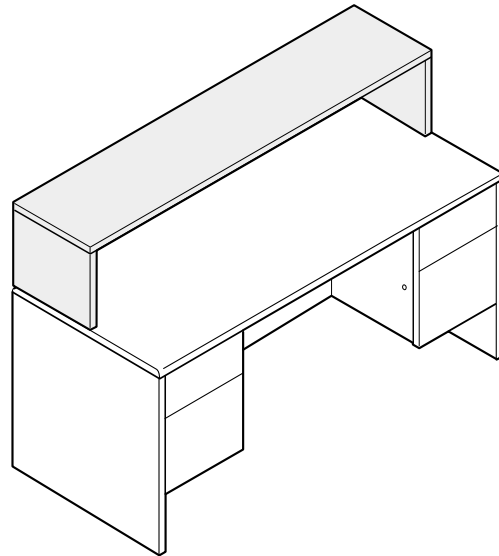
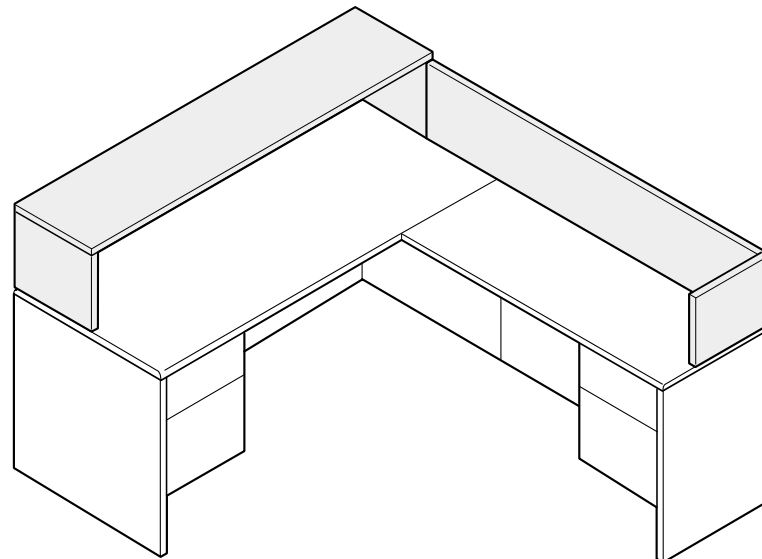


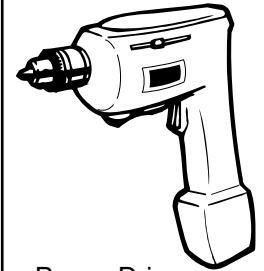
Walden - Transaction Top Units



Transaction Top
on a Double Ped Desk
(See page 2)



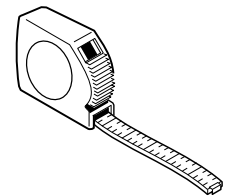
L-Shaped Transaction Top Unit on
a Single Ped Desk and a 42" Return
(See page 3)



Power Driver
with Phillips tip



#30 Drill Bit



If you have a problem, question, or request, call your local dealer, or Steelcase Line 1 at **888.STEELCASE** (888.783.3522) for immediate action by people who want to help you.

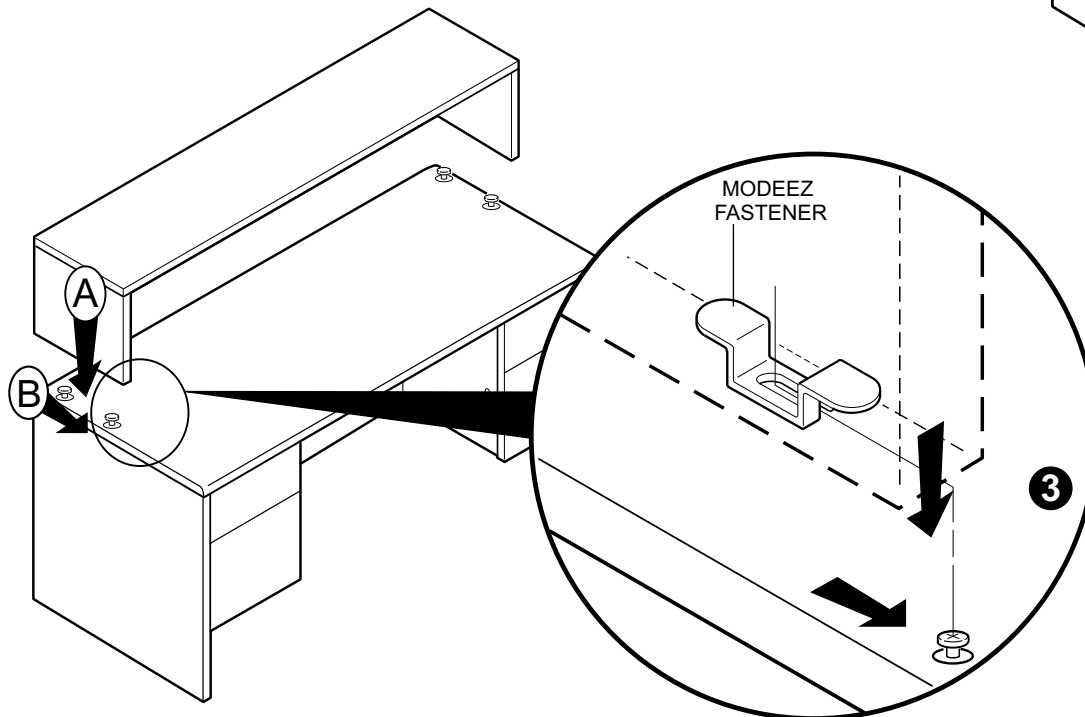
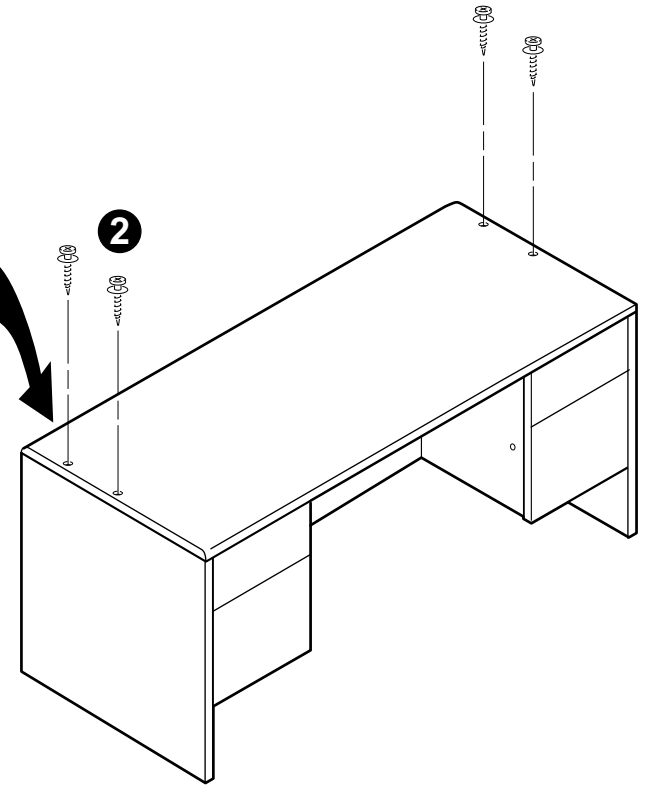
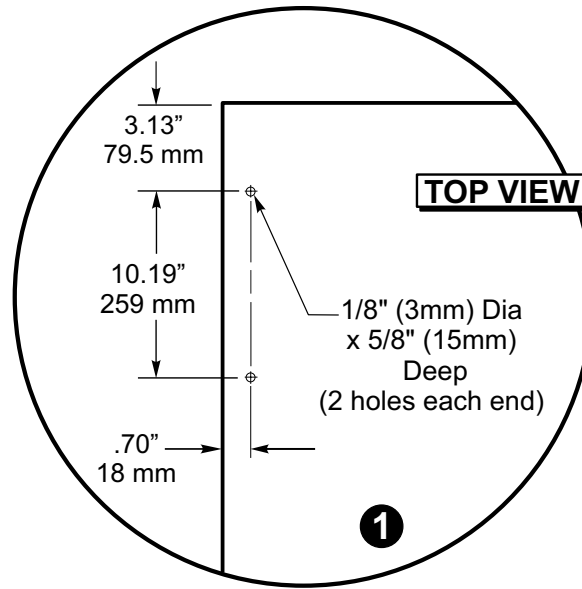
(Outside the U.S.A. Canada, Mexico, Puerto Rico, and the U.S. Virgin Islands, call: 1.616.247.2500) Or visit our website: www.steelcase.com

© 2002 Steelcase Inc.
Grand Rapids, MI 49501
U.S.A.

Printed in the U.S.A.

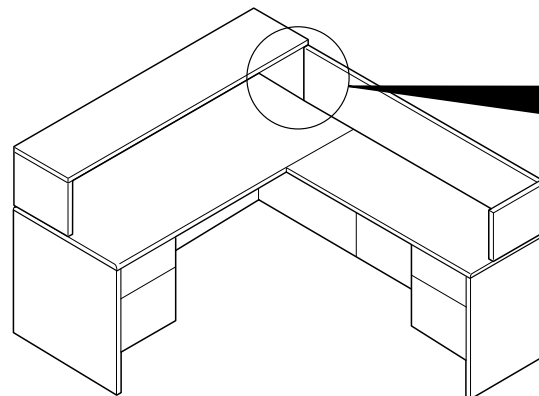
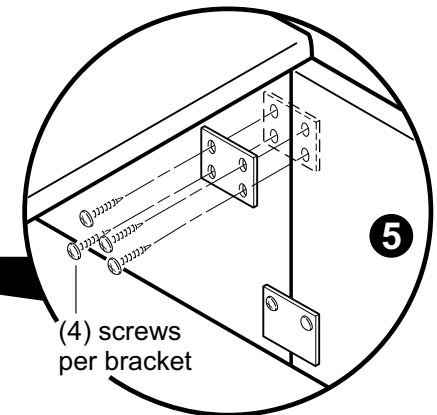
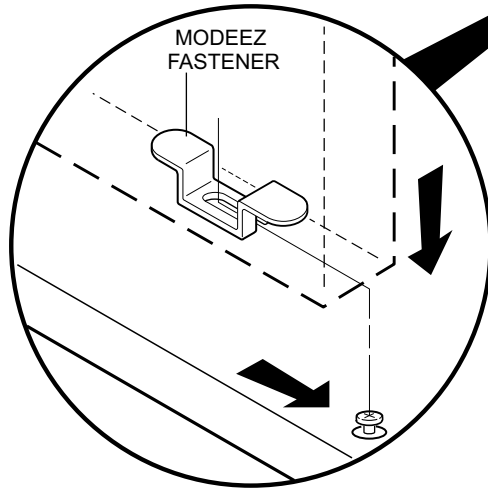
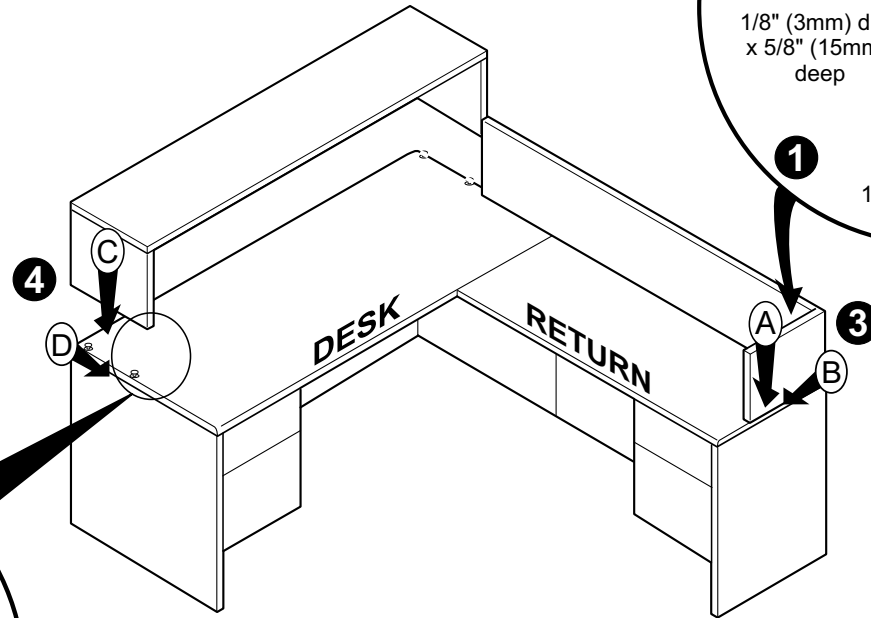
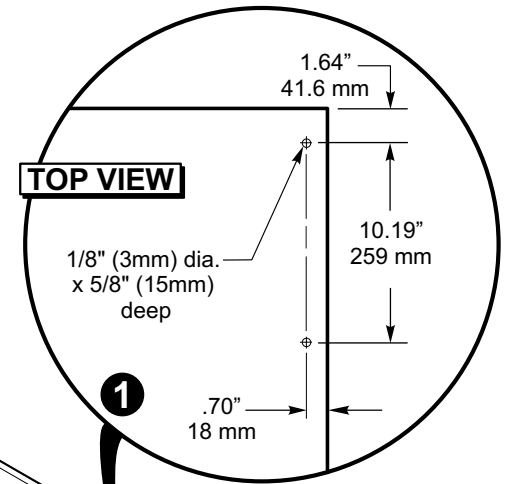
TRANSACTION TOP

1. Locate and drill (4) pilot holes in desk top.
2. Install (4) shoulder screws.
3. Lower transaction top so that (A) modeez fasteners are engaged over screws, then (B) slide forward until unit is securely seated.



L-SHAPED TRANSACTION TOP

1. Drill (4) pilot holes in the **desk top** (refer to top view on page 2 for locations), and (2) pilot holes in the **return top**.
2. Install (6) shoulder screws.
3. Lower transaction top onto return so that (A) modeez fasteners are engaged over screws, then (B) slide forward until end of unit is securely seated.
4. Install other side of transaction top on desk.
5. Secure sections together with (2) mounting plates as shown.



TACKBOARD INSTALLATION (Tackboards Optional)

1. Peel paper backing from (6) Velcro strips on the back of each panel.
2. Press Tackboards firmly into place.

