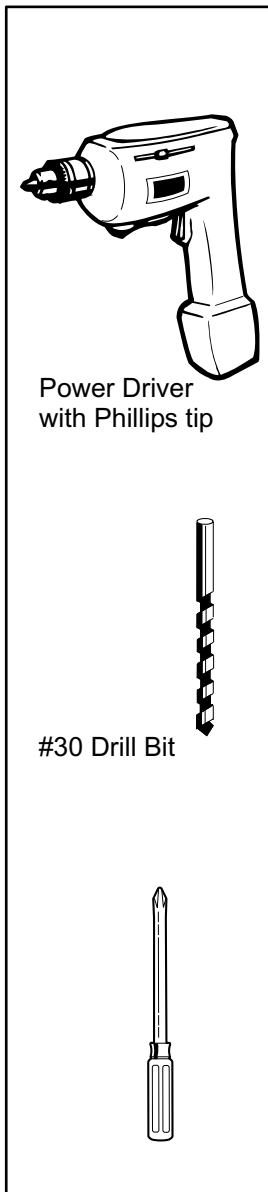
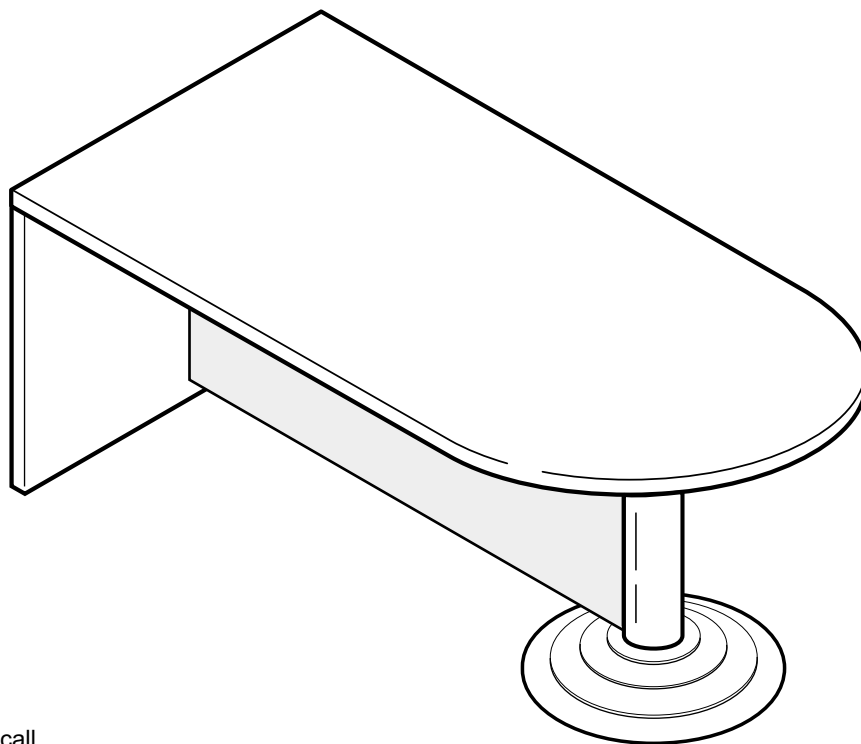


# Walden - Full Height Modesty Panel for 72" Bullet Top



Power Driver  
with Phillips tip

#30 Drill Bit

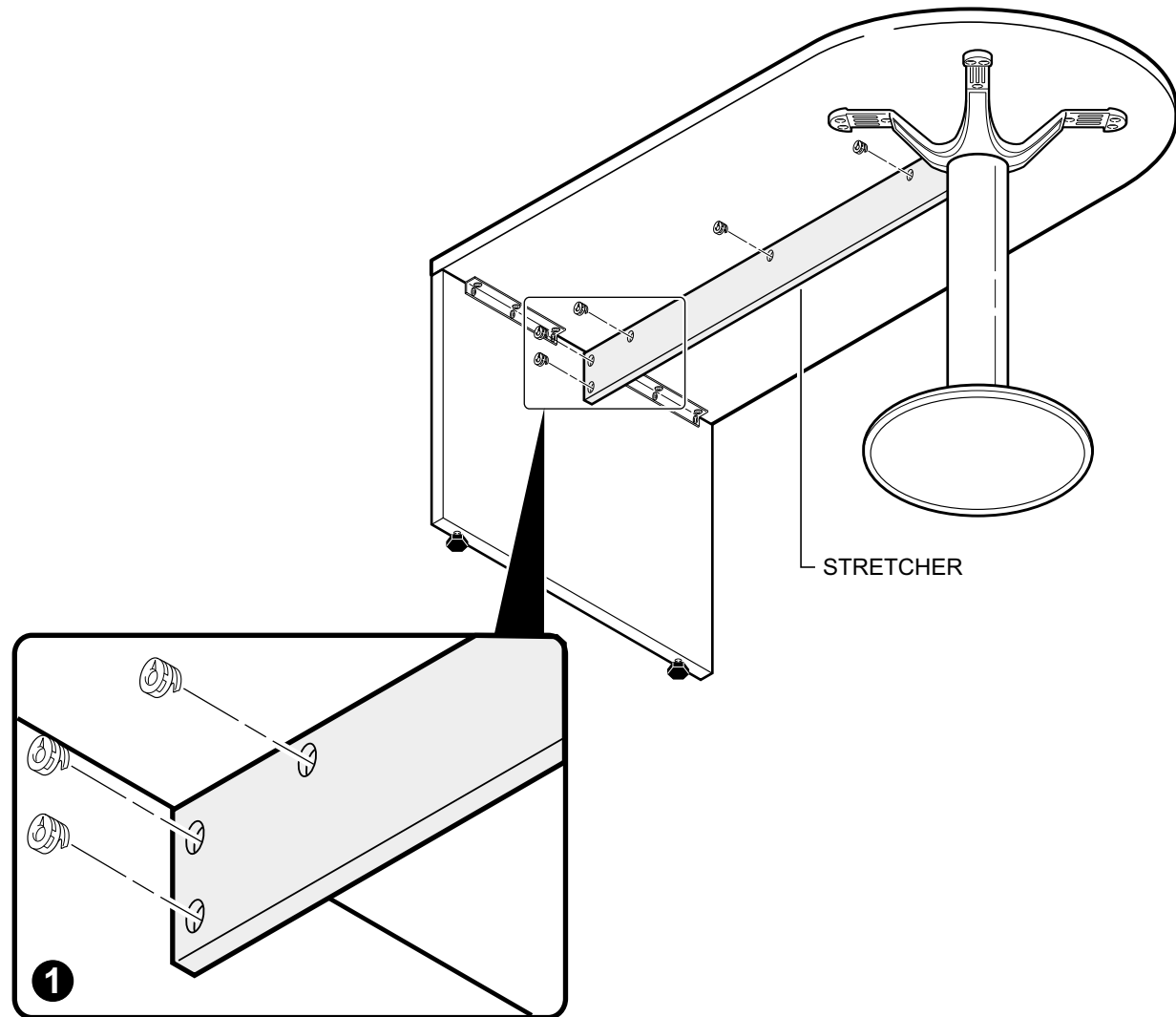
If you have a problem, question, or request, call your local dealer, or Steelcase Line 1 at **888.STEELCASE** (888.783.3522) for immediate action by people who want to help you.

(Outside the U.S.A. Canada, Mexico, Puerto Rico, and the U.S. Virgin Islands, call: 1.616.247.2500)  
Or visit our website: [www.steelcase.com](http://www.steelcase.com)

© 2002 Steelcase Inc.  
Grand Rapids, MI 49501  
U.S.A.

Printed in the U.S.A.

1. Remove existing stretcher by removing (5) cam locks as shown.



**2.** Install full modesty panel using (3) of the cam locks that were removed in step 1.

**3.** Secure modesty panel to end panel with 22" angle bracket.

