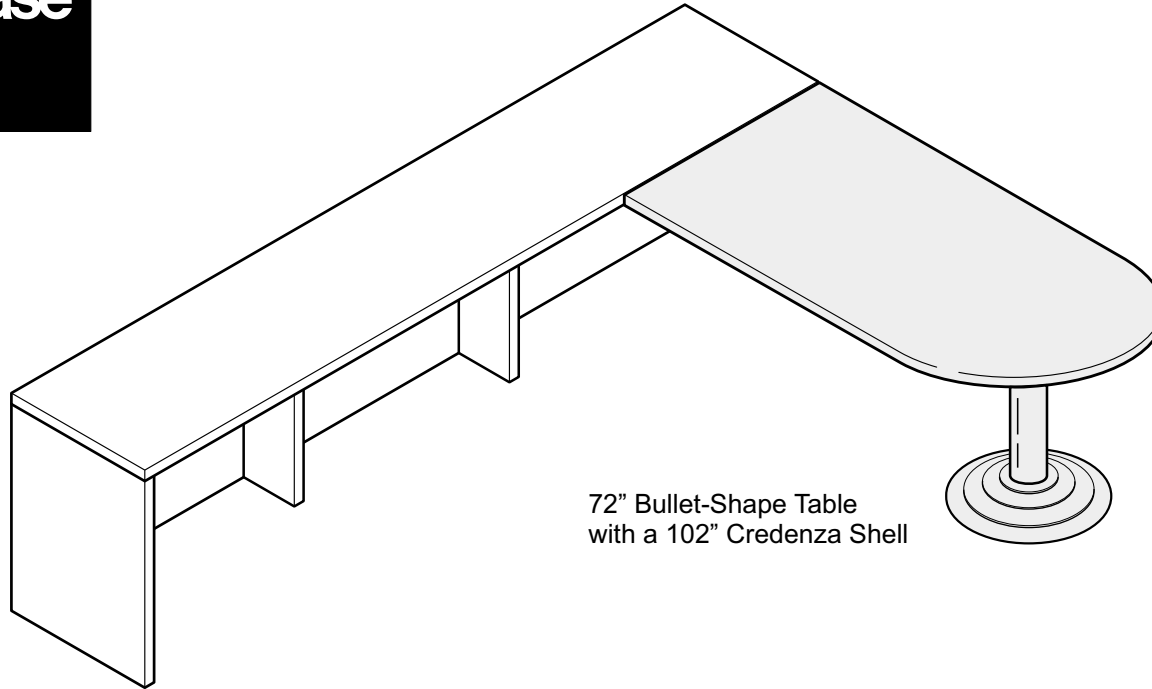
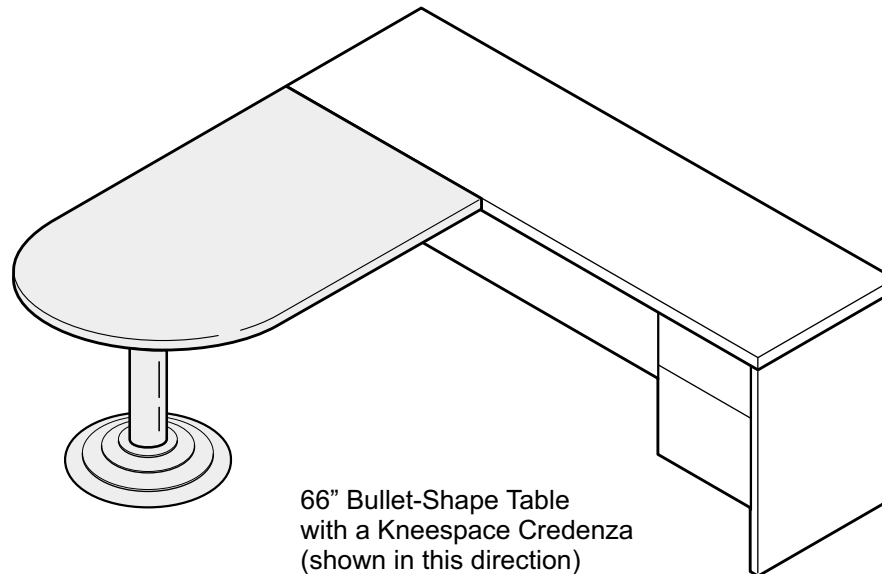


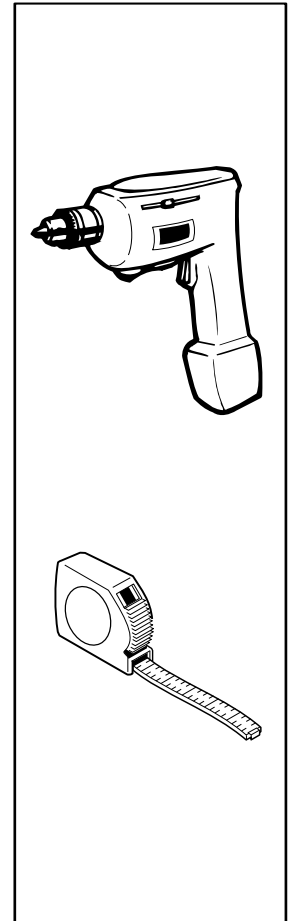
Walden - Bullet Shape Tables without End Panel



72" Bullet-Shape Table
with a 102" Credenza Shell



66" Bullet-Shape Table
with a Kneespace Credenza
(shown in this direction)

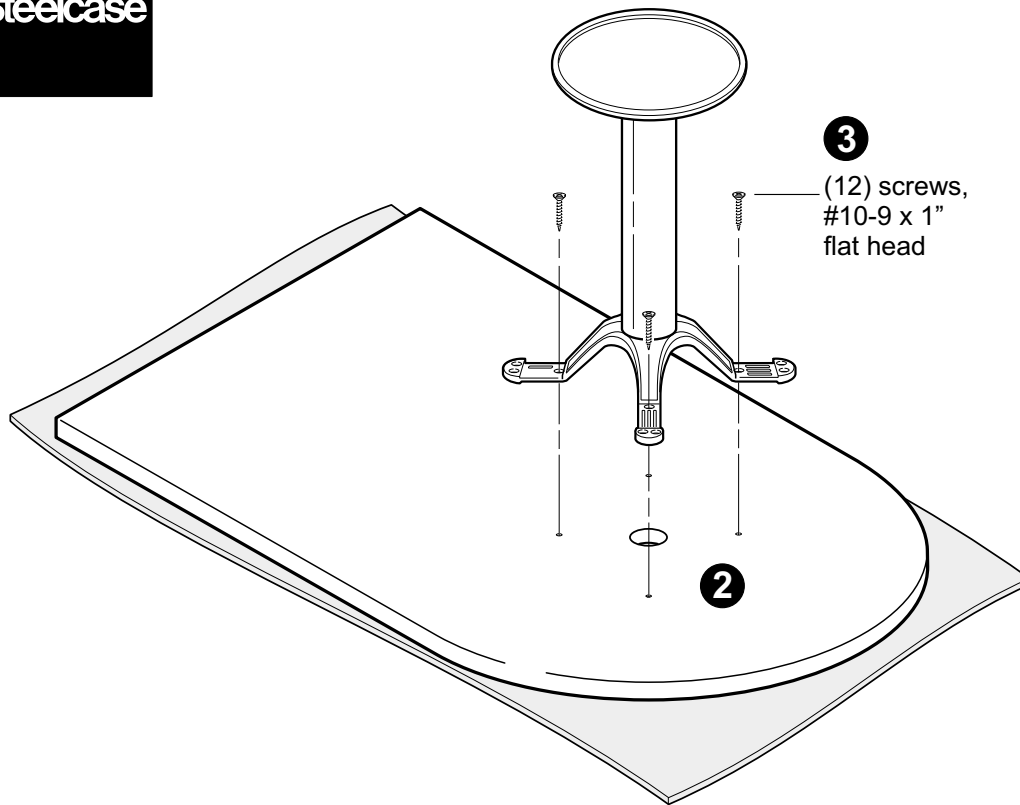


If you have a problem, question, or request, call your local dealer, or Steelcase Line 1 at **888.STEELCASE** (888.783.3522) for immediate action by people who want to help you.

(Outside the U.S.A. Canada, Mexico, Puerto Rico, and the U.S. Virgin Islands, call: 1.616.247.2500) Or visit our website: www.steelcase.com

© 2002 Steelcase Inc.
Grand Rapids, MI 49501
U.S.A.

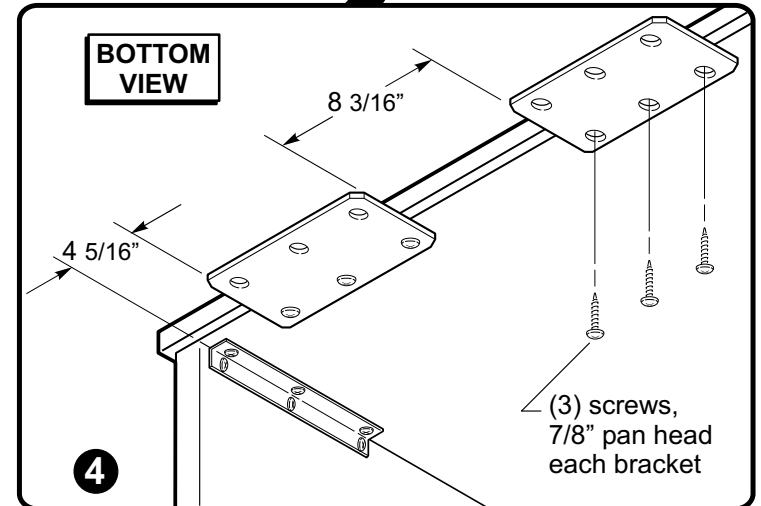
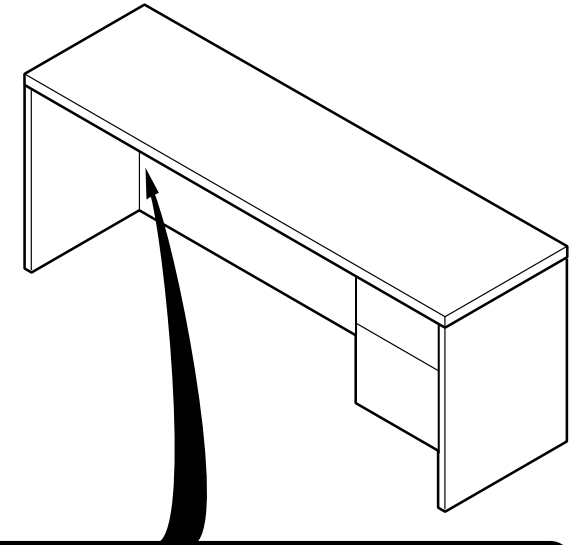
Printed in the U.S.A.



3
 (12) screws,
 #10-9 x 1"
 flat head

2

1. Carefully turn top over onto carpet.
2. Locate base assembly with (4) predrilled holes.
3. Secure with (12) screws provided.
4. Install (2) connector plates to underside of credenza as shown.



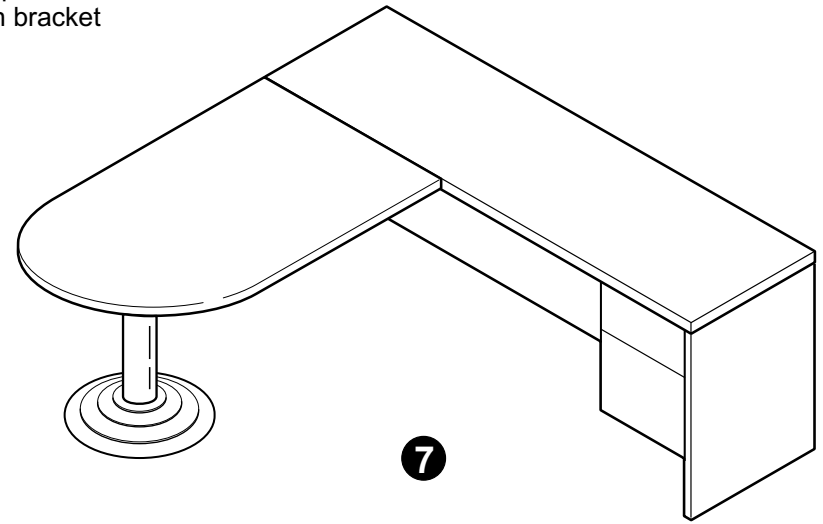
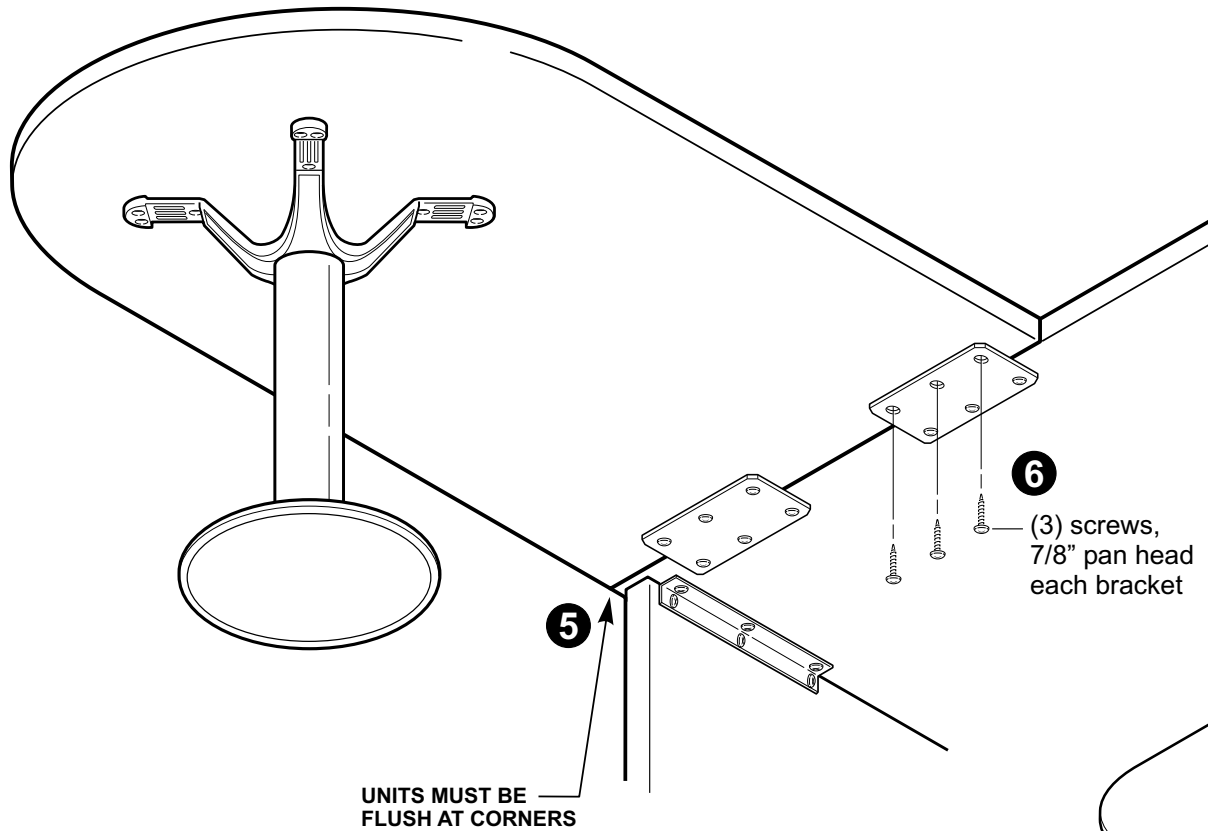
**BOTTOM
 VIEW**

8 3/16"

4 5/16"

(3) screws,
 7/8" pan head
 each bracket

4



5. Carefully turn bullet assembly over and position with credenza.
6. Secure to connector plates as shown.
7. Adjust levelers as needed.