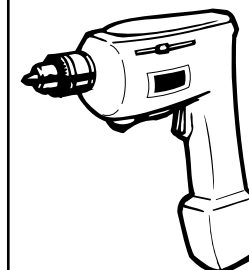
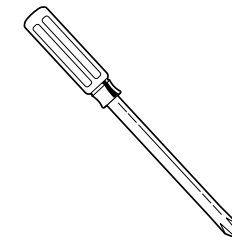
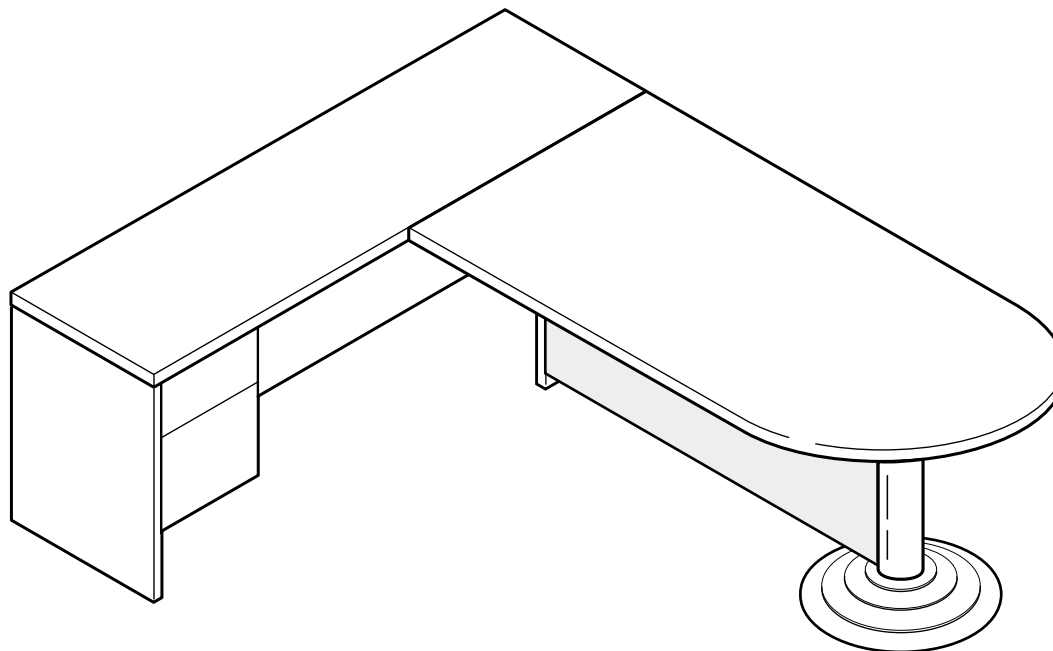


Walden - 48" and 60" Full Height Modesty Panel for Runoff Bullet



Power Driver
with Phillips tip

If you have a problem, question, or request, call your local dealer, or Steelcase Line 1 at **888.STEELCASE** (888.783.3522) for immediate action by people who want to help you.

(Outside the U.S.A. Canada, Mexico, Puerto Rico, and the U.S. Virgin Islands, call: 1.616.247.2500)
Or visit our website: www.steelcase.com

© 2002 Steelcase Inc.
Grand Rapids, MI 49501
U.S.A.

Printed in the U.S.A.

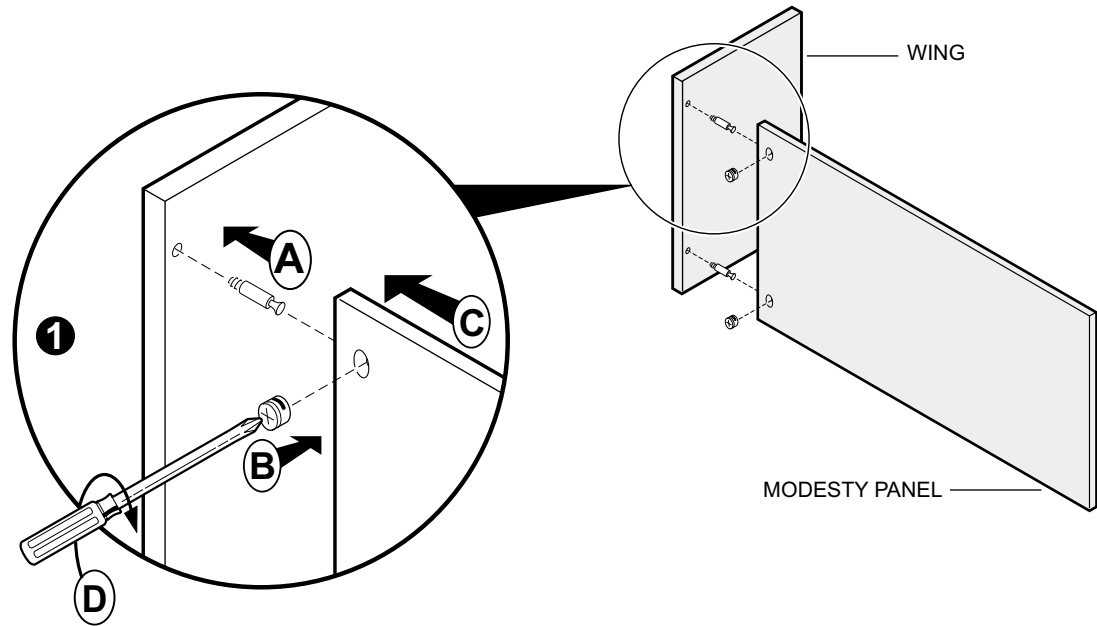
1. Attach wing to modesty panel.

A - Install (2) minifix bolts to wing.

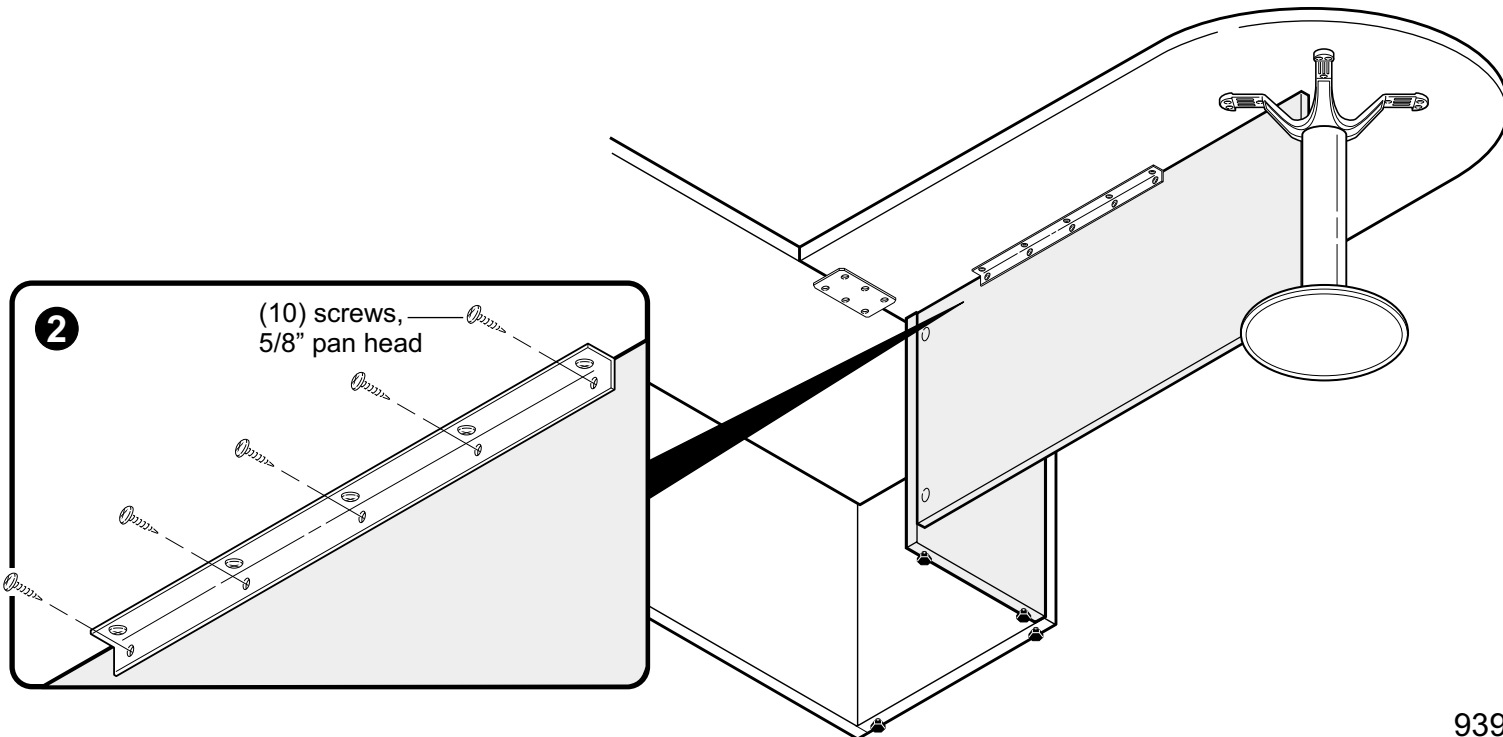
B - Place (2) cams into holes in mod panel.

C - Move mod panel into position with wing.

D - Secure with a half turn of cams.



2. Center mod panel under top then secure with angle bracket (22" for 60" top, 12" for 48" top).



3. Secure wing to end panel with 22" bracket as shown.

