

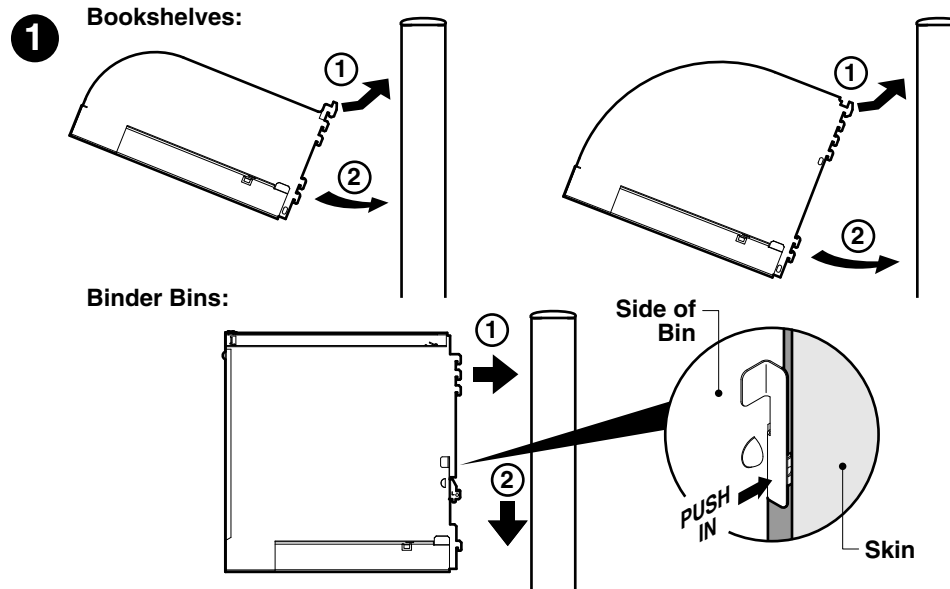
If you have a problem, question, or request, call your local dealer, or Steelcase Line 1 at **888.STEELCASE** (888.783.3522) for immediate action by people who want to help you.

(Outside the U.S.A., Canada, Mexico, Puerto Rico, and the U.S. Virgin Islands, call: 1.616.247.2500)
Or visit our website: www.steelcase.com

© 2007 Steelcase Inc.
Grand Rapids, MI 49501
U.S.A.

Printed in U.S.A.

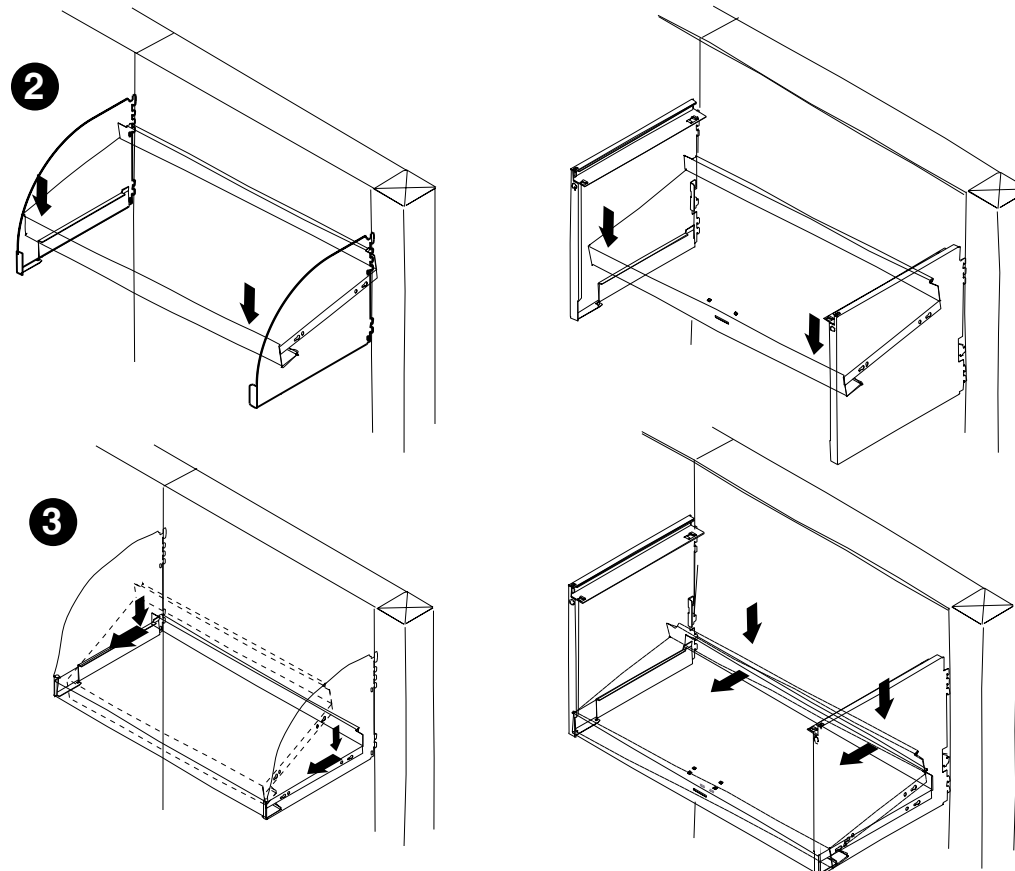
Steelcase



Step 1:
Insert end supports at the same level; ensure safety tabs are engaged on binder bin end supports.

Step 2:
Angle shelf into support. Ensure front shelf flange is engaged in end support clasp.

Step 3:
Slide shelf forward into front clasp. Push down on back of shelf until fully seated.



Steelcase

Step 4:

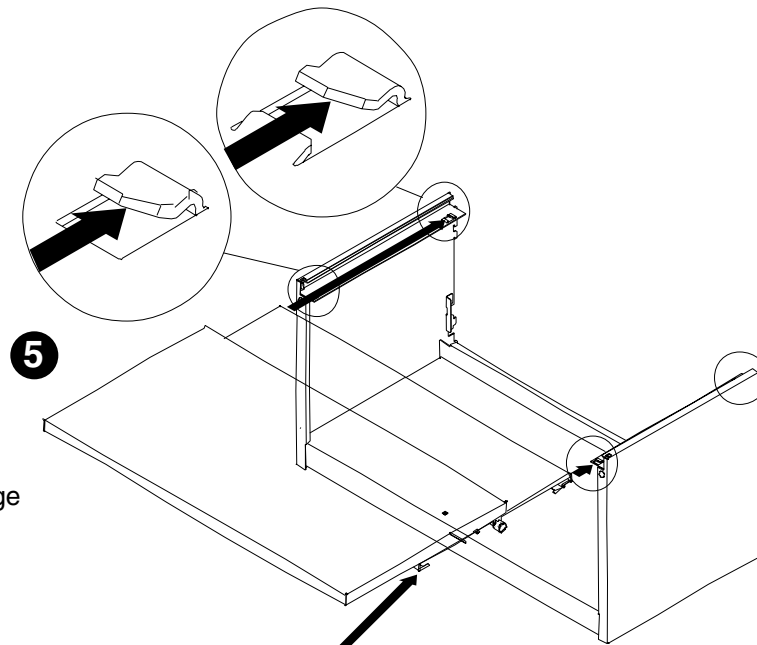
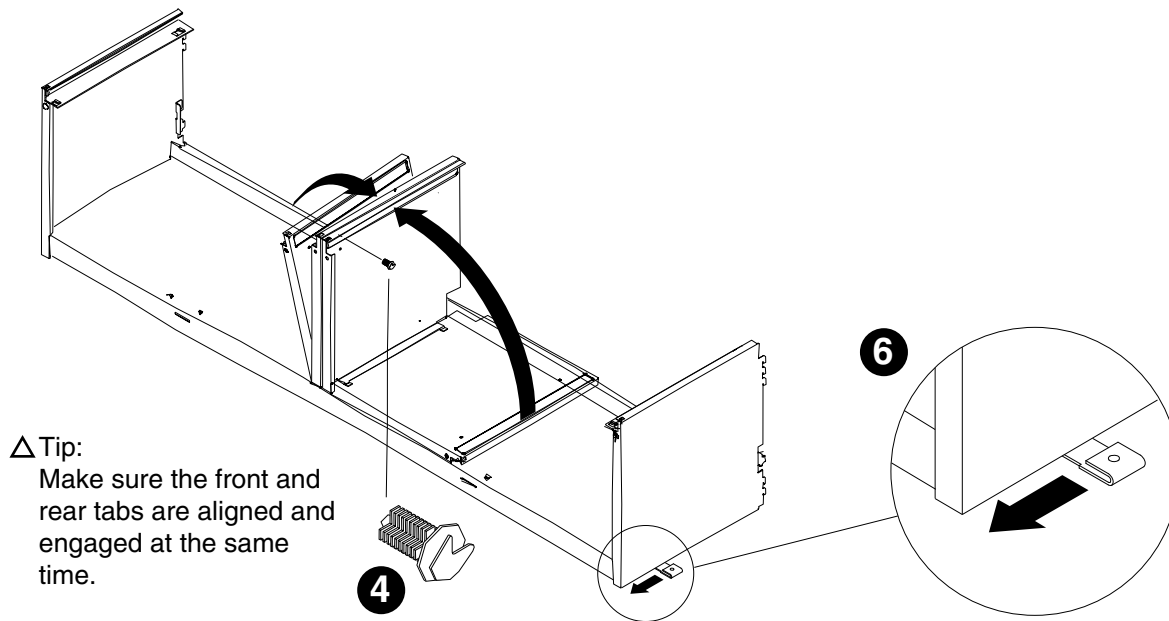
Two Door Version Only.
Engage middle supports tab into slots. Tip middle supports together and secure.

Step 5:

Slide door assembly into top of supports. Engage dust cover into tabs.

Step 6:

Use clip to gang binder bins together in a side by side application.



Step 7:

To disengage the door assembly push up on the rear dust cover ledge and pull out.

△ Tip:

Bin alignment

- Ensure panels/wall tracks are level and plumb

Door function, check for:

- bow in dust cover
- lubricant on equalizer door tracks
- dust cover properly engaged in door track

