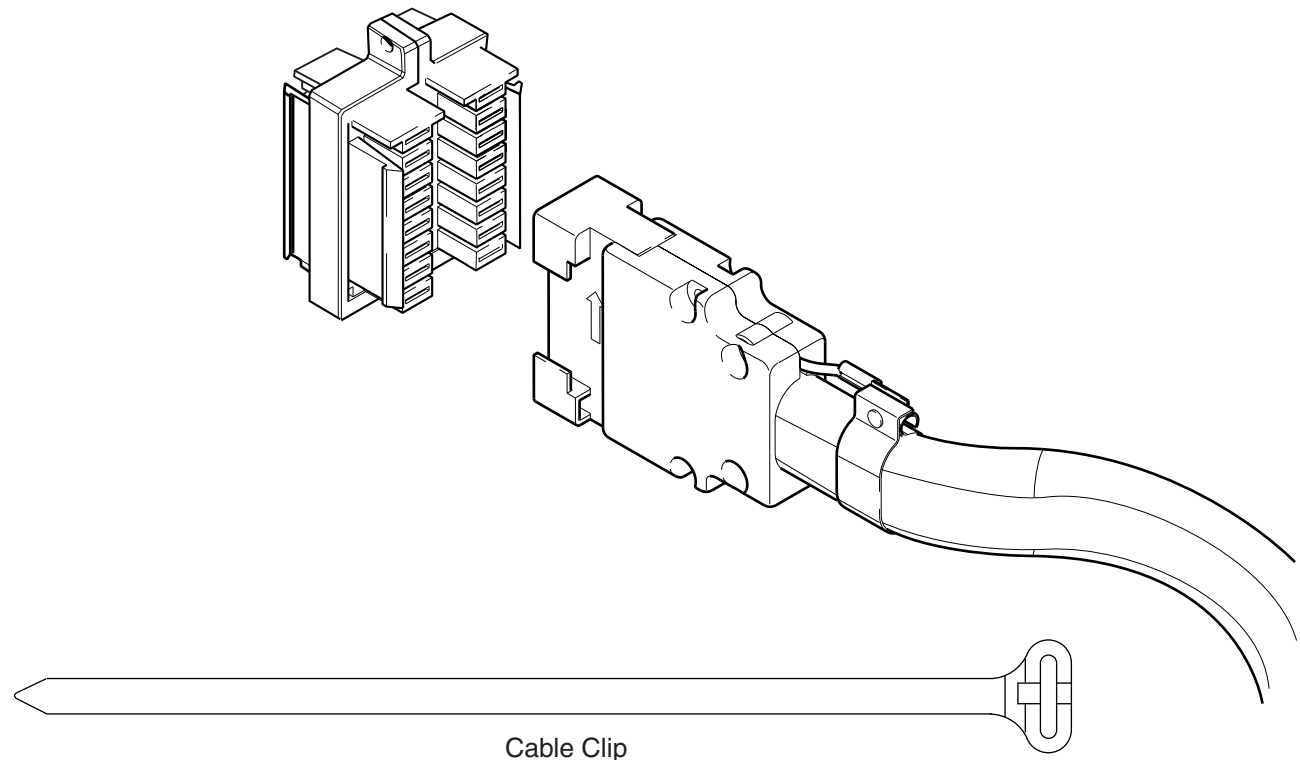


NOTE: With an off module application involving the transition of cabling or electrical harnesses, you will have to drill a maximum of a 2.5" hole in the beltway trim piece to allow for cable and/or electrical harnesses to pass through. When the off module connection involves two 4" Segment frames, the Light Seal piece from the connecting frame will also have to be cut in a similar fashion. Reference assembly direction 939504712 for more details.

NOTE: MUST BE INSTALLED IN ACCORDANCE WITH NEC & LOCAL CODES



If you have a problem, question, or request, call your local dealer, or Steelcase Line 1 at **888.STEELCASE** (888.783.3522) for immediate action by people who want to help you.

(Outside the U.S.A., Canada, Mexico, Puerto Rico, and the U.S. Virgin Islands, call: 1.616.247.2500)

Or visit our website: [www.steelcase.com](http://www.steelcase.com)

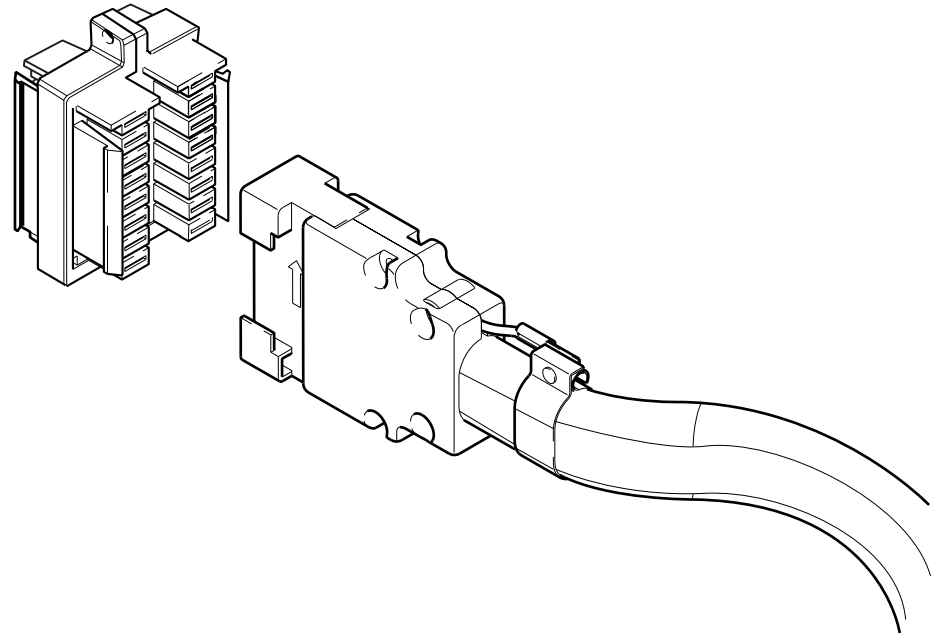
© 2000 Steelcase Inc.

Grand Rapids, MI 49501

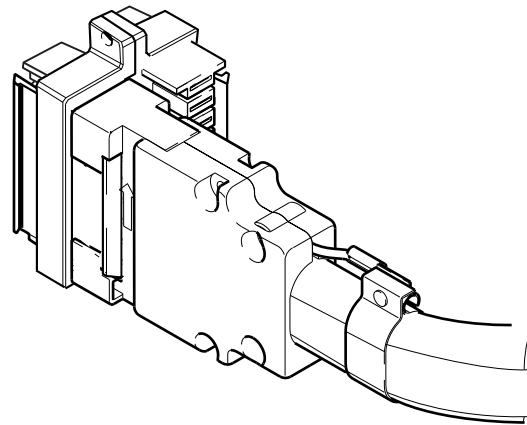
U.S.A.

Printed in U.S.A.

1. Align making sure arrows face up.

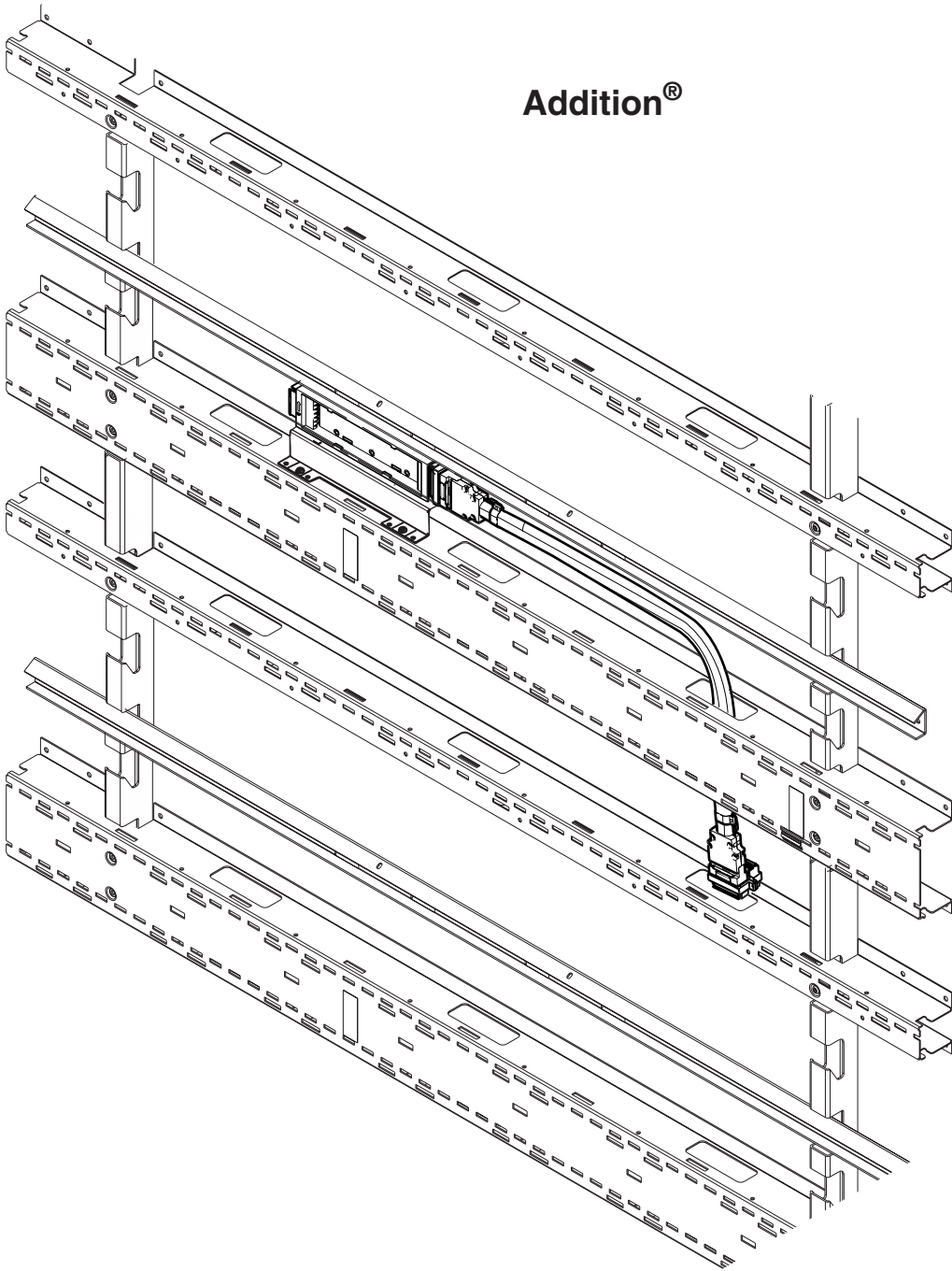


2. Engage by snapping together.

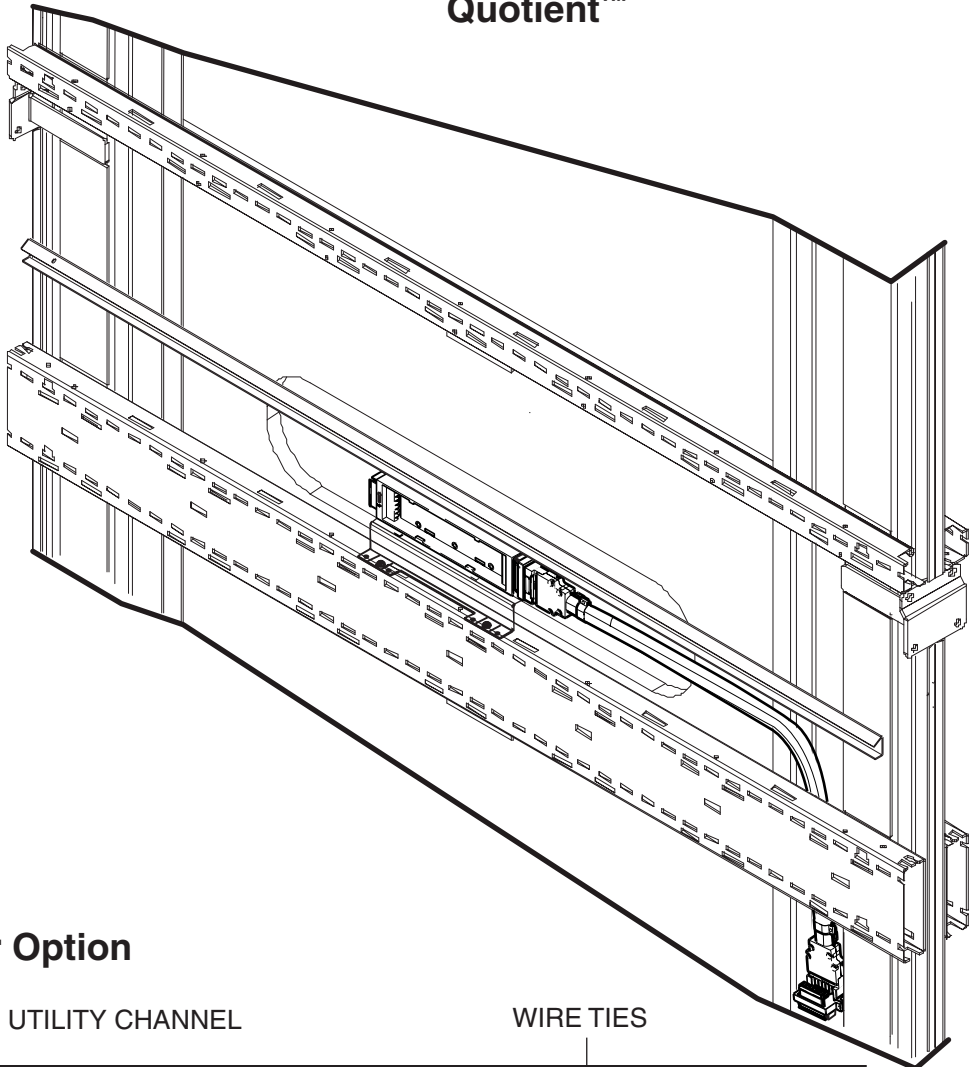


3.

Addition®



Quotient™



Other Option

