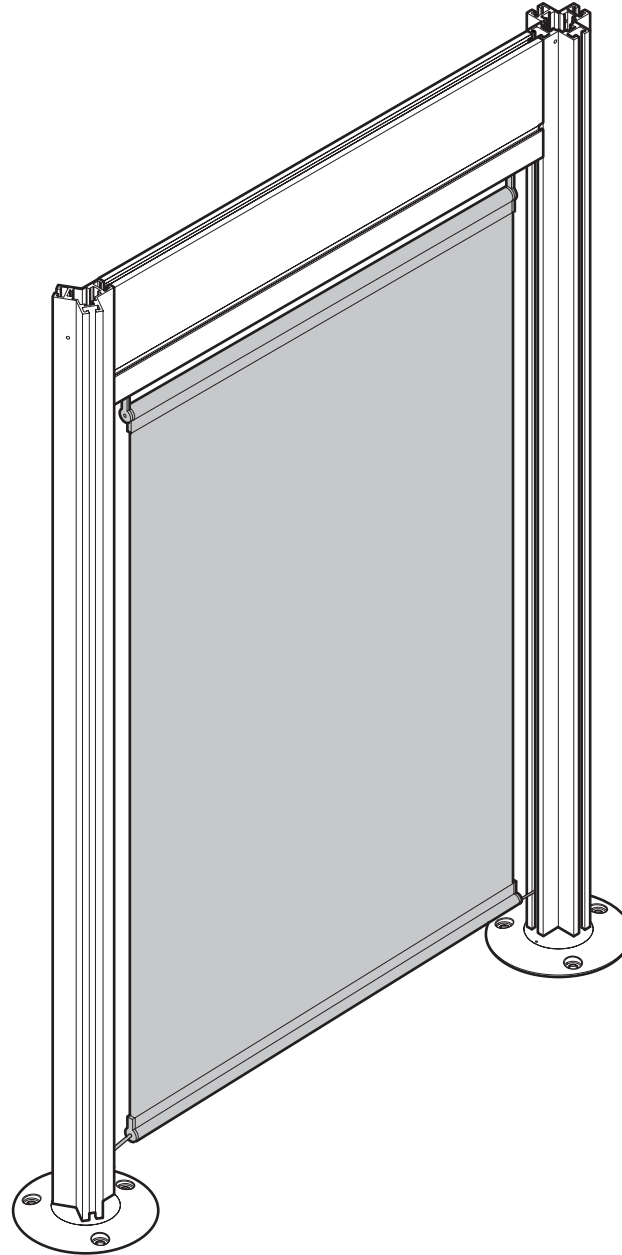


Post and Beam - Soft Infill Assembly and Accessory Hook

NOTE: Due to the nature of this material, vertical waves may occur in larger panels.



If you have a problem, question, or request, call your local dealer, or Steelcase Line 1 at **888.STEELCASE** (888.783.3522) for immediate action by people who want to help you.

(Outside the U.S.A., Canada, Mexico, Puerto Rico, and the U.S. Virgin Islands, call: 1.616.247.2500)

Or visit our website: www.steelcase.com

© 2001 Steelcase Inc.
Grand Rapids, MI 49501
U.S.A.

Printed in U.S.A.

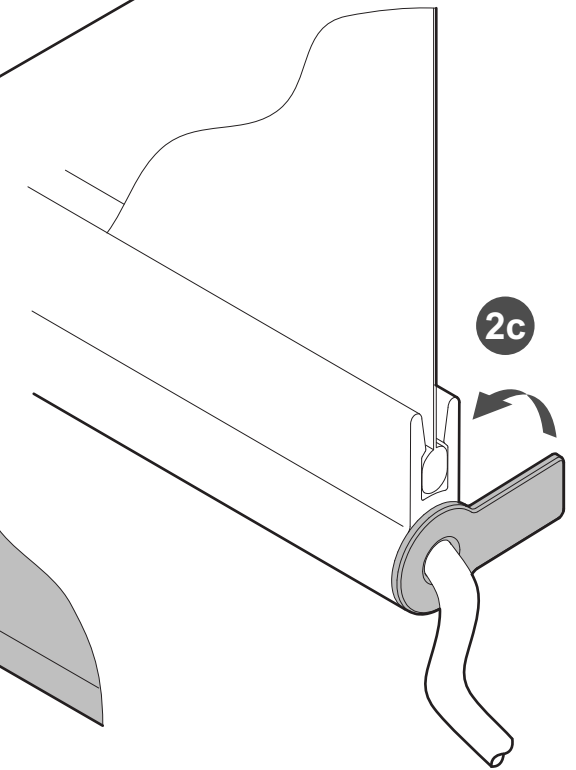
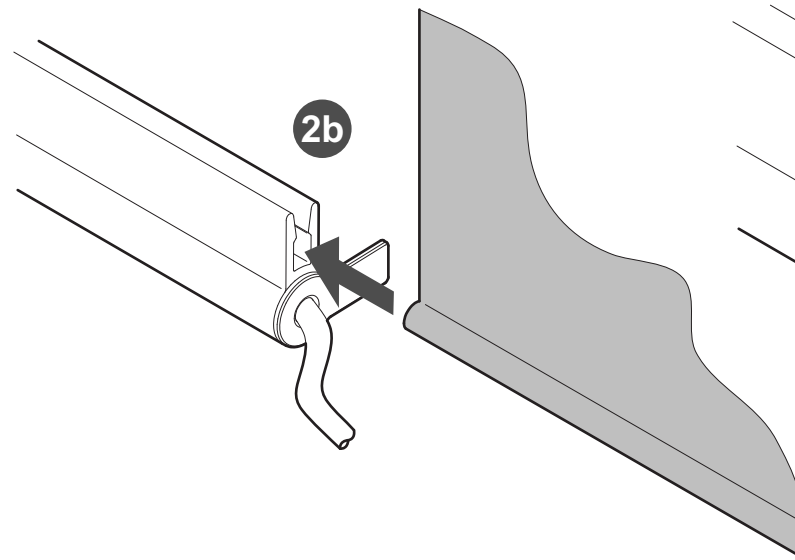
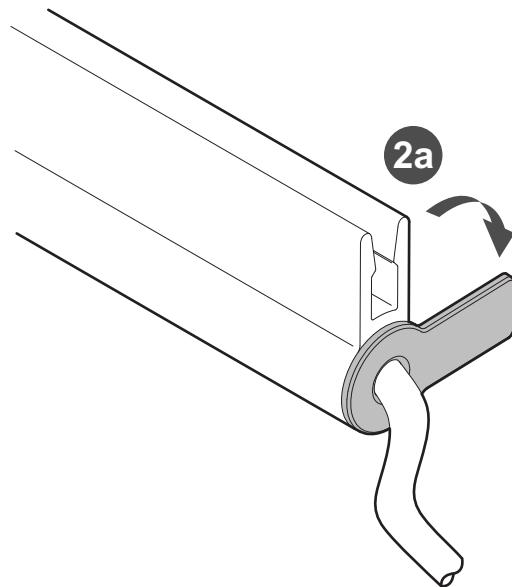
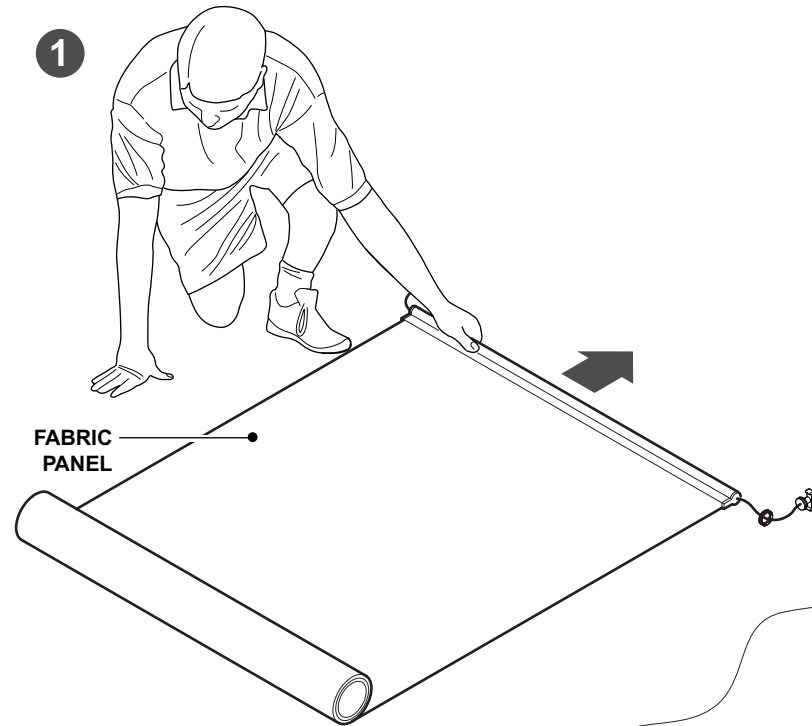
Soft Infill Assembly

1. Unroll fabric panel to expose the bottom extrusion assembly.

2a. Rotate the end cap on one side of the bottom extrusion enough to...

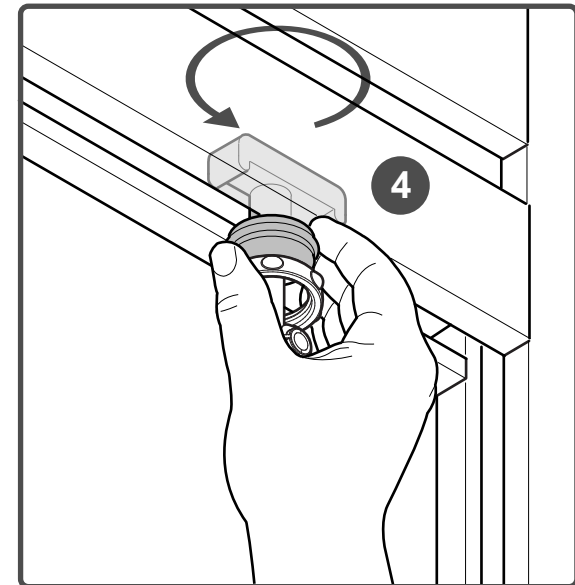
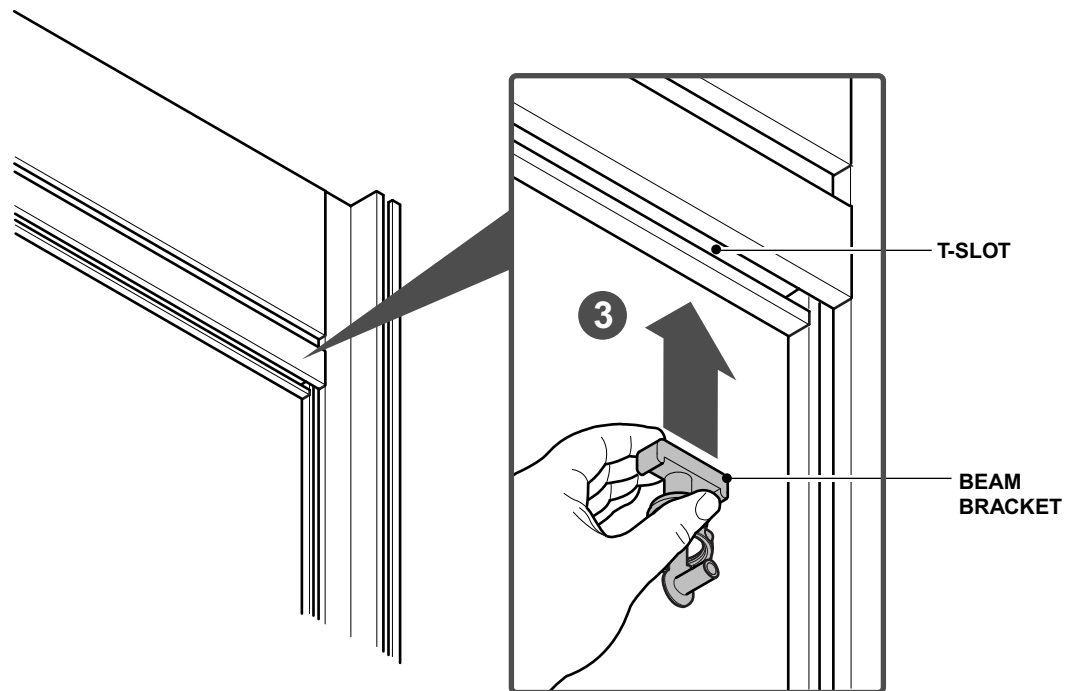
2b. ...slide the bottom extrusion onto the fabric panel.

2c. Rotate the end cap back into position.

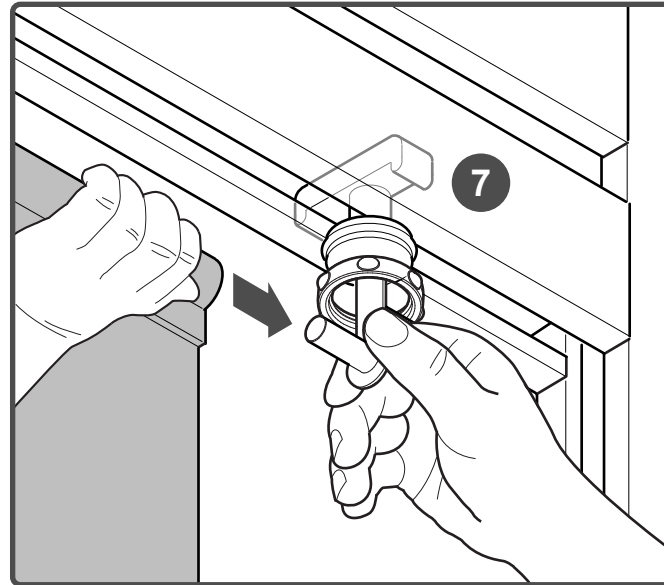


3. Insert beam bracket into the beam T-slot.

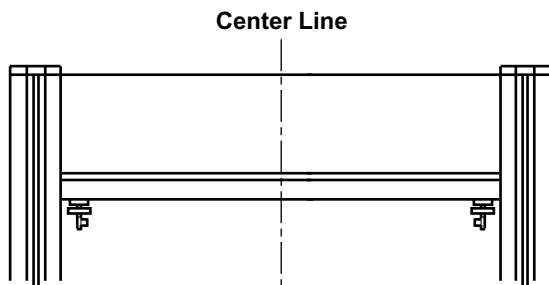
4. After panel bracket is inserted into beam T-slot, turn bracket one quarter turn. **DO NOT TIGHTEN LOCKING COLLAR YET.** The beam brackets must remain loosely attached as to allow play when attaching the fabric panel. Repeat for other beam bracket installation.



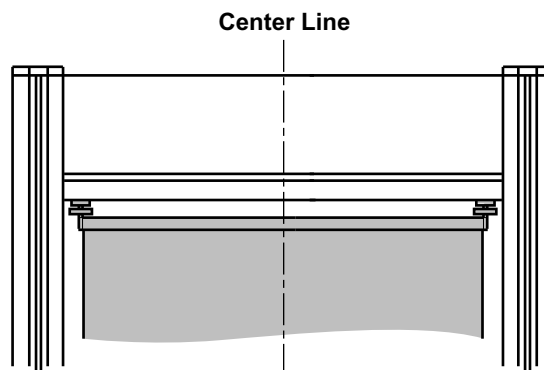
5. Roughly center the brackets between the two posts.
6. Raise the fabric panel so it is next to the beam bracket.
7. While holding beam bracket in place, attach end of panel to beam bracket so it fits snugly in place. Repeat for other side of fabric panel.
8. After attaching both ends of the fabric panel to the beam brackets, make sure the panel is centered between the two posts before tightening the locking collars.



5 Beam Bracket Locations



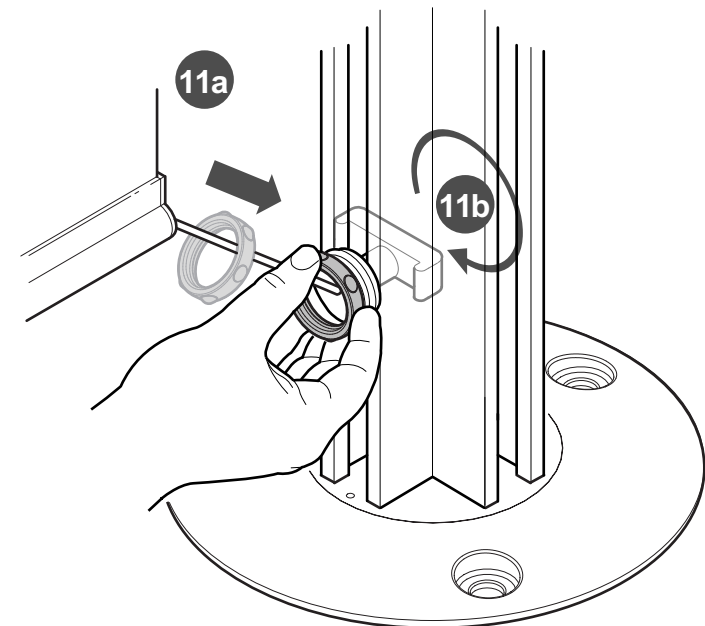
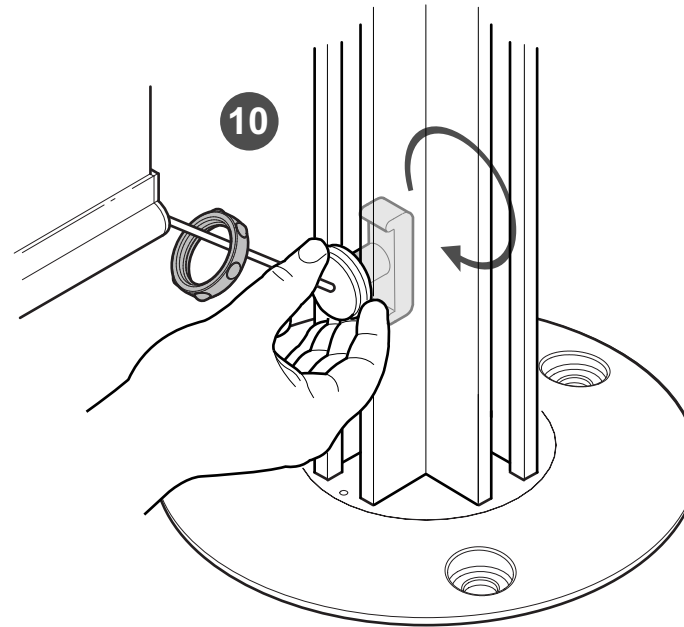
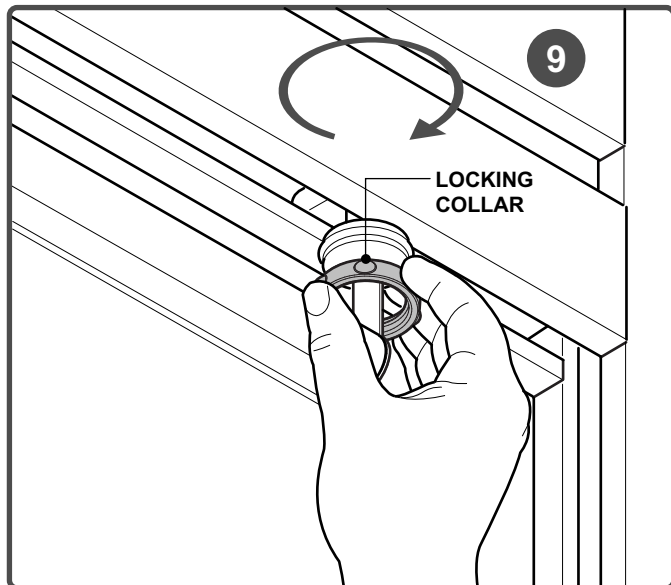
8 Beam Bracket Locations with Fabric Panel Loosely Installed



9. Place the locking collar over threaded area of the bracket and tighten until the bracket fits snugly against the beam. Repeat this procedure for the other locking collar.

10. For installation of bottom fabric panel, insert beam bracket into beam T-slot. Turn beam bracket one-quarter turn.

11. Slide locking collar down the bungee cord (11a) and place the locking collar over threaded area of the bracket and tighten until the bracket fits snugly against the beam (11b). Repeat this entire installation for the other side of the fabric panel.



Accessory Hook Assembly

NOTE: Maximum capacity of the accessory hook is 50 pounds per hook.

1. Thread the locking collar onto the accessory hook.
2. Load the accessory hook into the bottom of the beam T-slot.
3. Turn 90 degrees to establish the final position of the accessory hook.
4. Hand tighten the locking collar to fix the position of the accessory hook.

