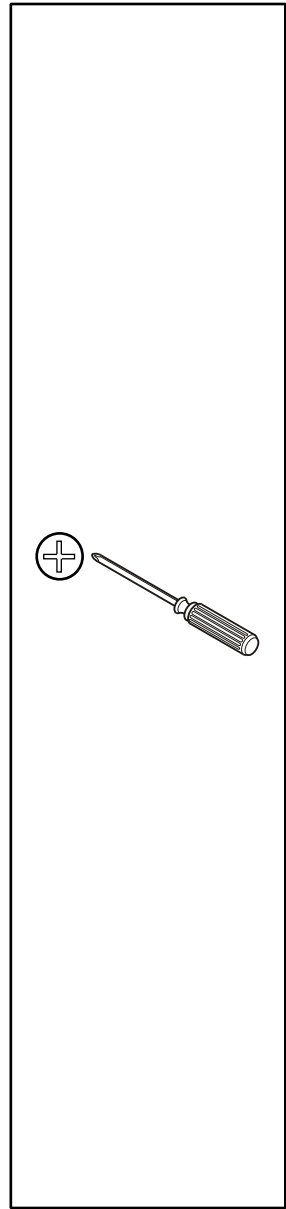
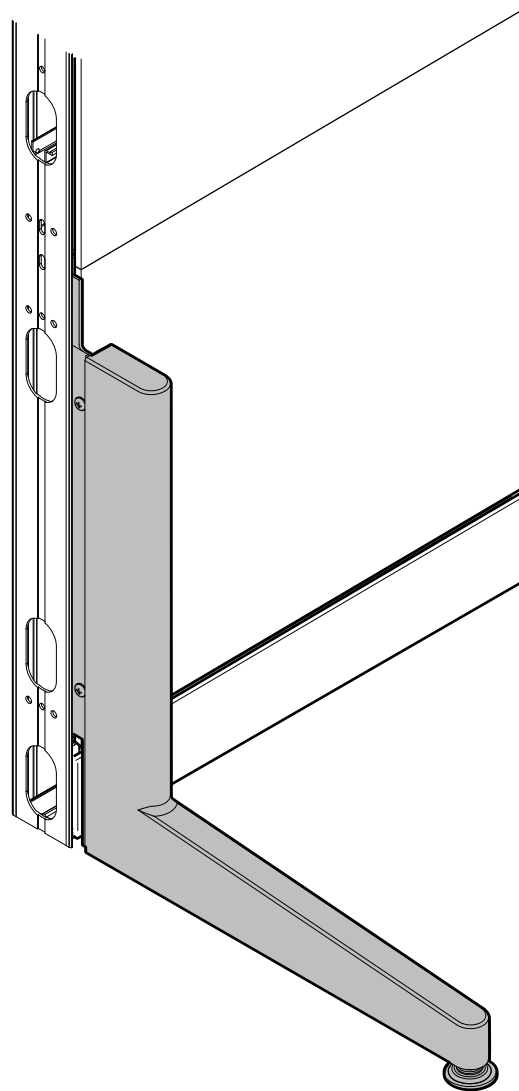


Buttress (Support Foot) For Use On Montage®



If you have a problem, question, or request, call your local dealer, or Steelcase Line 1 at **888.STEELCASE** (888.783.3522) for immediate action by people who want to help you.

(Outside the U.S.A., Canada, Mexico, Puerto Rico, and the U.S. Virgin Islands, call: 1.616.247.2500)

Or visit our website: www.steelcase.com

© 2003 Steelcase Inc.
Grand Rapids, MI 49501
U.S.A.

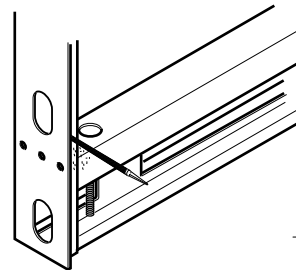
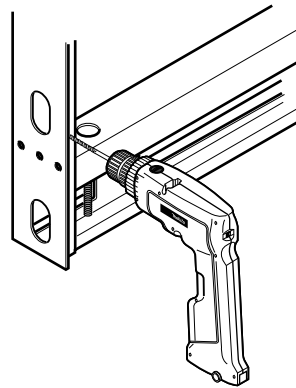
Printed in U.S.A.

CAUTION: The buttress is to be used in accordance with stability criteria referred to in the specification guide.

NOTE: Assembly can be achieved without removal of skins or trims.

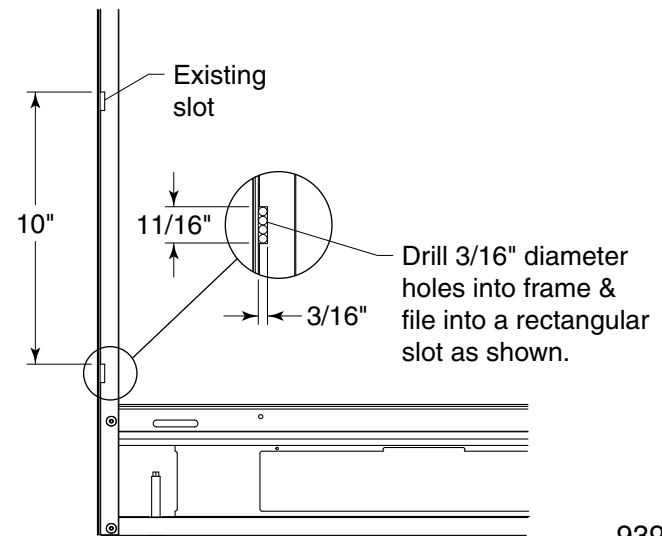
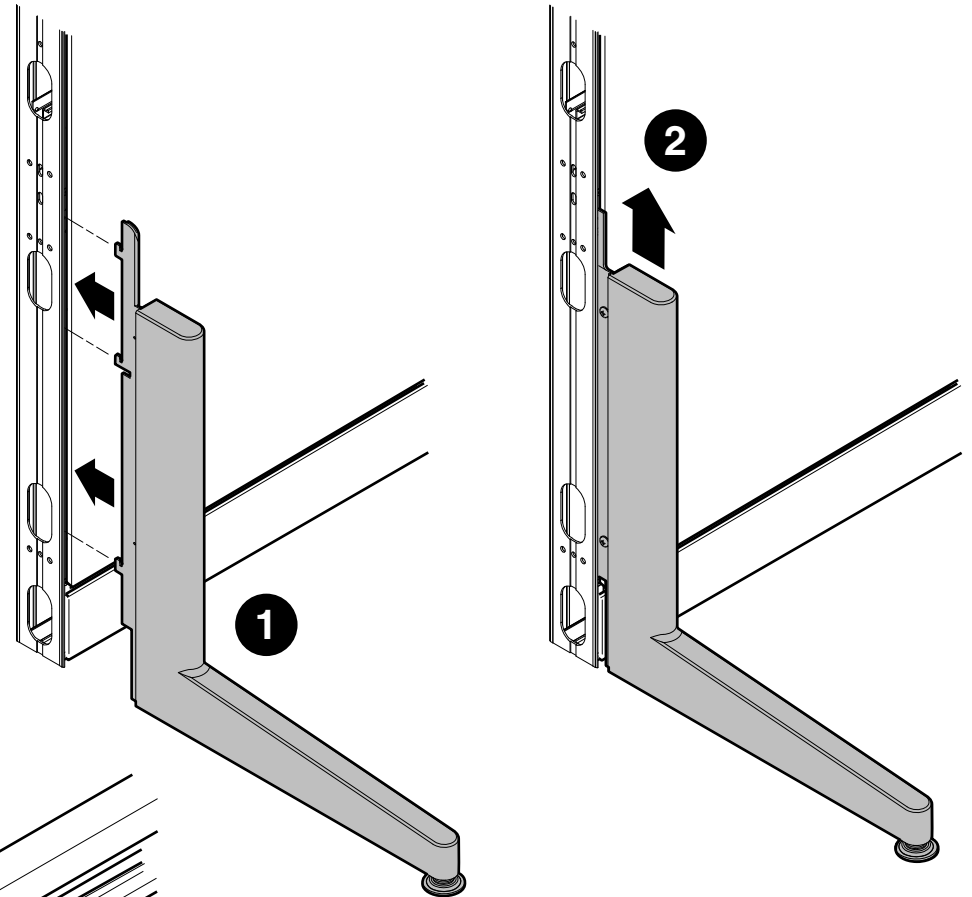
1. Choose slot in panel vertical such that the bottom edge of buttress will be flush to the bottom of the panel and engage hooks into slots in panel.

2. Lift up on the buttress causing all hooks to engage into the slots on the panel.



This buttress is intended for use on Montage frames manufactured after February 1st 2004 which have an additional slot located approx. 6" above the bottom of the frame.

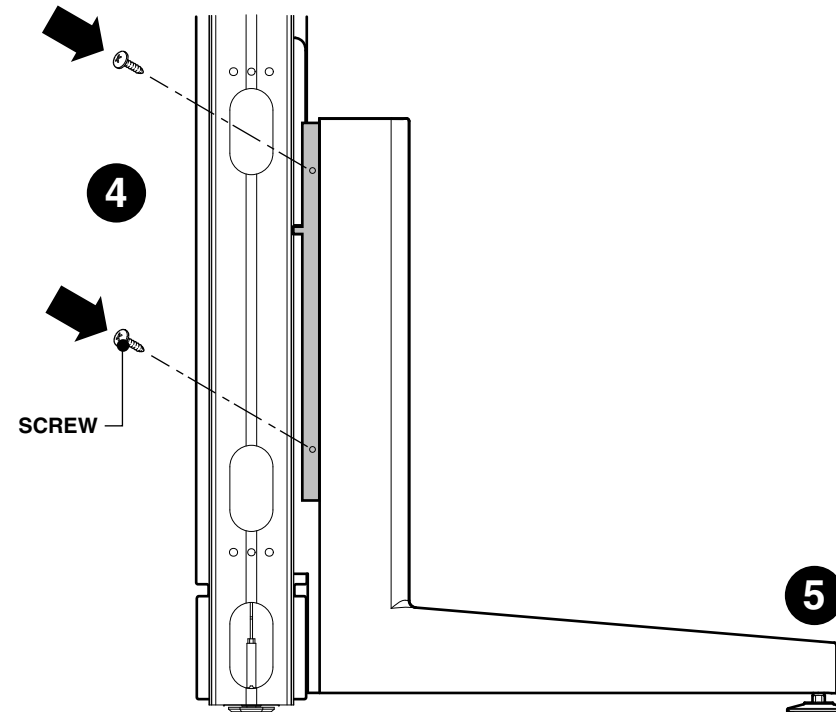
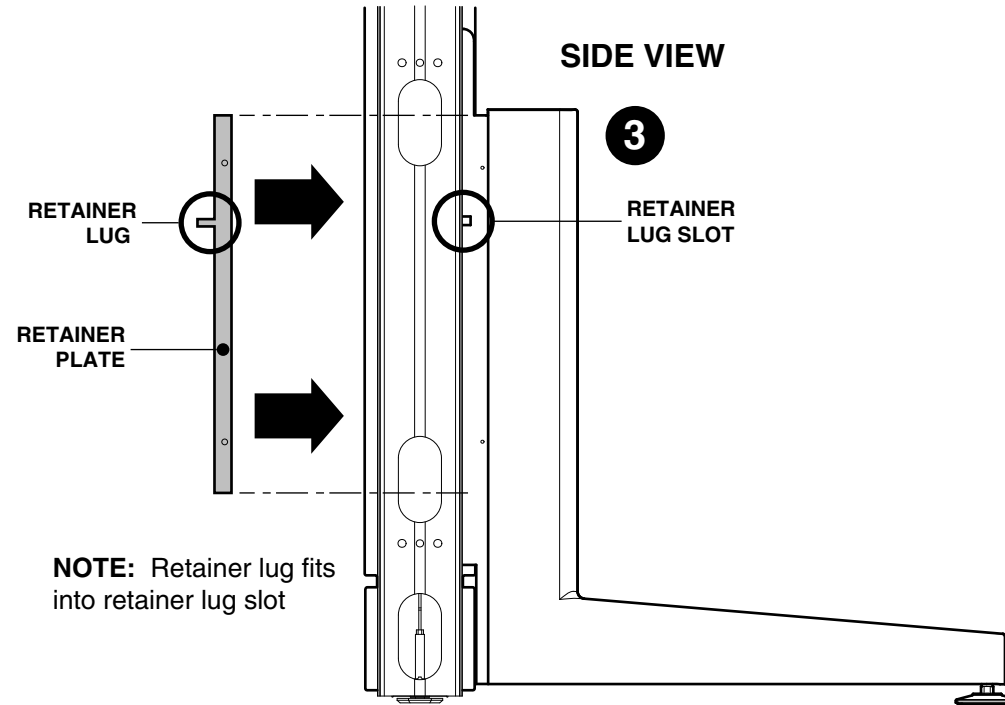
Under no circumstances should the bottom attachment hook be removed in order to permit assembly. Alternatively, a slot must be cut into the frame per the figures above.



3. Place retainer plate over the back bracket so the retainer lug inserts into the retainer lug slot.

4. Install screws which fix the retainer plate to the back bracket.

5. Adjust glide.



Converting Buttruss from Left Hand to Right Hand Configuration

1. Remove screws.

NOTE: Buttruss comes with left hand mounting bracket installed. Right hand mounting bracket comes loose in box.

2. Remove left hand buttruss mounting bracket and replace with right hand buttruss mounting bracket. Replace screws and torque to 72 in/lbs.

