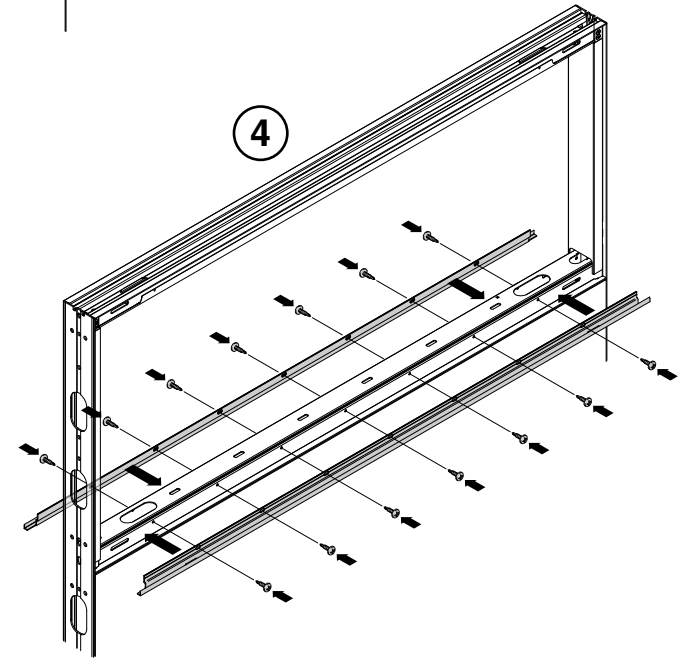
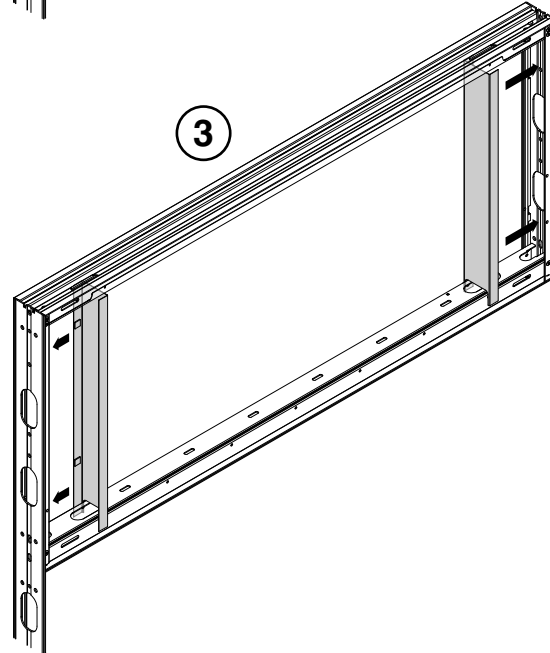
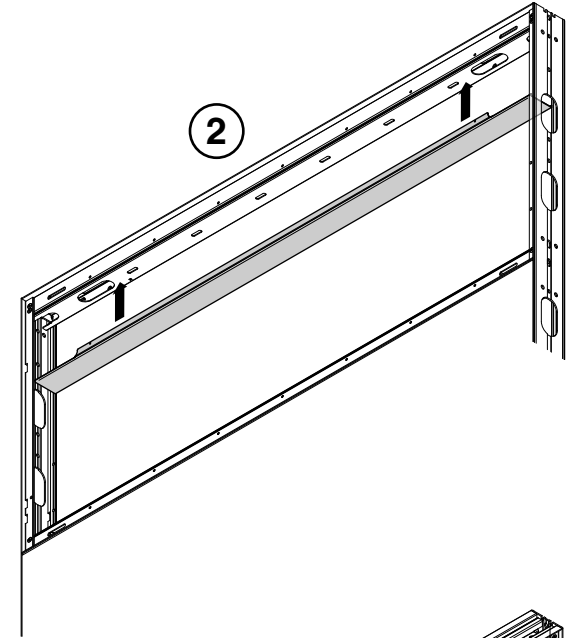
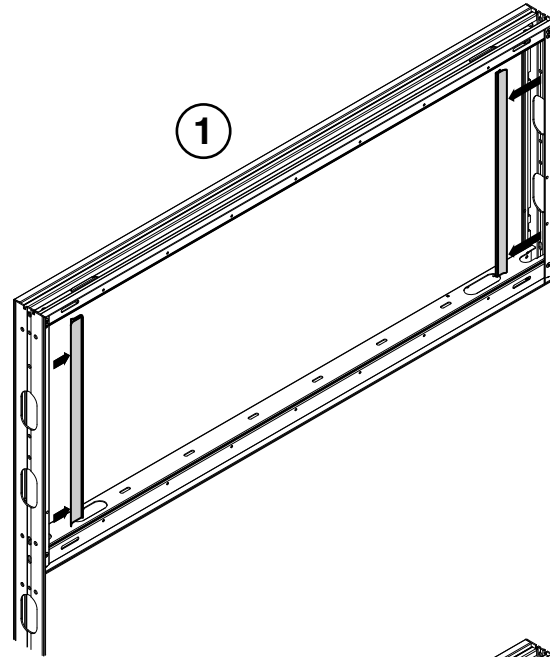


If you have a problem, question, or request, call your local dealer, or Steelcase Line 1 at **888.STEELCASE** (888.783.3522) for immediate action by people who want to help you. (Outside the U.S.A., Canada, Mexico, Puerto Rico, and the U.S. Virgin Islands, call: 1.616.247.2500) Or visit our website: www.steelcase.com

© 2010 Steelcase Inc.
Grand Rapids, MI 49501
U.S.A.

Printed in U.S.A.

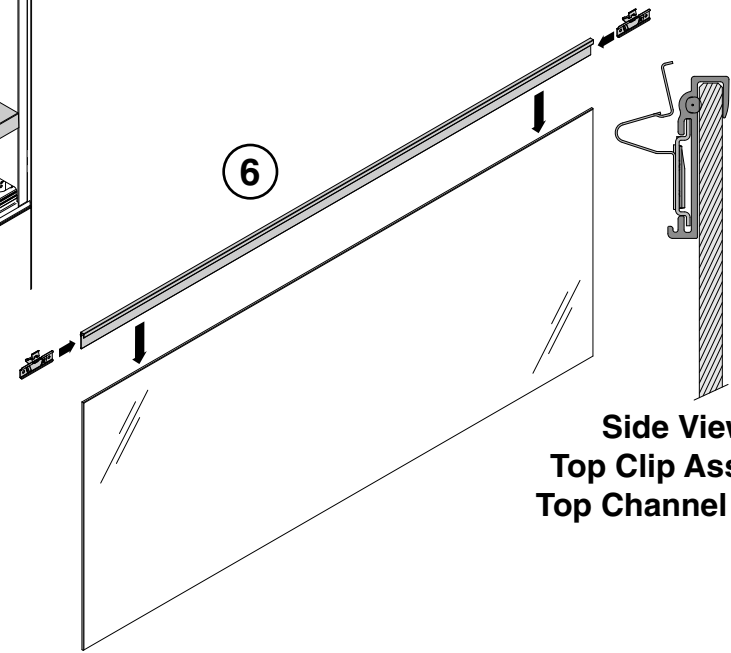
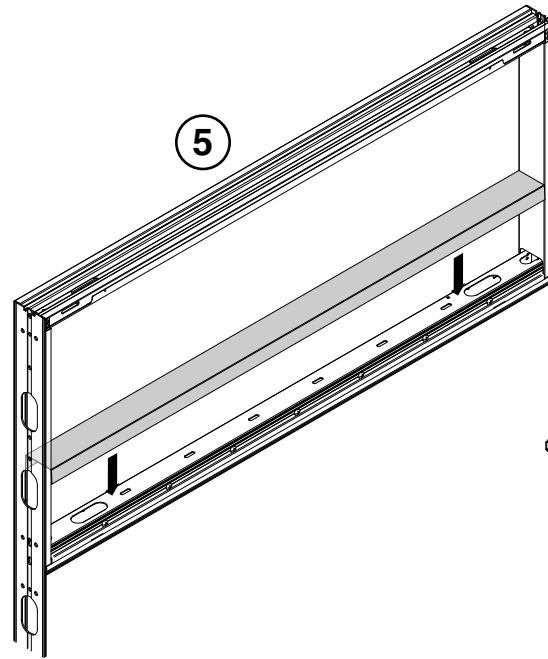
1. Remove plastic light seals.
2. Snap top cover in place as shown.
3. Push to install vertical covers as shown.
4. Install bottom channels as shown with screws provided in hardware bag.



5. Install bottom cover as shown.

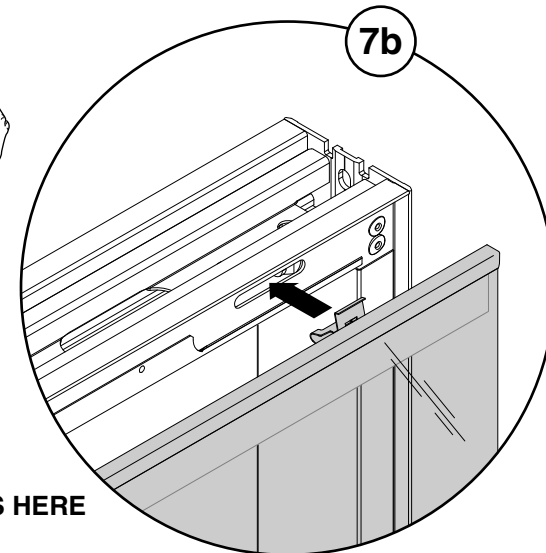
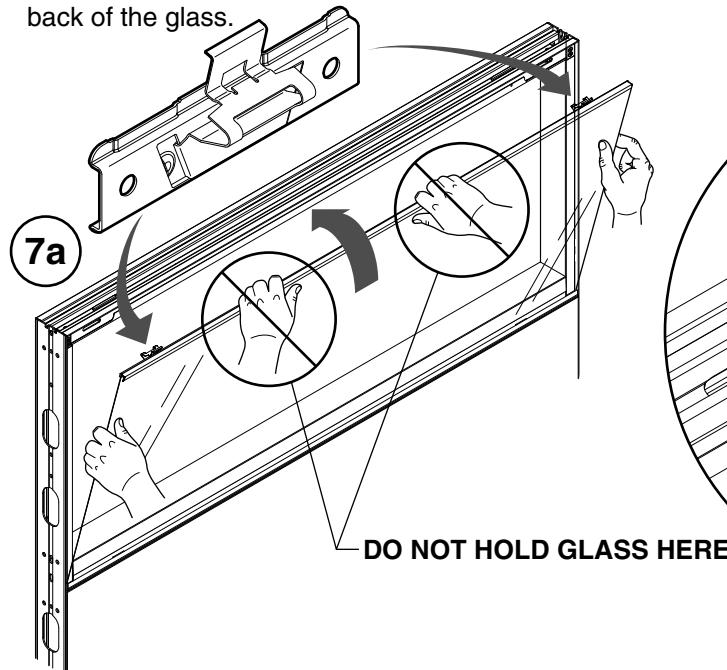
6. Install top channel onto the glass by pressing on (some force is required), then slide top clip assemblies onto the top channel as shown.

7. Do not hold glass at the top (7a). Position each top clip assembly to align with the frame hole (7b) and install.



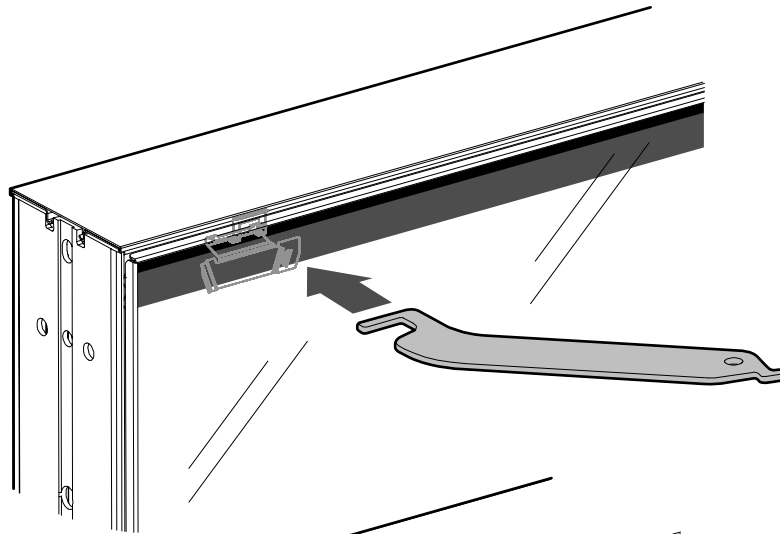
Side View of
Top Clip Assembly,
Top Channel & Glass

NOTE: Make sure the top clip assemblies have been inserted onto the back of the glass.

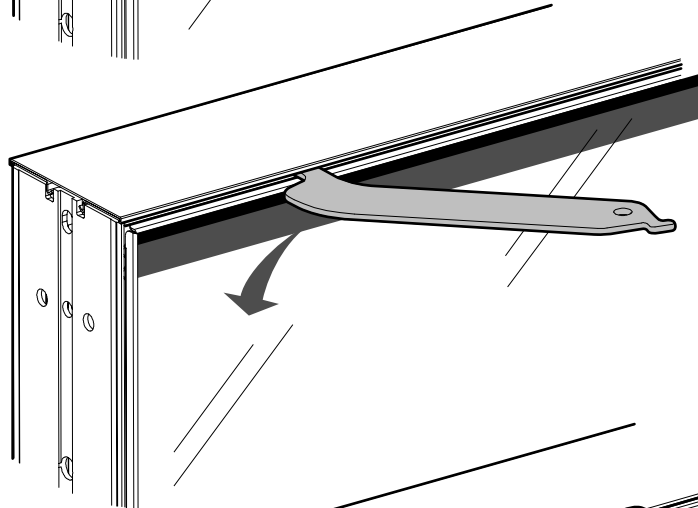


Glass Tile Removal

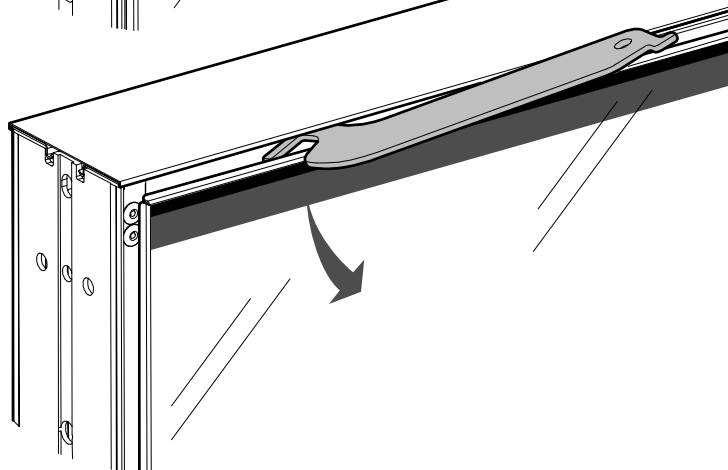
8



9



10



Montage Glass Cleaning Process

Montage glass should be cleaned inside and out thoroughly prior to installation. Care needs to be exercised in handling/installing the glass after it has been cleaned, especially the surface that will end up on the interior of the frame. For product that is currently installed, the glass needs to be disassembled for internal cleaning as a portion of the interior glass is inaccessible against the frame.

Process:

Place the glass tiles on a grounded surface so that no static charges get built up during the cleaning process. An ergonomically designed bench or worksurface area is ideal so that installers do not have to bend over. Avoid laying glass on carpet surfaces as the fibers may create static charges.

Spray Glass cleaner on windows or glass surfaces and then wipe it off with untreated paper towels, or lint-free cotton cloths for a streak-free shine. (for example Windex® and Kimberly Clark Professional Wypall X70 Kimtowels).

Clean the glass out of direct sunlight. Sunlight can heat up windows causing sprays to dry before you can wipe them clean. If you can't control the drips try spraying the cloth first then wiping. The last step should be a dry pass, use dry clean paper towels, or lint-free cotton cloth.