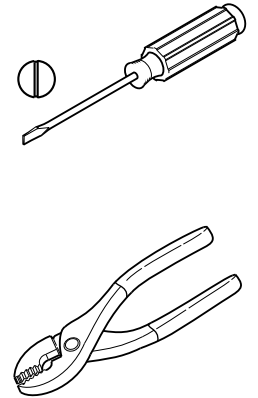
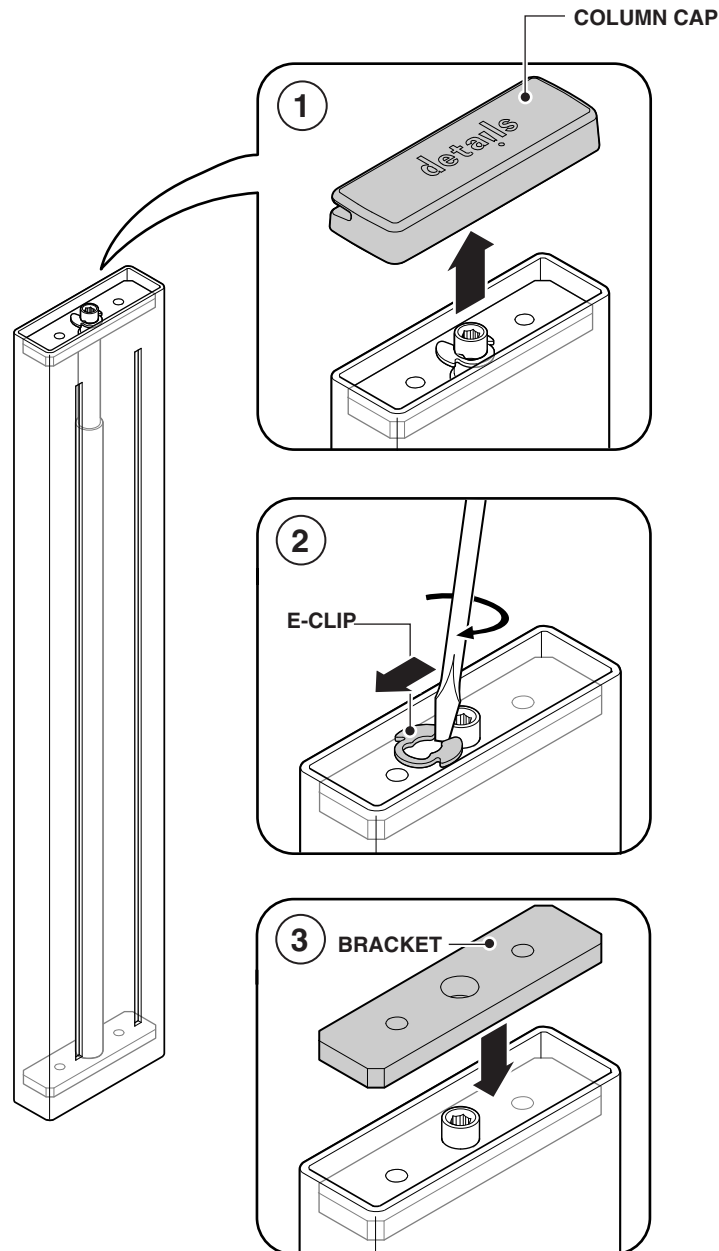


- 1 Remove existing column cap from top of column, then discard.
- 2 Use a flat blade screwdriver to pop the e-clip (save, as you will reuse this).
- 3 Remove existing attaching bracket from top of column, then discard.



If you have a problem, question, or request, call your local dealer, or Steelcase Line 1 at **888.STEELCASE** (888.783.3522) for immediate action by people who want to help you.

(Outside the U.S.A., Canada, Mexico, Puerto Rico, and the U.S. Virgin Islands, call: 1.616.247.2500)
Or visit our website: www.steelcase.com

© 2015 Steelcase Inc.
Grand Rapids, MI 49501
U.S.A.

Printed in U.S.A.

④ Position new bracket into place on column.

⑤ Use a pair of pliers to snap e-clip onto column.

⑥ Install new column top.

