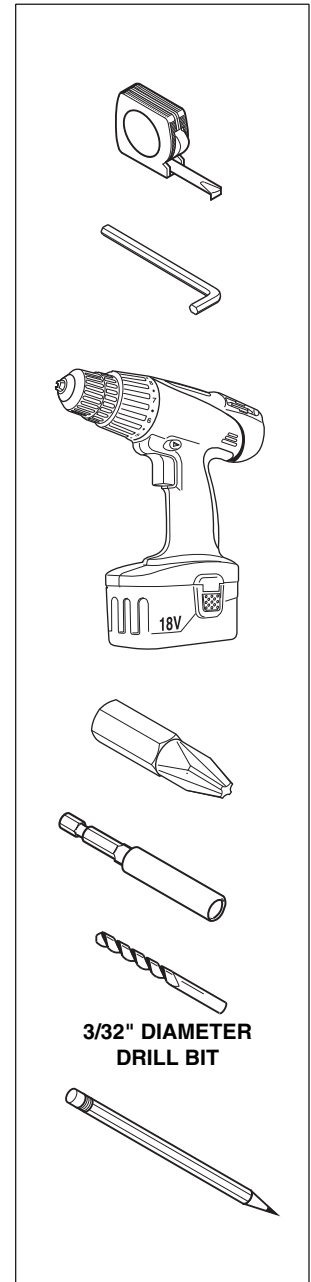
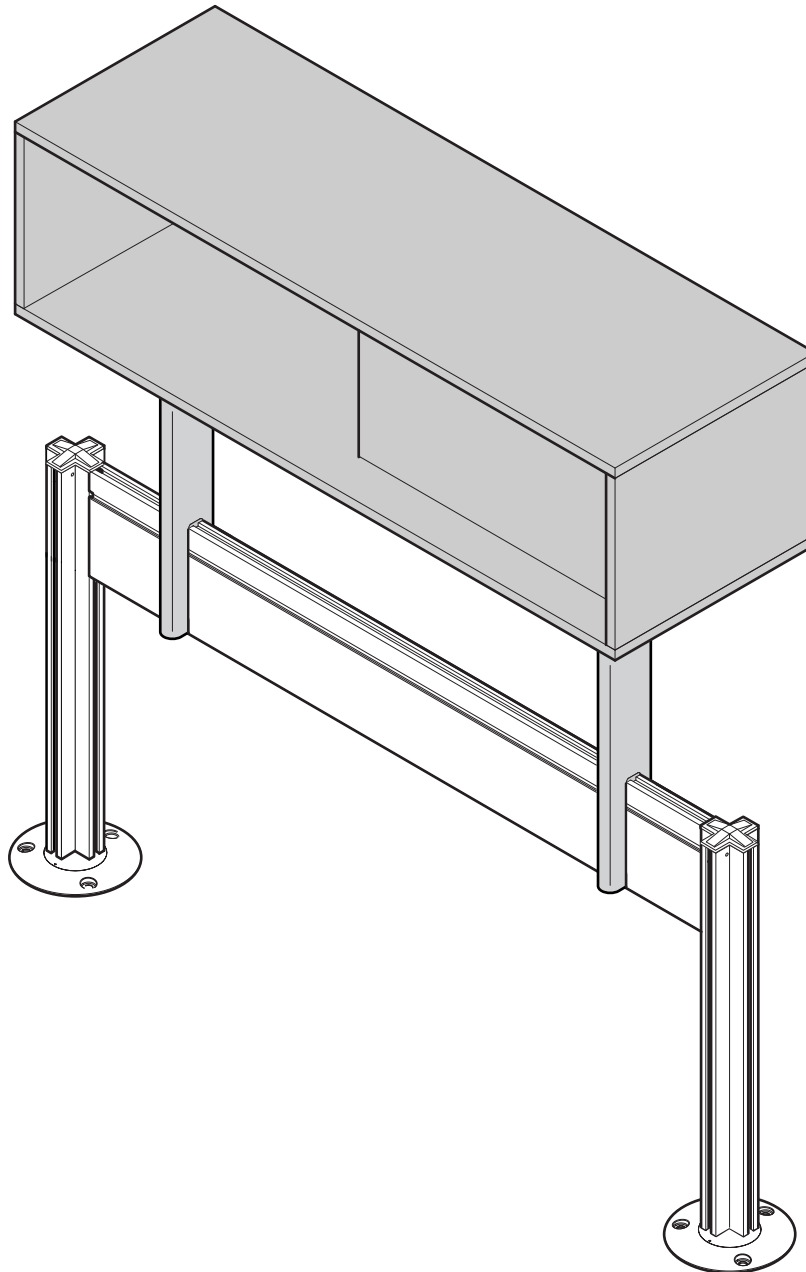


# Duo™ Overhead Storage on Pathways® Post and Beam Fence



If you have a problem, question, or request, call your local dealer, or Steelcase Line 1 at **888.STEELCASE** (888.783.3522) for immediate action by people who want to help you.

(Outside the U.S.A., Canada, Mexico, Puerto Rico, and the U.S. Virgin Islands, call: 1.616.247.2500)

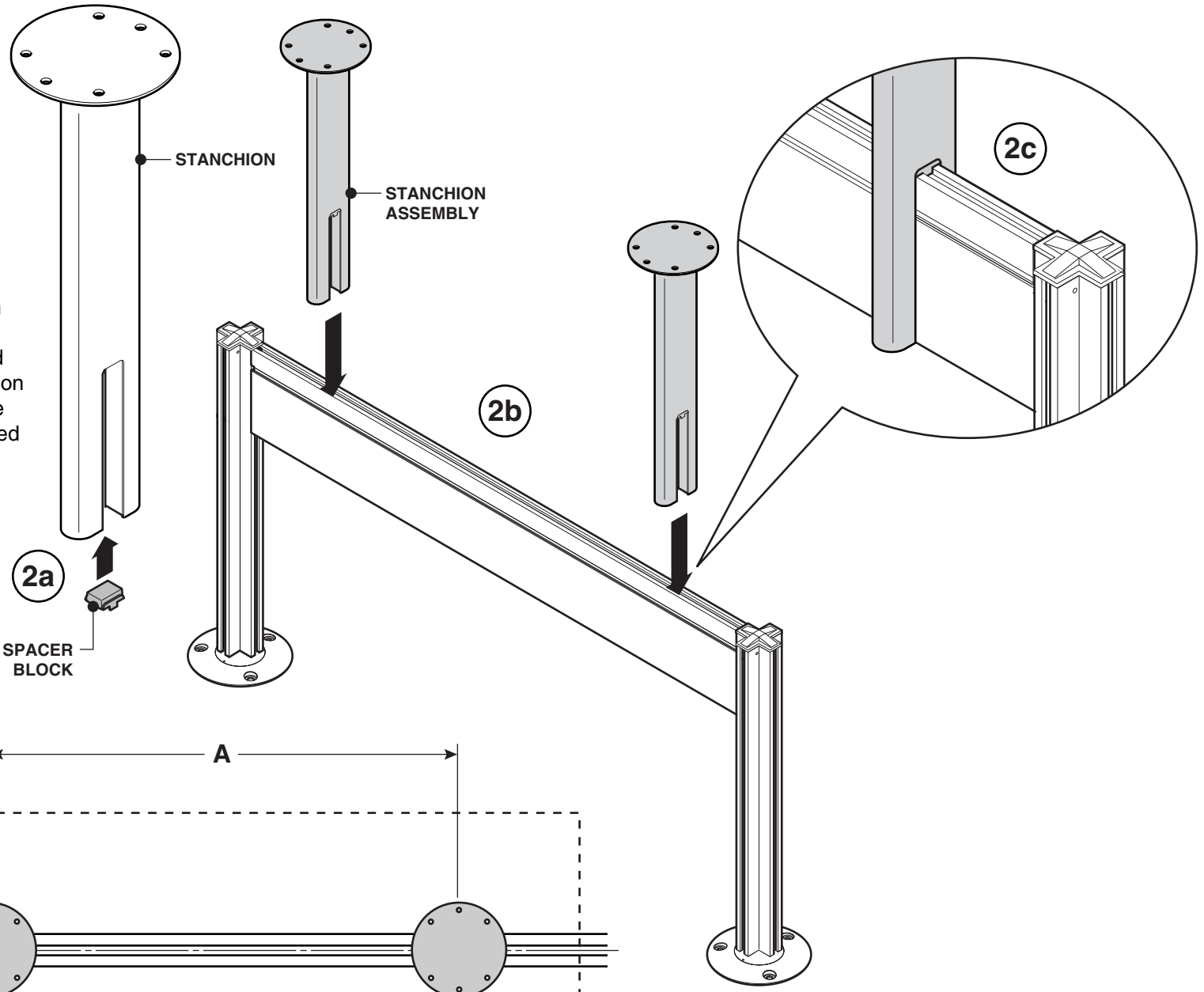
Or visit our website: [www.steelcase.com](http://www.steelcase.com)

© 2006 Steelcase Inc.  
Grand Rapids, MI 49501  
U.S.A.

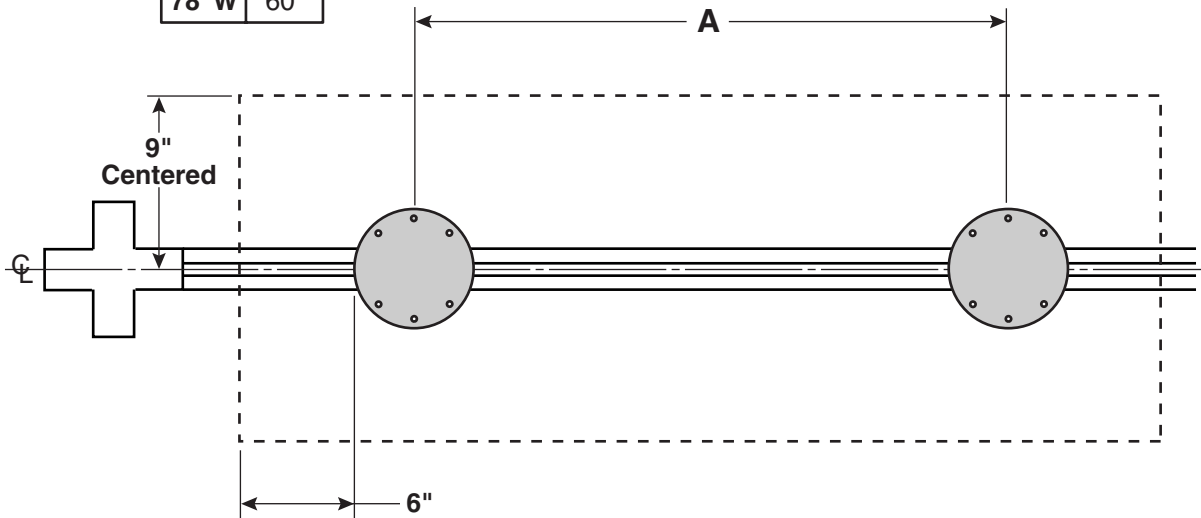
Printed in U.S.A.

1. Refer to the diagram for placement of the stanchions.

2. Place a spacer block into each stanchion (2a). Align the stanchion assemblies with the fence (2b) and slide downward so that the stanchion assemblies are sitting on top of the fence with the spacer block mounted into the top slot of the fence (2c).

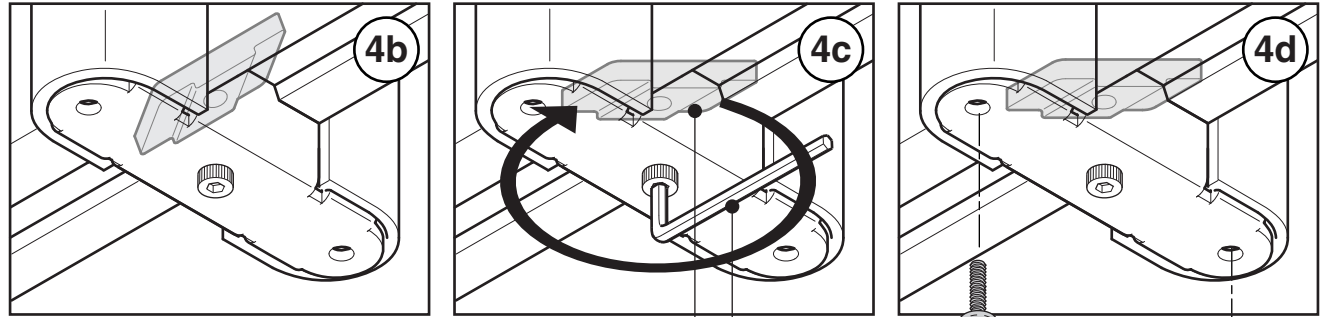


	A
54"W	36"
66"W	48"
78"W	60"



**3.** Measure the required distance from the center of the stanchion to the center of the other stanchion (3a). Adjust stanchions according to the diagram on page 2 (3b).

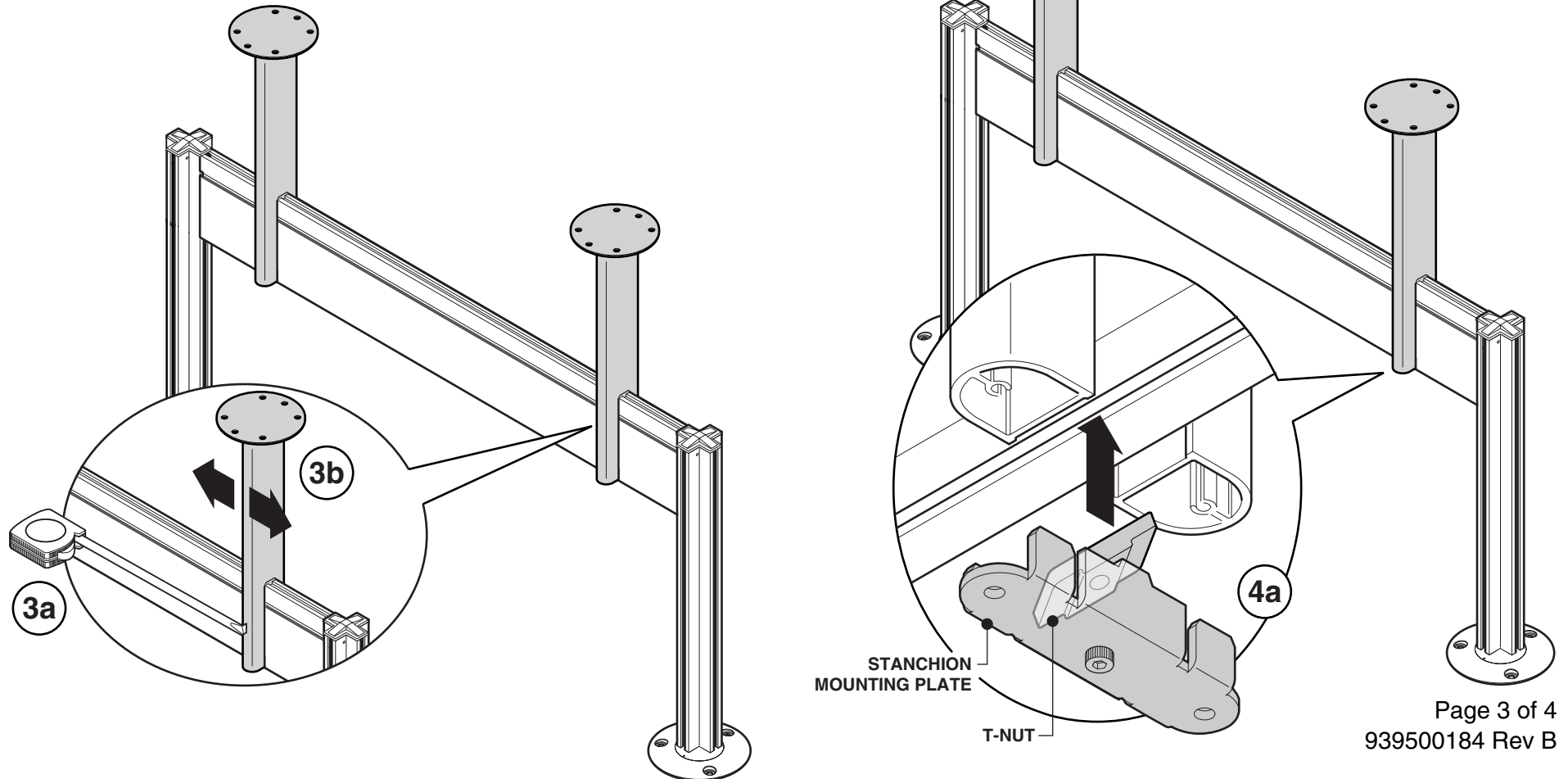
**4.** To secure the stanchion to the fence, insert the stanchion mounting plate with the T-nut to underside of the stanchion (4a). Make sure the T-nut is inserted into the groove (4b). Tighten the T-nut with an Allen wrench (4c). Secure the stanchion mounting plate to the stanchion with two (2) #8-18 x 1" pan head screws (4d).



T-NUT ROTATED AND FULLY ENGAGED

ALLEN WRENCH

#8-18 x 1" PAN HEAD SCREW



**5.** Flip overhead storage unit over and mark with a pencil the measurements according to the diagram on page 2.

**6.** Lower overhead storage unit onto stanchion plates (6a). Make sure the pencil marks on the underside of the storage unit are aligned correctly with the stanchion plate. Mark the hole locations with a pencil for both stanchions (6b). Remove and drill  $3/32$ " diameter holes through the laminate surface only (Hole depth only a  $1/4$ " ) (6c).

**7.** Secure overhead storage unit to stanchion plate by inserting six (6) #8-18 x  $5/8$ " flat head screws per stanchion.

### Underside of Overhead Storage Unit

