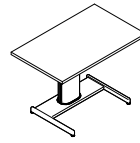
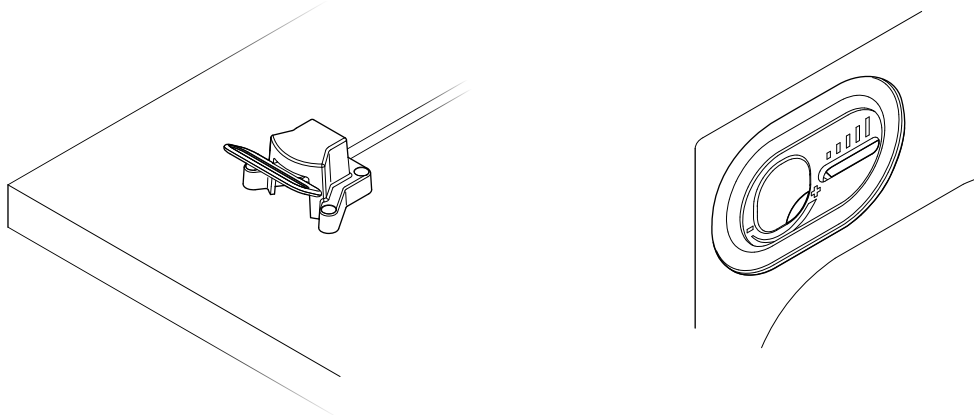


Customer Service Kits for Airtouch® Installation Instructions

939500240 Rev C Page 1 of 3

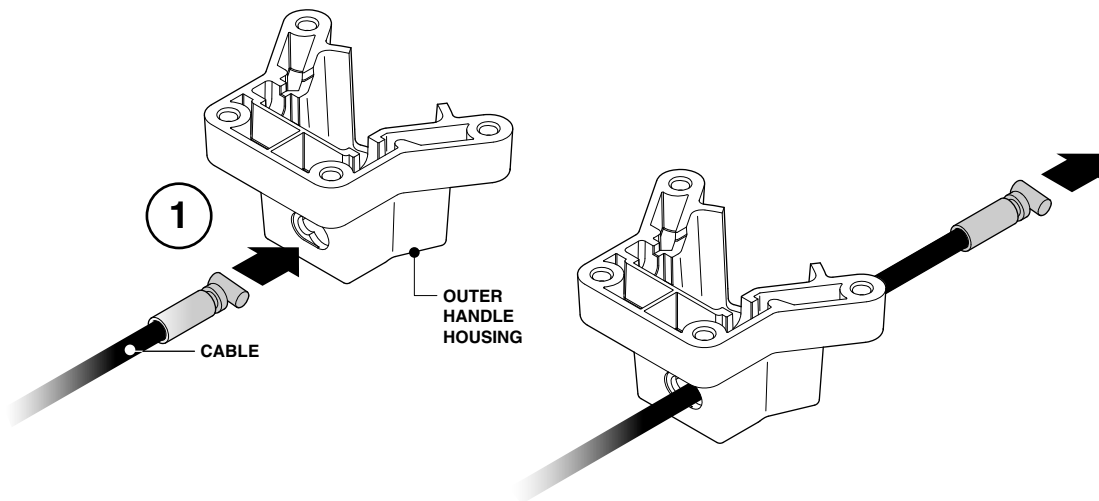


Customer Service Kits
for Airtouch®



Replacing a Handle Assembly

- 1 Slide the cable through the hole in the outer handle housing.



For a better day at work.™

details®

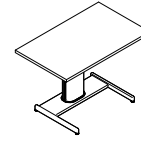
A STEELCASE COMPANY

P.O. Box 1967 / CD-5E / Grand Rapids, MI 49501-1967 / www.details-worktools.com

©2009 Office Details Inc. All rights reserved. Printed in U.S.A. 8/09

Customer Service Kits for Airtouch®

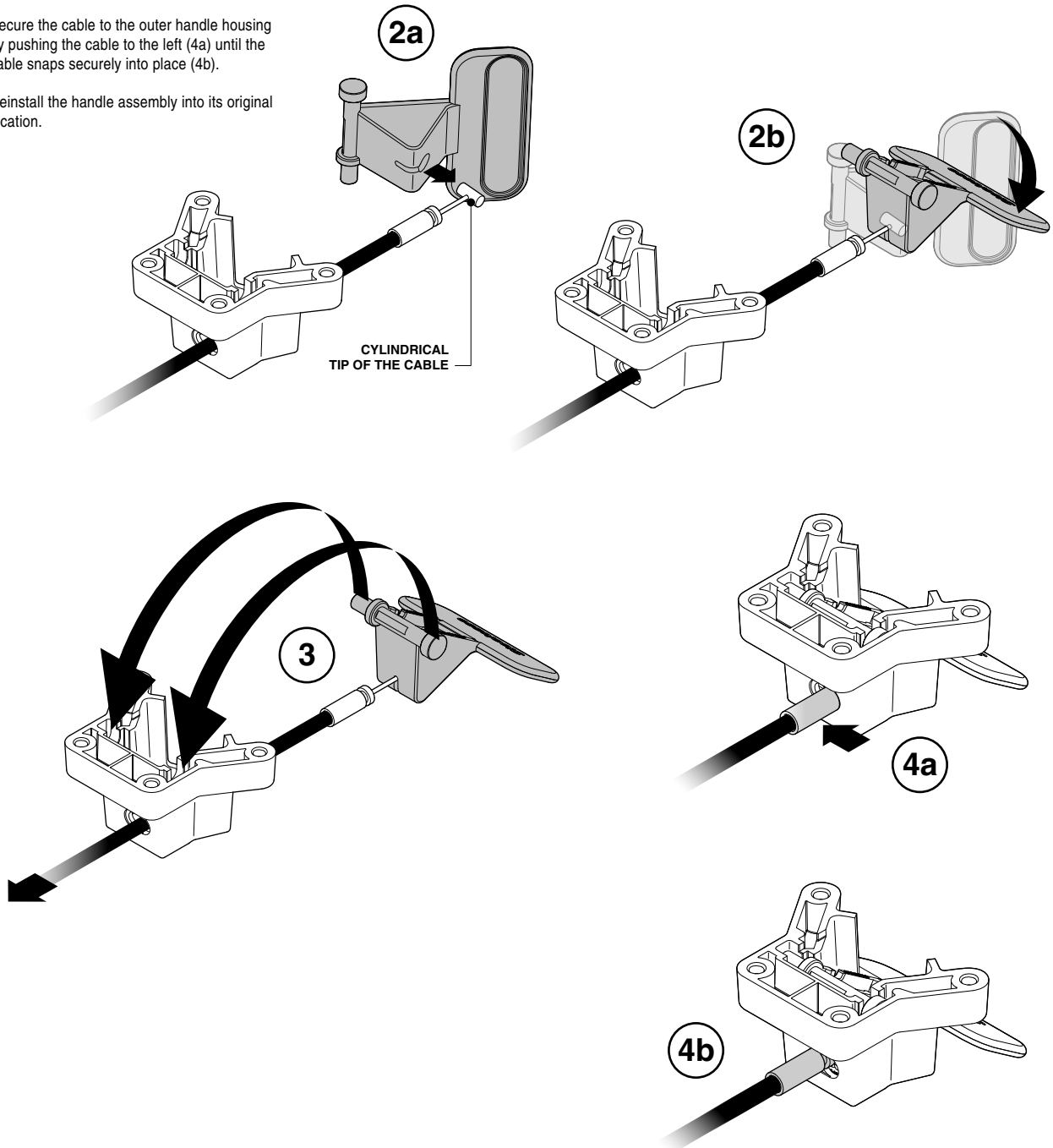
Installation Instructions



Customer Service Kits
for Airtouch®

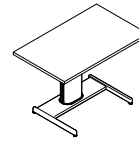
939500240 Rev C Page 2 of 3

- 2 Slide the cylindrical tip of the cable through the hole in the handle (2a) and twist the handle into the correct position (2b).
- 3 Place the handle, with cable attached, into the outer handle housing as shown.
- 4 Secure the cable to the outer handle housing by pushing the cable to the left (4a) until the cable snaps securely into place (4b).
- 5 Reinstall the handle assembly into its original location.



Customer Service Kits for Airtouch®

Installation Instructions



Customer Service Kits
for Airtouch®

939500240 Rev C Page 3 of 3

Replacing a Faceplate

- 1 Remove existing faceplate.
- 2 Slide the right side of the faceplate (hook side) into the octagonal opening (2a). Swing faceplate to the left and into octagonal opening (2b) until you hear an audible 'snap' (2c).

