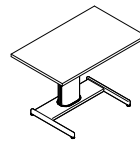


Weight for Airtouch®

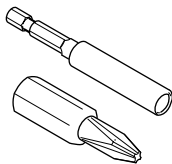
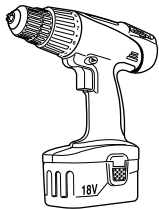
Installation Instructions

939500241 Rev B Page 1 of 1

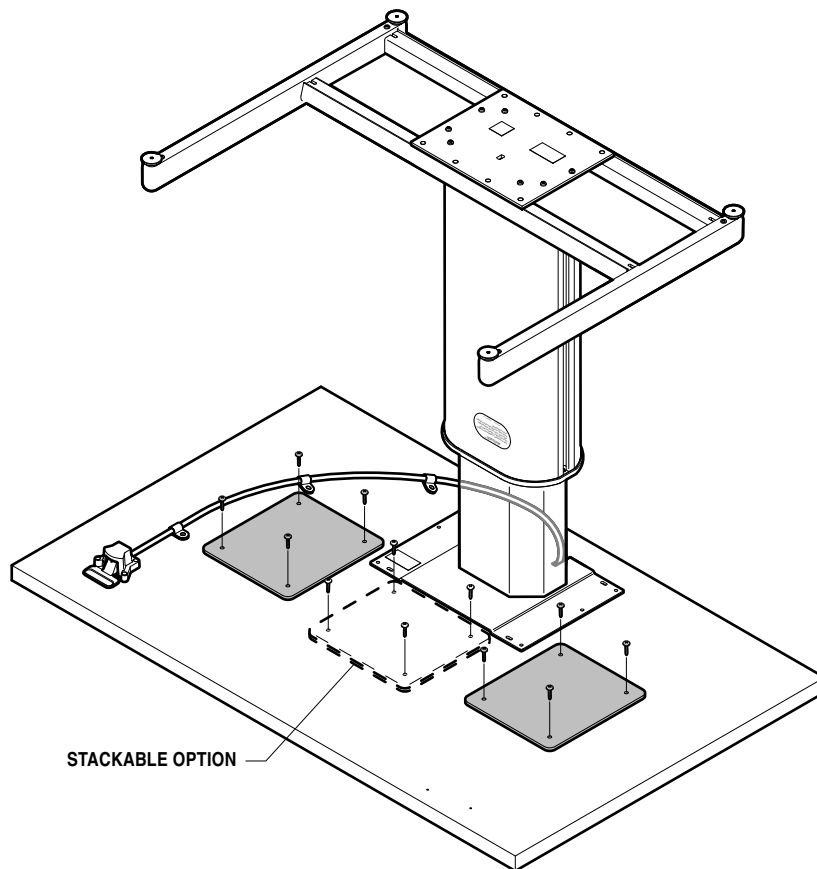


Weight for Airtouch®

Tools Required:



#2 Phillips Bit
with Extension



STACKABLE OPTION

Choose your own locations for the two (2) weight plates and mount with four (4) #10 x 1" pan head wood screws per weight plate.

or

you can stack the two (2) weight plates in one location and mount with four (4) #10 x 1" pan head wood screws.

For a better day at work.™

details®

A STEELCASE COMPANY

P.O. Box 1967 / CD-5E / Grand Rapids, MI 49501-1967 / www.details-worktools.com

©2009 Office Details Inc. All rights reserved. Printed in U.S.A. 8/09