



Prices effective September 3, 2019

Published November 2019

# HAY

<b>Introduction</b>	<b>page 2</b>
<b>HAY Soft Seating</b>	<b>3</b>
Lounge Seating	5
Sofas	16
<b>HAY Chairs &amp; Stools</b>	<b>45</b>
About A Chair	47
Chairs	82
Stools	92
About A Chair 100	106
<b>HAY Tables</b>	<b>115</b>
Occasional Tables	117
<b>HAY Accessories</b>	<b>133</b>
Floor Linking	135
<b>HAY Outdoor</b>	<b>139</b>
HEE	141
Palissade	143
<b>Indices</b>	<b>165</b>
By Name	165
By Number	167
<b>Appendix-Textiles</b>	

# Introduction

## A Note on the Organization of This Book

There are a few signals that will help you understand the organization of this book. Once you know them, you should be able to find your way around easily.

### Like a newspaper, this book is formatted with columns of text and illustrations that run vertically.

Information wraps from one column to the next and continues for as many pages as it needs to.

### Black bars are clues.

A black bar at the top of a page signals the start of information about a product.

This information is divided into two sections, each signaled by a black bar. Product Information includes a description, additional notes, and dimensional drawings. Specification Information, which always begins at the top of a column, includes a series of steps. Each step represents a decision you need to make in order to complete your product number. Steps must be followed sequentially. The number of pages needed to complete information on a product varies; some will be complete in one page; others may fill three or four pages. Just continue going through the steps until you run into the next product, signaled by the black bar at the top of the page.

Black tabs running along the outside edge of the page help you locate what section you are in or what section you want to go to. You can thumb forwards or backwards to find a section; tabs and text appear on both sides of the page.

The additional pages in the back of the book include the appendices and indices. They are signaled by a long black bar running along the outside edge of the page.

### The index is presented two ways.

The first index is in alphabetical order by product name. It can be helpful if you are new to the products and numbering scheme or if you are looking for a type of product, such as work chair or round table.

The second index is by product number. It lists, in alphanumeric order, the base product number, typically a five-digit number.

## General Information

This book is effective September 3, 2019, subject to change without notice. Products may be purchased from authorized Herman Miller dealers who will quote prices upon request. For more information about our products and services or to see a list of dealers, visit [www.HermanMiller.com](http://www.HermanMiller.com).


All prices are list prices. Additional services, such as planning services, design, storage, and installation, are not included and must be added to these prices when the additional services are requested.


Illustrations, specifications, and prices are based on the latest information at the time of publication. The right is reserved to make changes at any time without notice in prices, fabrics, finishes, materials, specifications, and models, and also to discontinue models and finishes.

Dimensions shown in the drawings are engineering drawing dimensions rounded up to the nearest  $\frac{1}{8}$ ". Product is shipped set up or knocked down. Products that include "Shipped knocked down" in the description require some assembly. If this statement does not appear in the description, the product is shipped assembled.

Service problems are normally handled by a Herman Miller authorized dealer. Where this cannot be accomplished on a local level, service problems should be referred to the Customer Care Representative for your region, Herman Miller, Inc., Zeeland, Michigan 49464.

### 20-Day or Less/Assigned Lead-Time Shipments

All products and options in this price book not designated by an Assigned Program icon  will ship in **20 business days or less** after being acknowledged by Herman Miller.

Products and options designated by an  are on the assigned lead-time program and may ship in 20 days, less than 20 days, or more than 20 days from order acknowledgement.

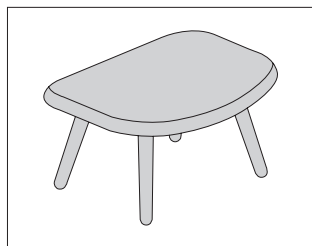
**Lounge Seating**

**Sofas**



# About A Lounge Ottoman with 4-Leg Solid Wood Base

AAL03

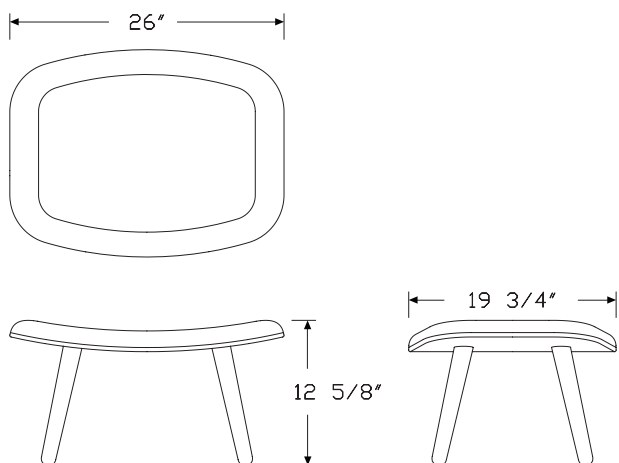


### Product Information

#### Description

This ottoman is fully-upholstered hard molded polyurethane foam with 4 solid wood legs available in 2 finishes.

#### Dimensions



### Specification Information

#### Step 1.

**AAL03**

#### Step 2. Material Selection

**04** fully upholstered

#### Prices for Steps 1-2.

**AAL03 04** \$695

#### Step 3. Base Finish

**CSO** clear lacquered solid oak  +\$0

**BSO** black stained solid oak  +\$0

**MSO** matte lacquered solid oak  +\$0

#### Step 4. Fabric

Price Category (HAY) 1 +\$0

Price Category (HAY) 2 +\$28

Price Category (HAY) 3 +\$32

Price Category (HAY) 4 +\$49

Price Category (HAY) 5 +\$176

About A Lounge Low Back 4-Star Swivel Base AAL81



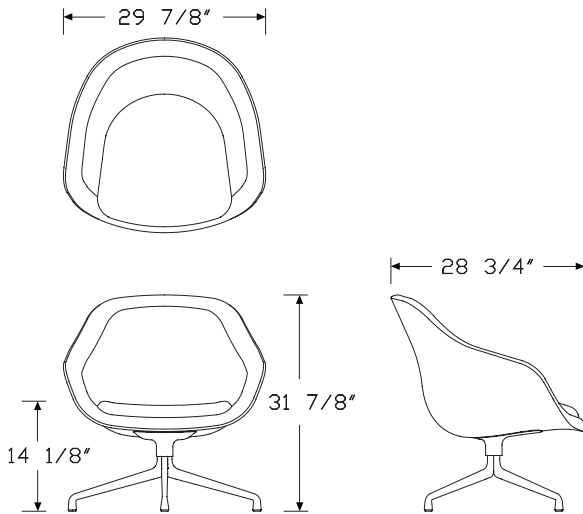
HAY Lounge Seating

**Product Information**

**Description**

This low-back lounge chair is fully-upholstered hard molded polyurethane foam with a 4-star swivel base available in 3 finishes.

**Dimensions**



**Specification Information**

**Step 1.**

**AAL81** [A]

**Step 2. Material Selection**

- 14** fully upholstered, with no seat cushion [A]
- 15** fully upholstered, with cushion [A]

**Prices for Steps 1-2.**

<b>AAL81 14</b>	\$1915
<b>15</b>	\$2207

**Step 3. Base Finish**

<b>PAL</b> polished aluminum [A]	+\$0
<b>BPA</b> black powder coated aluminum [A]	+\$0
<b>WPA</b> white powder coated aluminum [A]	+\$0

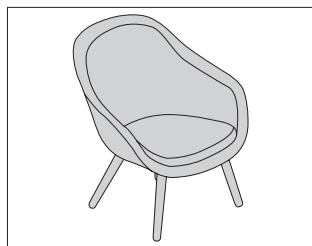
**Step 4. Glide Option**

<b>SDG</b> standard glides [A]	+\$0
--------------------------------	------

**Step 5. Fabric**

Price Category (HAY) 1	+\$0
Price Category (HAY) 2	+\$69
Price Category (HAY) 3	+\$79
Price Category (HAY) 4	+\$122
Price Category (HAY) 5	+\$440

About A Lounge Low Back 4-Leg  
Solid Wood Base AAL82

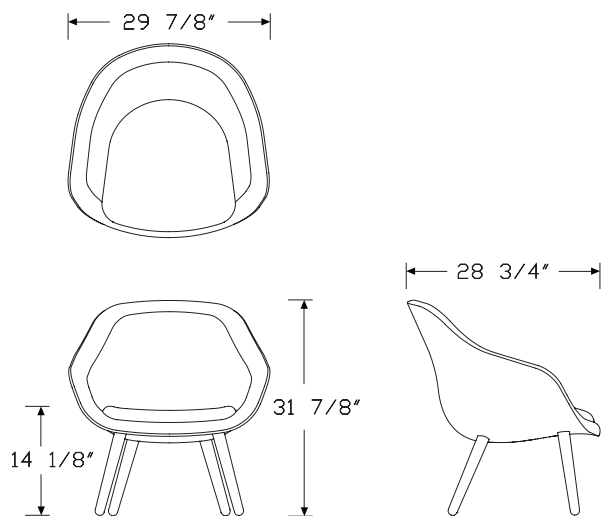


**Product Information**

**Description**

This low-back lounge chair is fully-upholstered hard molded polyurethane foam with 4 solid wood legs available in 2 finishes.

**Dimensions**



**Specification Information**

**Step 1.**

**AAL82**  A

**Step 2. Material Selection**

**14** fully upholstered, with no seat cushion  A

**15** fully upholstered, with cushion  A

**Prices for Steps 1-2.**

<b>AAL82 14</b>	\$1561
<b>15</b>	\$1854

**Step 3. Base Finish**

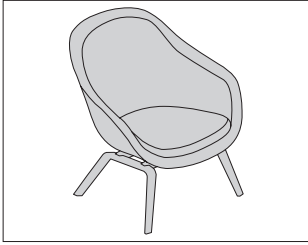
<b>BSO</b> black stained solid oak <input type="checkbox"/> A	+\$0
<b>CSO</b> clear lacquered solid oak <input type="checkbox"/> A	+\$0
<b>MSO</b> matte lacquered solid oak <input type="checkbox"/> A	+\$0

**Step 4. Fabric**

Price Category (HAY) 1	+\$0
Price Category (HAY) 2	+\$69
Price Category (HAY) 3	+\$79
Price Category (HAY) 4	+\$122
Price Category (HAY) 5	+\$440

# About A Lounge Low Back 4-Leg Wood Base AAL83

HAY Lounge Seating

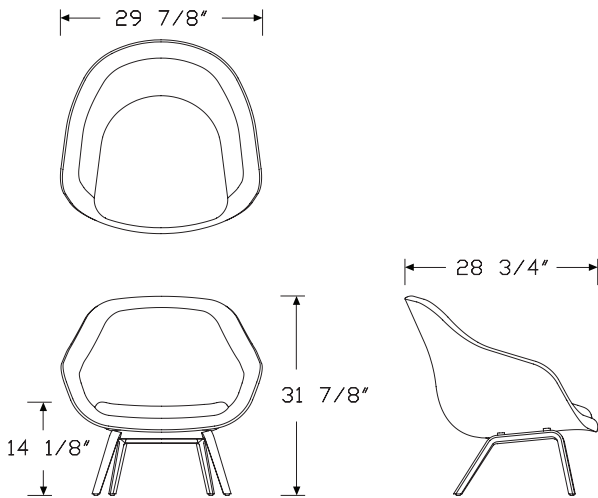


## Product Information

**Description**  
 This low-back lounge chair is fully-upholstered hard molded polyurethane foam with molded plywood base available in 2 finishes. The 4-leg solid oak base can have standard, felt or soft felt glides.

**Notes**  
 Standard glides are suitable for most floorings which are not too sensitive, such as wood, concrete, linoleum, tiles, firm carpets, etc.). Standard felt glides are for use with wooden floors. For sensitive wooden floors such as pine wood or painted floors, soft felt glides are recommended.

## Dimensions



## Specification Information

### Step 1.

**AAL83**  A

### Step 2. Material Selection

- 14** fully upholstered, with no seat cushion  A
- 15** fully upholstered, with cushion  A

### Prices for Steps 1-2.

<b>AAL83</b>	<b>14</b>	\$1573
	<b>15</b>	\$1878

### Step 3. Base Finish

- CSO** clear lacquered solid oak  A +\$0
- BSO** black stained solid oak  A +\$0
- MSO** matte lacquered solid oak  A +\$0

### Step 4. Glide Option

- SDG** standard glides  A +\$0
- FGL** felt glides  A +\$0

### Step 5. Fabric

- Price Category (HAY) 1 +\$0
- Price Category (HAY) 2 +\$69
- Price Category (HAY) 3 +\$79
- Price Category (HAY) 4 +\$122
- Price Category (HAY) 5 +\$440



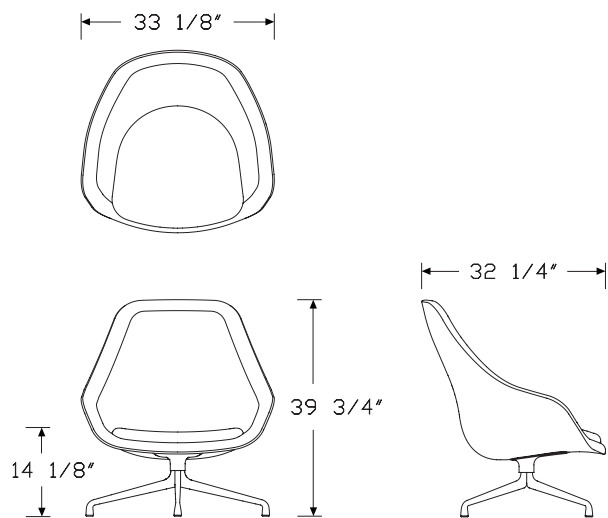
# About A Lounge High Back 4-Star Swivel Base AAL91 Swivel Base



## Product Information

**Description**  
 This low-back lounge chair is fully-upholstered hard molded polyurethane foam with a 4-star swivel base available in 3 finishes.

## Dimensions



## Specification Information

Step 1.

**AAL91**  A

Step 2. Material Selection

**16** fully upholstered, with fixed seat cushion  A

Prices for Steps 1-2.

**AAL91 16** \$2739

Step 3. Base Finish

**PAL** polished aluminum  A +\$0

**BPA** black powder coated aluminum  A +\$0

**WPA** white powder coated aluminum  A +\$0

Step 4. Glide Option

**SDG** standard glides  A +\$0

Step 5. Fabric

Price Category (HAY) 1 +\$0

Price Category (HAY) 2 +\$123

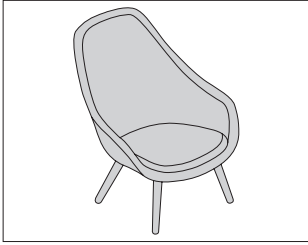
Price Category (HAY) 3 +\$141

Price Category (HAY) 4 +\$220

Price Category (HAY) 5 +\$791

HAY Lounge Seating

About A Lounge High Back 4-Leg Solid Wood Base AAL92



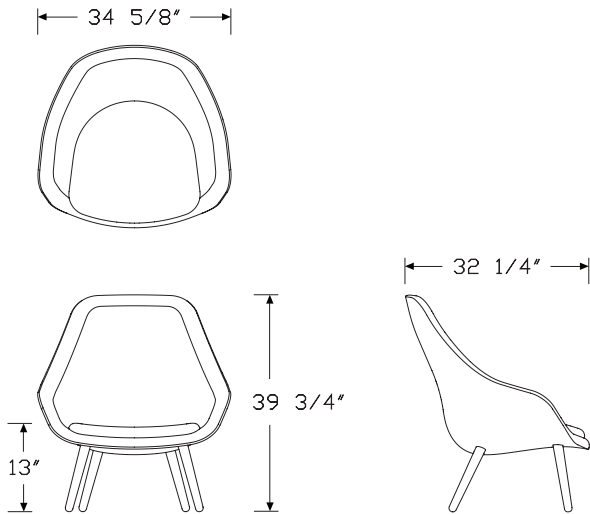
HAY Lounge Seating

**Product Information**

**Description**

This high-back lounge chair is fully-upholstered hard molded polyurethane foam with 4 solid wood legs available in 2 finishes.

**Dimensions**



**Specification Information**

**Step 1.**

**AAL92**  A

**Step 2. Material Selection**

- 14** fully upholstered, with no seat cushion  A
- 15** fully upholstered, with cushion  A

**Prices for Steps 1-2.**

<b>AAL92 14</b>	\$2102
<b>15</b>	\$2102

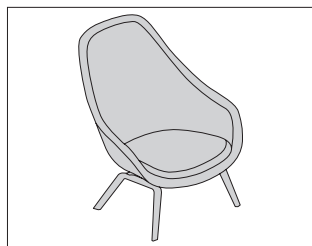
**Step 3. Base Finish**

- BSO** black stained solid oak  A +\$0
- CSO** clear lacquered solid oak  A +\$0
- MSO** matte lacquered solid oak  A +\$0

**Step 4. Fabric**

- Price Category (HAY) 1 +\$0
- Price Category (HAY) 2 +\$123
- Price Category (HAY) 3 +\$141
- Price Category (HAY) 4 +\$220
- Price Category (HAY) 5 +\$791

# About A Lounge High Back 4-Leg Wood Base AAL93



## Product Information

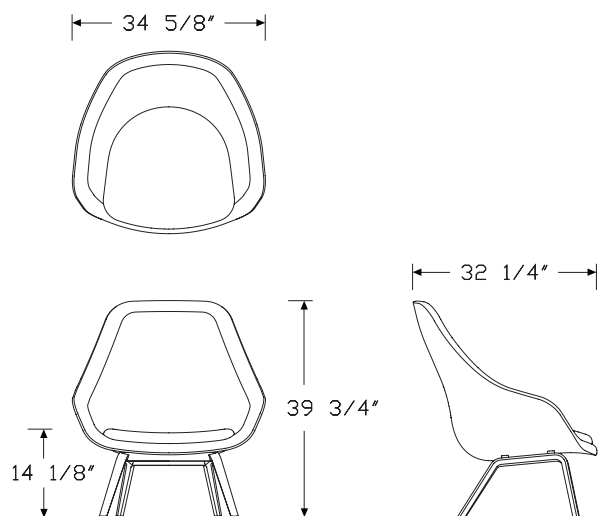
### Description

This high-back lounge chair is fully-upholstered hard molded polyurethane foam with molded plywood base available in 2 finishes. The 4-leg solid oak base can have standard, felt or soft felt glides.

### Notes

Standard glides are suitable for most floorings which are not too sensitive, such as wood, concrete, linoleum, tiles, firm carpets, etc.). Standard felt glides are for use with wooden floors. For sensitive wooden floors such as pine wood or painted floors, soft felt glides are recommended.

### Dimensions



## Specification Information

### Step 1.

**AAL93**

### Step 2. Material Selection

**16** fully upholstered, with fixed seat cushion

### Prices for Steps 1-2.

**AAL93 16** \$2256

### Step 3. Base Finish

- CSO** clear lacquered solid oak  +\$0
- BSO** black stained solid oak  +\$0
- MSO** matte lacquered solid oak  +\$0

### Step 4. Glide Option

- SDG** standard glides  +\$0
- FGL** felt glides  +\$0

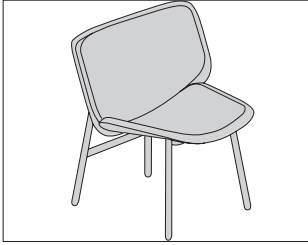
### Step 5. Fabric

- Price Category (HAY) 1 +\$0
- Price Category (HAY) 2 +\$123
- Price Category (HAY) 3 +\$141
- Price Category (HAY) 4 +\$220
- Price Category (HAY) 5 +\$791

HAY Lounge Seating

# Dapper Lounge without Arms

HDP01



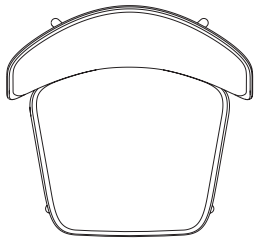
HAY Lounge Seating

## Product Information

### Description

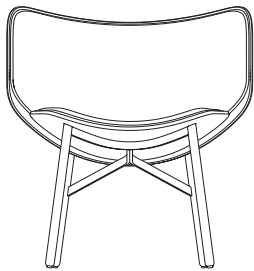
This low back lounge chair has a shell of 10mm molded plywood with oak veneer and upholstery over 30mm of foam on the seat and backrest. Base is power coated steel and comes with standard glides.

### Dimensions

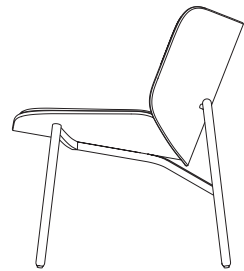


27 5/8"

25 5/8"



29 3/8"  
17"



## Specification Information

### Step 1.

**HDP0104** [A] \$1427

### Step 2. Shell Finish

**AGO** autumn green stained oak veneer [A] +\$0  
**BLS** black stained oak veneer [A] +\$0  
**COV** clear lacquered oak veneer [A] +\$0  
**DYS** dusty grey stained oak veneer [A] +\$0  
**MOV** matte lacquered oak veneer [A] +\$0

### Step 3. Frame Finish

#### For dusty grey stained oak veneer (DYS)

**DGP** dusty grey powder coated steel [A] +\$0

#### For autumn green stained oak veneer (AGO)

**AGS** autumn green powder coated steel [A] +\$0

#### For black stained oak veneer (BLS), clear lacquered oak veneer (COV), or matte lacquered oak veneer (MOV)

**BPS** black powder coated steel [A] +\$0

### Step 4. Glide Option

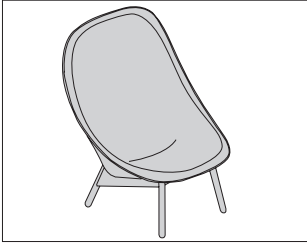
**SDG** standard glides [A] +\$0

### Step 5. Fabric, Non-Quilted

Price Category (HAY) 1 +\$0  
 Price Category (HAY) 2 +\$31  
 Price Category (HAY) 3 +\$35  
 Price Category (HAY) 4 +\$55  
 Price Category (HAY) 5 +\$198

**Uchiwa Lounge with 4-Leg Solid Wood Base and Non-Quilted Full Upholstery**

**UCH04**



**Product Information**

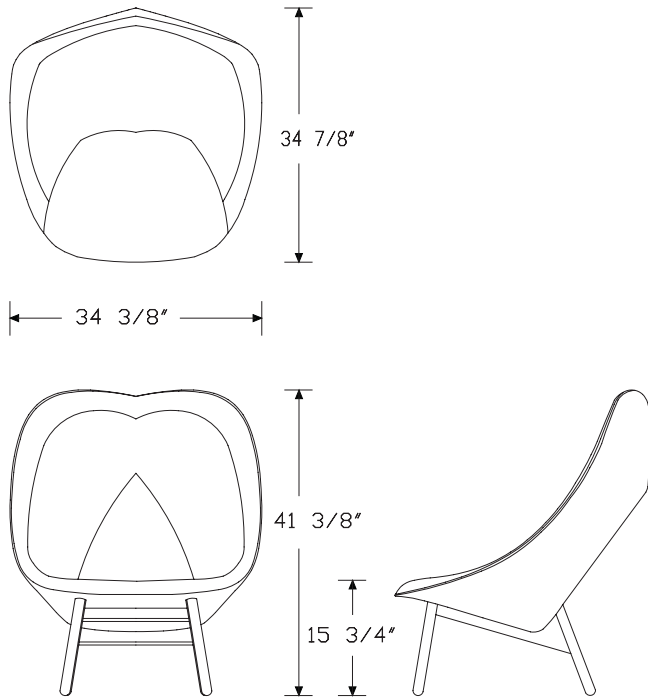
**Description**

This upholstered armchair has a polypropylene shell with molded polyurethane foam. The 4-leg solid wood base is available in limited finish options.

**Notes**

Uchiwa is only available in Kvadrat Remix 123 fabric.

**Dimensions**



**Specification Information**

**Step 1.**

**UCH04** [A] \$2439

**Step 2. Base Finish**

**BSO** black stained solid oak [A] +\$0

**MSO** matte lacquered solid oak [A] +\$0

**Step 3. Front Fabric, Non-Quilted**

Price Category (HAY) 1 +\$0

Price Category (HAY) 2 +\$58

Price Category (HAY) 3 +\$66

Price Category (HAY) 4 +\$104

Price Category (HAY) 5 +\$373

**Step 4. Back Fabric, Non-Quilted**

Price Category (HAY) 1 +\$0

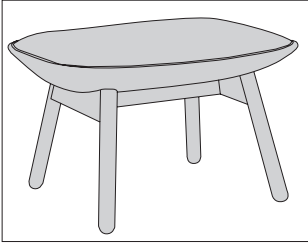
Price Category (HAY) 2 +\$68

Price Category (HAY) 3 +\$78

Price Category (HAY) 4 +\$122

Price Category (HAY) 5 +\$439

Uchiwa Ottoman with 4-Leg Solid Wood Base and Non-Quilted Full Upholstery UCH03

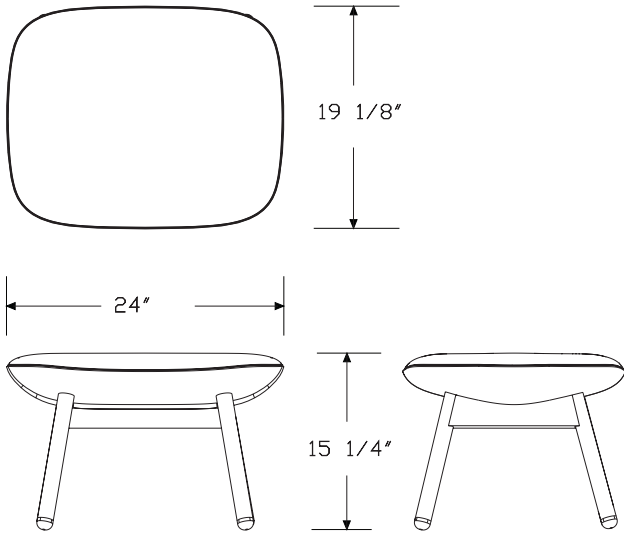


HAY Lounge Seating

**Product Information**

**Description**  
 This upholstered ottoman has a polypropylene shell with molded polyurethane foam and a 4-leg solid wood base available in multiple finishes.

**Dimensions**



**Specification Information**

**Step 1.**

**UCH03** [A] \$732

**Step 2. Base Finish**

**BSO** black stained solid oak [A] +\$0

**MSO** matte lacquered solid oak [A] +\$0

**Step 3. Top Fabric, Non-Quilted**

Price Category (HAY) 1 +\$0

Price Category (HAY) 2 +\$24

Price Category (HAY) 3 +\$27

Price Category (HAY) 4 +\$43

Price Category (HAY) 5 +\$154

**Step 4. Bottom Fabric, Non-Quilted**

Price Category (HAY) 1 +\$0

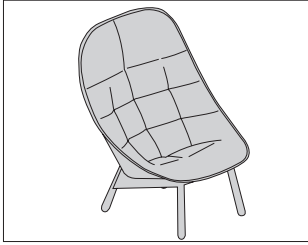
Price Category (HAY) 2 +\$31

Price Category (HAY) 3 +\$35

Price Category (HAY) 4 +\$55

Price Category (HAY) 5 +\$198

**Uchiwa Lounge with 4-Leg Solid Wood Base and Quilted Full Upholstery UCH05**

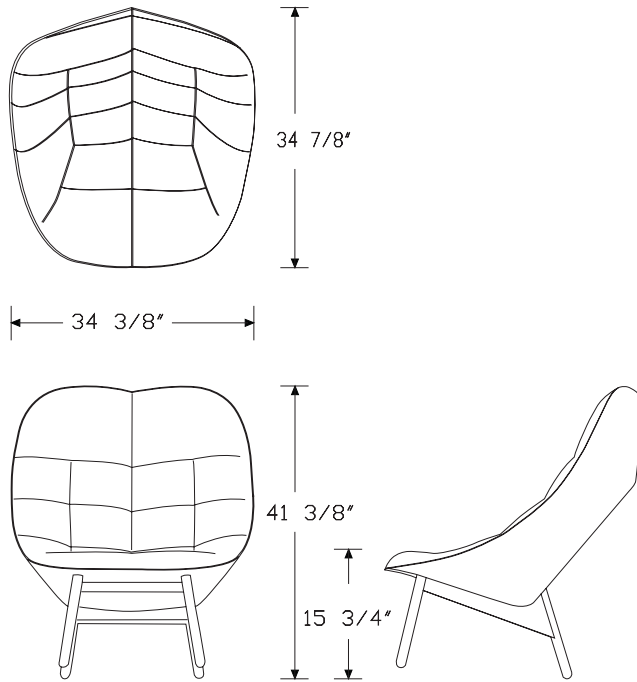


**Product Information**

**Description**

This upholstered armchair has a polypropylene shell with molded polyurethane foam and a 4-leg solid wood base available in multiple finishes.

**Dimensions**



**Specification Information**

**Step 1.**

**UCH05** [A] \$2683

**Step 2. Base Finish**

**BSO** black stained solid oak [A] +\$0

**MSO** matte lacquered solid oak [A] +\$0

**Step 3. Front Fabric, Quilted**

Price Category (HAY) 1 +\$0

Price Category (HAY) 2 +\$58

Price Category (HAY) 3 +\$66

Price Category (HAY) 4 +\$104

Price Category (HAY) 5 +\$373

**Step 4. Back Fabric, Quilted**

Price Category (HAY) 1 +\$0

Price Category (HAY) 2 +\$68

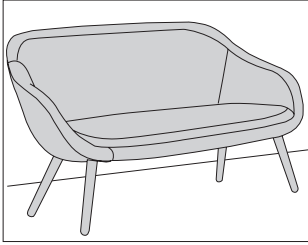
Price Category (HAY) 3 +\$78

Price Category (HAY) 4 +\$122

Price Category (HAY) 5 +\$439

HAY Lounge Seating

About A Lounge Sofa 4-Leg Solid Wood Base, with Armrest and Full Upholstery **AALSO**



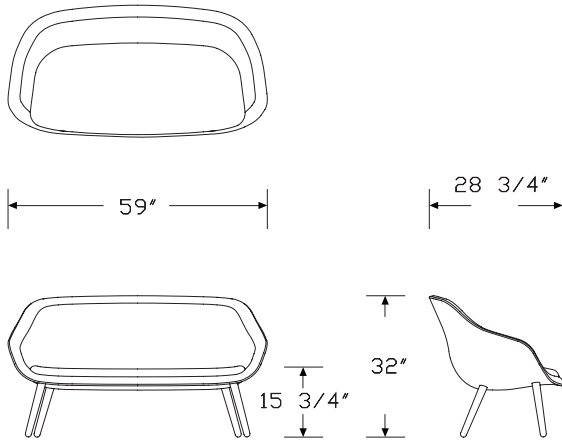
HAY Sofas

**Product Information**

Description

This low-back sofa is fully-upholstered hard molded polyurethane foam with a 4-leg solid wood base.

Dimensions



**Specification Information**

Step 1.

**AALSOFA**

Step 2. Material Selection

**04** fully upholstered

Prices for Steps 1-2.

**AALSOFA 04** \$3170

Step 3. Base Finish

**BSO** black stained solid oak  +\$0  
**CSO** clear lacquered solid oak  +\$0  
**MSO** matte lacquered solid oak  +\$0

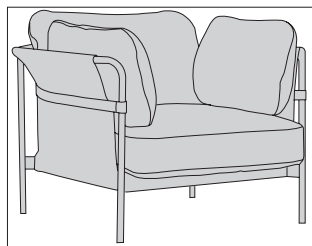
Step 4. Fabric

Price Category (HAY) 1 +\$0  
 Price Category (HAY) 2 +\$164  
 Price Category (HAY) 3 +\$187  
 Price Category (HAY) 4 +\$293  
 Price Category (HAY) 5 +\$1054



# Can Seating, 1 Seat

HCAN1

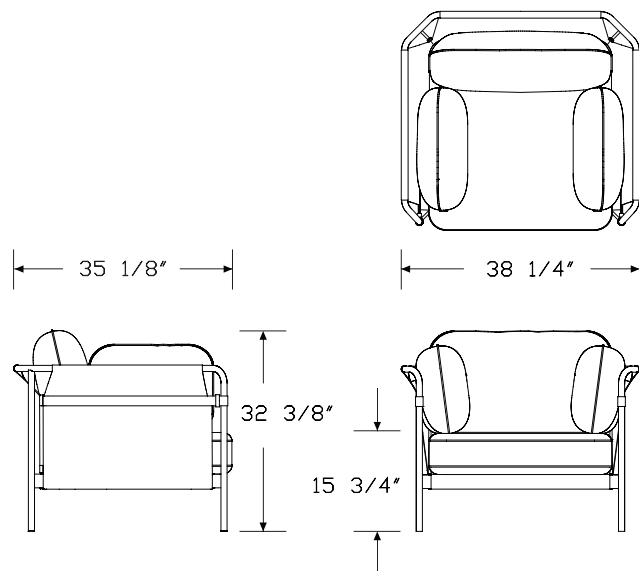


### Product Information

#### Description

This chair features steel tube legs and crossbars assembled to a bent sheet metal seat with canvas tightened over the steel frame. Cushions with anti-slip material on the back side of the seat are placed inside the frame. Arrives flat pack for easy assembly.

#### Dimensions



### Specification Information

#### Step 1.

**HCAN1** [A] \$3244

#### Step 2. Base Finish

**BPS** black powder coated steel [A] +\$0

**CHS** chromed steel [A] +\$260

#### Step 3. Upholstery Fabric

Price Category (HAY) 2 +\$0

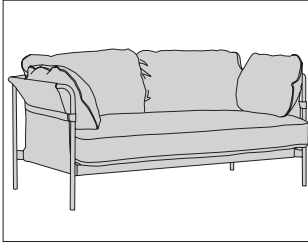
#### Step 4. Outside Fabric

Price Category (HAY) 1 +\$0

HAY Sofas

# Can Seating, 2 Seat

HCAN2



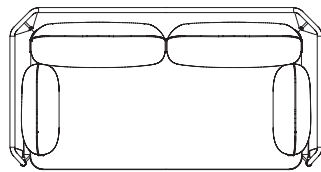
HAY Sofas

## Product Information

### Description

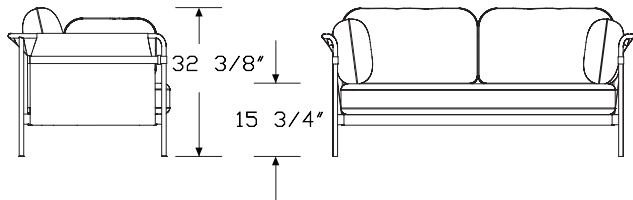
This 2-seat sofa features steel tube legs and crossbars assembled to a bent sheet metal seat with canvas tightened over the steel frame. Cushions with anti-slip material on the back side of the seat are placed inside the frame. Arrives flat pack for easy assembly.

### Dimensions



35 1/8"

67 3/4"



32 3/8"

15 3/4"

## Specification Information

### Step 1.

**HCAN2** A \$4278

### Step 2. Base Finish

**BPS** black powder coated steel A +\$0

**CHS** chromed steel A +\$340

### Step 3. Upholstery Fabric

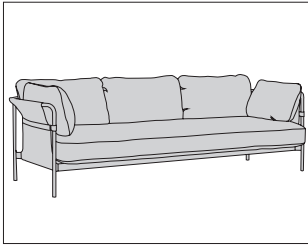
Price Category (HAY) 2 +\$0

### Step 4. Outside Fabric

Price Category (HAY) 1 +\$0

# Can Seating, 3 Seat

HCAN3

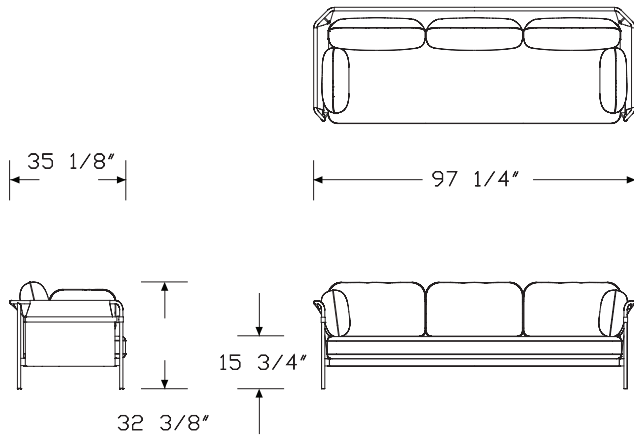


### Product Information

#### Description

This 3-seat sofa features steel tube legs and crossbars assembled to a bent sheet metal seat with canvas tightened over the steel frame. Cushions with anti-slip material on the back side of the seat are placed inside the frame. Arrives flat pack for easy assembly.

#### Dimensions



### Specification Information

#### Step 1.

**HCAN3** [A] \$5244

#### Step 2. Base Finish

**BPS** black powder coated steel [A] +\$0

**CHS** chromed steel [A] +\$420

#### Step 3. Upholstery Fabric

Price Category (HAY) 2 +\$0

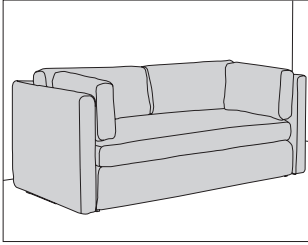
#### Step 4. Outside Fabric

Price Category (HAY) 1 +\$0

HAY Sofas

# Hackney Seating, 2 Seat

HCK2



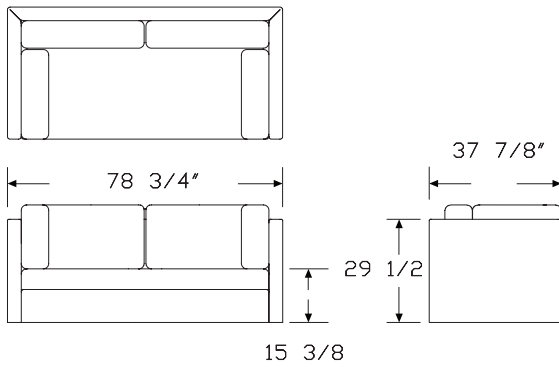
HAY Sofas

## Product Information

### Description

This sofa has a wood frame with polyurethane foam and a spring system. Available in 2- or 3-seat models.

### Dimensions



## Specification Information

### Step 1.

**HCK2** A \$5000

### Step 2. Base Finish

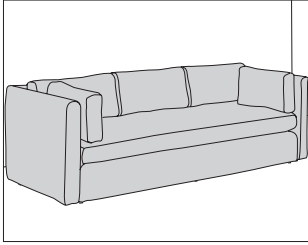
**BSP** black stained pinewood A +\$0

### Step 3. Fabric

Price Category (HAY) 1 +\$0  
 Price Category (HAY) 2 +\$341  
 Price Category (HAY) 3 +\$390  
 Price Category (HAY) 4 +\$610  
 Price Category (HAY) 5 +\$2195

# Hackney Seating, 3 Seat

HCK3

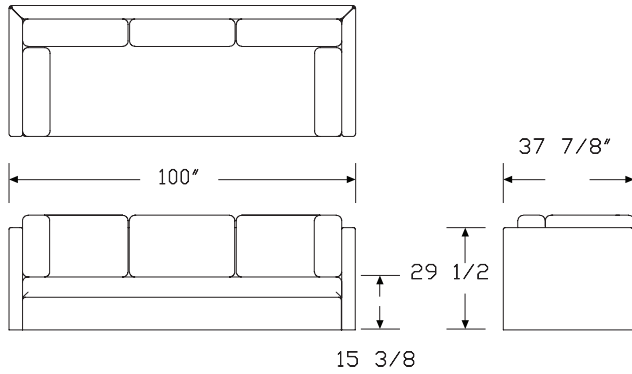


### Product Information

#### Description

This sofa has a wood frame with polyurethane foam and a spring system. Available in 2- or 3-seat models.

#### Dimensions



### Specification Information

#### Step 1.

**HCK3** A \$5854

#### Step 2. Base Finish

**BSP** black stained pinewood A +\$0

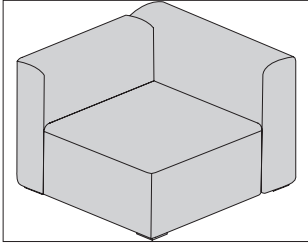
#### Step 3. Fabric

Price Category (HAY) 1 +\$0  
 Price Category (HAY) 2 +\$451  
 Price Category (HAY) 3 +\$515  
 Price Category (HAY) 4 +\$805  
 Price Category (HAY) 5 +\$2898

HAY Sofas

Mags Lounge Seating Narrow  
Straight Unit, Right End

MAGS1



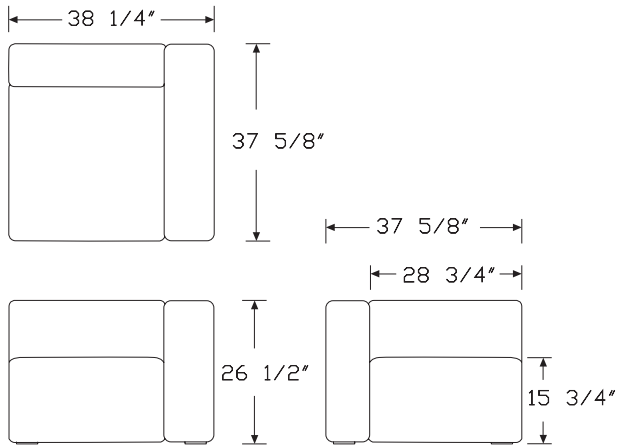
HAY Sofas

**Product Information**

Description

This modular seating unit has a wooden frame with polyurethane spring system. Solid wood legs include felt pads.

Dimensions



**Specification Information**

Step 1.

**MAGS1061**  A

Step 2. Material Selection

**04** fully upholstered  A

Prices for Steps 1-2.

**MAGS1061 04** \$1917

Step 3. Base Finish

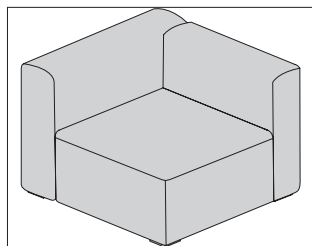
**BSP** black stained pinewood  A +\$0

Step 4. Fabric

Price Category (HAY) 1 +\$0  
 Price Category (HAY) 2 +\$134  
 Price Category (HAY) 3 +\$153  
 Price Category (HAY) 4 +\$238  
 Price Category (HAY) 5 +\$857

Mags Lounge Seating Narrow  
Straight Unit, Left End

MAGS1

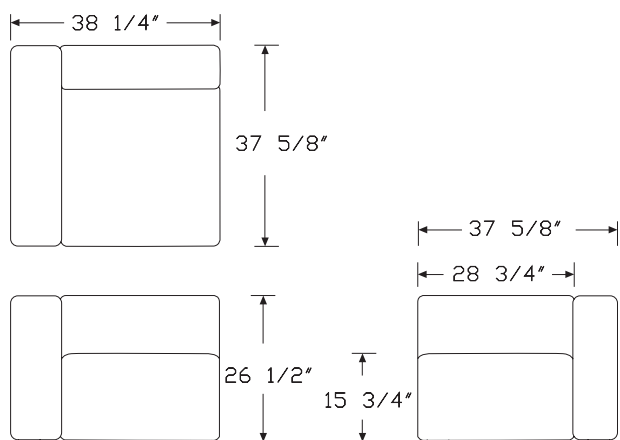


**Product Information**

**Description**

This modular seating unit has a wooden frame with polyurethane spring system. Solid wood legs include felt pads.

**Dimensions**



**Specification Information**

**Step 1.**

**MAGS1062** [A]

**Step 2. Material Selection**

**04** fully upholstered [A]

**Prices for Steps 1-2.**

**MAGS1062 04** \$1917

**Step 3. Base Finish**

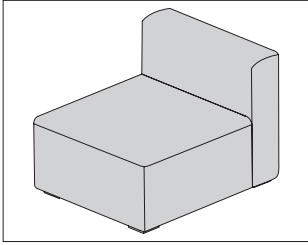
**BSP** black stained pinewood [A] +\$0

**Step 4. Fabric**

Price Category (HAY) 1 +\$0  
 Price Category (HAY) 2 +\$134  
 Price Category (HAY) 3 +\$153  
 Price Category (HAY) 4 +\$238  
 Price Category (HAY) 5 +\$857

Mags Lounge Seating Narrow  
Straight Unit, Middle

MAGS1

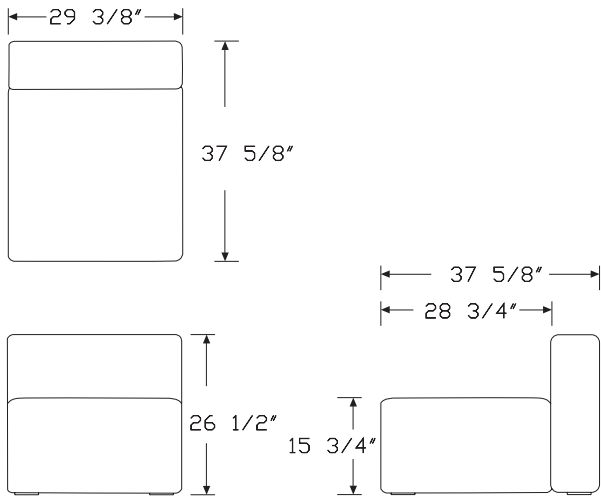


HAY Sofas

**Product Information**

**Description**  
This modular seating unit has a wooden frame with polyurethane spring system. Solid wood legs include felt pads.

**Dimensions**



**Specification Information**

Step 1.

**MAGS1063**  A

Step 2. Material Selection

**04** fully upholstered  A

Prices for Steps 1-2.

**MAGS1063 04** \$1388

Step 3. Base Finish

**BSP** black stained pinewood  A +\$0

Step 4. Fabric

Price Category (HAY) 1 +\$0

Price Category (HAY) 2 +\$93

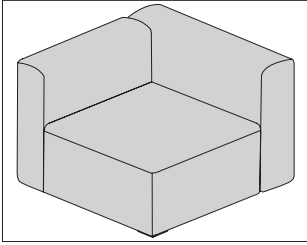
Price Category (HAY) 3 +\$106

Price Category (HAY) 4 +\$165

Price Category (HAY) 5 +\$593



# Mags Lounge Seating Corner Unit, MAGS1 Right End

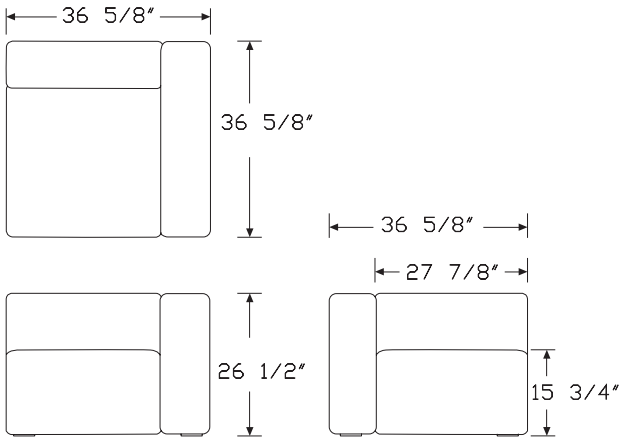


## Product Information

### Description

This modular seating unit has a wooden frame with polyurethane spring system. Solid wood legs include felt pads.

### Dimensions



## Specification Information

### Step 1.

**MAGS1861** A

### Step 2. Material Selection

**04** fully upholstered A

### Prices for Steps 1-2.

**MAGS1861 04** \$1917

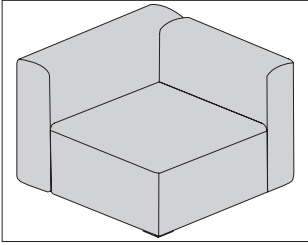
### Step 3. Base Finish

**BSP** black stained pinewood A +\$0

### Step 4. Fabric

Price Category (HAY) 1 +\$0  
 Price Category (HAY) 2 +\$134  
 Price Category (HAY) 3 +\$153  
 Price Category (HAY) 4 +\$238  
 Price Category (HAY) 5 +\$857

# Mags Lounge Seating Corner Unit, MAGS1 Left End

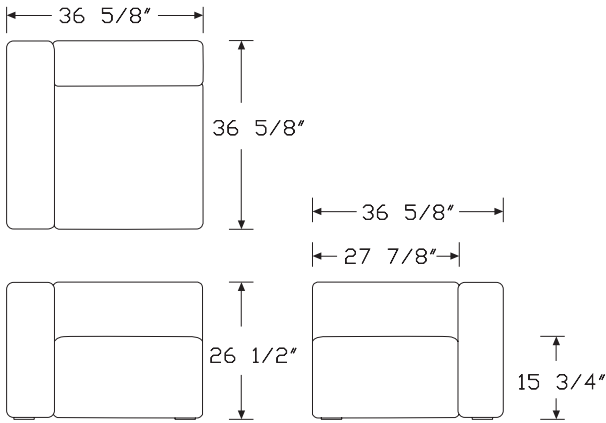


HAY Sofas

## Product Information

**Description**  
This modular seating unit has a wooden frame with polyurethane spring system. Solid wood legs include felt pads.

## Dimensions



## Specification Information

Step 1.

**MAGS1862** A

Step 2. Material Selection

**04** fully upholstered A

Prices for Steps 1-2.

**MAGS1862 04** \$1917

Step 3. Base Finish

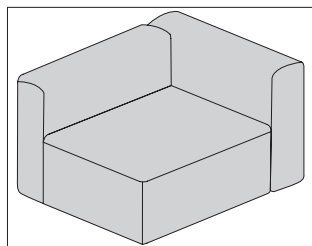
**BSP** black stained pinewood A +\$0

Step 4. Fabric

Price Category (HAY) 1	+\$0
Price Category (HAY) 2	+\$134
Price Category (HAY) 3	+\$153
Price Category (HAY) 4	+\$238
Price Category (HAY) 5	+\$857

Mags Lounge Seating Wide  
Straight Unit, Right End

MAGS1

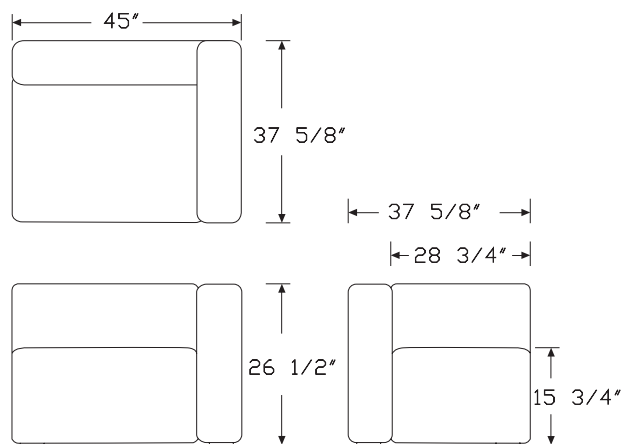


**Product Information**

**Description**

This modular seating unit has a wooden frame with polyurethane spring system. Solid wood legs include felt pads.

**Dimensions**



**Specification Information**

**Step 1.**

**MAGS1961**  A

**Step 2. Material Selection**

**04** fully upholstered  A

**Prices for Steps 1-2.**

**MAGS1961 04** \$2276

**Step 3. Base Finish**

**BSP** black stained pinewood  A +\$0

**Step 4. Fabric**

Price Category (HAY) 1 +\$0

Price Category (HAY) 2 +\$144

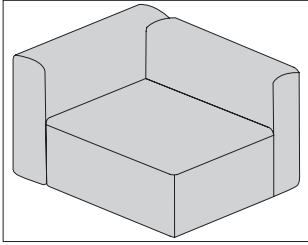
Price Category (HAY) 3 +\$164

Price Category (HAY) 4 +\$257

Price Category (HAY) 5 +\$922

Mags Lounge Seating Wide  
Straight Unit, Left End

MAGS1



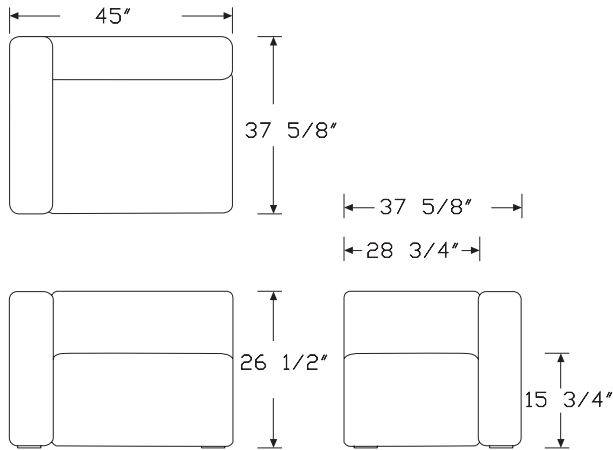
HAY Sofas

**Product Information**

Description

This modular seating unit has a wooden frame with polyurethane spring system. Solid wood legs include felt pads.

Dimensions



**Specification Information**

Step 1.

**MAGS1962** [A]

Step 2. Material Selection

**04** fully upholstered [A]

Prices for Steps 1-2.

**MAGS1962 04** \$2276

Step 3. Base Finish

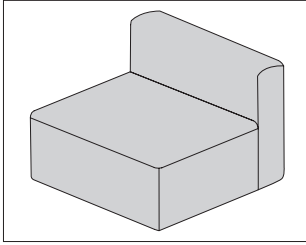
**BSP** black stained pinewood [A] +\$0

Step 4. Fabric

Price Category (HAY) 1 +\$0  
 Price Category (HAY) 2 +\$144  
 Price Category (HAY) 3 +\$164  
 Price Category (HAY) 4 +\$257  
 Price Category (HAY) 5 +\$922

Mags Lounge Seating Wide  
Straight Unit, Middle

MAGS1

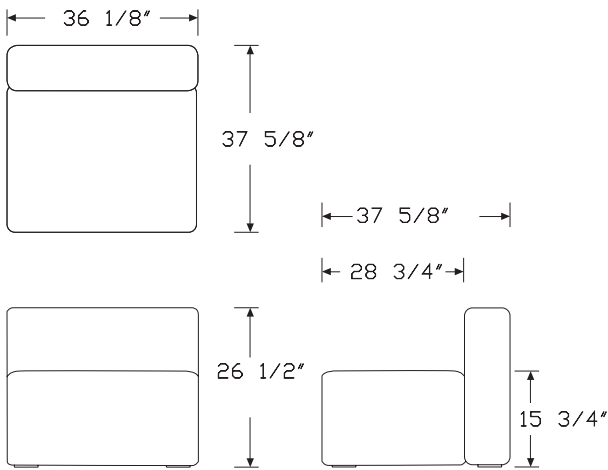


**Product Information**

Description

This modular seating unit has a wooden frame with polyurethane spring system. Solid wood legs include felt pads.

Dimensions



**Specification Information**

Step 1.

**MAGS1963** [A]

Step 2. Material Selection

**04** fully upholstered [A]

Prices for Steps 1-2.

**MAGS1963 04** \$1917

Step 3. Base Finish

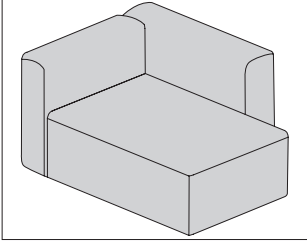
**BSP** black stained pinewood [A] +\$0

Step 4. Fabric

Price Category (HAY) 1 +\$0  
 Price Category (HAY) 2 +\$103  
 Price Category (HAY) 3 +\$118  
 Price Category (HAY) 4 +\$183  
 Price Category (HAY) 5 +\$659

Mags Lounge Seating Narrow  
Short Chaise Lounge Unit, Right  
End

MAGS8

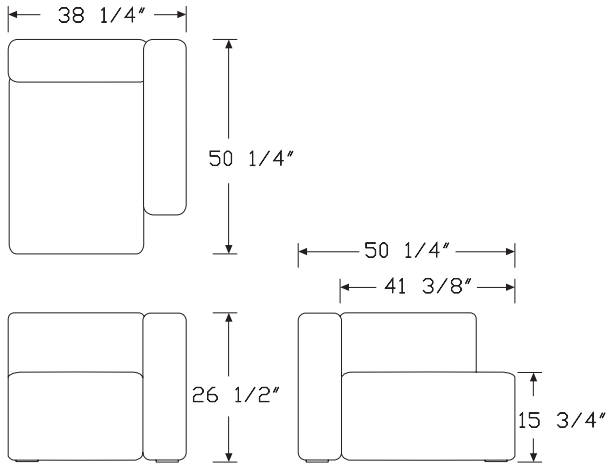


HAY Sofas

**Product Information**

**Description**  
This modular seating unit has a wooden frame with polyurethane spring system. Solid wood legs include felt pads.

**Dimensions**



**Specification Information**

Step 1.

**MAGS8161**  A

Step 2. Material Selection

**04** fully upholstered  A

Prices for Steps 1-2.

**MAGS8161 04** \$2376

Step 3. Base Finish

**BSP** black stained pinewood  A +\$0

Step 4. Fabric

Price Category (HAY) 1 +\$0

Price Category (HAY) 2 +\$161

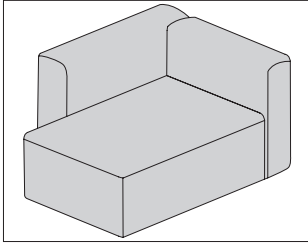
Price Category (HAY) 3 +\$184

Price Category (HAY) 4 +\$287

Price Category (HAY) 5 +\$1032

Mags Lounge Seating Narrow  
Short Chaise Lounge Unit, Left  
End

MAGS8

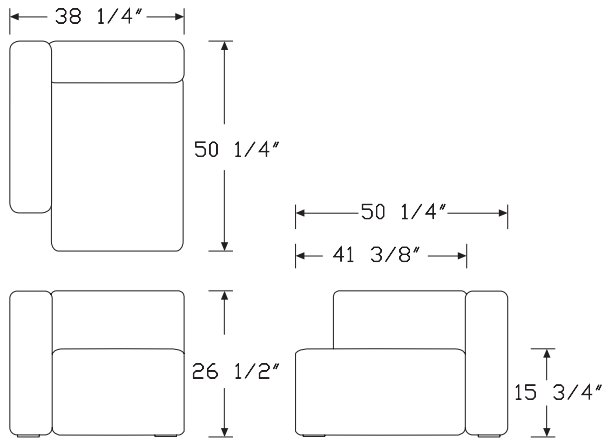


**Product Information**

Description

This modular seating unit has a wooden frame with polyurethane spring system. Solid wood legs include felt pads.

Dimensions



**Specification Information**

Step 1.

**MAGS8162**  A

Step 2. Material Selection

**04** fully upholstered  A

Prices for Steps 1-2.

**MAGS8162 04** \$2376

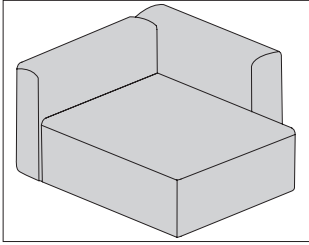
Step 3. Base Finish

**BSP** black stained pinewood  A +\$0

Step 4. Fabric

Price Category (HAY) 1 +\$0  
 Price Category (HAY) 2 +\$161  
 Price Category (HAY) 3 +\$184  
 Price Category (HAY) 4 +\$287  
 Price Category (HAY) 5 +\$1032

Mags Lounge Seating Wide Short Chaise Lounge Unit, Right End MAGS8

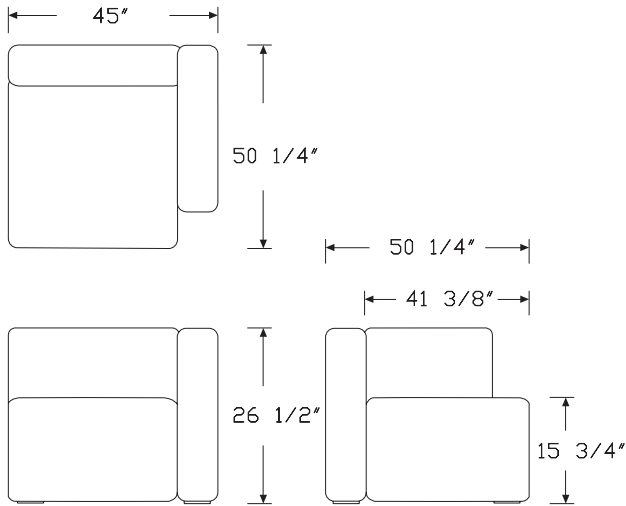


HAY Sofas

**Product Information**

**Description**  
 This modular seating unit has a wooden frame with polyurethane spring system. Solid wood legs include felt pads.

**Dimensions**



**Specification Information**

Step 1.

**MAGS8261** [A]

Step 2. Material Selection

**04** fully upholstered [A]

Prices for Steps 1-2.

**MAGS8261 04** \$2739

Step 3. Base Finish

**BSP** black stained pinewood [A] +\$0

Step 4. Fabric

Price Category (HAY) 1 +\$0

Price Category (HAY) 2 +\$178

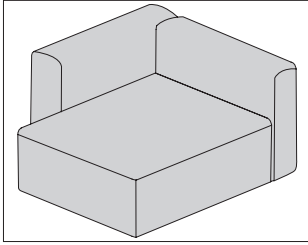
Price Category (HAY) 3 +\$203

Price Category (HAY) 4 +\$318

Price Category (HAY) 5 +\$1142



Mags Lounge Seating Wide Short Chaise Lounge Unit, Left End MAGS8

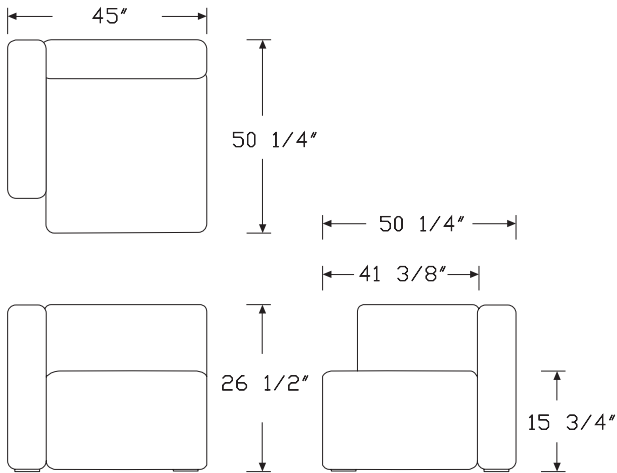


**Product Information**

**Description**

This modular seating unit has a wooden frame with polyurethane spring system. Solid wood legs include felt pads.

**Dimensions**



**Specification Information**

**Step 1.**

**MAGS8262** [A]

**Step 2. Material Selection**

**04** fully upholstered [A]

**Prices for Steps 1-2.**

**MAGS8262 04** \$2739

**Step 3. Base Finish**

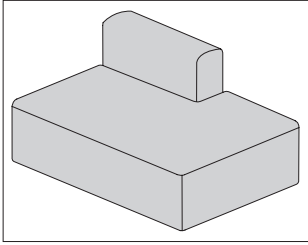
**BSP** black stained pinewood [A] +\$0

**Step 4. Fabric**

Price Category (HAY) 1 +\$0  
 Price Category (HAY) 2 +\$178  
 Price Category (HAY) 3 +\$203  
 Price Category (HAY) 4 +\$318  
 Price Category (HAY) 5 +\$1142

Mags Lounge Seating Lounge  
Straight Unit, Right End

MAGS9

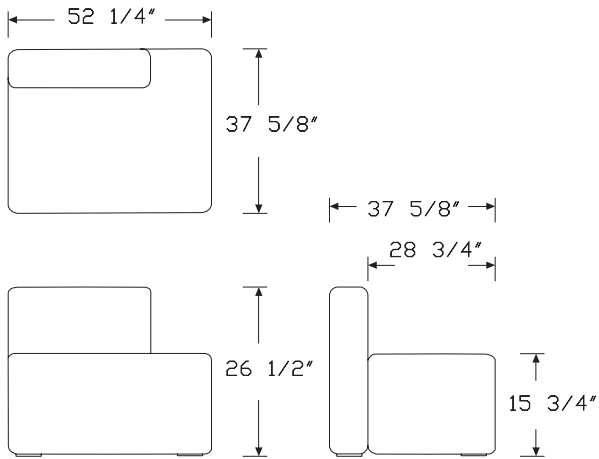


HAY Sofas

**Product Information**

**Description**  
This modular seating unit has a wooden frame with polyurethane spring system. Solid wood legs include felt pads.

**Dimensions**



**Specification Information**

Step 1.

**MAGS9302**  A

Step 2. Material Selection

**04** fully upholstered  A

Prices for Steps 1-2.

**MAGS9302 04** \$2266

Step 3. Base Finish

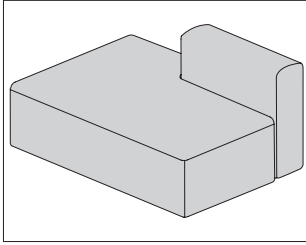
**BSP** black stained pinewood  A +\$0

Step 4. Fabric

Price Category (HAY) 1 +\$0  
 Price Category (HAY) 2 +\$120  
 Price Category (HAY) 3 +\$137  
 Price Category (HAY) 4 +\$214  
 Price Category (HAY) 5 +\$769

Mags Lounge Seating Lounge  
Straight Unit, Left End

MAGS9

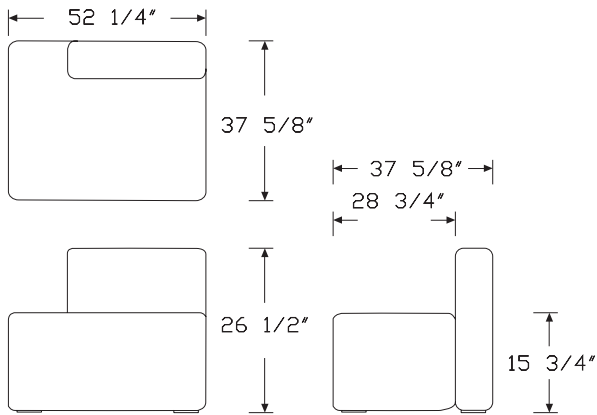


**Product Information**

**Description**

This modular seating unit has a wooden frame with polyurethane spring system. Solid wood legs include felt pads.

**Dimensions**



**Specification Information**

Step 1.

**MAGS9301**  A

Step 2. Material Selection

**04** fully upholstered  A

Prices for Steps 1-2.

**MAGS9301 04** \$2266

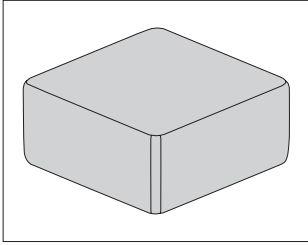
Step 3. Base Finish

**BSP** black stained pinewood  A +\$0

Step 4. Fabric

Price Category (HAY) 1 +\$0  
 Price Category (HAY) 2 +\$120  
 Price Category (HAY) 3 +\$137  
 Price Category (HAY) 4 +\$214  
 Price Category (HAY) 5 +\$769

Mags Lounge Seating Ottoman, MAGS0  
Extra Small

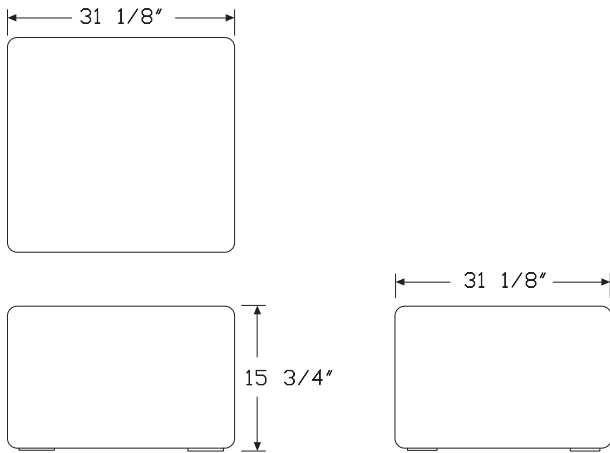


HAY Sofas

**Product Information**

**Description**  
This extra small ottoman has a wooden frame with polyurethane spring system. Solid wood legs include felt pads.

**Dimensions**



**Specification Information**

Step 1.

**MAGS01**  A

Step 2. Material Selection

**04** fully upholstered  A

Prices for Steps 1-2.

**MAGS01 04** \$1144

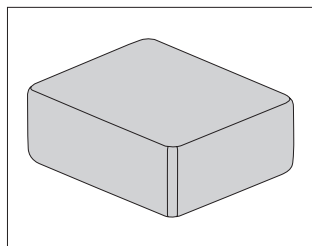
Step 3. Base Finish

**BSP** black stained pinewood  A +\$0

Step 4. Fabric

Price Category (HAY) 1 +\$0  
 Price Category (HAY) 2 +\$69  
 Price Category (HAY) 3 +\$79  
 Price Category (HAY) 4 +\$122  
 Price Category (HAY) 5 +\$440

Mags Lounge Seating Ottoman, Small      MAGS0

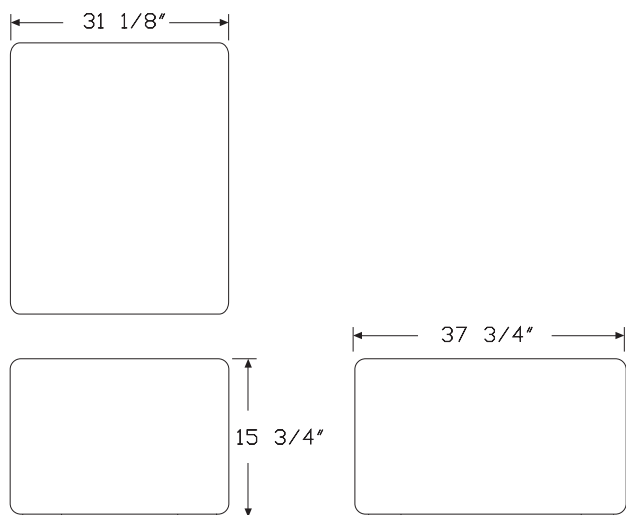


**Product Information**

Description

This small ottoman has a wooden frame with polyurethane spring system. Solid wood legs include felt pads.

Dimensions



**Specification Information**

Step 1.

**MAGS02**  A

Step 2. Material Selection

**04** fully upholstered  A

Prices for Steps 1-2.

**MAGS02 04** \$1176

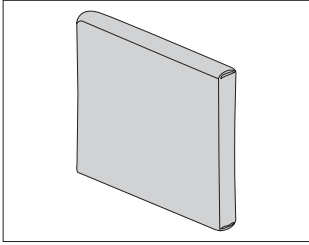
Step 3. Base Finish

**BSP** black stained pinewood  A +\$0

Step 4. Fabric

Price Category (HAY) 1 +\$0  
 Price Category (HAY) 2 +\$69  
 Price Category (HAY) 3 +\$79  
 Price Category (HAY) 4 +\$122  
 Price Category (HAY) 5 +\$440

Mags Lounge Seating Cushion, MAGS9  
Narrow



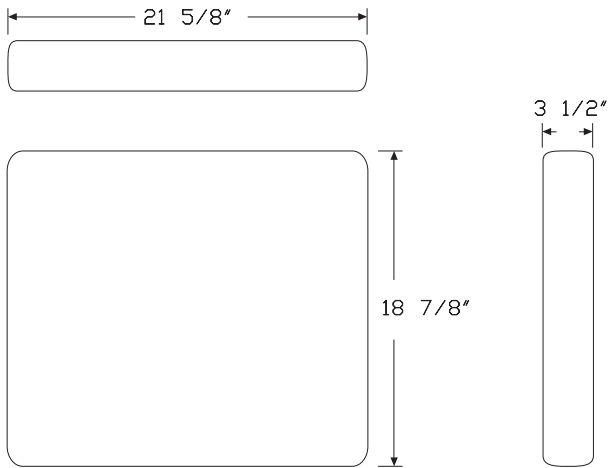
HAY Sofas

**Product Information**

Description

This square cushion is made of durable, high-density foam covered with down padding. It is available in a wide range of high quality upholstery options.

Dimensions



**Specification Information**

Step 1.

**MAGS9**  A

Step 2. Material Selection

**04** fully upholstered  A

Prices for Steps 1-2.

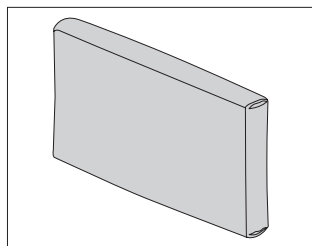
**MAGS9 04** \$222

Step 3. Fabric

Price Category (HAY) 1	+\$0
Price Category (HAY) 2	+\$24
Price Category (HAY) 3	+\$28
Price Category (HAY) 4	+\$43
Price Category (HAY) 5	+\$154

# Mags Lounge Seating Cushion, Wide

MAGS1

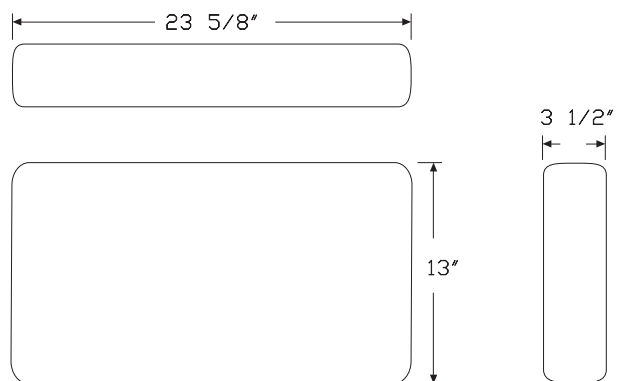


### Product Information

#### Description

This rectangular cushion is made of durable, high-density foam covered in a wide range of high quality upholstery options.

#### Dimensions



### Specification Information

#### Step 1.

**MAGS10**  A

#### Step 2. Material Selection

**04** fully upholstered  A

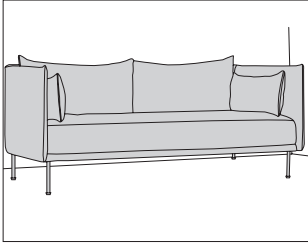
#### Prices for Steps 1-2.

**MAGS10 04** \$215

#### Step 3. Fabric

Price Category (HAY) 1	+\$0
Price Category (HAY) 2	+\$48
Price Category (HAY) 3	+\$55
Price Category (HAY) 4	+\$86
Price Category (HAY) 5	+\$308

Silhouette Sofa, 2 Seat, Low Back HSS21



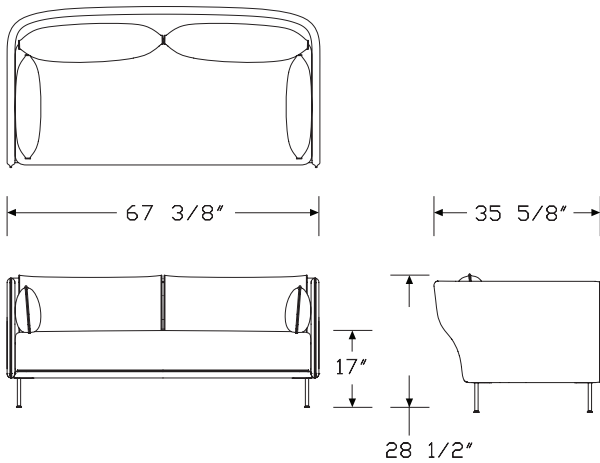
HAY Sofas

**Product Information**

**Description**

This upholstered low-back 2-seat sofa is available with steel or wood legs in several finishes.

**Dimensions**



**Specification Information**

**Step 1.**

**HSS21**  A

**Step 2. Material Selection**

**04** fully upholstered  A

**Prices for Steps 1-2.**

**HSS21 04** \$4549

**Step 3. Base Finish**

**BPS** black powder coated steel  A +\$0

**CHS** chromed steel  A +\$70

**Step 4. Glide Option**

**SDG** standard glides  A +\$0

**Step 5. Piping Material**

**M** matching  A +\$0

**Step 6. Fabric**

Price Category (HAY) 1 +\$0

Price Category (HAY) 2 +\$299

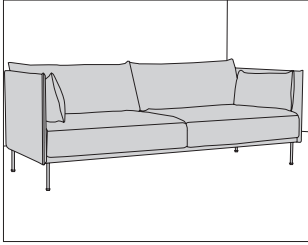
Price Category (HAY) 3 +\$343

Price Category (HAY) 4 +\$537

Price Category (HAY) 5 +\$1936



Silhouette Sofa, 3 Seat, Low Back HSS31

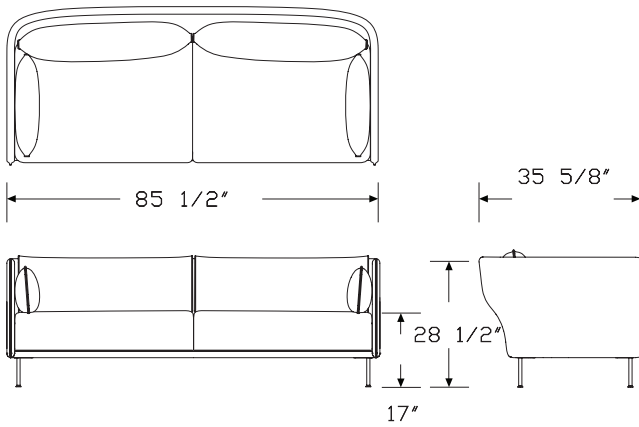


**Product Information**

**Description**

This upholstered low-back 3-seat sofa is available with steel or wood legs in several finishes.

**Dimensions**



**Specification Information**

Step 1.

**HSS31**

Step 2. Material Selection

**04** fully upholstered

Prices for Steps 1-2.

**HSS31 04** \$5524

Step 3. Base Finish

**BPS** black powder coated steel  +\$0

**CHS** chromed steel  +\$70

Step 4. Glide Option

**SDG** standard glides  +\$0

Step 5. Piping Material

**M** matching  +\$0

Step 6. Fabric

Price Category (HAY) 1 +\$0

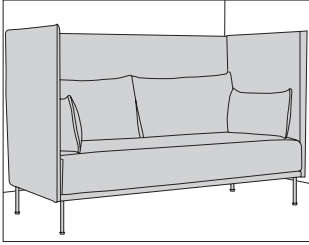
Price Category (HAY) 2 +\$360

Price Category (HAY) 3 +\$413

Price Category (HAY) 4 +\$647

Price Category (HAY) 5 +\$2332

# Silhouette Sofa, 2 Seat, High Back HSSH2



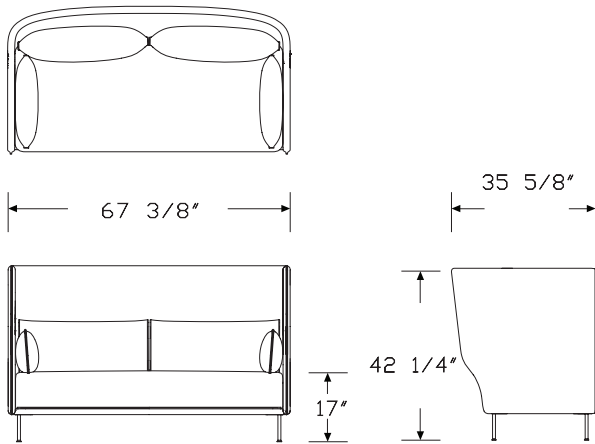
HAY Sofas

## Product Information

### Description

This upholstered high-back 2-seat sofa is available with steel or wood legs in several finishes.

### Dimensions



## Specification Information

### Step 1.

**HSSH21**  A

### Step 2. Material Selection

**04** fully upholstered  A

### Prices for Steps 1-2.

**HSSH21 04** \$6256

### Step 3. Base Finish

**BPS** black powder coated steel  A +\$0

**CHS** chromed steel  A +\$70

### Step 4. Glide Option

**SDG** standard glides  A +\$0

### Step 5. Piping Material

**M** matching  A +\$0

### Step 6. Fabric

Price Category (HAY) 1 +\$0

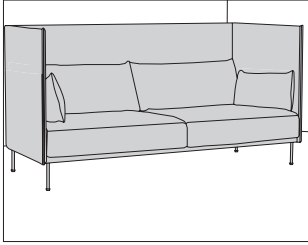
Price Category (HAY) 2 +\$452

Price Category (HAY) 3 +\$519

Price Category (HAY) 4 +\$811

Price Category (HAY) 5 +\$2926

# Silhouette Sofa, 3 Seat, High Back HSSH3

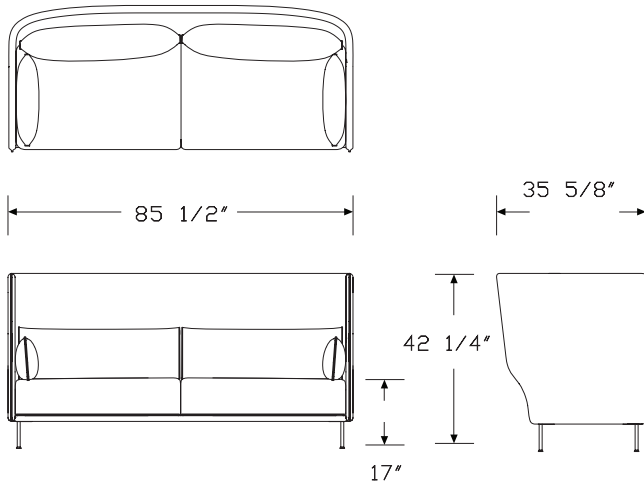


## Product Information

### Description

This upholstered high-back 3-seat sofa is available with steel or wood legs in several finishes.

### Dimensions



## Specification Information

### Step 1.

**HSSH31**  A

### Step 2. Material Selection

**04** fully upholstered  A

### Prices for Steps 1-2.

**HSSH31 04** \$7963

### Step 3. Base Finish

**BPS** black powder coated steel  A +\$0

**CHS** chromed steel  A +\$70

### Step 4. Glide Option

**SDG** standard glides  A +\$0

### Step 5. Piping Material

**M** matching  A +\$0

### Step 6. Fabric

Price Category (HAY) 1 +\$0

Price Category (HAY) 2 +\$459

Price Category (HAY) 3 +\$527

Price Category (HAY) 4 +\$824

Price Category (HAY) 5 +\$2970



**About A Chair**

**Chairs**

**Stools**

**About A Chair 100**



# About A Chair 14, 4-Star Casters, Armless AAC14

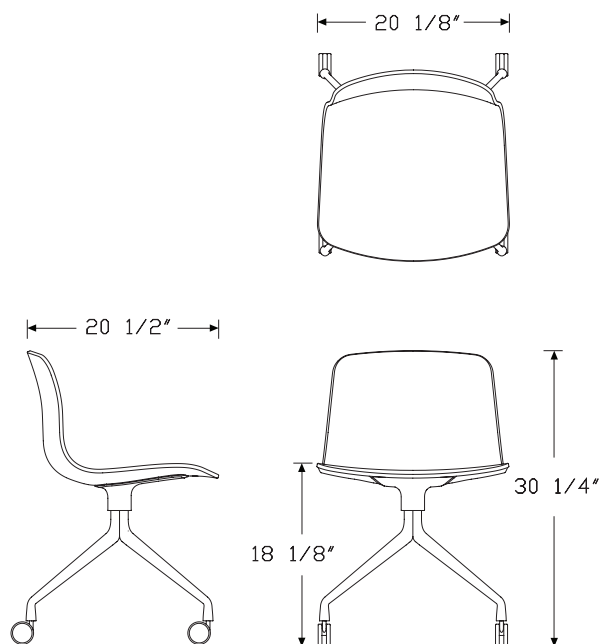


## Product Information

### Description

This chair has a polypropylene seat available in a variety of finishes and optional seat, front-edge or full upholstery. The 4-star aluminum base with casters has 3 finish options.

### Dimensions



## Specification Information

### Step 1.

**AAC14**

### Step 2. Material Selection

- 01** polypropylene shell, non-upholstered
- 02** polypropylene shell, front upholstery
- 03** polypropylene shell, seat upholstery

### Prices for Steps 1-2.

<b>AAC14 01</b>	\$598
<b>02</b>	\$793
<b>03</b>	\$720

### Step 3. Polypropylene Shell Finish

<b>BLK</b> black <input type="checkbox"/>	+\$0
<b>BRK</b> brick <input type="checkbox"/>	+\$0
<b>CNG</b> concrete grey <input type="checkbox"/>	+\$0
<b>CWT</b> cream white <input type="checkbox"/>	+\$0
<b>DTB</b> dusty blue <input type="checkbox"/>	+\$0
<b>DTG</b> dusty green <input type="checkbox"/>	+\$0
<b>GRN</b> green <input type="checkbox"/>	+\$0
<b>GRY</b> grey <input type="checkbox"/>	+\$0
<b>KHK</b> khaki <input type="checkbox"/>	+\$0
<b>MTD</b> mustard <input type="checkbox"/>	+\$0
<b>ORG</b> orange <input type="checkbox"/>	+\$0
<b>PSG</b> pastel green <input type="checkbox"/>	+\$0
<b>SBK</b> soft black <input type="checkbox"/>	+\$0
<b>WHT</b> white <input type="checkbox"/>	+\$0
<b>WRD</b> warm red <input type="checkbox"/>	+\$0

### Step 4. Base Finish

<b>PAL</b> polished aluminum <input type="checkbox"/>	+\$0
<b>BPA</b> black powder coated aluminum <input type="checkbox"/>	+\$0
<b>WPA</b> white powder coated aluminum <input type="checkbox"/>	+\$0

### Step 5. Fabric

*For polypropylene shell, front upholstery (02) or polypropylene shell, seat upholstery (03)*

Price Category (HAY) 1	+\$0
Price Category (HAY) 2	+\$19
Price Category (HAY) 3	+\$22
Price Category (HAY) 4	+\$34
Price Category (HAY) 5	+\$121

About A Chair 15, 4-Star Casters, AAC15  
 Armless, Fully Upholstered



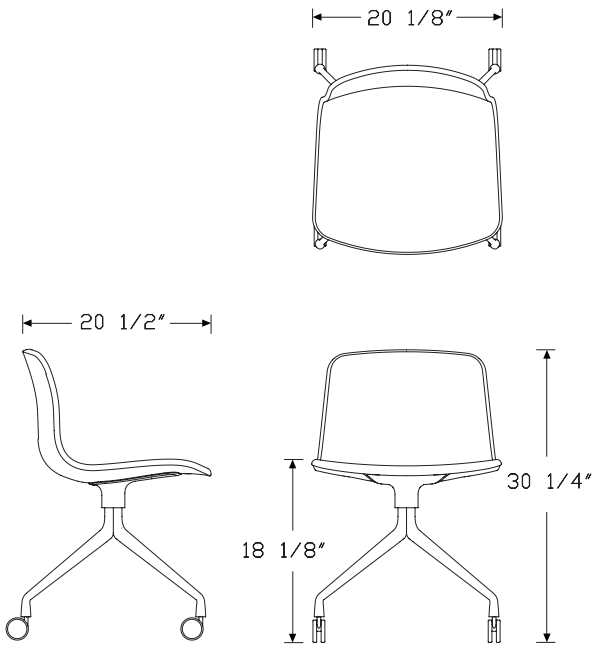
HAY About A Chair

**Product Information**

**Description**

This chair has a polypropylene seat available in a variety of finishes and optional seat, front-edge or full upholstery. The 4-star aluminum base with casters has 3 finish options.

**Dimensions**



**Specification Information**

**Step 1.**

**AAC15**  A

**Step 2. Material Selection**

**04** fully upholstered  A

**Prices for Steps 1-2.**

**AAC15 04** \$866

**Step 3. Base Finish**

**PAL** polished aluminum  A +\$0

**BPA** black powder coated aluminum  A +\$0

**WPA** white powder coated aluminum  A +\$0

**Step 4. Fabric**

Price Category (HAY) 1 +\$0

Price Category (HAY) 2 +\$24

Price Category (HAY) 3 +\$28

Price Category (HAY) 4 +\$43

Price Category (HAY) 5 +\$154



# About A Chair 10, 4-Star Glides, Armless AAC10

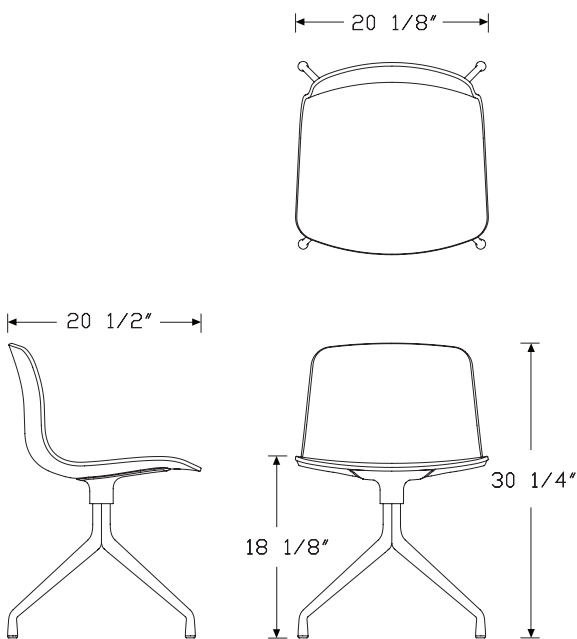


## Product Information

### Description

This chair has a polypropylene seat available in a variety of finishes and optional seat, front-edge or full upholstery. Swivel base is steel finished in stainless steel, black or white powder coat and has standard or felt glides.

### Dimensions



## Specification Information

### Step 1.

**AAC10**

### Step 2. Material Selection

- 01** polypropylene shell, non-upholstered
- 02** polypropylene shell, front upholstery
- 03** polypropylene shell, seat upholstery

### Prices for Steps 1-2.

<b>AAC10 01</b>	\$500
<b>02</b>	\$695
<b>03</b>	\$622

### Step 3. Polypropylene Shell Finish

<b>BLK</b> black <input type="checkbox"/>	+\$0
<b>BRK</b> brick <input type="checkbox"/>	+\$0
<b>CNG</b> concrete grey <input type="checkbox"/>	+\$0
<b>CWT</b> cream white <input type="checkbox"/>	+\$0
<b>DTB</b> dusty blue <input type="checkbox"/>	+\$0
<b>DTG</b> dusty green <input type="checkbox"/>	+\$0
<b>GRN</b> green <input type="checkbox"/>	+\$0
<b>GRY</b> grey <input type="checkbox"/>	+\$0
<b>KHK</b> khaki <input type="checkbox"/>	+\$0
<b>MTD</b> mustard <input type="checkbox"/>	+\$0
<b>ORG</b> orange <input type="checkbox"/>	+\$0
<b>PSG</b> pastel green <input type="checkbox"/>	+\$0
<b>SBK</b> soft black <input type="checkbox"/>	+\$0
<b>WHT</b> white <input type="checkbox"/>	+\$0
<b>WRD</b> warm red <input type="checkbox"/>	+\$0

### Step 4. Base Finish

<b>PAL</b> polished aluminum <input type="checkbox"/>	+\$0
<b>BPA</b> black powder coated aluminum <input type="checkbox"/>	+\$0
<b>WPA</b> white powder coated aluminum <input type="checkbox"/>	+\$0

### Step 5. Glide Option

<b>SDG</b> standard glides <input type="checkbox"/>	+\$0
<b>FGL</b> felt glides <input type="checkbox"/>	+\$17

# About A Chair 10, 4-Star Glides, Armless *continued*

HAY About A Chair

## Step 6. Fabric

*For polypropylene shell, front upholstery (o2) or polypropylene shell, seat upholstery (o3)*

Price Category (HAY) 1	+\$0
Price Category (HAY) 2	+\$19
Price Category (HAY) 3	+\$22
Price Category (HAY) 4	+\$34
Price Category (HAY) 5	+\$121

# About A Chair 11, 4-Star Glides, Armless, Fully Upholstered

AAC11

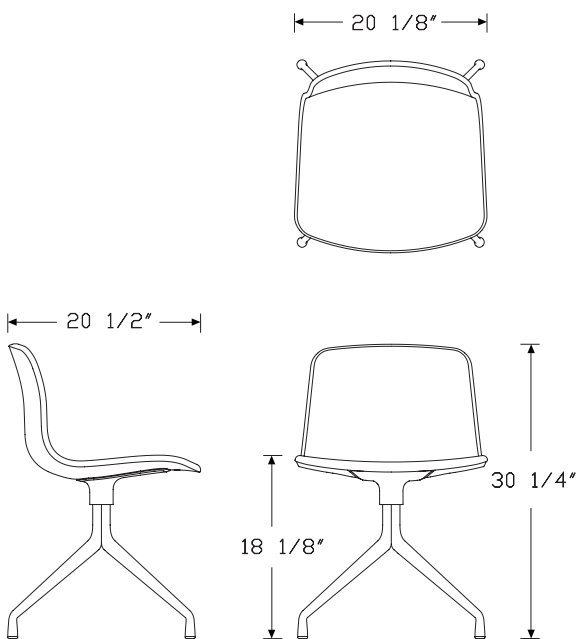


## Product Information

### Description

This chair has a polypropylene seat available in a variety of finishes and optional seat, front-edge or full upholstery. Swivel base is steel finished in stainless steel, black or white powder coat and has standard or felt glides.

### Dimensions



## Specification Information

### Step 1.

**AAC11**  A

### Step 2. Material Selection

**04** fully upholstered  A

### Prices for Steps 1-2.

**AAC11 04** \$768

### Step 3. Base Finish

**PAL** polished aluminum  A +\$0  
**BPA** black powder coated aluminum  A +\$0  
**WPA** white powder coated aluminum  A +\$0

### Step 4. Glide Option

**SDG** standard glides  A +\$0  
**FGL** felt glides  A +\$17

### Step 5. Fabric

Price Category (HAY) 1 +\$0  
 Price Category (HAY) 2 +\$24  
 Price Category (HAY) 3 +\$28  
 Price Category (HAY) 4 +\$43  
 Price Category (HAY) 5 +\$154

About A Chair 50, 5-Star Swivel, Armless AAC50



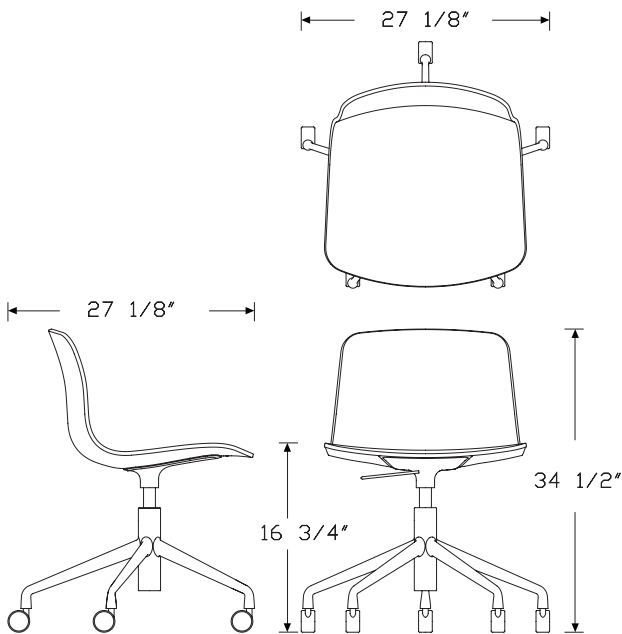
HAY About A Chair

**Product Information**

**Description**

This chair has a polypropylene seat available in a variety of finishes and optional seat, front-edge or full upholstery. The 5-star swivel base with casters has 3 finish options.

**Dimensions**



**Specification Information**

**Step 1.**

**AAC50**

**Step 2. Material Selection**

- 01** polypropylene shell, non-upholstered
- 02** polypropylene shell, front upholstery
- 03** polypropylene shell, seat upholstery

**Prices for Steps 1-2.**

<b>AAC50 01</b>	\$817
<b>02</b>	\$1012
<b>03</b>	\$939

**Step 3. Polypropylene Shell Finish**

<b>BLK</b> black <input type="checkbox"/>	+\$0
<b>BRK</b> brick <input type="checkbox"/>	+\$0
<b>CNG</b> concrete grey <input type="checkbox"/>	+\$0
<b>CWT</b> cream white <input type="checkbox"/>	+\$0
<b>DTB</b> dusty blue <input type="checkbox"/>	+\$0
<b>DTG</b> dusty green <input type="checkbox"/>	+\$0
<b>GRN</b> green <input type="checkbox"/>	+\$0
<b>GRY</b> grey <input type="checkbox"/>	+\$0
<b>KHK</b> khaki <input type="checkbox"/>	+\$0
<b>MTD</b> mustard <input type="checkbox"/>	+\$0
<b>ORG</b> orange <input type="checkbox"/>	+\$0
<b>PSG</b> pastel green <input type="checkbox"/>	+\$0
<b>SBK</b> soft black <input type="checkbox"/>	+\$0
<b>WHT</b> white <input type="checkbox"/>	+\$0
<b>WRD</b> warm red <input type="checkbox"/>	+\$0

**Step 4. Base Finish**

<b>PAL</b> polished aluminum <input type="checkbox"/>	+\$0
<b>BPA</b> black powder coated aluminum <input type="checkbox"/>	+\$0
<b>WPA</b> white powder coated aluminum <input type="checkbox"/>	+\$0

**Step 5. Fabric**

*For polypropylene shell, front upholstery (02) or polypropylene shell, seat upholstery (03)*

Price Category (HAY) 1	+\$0
Price Category (HAY) 2	+\$35
Price Category (HAY) 3	+\$40
Price Category (HAY) 4	+\$61
Price Category (HAY) 5	+\$220

About A Chair 51, 5-Star Swivel, Armless, Fully Upholstered AAC51

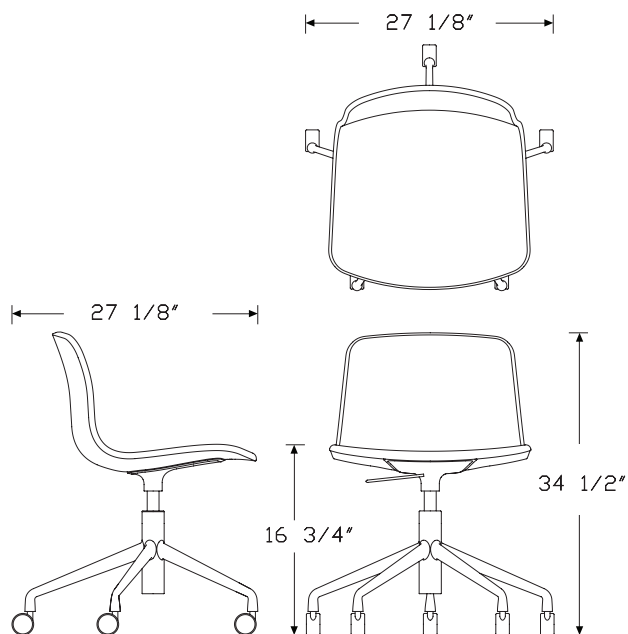


**Product Information**

**Description**

This chair has a polypropylene seat available in a variety of finishes and optional seat, front-edge or full upholstery. The 5-star swivel base with casters has 3 finish options.

**Dimensions**



**Specification Information**

**Step 1.**

**AAC51**  A

**Step 2. Material Selection**

**04** fully upholstered  A

**Prices for Steps 1-2.**

**AAC51 04** \$1085

**Step 3. Base Finish**

**PAL** polished aluminum  A +\$0

**BPA** black powder coated aluminum  A +\$0

**WPA** white powder coated aluminum  A +\$0

**Step 4. Fabric**

Price Category (HAY) 1 +\$0

Price Category (HAY) 2 +\$41

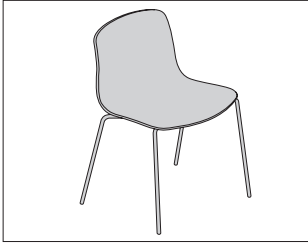
Price Category (HAY) 3 +\$47

Price Category (HAY) 4 +\$74

Price Category (HAY) 5 +\$264

About A Chair 16, Metal 4-Leg  
Base, Armless

AAC16



HAY About A Chair

**Product Information**

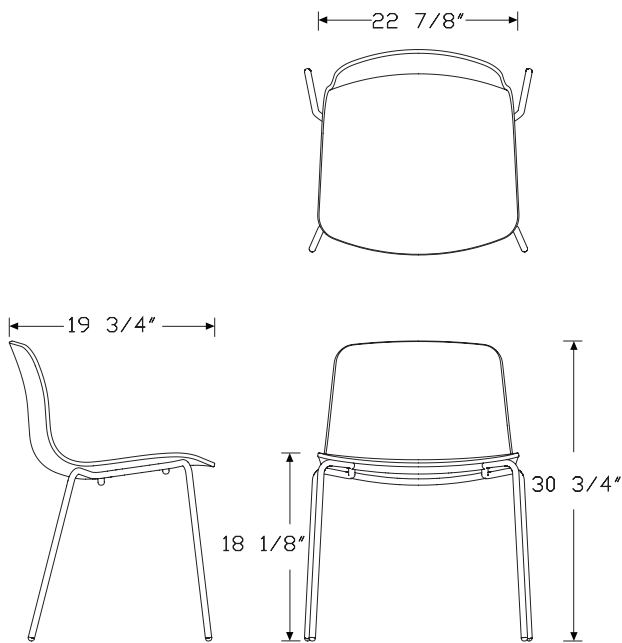
**Description**

This chair has a polypropylene seat available in a variety of finishes and optional seat, front-edge or full upholstery. The 4-leg steel base can be finished in black, white, or chrome. Chair is stackable up to 12 high.

**Notes**

Stacking of front-upholstered chairs is not recommended.

**Dimensions**



**Specification Information**

**Step 1.**

**AAC16**

**Step 2. Material Selection**

- 01** polypropylene shell, non-upholstered
- 02** polypropylene shell, front upholstery
- 03** polypropylene shell, seat upholstery

**Prices for Steps 1-2.**

<b>AAC16 01</b>	\$354
<b>02</b>	\$549
<b>03</b>	\$476

**Step 3. Polypropylene Shell Finish**

<b>BLK</b> black <input type="checkbox"/>	+\$0
<b>BRK</b> brick <input type="checkbox"/>	+\$0
<b>CNG</b> concrete grey <input type="checkbox"/>	+\$0
<b>CWT</b> cream white <input type="checkbox"/>	+\$0
<b>DTB</b> dusty blue <input type="checkbox"/>	+\$0
<b>DTG</b> dusty green <input type="checkbox"/>	+\$0
<b>GRN</b> green <input type="checkbox"/>	+\$0
<b>GRY</b> grey <input type="checkbox"/>	+\$0
<b>KHK</b> khaki <input type="checkbox"/>	+\$0
<b>MTD</b> mustard <input type="checkbox"/>	+\$0
<b>ORG</b> orange <input type="checkbox"/>	+\$0
<b>PSG</b> pastel green <input type="checkbox"/>	+\$0
<b>SBK</b> soft black <input type="checkbox"/>	+\$0
<b>WHT</b> white <input type="checkbox"/>	+\$0
<b>WRD</b> warm red <input type="checkbox"/>	+\$0

**Step 4. Base Finish**

<b>CHS</b> chromed steel <input type="checkbox"/>	+\$27
<b>BPS</b> black powder coated steel <input type="checkbox"/>	+\$0
<b>WPS</b> white powder coated steel <input type="checkbox"/>	+\$0

**Step 5. Glide Option**

<b>SDG</b> standard glides <input type="checkbox"/>	+\$0
<b>FGL</b> felt glides <input type="checkbox"/>	+\$17

## About A Chair 16, Metal 4-Leg Base, Armless *continued*

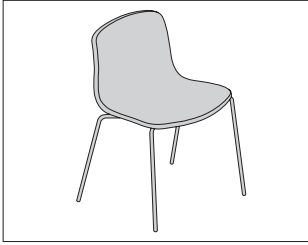
### Step 6. Fabric

*For polypropylene shell, front upholstery (o2) or polypropylene shell,  
seat upholstery (o3)*

Price Category (HAY) 1	+\$0
Price Category (HAY) 2	+\$19
Price Category (HAY) 3	+\$22
Price Category (HAY) 4	+\$34
Price Category (HAY) 5	+\$121

About A Chair 17, Metal 4-Leg  
Base, Armless, Fully Upholstered

AAC17



HAY About A Chair

**Product Information**

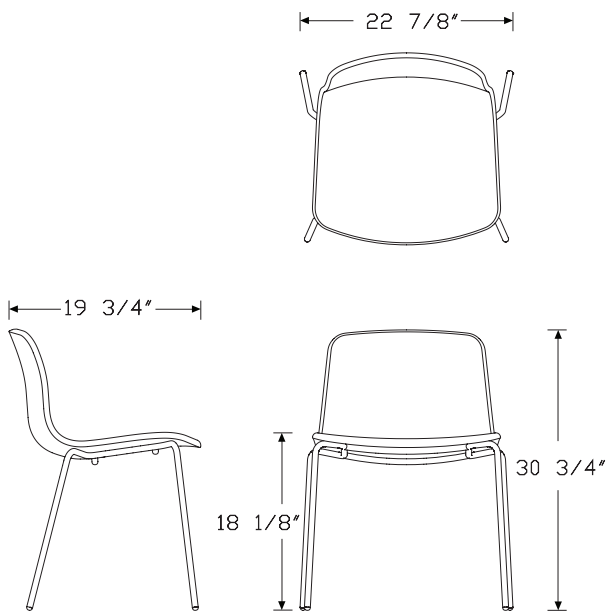
**Description**

This chair has a polypropylene seat available in a variety of finishes and optional seat, front-edge or full upholstery. The 4-leg steel base can be finished in black, white, or chrome. Chair is stackable up to 6 high.

**Notes**

Stacking of front-upholstered chairs is not recommended.

**Dimensions**



**Specification Information**

**Step 1.**

**AAC17**  A

**Step 2. Material Selection**

**04** fully upholstered  A

**Prices for Steps 1-2.**

**AAC17 04** \$622

**Step 3. Base Finish**

**CHS** chromed steel  A +\$27

**BPS** black powder coated steel  A +\$0

**WPS** white powder coated steel  A +\$0

**Step 4. Glide Option**

**SDG** standard glides  A +\$0

**FGL** felt glides  A +\$17

**Step 5. Fabric**

Price Category (HAY) 1 +\$0

Price Category (HAY) 2 +\$24

Price Category (HAY) 3 +\$28

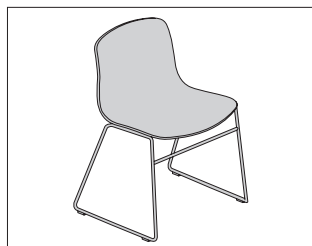
Price Category (HAY) 4 +\$43

Price Category (HAY) 5 +\$154



# About A Chair o8, Sled Base, Armless

AAC08



## Product Information

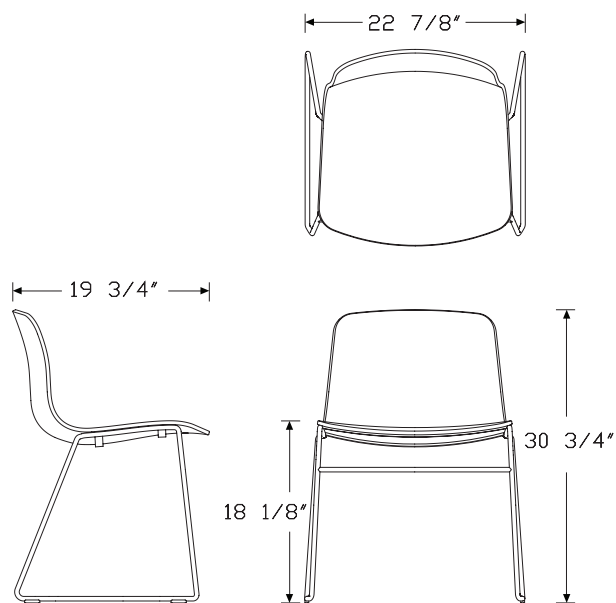
### Description

This chair has a polypropylene seat available in a variety of finishes and optional seat, front-edge or full upholstery. Sled base is steel finished in stainless steel, black or white powder coat. Chair is stackable up to 8 high.

### Notes

Stacking of front-upholstered chairs is not recommended.

### Dimensions



## Specification Information

### Step 1.

**AAC08**

### Step 2. Material Selection

- 01** polypropylene shell, non-upholstered
- 02** polypropylene shell, front upholstery
- 03** polypropylene shell, seat upholstery

### Prices for Steps 1-2.

<b>AAC08 01</b>	\$366
<b>02</b>	\$561
<b>03</b>	\$488

### Step 3. Polypropylene Shell Finish

<b>BLK</b> black <input type="checkbox"/>	+\$0
<b>BRK</b> brick <input type="checkbox"/>	+\$0
<b>CNG</b> concrete grey <input type="checkbox"/>	+\$0
<b>CWT</b> cream white <input type="checkbox"/>	+\$0
<b>DTB</b> dusty blue <input type="checkbox"/>	+\$0
<b>DTG</b> dusty green <input type="checkbox"/>	+\$0
<b>GRN</b> green <input type="checkbox"/>	+\$0
<b>GRY</b> grey <input type="checkbox"/>	+\$0
<b>KHK</b> khaki <input type="checkbox"/>	+\$0
<b>MTD</b> mustard <input type="checkbox"/>	+\$0
<b>ORG</b> orange <input type="checkbox"/>	+\$0
<b>PSG</b> pastel green <input type="checkbox"/>	+\$0
<b>SBK</b> soft black <input type="checkbox"/>	+\$0
<b>WHT</b> white <input type="checkbox"/>	+\$0
<b>WRD</b> warm red <input type="checkbox"/>	+\$0

### Step 4. Base Finish

<b>SLS</b> stainless steel <input type="checkbox"/>	+\$49
<b>BPS</b> black powder coated steel <input type="checkbox"/>	+\$0
<b>WPS</b> white powder coated steel <input type="checkbox"/>	+\$0

### Step 5. Glide Option

<b>SDG</b> standard glides <input type="checkbox"/>	+\$0
<b>FGL</b> felt glides <input type="checkbox"/>	+\$17

About A Chair o8, Sled Base,  
Armless *continued*

HAY About A Chair

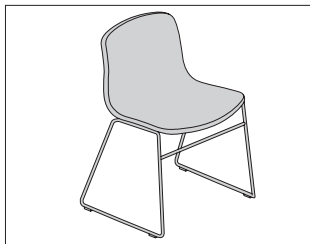
Step 6. Fabric

*For polypropylene shell, front upholstery (o2) or polypropylene shell,  
seat upholstery (o3)*

Price Category (HAY) 1	+\$0
Price Category (HAY) 2	+\$19
Price Category (HAY) 3	+\$22
Price Category (HAY) 4	+\$34
Price Category (HAY) 5	+\$121

# About A Chair 09, Sled Base, Armless, Fully Upholstered

AAC09



## Product Information

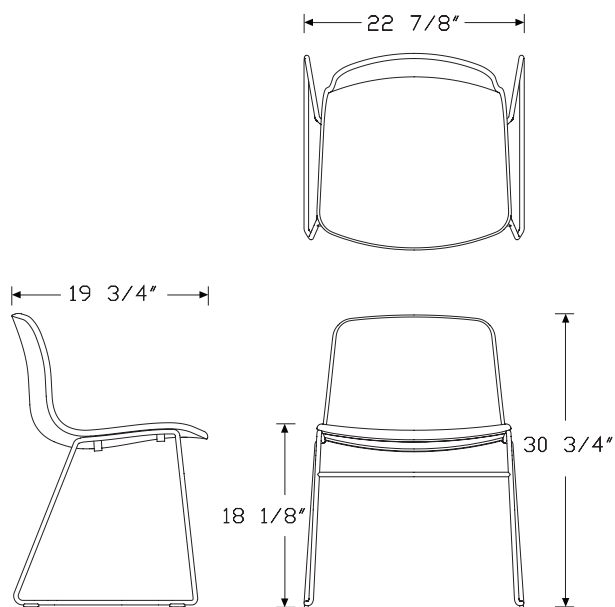
### Description

This chair has a polypropylene seat available in a variety of finishes and optional seat, front-edge or full upholstery. Sled base is steel finished in stainless steel, black or white powder coat. Chair is stackable up to 5 high.

### Notes

Stacking of front-upholstered chairs is not recommended.

### Dimensions



## Specification Information

### Step 1.

AAC09

### Step 2. Material Selection

04 fully upholstered

### Prices for Steps 1-2.

AAC09 04 \$634

### Step 3. Base Finish

SLS stainless steel  +\$49

BPS black powder coated steel  +\$0

WPS white powder coated steel  +\$0

### Step 4. Glide Option

SDG standard glides  +\$0

FGL felt glides  +\$17

### Step 5. Fabric

Price Category (HAY) 1 +\$0

Price Category (HAY) 2 +\$24

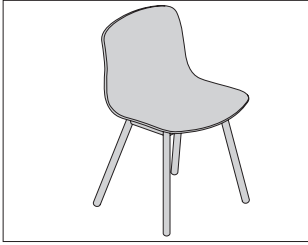
Price Category (HAY) 3 +\$28

Price Category (HAY) 4 +\$43

Price Category (HAY) 5 +\$154

# About A Chair 12, Wood 4-Leg Base, Armless

AAC12



HAY About A Chair

## Product Information

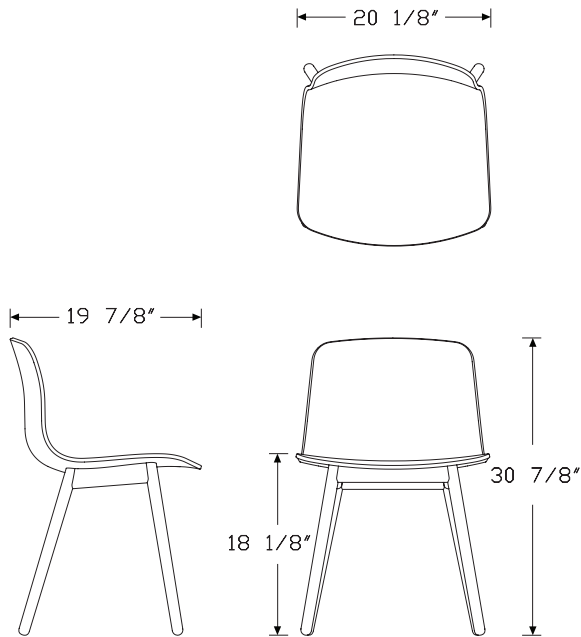
### Description

This chair has a polypropylene seat available in a variety of finishes and optional seat, front-edge or full upholstery. The 4-leg solid oak base is available with standard, felt or soft felt glides.

### Notes

Standard glides are suitable for most floorings which are not too sensitive, such as wood, concrete, linoleum, tiles, firm carpets, etc.). Standard felt glides are for use with wooden floors. For sensitive wooden floors such as pine wood or painted floors, soft felt glides are recommended.

### Dimensions



## Specification Information

### Step 1.

**AAC12**

### Step 2. Material Selection

- 01** polypropylene shell, non-upholstered
- 02** polypropylene shell, front upholstery
- 03** polypropylene shell, seat upholstery

### Prices for Steps 1-2.

<b>AAC12 01</b>	\$383
<b>02</b>	\$578
<b>03</b>	\$505

### Step 3. Polypropylene Shell Finish

<b>BLK</b> black <input type="checkbox"/>	+\$0
<b>BRK</b> brick <input type="checkbox"/>	+\$0
<b>CNG</b> concrete grey <input type="checkbox"/>	+\$0
<b>CWT</b> cream white <input type="checkbox"/>	+\$0
<b>DTB</b> dusty blue <input type="checkbox"/>	+\$0
<b>DTG</b> dusty green <input type="checkbox"/>	+\$0
<b>GRN</b> green <input type="checkbox"/>	+\$0
<b>GRY</b> grey <input type="checkbox"/>	+\$0
<b>KHK</b> khaki <input type="checkbox"/>	+\$0
<b>MTD</b> mustard <input type="checkbox"/>	+\$0
<b>ORG</b> orange <input type="checkbox"/>	+\$0
<b>PSG</b> pastel green <input type="checkbox"/>	+\$0
<b>SBK</b> soft black <input type="checkbox"/>	+\$0
<b>WHT</b> white <input type="checkbox"/>	+\$0
<b>WRD</b> warm red <input type="checkbox"/>	+\$0

### Step 4. Base Finish

<b>BSO</b> black stained solid oak <input type="checkbox"/>	+\$0
<b>CSO</b> clear lacquered solid oak <input type="checkbox"/>	+\$0
<b>MSO</b> matte lacquered solid oak <input type="checkbox"/>	+\$0

### Step 5. Glide Option

<b>SDG</b> standard glides <input type="checkbox"/>	+\$0
<b>FGL</b> felt glides <input type="checkbox"/>	+\$17

# About A Chair 12, Wood 4-Leg Base, Armless *continued*

---

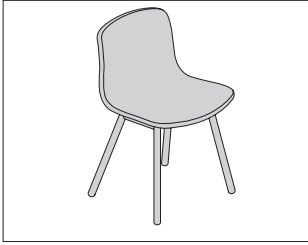
## Step 6. Fabric

*For polypropylene shell, front upholstery (o2) or polypropylene shell,  
seat upholstery (o3)*

Price Category (HAY) 1	+\$0
Price Category (HAY) 2	+\$19
Price Category (HAY) 3	+\$22
Price Category (HAY) 4	+\$34
Price Category (HAY) 5	+\$121

About A Chair 13, Wood 4-Leg  
Base, Armless, Fully Upholstered

AAC13



HAY About A Chair

**Product Information**

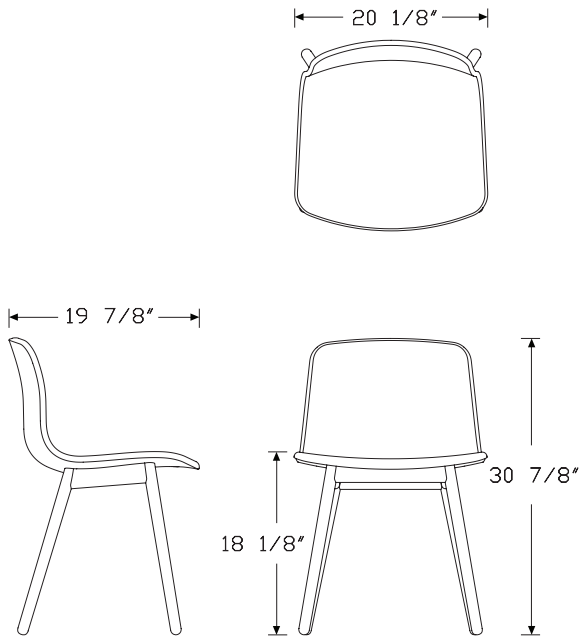
**Description**

This chair has a polypropylene seat available in a variety of finishes and optional seat, front-edge or full upholstery. The 4-leg solid oak base is available with standard, felt or soft felt glides.

**Notes**

Standard glides are suitable for most floorings which are not too sensitive, such as wood, concrete, linoleum, tiles, firm carpets, etc.). Standard felt glides are for use with wooden floors. For sensitive wooden floors such as pine wood or painted floors, soft felt glides are recommended.

**Dimensions**



**Specification Information**

**Step 1.**

**AAC13**  A

**Step 2. Material Selection**

**04** fully upholstered  A

**Prices for Steps 1-2.**

**AAC13 04** \$651

**Step 3. Base Finish**

**BSO** black stained solid oak  A +\$0

**MSO** matte lacquered solid oak  A +\$0

**Step 4. Glide Option**

**SDG** standard glides  A +\$0

**FGL** felt glides  A +\$17

**Step 5. Fabric**

Price Category (HAY) 1 +\$0

Price Category (HAY) 2 +\$24

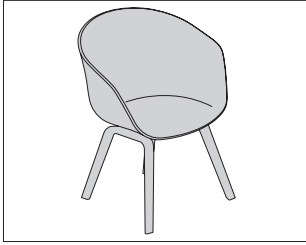
Price Category (HAY) 3 +\$28

Price Category (HAY) 4 +\$43

Price Category (HAY) 5 +\$154

# About A Chair 42, 4-Leg Low, Molded Wood Base, Armrest

AAC42



## Product Information

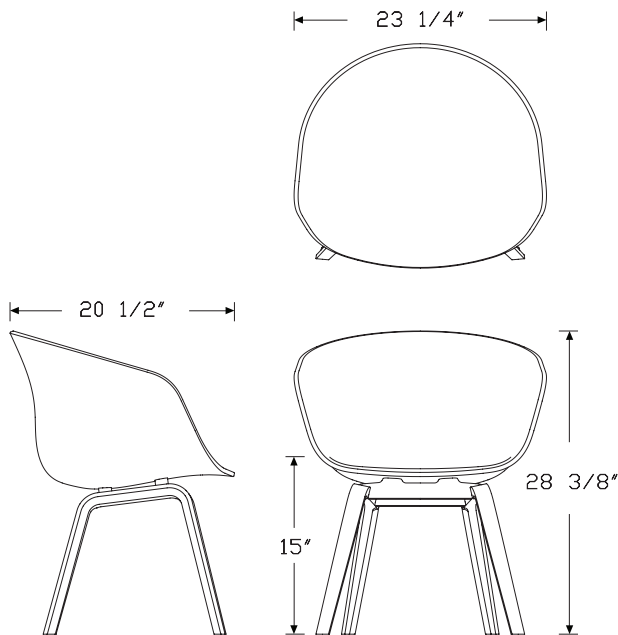
### Description

This chair with arms has a polypropylene shell available in a variety of finishes and optional seat, front-edge or full upholstery. The 4-leg solid oak base can have standard, felt or soft felt glides.

### Notes

Standard glides are suitable for most floorings which are not too sensitive, such as wood, concrete, linoleum, tiles, firm carpets, etc.). Standard felt glides are for use with wooden floors. For sensitive wooden floors such as pine wood or painted floors, soft felt glides are recommended.

### Dimensions



## Specification Information

### Step 1.

**AAC42**

### Step 2. Material Selection

- 01** polypropylene shell, non-upholstered
- 02** polypropylene shell, front upholstery
- 06** polypropylene shell, fixed seat cushion

### Prices for Steps 1-2.

<b>AAC42</b>	<b>01</b>	\$476
	<b>02</b>	\$695
	<b>06</b>	\$598

### Step 3. Polypropylene Shell Finish

<b>BLK</b>	black <input type="checkbox"/>	+\$0
<b>BRK</b>	brick <input type="checkbox"/>	+\$0
<b>CNG</b>	concrete grey <input type="checkbox"/>	+\$0
<b>CWT</b>	cream white <input type="checkbox"/>	+\$0
<b>DTB</b>	dusty blue <input type="checkbox"/>	+\$0
<b>DTG</b>	dusty green <input type="checkbox"/>	+\$0
<b>GRN</b>	green <input type="checkbox"/>	+\$0
<b>GRY</b>	grey <input type="checkbox"/>	+\$0
<b>KHK</b>	khaki <input type="checkbox"/>	+\$0
<b>MTD</b>	mustard <input type="checkbox"/>	+\$0
<b>ORG</b>	orange <input type="checkbox"/>	+\$0
<b>PSG</b>	pastel green <input type="checkbox"/>	+\$0
<b>SBK</b>	soft black <input type="checkbox"/>	+\$0
<b>WHT</b>	white <input type="checkbox"/>	+\$0
<b>WRD</b>	warm red <input type="checkbox"/>	+\$0

### Step 4. Base Finish

<b>COV</b>	clear lacquered oak veneer <input type="checkbox"/>	+\$0
<b>BOV</b>	black stained oak veneer <input type="checkbox"/>	+\$0
<b>MOV</b>	matte lacquered oak veneer <input type="checkbox"/>	+\$0

### Step 5. Glide Option

<b>SDG</b>	standard glides <input type="checkbox"/>	+\$0
<b>FGL</b>	felt glides <input type="checkbox"/>	+\$17

# About A Chair 42, 4-Leg Low, Molded Wood Base, Armrest

*continued*

HAY About A Chair

## Step 6. Fabric

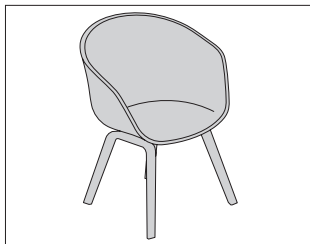
*For polypropylene shell, front upholstery (02) or polypropylene shell,  
fixed seat cushion (06)*

Price Category (HAY) 1	+\$0
Price Category (HAY) 2	+\$35
Price Category (HAY) 3	+\$40
Price Category (HAY) 4	+\$61
Price Category (HAY) 5	+\$220



About A Chair 43, 4-Leg Low,  
Molded Wood Base, Armrest,  
Fully Upholstered

AAC43



**Product Information**

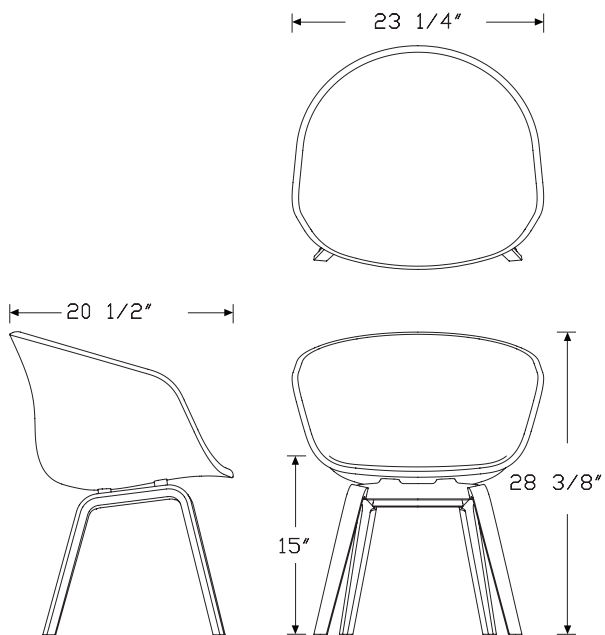
**Description**

This chair with arms has a polypropylene shell available in a variety of finishes and optional seat, front-edge or full upholstery. The 4-leg solid oak base can have standard, felt or soft felt glides.

**Notes**

Standard glides are suitable for most floorings which are not too sensitive, such as wood, concrete, linoleum, tiles, firm carpets, etc.). Standard felt glides are for use with wooden floors. For sensitive wooden floors such as pine wood or painted floors, soft felt glides are recommended.

**Dimensions**



**Specification Information**

**Step 1.**

**AAC43**  A

**Step 2. Material Selection**

**04** fully upholstered  A

**Prices for Steps 1-2.**

**AAC43 04** \$780

**Step 3. Base Finish**

**COV** clear lacquered oak veneer  A +\$0

**BOV** black stained oak veneer  A +\$0

**MOV** matte lacquered oak veneer  A +\$0

**Step 4. Glide Option**

**SDG** standard glides  A +\$0

**FGL** felt glides  A +\$17

**Step 5. Fabric**

Price Category (HAY) 1 +\$0

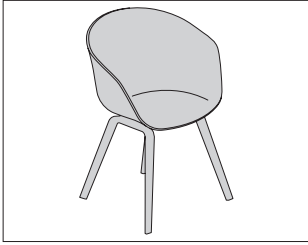
Price Category (HAY) 2 +\$41

Price Category (HAY) 3 +\$47

Price Category (HAY) 4 +\$74

Price Category (HAY) 5 +\$264

About A Chair 22, 4-Leg, Molded Wood Base, Armrest AAC22



HAY About A Chair

**Product Information**

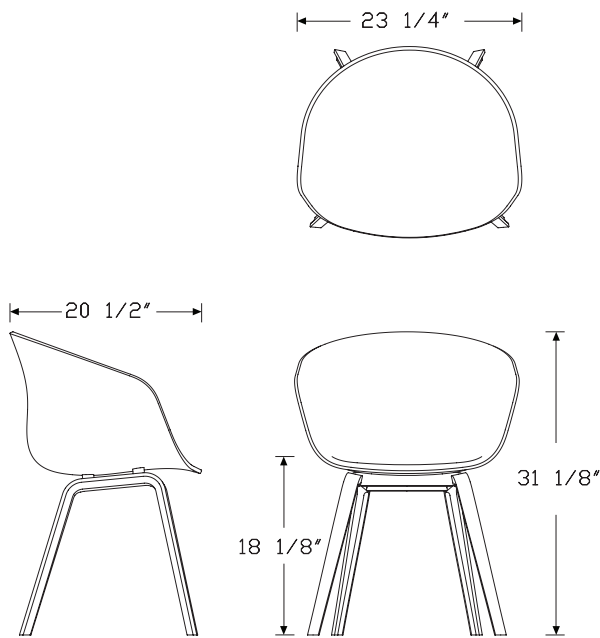
**Description**

This chair with arms has a polypropylene shell available in a variety of finishes and optional seat, front-edge or full upholstery. The 4-leg solid oak base can have standard, felt or soft felt glides.

**Notes**

Standard glides are suitable for most floorings which are not too sensitive, such as wood, concrete, linoleum, tiles, firm carpets, etc.). Standard felt glides are for use with wooden floors. For sensitive wooden floors such as pine wood or painted floors, soft felt glides are recommended.

**Dimensions**



**Specification Information**

**Step 1.**

**AAC22**

**Step 2. Material Selection**

- 01** polypropylene shell, non-upholstered
- 02** polypropylene shell, front upholstery
- 06** polypropylene shell, fixed seat cushion

**Prices for Steps 1-2.**

<b>AAC22 01</b>	\$476
<b>02</b>	\$695
<b>06</b>	\$598

**Step 3. Polypropylene Shell Finish**

<b>BLK</b>	black <input type="checkbox"/>	+\$0
<b>BRK</b>	brick <input type="checkbox"/>	+\$0
<b>CNG</b>	concrete grey <input type="checkbox"/>	+\$0
<b>CWT</b>	cream white <input type="checkbox"/>	+\$0
<b>DTB</b>	dusty blue <input type="checkbox"/>	+\$0
<b>DTG</b>	dusty green <input type="checkbox"/>	+\$0
<b>GRN</b>	green <input type="checkbox"/>	+\$0
<b>GRY</b>	grey <input type="checkbox"/>	+\$0
<b>KHK</b>	khaki <input type="checkbox"/>	+\$0
<b>MTD</b>	mustard <input type="checkbox"/>	+\$0
<b>ORG</b>	orange <input type="checkbox"/>	+\$0
<b>PSG</b>	pastel green <input type="checkbox"/>	+\$0
<b>SBK</b>	soft black <input type="checkbox"/>	+\$0
<b>WHT</b>	white <input type="checkbox"/>	+\$0
<b>WRD</b>	warm red <input type="checkbox"/>	+\$0

**Step 4. Base Finish**

<b>COV</b>	clear lacquered oak veneer <input type="checkbox"/>	+\$0
<b>BOV</b>	black stained oak veneer <input type="checkbox"/>	+\$0
<b>MOV</b>	matte lacquered oak veneer <input type="checkbox"/>	+\$0

**Step 5. Glide Option**

<b>SDG</b>	standard glides <input type="checkbox"/>	+\$0
<b>FGL</b>	felt glides <input type="checkbox"/>	+\$17

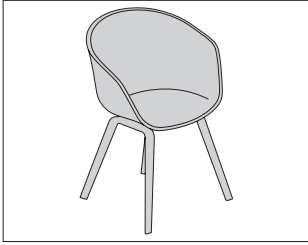
## About A Chair 22, 4-Leg, Molded Wood Base, Armrest *continued*

### Step 6. Fabric

*For polypropylene shell, front upholstery (o2) or polypropylene shell,  
fixed seat cushion (o6)*

Price Category (HAY) 1	+\$0
Price Category (HAY) 2	+\$35
Price Category (HAY) 3	+\$40
Price Category (HAY) 4	+\$61
Price Category (HAY) 5	+\$220

About A Chair 23, 4-Leg, Molded Wood Base, Armrest, Fully Upholstered AAC23



HAY About A Chair

**Product Information**

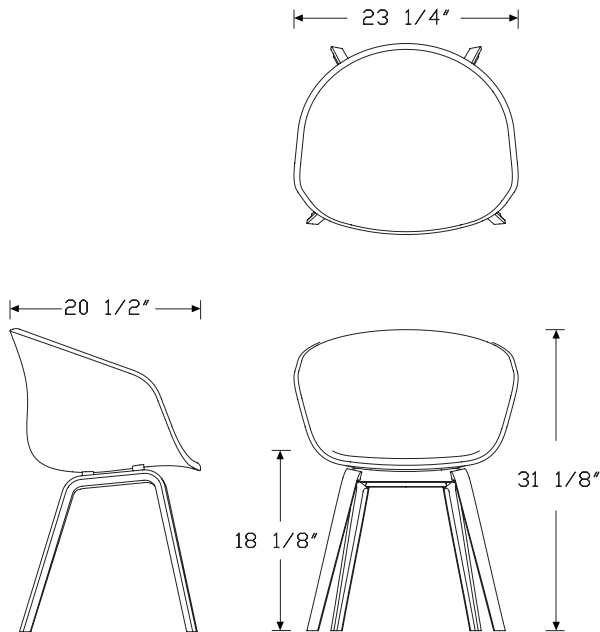
**Description**

This chair with arms has a polypropylene shell available in a variety of finishes and optional seat, front-edge or full upholstery. The 4-leg solid oak base can have standard, felt or soft felt glides.

**Notes**

Standard glides are suitable for most floorings which are not too sensitive, such as wood, concrete, linoleum, tiles, firm carpets, etc.). Standard felt glides are for use with wooden floors. For sensitive wooden floors such as pine wood or painted floors, soft felt glides are recommended.

**Dimensions**



**Specification Information**

**Step 1.**

**AAC23**  A

**Step 2. Material Selection**

**04** fully upholstered  A

**Prices for Steps 1-2.**

**AAC23 04** \$780

**Step 3. Base Finish**

**COV** clear lacquered oak veneer  A +\$0

**BOV** black stained oak veneer  A +\$0

**MOV** matte lacquered oak veneer  A +\$0

**Step 4. Glide Option**

**SDG** standard glides  A +\$0

**FGL** felt glides  A +\$17

**Step 5. Fabric**

Price Category (HAY) 1 +\$0

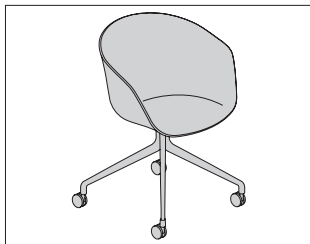
Price Category (HAY) 2 +\$41

Price Category (HAY) 3 +\$47

Price Category (HAY) 4 +\$74

Price Category (HAY) 5 +\$264

# About A Chair 24, 4-Star, Casters, AAC24 Armrest

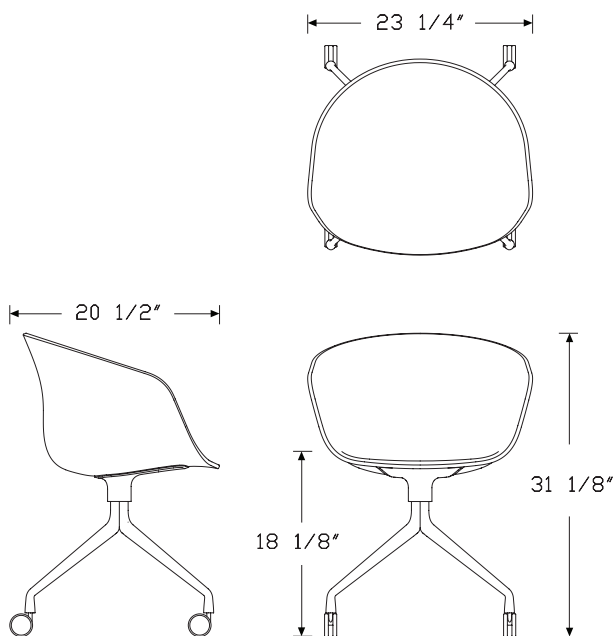


## Product Information

### Description

This chair with arms has a polypropylene shell available in a variety of finishes and optional seat, front-edge or full upholstery. The 4-star aluminum base with casters has 3 finish options.

### Dimensions



## Specification Information

### Step 1.

**AAC24**

### Step 2. Material Selection

- 01** polypropylene shell, non-upholstered
- 02** polypropylene shell, front upholstery
- 06** polypropylene shell, fixed seat cushion

### Prices for Steps 1-2.

<b>AAC24 01</b>	\$690
<b>02</b>	\$910
<b>06</b>	\$812

### Step 3. Polypropylene Shell Finish

<b>BLK</b> black <input type="checkbox"/>	+\$0
<b>BRK</b> brick <input type="checkbox"/>	+\$0
<b>CNG</b> concrete grey <input type="checkbox"/>	+\$0
<b>CWT</b> cream white <input type="checkbox"/>	+\$0
<b>DTB</b> dusty blue <input type="checkbox"/>	+\$0
<b>DTG</b> dusty green <input type="checkbox"/>	+\$0
<b>GRN</b> green <input type="checkbox"/>	+\$0
<b>GRY</b> grey <input type="checkbox"/>	+\$0
<b>KHK</b> khaki <input type="checkbox"/>	+\$0
<b>MTD</b> mustard <input type="checkbox"/>	+\$0
<b>ORG</b> orange <input type="checkbox"/>	+\$0
<b>PSG</b> pastel green <input type="checkbox"/>	+\$0
<b>SBK</b> soft black <input type="checkbox"/>	+\$0
<b>WHT</b> white <input type="checkbox"/>	+\$0
<b>WRD</b> warm red <input type="checkbox"/>	+\$0

### Step 4. Base Finish

<b>PAL</b> polished aluminum <input type="checkbox"/>	+\$0
<b>BPA</b> black powder coated aluminum <input type="checkbox"/>	+\$0
<b>WPA</b> white powder coated aluminum <input type="checkbox"/>	+\$0

### Step 5. Fabric

*For polypropylene shell, front upholstery (02) or polypropylene shell, fixed seat cushion (06)*

Price Category (HAY) 1	+\$0
Price Category (HAY) 2	+\$35
Price Category (HAY) 3	+\$40
Price Category (HAY) 4	+\$61
Price Category (HAY) 5	+\$220

About A Chair 25, 4-Star, Casters, AAC25  
Armrest, Fully Upholstered



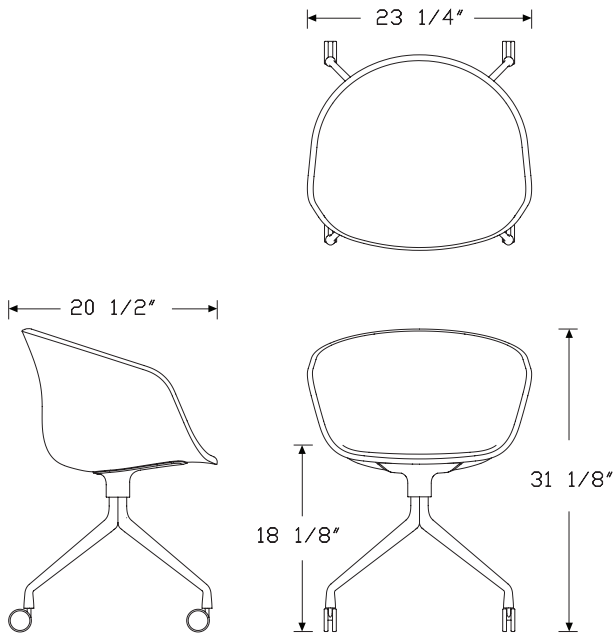
HAY About A Chair

**Product Information**

**Description**

This chair with arms has a polypropylene shell available in a variety of finishes and optional seat, front-edge or full upholstery. The 4-star aluminum base with casters has 3 finish options.

**Dimensions**



**Specification Information**

**Step 1.**

**AAC25**  A

**Step 2. Material Selection**

**04** fully upholstered  A

**Prices for Steps 1-2.**

**AAC25 04** \$995

**Step 3. Base Finish**

**PAL** polished aluminum  A +\$0

**BPA** black powder coated aluminum  A +\$0

**WPA** white powder coated aluminum  A +\$0

**Step 4. Fabric**

Price Category (HAY) 1 +\$0

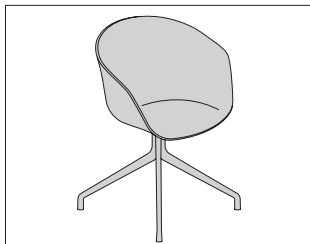
Price Category (HAY) 2 +\$41

Price Category (HAY) 3 +\$47

Price Category (HAY) 4 +\$74

Price Category (HAY) 5 +\$264

# About A Chair 20, 4-Star, Glides, AAC20 Armrest

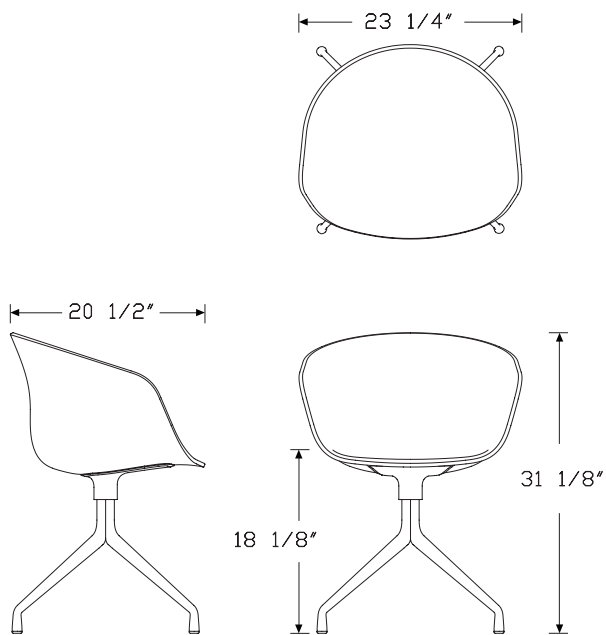


## Product Information

### Description

This chair with arms has a polypropylene shell available in a variety of finishes and optional seat, front-edge or full upholstery. The steel swivel base can be finished in stainless steel, black or white powder coat and has standard or felt glides.

### Dimensions



## Specification Information

### Step 1.

**AAC20**

### Step 2. Material Selection

- 01** polypropylene shell, non-upholstered
- 02** polypropylene shell, front upholstery
- 06** polypropylene shell, fixed seat cushion

### Prices for Steps 1-2.

<b>AAC20</b>	<b>01</b>	\$593
	<b>02</b>	\$812
	<b>06</b>	\$715

### Step 3. Polypropylene Shell Finish

<b>BLK</b>	black <input type="checkbox"/>	+\$0
<b>BRK</b>	brick <input type="checkbox"/>	+\$0
<b>CNG</b>	concrete grey <input type="checkbox"/>	+\$0
<b>CWT</b>	cream white <input type="checkbox"/>	+\$0
<b>DTB</b>	dusty blue <input type="checkbox"/>	+\$0
<b>DTG</b>	dusty green <input type="checkbox"/>	+\$0
<b>GRN</b>	green <input type="checkbox"/>	+\$0
<b>GRY</b>	grey <input type="checkbox"/>	+\$0
<b>KHK</b>	khaki <input type="checkbox"/>	+\$0
<b>MTD</b>	mustard <input type="checkbox"/>	+\$0
<b>ORG</b>	orange <input type="checkbox"/>	+\$0
<b>PSG</b>	pastel green <input type="checkbox"/>	+\$0
<b>SBK</b>	soft black <input type="checkbox"/>	+\$0
<b>WHT</b>	white <input type="checkbox"/>	+\$0
<b>WRD</b>	warm red <input type="checkbox"/>	+\$0

### Step 4. Base Finish

<b>PAL</b>	polished aluminum <input type="checkbox"/>	+\$0
<b>BPA</b>	black powder coated aluminum <input type="checkbox"/>	+\$0
<b>WPA</b>	white powder coated aluminum <input type="checkbox"/>	+\$0

### Step 5. Glide Option

<b>SDG</b>	standard glides <input type="checkbox"/>	+\$0
<b>FGL</b>	felt glides <input type="checkbox"/>	+\$17

# About A Chair 20, 4-Star, Glides, Armrest *continued*

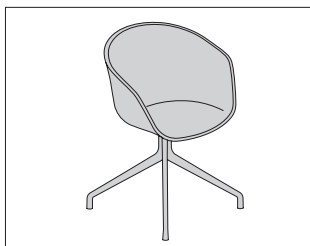
HAY About A Chair

---

Step 6. Fabric	
<i>For polypropylene shell, front upholstery (02) or polypropylene shell, fixed seat cushion (06)</i>	
Price Category (HAY) 1	+\$0
Price Category (HAY) 2	+\$35
Price Category (HAY) 3	+\$40
Price Category (HAY) 4	+\$61
Price Category (HAY) 5	+\$220



About A Chair 20, 4-Star, Glides, Armrest AAC21

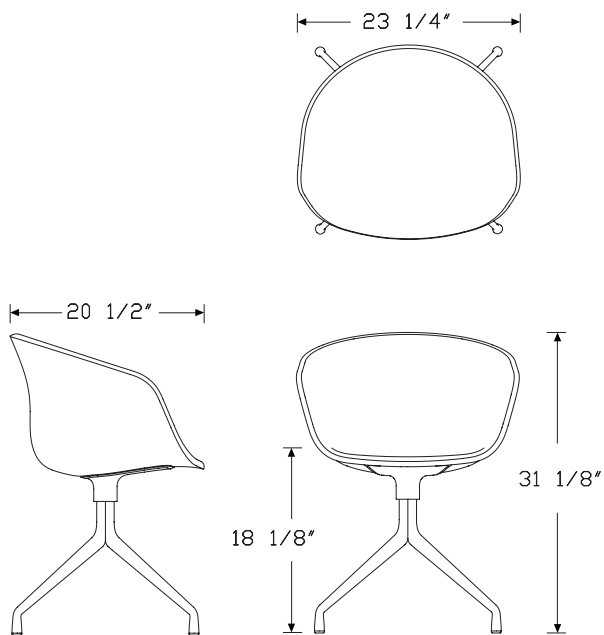


**Product Information**

**Description**

This chair with arms has a polypropylene shell available in a variety of finishes and optional seat, front-edge or full upholstery. The steel swivel base can be finished in stainless steel, black or white powder coat and has standard or felt glides.

**Dimensions**



**Specification Information**

**Step 1.**

**AAC21**

**Step 2. Material Selection**

**04** fully upholstered

**Prices for Steps 1-2.**

**AAC21 04** \$898

**Step 3. Base Finish**

**PAL** polished aluminum  +\$0  
**BPA** black powder coated aluminum  +\$0  
**WPA** white powder coated aluminum  +\$0

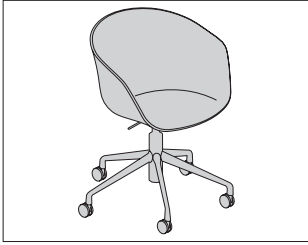
**Step 4. Glide Option**

**SDG** standard glides  +\$0  
**FGL** felt glides  +\$17

**Step 5. Fabric**

Price Category (HAY) 1 +\$0  
 Price Category (HAY) 2 +\$41  
 Price Category (HAY) 3 +\$47  
 Price Category (HAY) 4 +\$74  
 Price Category (HAY) 5 +\$264

# About A Chair 52, 5-Star Swivel, AAC52 Armrest



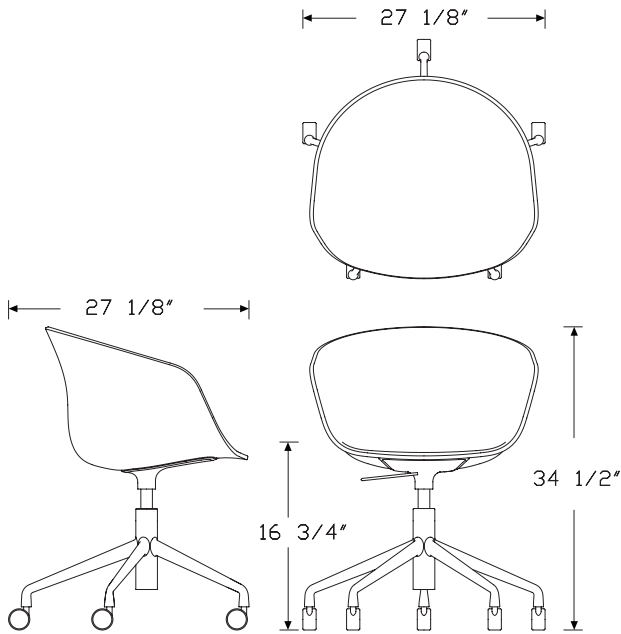
HAY About A Chair

## Product Information

### Description

This chair with arms has a polypropylene seat available in a variety of finishes and optional seat, front-edge or full upholstery. The 5-star swivel base with casters has 3 finish options.

### Dimensions



## Specification Information

### Step 1.

**AAC52**

### Step 2. Material Selection

- 01** polypropylene shell, non-upholstered
- 02** polypropylene shell, front upholstery
- 06** polypropylene shell, fixed seat cushion

### Prices for Steps 1-2.

<b>AAC52 01</b>	\$910
<b>02</b>	\$1129
<b>06</b>	\$1032

### Step 3. Polypropylene Shell Finish

<b>BLK</b> black <input type="checkbox"/>	+\$0
<b>BRK</b> brick <input type="checkbox"/>	+\$0
<b>CNG</b> concrete grey <input type="checkbox"/>	+\$0
<b>CWT</b> cream white <input type="checkbox"/>	+\$0
<b>DTB</b> dusty blue <input type="checkbox"/>	+\$0
<b>DTG</b> dusty green <input type="checkbox"/>	+\$0
<b>GRN</b> green <input type="checkbox"/>	+\$0
<b>GRY</b> grey <input type="checkbox"/>	+\$0
<b>KHK</b> khaki <input type="checkbox"/>	+\$0
<b>MTD</b> mustard <input type="checkbox"/>	+\$0
<b>ORG</b> orange <input type="checkbox"/>	+\$0
<b>PSG</b> pastel green <input type="checkbox"/>	+\$0
<b>SBK</b> soft black <input type="checkbox"/>	+\$0
<b>WHT</b> white <input type="checkbox"/>	+\$0
<b>WRD</b> warm red <input type="checkbox"/>	+\$0

### Step 4. Base Finish

<b>BPA</b> black powder coated aluminum <input type="checkbox"/>	+\$0
<b>PAL</b> polished aluminum <input type="checkbox"/>	+\$0
<b>WPA</b> white powder coated aluminum <input type="checkbox"/>	+\$0

### Step 5. Fabric

*For polypropylene shell, front upholstery (02) or polypropylene shell, fixed seat cushion (06)*

Price Category (HAY) 1	+\$0
Price Category (HAY) 2	+\$35
Price Category (HAY) 3	+\$40
Price Category (HAY) 4	+\$61
Price Category (HAY) 5	+\$220

About A Chair 53, 5-Star Swivel, Armrest, Fully Upholstered AAC53

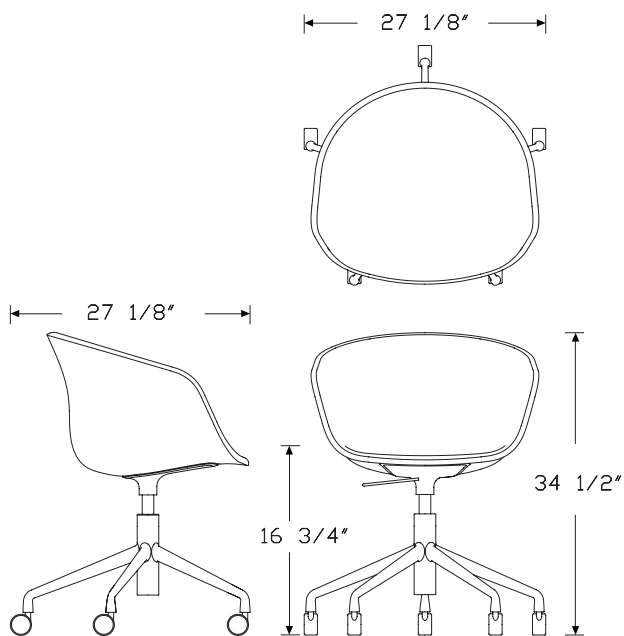


**Product Information**

**Description**

This chair with arms has a polypropylene seat available in a variety of finishes and optional seat, front-edge or full upholstery. The 5-star swivel base with casters has 3 finish options.

**Dimensions**



**Specification Information**

**Step 1.**

**AAC53**  A

**Step 2. Material Selection**

**04** fully upholstered  A

**Prices for Steps 1-2.**

**AAC53 04** \$1215

**Step 3. Base Finish**

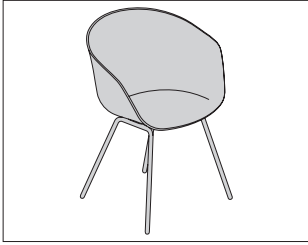
**PAL** polished aluminum  A +\$0  
**BPA** black powder coated aluminum  A +\$0  
**WPA** white powder coated aluminum  A +\$0

**Step 4. Fabric**

Price Category (HAY) 1 +\$0  
 Price Category (HAY) 2 +\$41  
 Price Category (HAY) 3 +\$47  
 Price Category (HAY) 4 +\$74  
 Price Category (HAY) 5 +\$264

# About A Chair 26, Metal 4-Leg Base, Armrest

AAC26



HAY About A Chair

## Product Information

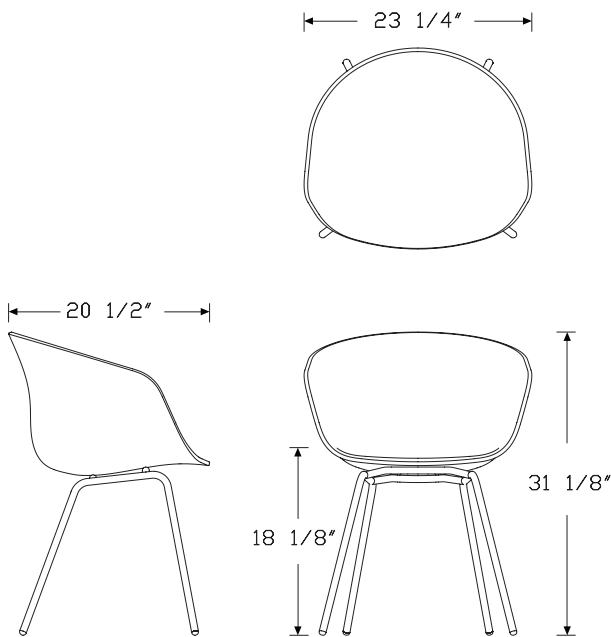
### Description

This chair with arms has a polypropylene shell available in a variety of finishes and optional seat, front-edge or full upholstery. The 4-leg steel base can be finished in black, white, or chrome and can have standard, felt or soft felt glides.

### Notes

Standard glides are suitable for most floorings which are not too sensitive, such as wood, concrete, linoleum, tiles, firm carpets, etc.). Standard felt glides are for use with wooden floors. For sensitive wooden floors such as pine wood or painted floors, soft felt glides are recommended.

## Dimensions



## Specification Information

### Step 1.

**AAC26**

### Step 2. Material Selection

- 01** polypropylene shell, non-upholstered
- 02** polypropylene shell, front upholstery
- 06** polypropylene shell, fixed seat cushion

### Prices for Steps 1-2.

<b>AAC26 01</b>	\$446
<b>02</b>	\$666
<b>06</b>	\$568

### Step 3. Polypropylene Shell Finish

<b>BLK</b> black <input type="checkbox"/>	+\$0
<b>BRK</b> brick <input type="checkbox"/>	+\$0
<b>CNG</b> concrete grey <input type="checkbox"/>	+\$0
<b>CWT</b> cream white <input type="checkbox"/>	+\$0
<b>DTB</b> dusty blue <input type="checkbox"/>	+\$0
<b>DTG</b> dusty green <input type="checkbox"/>	+\$0
<b>GRN</b> green <input type="checkbox"/>	+\$0
<b>GRY</b> grey <input type="checkbox"/>	+\$0
<b>KHK</b> khaki <input type="checkbox"/>	+\$0
<b>MTD</b> mustard <input type="checkbox"/>	+\$0
<b>ORG</b> orange <input type="checkbox"/>	+\$0
<b>PSG</b> pastel green <input type="checkbox"/>	+\$0
<b>SBK</b> soft black <input type="checkbox"/>	+\$0
<b>WHT</b> white <input type="checkbox"/>	+\$0
<b>WRD</b> warm red <input type="checkbox"/>	+\$0

### Step 4. Base Finish

<b>CHS</b> chromed steel <input type="checkbox"/>	+\$27
<b>BPS</b> black powder coated steel <input type="checkbox"/>	+\$0
<b>WPS</b> white powder coated steel <input type="checkbox"/>	+\$0

### Step 5. Glide Option

<b>SDG</b> standard glides <input type="checkbox"/>	+\$0
<b>FGL</b> felt glides <input type="checkbox"/>	+\$17

## About A Chair 26, Metal 4-Leg Base, Armrest *continued*

---

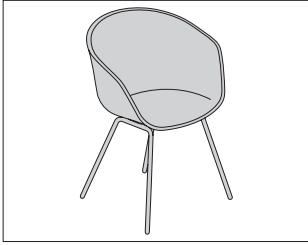
### Step 6. Fabric

*For polypropylene shell, front upholstery (o2) or polypropylene shell,  
fixed seat cushion (o6)*

Price Category (HAY) 1	+\$0
Price Category (HAY) 2	+\$35
Price Category (HAY) 3	+\$40
Price Category (HAY) 4	+\$61
Price Category (HAY) 5	+\$220

About A Chair 27, Metal 4-Leg Base, Armrest, Fully Upholstered

AAC27



HAY About A Chair

**Product Information**

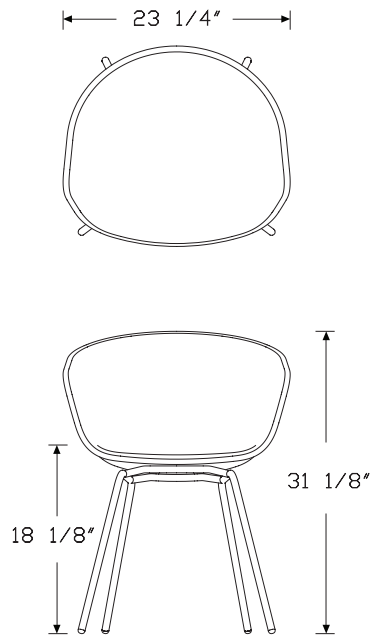
**Description**

This chair with arms has a polypropylene shell available in a variety of finishes and optional seat, front-edge or full upholstery. The 4-leg steel base can be finished in black, white, or chrome and can have standard, felt or soft felt glides.

**Notes**

Standard glides are suitable for most floorings which are not too sensitive, such as wood, concrete, linoleum, tiles, firm carpets, etc.). Standard felt glides are for use with wooden floors. For sensitive wooden floors such as pine wood or painted floors, soft felt glides are recommended.

**Dimensions**



**Specification Information**

**Step 1.**

**AAC27**  A

**Step 2. Material Selection**

**04** fully upholstered  A

**Prices for Steps 1-2.**

**AAC27 04** \$751

**Step 3. Base Finish**

**CHS** chromed steel  A +\$27  
**BPS** black powder coated steel  A +\$0  
**WPS** white powder coated steel  A +\$0

**Step 4. Glide Option**

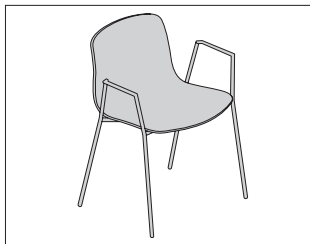
**SDG** standard glides  A +\$0  
**FGL** felt glides  A +\$17

**Step 5. Fabric**

Price Category (HAY) 1 +\$0  
 Price Category (HAY) 2 +\$41  
 Price Category (HAY) 3 +\$47  
 Price Category (HAY) 4 +\$74  
 Price Category (HAY) 5 +\$264

# About A Chair 18, - Metal 4-Leg Base, With Arms

AAC18



## Product Information

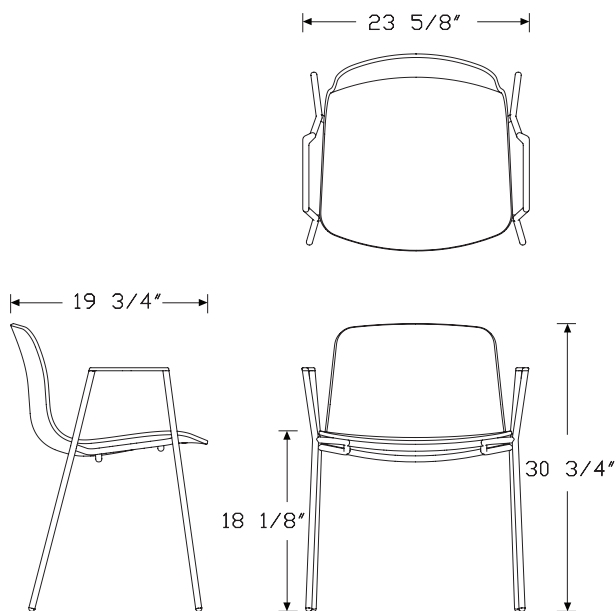
### Description

This chair with arms has a polypropylene shell available in a variety of finishes and optional seat, front-edge or full upholstery. The 4-leg steel base can be finished in black, white, or chrome. Chair is stackable up to 10 high.

### Notes

Stacking of front-upholstered chairs is not recommended.

### Dimensions



## Specification Information

### Step 1.

**AAC18**

### Step 2. Material Selection

- 01** polypropylene shell, non-upholstered
- 02** polypropylene shell, front upholstery
- 03** polypropylene shell, seat upholstery

### Prices for Steps 1-2.

<b>AAC18 01</b>	\$390
<b>02</b>	\$585
<b>03</b>	\$512

### Step 3. Polypropylene Shell Finish

<b>BLK</b> black <input type="checkbox"/>	+\$0
<b>BRK</b> brick <input type="checkbox"/>	+\$0
<b>CNG</b> concrete grey <input type="checkbox"/>	+\$0
<b>CWT</b> cream white <input type="checkbox"/>	+\$0
<b>DTB</b> dusty blue <input type="checkbox"/>	+\$0
<b>DTG</b> dusty green <input type="checkbox"/>	+\$0
<b>GRN</b> green <input type="checkbox"/>	+\$0
<b>GRY</b> grey <input type="checkbox"/>	+\$0
<b>KHK</b> khaki <input type="checkbox"/>	+\$0
<b>MTD</b> mustard <input type="checkbox"/>	+\$0
<b>ORG</b> orange <input type="checkbox"/>	+\$0
<b>PSG</b> pastel green <input type="checkbox"/>	+\$0
<b>SBK</b> soft black <input type="checkbox"/>	+\$0
<b>WHT</b> white <input type="checkbox"/>	+\$0
<b>WRD</b> warm red <input type="checkbox"/>	+\$0

### Step 4. Base Finish

<b>CHS</b> chromed steel <input type="checkbox"/>	+\$51
<b>BPS</b> black powder coated steel <input type="checkbox"/>	+\$0
<b>WPS</b> white powder coated steel <input type="checkbox"/>	+\$0

### Step 5. Glide Option

<b>SDG</b> standard glides <input type="checkbox"/>	+\$0
<b>FGL</b> felt glides <input type="checkbox"/>	+\$17

# About A Chair 18, - Metal 4-Leg Base, With Arms *continued*

HAY About A Chair

## Step 6. Fabric

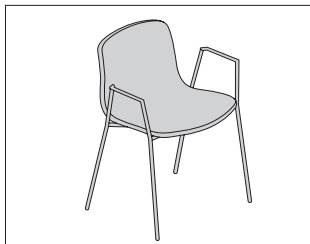
*For polypropylene shell, front upholstery (o2) or polypropylene shell,  
seat upholstery (o3)*

Price Category (HAY) 1	+\$0
Price Category (HAY) 2	+\$19
Price Category (HAY) 3	+\$22
Price Category (HAY) 4	+\$34
Price Category (HAY) 5	+\$121



About A Chair 19, Metal  
4-Leg Base, With Arms, Fully  
Upholstered

AAC19



**Product Information**

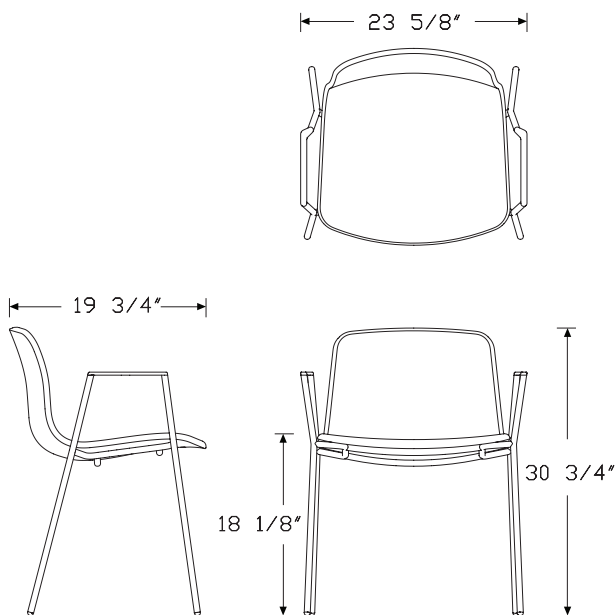
**Description**

This chair with arms has a polypropylene shell available in a variety of finishes and optional seat, front-edge or full upholstery. The 4-leg steel base can be finished in black, white, or chrome. Chair is stackable up to 5 high.

**Notes**

Stacking of front-upholstered chairs is not recommended.

**Dimensions**



**Specification Information**

**Step 1.**

**AAC19**

**Step 2. Material Selection**

**04** fully upholstered

**Prices for Steps 1-2.**

**AAC19 04** \$659

**Step 3. Base Finish**

**CHS** chromed steel  +\$51

**BPS** black powder coated steel  +\$0

**WPS** white powder coated steel  +\$0

**Step 4. Glide Option**

**SDG** standard glides  +\$0

**FGL** felt glides  +\$17

**Step 5. Fabric**

Price Category (HAY) 1 +\$0

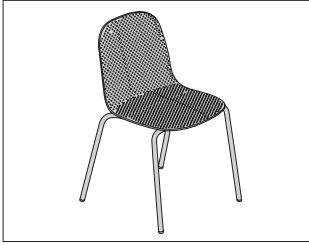
Price Category (HAY) 2 +\$24

Price Category (HAY) 3 +\$28

Price Category (HAY) 4 +\$43

Price Category (HAY) 5 +\$154

13Eighty Chair with 4-Leg Metal Base, Armless 1380M



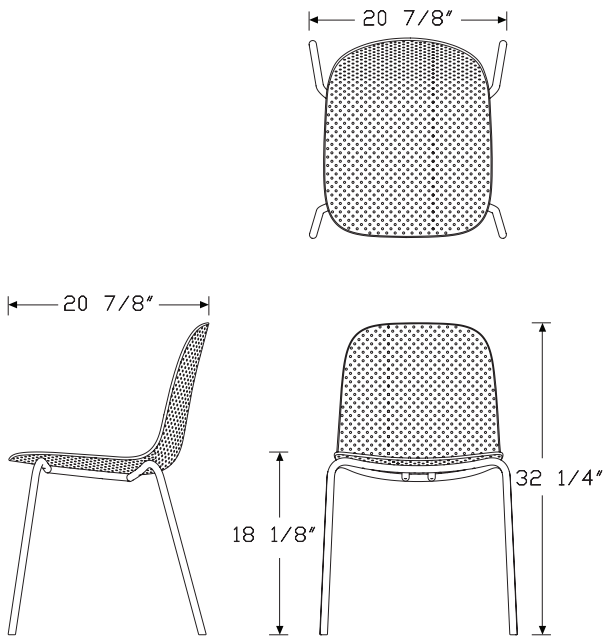
HAY Chairs

**Product Information**

**Description**

This outdoor chair has an injection molded solid-colored polypropylene seat and bent steel tube legs. The name 13Eighty is based on the number of tiny holes in the seat shell. Chair is stackable up to 6 high.

**Dimensions**



**Specification Information**

**Step 1.**

**1380MN** [A] \$317

**Step 2. Seat Finish**

**CHW** chalk white [A] +\$0  
**SBK** soft black [A] +\$0  
**SBL** soft blue [A] +\$0

**Step 3. Base Finish**

*For chalk white (CHW)*

**HPS** grey white powder coated steel [A] +\$0

*For soft black (SBK)*

**KPS** graphite black powder coated steel [A] +\$0

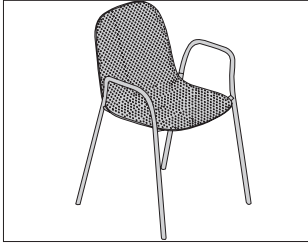
*For soft blue (SBL)*

**UPS** pure grey powder coated steel [A] +\$0

**Step 4. Glide Option**

**SDG** standard glides [A] +\$0

13Eighty Chair with 4-Leg Metal Base, with Arms 1380M

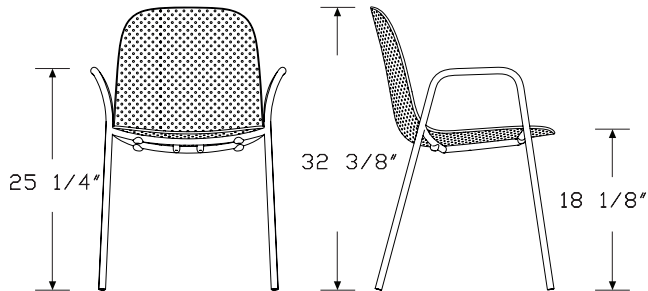
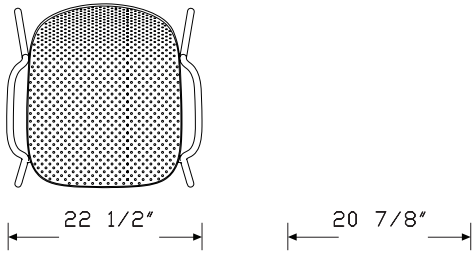


**Product Information**

**Description**

This outdoor armchair has an injection molded solid-colored polypropylene seat and bent steel tube legs. The name 13Eighty is based on the number of tiny holes in the seat shell. Armchair version is stackable up to 10 high.

**Dimensions**



**Specification Information**

**Step 1.**

**1380MA**  A \$366

**Step 2. Seat Finish**

**CHW** chalk white  A +\$0  
**SBK** soft black  A +\$0  
**SBL** soft blue  A +\$0

**Step 3. Base Finish**

*For chalk white (CHW)*

**HPS** grey white powder coated steel  A +\$0

*For soft black (SBK)*

**KPS** graphite black powder coated steel  A +\$0

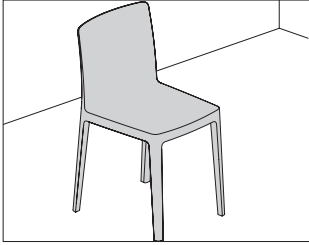
*For soft blue (SBL)*

**UPS** pure grey powder coated steel  A +\$0

**Step 4. Glide Option**

**SDG** standard glides  A +\$0

Elementaire Chair, without Arms HEC01



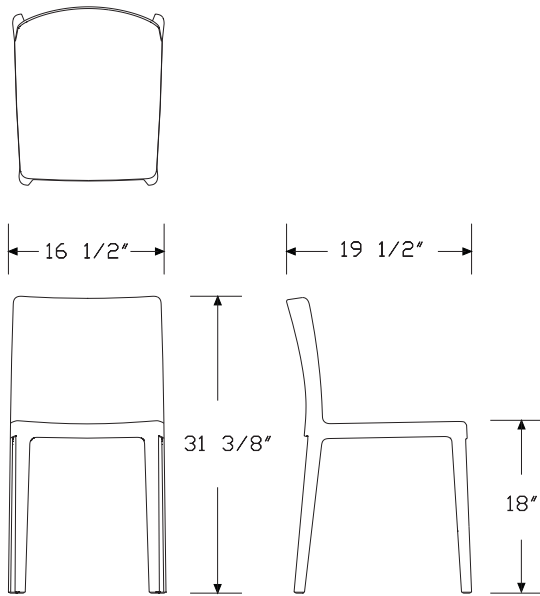
HAY Chairs

**Product Information**

Description

This indoor and outdoor chair is solid colored injection molded polypropylene reinforced by fiberglass. It is UV resistant and has a matte, slightly textured surface.

Dimensions



**Specification Information**

Step 1.

HEC  A

Step 2. Arm/Material Type

01 armless, non-upholstered  A

Prices for Steps 1-2.

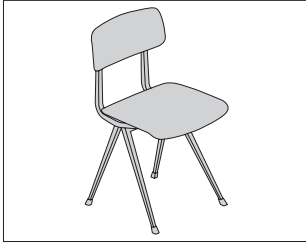
HEC01 \$159

Step 3. Finish

- ANF anthracite  A +\$0
- BGF blue grey  A +\$0
- CWF cream white  A +\$0
- LYF light yellow  A +\$0
- MGF smoky green  A +\$0
- OLF olive  A +\$0

# Result Chair with Metal Legs

RESC

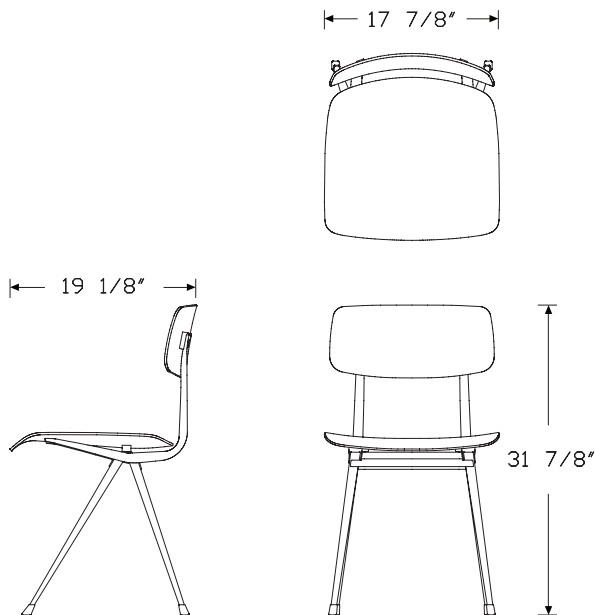


## Product Information

### Description

This chair has a molded plywood seat and back available in a variety of color finishes. The steel sheet legs are available in black or beige powder coat.

### Dimensions



## Specification Information

### Step 1.

**RESC**  A \$451

### Step 2. Seat Finish

**BES** beige stained  A +\$0  
**BLS** black stained  A +\$0  
**CLL** clear lacquered  A +\$0  
**MTL** matte lacquered  A +\$0  
**DBS** dark blue stained  A +\$0  
**DRS** dark brick stained  A +\$0  
**FGS** forest green stained  A +\$0

### Step 3. Base Finish

*For clear lacquered (CLL) or matte lacquered (MTL)*

**EPS** beige powder coated steel  A +\$0  
**BPS** black powder coated steel  A +\$0

*For beige stained (BES)*

**EPS** beige powder coated steel  A +\$0

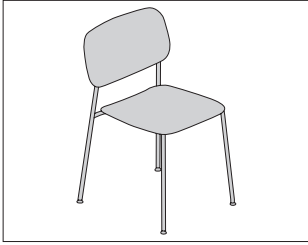
*For black stained (BLS), dark blue stained (DBS), dark brick stained (DRS), or forest green stained (FGS)*

**BPS** black powder coated steel  A +\$0

### Step 4. Glide Option

**SDG** standard glides  A +\$0

Soft Edge Non-Upholstered 4-Leg Metal Base Chair with Molded Oak Veneer Shell SED10



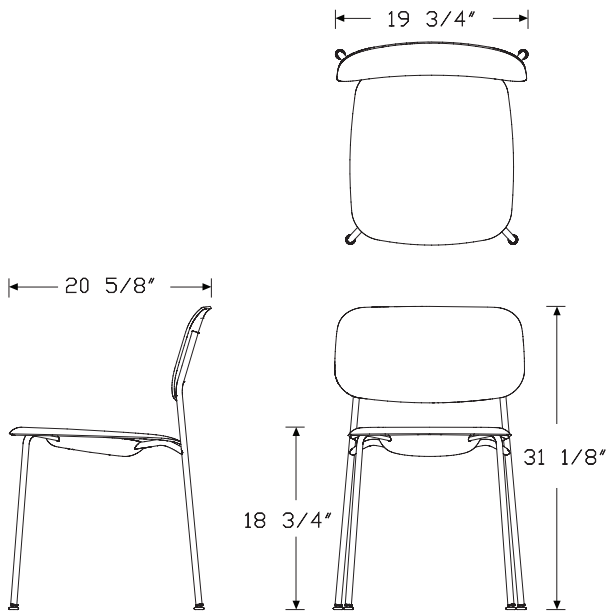
HAY Chairs

**Product Information**

**Description**

This chair has a molded plywood seat and back available in 8 finish options. The steel tube legs can be finished in a variety of colors based on seat and back options and come with standard glides. Chair is stackable up to 6 high.

**Dimensions**



**Specification Information**

**Step 1.**

**SED10N** [A] \$532

**Step 2. Molded Oak Veneer Shell Finish**

<b>BLS</b>	black stained [A]	+\$0
<b>CLL</b>	clear lacquered [A]	+\$0
<b>DGS</b>	dusty green stained [A]	+\$0
<b>FRS</b>	fall red stained [A]	+\$0
<b>HTS</b>	hunter stained [A]	+\$0
<b>MTL</b>	matte lacquered [A]	+\$0
<b>SBS</b>	soft black stained [A]	+\$0
<b>SGS</b>	soft grey stained [A]	+\$0

**Step 3. Base Finish**

*For clear lacquered (CLL) or matte lacquered (MTL)*

<b>CHS</b>	chromed steel [A]	+\$41
<b>BPS</b>	black powder coated steel [A]	+\$0
<b>FPS</b>	fall red powder coated steel [A]	+\$0
<b>SPS</b>	soft grey powder coated steel [A]	+\$0

*For fall red stained (FRS)*

<b>CHS</b>	chromed steel [A]	+\$41
<b>BPS</b>	black powder coated steel [A]	+\$0
<b>FPS</b>	fall red powder coated steel [A]	+\$0

*For soft grey stained (SGS)*

<b>CHS</b>	chromed steel [A]	+\$41
<b>BPS</b>	black powder coated steel [A]	+\$0
<b>SPS</b>	soft grey powder coated steel [A]	+\$0

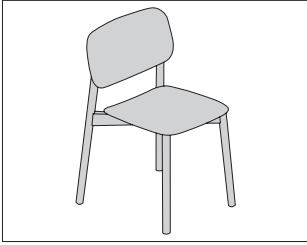
*For black stained (BLS), dusty green stained (DGS), hunter stained (HTS), or soft black stained (SBS)*

<b>CHS</b>	chromed steel [A]	+\$41
<b>BPS</b>	black powder coated steel [A]	+\$0

**Step 4. Glide Option**

**SDG** standard glides [A] +\$0

Soft Edge Non-Upholstered 4-Leg  
Wood Base Chair with Molded  
Oak Veneer Shell SED12

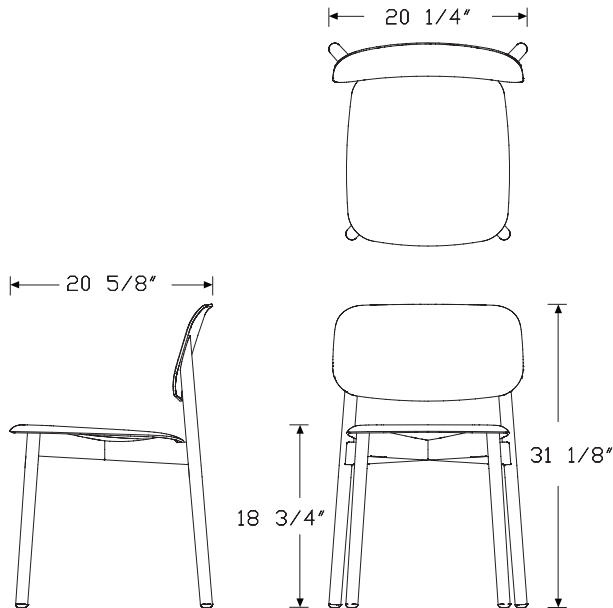


**Product Information**

**Description**

This chair has a molded plywood seat and back and solid wood legs available in 8 finish options. Legs come with standard glides. Chair is stackable up to 6 high.

**Dimensions**



**Specification Information**

**Step 1.**

**SED12N**  A \$646

**Step 2. Molded Oak Veneer Shell Finish**

<b>BLS</b>	black stained <input type="checkbox"/> A	+\$0
<b>CLL</b>	clear lacquered <input type="checkbox"/> A	+\$0
<b>DGS</b>	dusty green stained <input type="checkbox"/> A	+\$0
<b>FRS</b>	fall red stained <input type="checkbox"/> A	+\$0
<b>HTS</b>	hunter stained <input type="checkbox"/> A	+\$0
<b>MTL</b>	matte lacquered <input type="checkbox"/> A	+\$0
<b>SBS</b>	soft black stained <input type="checkbox"/> A	+\$0
<b>SGS</b>	soft grey stained <input type="checkbox"/> A	+\$0

**Step 3. Base Finish**

*For black stained (BLS)*

**BSO** black stained solid oak  A +\$0

*For clear lacquered (CLL)*

**CSO** clear lacquered solid oak  A +\$0

*For dusty green stained (DGS)*

**DGO** dusty green stained solid oak  A +\$0

*For fall red stained (FRS)*

**FSO** fall red stained solid oak  A +\$0

*For matte lacquered (MTL)*

**MSO** matte lacquered solid oak  A +\$0

*For soft black stained (SBS)*

**SBO** soft black stained solid oak  A +\$0

*For soft grey stained (SGS)*

**SGO** soft grey stained solid oak  A +\$0

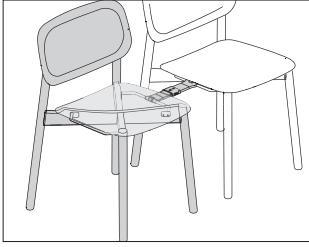
*For hunter stained (HTS)*

**HSO** hunter stained solid oak  A +\$0

**Step 4. Glide Option**

**SDG** standard glides  A +\$0

# Soft Edge Non-Upholstered 4-Leg Wood Base Chair with Linking and Molded Oak Veneer Shell SED12



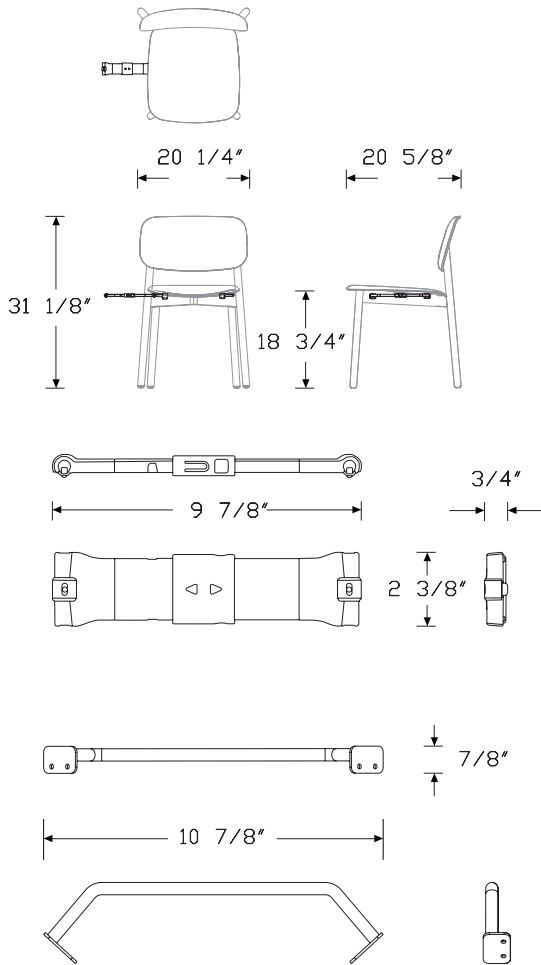
HAY Chairs

## Product Information

### Description

This model of Soft Edge 12 includes the chair linking attachment. The chair has a molded plywood seat and back and solid wood legs available in 8 finish options. Legs come with standard glides. Chair is stackable up to 6 high.

### Dimensions



## Specification Information

### Step 1.

**SED12NL** [A] \$683

### Step 2. Molded Oak Veneer Shell Finish

<b>BLS</b>	black stained [A]	+\$0
<b>CLL</b>	clear lacquered [A]	+\$0
<b>DGS</b>	dusty green stained [A]	+\$0
<b>FRS</b>	fall red stained [A]	+\$0
<b>HTS</b>	hunter stained [A]	+\$0
<b>MTL</b>	matte lacquered [A]	+\$0
<b>SBS</b>	soft black stained [A]	+\$0
<b>SGS</b>	soft grey stained [A]	+\$0

### Step 3. Base Finish

#### For black stained (BLS)

**BSO** black stained solid oak [A] +\$0

#### For clear lacquered (CLL)

**CSO** clear lacquered solid oak [A] +\$0

#### For dusty green stained (DGS)

**DGO** dusty green stained solid oak [A] +\$0

#### For fall red stained (FRS)

**FSO** fall red stained solid oak [A] +\$0

#### For matte lacquered (MTL)

**MSO** matte lacquered solid oak [A] +\$0

#### For soft black stained (SBS)

**SBO** soft black stained solid oak [A] +\$0

#### For soft grey stained (SGS)

**SGO** soft grey stained solid oak [A] +\$0

#### For hunter stained (HTS)

**HSO** hunter stained solid oak [A] +\$0

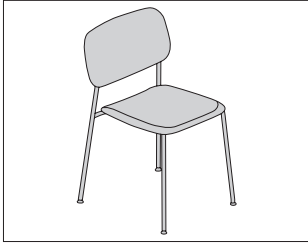
### Step 4. Glide Option

**SDG** standard glides [A] +\$0



# Soft Edge Upholstered 4-Leg Metal Base Chair

SED10

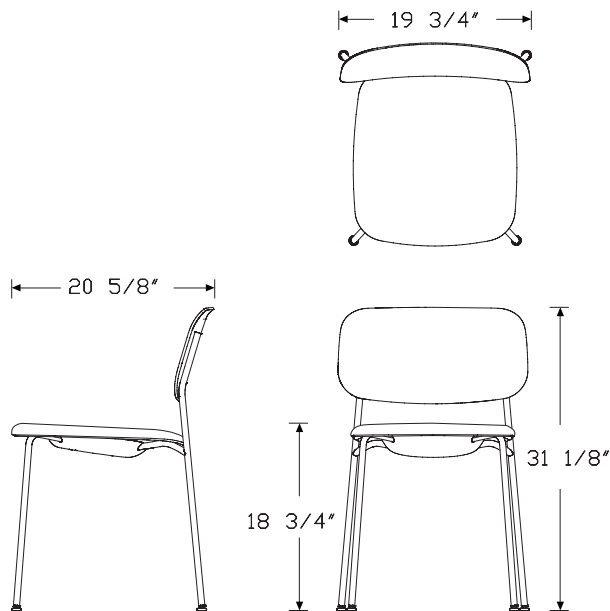


## Product Information

### Description

This chair has a molded plywood seat and back available in 8 finish options with upholstery. The steel tube legs can be finished in a variety of colors based on seat and back options and come with standard glides. Chair is stackable up to 6 high.

### Dimensions



## Specification Information

### Step 1.

**SED10U**  A \$683

### Step 2. Molded Oak Veneer Finish

<b>BLS</b>	black stained <input type="checkbox"/> A	+\$0
<b>CLL</b>	clear lacquered <input type="checkbox"/> A	+\$0
<b>DGS</b>	dusty green stained <input type="checkbox"/> A	+\$0
<b>FRS</b>	fall red stained <input type="checkbox"/> A	+\$0
<b>HTS</b>	hunter stained <input type="checkbox"/> A	+\$0
<b>MTL</b>	matte lacquered <input type="checkbox"/> A	+\$0
<b>SBS</b>	soft black stained <input type="checkbox"/> A	+\$0
<b>SGS</b>	soft grey stained <input type="checkbox"/> A	+\$0

### Step 3. Base Finish

#### For soft grey stained (SGS)

<b>CHS</b>	chromed steel <input type="checkbox"/> A	+\$41
<b>BPS</b>	black powder coated steel <input type="checkbox"/> A	+\$0
<b>SPS</b>	soft grey powder coated steel <input type="checkbox"/> A	+\$0

#### For black stained (BLS), dusty green stained (DGS), hunter stained (HTS), or soft black stained (SBS)

<b>CHS</b>	chromed steel <input type="checkbox"/> A	+\$41
<b>BPS</b>	black powder coated steel <input type="checkbox"/> A	+\$0

#### For clear lacquered (CLL) or matte lacquered (MTL)

<b>CHS</b>	chromed steel <input type="checkbox"/> A	+\$41
<b>BPS</b>	black powder coated steel <input type="checkbox"/> A	+\$0
<b>FPS</b>	fall red powder coated steel <input type="checkbox"/> A	+\$0
<b>SPS</b>	soft grey powder coated steel <input type="checkbox"/> A	+\$0

#### For fall red stained (FRS)

<b>CHS</b>	chromed steel <input type="checkbox"/> A	+\$41
<b>BPS</b>	black powder coated steel <input type="checkbox"/> A	+\$0
<b>FPS</b>	fall red powder coated steel <input type="checkbox"/> A	+\$0

### Step 4. Glide Option

**SDG** standard glides  A +\$0

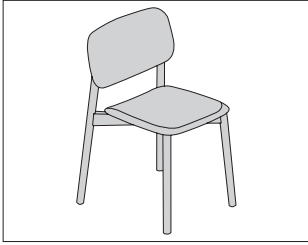
### Step 5. Fabric

Price Category (HAY) 1	+\$0
Price Category (HAY) 2	+\$24
Price Category (HAY) 3	+\$27
Price Category (HAY) 4	+\$43
Price Category (HAY) 5	+\$154

HAY Chairs

# Soft Edge Upholstered 4-Leg Wood Base Chair

SED12



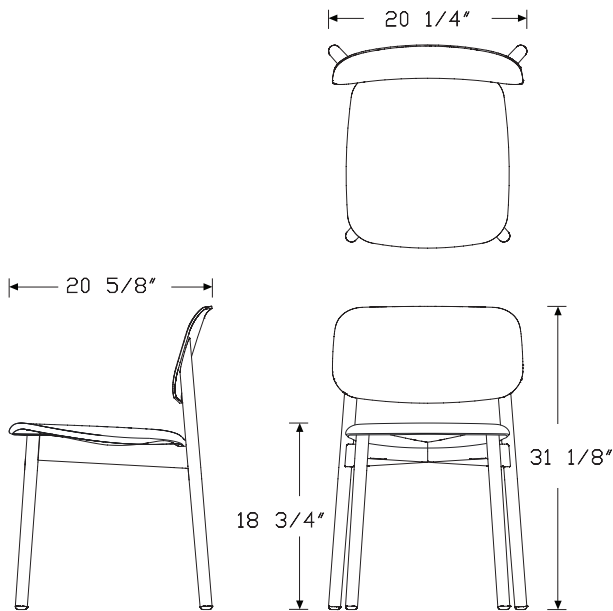
HAY Chairs

## Product Information

### Description

This chair has a molded plywood seat and back available in 8 finish options with upholstery. The solid wood legs can be finished in a variety of colors based on seat and back options and come with standard glides. Chair is stackable up to 6 high.

### Dimensions



## Specification Information

### Step 1.

**SED12U** [A] \$797

### Step 2. Molded Oak Veneer Finish

<b>BLS</b>	black stained [A]	+\$0
<b>CLL</b>	clear lacquered [A]	+\$0
<b>DGS</b>	dusty green stained [A]	+\$0
<b>FRS</b>	fall red stained [A]	+\$0
<b>HTS</b>	hunter stained [A]	+\$0
<b>MTL</b>	matte lacquered [A]	+\$0
<b>SBS</b>	soft black stained [A]	+\$0
<b>SGS</b>	soft grey stained [A]	+\$0

### Step 3. Base Finish

#### For black stained (BLS)

**BSO** black stained solid oak [A] +\$0

#### For clear lacquered (CLL)

**CSO** clear lacquered solid oak [A] +\$0

#### For dusty green stained (DGS)

**DGO** dusty green stained solid oak [A] +\$0

#### For fall red stained (FRS)

**FSO** fall red stained solid oak [A] +\$0

#### For matte lacquered (MTL)

**MSO** matte lacquered solid oak [A] +\$0

#### For soft black stained (SBS)

**SBO** soft black stained solid oak [A] +\$0

#### For soft grey stained (SGS)

**SGO** soft grey stained solid oak [A] +\$0

#### For hunter stained (HTS)

**HSO** hunter stained solid oak [A] +\$0

### Step 4. Glide Option

<b>SDG</b>	standard glides [A]	+\$0
<b>FGL</b>	felt glides [A]	+\$14

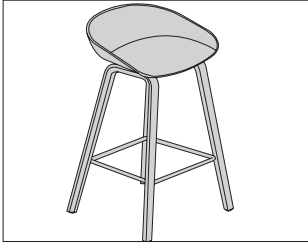
# Soft Edge Upholstered 4-Leg Wood Base Chair *continued*

---

Step 5. Fabric	
Price Category (HAY) 1	+\$0
Price Category (HAY) 2	+\$24
Price Category (HAY) 3	+\$27
Price Category (HAY) 4	+\$43
Price Category (HAY) 5	+\$154

# About A Stool Wood Base, Low Height with Optional Front Upholstery

AAS32



HAY Stools

## Product Information

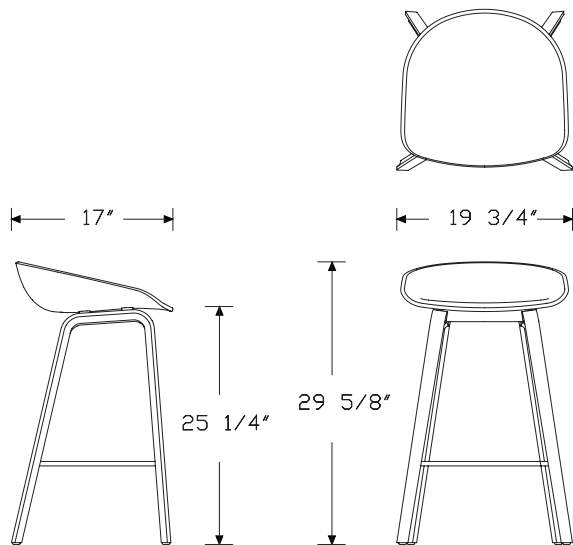
### Description

This stool has an injection molded solid-colored polypropylene seat with optional seat, front-edge or full upholstery. The molded beech plywood legs have 2 veneer color options and can have standard, felt, or soft felt glides. Low model is suitable for kitchen counters.

### Notes

Standard glides are suitable for most floorings which are not too sensitive, such as wood, concrete, linoleum, tiles, firm carpets, etc.). Standard felt glides are for use with wooden floors. For sensitive wooden floors such as pine wood or painted floors, soft felt glides are recommended.

### Dimensions



## Specification Information

### Step 1.

**AAS32L**

### Step 2. Material Selection

- 01** polypropylene shell, non-upholstered
- 02** polypropylene shell, front upholstery

### Prices for Steps 1-2.

<b>AAS32L 01</b>	\$449
<b>02</b>	\$612

### Step 3. Polypropylene Shell Finish

<b>BLK</b> black <input type="checkbox"/>	+\$0
<b>BRK</b> brick <input type="checkbox"/>	+\$0
<b>CNG</b> concrete grey <input type="checkbox"/>	+\$0
<b>CWT</b> cream white <input type="checkbox"/>	+\$0
<b>DTB</b> dusty blue <input type="checkbox"/>	+\$0
<b>DTG</b> dusty green <input type="checkbox"/>	+\$0
<b>GRN</b> green <input type="checkbox"/>	+\$0
<b>GRY</b> grey <input type="checkbox"/>	+\$0
<b>KHK</b> khaki <input type="checkbox"/>	+\$0
<b>ORG</b> orange <input type="checkbox"/>	+\$0
<b>PSG</b> pastel green <input type="checkbox"/>	+\$0
<b>SBK</b> soft black <input type="checkbox"/>	+\$0
<b>WHT</b> white <input type="checkbox"/>	+\$0
<b>WRD</b> warm red <input type="checkbox"/>	+\$0

### Step 4. Base Finish

<b>COV</b> clear lacquered oak veneer <input type="checkbox"/>	+\$0
<b>BOV</b> black stained oak veneer <input type="checkbox"/>	+\$0
<b>MOV</b> matte lacquered oak veneer <input type="checkbox"/>	+\$0

### Step 5. Footrest Finish

<b>BPS</b> black powder coated steel <input type="checkbox"/>	+\$0
<b>SLS</b> stainless steel <input type="checkbox"/>	+\$0

### Step 6. Glide Option

<b>SDG</b> standard glides <input type="checkbox"/>	+\$0
<b>FGL</b> felt glides <input type="checkbox"/>	+\$17

About A Stool Wood Base, Low  
Height with Optional Front  
Upholstery *continued*

---

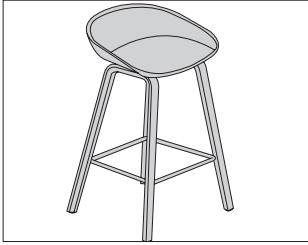
Step 7. Fabric

*For polypropylene shell, front upholstery (o2)*

Price Category (HAY) 1	+\$0
Price Category (HAY) 2	+\$28
Price Category (HAY) 3	+\$32
Price Category (HAY) 4	+\$49
Price Category (HAY) 5	+\$176

# About A Stool Wood Base, Low Height with Full Upholstery

AAS33



HAY Stools

## Product Information

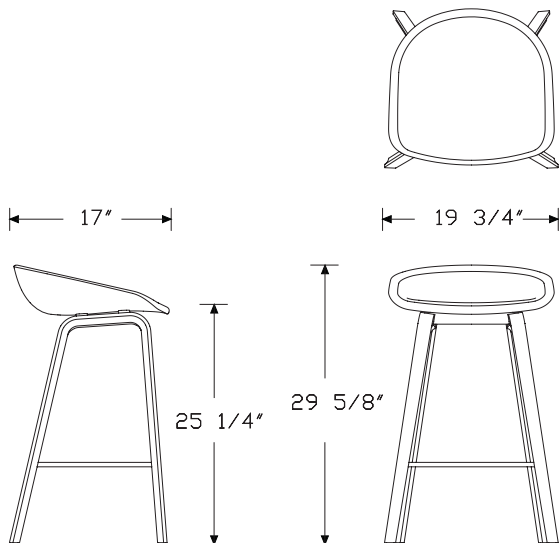
### Description

This stool has an injection molded solid-colored polypropylene seat with optional seat, front-edge or full upholstery. The molded beech plywood legs have 2 veneer color options and can have standard, felt, or soft felt glides. Low model is suitable for kitchen counters.

### Notes

Standard glides are suitable for most floorings which are not too sensitive, such as wood, concrete, linoleum, tiles, firm carpets, etc.). Standard felt glides are for use with wooden floors. For sensitive wooden floors such as pine wood or painted floors, soft felt glides are recommended.

### Dimensions



## Specification Information

### Step 1.

**AAS33L**

### Step 2. Material Selection

**04** fully upholstered

### Prices for Steps 1-2.

**AAS33L 04** \$629

### Step 3. Base Finish

**COV** clear lacquered oak veneer  +\$0  
**BOV** black stained oak veneer  +\$0  
**MOV** matte lacquered oak veneer  +\$0

### Step 4. Footrest Finish

**BPS** black powder coated steel  +\$0  
**SLS** stainless steel  +\$0

### Step 5. Glide Option

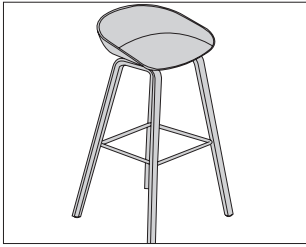
**SDG** standard glides  +\$0  
**FGL** felt glides  +\$17

### Step 6. Fabric

Price Category (HAY) 1 +\$0  
 Price Category (HAY) 2 +\$30  
 Price Category (HAY) 3 +\$34  
 Price Category (HAY) 4 +\$52  
 Price Category (HAY) 5 +\$187

# About A Stool Wood Base, High Height with Optional Front Upholstery

AAS32



## Product Information

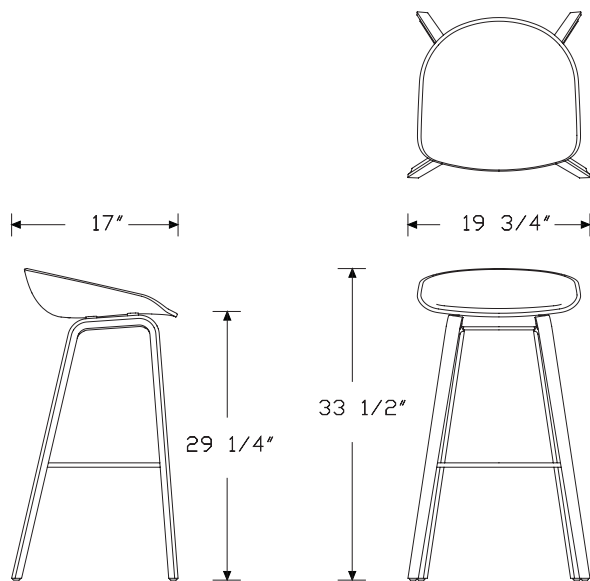
### Description

This stool has an injection molded solid-colored polypropylene seat with optional seat, front-edge or full upholstery. The molded beech plywood legs have 2 veneer color options and can have standard, felt, or soft felt glides. High model is suitable for bar tables.

### Notes

Standard glides are suitable for most floorings which are not too sensitive, such as wood, concrete, linoleum, tiles, firm carpets, etc.). Standard felt glides are for use with wooden floors. For sensitive wooden floors such as pine wood or painted floors, soft felt glides are recommended.

### Dimensions



## Specification Information

### Step 1.

**AAS32H**

### Step 2. Material Selection

- 01** polypropylene shell, non-upholstered
- 02** polypropylene shell, front upholstery

### Prices for Steps 1-2.

<b>AAS32H 01</b>	\$449
<b>02</b>	\$612

### Step 3. Polypropylene Shell Finish

<b>BLK</b> black <input type="checkbox"/>	+\$0
<b>BRK</b> brick <input type="checkbox"/>	+\$0
<b>CNG</b> concrete grey <input type="checkbox"/>	+\$0
<b>CWT</b> cream white <input type="checkbox"/>	+\$0
<b>DTB</b> dusty blue <input type="checkbox"/>	+\$0
<b>DTG</b> dusty green <input type="checkbox"/>	+\$0
<b>GRN</b> green <input type="checkbox"/>	+\$0
<b>GRY</b> grey <input type="checkbox"/>	+\$0
<b>KHK</b> khaki <input type="checkbox"/>	+\$0
<b>ORG</b> orange <input type="checkbox"/>	+\$0
<b>PSG</b> pastel green <input type="checkbox"/>	+\$0
<b>SBK</b> soft black <input type="checkbox"/>	+\$0
<b>WHT</b> white <input type="checkbox"/>	+\$0
<b>WRD</b> warm red <input type="checkbox"/>	+\$0

### Step 4. Base Finish

<b>COV</b> clear lacquered oak veneer <input type="checkbox"/>	+\$0
<b>BOV</b> black stained oak veneer <input type="checkbox"/>	+\$0
<b>MOV</b> matte lacquered oak veneer <input type="checkbox"/>	+\$0

### Step 5. Footrest Finish

<b>BPS</b> black powder coated steel <input type="checkbox"/>	+\$0
<b>SLS</b> stainless steel <input type="checkbox"/>	+\$0

### Step 6. Glide Option

<b>SDG</b> standard glides <input type="checkbox"/>	+\$0
<b>FGL</b> felt glides <input type="checkbox"/>	+\$17

# About A Stool Wood Base, High Height with Optional Front Upholstery *continued*

---

## Step 7. Fabric

*For polypropylene shell, front upholstery (02)*

Price Category (HAY) 1	+\$0
Price Category (HAY) 2	+\$28
Price Category (HAY) 3	+\$32
Price Category (HAY) 4	+\$49
Price Category (HAY) 5	+\$176



# About A Stool Wood Base, High Height with Full Upholstery AAS33



## Product Information

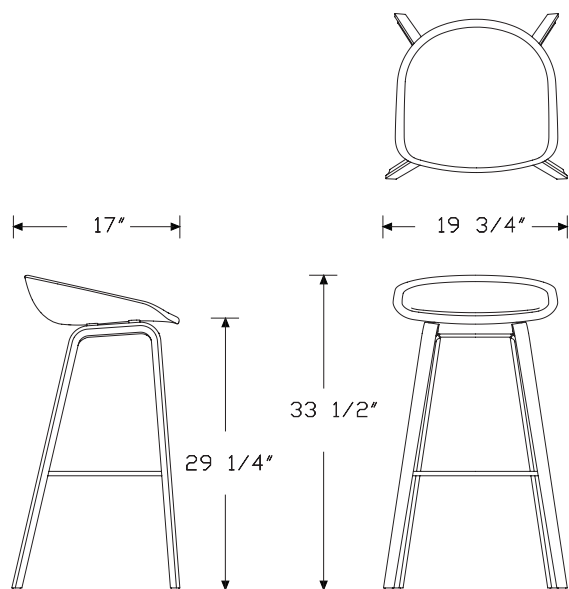
### Description

This stool has an injection molded solid-colored polypropylene seat with optional seat, front-edge or full upholstery. The molded beech plywood legs have 2 veneer color options and can have standard, felt, or soft felt glides. High model is suitable for bar tables.

### Notes

Standard glides are suitable for most floorings which are not too sensitive, such as wood, concrete, linoleum, tiles, firm carpets, etc.). Standard felt glides are for use with wooden floors. For sensitive wooden floors such as pine wood or painted floors, soft felt glides are recommended.

### Dimensions



## Specification Information

### Step 1.

**AAS33H**  A

### Step 2. Material Selection

**04** fully upholstered  A

### Prices for Steps 1-2.

**AAS33H 04** \$629

### Step 3. Base Finish

**COV** clear lacquered oak veneer  A +\$0  
**BOV** black stained oak veneer  A +\$0  
**MOV** matte lacquered oak veneer  A +\$0

### Step 4. Footrest Finish

**BPS** black powder coated steel  A +\$0  
**SLS** stainless steel  A +\$0

### Step 5. Glide Option

**SDG** standard glides  A +\$0  
**FGL** felt glides  A +\$17

### Step 6. Fabric

Price Category (HAY) 1 +\$0  
 Price Category (HAY) 2 +\$30  
 Price Category (HAY) 3 +\$34  
 Price Category (HAY) 4 +\$52  
 Price Category (HAY) 5 +\$187

# About A Stool Metal Base, Low Height with Optional Front Upholstery

AAS38

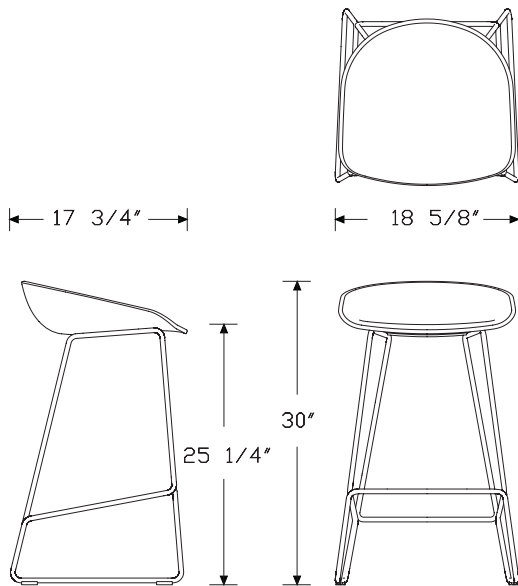


## Product Information

### Description

This stool has an injection molded solid-colored polypropylene seat with optional seat, front-edge or full upholstery. The sled base is 12mm solid stainless steel. Low model is suitable for kitchen counters.

### Dimensions



HAY Stools

## Specification Information

### Step 1.

**AAS38L**

### Step 2. Material Selection

- 01** polypropylene shell, non-upholstered
- 02** polypropylene shell, front upholstery

### Prices for Steps 1-2.

<b>AAS38L 01</b>	\$393
<b>02</b>	\$556

### Step 3. Polypropylene Shell Finish

<b>BLK</b> black <input type="checkbox"/>	+\$0
<b>BRK</b> brick <input type="checkbox"/>	+\$0
<b>CNG</b> concrete grey <input type="checkbox"/>	+\$0
<b>CWT</b> cream white <input type="checkbox"/>	+\$0
<b>DTB</b> dusty blue <input type="checkbox"/>	+\$0
<b>DTG</b> dusty green <input type="checkbox"/>	+\$0
<b>GRN</b> green <input type="checkbox"/>	+\$0
<b>GRY</b> grey <input type="checkbox"/>	+\$0
<b>KHK</b> khaki <input type="checkbox"/>	+\$0
<b>ORG</b> orange <input type="checkbox"/>	+\$0
<b>PSG</b> pastel green <input type="checkbox"/>	+\$0
<b>SBK</b> soft black <input type="checkbox"/>	+\$0
<b>WHT</b> white <input type="checkbox"/>	+\$0
<b>WRD</b> warm red <input type="checkbox"/>	+\$0

### Step 4. Base Finish

<b>SLS</b> stainless steel <input type="checkbox"/>	+\$76
<b>BPS</b> black powder coated steel <input type="checkbox"/>	+\$0
<b>WPS</b> white powder coated steel <input type="checkbox"/>	+\$0

### Step 5. Glide Option

<b>SDG</b> standard glides <input type="checkbox"/>	+\$0
<b>FGL</b> felt glides <input type="checkbox"/>	+\$17

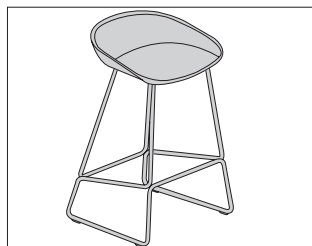
### Step 6. Fabric

*For polypropylene shell, front upholstery (02)*

Price Category (HAY) 1	+\$0
Price Category (HAY) 2	+\$28
Price Category (HAY) 3	+\$32
Price Category (HAY) 4	+\$49
Price Category (HAY) 5	+\$176

# About A Stool Metal Base, Low Height with Full Upholstery

AAS39

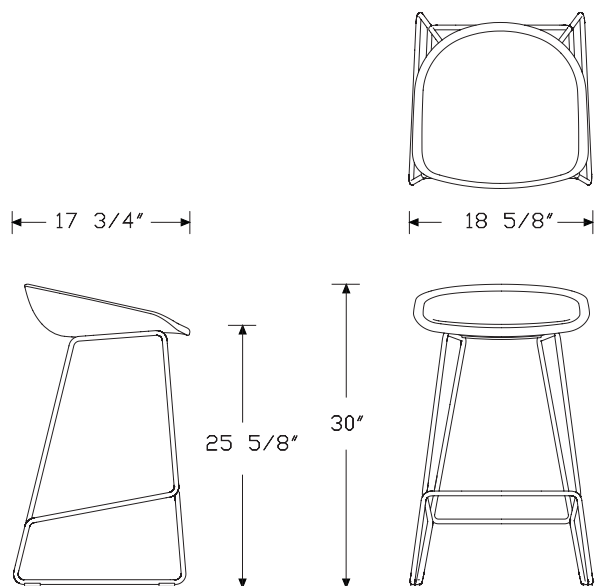


### Product Information

#### Description

This stool has an injection molded solid-colored polypropylene seat with optional seat, front-edge or full upholstery. The sled base is 12mm solid stainless steel. Low model is suitable for kitchen counters.

#### Dimensions



### Specification Information

#### Step 1.

**AAS39L** [A]

#### Step 2. Material Selection

**04** fully upholstered [A]

#### Prices for Steps 1-2.

**AAS39L 04** \$573

#### Step 3. Base Finish

**SLS** stainless steel [A] +\$76  
**BPS** black powder coated steel [A] +\$0  
**WPS** white powder coated steel [A] +\$0

#### Step 4. Glide Option

**SDG** standard glides [A] +\$0  
**FGL** felt glides [A] +\$17

#### Step 5. Fabric

Price Category (HAY) 1 +\$0  
 Price Category (HAY) 2 +\$30  
 Price Category (HAY) 3 +\$34  
 Price Category (HAY) 4 +\$52  
 Price Category (HAY) 5 +\$187

HAY Stools

# About A Stool Metal Base, High Height with Optional Front Upholstery AAS38

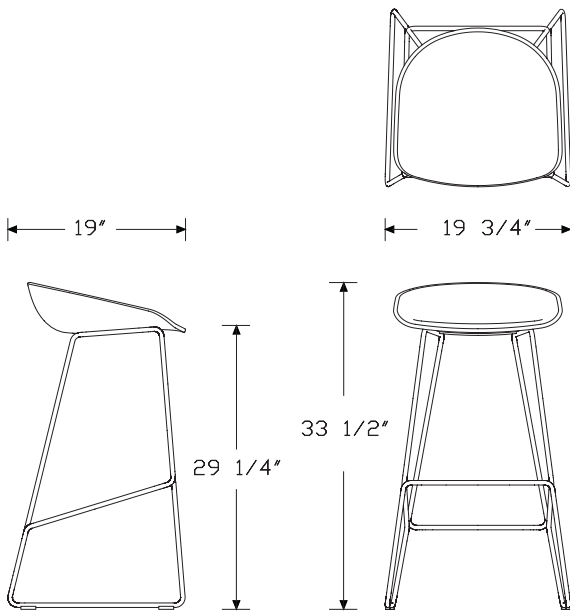


## Product Information

### Description

This stool has an injection molded solid-colored polypropylene seat with optional seat, front-edge or full upholstery. The sled base is 12mm solid stainless steel. High model is suitable for bar tables.

### Dimensions



HAY Stools

## Specification Information

### Step 1.

**AAS38H**

### Step 2. Material Selection

- 01** polypropylene shell, non-upholstered
- 02** polypropylene shell, front upholstery

### Prices for Steps 1-2.

<b>AAS38H 01</b>	\$393
<b>02</b>	\$556

### Step 3. Polypropylene Shell Finish

<b>BLK</b> black <input type="checkbox"/>	+\$0
<b>BRK</b> brick <input type="checkbox"/>	+\$0
<b>CNG</b> concrete grey <input type="checkbox"/>	+\$0
<b>CWT</b> cream white <input type="checkbox"/>	+\$0
<b>DTB</b> dusty blue <input type="checkbox"/>	+\$0
<b>DTG</b> dusty green <input type="checkbox"/>	+\$0
<b>GRN</b> green <input type="checkbox"/>	+\$0
<b>GRY</b> grey <input type="checkbox"/>	+\$0
<b>KHK</b> khaki <input type="checkbox"/>	+\$0
<b>ORG</b> orange <input type="checkbox"/>	+\$0
<b>PSG</b> pastel green <input type="checkbox"/>	+\$0
<b>SBK</b> soft black <input type="checkbox"/>	+\$0
<b>WHT</b> white <input type="checkbox"/>	+\$0
<b>WRD</b> warm red <input type="checkbox"/>	+\$0

### Step 4. Base Finish

<b>SLS</b> stainless steel <input type="checkbox"/>	+\$76
<b>BPS</b> black powder coated steel <input type="checkbox"/>	+\$0
<b>WPS</b> white powder coated steel <input type="checkbox"/>	+\$0

### Step 5. Glide Option

<b>SDG</b> standard glides <input type="checkbox"/>	+\$0
<b>FGL</b> felt glides <input type="checkbox"/>	+\$17

### Step 6. Fabric

*For polypropylene shell, front upholstery (02)*

Price Category (HAY) 1	+\$0
Price Category (HAY) 2	+\$28
Price Category (HAY) 3	+\$32
Price Category (HAY) 4	+\$49
Price Category (HAY) 5	+\$176

# About A Stool Metal Base, High Height with Full Upholstery AAS39

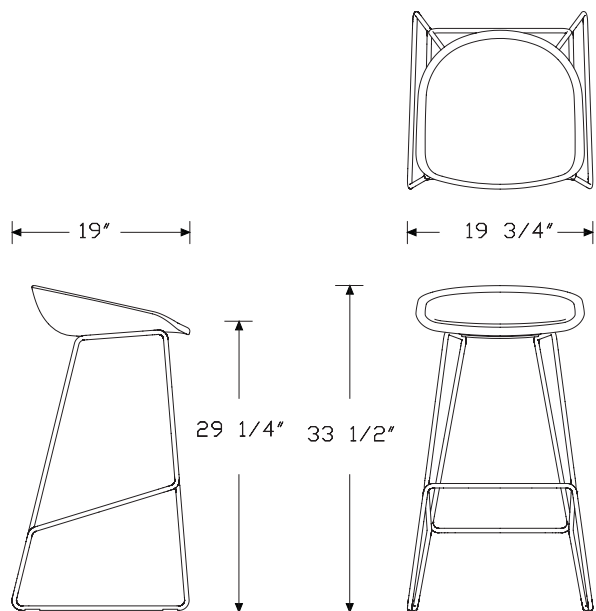


### Product Information

#### Description

This stool has an injection molded solid-colored polypropylene seat with optional seat, front-edge or full upholstery. The sled base is 12mm solid stainless steel. High model is suitable for bar tables.

#### Dimensions



### Specification Information

#### Step 1.

**AAS39H** A

#### Step 2. Material Selection

**04** fully upholstered A

#### Prices for Steps 1-2.

**AAS39H 04** \$573

#### Step 3. Base Finish

**SLS** stainless steel A +\$76

**BPS** black powder coated steel A +\$0

**WPS** white powder coated steel A +\$0

#### Step 4. Glide Option

**SDG** standard glides A +\$0

**FGL** felt glides A +\$17

#### Step 5. Fabric

Price Category (HAY) 1 +\$0

Price Category (HAY) 2 +\$30

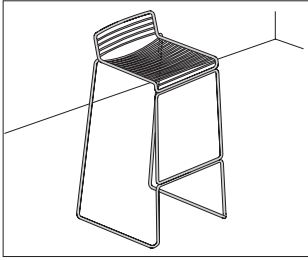
Price Category (HAY) 3 +\$34

Price Category (HAY) 4 +\$52

Price Category (HAY) 5 +\$187

# HEE Bar Stool High

HEEBS



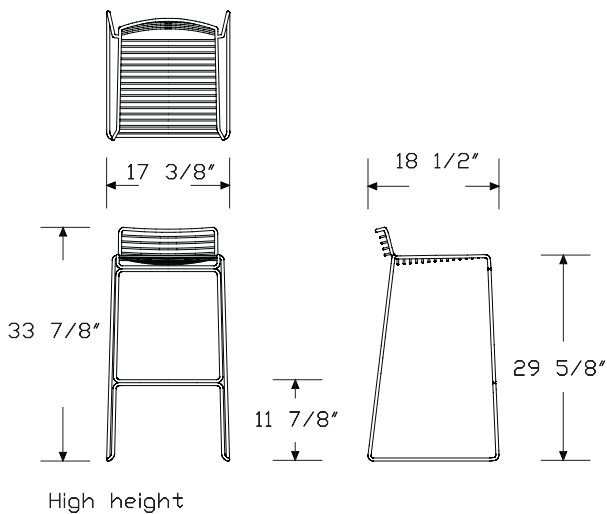
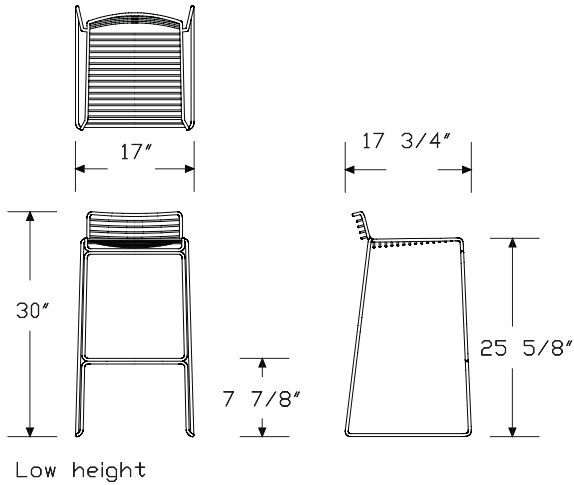
HAY Stools

### Product Information

#### Description

This outdoor bar stool is constructed with solid steel bars in 11mm welded wire. The 2-component coating includes a primer and outdoor powder coating to provide a barrier against corrosive elements. Chair comes with pre-mounted glides.

#### Dimensions



### Specification Information

#### Step 1.

**HEEBSH**  A \$329

#### Step 2. Finish

**BPS** black powder coated steel  A +\$0

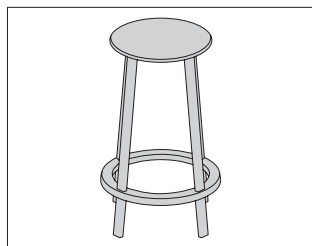
**WPS** white powder coated steel  A +\$0

#### Step 3. Glide Option

**SDG** standard glides  A +\$0

Revolver Bar Stool Low with Footrest

REVL



**Product Information**

**Description**

This steel low bar stool with footrest has a hidden swivel and can be finished in black, red or sky grey powder coat. Some assembly required.

**Dimensions**

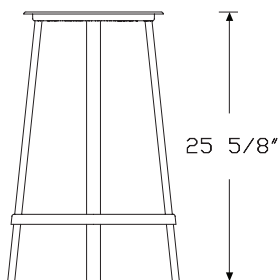
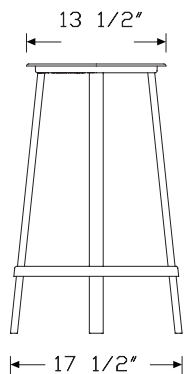
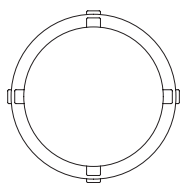
**Specification Information**

**Step 1.**

**REVL** [A] \$488

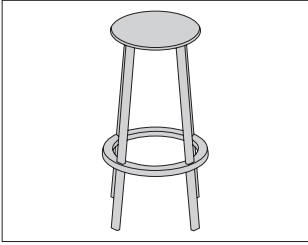
**Step 2. Finish**

**BPS** black powder coated steel [A] +\$0  
**RPS** red powder coated steel [A] +\$0  
**YPS** sky grey powder coated steel [A] +\$0



Revolver Bar Stool High with Footrest

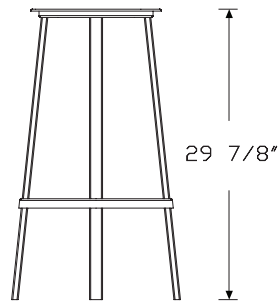
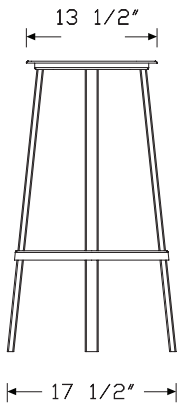
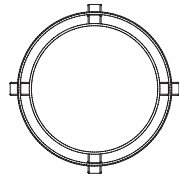
REVH



**Product Information**

**Description**  
 This steel high bar stool with footrest has a hidden swivel and can be finished in black, red or sky grey powder coat. Some assembly required.

**Dimensions**



**Specification Information**

**Step 1.**  
**REVH** [A] \$405

**Step 2. Finish**

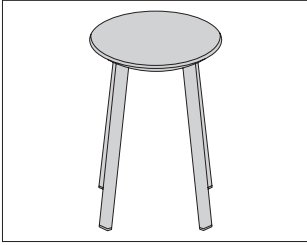
<b>BPS</b>	black powder coated steel [A]	+\$0
<b>RPS</b>	red powder coated steel [A]	+\$0
<b>YPS</b>	sky grey powder coated steel [A]	+\$0

HAY Stools



# Revolver Stool

REVS



### Product Information

#### Description

This steel stool has a hidden swivel and can be finished in black, red or sky grey powder coat. Some assembly required.

#### Dimensions

### Specification Information

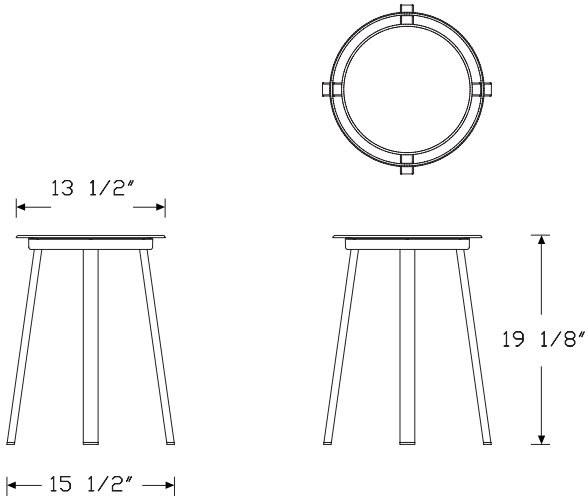
#### Step 1.

**REVS** A \$285

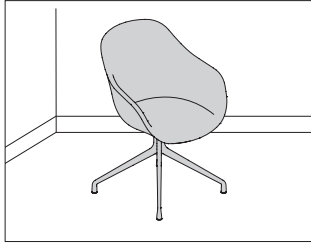
#### Step 2. Finish

**BPS** black powder coated steel A +\$0  
**RPS** red powder coated steel A +\$0  
**YPS** sky grey powder coated steel A +\$0

HAY Stools



About A Chair 121, 4-Star Glides, AAC12



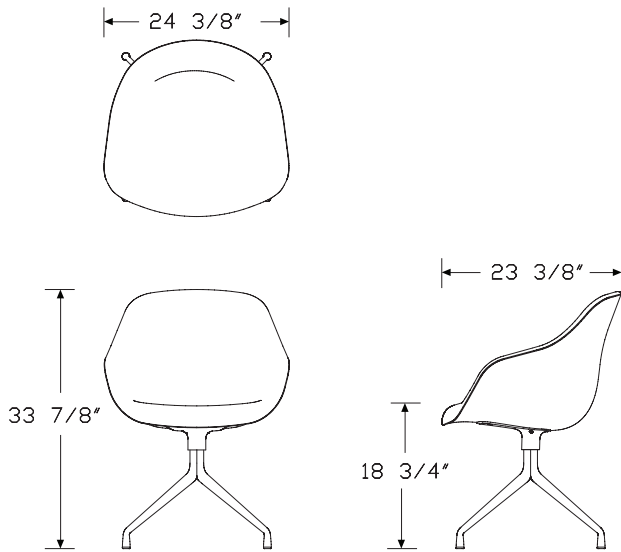
**Product Information**

**Description**

This chair has a polypropylene seat with full upholstery. 4-star aluminum base is available in several finishes and comes with standard glides.

**Dimensions**

HAY About A Chair 100



**Specification Information**

**Step 1.**

**AAC121**

**Step 2. Material Selection**

**04** fully upholstered

**Prices for Steps 1-2.**

**AAC121 04** \$927

**Step 3. Base Finish**

**PAL** polished aluminum  +\$0

**BPA** black powder coated aluminum  +\$0

**Step 4. Glide Option**

**SDG** standard glides  +\$0

**Step 5. Fabric**

Price Category (HAY) 1 +\$0

Price Category (HAY) 2 +\$52

Price Category (HAY) 3 +\$60

Price Category (HAY) 4 +\$93

Price Category (HAY) 5 +\$224

About A Chair 121 Soft, 4-Star  
Glides, Fully Upholstered

AAC12

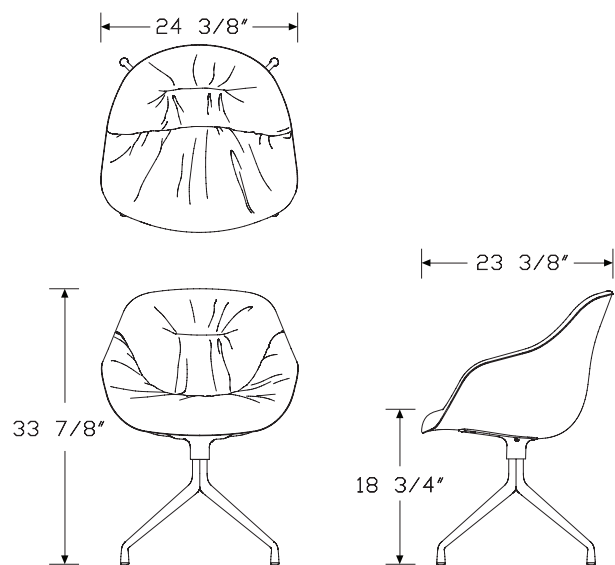


**Product Information**

**Description**

This chair has a polypropylene seat with quilted full upholstery. 4-star aluminum base is available in several finishes and comes with standard glides.

**Dimensions**



**Specification Information**

**Step 1.**

**AAC121S**  A

**Step 2. Material Selection**

**04** fully upholstered  A

**Prices for Steps 1-2.**

**AAC121S 04** \$963

**Step 3. Base Finish**

**PAL** polished aluminum  A +\$0

**BPA** black powder coated aluminum  A +\$0

**Step 4. Glide Option**

**SDG** standard glides  A +\$0

**Step 5. Fabric**

Price Category (HAY) 1 +\$0

Price Category (HAY) 2 +\$52

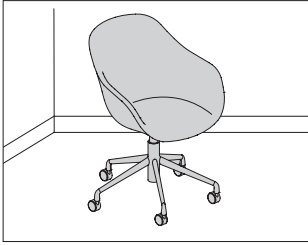
Price Category (HAY) 3 +\$60

Price Category (HAY) 4 +\$93

Price Category (HAY) 5 +\$224

HAY About A Chair 100

About A Chair 153, 5-Star Swivel, Fully Upholstered AAC15

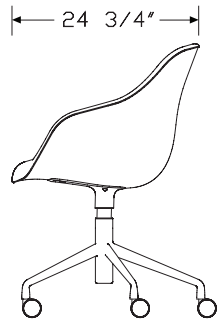
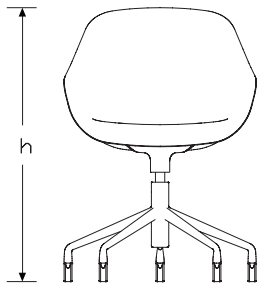
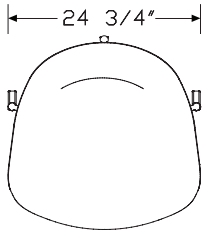


**Product Information**

**Description**

This chair has a polypropylene seat with full upholstery. 5-star aluminum swivel base with casters is available in several finishes.

**Dimensions**



HAY About A Chair 100

**Specification Information**

**Step 1.**

**AAC153**  A

**Step 2. Material Selection**

**04** fully upholstered  A

**Prices for Steps 1-2.**

**AAC153 04** \$1293

**Step 3. Base Finish**

**PAL** polished aluminum  A +\$0

**BPA** black powder coated aluminum  A +\$0

**Step 4. Glide Option**

**SDG** standard glides  A +\$0

**Step 5. Fabric**

Price Category (HAY) 1 +\$0

Price Category (HAY) 2 +\$52

Price Category (HAY) 3 +\$60

Price Category (HAY) 4 +\$93

Price Category (HAY) 5 +\$224

# About A Chair 153 Soft, 5-Star Swivel, Fully Upholstered

AAC15

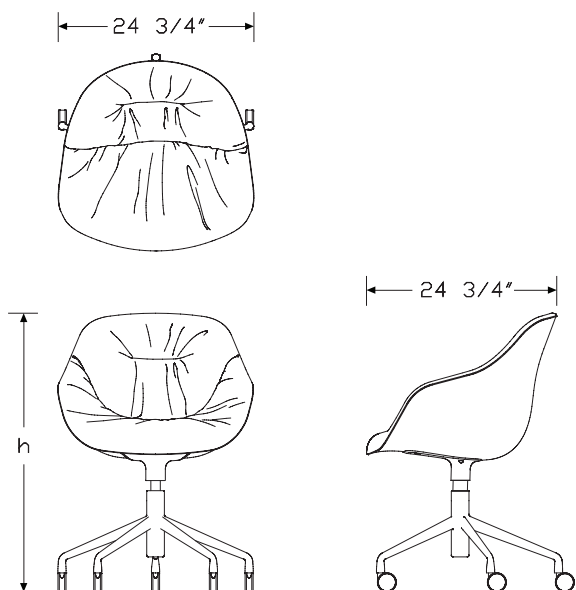


## Product Information

### Description

This chair has a polypropylene seat with quilted full upholstery. 5-star aluminum swivel base with casters is available in several finishes.

### Dimensions



## Specification Information

### Step 1.

**AAC153S**  A

### Step 2. Material Selection

**04** fully upholstered  A

### Prices for Steps 1-2.

**AAC153S 04** \$1373

### Step 3. Base Finish

**PAL** polished aluminum  A +\$0

**BPA** black powder coated aluminum  A +\$0

### Step 4. Glide Option

**SDG** standard glides  A +\$0

### Step 5. Fabric

Price Category (HAY) 1 +\$0

Price Category (HAY) 2 +\$52

Price Category (HAY) 3 +\$60

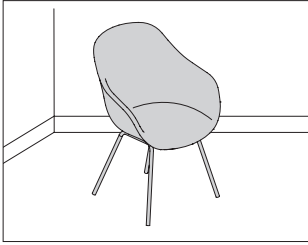
Price Category (HAY) 4 +\$93

Price Category (HAY) 5 +\$224

HAY About A Chair 100

About A Chair 127, Metal 4-Leg Base, Fully Upholstered

AAC12

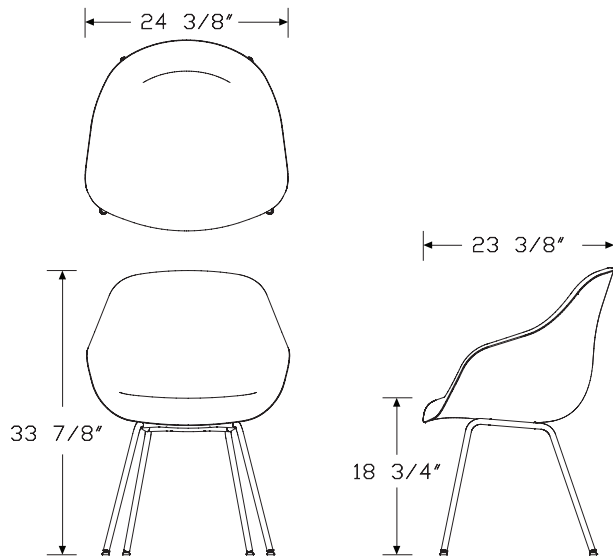


**Product Information**

**Description**

This chair has a polypropylene seat with full upholstery. Metal 4-leg base is available in several finishes and comes with standard glides.

**Dimensions**



HAY About A Chair 100

**Specification Information**

**Step 1.**

**AAC127**  A

**Step 2. Material Selection**

**04** fully upholstered  A

**Prices for Steps 1-2.**

**AAC127 04** \$927

**Step 3. Base Finish**

**BPS** black powder coated steel  A +\$0

**CHS** chromed steel  A +\$20

**Step 4. Glide Option**

**SDG** standard glides  A +\$0

**Step 5. Fabric**

Price Category (HAY) 1 +\$0

Price Category (HAY) 2 +\$52

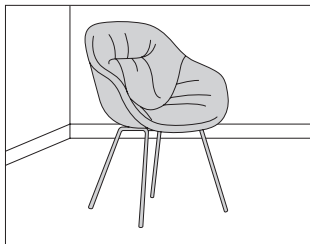
Price Category (HAY) 3 +\$60

Price Category (HAY) 4 +\$93

Price Category (HAY) 5 +\$224

About A Chair 127 Soft, Metal  
4-Leg Base, Fully Upholstered

AAC12

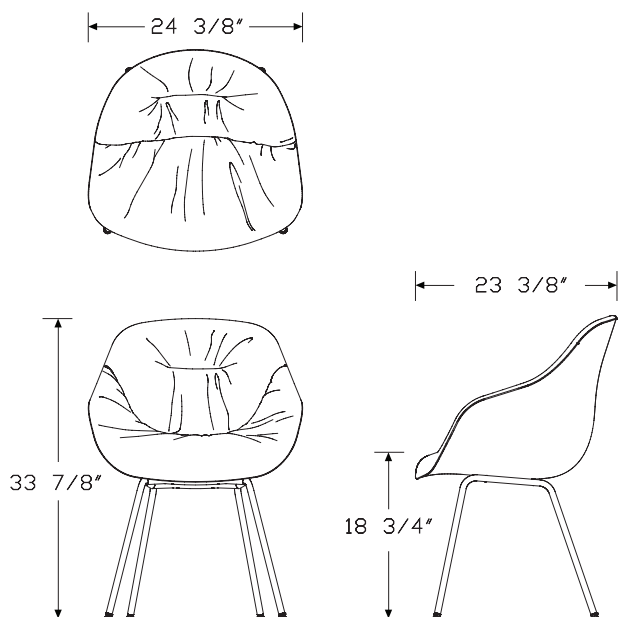


**Product Information**

**Description**

This chair has a polypropylene seat with quilted full upholstery. Metal 4-leg base is available in several finishes and comes with standard glides.

**Dimensions**



**Specification Information**

**Step 1.**

**AAC127S** [A]

**Step 2. Material Selection**

**04** fully upholstered [A]

**Prices for Steps 1-2.**

**AAC127S 04** \$1049

**Step 3. Base Finish**

**BPS** black powder coated steel [A] +\$0

**CHS** chromed steel [A] +\$20

**Step 4. Glide Option**

**SDG** standard glides [A] +\$0

**Step 5. Fabric**

Price Category (HAY) 1 +\$0

Price Category (HAY) 2 +\$52

Price Category (HAY) 3 +\$60

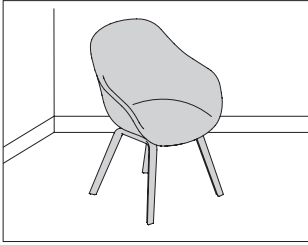
Price Category (HAY) 4 +\$93

Price Category (HAY) 5 +\$224

HAY About A Chair 100

About A Chair 123, Wood 4-Leg Base, Fully Upholstered

AAC12

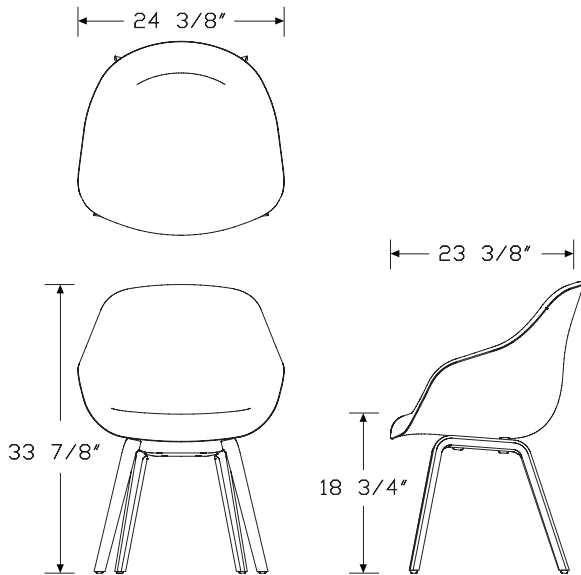


**Product Information**

**Description**

This chair has a polypropylene seat with full upholstery. Wood 4-leg base is available in several finishes and comes with standard glides.

**Dimensions**



HAY About A Chair 100

**Specification Information**

**Step 1.**

**AAC123**  A

**Step 2. Material Selection**

**04** fully upholstered  A

**Prices for Steps 1-2.**

**AAC123 04** \$968

**Step 3. Base Finish**

- BOV** black stained oak veneer  A +\$0
- COV** clear lacquered oak veneer  A +\$0
- MOV** matte lacquered oak veneer  A +\$0

**Step 4. Glide Option**

**SDG** standard glides  A +\$0

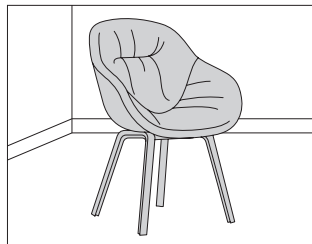
**Step 5. Fabric**

- Price Category (HAY) 1 +\$0
- Price Category (HAY) 2 +\$52
- Price Category (HAY) 3 +\$60
- Price Category (HAY) 4 +\$93
- Price Category (HAY) 5 +\$224



About A Chair 123 Soft, Wood  
4-Leg Base, Fully Upholstered

AAC12

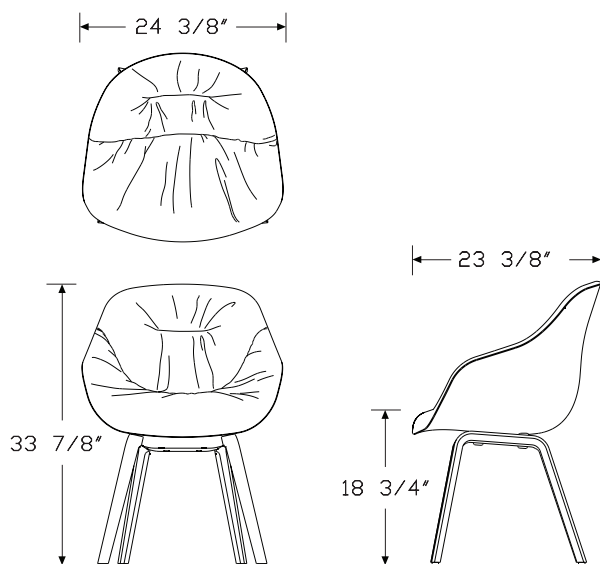


**Product Information**

**Description**

This chair has a polypropylene seat with quilted full upholstery. Wood 4-leg base is available in several finishes and comes with standard glides.

**Dimensions**



**Specification Information**

**Step 1.**

**AAC123S** [A]

**Step 2. Material Selection**

**04** fully upholstered [A]

**Prices for Steps 1-2.**

**AAC123S 04** \$1049

**Step 3. Base Finish**

**BOV** black stained oak veneer [A] +\$0  
**COV** clear lacquered oak veneer [A] +\$0  
**MOV** matte lacquered oak veneer [A] +\$0

**Step 4. Glide Option**

**SDG** standard glides [A] +\$0

**Step 5. Fabric**

Price Category (HAY) 1 +\$0  
 Price Category (HAY) 2 +\$52  
 Price Category (HAY) 3 +\$60  
 Price Category (HAY) 4 +\$93  
 Price Category (HAY) 5 +\$224

HAY About A Chair 100

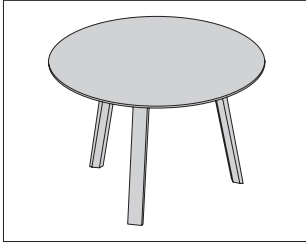






# Bella Coffee Table

BELR1  
BELR2

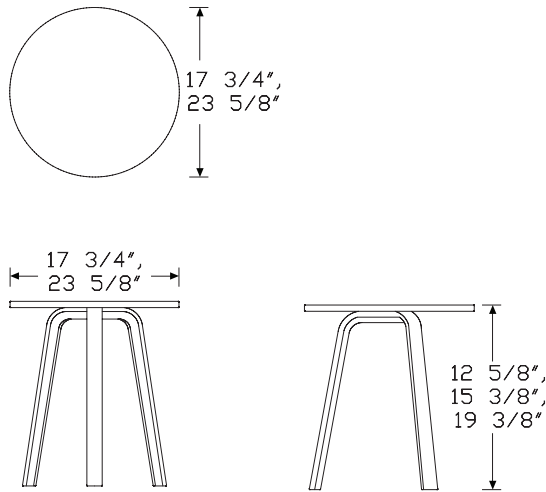


## Product Information

### Description

This coffee table has molded oak veneer legs and an 18mm solid wood top. Available in select matching finish options.

### Dimensions



## Specification Information

### Step 1.

**BEL**  A

### Step 2. Shape

**R** round  A

### Step 3. Size

- 1815** 17.72" diameter x 15.35" high  A
- 1819** 17.72" diameter x 19.29" high  A
- 2413** 23.62" diameter x 12.6" high  A
- 2415** 23.62" diameter x 15.35" high  A

### Prices for Steps 1-3.

<b>BELR1815</b>	\$483
<b>BELR1819</b>	\$483
<b>BELR2413</b>	\$646
<b>BELR2415</b>	\$646

### Step 4. Top Finish

#### For 17.72" diameter x 15.35" high (1815)

<b>BSO</b>	black stained solid oak <input type="checkbox"/> A	+\$0
<b>RSO</b>	dark brick stained solid oak <input type="checkbox"/> A	+\$0
<b>MSO</b>	matte lacquered solid oak <input type="checkbox"/> A	+\$0
<b>WSO</b>	white stained solid oak <input type="checkbox"/> A	+\$0

#### For 17.72" diameter x 19.29" high (1819)

<b>BSO</b>	black stained solid oak <input type="checkbox"/> A	+\$0
<b>MSO</b>	matte lacquered solid oak <input type="checkbox"/> A	+\$0
<b>NSO</b>	brunswick green solid oak <input type="checkbox"/> A	+\$0
<b>RSO</b>	dark brick stained solid oak <input type="checkbox"/> A	+\$0
<b>WSO</b>	white stained solid oak <input type="checkbox"/> A	+\$0

#### For 23.62" diameter x 12.6" high (2413)

<b>BSO</b>	black stained solid oak <input type="checkbox"/> A	+\$0
<b>MSO</b>	matte lacquered solid oak <input type="checkbox"/> A	+\$0
<b>WSO</b>	white stained solid oak <input type="checkbox"/> A	+\$0

#### For 23.62" diameter x 15.35" high (2415)

<b>BSO</b>	black stained solid oak <input type="checkbox"/> A	+\$0
<b>MSO</b>	matte lacquered solid oak <input type="checkbox"/> A	+\$0
<b>NSO</b>	brunswick green solid oak <input type="checkbox"/> A	+\$0
<b>WSO</b>	white stained solid oak <input type="checkbox"/> A	+\$0

Bella Coffee Table *continued*

HAY Occasional Tables

---

Step 5. Base Finish

---

*For black stained solid oak (BSO)*

**BOV** black stained oak veneer  **A** +\$0

---

*For dark brick stained solid oak (RSO)*

**DOV** dark brick stained oak veneer  **A** +\$0

---

*For matte lacquered solid oak (MSO)*

**MOV** matte lacquered oak veneer  **A** +\$0

---

*For brunswick green solid oak (NSO)*

**NOV** brunswick green stained oak veneer  **A** +\$0

---

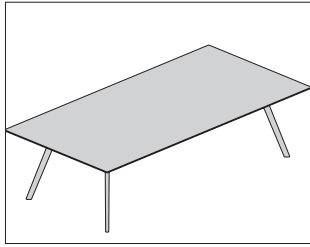
*For white stained solid oak (WSO)*

**WOV** white stained oak veneer  **A** +\$0

---

# Copenhagen Table, Rectangle, with Slanted Legs

CPH30

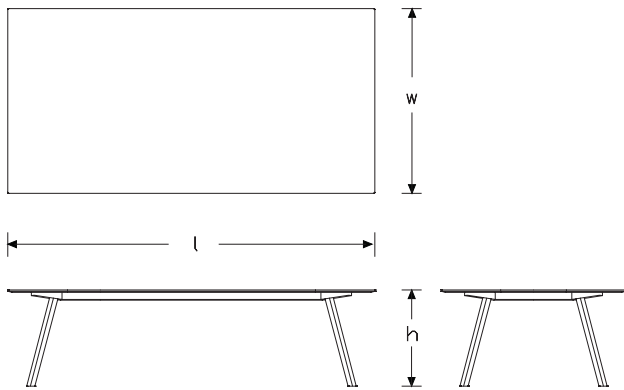


## Product Information

### Description

This solid oak rectangular table has 4 slanted legs and comes in 2 heights. Top can be finished in a variety of linoleum, veneer and laminate options.

### Dimensions



Size Chart		
l	w	h
78 3/4"	31 1/2"	41 3/8"
78 3/4"	35 1/2"	29 1/8"
98 1/2"	35 1/2"	29 1/8"
98 1/2"	47 1/4"	29 1/8"
118 1/8"	35 1/2"	29 1/8"
118 1/8"	47 1/4"	29 1/8"

## Specification Information

### Step 1.

**CPH30** A

### Step 2. Size

- 7932** 78.74" long x 31.5" wide x 41.34" high A
- 7935** 78.74" long x 35.43" wide x 29.13" high A
- 9835** 98.43" long x 35.43" wide x 29.13" high A
- 9847** 98.43" long x 47.24" wide x 29.13" high A
- 11835** 118.11" long x 35.43" wide x 29.13" high A
- 11847** 118.11" long x 47.24" wide x 29.13" high A

### Prices for Steps 1-2.

<b>CPH30</b>	<b>7932</b>	\$2402
	<b>7935</b>	\$2195
	<b>9835</b>	\$2366
	<b>9847</b>	\$3227
	<b>11835</b>	\$3312
	<b>11847</b>	\$4157

### Step 3. Base Finish

<b>BSO</b>	black stained solid oak <span style="border: 1px solid black; padding: 0 2px;">A</span>	+\$0
<b>CSO</b>	clear lacquered solid oak <span style="border: 1px solid black; padding: 0 2px;">A</span>	+\$0
<b>MSO</b>	matte lacquered solid oak <span style="border: 1px solid black; padding: 0 2px;">A</span>	+\$0

### Step 4. Top Finish

#### For black stained solid oak (BSO)

<b>BLI</b>	black linoleum <span style="border: 1px solid black; padding: 0 2px;">A</span>	+\$0
<b>BOV</b>	black stained oak veneer <span style="border: 1px solid black; padding: 0 2px;">A</span>	+\$321
<b>BOV</b>	black stained oak veneer <span style="border: 1px solid black; padding: 0 2px;">A</span>	+\$329
<b>BOV</b>	black stained oak veneer <span style="border: 1px solid black; padding: 0 2px;">A</span>	+\$342
<b>BOV</b>	black stained oak veneer <span style="border: 1px solid black; padding: 0 2px;">A</span>	+\$343
<b>BOV</b>	black stained oak veneer <span style="border: 1px solid black; padding: 0 2px;">A</span>	+\$349
<b>BOV</b>	black stained oak veneer <span style="border: 1px solid black; padding: 0 2px;">A</span>	+\$379

#### For clear lacquered solid oak (CSO)

<b>BLI</b>	black linoleum <span style="border: 1px solid black; padding: 0 2px;">A</span>	+\$0
<b>COV</b>	clear lacquered oak veneer <span style="border: 1px solid black; padding: 0 2px;">A</span>	+\$0
<b>GLI</b>	green linoleum <span style="border: 1px solid black; padding: 0 2px;">A</span>	+\$0
<b>OLI</b>	off white linoleum <span style="border: 1px solid black; padding: 0 2px;">A</span>	+\$0
<b>RLI</b>	grey linoleum <span style="border: 1px solid black; padding: 0 2px;">A</span>	+\$0

HAY Occasional Tables

# Copenhagen Table, Rectangle, with Slanted Legs *continued*

HAY Occasional Tables

<i>For matte lacquered solid oak (MSO)</i>		
<b>BLI</b>	black linoleum <input type="checkbox"/> A	+\$0
<b>GLI</b>	green linoleum <input type="checkbox"/> A	+\$0
<b>RLI</b>	grey linoleum <input type="checkbox"/> A	+\$0
<b>OLI</b>	off white linoleum <input type="checkbox"/> A	+\$0
<b>MOV</b>	matte lacquered oak veneer <input type="checkbox"/> A	+\$321
<b>MOV</b>	matte lacquered oak veneer <input type="checkbox"/> A	+\$329
<b>MOV</b>	matte lacquered oak veneer <input type="checkbox"/> A	+\$342
<b>MOV</b>	matte lacquered oak veneer <input type="checkbox"/> A	+\$343
<b>MOV</b>	matte lacquered oak veneer <input type="checkbox"/> A	+\$349
<b>MOV</b>	matte lacquered oak veneer <input type="checkbox"/> A	+\$379

Step 5. Edge Finish

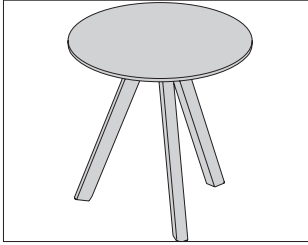
<i>For black stained solid oak (BSO)</i>		
<b>BPE</b>	plywood edge stained black <input type="checkbox"/> A	+\$0

<i>For clear lacquered solid oak (CSO)</i>		
<b>CPE</b>	plywood edge lacquered clear <input type="checkbox"/> A	+\$0

<i>For matte lacquered solid oak (MSO)</i>		
<b>MPE</b>	plywood edge lacquered matte <input type="checkbox"/> A	+\$0



# Copenhagen Table, Round with 3 Legs CPH20

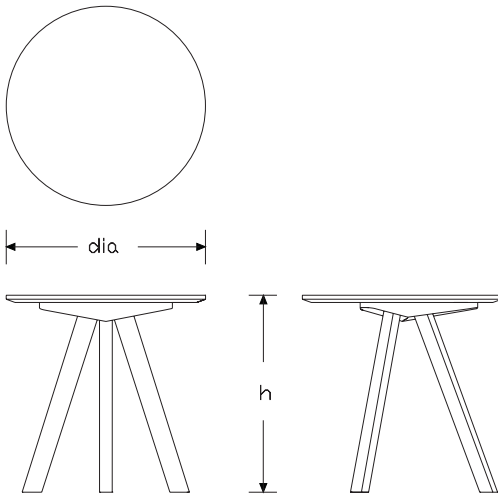


### Product Information

#### Description

This 3-leg solid oak round table comes in 3 heights. Top can be finished in a variety of linoleum, veneer and laminate options.

#### Dimensions



Size Chart	
dia	h
19 3/4"	19 3/8"
27 5/8"	41 3/8"
35 1/2"	29 1/8"
47 1/4"	29 1/8"

### Specification Information

#### Step 1.

**CPH20**

#### Step 2. Size

- 2019** 19.69" diameter x 19.29" high
- 2841** 27.56" diameter x 41.34" high
- 3529** 35.43" diameter x 29.13" high
- 4729** 47.24" diameter x 29.13" high

#### Prices for Steps 1-2.

<b>CPH20</b>	<b>2019</b>	\$563
	<b>2841</b>	\$1098
	<b>3529</b>	\$1098
	<b>4729</b>	\$1627

#### Step 3. Base Finish

- BSO** black stained solid oak  +\$0
- CSO** clear lacquered solid oak  +\$0
- MSO** matte lacquered solid oak  +\$0

#### Step 4. Top Finish

##### For matte lacquered solid oak (MSO)

- BLI** black linoleum  +\$0
- GLI** green linoleum  +\$0
- MOV** matte lacquered oak veneer  +\$0
- OLI** off white linoleum  +\$0
- RLI** grey linoleum  +\$0

##### For clear lacquered solid oak (CSO)

- BLI** black linoleum  +\$0
- COV** clear lacquered oak veneer  +\$0
- GLI** green linoleum  +\$0
- OLI** off white linoleum  +\$0
- RLI** grey linoleum  +\$0

##### For black stained solid oak (BSO)

- BLI** black linoleum  +\$0
- BOV** black stained oak veneer  +\$0

#### Step 5. Edge Finish

##### For black stained solid oak (BSO) with black linoleum (BLI), or black stained oak veneer (BOV)

- BPE** plywood edge stained black  +\$0

# Copenhagen Table, Round with 3 Legs *continued*

HAY Occasional Tables

---

*For matte lacquered solid oak (MSO) with black linoleum (BLI), green linoleum (GLI), matte lacquered oak veneer (MOV), or off white linoleum (OLI), or grey linoleum (RLI)*

**MPE** plywood edge lacquered matte  A +\$0

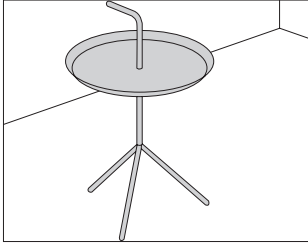
---

*For clear lacquered solid oak (CSO) with black linoleum (BLI), clear lacquered oak veneer (COV), green linoleum (GLI), or off white linoleum (OLI), or grey linoleum (RLI)*

**CPE** plywood edge lacquered clear  A +\$0

Don't Leave Me Table Round

DLMR1

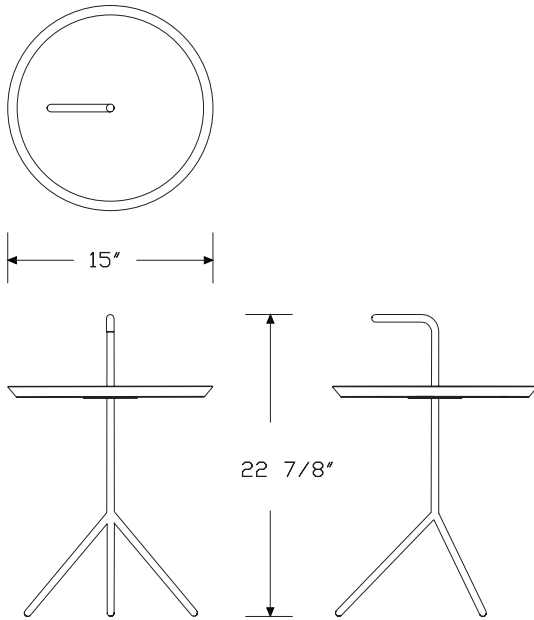


**Product Information**

**Description**

This powder coated steel table features a handle for carrying it from room to room.

**Dimensions**



**Specification Information**

**Step 1.**

**DLM**

**Step 2. Shape**

**R** round

**Step 3. Size**

**1523** 14.96" diameter x 22.83" high

**Prices for Steps 1-3.**

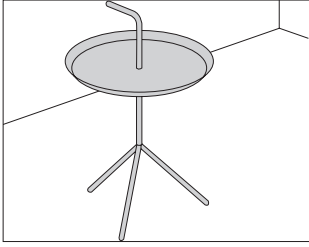
**DLMR1523** \$239

**Step 4. Finish**

- BPS** black powder coated steel  +\$0
- GRP** grey powder coated steel  +\$0
- MTP** mint powder coated steel  +\$0
- PWP** powder powder coated steel  +\$0
- NPS** racing green powder coated steel  +\$0
- WPS** white powder coated steel  +\$0

# Don't Leave Me Table Round, Extra Large

DLMRX



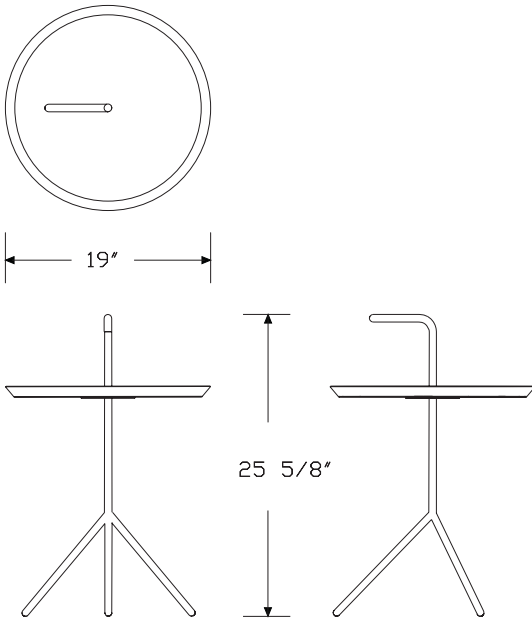
HAY Occasional Tables

## Product Information

### Description

This powder coated steel table features a handle for carrying it from room to room.

### Dimensions



## Specification Information

### Step 1.

**DLM**

### Step 2. Shape

**RXL** round, extra large

### Step 3. Size

**1926** 18.9" diameter x 25.59" high

### Prices for Steps 1-3.

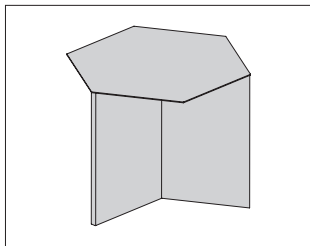
**DLMRXL 1926** \$317

### Step 4. Finish

- BPS** black powder coated steel  +\$0
- GRP** grey powder coated steel  +\$0
- PWP** powder powder coated steel  +\$0
- NPS** racing green powder coated steel  +\$0
- WPS** white powder coated steel  +\$0

# Slit Table Hexagon

SLTH1

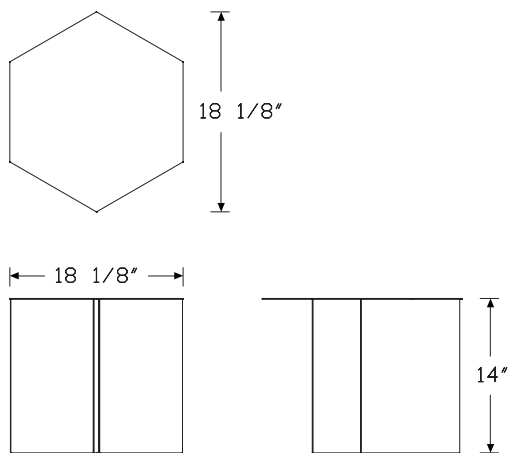


### Product Information

#### Description

This hexagonal powder-coated steel table can be finished in a variety of colors. Mirror and brass finishes are crafted in high-gloss polished stainless steel. Brass is plated with brass color.

#### Dimensions



### Specification Information

#### Step 1.

**SLT**  A

#### Step 2. Shape

**H** hexagon  A

#### Step 3. Size

**1814** 18.03" diameter x 13.98" high  A

#### Prices for Steps 1-3.

**SLTH1814** \$817

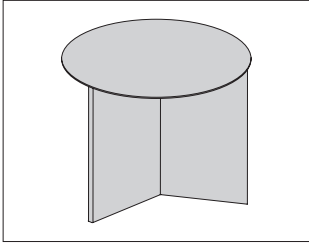
#### Step 4. Finish

**BRP** brass polished steel  A +\$0

**MRP** mirror polished steel  A +\$0

Slit Table Round

SLTR1



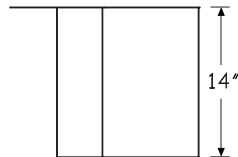
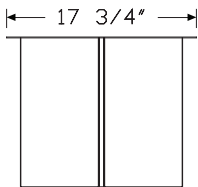
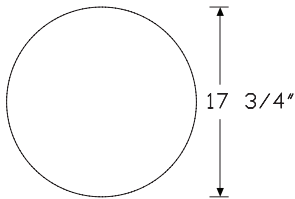
HAY Occasional Tables

**Product Information**

Description

This round powder-coated steel table can be finished in a variety of colors. Mirror and brass finishes are crafted in high-gloss polished stainless steel. Brass is plated with brass color.

Dimensions



**Specification Information**

Step 1.

SLT  A

Step 2. Shape

R round  A

Step 3. Size

1814 17.72" diameter x 13.98" high  A

Prices for Steps 1-3.

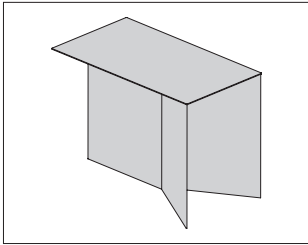
SLTR1814 \$354

Step 4. Finish

- BPS black powder coated steel  A +\$0
- BRP brass polished steel  A +\$463
- MRP mirror polished steel  A +\$463
- MSP moss powder coated steel  A +\$0
- PGP petrol grey powder coated steel  A +\$0
- WPS white powder coated steel  A +\$0

# Slit Table Oblong

SLTO1

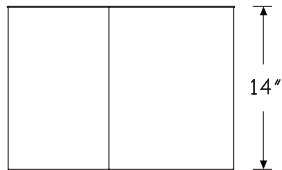
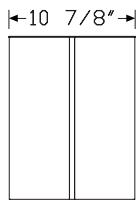
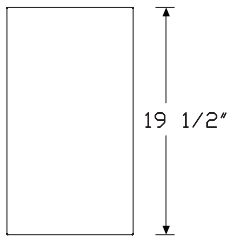


## Product Information

### Description

This oblong powder-coated steel table can be finished in a variety of colors. Mirror and brass finishes are crafted in high-gloss polished stainless steel. Brass is plated with brass color.

### Dimensions



## Specification Information

### Step 1.

**SLT**  A

### Step 2. Shape

**O** oblong  A

### Step 3. Size

**1911** 19.41" long x 10.83" wide x 13.98" high  A

### Prices for Steps 1-3.

**SLTO1911** \$805

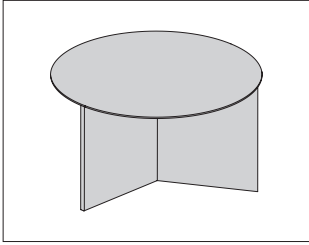
### Step 4. Finish

**BRP** brass polished steel  A +\$0

**MRP** mirror polished steel  A +\$0

Slit Table Round, Extra Large

SLTRX



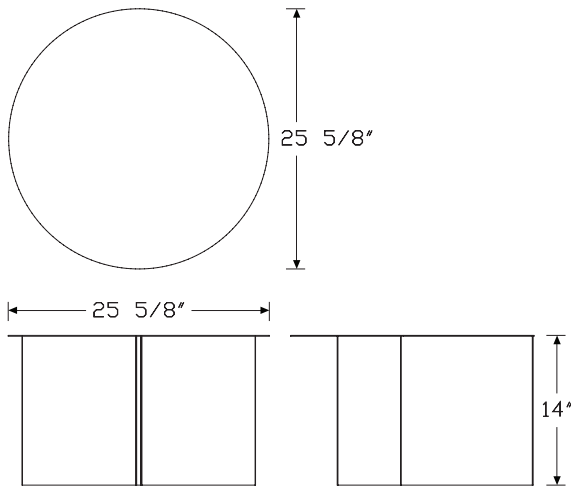
HAY Occasional Tables

**Product Information**

**Description**

This extra-large round powder-coated steel table can be finished in a variety of colors. Mirror and brass finishes are crafted in high-gloss polished stainless steel. Brass is plated with brass color.

**Dimensions**



**Specification Information**

**Step 1.**

**SLT**  A

**Step 2. Shape**

**RXL** round, extra large  A

**Step 3. Size**

**2614** 25.59" diameter x 13.98" high  A

**Prices for Steps 1-3.**

**SLTRXL 2614** \$517

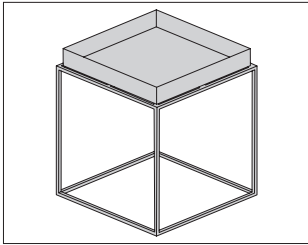
**Step 4. Finish**

- BPS** black powder coated steel  A +\$0
- BRP** brass polished steel  A +\$620
- MRP** mirror polished steel  A +\$620
- WPS** white powder coated steel  A +\$0



# Tray Table Square, Small

TTLSS

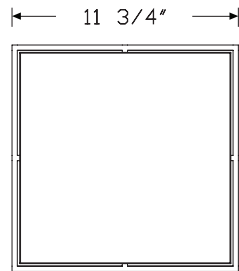


## Product Information

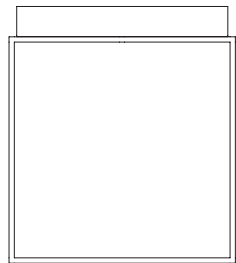
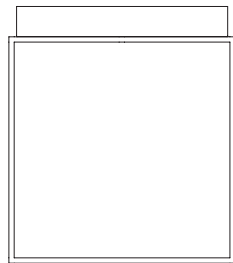
### Description

This small square table comes with a frame and removable tray top, both made of powder coated steel available in several colors.

### Dimensions



11 3/4"



13 3/8"

## Specification Information

### Step 1.

**TTL**  A

### Step 2. Shape

**SS** square, small  A

### Step 3. Size

**1213** 11.81" long x 11.81" wide x 13.39" high  A

### Prices for Steps 1-3.

**TTLSS 1213** \$307

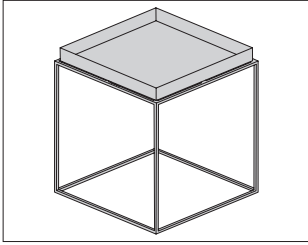
### Step 4. Finish

**BPS** black powder coated steel  A +\$0

**WPS** white powder coated steel  A +\$0

Tray Table Square, Medium

TTLSM



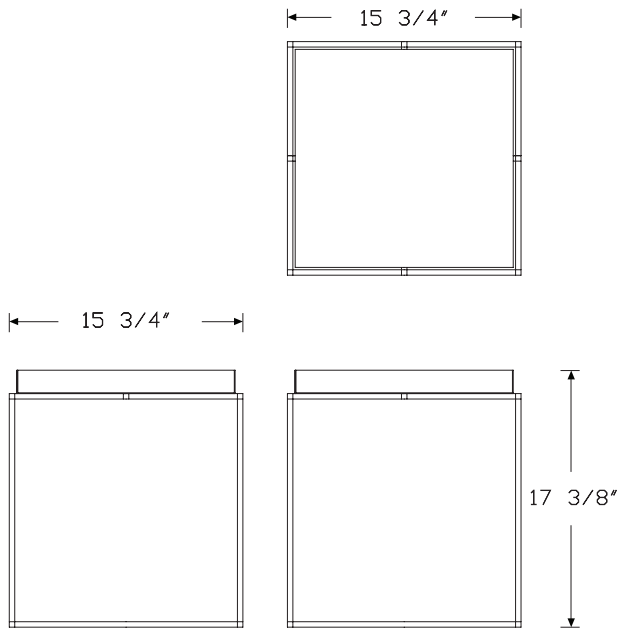
HAY Occasional Tables

**Product Information**

**Description**

This medium square table comes with a frame and removable tray top, both made of powder coated steel available in several colors.

**Dimensions**



**Specification Information**

**Step 1.**

**TTL**  A

**Step 2. Shape**

**SM** square, medium  A

**Step 3. Size**

**1617** 15.75" long x 15.75" wide x 17.32" high  A

**Prices for Steps 1-3.**

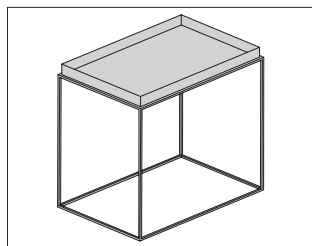
**TTLSM 1617** \$366

**Step 4. Finish**

- BPS** black powder coated steel  A +\$0
- WPS** white powder coated steel  A +\$0
- BUP** blue powder coated steel  A +\$0
- RPS** red powder coated steel  A +\$0
- WGP** warm grey powder coated steel  A +\$0

# Tray Table Rectangle, Large

TTLTL

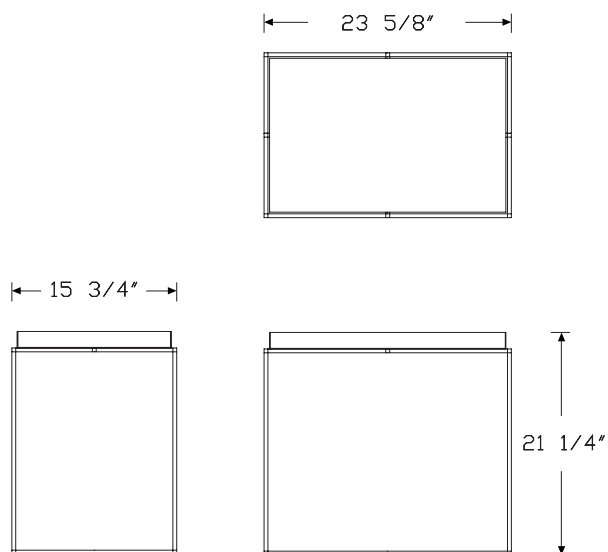


## Product Information

### Description

This large rectangular table comes with a frame and removable tray top, both made of powder coated steel available in several colors.

### Dimensions



## Specification Information

### Step 1.

**TTL**  A

### Step 2. Shape

**TL** rectangle, large  A

### Step 3. Size

**1624** 15.75" long x 23.62" wide x 21.26" high  A

### Prices for Steps 1-3.

**TTLTL 1624** \$415

### Step 4. Finish

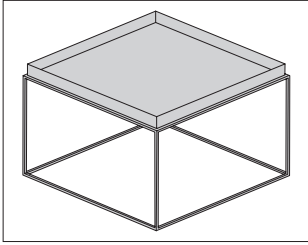
**BPS** black powder coated steel  A +\$0

**WPS** white powder coated steel  A +\$0

**WGP** warm grey powder coated steel  A +\$0

Tray Table Square, Coffee

TTLSC



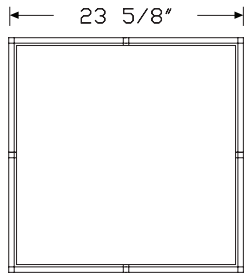
HAY Occasional Tables

**Product Information**

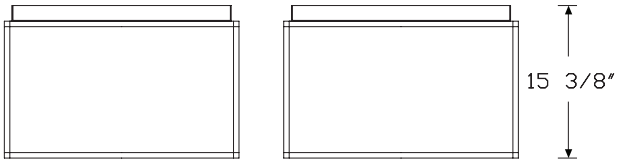
Description

This square coffee table comes with a frame and removable tray top, both made of powder coated steel available in several colors.

Dimensions



← 23 5/8" →



**Specification Information**

Step 1.

**TTL**  A

Step 2. Shape

**SC** square, coffee  A

Step 3. Size

**2415** 23.62" long x 23.62" wide x 15.35" high  A

Prices for Steps 1-3.

**TTLSC 2415** \$439

Step 4. Finish

**BPS** black powder coated steel  A +\$0

**WPS** white powder coated steel  A +\$0

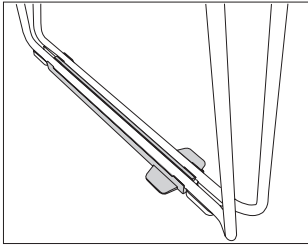
**WGP** warm grey powder coated steel  A +\$0

Floor Linking



# Floor Linking Connector (for use with HEE, AACo8 or AACo9)

HFLC

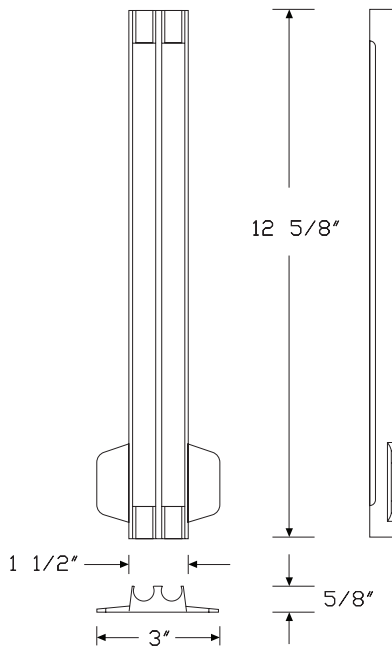


### Product Information

#### Description

The Floor Linking Connector is for use with the HEE, AACo8 or AACo9 chairs. It uses the bottom of the sled base to hold chairs together.

#### Dimensions



### Specification Information

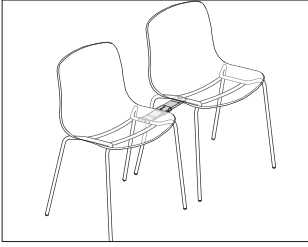
Step 1.

HFLC A

\$39

# Underseat Linking Connector (for use with AAC16, AAC17, AAC18 or AAC19)

HULC

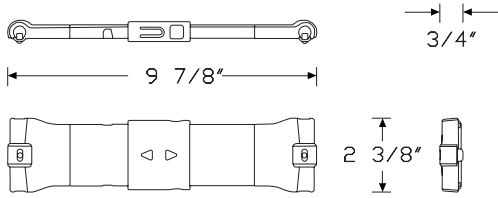


HAY Floor Linking

## Product Information

**Description**  
The Underseat Linking Connector is for use with AAC16, AAC17, AAC18 or AAC19 chairs. It attaches directly to the chair base below the seat.

## Dimensions



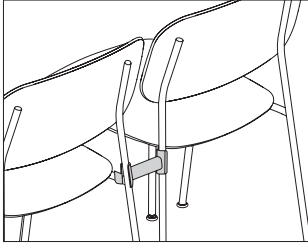
## Specification Information

**Step 1.**  
**HULC** A \$39



# Linking Device for SED10

HSLC

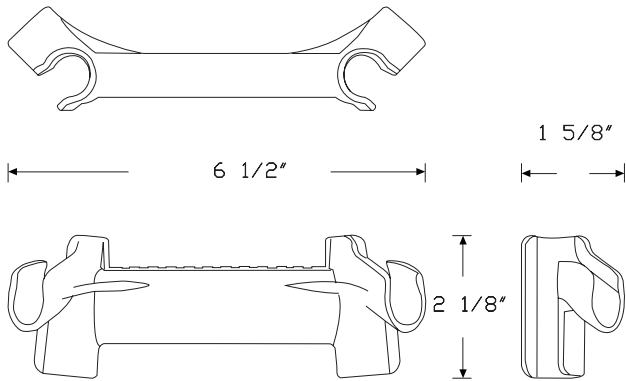


### Product Information

#### Description

The linking device for Soft Edge 10 attaches to the back of the metal part of the base. Only intended for use on the Soft Edge 10 chair.

#### Dimensions



### Specification Information

#### Step 1.

HSLC A

\$7



HEE

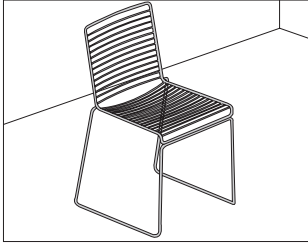
Palissade





# HEE Dining Chair

HEEDN

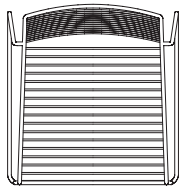


### Product Information

#### Description

This outdoor chair is constructed with solid steel bars in 11mm welded wire. The 2-component coating includes a primer and outdoor powder coating to provide a barrier against corrosive elements. Chair comes with pre-mounted glides.

#### Dimensions

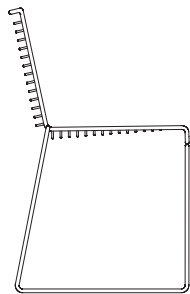


← 18 3/4" →

← 19 3/4" →



↑ 31 1/8" ↓



↑ 18 1/2" ↓

### Specification Information

#### Step 1.

**HEEDN**  A \$317

#### Step 2. Finish

**BPS** black powder coated steel  A +\$0

**WPS** white powder coated steel  A +\$0

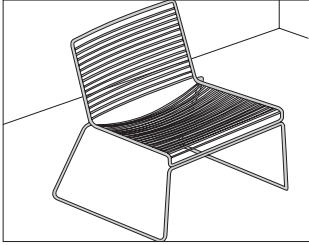
#### Step 3. Glide Option

**SDG** standard glides  A +\$0

HAY HEE

# HEE Lounge Chair

HEELN



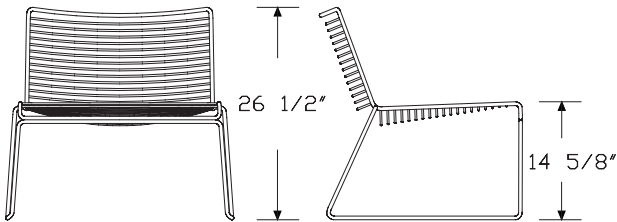
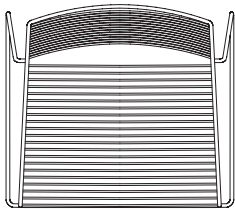
HAY HEE

## Product Information

### Description

This outdoor chair is constructed with solid steel bars in 11mm welded wire. The 2-component coating includes a primer and outdoor powder coating to provide a barrier against corrosive elements. Chair comes with pre-mounted glides.

### Dimensions



## Specification Information

### Step 1.

**HEELN**  A \$400

### Step 2. Finish

**BPS** black powder coated steel  A +\$0

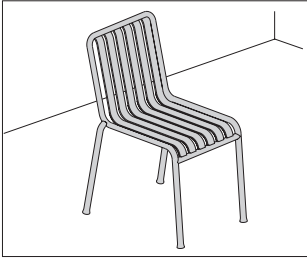
**WPS** white powder coated steel  A +\$0

### Step 3. Glide Option

**SDG** standard glides  A +\$0

Palissade Chair without Arms

PLCN

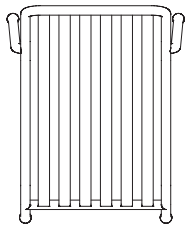


**Product Information**

**Description**

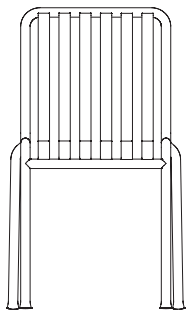
This outdoor chair has a welded tubular steel construction. The 2-component coating includes a primer and outdoor powder coating to provide a barrier against corrosive elements. Chair comes with plastic glides and a plastic stacking unit. Chair stacks up to 8 high.

**Dimensions**

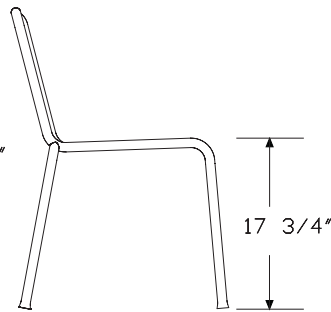


18 1/2"

22 1/8"



31 1/2"



17 3/4"

**Specification Information**

**Step 1.**

**PLCN**  A \$402

**Step 2. Finish**

**ANP** anthracite powder coated steel  A +\$0

**OPS** olive powder coated steel  A +\$0

**YPS** sky grey powder coated steel  A +\$0

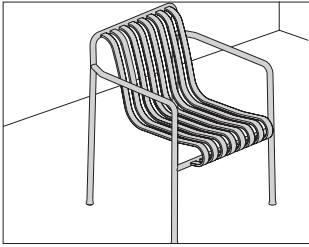
**Step 3. Glide Option**

**SDG** standard glides  A +\$0

HAY Palissade

# Palissade Dining Arm Chair

PLDCA



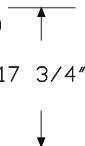
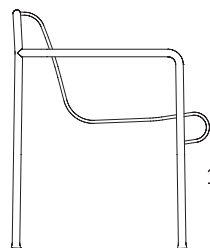
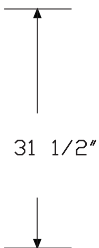
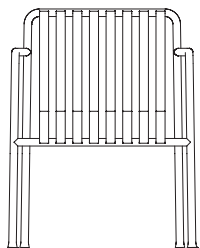
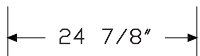
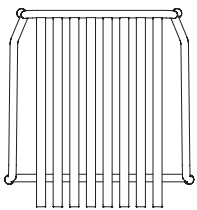
HAY Palissade

## Product Information

### Description

This outdoor arm chair has a welded tubular steel construction. The 2-component coating includes a primer and outdoor powder coating to provide a barrier against corrosive elements. Chair comes with plastic glides.

### Dimensions



## Specification Information

### Step 1.

**PLDCA**  A \$488

### Step 2. Finish

**ANP** anthracite powder coated steel  A +\$0

**OPS** olive powder coated steel  A +\$0

**YPS** sky grey powder coated steel  A +\$0

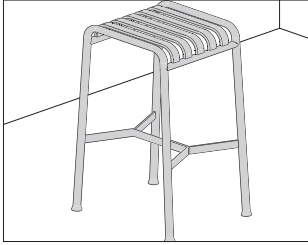
### Step 3. Glide Option

**SDG** standard glides  A +\$0



Palissade Bar Stool

PLBSN

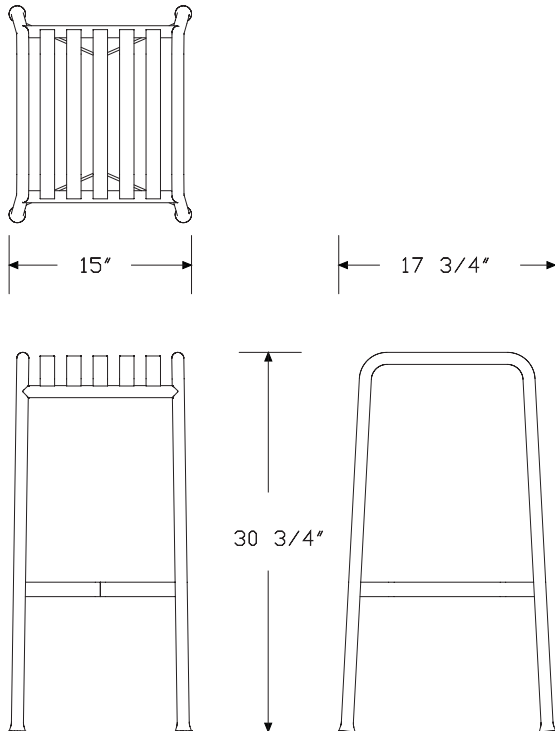


**Product Information**

**Description**

This outdoor bar stool has a welded tubular steel construction with flat steel bar reinforcement cross. The 2-component coating includes a primer and outdoor powder coating to provide a barrier against corrosive elements. Bar stool comes with plastic glides.

**Dimensions**



**Specification Information**

**Step 1.**

**PLBSN**  A \$488

**Step 2. Finish**

**ANP** anthracite powder coated steel  A +\$0

**OPS** olive powder coated steel  A +\$0

**YPS** sky grey powder coated steel  A +\$0

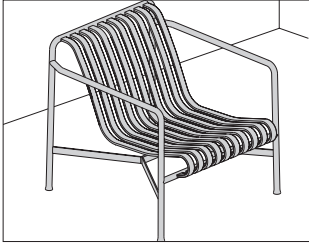
**Step 3. Glide Option**

**SDG** standard glides  A +\$0

HAY Palissade

Palissade Lounge Chair, Low

PLLCA



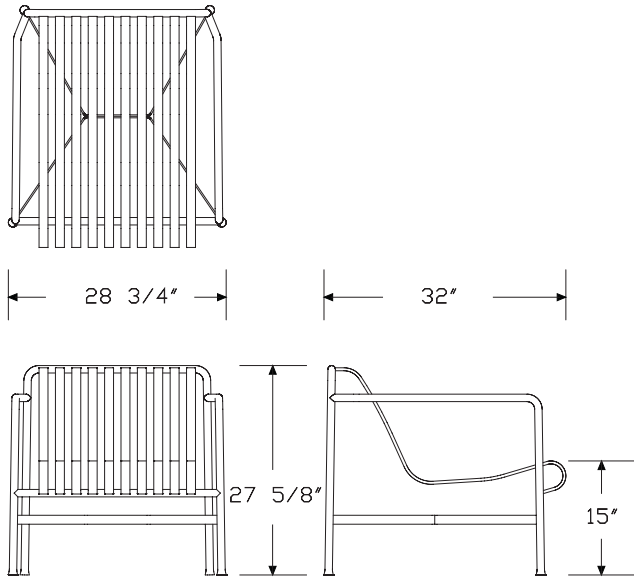
HAY Palissade

**Product Information**

**Description**

This outdoor lounge chair has a welded tubular steel construction with flat steel bar reinforcement cross. The 2-component coating includes a primer and outdoor powder coating to provide a barrier against corrosive elements. Lounge chair comes with plastic glides.

**Dimensions**



**Specification Information**

**Step 1.**

**PLLCAL** [A] \$646

**Step 2. Finish**

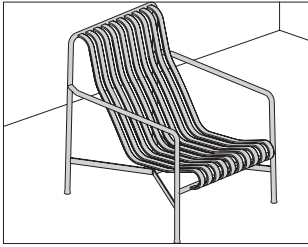
**ANP** anthracite powder coated steel [A] +\$0  
**OPS** olive powder coated steel [A] +\$0  
**YPS** sky grey powder coated steel [A] +\$0

**Step 3. Glide Option**

**SDG** standard glides [A] +\$0

# Palissade Lounge Chair, High

PLLCA

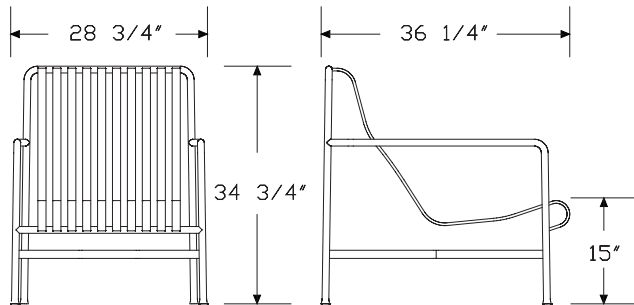
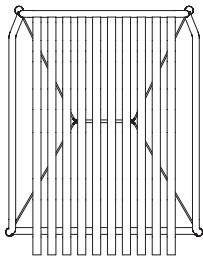


### Product Information

#### Description

This outdoor lounge chair has a welded tubular steel construction with flat steel bar reinforcement cross. The 2-component coating includes a primer and outdoor powder coating to provide a barrier against corrosive elements. Lounge chair comes with plastic glides.

#### Dimensions



### Specification Information

#### Step 1.

**PLLCAH**  A \$732

#### Step 2. Finish

**ANP** anthracite powder coated steel  A +\$0

**OPS** olive powder coated steel  A +\$0

**YPS** sky grey powder coated steel  A +\$0

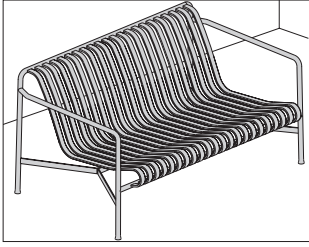
#### Step 3. Glide Option

**SDG** standard glides  A +\$0

HAY Palissade

Palissade Lounge Sofa

PLLSA



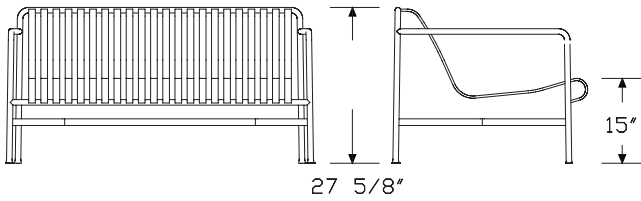
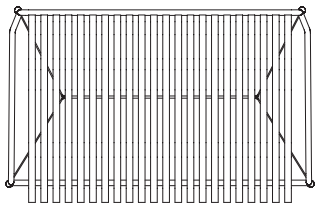
HAY Palissade

**Product Information**

Description

This outdoor sofa has a welded tubular steel construction with flat steel bar reinforcement cross. The 2-component coating includes a primer and outdoor powder coating to provide a barrier against corrosive elements. Sofa comes with plastic glides.

Dimensions



**Specification Information**

Step 1.

**PLLSA** [A] \$1300

Step 2. Finish

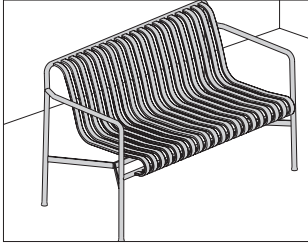
**ANP** anthracite powder coated steel [A] +\$0  
**OPS** olive powder coated steel [A] +\$0  
**YPS** sky grey powder coated steel [A] +\$0

Step 3. Glide Option

**SDG** standard glides [A] +\$0

# Palissade Dining Bench

PLDBA

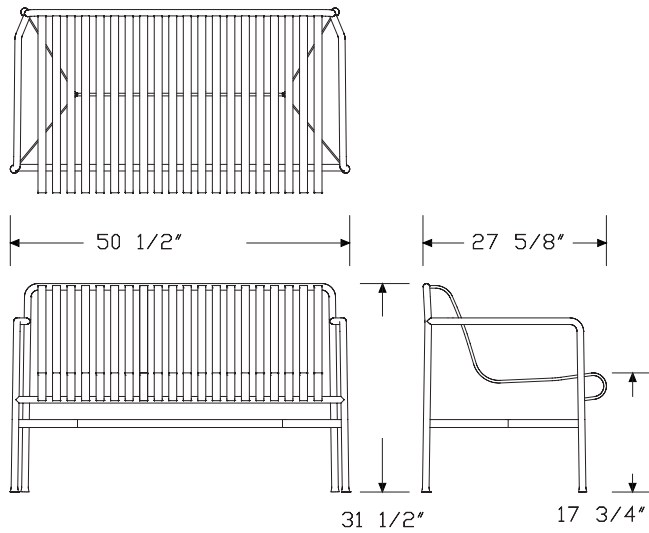


### Product Information

#### Description

This outdoor bench has a welded tubular steel construction. The 2-component coating includes a primer and outdoor powder coating to provide a barrier against corrosive elements. Bench comes with plastic glides.

#### Dimensions



### Specification Information

#### Step 1.

**PLDBA**  A \$805

#### Step 2. Finish

**ANP** anthracite powder coated steel  A +\$0

**OPS** olive powder coated steel  A +\$0

**YPS** sky grey powder coated steel  A +\$0

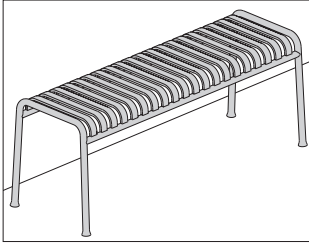
#### Step 3. Glide Option

**SDG** standard glides  A +\$0

HAY Palissade

# Palissade Bench

PLBN



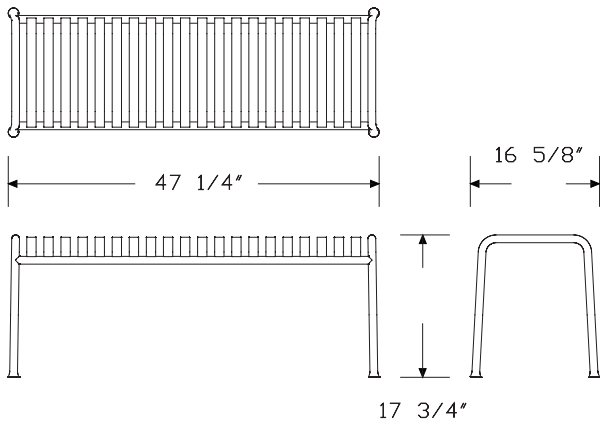
HAY Palissade

### Product Information

#### Description

This outdoor bench has a welded tubular steel construction. The 2-component coating includes a primer and outdoor powder coating to provide a barrier against corrosive elements. Bench comes with plastic glides.

#### Dimensions



### Specification Information

#### Step 1.

**PLBN**  A \$646

#### Step 2. Finish

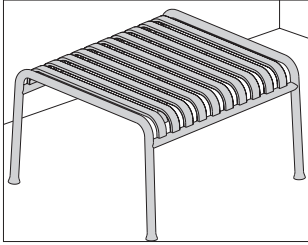
**ANP** anthracite powder coated steel  A +\$0  
**OPS** olive powder coated steel  A +\$0  
**YPS** sky grey powder coated steel  A +\$0

#### Step 3. Glide Option

**SDG** standard glides  A +\$0

Palissade Ottoman

PLON

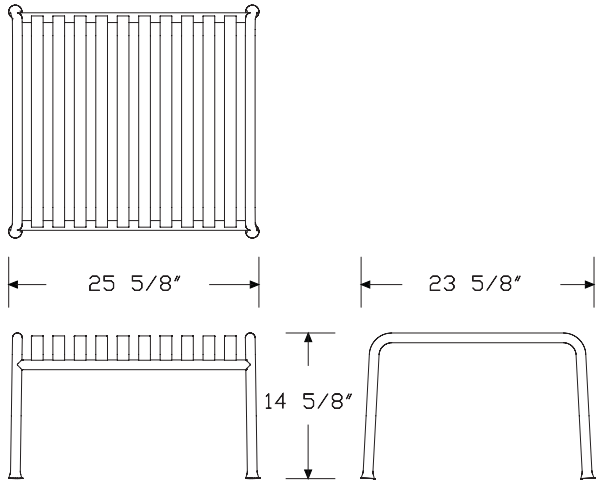


**Product Information**

**Description**

This outdoor ottoman has a welded tubular steel construction. The 2-component coating includes a primer and outdoor powder coating to provide a barrier against corrosive elements. Ottoman comes with plastic glides.

**Dimensions**



**Specification Information**

Step 1.

**PLON**  A \$488

Step 2. Finish

**ANP** anthracite powder coated steel  A +\$0

**OPS** olive powder coated steel  A +\$0

**YPS** sky grey powder coated steel  A +\$0

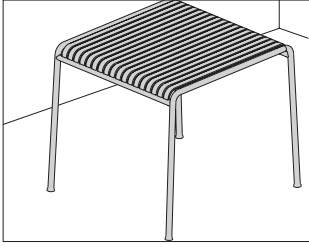
Step 3. Glide Option

**SDG** standard glides  A +\$0

HAY Palissade

# Palissade Table, Square

PLTS3



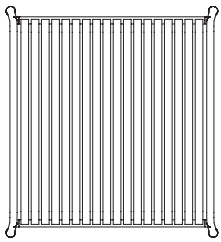
HAY Palissade

## Product Information

### Description

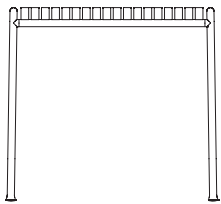
This outdoor table has a welded tubular steel construction. The 2-component coating includes a primer and outdoor powder coating to provide a barrier against corrosive elements. Table comes with plastic glides.

### Dimensions

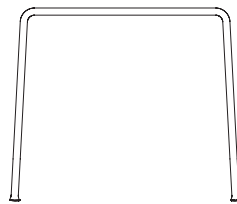


32 1/2"

35 1/2"



29 1/2"



## Specification Information

### Step 1.

PLTS  A

### Step 2. Size

3230 32.48" long x 35.43" wide x 29.53" high  A

### Prices for Steps 1-2.

PLTS3230 \$646

### Step 3. Finish

ANP anthracite powder coated steel  A +\$0

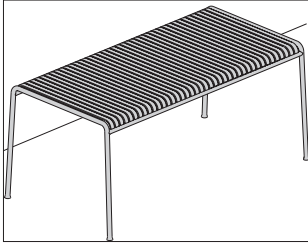
OPS olive powder coated steel  A +\$0

YPS sky grey powder coated steel  A +\$0



Palissade Table, Rectangle

PLTT6

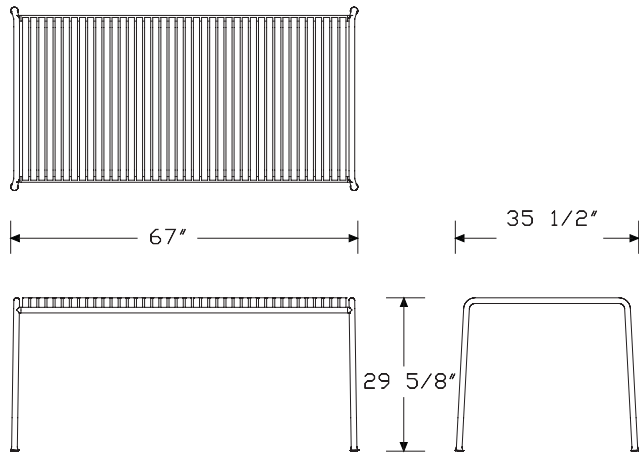


**Product Information**

Description

This outdoor table has a welded tubular steel construction. The 2-component coating includes a primer and outdoor powder coating to provide a barrier against corrosive elements. Table comes with plastic glides.

Dimensions



**Specification Information**

Step 1.

**PLTT** A

Step 2. Size

**6730** 66.93" long x 35.43" wide x 29.53" high A

Prices for Steps 1-2.

**PLTT6730** \$1300

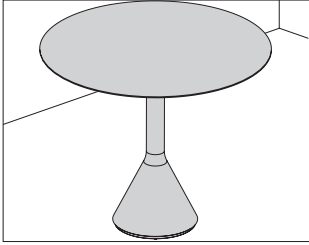
Step 3. Finish

- ANP** anthracite powder coated steel A + \$0
- OPS** olive powder coated steel A + \$0
- YPS** sky grey powder coated steel A + \$0

HAY Palissade

Palissade Cone Table, Round

PLCTR

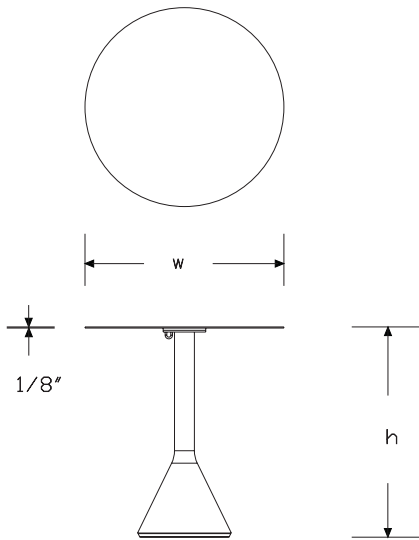


HAY Palissade

**Product Information**

**Description**  
 This outdoor table has a spun base with an internal concrete stabilizer. Column and 4mm-thick top are powder coated steel.

**Dimensions**



**Specification Information**

**Step 1.**

**PLCTR** A

**Step 2. Size**

**2829** 27.56" diameter x 29.13" high A

**Prices for Steps 1-2.**

**PLCTR 2829** \$646

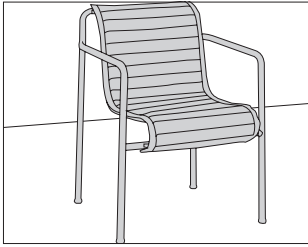
**Step 3. Finish**

**ANP** anthracite powder coated steel A + \$0

**OPS** olive powder coated steel A + \$0

Palissade Dining Arm Chair,  
Quilted Cushion

PLDCC

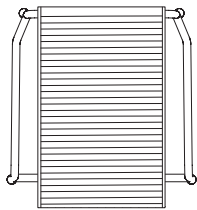


**Product Information**

**Description**

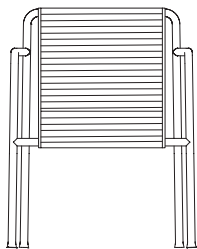
This quilted cushion has an anti-slip bottom and fastens with strings at the top and hook-and-pile fastener at the bottom. Fabric is coated for a water-resistant finish.

**Dimensions**

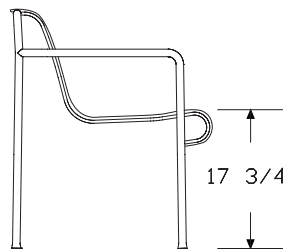


24 7/8"

26"



31 1/2"



17 3/4"

**Specification Information**

**Step 1.**

PLDC  A

**Step 2. Material Type**

CQ cushion, quilted  A

**Prices for Steps 1-2.**

PLDCCQ \$122

**Step 3. Finish**

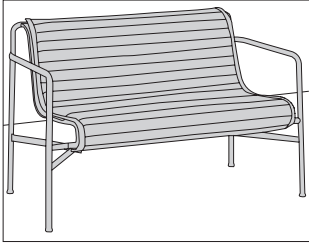
ANF anthracite  A +\$0

OLF olive  A +\$0

SGF sky grey  A +\$0

HAY Palissade

Palissade Dining Bench, Quilted PLDBC  
Cushion



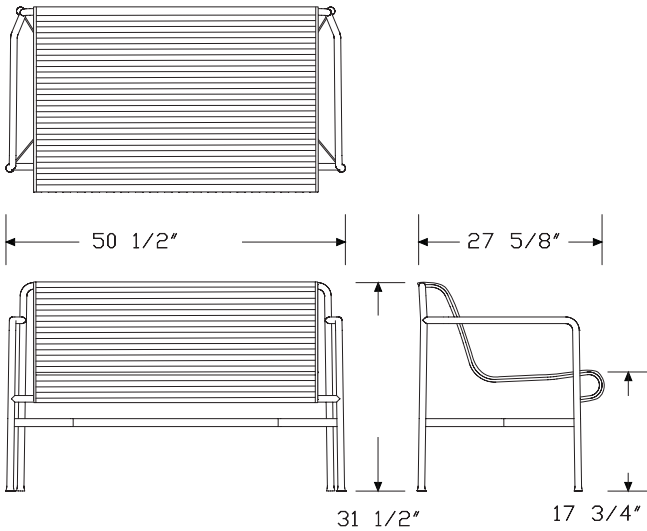
HAY Palissade

**Product Information**

**Description**

This quilted cushion has an anti-slip bottom and fastens with strings at the top and hook-and-pile fastener at the bottom. Fabric is coated for a water-resistant finish.

**Dimensions**



**Specification Information**

**Step 1.**

**PLDB**  A

**Step 2. Material Type**

**CQ** cushion, quilted  A

**Prices for Steps 1-2.**

**PLDBCQ** \$207

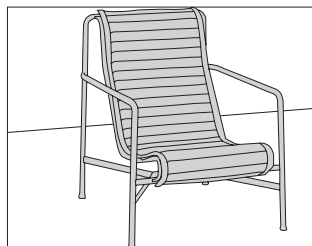
**Step 3. Finish**

**ANF** anthracite  A +\$0

**OLF** olive  A +\$0

**SGF** sky grey  A +\$0

Palissade High Lounge Chair, PLLCH  
Quilted Cushion

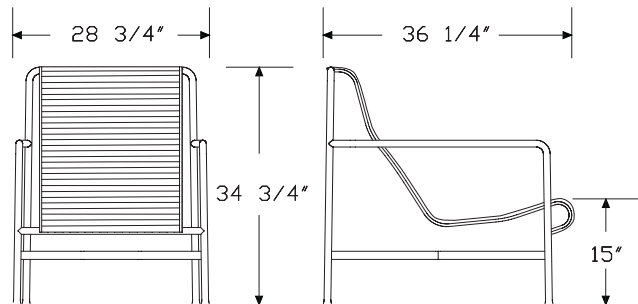
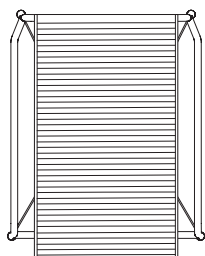


**Product Information**

**Description**

This quilted cushion has an anti-slip bottom and fastens with strings at the top and hook-and-pile fastener at the bottom. Fabric is coated for a water-resistant finish.

**Dimensions**



**Specification Information**

**Step 1.**

**PLLCH**  A

**Step 2. Material Type**

**CQ** cushion, quilted  A

**Prices for Steps 1-2.**

**PLLCH CQ** \$207

**Step 3. Finish**

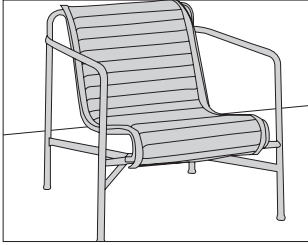
**ANF** anthracite  A +\$0

**OLF** olive  A +\$0

**SGF** sky grey  A +\$0

Palissade Low Lounge Chair,  
Quilted Cushion

PLLCL



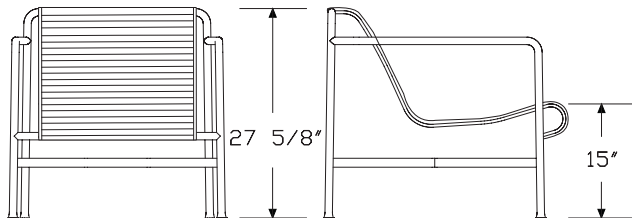
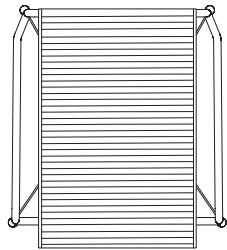
HAY Palissade

**Product Information**

Description

This quilted cushion has an anti-slip bottom and fastens with strings at the top and hook-and-pile fastener at the bottom. Fabric is coated for a water-resistant finish.

Dimensions



**Specification Information**

Step 1.

PLLCL  A

Step 2. Material Type

CQ cushion, quilted  A

Prices for Steps 1-2.

PLLCL CQ \$122

Step 3. Finish

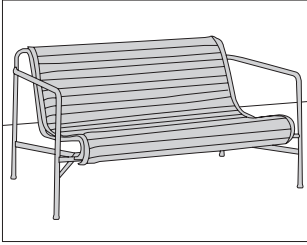
ANF anthracite  A +\$0

OLF olive  A +\$0

SGF sky grey  A +\$0

Palissade Lounge Sofa, Quilted  
Cushion

PLLSC

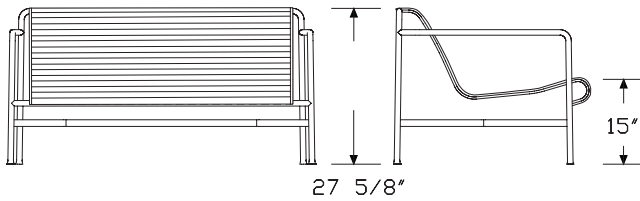
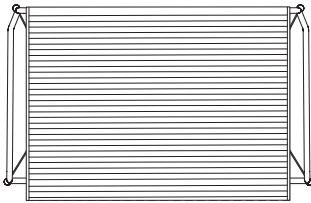


**Product Information**

Description

This quilted cushion has an anti-slip bottom and fastens with strings at the top and hook-and-pile fastener at the bottom. Fabric is coated for a water-resistant finish.

Dimensions



**Specification Information**

Step 1.

PLLS  A

Step 2. Material Type

CQ cushion, quilted  A

Prices for Steps 1-2.

PLLSCQ \$207

Step 3. Finish

ANF anthracite  A +\$0

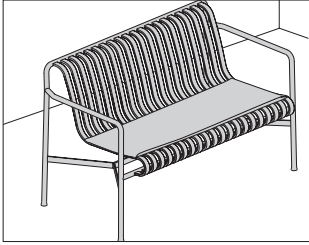
OLF olive  A +\$0

SGF sky grey  A +\$0

HAY Palissade

Palissade Dining Bench,  
Non-Quilted Seat Cushion

PLDBS



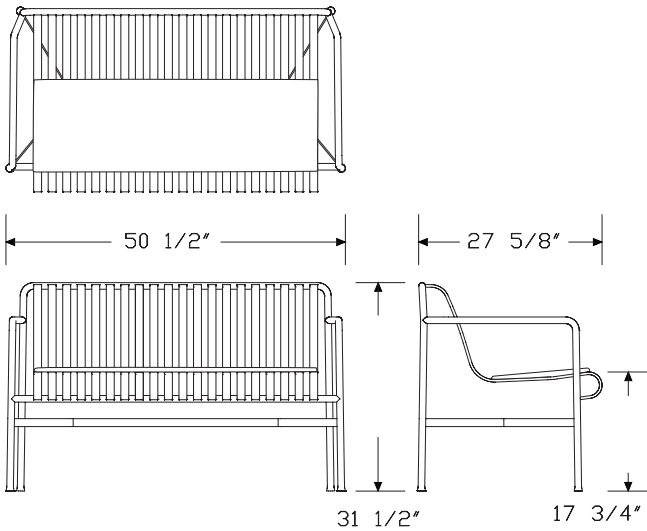
HAY Palissade

**Product Information**

**Description**

This cushion has an anti-slip bottom and fastens with strings at the top and hook-and-pile fastener at the bottom. Fabric is coated for a water-resistant finish.

**Dimensions**



**Specification Information**

**Step 1.**

**PLDB**

**Step 2. Material Type**

**SCN** seat cushion, non-quilted

**Prices for Steps 1-2.**

**PLDBSCN** \$207

**Step 3. Finish**

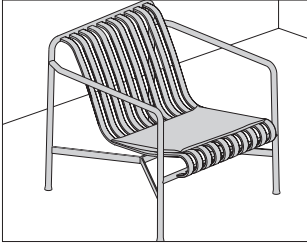
**ANF** anthracite  +\$0

**OLF** olive  +\$0

**SGF** sky grey  +\$0



Palissade Lounge Chair, Low and High Height, Non-Quilted Seat Cushion PLLCS

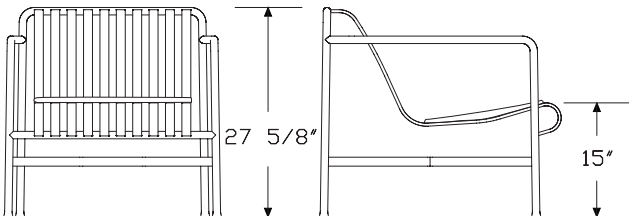
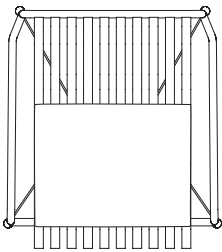


**Product Information**

**Description**

This cushion has an anti-slip bottom and fastens with strings at the top and hook-and-pile fastener at the bottom. Fabric is coated for a water-resistant finish.

**Dimensions**



**Specification Information**

**Step 1.**

**PLLC**  A

**Step 2. Material Type**

**SCN** seat cushion, non-quilted  A

**Prices for Steps 1-2.**

**PLLCSCN** \$122

**Step 3. Finish**

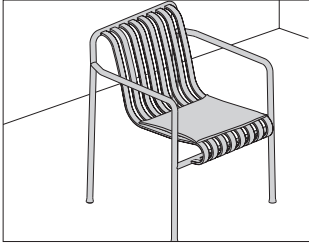
**ANF** anthracite  A +\$0

**OLF** olive  A +\$0

**SGF** sky grey  A +\$0

Palissade Dining Arm Chair,  
Non-Quilted Seat Cushion

PLDCS



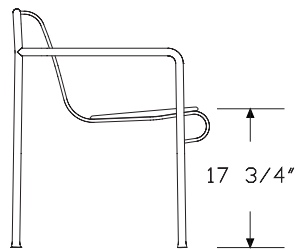
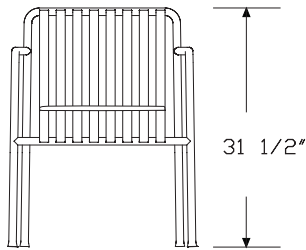
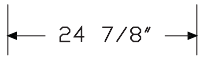
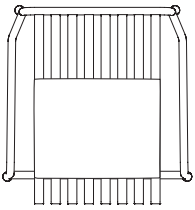
HAY Palissade

**Product Information**

**Description**

This cushion has an anti-slip bottom and fastens with strings at the top and hook-and-pile fastener at the bottom. Fabric is coated for a water-resistant finish.

**Dimensions**



**Specification Information**

**Step 1.**

**PLDC**  A

**Step 2. Material Type**

**SCN** seat cushion, non-quilted  A

**Prices for Steps 1-2.**

**PLDCSCN** \$122

**Step 3. Finish**

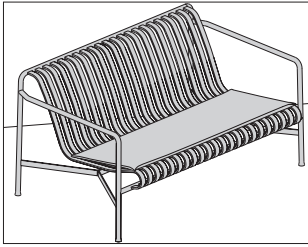
**ANF** anthracite  A +\$0

**OLF** olive  A +\$0

**SGF** sky grey  A +\$0

Palissade Lounge Sofa,  
Non-Quilted Seat Cushion

PLLSS

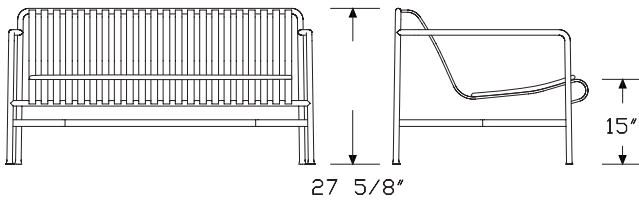
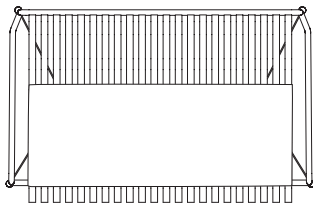


**Product Information**

Description

This cushion has an anti-slip bottom and fastens with strings at the top and hook-and-pile fastener at the bottom. Fabric is coated for a water-resistant finish.

Dimensions



**Specification Information**

Step 1.

PLLS  A

Step 2. Material Type

SCN seat cushion, non-quilted  A

Prices for Steps 1-2.

PLLSSCN \$207

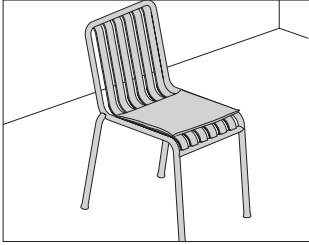
Step 3. Finish

ANF anthracite  A +\$0

OLF olive  A +\$0

SGF sky grey  A +\$0

Palissade Chair and Arm Chair, PLDAC  
Non-Quilted Seat Cushion



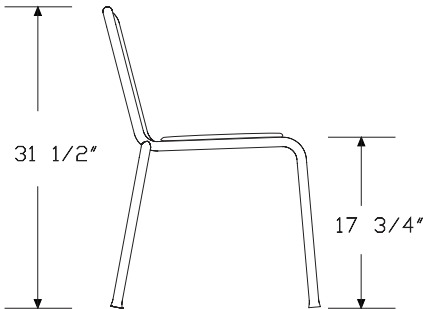
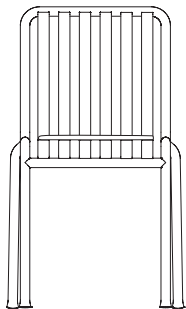
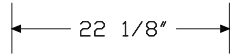
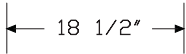
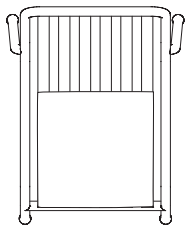
HAY Palissade

**Product Information**

**Description**

This cushion has an anti-slip bottom and fastens with strings at the top and hook-and-pile fastener at the bottom. Fabric is coated for a water-resistant finish.

**Dimensions**



**Specification Information**

**Step 1.**

**PLDAC** [A]

**Step 2. Material Type**

**SCN** seat cushion, non-quilted [A]

**Prices for Steps 1-2.**

**PLDAC SCN** \$122

**Step 3. Finish**

**ANF** anthracite [A] +\$0

**OLF** olive [A] +\$0

**SGF** sky grey [A] +\$0

## Index by Product Name

### HAY Accessories

Floor Linking Connector (for use with HEE, AACo8 or AACo9)	page(s) 135
Linking Device for SED10	137
Underseat Linking Connector (for use with AAC16, AAC17, AAC18 or AAC19)	136

### HAY Chairs & Stools

13Eighty Chair with 4-Leg Metal Base, Armless	page(s) 82
13Eighty Chair with 4-Leg Metal Base, with Arms	83
About A Chair o8, Sled Base, Armless	57
About A Chair o9, Sled Base, Armless, Fully Upholstered	59
About A Chair 10, 4-Star Glides, Armless	49
About A Chair 11, 4-Star Glides, Armless, Fully Upholstered	51
About A Chair 12, Wood 4-Leg Base, Armless	60
About A Chair 13, Wood 4-Leg Base, Armless, Fully Upholstered	62
About A Chair 14, 4-Star Casters, Armless	47
About A Chair 15, 4-Star Casters, Armless, Fully Upholstered	48
About A Chair 16, Metal 4-Leg Base, Armless	54
About A Chair 17, Metal 4-Leg Base, Armless, Fully Upholstered	56
About A Chair 18, - Metal 4-Leg Base, With Arms	79
About A Chair 19, Metal 4-Leg Base, With Arms, Fully Upholstered	81
About A Chair 20, 4-Star, Glides, Armrest	73, 71
About A Chair 22, 4-Leg, Molded Wood Base, Armrest	66
About A Chair 23, 4-Leg, Molded Wood Base, Armrest, Fully Upholstered	68
About A Chair 24, 4-Star, Casters, Armrest	69
About A Chair 25, 4-Star, Casters, Armrest, Fully Upholstered	70
About A Chair 26, Metal 4-Leg Base, Armrest	76
About A Chair 27, Metal 4-Leg Base, Armrest, Fully Upholstered	78
About A Chair 42, 4-Leg Low, Molded Wood Base, Armrest	63
About A Chair 43, 4-Leg Low, Molded Wood Base, Armrest, Fully Upholstered	65
About A Chair 50, 5-Star Swivel, Armless	52
About A Chair 51, 5-Star Swivel, Armless, Fully Upholstered	53
About A Chair 52, 5-Star Swivel, Armrest	74
About A Chair 53, 5-Star Swivel, Armrest, Fully Upholstered	75
About A Chair 121, 4-Star Glides, Fully Upholstered	106
About A Chair 121 Soft, 4-Star Glides, Fully Upholstered	107
About A Chair 123 Soft, Wood 4-Leg Base, Fully Upholstered	113
About A Chair 123, Wood 4-Leg Base, Fully Upholstered	112
About A Chair 127, Metal 4-Leg Base, Fully Upholstered	110
About A Chair 127 Soft, Metal 4-Leg Base, Fully Upholstered	111
About A Chair 153, 5-Star Swivel, Fully Upholstered	108
About A Chair 153 Soft, 5-Star Swivel, Fully Upholstered	109
About A Stool Metal Base, High Height with Full Upholstery	101
About A Stool Metal Base, High Height with Optional Front Upholstery	100

About A Stool Metal Base, Low Height with Full Upholstery	99
About A Stool Metal Base, Low Height with Optional Front Upholstery	98
About A Stool Wood Base, High Height with Full Upholstery	97
About A Stool Wood Base, High Height with Optional Front Upholstery	95
About A Stool Wood Base, Low Height with Full Upholstery	94
About A Stool Wood Base, Low Height with Optional Front Upholstery	92
Elementaire Chair, without Arms	84
HEE Bar Stool High	102
Result Chair with Metal Legs	85
Revolver Bar Stool High with Footrest	104
Revolver Bar Stool Low with Footrest	103
Revolver Stool	105
Soft Edge Non-Upholstered 4-Leg Metal Base Chair with Molded Oak Veneer Shell	86
Soft Edge Non-Upholstered 4-Leg Wood Base Chair with Linking and Molded Oak Veneer Shell	88
Soft Edge Non-Upholstered 4-Leg Wood Base Chair with Molded Oak Veneer Shell	87
Soft Edge Upholstered 4-Leg Metal Base Chair	89
Soft Edge Upholstered 4-Leg Wood Base Chair	90

### HAY Outdoor

HEE Dining Chair	page(s) 141
HEE Lounge Chair	142
Palissade Bar Stool	145
Palissade Bench	150
Palissade Chair and Arm Chair, Non-Quilted Seat Cushion	164
Palissade Chair without Arms	143
Palissade Cone Table, Round	154
Palissade Dining Arm Chair	144
Palissade Dining Arm Chair, Non-Quilted Seat Cushion	162
Palissade Dining Arm Chair, Quilted Cushion	155
Palissade Dining Bench	149
Palissade Dining Bench, Non-Quilted Seat Cushion	160
Palissade Dining Bench, Quilted Cushion	156
Palissade High Lounge Chair, Quilted Cushion	157
Palissade Lounge Chair, High	147
Palissade Lounge Chair, Low	146
Palissade Lounge Chair, Low and High Height, Non-Quilted Seat Cushion	161
Palissade Lounge Sofa	148
Palissade Lounge Sofa, Non-Quilted Seat Cushion	163
Palissade Lounge Sofa, Quilted Cushion	159
Palissade Low Lounge Chair, Quilted Cushion	158
Palissade Ottoman	151

## Index by Product Name *continued*

Index: Product Name

Palissade Table, Rectangle	153
Palissade Table, Square	152
<b>HAY Soft Seating</b>	
About A Lounge High Back 4-Leg Solid Wood Base	page(s) 10
About A Lounge High Back 4-Leg Wood Base	11
About A Lounge High Back 4-Star Swivel Base	9
About A Lounge Low Back 4-Leg Solid Wood Base	7
About A Lounge Low Back 4-Leg Wood Base	8
About A Lounge Low Back 4-Star Swivel Base	6
About A Lounge Ottoman with 4-Leg Solid Wood Base	5
About A Lounge Sofa 4-Leg Solid Wood Base, with Armrest and Full Upholstery	16
Can Seating, 1 Seat	17
Can Seating, 2 Seat	18
Can Seating, 3 Seat	19
Dapper Lounge without Arms	12
Hackney Seating, 2 Seat	20
Hackney Seating, 3 Seat	21
Mags Lounge Seating Corner Unit, Left End	26
Mags Lounge Seating Corner Unit, Right End	25
Mags Lounge Seating Cushion, Narrow	38
Mags Lounge Seating Cushion, Wide	39
Mags Lounge Seating Lounge Straight Unit, Left End	35
Mags Lounge Seating Lounge Straight Unit, Right End	34
Mags Lounge Seating Narrow Short Chaise Lounge Unit, Left End	31
Mags Lounge Seating Narrow Short Chaise Lounge Unit, Right End	30
Mags Lounge Seating Narrow Straight Unit, Left End	23
Mags Lounge Seating Narrow Straight Unit, Middle	24
Mags Lounge Seating Narrow Straight Unit, Right End	22
Mags Lounge Seating Ottoman, Extra Small	36
Mags Lounge Seating Ottoman, Small	37
Mags Lounge Seating Wide Short Chaise Lounge Unit, Left End	33
Mags Lounge Seating Wide Short Chaise Lounge Unit, Right End	32
Mags Lounge Seating Wide Straight Unit, Left End	28
Mags Lounge Seating Wide Straight Unit, Middle	29
Mags Lounge Seating Wide Straight Unit, Right End	27
Silhouette Sofa, 2 Seat, High Back	42
Silhouette Sofa, 2 Seat, Low Back	40
Silhouette Sofa, 3 Seat, High Back	43
Silhouette Sofa, 3 Seat, Low Back	41
Uchiwa Lounge with 4-Leg Solid Wood Base and Non-Quilted Full Upholstery	13
Uchiwa Lounge with 4-Leg Solid Wood Base and Quilted Full Upholstery	15
Uchiwa Ottoman with 4-Leg Solid Wood Base and Non-Quilted Full Upholstery	14
<b>HAY Tables</b>	

Bella Coffee Table	page(s) 117
Copenhagen Table, Rectangle, with Slanted Legs	119
Copenhagen Table, Round with 3 Legs	121
Don't Leave Me Table Round	123
Don't Leave Me Table Round, Extra Large	124
Slit Table Hexagon	125
Slit Table Oblong	127
Slit Table Round	126
Slit Table Round, Extra Large	128
Tray Table Rectangle, Large	131
Tray Table Square, Coffee	132
Tray Table Square, Medium	130
Tray Table Square, Small	129

# Index by Product Number

1380M	13Eighty Chair with 4-Leg Metal Base, Armless	page(s) 82
1380M	13Eighty Chair with 4-Leg Metal Base, with Arms	83
AAC08	About A Chair 08, Sled Base, Armless	57
AAC09	About A Chair 09, Sled Base, Armless, Fully Upholstered	59
AAC10	About A Chair 10, 4-Star Glides, Armless	49
AAC11	About A Chair 11, 4-Star Glides, Armless, Fully Upholstered	51
AAC12	About A Chair 12, Wood 4-Leg Base, Armless	60
AAC12	About A Chair 121, 4-Star Glides, Fully Upholstered	106
AAC12	About A Chair 121 Soft, 4-Star Glides, Fully Upholstered	107
AAC12	About A Chair 123 Soft, Wood 4-Leg Base, Fully Upholstered	113
AAC12	About A Chair 123, Wood 4-Leg Base, Fully Upholstered	112
AAC12	About A Chair 127, Metal 4-Leg Base, Fully Upholstered	110
AAC12	About A Chair 127 Soft, Metal 4-Leg Base, Fully Upholstered	111
AAC13	About A Chair 13, Wood 4-Leg Base, Armless, Fully Upholstered	62
AAC14	About A Chair 14, 4-Star Casters, Armless	47
AAC15	About A Chair 15, 4-Star Casters, Armless, Fully Upholstered	48
AAC15	About A Chair 153, 5-Star Swivel, Fully Upholstered	108
AAC15	About A Chair 153 Soft, 5-Star Swivel, Fully Upholstered	109
AAC16	About A Chair 16, Metal 4-Leg Base, Armless	54
AAC17	About A Chair 17, Metal 4-Leg Base, Armless, Fully Upholstered	56
AAC18	About A Chair 18, - Metal 4-Leg Base, With Arms	79
AAC19	About A Chair 19, Metal 4-Leg Base, With Arms, Fully Upholstered	81
AAC20	About A Chair 20, 4-Star, Glides, Armrest	71
AAC21	About A Chair 20, 4-Star, Glides, Armrest	73
AAC22	About A Chair 22, 4-Leg, Molded Wood Base, Armrest	66
AAC23	About A Chair 23, 4-Leg, Molded Wood Base, Armrest, Fully Upholstered	68
AAC24	About A Chair 24, 4-Star, Casters, Armrest	69
AAC25	About A Chair 25, 4-Star, Casters, Armrest, Fully Upholstered	70
AAC26	About A Chair 26, Metal 4-Leg Base, Armrest	76
AAC27	About A Chair 27, Metal 4-Leg Base, Armrest, Fully Upholstered	78
AAC42	About A Chair 42, 4-Leg Low, Molded Wood Base, Armrest	63
AAC43	About A Chair 43, 4-Leg Low, Molded Wood Base, Armrest, Fully Upholstered	65
AAC50	About A Chair 50, 5-Star Swivel, Armless	52
AAC51	About A Chair 51, 5-Star Swivel, Armless, Fully Upholstered	53
AAC52	About A Chair 52, 5-Star Swivel, Armrest	74
AAC53	About A Chair 53, 5-Star Swivel, Armrest, Fully Upholstered	75
AAL03	About A Lounge Ottoman with 4-Leg Solid Wood Base	5
AAL81	About A Lounge Low Back 4-Star Swivel Base	6
AAL82	About A Lounge Low Back 4-Leg Solid Wood Base	7
AAL83	About A Lounge Low Back 4-Leg Wood Base	8
AAL91	About A Lounge High Back 4-Star Swivel Base	9
AAL92	About A Lounge High Back 4-Leg Solid Wood Base	10
AAL93	About A Lounge High Back 4-Leg Wood Base	11
AALSO	About A Lounge Sofa 4-Leg Solid Wood Base, with Armrest and Full Upholstery	16
AAS32	About A Stool Wood Base, High Height with Optional Front Upholstery	95
AAS32	About A Stool Wood Base, Low Height with Optional Front Upholstery	92
AAS33	About A Stool Wood Base, High Height with Full Upholstery	97
AAS33	About A Stool Wood Base, Low Height with Full Upholstery	94
AAS38	About A Stool Metal Base, High Height with Optional Front Upholstery	100
AAS38	About A Stool Metal Base, Low Height with Optional Front Upholstery	98
AAS39	About A Stool Metal Base, High Height with Full Upholstery	101
AAS39	About A Stool Metal Base, Low Height with Full Upholstery	99
BELR1	Bella Coffee Table	117
BELR2		
CPH20	Copenhagen Table, Round with 3 Legs	121
CPH30	Copenhagen Table, Rectangle, with Slanted Legs	119
DLMR1	Don't Leave Me Table Round	123
DLMRX	Don't Leave Me Table Round, Extra Large	124
HCAN1	Can Seating, 1 Seat	17
HCAN2	Can Seating, 2 Seat	18
HCAN3	Can Seating, 3 Seat	19
HCK2	Hackney Seating, 2 Seat	20
HCK3	Hackney Seating, 3 Seat	21
HDP01	Dapper Lounge without Arms	12
HEC01	Elementaire Chair, without Arms	84
HEEBS	HEE Bar Stool High	102
HEEDN	HEE Dining Chair	141
HEELN	HEE Lounge Chair	142
HFLC	Floor Linking Connector (for use with HEE, AAC08 or AAC09)	135
HSLC	Linking Device for SED10	137
HSS21	Silhouette Sofa, 2 Seat, Low Back	40
HSS31	Silhouette Sofa, 3 Seat, Low Back	41
HSSH2	Silhouette Sofa, 2 Seat, High Back	42
HSSH3	Silhouette Sofa, 3 Seat, High Back	43
HULC	Underseat Linking Connector (for use with AAC16, AAC17, AAC18 or AAC19)	136
MAG50	Mags Lounge Seating Ottoman, Extra Small	36

Index by Product Number *continued*

Index: Product Number

MAGS0	Mags Lounge Seating Ottoman, Small	37
MAGS1	Mags Lounge Seating Corner Unit, Left End	26
MAGS1	Mags Lounge Seating Corner Unit, Right End	25
MAGS1	Mags Lounge Seating Cushion, Wide	39
MAGS1	Mags Lounge Seating Narrow Straight Unit, Left End	23
MAGS1	Mags Lounge Seating Narrow Straight Unit, Middle	24
MAGS1	Mags Lounge Seating Narrow Straight Unit, Right End	22
MAGS1	Mags Lounge Seating Wide Straight Unit, Left End	28
MAGS1	Mags Lounge Seating Wide Straight Unit, Middle	29
MAGS1	Mags Lounge Seating Wide Straight Unit, Right End	27
MAGS8	Mags Lounge Seating Narrow Short Chaise Lounge Unit, Left End	31
MAGS8	Mags Lounge Seating Narrow Short Chaise Lounge Unit, Right End	30
MAGS8	Mags Lounge Seating Wide Short Chaise Lounge Unit, Left End	33
MAGS8	Mags Lounge Seating Wide Short Chaise Lounge Unit, Right End	32
MAGS9	Mags Lounge Seating Cushion, Narrow	38
MAGS9	Mags Lounge Seating Lounge Straight Unit, Left End	35
MAGS9	Mags Lounge Seating Lounge Straight Unit, Right End	34
PLBN	Palissade Bench	150
PLBSN	Palissade Bar Stool	145
PLCN	Palissade Chair without Arms	143
PLCTR	Palissade Cone Table, Round	154
PLDAC	Palissade Chair and Arm Chair, Non-Quilted Seat Cushion	164
PLDBA	Palissade Dining Bench	149
PLDBC	Palissade Dining Bench, Quilted Cushion	156
PLDBS	Palissade Dining Bench, Non-Quilted Seat Cushion	160
PLDCA	Palissade Dining Arm Chair	144
PLDCC	Palissade Dining Arm Chair, Quilted Cushion	155
PLDCS	Palissade Dining Arm Chair, Non-Quilted Seat Cushion	162
PLLCA	Palissade Lounge Chair, High	147
PLLCA	Palissade Lounge Chair, Low	146
PLLCH	Palissade High Lounge Chair, Quilted Cushion	157
PLLCL	Palissade Low Lounge Chair, Quilted Cushion	158
PLLCS	Palissade Lounge Chair, Low and High Height, Non-Quilted Seat Cushion	161
PLLSA	Palissade Lounge Sofa	148
PLLSC	Palissade Lounge Sofa, Quilted Cushion	159
PLLSS	Palissade Lounge Sofa, Non-Quilted Seat Cushion	163
PLON	Palissade Ottoman	151
PLTS3	Palissade Table, Square	152
PLTT6	Palissade Table, Rectangle	153
RESC	Result Chair with Metal Legs	85
REXH	Revolver Bar Stool High with Footrest	104
REVL	Revolver Bar Stool Low with Footrest	103

REVS	Revolver Stool	105
SED10	Soft Edge Non-Upholstered 4-Leg Metal Base Chair with Molded Oak Veneer Shell	86
SED10	Soft Edge Upholstered 4-Leg Metal Base Chair	89
SED12	Soft Edge Non-Upholstered 4-Leg Wood Base Chair with Linking and Molded Oak Veneer Shell	88
SED12	Soft Edge Non-Upholstered 4-Leg Wood Base Chair with Molded Oak Veneer Shell	87
SED12	Soft Edge Upholstered 4-Leg Wood Base Chair	90
SLTH1	Slit Table Hexagon	125
SLTO1	Slit Table Oblong	127
SLTR1	Slit Table Round	126
SLTRX	Slit Table Round, Extra Large	128
TTLSC	Tray Table Square, Coffee	132
TTLSM	Tray Table Square, Medium	130
TTLSS	Tray Table Square, Small	129
TTLTL	Tray Table Rectangle, Large	131
UCH03	Uchiwa Ottoman with 4-Leg Solid Wood Base and Non-Quilted Full Upholstery	14
UCH04	Uchiwa Lounge with 4-Leg Solid Wood Base and Non-Quilted Full Upholstery	13
UCH05	Uchiwa Lounge with 4-Leg Solid Wood Base and Quilted Full Upholstery	15



# Textiles Application Chart — HAY

- Available

	About A Chair	About A Stool	About A Lounge	About A Lounge Sofa	Dapper	MAGS	Uchiwa	Hackney	Silhouette
<b>Price Category 1</b>									
Kvadrat Remix	•	•	•	•	•	•	•	•	•
Mode	•	•	•	•	•	•	•	•	•
<b>Price Category 2</b>									
Steelcut	•	•	•	•	•	•	•	•	•
Steelcut Trio	•	•	•	•	•	•	•	•	•
<b>Price Category 3</b>									
Divina	•	•	•	•	•	•	•	•	•
Divina Melange	•	•	•	•	•	•	•	•	•
Divina MD	•	•	•	•	•	•	•	•	•
Fiord	•	•	•	•	•	•	•	•	•
<b>Price Category 4</b>									
Hallingdal	•	•	•	•	•	•	•	•	•
Canvas	•	•	•	•	•	•	•	•	•
Compound	•	•	•	•	•	•	•	•	•
Lila	•	•	•	•	•	•	•	•	•
<b>Price Category 5</b>									
Coda by Kvadrat	•	•	•	•	•	•	•	•	•

For more information about our products and services or to see a list of dealers, please visit us at [HermanMiller.com](http://HermanMiller.com) or call (800) 851 1196.

© 2019 Herman Miller, Inc., Zeeland, Michigan

#### Distribution Rights

Working together since 1956, Herman Miller and Vitra are the authentic sources of designs by Charles and Ray Eames, Alexander Girard, and George Nelson. All the designs shown in this book are protected by law. Herman Miller has obtained all rights to make and sell these designs. Also, Herman Miller holds exclusive worldwide manufacturing and distribution rights for these products with the following exceptions:

Charles and Ray Eames, George Nelson, and Alexander Girard—Worldwide distribution rights for furniture in all areas except Europe and the Middle East. For those areas, please contact Vitra.

Isamu Noguchi—Worldwide distribution rights for the Noguchi Rudder Table. Distribution rights for the Noguchi Table in North America and Central America only. For all other areas, please contact Vitra.

Magis—Exclusive distribution rights in the US and Canada. For all other areas, please contact Magis.

Mattiazzi—Exclusive distribution rights in the US and Canada. For all other areas, please contact Mattiazzi.

® **HermanMiller**, ●, 3D Intelligent, AO, Action Office, Aeron, ArcSpan, Aside, Avall, Avive, Bubble Lamps, Canvas Office Landscape, Caper, Celle, Co/Struc, Daisiyone, Distil, Eames, Eco-Dematerialized, Embody, Envelop, Equa 2, Ergon 3, Ethospace, Exclave, Fine-Tune, FlexFront, Flo, Formcoat, Formwork, Ground Cloth, Herman Miller for the Home, Herman Miller for Healthcare, Intersect, Kinemat, Lapjack, Layout Studio, Lifework, Limerick, Live Unframed, Living Office, Locale, Maharam, Meridian, Mirra, Motia, Passage, Pellicle, Perspectives, Plex, PostureFit, Public Office Landscape, Resolve, Rodney, Sayl, Setu, Thrive, Tu, Wishbone, and Y-Tower are among the registered trademarks of Herman Miller, Inc., and its owned subsidiaries.

™ 8Z Pellicle, About Face, AireWeave, Albert, Backfit, Bubbletack, Burdick Group, Butterfly Back, Celeste, Cellular Suspension, Clam, Compass, Connect, Cosm, Cubert, DOT, Duracare, Durawrap, Eames Soft Pad, EnhancedAccess, Everywhere, Flex-Edge, Flute, Harmonic, Herman Miller Select, Hopsak 2, Intent, Iota, Jaw, Keyless Entry, Keyn Chair Group by Herman Miller, Latitude, Lino, Locale, Logic Mini, Logic Power Access Solutions, Live Platform, Loop, Lyris, Lyris 2, Made-to-Measure Storage, Metaform Portfolio, Mora, Multiscrim, Nelson, Nevi, Overlay, Pari, Pixelated Support, PostureFit SL, Prospect, Q, Renew, Sense, Soft Pad, Stackable, Stackable Storage, Striad, Swoop, Tone, TriFlex, Twist, Ubi, Verus, Vista and Wireframe are among the trademarks of Herman Miller, Inc., and its owned subsidiaries.

SM Herman Miller Options is among the service marks of Herman Miller, Inc.

AAP™ is a trademark of Extron Electronics.

Alexander Girard® is a registered trademark of The Alexander Girard Estate.

Chemsur® is a registered trademark of Wilsonart International.

Corian® is a registered trademark of E. I. du Pont de Nemours and Company Corporation.

Crypton® is a registered trademark of Crypton, Inc.

DACRON® is a registered trademark of INVISTA S.a r.l.

Danzer® is a registered trademark of Danzer Holding AG.

Decora® is a registered trademark of Leviton Manufacturing Co., Inc.

Edelman® Leather is a registered trademark of Edelman Leather, Inc.

Extron® is a registered trademark of RGB Systems, Inc.

FENIX NTM® is a registered trademark of Arpa Industriale S.p.A.

FLEXNET™ is a trademark of Milliken & Company.

Floor Saver Glide® is a registered trademark of Carpin Manufacturing, Inc.

Geiger® is a registered trademark, and Bumper™, Saiba™, and Ward Bennett™ are trademarks, of Geiger International.

Goetz™ is a trademark of Mark W. Goetz.

Hang-It-All® is a registered trademark of Lucia Eames Demetrios, d.b.a. Eames Office.

Holophane® is a registered trademark of Holophane.

Ingeo™ is a trademark of Cargill Dow LLC.

iPad® is a registered trademark of Apple, Inc.

Leviton® is a registered trademark of Leviton Manufacturing Co., Inc.

LifeSize® is a registered trademark of LifeSize Communications, Inc.

Magis®, Bombo®, and Me Too® are registered trademarks of Magis S.p.A.

Microsoft® and Natural® Keyboard are registered trademarks of Microsoft Corporation.

Noguchi® and the Noguchi table configuration (trade dress) are registered trademarks, and Rudder Table™ is a trademark, of The Isamu Noguchi Foundation and Garden Museum.

Place Textiles® is a registered trademark of Place Textiles.

SuperSeat™ is a trademark of Dahti Seating, a division of ITW.