



Prices effective September 3, 2019

Published September 2019

Mora™ System

Introduction	page 2
Mora™ System	3
Wall Attachment	5
Base Cabinets	8
Overhead Cabinets	28
Towers	51
Surfaces	71
Technology Support Solutions	111
Accessories	117
Indices	135
By Name	135
By Number	137
Appendices	
20-Day or Less/Assigned Lead-Time Order Information - Healthcare	
Packaging/Keyed-Alike Information-Mora™ System	
For the latest materials information, refer to the Materials pages on HermanMiller.com.	

Introduction

A Note on the Organization of This Book

There are a few signals that will help you understand the organization of this book. Once you know them, you should be able to find your way around easily.

Like a newspaper, this book is formatted with columns of text and illustrations that run vertically.

Information wraps from one column to the next and continues for as many pages as it needs to.

Black bars are clues.

A black bar at the top of a page signals the start of information about a product.

This information is divided into two sections, each signaled by a black bar. Product Information includes a description, additional notes, and dimensional drawings. Specification Information, which always begins at the top of a column, includes a series of steps. Each step represents a decision you need to make in order to complete your product number. Steps must be followed sequentially. The number of pages needed to complete information on a product varies; some will be complete in one page; others may fill three or four pages. Just continue going through the steps until you run into the next product, signaled by the black bar at the top of the page.

Black tabs running along the outside edge of the page help you locate what section you are in or what section you want to go to. You can thumb forwards or backwards to find a section; tabs and text appear on both sides of the page.

The additional pages in the back of the book include the appendices and indices. They are signaled by a long black bar running along the outside edge of the page.

The index is presented two ways.

The first index is in alphabetical order by product name. It can be helpful if you are new to the products and numbering scheme or if you are looking for a type of product, such as work chair or round table.

The second index is by product number. It lists, in alphanumeric order, the base product number, typically a five-digit number.

General Information

This book is effective September 3, 2019, subject to change without notice. Products may be purchased from authorized Herman Miller dealers who will quote prices upon request. For more information about our products and services or to see a list of dealers, visit www.HermanMiller.com.


All prices are list prices. Additional services, such as planning services, design, storage, and installation, are not included and must be added to these prices when the additional services are requested.


Illustrations, specifications, and prices are based on the latest information at the time of publication. The right is reserved to make changes at any time without notice in prices, fabrics, finishes, materials, specifications, and models, and also to discontinue models and finishes.

Dimensions shown in the drawings are engineering drawing dimensions rounded up to the nearest $\frac{1}{8}$ ". Product is shipped set up or knocked down. Products that include "Shipped knocked down" in the description require some assembly. If this statement does not appear in the description, the product is shipped assembled.

Service problems are normally handled by a Herman Miller authorized dealer. Where this cannot be accomplished on a local level, service problems should be referred to the Customer Care Representative for your region, Herman Miller, Inc., Zeeland, Michigan 49464.

20-Day or Less/Assigned Lead-Time Shipments

All products and options in this price book not designated by an Assigned Program icon  will ship in **20 business days or less** after being acknowledged by Herman Miller.

Products and options designated by an  are on the assigned lead-time program and may ship in 20 days, less than 20 days, or more than 20 days from order acknowledgement.

Wall Attachment

Base Cabinets

Overhead Cabinets

Towers

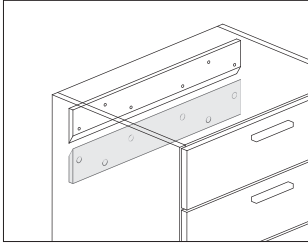
Surfaces

Technology Support Solutions

Accessories

Hanging Cleat

CH100.



Product Information

Description

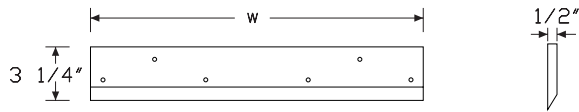
This hanging cleat attaches to an architectural wall to support installation of wall-hanging components. It attaches directly to finished 5/8"-thick or thicker drywall using wall anchors specified separately.

Notes

Cleat can span multiple cabinets.

Order hanging cleat hardware pack (CH105.) separately.

Dimensions



Specification Information

Step 1.

CH100.

Step 2. Width

15	15" wide
18	18" wide
24	24" wide
30	30" wide
36	36" wide
42	42" wide
48	48" wide
54	54" wide
60	60" wide
63	63" wide
66	66" wide
72	72" wide

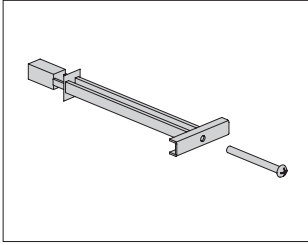
Prices for Steps 1-2.

CH100. 15	\$29
18	\$29
24	\$31
30	\$35
36	\$41
42	\$44
48	\$46
54	\$56
60	\$59
63	\$63
66	\$65
72	\$67

Mora™ Wall Attachment

Hanging Cleat Hardware Pack

CH105.



Mora™ Wall Attachment

Product Information

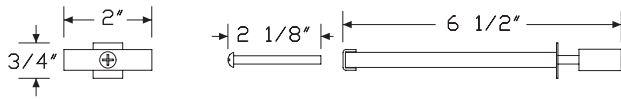
Description

This hardware pack is used to attach a hanging cleat to an architectural wall.

Notes

Order hanging cleat (CH100.) separately.

Dimensions



Specification Information

Step 1.

CH105.

Step 2. Quantity

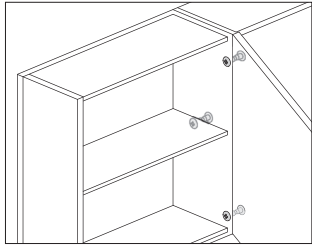
25	25
100	100

Prices for Steps 1-2.

CH105. 25	\$71
100	\$243

Ganging Hardware Pack

CH110.

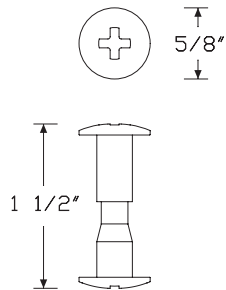


Product Information

Description

This hardware joins 2 side-by-side cabinets and eliminates gaps. 3 fasteners are recommended for each set of cabinet connections.

Dimensions



Specification Information

Step 1.

CH110.

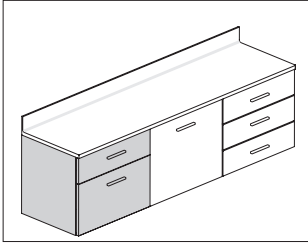
Step 2. Quantity

12	12
50	50

Prices for Steps 1-2.

CH110. 12	\$32
50	\$76

Mora™ Wall Attachment



Mora™ Base Cabinets

Product Information

Description

These cases attach to a hanging cleat to provide storage below a work surface and have drawers with full-extension ball-bearing slides. Cases come in several widths and storage configurations. Finish applies throughout.

Notes

Order the following products separately:

- Hanging cleat (CH100.)
- Work surface
- Ganging hardware pack (CH110.)

Lock options lock top drawer only.

For keyed-alike locks, order lock plugs separately.

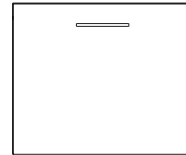
Case height is 20".

Dimensions

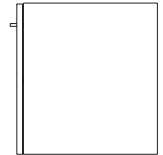


← w →

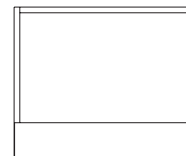
← 18" →



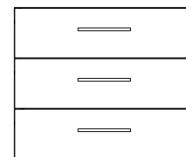
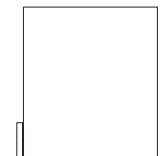
↑ 20 ↓



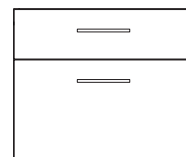
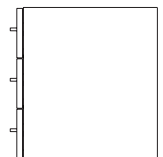
FM



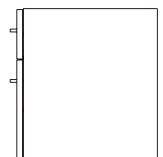
PC



SD



SM



Wall Mounted Drawer Cases

continued

Mora™ Base Cabinets

Specification Information

Step 1.

CH200.

Step 2. Width

18	18" wide	+\$883
24	24" wide	+\$949
30	30" wide	+\$1050

Step 3. Depth

19	19" deep	+\$0
-----------	----------	------

Step 4. Storage Options

For 18" wide (18) or 30" wide (30)

SM	individual drawer fronts, 1 small drawer and 1 large drawer	+\$0
SD	individual drawer fronts, 3 small drawers	+\$142
FM	full drawer front, 1 small drawer and 1 large drawer	+\$0

For 24" wide (24)

SM	individual drawer fronts, 1 small drawer and 1 large drawer	+\$0
SD	individual drawer fronts, 3 small drawers	+\$142
FM	full drawer front, 1 small drawer and 1 large drawer	+\$0
PC	printer cabinet with pull-out shelf	+\$36

Step 5. Location in Run (for back-notching)

M	middle of run	+\$0
L	left finished end	+\$0
R	right finished end	+\$0
S	standalone (no notching)	+\$0

Step 6. Lock Option

For individual drawer fronts, 1 small drawer and 1 large drawer (SM), individual drawer fronts, 3 small drawers (SD), or full drawer front, 1 small drawer and 1 large drawer (FM)

NL	no lock	+\$0
KA	keyed lock, keyed alike	+\$61
KC	keyed lock, keyed differently, chrome	+\$61
KD	keyed lock, keyed differently, black	+\$61
KP	keyless lock	+\$279

For printer cabinet with pull-out shelf (PC)

NL	no lock	+\$0
-----------	---------	------

Step 7. Pull Type

For individual drawer fronts, 1 small drawer and 1 large drawer (SM), individual drawer fronts, 3 small drawers (SD), or full drawer front, 1 small drawer and 1 large drawer (FM)

A	arc pull	+\$25
K	bar pull	+\$25
T	tab pull	+\$57
P	profile pull	+\$57
C	curved pull	+\$51
N	no pull	+\$0

For printer cabinet with pull-out shelf (PC)

N	no pull	+\$0
----------	---------	------

Step 8. Case/Front/Side Material

L	low-pressure laminate	+\$0
H	high-pressure laminate	+\$229

Step 9. Grain Direction

HRG	horizontal grain	+\$0
VTG	vertical grain	+\$0

Wall Mounted Drawer Cases

continued

Mora™ Base Cabinets

Step 10. Finish

For low-pressure laminate (L)

76	light brown walnut	+\$0
8Q	folkstone grey	+\$0
91	white	+\$0
98	studio white	+\$0
CL	cool grey neutral	+\$0
HM	natural maple	+\$0
HP	light anigre	+\$0
HX	aged cherry	+\$0
HY	walnut on cherry	+\$0
LA	light ash	+\$0
LBA	clear on ash	+\$0
LBB	oak on ash	+\$0
LBC	walnut on ash	+\$0
LBD	dark brown walnut	+\$0
LBE	medium red walnut	+\$0
LBF	neutral twill	+\$0
LBG	sarum twill	+\$0
LBH	earthen twill	+\$0
LBJ	graphite twill	+\$0
LBK	pewter mesh	+\$0
LBL	steel mesh	+\$0
LBM	crisp linen	+\$0
LBN	classic linen	+\$0
LBP	casual linen	+\$0
LBQ	white twill	+\$0
LBR	phantom ecru	+\$0
LBS	phantom cocoa	+\$0
LBU	medium matte walnut	+\$0
LBV	warm grey teak	+\$0
LU	soft white	+\$0
WL	sandstone	+\$0
WN	warm grey neutral	+\$0

For high-pressure laminate (H)

76	light brown walnut	+\$0
8Q	folkstone grey	+\$0
91	white	+\$0
98	studio white	+\$0
CL	cool grey neutral	+\$0
HF	inner tone light	+\$0
HM	natural maple	+\$0
HP	light anigre	+\$0
HT	inner tone	+\$0
HX	aged cherry	+\$0

HY	walnut on cherry	+\$0
LA	light ash	+\$0
LBA	clear on ash	+\$0
LBB	oak on ash	+\$0
LBC	walnut on ash	+\$0
LBD	dark brown walnut	+\$0
LBE	medium red walnut	+\$0
LBF	neutral twill	+\$0
LBG	sarum twill	+\$0
LBH	earthen twill	+\$0
LBJ	graphite twill	+\$0
LBM	crisp linen	+\$0
LBN	classic linen	+\$0
LBP	casual linen	+\$0
LBQ	white twill	+\$0
LBR	phantom ecru	+\$0
LBS	phantom cocoa	+\$0
LBU	medium matte walnut	+\$0
LBV	warm grey teak	+\$0
LT	light tone	+\$0
LU	soft white	+\$0
MT	medium tone	+\$0
OG	honey maple	+\$0
WL	sandstone	+\$0
WN	warm grey neutral	+\$0

Step 11. Pull Finish

For no pull (N)

NN	none	+\$0
-----------	------	------

For arc pull (A), tab pull (T), profile pull (P), or curved pull (C)

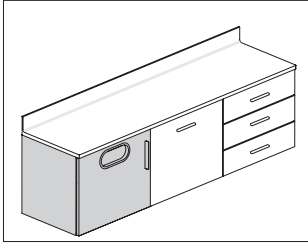
STD	standard finish	+\$0
------------	-----------------	------

For bar pull (K)

98	studio white	+\$0
8Q	folkstone grey	+\$0
91	white	+\$0
G1	graphite	+\$0
CN	metallic champagne	+\$0
MS	metallic silver	+\$0

Wall Mounted Door Case

CH210.



Product Information

Description

These cases attach to a hanging cleat to provide storage below a work surface, trash solutions, or act as sink cabinets. The trash cabinet accommodates a 7-gallon waste bin. Finish applies throughout.

Notes

When specifying full door with trash opening (DT), waste bin not included. See Planning Guide for recommendations.

Order work surface or work surface with sink separately.

When using cabinet as a sink cabinet, a fixed panel front option is recommended to hide plumbing.

Full door with trash opening (DT) storage option cannot be used as a sink cabinet.

All storage options have adjustable shelf.

Case height is 20".

Order the following products separately:

- Hanging cleat (CH100.)
- Ganging hardware (CH110.)

Dimensions

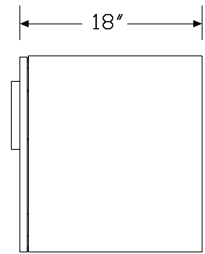


18,24"

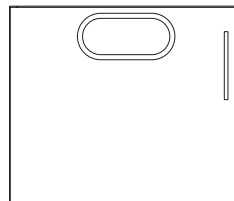


FD

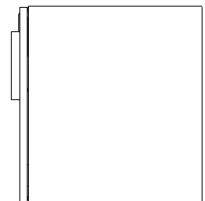
20



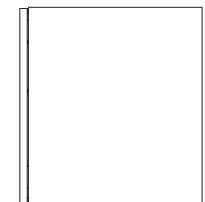
18"



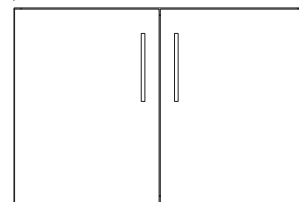
DT



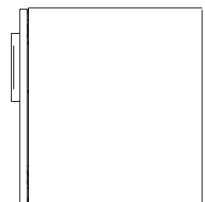
FP



30,36"



DD



Mora™ Base Cabinets

Wall Mounted Door Case *continued*

Mora™ Base Cabinets

Specification Information		
Step 1.		
CH210.		
Step 2. Width		
18	18" wide	+\$658
24	24" wide	+\$701
30	30" wide	+\$787
36	36" wide	+\$827
Step 3. Depth		
19	19" deep	+\$0
Step 4. Storage Options		
<i>For 18" wide (18) or 24" wide (24)</i>		
FD	full door	+\$0
DT	full door with trash opening	+\$36
FP	removable panel front	+\$21
<i>For 30" wide (30) or 36" wide (36)</i>		
DD	double doors	+\$0
Step 5. Location in Run (for back-notching)		
M	middle of run	+\$0
L	left finished end	+\$0
R	right finished end	+\$0
S	standalone (no notching)	+\$0
Step 6. Door Hinge Location		
<i>For full door (FD) or full door with trash opening (DT)</i>		
L	left	+\$0
R	right	+\$0
<i>For removable panel front (FP)</i>		
N	no hinge	+\$0
<i>For double doors (DD)</i>		
B	left and right	+\$0

Step 7. Lock Option		
<i>For double doors (DD) or full door (FD)</i>		
NL	no lock	+\$0
KA	keyed lock, keyed alike	+\$61
KC	keyed lock, keyed differently, chrome	+\$61
KD	keyed lock, keyed differently, black	+\$61
KP	keyless lock	+\$279
<i>For full door with trash opening (DT) or removable panel front (FP)</i>		
NL	no lock	+\$0
Step 8. Pull Type		
<i>For double doors (DD), full door (FD), or full door with trash opening (DT)</i>		
A	arc pull	+\$13
K	bar pull	+\$13
T	tab pull	+\$29
P	profile pull	+\$29
C	curved pull	+\$26
N	no pull	+\$0
<i>For removable panel front (FP)</i>		
N	no pull	+\$0
Step 9. Case/Front/Side Material		
L	low-pressure laminate	+\$0
H	high-pressure laminate	+\$229
Step 10. Grain Direction		
HRG	horizontal grain	+\$0
VTG	vertical grain	+\$0

Wall Mounted Door Case *continued*

Step 11. Finish

For low-pressure laminate (L)

76	light brown walnut	+\$0
8Q	folkstone grey	+\$0
91	white	+\$0
98	studio white	+\$0
CL	cool grey neutral	+\$0
HM	natural maple	+\$0
HP	light anigre	+\$0
HX	aged cherry	+\$0
HY	walnut on cherry	+\$0
LA	light ash	+\$0
LBA	clear on ash	+\$0
LBB	oak on ash	+\$0
LBC	walnut on ash	+\$0
LBD	dark brown walnut	+\$0
LBE	medium red walnut	+\$0
LBF	neutral twill	+\$0
LBG	sarum twill	+\$0
LBH	earthen twill	+\$0
LBJ	graphite twill	+\$0
LBK	pewter mesh	+\$0
LBL	steel mesh	+\$0
LBM	crisp linen	+\$0
LBN	classic linen	+\$0
LBP	casual linen	+\$0
LBQ	white twill	+\$0
LBR	phantom ecru	+\$0
LBS	phantom cocoa	+\$0
LBU	medium matte walnut	+\$0
LBV	warm grey teak	+\$0
LU	soft white	+\$0
WL	sandstone	+\$0
WN	warm grey neutral	+\$0

For high-pressure laminate (H)

76	light brown walnut	+\$0
8Q	folkstone grey	+\$0
91	white	+\$0
98	studio white	+\$0
CL	cool grey neutral	+\$0
HF	inner tone light	+\$0
HM	natural maple	+\$0
HP	light anigre	+\$0
HT	inner tone	+\$0
HX	aged cherry	+\$0

HY	walnut on cherry	+\$0
LA	light ash	+\$0
LBA	clear on ash	+\$0
LBB	oak on ash	+\$0
LBC	walnut on ash	+\$0
LBD	dark brown walnut	+\$0
LBE	medium red walnut	+\$0
LBF	neutral twill	+\$0
LBG	sarum twill	+\$0
LBH	earthen twill	+\$0
LBJ	graphite twill	+\$0
LBM	crisp linen	+\$0
LBN	classic linen	+\$0
LBP	casual linen	+\$0
LBQ	white twill	+\$0
LBR	phantom ecru	+\$0
LBS	phantom cocoa	+\$0
LBU	medium matte walnut	+\$0
LBV	warm grey teak	+\$0
LT	light tone	+\$0
LU	soft white	+\$0
MT	medium tone	+\$0
OG	honey maple	+\$0
WL	sandstone	+\$0
WN	warm grey neutral	+\$0

Step 12. Pull Finish

For no pull (N)

NN	none	+\$0
-----------	------	------

For arc pull (A), tab pull (T), profile pull (P), or curved pull (C)

STD	standard finish	+\$0
------------	-----------------	------

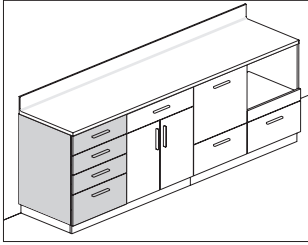
For bar pull (K)

98	studio white	+\$0
8Q	folkstone grey	+\$0
91	white	+\$0
G1	graphite	+\$0
CN	metallic champagne	+\$0
MS	metallic silver	+\$0

Wall Mounted Door Case *continued*

Mora™ Base Cabinets

Step 13. Grommet Finish		
<i>For full door with trash opening (DT)</i>		
8Q	folkstone grey	+\$0
91	white	+\$0
CL	cool grey neutral	+\$0
WL	sandstone	+\$0
WN	warm grey neutral	+\$0



Product Information

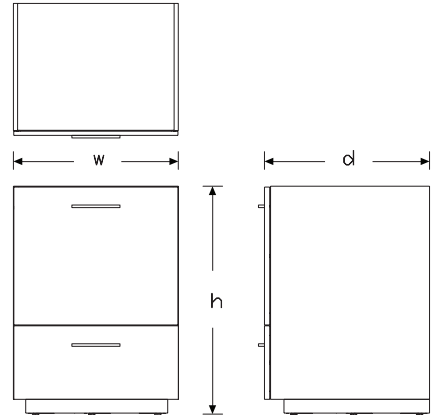
Description

These cases provide storage below a work surface and sit on a plinth base with 1½" adjustable glides. Cases come in several sizes and storage configurations, with or without locks. Finish applies throughout.

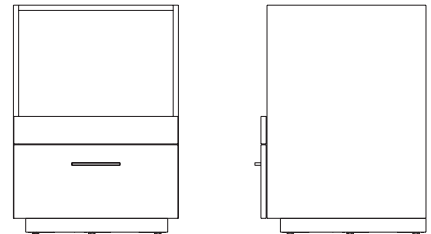
Notes

- Order plinth base (CH250., CH255.) separately.
- Order work surface separately.
- Lock options lock the top drawer only.
- For keyed-alike locks, order lock plugs separately.
- For service parts, bottom large drawer has slightly different dimension than middle large drawer.

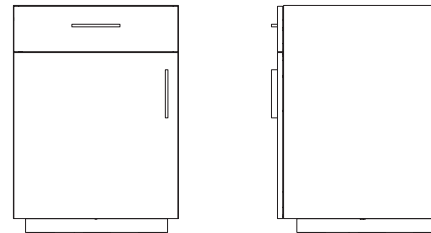
Dimensions



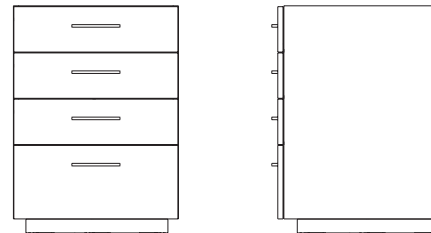
FM



PC



SS



SD

To-The-Floor Drawer Cases *continued*

Mora™ Base Cabinets

Specification Information		
Step 1.		
CH220.		
Step 2. Height		
34	34" high	+\$1348
36	36" high	+\$1364
Step 3. Width		
18	18" wide	+\$0
24	24" wide	+\$31
30	30" wide	+\$102
36	36" wide	+\$0
Step 4. Depth		
19	19" deep	+\$0
24	24" deep	+\$31
30	30" deep	+\$457
Step 5. Storage Options		
<i>For 18" wide (18)</i>		
SD	individual drawer fronts, 3 small drawers, 1 large drawer	+\$0
FM	full drawer front, 1 small drawer, 2 large drawers	-\$124
SS	door and small drawer with shelf	-\$282
<i>For 24" wide (24)</i>		
SD	individual drawer fronts, 3 small drawers, 1 large drawer	+\$0
FM	full drawer front, 1 small drawer, 2 large drawers	-\$134
SS	door and small drawer with shelf	-\$296
PC	printer cabinet with pull-out shelf	+\$0
<i>For 30" wide (30)</i>		
SD	individual drawer fronts, 3 small drawers, 1 large drawer	+\$0
FM	full drawer front, 1 small drawer, 2 large drawers	-\$144
DR	double doors with drawer and shelf	-\$198
<i>For 36" wide (36)</i>		
DR	double doors with drawer and shelf	-\$89
Step 6. Door Hinge Location		
L	left	+\$0
R	right	+\$0

Step 7. Lock Option		
<i>For double doors with drawer and shelf (DR), individual drawer fronts, 3 small drawers, 1 large drawer (SD), full drawer front, 1 small drawer, 2 large drawers (FM), or door and small drawer with shelf (SS)</i>		
NL	no lock	+\$0
KA	keyed lock, keyed alike	+\$61
KC	keyed lock, keyed differently, chrome	+\$61
KD	keyed lock, keyed differently, black	+\$61
KP	keyless lock	+\$279
<i>For printer cabinet with pull-out shelf (PC)</i>		
NL	no lock	+\$0
Step 8. Pull Type		
A	arc pull	+\$25
K	bar pull	+\$25
T	tab pull	+\$57
P	profile pull	+\$57
C	curved pull	+\$51
N	no pull	+\$0
Step 9. Case/Front/Side Material		
L	low-pressure laminate	+\$0
H	high-pressure laminate	+\$244
Step 10. Grain Direction		
HRG	horizontal grain	+\$0
VTG	vertical grain	+\$0

To-The-Floor Drawer Cases *continued*

Step 11. Finish

For low-pressure laminate (L)

76	light brown walnut	+\$0
8Q	folkstone grey	+\$0
91	white	+\$0
98	studio white	+\$0
CL	cool grey neutral	+\$0
HM	natural maple	+\$0
HP	light anigre	+\$0
HX	aged cherry	+\$0
HY	walnut on cherry	+\$0
LA	light ash	+\$0
LBA	clear on ash	+\$0
LBB	oak on ash	+\$0
LBC	walnut on ash	+\$0
LBD	dark brown walnut	+\$0
LBE	medium red walnut	+\$0
LBF	neutral twill	+\$0
LBG	sarum twill	+\$0
LBH	earthen twill	+\$0
LBJ	graphite twill	+\$0
LBK	pewter mesh	+\$0
LBL	steel mesh	+\$0
LBM	crisp linen	+\$0
LBN	classic linen	+\$0
LBP	casual linen	+\$0
LBQ	white twill	+\$0
LBR	phantom ecru	+\$0
LBS	phantom cocoa	+\$0
LBU	medium matte walnut	+\$0
LBV	warm grey teak	+\$0
LU	soft white	+\$0
WL	sandstone	+\$0
WN	warm grey neutral	+\$0

For high-pressure laminate (H)

76	light brown walnut	+\$0
8Q	folkstone grey	+\$0
91	white	+\$0
98	studio white	+\$0
CL	cool grey neutral	+\$0
HF	inner tone light	+\$0
HM	natural maple	+\$0
HP	light anigre	+\$0
HT	inner tone	+\$0
HX	aged cherry	+\$0

HY	walnut on cherry	+\$0
LA	light ash	+\$0
LBA	clear on ash	+\$0
LBB	oak on ash	+\$0
LBC	walnut on ash	+\$0
LBD	dark brown walnut	+\$0
LBE	medium red walnut	+\$0
LBF	neutral twill	+\$0
LBG	sarum twill	+\$0
LBH	earthen twill	+\$0
LBJ	graphite twill	+\$0
LBM	crisp linen	+\$0
LBN	classic linen	+\$0
LBP	casual linen	+\$0
LBQ	white twill	+\$0
LBR	phantom ecru	+\$0
LBS	phantom cocoa	+\$0
LBU	medium matte walnut	+\$0
LBV	warm grey teak	+\$0
LM	mahogany	+\$0
LT	light tone	+\$0
LU	soft white	+\$0
MT	medium tone	+\$0
OG	honey maple	+\$0
WL	sandstone	+\$0
WN	warm grey neutral	+\$0

Step 12. Pull Finish

For no pull (N)

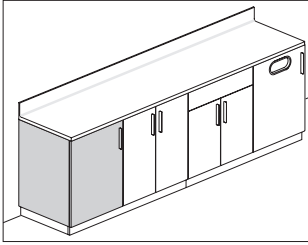
NN	none	+\$0
-----------	------	------

For arc pull (A), tab pull (T), profile pull (P), or curved pull (C)

STD	standard finish	+\$0
------------	-----------------	------

For bar pull (K)

8Q	folkstone grey	+\$0
91	white	+\$0
98	studio white	+\$0
CN	metallic champagne	+\$0
G1	graphite	+\$0
MS	metallic silver	+\$0



Mora™ Base Cabinets

Product Information

Description

These cases provide storage below a work surface, trash solutions, or act as sink cabinets. The cases sit on a plinth base with 1½" adjustable glides. The trash cabinet accommodates a 7-gallon waste bin. Finish applies throughout.

Notes

When specifying full door with trash cutout (TC), waste bin not included.

See Planning Guide for recommendations.

Order work surface or work surface with sink separately.

Order plinth base (CH250., CH255.) separately.

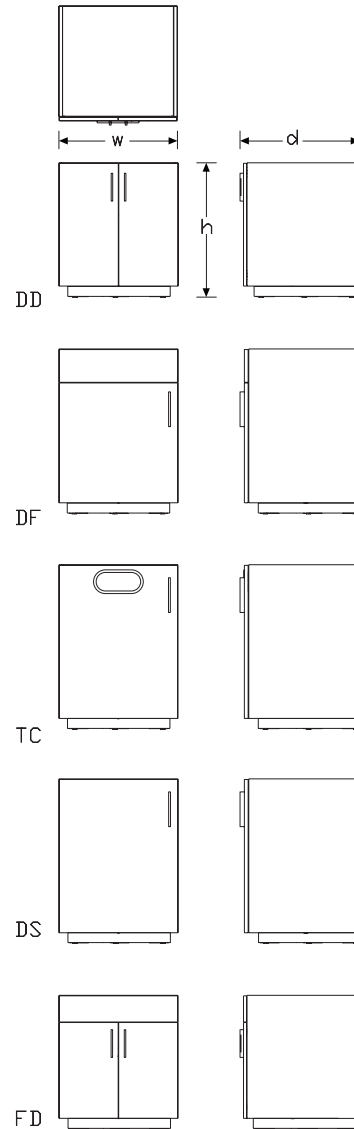
When using cabinet as a sink cabinet, a fixed panel front option is recommended to hide plumbing.

Door with trash cutout (TC) storage option cannot be used as a sink cabinet.

All storage options have adjustable shelf.

Order ganging hardware (CH110.) separately.

Dimensions



To-The-Floor Door Cases *continued*

Specification Information

Step 1.

CH230.

Step 2. Height

34	34" high	+\$784
36	36" high	+\$794

Step 3. Width

18	18" wide	+\$0
24	24" wide	+\$36
30	30" wide	+\$289
36	36" wide	+\$330
48	48" wide	+\$421

Step 4. Depth

19	19" deep	+\$0
24	24" deep	+\$31
30	30" deep	+\$132

Step 5. Storage Options

For 18" wide (18) or 24" wide (24)

DS	full door with shelf	+\$0
TC	door wth trash cutout	+\$31
DF	door with false drawer front and shelf	+\$21

For 30" wide (30), 36" wide (36), or 48" wide (48)

DD	double doors with shelf	+\$0
FD	double doors with false drawer front and shelf	+\$21

Step 6. Door Hinge Location

For full door with shelf (DS), door wth trash cutout (TC), or door with false drawer front and shelf (DF)

L	left	+\$0
R	right	+\$0

For double doors with shelf (DD) or double doors with false drawer front and shelf (FD)

B	left and right	+\$0
----------	----------------	------

Step 7. Lock Option

For double doors with shelf (DD) or full door with shelf (DS)

NL	no lock	+\$0
KA	keyed lock, keyed alike	+\$61
KC	keyed lock, keyed differently, chrome	+\$61
KD	keyed lock, keyed differently, black	+\$61
KP	keyless lock	+\$279

For double doors with false drawer front and shelf (FD), door wth trash cutout (TC), or door with false drawer front and shelf (DF)

NL	no lock	+\$0
-----------	---------	------

Step 8. Pull Type

A	arc pull	+\$13
K	bar pull	+\$13
T	tab pull	+\$29
P	profile pull	+\$29
C	curved pull	+\$26
N	no pull	+\$0

Step 9. Case/Front/Side Material

L	low-pressure laminate	+\$0
H	high-pressure laminate	+\$244

Step 10. Grain Direction

HRG	horizontal grain	+\$0
VTG	vertical grain	+\$0

To-The-Floor Door Cases *continued*

Mora™ Base Cabinets

Step 11. Finish

For low-pressure laminate (L)

76	light brown walnut	+\$0
8Q	folkstone grey	+\$0
91	white	+\$0
98	studio white	+\$0
CL	cool grey neutral	+\$0
HM	natural maple	+\$0
HP	light anigre	+\$0
HX	aged cherry	+\$0
HY	walnut on cherry	+\$0
LA	light ash	+\$0
LBA	clear on ash	+\$0
LBB	oak on ash	+\$0
LBC	walnut on ash	+\$0
LBD	dark brown walnut	+\$0
LBE	medium red walnut	+\$0
LBF	neutral twill	+\$0
LBG	sarum twill	+\$0
LBH	earthen twill	+\$0
LBJ	graphite twill	+\$0
LBK	pewter mesh	+\$0
LBL	steel mesh	+\$0
LBM	crisp linen	+\$0
LBN	classic linen	+\$0
LBP	casual linen	+\$0
LBQ	white twill	+\$0
LBR	phantom ecru	+\$0
LBS	phantom cocoa	+\$0
LBU	medium matte walnut	+\$0
LBV	warm grey teak	+\$0
LU	soft white	+\$0
WL	sandstone	+\$0
WN	warm grey neutral	+\$0

For high-pressure laminate (H)

76	light brown walnut	+\$0
8Q	folkstone grey	+\$0
91	white	+\$0
98	studio white	+\$0
BU	black umber	+\$0
CL	cool grey neutral	+\$0
HF	inner tone light	+\$0
HM	natural maple	+\$0
HP	light anigre	+\$0
HT	inner tone	+\$0

HX	aged cherry	+\$0
HY	walnut on cherry	+\$0
LA	light ash	+\$0
LBA	clear on ash	+\$0
LBB	oak on ash	+\$0
LBC	walnut on ash	+\$0
LBD	dark brown walnut	+\$0
LBE	medium red walnut	+\$0
LBF	neutral twill	+\$0
LBG	sarum twill	+\$0
LBH	earthen twill	+\$0
LBJ	graphite twill	+\$0
LBM	crisp linen	+\$0
LBN	classic linen	+\$0
LBP	casual linen	+\$0
LBQ	white twill	+\$0
LBR	phantom ecru	+\$0
LBS	phantom cocoa	+\$0
LBU	medium matte walnut	+\$0
LBV	warm grey teak	+\$0
LT	light tone	+\$0
LU	soft white	+\$0
MT	medium tone	+\$0
OG	honey maple	+\$0
WL	sandstone	+\$0
WN	warm grey neutral	+\$0

Step 12. Pull Finish

For no pull (N)

NN	none	+\$0
-----------	------	------

For arc pull (A), tab pull (T), profile pull (P), or curved pull (C)

STD	standard finish	+\$0
------------	-----------------	------

For bar pull (K)

8Q	folkstone grey	+\$0
91	white	+\$0
98	studio white	+\$0
CN	metallic champagne	+\$0
G1	graphite	+\$0
MS	metallic silver	+\$0

To-The-Floor Door Cases *continued*

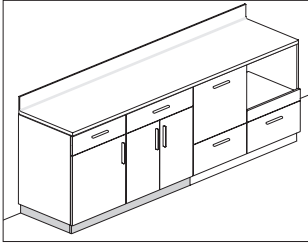
Step 13. Grommet Finish

For door wth trash cutout (TC)

8Q	folkstone grey	+\$0
91	white	+\$0
CL	cool grey neutral	+\$0
WL	sandstone	+\$0
WN	warm grey neutral	+\$0

Plinth Base - Finished

CH250.

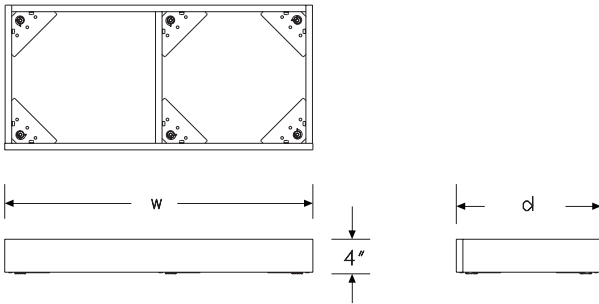


Mora™ Base Cabinets

Product Information

Description
 This HPL plinth base raises to-the-floor cabinets off the floor creating a toe-kick area, is designed to span multiple cabinets, and has 1½" adjustable glides. It is designed to be used without cove molding. Shipped assembled.

Dimensions



Specification Information

Step 1.

CH250.

Step 2. Depth

19	19" deep	+\$381
24	24" deep	+\$406
30	30" deep	+\$431

Step 3. Width

15	15" wide	-\$12
18	18" wide	-\$10
24	24" wide	+\$0
30	30" wide	+\$16
36	36" wide	+\$31
42	42" deep	+\$51
48	48" wide	+\$61
54	54" wide	+\$82
60	60" wide	+\$97
63	63" wide	+\$102
66	66" wide	+\$112
72	72" wide	+\$127

Step 4. Inset (for cabinet)

B	inset on both (recommended)	+\$0
I	inset on one side	+\$0
C	flush on both (inline)	+\$0

Step 5. Case/Front/Side Material

H	high-pressure laminate	+\$0
----------	------------------------	------

Step 6. Grain Direction

HRG	horizontal grain	+\$0
------------	------------------	------

Step 7. Finish

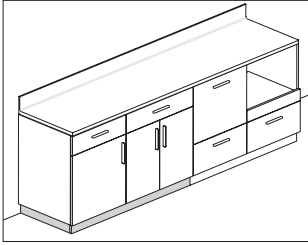
LBR	phantom ecru	+\$0
LBS	phantom cocoa	+\$0
LBV	warm grey teak	+\$0
28	canyon	+\$0
29	misted	+\$0
38	twilight	+\$0
39	desert	+\$0
76	light brown walnut	+\$0
8Q	folkstone grey	+\$0
91	white	+\$0
98	studio white	+\$0
BU	black umber	+\$0

Plinth Base - Finished *continued*

CL	cool grey neutral	+\$0
HF	inner tone light	+\$0
HM	natural maple	+\$0
HP	light anigre	+\$0
HT	inner tone	+\$0
HX	aged cherry	+\$0
HY	walnut on cherry	+\$0
LA	light ash	+\$0
LBA	clear on ash	+\$0
LBB	oak on ash	+\$0
LBC	walnut on ash	+\$0
LBD	dark brown walnut	+\$0
LBE	medium red walnut	+\$0
LBF	neutral twill	+\$0
LBG	sarum twill	+\$0
LBH	earthen twill	+\$0
LBJ	graphite twill	+\$0
LBM	crisp linen	+\$0
LBN	classic linen	+\$0
LBP	casual linen	+\$0
LBQ	white twill	+\$0
LBU	medium matte walnut	+\$0
LT	light tone	+\$0
LU	soft white	+\$0
MT	medium tone	+\$0
OG	honey maple	+\$0
WL	sandstone	+\$0
WN	warm grey neutral	+\$0
X1	chalk white	+\$0

Plinth Base - Unfinished

CH255.

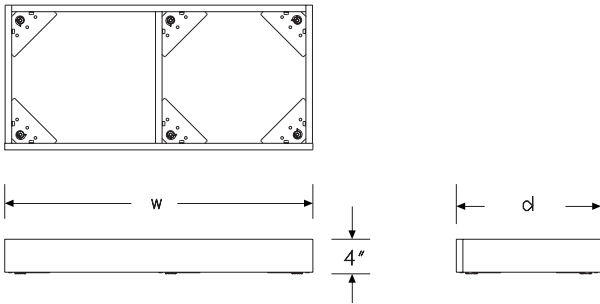


Mora™ Base Cabinets

Product Information

Description
 This unfinished plinth base raises to-the-floor cabinets off the floor creating a toe-kick area, is designed to span multiple cabinets, and has 1 1/2" adjustable glides. It is designed to be used without cove molding and has unfinished ends. Shipped assembled.

Dimensions



Specification Information

Step 1.

CH255.

Step 2. Depth

19	19" deep	+\$244
24	24" deep	+\$269
30	30" deep	+\$396

Step 3. Width

15	15" wide	-\$12
18	18" wide	-\$10
24	24" wide	+\$0
30	30" wide	+\$16
36	36" wide	+\$31
42	42" wide	+\$51
48	48" wide	+\$61
54	54" wide	+\$82
60	60" wide	+\$97
63	63" wide	+\$102
66	66" wide	+\$112
72	72" wide	+\$127

Step 4. Inset (for cabinet)

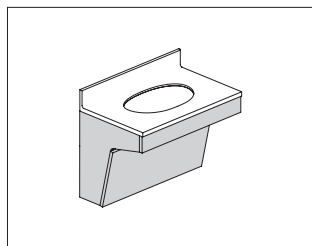
B	inset on both (recommended)	+\$0
C	flush on both (inline)	+\$0
I	inset on one side	+\$0

Step 5. Finish

91	white	+\$0
-----------	-------	------

ADA Sink Enclosure

CH240.



Product Information

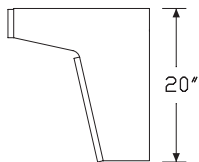
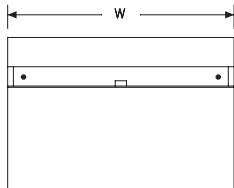
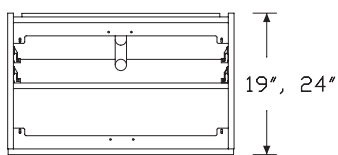
Description

This sink enclosure hangs from an architectural wall. Enclosure has a removable front panel to allow access to plumbing.

Notes

Order Corian® worksurface with ADA sink (CH607.) separately.
Faucet must be field supplied.

Dimensions



Specification Information

Step 1.

CH240.

Step 2. Depth

19	19" deep	+\$913
24	24" deep	+\$963

Step 3. Width

24	24" wide	-\$15
30	30" wide	+\$0
36	36" wide	+\$31
42	42" wide	+\$56
48	48" wide	+\$82

Step 4. Height

STD	standard	+\$0
------------	----------	------

Step 5. Surface Material

H	high-pressure laminate	+\$173
L	low-pressure laminate	+\$0

Step 6. Grain Direction

HRG	horizontal grain	+\$0
VTG	vertical grain	+\$0

Mora™ Base Cabinets

Step 7. Finish

For low-pressure laminate (L)

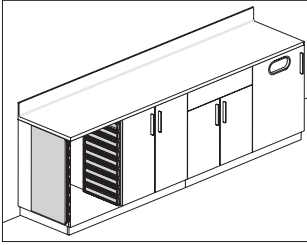
76	light brown walnut	+\$0
8Q	folkstone grey	+\$0
91	white	+\$0
98	studio white	+\$0
CL	cool grey neutral	+\$0
HM	natural maple	+\$0
HP	light anigre	+\$0
HX	aged cherry	+\$0
HY	walnut on cherry	+\$0
LA	light ash	+\$0
LBA	clear on ash	+\$0
LBB	oak on ash	+\$0
LBC	walnut on ash	+\$0
LBD	dark brown walnut	+\$0
LBE	medium red walnut	+\$0
LBF	neutral twill	+\$0
LBG	sarum twill	+\$0
LBH	earthen twill	+\$0
LBJ	graphite twill	+\$0
LBK	pewter mesh	+\$0
LBL	steel mesh	+\$0
LBM	crisp linen	+\$0
LBN	classic linen	+\$0
LBP	casual linen	+\$0
LBQ	white twill	+\$0
LBR	phantom ecru	+\$0
LBS	phantom cocoa	+\$0
LBU	medium matte walnut	+\$0
LBV	warm grey teak	+\$0
LU	soft white	+\$0
WL	sandstone	+\$0
WN	warm grey neutral	+\$0

For high-pressure laminate (H)

76	light brown walnut	+\$0
8Q	folkstone grey	+\$0
91	white	+\$0
98	studio white	+\$0
CL	cool grey neutral	+\$0
HF	inner tone light	+\$0
HM	natural maple	+\$0
HP	light anigre	+\$0
HT	inner tone	+\$0
HX	aged cherry	+\$0
HY	walnut on cherry	+\$0
LA	light ash	+\$0
LBA	clear on ash	+\$0
LBB	oak on ash	+\$0
LBC	walnut on ash	+\$0
LBD	dark brown walnut	+\$0
LBE	medium red walnut	+\$0
LBF	neutral twill	+\$0
LBG	sarum twill	+\$0
LBH	earthen twill	+\$0
LBJ	graphite twill	+\$0
LBM	crisp linen	+\$0
LBN	classic linen	+\$0
LBP	casual linen	+\$0
LBQ	white twill	+\$0
LBR	phantom ecru	+\$0
LBS	phantom cocoa	+\$0
LBU	medium matte walnut	+\$0
LBV	warm grey teak	+\$0
LT	light tone	+\$0
LU	soft white	+\$0
MT	medium tone	+\$0
WL	sandstone	+\$0
WN	warm grey neutral	+\$0

Interior Co/Struc Adapter

CH260.



Product Information

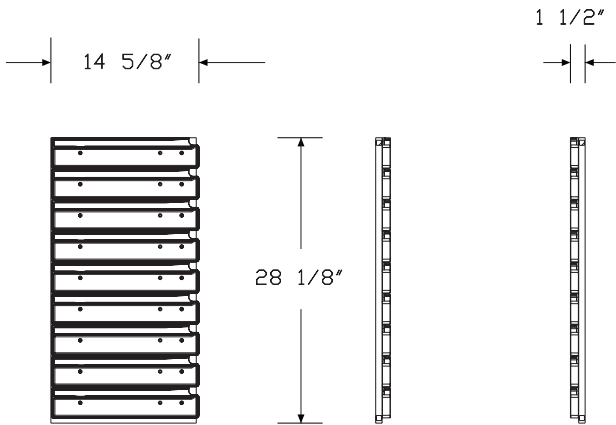
Description

This interior Co/Struc® adapter has 2 side panels with 9 drawer slots in 3" increments. It can only be used with a 36"H x 24"W x 24"D cabinet. Attachment hardware included.

Notes

Order Co/Struc drawers (CT501., CT511.) separately. Drawers must be ordered 20" wide.

Dimensions

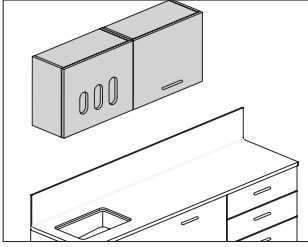


Specification Information

Step 1.

CH260. A

\$971



Product Information

Description

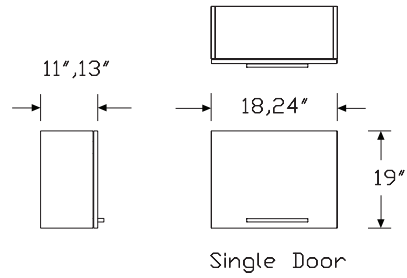
These overhead cabinets attach to an architectural wall with a hanging cleat. They are available in several sizes and storage configurations. All storage options include an adjustable shelf.

Notes

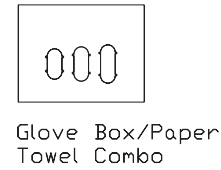
- Overhead cabinets wider than 36" have vertical divider.
- When specifying paper towel cabinet (P) or paper towel/glove holder combo cabinet (C), paper towel dispenser is field supplied.
- For keyed-alike locks, order lock plugs separately.
- Order the following products separately:
 - Hanging cleat (CH100.)
 - Ganging hardware (CH110.)

Mora™ Overhead Cabinets

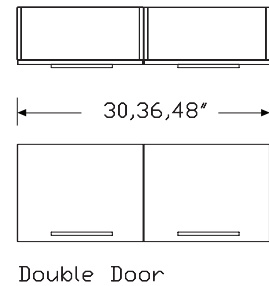
Dimensions



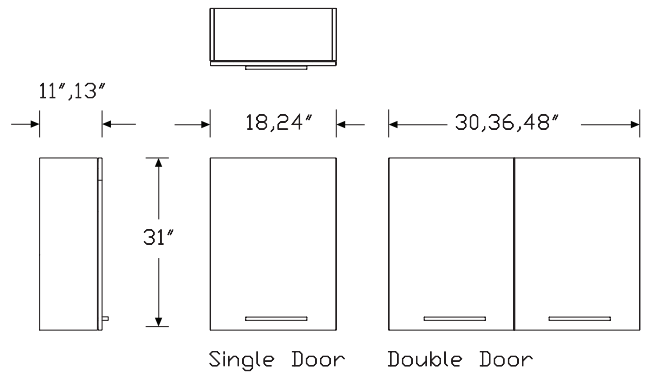
Single Door



Glove Box/Paper Towel Combo



Double Door



Single Door

Double Door

Overhead Storage *continued*

Specification Information		
Step 1.		
CH300.		
Step 2. Height		
19	19" high	+\$556
31	31" high	+\$662
Step 3. Width		
18	18" wide	+\$0
24	24" wide	+\$31
30	30" wide	+\$132
36	36" wide	+\$173
48	48" wide	+\$305
Step 4. Depth		
11	11" deep	+\$0
13	13" deep	+\$0
Step 5. Storage Options		
<i>For 19" high (19) with 18" wide (18) or 24" wide (24)</i>		
S	single door	+\$0
C	paper towel/glove holder combo cabinet	+\$153
P	paper towel cabinet	+\$0
G	glove holder cabinet	+\$153
<i>For 31" high (31) with 18" wide (18) or 24" wide (24)</i>		
S	single door	+\$0
P	paper towel cabinet	+\$0
<i>For 19" high (19) or 31" high (31) with 30" wide (30), 36" wide (36), or 48" wide (48)</i>		
D	double door	+\$0
Step 6. Location in Run		
S	standalone	+\$0
M	middle of run	+\$0
L	left end	+\$0
R	right end	+\$0
Step 7. Door Hinge Location		
<i>For single door (S), paper towel/glove holder combo cabinet (C), paper towel cabinet (P), or glove holder cabinet (G)</i>		
L	left	+\$0
R	right	+\$0

<i>For double door (D)</i>		
S	default	+\$0
Step 8. Lock Option		
<i>For double door (D) or single door (S)</i>		
NL	no lock	+\$0
KA	keyed lock, keyed alike	+\$61
KC	keyed lock, keyed differently, chrome	+\$61
KD	keyed lock, keyed differently, black	+\$61
KP	keyless lock	+\$279
<i>For paper towel/glove holder combo cabinet (C), paper towel cabinet (P), or glove holder cabinet (G)</i>		
NL	no lock	+\$0
Step 9. Pull Type		
<i>For double door (D), single door (S), paper towel cabinet (P), or glove holder cabinet (G)</i>		
A	arc pull	+\$13
K	bar pull	+\$13
T	tab pull	+\$29
P	profile pull	+\$29
C	curved pull	+\$26
N	no pull	+\$0
<i>For paper towel/glove holder combo cabinet (C)</i>		
N	no pull	+\$0
Step 10. Surface Material		
L	low-pressure laminate	+\$0
H	high-pressure laminate	+\$244
Step 11. Grain Direction		
HRG	horizontal grain	+\$0
VTG	vertical grain	+\$0

Overhead Storage *continued*

Mora™ Overhead Cabinets

Step 12. Finish

For low-pressure laminate (L)

76	light brown walnut	+\$0
8Q	folkstone grey	+\$0
91	white	+\$0
98	studio white	+\$0
CL	cool grey neutral	+\$0
HM	natural maple	+\$0
HP	light anigre	+\$0
HX	aged cherry	+\$0
HY	walnut on cherry	+\$0
LA	light ash	+\$0
LBA	clear on ash	+\$0
LBR	phantom ecru	+\$0
LBS	phantom cocoa	+\$0
LBU	medium matte walnut	+\$0
LBV	warm grey teak	+\$0
LBB	oak on ash	+\$0
LBC	walnut on ash	+\$0
LBD	dark brown walnut	+\$0
LBE	medium red walnut	+\$0
LBF	neutral twill	+\$0
LBG	sarum twill	+\$0
LBH	earthen twill	+\$0
LBJ	graphite twill	+\$0
LBK	pewter mesh	+\$0
LBL	steel mesh	+\$0
LBM	crisp linen	+\$0
LBN	classic linen	+\$0
LBP	casual linen	+\$0
LBQ	white twill	+\$0
LU	soft white	+\$0
WL	sandstone	+\$0
WN	warm grey neutral	+\$0

For high-pressure laminate (H)

76	light brown walnut	+\$0
8Q	folkstone grey	+\$0
91	white	+\$0
98	studio white	+\$0
CL	cool grey neutral	+\$0
HF	inner tone light	+\$0
HM	natural maple	+\$0
HP	light anigre	+\$0
HT	inner tone	+\$0
HX	aged cherry	+\$0

HY	walnut on cherry	+\$0
LA	light ash	+\$0
LBA	clear on ash	+\$0
LBR	phantom ecru	+\$0
LBS	phantom cocoa	+\$0
LBV	warm grey teak	+\$0
LBU	medium matte walnut	+\$0
LBB	oak on ash	+\$0
LBC	walnut on ash	+\$0
LBD	dark brown walnut	+\$0
LBE	medium red walnut	+\$0
LBF	neutral twill	+\$0
LBG	sarum twill	+\$0
LBH	earthen twill	+\$0
LBJ	graphite twill	+\$0
LBM	crisp linen	+\$0
LBN	classic linen	+\$0
LBP	casual linen	+\$0
LBQ	white twill	+\$0
LT	light tone	+\$0
LU	soft white	+\$0
MT	medium tone	+\$0
OG	honey maple	+\$0
OL	white oak (nonstandard)	+\$0
WL	sandstone	+\$0
WN	warm grey neutral	+\$0

Step 13. Pull Finish

For no pull (N)

NN	no pull finish	+\$0
-----------	----------------	------

For arc pull (A), tab pull (T), profile pull (P), or curved pull (C)

STD	standard finish	+\$0
------------	-----------------	------

For bar pull (K)

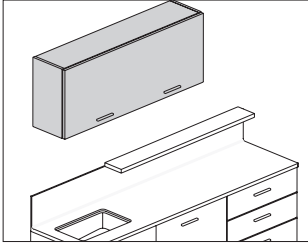
8Q	folkstone grey	+\$0
91	white	+\$0
98	studio white	+\$0
CN	metallic champagne	+\$0
G1	graphite	+\$0
MS	metallic silver	+\$0

Overhead Storage *continued*

Step 14. Grommet Finish

For paper towel/glove holder combo cabinet (C) or glove holder cabinet (G)

8Q	folkstone grey	+\$0
91	white	+\$0
CL	cool grey neutral	+\$0
WL	sandstone	+\$0
WN	warm grey neutral	+\$0



Mora™ Overhead Cabinets

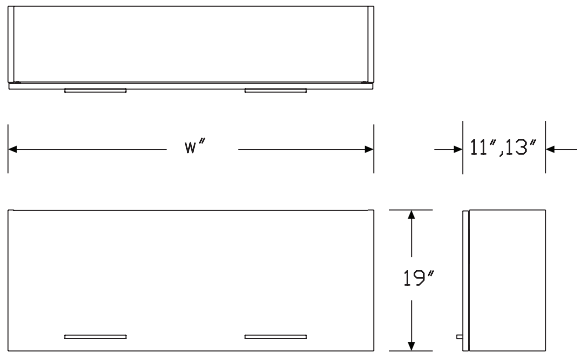
Product Information

Description
 These overhead cabinets attach to an architectural wall with a hanging cleat. They are available in several sizes and have a door that is hinged at the top and opens upward. Adjustable shelf included.

Notes

Overhead cabinets wider than 36" have vertical divider.
 Order the following products separately:
 • Hanging cleat (CH100.)
 • Ganging hardware (CH110.)

Dimensions



Specification Information

Step 1.

CH301.

Step 2. Height

19 19" high +\$938

Step 3. Width

30 30" wide +\$0

36 36" wide +\$77

48 48" wide +\$178

Step 4. Depth

11 11" deep +\$0

13 13" deep +\$0

Step 5. Storage Options

A awning door +\$0

Step 6. Location in Run

S standalone +\$0

M middle of run +\$0

L left end +\$0

R right end +\$0

Step 7. Lock Option

NL no lock +\$0

Step 8. Pull Type

A arc pull +\$13

K bar pull +\$13

T tab pull +\$29

P profile pull +\$29

C curved pull +\$26

N no pull +\$0

Step 9. Surface Material

L low-pressure laminate +\$0

H high-pressure laminate +\$244

Step 10. Grain Direction

HRG horizontal grain +\$0

VTG vertical grain +\$0

Awning Overhead Storage *continued*

Mora™ Overhead Cabinets

Step 11. Finish

For low-pressure laminate (L)

76	light brown walnut	+\$0
8Q	folkstone grey	+\$0
91	white	+\$0
98	studio white	+\$0
CL	cool grey neutral	+\$0
HM	natural maple	+\$0
HP	light anigre	+\$0
HX	aged cherry	+\$0
HY	walnut on cherry	+\$0
LA	light ash	+\$0
LBA	clear on ash	+\$0
LBR	phantom ecru	+\$0
LBS	phantom cocoa	+\$0
LBU	medium matte walnut	+\$0
LBV	warm grey teak	+\$0
LBB	oak on ash	+\$0
LBC	walnut on ash	+\$0
LBD	dark brown walnut	+\$0
LBE	medium red walnut	+\$0
LBF	neutral twill	+\$0
LBG	sarum twill	+\$0
LBH	earthen twill	+\$0
LBJ	graphite twill	+\$0
LBK	pewter mesh	+\$0
LBL	steel mesh	+\$0
LBM	crisp linen	+\$0
LBN	classic linen	+\$0
LBP	casual linen	+\$0
LBQ	white twill	+\$0
LU	soft white	+\$0
WL	sandstone	+\$0
WN	warm grey neutral	+\$0

For high-pressure laminate (H)

76	light brown walnut	+\$0
8Q	folkstone grey	+\$0
91	white	+\$0
98	studio white	+\$0
CL	cool grey neutral	+\$0
HF	inner tone light	+\$0
HM	natural maple	+\$0
HP	light anigre	+\$0
HT	inner tone	+\$0
HX	aged cherry	+\$0

HY	walnut on cherry	+\$0
LA	light ash	+\$0
LBA	clear on ash	+\$0
LBR	phantom ecru	+\$0
LBS	phantom cocoa	+\$0
LBV	warm grey teak	+\$0
LBU	medium matte walnut	+\$0
LBB	oak on ash	+\$0
LBC	walnut on ash	+\$0
LBD	dark brown walnut	+\$0
LBE	medium red walnut	+\$0
LBF	neutral twill	+\$0
LBG	sarum twill	+\$0
LBH	earthen twill	+\$0
LBJ	graphite twill	+\$0
LBM	crisp linen	+\$0
LBN	classic linen	+\$0
LBP	casual linen	+\$0
LBQ	white twill	+\$0
LT	light tone	+\$0
LU	soft white	+\$0
MT	medium tone	+\$0
OG	honey maple	+\$0
OL	white oak (nonstandard)	+\$0
WL	sandstone	+\$0
WN	warm grey neutral	+\$0

Step 12. Pull Finish

For no pull (N)

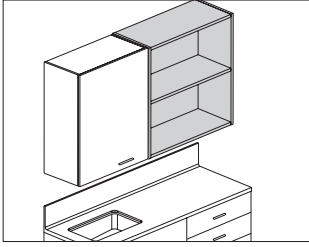
NN	no pull finish	+\$0
-----------	----------------	------

For arc pull (A), tab pull (T), profile pull (P), or curved pull (C)

STD	standard finish	+\$0
------------	-----------------	------

For bar pull (K)

8Q	folkstone grey	+\$0
91	white	+\$0
98	studio white	+\$0
CN	metallic champagne	+\$0
G1	graphite	+\$0
MS	metallic silver	+\$0



Product Information

Description

These open-shelf cabinets attach to an architectural wall with a hanging cleat. They are available in several sizes and have an adjustable shelf.

Notes

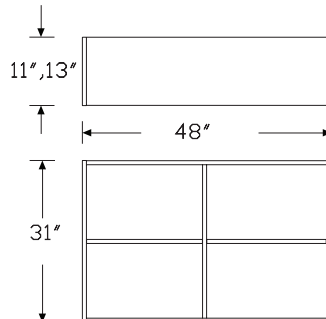
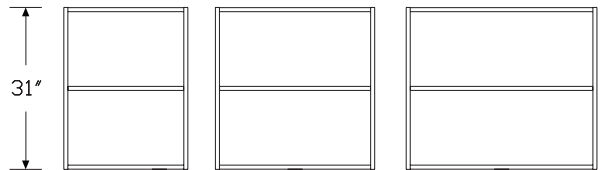
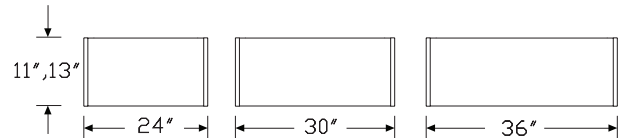
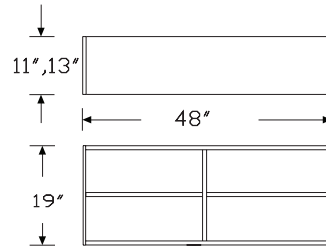
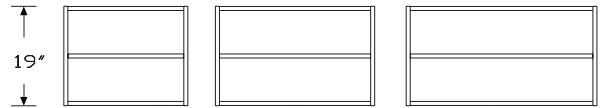
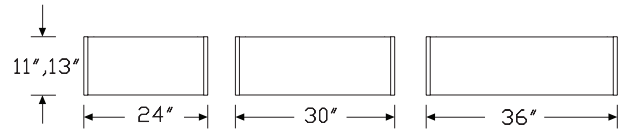
Cabinets wider than 36" have vertical divider.

Order the following products separately:

- Hanging cleat (CH100.)
- Ganging hardware (CH110.)

Mora™ Overhead Cabinets

Dimensions



Open Shelving Overheads *continued*

Specification Information		
Step 1.		
CH302.		
Step 2. Height		
19	19" high	+\$533
31	31" high	+\$583
Step 3. Width		
24	24" wide	-\$50
30	30" wide	+\$0
36	36" wide	+\$31
48	48" wide	+\$77
Step 4. Depth		
11	11" deep	+\$0
13	13" deep	+\$0
Step 5. Storage Options		
O	open shelves	+\$0
Step 6. Location in Run		
S	standalone	+\$0
M	middle of run	+\$0
L	left finished end	+\$0
R	right finished end	+\$0
Step 7. Surface Material		
L	low-pressure laminate	+\$0
H	high-pressure laminate	+\$203
Step 8. Grain Direction		
HRG	horizontal grain	+\$0
VTG	vertical grain	+\$0

Step 9. Finish		
<i>For low-pressure laminate (L)</i>		
76	light brown walnut	+\$0
8Q	folkstone grey	+\$0
91	white	+\$0
98	studio white	+\$0
CL	cool grey neutral	+\$0
HM	natural maple	+\$0
HP	light anigre	+\$0
HX	aged cherry	+\$0
HY	walnut on cherry	+\$0
LA	light ash	+\$0
LBA	clear on ash	+\$0
LBR	phantom ecru	+\$0
LBS	phantom cocoa	+\$0
LBU	medium matte walnut	+\$0
LBV	warm grey teak	+\$0
LBB	oak on ash	+\$0
LBC	walnut on ash	+\$0
LBD	dark brown walnut	+\$0
LBE	medium red walnut	+\$0
LBF	neutral twill	+\$0
LBG	sarum twill	+\$0
LBH	earthen twill	+\$0
LBJ	graphite twill	+\$0
LBK	pewter mesh	+\$0
LBL	steel mesh	+\$0
LBM	crisp linen	+\$0
LBN	classic linen	+\$0
LBP	casual linen	+\$0
LBQ	white twill	+\$0
LU	soft white	+\$0
WL	sandstone	+\$0
WN	warm grey neutral	+\$0
<i>For high-pressure laminate (H)</i>		
76	light brown walnut	+\$0
8Q	folkstone grey	+\$0
91	white	+\$0
98	studio white	+\$0
CL	cool grey neutral	+\$0
HF	inner tone light	+\$0
HM	natural maple	+\$0
HP	light anigre	+\$0
HT	inner tone	+\$0
HX	aged cherry	+\$0

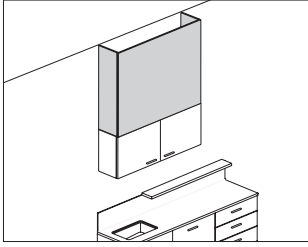
Open Shelving Overheads *continued*

Mora™ Overhead Cabinets

HY	walnut on cherry	+\$0
LA	light ash	+\$0
LBA	clear on ash	+\$0
LBR	phantom ecru	+\$0
LBS	phantom cocoa	+\$0
LBV	warm grey teak	+\$0
LBU	medium matte walnut	+\$0
LBB	oak on ash	+\$0
LBC	walnut on ash	+\$0
LBD	dark brown walnut	+\$0
LBE	medium red walnut	+\$0
LBF	neutral twill	+\$0
LBG	sarum twill	+\$0
LBH	earthen twill	+\$0
LBJ	graphite twill	+\$0
LBM	crisp linen	+\$0
LBN	classic linen	+\$0
LBP	casual linen	+\$0
LBQ	white twill	+\$0
LT	light tone	+\$0
LU	soft white	+\$0
MT	medium tone	+\$0
OG	honey maple	+\$0
OL	white oak (nonstandard)	+\$0
WL	sandstone	+\$0
WN	warm grey neutral	+\$0

Soffit

CH320.



Product Information

Description

This soffit sits on top of overhead storage cabinets to finish off the space between cabinet and ceiling. Soffit can span multiple cabinets. Attachment hardware included. Shipped knocked down.

Notes

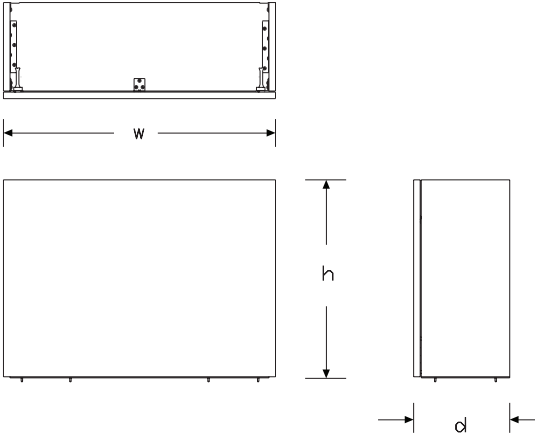
Order overhead storage cabinets separately.

Default ceiling height is 9' AFF.

23"-high (23) soffit to be used with 30"-high overhead cabinets. Soffit depth is 13".

35"-high (35) soffit to be used with 19"-high overhead cabinets. Soffit depth is 11".

Dimensions



Specification Information

Step 1.

CH320.

Step 2. Height

23	23" high	+\$690
35	35" high	+\$740

Step 3. Width

30	30" wide	+\$0
36	36" wide	+\$46
42	42" wide	+\$112
48	48" wide	+\$173
54	54" wide	+\$244
60	60" wide	+\$305
66	66" wide	+\$375
72	72" wide	+\$436

Step 4. Depth of Overhead Cabinets

For 35" high (35)

11	11" deep	+\$0
-----------	----------	------

For 23" high (23)

13	13" deep	+\$0
-----------	----------	------

Step 5. Material

H	high-pressure laminate	+\$244
L	low-pressure laminate	+\$0

Step 6. Grain Direction

For 30" wide (30), 36" wide (36), 42" wide (42), 48" wide (48), 54" wide (54), or 60" wide (60)

HRG	horizontal grain	+\$0
VTG	vertical grain	+\$0

For 66" wide (66) or 72" wide (72)

HRG	horizontal grain	+\$0
------------	------------------	------

Step 7. Finish

For low-pressure laminate (L)

76	light brown walnut	+\$0
8Q	folkstone grey	+\$0
91	white	+\$0
98	studio white	+\$0
CL	cool grey neutral	+\$0
HM	natural maple	+\$0
HP	light anigre	+\$0
HX	aged cherry	+\$0
HY	walnut on cherry	+\$0
LA	light ash	+\$0
LBA	clear on ash	+\$0
LBB	oak on ash	+\$0
LBC	walnut on ash	+\$0
LBD	dark brown walnut	+\$0
LBE	medium red walnut	+\$0
LBF	neutral twill	+\$0
LBG	sarum twill	+\$0
LBH	earthen twill	+\$0
LBJ	graphite twill	+\$0
LBK	pewter mesh	+\$0
LBL	steel mesh	+\$0
LBM	crisp linen	+\$0
LBN	classic linen	+\$0
LBP	casual linen	+\$0
LBQ	white twill	+\$0
LBR	phantom ecru	+\$0
LBS	phantom cocoa	+\$0
LBU	medium matte walnut	+\$0
LBV	warm grey teak	+\$0
LU	soft white	+\$0
WL	sandstone	+\$0
WN	warm grey neutral	+\$0

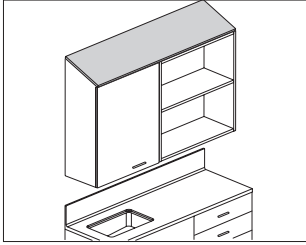
For high-pressure laminate (H)

76	light brown walnut	+\$0
8Q	folkstone grey	+\$0
91	white	+\$0
98	studio white	+\$0
CL	cool grey neutral	+\$0
HF	inner tone light	+\$0
HM	natural maple	+\$0
HP	light anigre	+\$0
HT	inner tone	+\$0
HX	aged cherry	+\$0

HY	walnut on cherry	+\$0
LA	light ash	+\$0
LBA	clear on ash	+\$0
LBB	oak on ash	+\$0
LBC	walnut on ash	+\$0
LBD	dark brown walnut	+\$0
LBE	medium red walnut	+\$0
LBF	neutral twill	+\$0
LBG	sarum twill	+\$0
LBH	earthen twill	+\$0
LBJ	graphite twill	+\$0
LBM	crisp linen	+\$0
LBN	classic linen	+\$0
LBP	casual linen	+\$0
LBQ	white twill	+\$0
LBR	phantom ecru	+\$0
LBS	phantom cocoa	+\$0
LBU	medium matte walnut	+\$0
LBV	warm grey teak	+\$0
LT	light tone	+\$0
LU	soft white	+\$0
MT	medium tone	+\$0
OG	honey maple	+\$0
WL	sandstone	+\$0
WN	warm grey neutral	+\$0

Sloped Top Panel

CH315.



Product Information

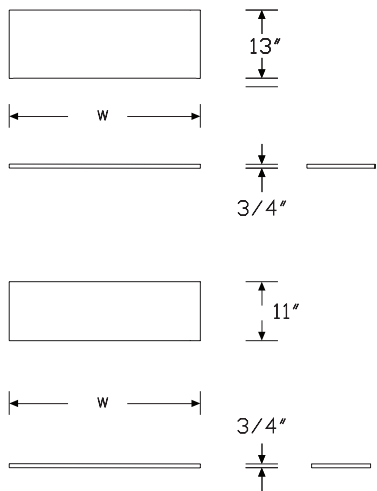
Description

This panel attaches to an overhead storage cabinet to finish the sloped top. Panel can span multiple overhead storage cabinets.

Notes

Order sloped top overhead storage cabinets (CH310., CH311., CH312.) separately.

Dimensions



Specification Information

Step 1.

CH315.

Step 2. Width

18	18" wide	+\$107
24	24" wide	+\$112
30	30" wide	+\$127
36	36" wide	+\$142
42	42" wide	+\$158
48	48" wide	+\$173
54	54" wide	+\$193
60	60" wide	+\$208
66	66" wide	+\$234
72	72" wide	+\$249

Step 3. Depth

11	11" deep	+\$0
13	13" deep	+\$0

Step 4. Material

H	high-pressure laminate	+\$127
L	low-pressure laminate	+\$0

Step 5. Grain Direction

For 18" wide (18), 24" wide (24), 30" wide (30), 36" wide (36), 42" wide (42), 48" wide (48), 54" wide (54), or 60" wide (60)

HRG	horizontal grain A	+\$0
VTG	vertical grain	+\$0

For 66" wide (66) or 72" wide (72)

HRG	horizontal grain	+\$0
------------	------------------	------

Mora™ Overhead Cabinets

Sloped Top Panel *continued*

Mora™ Overhead Cabinets

Step 6. Finish

For low-pressure laminate (L)

76	light brown walnut	+\$0
8Q	folkstone grey	+\$0
91	white	+\$0
98	studio white	+\$0
CL	cool grey neutral	+\$0
HM	natural maple	+\$0
HP	light anigre	+\$0
HX	aged cherry	+\$0
HY	walnut on cherry	+\$0
LA	light ash	+\$0
LBA	clear on ash	+\$0
LBR	phantom ecru	+\$0
LBS	phantom cocoa	+\$0
LBU	medium matte walnut	+\$0
LBV	warm grey teak	+\$0
LBB	oak on ash	+\$0
LBC	walnut on ash	+\$0
LBD	dark brown walnut	+\$0
LBE	medium red walnut	+\$0
LBF	neutral twill	+\$0
LBG	sarum twill	+\$0
LBH	earthen twill	+\$0
LBJ	graphite twill	+\$0
LBK	pewter mesh	+\$0
LBL	steel mesh	+\$0
LBM	crisp linen	+\$0
LBN	classic linen	+\$0
LBP	casual linen	+\$0
LBQ	white twill	+\$0
LU	soft white	+\$0
WL	sandstone	+\$0
WN	warm grey neutral	+\$0

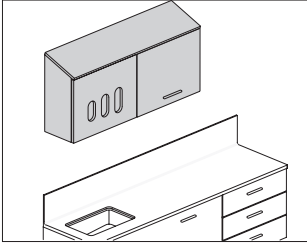
For high-pressure laminate (H)

76	light brown walnut	+\$0
8Q	folkstone grey	+\$0
91	white	+\$0
98	studio white	+\$0
CL	cool grey neutral	+\$0
HF	inner tone light	+\$0
HM	natural maple	+\$0
HP	light anigre	+\$0
HT	inner tone	+\$0
HX	aged cherry	+\$0

HY	walnut on cherry	+\$0
LA	light ash	+\$0
LBA	clear on ash	+\$0
LBR	phantom ecru	+\$0
LBS	phantom cocoa	+\$0
LBU	medium matte walnut	+\$0
LBV	warm grey teak	+\$0
LBB	oak on ash	+\$0
LBC	walnut on ash	+\$0
LBD	dark brown walnut	+\$0
LBE	medium red walnut	+\$0
LBF	neutral twill	+\$0
LBG	sarum twill	+\$0
LBH	earthen twill	+\$0
LBJ	graphite twill	+\$0
LBM	crisp linen	+\$0
LBN	classic linen	+\$0
LBP	casual linen	+\$0
LBQ	white twill	+\$0
LT	light tone	+\$0
LU	soft white	+\$0
MT	medium tone	+\$0
OG	honey maple	+\$0
WL	sandstone	+\$0
WN	warm grey neutral	+\$0

Sloped Top Overhead Storage

CH310.



Product Information

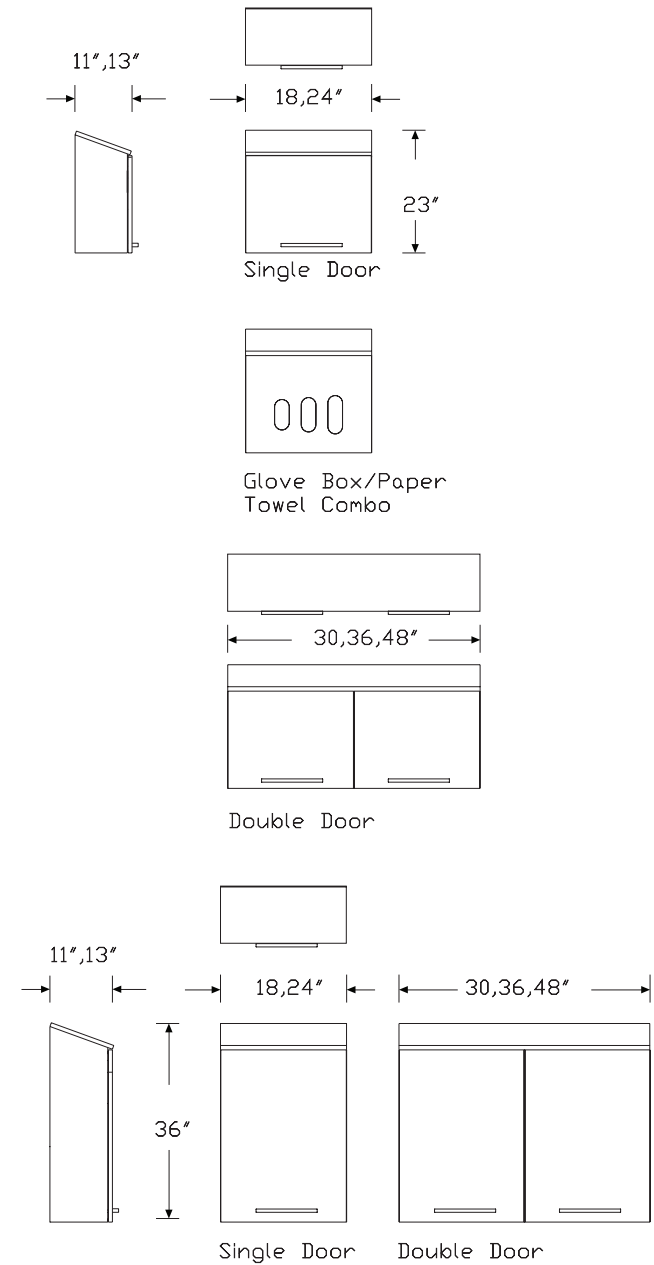
Description

These overhead storage cabinets attach to an architectural wall with a hanging cleat. They are available in several sizes and storage configurations. All storage options include an adjustable shelf.

Notes

- Order sloped top panel (CH315.) separately.
- Order hanging cleat (CH100.) separately.
- Overhead cabinets wider than 36" have vertical divider.
- When specifying paper towel cabinet (P) or paper towel/glove holder combo cabinet (C), paper towel dispenser is field supplied.
- For keyed-alike locks, order lock plugs separately.

Dimensions



Mora™ Overhead Cabinets

Sloped Top Overhead Storage

continued

Mora™ Overhead Cabinets

Specification Information

Step 1.
CH310.

Step 2. Height

23	23" high	+\$622
36	36" high	+\$741

Step 3. Width

18	18" wide	-\$25
24	24" wide	+\$0
30	30" wide	+\$132
36	36" wide	+\$173
48	48" wide	+\$305

Step 4. Depth

11	11" deep	+\$0
13	13" deep	+\$0

Step 5. Storage Options

For 23" high (23) with 18" wide (18) or 24" wide (24)

S	single door	+\$0
C	paper towel/glove holder combo cabinet	+\$153
P	paper towel cabinet	+\$0
G	glove holder cabinet	+\$153

For 36" high (36) with 18" wide (18) or 24" wide (24)

S	single door	+\$0
P	paper towel cabinet	+\$0

For 23" high (23) or 36" high (36) with 30" wide (30), 36" wide (36), or 48" wide (48)

D	double door	+\$0
----------	-------------	------

Step 6. Location in Run

S	standalone	+\$0
M	middle of run	+\$0
L	left end	+\$0
R	right end	+\$0

Step 7. Door Hinge Location

For single door (S), paper towel/glove holder combo cabinet (C), paper towel cabinet (P), or glove holder cabinet (G)

L	left	+\$0
R	right	+\$0

For double door (D)

S	default	+\$0
----------	---------	------

Step 8. Lock Option

For double door (D) or single door (S)

NL	no lock	+\$0
KA	keyed lock, keyed alike	+\$61
KC	keyed lock, keyed differently, chrome	+\$61
KD	keyed lock, keyed differently, black	+\$61
KP	keyless lock	+\$279

For paper towel/glove holder combo cabinet (C), paper towel cabinet (P), or glove holder cabinet (G)

NL	no lock	+\$0
-----------	---------	------

Step 9. Pull Type

A	arc pull	+\$13
K	bar pull	+\$13
T	tab pull	+\$29
P	profile pull	+\$29
C	curved pull	+\$26
N	no pull	+\$0

Step 10. Surface Material

L	low-pressure laminate	+\$0
H	high-pressure laminate	+\$244

Step 11. Grain Direction

HRG	horizontal grain	+\$0
VTG	vertical grain	+\$0

Sloped Top Overhead Storage

continued

Step 12. Finish

For low-pressure laminate (L)

76	light brown walnut	+\$0
8Q	folkstone grey	+\$0
91	white	+\$0
98	studio white	+\$0
CL	cool grey neutral	+\$0
HM	natural maple	+\$0
HP	light anigre	+\$0
HX	aged cherry	+\$0
HY	walnut on cherry	+\$0
LA	light ash	+\$0
LBA	clear on ash	+\$0
LBR	phantom ecru	+\$0
LBS	phantom cocoa	+\$0
LBU	medium matte walnut	+\$0
LBV	warm grey teak	+\$0
LBB	oak on ash	+\$0
LBC	walnut on ash	+\$0
LBD	dark brown walnut	+\$0
LBE	medium red walnut	+\$0
LBF	neutral twill	+\$0
LBG	sarum twill	+\$0
LBH	earthen twill	+\$0
LBJ	graphite twill	+\$0
LBK	pewter mesh	+\$0
LBL	steel mesh	+\$0
LBM	crisp linen	+\$0
LBN	classic linen	+\$0
LBP	casual linen	+\$0
LBQ	white twill	+\$0
LU	soft white	+\$0
WL	sandstone	+\$0
WN	warm grey neutral	+\$0

For high-pressure laminate (H)

76	light brown walnut	+\$0
8Q	folkstone grey	+\$0
91	white	+\$0
98	studio white	+\$0
CL	cool grey neutral	+\$0
HF	inner tone light	+\$0
HM	natural maple	+\$0
HP	light anigre	+\$0
HT	inner tone	+\$0
HX	aged cherry	+\$0

HY	walnut on cherry	+\$0
LA	light ash	+\$0
LBA	clear on ash	+\$0
LBR	phantom ecru	+\$0
LBS	phantom cocoa	+\$0
LBV	warm grey teak	+\$0
LBU	medium matte walnut	+\$0
LBB	oak on ash	+\$0
LBC	walnut on ash	+\$0
LBD	dark brown walnut	+\$0
LBE	medium red walnut	+\$0
LBF	neutral twill	+\$0
LBG	sarum twill	+\$0
LBH	earthen twill	+\$0
LBJ	graphite twill	+\$0
LBM	crisp linen	+\$0
LBN	classic linen	+\$0
LBP	casual linen	+\$0
LBQ	white twill	+\$0
LT	light tone	+\$0
LU	soft white	+\$0
MT	medium tone	+\$0
OG	honey maple	+\$0
OL	white oak (nonstandard)	+\$0
WL	sandstone	+\$0
WN	warm grey neutral	+\$0

Step 13. Pull Finish

For no pull (N)

NN	no pull finish	+\$0
-----------	----------------	------

For arc pull (A), tab pull (T), profile pull (P), or curved pull (C)

STD	standard finish	+\$0
------------	-----------------	------

For bar pull (K)

98	studio white	+\$0
8Q	folkstone grey	+\$0
91	white	+\$0
CN	metallic champagne	+\$0
G1	graphite	+\$0
MS	metallic silver	+\$0

Sloped Top Overhead Storage

continued

Step 14. Grommet Finish

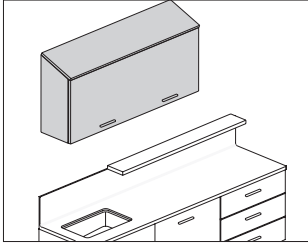
For paper towel/glove holder combo cabinet (C) or glove holder cabinet (G)

8Q	folkstone grey	+\$0
91	white	+\$0
CL	cool grey neutral	+\$0
WL	sandstone	+\$0
WN	warm grey neutral	+\$0

Mora™ Overhead Cabinets

Sloped Top Awning Overhead Storage

CH311.



Product Information

Description

These overhead storage cabinets attach to an architectural wall with a hanging cleat. Cabinet includes an adjustable shelf.

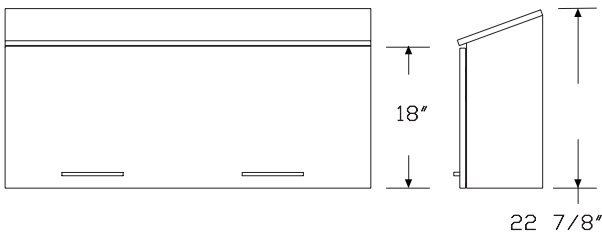
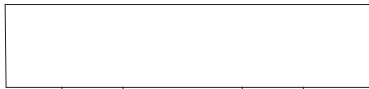
Notes

Order the following products separately:

- Hanging cleat (CH100.)
- Ganging hardware (CH110.)

Overhead cabinets wider than 36" have vertical divider.

Dimensions



Specification Information

Step 1.

CH311.

Step 2. Height

23 23" high +\$1050

Step 3. Width

30 30" wide +\$0

36 36" wide +\$77

48 48" wide +\$178

Step 4. Depth

11 11" deep +\$0

13 13" deep +\$0

Step 5. Storage Options

A awning door +\$0

Step 6. Location in Run

S standalone +\$0

M middle of run +\$0

L left end +\$0

R right end +\$0

Step 7. Lock Option

NL no lock +\$0

Step 8. Pull Type

A arc pull +\$13

K bar pull +\$13

T tab pull +\$29

P profile pull +\$29

C curved pull +\$26

N no pull +\$0

Step 9. Surface Material

L low-pressure laminate +\$0

H high-pressure laminate +\$244

Step 10. Grain Direction

HRG horizontal grain +\$0

VTG vertical grain +\$0

Sloped Top Awning Overhead Storage *continued*

Mora™ Overhead Cabinets

Step 11. Finish

For low-pressure laminate (L)

76	light brown walnut	+\$0
8Q	folkstone grey	+\$0
91	white	+\$0
98	studio white	+\$0
CL	cool grey neutral	+\$0
HM	natural maple	+\$0
HP	light anigre	+\$0
HX	aged cherry	+\$0
HY	walnut on cherry	+\$0
LA	light ash	+\$0
LBA	clear on ash	+\$0
LBR	phantom ecru	+\$0
LBS	phantom cocoa	+\$0
LBU	medium matte walnut	+\$0
LBV	warm grey teak	+\$0
LBB	oak on ash	+\$0
LBC	walnut on ash	+\$0
LBD	dark brown walnut	+\$0
LBE	medium red walnut	+\$0
LBF	neutral twill	+\$0
LBG	sarum twill	+\$0
LBH	earthen twill	+\$0
LBJ	graphite twill	+\$0
LBK	pewter mesh	+\$0
LBL	steel mesh	+\$0
LBM	crisp linen	+\$0
LBN	classic linen	+\$0
LBP	casual linen	+\$0
LBQ	white twill	+\$0
LU	soft white	+\$0
WL	sandstone	+\$0
WN	warm grey neutral	+\$0

For high-pressure laminate (H)

76	light brown walnut	+\$0
8Q	folkstone grey	+\$0
91	white	+\$0
98	studio white	+\$0
CL	cool grey neutral	+\$0
HF	inner tone light	+\$0
HM	natural maple	+\$0
HP	light anigre	+\$0
HT	inner tone	+\$0
HX	aged cherry	+\$0

HY	walnut on cherry	+\$0
LA	light ash	+\$0
LBA	clear on ash	+\$0
LBR	phantom ecru	+\$0
LBS	phantom cocoa	+\$0
LBV	warm grey teak	+\$0
LBU	medium matte walnut	+\$0
LBB	oak on ash	+\$0
LBC	walnut on ash	+\$0
LBD	dark brown walnut	+\$0
LBE	medium red walnut	+\$0
LBF	neutral twill	+\$0
LBG	sarum twill	+\$0
LBH	earthen twill	+\$0
LBJ	graphite twill	+\$0
LBM	crisp linen	+\$0
LBN	classic linen	+\$0
LBP	casual linen	+\$0
LBQ	white twill	+\$0
LT	light tone	+\$0
LU	soft white	+\$0
MT	medium tone	+\$0
OG	honey maple	+\$0
OL	white oak (nonstandard)	+\$0
WL	sandstone	+\$0
WN	warm grey neutral	+\$0

Step 12. Pull Finish

For no pull (N)

NN	no pull finish	+\$0
-----------	----------------	------

For arc pull (A), tab pull (T), profile pull (P), or curved pull (C)

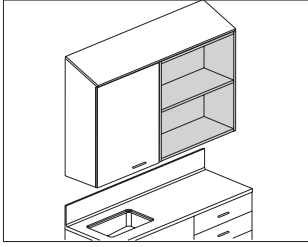
STD	standard finish	+\$0
------------	-----------------	------

For bar pull (K)

98	studio white	+\$0
8Q	folkstone grey	+\$0
91	white	+\$0
G1	graphite	+\$0
CN	metallic champagne	+\$0
MS	metallic silver	+\$0

Sloped Top Open Shelving Overheads

CH312.



Product Information

Description

These open-shelf overhead storage cabinets attach to an architectural wall with a hanging cleat. Cabinet includes an adjustable shelf.

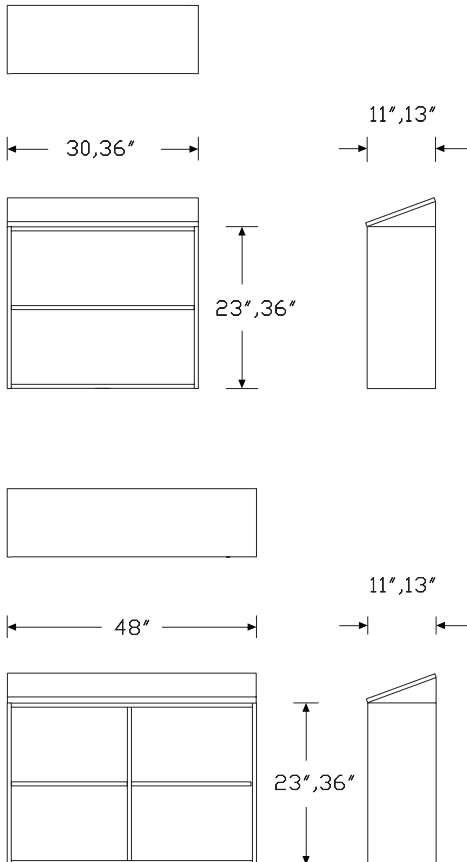
Notes

Order the following products separately:

- Hanging cleat (CH100.)
- Ganging hardware (CH110.)

Overhead cabinets wider than 36" have vertical divider.

Dimensions



Specification Information

Step 1.

CH312.

Step 2. Height

23	23" high	+\$609
36	36" high	+\$653

Step 3. Width

30	30" wide	+\$0
36	36" wide	+\$31
48	48" wide	+\$77

Step 4. Depth

11	11" deep	+\$0
13	13" deep	+\$0

Step 5. Storage Options

O	open shelves	+\$0
----------	--------------	------

Step 6. Location in Run

S	standalone	+\$0
M	middle of run	+\$0
L	left finished end	+\$0
R	right finished end	+\$0

Step 7. Surface Material

L	low-pressure laminate	+\$0
H	high-pressure laminate	+\$203

Step 8. Grain Direction

HRG	horizontal grain	+\$0
VTG	vertical grain	+\$0

Sloped Top Open Shelving Overheads *continued*

Mora™ Overhead Cabinets

Step 9. Finish

For low-pressure laminate (L)

76	light brown walnut	+\$0
8Q	folkstone grey	+\$0
91	white	+\$0
98	studio white	+\$0
CL	cool grey neutral	+\$0
HM	natural maple	+\$0
HP	light anigre	+\$0
HX	aged cherry	+\$0
HY	walnut on cherry	+\$0
LA	light ash	+\$0
LBA	clear on ash	+\$0
LBR	phantom ecru	+\$0
LBS	phantom cocoa	+\$0
LBU	medium matte walnut	+\$0
LBV	warm grey teak	+\$0
LBB	oak on ash	+\$0
LBC	walnut on ash	+\$0
LBD	dark brown walnut	+\$0
LBE	medium red walnut	+\$0
LBF	neutral twill	+\$0
LBG	sarum twill	+\$0
LBH	earthen twill	+\$0
LBJ	graphite twill	+\$0
LBK	pewter mesh	+\$0
LBL	steel mesh	+\$0
LBM	crisp linen	+\$0
LBN	classic linen	+\$0
LBP	casual linen	+\$0
LBQ	white twill	+\$0
LU	soft white	+\$0
WL	sandstone	+\$0
WN	warm grey neutral	+\$0

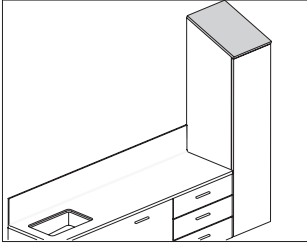
HY	walnut on cherry	+\$0
LA	light ash	+\$0
LBA	clear on ash	+\$0
LBR	phantom ecru	+\$0
LBS	phantom cocoa	+\$0
LBV	warm grey teak	+\$0
LBU	medium matte walnut	+\$0
LBB	oak on ash	+\$0
LBC	walnut on ash	+\$0
LBD	dark brown walnut	+\$0
LBE	medium red walnut	+\$0
LBF	neutral twill	+\$0
LBG	sarum twill	+\$0
LBH	earthen twill	+\$0
LBJ	graphite twill	+\$0
LBM	crisp linen	+\$0
LBN	classic linen	+\$0
LBP	casual linen	+\$0
LBQ	white twill	+\$0
LT	light tone	+\$0
LU	soft white	+\$0
MT	medium tone	+\$0
OL	white oak (nonstandard)	+\$0
WL	sandstone	+\$0
WN	warm grey neutral	+\$0

For high-pressure laminate (H)

76	light brown walnut	+\$0
8Q	folkstone grey	+\$0
91	white	+\$0
98	studio white	+\$0
CL	cool grey neutral	+\$0
HF	inner tone light	+\$0
HM	natural maple	+\$0
HP	light anigre	+\$0
HT	inner tone	+\$0
HX	aged cherry	+\$0

Tower Sloped Top Panel

CH316.



Product Information

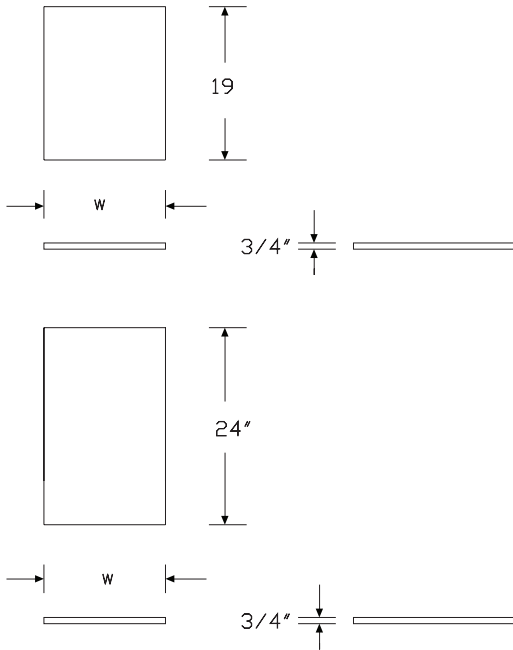
Description

This top panel attaches to and finishes a sloped-top tower cabinet.

Notes

Order sloped top tower cabinets separately.

Dimensions



Specification Information

Step 1.

CH316. A

Step 2. Width

15	15" wide	<input type="checkbox"/> A	+\$132
30	30" wide	<input type="checkbox"/> A	+\$173
45	45" wide	<input type="checkbox"/> A	+\$213
60	60" wide	<input type="checkbox"/> A	+\$254
75	75" wide	<input type="checkbox"/> A	+\$294

Step 3. Depth

19	19" deep	<input type="checkbox"/> A	+\$0
24	24" deep	<input type="checkbox"/> A	+\$26

Step 4. Material

H	high-pressure laminate	<input type="checkbox"/> A	+\$127
L	low-pressure laminate	<input type="checkbox"/> A	+\$0

Step 5. Grain Direction

For 15" wide (15), 30" wide (30), 45" wide (45), or 60" wide (60)

HRG	horizontal grain	<input type="checkbox"/> A	+\$0
VTG	vertical grain	<input type="checkbox"/> A	+\$0

For 75" wide (75)

HRG	horizontal grain	<input type="checkbox"/> A	+\$0
------------	------------------	----------------------------	------

Tower Sloped Top Panel *continued*

Mora™ Overhead Cabinets

Step 6. Finish

For low-pressure laminate (L)

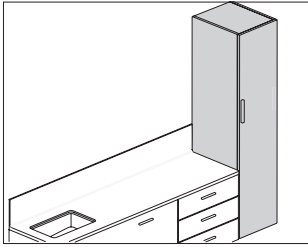
76	light brown walnut <input type="checkbox"/>	+\$0
8Q	folkstone grey <input type="checkbox"/>	+\$0
91	white <input type="checkbox"/>	+\$0
98	studio white <input type="checkbox"/>	+\$0
CL	cool grey neutral <input type="checkbox"/>	+\$0
HM	natural maple <input type="checkbox"/>	+\$0
HP	light anigre <input type="checkbox"/>	+\$0
HX	aged cherry <input type="checkbox"/>	+\$0
HY	walnut on cherry <input type="checkbox"/>	+\$0
LA	light ash <input type="checkbox"/>	+\$0
LBA	clear on ash <input type="checkbox"/>	+\$0
LBB	oak on ash <input type="checkbox"/>	+\$0
LBC	walnut on ash <input type="checkbox"/>	+\$0
LBD	dark brown walnut <input type="checkbox"/>	+\$0
LBE	medium red walnut <input type="checkbox"/>	+\$0
LBF	neutral twill <input type="checkbox"/>	+\$0
LBG	sarum twill <input type="checkbox"/>	+\$0
LBH	earthen twill <input type="checkbox"/>	+\$0
LBJ	graphite twill <input type="checkbox"/>	+\$0
LBK	pewter mesh <input type="checkbox"/>	+\$0
LBL	steel mesh <input type="checkbox"/>	+\$0
LBM	crisp linen <input type="checkbox"/>	+\$0
LBN	classic linen <input type="checkbox"/>	+\$0
LBP	casual linen <input type="checkbox"/>	+\$0
LBQ	white twill <input type="checkbox"/>	+\$0
LBR	phantom ecru <input type="checkbox"/>	+\$0
LBS	phantom cocoa <input type="checkbox"/>	+\$0
LBU	medium matte walnut <input type="checkbox"/>	+\$0
LBV	warm grey teak <input type="checkbox"/>	+\$0
LU	soft white <input type="checkbox"/>	+\$0
WL	sandstone <input type="checkbox"/>	+\$0
WN	warm grey neutral <input type="checkbox"/>	+\$0

For high-pressure laminate (H)

LBR	phantom ecru <input type="checkbox"/>	+\$0
LBS	phantom cocoa <input type="checkbox"/>	+\$0
LBV	warm grey teak <input type="checkbox"/>	+\$0
76	light brown walnut <input type="checkbox"/>	+\$0
8Q	folkstone grey <input type="checkbox"/>	+\$0
91	white <input type="checkbox"/>	+\$0
98	studio white <input type="checkbox"/>	+\$0
CL	cool grey neutral <input type="checkbox"/>	+\$0
HF	inner tone light <input type="checkbox"/>	+\$0
HM	natural maple <input type="checkbox"/>	+\$0
HP	light anigre <input type="checkbox"/>	+\$0
HT	inner tone <input type="checkbox"/>	+\$0
HX	aged cherry <input type="checkbox"/>	+\$0
HY	walnut on cherry <input type="checkbox"/>	+\$0
LA	light ash <input type="checkbox"/>	+\$0
LBA	clear on ash <input type="checkbox"/>	+\$0
LBB	oak on ash <input type="checkbox"/>	+\$0
LBC	walnut on ash <input type="checkbox"/>	+\$0
LBD	dark brown walnut <input type="checkbox"/>	+\$0
LBE	medium red walnut <input type="checkbox"/>	+\$0
LBF	neutral twill <input type="checkbox"/>	+\$0
LBG	sarum twill <input type="checkbox"/>	+\$0
LBH	earthen twill <input type="checkbox"/>	+\$0
LBJ	graphite twill <input type="checkbox"/>	+\$0
LBM	crisp linen <input type="checkbox"/>	+\$0
LBN	classic linen <input type="checkbox"/>	+\$0
LBP	casual linen <input type="checkbox"/>	+\$0
LBQ	white twill <input type="checkbox"/>	+\$0
LBU	medium matte walnut <input type="checkbox"/>	+\$0
LT	light tone <input type="checkbox"/>	+\$0
LU	soft white <input type="checkbox"/>	+\$0
MT	medium tone <input type="checkbox"/>	+\$0
WL	sandstone <input type="checkbox"/>	+\$0
WN	warm grey neutral <input type="checkbox"/>	+\$0

Wall-Mounted Door Towers

CH400.



Product Information

Description

The wall-mounted door towers attach to an architectural wall with a cleat. The towers provide easy access to storage or house gloves and trash. The trash tower is designed for a 10-gallon waste bin. The door towers have 2 adjustable shelves. The door tower shares a lower cleat with the adjacent product, and comes with 1 additional 15"-wide cleat to mount on the top location (separate 15"-wide cleat not included). Glove box holders are included but field installed.

Notes

When specifying side trash/glove access with interior shelving (T), waste bin not included. See Planning Guide for recommendations.

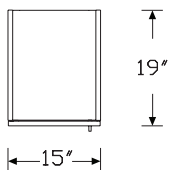
When specifying woodgrain laminate, grain direction is always vertical.

For keyed-alike locks, order lock plugs separately.

Order the following products separately:

- Hanging cleat (CH100.15)
- Ganging hardware (CH110.)

Dimensions

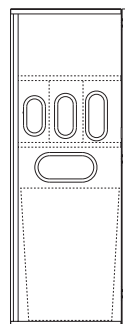
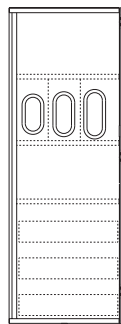
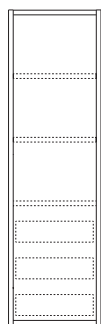
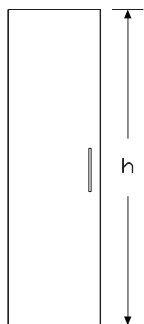


Shelves/
Drawers

Shelves/
Drawers

Gloves/
Drawers

Gloves/
Trash



Front

Side

Side

Specification Information

Step 1.

CH400.

Step 2. Width

15 15" wide +\$1673

Step 3. Depth

19 19" deep +\$0

Step 4. Height (off finished floor)

66 66" high +\$0

74 74" high +\$87

Step 5. Storage Options

G glove access and 3 pullout drawers +\$416

S shelves and 3 pullout drawers +\$264

T side trash/glove access with interior shelving +\$0

Step 6. Location in Run and Features

L left end, right handed +\$0

R right end, left handed +\$0

S standalone, left handed +\$0

T standalone, right handed +\$0

Step 7. Door Hinge Location

L left-hinged door +\$0

R right-hinged door +\$0

Step 8. Lock Option

KA keyed lock, keyed alike +\$61

KC keyed lock, keyed differently, chrome +\$61

KD keyed lock, keyed differently, black +\$61

KP keyless lock +\$279

NL no lock +\$0

Step 9. Pull Type

A arc pull +\$13

C curved pull +\$26

K bar pull +\$13

N no pull +\$0

P profile pull +\$29

T tab pull +\$29

Step 10. Surface Material

H high-pressure laminate +\$305

L low-pressure laminate +\$0

Mora™ Towers

Wall-Mounted Door Towers *continued*

Mora™ Towers

Step 11. Finish

For low-pressure laminate (L)

76	light brown walnut	+\$0
8Q	folkstone grey	+\$0
91	white	+\$0
98	studio white	+\$0
CL	cool grey neutral	+\$0
HM	natural maple	+\$0
HP	light anigre	+\$0
HX	aged cherry	+\$0
HY	walnut on cherry	+\$0
LA	light ash	+\$0
LBA	clear on ash	+\$0
LBR	phantom ecru	+\$0
LBS	phantom cocoa	+\$0
LBU	medium matte walnut	+\$0
LBV	warm grey teak	+\$0
LBB	oak on ash	+\$0
LBC	walnut on ash	+\$0
LBD	dark brown walnut	+\$0
LBE	medium red walnut	+\$0
LBF	neutral twill	+\$0
LBG	sarum twill	+\$0
LBH	earthen twill	+\$0
LBJ	graphite twill	+\$0
LBK	pewter mesh	+\$0
LBL	steel mesh	+\$0
LBM	crisp linen	+\$0
LBN	classic linen	+\$0
LBP	casual linen	+\$0
LBQ	white twill	+\$0
LU	soft white	+\$0
WL	sandstone	+\$0
WN	warm grey neutral	+\$0

For high-pressure laminate (H)

76	light brown walnut	+\$0
8Q	folkstone grey	+\$0
91	white	+\$0
98	studio white	+\$0
CL	cool grey neutral	+\$0
HF	inner tone light	+\$0
HM	natural maple	+\$0
HP	light anigre	+\$0
HT	inner tone	+\$0
HX	aged cherry	+\$0

HY	walnut on cherry	+\$0
LA	light ash	+\$0
LBA	clear on ash	+\$0
LBR	phantom ecru	+\$0
LBS	phantom cocoa	+\$0
LBU	medium matte walnut	+\$0
LBV	warm grey teak	+\$0
LBB	oak on ash	+\$0
LBC	walnut on ash	+\$0
LBD	dark brown walnut	+\$0
LBE	medium red walnut	+\$0
LBF	neutral twill	+\$0
LBG	sarum twill	+\$0
LBH	earthen twill	+\$0
LBJ	graphite twill	+\$0
LBM	crisp linen	+\$0
LBN	classic linen	+\$0
LBP	casual linen	+\$0
LBQ	white twill	+\$0
LT	light tone	+\$0
LU	soft white	+\$0
MT	medium tone	+\$0
OG	honey maple	+\$0
WL	sandstone	+\$0
WN	warm grey neutral	+\$0

Step 12. Pull Finish

For no pull (N)

NN	no pull finish	+\$0
-----------	----------------	------

For arc pull (A), curved pull (C), profile pull (P), or tab pull (T)

STD	standard finish	+\$0
------------	-----------------	------

For bar pull (K)

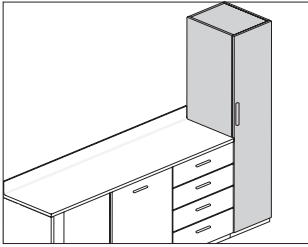
8Q	folkstone grey	+\$0
91	white	+\$0
98	studio white	+\$0
CN	metallic champagne	+\$0
G1	graphite	+\$0
MS	metallic silver	+\$0

Wall-Mounted Door Towers *continued*

Step 13. Grommet Finish

For glove access and 3 pullout drawers (G) or side trash/glove access with interior shelving (T)

8Q	folkstone grey	+\$0
91	white	+\$0
CL	cool grey neutral	+\$0
WL	sandstone	+\$0
WN	warm grey neutral	+\$0



Product Information

Description

These towers sit on a plinth base with 1½" adjustable glides. They provide storage, easy access to gloves, and trash solutions. Towers with trash access are designed to hold a 10-gallon waste bin.

Notes

When specifying side glove and front trash access with interior shelving (C) or front trash access with interior shelving (T), waste bin not included. See Planning Guide for recommendations.

When specifying woodgrain laminate, grain direction is always vertical.

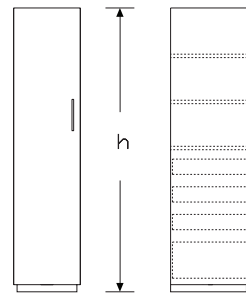
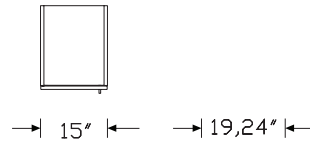
For keyed-alike locks, order lock plugs separately.

Order the following products separately:

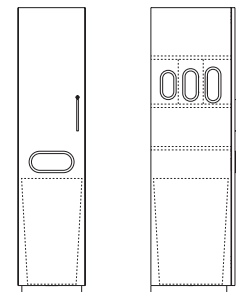
- Plinth base (CH250. or CH255.)
- Ganging hardware (CH110.)

Mora™ Towers

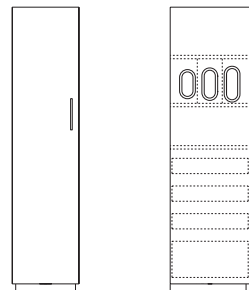
Dimensions



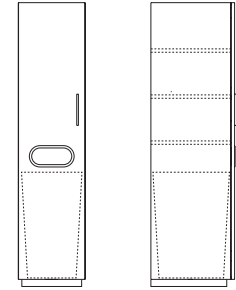
Shelves/Drawers (S)



Gloves/Trash (C)



Gloves/Drawers (G)



Trash/Shelves (T)

To-The-Floor Door Towers *continued*

Specification Information		
Step 1.		
CH405.		
Step 2. Width		
15	15" wide	+\$1774
Step 3. Depth		
19	19" deep	+\$0
24	24" deep	+\$41
Step 4. Height (off finished floor)		
66	66" high	+\$0
74	74" high	+\$87
Step 5. Storage Options		
C	side glove and front trash and access with interior shelving	+\$0
G	glove access and 4 pullout drawers	+\$568
S	shelves and 4 pullout drawers	+\$406
T	front trash access with interior shelving	-\$50
Step 6. Location in Run and Features		
L	left end, right handed	+\$0
R	right end, left handed	+\$0
S	standalone, left handed	+\$0
T	standalone, right handed	+\$0
Step 7. Door Hinge Location		
L	left-hinged door	+\$0
R	right-hinged door	+\$0
Step 8. Lock Option		
KA	keyed lock, keyed alike	+\$61
KC	keyed lock, keyed differently, chrome	+\$61
KD	keyed lock, keyed differently, black	+\$61
KP	keyless lock	+\$279
NL	no lock	+\$0
Step 9. Pull Type		
A	arc pull	+\$13
C	curved pull	+\$26
K	bar pull	+\$13
N	no pull	+\$0
P	profile pull	+\$29
T	tab pull	+\$29

Step 10. Surface Material		
H	high-pressure laminate	+\$325
L	low-pressure laminate	+\$0
Step 11. Finish		
<i>For low-pressure laminate (L)</i>		
76	light brown walnut	+\$0
8Q	folkstone grey	+\$0
91	white	+\$0
98	studio white	+\$0
CL	cool grey neutral	+\$0
HM	natural maple	+\$0
HP	light anigre	+\$0
HX	aged cherry	+\$0
HY	walnut on cherry	+\$0
LA	light ash	+\$0
LBA	clear on ash	+\$0
LBR	phantom ecru	+\$0
LBS	phantom cocoa	+\$0
LBU	medium matte walnut	+\$0
LBV	warm grey teak	+\$0
LBB	oak on ash	+\$0
LBC	walnut on ash	+\$0
LBD	dark brown walnut	+\$0
LBE	medium red walnut	+\$0
LBF	neutral twill	+\$0
LBG	sarum twill	+\$0
LBH	earthen twill	+\$0
LBJ	graphite twill	+\$0
LBK	pewter mesh	+\$0
LBL	steel mesh	+\$0
LBM	crisp linen	+\$0
LBN	classic linen	+\$0
LBP	casual linen	+\$0
LBQ	white twill	+\$0
LU	soft white	+\$0
WL	sandstone	+\$0
WN	warm grey neutral	+\$0
<i>For high-pressure laminate (H)</i>		
76	light brown walnut	+\$0
8Q	folkstone grey	+\$0
91	white	+\$0
98	studio white	+\$0
CL	cool grey neutral	+\$0
HF	inner tone light	+\$0

To-The-Floor Door Towers *continued*

Mora™ Towers

HM	natural maple	+\$0
HP	light anigre	+\$0
HT	inner tone	+\$0
HX	aged cherry	+\$0
HY	walnut on cherry	+\$0
LA	light ash	+\$0
LBA	clear on ash	+\$0
LBR	phantom ecru	+\$0
LBS	phantom cocoa	+\$0
LBU	medium matte walnut	+\$0
LBV	warm grey teak	+\$0
LBB	oak on ash	+\$0
LBC	walnut on ash	+\$0
LBD	dark brown walnut	+\$0
LBE	medium red walnut	+\$0
LBF	neutral twill	+\$0
LBG	sarum twill	+\$0
LBH	earthen twill	+\$0
LBJ	graphite twill	+\$0
LBM	crisp linen	+\$0
LBN	classic linen	+\$0
LBP	casual linen	+\$0
LBQ	white twill	+\$0
LT	light tone	+\$0
LU	soft white	+\$0
MT	medium tone	+\$0
OG	honey maple	+\$0
WL	sandstone	+\$0
WN	warm grey neutral	+\$0

Step 12. Pull Finish

For no pull (N)

NN	no pull finish	+\$0
-----------	----------------	------

For arc pull (A), curved pull (C), profile pull (P), or tab pull (T)

STD	standard finish	+\$0
------------	-----------------	------

For bar pull (K)

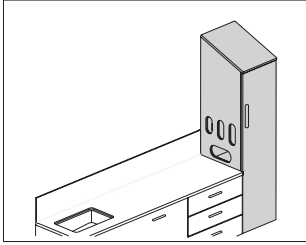
8Q	folkstone grey	+\$0
91	white	+\$0
98	studio white	+\$0
CN	metallic champagne	+\$0
G1	graphite	+\$0
MS	metallic silver	+\$0

Step 13. Grommet Finish
*For side glove and front trash and access with interior shelving (C),
glove access and 4 pullout drawers (G), or front trash access with
interior shelving (T)*

8Q	folkstone grey	+\$0
91	white	+\$0
CL	cool grey neutral	+\$0
WL	sandstone	+\$0
WN	warm grey neutral	+\$0

Sloped Top Wall-Mounted Door Towers

CH410.



Product Information

Description

The sloped-top wall-mounted door towers attach to an architectural wall with a cleat. The towers provide easy access to storage or house gloves and trash. The trash tower is designed for a 10-gallon waste bin. Glove box holders are included but field installed.

Notes

When specifying side trash/glove access with interior shelving (T), waste bin not included. See Planning Guide for recommendations.

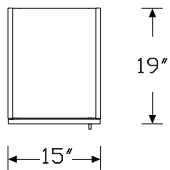
When specifying woodgrain laminate, grain direction is always vertical. Sloped top grain direction should match the grain direction of adjacent sloped top panels.

For keyed-alike locks, order lock plugs separately.

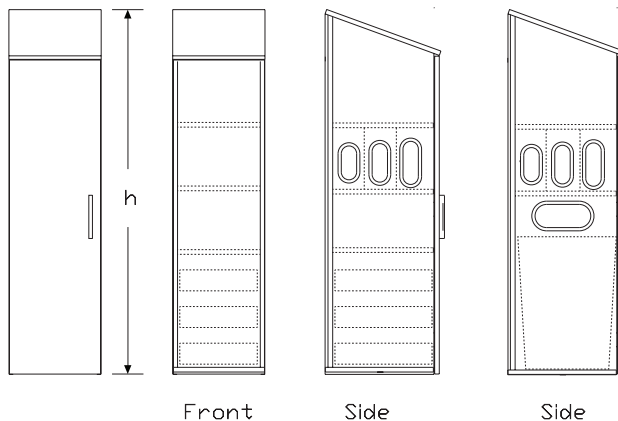
Order the following products separately:

- Tower sloped top panel (CH316.)
- Hanging cleat (CH100.15)
- Ganging hardware (CH110.)

Dimensions



Shelves/Drawers (S) Gloves/Drawers (G) Gloves/Trash (T)



Specification Information

Step 1.

CH410.

Step 2. Width

15 15" wide +\$1873

Step 3. Depth

19 19" deep +\$0

Step 4. Height (off finished floor)

78 78" high +\$0

Step 5. Storage Options

S	shelves and 3 pullout drawers	+\$264
G	glove access and 3 pullout drawers	+\$416
T	side trash/glove access with interior shelving	+\$0

Step 6. Location in Run and Features

For shelves and 3 pullout drawers (S)

L	left end, right handed	+\$0
R	right end, left handed	+\$0
S	standalone	+\$0

For glove access and 3 pullout drawers (G) or side trash/glove access with interior shelving (T)

L	left end, right handed	+\$0
R	right end, left handed	+\$0
S	standalone, left handed	+\$0
T	standalone, right handed	+\$0

Step 7. Door Hinge Location

L	left-hinged door	+\$0
R	right-hinged door	+\$0

Step 8. Lock Option

NL	no lock	+\$0
KA	keyed lock, keyed alike	+\$61
KC	keyed lock, keyed differently, chrome	+\$61
KD	keyed lock, keyed differently, black	+\$61
KP	keyless lock	+\$279

Mora™ Towers

Sloped Top Wall-Mounted Door Towers *continued*

Mora™ Towers

Step 9. Pull Type		
A	arc pull	+\$13
C	curved pull	+\$26
K	bar pull	+\$13
N	no pull	+\$0
P	profile pull	+\$29
T	tab pull	+\$29

Step 10. Surface Material		
H	high-pressure laminate	+\$305
L	low-pressure laminate	+\$0

Step 11. Case Finish		
----------------------	--	--

For low-pressure laminate (L)

76	light brown walnut	+\$0
8Q	folkstone grey	+\$0
91	white	+\$0
98	studio white	+\$0
CL	cool grey neutral	+\$0
HM	natural maple	+\$0
HP	light anigre	+\$0
HX	aged cherry	+\$0
HY	walnut on cherry	+\$0
LA	light ash	+\$0
LBA	clear on ash	+\$0
LBB	oak on ash	+\$0
LBC	walnut on ash	+\$0
LBD	dark brown walnut	+\$0
LBE	medium red walnut	+\$0
LBF	neutral twill	+\$0
LBG	sarum twill	+\$0
LBH	earthen twill	+\$0
LBJ	graphite twill	+\$0
LBK	pewter mesh	+\$0
LBL	steel mesh	+\$0
LBM	crisp linen	+\$0
LBN	classic linen	+\$0
LBP	casual linen	+\$0
LBQ	white twill	+\$0
LU	soft white	+\$0
WL	sandstone	+\$0
WN	warm grey neutral	+\$0

For high-pressure laminate (H)

76	light brown walnut	+\$0
8Q	folkstone grey	+\$0
91	white	+\$0
98	studio white	+\$0
CL	cool grey neutral	+\$0
HF	inner tone light	+\$0
HM	natural maple	+\$0
HP	light anigre	+\$0
HT	inner tone	+\$0
HX	aged cherry	+\$0
HY	walnut on cherry	+\$0
LA	light ash	+\$0
LBA	clear on ash	+\$0
LBB	oak on ash	+\$0
LBC	walnut on ash	+\$0
LBD	dark brown walnut	+\$0
LBE	medium red walnut	+\$0
LBF	neutral twill	+\$0
LBG	sarum twill	+\$0
LBH	earthen twill	+\$0
LBJ	graphite twill	+\$0
LBM	crisp linen	+\$0
LBN	classic linen	+\$0
LBP	casual linen	+\$0
LBQ	white twill	+\$0
LT	light tone	+\$0
LU	soft white	+\$0
MT	medium tone	+\$0
OG	honey maple	+\$0
WL	sandstone	+\$0
WN	warm grey neutral	+\$0

Step 12. Pull Finish		
----------------------	--	--

For no pull (N)

NN	no pull finish	+\$0
-----------	----------------	------

For arc pull (A), curved pull (C), profile pull (P), or tab pull (T)

STD	standard finish	+\$0
------------	-----------------	------

Sloped Top Wall-Mounted Door Towers *continued*

For bar pull (K)

8Q	folkstone grey	+\$0
91	white	+\$0
98	studio white	+\$0
CN	metallic champagne	+\$0
G1	graphite	+\$0
MS	metallic silver	+\$0

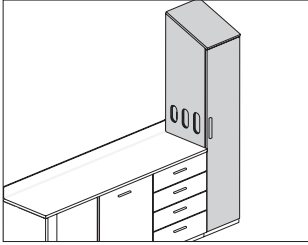
Step 13. Grommet Finish

For glove access and 3 pullout drawers (G) or side trash/glove access with interior shelving (T)

8Q	folkstone grey	+\$0
91	white	+\$0
CL	cool grey neutral	+\$0
WL	sandstone	+\$0
WN	warm grey neutral	+\$0

Sloped Top To-the-Floor Door Towers

CH415.



Product Information

Description

These sloped-top towers sit on a plinth base with 1½" adjustable glides. They provide storage, easy access to gloves, and trash solutions. Towers with trash access are designed to hold a 10-gallon waste bin.

Notes

When specifying side glove and front trash access with interior shelving (C) or front trash access with interior shelving (T), waste bin not included. See Planning Guide for recommendations.

When specifying woodgrain laminate, grain direction is always vertical. Sloped top grain direction should match the grain direction of adjacent sloped top panels.

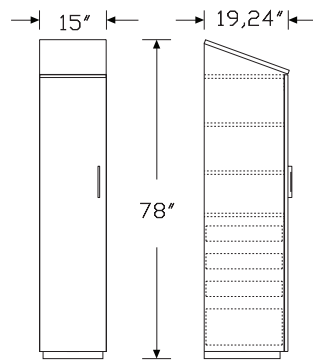
For keyed-alike locks, order lock plugs separately.

Order the following products separately:

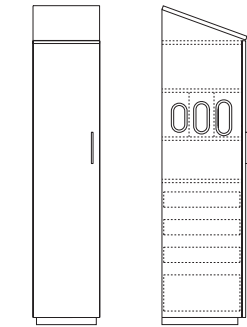
- Tower sloped top panel (CH316.)
- Plinth base (CH250. or CH255.)
- Ganging hardware (CH110.)

Mora™ Towers

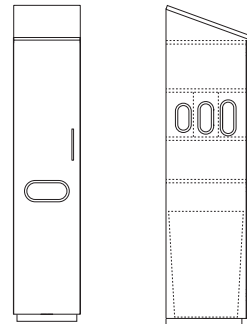
Dimensions



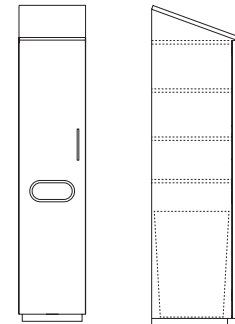
Shelves/Drawers (S)



Gloves/Drawers (G)



Gloves/Trash (C)



Trash/Shelves (T)

Sloped Top To-the-Floor Door Towers *continued*

Specification Information

Step 1.

CH415.

Step 2. Width

15 15" wide +\$2083

Step 3. Depth

19 19" deep +\$0

24 24" deep +\$41

Step 4. Height (off finished floor)

78 78" high +\$0

Step 5. Storage Options

S shelves and 4 pullout drawers +\$406

G glove access and 4 pullout drawers +\$568

C side glove and front trash and access with interior shelving +\$0

T front trash access with interior shelving -\$50

Step 6. Location in Run and Features

For shelves and 4 pullout drawers (S) or front trash access with interior shelving (T)

S standalone +\$0

For glove access and 4 pullout drawers (G) or side glove and front trash and access with interior shelving (C)

L left end, right handed +\$0

R right end, left handed +\$0

Step 7. Door Hinge Location

L left hinged +\$0

R right hinged +\$0

Step 8. Lock Option

NL no lock +\$0

KA keyed lock, keyed alike +\$61

KC keyed lock, keyed differently, chrome +\$61

KD keyed lock, keyed differently, black +\$61

KP keyless lock +\$279

Step 9. Pull Type

A arc pull +\$13

K bar pull +\$13

T tab pull +\$29

P profile pull +\$29

C curved pull +\$26

N no pull +\$0

Step 10. Surface Material

H high-pressure laminate +\$325

L low-pressure laminate +\$0

Step 11. Case Finish

For low-pressure laminate (L)

76 light brown walnut +\$0

8Q folkstone grey +\$0

91 white +\$0

98 studio white +\$0

CL cool grey neutral +\$0

HM natural maple +\$0

HP light anigre +\$0

HX aged cherry +\$0

HY walnut on cherry +\$0

LA light ash +\$0

LBA clear on ash +\$0

LBB oak on ash +\$0

LBC walnut on ash +\$0

LBD dark brown walnut +\$0

LBE medium red walnut +\$0

LBF neutral twill +\$0

LBG sarum twill +\$0

LBH earthen twill +\$0

LBJ graphite twill +\$0

LBK pewter mesh +\$0

LBL steel mesh +\$0

LBM crisp linen +\$0

LBN classic linen +\$0

LBP casual linen +\$0

LBQ white twill +\$0

LU soft white +\$0

WL sandstone +\$0

WN warm grey neutral +\$0

Mora™ Towers

Sloped Top To-the-Floor Door Towers *continued*

Mora™ Towers

For high-pressure laminate (H)

76	light brown walnut	+\$0
8Q	folkstone grey	+\$0
91	white	+\$0
98	studio white	+\$0
CL	cool grey neutral	+\$0
HF	inner tone light	+\$0
HM	natural maple	+\$0
HP	light anigre	+\$0
HT	inner tone	+\$0
HX	aged cherry	+\$0
HY	walnut on cherry	+\$0
LA	light ash	+\$0
LBA	clear on ash	+\$0
LBB	oak on ash	+\$0
LBC	walnut on ash	+\$0
LBD	dark brown walnut	+\$0
LBE	medium red walnut	+\$0
LBF	neutral twill	+\$0
LBG	sarum twill	+\$0
LBH	earthen twill	+\$0
LBJ	graphite twill	+\$0
LBM	crisp linen	+\$0
LBN	classic linen	+\$0
LBP	casual linen	+\$0
LBQ	white twill	+\$0
LT	light tone	+\$0
LU	soft white	+\$0
MT	medium tone	+\$0
OG	honey maple	+\$0
WL	sandstone	+\$0
WN	warm grey neutral	+\$0

Step 12. Pull Finish

For no pull (N)

NN	no pull finish	+\$0
-----------	----------------	------

For arc pull (A), tab pull (T), profile pull (P), or curved pull (C)

STD	standard finish	+\$0
------------	-----------------	------

For bar pull (K)

8Q	folkstone grey	+\$0
91	white	+\$0
98	studio white	+\$0
CN	metallic champagne	+\$0
G1	graphite	+\$0
MS	metallic silver	+\$0

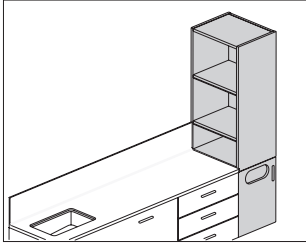
Step 13. Grommet Finish

For glove access and 4 pullout drawers (G), side glove and front trash and access with interior shelving (C), or front trash access with interior shelving (T)

8Q	folkstone grey	+\$0
91	white	+\$0
CL	cool grey neutral	+\$0
WL	sandstone	+\$0
WN	warm grey neutral	+\$0

Wall-Mounted Shelf Towers

CH420.



Product Information

Description

This wall-mounted shelf tower attaches to an architectural wall with a wall rail. The tower provides easy access to storage. The trash access tower accommodates a 7-gallon waste bin.

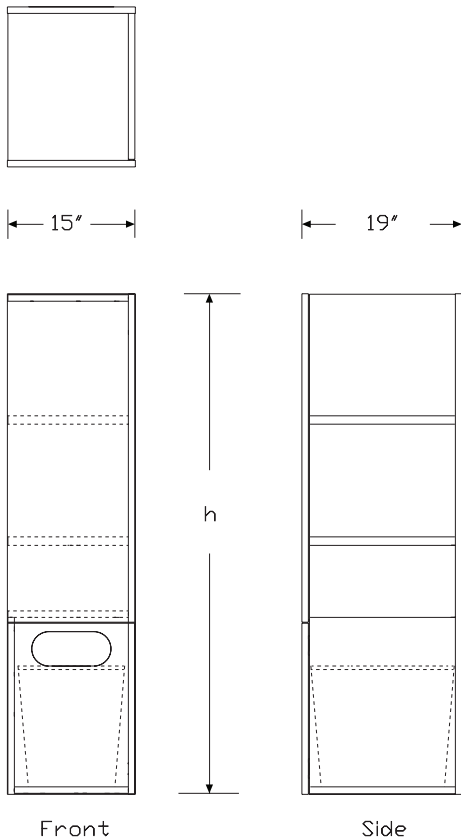
Notes

Waste bin not included. See Planning Guide for recommendations.

Shelves are adjustable: 1 shelf on 66"-high tower; 2 shelves on 74"-high tower.

When specifying wood-grain laminate, grain direction is always vertical. Order ganging hardware pack (CH110.) separately.

Dimensions



Specification Information

Step 1.

CH420.

Step 2. Width

15 15" wide +\$1809

Step 3. Depth

19 19" deep +\$0

Step 4. Height (off finished floor)

66 66" high +\$0

74 74" high +\$87

Step 5. Storage Options

T open side shelves, trash access +\$0

Step 6. Location in Run and Features

L left end, right handed +\$0

R right end, left handed +\$0

S standalone, left handed +\$0

T standalone, right handed +\$0

Step 7. Hinge Location

L left-hinged door +\$0

R right-hinged door +\$0

Step 8. Pull Type

A arc pull +\$13

C curved pull +\$26

K bar pull +\$13

N no pull +\$0

P profile pull +\$29

T tab pull +\$29

Step 9. Surface Material

H high-pressure laminate +\$229

L low-pressure laminate +\$0

Mora™ Towers

Wall-Mounted Shelf Towers

continued

Mora™ Towers

Step 10. Finish

For low-pressure laminate (L)

76	light brown walnut	+\$0
8Q	folkstone grey	+\$0
91	white	+\$0
98	studio white	+\$0
CL	cool grey neutral	+\$0
HM	natural maple	+\$0
HP	light anigre	+\$0
HX	aged cherry	+\$0
HY	walnut on cherry	+\$0
LA	light ash	+\$0
LBA	clear on ash	+\$0
LBR	phantom ecru	+\$0
LBS	phantom cocoa	+\$0
LBU	medium matte walnut	+\$0
LBV	warm grey teak	+\$0
LBB	oak on ash	+\$0
LBC	walnut on ash	+\$0
LBD	dark brown walnut	+\$0
LBE	medium red walnut	+\$0
LBF	neutral twill	+\$0
LBG	sarum twill	+\$0
LBH	earthen twill	+\$0
LBJ	graphite twill	+\$0
LBK	pewter mesh	+\$0
LBL	steel mesh	+\$0
LBM	crisp linen	+\$0
LBN	classic linen	+\$0
LBP	casual linen	+\$0
LBQ	white twill	+\$0
LU	soft white	+\$0
WL	sandstone	+\$0
WN	warm grey neutral	+\$0

For high-pressure laminate (H)

76	light brown walnut	+\$0
8Q	folkstone grey	+\$0
91	white	+\$0
98	studio white	+\$0
CL	cool grey neutral	+\$0
HF	inner tone light	+\$0
HM	natural maple	+\$0
HP	light anigre	+\$0
HT	inner tone	+\$0
HX	aged cherry	+\$0

HY	walnut on cherry	+\$0
LA	light ash	+\$0
LBA	clear on ash	+\$0
LBR	phantom ecru	+\$0
LBS	phantom cocoa	+\$0
LBU	medium matte walnut	+\$0
LBV	warm grey teak	+\$0
LBB	oak on ash	+\$0
LBC	walnut on ash	+\$0
LBD	dark brown walnut	+\$0
LBE	medium red walnut	+\$0
LBF	neutral twill	+\$0
LBG	sarum twill	+\$0
LBH	earthen twill	+\$0
LBJ	graphite twill	+\$0
LBM	crisp linen	+\$0
LBN	classic linen	+\$0
LBP	casual linen	+\$0
LBQ	white twill	+\$0
LT	light tone	+\$0
LU	soft white	+\$0
MT	medium tone	+\$0
OG	honey maple	+\$0
WL	sandstone	+\$0
WN	warm grey neutral	+\$0

Step 11. Pull Finish

For no pull (N)

NN	no pull finish	+\$0
-----------	----------------	------

For arc pull (A), curved pull (C), profile pull (P), or tab pull (T)

STD	standard finish	+\$0
------------	-----------------	------

For bar pull (K)

98	studio white	+\$0
8Q	folkstone grey	+\$0
91	white	+\$0
G1	graphite	+\$0
CN	metallic champagne	+\$0
MS	metallic silver	+\$0

Wall-Mounted Shelf Towers

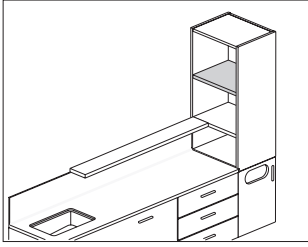
continued

Step 12. Grommet Finish

8Q	folkstone grey	+\$0
91	white	+\$0
CL	cool grey neutral	+\$0
WL	sandstone	+\$0
WN	warm grey neutral	+\$0

1" Shelf for Shelf Towers

CH421.



Product Information

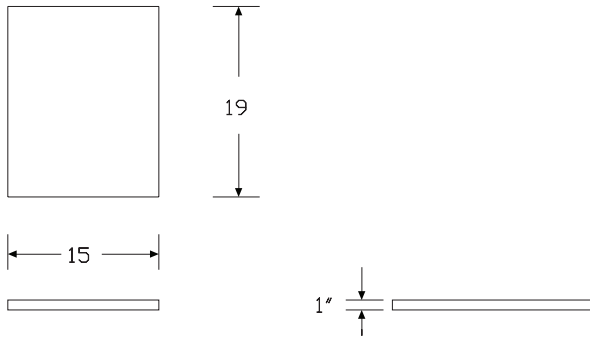
Description

This 1"-thick shelf replaces the standard shelf in a shelf tower when a floating shelf is used next to it.

Notes

Order shelf tower (CH420.) separately.

Dimensions



Mora™ Towers

Specification Information

Step 1.

CH421.

Step 2. Width

15 15" wide +\$112

Step 3. Depth

19 19" deep +\$0

Step 4. Surface Material

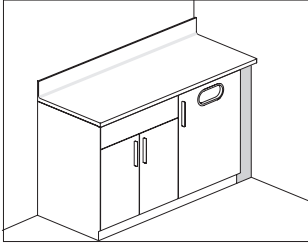
H high-pressure laminate +\$0

Step 5. Finish

- 76** light brown walnut +\$0
- 8Q** folkstone grey +\$0
- 91** white +\$0
- 98** studio white +\$0
- CL** cool grey neutral +\$0
- HF** inner tone light +\$0
- HM** natural maple +\$0
- HP** light anigre +\$0
- HT** inner tone +\$0
- HX** aged cherry +\$0
- HY** walnut on cherry +\$0
- LA** light ash +\$0
- LBA** clear on ash +\$0
- LBB** oak on ash +\$0
- LBC** walnut on ash +\$0
- LBD** dark brown walnut +\$0
- LBE** medium red walnut +\$0
- LBF** neutral twill +\$0
- LBG** sarum twill +\$0
- LBH** earthen twill +\$0
- LBJ** graphite twill +\$0
- LBM** crisp linen +\$0
- LBN** classic linen +\$0
- LBP** casual linen +\$0
- LBQ** white twill +\$0
- LT** light tone +\$0
- LU** soft white +\$0
- MT** medium tone +\$0
- WL** sandstone +\$0
- WN** warm grey neutral +\$0

Straight Filler

CH430.

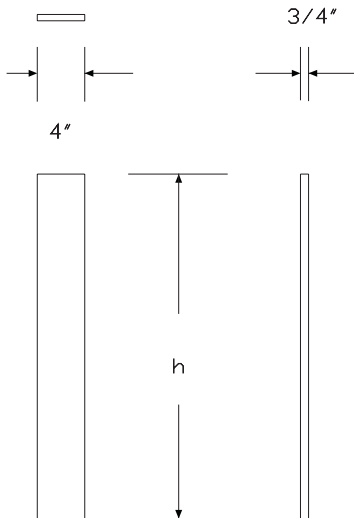


Product Information

Description

This 4"-wide component fills space in a run of cases, overheads, or towers. The straight filler fills the space between a run of base cabinets and a wall.

Dimensions



Specification Information

Step 1.

CH430. A

Step 2. Height

190	19"-high overhead case <input type="checkbox"/> A	+\$97
20W	wall-mounted base case <input type="checkbox"/> A	+\$97
23S	23"-high soffit <input type="checkbox"/> A	+\$102
310	31"-high overhead case <input type="checkbox"/> A	+\$112
34T	34"-high to-the-floor base case <input type="checkbox"/> A	+\$112
35S	35"-high soffit <input type="checkbox"/> A	+\$102
36T	36"-high to-the-floor base case <input type="checkbox"/> A	+\$112
66T	66"-high to-the-floor tower <input type="checkbox"/> A	+\$234
66W	66"-high wall-mounted tower <input type="checkbox"/> A	+\$183
74T	74"-high to-the-floor tower <input type="checkbox"/> A	+\$249
74W	74"-high wall-mounted tower <input type="checkbox"/> A	+\$213

Step 3. Material

L	low-pressure laminate <input type="checkbox"/> A	+\$0
H	high-pressure laminate <input type="checkbox"/> A	+\$26

Step 4. Grain Direction

For 19"-high overhead case (190), wall-mounted base case (20W), 23"-high soffit (23S), 31"-high overhead case (310), 34"-high to-the-floor base case (34T), 35"-high soffit (35S), or 36"-high to-the-floor base case (36T)

HRG	horizontal grain <input type="checkbox"/> A	+\$0
VTG	vertical grain <input type="checkbox"/> A	+\$0

For 66"-high to-the-floor tower (66T), 66"-high wall-mounted tower (66W), 74"-high to-the-floor tower (74T), or 74"-high wall-mounted tower (74W)

VTG	vertical grain <input type="checkbox"/> A	+\$0
------------	---	------

Mora™ Towers

Straight Filler *continued*

Mora™ Towers

Step 5. Finish

For low-pressure laminate (L)

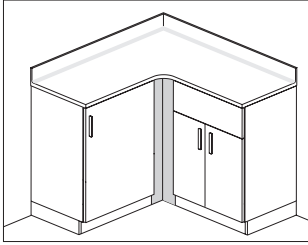
76	light brown walnut <input type="checkbox"/>	+\$0
8Q	folkstone grey <input type="checkbox"/>	+\$0
91	white <input type="checkbox"/>	+\$0
98	studio white <input type="checkbox"/>	+\$0
CL	cool grey neutral <input type="checkbox"/>	+\$0
HM	natural maple <input type="checkbox"/>	+\$0
HP	light anigre <input type="checkbox"/>	+\$0
HX	aged cherry <input type="checkbox"/>	+\$0
HY	walnut on cherry <input type="checkbox"/>	+\$0
LA	light ash <input type="checkbox"/>	+\$0
LBA	clear on ash <input type="checkbox"/>	+\$0
LBB	oak on ash <input type="checkbox"/>	+\$0
LBC	walnut on ash <input type="checkbox"/>	+\$0
LBD	dark brown walnut <input type="checkbox"/>	+\$0
LBE	medium red walnut <input type="checkbox"/>	+\$0
LBF	neutral twill <input type="checkbox"/>	+\$0
LBG	sarum twill <input type="checkbox"/>	+\$0
LBH	earthen twill <input type="checkbox"/>	+\$0
LBJ	graphite twill <input type="checkbox"/>	+\$0
LBK	pewter mesh <input type="checkbox"/>	+\$0
LBL	steel mesh <input type="checkbox"/>	+\$0
LBM	crisp linen <input type="checkbox"/>	+\$0
LBN	classic linen <input type="checkbox"/>	+\$0
LBP	casual linen <input type="checkbox"/>	+\$0
LBQ	white twill <input type="checkbox"/>	+\$0
LBR	phantom ecru <input type="checkbox"/>	+\$0
LBS	phantom cocoa <input type="checkbox"/>	+\$0
LBU	medium matte walnut <input type="checkbox"/>	+\$0
LBV	warm grey teak <input type="checkbox"/>	+\$0
LU	soft white <input type="checkbox"/>	+\$0
WL	sandstone <input type="checkbox"/>	+\$0
WN	warm grey neutral <input type="checkbox"/>	+\$0

For high-pressure laminate (H)

76	light brown walnut <input type="checkbox"/>	+\$0
8Q	folkstone grey <input type="checkbox"/>	+\$0
91	white <input type="checkbox"/>	+\$0
98	studio white <input type="checkbox"/>	+\$0
CL	cool grey neutral <input type="checkbox"/>	+\$0
HF	inner tone light <input type="checkbox"/>	+\$0
HM	natural maple <input type="checkbox"/>	+\$0
HP	light anigre <input type="checkbox"/>	+\$0
HT	inner tone <input type="checkbox"/>	+\$0
HX	aged cherry <input type="checkbox"/>	+\$0
HY	walnut on cherry <input type="checkbox"/>	+\$0
LA	light ash <input type="checkbox"/>	+\$0
LBA	clear on ash <input type="checkbox"/>	+\$0
LBB	oak on ash <input type="checkbox"/>	+\$0
LBC	walnut on ash <input type="checkbox"/>	+\$0
LBD	dark brown walnut <input type="checkbox"/>	+\$0
LBE	medium red walnut <input type="checkbox"/>	+\$0
LBF	neutral twill <input type="checkbox"/>	+\$0
LBG	sarum twill <input type="checkbox"/>	+\$0
LBH	earthen twill <input type="checkbox"/>	+\$0
LBJ	graphite twill <input type="checkbox"/>	+\$0
LBM	crisp linen <input type="checkbox"/>	+\$0
LBN	classic linen <input type="checkbox"/>	+\$0
LBP	casual linen <input type="checkbox"/>	+\$0
LBQ	white twill <input type="checkbox"/>	+\$0
LBR	phantom ecru <input type="checkbox"/>	+\$0
LBS	phantom cocoa <input type="checkbox"/>	+\$0
LBU	medium matte walnut <input type="checkbox"/>	+\$0
LBV	warm grey teak <input type="checkbox"/>	+\$0
LT	light tone <input type="checkbox"/>	+\$0
LU	soft white <input type="checkbox"/>	+\$0
MT	medium tone <input type="checkbox"/>	+\$0
WL	sandstone <input type="checkbox"/>	+\$0
WN	warm grey neutral <input type="checkbox"/>	+\$0

Corner Filler

CH435.



Product Information

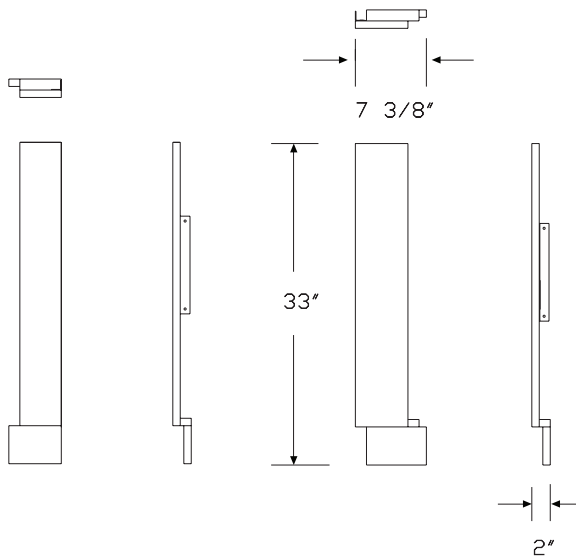
Description

This component fills space between 2 cabinets at a 90° corner to give the cabinets a finished appearance.

Notes

Corner filler can only be used with cabinets of equal depth.

Dimensions



Specification Information

Step 1.

CH435.

Step 2. Height

20W	wall-mounted base case	+\$193
34T	34"-high to-the-floor base case	+\$223
36T	36"-high to-the-floor base case	+\$223
19N	19"-high by 11"-deep overhead case	+\$1090
31D	31"-high by 13"-deep overhead case	+\$1141
23N	23"-high by 11"-deep sloped top overhead case	+\$1521
36D	36"-high by 13"-deep sloped top overhead case	+\$1571
66W	66"-high wall-mounted tower	+\$365
74W	74"-high wall-mounted tower	+\$426
66T	66"-high to-the-floor tower	+\$467
74T	74"-high to-the-floor tower	+\$497
23S	23"-high soffit	+\$203
35S	35"-high soffit	+\$203

Step 3. Material

L	low-pressure laminate	+\$0
H	high-pressure laminate	+\$26

Step 4. Grain Direction

For wall-mounted base case (20W), 34"-high to-the-floor base case (34T), 36"-high to-the-floor base case (36T), 19"-high by 11"-deep overhead case (19N), 31"-high by 13"-deep overhead case (31D), 23"-high by 11"-deep sloped top overhead case (23N), 36"-high by 13"-deep sloped top overhead case (36D), 23"-high soffit (23S), or 35"-high soffit (35S)

HRG	horizontal grain	+\$0
VTG	vertical grain	+\$0

For 66"-high wall-mounted tower (66W), 74"-high wall-mounted tower (74W), 66"-high to-the-floor tower (66T), or 74"-high to-the-floor tower (74T)

VTG	vertical grain	+\$0
------------	----------------	------

Mora™ Towers

Corner Filler *continued*

Mora™ Towers

Step 5. Finish

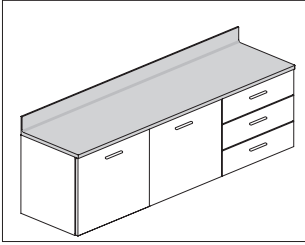
For low-pressure laminate (L)

76	light brown walnut	+\$0
8Q	folkstone grey	+\$0
91	white	+\$0
98	studio white	+\$0
CL	cool grey neutral	+\$0
HM	natural maple	+\$0
HP	light anigre	+\$0
HX	aged cherry	+\$0
HY	walnut on cherry	+\$0
LA	light ash	+\$0
LBA	clear on ash	+\$0
LBB	oak on ash	+\$0
LBC	walnut on ash	+\$0
LBD	dark brown walnut	+\$0
LBE	medium red walnut	+\$0
LBF	neutral twill	+\$0
LBG	sarum twill	+\$0
LBH	earthen twill	+\$0
LBJ	graphite twill	+\$0
LBK	pewter mesh	+\$0
LBL	steel mesh	+\$0
LBM	crisp linen	+\$0
LBN	classic linen	+\$0
LBP	casual linen	+\$0
LBQ	white twill	+\$0
LBR	phantom ecru	+\$0
LBS	phantom cocoa	+\$0
LBU	medium matte walnut	+\$0
LBV	warm grey teak	+\$0
LU	soft white	+\$0
WL	sandstone	+\$0
WN	warm grey neutral	+\$0

For high-pressure laminate (H)

76	light brown walnut	+\$0
8Q	folkstone grey	+\$0
91	white	+\$0
98	studio white	+\$0
CL	cool grey neutral	+\$0
HF	inner tone light	+\$0
HM	natural maple	+\$0
HP	light anigre	+\$0
HT	inner tone	+\$0
HX	aged cherry	+\$0

HY	walnut on cherry	+\$0
LA	light ash	+\$0
LBA	clear on ash	+\$0
LBB	oak on ash	+\$0
LBC	walnut on ash	+\$0
LBD	dark brown walnut	+\$0
LBE	medium red walnut	+\$0
LBF	neutral twill	+\$0
LBG	sarum twill	+\$0
LBH	earthen twill	+\$0
LBJ	graphite twill	+\$0
LBM	crisp linen	+\$0
LBN	classic linen	+\$0
LBP	casual linen	+\$0
LBQ	white twill	+\$0
LBR	phantom ecru	+\$0
LBS	phantom cocoa	+\$0
LBU	medium matte walnut	+\$0
LBV	warm grey teak	+\$0
LM	mahogany	+\$0
LT	light tone	+\$0
LU	soft white	+\$0
MT	medium tone	+\$0
OG	honey maple	+\$0
WL	sandstone	+\$0
WN	warm grey neutral	+\$0



Product Information

Description

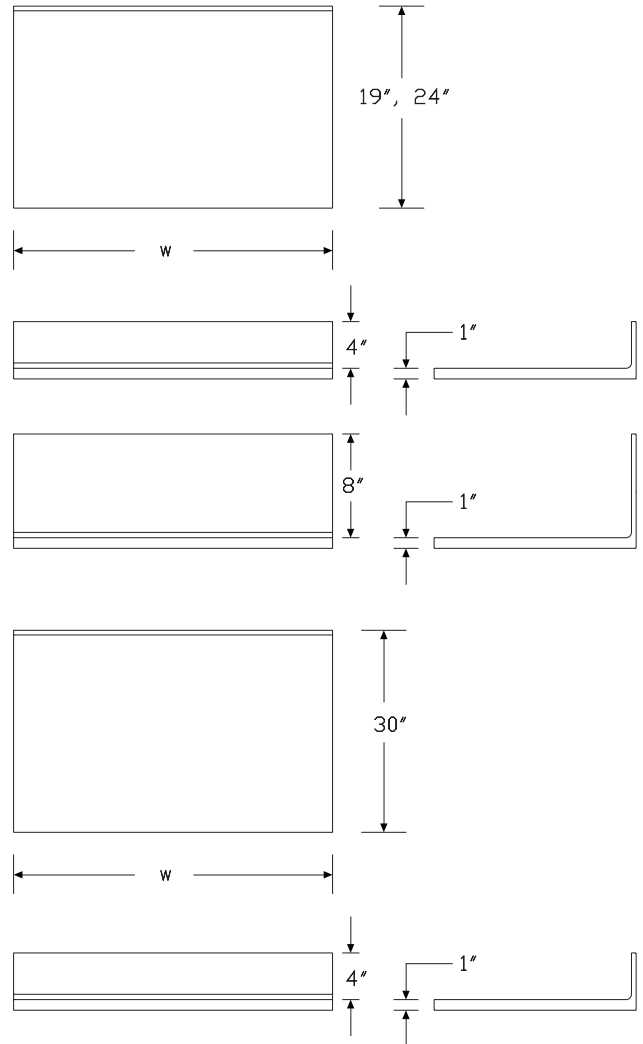
This Corian® work surface attaches to the top of 1 or more base cabinets or extends over the side of a base cabinet with an end panel support. It is available with integrated backsplash or without backsplash.

Notes

Order the following products separately:

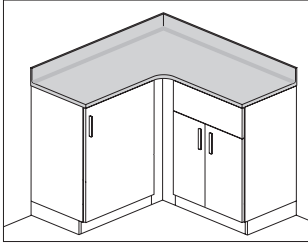
- Wall-mounted drawer or door base cabinets (CH200., CH210.)
- To-the-floor drawer or door base cabinets (CH220., CH230.)
- End panel (CH655.)

Dimensions



Mora™ Surfaces

Specification Information		
Step 1.		
CH600.		
Step 2. Depth		
19	19" deep	+\$609
24	24" deep	+\$659
30	30" deep	+\$1217
Step 3. Width		
18	18" wide	+\$0
24	24" wide	+\$77
30	30" wide	+\$153
36	36" wide	+\$305
42	42" wide	+\$457
48	48" wide	+\$558
54	54" wide	+\$659
60	60" wide	+\$811
66	66" wide	+\$913
72	72" wide	+\$1065
Step 4. Backsplash		
<i>For 19" deep (19) or 24" deep (24)</i>		
4	4" high integrated	+\$0
8	8" high integrated	+\$305
N	no backsplash	-\$99
<i>For 30" deep (30)</i>		
4	4" high integrated	+\$0
N	no backsplash	-\$99
Step 5. Work Surface Finish		
1S	savannah	+\$170
1U	sahara	+\$35
4I	sandstone	+\$35
58	cameo white	+\$0
CQ	glacier white	+\$0
CRT	concrete	+\$300
FWN	fawn	+\$300
OQ	silt	+\$170
PGY	pearl gray	+\$300
QB	bisque	+\$0
SNS	serene sage	+\$300



Product Information

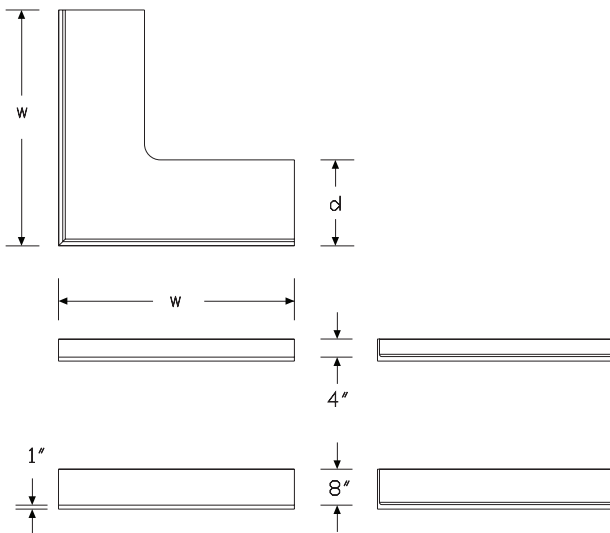
Description

This Corian® corner work surface attaches to the top of 1 or more base cabinets or extends over the side with an end panel support. Attachment hardware included.

Notes

Order wall-mounted or to-the-floor, drawer or door cabinets separately.
 Order end panel (CH655.) separately.
 Order surface wall attachment support (CH646.) separately.

Dimensions



Specification Information

Step 1.

CH602. [A]

Step 2. Depth

19	19" deep [A]	+\$3395
24	24" deep [A]	+\$3243
30	30" deep [A]	+\$4054

Step 3. Width

For 19" deep (19)

37	37" wide - for use with 18" wide cases [A]	+\$0
43	43" wide - for use with 24" wide cases [A]	+\$254
49	49" wide - for use with 30" wide cases [A]	+\$558

For 24" deep (24)

42	42" wide - for use with 18" wide cases [A]	+\$0
48	48" wide - for use with 24" wide cases [A]	+\$305
54	54" wide - for use with 30" wide cases [A]	+\$203

For 30" deep (30)

54	54" wide - for use with 24" wide cases [A]	+\$0
60	60" wide - for use with 30" wide cases [A]	+\$305

Step 4. Backsplash

For 19" deep (19) or 24" deep (24) with 37" wide - for use with 18" wide cases (37), 42" wide - for use with 18" wide cases (42), 43" wide - for use with 24" wide cases (43), 48" wide - for use with 24" wide cases (48), or 49" wide - for use with 30" wide cases (49)

4	4" high integrated [A]	+\$406
8	8" high integrated [A]	+\$507
N	no backsplash [A]	+\$0

For 24" deep (24) or 30" deep (30) with 54" wide - for use with 24" wide cases (54), 54" wide - for use with 30" wide cases (54), or 60" wide - for use with 30" wide cases (60)

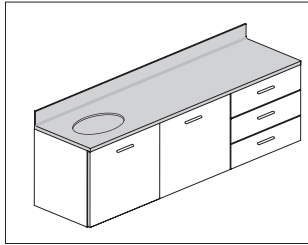
N	no backsplash [A]	+\$0
----------	-------------------	------

Step 5. Work Surface Finish		
1S	savannah <input type="checkbox"/> A	+\$400
1U	sahara <input type="checkbox"/> A	+\$100
4I	sandstone <input type="checkbox"/> A	+\$100
58	cameo white <input type="checkbox"/> A	+\$0
CQ	glacier white <input type="checkbox"/> A	+\$0
CRT	concrete <input type="checkbox"/> A	+\$550
FWN	fawn <input type="checkbox"/> A	+\$550
OQ	silt <input type="checkbox"/> A	+\$400
PGY	pearl gray <input type="checkbox"/> A	+\$550
QB	bisque <input type="checkbox"/> A	+\$0
SNS	serene sage <input type="checkbox"/> A	+\$550

Mora™ Surfaces

Corian Work Surface with Oval Sink

CH605.



Product Information

Description

This Corian® work surface with sink attaches to the top of 1 or more base cabinets or extends over the side of a base cabinet with an end panel support. Work surface comes with integrated backsplash.

Notes

Surface is 1" thick.

If extended surface is desired, the extension must be on opposite end from sink.

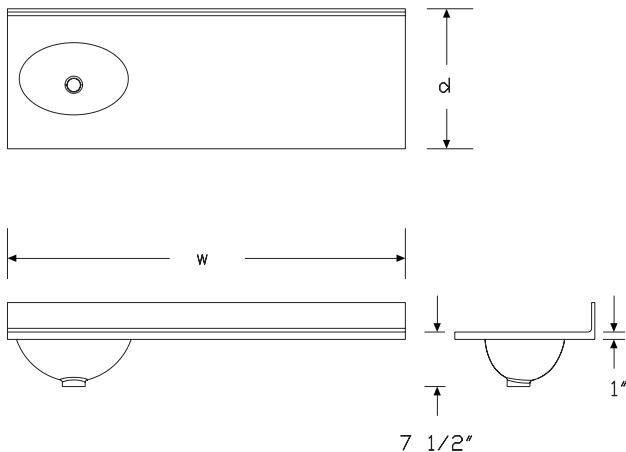
Sink will always be centered over a sink cabinet.

Faucet must be field supplied.

Order the following products separately:

- Wall-mounted door base cabinets (CH210.)
- To-the-floor door base cabinets (CH230.)
- End panel (CH655.)

Dimensions



Specification Information

Step 1.

CH605.

Step 2. Depth

19	19" deep	+\$1217
24	24" deep	+\$1267

Step 3. Width

18	18" wide	+\$0
36	36" wide	+\$305
42	42" wide	+\$457
48	48" wide	+\$558
54	54" wide	+\$659
60	60" wide	+\$811
66	66" wide	+\$913
72	72" wide	+\$1065

Step 4. Sink Cutout/Sink Cabinet Size & Location (sink centered above cabinets)

For 18" wide (18)

SAO	stand-alone 18" wide sink cabinet	+\$0
------------	-----------------------------------	------

For 36" wide (36), 42" wide (42), 48" wide (48), 54" wide (54), 60" wide (60), 66" wide (66), or 72" wide (72)

18L	18" sink cabinet on left	+\$0
18R	18" sink cabinet on right	+\$0

Step 5. Backsplash

4	4" high integrated	+\$0
8	8" high integrated	+\$305

Step 6. Work Surface Finish

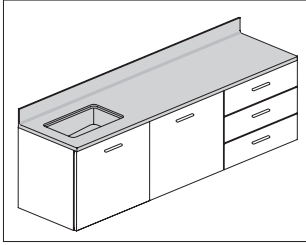
1S	savannah	+\$170
1U	sahara	+\$35
4I	sandstone	+\$35
58	cameo white	+\$0
CQ	glacier white	+\$0
CRT	concrete	+\$300
FWN	fawn	+\$300
OQ	silt	+\$170
PGY	pearl gray	+\$300
QB	bisque	+\$0
SNS	serene sage	+\$300

Corian Work Surface with Oval Sink *continued*

Step 7. Sink Finish		
CQ	glacier white	+\$0

Corian Work Surface with Rectangular Sink

CH606.



Product Information

Description

This Corian® work surface with sink attaches to the top of 1 or more base cabinets or extends over the side of a base cabinet with an end panel support. Work surface comes with integrated backsplash.

Notes

Surface is 1" thick.

If extended surface is desired, the extension must be on opposite end from sink.

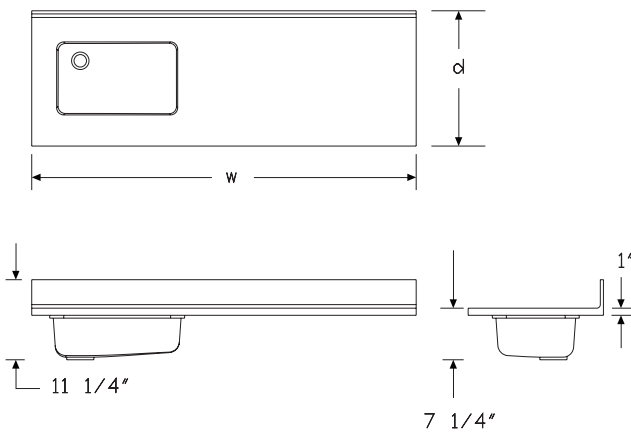
Sink will always be centered over a sink cabinet.

Faucet must be field supplied.

Order the following products separately:

- Wall-mounted door base cabinets (CH210.)
- To-the-floor door base cabinets (CH230.)
- End panel (CH655.)

Dimensions



Specification Information

Step 1.

CH606.

Step 2. Depth

19	19" deep	+\$1662
24	24" deep	+\$1713

Step 3. Width

24	24" wide	+\$0
30	30" wide	+\$77
36	36" wide	+\$229
42	42" wide	+\$381
48	48" wide	+\$482
54	54" wide	+\$583
60	60" wide	+\$735
66	66" wide	+\$837
72	72" wide	+\$989

Step 4. Sink Cutout/Sink Cabinet Size & Location (sink centered above cabinets)

For 24" wide (24), 30" wide (30), or 36" wide (36)

SAR	stand-alone 24", 30", 36" wide sink cabinet	+\$0
------------	---	------

For 42" wide (42)

24L	24" sink cabinet on left	+\$0
24R	24" sink cabinet on right	+\$0

For 48" wide (48)

24L	24" sink cabinet on left	+\$0
24R	24" sink cabinet on right	+\$0
30L	30" sink cabinet on left	+\$0
30R	30" sink cabinet on right	+\$0

For 54" wide (54), 60" wide (60), 66" wide (66), or 72" wide (72)

24L	24" sink cabinet on left	+\$0
24R	24" sink cabinet on right	+\$0
30L	30" sink cabinet on left	+\$0
30R	30" sink cabinet on right	+\$0
36L	36" sink cabinet on left	+\$0
36R	36" sink cabinet on right	+\$0

Step 5. Backsplash

4	4" high integrated	+\$0
8	8" high integrated	+\$305

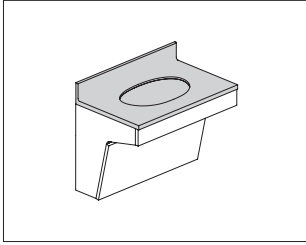
Corian Work Surface with
 Rectangular Sink *continued*

Mora™ Surfaces

Step 6. Work Surface Finish		
1S	savannah	+\$170
1U	sahara	+\$35
4I	sandstone	+\$35
58	cameo white	+\$0
CQ	glacier white	+\$0
CRT	concrete	+\$300
FWN	fawn	+\$300
OQ	silt	+\$170
PGY	pearl gray	+\$300
QB	bisque	+\$0
SNS	serene sage	+\$300
Step 7. Sink Finish		
CRM	crema	+\$0
WFR	white frost	+\$0

Corian Work Surface with ADA Sink

CH607.



Product Information

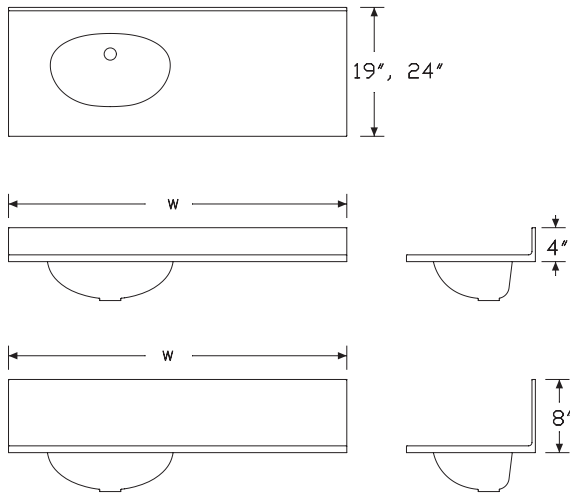
Description

This Corian® work surface with ADA sink attaches to the top of an ADA sink enclosure or spans multiple cases.

Notes

- Order ADA sink enclosure (CH240.) separately.
- Order wall-mounted or to-the-floor door cases separately.
- Sink will always be centered over a sink cabinet.
- Surface is 1" thick.
- For extended surface, the extension must be on opposite end from sink.
- Order end panel (CH655.) separately.
- Faucet must be field supplied.

Dimensions



Specification Information

Step 1.

CH607.

Step 2. Depth

19	19" deep	+\$1521
24	24" deep	+\$1622

Step 3. Width

24	24" wide	+\$77
30	30" wide	+\$0
36	36" wide	+\$153
42	42" wide	+\$305
48	48" wide	+\$457
54	54" wide	+\$609
60	60" wide	+\$710
66	66" wide	+\$831
72	72" wide	+\$963

Step 4. Sink Cutout/Sink Cabinet Size & Location

For 24" wide (24), 30" wide (30), or 36" wide (36)

SAA	stand-alone 24" or 30" wide ADA sink enclosure	+\$0
------------	--	------

For 42" wide (42)

SAA	stand-alone 42" wide ADA sink enclosure	+\$0
24L	24" ADA sink enclosure on left	+\$0
24R	24" ADA sink enclosure on right	+\$0
30L	30" ADA sink enclosure on left	+\$0
30R	30" ADA sink enclosure on right	+\$0

For 48" wide (48)

SAA	stand-alone 48" wide ADA sink enclosure	+\$0
24L	24" ADA sink enclosure on left	+\$0
24R	24" ADA sink enclosure on right	+\$0
30L	30" ADA sink enclosure on left	+\$0
30R	30" ADA sink enclosure on right	+\$0
36L	36" ADA sink enclosure on left	+\$0
36R	36" ADA sink enclosure on right	+\$0

Mora™ Surfaces

Corian Work Surface with ADA Sink *continued*

For 54" wide (54), 60" wide (60), 66" wide (66), or 72" wide (72)

24L	24" ADA sink enclosure on left	+\$0
24R	24" ADA sink enclosure on right	+\$0
30L	30" ADA sink enclosure on left	+\$0
30R	30" ADA sink enclosure on right	+\$0
36L	36" ADA sink enclosure on left	+\$0
36R	36" ADA sink enclosure on right	+\$0
42L	42" ADA sink enclosure on left	+\$0
42R	42" ADA sink enclosure on right	+\$0

Step 5. Backsplash

4	4" high integrated	+\$0
8	8" high integrated	+\$203

Step 6. Work Surface Finish

1S	savannah	+\$170
1U	sahara	+\$35
4I	sandstone	+\$35
58	cameo white	+\$0
CQ	glacier white	+\$0
CRT	concrete	+\$300
FWN	fawn	+\$300
OQ	silt	+\$170
PGY	pearl gray	+\$300
QB	bisque	+\$0
SNS	serene sage	+\$300

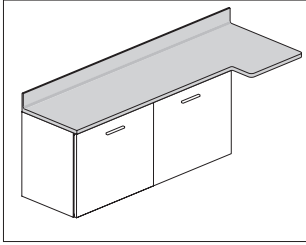
Step 7. Sink Finish

QB	bisque	+\$0
CQ	glacier white	+\$0

Mora™ Surfaces

Corian Work Surface with Work End

CH610.



Product Information

Description

This Corian® work surface with work end attaches to the top of 1 or more base cabinets. The work end allows for a quick touchdown space and can integrate technology. Work surface comes with integrated backsplash.

Notes

Surface is 1" thick.

Work end adds 18" to width and is 26" deep.

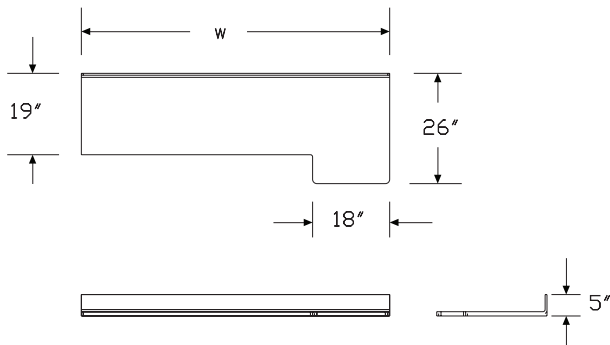
When using in-line technology cabinet (CH720.) below, do not include its width when specifying the total width of cabinets below surface.

To use Flo® monitor arm, order Flo single screen monitor arm support with grommet mount (Y91171.GRO) separately. Grommet hole is field cut. See Planning Guide for more information.

Order the following products separately:

- Wall-mounted drawer or door base cabinets (CH200., CH210.)
- To-the-floor drawer or door base cabinets (CH220., CH230.)

Dimensions



Specification Information

Step 1.

CH610.

Step 2. Depth

19	19" deep	+\$1470
-----------	----------	---------

Step 3. Total Surface Width and Width of Cabinets Below Surface

48	48" wide surface, for use with 30" wide cabinets	+\$0
54	54" wide surface, for use with 36" wide cabinets	+\$153
60	60" wide surface, for use with 42" wide cabinets	+\$305
66	66" wide surface, for use with 48" wide cabinets	+\$457
72	72" wide surface, for use with 54" wide cabinets	+\$609
78	78" wide surface, for use with 60" wide cabinets	+\$761

Step 4. Work End/Extension Side

L	surface extension to left	+\$0
R	surface extension to right	+\$0

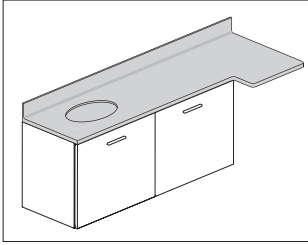
Step 5. Backsplash

4	4" high integrated	+\$0
----------	--------------------	------

Step 6. Work Surface Finish

1S	savannah	+\$210
1U	sahara	+\$45
4I	sandstone	+\$45
58	cameo white	+\$0
CQ	glacier white	+\$0
CRT	concrete	+\$350
FWN	fawn	+\$350
OQ	silt	+\$210
PGY	pearl gray	+\$350
QB	bisque	+\$0
SNS	serene sage	+\$350

Corian Work Surface with Work End and Oval Sink CH615.



Product Information

Description

This Corian® work surface with work end and sink attaches to the top of 1 or more base cabinets. The work end allows for a quick touchdown space and can integrate technology. Work surface comes with integrated backsplash.

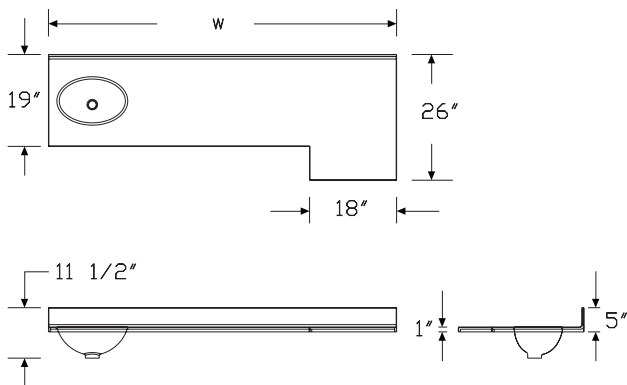
Notes

- Surface is 1" thick.
- Work end adds 18" to width and is 26" deep.
- When sink is on the left, work end is on the right. When sink is on the right, work end is on the left.
- Sink will always be centered over a sink cabinet.
- Faucet must be field supplied.
- When using in-line technology cabinet (CH720.) below, do not include its width when specifying the total width of cabinets below surface.
- To use Flo® monitor arm, order cast grommet (Y92050.0I) for use with Flo monitor arm separately. Grommet hole is field cut. See Planning Guide for more information.

Order the following products separately:

- Wall-mounted drawer or door base cabinets (CH200., CH210.)
- To-the-floor drawer or door base cabinets (CH220., CH230.)

Dimensions



Specification Information

Step 1.

CH615.

Step 2. Depth

19	19" deep	+\$2281
-----------	----------	---------

Step 3. Width

54	54" wide surface, for use with 36" total run of cabinets	+\$0
60	60" wide surface, for use with 42" total run of cabinets	+\$153
66	66" wide surface, for use with 48" total run of cabinets	+\$305
72	72" wide surface, for use with 54" total run of cabinets	+\$457
78	78" wide surface, for use with 60" total run of cabinets	+\$609

Step 4. Sink Cabinet Size Location

18L	18" sink cabinet on left	+\$0
18R	18" sink cabinet on right	+\$0

Step 5. Backsplash

4	4" high integrated	+\$0
----------	--------------------	------

Step 6. Work Surface Finish

1S	savannah	+\$210
1U	sahara	+\$45
4I	sandstone	+\$45
58	cameo white	+\$0
CQ	glacier white	+\$0
CRT	concrete	+\$350
FWN	fawn	+\$350
OQ	silt	+\$210
PGY	pearl gray	+\$350
QB	bisque	+\$0
SNS	serene sage	+\$350

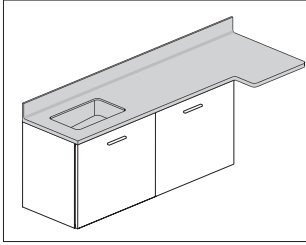
Step 7. Sink Finish

CQ	glacier white	+\$0
-----------	---------------	------

Mora™ Surfaces

Corian Work Surface with Work End and Rectangular Sink

CH616.



Product Information

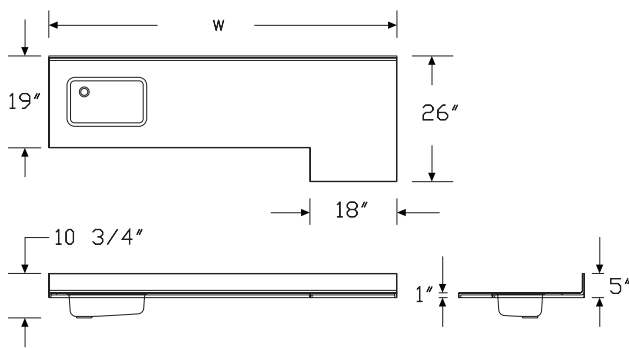
Description

This Corian® work surface with work end and sink attaches to the top of 1 or more base cabinets. The work end allows for a quick touchdown space and can integrate technology. Work surface comes with integrated backsplash.

Notes

- Surface is 1" thick.
- Work end adds 18" to width and is 26" deep.
- When sink is on the left, work end is on the right. When sink is on the right, work end is on the left.
- Sink will always be centered over a sink cabinet.
- Faucet must be field supplied.
- When using in-line technology cabinet (CH720.) below, do not include its width when specifying the total width of cabinets below surface.
- To use Flo® monitor arm, order cast grommet (Y92050.OI) for use with Flo monitor arm separately. Grommet hole is field cut. See Planning Guide for more information.
- Order the following products separately:
 - Wall-mounted drawer or door base cabinets (CH200., CH210.)
 - To-the-floor drawer or door base cabinets (CH220., CH230.)

Dimensions



Specification Information

Step 1.

CH616.

Step 2. Depth

19	19" deep	+\$2483
-----------	----------	---------

Step 3. Surface Width

48	48" wide surface, for use with 30" wide cabinets	+\$0
54	54" wide surface, for use with 36" total run of cabinets	+\$153
60	60" wide surface, for use with 42" total run of cabinets	+\$305
66	66" wide surface, for use with 48" total run of cabinets	+\$457
72	72" wide surface, for use with 54" total run of cabinets	+\$609
78	78" wide surface, for use with 60" total run of cabinets	+\$761

Step 4. Sink Cabinet Size Location

For 48" wide surface, for use with 30" wide cabinets (48)

30L	30" sink cabinet on left	+\$0
30R	30" sink cabinet on right	+\$0

For 54" wide surface, for use with 36" total run of cabinets (54)

36L	36" sink cabinet on left	+\$0
36R	36" sink cabinet on right	+\$0

For 60" wide surface, for use with 42" total run of cabinets (60)

24L	24" sink cabinet on left	+\$0
24R	24" sink cabinet on right	+\$0

For 66" wide surface, for use with 48" total run of cabinets (66)

24L	24" sink cabinet on left	+\$0
24R	24" sink cabinet on right	+\$0
30L	30" sink cabinet on left	+\$0
30R	30" sink cabinet on right	+\$0

For 72" wide surface, for use with 54" total run of cabinets (72) or 78" wide surface, for use with 60" total run of cabinets (78)

24L	24" sink cabinet on left	+\$0
24R	24" sink cabinet on right	+\$0
30L	30" sink cabinet on left	+\$0
30R	30" sink cabinet on right	+\$0
36L	36" sink cabinet on left	+\$0
36R	36" sink cabinet on right	+\$0

Step 5. Backsplash

4	4" high integrated	+\$0
----------	--------------------	------

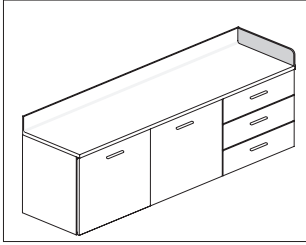
Corian Work Surface with Work
End and Rectangular Sink *continued*

Step 6. Work Surface Finish		
1S	savannah	+\$210
1U	sahara	+\$45
4I	sandstone	+\$45
58	cameo white	+\$0
CQ	glacier white	+\$0
CRT	concrete	+\$350
FWN	fawn	+\$350
OQ	silt	+\$210
PGY	pearl gray	+\$350
QB	bisque	+\$0
SNS	serene sage	+\$350
Step 7. Sink Finish		
WFR	white frost	+\$0
CRM	crema	+\$0

Mora™ Surfaces

Sidesplash

CH618.



Product Information

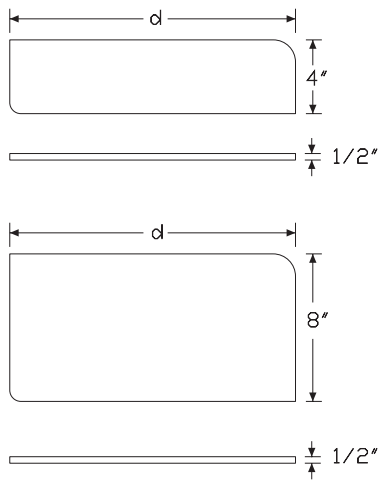
Description

This sidesplash attaches to a wall or a Mora™ System tower. Finish is Corian®. Attachment hardware not included.

Notes

It is recommended to seal the sidesplash attachment with silicone or caulk.

Dimensions



Specification Information

Step 1.

CH618.

Step 2. Depth

W19	19" deep, wall	+\$132
W24	24" deep, wall	+\$142
T19	19" deep, tower	+\$132
T24	24" deep, tower	+\$142
W30	30" deep, wall	+\$163

Step 3. Height

For 19" deep, wall (W19), 24" deep, wall (W24), 19" deep, tower (T19), or 24" deep, tower (T24)

4	4" high	+\$0
8	8" high	+\$51

For 30" deep, wall (W30)

4	4" high	+\$0
----------	---------	------

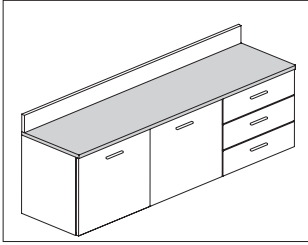
Step 4. Placement

L	left	+\$0
R	right	+\$0

Step 5. Work Surface Finish

1S	savannah	+\$10
1U	sahara	+\$5
4I	sandstone	+\$5
58	cameo white	+\$0
CQ	glacier white	+\$0
CRT	concrete	+\$20
FWN	fawn	+\$20
OQ	silt	+\$10
PGY	pearl gray	+\$20
QB	bisque	+\$0
SNS	serene sage	+\$20

Mora™ Surfaces



Product Information

Description

This HPL work surface attaches to the top of 1 or more base cabinets or extends over the side of a base cabinet with an end panel support.

Notes

Surface is 1" thick.

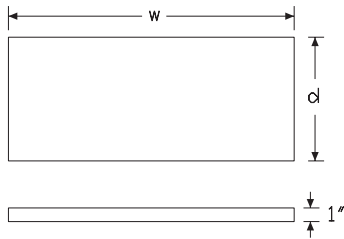
Grain direction is horizontal for woodgrain finishes.

If sink is desired, the sink cutout must be field cut and sink and faucet must be field supplied.

Order the following products separately:

- Wall-mounted drawer or door base cabinets (CH200., CH210.)
- To-the-floor drawer or door base cabinets (CH220., CH230.)
- End panel (CH655.)
- HPL backsplash (CH650.)

Dimensions



Specification Information

Step 1.

CH620.

Step 2. Depth

19	19" deep	+\$203
24	24" deep	+\$229
30	30" deep	+\$305

Step 3. Width

18	18" wide	+\$0
24	24" wide	+\$21
30	30" wide	+\$41
36	36" wide	+\$71
42	42" wide	+\$92
48	48" wide	+\$112
54	54" wide	+\$173
60	60" wide	+\$188
66	66" wide	+\$203
72	72" wide	+\$223

Step 4. Finish

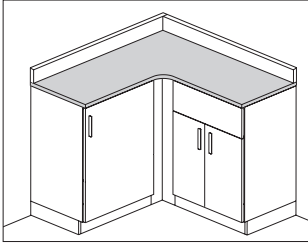
76	light brown walnut	+\$0
8Q	folkstone grey	+\$0
91	white	+\$0
98	studio white	+\$0
BU	black umber	+\$0
CL	cool grey neutral	+\$0
HF	inner tone light	+\$0
HM	natural maple	+\$0
HP	light anigre	+\$0
HT	inner tone	+\$0
HX	aged cherry	+\$0
HY	walnut on cherry	+\$0
LA	light ash	+\$0
LBA	clear on ash	+\$0
LBR	phantom ecru	+\$0
LBS	phantom cocoa	+\$0
LBV	warm grey teak	+\$0
LBU	medium matte walnut	+\$0
LBB	oak on ash	+\$0
LBC	walnut on ash	+\$0
LBD	dark brown walnut	+\$0
LBE	medium red walnut	+\$0
LBF	neutral twill	+\$0
LBG	sarum twill	+\$0
LBH	earthen twill	+\$0

HPL Work Surface *continued*

LBJ	graphite twill	+\$0	MT	medium tone	+\$0
LBM	crisp linen	+\$0	WL	sandstone	+\$0
LBN	classic linen	+\$0	WN	warm grey neutral	+\$0
LBP	casual linen	+\$0			
LBQ	white twill	+\$0			
LU	soft white	+\$0			
MT	medium tone	+\$0			
OL	white oak (nonstandard)	+\$0			
WL	sandstone	+\$0			
WN	warm grey neutral	+\$0			

Step 5. Edge Finish

76	light brown walnut	+\$0
8Q	folkstone grey	+\$0
8Z	neutral grey	+\$0
91	white	+\$0
98	studio white	+\$0
BU	black umber	+\$0
CL	cool grey neutral	+\$0
HF	inner tone light	+\$0
HM	natural maple	+\$0
HP	light anigre	+\$0
HT	inner tone	+\$0
HX	aged cherry	+\$0
HY	walnut on cherry	+\$0
JB	millwork cherry	+\$0
LA	light ash	+\$0
LBA	clear on ash	+\$0
LBR	phantom ecru	+\$0
LBS	phantom cocoa	+\$0
LBV	warm grey teak	+\$0
LBU	medium matte walnut	+\$0
LBB	oak on ash	+\$0
LBC	walnut on ash	+\$0
LBD	dark brown walnut	+\$0
LBE	medium red walnut	+\$0
LBF	neutral twill	+\$0
LBG	sarum twill	+\$0
LBH	earthen twill	+\$0
LBJ	graphite twill	+\$0
LBK	pewter mesh	+\$0
LBL	steel mesh	+\$0
LBM	crisp linen	+\$0
LBN	classic linen	+\$0
LBP	casual linen	+\$0
LBQ	white twill	+\$0
LU	soft white	+\$0



Product Information

Description

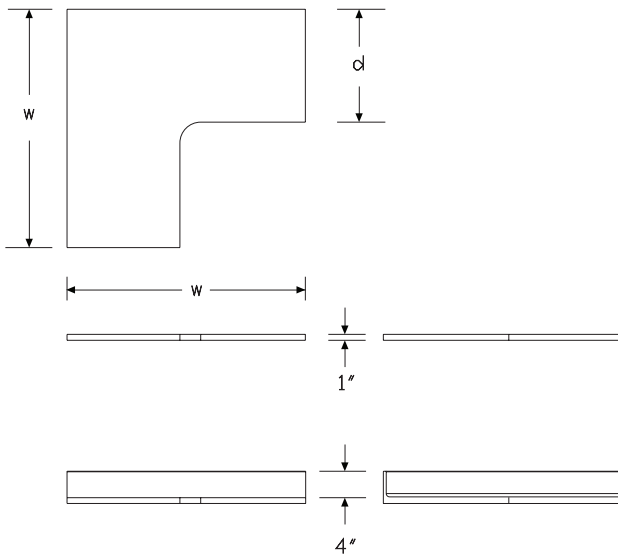
This HPL corner work surface attaches to the top of 1 or more base cabinets or extends over the side with an end panel support. Attachment hardware included.

Notes

Order wall-mounted or to-the-floor, drawer or door cabinets separately.
 Order end panel (CH655.) separately.
 Order surface wall attachment support (CH646.) separately.

Dimensions

Mora™ Surfaces



Specification Information

Step 1.

CH622. [A]

Step 2. Depth

19	19" deep [A]	+\$492
24	24" deep [A]	+\$507
30	30" deep [A]	+\$578

Step 3. Width

For 19" deep (19)

37	37" wide - for use with 18" wide cases [A]	+\$0
43	43" wide - for use with 24" wide cases [A]	+\$16
49	49" wide - for use with 30" wide cases [A]	+\$46

For 24" deep (24)

42	42" wide - for use with 18" wide cases [A]	+\$0
48	48" wide - for use with 24" wide cases [A]	+\$31
54	54" wide - for use with 30" wide cases [A]	+\$71

For 30" deep (30)

54	54" wide - for use with 24" wide cases [A]	+\$0
-----------	--	------

Step 4. Backsplash

4	4" high backsplash [A]	+\$0
N	no backsplash [A]	+\$0

Step 5. Finish

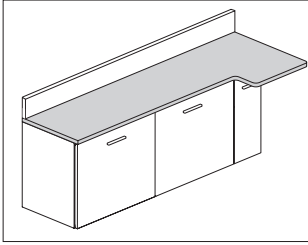
76	light brown walnut [A]	+\$0
8Q	folkstone grey [A]	+\$0
91	white [A]	+\$0
98	studio white [A]	+\$0
CL	cool grey neutral [A]	+\$0
HF	inner tone light [A]	+\$0
HM	natural maple [A]	+\$0
HP	light anigre [A]	+\$0
HT	inner tone [A]	+\$0
HX	aged cherry [A]	+\$0
HY	walnut on cherry [A]	+\$0
LA	light ash [A]	+\$0
LBA	clear on ash [A]	+\$0
LBB	oak on ash [A]	+\$0
LBC	walnut on ash [A]	+\$0
LBD	dark brown walnut [A]	+\$0
LBE	medium red walnut [A]	+\$0
LBF	neutral twill [A]	+\$0

LBG	sarum twill A	+\$0	LBJ	graphite twill A	+\$0
LBH	earthen twill A	+\$0	LBK	pewter mesh A	+\$0
LBJ	graphite twill A	+\$0	LBL	steel mesh A	+\$0
LBM	crisp linen A	+\$0	LBM	crisp linen A	+\$0
LBN	classic linen A	+\$0	LBN	classic linen A	+\$0
LBP	casual linen A	+\$0	LBP	casual linen A	+\$0
LBQ	white twill A	+\$0	LBQ	white twill A	+\$0
LBR	phantom ecru A	+\$0	LU	soft white A	+\$0
LBS	phantom cocoa A	+\$0	MT	medium tone A	+\$0
LBU	medium matte walnut A	+\$0	WL	sandstone A	+\$0
LBV	warm grey teak A	+\$0	WN	warm grey neutral A	+\$0
LM	mahogany A	+\$0			
LT	light tone A	+\$0			
LU	soft white A	+\$0			
MT	medium tone A	+\$0			
OL	white oak (nonstandard) A	+\$0			
WL	sandstone A	+\$0			
WN	warm grey neutral A	+\$0			

Step 6. Edge Finish

76	light brown walnut A	+\$0
8Q	folkstone grey A	+\$0
8Z	neutral grey A	+\$0
91	white A	+\$0
98	studio white A	+\$0
BU	black umber A	+\$0
CL	cool grey neutral A	+\$0
HF	inner tone light A	+\$0
HM	natural maple A	+\$0
HP	light anigre A	+\$0
HT	inner tone A	+\$0
HX	aged cherry A	+\$0
HY	walnut on cherry A	+\$0
JB	millwork cherry A	+\$0
LA	light ash A	+\$0
LBA	clear on ash A	+\$0
LBR	phantom ecru A	+\$0
LBS	phantom cocoa A	+\$0
LBU	medium matte walnut A	+\$0
LBV	warm grey teak A	+\$0
LBB	oak on ash A	+\$0
LBC	walnut on ash A	+\$0
LBD	dark brown walnut A	+\$0
LBE	medium red walnut A	+\$0
LBF	neutral twill A	+\$0
LBG	sarum twill A	+\$0
LBH	earthen twill A	+\$0

HPL Work Surface with Work End CH630.



Product Information

Description

This HPL work surface with work end attaches to the top of 1 or more base cabinets. The work end allows for a quick touchdown space and can integrate technology.

Notes

Surface is 1" thick.

Work end adds 18" to width and is 26" deep.

When using in-line technology cabinet (CH720.) below, do not include its width when specifying the total width of cabinets below surface.

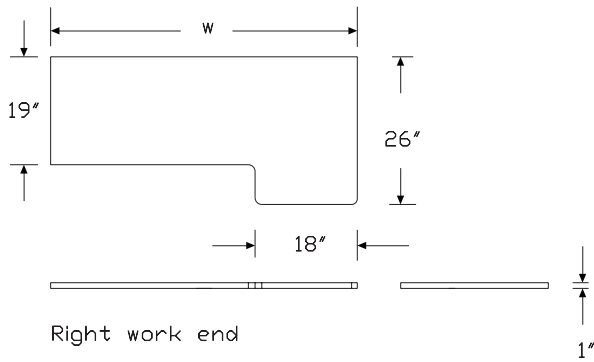
To use Flo® monitor arm attached to surface, order cast grommet (Y92050.01) for use with Flo monitor arm (Y91171.GRo) separately.

Grommet hole is field cut.

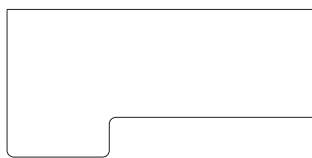
Order the following products separately:

- Wall-mounted drawer or door base cabinets (CH200., CH210.)
- To-the-floor drawer or door base cabinets (CH220., CH230.)
- (2) Surface wall attachment supports (CH646.)
- HPL backsplash (CH650.)

Dimensions



Right work end



Left work end

Specification Information

Step 1.

CH630.

Step 2. Depth

19	19" deep	+\$335
-----------	----------	--------

Step 3. Width

48	48" wide surface, for use with 30" wide cabinets	+\$0
54	54" wide surface, for use with 36" wide cabinets	+\$31
60	60" wide surface, for use with 42" wide cabinets	+\$61
66	66" wide surface, for use with 48" wide cabinets	+\$92
72	72" wide surface, for use with 54" wide cabinets	+\$112
78	78" wide surface, for use with 60" wide cabinets	+\$137

Step 4. Work End/Extension Side

L	surface extension to left	+\$0
R	surface extension to right	+\$0

Step 5. Top Finish

LBR	phantom ecru	+\$0
LBS	phantom cocoa	+\$0
LBV	warm grey teak	+\$0
76	light brown walnut	+\$0
8Q	folkstone grey	+\$0
91	white	+\$0
98	studio white	+\$0
CL	cool grey neutral	+\$0
HF	inner tone light	+\$0
HM	natural maple	+\$0
HP	light anigre	+\$0
HT	inner tone	+\$0
HX	aged cherry	+\$0
HY	walnut on cherry	+\$0
LA	light ash	+\$0
LBA	clear on ash	+\$0
LBB	oak on ash	+\$0
LBC	walnut on ash	+\$0
LBD	dark brown walnut	+\$0
LBE	medium red walnut	+\$0
LBF	neutral twill	+\$0
LBG	sarum twill	+\$0
LBH	earthen twill	+\$0
LBJ	graphite twill	+\$0
LBM	crisp linen	+\$0
LBN	classic linen	+\$0
LBP	casual linen	+\$0

HPL Work Surface with Work End

continued

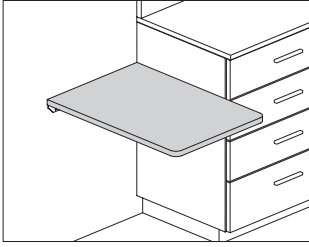
LBQ	white twill	+\$0	OG	honey maple	+\$0
LBU	medium matte walnut	+\$0	WL	sandstone	+\$0
LT	light tone	+\$0	WN	warm grey neutral	+\$0
LU	soft white	+\$0			
MT	medium tone	+\$0			
OG	honey maple	+\$0			
OL	white oak (nonstandard)	+\$0			
WL	sandstone	+\$0			
WN	warm grey neutral	+\$0			

Step 6. Edge

76	light brown walnut	+\$0
8Q	folkstone grey	+\$0
8Z	neutral grey	+\$0
91	white	+\$0
98	studio white	+\$0
BU	black umber	+\$0
CL	cool grey neutral	+\$0
HF	inner tone light	+\$0
HM	natural maple	+\$0
HP	light anigre	+\$0
HT	inner tone	+\$0
HX	aged cherry	+\$0
HY	walnut on cherry	+\$0
JB	millwork cherry	+\$0
LA	light ash	+\$0
LBA	clear on ash	+\$0
LBR	phantom ecru	+\$0
LBS	phantom cocoa	+\$0
LBV	warm grey teak	+\$0
LBU	medium matte walnut	+\$0
LBB	oak on ash	+\$0
LBC	walnut on ash	+\$0
LBD	dark brown walnut	+\$0
LBE	medium red walnut	+\$0
LBF	neutral twill	+\$0
LBG	sarum twill	+\$0
LBH	earthen twill	+\$0
LBJ	graphite twill	+\$0
LBK	pewter mesh	+\$0
LBL	steel mesh	+\$0
LBM	crisp linen	+\$0
LBN	classic linen	+\$0
LBP	casual linen	+\$0
LBQ	white twill	+\$0
LU	soft white	+\$0
MT	medium tone	+\$0

Corian Seated-Height Work Surface

CH640.



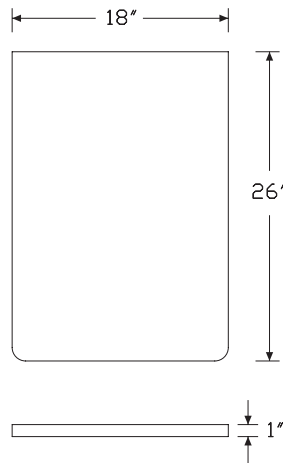
Product Information

Description
 This Corian® seated-height surface attaches to a wall with a support bracket. Surface is designed as a touchdown space at the end of a cabinet run.

Notes

Mounted surface height is 29" AFF.
 Order 2 surface wall attachment supports (CH646.) separately.

Dimensions



Mora™ Surfaces

Specification Information

Step 1.

CH640.

Step 2. Depth

- 19** 19" deep
- 26** 26" deep

Step 3. Width

For 19" deep (19)

- 24** 24" wide

For 26" deep (26)

- 18** 18" wide

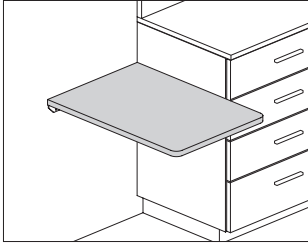
Prices for Steps 1-3.

	18	24
CH640. 19	—	\$261
26	\$266	—

Step 4. Finish

58	cameo white	+\$0
CQ	glacier white	+\$0
QB	bisque	+\$0
1U	sahara	+\$20
4I	sandstone	+\$20
1S	savannah	+\$95
OQ	silt	+\$95
CRT	concrete	+\$150
FWN	fawn	+\$150
PGY	pearl gray	+\$150
SNS	serene sage	+\$150

HPL Seated-Height Work Surface CH645.



Product Information

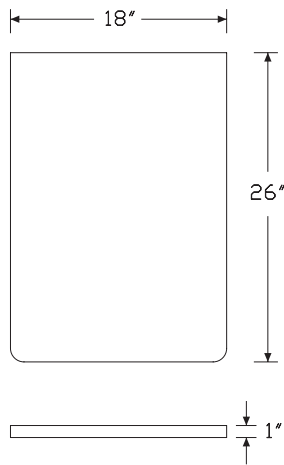
Description

This HPL seated-height surface attaches to a wall with a support bracket. Surface is designed as a touchdown space at the end of a cabinet run.

Notes

Mounted surface height is 29" AFF.
Order 2 surface wall attachment supports (CH646.) separately.

Dimensions



Specification Information

Step 1.

CH645.

Step 2. Depth

19 19" deep
26 26" deep

Step 3. Width

For 19" deep (19)

24 24" wide

For 26" deep (26)

18 18" wide

Prices for Steps 1-3.

	18	24
CH645. 19	—	\$170
26	\$177	—

Step 4. Finish

76	light brown walnut	+\$0
8Q	folkstone grey	+\$0
91	white	+\$0
98	studio white	+\$0
CL	cool grey neutral	+\$0
HF	inner tone light	+\$0
HM	natural maple	+\$0
HP	light anigre	+\$0
HT	inner tone	+\$0
HX	aged cherry	+\$0
HY	walnut on cherry	+\$0
LA	light ash	+\$0
LBA	clear on ash	+\$0
LBB	oak on ash	+\$0
LBC	walnut on ash	+\$0
LBD	dark brown walnut	+\$0
LBE	medium red walnut	+\$0
LBF	neutral twill	+\$0
LBG	sarum twill	+\$0
LBH	earthen twill	+\$0
LBJ	graphite twill	+\$0
LBM	crisp linen	+\$0
LBN	classic linen	+\$0
LBP	casual linen	+\$0
LBQ	white twill	+\$0

HPL Seated-Height Work Surface

continued

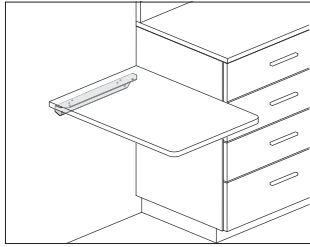
LBR	phantom ecru	+\$0	MT	medium tone	+\$0
LBS	phantom cocoa	+\$0	WL	sandstone	+\$0
LBU	medium matte walnut	+\$0	WN	warm grey neutral	+\$0
LBV	warm grey teak	+\$0			
LT	light tone	+\$0			
LU	soft white	+\$0			
MT	medium tone	+\$0			
OL	white oak (nonstandard)	+\$0			
WL	sandstone	+\$0			
WN	warm grey neutral	+\$0			

Step 5. Edge Finish

Mora™ Surfaces

76	light brown walnut	+\$0
8Q	folkstone grey	+\$0
8Z	neutral grey	+\$0
91	white	+\$0
98	studio white	+\$0
BU	black umber	+\$0
CL	cool grey neutral	+\$0
HF	inner tone light	+\$0
HM	natural maple	+\$0
HP	light anigre	+\$0
HT	inner tone	+\$0
HX	aged cherry	+\$0
HY	walnut on cherry	+\$0
JB	millwork cherry	+\$0
LA	light ash	+\$0
LBA	clear on ash	+\$0
LBR	phantom ecru	+\$0
LBS	phantom cocoa	+\$0
LBU	medium matte walnut	+\$0
LBV	warm grey teak	+\$0
LBB	oak on ash	+\$0
LBC	walnut on ash	+\$0
LBD	dark brown walnut	+\$0
LBE	medium red walnut	+\$0
LBF	neutral twill	+\$0
LBG	sarum twill	+\$0
LBH	earthen twill	+\$0
LBJ	graphite twill	+\$0
LBK	pewter mesh	+\$0
LBL	steel mesh	+\$0
LBM	crisp linen	+\$0
LBN	classic linen	+\$0
LBP	casual linen	+\$0
LBQ	white twill	+\$0
LU	soft white	+\$0

Surface Wall Attachment Support CH646.

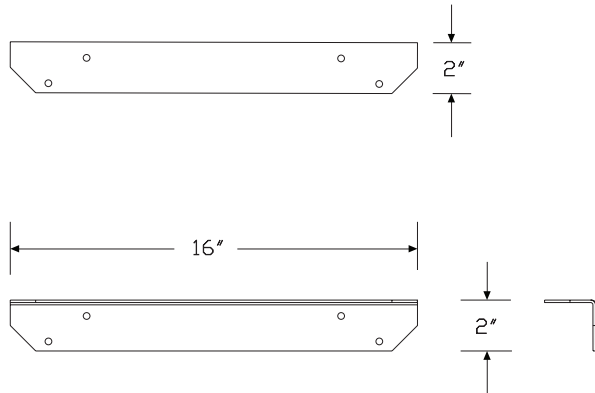


Product Information

Description

This bracket attaches to a wall to support a work surface with work end, peninsula, or seated height work surface.

Dimensions



Specification Information

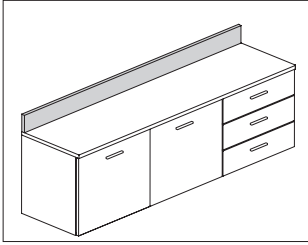
Step 1.

CH646.

\$71

HPL Backsplash

CH650.



Product Information

Description

This HPL backsplash sits on top of the HPL work surface.

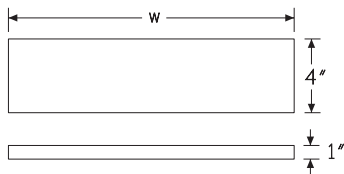
Notes

Backsplash is 1" thick.

Backsplash edges must be silicone sealed in the field.

Order HPL work surface (CH620.) or HPL work surface with work end (CH630.) separately.

Dimensions



Mora™ Surfaces

Specification Information

Step 1.

CH650.

Step 2. Height

4	4" high	+\$122
----------	---------	--------

Step 3. Width

18	18" wide	+\$0
24	24" wide	+\$31
30	30" wide	+\$51
36	36" wide	+\$66
42	42" wide	+\$82
48	48" wide	+\$97
54	54" wide	+\$132
60	60" wide	+\$147
66	66" wide	+\$163
72	72" wide	+\$178

Step 4. Finish

76	light brown walnut	+\$0
8Q	folkstone grey	+\$0
91	white	+\$0
98	studio white	+\$0
CL	cool grey neutral	+\$0
HF	inner tone light	+\$0
HM	natural maple	+\$0
HP	light anigre	+\$0
HT	inner tone	+\$0
HX	aged cherry	+\$0
HY	walnut on cherry	+\$0
LA	light ash	+\$0
LBA	clear on ash	+\$0
LBB	oak on ash	+\$0
LBC	walnut on ash	+\$0
LBD	dark brown walnut	+\$0
LBE	medium red walnut	+\$0
LBF	neutral twill	+\$0
LBG	sarum twill	+\$0
LBH	earthen twill	+\$0
LBJ	graphite twill	+\$0
LBM	crisp linen	+\$0
LBN	classic linen	+\$0
LBP	casual linen	+\$0
LBQ	white twill	+\$0
LBR	phantom ecru	+\$0
LBS	phantom cocoa	+\$0

HPL Backsplash *continued*

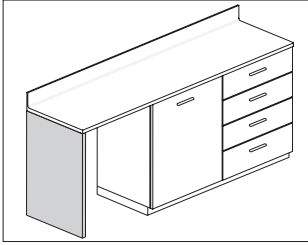
LBU	medium matte walnut	+\$0
LBV	warm grey teak	+\$0
LT	light tone	+\$0
LU	soft white	+\$0
MT	medium tone	+\$0
WL	sandstone	+\$0
WN	warm grey neutral	+\$0

Step 5. Edge Finish

76	light brown walnut	+\$0
8Q	folkstone grey	+\$0
8Z	neutral grey	+\$0
91	white	+\$0
98	studio white	+\$0
BU	black umber	+\$0
CL	cool grey neutral	+\$0
HF	inner tone light	+\$0
HM	natural maple	+\$0
HP	light anigre	+\$0
HT	inner tone	+\$0
HX	aged cherry	+\$0
HY	walnut on cherry	+\$0
JB	millwork cherry	+\$0
LA	light ash	+\$0
LBA	clear on ash	+\$0
LBR	phantom ecru	+\$0
LBS	phantom cocoa	+\$0
LBV	warm grey teak	+\$0
LBU	medium matte walnut	+\$0
LBB	oak on ash	+\$0
LBC	walnut on ash	+\$0
LBD	dark brown walnut	+\$0
LBE	medium red walnut	+\$0
LBF	neutral twill	+\$0
LBG	sarum twill	+\$0
LBH	earthen twill	+\$0
LBJ	graphite twill	+\$0
LBK	pewter mesh	+\$0
LBL	steel mesh	+\$0
LBM	crisp linen	+\$0
LBN	classic linen	+\$0
LBP	casual linen	+\$0
LBQ	white twill	+\$0
LU	soft white	+\$0
MT	medium tone	+\$0
WL	sandstone	+\$0
WN	warm grey neutral	+\$0

End Panel

CH655.



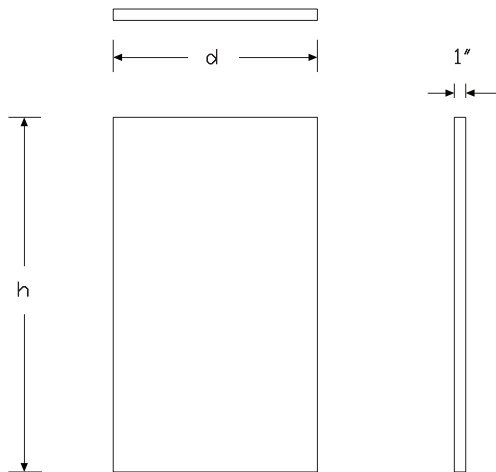
Product Information

Description
 This laminate panel supports an extended work surface. The panel has one 2" adjustable glide to level the surface above an uneven floor. Attachment hardware sold separately.

Notes

- Order the following products separately:
- Corian® work surface (CH600.)
 - Corian work surface with sink (CH605., CH606., CH607)
 - HPL work surface (CH620.)
 - (2) Surface wall attachment supports (CH646.). See planning guide for further instructions.

Dimensions



Mora™ Surfaces

Specification Information

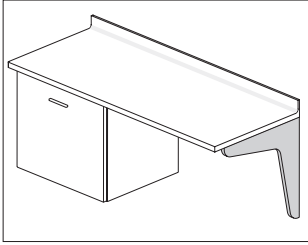
Step 1.		
CH655.		
Step 2. Height		
34	34" high	+\$223
36	36" high	+\$229
Step 3. Depth of Worksurface		
19	19" deep	+\$0
24	24" deep	+\$21
30	30" deep	+\$31
Step 4. Material		
H	high-pressure laminate	+\$0
Step 5. Grain Direction		
HRG	horizontal grain	+\$0
VTG	vertical grain	+\$0
Step 6. Finish		
76	light brown walnut	+\$0
8Q	folkstone grey	+\$0
91	white	+\$0
98	studio white	+\$0
CL	cool grey neutral	+\$0
HF	inner tone light	+\$0
HM	natural maple	+\$0
HP	light anigre	+\$0
HT	inner tone	+\$0
HX	aged cherry	+\$0
HY	walnut on cherry	+\$0
LA	light ash	+\$0
LBA	clear on ash	+\$0
LBR	phantom ecru	+\$0
LBS	phantom cocoa	+\$0
LBV	warm grey teak	+\$0
LBU	medium matte walnut	+\$0
LBB	oak on ash	+\$0
LBC	walnut on ash	+\$0
LBD	dark brown walnut	+\$0
LBE	medium red walnut	+\$0
LBF	neutral twill	+\$0
LBG	sarum twill	+\$0
LBH	earthen twill	+\$0
LBJ	graphite twill	+\$0
LBM	crisp linen	+\$0

End Panel *continued*

LBN	classic linen	+\$0
LBP	casual linen	+\$0
LBQ	white twill	+\$0
LT	light tone	+\$0
LU	soft white	+\$0
MT	medium tone	+\$0
OL	white oak (nonstandard)	+\$0
OG	honey maple	+\$0
WL	sandstone	+\$0
WN	warm grey neutral	+\$0

Cantilever

CH660.



Product Information

Description

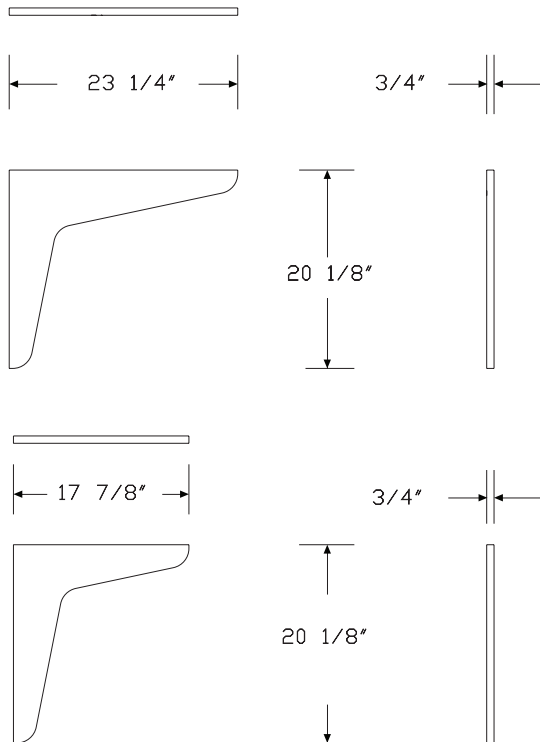
This cantilever attaches to an architectural wall to support a work surface. Attachment hardware not included.

Notes

Order the following surfaces separately:

- Corian® work surface (CH600.)
- Corian work surface with sink (CH605., CH606.)
- HPL work surface (CH620.)
- Surface wall attachment support (CH646.)

Dimensions



Specification Information

Step 1.

CH660.

Step 2. Depth of Worksurface

19	19" deep <input type="checkbox"/>	+\$168
24	24" deep <input type="checkbox"/>	+\$188

Step 3. Material

H	high-pressure laminate <input type="checkbox"/>	+\$77
L	low-pressure laminate <input type="checkbox"/>	+\$0

Step 4. Grain Direction

HRG	horizontal grain <input type="checkbox"/>	+\$0
VTG	vertical grain <input type="checkbox"/>	+\$0

Step 5. Finish

For low-pressure laminate (L)

76	light brown walnut <input type="checkbox"/>	+\$0
8Q	folkstone grey <input type="checkbox"/>	+\$0
91	white <input type="checkbox"/>	+\$0
98	studio white <input type="checkbox"/>	+\$0
CL	cool grey neutral <input type="checkbox"/>	+\$0
HM	natural maple <input type="checkbox"/>	+\$0
HP	light anigre <input type="checkbox"/>	+\$0
HX	aged cherry <input type="checkbox"/>	+\$0
HY	walnut on cherry <input type="checkbox"/>	+\$0
LA	light ash <input type="checkbox"/>	+\$0
LBA	clear on ash <input type="checkbox"/>	+\$0
LBB	oak on ash <input type="checkbox"/>	+\$0
LBC	walnut on ash <input type="checkbox"/>	+\$0
LBD	dark brown walnut <input type="checkbox"/>	+\$0
LBE	medium red walnut <input type="checkbox"/>	+\$0
LBF	neutral twill <input type="checkbox"/>	+\$0
LBG	sarum twill <input type="checkbox"/>	+\$0
LBH	earthen twill <input type="checkbox"/>	+\$0
LBJ	graphite twill <input type="checkbox"/>	+\$0
LBK	pewter mesh <input type="checkbox"/>	+\$0
LBL	steel mesh <input type="checkbox"/>	+\$0
LBM	crisp linen <input type="checkbox"/>	+\$0
LBN	classic linen <input type="checkbox"/>	+\$0
LBP	casual linen <input type="checkbox"/>	+\$0
LBQ	white twill <input type="checkbox"/>	+\$0
LU	soft white <input type="checkbox"/>	+\$0
WL	sandstone <input type="checkbox"/>	+\$0
WN	warm grey neutral <input type="checkbox"/>	+\$0

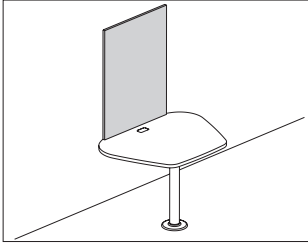
Cantilever *continued*

For high-pressure laminate (H)

76	light brown walnut <input type="checkbox"/> A	+\$0
8Q	folkstone grey <input type="checkbox"/> A	+\$0
91	white <input type="checkbox"/> A	+\$0
98	studio white <input type="checkbox"/> A	+\$0
CL	cool grey neutral <input type="checkbox"/> A	+\$0
HF	inner tone light <input type="checkbox"/> A	+\$0
HM	natural maple <input type="checkbox"/> A	+\$0
HP	light anigre <input type="checkbox"/> A	+\$0
HT	inner tone <input type="checkbox"/> A	+\$0
HX	aged cherry <input type="checkbox"/> A	+\$0
HY	walnut on cherry <input type="checkbox"/> A	+\$0
LA	light ash <input type="checkbox"/> A	+\$0
LBA	clear on ash <input type="checkbox"/> A	+\$0
LBB	oak on ash <input type="checkbox"/> A	+\$0
LBC	walnut on ash <input type="checkbox"/> A	+\$0
LBD	dark brown walnut <input type="checkbox"/> A	+\$0
LBE	medium red walnut <input type="checkbox"/> A	+\$0
LBF	neutral twill <input type="checkbox"/> A	+\$0
LBG	sarum twill <input type="checkbox"/> A	+\$0
LBH	earthen twill <input type="checkbox"/> A	+\$0
LBJ	graphite twill <input type="checkbox"/> A	+\$0
LBM	crisp linen <input type="checkbox"/> A	+\$0
LBN	classic linen <input type="checkbox"/> A	+\$0
LBP	casual linen <input type="checkbox"/> A	+\$0
LBQ	white twill <input type="checkbox"/> A	+\$0
LT	light tone <input type="checkbox"/> A	+\$0
LU	soft white <input type="checkbox"/> A	+\$0
MT	medium tone <input type="checkbox"/> A	+\$0
WL	sandstone <input type="checkbox"/> A	+\$0
WN	warm grey neutral <input type="checkbox"/> A	+\$0
ZZ	open line laminate (nonstandard) <input type="checkbox"/> A	+\$20

Backdrop Panel

CH670.



Product Information

Description

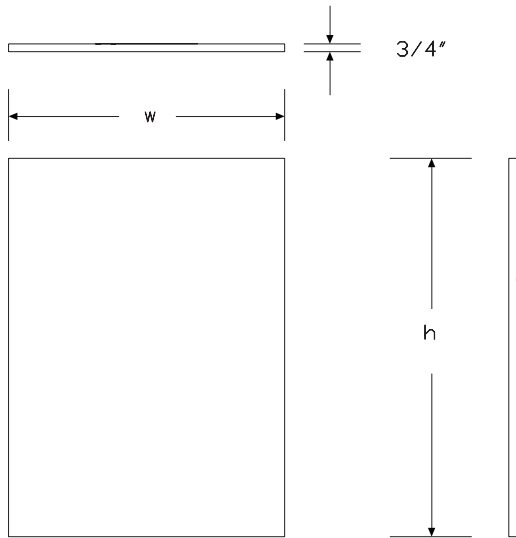
This panel attaches above a work surface or technology cabinet to provide a home for technology. Attachment hardware included.

Notes

Variety of heights allow panel to align with top of all overhead cabinets and towers, including sloped tops. See Planning Guide for height alignment.

Dimensions

Mora™ Surfaces



Specification Information

Step 1.

CH670.

Step 2. Height

11	11" high	+\$340
15	15" high	+\$345
19	19" high	+\$350
22	22" high	+\$457
26	26" high	+\$360
29	29" high	+\$365
30	30" high	+\$367
32	32" high	+\$373
33	33" high	+\$375
37	37" high	+\$384
38	38" high	+\$386
45	45" high	+\$406

Step 3. Width

24	24" wide	-\$50
27	27" wide	-\$47
30	30" wide	-\$45
36	36" wide	-\$30
42	42" wide	-\$15
48	48" wide	+\$0
54	54" wide	+\$16
60	60" wide	+\$31
66	66" wide	+\$41
72	72" wide	+\$51

Step 4. Material

L	low-pressure laminate	+\$0
H	high-pressure laminate	+\$153

Step 5. Grain Direction

For 24" wide (24), 27" wide (27), 30" wide (30), 36" wide (36), 42" wide (42), 48" wide (48), 54" wide (54), or 60" wide (60)

HRG	horizontal grain	+\$0
VTG	vertical grain	+\$0

For 66" wide (66) or 72" wide (72)

HRG	horizontal grain	+\$0
------------	------------------	------

Backdrop Panel *continued*

Step 6. Finish

For low-pressure laminate (L)

76	light brown walnut	+\$0
8Q	folkstone grey	+\$0
91	white	+\$0
98	studio white	+\$0
CL	cool grey neutral	+\$0
HM	natural maple	+\$0
HP	light anigre	+\$0
HX	aged cherry	+\$0
HY	walnut on cherry	+\$0
LA	light ash	+\$0
LBA	clear on ash	+\$0
LBR	phantom ecru	+\$0
LBS	phantom cocoa	+\$0
LBU	medium matte walnut	+\$0
LBV	warm grey teak	+\$0
LBB	oak on ash	+\$0
LBC	walnut on ash	+\$0
LBD	dark brown walnut	+\$0
LBE	medium red walnut	+\$0
LBF	neutral twill	+\$0
LBG	sarum twill	+\$0
LBH	earthen twill	+\$0
LBJ	graphite twill	+\$0
LBK	pewter mesh	+\$0
LBL	steel mesh	+\$0
LBM	crisp linen	+\$0
LBN	classic linen	+\$0
LBP	casual linen	+\$0
LBQ	white twill	+\$0
LU	soft white	+\$0
WL	sandstone	+\$0
WN	warm grey neutral	+\$0

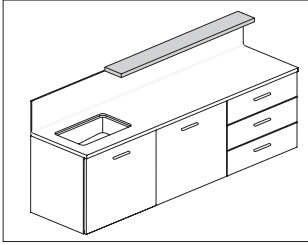
For high-pressure laminate (H)

76	light brown walnut	+\$0
8Q	folkstone grey	+\$0
91	white	+\$0
98	studio white	+\$0
BU	black umber	+\$0
CL	cool grey neutral	+\$0
HF	inner tone light	+\$0
HM	natural maple	+\$0
HP	light anigre	+\$0
HT	inner tone	+\$0

HX	aged cherry	+\$0
HY	walnut on cherry	+\$0
LA	light ash	+\$0
LBA	clear on ash	+\$0
LBR	phantom ecru	+\$0
LBS	phantom cocoa	+\$0
LBV	warm grey teak	+\$0
LBU	medium matte walnut	+\$0
LBB	oak on ash	+\$0
LBC	walnut on ash	+\$0
LBD	dark brown walnut	+\$0
LBE	medium red walnut	+\$0
LBF	neutral twill	+\$0
LBG	sarum twill	+\$0
LBH	earthen twill	+\$0
LBJ	graphite twill	+\$0
LBM	crisp linen	+\$0
LBN	classic linen	+\$0
LBP	casual linen	+\$0
LBQ	white twill	+\$0
LT	light tone	+\$0
LU	soft white	+\$0
MT	medium tone	+\$0
WL	sandstone	+\$0
WN	warm grey neutral	+\$0

Floating Shelf

CH675.



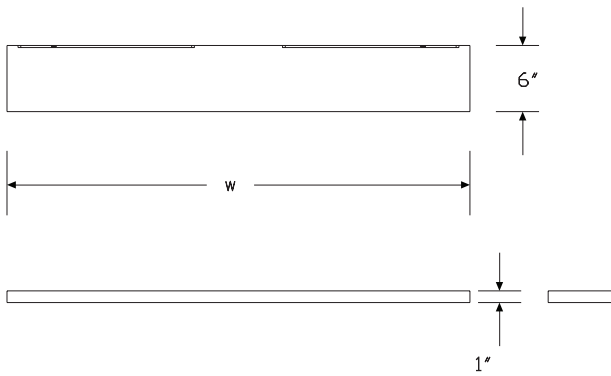
Product Information

Description
This HPL shelf attaches directly to a wall or backdrop panel. Attachment hardware included.

Notes
Shelf is 1" thick.
Grain direction is always horizontal.

Dimensions

Mora™ Surfaces



Specification Information

Step 1.
CH675.

Step 2. Width		
24	24" wide	+\$279
30	30" wide	+\$305
36	36" wide	+\$330
42	42" wide	+\$355
48	48" wide	+\$381
54	54" wide	+\$406
60	60" wide	+\$431
66	66" wide	+\$457
72	72" wide	+\$482

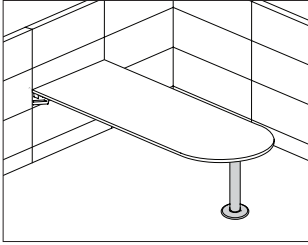
Step 3. Finish		
LBR	phantom ecru	+\$0
LBS	phantom cocoa	+\$0
LBV	warm grey teak	+\$0
76	light brown walnut	+\$0
8Q	folkstone grey	+\$0
91	white	+\$0
98	studio white	+\$0
CL	cool grey neutral	+\$0
HF	inner tone light	+\$0
HM	natural maple	+\$0
HP	light anigre	+\$0
HT	inner tone	+\$0
HX	aged cherry	+\$0
HY	walnut on cherry	+\$0
LA	light ash	+\$0
LBA	clear on ash	+\$0
LBB	oak on ash	+\$0
LBC	walnut on ash	+\$0
LBD	dark brown walnut	+\$0
LBE	medium red walnut	+\$0
LBF	neutral twill	+\$0
LBG	sarum twill	+\$0
LBH	earthen twill	+\$0
LBJ	graphite twill	+\$0
LBM	crisp linen	+\$0
LBN	classic linen	+\$0
LBP	casual linen	+\$0
LBQ	white twill	+\$0
LBU	medium matte walnut	+\$0
LT	light tone	+\$0
LU	soft white	+\$0

Floating Shelf *continued*

MT	medium tone	+\$0
OL	white oak (nonstandard)	+\$0
WL	sandstone	+\$0
WN	warm grey neutral	+\$0
ZZ	open line laminate (nonstandard)	+\$20

Step 4. Edge Finish

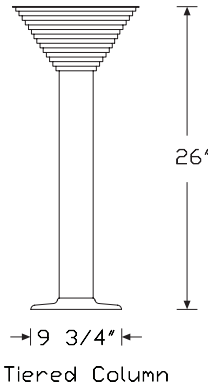
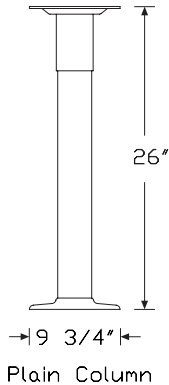
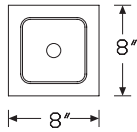
LBR	phantom ecru	+\$0
LBS	phantom cocoa	+\$0
LBV	warm grey teak	+\$0
76	light brown walnut	+\$0
8Q	folkstone grey	+\$0
8Z	neutral grey	+\$0
91	white	+\$0
98	studio white	+\$0
BU	black umber	+\$0
CL	cool grey neutral	+\$0
HF	inner tone light	+\$0
HM	natural maple	+\$0
HP	light anigre	+\$0
HT	inner tone	+\$0
HX	aged cherry	+\$0
HY	walnut on cherry	+\$0
JB	millwork cherry	+\$0
LA	light ash	+\$0
LBA	clear on ash	+\$0
LBB	oak on ash	+\$0
LBC	walnut on ash	+\$0
LBD	dark brown walnut	+\$0
LBE	medium red walnut	+\$0
LBF	neutral twill	+\$0
LBG	sarum twill	+\$0
LBH	earthen twill	+\$0
LBJ	graphite twill	+\$0
LBK	pewter mesh	+\$0
LBL	steel mesh	+\$0
LBM	crisp linen	+\$0
LBN	classic linen	+\$0
LBP	casual linen	+\$0
LBQ	white twill	+\$0
LBU	medium matte walnut	+\$0
LU	soft white	+\$0
MT	medium tone	+\$0
WL	sandstone	+\$0
WN	warm grey neutral	+\$0



Product Information

Description
 This column attaches to the far end of a peninsula or D-shaped surface. The column adjusts the work surface height from 27½" to 31½". Attachment hardware is included.

Dimensions



Specification Information

Step 1.

E2394.

Step 2. Column Option

- DY** plain column
- DZ** tiered column

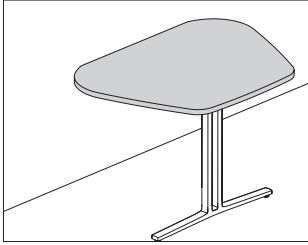
Prices for Steps 1-2.

E2394. DY	\$307
DZ	\$307

Step 3. Surface Finish

8Q	folkstone grey	+\$0
91	white	+\$0
BU	black umber	+\$0
HF	inner tone light	+\$0
LU	soft white	+\$0
MT	medium tone	+\$0
SG	slate grey	+\$0
WL	sandstone	+\$0
CN	metallic champagne	+\$0
EH	metallic bronze	+\$0
MS	metallic silver	+\$0

Mora™ Surfaces



Product Information

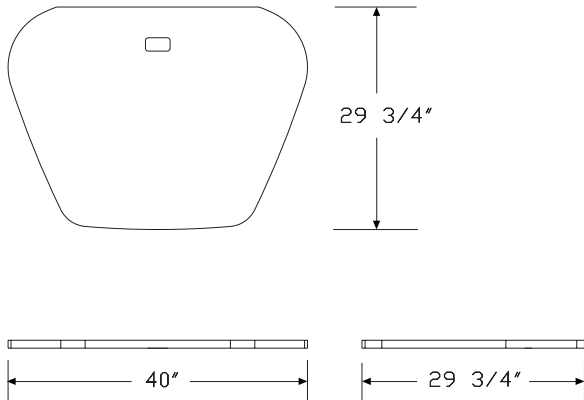
Description

This Corian® peninsula is designed to be used with a technology cabinet or as a stand-alone surface to create a conversation zone.

Notes

Order surface wall attachment support (CH646.) separately.
 Order peninsula leg (CH690.) or Ethospace® peninsula column support (E2394.DY) separately.
 To use Flo® monitor arm attached to wall, order Flo single screen monitor arm support (Y91171.WMo) separately.
 When specifying grommet cutout (C) option, to hide the raw wood in the hole, order Logic mini rectangle grommet (Y1412.1) separately.

Dimensions



Specification Information

Step 1.

CH680.

Step 2. Grommet Cutout

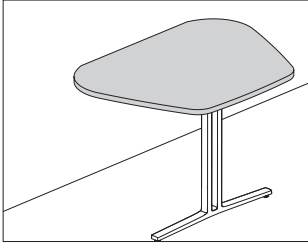
- C** cutout
- N** no cutout

Prices for Steps 1-2.

CH680. C	\$1571
N	\$1520

Step 3. Finish

1S	savannah	+ \$250
1U	sahara	+ \$50
4I	sandstone	+ \$50
58	cameo white	+ \$0
CQ	glacier white	+ \$0
CRT	concrete	+ \$415
FWN	fawn	+ \$415
OQ	silt	+ \$250
PGY	pearl gray	+ \$415
QB	bisque	+ \$0
SNS	serene sage	+ \$415



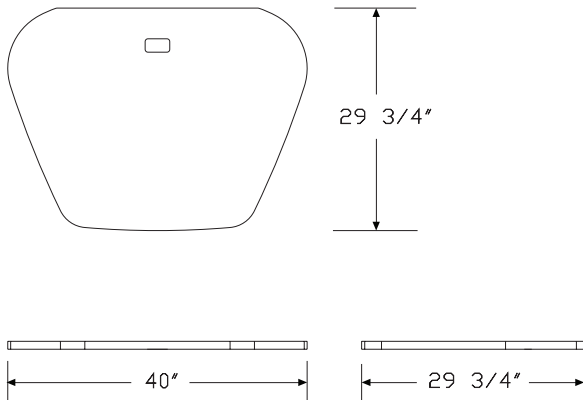
Product Information

Description
 This HPL peninsula is designed to be used with a technology cabinet or as a stand-alone surface to create a conversation zone.

Notes

Order surface wall attachment support (CH646.) separately.
 Order peninsula leg (CH690.) or Ethospace® peninsula column support (E2394.DY) separately.
 To use Flo® monitor arm attached to wall, order Flo single screen monitor arm support (Y91171.WMoI) separately.
 When specifying grommet cutout (C) option, to hide the raw wood in the hole, order Logic mini rectangle grommet (Y1412.1) separately.

Dimensions



Mora™ Surfaces

Specification Information

Step 1.

CH685. A

Step 2. Grommet Cutout

- C** cutout
- N** no cutout

Prices for Steps 1-2.

CH685. C	\$299
N	\$279

Step 3. Finish

76	light brown walnut	+\$0
8Q	folkstone grey	+\$0
91	white	+\$0
98	studio white	+\$0
CL	cool grey neutral	+\$0
HF	inner tone light	+\$0
HM	natural maple	+\$0
HP	light anigre	+\$0
HT	inner tone	+\$0
HX	aged cherry	+\$0
HY	walnut on cherry	+\$0
LA	light ash	+\$0
LBA	clear on ash	+\$0
LBR	phantom ecru	+\$0
LBS	phantom cocoa	+\$0
LBV	warm grey teak	+\$0
LBU	medium matte walnut	+\$0
LBB	oak on ash	+\$0
LBC	walnut on ash	+\$0
LBD	dark brown walnut	+\$0
LBE	medium red walnut	+\$0
LBF	neutral twill	+\$0
LBG	sarum twill	+\$0
LBH	earthen twill	+\$0
LBJ	graphite twill	+\$0
LBM	crisp linen	+\$0
LBN	classic linen	+\$0
LBP	casual linen	+\$0
LBQ	white twill	+\$0
LT	light tone	+\$0
LU	soft white	+\$0
MT	medium tone	+\$0
OL	white oak (nonstandard)	+\$0
WL	sandstone	+\$0

HPL Peninsula *continued*

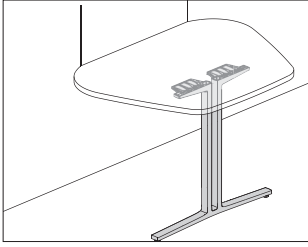
WN	warm grey neutral	+\$0
ZZ	open line laminate (nonstandard)	+\$20

Step 4. Edge

76	light brown walnut	+\$0
8Q	folkstone grey	+\$0
8Z	neutral grey	+\$0
91	white	+\$0
98	studio white	+\$0
BU	black umber	+\$0
CL	cool grey neutral	+\$0
HF	inner tone light	+\$0
HM	natural maple	+\$0
HP	light anigre	+\$0
HT	inner tone	+\$0
HX	aged cherry	+\$0
HY	walnut on cherry	+\$0
JB	millwork cherry	+\$0
LA	light ash	+\$0
LBA	clear on ash	+\$0
LBR	phantom ecru	+\$0
LBS	phantom cocoa	+\$0
LBV	warm grey teak	+\$0
LBU	medium matte walnut	+\$0
LBB	oak on ash	+\$0
LBC	walnut on ash	+\$0
LBD	dark brown walnut	+\$0
LBE	medium red walnut	+\$0
LBF	neutral twill	+\$0
LBG	sarum twill	+\$0
LBH	earthen twill	+\$0
LBJ	graphite twill	+\$0
LBK	pewter mesh	+\$0
LBL	steel mesh	+\$0
LBM	crisp linen	+\$0
LBN	classic linen	+\$0
LBP	casual linen	+\$0
LBQ	white twill	+\$0
LU	soft white	+\$0
MT	medium tone	+\$0
WL	sandstone	+\$0
WN	warm grey neutral	+\$0

Peninsula Leg

CH690.



Product Information

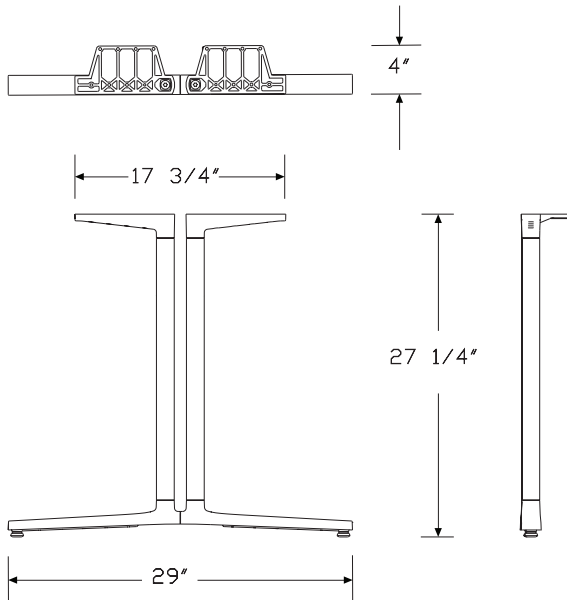
Description
This peninsula leg supports Corian® and HPL peninsulas. Attachment hardware included.

Notes

- Order peninsulas separately:
- Corian peninsula (CH680.)
 - HPL peninsula (CH685.)

Dimensions

Mora™ Surfaces



Specification Information

Step 1.

CH690.

Step 2. Style

E everywhere leg

Prices for Steps 1-2.

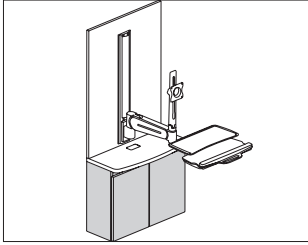
CH690. E \$223

Step 3. Finish

BU	black umber	+ \$0
8Q	folkstone grey	+ \$0
91	white	+ \$0
CL	cool grey neutral	+ \$0
G2	graphite satin	+ \$0
HF	inner tone light	+ \$0
LU	soft white	+ \$0
MT	medium tone	+ \$0
SG	slate grey	+ \$0
WL	sandstone	+ \$0
WN	warm grey neutral	+ \$0
CN	metallic champagne	+ \$0
EH	metallic bronze	+ \$0
MS	metallic silver	+ \$0
CD	polished aluminum	+ \$70

Wall-Mounted Technology Cabinet

CH700.



Product Information

Description

This wall-mounted technology cabinet is designed to conceal a CPU. A peninsula or small technology cabinet surface complete the solution.

Notes

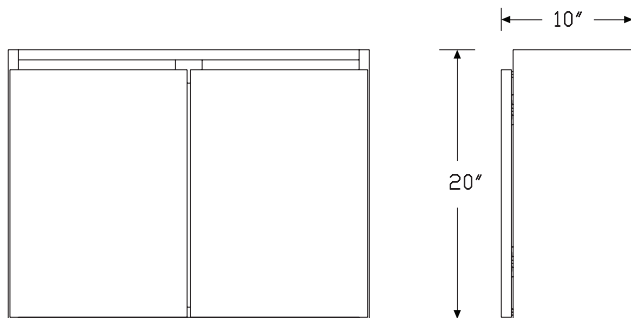
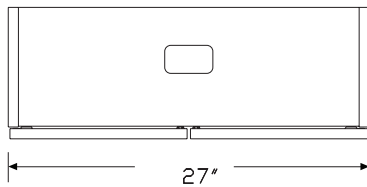
Bottom panel inside cabinet has 1" gap along back edge for venting.

Cabinet comes standard with cutout in top for wire management.

Order the following products separately:

- Corian® peninsula (CH680.)
- HPL peninsula (CH685.)
- Small technology cabinet surface (CH710.)
- Backdrop panel (CH670.)
- Hanging cleat (CH100.)
- Thrive® wall-mounted technology supports

Dimensions



Specification Information

Step 1.

CH700.

Step 2. Width

27 27" wide +\$801

Step 3. Depth

09 9" deep +\$0

Step 4. Material

H high-pressure laminate +\$223

L low-pressure laminate +\$0

Step 5. Grain Direction

HRG horizontal grain +\$0

VTG vertical grain +\$0

Wall-Mounted Technology Cabinet *continued*

Step 6. Finish

For low-pressure laminate (L)

76	light brown walnut	+\$0
8Q	folkstone grey	+\$0
91	white	+\$0
98	studio white	+\$0
CL	cool grey neutral	+\$0
HM	natural maple	+\$0
HP	light anigre	+\$0
HX	aged cherry	+\$0
HY	walnut on cherry	+\$0
LA	light ash	+\$0
LBA	clear on ash	+\$0
LBB	oak on ash	+\$0
LBC	walnut on ash	+\$0
LBD	dark brown walnut	+\$0
LBE	medium red walnut	+\$0
LBF	neutral twill	+\$0
LBG	sarum twill	+\$0
LBH	earthen twill	+\$0
LBJ	graphite twill	+\$0
LBK	pewter mesh	+\$0
LBL	steel mesh	+\$0
LBM	crisp linen	+\$0
LBN	classic linen	+\$0
LBP	casual linen	+\$0
LBQ	white twill	+\$0
LBR	phantom ecru	+\$0
LBS	phantom cocoa	+\$0
LBU	medium matte walnut	+\$0
LBV	warm grey teak	+\$0
LU	soft white	+\$0
WL	sandstone	+\$0
WN	warm grey neutral	+\$0

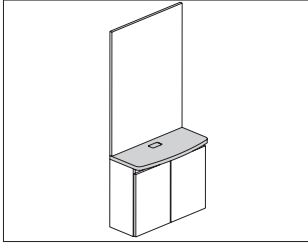
For high-pressure laminate (H)

76	light brown walnut	+\$0
8Q	folkstone grey	+\$0
91	white	+\$0
98	studio white	+\$0
CL	cool grey neutral	+\$0
HF	inner tone light	+\$0
HM	natural maple	+\$0
HP	light anigre	+\$0
HT	inner tone	+\$0
HX	aged cherry	+\$0

HY	walnut on cherry	+\$0
LA	light ash	+\$0
LBA	clear on ash	+\$0
LBB	oak on ash	+\$0
LBC	walnut on ash	+\$0
LBD	dark brown walnut	+\$0
LBE	medium red walnut	+\$0
LBF	neutral twill	+\$0
LBG	sarum twill	+\$0
LBH	earthen twill	+\$0
LBJ	graphite twill	+\$0
LBM	crisp linen	+\$0
LBN	classic linen	+\$0
LBP	casual linen	+\$0
LBQ	white twill	+\$0
LBR	phantom ecru	+\$0
LBS	phantom cocoa	+\$0
LBU	medium matte walnut	+\$0
LBV	warm grey teak	+\$0
LT	light tone	+\$0
LU	soft white	+\$0
MT	medium tone	+\$0
OG	honey maple	+\$0
WL	sandstone	+\$0
WN	warm grey neutral	+\$0

Small Tech Cabinet Surface

CH710.



Product Information

Description

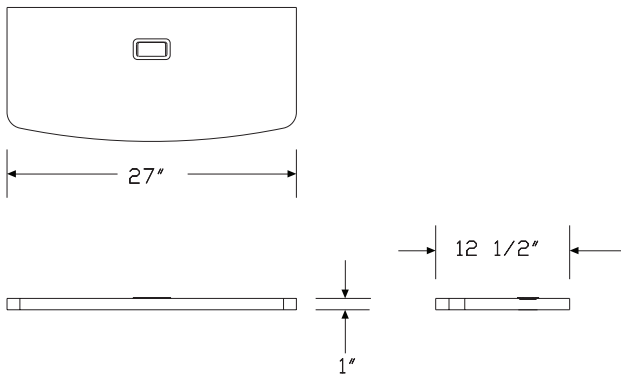
This HPL surface finishes off a technology cabinet and provides a small storage surface. Attachment hardware included.

Notes

Order technology cabinet (CH700.) separately.

To hide the raw wood in the cutout, order Logic mini rectangle grommet (Y1412.1) separately.

Dimensions



Specification Information

Step 1.

CH710. \$182

Step 2. Finish

LBR	phantom ecru	+\$0
LBS	phantom cocoa	+\$0
LBV	warm grey teak	+\$0
76	light brown walnut	+\$0
8Q	folkstone grey	+\$0
91	white	+\$0
98	studio white	+\$0
CL	cool grey neutral	+\$0
HF	inner tone light	+\$0
HM	natural maple	+\$0
HP	light anigre	+\$0
HT	inner tone	+\$0
HX	aged cherry	+\$0
HY	walnut on cherry	+\$0
LA	light ash	+\$0
LBA	clear on ash	+\$0
LBB	oak on ash	+\$0
LBC	walnut on ash	+\$0
LBD	dark brown walnut	+\$0
LBE	medium red walnut	+\$0
LBF	neutral twill	+\$0
LBG	sarum twill	+\$0
LBH	earthen twill	+\$0
LBJ	graphite twill	+\$0
LBM	crisp linen	+\$0
LBN	classic linen	+\$0
LBP	casual linen	+\$0
LBQ	white twill	+\$0
LBU	medium matte walnut	+\$0
LT	light tone	+\$0
LU	soft white	+\$0
MT	medium tone	+\$0
OL	white oak (nonstandard)	+\$0
WL	sandstone	+\$0
WN	warm grey neutral	+\$0
ZZ	open line laminate (nonstandard)	+\$20

Step 3. Edge Finish

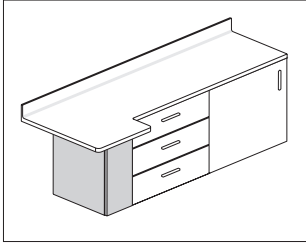
LBR	phantom ecru	+\$0
LBS	phantom cocoa	+\$0
LBV	warm grey teak	+\$0
76	light brown walnut	+\$0

Small Tech Cabinet Surface *continued*

8Q	folkstone grey	+\$0
8Z	neutral grey	+\$0
91	white	+\$0
98	studio white	+\$0
BU	black umber	+\$0
CL	cool grey neutral	+\$0
HF	inner tone light	+\$0
HM	natural maple	+\$0
HP	light anigre	+\$0
HT	inner tone	+\$0
HX	aged cherry	+\$0
HY	walnut on cherry	+\$0
JB	millwork cherry	+\$0
LA	light ash	+\$0
LBA	clear on ash	+\$0
LBB	oak on ash	+\$0
LBC	walnut on ash	+\$0
LBD	dark brown walnut	+\$0
LBE	medium red walnut	+\$0
LBF	neutral twill	+\$0
LBG	sarum twill	+\$0
LBH	earthen twill	+\$0
LBJ	graphite twill	+\$0
LBK	pewter mesh	+\$0
LBL	steel mesh	+\$0
LBM	crisp linen	+\$0
LBN	classic linen	+\$0
LBP	casual linen	+\$0
LBQ	white twill	+\$0
LBU	medium matte walnut	+\$0
LU	soft white	+\$0
MT	medium tone	+\$0
WL	sandstone	+\$0
WN	warm grey neutral	+\$0

In-line Technology Cabinet

CH720.



Product Information

Description

This wall-mounted CPU cabinet accommodates a CPU and attaches next to other wall cabinets, under the work end of surfaces with a work end.

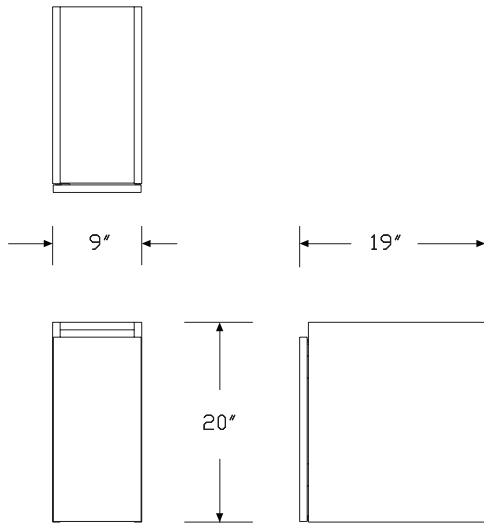
Notes

Order the following products separately:

- Hanging cleat (CH100.)
- Work surface with work end (CH610., CH615., CH616., CH630.)
- Ganging hardware pack (CH110.)

Hinge is on same side as run of cabinets.

Dimensions



Specification Information

Step 1.

CH720.

Step 2. Width

09 9" wide +\$588

Step 3. Depth

19 19" deep +\$0

Step 4. Material

H high-pressure laminate +\$153

L low-pressure laminate +\$0

Step 5. Location in Run

L left finished end +\$0

M middle of run +\$0

R right finished end +\$0

Step 6. Grain Direction

HRG horizontal grain +\$0

VTG vertical grain +\$0

In-line Technology Cabinet *continued*

Step 7. Case Finish

For low-pressure laminate (L)

76	light brown walnut	+\$0
8Q	folkstone grey	+\$0
91	white	+\$0
98	studio white	+\$0
CL	cool grey neutral	+\$0
HM	natural maple	+\$0
HP	light anigre	+\$0
HX	aged cherry	+\$0
HY	walnut on cherry	+\$0
LA	light ash	+\$0
LBA	clear on ash	+\$0
LBB	oak on ash	+\$0
LBC	walnut on ash	+\$0
LBD	dark brown walnut	+\$0
LBE	medium red walnut	+\$0
LBF	neutral twill	+\$0
LBG	sarum twill	+\$0
LBH	earthen twill	+\$0
LBJ	graphite twill	+\$0
LBK	pewter mesh	+\$0
LBL	steel mesh	+\$0
LBM	crisp linen	+\$0
LBN	classic linen	+\$0
LBP	casual linen	+\$0
LBQ	white twill	+\$0
LBR	phantom ecru	+\$0
LBS	phantom cocoa	+\$0
LBU	medium matte walnut	+\$0
LBV	warm grey teak	+\$0
LU	soft white	+\$0
WL	sandstone	+\$0
WN	warm grey neutral	+\$0

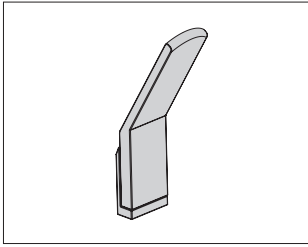
For high-pressure laminate (H)

76	light brown walnut	+\$0
8Q	folkstone grey	+\$0
91	white	+\$0
98	studio white	+\$0
CL	cool grey neutral	+\$0
HF	inner tone light	+\$0
HM	natural maple	+\$0
HP	light anigre	+\$0
HT	inner tone	+\$0
HX	aged cherry	+\$0

HY	walnut on cherry	+\$0
LA	light ash	+\$0
LBA	clear on ash	+\$0
LBB	oak on ash	+\$0
LBC	walnut on ash	+\$0
LBD	dark brown walnut	+\$0
LBE	medium red walnut	+\$0
LBF	neutral twill	+\$0
LBG	sarum twill	+\$0
LBH	earthen twill	+\$0
LBJ	graphite twill	+\$0
LBM	crisp linen	+\$0
LBN	classic linen	+\$0
LBP	casual linen	+\$0
LBQ	white twill	+\$0
LBR	phantom ecru	+\$0
LBS	phantom cocoa	+\$0
LBU	medium matte walnut	+\$0
LBV	warm grey teak	+\$0
LM	mahogany	+\$0
LT	light tone	+\$0
LU	soft white	+\$0
MT	medium tone	+\$0
OL	white oak (nonstandard)	+\$0
WL	sandstone	+\$0
WN	warm grey neutral	+\$0

Coat Hook

CH800.

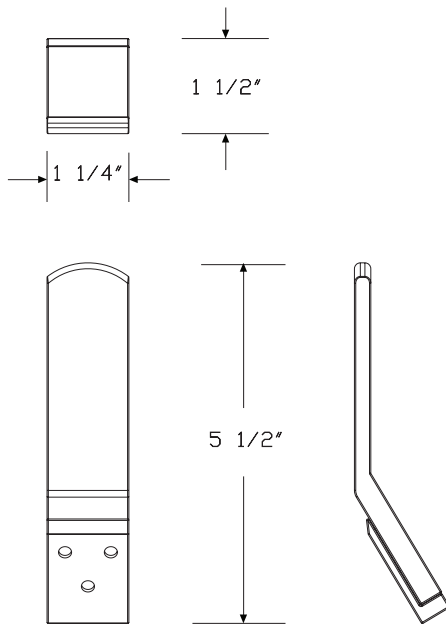


Product Information

Description

This coat hook attaches to the sides of towers or to a wall. Attachment hardware included.

Dimensions



Specification Information

Step 1.

CH800.

\$20

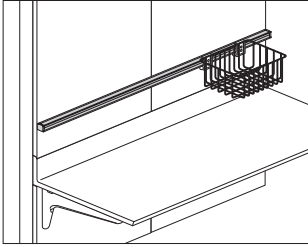
Step 2. Finish

NH brushed nickel

+\$0

Accessory Rail

TW700.



Product Information

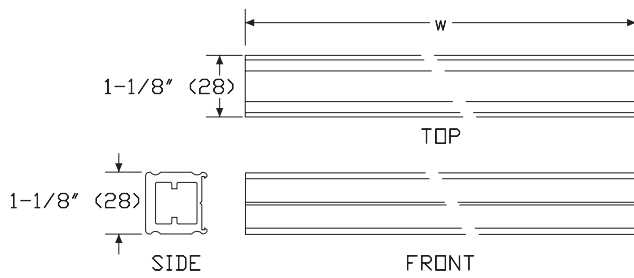
Description

This aluminum rail attaches to the front of a tile to hold rail-mounted components. It has a satin oxide laminate insert and grey end caps. Attachment hardware included.

Notes

Rail can match tile width, or span multiple tiles. For easy removal of tiles, accessory rail width should be equal to or less than the width of the tile it's attached to.

Dimensions



Mora™ Accessories

Specification Information

Step 1.

TW700.

Step 2. Width

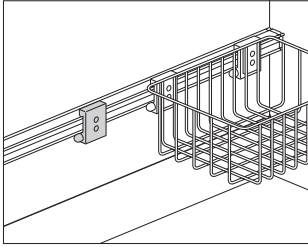
- 18** 18" wide
- 24** 24" wide
- 30** 30" wide
- 36** 36" wide
- 42** 42" wide
- 48** 48" wide

Prices for Steps 1-2.

TW700.18	\$76
24	\$100
30	\$127
36	\$151
42	\$176
48	\$199

Universal Rail Clamp

TW705.



Product Information

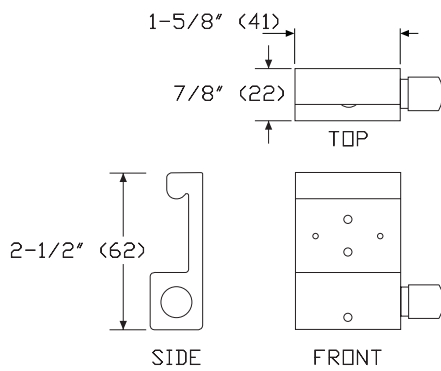
Description

This universal aluminum clamp attaches to an accessory rail and has holes for attaching customer supplied components. It has a push button mechanism that locks the clamp in place and allows for easy attachment and removal.

Notes

Order accessory rail (TW700.) separately.

Dimensions



Specification Information

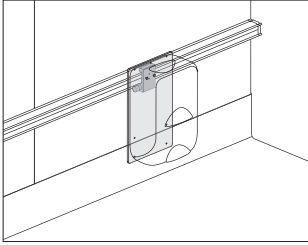
Step 1.

TW705.

\$129

Soap and Sanitizer Mounting Bracket

TW706.



Product Information

Description
 This aluminum mounting bracket is designed for use with customer supplied components such as soap and sanitizer dispensers or sharps containers. It includes 1 universal rail clamp (TW705.) for attachment. The clamp has a push-button locking mechanism for easy attachment and removal.

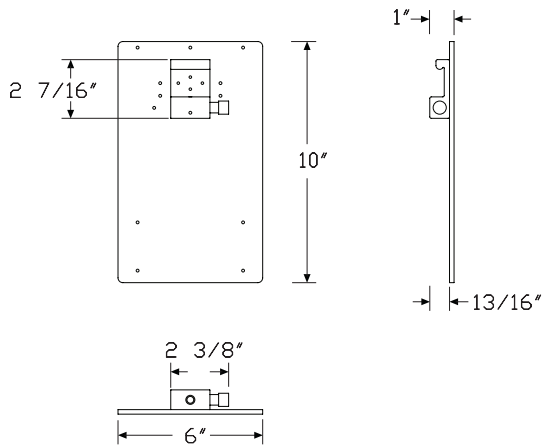
Notes
 Order accessory rail (TW700.) separately. Screws must be customer supplied.

Dimensions

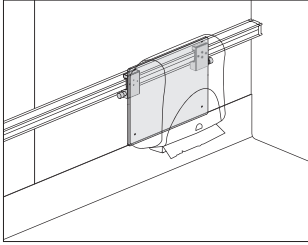
Specification Information

Step 1.
TW706. \$420

Mora™ Accessories



Paper Towel Dispenser Mounting Bracket TW707.



Product Information

Description

This aluminum mounting bracket is designed for use with customer supplied paper towel dispensers. It includes 2 universal rail clamps (TW705.) for attachment. The clamps have a push-button locking mechanism for easy attachment and removal.

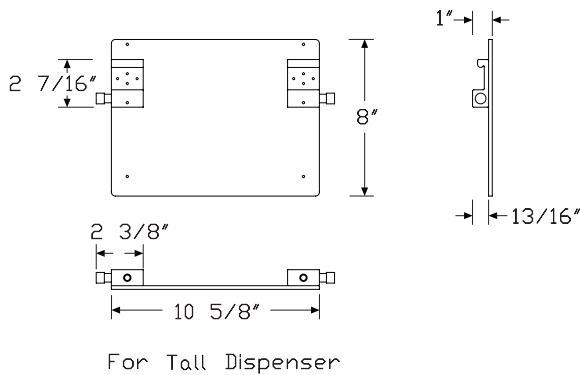
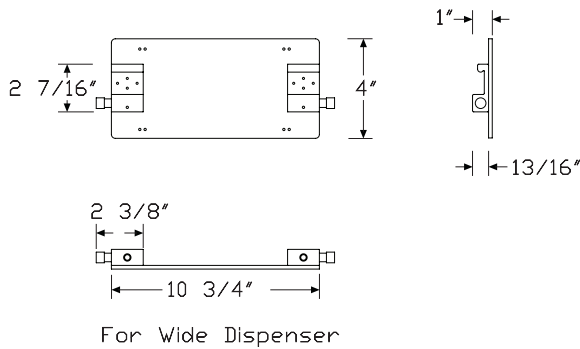
Notes

Order accessory rail (TW700.) separately. Screws and dispensers must be customer supplied.

Wide paper towel dispenser dimensions are approximately 10" wide x 5" deep x 8" high. Tall dispenser dimensions are approximately 13" wide x 9" deep x 13" high.

See Compass™ planning guide for additional specification information.

Dimensions



Specification Information

Step 1.

TW707.

Step 2. Size

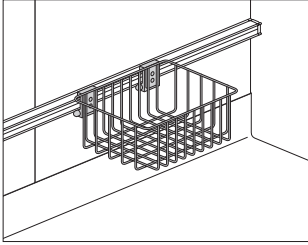
- A** used with wide paper towel dispensers
- B** used with tall paper towel dispensers

Prices for Steps 1-2.

TW707.A	\$473
B	\$473

Utility Basket

TW720.



Product Information

Description

This powder-coated wire basket attaches to an accessory rail to hold small items. It includes 2 rail clamps for attachment. The clamps have a push button mechanism that locks the clamp in place and allows for easy attachment and removal. Finish is off-white.

Notes

Order accessory rail (TW700.) separately.

Dimensions

Specification Information

Step 1.

TW720.

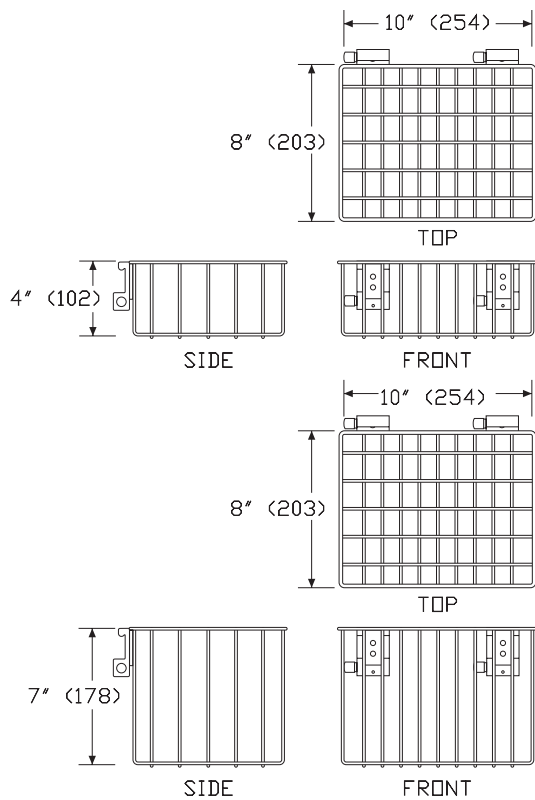
Step 2. Size

- 01** 4" high x 8" deep x 10" wide
- 02** 7" high x 8" deep x 10" wide

Prices for Steps 1-2.

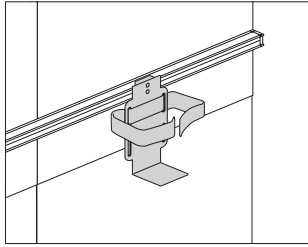
TW720.01	\$434
02	\$450

Mora™ Accessories



Sharps Container Holder

TW722.



Product Information

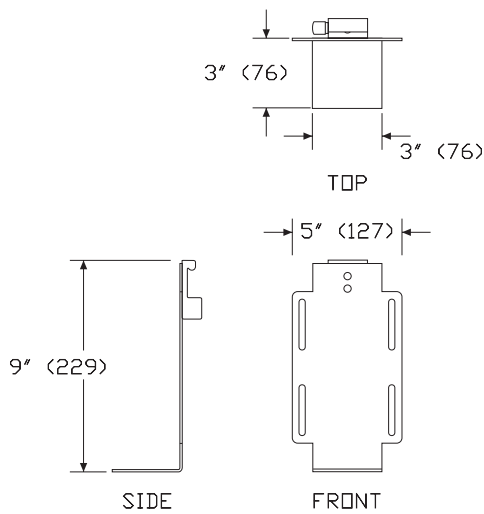
Description

This painted holder attaches to an accessory rail and has a strap for holding a variety of customer-supplied sharps containers. It includes a rail clamp for attachment. The clamp has a push button mechanism that locks the clamp in place and allows for easy attachment and removal. Finish is off-white.

Notes

Order accessory rail (TW700.) separately.

Dimensions



Specification Information

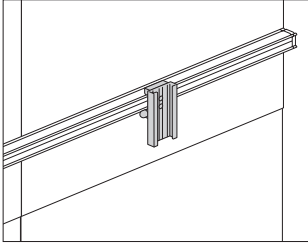
Step 1.

TW722.

\$319

Vacuum Bottle Slide

TW723.

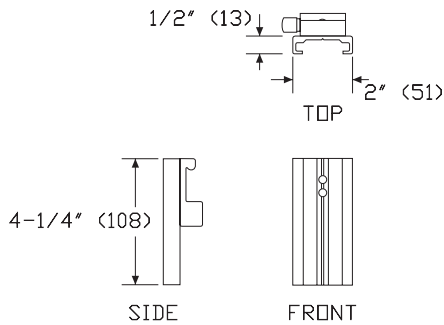


Product Information

Description
This aluminum slide attaches to an accessory rail and accepts a customer-supplied vacuum bottle with mounting ring. It includes a rail clamp for attachment. The clamp has a push button mechanism that locks the clamp in place and allows for easy attachment and removal.

Notes
Order accessory rail (TW700.) separately.

Dimensions

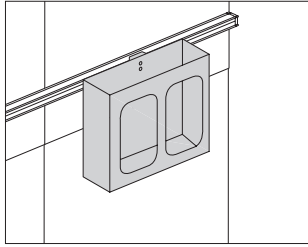


Specification Information

Step 1.
TW723. \$156

Glove Box Holder

TW724.



Product Information

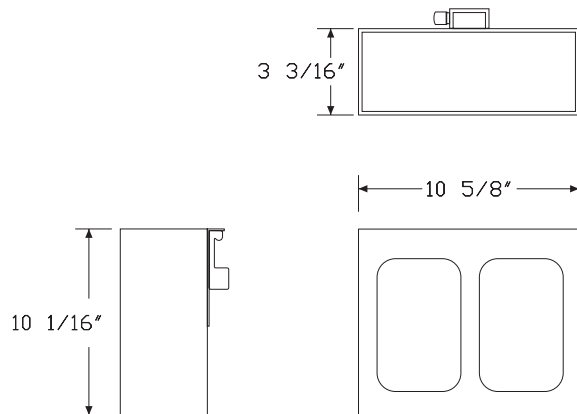
Description

This holder attaches to an accessory rail and holds 2 10" x 5" x 3" boxes of gloves. It includes a rail clamp for attachment. The clamp has a push button mechanism that locks the clamp in place and allows for easy attachment and removal. Finish is off-white

Notes

Order accessory rail (TW700.) separately.

Dimensions



Specification Information

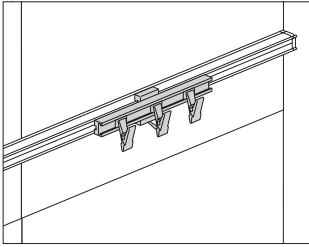
Step 1.

TW724.

\$537

3 Clip Organizer

TW725.



Product Information

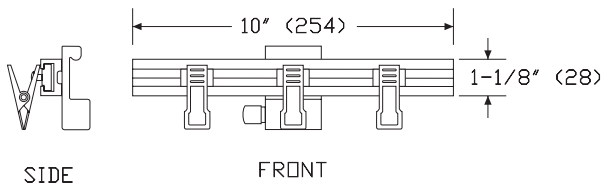
Description

This aluminum organizer attaches to an accessory rail and has 3 stainless steel clips for holding IV bags, catheters, and other items. It includes a rail clamp for attachment.

Notes

Order accessory rail (TW700.) separately.

Dimensions



Specification Information

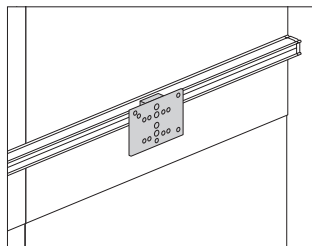
Step 1.

TW725.

\$339

Instrument Mounting Bracket

TW726.



Product Information

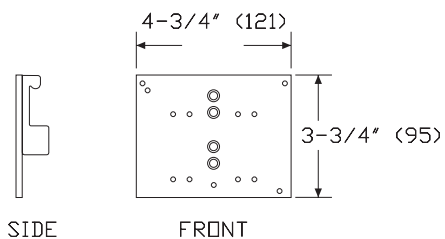
Description

This aluminum bracket attaches to an accessory rail to hold a customer-supplied sphygmomanometer, ophthalmoscope with holder, or thermometer with holder. It is designed for products that adhere to the Fairfield standards. The bracket includes a rail clamp for attachment. The clamp has a push button mechanism that locks the clamp in place and allows for easy attachment and removal.

Notes

Order accessory rail (TW700.) separately.

Dimensions



Specification Information

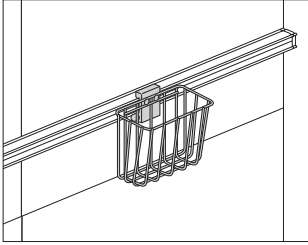
Step 1.

TW726.

\$333

Sphygmomanometer Basket

TW727.



Product Information

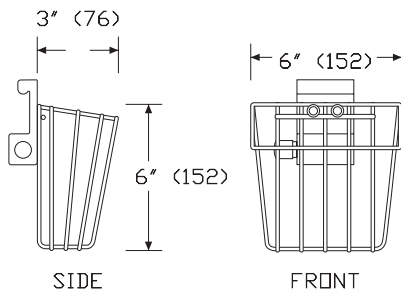
Description

This stainless steel wire basket attaches to an accessory rail to hold a customer-supplied blood pressure arm cuff or other small items. It includes a rail clamp for attachment. The clamp has a push button mechanism that locks the clamp in place and allows for easy attachment and removal.

Notes

Order accessory rail (TW700.) separately.

Dimensions



Specification Information

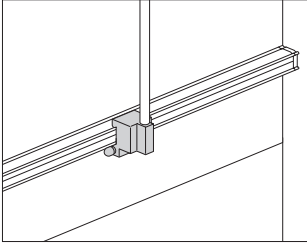
Step 1.

TW727.

\$280

Mounting Clamp

TW740.



Product Information

Description

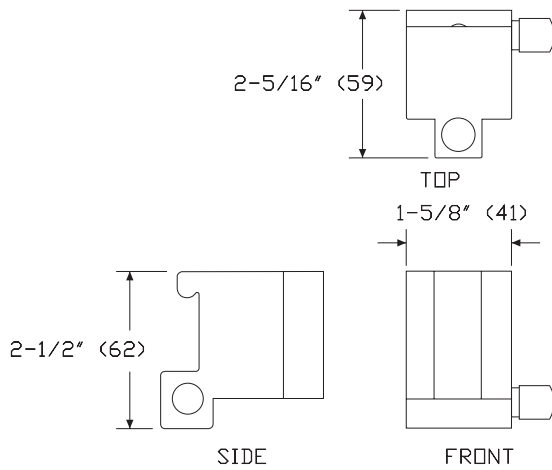
This aluminum clamp attaches to an accessory rail to hold components with a post-mount attachment method. It has a push button mechanism that locks the clamp in place and allows for easy attachment and removal.

Notes

Order the following products separately:

- Accessory rail (TW700.)
- Chart holder (TW746.)
- IV pole (TW743.)
- Utility Hook (TW747.)

Dimensions



Specification Information

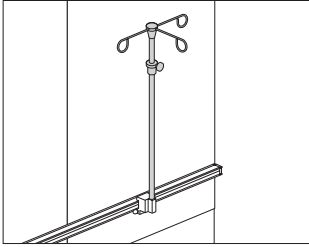
Step 1.

TW740.

\$165

IV Pole

TW743.



Product Information

Description
 This adjustable stainless steel pole holds up to 3 IV bags and has a post for attaching to a mounting clamp.

Notes
 Order accessory rail (TW700.) and mounting clamp (TW740.) separately.

Dimensions

Specification Information

Step 1.
TW743.24 \$547

Mora™ Accessories

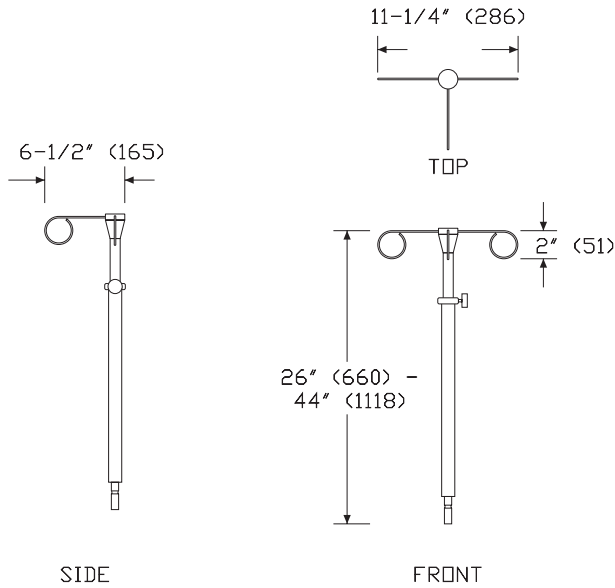
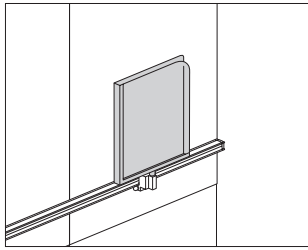


Chart Holder

TW746.



Product Information

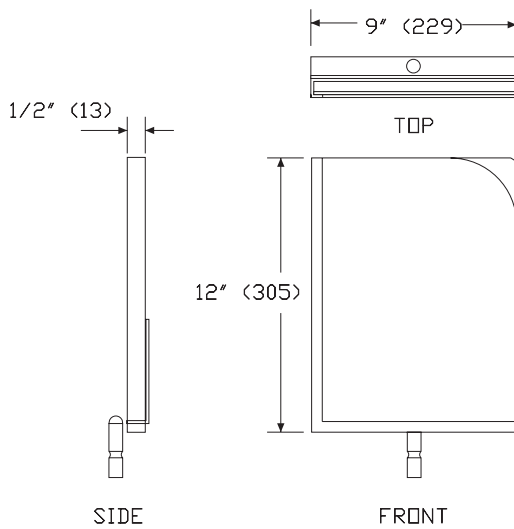
Description

This powder-coated holder has a clear acrylic front and holds a chart or other paper items. It has a post for attaching to a mounting clamp. Finish is off-white.

Notes

Order accessory rail (TW700.) and mounting clamp (TW740.) separately.

Dimensions



Specification Information

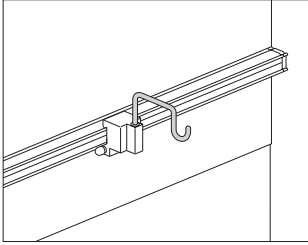
Step 1.

TW746.

\$384

Utility Hook

TW747.



Product Information

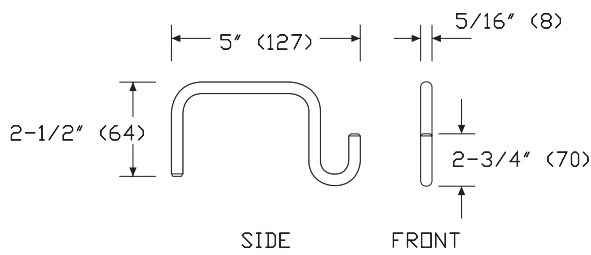
Description

This stainless steel hook holds tubing, charts, catheters, or other equipment. It has a post for attaching to a mounting clamp.

Notes

Order accessory rail (TW700.) and mounting clamp (TW740.) separately.

Dimensions



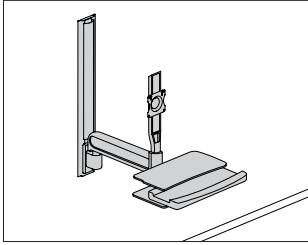
Specification Information

Step 1.

TW747.

\$100

Mbrace Wall-Mounted Technology Y94015



Product Information

Description

This wall-mounted technology combo arm allows the keyboard and monitor to effortlessly move together as a single unit, and mounts to either a 34" wall track. This solution can support up to 20 pounds and be adjusted with one hand through 22" of vertical adjustment and 9 1/2" of independent, knob-free monitor adjustment. The monitor float tower and keyboard tray can rotate independently of each other. This solution can also store in as little as 10" of space and can be installed on Compass™ wall tiles and directly to drywall. Rotation limiter and cable management included.

Notes

All painted surfaces are finished with anti-microbial powder coat paint to support infectious control policies.

OSHDP and Engineer certified.

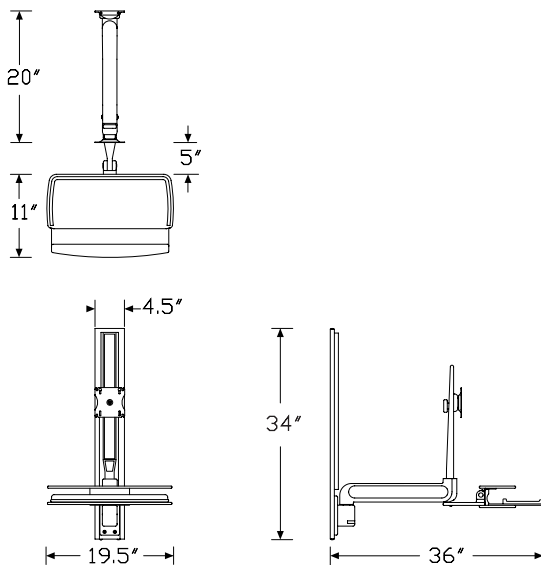
Supports 75mm and 100mm VESA patterns.

Fasteners provided for virtually all applications except masonry surfaces.

Additional accessories sold separately:

- Track Mount Small Cradle CPU Support (Y94100.)
- Track Mount CPU Enclosure (Y94102.)

Dimensions



Specification Information

Step 1.

Y94015. A

Step 2. Track Length

34 34" long A

Prices for Steps 1-2.

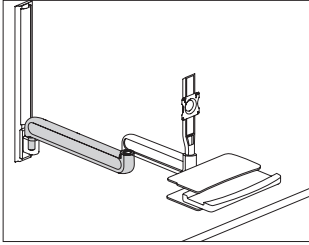
Y94015. 34 \$2043

Step 3. Arm Finish

0J white A +\$0

Mbrace Extension Arm

Y94105



Product Information

Description

This extension arm adds 20" of horizontal movement. It can be retrofitted in the field.

Notes

All painted surfaces are finished with anti-microbial powder coat paint to support infectious control policies.

Engineer certified.

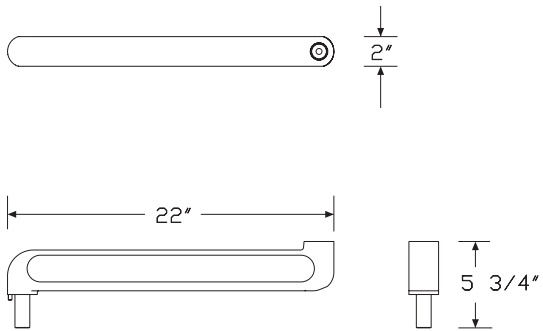
Supports 75mm and 100mm VESA patterns.

Extension arm can be used with the following products:

- Mbrace wall-mounted technology (Y94015.)

Dimensions

Mora™ Accessories



Specification Information

Step 1.

Y94105. A

\$392

Index by Product Name

Mora™ System	
	page(s)
1" Shelf for Shelf Towers	66
3 Clip Organizer	126
Accessory Rail	118
ADA Sink Enclosure	25
Awning Overhead Storage	32
Backdrop Panel	102
Cantilever	100
Chart Holder	131
Coat Hook	117
Corian Corner Worksurface	73
Corian Peninsula	107
Corian Seated-Height Work Surface	92
Corian Work Surface	71
Corian Work Surface with ADA Sink	79
Corian Work Surface with Oval Sink	75
Corian Work Surface with Rectangular Sink	77
Corian Work Surface with Work End	81
Corian Work Surface with Work End and Oval Sink	82
Corian Work Surface with Work End and Rectangular Sink	83
Corner Filler	69
End Panel	98
Floating Shelf	104
Ganging Hardware Pack	7
Glove Box Holder	125
Hanging Cleat	5
Hanging Cleat Hardware Pack	6
HPL Backsplash	96
HPL Corner Worksurface	88
HPL Peninsula	108
HPL Seated-Height Work Surface	93
HPL Work Surface	86
HPL Work Surface with Work End	90
In-line Technology Cabinet	115
Instrument Mounting Bracket	127
Interior Co/Struc Adapter	27
IV Pole	130
Mbrace Extension Arm	134
Mbrace Wall-Mounted Technology	133
Mounting Clamp	129
Open Shelving Overheads	34
Overhead Storage	28
Paper Towel Dispenser Mounting Bracket	121
Peninsula Column Support	106
Peninsula Leg	110
Plinth Base - Finished	22
Plinth Base - Unfinished	24

Sharps Container Holder	123
Sidesplash	85
Sloped Top Awning Overhead Storage	45
Sloped Top Open Shelving Overheads	47
Sloped Top Overhead Storage	41
Sloped Top Panel	39
Sloped Top To-the-Floor Door Towers	60
Sloped Top Wall-Mounted Door Towers	57
Small Tech Cabinet Surface	113
Soap and Sanitizer Mounting Bracket	120
Soffit	37
Sphygmomanometer Basket	128
Straight Filler	67
Surface Wall Attachment Support	95
To-The-Floor Door Cases	18
To-The-Floor Door Towers	54
To-The-Floor Drawer Cases	15
Tower Sloped Top Panel	49
Universal Rail Clamp	119
Utility Basket	122
Utility Hook	132
Vacuum Bottle Slide	124
Wall Mounted Door Case	11
Wall-Mounted Door Towers	51
Wall Mounted Drawer Cases	8
Wall-Mounted Shelf Towers	63
Wall-Mounted Technology Cabinet	111

Index: Product Name

Index by Product Number

CH100. Hanging Cleat	page(s) 5	CH675. Floating Shelf	104
CH105. Hanging Cleat Hardware Pack	6	CH680. Corian Peninsula	107
CH110. Ganging Hardware Pack	7	CH685. HPL Peninsula	108
CH200. Wall Mounted Drawer Cases	8	CH690. Peninsula Leg	110
CH210. Wall Mounted Door Case	11	CH700. Wall-Mounted Technology Cabinet	111
CH220. To-The-Floor Drawer Cases	15	CH710. Small Tech Cabinet Surface	113
CH230. To-The-Floor Door Cases	18	CH720. In-line Technology Cabinet	115
CH240. ADA Sink Enclosure	25	CH800. Coat Hook	117
CH250. Plinth Base - Finished	22	E2394. Peninsula Column Support	106
CH255. Plinth Base - Unfinished	24	TW700. Accessory Rail	118
CH260. Interior Co/Struc Adapter	27	TW705. Universal Rail Clamp	119
CH300. Overhead Storage	28	TW706. Soap and Sanitizer Mounting Bracket	120
CH301. Awning Overhead Storage	32	TW707. Paper Towel Dispenser Mounting Bracket	121
CH302. Open Shelving Overheads	34	TW720. Utility Basket	122
CH310. Sloped Top Overhead Storage	41	TW722. Sharps Container Holder	123
CH311. Sloped Top Awning Overhead Storage	45	TW723. Vacuum Bottle Slide	124
CH312. Sloped Top Open Shelving Overheads	47	TW724. Glove Box Holder	125
CH315. Sloped Top Panel	39	TW725. 3 Clip Organizer	126
CH316. Tower Sloped Top Panel	49	TW726. Instrument Mounting Bracket	127
CH320. Soffit	37	TW727. Sphygmomanometer Basket	128
CH400. Wall-Mounted Door Towers	51	TW740. Mounting Clamp	129
CH405. To-The-Floor Door Towers	54	TW743. IV Pole	130
CH410. Sloped Top Wall-Mounted Door Towers	57	TW746. Chart Holder	131
CH415. Sloped Top To-the-Floor Door Towers	60	TW747. Utility Hook	132
CH420. Wall-Mounted Shelf Towers	63	Y94015 Mbrace Wall-Mounted Technology	133
CH421. 1" Shelf for Shelf Towers	66	Y94105 Mbrace Extension Arm	134
CH430. Straight Filler	67		
CH435. Corner Filler	69		
CH600. Corian Work Surface	71		
CH602. Corian Corner Worksurface	73		
CH605. Corian Work Surface with Oval Sink	75		
CH606. Corian Work Surface with Rectangular Sink	77		
CH607. Corian Work Surface with ADA Sink	79		
CH610. Corian Work Surface with Work End	81		
CH615. Corian Work Surface with Work End and Oval Sink	82		
CH616. Corian Work Surface with Work End and Rectangular Sink	83		
CH618. Sidesplash	85		
CH620. HPL Work Surface	86		
CH622. HPL Corner Worksurface	88		
CH630. HPL Work Surface with Work End	90		
CH640. Corian Seated-Height Work Surface	92		
CH645. HPL Seated-Height Work Surface	93		
CH646. Surface Wall Attachment Support	95		
CH650. HPL Backsplash	96		
CH655. End Panel	98		
CH660. Cantilever	100		
CH670. Backdrop Panel	102		



20-Day or Less/Assigned Lead-Time Order Information – Healthcare

20-Day or Less/Assigned Lead-Time Programs

20-day or less and assigned lead-time products are designed for established Herman Miller dealers with pre-approved credit.

Products are distributed from multiple manufacturing facilities across the United States. All products and options not designated by an Assigned Lead-Time icon **A** will ship in 20 business days or less after being acknowledged by Herman Miller. Products and options designated by an **A** are on the assigned lead-time program and will ship in 20 days, less than 20 days, or more than 20 days from order acknowledgement.

Ordering Procedure

Please place orders through Order Manager. If this is not available to you, place orders through mail or fax. Verbal purchase orders will not be accepted.

Order Entry fax number: (616) 654 3085.

For more information, contact your Customer Care representative at:
(866) 854 3048 EXT 3400

Shipments and Delivery

Per Herman Miller Terms and Conditions.

Changes and Cancellation

Per Herman Miller Terms and Conditions.



Packaging/Keyed-Alike Information – Mora™ System

Packaging

Packaging varies according to individual product. A surcharge may be added for special packaging requests. Contact Customer Care for specific information.

Keyed-Alike Locks

All components with locks may be specified keyed alike.

Keyed-alike Mora™ System components will be shipped with lock chassis installed. Lock plugs will be shipped separately, tagged for product and location as specified. Installation of lock plugs will be on-site according to instructions provided. Herman Miller Inc., will not be responsible for lock plug installation.

To order keyed-alike locks for Mora™ System components, specify keyed alike. Then place a separate order for plugs and locks:

1. List plug part number and key number (232092-XXX); select a key number (or numbers) between 226 and 427, excluding numbers 408 and 412.
2. List quantity of locks per key number.
3. Indicate this is a no charge order.

Keyed-alike locks are field installed.

A master key can be used to open any lock on a Mora™ System component. To remove lock plugs from existing components, a removal key (#232228) or lock change tool (#234559) is required. Customers interested in ordering master keys, removal keys, or lock change tools should contact Customer Care with a written request.

For more information about our products and services or to see a list of dealers, please visit us at HermanMiller.com or call (800) 851 1196.

© 2019 Herman Miller, Inc., Zeeland, Michigan

Distribution Rights

Working together since 1956, Herman Miller and Vitra are the authentic sources of designs by Charles and Ray Eames, Alexander Girard, and George Nelson. All the designs shown in this book are protected by law. Herman Miller has obtained all rights to make and sell these designs. Also, Herman Miller holds exclusive worldwide manufacturing and distribution rights for these products with the following exceptions:

Charles and Ray Eames, George Nelson, and Alexander Girard—Worldwide distribution rights for furniture in all areas except Europe and the Middle East. For those areas, please contact Vitra.

Isamu Noguchi—Worldwide distribution rights for the Noguchi Rudder Table. Distribution rights for the Noguchi Table in North America and Central America only. For all other areas, please contact Vitra.

Magis—Exclusive distribution rights in the US and Canada. For all other areas, please contact Magis.

Mattiazzi—Exclusive distribution rights in the US and Canada. For all other areas, please contact Mattiazzi.

® **HermanMiller**, ●, 3D Intelligent, AO, Action Office, Aeron, ArcSpan, Aside, Avall, Avive, Bubble Lamps, Canvas Office Landscape, Caper, Celle, Co/Struc, Daisiyone, Distil, Eames, Eco-Dematerialized, Embody, Envelop, Equa 2, Ergon 3, Ethospace, Exclave, Fine-Tune, FlexFront, Flo, Formcoat, Formwork, Ground Cloth, Herman Miller for the Home, Herman Miller for Healthcare, Intersect, Kinemat, Lapjack, Layout Studio, Lifework, Limerick, Live Unframed, Living Office, Locale, Maharam, Meridian, Mirra, Motia, Passage, Pellicle, Perspectives, Plex, PostureFit, Public Office Landscape, Resolve, Rodney, Sayl, Setu, Thrive, Tu, Wishbone, and Y-Tower are among the registered trademarks of Herman Miller, Inc., and its owned subsidiaries.

™ 8Z Pellicle, About Face, AireWeave, Albert, Backfit, Bubbletack, Burdick Group, Butterfly Back, Celeste, Cellular Suspension, Clam, Compass, Connect, Cosm, Cubert, DOT, Duracare, Durawrap, Eames Soft Pad, EnhancedAccess, Everywhere, Flex-Edge, Flute, Harmonic, Herman Miller Select, Hopsak 2, Intent, Iota, Jaw, Keyless Entry, Keyn Chair Group by Herman Miller, Latitude, Lino, Locale, Logic Mini, Logic Power Access Solutions, Live Platform, Loop, Lyris, Lyris 2, Made-to-Measure Storage, Metaform Portfolio, Mora, Multiscrim, Nelson, Nevi, Overlay, Pari, Pixelated Support, PostureFit SL, Prospect, Q, Renew, Sense, Soft Pad, Stackable, Stackable Storage, Striad, Swoop, Tone, TriFlex, Twist, Ubi, Verus, Vista and Wireframe are among the trademarks of Herman Miller, Inc., and its owned subsidiaries.

SM Herman Miller Options is among the service marks of Herman Miller, Inc.

AAP™ is a trademark of Extron Electronics.

Alexander Girard® is a registered trademark of The Alexander Girard Estate.

Chemsur® is a registered trademark of Wilsonart International.

Corian® is a registered trademark of E. I. du Pont de Nemours and Company Corporation.

Crypton® is a registered trademark of Crypton, Inc.

DACRON® is a registered trademark of INVISTA S.a r.l.

Decora® is a registered trademark of Leviton Manufacturing Co., Inc.

Edelman® Leather is a registered trademark of Edelman Leather, Inc.

Extron® is a registered trademark of RGB Systems, Inc.

FENIX NTM® is a registered trademark of Arpa Industriale S.p.A.

FLEXNET™ is a trademark of Milliken & Company.

Floor Saver Glide® is a registered trademark of Carpin Manufacturing, Inc.

Geiger® is a registered trademark, and Bumper™, Saiba™, and Ward Bennett™ are trademarks, of Geiger International.

Goetz™ is a trademark of Mark W. Goetz.

Hang-It-All® is a registered trademark of Lucia Eames Demetrios, d.b.a. Eames Office.

Holophane® is a registered trademark of Holophane.

Ingeo™ is a trademark of Cargill Dow LLC.

iPad® is a registered trademark of Apple, Inc.

Leviton® is a registered trademark of Leviton Manufacturing Co., Inc.

LifeSize® is a registered trademark of LifeSize Communications, Inc.

Magis®, Bombo®, and Me Too® are registered trademarks of Magis S.p.A.

Microsoft® and Natural® Keyboard are registered trademarks of Microsoft Corporation.

Noguchi® and the Noguchi table configuration (trade dress) are registered trademarks, and Rudder Table™ is a trademark, of The Isamu Noguchi Foundation and Garden Museum.

Place Textiles® is a registered trademark of Place Textiles.

SuperSeat™ is a trademark of Dahti Seating, a division of ITW.