



GSA prices effective April 1, 2019
(based on January 7, 2019, commercial price list)
Published January 2020

Motia® Sit-to-Stand Tables

General Services Administration Federal Supply Service Authorized Federal Supply Schedule Price List

Online access to contract ordering information, terms and conditions, up-to-date pricing, and the option to create an electronic delivery order is available through GSA Advantage!, a menu-driven database system. The Internet address for GSA Advantage! is www.gsaadvantage.gov.

Office Furniture
FSC Group 71, Part 1
Contract Number: GS-03F-036DA
Contract Period: December 21, 2015—December 20, 2020

Herman Miller, Inc.
855 East Main Avenue
Zeeland, Michigan 49464
(616) 654 3000 Phone
(616) 654 8278 Fax
www.HermanMiller.com/government

Business Size: Large

Contract Information

1a. Special Item Numbers (SIN)

SIN 71-1

Packaged Offices

SIN 711-1

Furniture Systems

SIN 711-2

Computer Furniture

SIN 711-3

Filing and Storage Cabinets

SIN 711-11

Tables and Accessories

SIN 711-16

Upholstered Seating

SIN 711-18

Multi-Purpose Seating

SIN 711-91

Project Management

Services under this SIN may be used only in conjunction with the purchase of new furniture. Please contact your local Herman Miller representative to discuss the available labor categories (listed below). The hourly rates listed are "Not To Exceed" or "NTE" values.

Furniture Project Manager: \$64.75 per hour

Furniture Project Coordinator: \$49.00 per hour

Build-Out Project Manager: \$80.00 per hour

SIN 711-93

Reconfiguration and Relocation Services

Reconfiguration and Relocation Services will be provided by Herman Miller, Inc., or its participating dealer based on a fee not to exceed \$55 per hour, which applies to services totaling \$150,000 (per SIN) and below only. Services above \$150,000 shall be negotiated on a case-by-case basis. This SIN may only be used with the purchase of new product under SIN 711-1.

See * Additional Notes for Installation & Reconfiguration and Relocation Services.

SIN 711-94

Design/Layout

Design service will be provided by Herman Miller, Inc., or its participating dealer based on a fee not to exceed \$65 per hour.

SIN 711-95

Installation Services

Installation Services will be provided by Herman Miller, Inc., or its participating dealer based on a fee not to exceed \$55 per hour (\$82.50 per hour for after-hours Installation), which applies to services totaling \$150,000 (per SIN) and below only. Services above \$150,000 shall be negotiated on a case-by-case basis.

See * Additional Notes for Installation & Reconfiguration and Relocation Services.

* Additional Notes for Installation & Reconfiguration and Relocation Services:

FOB Destination (Drop Ship): Price includes product delivery to the site, brought to the tailgate of the truck. The purchaser is responsible for unloading.

Prices effective up to the maximum order by SIN only. Above the MO, pricing shall be negotiated on a case-by-case basis between the client and local dealer.

Standard Services are Subject to the Following Conditions:

Installation will be performed during normal weekday working hours.

Adequate facilities for delivery, unloading, moving and staging/ storing the product during the installation process shall be provided.

Service work will not be hindered by other trades.

Electric, heat, and adequate elevator service will be furnished without charge.

The immediate installation area shall be complete and free of debris including the carpet/flooring before installation commences.

Any work requiring a licensed electrician is the responsibility of the buyer.

Additional Charges May Apply For:

Major Metro Markets and any non-ground floor installation.

Major Metro Markets include large population centers and urban environments.

Installation in a clinical/medical environment.

Special restrictions or limits established by local laws, ordinances or the directions of the buyer, including but not limited to restrictions on transportations of materials, street access to the job site and/or dock facilities.

Installations outside of a 50 mile radius of the servicing dealer.

Local Prevailing Wage and/or Union Labor Rates.

Any additional charges shall be quoted by the dealer and approved by the buyer prior to performance of the work.

SIN 711-96

Leasing

Contact Herman Miller participating government dealer for current leasing information.

SIN 711-99

New Product Introductions

Contract Information

continued

SIN 711-500

Order-Level Materials (OLMs)

This SIN is only for products and/or services used in direct support of the purchase of new furniture. It requires approval from the ordering Contract Officer. Please contact your local Herman Miller representative to discuss the appropriate use of this SIN.

1b. Lowest Priced Model

SIN 711-1:	G9999.B	\$9
SIN 711-2:	6-5-D	\$40
SIN 711-3:	L29P.15	\$11
SIN 711-11:	DT9A.	\$39
SIN 711-16:	OA401	\$43
SIN 711-18:	AS90598	\$51
SIN 711-99:	BVP3.S	\$12

1c. Not applicable

2. Maximum Order

SIN 711-1, SIN 711-2
\$500,000 net product value

SIN 711-3, SIN 711-11
\$300,000 net product value

SIN 711-16, SIN 711-18
\$200,000 net product value

SIN 711-93
\$150,000

SIN 711-94
\$150,000

SIN 711-95
\$150,000

SIN 711-96
\$500,000 net product value

SIN 711-99
\$50,000 net product value

SIN 711-500
\$100,000

3. Minimum Order

\$100 net

4. Geographic Coverage

Continental U.S.

Orders for Alaska, Hawaii, and Puerto Rico will be shipped F.O.B. inland carrier point of exportation.

5. Point of Production

Zeeland, Ottawa County, Michigan
Spring Lake, Ottawa County, Michigan

6. Pricing

Prices shown are list. Discounts include Industrial Funding Fee.

SIN 711-1

Product: Selected Action Office 1, Action Office 2, C-Style Overhead Storage, Ethospace System, Quadrant Pedestals, Supplemental Products, Tu Pedestals, and approved Herman Miller Options Products.

Standard Lead Time	Single Order Net Purchase	Discount From list
	\$100 - 250,000	73.8%
	\$250,001 - 500,000	76.8%

SIN 711-1

Product: Selected Nevi™ Tables, Nevi Link, Renew™ Tables, Renew Link and approved Herman Miller Options Products

Standard Lead Time	Single Order Net Purchase	Discount From List
	\$100 - 500,000	73.8%

SIN 711-1

Product: Selected Motia® Tables, and approved Herman Miller Options Products

Standard Lead Time	Single Order Net Purchase	Discount From List
	\$100 - 500,000	73.8%

SIN 711-1

Product: Tu Wood Pedestals and approved Herman Miller Options Products

Standard Lead Time	Single Order Net Purchase	Discount From List
	\$100 - 300,000	74.3%

SIN 711-1

Product: Selected Canvas Office Landscape (Beam, Channel, Dock, Group, Metal Storage, Private Office, Vista, Wall, and Wood Storage) and approved Herman Miller Options Products

Standard Lead Time	Single Order Net Purchase	Discount From List
	\$100 - 500,000	74.8%

Contract Information

continued

SIN 711-1

Product: Selected Layout Studio® and approved Herman Miller Options Products

Standard Lead Time	Single Order Net Purchase	Discount From List
	\$100 - 500,000	60.7%

SIN 711-1

Product: Selected Meridian Pedestals and approved Herman Miller Options Products

Standard Lead Time	Single Order Net Purchase	Discount From List
	\$100 - 500,000	64.2%

SIN 711-1

Product: Selected Thrive Portfolio and approved Herman Miller Options Products

Standard Lead Time	Single Order Net Purchase	Discount From List
	\$100 - 250,000	62%
	\$250,001 - 500,000	66.4%

SIN 711-2

Product: Canvas Metal Desk and approved Herman Miller Options Products

Standard Lead Time	Single Order Net Purchase	Discount From List
	\$100 - 500,000	74.8%

SIN 711-3

Product: Meridian Laterals, Towers, and Storage products and approved Herman Miller Options Products

Standard Lead Time	Single Order Net Purchase	Discount From List	Towers & Storage
	\$100 - 300,000	67.3%	62.7%
		66.3%	62.7%

SIN 711-3

Product: Tu Lateral Files, Tu Storage, Tu Towers, Tu Wood Cases, Tu Wood Cubbies, Tu Wood Credenzas, Tu Wood Towers, and approved Herman Miller Options Products

Standard Lead Time	Single Order Net Purchase	Discount From List
	\$100 - 300,000	74.3%

SIN 711-11

Product: Selected Tables and Accessories and approved Herman Miller Options Products

Standard Lead Time	Single Order Net Purchase	Discount From List
Avive® Tables	\$100 - 250,000	72.8%
	\$250,001 - 500,000	74.8%
Eames® Conference & Dining Tables	\$100 - 250,000	73.6%
	\$250,001 - 300,000	77.6%
Everywhere™ Tables	\$100 - 300,000	73.8%
Headway™ Tables	\$100 - 300,000	73.8%

SIN 711-16

Product: Swoop upholstered seating products and approved Herman Miller Options Products

Standard Lead Time	Single Order Net Purchase	Discount From List
Plex® Lounge Furniture	\$100 - 200,000	59.5%
Swoop™	\$100 - 200,000	60.7%
Valor™ Family	\$100 - 200,000	54.91%

SIN 711-18

Product: Selected Seating and approved Herman Miller Options Products

Standard Lead Time	Single Order Net Purchase	Discount From List
Aeron®	\$100 - 200,000	64.5%
Aside®	\$100 - 200,000	64.2%
Caper®	\$100 - 200,000	61.5%
Celle®	\$100 - 200,000	59.7%
Cosm™	\$100 - 200,000	61.7%
Embody®	\$100 - 200,000	59.7%
Keyn	\$100 - 200,000	57.7%
Lino™	\$100 - 200,000	63.7%
Mirra® 2	\$100 - 200,000	61.7%
Sayl®	\$100 - 200,000	62.2%
Setu®	\$100 - 200,000	59.7%
Verus™	\$100 - 200,000	63.7%

SIN 711-99

Product: Selected Exclave®, Locale®, Public Office Landscape®, Resolve® System, and approved Herman Miller Options Products

Standard Lead Time	Single Order Net Purchase	Discount From List
Exclave	\$100 - 50,000	61.7%
Intent Solution	\$100 - 50,000	58.7%
Locale	\$100 - 50,000	63.7%
Public Office Landscape	\$100 - 50,000	61.7%
Resolve System	\$100 - 50,000	69.8%

Contract Information

continued

7. Quantity Discounts

Reference item #6.

8. Payment Term

Net 30 days

9. Government Commercial Credit Card

- a. Government commercial credit cards are accepted below the micropurchase threshold.
- b. Government commercial credit cards are accepted above the micropurchase threshold.

10. Foreign Items

None

11. Time of Delivery

- a. 90 day ARO
- b. Expedited delivery: Items listed in the 10-Day section of the catalogs are available for expedited delivery.
- c. Overnight/2-day delivery: Select items may be available for overnight or 2-day delivery. Contact Herman Miller or a participating dealer for availability and rates.
- d. Urgent requirements: Agencies may contact contractor or participating dealer to request faster delivery.

12. F.O.B.

F.O.B. destination except Alaska, Hawaii, and Puerto Rico, which will be shipped F.O.B. inland carrier point of exportation.

13. Ordering Address

- a. Herman Miller, Inc.,
Government Customer Care 0161
855 East Main Avenue
Zeeland MI 49464.
- b. For supplies and services, the ordering procedures information on Blanket Purchase Agreements (BPA's) and a sample BPA can be found at the GSA/FSS Schedule homepage (www.fss.gsa.gov/schedules).

14. Payment Address.

Herman Miller, Inc.
22764 Network Place
Chicago, IL 60673-1227

15. Warranty

Herman Miller, Inc., commercial warranty applies.

16. Export Packing Charge

Prices supplied on request.

17. Terms and Conditions of Government Purchase Card Acceptance

(any thresholds above the micropurchase level)

None.

18. Rental Maintenance and Repair Terms

Not applicable

19. Terms and Conditions of Installation

Installation Services will be provided by Herman Miller, Inc., or its participating dealer based on a fee not to exceed \$55 per hour (\$82.50 per hour for after-hours Installation), which applies to services totaling \$150,000 (per SIN) and below only. Services above \$150,000 shall be negotiated on a case-by-case basis.

Additional Notes for Installation & Reconfiguration and Relocation Services:

FOB Destination (Drop Ship): Price includes product delivery to the site, brought to the tailgate of the truck. The purchaser is responsible for unloading.

Prices effective up to the maximum order by SIN only. Above the MO, pricing shall be negotiated on a case-by-case basis between the client and local dealer.

Standard Services are Subject to the Following Conditions:

Installation will be performed during normal weekday working hours.

Adequate facilities for delivery, unloading, moving and staging/storing the product during the installation process shall be provided.

Service work will not be hindered by other trades.

Electric, heat, and adequate elevator service will be furnished without charge.

The immediate installation area shall be complete and free of debris including the carpet/flooring before installation commences.

Any work requiring a licensed electrician is the responsibility of the buyer.

Additional Charges May Apply For:

Major Metro Markets and any non-ground floor installation.

Major Metro Markets include large population centers and urban environments.

Installation in a clinical/medical environment.

Special restrictions or limits established by local laws, ordinances or the directions of the buyer, including but not limited to restrictions on transportations of materials, street access to the job site and/or dock facilities.

Installations outside of a 50 mile radius of the servicing dealer.

Local Prevailing Wage and/or Union Labor Rates.

Any additional charges shall be quoted by the dealer and approved by the buyer prior to performance of the work.

Contract Information

continued

20. Terms and Conditions of Repair Parts

Not applicable

Herman Miller has earned the 4 Star Diversity Visionary Award. This award celebrates the diversity, equality, and inclusion work of Herman Miller. The award is presented at the annual Diversity Equity Inclusion Summit, held by the Grand Rapids Area Chamber of Commerce.

21. Service and Distribution Points

For service and distribution points nearest you, call (800) 851 1196.

Herman Miller named one of the Best and Brightest in Wellness for the fifth year in a row.

22. Participating Dealers

Access Herman Miller web site for current list of participating dealers: www.HermanMiller.com/government.

Working Mother magazine has recognized Herman Miller as one of the 2017 Working Mother 100 Best Companies.

23. Preventive Maintenance

Not applicable

Herman Miller earned our tenth consecutive perfect score in Human Rights Campaign (HRC) Foundation's 2017 Corporate Equality Index.

24a. Special Attributes.

2018

Herman Miller receives the Corporation of the Year—Consumer Products award from the Michigan Minority Supplier Development Council.

As one of the top-scoring companies in our industry for the thirteenth consecutive year, Herman Miller has qualified for inclusion in RobecoSAM's 2017 Sustainability Yearbook and received the Bronze Class distinction for our excellent economic, environmental, and social sustainability performance.

Herman Miller achieves the Advanced Excellence in Supplier Diversity Award from the Great Lakes Women's Business Council for doing business with women-owned suppliers.

Herman Miller has once again earned the WorldatWork Seal of Distinction, a unique standard of excellence in work-life effectiveness that shows we provide a distinct, mutually beneficial workplace experience.

As one of the top-scoring companies in the industry for the fourteenth consecutive year, Herman Miller has qualified for inclusion in RobecoSAM's 2018 Sustainability Yearbook and received the Silver Class distinction for excellent sustainability performance—economic, environmental, and social.

2016

Herman Miller was recognized as the Business of the Year at the Annual Meeting of the West Michigan Environmental Action Council (WMEAC). This award goes to the business with the greatest depth and breadth of support, unwavering dedication to environmental action in West Michigan, and a strong corporate commitment to environmental advocacy.

Aeron receives Good Design Award from The Chicago Athenaeum Museum of Architecture and Design.

The 101 Best and Brightest Sustainable Companies once again (fifth consecutive year) recognized Herman Miller as an organization in Michigan (and for the first time, in the nation) that exhibits leadership and innovation in its approach to sustainability.

The Cosm Chair won the 2018 Best of NeoCon Gold Award in the Ergonomic Seating Category, the Interior Design HiP Award in the Ergonomic Seating Category, and a #MetropolisLikes Award. Cosm also won Mix Interiors "Product of the Year—Task" award.

Herman Miller has been recognized by the Michigan Minority Supplier Development Council (MMSDC), as a "Corporation of the Year", and we also received a "2016 Excellence in Supplier Diversity Award" from the Great Lakes Women's Business Council. Additionally, we are the only West Michigan company this year to receive an "Ambassadors Championing Excellence" Award from the MMSDC.

For the 11th consecutive year, Herman Miller received a perfect score on the Corporate Equality Index and we were designated as Best Place to Work for LGBT equality. This report evaluates U.S. companies in terms of diversity, particularly their LGBT-related policies and practices.

2017

Herman Miller was named the 2017 "Corporation of the Year" in the consumer products sector by the Michigan Minority Supplier Development Council (MMSDC).

Plex Lounge Furniture from Herman Miller receives #MetropolisLikes award at NeoCon 2016.

Plex Lounge Furniture from Herman Miller receives Interior Design HiP Award for Workplace Seating/Lounge at NeoCon 2016.

Herman Miller has received a 2017 SEAL (Sustainability, Environmental Achievement and Leadership) Business Sustainability Award.

Spot Stools from Herman Miller Collection receive Interior Design HiP Award for Hospitality Seating at NeoCon 2016.

Contract Information

continued

Herman Miller has been named a 2020 Women on Boards Winning Company. Companies selected for this recognition are considered champions of board diversity as 20 percent or more of their board seats are occupied by women.

Herman Miller selected for inclusion in the 2016 RobecoSAM Sustainability Yearbook for twelfth consecutive year.

Herman Miller again earns the WorldatWork Work-Life 2016 Seal of Distinction. This award identifies organizations that focus on programs that promote work-life balance and overall well-being.

2015

Herman Miller earns ninth consecutive perfect score in Human Rights Campaign (HRC) Foundation's 2016 Corporate Equality Index and we were designated as Best Place to Work for LGBT equality.

This is the fourth consecutive year that Herman Miller was named one of Michigan's Best and Brightest Sustainable Companies.

Herman Miller has received the Best and Brightest in Wellness Award for the third year in a row. This program is an innovative initiative that recognizes and celebrates quality and excellence in health awareness.

Herman Miller received the Forest Stewardship Council (FSC) Leadership Award for longstanding commitment to manufacturing with wood sourced from responsibly managed forests, which reduces environmental impacts by protecting against deforestation and forest degradation.

Herman Miller accepted its second Excellence in Reusable Packaging Award from the Reusable Packaging Association.

Herman Miller has once again been recognized for its commitment to best-in-class economic, environmental, and societal sustainability, earning a spot on the prestigious Dow Jones Sustainability Index (DJSI) for the twelfth consecutive year. We are the only contract furniture company recognized globally for its corporate sustainability leadership.

Herman Miller selected for inclusion in the 2015 RobecoSAM Sustainability Yearbook; awarded Bronze Class distinction for excellent sustainability performance for the second consecutive year.

Herman Miller received a Michigan Business Pollution Prevention (MBP3) Certificate – a recognition given by the Michigan Department of Environmental Quality (MDEQ) to organizations committed to environmental stewardship, conservation, and sustainable operations. This basic partnership with the MDEQ, which we've maintained since 1998, makes us eligible for our Clean Corporate Citizen (CCC) status that began in 2004 and our Environmental Leader status, which we received for the first time this past year.

MedAssets named Herman Miller Healthcare as Platinum Suppliers. MedAssets, a large group purchasing organization, helps providers enhance operational and financial performance so they can sustainably serve the needs of their community.

Herman Miller honored with five of 20 spots for the Michigan Environmental Leaders Award by the Michigan Department of Environmental Quality for our outstanding, voluntary environmental stewardship.

Renew Sit-to-Stand tables recognized on Record Products 2014 list by Architectural Record.

Herman Miller was again awarded a perfect score in the 2015 Corporate Equality Index. This is the eighth consecutive year we received a perfect score.

2014

Herman Miller has received the Best and Brightest in Wellness Award for the second year in a row. This program is an innovative initiative that recognizes and celebrates quality and excellence in health awareness.

Herman Miller's Locale wins International Design Excellence Awards (IDEA) Gold in the Office & Productivity category.

Herman Miller achieves eleventh consecutive listing on Dow Jones Sustainability World Index, an international stock portfolio that evaluates the annual performance of the world's largest 2500 companies using economic, environmental, and social criteria, known as the "triple bottom line" of sustainability.

2013

Herman Miller achieves tenth consecutive listing on Dow Jones Sustainability World Index.

Herman Miller has received the Best and Brightest in Wellness Award. This program is an innovative initiative that recognizes and celebrates quality and excellence in health awareness.

Herman Miller Earns Perfect Score on the Corporate Equality Index. We are one of only 303 major U.S. businesses to receive a perfect score in 2013, an achievement we have now obtained seven years in a row.

Herman Miller is listed in Forbes Magazine inaugural "Platinum List" of America's 400 best managed, large companies.

For the second consecutive year, Herman Miller is honored as one of West Michigan's "101 Best and Brightest Sustainable Companies".

2012

Herman Miller accepted its first Excellence in Reusable Packaging Award from the Reusable Packaging Association.

Contract Information

continued

Herman Miller is named “Corporation of the Year” in the commercial products sector by the Michigan Minority Supplier Development Council.

In July 2012 Herman Miller was inducted into the Made in the USA Hall of Fame. Herman Miller is one of only 20 companies across the nation to receive this distinction.

Herman Miller achieves ninth consecutive listing on Dow Jones Sustainability World Index.

Herman Miller is honored as one of West Michigan’s 101 Best and Brightest Sustainable Companies.

The Sustainable Asset Management (SAM) group selected Herman Miller for inclusion in “The Sustainability Yearbook 2012” and has awarded Herman Miller both the “SAM Sector Leader” and “SAM Sector Mover” distinctions.

Herman Miller was named one of 16 Section Leaders on Climate Counts 2011-2012 Scorecard Report, making us the industry leader for Home and office Furnishings.

SGS International Certification Services, Inc., recognizes Herman Miller’s manufacturing sites, Midwest Distribution Center, and Design Yard for initial certification to the OHSAS 18001 standard as well as re-certification to ISO 14001.

2011

Trust Across America, a company dedicated to unraveling the complexities of trustworthy business behavior, listed Herman Miller as one of their “Top Ten Most Trustworthy Companies in America 2011.”

The U.S. Environmental Protection Agency (EPA) selected Herman Miller, as a WasteWise Gold Achievement—Climate Change winner.

Herman Miller achieves eighth consecutive listing on Dow Jones Sustainability World Index, an international stock portfolio that evaluates the annual performance of the world’s largest 2500 companies using economic, environmental, and social criteria, known as the “triple bottom line” of sustainability.

The Michigan Minority Supplier Development Council (MMSDC) named Herman Miller as its “Corporation of the Year” in the commercial products sector. This was the fifth time Herman Miller has received this award since 2005.

Herman Miller accepted its third Neighborhood Environmental Partners (NEP) award from the Michigan Department of Natural Resources and Environment.

Herman Miller receives the Reader’s Choice award from TreeHugger’s Best of Green: Design and Architecture category for the SAYL chair.

Herman Miller earns Citibank’s Global Environmental Vendor of the Year award.

The SAYL chair from Herman Miller was dubbed the “Product Design of the Year” from the 2010 International Design Awards (IDA) jury.

Herman Miller Healthcare’s Compass system was awarded a 2011 Medical Design Excellence Award (MDEA) for its research-based design and ability to be used in a variety of healing spaces, while simultaneously improving the overall delivery of healthcare.

The Sustainable Asset Management (SAM) Group selected Herman Miller for inclusion in the “Sustainability Yearbook 2011” and awarded us both the “SAM Sector Leader” and “SAM Sector Mover” distinctions.

Herman Miller has received the top rating for a fourth consecutive year in the Human Rights Campaign (HRC) Foundation’s eighth annual Corporate Equality Index. The “Best Places to Work for LGBT Equality” distinction is awarded to businesses that scored 100% on the HRC Foundation’s 2011 Corporate Equality Index.

Herman Miller again tops contract furniture industry in FORTUNE’s ‘Most Admired’ Companies survey. For the 23rd time in 25 years.

24b. Section 508 Compliance

Not applicable

25. Data Universal Numbering System (DUNS): 00-601-2801

26. Registered in System for Award Management (www.SAM.gov) Database

27. Cancellation

Prior to production, no cancellation charge will apply. After production, only actual cost incurred that the contractor can demonstrate if items are sold after 3 months.

28. Restocking Charges

Agencies must notify the contractor for authorization prior to returning any items. The customer agency will be required to pay all packaging and return freight charges. A restocking fee of 50% for Systems Furniture and 35% for all other product lines will be charged for any returned items.

Herman Miller Miscellaneous Information:

Federal ID Number: 38-0837640

Commercial and Government Entity Code (CAGE): 40636

Data Universal Numbering System (DUNS) 00-601-2801

Commercial Entity Code (CEC): 00702290J

Introduction	page 2
Motia® Sit-to-Stand Tables	3
Adjustable-Height Tables	5
Sit-to-Stand Table Bases	18
Indices	27
By Name	27
By Number	29
Appendices	
20-Day or Less/Assigned Lead-Time Order Information	
Vary Easy Program	
Stain-to-Match Program	
For the latest materials information, refer to the Materials pages on HermanMiller.com.	

Introduction

A Note on the Organization of This Book

There are a few signals that will help you understand the organization of this book. Once you know them, you should be able to find your way around easily.

Like a newspaper, this book is formatted with columns of text and illustrations that run vertically.

Information wraps from one column to the next and continues for as many pages as it needs to.

Black bars are clues.

A black bar at the top of a page signals the start of information about a product.

This information is divided into two sections, each signaled by a black bar. Product Information includes a description, additional notes, and dimensional drawings. Specification Information, which always begins at the top of a column, includes a series of steps. Each step represents a decision you need to make in order to complete your product number. Steps must be followed sequentially. The number of pages needed to complete information on a product varies; some will be complete in one page; others may fill three or four pages. Just continue going through the steps until you run into the next product, signaled by the black bar at the top of the page.

Black tabs running along the outside edge of the page help you locate what section you are in or what section you want to go to. You can thumb forwards or backwards to find a section; tabs and text appear on both sides of the page.

The additional pages in the back of the book include the appendices and indices. They are signaled by a long black bar running along the outside edge of the page.

The index is presented two ways.

The first index is in alphabetical order by product name. It can be helpful if you are new to the products and numbering scheme or if you are looking for a type of product, such as work chair or round table.

The second index is by product number. It lists, in alphanumeric order, the base product number, typically a five-digit number.

General Information

This book is effective April 1, 2019, subject to change without notice. Products may be purchased from authorized Herman Miller dealers who will quote prices upon request. For more information about our products and services or to see a list of dealers, visit www.HermanMiller.com.


All prices are list prices. Additional services, such as planning services, design, storage, and installation, are not included and must be added to these prices when the additional services are requested.


Illustrations, specifications, and prices are based on the latest information at the time of publication. The right is reserved to make changes at any time without notice in prices, fabrics, finishes, materials, specifications, and models, and also to discontinue models and finishes.

Dimensions shown in the drawings are engineering drawing dimensions rounded up to the nearest $\frac{1}{8}$ ". Product is shipped set up or knocked down. Products that include "Shipped knocked down" in the description require some assembly. If this statement does not appear in the description, the product is shipped assembled.

Service problems are normally handled by a Herman Miller authorized dealer. Where this cannot be accomplished on a local level, service problems should be referred to the Customer Care Representative for your region, Herman Miller, Inc., Zeeland, Michigan 49464.

20-Day or Less/Assigned Lead-Time Shipments

All products and options in this price book not designated by an Assigned Program icon  will ship in **20 business days or less** after being acknowledged by Herman Miller.

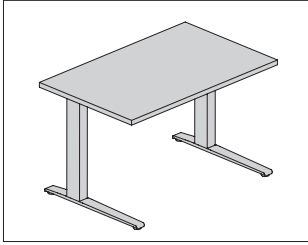
Products and options designated by an  are on the assigned lead-time program and may ship in 20 days, less than 20 days, or more than 20 days from order acknowledgement.

Adjustable Height Tables

Sit to Stand Table Bases



Rectangular Table with C-Foot DV6ACS



Product Information

Description

This rectangular height-adjustable table has a C-leg configuration and laminate top with square thermoplastic edge or a laminate top with a thermoplastic backed plywood edge. Multiple height adjustment options come with a simple up/down touch switch. Glides have 1/2" leveling range. Shipped knocked down. Product is UL Listed.

Notes

Floor to top-of-surface height adjustment ranges are 27"-46" for the electric standard range (E) option, and 22"-48" for the electric extended range (D) option.

Sizes listed for table depth and width are nominal. Depth of surface is reduced 1" for cord management. Width of surface is reduced 2" to minimize possible pinch point hazards.

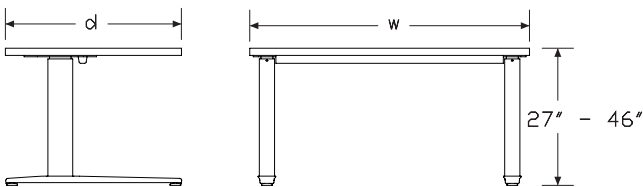
Legs are nearly flush with sides of the surface for maximum knee clearance. Knee clearance is equal to nominal top width minus 8".

Table includes stiffener located toward back of table for increased leg clearance.

See Motia™ Sit-to-Stand Tables planning guide for additional information about compatible products such as screens and wire managers.

For additional edge, finish, and cutout options, see Vary Easy Program in appendices.

Dimensions



Specification Information

Step 1.

DV6AC [A]

Step 2. Edge

S. squared-edge [A]

Step 3. Depth

24 24" deep (23" surface size) [A]

30 30" deep (29" surface size) [A]

Step 4. Width

48 48" wide (46" surface size) [A]

54 54" wide (52" surface size) [A]

60 60" wide (58" surface size) [A]

66 66" wide (64" surface size) [A]

72 72" wide (70" surface size) [A]

Step 5. Surface Material

L laminate top/thermoplastic edge [A]

U laminate top/universal edge [A]

Step 6. Mechanism

E electric standard range [A]

D electric extended range [A]

Prices for Steps 1-6.

		LE	LD	UE	UD
DV6ACS.	24 48	\$1886	2075	1886	2075
	54	\$1952	2135	1952	2135
	60	\$1995	2174	1995	2174
	66	\$2055	2228	2055	2228
	72	\$2113	2280	2113	2280
	30 48	\$2001	2190	2001	2190
	54	\$2082	2266	2082	2266
	60	\$2132	2310	2132	2310
	66	\$2209	2382	2209	2382
	72	\$2284	2451	2284	2451

Step 7. Switch Option

STS simple up/down touch switch [A] +\$0

Rectangular Table with C-Foot

continued

Motia® Adjustable Height Tables

Step 8. Top Finish		
8Q	folkstone grey <input type="checkbox"/>	+\$0
91	white <input type="checkbox"/>	+\$0
98	studio white <input type="checkbox"/>	+\$0
CL	cool grey neutral <input type="checkbox"/>	+\$0
HF	inner tone light <input type="checkbox"/>	+\$0
HM	natural maple <input type="checkbox"/>	+\$0
HP	light anigre <input type="checkbox"/>	+\$0
HT	inner tone <input type="checkbox"/>	+\$0
HX	aged cherry <input type="checkbox"/>	+\$0
HY	walnut on cherry <input type="checkbox"/>	+\$0
LA	light ash <input type="checkbox"/>	+\$0
LBA	clear on ash <input type="checkbox"/>	+\$0
LBB	oak on ash <input type="checkbox"/>	+\$0
LBC	walnut on ash <input type="checkbox"/>	+\$0
LBD	dark brown walnut <input type="checkbox"/>	+\$0
LBF	neutral twill <input type="checkbox"/>	+\$0
LBG	sarum twill <input type="checkbox"/>	+\$0
LBH	earthen twill <input type="checkbox"/>	+\$0
LBJ	graphite twill <input type="checkbox"/>	+\$0
LBM	crisp linen <input type="checkbox"/>	+\$0
LBN	classic linen <input type="checkbox"/>	+\$0
LBP	casual linen <input type="checkbox"/>	+\$0
LBQ	white twill <input type="checkbox"/>	+\$0
LBR	phantom ecru <input type="checkbox"/>	+\$0
LBS	phantom cocoa <input type="checkbox"/>	+\$0
LBU	medium matte walnut <input type="checkbox"/>	+\$0
LBV	warm grey teak <input type="checkbox"/>	+\$0
LT	light tone <input type="checkbox"/>	+\$0
LU	soft white <input type="checkbox"/>	+\$0
MT	medium tone <input type="checkbox"/>	+\$0
WL	sandstone <input type="checkbox"/>	+\$0
WN	warm grey neutral <input type="checkbox"/>	+\$0

Step 9. Edge Finish		
<i>For laminate top/thermoplastic edge (L)</i>		
8Q	folkstone grey <input type="checkbox"/>	+\$0
8Z	neutral grey <input type="checkbox"/>	+\$0
91	white <input type="checkbox"/>	+\$0
98	studio white <input type="checkbox"/>	+\$0
BU	black umber <input type="checkbox"/>	+\$0
CL	cool grey neutral <input type="checkbox"/>	+\$0
HF	inner tone light <input type="checkbox"/>	+\$0
HM	natural maple <input type="checkbox"/>	+\$0
HP	light anigre <input type="checkbox"/>	+\$0
HT	inner tone <input type="checkbox"/>	+\$0

HX	aged cherry <input type="checkbox"/>	+\$0
HY	walnut on cherry <input type="checkbox"/>	+\$0
JB	millwork cherry <input type="checkbox"/>	+\$0
LA	light ash <input type="checkbox"/>	+\$0
LBA	clear on ash <input type="checkbox"/>	+\$0
LBB	oak on ash <input type="checkbox"/>	+\$0
LBC	walnut on ash <input type="checkbox"/>	+\$0
LBD	dark brown walnut <input type="checkbox"/>	+\$0
LBF	neutral twill <input type="checkbox"/>	+\$0
LBG	sarum twill <input type="checkbox"/>	+\$0
LBH	earthen twill <input type="checkbox"/>	+\$0
LBJ	graphite twill <input type="checkbox"/>	+\$0
LBK	pewter mesh <input type="checkbox"/>	+\$0
LBL	steel mesh <input type="checkbox"/>	+\$0
LBM	crisp linen <input type="checkbox"/>	+\$0
LBN	classic linen <input type="checkbox"/>	+\$0
LBP	casual linen <input type="checkbox"/>	+\$0
LBQ	white twill <input type="checkbox"/>	+\$0
LBR	phantom ecru <input type="checkbox"/>	+\$0
LBS	phantom cocoa <input type="checkbox"/>	+\$0
LBU	medium matte walnut <input type="checkbox"/>	+\$0
LBV	warm grey teak <input type="checkbox"/>	+\$0
LU	soft white <input type="checkbox"/>	+\$0
MT	medium tone <input type="checkbox"/>	+\$0
WL	sandstone <input type="checkbox"/>	+\$0
WN	warm grey neutral <input type="checkbox"/>	+\$0

<i>For laminate top/universal edge (U)</i>		
PLY	plywood edge <input type="checkbox"/>	+\$50

Step 10. Base Finish		
<i>Metallic Paint</i>		
CN	metallic champagne <input type="checkbox"/>	+\$0
MS	metallic silver <input type="checkbox"/>	+\$0

<i>Sand Texture Paint</i>		
BK	black <input type="checkbox"/>	+\$0
G1	graphite <input type="checkbox"/>	+\$0

<i>Smooth Paint</i>		
8Q	folkstone grey <input type="checkbox"/>	+\$0
91	white <input type="checkbox"/>	+\$0
98	studio white <input type="checkbox"/>	+\$0
WL	sandstone <input type="checkbox"/>	+\$0
WN	warm grey neutral <input type="checkbox"/>	+\$0

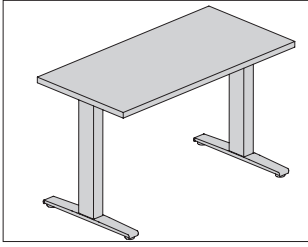
Rectangular Table with C-Foot

continued

Step 11. Glides		
57	glides <input type="checkbox"/>	+\$0

Rectangular Table with T-Foot

DV6ATS



Motia® Adjustable Height Tables

Product Information

Description

This rectangular height-adjustable table has a T-leg configuration and laminate top with square thermoplastic edge or a laminate top with a thermoplastic backed plywood edge. Multiple height adjustment options come with a simple up/down touch switch, simple up/down paddle switch, digital readout with memory, or with no switch to accommodate adding Live Platform™ to the table. Glides have 1/2" leveling range. Shipped knocked down. Product is UL Listed.

Notes

Floor to top-of-surface height adjustment ranges are 27"-46" for the electric standard range (E) option, and 22"-48" for the electric extended range (D) option.

Sizes listed for table depth and width are nominal. Depth of surface is reduced 1" for cord management. Width of surface is reduced 2" to minimize possible pinch point hazards.

Legs specified outbound (1) are nearly flush with sides of the surface for maximum knee clearance. Knee clearance is equal to nominal top width minus 8".

Table includes stiffener located toward back of table for increased leg clearance.

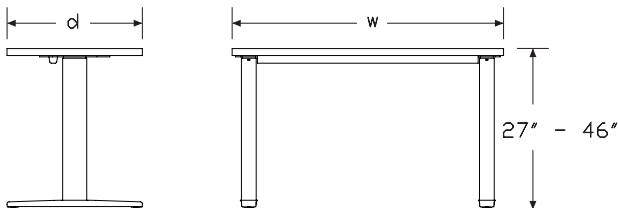
When specifying cable trough option (2 or 3), trough finish will match table base finish.

When specifying a power access cutout (RC, LC, CC), order Logic mini unit (Y1414.) and grommet (Y1412.) separately.

See Motia® Sit-to-Stand Tables planning guide for additional information about compatible products such as screens and wire managers.

For additional edge, finish, and cutout options, see Vary Easy Program in appendices.

Dimensions



Specification Information

Step 1.

DV6AT A

Step 2. Edge

S. squared-edge A

Step 3. Depth

24 24" deep (23" surface size) A

30 30" deep (29" surface size) A

Step 4. Width

For 30" deep (29" surface size) (30)

48 48" wide (46" surface size) A

54 54" wide (52" surface size) A

60 60" wide (58" surface size) A

66 66" wide (64" surface size) A

72 72" wide (70" surface size) A

For 24" deep (23" surface size) (24)

48 48" wide (46" surface size) A

54 54" wide (52" surface size) A

60 60" wide (58" surface size) A

66 66" wide (64" surface size) A

72 72" wide (70" surface size) A

Step 5. Surface Material

L laminate top/thermoplastic edge A

U laminate top/universal edge A

Step 6. Top Thickness

04 1 1/4" thick A

Step 7. Mechanism

E electric standard range A

D electric extended range A

Step 8. Leg Location

1 legs outbound (no surface mounted storage) A

Rectangular Table with T-Foot

continued

Prices for Steps 1-8.

	L04E1	L04D1	U04E1	U04D1
DV6ATS. 24 48	\$1886	2075	1886	2075
54	\$1952	2135	1952	2135
60	\$1995	2174	1995	2174
66	\$2055	2228	2055	2228
72	\$2113	2280	2113	2280
30 48	\$2001	2190	2001	2190
54	\$2082	2266	2082	2266
60	\$2132	2310	2132	2310
66	\$2209	2382	2209	2382
72	\$2284	2451	2284	2451

Step 9. Switch Option

STS	simple up/down touch switch <input type="checkbox"/>	+\$0
SUD	simple up down - paddle switch <input type="checkbox"/>	+\$50
SRM	digital read out with memory <input type="checkbox"/>	+\$160
SMT	no switch - LO100 <input type="checkbox"/>	+\$0

Step 10. Top Finish

8Q	folkstone grey <input type="checkbox"/>	+\$0
91	white <input type="checkbox"/>	+\$0
98	studio white <input type="checkbox"/>	+\$0
CL	cool grey neutral <input type="checkbox"/>	+\$0
HF	inner tone light <input type="checkbox"/>	+\$0
HM	natural maple <input type="checkbox"/>	+\$0
HP	light anigre <input type="checkbox"/>	+\$0
HT	inner tone <input type="checkbox"/>	+\$0
HX	aged cherry <input type="checkbox"/>	+\$0
HY	walnut on cherry <input type="checkbox"/>	+\$0
LA	light ash <input type="checkbox"/>	+\$0
LBA	clear on ash <input type="checkbox"/>	+\$0
LBR	phantom ecru <input type="checkbox"/>	+\$0
LBS	phantom cocoa <input type="checkbox"/>	+\$0
LBU	medium matte walnut <input type="checkbox"/>	+\$0
LBV	warm grey teak <input type="checkbox"/>	+\$0
LBB	oak on ash <input type="checkbox"/>	+\$0
LBC	walnut on ash <input type="checkbox"/>	+\$0
LBD	dark brown walnut <input type="checkbox"/>	+\$0
LBF	neutral twill <input type="checkbox"/>	+\$0
LBG	sarum twill <input type="checkbox"/>	+\$0
LBH	earthen twill <input type="checkbox"/>	+\$0
LBJ	graphite twill <input type="checkbox"/>	+\$0
LBM	crisp linen <input type="checkbox"/>	+\$0
LBN	classic linen <input type="checkbox"/>	+\$0
LBP	casual linen <input type="checkbox"/>	+\$0
LBQ	white twill <input type="checkbox"/>	+\$0
LT	light tone <input type="checkbox"/>	+\$0
LU	soft white <input type="checkbox"/>	+\$0
MT	medium tone <input type="checkbox"/>	+\$0
WL	sandstone <input type="checkbox"/>	+\$0
WN	warm grey neutral <input type="checkbox"/>	+\$0

Step 11. Edge Finish

For laminate top/thermoplastic edge (L)

8Q	folkstone grey <input type="checkbox"/>	+\$0
8Z	neutral grey <input type="checkbox"/>	+\$0
91	white <input type="checkbox"/>	+\$0
98	studio white <input type="checkbox"/>	+\$0
BU	black umber <input type="checkbox"/>	+\$0
CL	cool grey neutral <input type="checkbox"/>	+\$0
HF	inner tone light <input type="checkbox"/>	+\$0
HM	natural maple <input type="checkbox"/>	+\$0
HP	light anigre <input type="checkbox"/>	+\$0
HT	inner tone <input type="checkbox"/>	+\$0

Rectangular Table with T-Foot

continued

Motia® Adjustable Height Tables

HX	aged cherry <input type="checkbox"/>	+\$0
HY	walnut on cherry <input type="checkbox"/>	+\$0
JB	millwork cherry <input type="checkbox"/>	+\$0
LA	light ash <input type="checkbox"/>	+\$0
LBA	clear on ash <input type="checkbox"/>	+\$0
LBR	phantom ecru <input type="checkbox"/>	+\$0
LBS	phantom cocoa <input type="checkbox"/>	+\$0
LBU	medium matte walnut <input type="checkbox"/>	+\$0
LBV	warm grey teak <input type="checkbox"/>	+\$0
LBB	oak on ash <input type="checkbox"/>	+\$0
LBC	walnut on ash <input type="checkbox"/>	+\$0
LBD	dark brown walnut <input type="checkbox"/>	+\$0
LBF	neutral twill <input type="checkbox"/>	+\$0
LBG	sarum twill <input type="checkbox"/>	+\$0
LBH	earthen twill <input type="checkbox"/>	+\$0
LBJ	graphite twill <input type="checkbox"/>	+\$0
LBK	pewter mesh <input type="checkbox"/>	+\$0
LBL	steel mesh <input type="checkbox"/>	+\$0
LBM	crisp linen <input type="checkbox"/>	+\$0
LBN	classic linen <input type="checkbox"/>	+\$0
LBP	casual linen <input type="checkbox"/>	+\$0
LBQ	white twill <input type="checkbox"/>	+\$0
LU	soft white <input type="checkbox"/>	+\$0
MT	medium tone <input type="checkbox"/>	+\$0
WL	sandstone <input type="checkbox"/>	+\$0
WN	warm grey neutral <input type="checkbox"/>	+\$0

For laminate top/universal edge (U)

PLY	plywood edge	+\$50
------------	--------------	-------

Step 12. Base Finish

Metallic Paint

CN	metallic champagne <input type="checkbox"/>	+\$0
MS	metallic silver <input type="checkbox"/>	+\$0

Sand Texture Paint

BK	black <input type="checkbox"/>	+\$0
G1	graphite <input type="checkbox"/>	+\$0

Smooth Paint

8Q	folkstone grey <input type="checkbox"/>	+\$0
91	white <input type="checkbox"/>	+\$0
98	studio white <input type="checkbox"/>	+\$0
WL	sandstone <input type="checkbox"/>	+\$0
WN	warm grey neutral <input type="checkbox"/>	+\$0

Step 13. Cable Trough

For 24" deep (23" surface size) (24)

2	hinged cable trough for 24" deep surface <input type="checkbox"/>	+\$275
N	no cable trough <input type="checkbox"/>	+\$0

For 30" deep (29" surface size) (30)

3	hinged cable trough for 30" deep surface <input type="checkbox"/>	+\$275
N	no cable trough <input type="checkbox"/>	+\$0

Step 14. Power Access Cutout

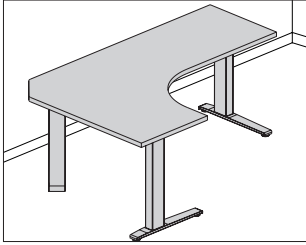
NC	no cutout <input type="checkbox"/>	+\$0
RC	right cutout for Logic Mini - Y1414 and Y1412 <input type="checkbox"/>	+\$55
LC	left cutout for Logic Mini - Y1414 and Y1412 <input type="checkbox"/>	+\$55
CC	center cutout for Logic Mini - <input type="checkbox"/>	+\$55

Step 15. Glides

57	glides <input type="checkbox"/>	+\$0
-----------	---------------------------------	------

Extended Corner Table with C-Foot

DV6ECS



Product Information

Description

This height-adjustable 90° extended corner table has a C-leg configuration and laminate top with square thermoplastic edge. Multiple height adjustment options come with a simple up/down touch switch. Glides have 1/2" leveling range. Shipped knocked down. Product is UL Listed.

Notes

Floor to top-of-surface height adjustment ranges are 27"-46" for the electric standard range (E) option, and 22"-48" for the electric extended range (D) option.

Sizes listed for table depth and width are nominal. Depth of surface is reduced 1" for cord management. Width of surface is reduced 2" to minimize possible pinch point hazards.

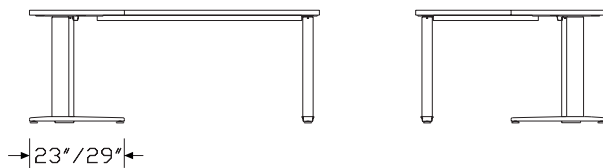
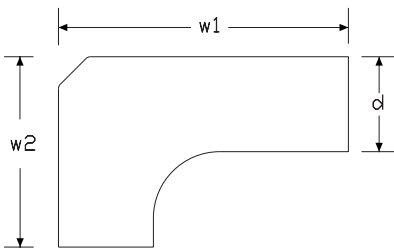
Legs are nearly flush with sides of the surface for maximum knee clearance. Knee clearance is equal to nominal top width minus 8".

Table includes stiffener located toward back of table for increased leg clearance.

See Motia™ Sit-to-Stand Tables planning guide for additional information about compatible products such as screens and wire managers.

For additional edge, finish, and cutout options, see Vary Easy Program in appendices.

Dimensions



Specification Information

Step 1.

DV6EC

Step 2. Edge

S. squared-edge

Step 3. Depth

24 24" deep (23" surface size)

30 30" deep (29" surface size)

Step 4. Width

4260 42" wide left x 60" wide right (40" x 58" surface size)

4272 42" wide left x 72" wide right (40" x 70" surface size)

4860 48" wide left x 60" wide right (46" x 58" surface size)

4872 48" wide left x 72" wide right (46" x 70" surface size)

5454 54" wide left x 54" wide right (52" x 52" surface size)

6042 60" wide left x 42" wide right (58" x 40" surface size)

6048 60" wide left x 48" wide right (58" x 46" surface size)

6060 60" wide left x 60" wide right (58" x 58" surface size)

7242 72" wide left x 42" wide right (70" x 40" surface size)

7248 72" wide left x 48" wide right (70" x 46" surface size)

Step 5. Surface Material

L laminate top/thermoplastic edge

Step 6. Mechanism

E electric standard range

D electric extended range

Prices for Steps 1-6.

		LE	LD
DV6ECS.	24 4260	\$3355	3695
	4272	\$3412	3792
	4860	\$3512	3893
	4872	\$3596	3982
	5454	\$3591	3639
	6042	\$3355	3695
	6048	\$3512	3893
	6060	\$3688	3738
	7242	\$3412	3792
	7248	\$3596	3982

Extended Corner Table with C-Foot *continued*

30 4260	\$3482	3911
4272	\$3580	4016
4860	\$3678	4124
4872	\$3768	4234
5454	\$3919	4100
6042	\$3482	3911
6048	\$3678	4124
6060	\$4027	4213
7242	\$3580	4016
7248	\$3768	4234

Step 7. Switch Option

STS	simple up/down touch switch <input type="checkbox"/>	+\$0
------------	--	------

Step 8. Top Finish

8Q	folkstone grey <input type="checkbox"/>	+\$0
91	white <input type="checkbox"/>	+\$0
98	studio white <input type="checkbox"/>	+\$0
CL	cool grey neutral <input type="checkbox"/>	+\$0
HF	inner tone light <input type="checkbox"/>	+\$0
HM	natural maple <input type="checkbox"/>	+\$0
HP	light anigre <input type="checkbox"/>	+\$0
HT	inner tone <input type="checkbox"/>	+\$0
HX	aged cherry <input type="checkbox"/>	+\$0
HY	walnut on cherry <input type="checkbox"/>	+\$0
LA	light ash <input type="checkbox"/>	+\$0
LBA	clear on ash <input type="checkbox"/>	+\$0
LBB	oak on ash <input type="checkbox"/>	+\$0
LBC	walnut on ash <input type="checkbox"/>	+\$0
LBD	dark brown walnut <input type="checkbox"/>	+\$0
LBF	neutral twill <input type="checkbox"/>	+\$0
LBG	sarum twill <input type="checkbox"/>	+\$0
LBH	earthen twill <input type="checkbox"/>	+\$0
LBJ	graphite twill <input type="checkbox"/>	+\$0
LBM	crisp linen <input type="checkbox"/>	+\$0
LBN	classic linen <input type="checkbox"/>	+\$0
LBP	casual linen <input type="checkbox"/>	+\$0
LBQ	white twill <input type="checkbox"/>	+\$0
LBR	phantom ecru <input type="checkbox"/>	+\$0
LBS	phantom cocoa <input type="checkbox"/>	+\$0
LBU	medium matte walnut <input type="checkbox"/>	+\$0
LBV	warm grey teak <input type="checkbox"/>	+\$0
LT	light tone <input type="checkbox"/>	+\$0
LU	soft white <input type="checkbox"/>	+\$0
MT	medium tone <input type="checkbox"/>	+\$0
WL	sandstone <input type="checkbox"/>	+\$0
WN	warm grey neutral <input type="checkbox"/>	+\$0

Step 9. Edge Finish

8Q	folkstone grey <input type="checkbox"/>	+\$0
8Z	neutral grey <input type="checkbox"/>	+\$0
91	white <input type="checkbox"/>	+\$0
98	studio white <input type="checkbox"/>	+\$0
BU	black umber <input type="checkbox"/>	+\$0
CL	cool grey neutral <input type="checkbox"/>	+\$0
HF	inner tone light <input type="checkbox"/>	+\$0
HM	natural maple <input type="checkbox"/>	+\$0
HP	light anigre <input type="checkbox"/>	+\$0
HT	inner tone <input type="checkbox"/>	+\$0
HX	aged cherry <input type="checkbox"/>	+\$0
HY	walnut on cherry <input type="checkbox"/>	+\$0
JB	millwork cherry <input type="checkbox"/>	+\$0
LA	light ash <input type="checkbox"/>	+\$0
LBA	clear on ash <input type="checkbox"/>	+\$0
LBB	oak on ash <input type="checkbox"/>	+\$0
LBC	walnut on ash <input type="checkbox"/>	+\$0
LBD	dark brown walnut <input type="checkbox"/>	+\$0
LBF	neutral twill <input type="checkbox"/>	+\$0
LBG	sarum twill <input type="checkbox"/>	+\$0
LBH	earthen twill <input type="checkbox"/>	+\$0
LBJ	graphite twill <input type="checkbox"/>	+\$0
LBK	pewter mesh <input type="checkbox"/>	+\$0
LBL	steel mesh <input type="checkbox"/>	+\$0
LBM	crisp linen <input type="checkbox"/>	+\$0
LBN	classic linen <input type="checkbox"/>	+\$0
LBP	casual linen <input type="checkbox"/>	+\$0
LBQ	white twill <input type="checkbox"/>	+\$0
LBR	phantom ecru <input type="checkbox"/>	+\$0
LBS	phantom cocoa <input type="checkbox"/>	+\$0
LBU	medium matte walnut <input type="checkbox"/>	+\$0
LBV	warm grey teak <input type="checkbox"/>	+\$0
LU	soft white <input type="checkbox"/>	+\$0
MT	medium tone <input type="checkbox"/>	+\$0
WL	sandstone <input type="checkbox"/>	+\$0
WN	warm grey neutral <input type="checkbox"/>	+\$0

Step 10. Base Finish

Metallic Paint

CN	metallic champagne <input type="checkbox"/>	+\$0
MS	metallic silver <input type="checkbox"/>	+\$0

Sand Texture Paint

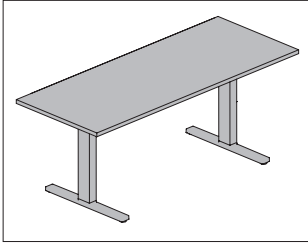
BK	black <input type="checkbox"/>	+\$0
G1	graphite <input type="checkbox"/>	+\$0

Extended Corner Table with C-Foot *continued*

Smooth Paint		
8Q	folkstone grey <input type="checkbox"/> A	+\$0
91	white <input type="checkbox"/> A	+\$0
98	studio white <input type="checkbox"/> A	+\$0
WL	sandstone <input type="checkbox"/> A	+\$0
WN	warm grey neutral <input type="checkbox"/> A	+\$0

Step 11. Glides		
57	glides <input type="checkbox"/> A	+\$0

Motia® Vista™ Rectangular Table DV6GTS with T-Foot



Motia® Adjustable Height Tables

Product Information

Description

This rectangular height adjustable table has a T-leg configuration and laminate top with square thermoplastic edge, laminate top with thermoplastic backed plywood edge or veneer top and edge. Multiple height adjustment options come with a simple up/down touch switch, simple up/down paddle switch or with no switch to accommodate adding Live Platform™ to the table. Glides have 1/2" leveling range. Work surface stiffener included. Shipped knocked down. Product is UL Listed.

Notes

Floor to top-of-surface height adjustment ranges are 27"-46" for the electric standard range (E) option, and 22"-48" for the electric extended range (D) option.

Sizes listed for table depth and width are nominal. Depth of surface is reduced by 1" for cord management. Width of surface is reduced 2" to minimize possible pinch point hazards.

When no under-surface mounted storage (L2SCF., L2SDF.) is used, specify legs outbound (1) location.

To use under-surface mounted storage (L2SCF., L2SDF.) on both ends of the surface, specify legs inbound for under surface storage on both ends (2) location.

To use under-surface mounted storage (L2SCF., L2SDF.) on the right- or left-hand end of the surface, specify legs inbound for under surface storage on left or right end (3) location. This will make the table handed. Surface will come with inbound leg holes; the outbound leg holes will need to be field drilled.

Table includes stiffener.

When specifying cable trough (2, 3), trough finish will match table base finish.

When specifying a power access cutout (RC, LC, CC), Logic Mini unit (Y1414.) and grommet (Y1412.) must be ordered separately.

When specifying a 24"D x 54"W table with legs inbound for under surface storage on both ends (2) option, the hinged cable trough option is not available. It is recommended to use the (Y1200.48N) cable trough, ordered separately.

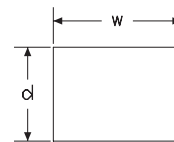
Order the following optional products separately:

- Vista modesty + privacy screen-double sided, height adjustable table (Y1130.)
- Vista modesty screen-double sided, height adjustable table (Y1131.)
- Suspended cubby (L2SCF.)
- Suspended drawer (L2SDF.)

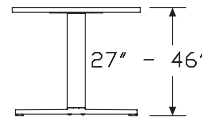
For additional planning information, see planning guide.

For additional product options, see Vary Easy Program in appendices.

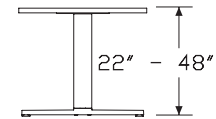
Dimensions



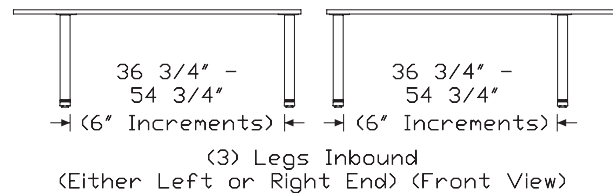
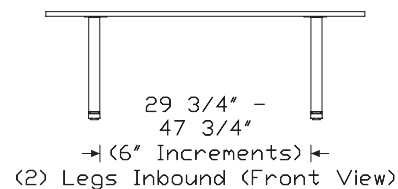
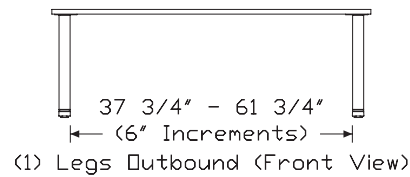
1 1/8", 1 1/4"
Laminate, Veneer



(E) Electric Standard Range



(D) Electric Extended Range



Motia® Vista™ Rectangular Table with T-Foot *continued*

Specification Information

Step 1.

DV6GT A

Step 2. Edge

S. squared-edge A

Step 3. Depth

24 24" deep (23" surface size) A

30 30" deep (29" surface size) A

Step 4. Width

48 48" wide (46" surface size) A

54 54" wide (52" surface size) A

60 60" wide (58" surface size) A

66 66" wide (64" surface size) A

72 72" wide (70" surface size) A

Step 5. Surface Material

L laminate top/thermoplastic edge A

U laminate top/universal edge A

W veneer top/veneer edge A

Step 6. Top Thickness

04 1¼" thick A

08 1⅛" thick A

Step 7. Mechanism

D electric extended range A

E electric standard range A

Step 8. Leg Location

For 48" wide (46" surface size) (48) with electric extended range (D) or electric standard range (E)

1 legs outbound (no surface mounted storage) A

For 54" wide (52" surface size) (54), 60" wide (58" surface size) (60), 66" wide (64" surface size) (66), or 72" wide (70" surface size) (72) with electric standard range (E)

1 legs outbound (no surface mounted storage) A

2 legs inbound (for under surface storage on both ends) A

3 legs inbound (for under surface storage on left or right end) A

For 54" wide (52" surface size) (54), 60" wide (58" surface size) (60), 66" wide (64" surface size) (66), or 72" wide (70" surface size) (72) with electric extended range (D)

1 legs outbound (no surface mounted storage) A

Prices for Steps 1-8.

		L04D1	L04E1	L04E2	L04E3	L08D1	L08E1
DV6GTS.	24 48	\$2354	2181	—	—	2409	2236
	54	\$2418	2245	2245	2245	2473	2300
	60	\$2460	2287	2287	2287	2515	2342
	66	\$2518	2345	2345	2345	2573	2400
	72	\$2574	2401	2401	2401	2629	2456
	30 48	\$2366	2193	—	—	2421	2248
	54	\$2444	2271	2271	2271	2499	2326
	60	\$2493	2320	2320	2320	2548	2375
	66	\$2568	2395	2395	2395	2623	2450
	72	\$2640	2467	2467	2467	2695	2522

		L08E2	L08E3	U04D1	U04E1	U04E2	U04E3
DV6GTS.	24 48	—	—	\$2354	2181	—	—
	54	\$2300	2300	2418	2245	2245	2245
	60	\$2342	2342	2460	2287	2287	2287
	66	\$2400	2400	2518	2345	2345	2345
	72	\$2456	2456	2574	2401	2401	2401
	30 48	—	—	\$2366	2193	—	—
	54	\$2326	2326	2444	2271	2271	2271
	60	\$2375	2375	2493	2320	2320	2320
	66	\$2450	2450	2568	2395	2395	2395
	72	\$2522	2522	2640	2467	2467	2467

		U08D1	U08E1	U08E2	U08E3	W04D1	W04E1
DV6GTS.	24 48	\$2409	2236	—	—	2706	2533
	54	\$2473	2300	2300	2300	2814	2641
	60	\$2515	2342	2342	2342	2905	2732
	66	\$2573	2400	2400	2400	3014	2841
	72	\$2629	2456	2456	2456	3103	2930
	30 48	\$2421	2248	—	—	2805	2632
	54	\$2499	2326	2326	2326	2937	2764
	60	\$2548	2375	2375	2375	3057	2884
	66	\$2623	2450	2450	2450	3196	3023
	72	\$2695	2522	2522	2522	3312	3139

Motia® Vista™ Rectangular Table
with T-Foot *continued*

Motia® Adjustable Height Tables

		W04E2	W04E3	W08D1	W08E1	W08E2	W08E3
DV6GTS. 24 48		—	—	\$2761	2588	—	—
54		\$2641	2641	2869	2696	2696	2696
60		\$2732	2732	2960	2787	2787	2787
66		\$2841	2841	3069	2896	2896	2896
72		\$2930	2930	3158	2985	2985	2985
30 48		—	—	\$2860	2687	—	—
54		\$2764	2764	2992	2819	2819	2819
60		\$2884	2884	3112	2939	2939	2939
66		\$3023	3023	3251	3078	3078	3078
72		\$3139	3139	3367	3194	3194	3194

Step 9. Switch Option

STS	simple up/down - touch switch <input type="checkbox"/>	+\$0
SUD	simple up down - paddle switch <input type="checkbox"/>	+\$50
SMT	no switch - LO100 <input type="checkbox"/>	+\$0

Step 10.

Top Finish

For laminate top/thermoplastic edge (L) or laminate top/universal edge (U)

8Q	folkstone grey <input type="checkbox"/>	+\$0
91	white <input type="checkbox"/>	+\$0
98	studio white <input type="checkbox"/>	+\$0
CL	cool grey neutral <input type="checkbox"/>	+\$0
HF	inner tone light <input type="checkbox"/>	+\$0
HM	natural maple <input type="checkbox"/>	+\$0
HP	light anigre <input type="checkbox"/>	+\$0
HT	inner tone <input type="checkbox"/>	+\$0
HX	aged cherry <input type="checkbox"/>	+\$0
HY	walnut on cherry <input type="checkbox"/>	+\$0
LA	light ash <input type="checkbox"/>	+\$0
LBA	clear on ash <input type="checkbox"/>	+\$0
LBB	oak on ash <input type="checkbox"/>	+\$0
LBC	walnut on ash <input type="checkbox"/>	+\$0
LBD	dark brown walnut <input type="checkbox"/>	+\$0
LBF	neutral twill <input type="checkbox"/>	+\$0
LBG	sarum twill <input type="checkbox"/>	+\$0
LBH	earthen twill <input type="checkbox"/>	+\$0
LBJ	graphite twill <input type="checkbox"/>	+\$0
LBM	crisp linen <input type="checkbox"/>	+\$0
LBN	classic linen <input type="checkbox"/>	+\$0
LBP	casual linen <input type="checkbox"/>	+\$0
LBQ	white twill <input type="checkbox"/>	+\$0
LT	light tone <input type="checkbox"/>	+\$0
LU	soft white <input type="checkbox"/>	+\$0
MT	medium tone <input type="checkbox"/>	+\$0
WL	sandstone <input type="checkbox"/>	+\$0
WN	warm grey neutral <input type="checkbox"/>	+\$0

Top/Edge Finish

For veneer top/veneer edge (W)

2U	light brown walnut <input type="checkbox"/>	+\$85
40	dark brown walnut <input type="checkbox"/>	+\$85
ED	aged cherry <input type="checkbox"/>	+\$85
EK	medium red walnut <input type="checkbox"/>	+\$85
ET	clear on ash <input type="checkbox"/>	+\$85
EU	oak on ash <input type="checkbox"/>	+\$85
EV	walnut on ash <input type="checkbox"/>	+\$85
EW	medium matte walnut <input type="checkbox"/>	+\$85
UL	natural maple <input type="checkbox"/>	+\$85
UX	walnut on cherry <input type="checkbox"/>	+\$85

Motia® Vista™ Rectangular Table with T-Foot *continued*

Step 11. Edge Finish

For laminate top/thermoplastic edge (L)

8Q	folkstone grey <input type="checkbox"/>	+\$0
91	white <input type="checkbox"/>	+\$0
98	studio white <input type="checkbox"/>	+\$0
BU	black umber <input type="checkbox"/>	+\$0
CL	cool grey neutral <input type="checkbox"/>	+\$0
HF	inner tone light <input type="checkbox"/>	+\$0
HM	natural maple <input type="checkbox"/>	+\$0
HP	light anigre <input type="checkbox"/>	+\$0
HT	inner tone <input type="checkbox"/>	+\$0
HX	aged cherry <input type="checkbox"/>	+\$0
HY	walnut on cherry <input type="checkbox"/>	+\$0
LA	light ash <input type="checkbox"/>	+\$0
LBA	clear on ash <input type="checkbox"/>	+\$0
LBB	oak on ash <input type="checkbox"/>	+\$0
LBC	walnut on ash <input type="checkbox"/>	+\$0
LBD	dark brown walnut <input type="checkbox"/>	+\$0
LBF	neutral twill <input type="checkbox"/>	+\$0
LBG	sarum twill <input type="checkbox"/>	+\$0
LBH	earthen twill <input type="checkbox"/>	+\$0
LBJ	graphite twill <input type="checkbox"/>	+\$0
LBK	pewter mesh <input type="checkbox"/>	+\$0
LBL	steel mesh <input type="checkbox"/>	+\$0
LBM	crisp linen <input type="checkbox"/>	+\$0
LBN	classic linen <input type="checkbox"/>	+\$0
LBP	casual linen <input type="checkbox"/>	+\$0
LBQ	white twill <input type="checkbox"/>	+\$0
LBU	medium matte walnut <input type="checkbox"/>	+\$0
LU	soft white <input type="checkbox"/>	+\$0
MT	medium tone <input type="checkbox"/>	+\$0
WL	sandstone <input type="checkbox"/>	+\$0
WN	warm grey neutral <input type="checkbox"/>	+\$0

For laminate top/universal edge (U)

PLY	plywood edge <input type="checkbox"/>	+\$50
------------	---------------------------------------	-------

Step 12. Base Finish

Smooth Paint

8Q	folkstone grey <input type="checkbox"/>	+\$0
91	white <input type="checkbox"/>	+\$0
98	studio white <input type="checkbox"/>	+\$0
CL	cool grey neutral <input type="checkbox"/>	+\$0
WL	sandstone <input type="checkbox"/>	+\$0
WN	warm grey neutral <input type="checkbox"/>	+\$0

Metallic Paint

CN	metallic champagne <input type="checkbox"/>	+\$0
EH	metallic bronze <input type="checkbox"/>	+\$0
MS	metallic silver <input type="checkbox"/>	+\$0

Sand Texture Paint

BK	black <input type="checkbox"/>	+\$0
G1	graphite <input type="checkbox"/>	+\$0

Step 13. Cable Trough

For 24" deep (23" surface size) (24), legs outbound (no surface mounted storage) (1) AND legs inbound (for under surface storage on left or right end) (3)

2	hinged cable trough for 24" deep surface <input type="checkbox"/>	+\$275
N	no cable trough <input type="checkbox"/>	+\$0

For 30" deep (29" surface size) (30) with 48" wide (46" surface size) (48), 54" wide (52" surface size) (54), 60" wide (58" surface size) (60), or 66" wide (64" surface size) (66), or 72" wide (70" surface size) (72)

3	hinged cable trough for 30" deep surface <input type="checkbox"/>	+\$296
N	no cable trough <input type="checkbox"/>	+\$0

For 24" deep (23" surface size) (24) with 54" wide (52" surface size) (54) with legs inbound (for under surface storage on both ends) (2)

N	no cable trough <input type="checkbox"/>	+\$0
----------	--	------

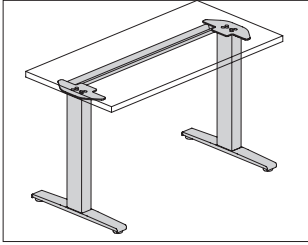
Step 14. Power Access Cutout

CC	center cutout for Logic Mini - <input type="checkbox"/>	+\$55
LC	left cutout for Logic Mini - Y1414 and Y1412 <input type="checkbox"/>	+\$55
NC	no cutout <input type="checkbox"/>	+\$0
RC	right cutout for Logic Mini - Y1414 and Y1412 <input type="checkbox"/>	+\$55

Step 15. Glides

57	glides <input type="checkbox"/>	+\$0
-----------	---------------------------------	------

Height Adjustable Base Kit with DV7AT. T-Foot



Motia® Sit to Stand Table Bases

Product Information

Description

This independent 2-leg kit converts existing work surfaces into height adjustable tables. Legs come in 2 depths and multiple widths with a choice of switch type or with no switch to accommodate adding Live Platform™ to the table. Glides have 1/2" of leveling range. Shipped knocked down. Product is UL Recognized.

Notes

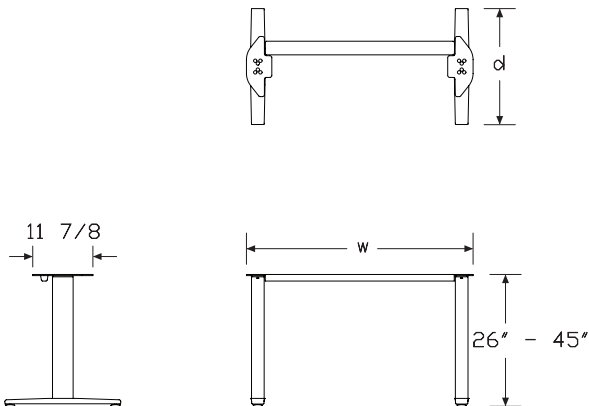
With standard 1 1/8" thick work surface, floor to top-of-surface height adjustment ranges are 27"-46" for the electric standard range (E) option, and 22"-48" for the electric extended range (D) option.

Sizes listed for foot depth and base width are nominal. Depth of foot is reduced 1" for cord management when paired with equal depth work surface. Width of base is reduced 2" to minimize possible pinch point hazards when paired with equal width work surface.

Work surface stiffener included.

See Motia® Sit-to-Stand Tables planning guide for proper installation of leg kit and design information.

Dimensions



Specification Information

Step 1.

DV7AT. [A]

Step 2. Depth

30 30" deep (29" surface size) [A]

Step 3. Width

48 48" wide (46" surface size) [A]

54 54" wide (52" surface size) [A]

60 60" wide (58" surface size) [A]

66 66" wide (64" surface size) [A]

72 72" wide (70" surface size) [A]

Step 4. Mechanism

E electric standard range [A]

D electric extended range [A]

Step 5. Leg Location

1 legs outbound (no surface mounted storage) [A]

Prices for Steps 1-5.

		E1	D1
DV7AT. 30 48		\$1681	1870
	54	\$1697	1881
	60	\$1713	1891
	66	\$1728	1902
	72	\$1745	1913

Step 6. Switch Option

STS	simple up/down touch switch [A]	+\$0
SUD	simple up down - paddle switch [A]	+\$50
SRM	digital read out with memory [A]	+\$160
SMT	no switch - LO100 [A]	+\$0

Step 7. Leg/Foot Finish

Metallic Paint

CN	metallic champagne leg with metallic champagne foot [A]	+\$0
MS	metallic silver leg with metallic silver foot [A]	+\$0

Sand Texture Paint

BK	black leg with black foot [A]	+\$0
G1	graphite leg with graphite foot [A]	+\$0

Height Adjustable Base Kit with T-Foot *continued*

Smooth Paint

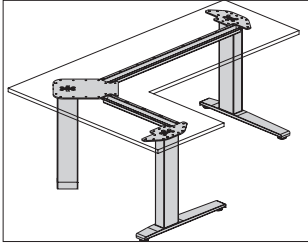
8Q	folkstone grey leg with folkstone grey foot <input type="checkbox"/>	+\$0
91	white leg with white foot <input type="checkbox"/>	+\$0
98	studio white leg with studio white foot <input type="checkbox"/>	+\$0
WL	sandstone leg with sandstone foot <input type="checkbox"/>	+\$0
WN	warm grey neutral leg with warm grey neutral foot <input type="checkbox"/>	+\$0

Step 8. Glides

57	glides <input type="checkbox"/>	+\$0
-----------	---------------------------------	------

C-Foot 3 Leg Base Kit

DV7FC.



Motia® Sit-to-Stand Table Bases

Product Information

Description

This independent 3-leg kit converts existing work surfaces into height adjustable tables. Legs come in 2 depths and multiple widths with a simple up/down touch switch. Glides have 1/2" of leveling range. Shipped knocked down. Product is UL Recognized.

Notes

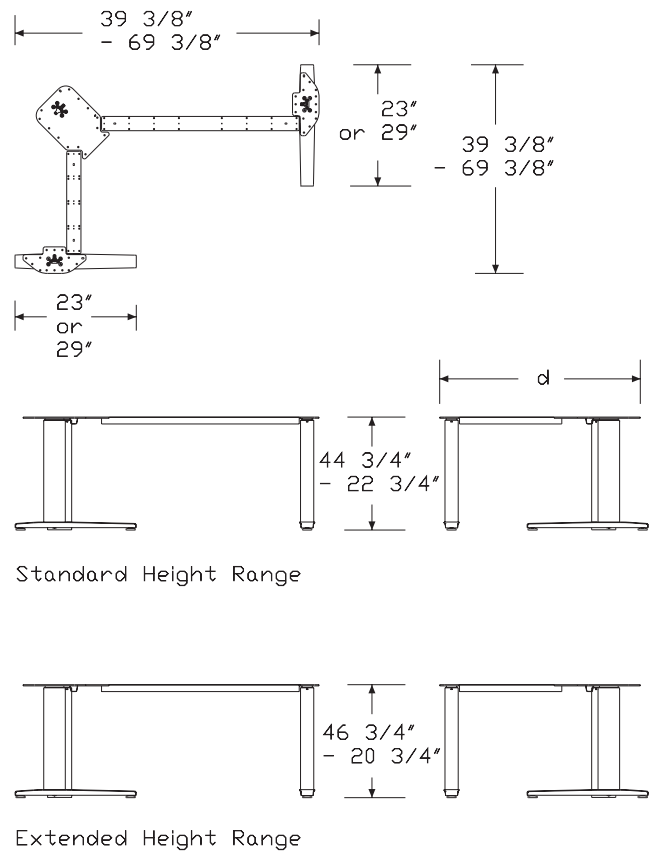
With standard 1 1/8" thick work surface, floor to top-of-surface height adjustment ranges are 27"-46" for the electric standard range (E) option, and 22"-48" for the electric extended range (D) option.

Sizes listed for foot depth and base width are nominal. Depth of foot is reduced 1" for cord management when paired with equal depth work surface. Width of base is reduced 2" to minimize possible pinch point hazards when paired with equal width work surface.

Work surface stiffener included.

See Motia™ Sit-to-Stand Tables planning guide for proper installation of leg kit and design information.

Dimensions



C-Foot 3 Leg Base Kit *continued*

Specification Information

Step 1.

DV7FC. A

Step 2. Depth

24 24" deep (23" surface size) A

30 30" deep (29" surface size) A

Step 3. Width

4260 42" wide left x 60" wide right (40" x 58" surface size) A

4272 42" wide left x 72" wide right (40" x 70" surface size) A

4860 48" wide left x 60" wide right (46" x 58" surface size) A

4872 48" wide left x 72" wide right (46" x 70" surface size) A

5454 54" wide left x 54" wide right (52" x 52" surface size) A

6060 60" wide left x 60" wide right (58" x 58" surface size) A

Step 4. Mechanism

E electric standard range A

D electric extended range A

Prices for Steps 1-4.

	E	D
DV7FC. 24 4260	\$2782	3091
4272	\$2782	3091
4860	\$2782	3091
4872	\$2782	3091
5454	\$2782	3091
6060	\$2782	3091
30 4260	\$2782	3091
4272	\$2782	3091
4860	\$2782	3091
4872	\$2782	3091
5454	\$2782	3091
6060	\$2782	3091

Step 5. Switch Option

STS simple up/down touch switch A +\$0

Step 6. Base Finish

Metallic Paint

CN metallic champagne A +\$0

MS metallic silver A +\$0

Sand Texture Paint

BK black A +\$0

G1 graphite A +\$0

Smooth Paint

8Q folkstone grey A +\$0

91 white A +\$0

98 studio white A +\$0

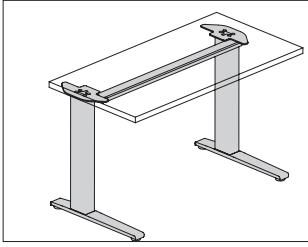
WL sandstone A +\$0

WN warm grey neutral A +\$0

Step 7. Glides

57 glides A +\$0

Height Adjustable Base Kit with DV7AC. C-Foot



Motia® Sit-to-Stand Table Bases

Product Information

Description

This independent 2-leg kit converts existing work surfaces into height adjustable tables. Legs come in 2 depths and multiple widths with a simple up/down touch switch. Glides have 1/2" of leveling range. Shipped knocked down. Product is UL Recognized.

Notes

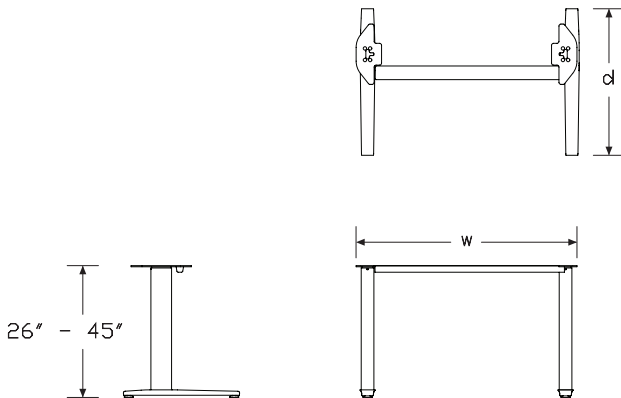
With standard 1 1/8" thick work surface, floor to top-of-surface height adjustment ranges are 27"-46" for the electric standard range (E) option, and 22"-48" for the electric extended range (D) option.

Sizes listed for foot depth and base width are nominal. Depth of foot is reduced 1" for cord management when paired with equal depth work surface. Width of base is reduced 2" to minimize possible pinch point hazards when paired with equal width work surface.

Work surface stiffener included.

See Motia™ Sit-to-Stand Tables planning guide for proper installation of leg kit and design information.

Dimensions



Specification Information

Step 1.

DV7AC. A

Step 2. Depth

24 24" deep (23" surface size) A
30 30" deep (29" surface size) A

Step 3. Width

48 48" wide (46" surface size) A
54 54" wide (52" surface size) A
60 60" wide (58" surface size) A
66 66" wide (64" surface size) A
72 72" wide (70" surface size) A

Step 4. Mechanism

E electric standard range A
D electric extended range A

Prices for Steps 1-4.

		E	D
DV7AC. 24	48	\$1682	1843
	54	\$1670	1850
	60	\$1681	1860
	66	\$1697	1875
	72	\$1713	1881
	30	\$1685	1870
	54	\$1702	1885
	60	\$1713	1891
	66	\$1728	1907
	72	\$1745	1917

Step 5. Switch Option

STS simple up/down touch switch A +\$0

Step 6. Leg/Foot Finish

Metallic Paint

CN metallic champagne leg with metallic champagne foot A +\$0
MS metallic silver leg with metallic silver foot A +\$0

Sand Texture Paint

BK black leg with black foot A +\$0
G1 graphite leg with graphite foot A +\$0

Height Adjustable Base Kit with C-Foot *continued*

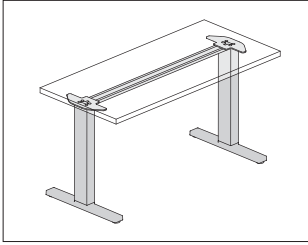
Smooth Paint

8Q	folkstone grey leg with folkstone grey foot <input type="checkbox"/>	+\$0
91	white leg with white foot <input type="checkbox"/>	+\$0
98	studio white leg with studio white foot <input type="checkbox"/>	+\$0
WL	sandstone leg with sandstone foot <input type="checkbox"/>	+\$0
WN	warm grey neutral leg with warm grey neutral foot <input type="checkbox"/>	+\$0

Step 7. Glides

57	glides <input type="checkbox"/>	+\$0
-----------	---------------------------------	------

Motia® Vista™ Adjustable Base Kit DV7GT. with T-Foot



Motia® Sit to Stand Table Bases

Product Information

Description

This independent 2-leg kit converts existing work surfaces into height adjustable tables. Legs come in 2 depths and multiple widths with a choice of switch type. Glides have 1/2" of leveling range. Kit includes work surface stiffener. Shipped knocked down. Product is UL Recognized.

Notes

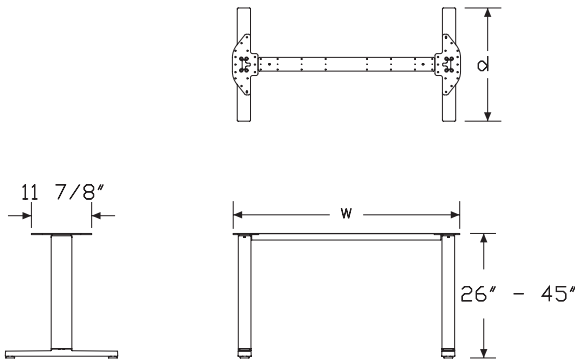
With standard 1 1/8" thick work surface, floor to top-of-surface height adjustment ranges are 27"-46" for the electric standard range (E) option, and 22"-48" for the electric extended range (D) option.

Sizes listed for foot depth and base width are nominal. Depth of foot is reduced 1" for cord management when paired with equal depth work surface. Width of base is reduced 2" to minimize possible pinch point hazards when paired with equal width work surface.

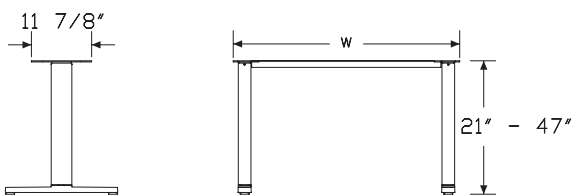
To accommodate adding Live Platform™ to the table, specify no switch - LO100 (SMT) option.

For proper installation of leg kit and design information, see planning guide.

Dimensions



(E) Electric Standard Range



(D) Electric Extended Range

Specification Information

Step 1.

DV7GT. A

Step 2. Depth

24	24" deep (23" surface size)	<input type="checkbox"/> A
30	30" deep (29" surface size)	<input type="checkbox"/> A

Step 3. Width

48	48" wide (46" surface size)	<input type="checkbox"/> A
54	54" wide (52" surface size)	<input type="checkbox"/> A
60	60" wide (58" surface size)	<input type="checkbox"/> A
66	66" wide (64" surface size)	<input type="checkbox"/> A
72	72" wide (70" surface size)	<input type="checkbox"/> A

Step 4. Mechanism

D	electric extended range	<input type="checkbox"/> A
E	electric standard range	<input type="checkbox"/> A

Prices for Steps 1-4.

	D	E
DV7GT. 24 48	\$2106	1933
54	\$2119	1946
60	\$2130	1957
66	\$2144	1971
72	\$2168	1995
30 48	\$2041	1868
54	\$2051	1878
60	\$2064	1891
66	\$2075	1902
72	\$2102	1929

Step 5. Switch Option

STS	simple up/down touch switch	<input type="checkbox"/> A	+\$0
SMT	no switch - LO100	<input type="checkbox"/> A	+\$0
SUD	simple up down - paddle switch	<input type="checkbox"/> A	+\$50
SRM	digital read out with memory	<input type="checkbox"/> A	+\$160

Step 6. Leg/Foot Finish

Smooth Paint

8Q	folkstone grey	<input type="checkbox"/> A	+\$0
91	white	<input type="checkbox"/> A	+\$0
98	studio white	<input type="checkbox"/> A	+\$0
CL	cool grey neutral	<input type="checkbox"/> A	+\$0
WL	sandstone	<input type="checkbox"/> A	+\$0
WN	warm grey neutral	<input type="checkbox"/> A	+\$0

Motia® Vista™ Adjustable Base Kit with T-Foot *continued*

Metallic Paint		
CN	metallic champagne <input type="checkbox"/>	+\$0
EH	metallic bronze <input type="checkbox"/>	+\$0
MS	metallic silver <input type="checkbox"/>	+\$0

Sand Texture Paint		
BK	black <input type="checkbox"/>	+\$0
G1	graphite <input type="checkbox"/>	+\$0

Step 7. Glides		
57	glides <input type="checkbox"/>	+\$0

Index by Product Name

Motia® Sit-to-Stand Tables	
C-Foot 3 Leg Base Kit	page(s) 20
Extended Corner Table with C-Foot	11
Height Adjustable Base Kit with C-Foot	22
Height Adjustable Base Kit with T-Foot	18
Motia® Vista™ Adjustable Base Kit with T-Foot	24
Motia® Vista™ Rectangular Table with T-Foot	14
Rectangular Table with C-Foot	5
Rectangular Table with T-Foot	8



Index by Product Number

DV6ACS Rectangular Table with C-Foot	page(s) 5
DV6ATS Rectangular Table with T-Foot	8
DV6ECS Extended Corner Table with C-Foot	11
DV6GTS Motia® Vista™ Rectangular Table with T-Foot	14
DV7AC Height Adjustable Base Kit with C-Foot	22
DV7AT Height Adjustable Base Kit with T-Foot	18
DV7FC C-Foot 3 Leg Base Kit	20
DV7GT Motia® Vista™ Adjustable Base Kit with T-Foot	24



20-Day or Less/Assigned Lead-Time Order Information

20-Day or Less and Assigned Lead-Time Programs

20-day or less and assigned lead-time products are designed for established Herman Miller dealers with pre-approved credit.

Products are distributed from multiple manufacturing facilities across the United States. All products and options not designated by an Assigned Lead-Time icon **A** will ship in 20 business days or less after being acknowledged by Herman Miller. Products and options designated by an **A** are on the assigned lead-time program and will ship in 20 days, less than 20 days, or more than 20 days from order acknowledgement.

Ordering Procedure

Please place orders through Order Manager. If this is not available to you, place orders through mail or fax. Verbal purchase orders will not be accepted.

Order Entry fax number for Passage®, 5000 Series, and Meridian® Filing and Storage: (616) 846 9236.

Order Entry fax number for all other products:
(616) 654 3085.

For more information, contact your Customer Care representative at:
(866) 854 3048 EXT 3400.

Shipments and Delivery

Per Herman Miller Terms and Conditions.

Changes and Cancellation

Per Herman Miller Terms and Conditions.



Vary Easy Program

Program Overview

Vary Easy is a program designed to help dealers specify standard products with a larger breadth of options. For example, depending on the type of product being specified, choices include additional size, finish, edge types, and cable management features. Vary Easy 3D, specIT, and third-party text-based specification packages support the Vary Easy program. Vary Easy 3D enables designers to create a 3D image, CAD symbols, and a price book page. A Vary Easy product number is assigned for each product as the user selects specific options. Once the product is completely specified, the order can be submitted via Kiosk's Order Manager or a dealer's business system.

Accessing and Specifying Vary Easy

To view the full product vocabulary, go to the Vary Easy Product Offering on Kiosk. To specify Vary Easy, go to the Vary Easy 3D website on Kiosk, specIT, or your third-party text-based specification package.

Once you've made your product line selection, continue to follow through each option and enter the specific options that represent the product you need. When the product is fully specified, Vary Easy will generate an orderable product number and instantly calculate a price.

Note: Failure to completely specify a product will cause a delay in order acknowledgements. Be sure to make a selection for all options offered.

The acknowledgement process for Vary Easy products is the same as for any standard order. Vary Easy products ship with a standardized lead time and are competitively priced.

For more information, contact your Customer Care Line at (866) 854 3048 EXT 3400.



Stain-to-Match Program

Stain-to-Match Program

Program Overview

The Stain-to-Match program gives you the option of using veneer finishes that are not listed in the standard offering. The program allows Herman Miller to match a customer's existing recut or natural veneer, or create a new finish that is unique to an installation.

Specific information on approval, ordering, pricing, and warranty for the Stain-to-Match program is listed below. Questions and requests for assistance may be directed to Herman Miller Options at:

(800) 654 3910

Ordering Products with Stain-to-Match Veneers

1. Fill out the Options Stain-to-Match Request Form and send along with a color sample (2" x 3" minimum) to the Herman Miller Options Applications Team at the address provided on the form. The form can be found on Omni.
2. Within 7-10 working days, Herman Miller Options will send a sample of the color-matched stain on Herman Miller veneer to the requester for the customer's signed approval.
3. If the sample meets the customer's approval, sign the reverse side of the sample, scan and email the approval to:
options@hermanmiller.com.
4. After the stain has been approved, a formal quotation with special number and pricing can be provided, or the product can be specified through the Vary Easy program, if available. Work with the Options team on final product needs and how to specify.
5. A purchase order can then be placed.

Stain-to-Match Warranty

Herman Miller warrants its products to be free from defects in craftsmanship from the date of delivery for the applicable warranty period. Herman Miller is responsible for the physical properties of the veneers available through the Stain-to-Match program, which include:

- STA: Stain-to-Match on Recut Ash
- STB: Stain-to-Match on Beech
- STC: Stain-to-Match on Cherry
- STD: Stain-to-Match on Oak
- STK: Stain-to-Match on Reltech Anigre (Geiger)
- STM: Stain-to-Match on Recut Mahogany
- STP: Stain-to-Match on Maple
- STU: Stain-to-Match on Walnut (Geiger)

See your specification tool for product specific finish offering limitations.



For more information about our products and services or to see a list of dealers, please visit us at HermanMiller.com or call (800) 851 1196.

© 2020 Herman Miller, Inc., Zeeland, Michigan

Distribution Rights

Working together since 1956, Herman Miller and Vitra are the authentic sources of designs by Charles and Ray Eames, Alexander Girard, and George Nelson. All the designs shown in this book are protected by law. Herman Miller has obtained all rights to make and sell these designs. Also, Herman Miller holds exclusive worldwide manufacturing and distribution rights for these products with the following exceptions:

Charles and Ray Eames, George Nelson, and Alexander Girard—Worldwide distribution rights for furniture in all areas except Europe and the Middle East. For those areas, please contact Vitra.

Isamu Noguchi—Worldwide distribution rights for the Noguchi Rudder Table. Distribution rights for the Noguchi Table in North America and Central America only. For all other areas, please contact Vitra.

Magis—Exclusive distribution rights in the US and Canada. For all other areas, please contact Magis.

Mattiazzi—Exclusive distribution rights in the US and Canada. For all other areas, please contact Mattiazzi.

® **HermanMiller**, ●, Action Office, Aeron, Aside, Canvas Office Landscape, Capex, Celle, Co/Struc, Eames, Embody, Ethospace, Exclave, Fine-Tune, FlexFront, Formcoat, Ground Cloth, Herman Miller Healthcare, Layout Studio, Maharam, Meridian, Mirra, Motia, Pellicle, Perspectives, Plex, PostureFit, Resolve, Sayl, Setu, Thrive, Tu, Y-Tower, and Z-Axis are among the registered trademarks of Herman Miller, Inc., and its owned subsidiaries.

™ AireWeave, Bubbletack, Cellular Suspension, Compass, Connect, Cosm, DOT, Durawrap, Everywhere, Flex-Edge, Headway, Hopsak 2, Intent, Iota, Keyless Entry, Latitude, Lino, Lyris 2, Mora, Multiscrim, Nelson, Nevi, Pedastools, Renew, Stackable, Swoop, TriFlex, Twist, Valor, Verus and Vista are among the trademarks of Herman Miller, Inc., and its owned subsidiaries.

§Chemsurf® is a registered trademark of Wilsonart International.

Corian® is a registered trademark of E.I. du Pont de Nemours and Company Corporation.

FLEXNET™ is a trademark of Milliken & Company.

Floor Saver Glide® is a registered trademark of Carpin Manufacturing, Inc.

Geiger® is a registered trademark of Geiger International.

Microsoft® and Natural® Keyboard are registered trademarks of Microsoft Corporation.

Place Textiles® is a registered trademark of Place Textiles.