

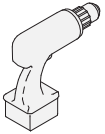
HermanMiller

Motia™ Sit-to-Stand Table Leg Disassembly Instructions



How to disassemble your table leg.

Tools Required



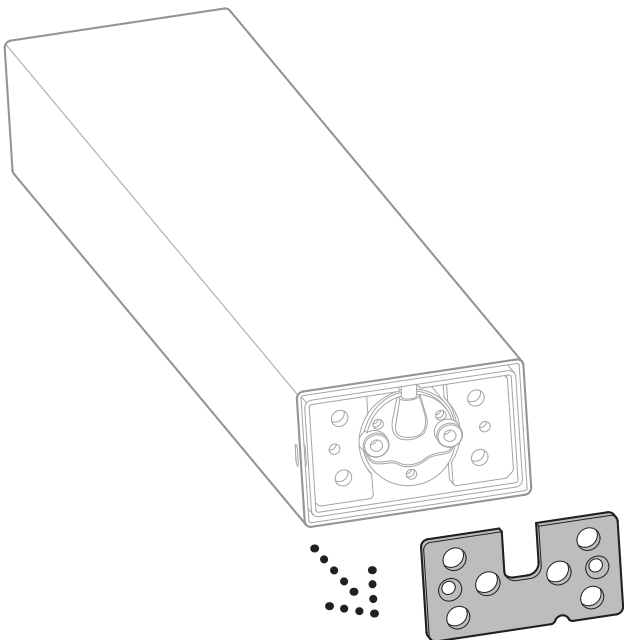
Power Driver



Phillips Bit

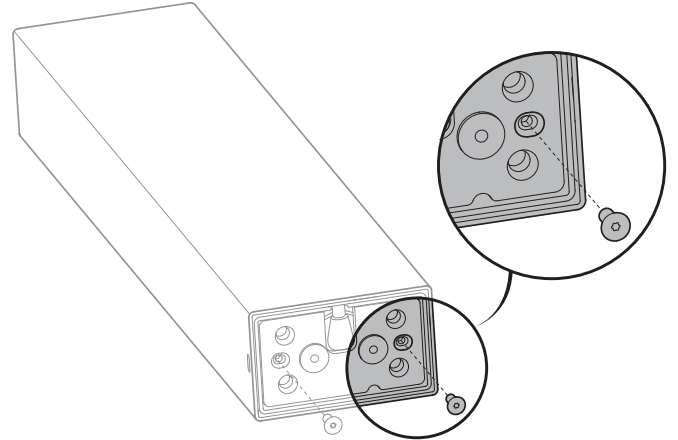
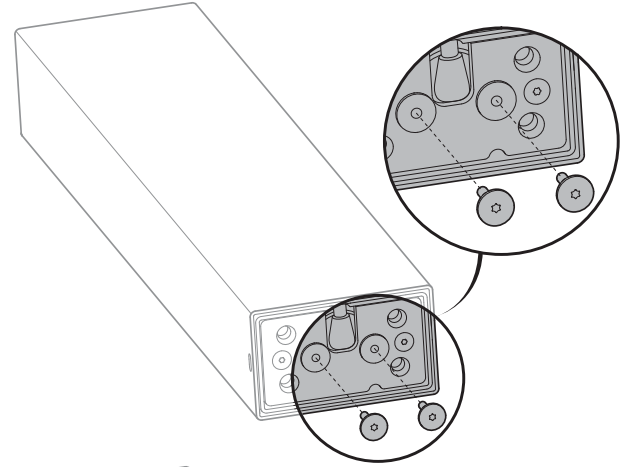
Step 2

2.1 Remove the actuator palte from the leg.



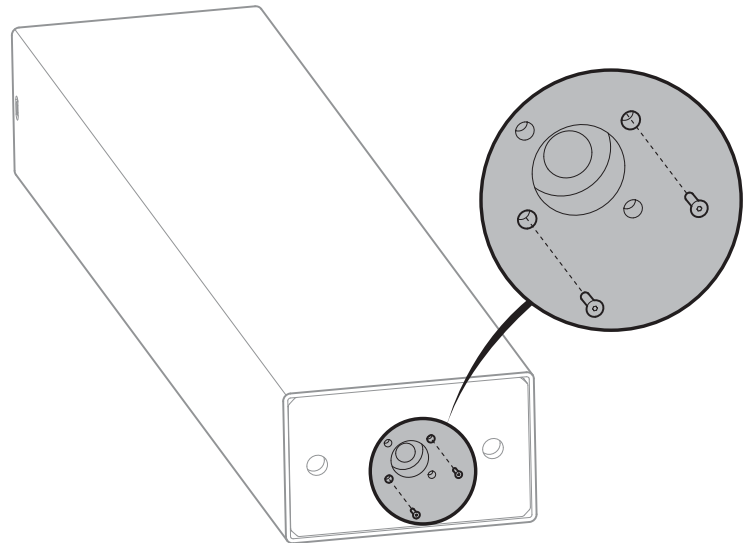
Step 1

1.1 Remove the screws using power driver.



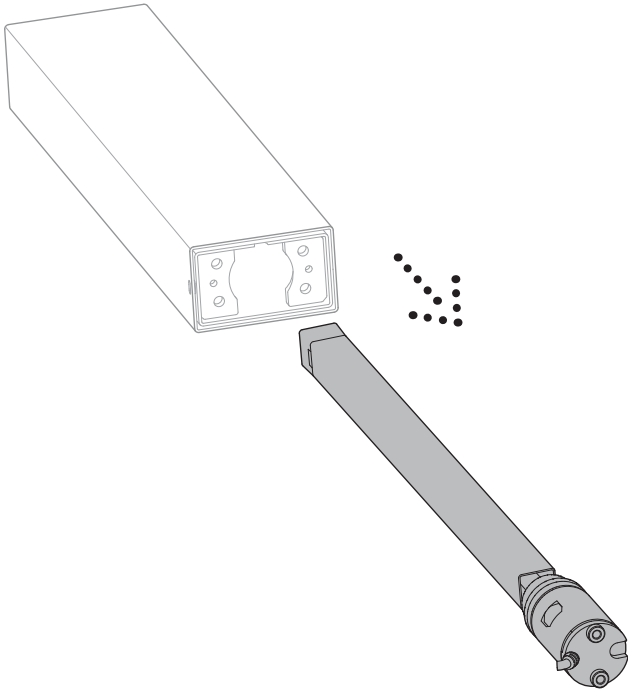
Step 3

3.1 Turn around the leg and take off the bottom screws using Phillips #2.



Step 4

4.1 Turn around the leg and remove the slim drive from the leg.



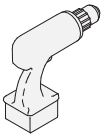
HermanMiller

Motia™ Sit-to-Stand Table Double Stage Leg Disassembly Instructions

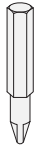


How to disassemble your table leg.

Tools Required



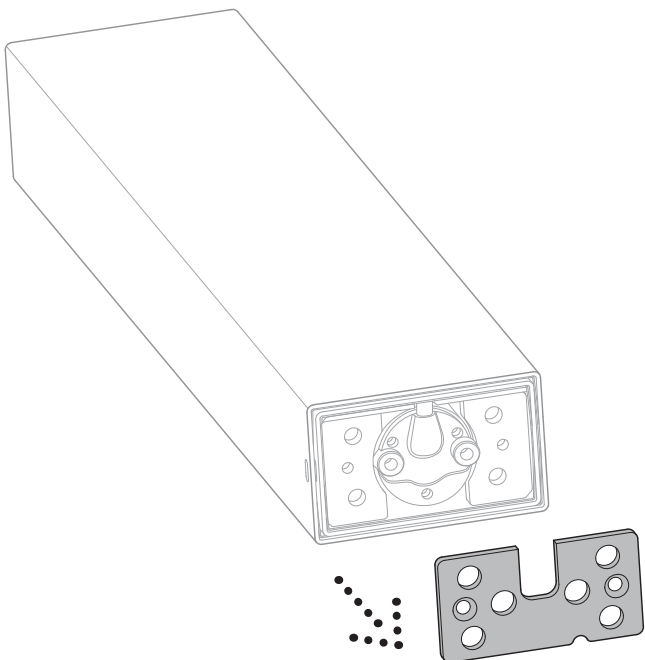
Power Driver



Phillips Bit

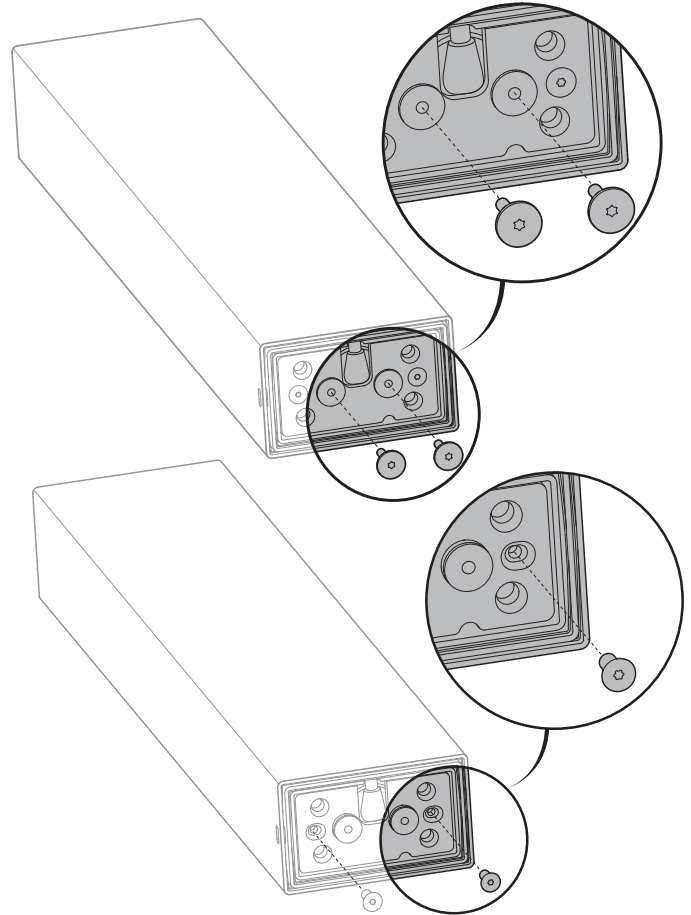
Step 2

2.1 Remove the actuator palte from the leg.



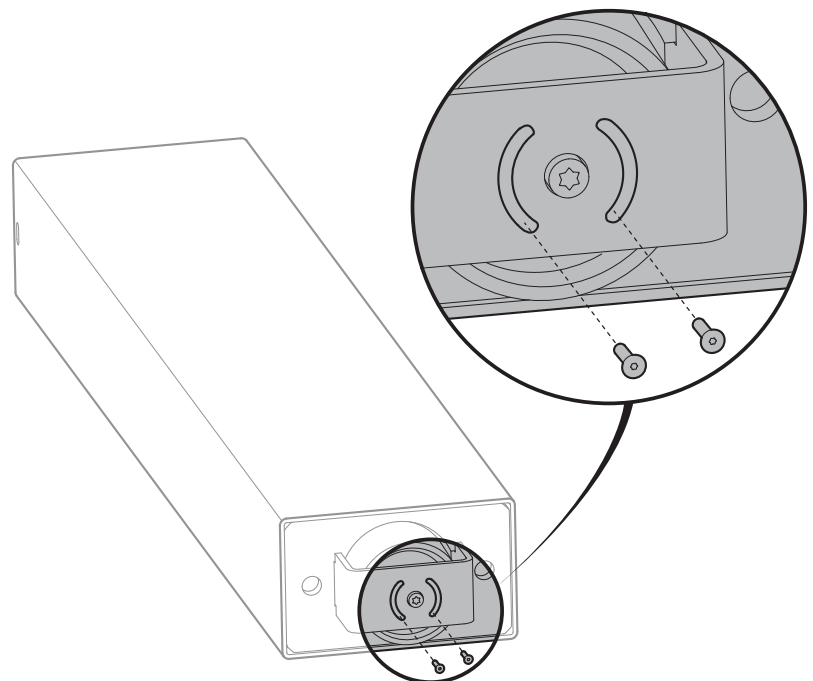
Step 1

1.1 Remove the screws using power driver.



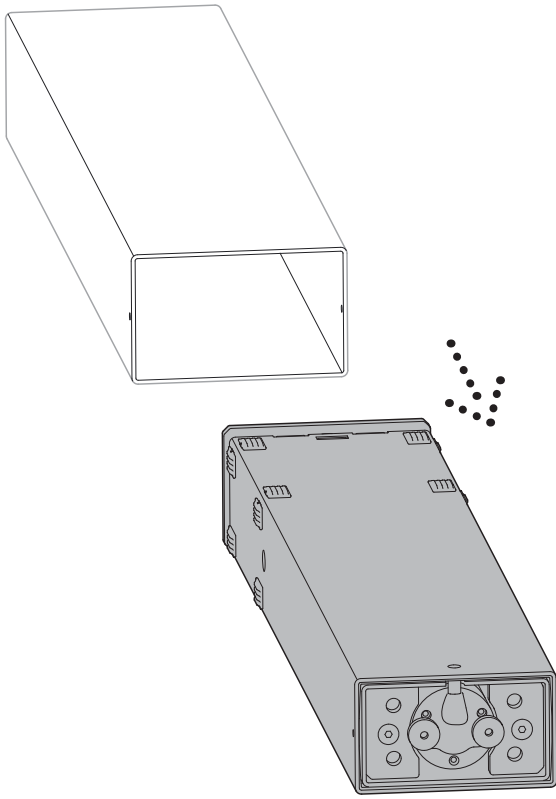
Step 3

3.1 Turn around the leg and take off the bottom screws using Phillips #2.



Step 4

4.1 Remove the lower leg.



Step 5

5.1 Remove the slim drive from the leg.

