



Prices effective September 3, 2019

Published November 2019

HermanMiller Collection

Introduction	page 2
HermanMiller Collection	
Seating	3
Side and Stacking Chairs	5
Lounge Seating	105
Stools	229
Benches	272
Work Chairs	290
Sofas	311
Desks and Tables	431
Desks	433
Tables	437
Occasional Tables	486
Storage	555
Accessories	649
Nelson Bubble Lamps	677
Outdoor Furniture	709
Seating	711
Tables	733
Indices	743
By Name	743
By Number	749
Appendices	
20-Day or Less/Assigned Lead-Time Order Information	
Stain-to-Match Program	
Casters and Glides	
Customer's Own Material/Customer's Own Leather Order Information-Seating	
Proprietary Textiles Application Chart-Collection Seating, HermanMiller	
Proprietary Textiles Application Chart-Collection Seating, Geiger	
Proprietary Textile Colors-Collection Seating	
Maharam Application Chart-Collection Seating, HermanMiller	
Maharam Application Chart-Collection Seating, Geiger	
Maharam Textile Colors-Collection Seating	
For the latest materials information, refer to the Materials pages on HermanMiller.com.	

Introduction

A Note on the Organization of This Book

There are a few signals that will help you understand the organization of this book. Once you know them, you should be able to find your way around easily.

Like a newspaper, this book is formatted with columns of text and illustrations that run vertically.

Information wraps from one column to the next and continues for as many pages as it needs to.

Black bars are clues.

A black bar at the top of a page signals the start of information about a product.

This information is divided into two sections, each signaled by a black bar. Product Information includes a description, additional notes, and dimensional drawings. Specification Information, which always begins at the top of a column, includes a series of steps. Each step represents a decision you need to make in order to complete your product number. Steps must be followed sequentially. The number of pages needed to complete information on a product varies; some will be complete in one page; others may fill three or four pages. Just continue going through the steps until you run into the next product, signaled by the black bar at the top of the page.

Black tabs running along the outside edge of the page help you locate what section you are in or what section you want to go to. You can thumb forwards or backwards to find a section; tabs and text appear on both sides of the page.

The additional pages in the back of the book include the appendices and indices. They are signaled by a long black bar running along the outside edge of the page.

The index is presented two ways.

The first index is in alphabetical order by product name. It can be helpful if you are new to the products and numbering scheme or if you are looking for a type of product, such as work chair or round table.

The second index is by product number. It lists, in alphanumeric order, the base product number, typically a five-digit number.

General Information

This book is effective September 3, 2019, subject to change without notice. Products may be purchased from authorized Herman Miller dealers who will quote prices upon request. For more information about our products and services or to see a list of dealers, visit www.HermanMiller.com.


All prices are list prices. Additional services, such as planning services, design, storage, and installation, are not included and must be added to these prices when the additional services are requested.

Illustrations, specifications, and prices are based on the latest information at the time of publication. The right is reserved to make changes at any time without notice in prices, fabrics, finishes, materials, specifications, and models, and also to discontinue models and finishes.

Dimensions shown in the drawings are engineering drawing dimensions rounded up to the nearest $\frac{1}{8}$ ". Product is shipped set up or knocked down. Products that include "Shipped knocked down" in the description require some assembly. If this statement does not appear in the description, the product is shipped assembled.

Service problems are normally handled by a Herman Miller authorized dealer. Where this cannot be accomplished on a local level, service problems should be referred to the Customer Care Representative for your region, Herman Miller, Inc., Zeeland, Michigan 49464.

20-Day or Less/Assigned Lead-Time Shipments

All products and options in this price book not designated by an Assigned Program icon  will ship in **20 business days or less** after being acknowledged by Herman Miller.

Products and options designated by an  are on the assigned lead-time program and may ship in 20 days, less than 20 days, or more than 20 days from order acknowledgement.

Side & Stacking Chairs

Lounge Seating

Stools

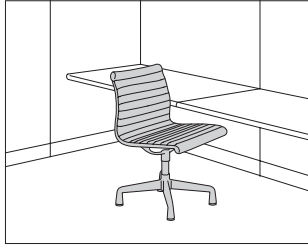
Benches

Work Chairs

Sofas

Eames® Aluminum Group Side Chair

EA306
EA308



Product Information

Description

This low-back chair has a lightweight aluminum frame with suspended upholstery. It has a 4-star base with 1/2" (GD) glides for hard floors or carpet and fixed seat height. The chair is available with or without a swivel mechanism.

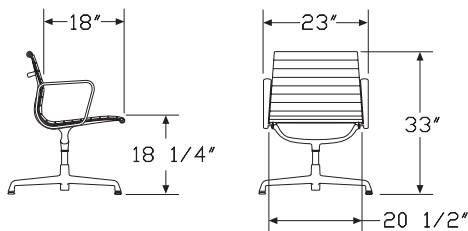
Notes

Chair is tested and warranted for use by persons 300 pounds and under. When chair is specified with Cygnus™ mesh, it meets CAL 133 requirements.

For description of glide, see Casters and Glides in Appendices.

Customer's Own Material (COM) requires 1 1/3 yards. Customer's Own Leather (COL) requires 45 square feet. See Order Information in Appendices.

Dimensions



Specification Information

Step 1.

EA30 A

Step 2. Arms

6 no arms

8 arms

Step 3. Swivel

S swivel base

F fixed base, no swivel

Prices for Steps 1-3.

EA306 S	\$1391
F	\$1476

EA308 S	\$1813
F	\$1897

Step 4. Base/Frame Finish

L polished aluminum +\$0

BK black A +\$87

91 white A +\$87

EP eggplant A +\$87

Eames® Aluminum Group Side Chair *continued*

Herman Miller Collection—Side & Stacking Chairs

Step 5. Fabric	
Price Category 1	+\$0
Price Category 2	+\$50
Price Category 3	+\$93
Price Category 4	+\$143
Price Category (Geiger) 4	+\$143
Price Category 5	+\$157
Price Category (Geiger) 5	+\$157
Price Category 6	+\$224
Price Category (Geiger) 6	+\$205
Price Category 7 A	+\$186
Price Category (Geiger) 7	+\$186
Price Category 8	+\$364
Price Category 9	+\$609
Price Category (Geiger) 10	+\$689
Price Category 10M	+\$867
Price Category 11	+\$792
Price Category B	+\$39
Price Category C	+\$57
Price Category D	+\$75
Price Category E	+\$94
Price Category F	+\$122
Price Category G	+\$159
Price Category H	+\$193
Price Category I	+\$227
Price Category J	+\$261
Price Category K	+\$294
Price Category L	+\$328

Eames® Soft Pad Side Chair

EA406
EA408



Product Information

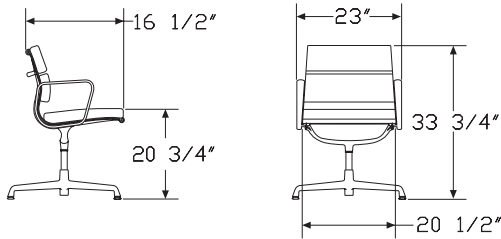
Description

This low-back chair has a lightweight aluminum frame and 2"-thick upholstered foam cushions. It has a 4-star base with 1/2" (GD) glides for hard floors or carpet and fixed seat height. The chair is available with or without a swivel mechanism.

Notes

Chair is tested and warranted for use by persons 300 pounds and under. For description of glides, see Casters and Glides in Appendices. Customer's Own Material (COM) requires 2 1/2 yards. Customer's Own Leather (COL) requires 45 square feet. See Order Information in Appendices.

Dimensions



Specification Information

Step 1.

EA40 A

Step 2. Arms

6 no arms A

8 arms A

Step 3. Swivel

S swivel base A

F fixed base, no swivel A

Prices for Steps 1-3.

EA406 S	\$2498
F	\$2582

EA408 S	\$2920
F	\$3004

Step 4. Base/Frame Finish

L polished aluminum <input type="checkbox"/> A	+\$0
BK black <input type="checkbox"/> A	+\$87
91 white <input type="checkbox"/> A	+\$87
EP eggplant <input type="checkbox"/> A	+\$87

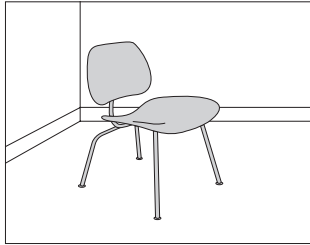
Eames® Soft Pad Side Chair *continued*

Herman Miller Collection—Side & Stacking Chairs

Step 5. Fabric	
Price Category (Geiger) 4	+\$242
Price Category 1	+\$0
Price Category 2	+\$73
Price Category 3	+\$157
Price Category (Geiger) 3	+\$157
Price Category 4	+\$242
Price Category 5	+\$291
Price Category (Geiger) 5	+\$291
Price Category 6	+\$309
Price Category (Geiger) 6	+\$339
Price Category 7	+\$297
Price Category (Geiger) 7	+\$297
Price Category 8	+\$364
Price Category 9	+\$592
Price Category (Geiger) 10	+\$669
Price Category 10M	+\$906
Price Category 11	+\$792
Price Category B	+\$71
Price Category C	+\$105
Price Category D	+\$140
Price Category E	+\$175
Price Category F	+\$230
Price Category G	+\$298
Price Category H	+\$363
Price Category I	+\$426
Price Category J	+\$490
Price Category K	+\$553
Price Category L	+\$617
Price Category M	+\$681
Price Category N	+\$744
Price Category P	+\$871

Eames® Molded Plywood Dining Chair Metal Base

DCM.



Product Information

Description

This 29½"-high molded plywood chair has natural face veneers, hardwood inner plies, and a 5-ply seat and back. It has a 4-leg base and self-leveling nylon glides. When upholstered, the back and seat shells have exposed veneer on their backside.

Notes

Red stain (11) shell finish is on birch veneer. This stain allows the wood grain to show through; inner plies are visible. Natural variations in wood grain may affect the appearance of this stain color.

Ebony (EN) shell finish is stain on ash veneer; inner plies are not as visible.

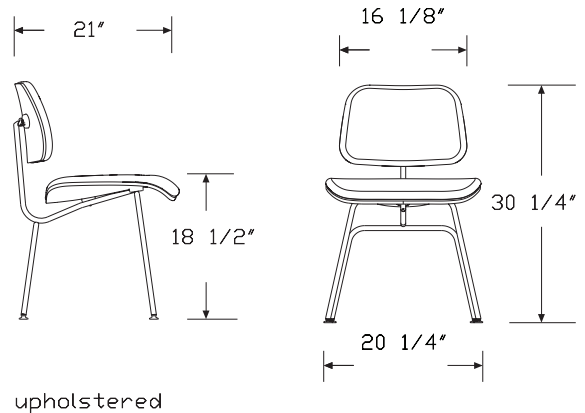
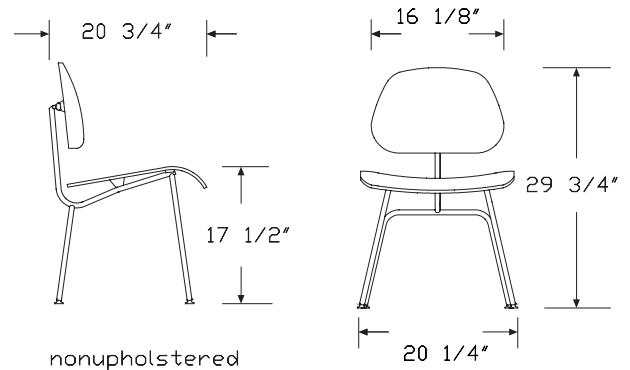
Black (BK) base finish has black glides. Trivalent chrome (47) base finish has white glides.

Santos palisander veneer is celebrated for its unique grain and color variations. Similar products ordered in multiples or dissimilar products ordered separately should be expected to have variation in both grain and color characteristics; no two products will look exactly alike.

Avoid placement in direct sunlight.

Customer's Own Material (COM) requires 1 yard. Customer's Own Leather (COL), requires 18 square feet. See COM Information in Appendices for additional information.

Dimensions



Eames® Molded Plywood Dining Chair Metal Base *continued*

Specification Information

Step 1.

DC A

Step 2. Upholstery

M. nonupholstered shell A

M.U upholstered shell A

Prices for Steps 1-2.

DCM. \$808

DCM.U \$1335

Step 3. Base Finish

BK black A +\$0

47 trivalent chrome A +\$20

Step 4. Shell Finish

Wood Veneer

OU walnut A +\$0

11 red stain A +\$115

A2 white ash A +\$115

EN ebony A +\$115

9N santos palisander A +\$285

Step 5. Fabric

For upholstered shell (M.U)

Price Category 1 +\$0

Price Category 2 +\$30

Price Category 3 +\$57

Price Category (Geiger) 3 +\$57

Price Category 4 +\$86

Price Category (Geiger) 4 +\$86

Price Category 5 +\$101

Price Category (Geiger) 5 +\$90

Price Category 6 +\$119

Price Category (Geiger) 6 +\$119

Price Category 7 +\$181

Price Category (Geiger) 7 +\$181

Price Category 8 +\$236

Price Category (Geiger) 8 +\$236

Price Category 9 +\$351

Price Category 10 +\$389

Price Category (Geiger) 10 +\$389

Price Category 11 +\$424

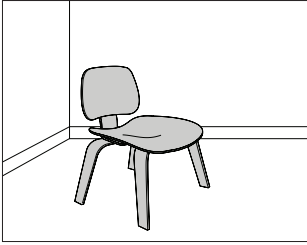
Price Category 14 +\$508

Price Category 10M +\$327

Price Category C	+\$57
Price Category D	+\$80
Price Category E	+\$116
Price Category F	+\$160
Price Category G	+\$272
Price Category H	+\$305
Price Category I	+\$341
Price Category J	+\$376
Price Category L	+\$462
Price Category K	+\$413
Price Category M	+\$519
Price Category N	+\$554
Price Category O	+\$589
Price Category P	+\$611
Price Category Q	+\$660
Price Category R	+\$711

Eames® Molded Plywood Dining
Chair Wood Base

DCW.



Product Information

Description

This 28³/₄"-high molded plywood chair has natural face veneers, hardwood inner plies, a 5-ply seat and back, and 8-ply legs. When upholstered, the back and seat shells have exposed veneer on their backside.

Notes

Red stain (11) finish is on birch veneer. This stain allows the wood grain to show through; inner plies are visible. Natural variations in wood grain may affect the appearance of this stain color.

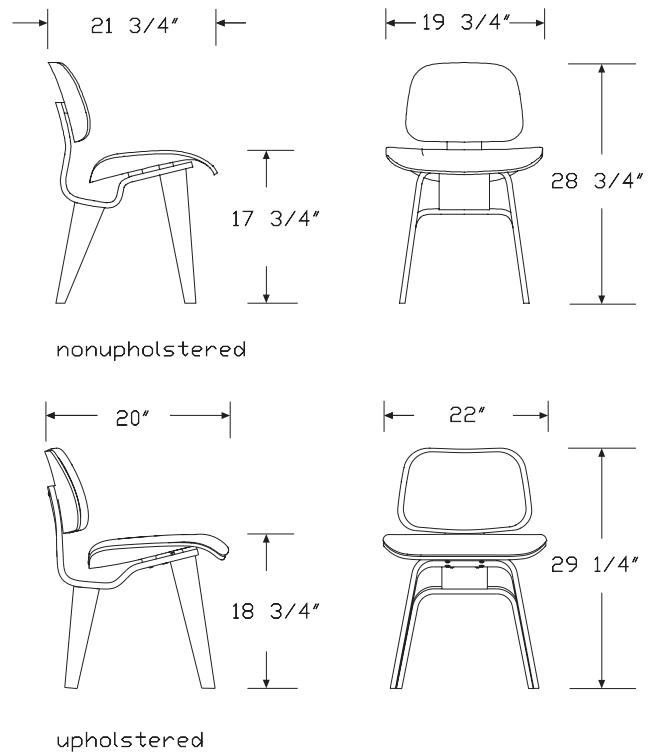
Ebony (EN) shell finish is stain on ash veneer; inner plies are not as visible.

Santos palisander veneer is celebrated for its unique grain and color variations. Similar products ordered in multiples or dissimilar products ordered separately should be expected to have variation in both grain and color characteristics; no two products will look exactly alike.

Avoid placement in direct sunlight.

Customer's Own Material (COM) requires 1 yard. Customer's Own Leather (COL), requires 18 square feet. See COM Information in Appendices for additional information.

Dimensions



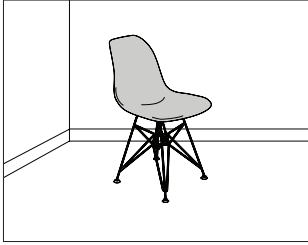
Eames® Molded Plywood Dining Chair Wood Base *continued*

Specification Information	
Step 1.	
DC	<input type="checkbox"/> A
Step 2. Upholstery	
W.	nonupholstered shell <input type="checkbox"/> A
W.U	upholstered shell <input type="checkbox"/> A
Prices for Steps 1-2.	
DCW.	\$1090
DCW.U	\$1559
Step 3. Finish	
OU	walnut <input type="checkbox"/> A +\$0
11	red stain <input type="checkbox"/> A +\$154
A2	white ash <input type="checkbox"/> A +\$154
EN	ebony <input type="checkbox"/> A +\$154
9N	santos palisander <input type="checkbox"/> A +\$575
Step 4. Fabric	
<i>For upholstered shell (W.U)</i>	
Price Category 1	+\$0
Price Category 2	+\$30
Price Category 3	+\$57
Price Category 4	+\$86
Price Category (Geiger) 4	+\$86
Price Category 5	+\$101
Price Category (Geiger) 5	+\$90
Price Category 6	+\$119
Price Category (Geiger) 6	+\$84
Price Category 7	+\$181
Price Category (Geiger) 7	+\$181
Price Category 8	+\$236
Price Category (Geiger) 8	+\$236
Price Category 9	+\$351
Price Category 10	+\$327
Price Category (Geiger) 10	+\$389
Price Category 11	+\$424
Price Category 14	+\$508
Price Category 10M	+\$327
Price Category C	+\$57
Price Category D	+\$80
Price Category E	+\$116
Price Category F	+\$160
Price Category G	+\$272
Price Category H	+\$305
Price Category I	+\$341

Price Category J	+\$376
Price Category K	+\$413
Price Category L	+\$462
Price Category M	+\$519
Price Category N	+\$554
Price Category O	+\$589
Price Category P	+\$611
Price Category Q	+\$660
Price Category R	+\$711

Eames® Molded Plastic Side Chair

DSR.
DSS.
DSW.
DSX.



Product Information

Description

This chair has a single-piece nonupholstered shell with waterfall edges and molded plastic seat and flexible back. Base options include a wire base, a stacking/ganging base, a dowel base, or a 4-leg base. The dowel base has non-adjustable nylon glides. Standard glides can be ordered with or without felt. Ships assembled.

Notes

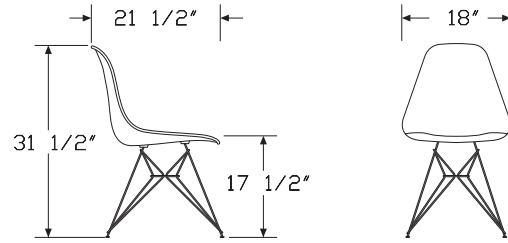
Ebony (EN) and walnut (OU) dowel legs are stained ash wood with black glides.

Natural maple (UL) and white ash (A2) dowel legs have white glides.

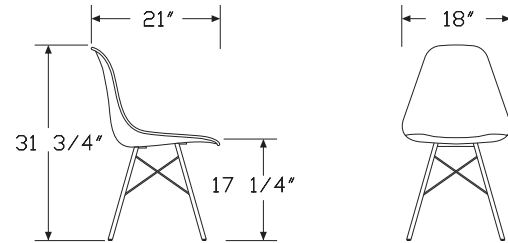
Dowel base has glide option to include felt bottom.

Stacking/ganging base chairs can stack up to 14 high. For ease of mobility, two types of dollies are available, but sold separately.

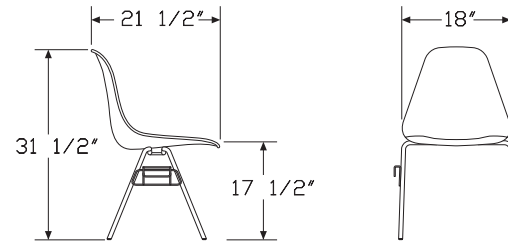
Dimensions



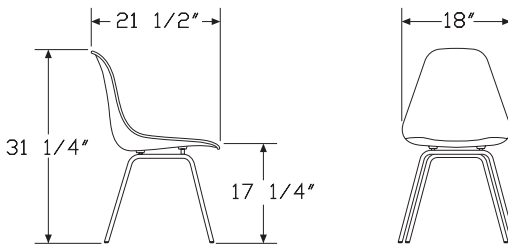
Wire Base



Dowel-Leg Base



Stacking/Ganging Base



4-Leg Base

Eames® Molded Plastic Side Chair

continued

Specification Information

Step 1.

DS

Step 2. Base Option

- R.** wire base with nonupholstered shell
- S.** stacking/ganging base with nonupholstered shell
- W.** dowel base with nonupholstered shell
- X.** 4-leg base with nonupholstered shell

Prices for Steps 1-2.

DSR.	\$380
DSS.	\$390
DSW.	\$532
DSX.	\$345

Step 3. Base Finish

For wire base with nonupholstered shell (R.), dowel base with nonupholstered shell (W.), or 4-leg base with nonupholstered shell (X.)

91	white A	+\$0
BK	black	+\$0
47	trivalent chrome	+\$20

For stacking/ganging base with nonupholstered shell (S.)

47	trivalent chrome	+\$20
-----------	------------------	-------

Step 4. Dowel Finish

For dowel base with nonupholstered shell (W.)

UL	natural maple	+\$0
A2	white ash A	+\$30
EN	ebony	+\$30
OU	walnut	+\$30

Step 5. Seat/Back Finish

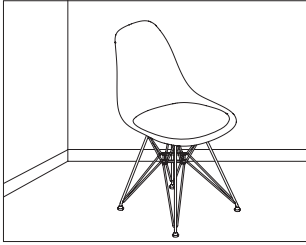
4T	aqua sky	+\$0
5B	java	+\$0
9J	sparrow	+\$0
CHL	charcoal	+\$0
PBL	peacock blue	+\$0
STN	stone	+\$0
ZA	black	+\$0
ZE	red orange	+\$0
ZF	white	+\$0
ZM	alpine	+\$0

Step 6. Glide Option

E8	standard glide	+\$0
E9	standard glide with felt bottom	+\$25

Eames® Upholstered Molded Plastic Side Chair

DSR.
DSW.
DSX.



Product Information

Description

This side chair has a molded 1-piece construction with waterfall edges, molded plastic seat and flexible back. It has a fully upholstered shell or an attached upholstered seat pad. Seat pad is easily removable for cleaning or reupholstery. Base options include a wire base, dowel base, or 4-leg base. The dowel base has non-adjustable nylon glides. Standard glides can be ordered with or without felt. Ships assembled.

Notes

Ebony (EN) and walnut (OU) dowel legs are stained ash wood with black glides.

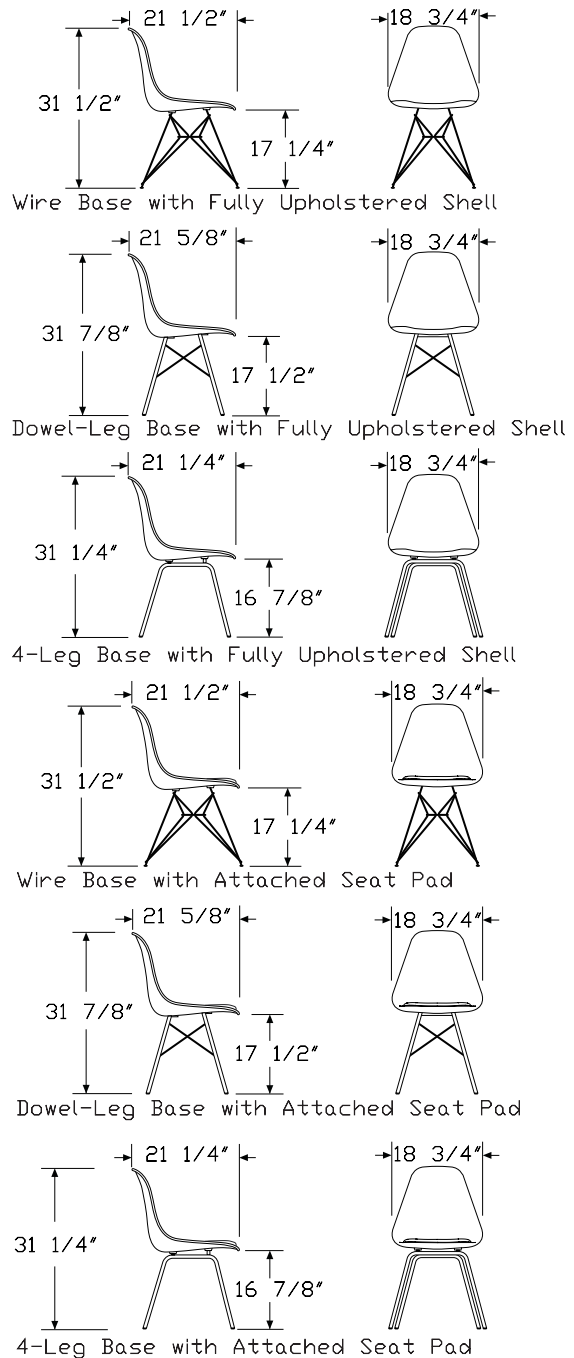
Natural maple (UL) and white ash (A2) dowel legs have white glides.

Dowel base has glide option to include felt bottom.

Seat pad is upholstered with textiles or leather for indoor use only.

For upholstered seat pad (P), Customer's Own Material (COM) requires 1 yard. Customer's Own Leather (COL) requires 9 square feet. See Order Information in appendices.

Dimensions



Eames® Upholstered Molded Plastic Side Chair *continued*

Specification Information

Step 1.

DS A

Step 2. Base

R. wire leg A

W. dowel base A

X. 4-leg base A

Step 3. Upholstery

P upholstered seat pad A

U fully upholstered shell A

Prices for Steps 1-3.

DSR.	P	\$502
	U	\$598

DSW.	P	\$654
	U	\$750

DSX.	P	\$466
	U	\$562

Step 4. Base Finish

91 white A +\$0

BK black A +\$0

47 trivalent chrome A +\$20

Step 5. Dowel Finish

For dowel base (W.)

A2 white ash A +\$30

EN ebony A +\$30

OU walnut A +\$30

UL natural maple A +\$0

Step 6. Back Finish

4T aqua sky A +\$0

5B java A +\$0

9J sparrow A +\$0

BLH blush +\$0

CHL charcoal +\$0

KGR kelly green +\$0

PBL peacock blue +\$0

PYW pale yellow +\$0

STN stone +\$0

ZA black A +\$0

ZE red orange A +\$0

ZF white A +\$0

ZM alpine +\$0

Step 7. Edge Finish

For fully upholstered shell (U)

111 parchment A +\$0

BK black A +\$0

ZF white A +\$0

Step 8. Upholstery

For fully upholstered shell (U)

Price Category 2 +\$26

Price Category 5 +\$61

Price Category B +\$30

Price Category G +\$212

Price Category H +\$212

Price Category K +\$380

Eames® Upholstered Molded Plastic Side Chair *continued*

For upholstered seat pad (P)

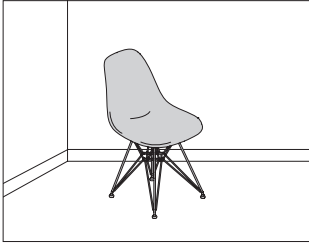
Price Category (Geiger) 6	+\$81
Price Category (Geiger) 4	+\$34
Price Category 1	+\$0
Price Category 2	+\$26
Price Category 3	+\$25
Price Category 4	+\$34
Price Category 5	+\$61
Price Category (Geiger) 5	+\$61
Price Category 7	+\$115
Price Category (Geiger) 7	+\$111
Price Category 8	+\$151
Price Category (Geiger) 8	+\$146
Price Category 9	+\$216
Price Category 11	+\$262
Price Category B	+\$30
Price Category C	+\$50
Price Category G	+\$170
Price Category H	+\$210
Price Category K	+\$380

Step 9. Glide Option

E8 standard glide	+\$0
E9 standard glide with felt bottom	+\$25

Eames® Molded Fiberglass Side Chair

DFSR.
DFSS.
DFSW.
DFSX.



Herman Miller Collection—Side & Stacking Chairs

Product Information

Description

This chair has a single-piece nonupholstered shell with waterfall edges and molded fiberglass seat and flexible back. Base options include a wire base, stacking/ganging base, dowel base, or a 4-leg base. The dowel base has non-adjustable nylon glides. Standard glides can be ordered with or without felt. Ships assembled.

Notes

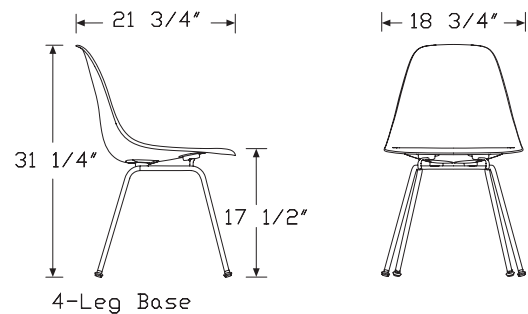
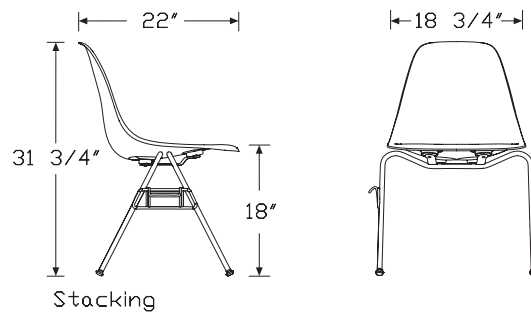
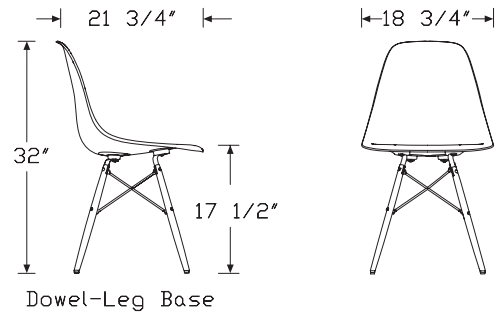
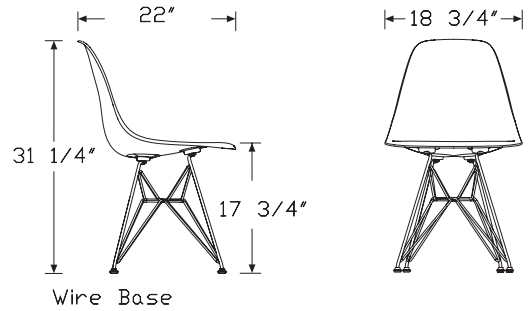
Ebony (EN) and walnut (OU) dowel legs are stained ash wood with black glides.

Natural maple (UL) and white ash (A2) dowel legs have white glides.

Dowel base has glide option to include felt bottom.

Stacking base chairs can stack up to 14 high. For ease of mobility, two types of dollies are available, but sold separately.

Dimensions



Eames® Molded Fiberglass Side Chair *continued*

Specification Information

Step 1.

DFS

Step 2. Base Option

- R.** wire base with nonupholstered shell
- S.** stacking/ganging base with nonupholstered shell
- W.** dowel base with nonupholstered shell
- X.** 4-leg base with nonupholstered shell

Prices for Steps 1-2.

DFSR.	\$664
DFSS.	\$674
DFSW.	\$816
DFSX.	\$628

Step 3. Base Finish

For wire base with nonupholstered shell (R.), dowel base with nonupholstered shell (W.), or 4-leg base with nonupholstered shell (X.)

91 white	+\$0
BK black	+\$0
47 trivalent chrome	+\$20

For stacking/ganging base with nonupholstered shell (S.)

47 trivalent chrome	+\$20
----------------------------	-------

Step 4. Dowel Finish

For dowel base with nonupholstered shell (W.)

UL natural maple	+\$0
A2 white ash	+\$30
EN ebony	+\$30
OU walnut	+\$30

Step 5. Seat/Back Finish

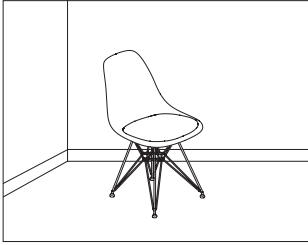
111 parchment	+\$0
112 elephant hide grey	+\$0
113 ultramarine blue	+\$0
114 red orange	+\$0
115 lemon yellow	+\$0
116 green	+\$0
117 navy blue	+\$0
118 black	+\$0
119 seal brown	+\$0
TCA terra cotta	+\$0
DKS dark seafoam	+\$0

Step 6. Glide Option

E8 standard glide	+\$0
E9 standard glide with felt bottom	+\$25

Eames® Upholstered Molded Fiberglass Side Chair

DFSR.
DFSW.
DFSX.



Herman Miller Collection—Side & Stacking Chairs

Product Information

Description

This side chair has a molded 1-piece construction with waterfall edges, molded fiberglass seat and flexible back. It has a fully upholstered shell or an attached upholstered seat pad. Seat pad is easily removable for cleaning or reupholstery. Base options include a wire base, dowel base, or 4-leg base. The dowel base has non-adjustable nylon glides. Standard glides can be ordered with or without felt. Ships assembled.

Notes

Ebony (EN) and walnut (OU) dowel legs are stained ash wood with black glides.

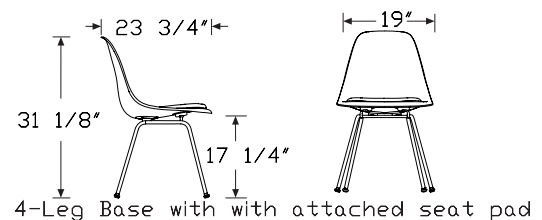
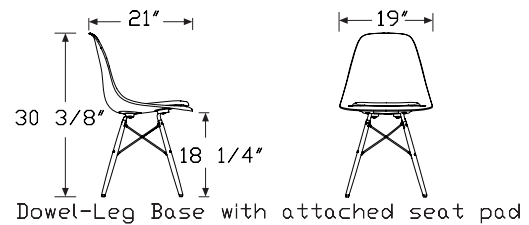
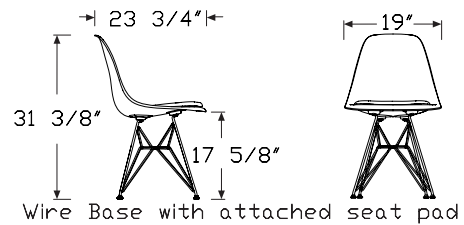
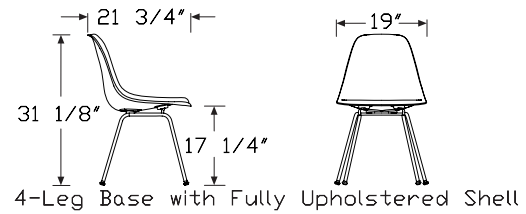
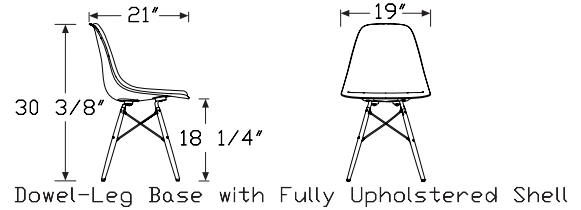
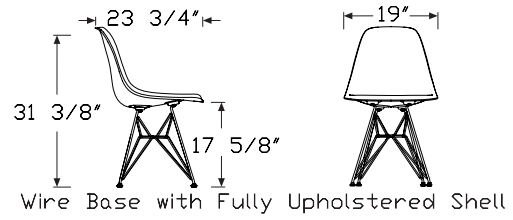
Natural maple (UL) and white ash (A2) dowel legs have white glides.

Dowel base has glide option to include felt bottom.

Seat pad is upholstered with textiles or leather for indoor use only.

For upholstered seat pad (P), Customer's Own Material (COM) requires 1 yard. Customer's Own Leather (COL) requires 9 square feet. See Order Information in appendices.

Dimensions



Eames® Upholstered Molded Fiberglass Side Chair *continued*

Specification Information

Step 1.

DFS A

Step 2. Base

R. wire leg A

W. dowel base A

X. 4-leg base A

Step 3. Upholstery

U fully upholstered shell A

P upholstered seat pad A

Prices for Steps 1-3.

DFSR. U	\$882
P	\$785

DFSW. U	\$1034
P	\$937

DFSX. U	\$846
P	\$750

Step 4. Base Finish

91 white A +\$0

BK black A +\$0

47 trivalent chrome A +\$20

Step 5. Dowel Finish

For dowel base (W.)

UL natural maple A +\$0

A2 white ash A +\$30

EN ebony A +\$30

OU walnut A +\$30

Step 6. Back Finish

111 parchment A +\$0

112 elephant hide grey A +\$0

113 ultramarine blue A +\$0

114 red orange A +\$0

115 lemon yellow A +\$0

116 green A +\$0

117 navy blue A +\$0

118 black A +\$0

119 seal brown A +\$0

TCA terra cotta A +\$0

DKS dark seafoam A +\$0

Step 7. Edge Finish

For fully upholstered shell (U)

ZF white A +\$0

111 parchment A +\$0

BK black A +\$0

Step 8. Upholstery

For fully upholstered shell (U)

Price Category 2 +\$26

Price Category 5 +\$61

Price Category B +\$45

Price Category G +\$212

Price Category H +\$212

Price Category K +\$380

For upholstered seat pad (P)

Price Category (Geiger) 4 +\$34

Price Category 1 +\$0

Price Category 2 +\$26

Price Category 4 +\$34

Price Category 5 +\$61

Price Category (Geiger) 5 +\$61

Price Category (Geiger) 6 +\$81

Price Category 7 +\$115

Price Category (Geiger) 7 +\$111

Price Category 8 +\$151

Price Category (Geiger) 8 +\$146

Price Category 9 +\$216

Price Category 11 +\$262

Price Category B +\$45

Price Category C +\$50

Price Category G +\$170

Price Category H +\$210

Price Category K +\$380

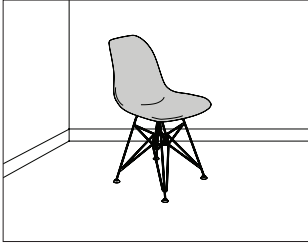
Step 9. Glide Option

E8 standard glide A +\$0

E9 standard glide with felt bottom A +\$25

Eames® Molded Wood Side Chair

DWSR.
DWSW.
DWSX.



HermanMiller Collection—Side & Stacking Chairs

Product Information

Description

This side chair has a molded one-piece construction with waterfall edges, and measures .260" in thickness. Base is attached by non-removable wooden shock mounts. Base options include a wire base, 4-leg base, or a dowel-leg base. The dowel-leg base has non-adjustable nylon glides.

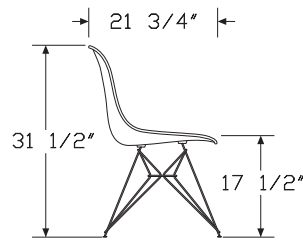
Notes

Ebony (EN) and walnut (OU) dowel legs are stained ash wood with black glides.

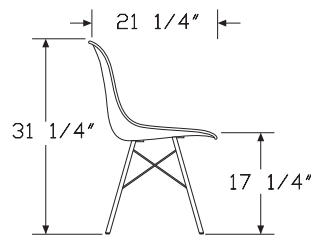
Natural maple (UL) and white ash (A2) dowel legs have white glides.

Dowel base has glide option to include felt bottom.

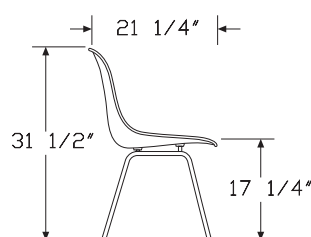
Dimensions



Wire Base



Dowel-Leg Base



4-Leg Base

Specification Information

Step 1.

DWS A

Step 2. Base Option

- R.** wire base
- W.** dowel base A
- X.** 4-leg base A

Prices for Steps 1-2.

DWSR.	\$788
DWSW.	\$940
DWSX.	\$753

Step 3. Base Finish

91 white <input type="checkbox"/> A	+\$0
BK black	+\$0
47 trivalent chrome	+\$20

Step 4. Dowel Finish

For dowel base (W.)

UL natural maple <input type="checkbox"/> A	+\$0
A2 white ash <input type="checkbox"/> A	+\$30
EN ebony <input type="checkbox"/> A	+\$30
OU walnut	+\$30

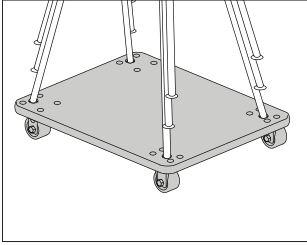
Step 5. Seat/Back Finish

EN ebony <input type="checkbox"/> A	+\$116
OU walnut <input type="checkbox"/> A	+\$0
A2 white ash <input type="checkbox"/> A	+\$116
9N santos palisander	+\$289

Step 6. Glide Option

E8 standard glide	+\$0
E9 standard glide with felt bottom	+\$25

Eames® Side Chair Stacking Base DOLLY.
Dolly



Product Information

Description

This chair dolly stores and transports up to 28 Eames® plastic side chairs with the stacking/ganging base option. It is made of plywood and has 2 locking and 2 non-locking casters.

Notes

Single dolly supports 1 stack of 14 chairs. Double dolly supports 2 stacks of 14 chairs.

Dimensions

Specification Information

Step 1.

DOLLY.

Step 2. Type

A single

B double

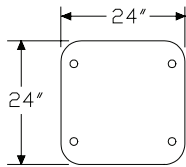
Prices for Steps 1-2.

DOLLY. A

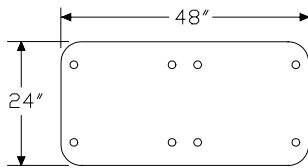
\$502

B

\$583



A (Single)



B (Double)

Eames® Wire Chair

DKR.
DKW.
DKX.



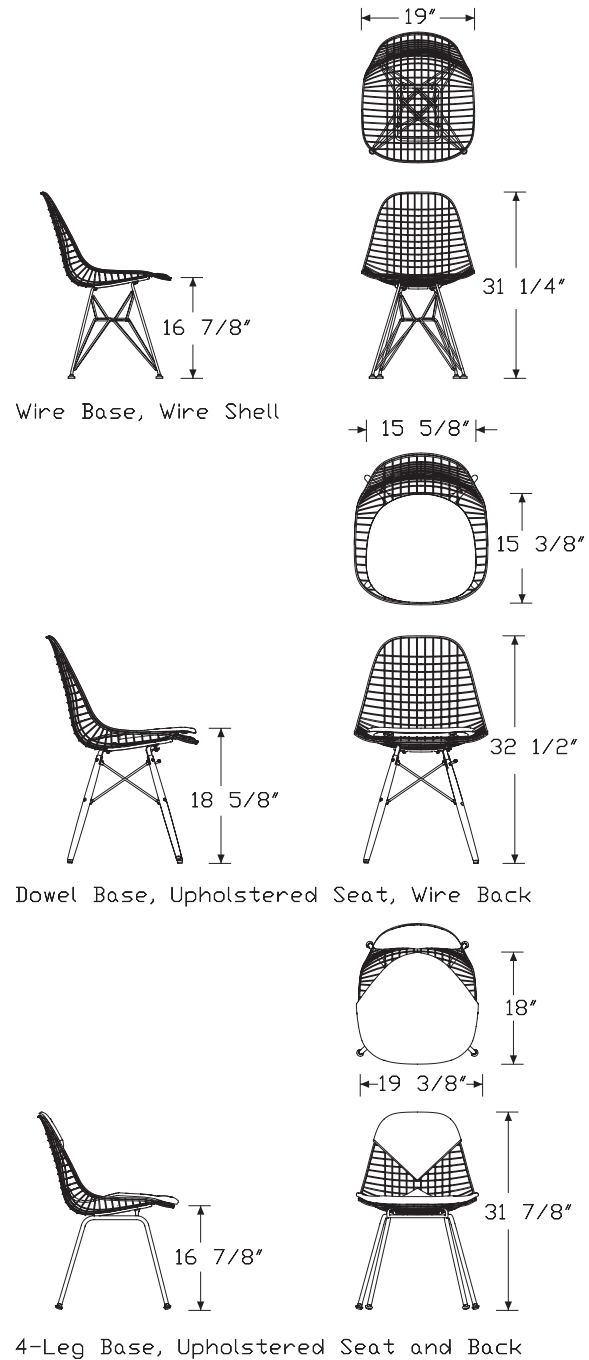
Herman Miller Collection—Side & Stacking Chairs

Product Information

Description

This chair has a wire shell, a wire shell with upholstered seat and back, or a wire shell with upholstered seat and wire back. Wire shell and metal bases are available in trivalent chrome, white or black. Dowel base is available in several finishes. Chair comes with standard indoor glides with or without felt. Suitable for indoor use only.

Dimensions



Specification Information

Step 1.

DK A

Step 2. Base

R. wire leg A

X. 4-leg base A

W. dowel base A

Step 3. Seat/Back Material

0 wire shell

2 wire shell/upholstered seat/back

5 wire shell/upholstered seat/wire back

Prices for Steps 1-3.

DKR.	0	\$835
	2	\$1342
	5	\$1088
<hr/>		
DKX.	0	\$800
	2	\$1306
	5	\$1053
<hr/>		
DKW.	0	\$987
	2	\$1494
	5	\$1240

Step 4. Seat Frame/Leg Finish

47	trivalent chrome	+\$20
91	white	+\$0
BK	black	+\$0

Step 5. Dowel Finish

For dowel base (W.) with wire shell (0), wire shell/upholstered seat/back (2), or wire shell/upholstered seat/wire back (5) with trivalent chrome (47), white (91), or black (BK)

UL	natural maple <input type="checkbox"/> A	+\$0
A2	white ash <input type="checkbox"/> A	+\$30
EN	ebony <input type="checkbox"/> A	+\$30
OU	walnut <input type="checkbox"/> A	+\$30

Step 6. Upholstery

For wire shell/upholstered seat/back (2)

Price Category 5	+\$61
Price Category 8	+\$146
Price Category 9	+\$216
Price Category 11	+\$262
Price Category B	+\$30
Price Category C	+\$50
Price Category D	+\$79
Price Category K	+\$380

For wire shell/upholstered seat/wire back (5)

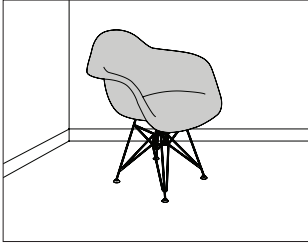
Price Category (Geiger) 6	+\$81
Price Category (Geiger) 4	+\$34
Price Category 1 <input type="checkbox"/> A	+\$0
Price Category 2	+\$26
Price Category 4	+\$34
Price Category 5	+\$61
Price Category (Geiger) 5	+\$61
Price Category (Geiger) 7	+\$111
Price Category 8	+\$146
Price Category (Geiger) 8	+\$146
Price Category 9	+\$216
Price Category 11	+\$262
Price Category B	+\$30
Price Category C	+\$50
Price Category G	+\$170
Price Category H	+\$210
Price Category K	+\$380

Step 7. Glide Option

E8	standard glide <input type="checkbox"/> A	+\$0
E9	standard glide with felt bottom <input type="checkbox"/> A	+\$25

Eames® Molded Plastic Armchair

DAR.
DAW.
DAX.



Herman Miller Collection—Side & Stacking Chairs

Product Information

Description

This chair has a single-piece shell with waterfall edges and molded back, seat and arms. Base options include a wire base, dowel base, or a 4-leg base. The dowel base has non-adjustable nylon glides.

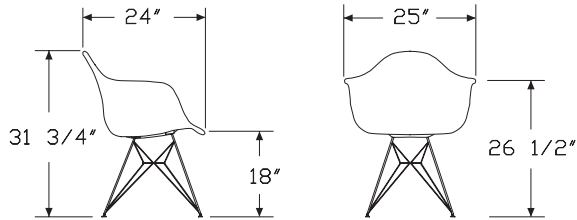
Notes

Ebony (EN) and walnut (OU) dowel legs are stained ash wood with black glides.

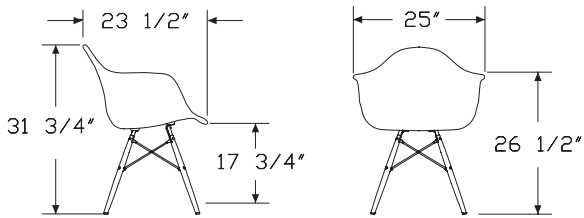
Natural maple (UL) and white ash (A2) dowel legs have white glides.

Dowel base has glide option to include felt bottom.

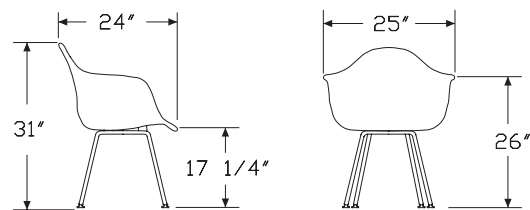
Dimensions



Wire Base



Dowel-Leg Base



4-Leg Base

Specification Information

Step 1.

DA

Step 2. Base Option

- R.** wire base with nonupholstered shell
- W.** dowel base with nonupholstered shell
- X.** 4-leg base with nonupholstered shell

Prices for Steps 1-2.

DAR.	\$522
DAW.	\$674
DAX.	\$486

Step 3. Base Finish

91	white A	+\$0
BK	black	+\$0
47	trivalent chrome	+\$20

Step 4. Dowel Finish

For dowel base with nonupholstered shell (W.)

UL	natural maple	+\$0
A2	white ash A	+\$30
EN	ebony	+\$30
OU	walnut	+\$30

Step 5. Seat/Back Finish

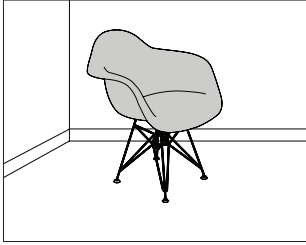
4T	aqua sky	+\$0
5B	java	+\$0
9J	sparrow	+\$0
CHL	charcoal	+\$0
PBL	peacock blue	+\$0
STN	stone	+\$0
ZA	black	+\$0
ZE	red orange	+\$0
ZF	white	+\$0
ZM	alpine	+\$0

Step 6. Glide Option

E8	standard glide	+\$0
E9	standard glide with felt bottom	+\$25

Eames® Upholstered Molded Plastic Armchair

DAR.
DAW.
DAX.



Product Information

Description

This chair has a single-piece molded plastic shell with waterfall edges and upholstered back, seat and arms or an upholstered seat pad. Base options include a wire base, dowel base, or a 4-leg base. The dowel base has non-adjustable nylon glides. Standard glides can be ordered with or without felt. Ships assembled.

Notes

Ebony (EN) and walnut (OU) dowel legs are stained ash wood with black glides.

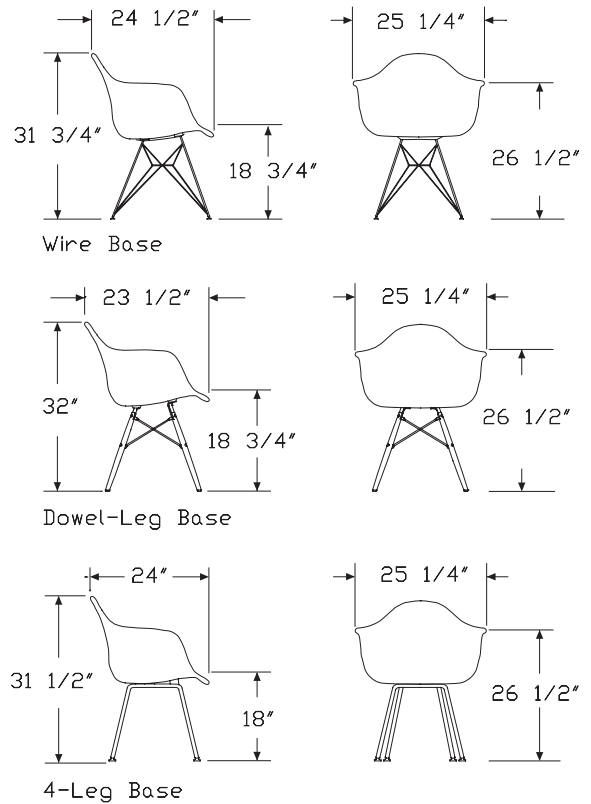
Natural maple (UL) and white ash (A2) dowel legs have white glides.

Dowel base has glide option to include felt bottom.

Seat pad upholstered with textiles or leather for indoor use only.

For upholstered seat pad (P), Customer's Own Material (COM) requires 1 yard. Customer's Own Leather (COL) requires 9 square feet. See Order Information in appendices.

Dimensions



Eames® Upholstered Molded Plastic Armchair *continued*

Specification Information

Step 1.

DA A

Step 2. Base Option

R. wire leg A

W. dowel base A

X. 4-leg base A

Step 3. Upholstery

P upholstered seat pad A

U fully upholstered shell A

Prices for Steps 1-3.

DAR.	P	\$644
	U	\$775

DAW.	P	\$796
	U	\$927

DAX.	P	\$608
	U	\$740

Step 4. Base Finish

91 white A +\$0

BK black A +\$0

47 trivalent chrome A +\$20

Step 5. Dowel Finish

For dowel base (W.)

UL natural maple A +\$0

A2 white ash A +\$30

EN ebony A +\$30

OU walnut A +\$30

Step 6. Back Finish

4T aqua sky A +\$0

5B java A +\$0

9J sparrow A +\$0

ZA black A +\$0

ZE red orange A +\$0

ZF white A +\$0

ZM alpine +\$0

PYW pale yellow +\$0

BLH blush +\$0

PBL peacock blue +\$0

STN stone +\$0

KGR kelly green +\$0

CHL charcoal +\$0

Step 7. Edge Finish

For fully upholstered shell (U)

111 parchment A +\$0

BK black A +\$0

ZF white A +\$0

Step 8. Fabric

For fully upholstered shell (U)

Price Category 2 +\$37

Price Category 5 +\$47

Price Category B +\$30

Price Category H +\$212

Price Category K +\$380

Eames® Upholstered Molded Plastic Armchair *continued*

For upholstered seat pad (P)

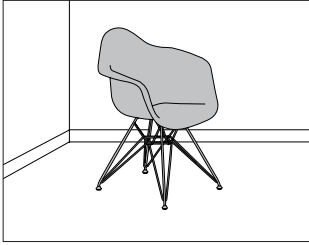
Price Category (Geiger) 4	+\$34
Price Category 1	+\$0
Price Category 2	+\$26
Price Category 3	+\$0
Price Category 4	+\$34
Price Category 5	+\$61
Price Category (Geiger) 5	+\$61
Price Category (Geiger) 6	+\$81
Price Category 7	+\$111
Price Category (Geiger) 7	+\$111
Price Category 8	+\$146
Price Category (Geiger) 8	+\$146
Price Category 9	+\$216
Price Category 11	+\$262
Price Category B	+\$30
Price Category C	+\$50
Price Category G	+\$170
Price Category H	+\$210
Price Category K	+\$380

Step 9. Glide Option

E8 standard glide	+\$0
E9 standard glide with felt bottom	+\$25

Eames® Molded Fiberglass
Armchair

DFAR.
DFAW.
DFAX.



Herman Miller Collection—Side & Stacking Chairs

Product Information

Description

This chair has a single-piece nonupholstered shell with waterfall edges and molded fiberglass back, seat and arms. Base options include a wire base, dowel base, or a 4-leg base. The dowel base has nonadjustable nylon glides. Standard glides can be ordered with or without felt. Ships assembled.

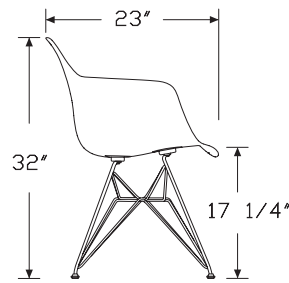
Notes

Ebony (EN) and walnut (OU) dowel legs are stained ash wood with black glides.

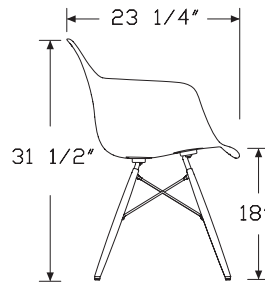
Natural maple (UL) and white ash (A2) dowel legs have white glides.

Dowel base has glide option to include felt bottom.

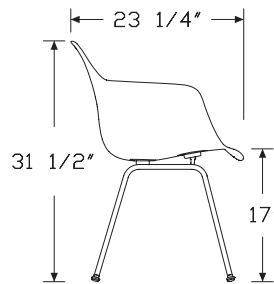
Dimensions



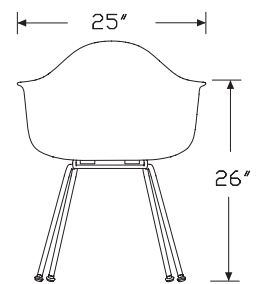
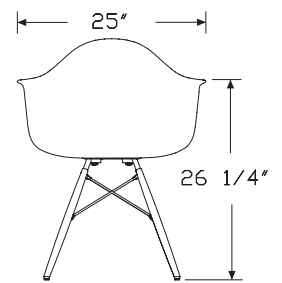
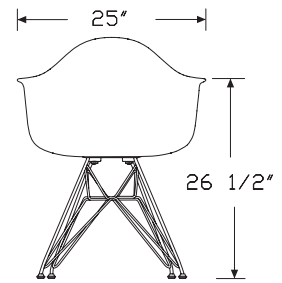
Wire Base



Dowel-Leg Base



4-Leg Base



Eames® Molded Fiberglass Armchair *continued*

Specification Information

Step 1.

DFA

Step 2. Base Option

- R.** wire base with nonupholstered shell
- W.** dowel base with nonupholstered shell
- X.** 4-leg base with nonupholstered shell

Prices for Steps 1-2.

DFAR.	\$806
DFAW.	\$958
DFAX.	\$770

Step 3. Base Finish

91	white	+\$0
BK	black	+\$0
47	trivalent chrome	+\$20

Step 4. Dowel Finish

For dowel base with nonupholstered shell (W.)

UL	natural maple	+\$0
A2	white ash	+\$30
EN	ebony	+\$30
OU	walnut	+\$30

Step 5. Seat/Back Finish

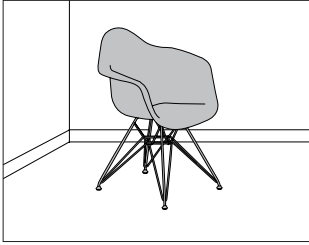
111	parchment	+\$0
112	elephant hide grey	+\$0
113	ultramarine blue	+\$0
114	red orange	+\$0
115	lemon yellow	+\$0
116	green	+\$0
117	navy blue	+\$0
118	black	+\$0
119	seal brown	+\$0
TCA	terra cotta	+\$0
DKS	dark seafoam	+\$0

Step 6. Glide Option

E8	standard glide	+\$0
E9	standard glide with felt bottom	+\$25

Eames® Upholstered Molded
Fiberglass Armchair

DFAR.
DFAW.
DFAX.



Herman Miller Collection—Side & Stacking Chairs

Product Information

Description

This chair has a single-piece molded fiberglass shell with waterfall edges and upholstered back, seat and arms or an upholstered seat pad. Base options include a wire base, dowel base, or 4-leg base. The dowel base has nonadjustable nylon glides. Standard glides can be ordered with or without felt. Ships assembled.

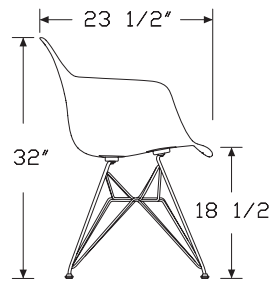
Notes

Ebony (EN) and walnut (OU) dowel legs are stained ash wood with black glides.

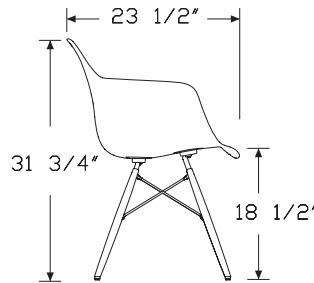
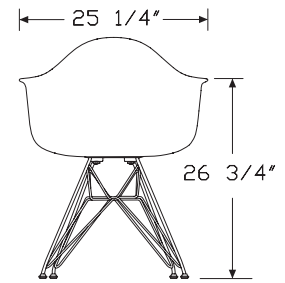
Natural maple (UL) and white ash (A2) dowel legs have white glides.

Dowel base has glide option to include felt bottom.

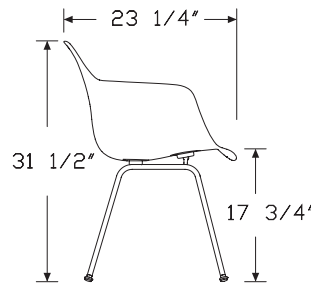
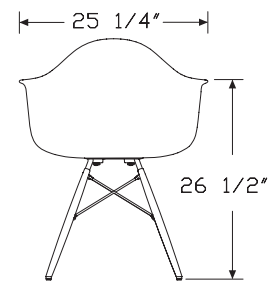
Dimensions



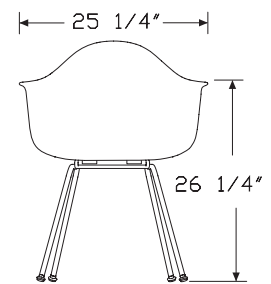
Wire Base



Dowel-Leg Base



4-Leg Base



Eames® Upholstered Molded Fiberglass Armchair *continued*

Specification Information

Step 1.

DFA A

Step 2. Base Option

R. wire leg A

W. dowel base A

X. 4-leg base A

Step 3. Upholstery

U fully upholstered shell A

P upholstered seat pad A

Prices for Steps 1-3.

DFAR. U	\$1059
P	\$927

DFAW. U	\$1211
P	\$1079

DFAX. U	\$1024
P	\$892

Step 4. Base Finish

91 white A +\$0

BK black A +\$0

47 trivalent chrome A +\$20

Step 5. Dowel Finish

For dowel base (W.)

UL natural maple A +\$0

A2 white ash A +\$30

EN ebony A +\$30

OU walnut A +\$30

Step 6. Back Finish

111 parchment A +\$0

112 elephant hide grey A +\$0

113 ultramarine blue A +\$0

114 red orange A +\$0

115 lemon yellow A +\$0

116 green A +\$0

117 navy blue A +\$0

118 black A +\$0

119 seal brown A +\$0

TCA terra cotta A +\$0

DKS dark seafoam A +\$0

Step 7. Edge Finish

For fully upholstered shell (U)

111 parchment A +\$0

BK black A +\$0

ZF white A +\$0

Step 8. Fabric

For fully upholstered shell (U)

Price Category 2 +\$37

Price Category 5 +\$47

Price Category B +\$45

Price Category H +\$212

Price Category K +\$380

For upholstered seat pad (P)

Price Category (Geiger) 4 +\$34

Price Category 1 +\$0

Price Category 2 +\$26

Price Category 3 +\$30

Price Category 4 +\$34

Price Category 5 +\$61

Price Category (Geiger) 5 +\$61

Price Category (Geiger) 6 +\$81

Price Category 7 +\$111

Price Category (Geiger) 7 +\$111

Price Category 8 +\$146

Price Category (Geiger) 8 +\$146

Price Category 9 +\$216

Price Category 11 +\$262

Price Category B +\$30

Price Category C +\$50

Price Category G +\$170

Price Category H +\$210

Price Category K +\$380

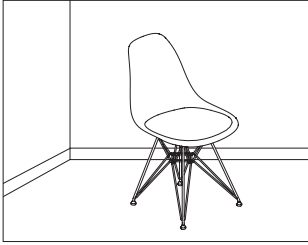
Step 9. Glide Option

E8 standard glide A +\$0

E9 standard glide with felt bottom A +\$25

Eames® Upholstered Molded Wood Side Chair

DWSR.
DWSW.
DWSX.



Herman Miller Collection—Side & Stacking Chairs

Product Information

Description

This side chair has a molded one-piece construction with waterfall edges, and measures .260" in thickness. It comes with an attached upholstered seat pad that is easily removable for cleaning or reupholstery. Base is attached by non-removable wooden shock mounts. Base options include a wire base, 4-leg base, or a dowel-leg base. The dowel-leg base has non-adjustable nylon glides.

Notes

Ebony (EN) and walnut (OU) dowel legs are stained ash wood with black glides.

Natural maple (UL) and white ash (A2) dowel legs have white glides.

Dowel base has glide option to include felt bottom.

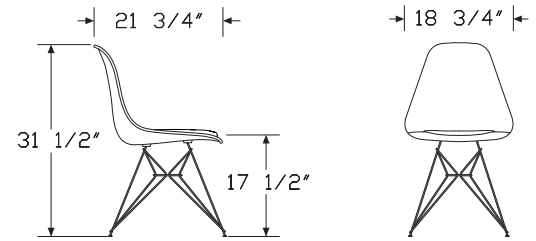
Seat pad is upholstered with textiles or leather for indoor use only.

Customer's Own Material (COM) requires 1 yard. Customer's Own

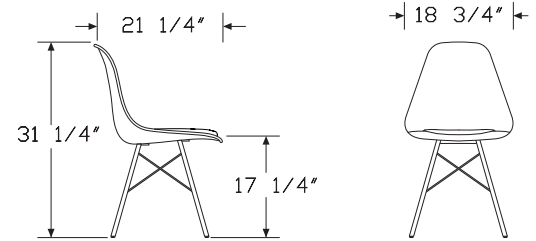
Leather (COL) requires 9 square feet. See Order Information in

appendices.

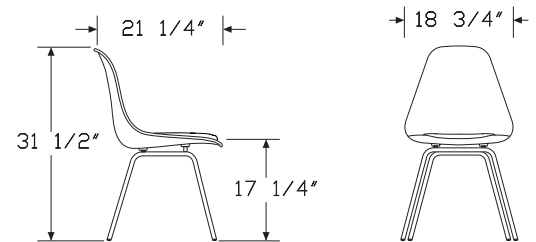
Dimensions



Wire Base



Dowel-Leg Base



4-Leg Base

Eames® Upholstered Molded Wood Side Chair *continued*

Specification Information

Step 1.

DWS A

Step 2. Base Option

- R.** wire base
- W.** dowel base A
- X.** 4-leg base A

Step 3. Upholstery

P upholstered seat pad A

Prices for Steps 1-3.

DWSR. P \$910

DWSW. P \$1062

DWSX. P \$875

Step 4. Base Finish

- 91** white A +\$0
- BK** black +\$0
- 47** trivalent chrome +\$20

Step 5. Dowel Finish

For dowel base (W.)

- UL** natural maple A +\$0
- A2** white ash A +\$30
- EN** ebony A +\$30
- OU** walnut +\$30

Step 6. Seat/Back Finish

- EN** ebony A +\$116
- OU** walnut A +\$0
- A2** white ash A +\$116
- 9N** santos palisander +\$289

Step 7. Upholstery

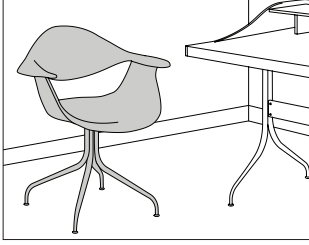
- Price Category 1 +\$0
- Price Category 2 +\$26
- Price Category 4 +\$34
- Price Category (Geiger) 4 +\$34
- Price Category 5 +\$61
- Price Category (Geiger) 5 +\$61
- Price Category (Geiger) 6 +\$81
- Price Category 7 +\$115
- Price Category (Geiger) 7 +\$111
- Price Category 8 +\$151
- Price Category (Geiger) 8 +\$146
- Price Category 9 +\$216
- Price Category 11 +\$262
- Price Category B +\$30
- Price Category C +\$50
- Price Category G +\$170
- Price Category H +\$210
- Price Category K +\$380

Step 8. Glide Option

- E8** standard glide +\$0
- E9** standard glide with felt bottom +\$25

Nelson™ Swag Leg Armchair

DAF



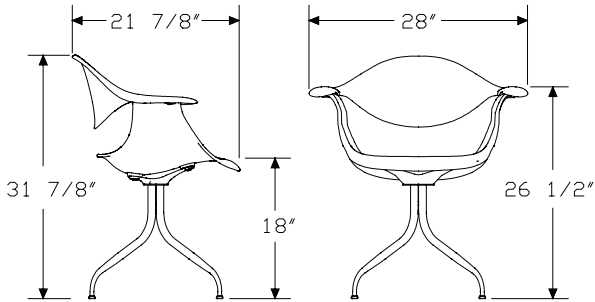
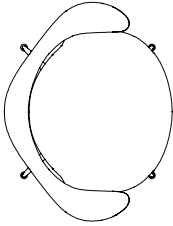
Herman Miller Collection—Side & Stacking Chairs

Product Information

Description

This chair has a 2-piece molded seat with arms and back, waterfall edges, a cast-aluminum base with steel-tube legs, and adjustable glides.

Dimensions



Specification Information

Step 1.

DAF A \$768

Step 2. Base Finish

CH chrome A +\$0

Step 3. Seat Finish

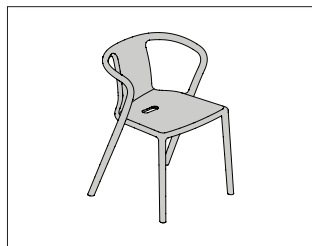
ZF white A +\$0

Step 4. Back Finish

ZF white A +\$0

Air-Chair

MGA00.



Product Information

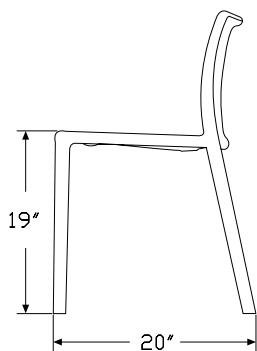
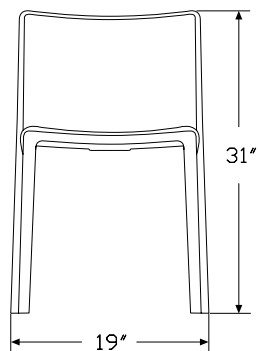
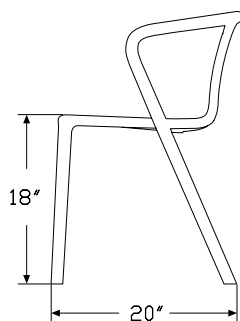
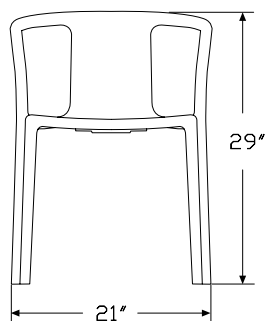
Description

This stacking chair is available with or without arms and is made from polypropylene with glass fibre added. Chairs can stack up to 10 high. Package contains 4 chairs.

Notes

This chair is suitable for outdoor use.

Dimensions



Specification Information

Step 1.

MGA00.

Step 2. Arms

N no arms

A arms

Prices for Steps 1-2.

MGA00.N	\$773
A	\$858

Step 3. Finish

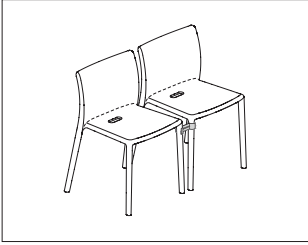
For no arms (N)

YBB beige <input type="checkbox"/>	+\$0
YBC black <input type="checkbox"/>	+\$0
YBH green <input type="checkbox"/>	+\$0
YBM orange <input type="checkbox"/>	+\$0
YBP white <input type="checkbox"/>	+\$0
PWH pure white <input type="checkbox"/>	+\$0

For arms (A)

YBB beige <input type="checkbox"/>	+\$0
YBH green <input type="checkbox"/>	+\$0
YBJ grey anthracite <input type="checkbox"/>	+\$0
YBM orange <input type="checkbox"/>	+\$0
YBP white <input type="checkbox"/>	+\$0
PWH pure white	+\$0

Air-Chair to Air-Chair Connector MGA90.

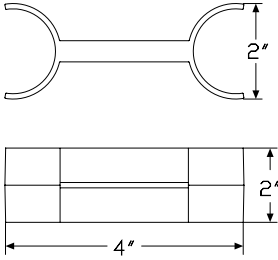


Herman Miller Collection—Side & Stacking Chairs

Product Information

Description
This linking device connects air-chair to air-chair (MGA01, MGA11.)

Dimensions

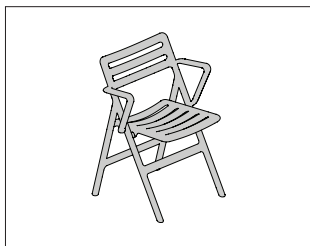


Specification Information

Step 1.
MGA90. A \$15

Air-Folding Chair

MGA01.



Product Information

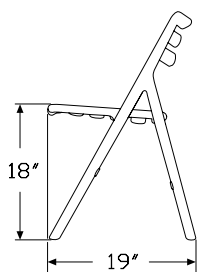
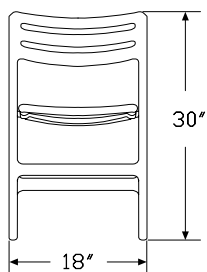
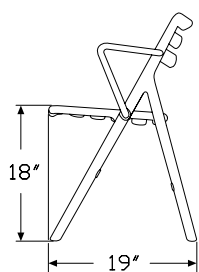
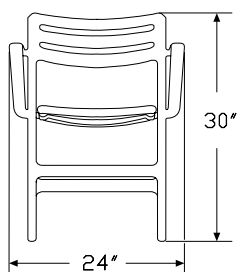
Description

This folding chair is made from polypropylene with glass fibre added. It is available with or without arms. Package contains 2 chairs.

Notes

This chair is suitable for outdoor use.

Dimensions



Specification Information

Step 1.

MGA01. A

Step 2. Arms

N no arms A

A arms A

Prices for Steps 1-2.

MGA01.N	\$428
A	\$474

Step 3. Finish

For no arms (N)

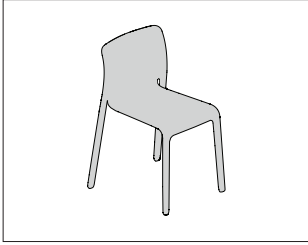
YBH green <input type="checkbox"/> A	+\$0
YBM orange <input type="checkbox"/> A	+\$0
YBP white <input type="checkbox"/> A	+\$0

For arms (A)

YBP white <input type="checkbox"/> A	+\$0
---	------

Chair First

MGF00.



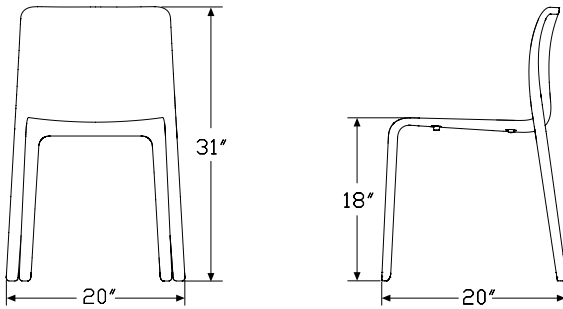
Herman Miller Collection—Side & Stacking Chairs

Product Information

Description
 This stacking chair is made from polypropylene with glass fibre added. Chairs can stack up to 10 high. Package contains 4 chairs.

Notes
 Chair is suitable for outdoor use.

Dimensions



Specification Information

Step 1.
MGF00. A \$1091

Step 2. Finish

YGB	beige	<input type="checkbox"/> A	+\$0
YGC	black	<input type="checkbox"/> A	+\$0
YGH	olive green	<input type="checkbox"/> A	+\$0
YGM	white	<input type="checkbox"/> A	+\$0
YM1	mustard	<input type="checkbox"/> A	+\$0
YM2	terracotta	<input type="checkbox"/> A	+\$0

Chair_One Stacking Base

MGE00.



Product Information

Description

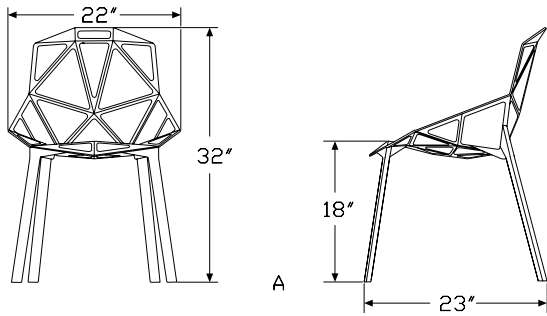
This chair comes with a four-leg base. Chairs can stack up to 8 high. Package contains 2 chairs.

Notes

Chairs with painted aluminum seat and legs or painted aluminum seat/polished aluminum legs are suitable for outdoor use.

Chairs with polished aluminum seat and legs (AL) are NOT suitable for outdoor use.

Dimensions



Specification Information

Step 1.

MGE00.A

Step 2. Seat/Leg Material

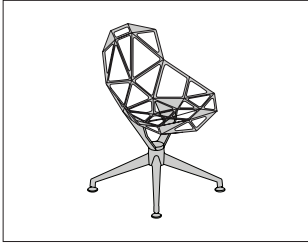
PA painted aluminum seat and legs

Prices for Steps 1-2.

MGE00.A PA \$1150

Step 3. Seat Finish

- YHB** black +\$0
- YHP** white +\$0
- HAA** ADAPTA grey +\$240
- HAB** ADAPTA white +\$240
- HAC** ADAPTA grey/green +\$240
- HAD** ADAPTA blue +\$240



Product Information

Description

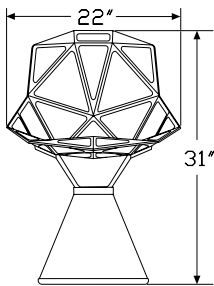
This chair is available with a four-star or concrete base, with or without swivel.

Notes

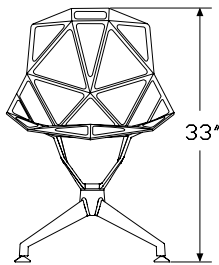
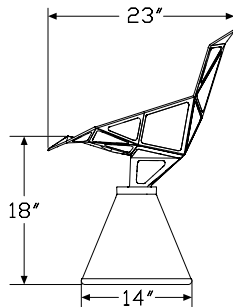
Chairs with painted aluminum seat and legs (PA), painted aluminum seat and concrete base (PC) or painted aluminum seat and black concrete base (PE) are suitable for outdoor use.

Chairs with polished aluminum seat and legs (AL) or polished aluminum with concrete base (PD) are NOT suitable for outdoor use.

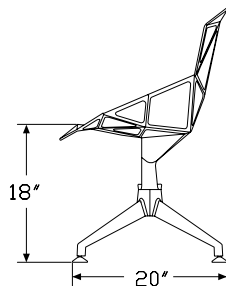
Dimensions



C



B



Specification Information

Step 1.

MGE00. A

Step 2. Base

- B** 4-star base A
- C** concrete base A
- D** 4-star base, swivel A
- E** concrete base, swivel A
- F** black concrete base A
- G** black concrete, swivel A

Step 3. Seat/Leg Material

For 4-star base (B) or 4-star base, swivel (D)

PA painted aluminum seat and legs A

For concrete base (C) or concrete base, swivel (E)

PC painted aluminum seat/natural concrete base A

For black concrete base (F) or black concrete, swivel (G)

PE painted aluminum seat/black concrete base A

Prices for Steps 1-3.

	PA	PC	PE
MGE00.B	\$730	—	—
C	—	\$870	—
D	\$730	—	—
E	—	\$1130	—
F	—	—	\$870
G	—	—	\$1130

Step 4. Seat Finish

For 4-star base (B) or 4-star base, swivel (D) with painted aluminum seat and legs (PA)

YHB	black <input type="checkbox"/> A	+\$0
YHP	white <input type="checkbox"/> A	+\$0
HAA	ADAPTA grey <input type="checkbox"/> A	+\$240
HAB	ADAPTA white <input type="checkbox"/> A	+\$240
HAC	ADAPTA grey/green <input type="checkbox"/> A	+\$240
HAD	ADAPTA blue <input type="checkbox"/> A	+\$240

Chair_One *continued*

For concrete base (C) or concrete base, swivel (E) with painted aluminum seat/natural concrete base (PC)

YHB	black	<input type="checkbox"/> A	+\$0
YHM	red	<input type="checkbox"/> A	+\$0
YHP	white	<input type="checkbox"/> A	+\$0
HAA	ADAPTA grey	<input type="checkbox"/> A	+\$200
HAB	ADAPTA white	<input type="checkbox"/> A	+\$200
HAC	ADAPTA grey/green	<input type="checkbox"/> A	+\$200
HAD	ADAPTA blue	<input type="checkbox"/> A	+\$200

For black concrete base (F) or black concrete, swivel (G) with painted aluminum seat/black concrete base (PE)

YHB	black	<input type="checkbox"/> A	+\$0
------------	-------	----------------------------	------

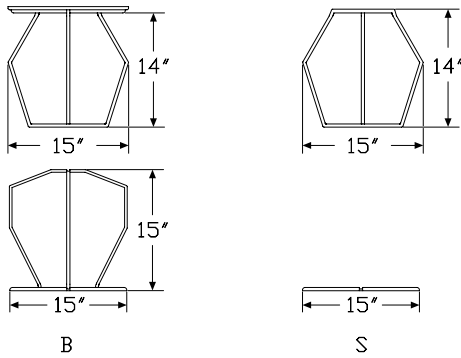


Product Information

Description

This cushion is available as a seat and back or seat only. Package contains 2 seat and back cushions or 2 seat cushions.

Dimensions



Specification Information

Step 1.

MGE90. A

Step 2. Type

S seat cushion A

B seat and back cushion A

Prices for Steps 1-2.

MGE90.S	\$338
B	\$521

Step 3. Fabric

For seat cushion (S)

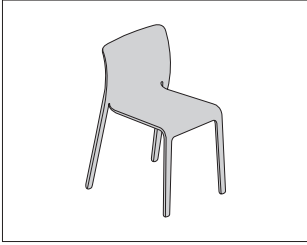
F-088 steelcut trio orange <input type="checkbox"/> A	+\$0
F-222 steelcut trio light blue <input type="checkbox"/> A	+\$0
F-266 steelcut trio beige <input type="checkbox"/> A	+\$0
F-354 steelcut trio green <input type="checkbox"/> A	+\$0
F-521 steelcut trio dark brown <input type="checkbox"/> A	+\$0
F-578 steelcut trio yellow <input type="checkbox"/> A	+\$0
F-741 steelcut trio light grey <input type="checkbox"/> A	+\$0
PN1 white polyurethane <input type="checkbox"/> A	+\$0
PN2 black polyurethane <input type="checkbox"/> A	+\$0
PN3 grey polyurethane <input type="checkbox"/> A	+\$0
PN4 blue polyurethane <input type="checkbox"/> A	+\$0
PN5 grey/green polyurethane <input type="checkbox"/> A	+\$0
YHC black leather <input type="checkbox"/> A	+\$264
YHK natural leather <input type="checkbox"/> A	+\$264

For seat and back cushion (B)

F-088 steelcut trio orange <input type="checkbox"/> A	+\$0
F-222 steelcut trio light blue <input type="checkbox"/> A	+\$0
F-266 steelcut trio beige <input type="checkbox"/> A	+\$0
F-354 steelcut trio green <input type="checkbox"/> A	+\$0
F-521 steelcut trio dark brown <input type="checkbox"/> A	+\$0
F-578 steelcut trio yellow <input type="checkbox"/> A	+\$0
F-741 steelcut trio light grey <input type="checkbox"/> A	+\$0
YHC black leather <input type="checkbox"/> A	+\$366
YHK natural leather <input type="checkbox"/> A	+\$366

Dressed First

MGX00.



Product Information

Description

This stacking chair is made from polyurethane foam covered with fabric. Package contains 2 chairs.

Dimensions

Specification Information

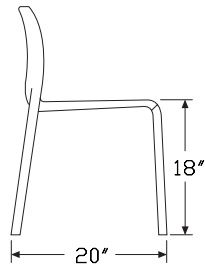
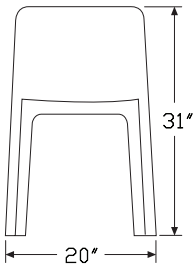
Step 1.

MGX00. A \$2307

Step 2. Fabric

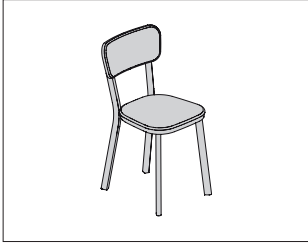
Price Category G +\$0

Price Category H +\$0



Deja-Vu Chair

MGD00.



Herman Miller Collection—Side & Stacking Chairs

Product Information

Description

This chair is available in polished or painted aluminum. Painted version is suitable for outdoor use.

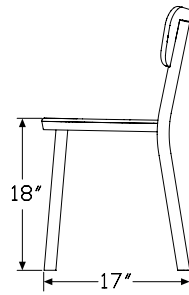
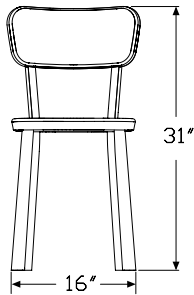
Notes

Seat and inner back material is die-cast aluminum. Legs are extruded aluminum.

Painted aluminum (PA) finish is suitable for outdoor use.

Polished aluminum (AL) finish is NOT suitable for outdoor use.

Dimensions



Specification Information

Step 1.

MGD00. A

Step 2. Finish

AL polished aluminum A

PA painted aluminum

Prices for Steps 1-2.

MGD00.AL	\$755
PA	\$809

Step 3. Leg/Seat/Back Finish

For polished aluminum (AL)

YFD polished aluminum A +\$0

For painted aluminum (PA)

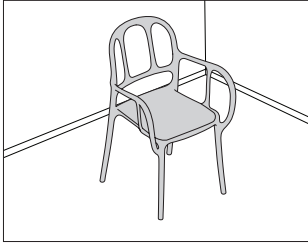
YFB black A +\$0

YLT red purple A +\$0

YLV sand beige A +\$0

Mila Chair

XXSD2

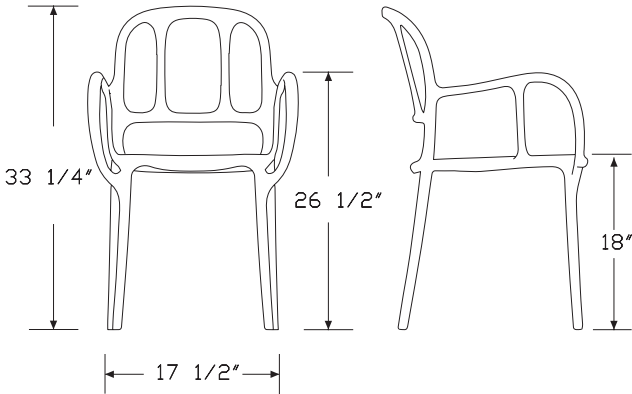
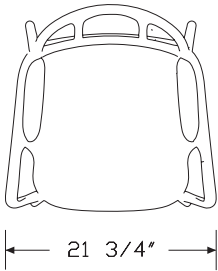


Product Information

Description

This stacking plastic chair is suitable for indoor or outdoor use. Stacks up to 6 high. Package contains 2 chairs.

Dimensions



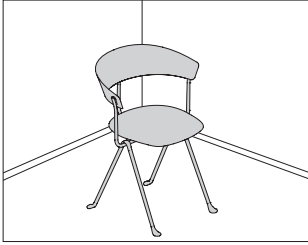
Specification Information

Step 1.

XXSD2100 A \$778

Step 2. Finish

1484C red A +\$0
1556C dark green A +\$0
1666C yellow A +\$0
1733C beige A +\$0
1738C white A +\$0
1769C black A +\$0

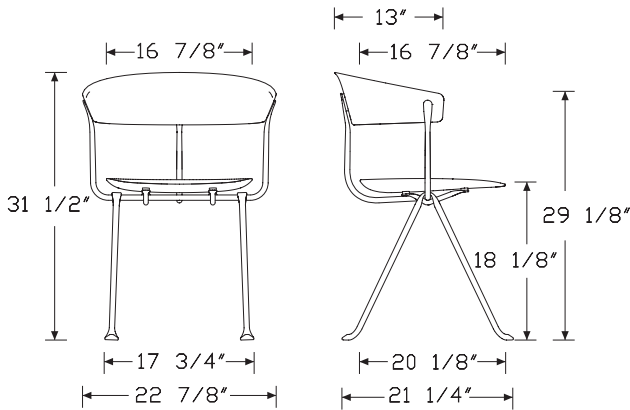


Product Information

Description

This chair has a wrought iron frame available in a galvanized or painted grey anthracite finish. The seat and back are available in polypropylene, beech plywood, fabric or leather. Chair sold individually. Ships assembled.

Dimensions



Specification Information

Step 1.

SD205X A

Step 2. Seat and Back

- F** fabric upholstery A
- L** leather upholstery A
- P** polypropylene A
- W** plywood A

Prices for Steps 1-2.

SD205X F	\$1789
L	\$1849
P	\$749
W	\$1489

Step 3. Frame Finish

- GLV** galvanized A +\$0
- YCB** grey anthracite A +\$0

Step 4. Seat and Back Finish

For polypropylene (P)

- DKG** dark green A +\$0
- MTG** metallized grey A +\$0
- YCB** grey anthracite A +\$0

For leather upholstery (L)

- BLK** black A +\$0
- YNL** natural A +\$0

For plywood (W)

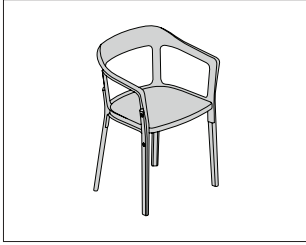
- YNC** natural beech A +\$0
- YNM** black beech A +\$0

For fabric upholstery (F)

- Price Category G +\$0
- Price Category H +\$0

Steelwood Chair

MGS00.

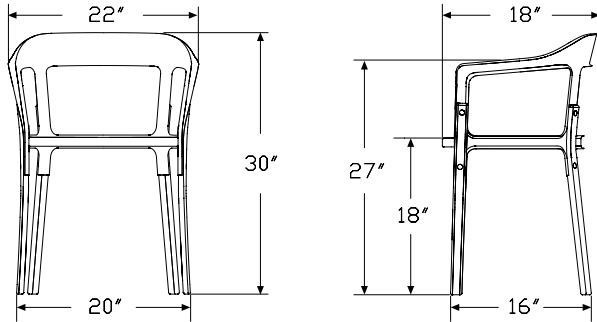


Product Information

Description

The frame of this chair with arms is a steel plate painted in epoxy resin. The legs and seat are solid beech or oak, available in natural and painted.

Dimensions



Specification Information

Step 1.

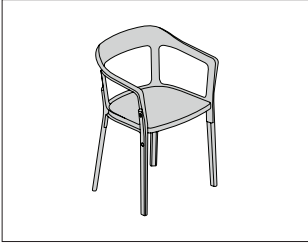
MGS00. \$835

Step 2. Legs/Seat/Frame Finish

YHH	grey anthracite <input type="checkbox"/> A	+\$0
YMB	black <input type="checkbox"/> A	+\$0
YMF	white <input type="checkbox"/> A	+\$0
YMK	natural beech and black <input type="checkbox"/> A	+\$0
YMP	grey <input type="checkbox"/> A	+\$0
YMM	natural beech and white	+\$0
YNN	walnut-stained beech and black	+\$0
YNP	dark beech and black <input type="checkbox"/> A	+\$0
YNQ	natural oak and white <input type="checkbox"/> A	+\$100
YNR	natural oak and black	+\$100
YNS	natural oak and grey <input type="checkbox"/> A	+\$100
YNT	dark oak and grey anthracite <input type="checkbox"/> A	+\$100

Steelwood Upholstered Chair

MGS00.



Herman Miller Collection—Side & Stacking Chairs

Product Information

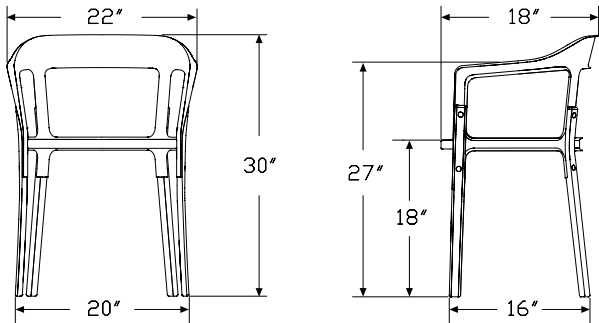
Description

The frame of this chair with arms is a steel plate painted in epoxy resin. The legs are solid beech, painted, and the seat is polypropylene upholstered in Kvadrat Divina MD.

Notes

This chair meets CAL 133 requirements.

Dimensions



Specification Information

Step 1.

MGS00.U A \$895

Step 2. Legs/Seat/Frame Finish

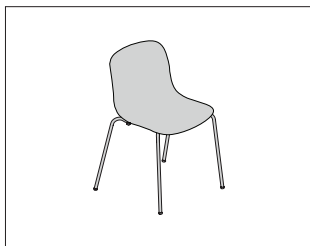
YMB black A +\$0

Step 3. Fabric

Price Category H +\$0

Troy Plastic Chair

MGY08.

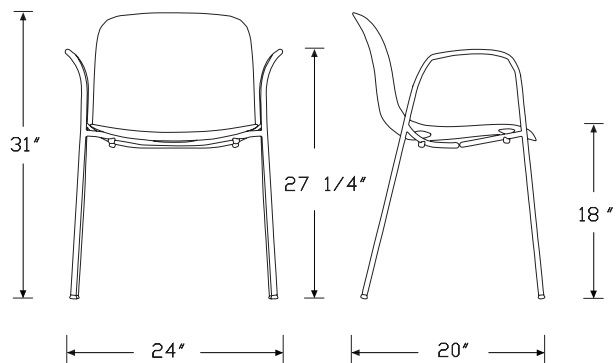


Product Information

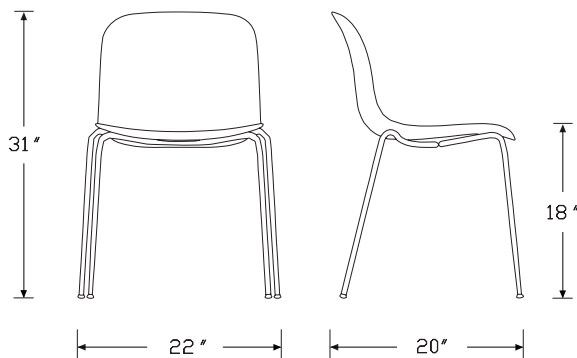
Description

The frame of this stacking chair is steel tube available in chrome or painted, or wood available in black or natural. The seat and back are plastic. Available with or without arms. Chairs with metal frame can stack up to 6 high. Wood frame chairs cannot stack. Package contains 2 chairs.

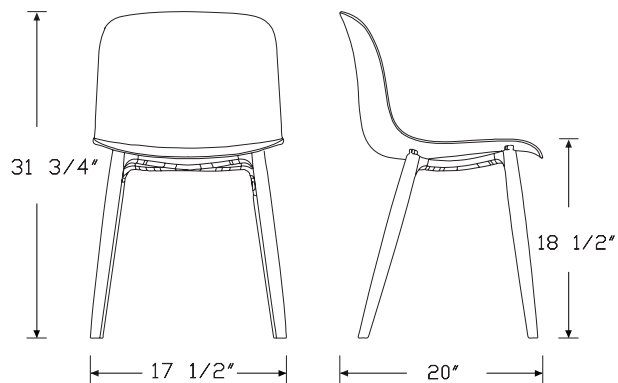
Dimensions



Steel frame with arms



Steel frame no arms



Wood frame

Troy Plastic Chair *continued*

Specification Information

Step 1.

MGY08.

Step 2. Frame

- P** painted frame no arms
- PA** painted frame with arms
- C** chrome frame no arms
- CA** chrome frame with arms
- BW** black wood frame no arms
- NW** natural wood frame no arms

Prices for Steps 1-2.

MGY08.P	\$803
PA	\$1026
C	\$885
CA	\$1163
BW	\$985
NW	\$985

Step 3. Seat Finish

For painted frame no arms (P) or painted frame with arms (PA)

YR2 white/white	+\$0
YR3 white/black	+\$0
YR4 white/coral red	+\$0
YR5 white/dark green	+\$0
YR6 white/beige	+\$0
YR7 white/pink	+\$0
YR8 white/brown	+\$0
YS2 black/white	+\$0
YS3 black/black	+\$0
YS4 black/coral red	+\$0
YS5 black/dark green	+\$0
YS6 black/beige	+\$0
YS7 black/pink	+\$0
YS8 black/brown	+\$0

For chrome frame no arms (C), chrome frame with arms (CA), or natural wood frame no arms (NW)

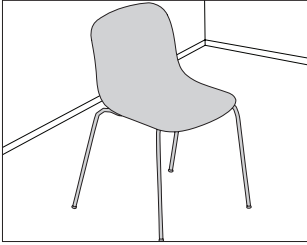
YNG black	+\$0
YNJ white	+\$0
YN2 coral red	+\$0
YN3 dark green	+\$0
YN4 beige	+\$0
YN5 pink	+\$0
YN6 brown	+\$0

For black wood frame no arms (BW)

YNG black	+\$0
------------------	------

Troy Upholstered Chair

MGY01.

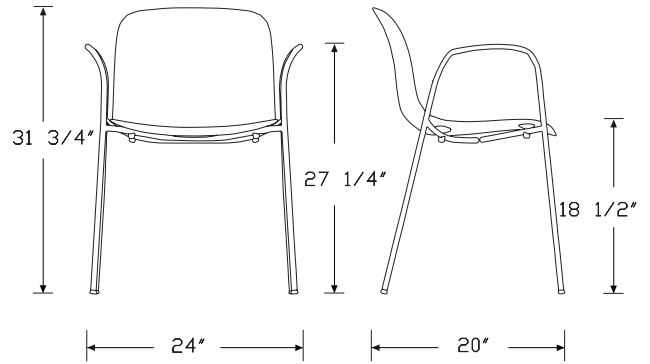


Product Information

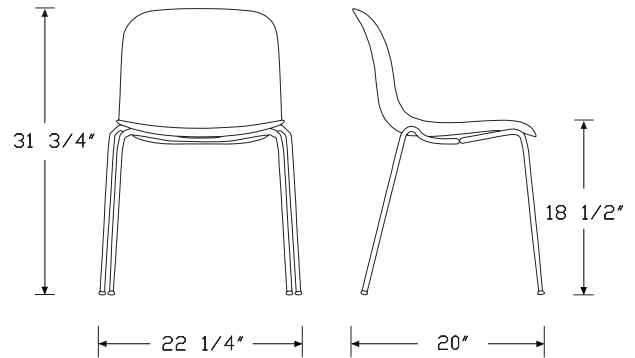
Description

This side chair has a steel tube frame available in chrome or painted in white or black, or a wood frame available in black or natural. The plastic seat and back are upholstered in fabric. Available with or without arms. Chairs with metal frame can stack up to 6 high. Wood frame chairs cannot stack. Package contains 2 chairs.

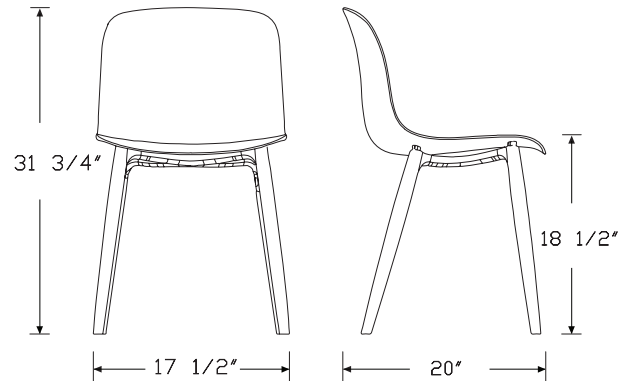
Dimensions



Steel frame with arms



Steel frame no arms



Wood frame

Troy Upholstered Chair *continued*

Specification Information

Step 1.

MGY01. A

Step 2. Frame Type

N metal frame no arms A

A metal frame with arms A

W wood frame no arms A

Prices for Steps 1-2.

MGY01.N	\$2109
A	\$2339
W	\$2209

Step 3. Frame Finish

For metal frame no arms (N) or metal frame with arms (A)

YNG black A +\$0

YNJ white A +\$0

YNK chrome A +\$0

For wood frame no arms (W)

BW black wood A +\$0

NW natural wood A +\$0

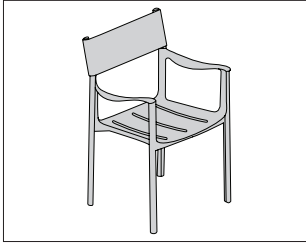
Step 4. Fabric

Price Category G +\$0

Price Category H +\$0

Venice Chair

MGU00.



Product Information

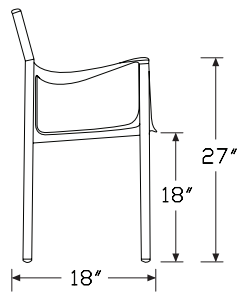
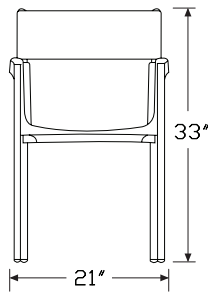
Description

This stacking chair with arms has a seat of die-cast aluminum, polished or painted in polyester powder. Legs are extruded aluminum, polished or painted in polyester powder. Back is thermoplastic rubber or leather. Chairs stack up to 6 high. Painted frame is suitable for outdoor use. Sold in sets of 2 only.

Notes

Polished (YCD) frame is NOT suitable for outdoor use.

Dimensions



Specification Information

Step 1.

MGU00. A \$1431

Step 2. Frame Finish

YNG black A +\$0

YCD polished A +\$1300

Step 3. Seat Finish

For black (YNG)

YBC black A +\$0

YMP grey A +\$0

YBH green A +\$0

YMN light blue A +\$0

YBG fuchsia A +\$0

YBM orange A +\$0

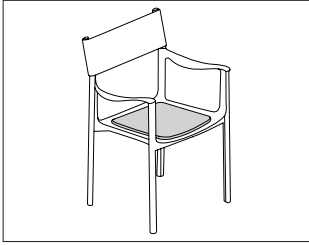
For polished (YCD)

YHC black leather A +\$0

YHK natural leather A +\$0

Venice Cushion

MGU90.



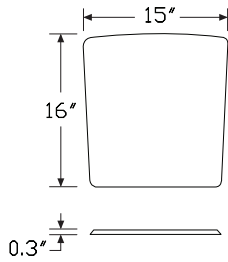
Herman Miller Collection—Side & Stacking Chairs

Product Information

Description

This seat cushion is expanded polyethylene covered in fabric.

Dimensions



Specification Information

Step 1.

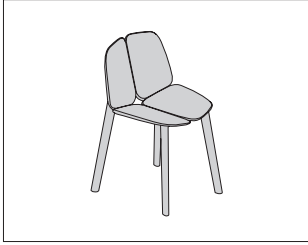
MGU90. A \$401

Step 2. Seat Finish

YBC	black A	+\$0
YB7	dark grey A	+\$0
YBF	dark green A	+\$0
YGF	blue A	+\$0
YLB	dark purple A	+\$0
YB8	brick red A	+\$0
YHC	black leather A	+\$50
YHK	natural leather A	+\$50

Osso Chair

MGJ00.



Product Information

Description

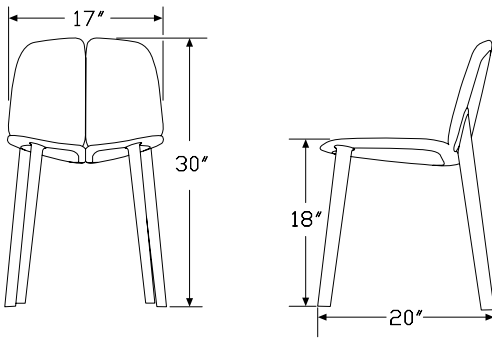
This solid wood side chair is available in an ash or oak frame.

Notes

Chairs are not stackable.

Upholstery not shown.

Dimensions



Specification Information

Step 1.

MGJ00. A

Step 2. Upholstery

N no upholstery A

U upholstered seat A

Prices for Steps 1-2.

MGJ00. N	\$1444
U	\$2200

Step 3. Frame Finish

YSB black wax ash <input type="checkbox"/> A	+\$0
YSC blue wax ash <input type="checkbox"/> A	+\$0
YSD green wax ash <input type="checkbox"/> A	+\$0
YSF dark grey wax ash <input type="checkbox"/> A	+\$0
YSG natural wax ash <input type="checkbox"/> A	+\$0
YSH pink wax ash <input type="checkbox"/> A	+\$0
YSJ white wax ash <input type="checkbox"/> A	+\$0
YSL natural wax oak <input type="checkbox"/> A	+\$187

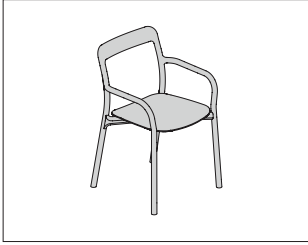
Step 4. Fabric

For upholstered seat (U)

YGR01 gravel 139 <input type="checkbox"/> A	+\$0
YGR02 gravel 149 <input type="checkbox"/> A	+\$0
YGR03 gravel 179 <input type="checkbox"/> A	+\$0

Branca Chair

MGR00.



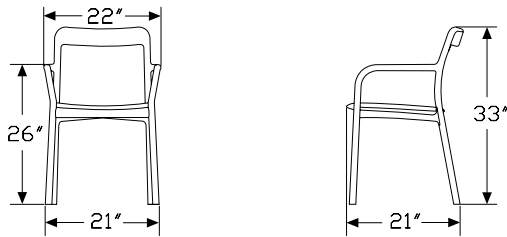
Herman Miller Collection—Side & Stacking Chairs

Product Information

Description

This solid wood chair with armrests is available with a solid ash frame. Chairs can stack up to 3 high.

Dimensions



Specification Information

Step 1.

MGR00. A

Step 2. Upholstery

N no upholstery A

U upholstered seat A

Prices for Steps 1-2.

MGR00.N	\$1595
U	\$2145

Step 3. Frame Finish

YRC	chocolate/natural seat ash <input type="checkbox"/> A	+\$0
YRD	green wax ash <input type="checkbox"/> A	+\$0
YRF	natural wax ash <input type="checkbox"/> A	+\$0
YRG	white anilin ash <input type="checkbox"/> A	+\$0
YRH	black mat anilin ash <input type="checkbox"/> A	+\$0

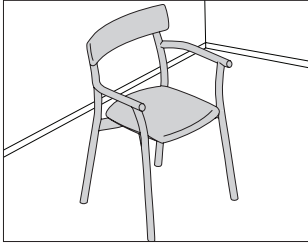
Step 4. Fabric

For upholstered seat (U)

YDF01	nord wool black/dark grey thread <input type="checkbox"/> A	+\$0
YDF02	nord wool grey/white thread <input type="checkbox"/> A	+\$0
YDF03	nord wool lime/dark grey thread <input type="checkbox"/> A	+\$0
YDF04	nord wool orange/white thread <input type="checkbox"/> A	+\$0
YNV01	novum cocos <input type="checkbox"/> A	+\$200
YNV02	novum rosewood <input type="checkbox"/> A	+\$200
YNV03	novum moss <input type="checkbox"/> A	+\$200
YNV04	novum lanoso <input type="checkbox"/> A	+\$200
YNV05	novum pepper <input type="checkbox"/> A	+\$200

Chiaro Chair

MGCH00

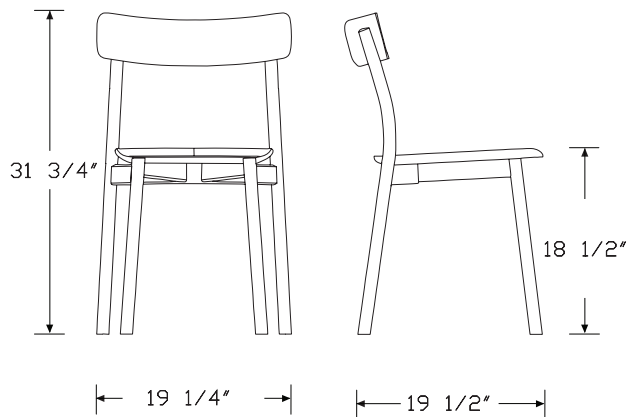
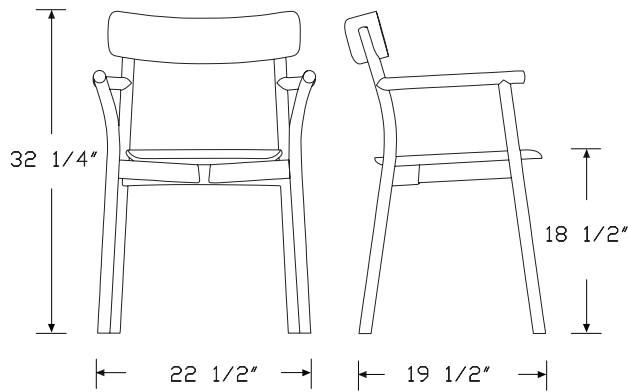


Product Information

Description

This chair has an ash or oak frame with or without arms. It comes in 7 finishes and stacks 3 high. A nonremovable upholstered seat pad is optional.

Dimensions



Specification Information

Step 1.

MGCH00. A

Step 2. Arms

N no arms A

A arms A

Step 3. Upholstery

N no upholstery A

U upholstered seat A

Prices for Steps 1-3.

	N	U
MGCH00. N	\$850	1350
A	\$1095	1595

Step 4. Frame

YSA ash A +\$0

YFC oak A +\$150

Step 5. Finish

For ash (YSA)

YBC black A +\$0

YBP white A +\$0

YDC blue A +\$0

YLW yellow A +\$0

YMP grey A +\$0

YNL natural A +\$0

YRK dark red A +\$0

For oak (YFC)

YNL natural A +\$0

Chiaro Chair *continued*

Step 6. Fabric

For upholstered seat (U)

YNV04	novum lanoso	<input type="checkbox"/> A	+\$0
YNV06	novum sunset	<input type="checkbox"/> A	+\$0
YNV07	novum curry	<input type="checkbox"/> A	+\$0
YNV08	novum ebony	<input type="checkbox"/> A	+\$0
YNV09	novum azur	<input type="checkbox"/> A	+\$0
YNV10	novum coral	<input type="checkbox"/> A	+\$0
YNV11	novum kies	<input type="checkbox"/> A	+\$0
YNV13	novum magenta	<input type="checkbox"/> A	+\$0
YNV14	novum prune	<input type="checkbox"/> A	+\$0
YNV15	novum samoa	<input type="checkbox"/> A	+\$0
YNV16	novum snow	<input type="checkbox"/> A	+\$0
YNV17	novum amur	<input type="checkbox"/> A	+\$0

He Said Chair

MGH00.

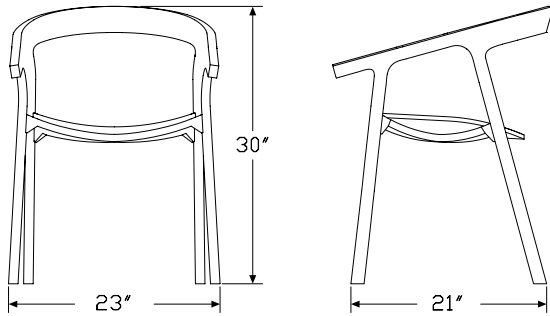


Product Information

Description

This solid wood chair with armrests is available in a solid ash frame. Chairs can stack up to 2 high.

Dimensions



Specification Information

Step 1.

MGH00.

Step 2. Upholstery

N no upholstery

U upholstered seat

Prices for Steps 1-2.

MGH00.N	\$1725
U	\$2474

Step 3. Frame Finish

YQB black anilin ash <input type="checkbox"/>	+\$0
YRG white anilin ash <input type="checkbox"/>	+\$0
ZQ5 anilin ash neon blue <input type="checkbox"/>	+\$0
YQC natural ash <input type="checkbox"/>	+\$53

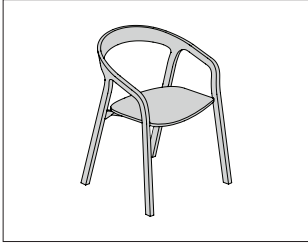
Step 4. Fabric

For upholstered seat (U)

YDG01 topia ebony <input type="checkbox"/>	+\$0
YDG02 topia anthrazit <input type="checkbox"/>	+\$0
YDG03 topia chrome <input type="checkbox"/>	+\$0
YDG04 topia moon <input type="checkbox"/>	+\$0
YDG05 topia snow <input type="checkbox"/>	+\$0
YDG06 topia orion <input type="checkbox"/>	+\$0
YDG07 topia azur <input type="checkbox"/>	+\$0
YDG08 topia seashell <input type="checkbox"/>	+\$0
YDG09 topia litchi <input type="checkbox"/>	+\$0
YDG10 topia heart <input type="checkbox"/>	+\$0

She Said Chair

MGH01.



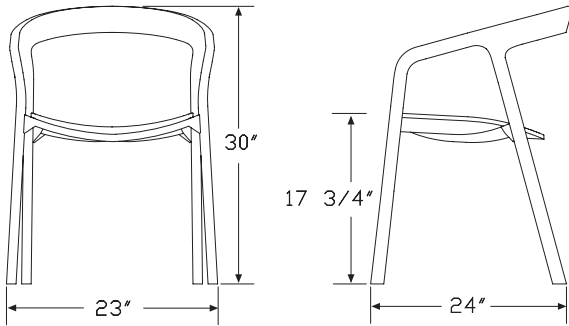
Herman Miller Collection—Side & Stacking Chairs

Product Information

Description

This solid wood chair with armrests is available in a solid ash frame. Chairs can stack up to 2 high.

Dimensions



Specification Information

Step 1.

MGH01.

Step 2. Upholstery

N no upholstery

U upholstered seat

Prices for Steps 1-2.

MGH01.N	\$1725
U	\$2474

Step 3. Frame Finish

YQB black anilin ash <input type="checkbox"/>	+\$0
YRG white anilin ash <input type="checkbox"/>	+\$0
ZQ5 anilin ash neon blue <input type="checkbox"/>	+\$0
YQC natural ash <input type="checkbox"/>	+\$53

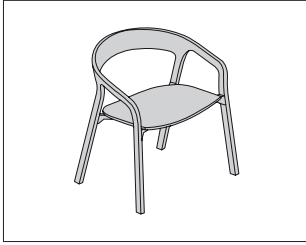
Step 4. Fabric

For upholstered seat (U)

YDG01 topia ebony <input type="checkbox"/>	+\$0
YDG02 topia anthrazit <input type="checkbox"/>	+\$0
YDG03 topia chrome <input type="checkbox"/>	+\$0
YDG04 topia moon <input type="checkbox"/>	+\$0
YDG05 topia snow <input type="checkbox"/>	+\$0
YDG06 topia orion <input type="checkbox"/>	+\$0
YDG07 topia azur <input type="checkbox"/>	+\$0
YDG08 topia seashell <input type="checkbox"/>	+\$0
YDG09 topia litchi <input type="checkbox"/>	+\$0
YDG10 topia heart <input type="checkbox"/>	+\$0

She Said Lowide Chair

MGH02.

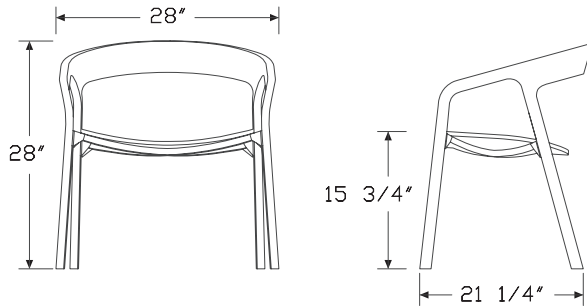


Product Information

Description

This solid wood chair with armrests is available in an ash frame. Chairs can stack up to 2 high.

Dimensions



Specification Information

Step 1.

MGH02.

Step 2. Upholstery

N no upholstery

U upholstered seat

Prices for Steps 1-2.

MGH02.N	\$2195
U	\$3049

Step 3. Frame Finish

YQB black anilin ash <input type="checkbox"/>	+\$0
YRG white anilin ash <input type="checkbox"/>	+\$0
ZQ5 anilin ash neon blue <input type="checkbox"/>	+\$0
YQC natural ash <input type="checkbox"/>	+\$60

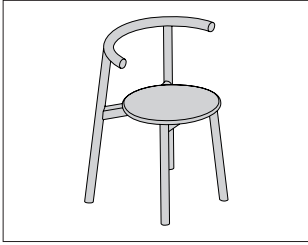
Step 4. Fabric

For upholstered seat (U)

YDG01 topia ebony <input type="checkbox"/>	+\$0
YDG02 topia anthrazit <input type="checkbox"/>	+\$0
YDG03 topia chrome <input type="checkbox"/>	+\$0
YDG04 topia moon <input type="checkbox"/>	+\$0
YDG05 topia snow <input type="checkbox"/>	+\$0
YDG06 topia orion <input type="checkbox"/>	+\$0
YDG07 topia azur <input type="checkbox"/>	+\$0
YDG08 topia seashell <input type="checkbox"/>	+\$0
YDG09 topia litchi <input type="checkbox"/>	+\$0
YDG10 topia heart <input type="checkbox"/>	+\$0

Solo Chair

MGZ00.



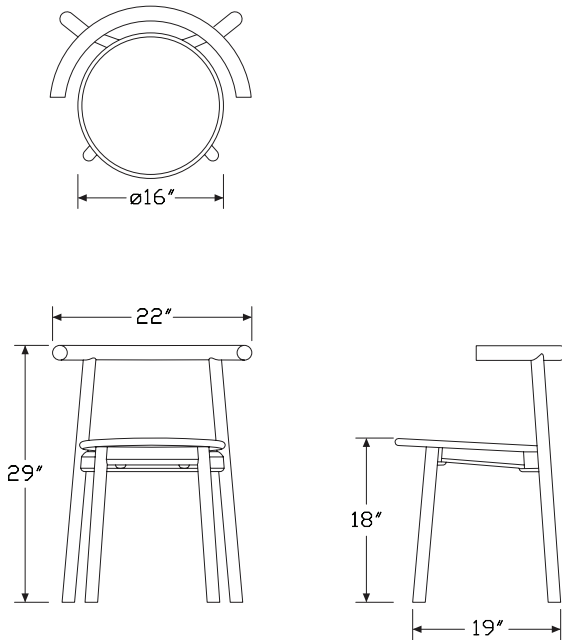
Herman Miller Collection—Side & Stacking Chairs

Product Information

Description

This solid wood chair is available in an ash or oak frame.

Dimensions



Specification Information

Step 1.

MGZ00.

Step 2. Upholstery

N no upholstery

S upholstered seat

Prices for Steps 1-2.

MGZ00.N	\$783
S	\$995

Step 3. Frame Finish

ZQ1	dark red anilin ash <input type="checkbox"/>	+\$0
ZQ2	natural ash <input type="checkbox"/>	+\$0
ZQ3	anilin ash blue/black <input type="checkbox"/>	+\$0
ZQ4	anilin ash white <input type="checkbox"/>	+\$0
ZQ5	anilin ash neon blue <input type="checkbox"/>	+\$0
ZQ6	anilin ash turquoise <input type="checkbox"/>	+\$0
ZQ7	natural oak waxed <input type="checkbox"/>	+\$150

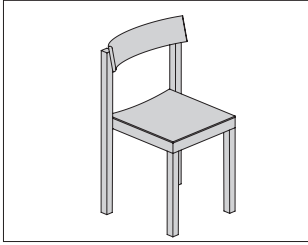
Step 4. Seat Fabric

For upholstered seat (S)

YDD13	white <input type="checkbox"/>	+\$0
YDD14	red <input type="checkbox"/>	+\$0
YDD16	dark grey <input type="checkbox"/>	+\$0
YDD17	black blue <input type="checkbox"/>	+\$0
YDD19	green <input type="checkbox"/>	+\$0

Primo Chair

MC14C.

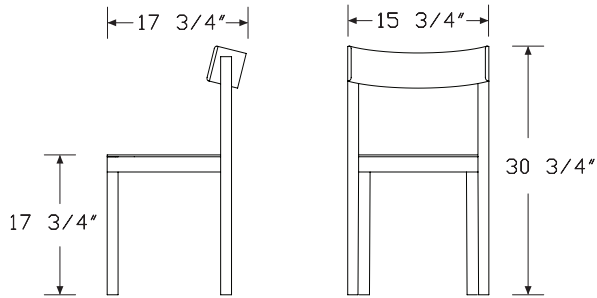


Product Information

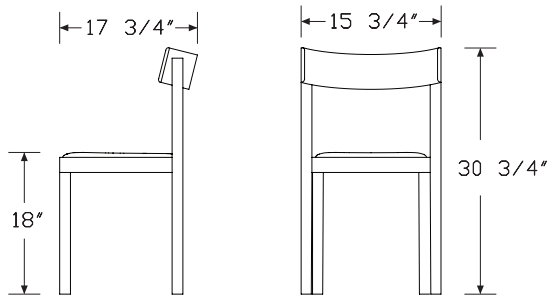
Description

This solid wood chair has a beech or oak frame. Oak has the option of an upholstered seat. Stacks up to 3 high.

Dimensions



Non-upholstered Seat



Upholstered Seat

Specification Information

Step 1.

MC14C.

Step 2. Upholstery

- N** no upholstery
- U** upholstered seat A

Prices for Steps 1-2.

MC14C.N	\$630
U	\$1100

Step 3. Frame Finish

For no upholstery (N)

YNC natural beech	+\$0
YRB black beech	+\$0
YGP gold beech <input type="checkbox"/> A	+\$310

For upholstered seat (U)

YFC natural oak	+\$200
------------------------	--------

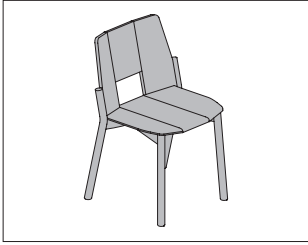
Step 4. Fabric

For upholstered seat (U)

SL508 sweet leather 508 <input type="checkbox"/> A	+\$0
SL510 sweet leather 510 <input type="checkbox"/> A	+\$0
SL512 sweet leather 512 <input type="checkbox"/> A	+\$0
SLN41 sweet leather N41 <input type="checkbox"/> A	+\$0
YLJ dani acquario cuoio leather <input type="checkbox"/> A	+\$180
YLK dani acquario marrone 6030 leather <input type="checkbox"/> A	+\$180
YLN dani acquario t. moro leather <input type="checkbox"/> A	+\$180
YLP dani acquario anthracite leather <input type="checkbox"/> A	+\$180

Tronco Stacking Chair

MGK01.



Herman Miller Collection—Side & Stacking Chairs

Product Information

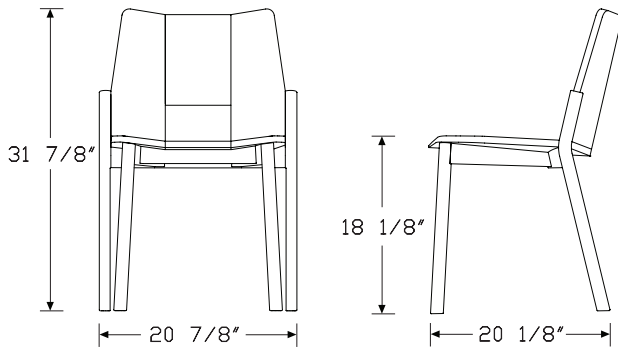
Description

This chair is available in Mattiazzi's standard ash as well as olive ash, in a variety of finishes. Chairs can stack up to 5 high or up to 10 high on the appropriate dolly.

Notes

Order Tronco dolly (MGK99.) separately.

Dimensions



Specification Information

Step 1.

MGK01. \$899

Step 2. Frame

OLA olive ash +\$0
YSA ash +\$0

Step 3. Finish

For olive ash (OLA)

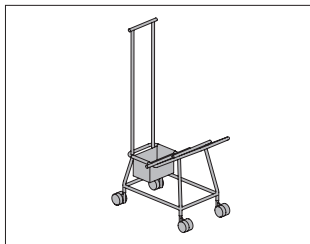
YNL natural +\$0

For ash (YSA)

CNS chestnut stained +\$0
WNS walnut stained +\$0
YBC black +\$0
YBP white +\$0
YNL natural +\$0
YRL red +\$0

Tronco Dolly

MGK99.

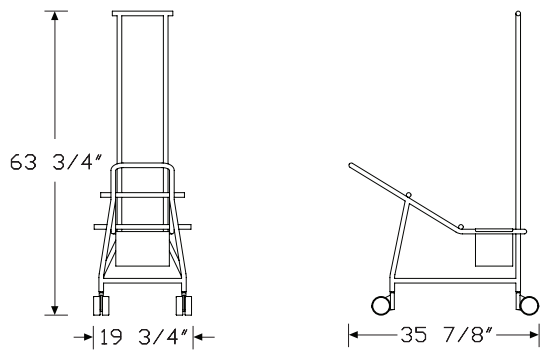


Product Information

Description

This dolly holds up to 10 Tronco chairs. Powder coated finish.

Dimensions



Specification Information

Step 1.

MGK99. A \$1850

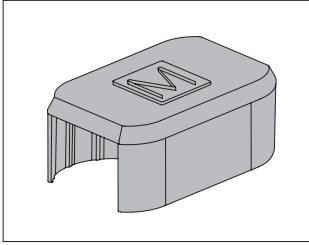
Step 2. Finish

YBC black A +\$0

YBP white A +\$0

Tronco Connector

MGK91.

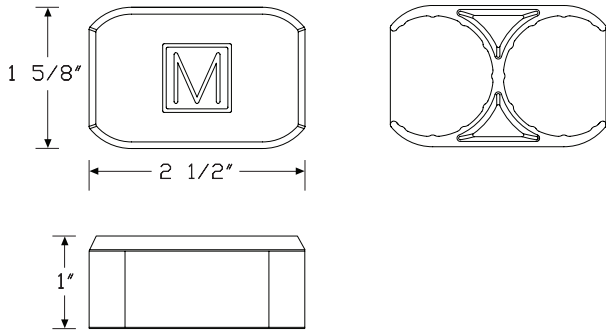


Herman Miller Collection—Side & Stacking Chairs

Product Information

Description
This plastic connector joins 2 Tronco chairs and comes in a matte finish.

Dimensions



Specification Information

Step 1.		
MGK91.	<input type="checkbox"/> A	\$49
Step 2. Finish		
YBC	black <input type="checkbox"/> A	+\$0
YRL	red <input type="checkbox"/> A	+\$0

Uncino Chair, Version A

MC9A.

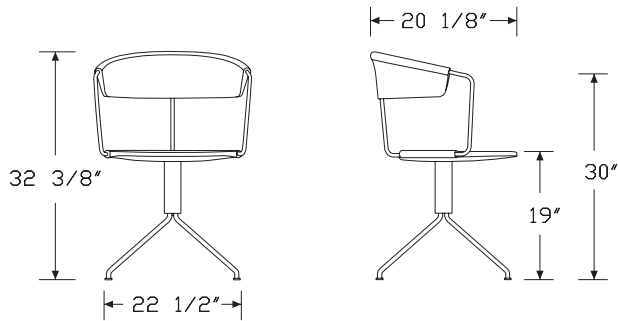


Product Information

Description

This wood chair is available with an ash back and seat.

Dimensions



Specification Information

Step 1.

MC9A. A \$2650

Step 2. Finish

YQB black anilin ash A +\$0

YQC natural ash A +\$0

Uncino Chair, Version B

MC9B.



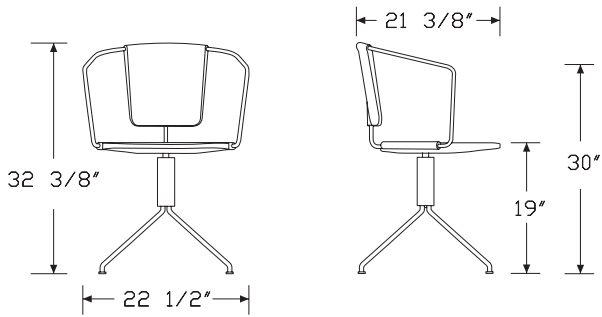
Herman Miller Collection—Side & Stacking Chairs

Product Information

Description

This wood chair is available with an ash or oak back and seat.

Dimensions



Specification Information

Step 1.

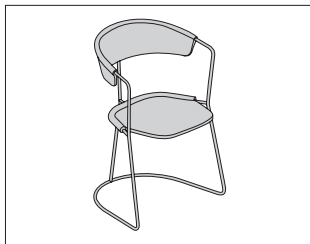
MC9B. [A] \$2340

Step 2. Finish

YQB black anilin ash [A] +\$0
YQC natural ash [A] +\$0
YFC natural oak [A] +\$200

Uncino Chair, Version C

MC9C.

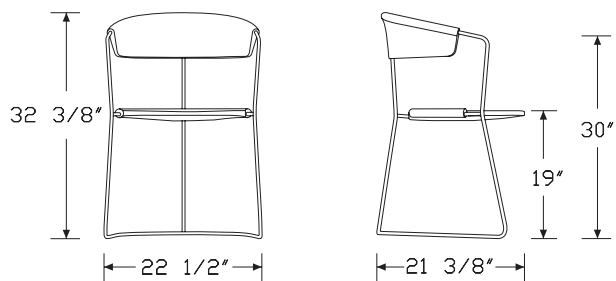


Product Information

Description

This wood chair is available with an ash back and seat.

Dimensions



Specification Information

Step 1.

MC9C. A \$2090

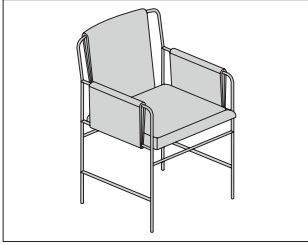
Step 2. Finish

YQB black anilin ash A +\$0

YQC natural ash A +\$0

Envelope® Chair

SBEV-



Herman Miller Collection—Side & Stacking Chairs

Product Information

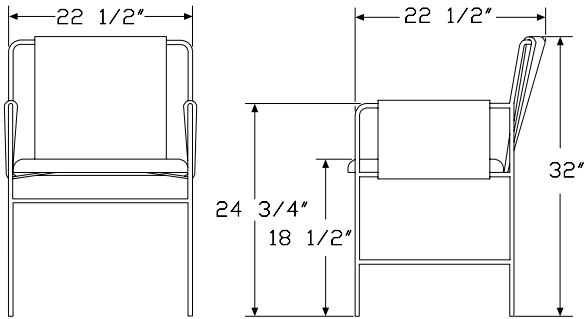
Description

This chair has a welded tubular steel frame. The seat is foam and Dacron® over plywood.

Notes

Customers Own Material (COM) requires 2½ yards. Customers Own Leather (COL) requires 40 square feet. See Order Information in Appendices.

Dimensions



Specification Information

Step 1.

SBEV-1020 A \$1419

Step 2. Upholstery

Price Category (Geiger) 1	+\$101
Price Category 1	+\$0
Price Category (Geiger) 2	+\$0
Price Category 2	+\$122
Price Category (Geiger) 3	+\$153
Price Category 3	+\$153
Price Category (Geiger) 4	+\$186
Price Category 4	+\$186
Price Category (Geiger) 5	+\$271
Price Category 5	+\$271
Price Category (Geiger) 6	+\$356
Price Category (Geiger) 7	+\$441
Price Category (Geiger) 8	+\$675
Price Category (Geiger) 9	+\$838
Price Category 9	+\$838
Price Category (Geiger) 10	+\$964
Price Category (Geiger) 11	+\$1080
Price Category (Geiger) A	+\$128
Price Category (Geiger) B	+\$140
Price Category (Geiger) C	+\$151
Price Category (Geiger) D	+\$175
Price Category (Geiger) E	+\$197
Price Category (Geiger) F	+\$221
Price Category (Geiger) G	+\$244
Price Category (Geiger) H	+\$267
Price Category (Geiger) I	+\$539
Price Category (Geiger) J	+\$302
Price Category (Geiger) K	+\$336
Price Category (Geiger) L	+\$371
Price Category (Geiger) M	+\$418
Price Category (Geiger) N	+\$464
Price Category (Geiger) O	+\$1095
Price Category (Geiger) P	+\$510
Price Category (Geiger) Q	+\$1030
Price Category (Geiger) R	+\$1906
Price Category (Geiger) S	+\$2048
Price Category (Geiger) T	+\$2189
Price Category (Geiger) U	+\$2331
Price Category (Geiger) V	+\$2472
Price Category (Geiger) COM A	+\$0
Price Category (Geiger) COL A	+\$180

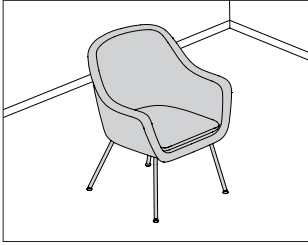
Envelope® Chair *continued*

Step 3. Base Finish		
CHR	chrome <input type="checkbox"/>	+\$0
SAC	satin chrome <input type="checkbox"/>	+\$0

Step 4. Fire Retardancy		
NOCAL	not fire retardant <input type="checkbox"/>	+\$0
133	fire retardant <input type="checkbox"/>	+\$163

Bumper Side Chair

SBRLN



Herman Miller Collection—Side & Stacking Chairs

Product Information

Description

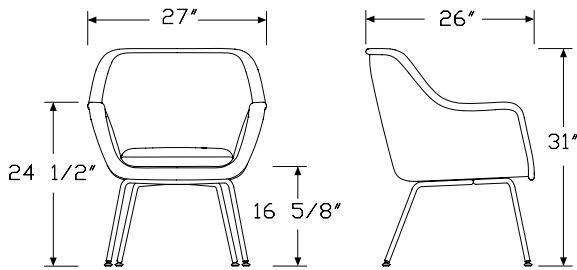
This side chair has upholstered inner and outer shells and arm cap, each made from one continuous piece of fabric or leather. It has an upholstered seat cushion. The frame is rigid molded urethane with foam inserts. The 4-leg base is plated steel, available in chrome.

Notes

Customers Own Material (COM) requires 2½ yards for the shell inside and outside, an additional 1¾ yards for the arm cap and cushion, or 4¼ yards when specify entire chair in the same fabric. See Order Information in Appendices.

Customers Own Leather (COL) requires 45 square feet for the shell inside and outside, an additional 31½ square feet for the arm cap and cushion, or 76½ yards when specify entire chair in the same leather. See Order Information in Appendices.

Dimensions



Specification Information

Step 1.

SBRLN A \$1875

Step 2. Shell Upholstery

Price Category 1	+\$0
Price Category (Geiger) 2	+\$0
Price Category 2	+\$122
Price Category (Geiger) 3	+\$153
Price Category 3	+\$153
Price Category (Geiger) 4	+\$186
Price Category 4	+\$186
Price Category (Geiger) 5	+\$271
Price Category 5	+\$271
Price Category (Geiger) 6	+\$356
Price Category (Geiger) 7	+\$441
Price Category (Geiger) 8	+\$675
Price Category (Geiger) 9	+\$838
Price Category 9	+\$838
Price Category (Geiger) 10	+\$964
Price Category (Geiger) 11	+\$1080
Price Category 11	+\$1080
Price Category (Geiger) 14	+\$0
Price Category (Geiger) C	+\$137
Price Category (Geiger) D	+\$181
Price Category (Geiger) E	+\$220
Price Category (Geiger) F	+\$263
Price Category (Geiger) G	+\$359
Price Category (Geiger) H	+\$446
Price Category (Geiger) I	+\$539
Price Category (Geiger) J	+\$632
Price Category (Geiger) K	+\$725
Price Category (Geiger) L	+\$817
Price Category (Geiger) M	+\$910
Price Category (Geiger) O	+\$1095
Price Category (Geiger) P	+\$1185
Price Category (Geiger) Q	+\$1368
Price Category (Geiger) R	+\$1906
Price Category (Geiger) S	+\$2048
Price Category (Geiger) X	+\$2756
Price Category (Geiger) Y	+\$2898
Price Category (Geiger) COL A	+\$135
Price Category (Geiger) COM A	+\$0

Bumper Side Chair *continued*

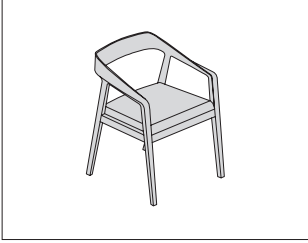
Step 3. Arm Cap and Cushion Upholstery	
Price Category 1	+\$0
Price Category (Geiger) 2	+\$0
Price Category 2	+\$85
Price Category (Geiger) 3	+\$107
Price Category 3	+\$0
Price Category (Geiger) 4	+\$130
Price Category 4	+\$130
Price Category (Geiger) 5	+\$190
Price Category 5	+\$190
Price Category (Geiger) 6	+\$250
Price Category (Geiger) 7	+\$308
Price Category (Geiger) 8	+\$473
Price Category (Geiger) 9	+\$587
Price Category 9	+\$587
Price Category (Geiger) 10	+\$675
Price Category (Geiger) 11	+\$755
Price Category 11	+\$755
Price Category (Geiger) 14	+\$0
Price Category (Geiger) C	+\$96
Price Category (Geiger) D	+\$127
Price Category (Geiger) E	+\$154
Price Category (Geiger) F	+\$185
Price Category (Geiger) G	+\$251
Price Category (Geiger) H	+\$313
Price Category (Geiger) I	+\$377
Price Category (Geiger) J	+\$442
Price Category (Geiger) K	+\$507
Price Category (Geiger) L	+\$572
Price Category (Geiger) M	+\$637
Price Category (Geiger) O	+\$767
Price Category (Geiger) P	+\$830
Price Category (Geiger) Q	+\$957
Price Category (Geiger) R	+\$1334
Price Category (Geiger) S	+\$1433
Price Category (Geiger) X	+\$1930
Price Category (Geiger) Y	+\$2029
Price Category (Geiger) COM <input type="checkbox"/>	+\$0
Price Category (Geiger) COL <input type="checkbox"/>	+\$306

Step 4. Base Finish	
SAC satin chrome <input type="checkbox"/>	+\$0

Step 5. Fire Retardancy	
NOCAL not fire retardant <input type="checkbox"/>	+\$0
133 fire retardant <input type="checkbox"/>	+\$276

Full Twist™ Guest Chair

SFT1A
SFT1M
SFT1N
SFT1W



Product Information

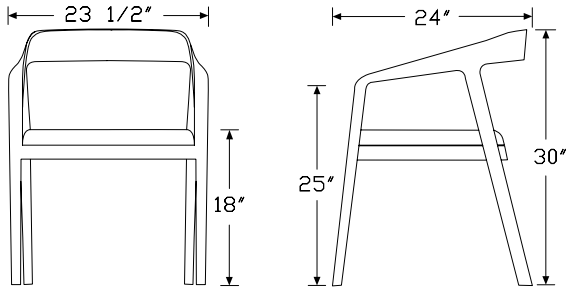
Description

This chair has an upholstered seat and a walnut or maple frame.

Notes

COM/COL requires ¾ yard/13½ square feet.

Dimensions



Specification Information

Step 1.

SFT1 A

Step 2. Frame Finish

M maple A

W walnut A

N sundance walnut with clear finish A

A ash A

Prices for Steps 1-2.

SFT1M	\$1672
SFT1W	\$2164
SFT1N	\$2361
SFT1A	\$1576

Step 3. Upholstery

Price Category (Geiger) 1	+\$30
Price Category 1	+\$0
Price Category (Geiger) 2	+\$0
Price Category 2	+\$37
Price Category (Geiger) 3	+\$46
Price Category 3	+\$46
Price Category (Geiger) 4	+\$56
Price Category 4	+\$56
Price Category (Geiger) 5	+\$82
Price Category 5	+\$82
Price Category (Geiger) 6	+\$108
Price Category (Geiger) 7	+\$132
Price Category (Geiger) 8	+\$203
Price Category (Geiger) 9	+\$252
Price Category 9	+\$252
Price Category (Geiger) 10	+\$290
Price Category (Geiger) 11	+\$324
Price Category (Geiger) 14	+\$425
Price Category (Geiger) A	+\$43
Price Category (Geiger) B	+\$47
Price Category (Geiger) C	+\$51
Price Category (Geiger) D	+\$58
Price Category (Geiger) E	+\$66
Price Category (Geiger) F	+\$74
Price Category (Geiger) G	+\$82
Price Category (Geiger) H	+\$89
Price Category (Geiger) I	+\$162
Price Category (Geiger) J	+\$101
Price Category (Geiger) K	+\$113
Price Category (Geiger) L	+\$124

Price Category (Geiger) M	+\$140
Price Category (Geiger) N	+\$155
Price Category (Geiger) O	+\$329
Price Category (Geiger) P	+\$170
Price Category (Geiger) Q	+\$464
Price Category (Geiger) R	+\$572
Price Category (Geiger) S	+\$614
Price Category (Geiger) T	+\$658
Price Category (Geiger) U	+\$700
Price Category (Geiger) V	+\$742
Price Category (Geiger) X	+\$828
Price Category (Geiger) Y	+\$870
Price Category COM (Geiger) <input type="checkbox"/> A	+\$0
Price Category COL (Geiger) <input type="checkbox"/> A	+\$54

Step 4. Wood Finish

For maple (M)

967 smoked paldao, low sheen <input type="checkbox"/> A	+\$0
969 warm paldao, low sheen <input type="checkbox"/> A	+\$0

For maple (M)

911 champagne maple (natural) <input type="checkbox"/> A	+\$0
G2U light brown walnut, low sheen <input type="checkbox"/> A	+\$0
G40 dark brown walnut, low sheen <input type="checkbox"/> A	+\$0
940 sundance cherry on maple <input type="checkbox"/> A	+\$0
943 caramel cherry <input type="checkbox"/> A	+\$0
946 cocoa cherry <input type="checkbox"/> A	+\$0
956 cocoa sapele <input type="checkbox"/> A	+\$0
962 toasted walnut, low sheen <input type="checkbox"/> A	+\$0
963 charred walnut, low sheen <input type="checkbox"/> A	+\$0
964 bronzed walnut, low sheen <input type="checkbox"/> A	+\$0
965 smoked walnut, low sheen <input type="checkbox"/> A	+\$0
966 coffee walnut, low sheen <input type="checkbox"/> A	+\$0
98R recograin rosewood <input type="checkbox"/> A	+\$0
99R recograin rosewood <input type="checkbox"/> A	+\$0
99T recograin teak <input type="checkbox"/> A	+\$0
9A1 white ash, quarter cut, low sheen <input type="checkbox"/> A	+\$0
9K1 rift oak, rift cut, low sheen <input type="checkbox"/> A	+\$0
9K6 burnt oak, rift cut, low sheen <input type="checkbox"/> A	+\$0
ED aged cherry <input type="checkbox"/> A	+\$0

For maple (M)

662 toasted walnut, matte sheen <input type="checkbox"/> A	+\$0
663 charred walnut, matte sheen <input type="checkbox"/> A	+\$0
664 bronzed walnut, matte sheen <input type="checkbox"/> A	+\$0
665 smoked walnut, matte sheen <input type="checkbox"/> A	+\$0
666 coffee walnut, matte sheen <input type="checkbox"/> A	+\$0
667 smoked paldao, quarter cut, matte sheen <input type="checkbox"/> A	+\$0
669 warm paldao, quarter cut, matte sheen <input type="checkbox"/> A	+\$0
68R recograin rosewood <input type="checkbox"/> A	+\$0
69R recograin rosewood <input type="checkbox"/> A	+\$0
69T recograin teak <input type="checkbox"/> A	+\$0
6A1 white ash <input type="checkbox"/> A	+\$0
6K1 rift oak <input type="checkbox"/> A	+\$0
6K6 burnt oak <input type="checkbox"/> A	+\$0
ET clear on ash <input type="checkbox"/> A	+\$0
EU oak on ash <input type="checkbox"/> A	+\$0
EV walnut on ash <input type="checkbox"/> A	+\$0
GOU natural walnut, flat cut, matte sheen <input type="checkbox"/> A	+\$0

For maple (M)

66G recograin wenge <input type="checkbox"/> A	+\$0
69G recograin wenge <input type="checkbox"/> A	+\$0

For maple (M)

96G wenge recograin, quarter cut, low sheen <input type="checkbox"/> A	+\$0
99G recograin wenge, quarter cut, low sheen <input type="checkbox"/> A	+\$0

For ash (A)

967 smoked paldao, low sheen <input type="checkbox"/> A	+\$0
969 warm paldao, low sheen <input type="checkbox"/> A	+\$0

Full Twist™ Guest Chair *continued*

<i>For ash (A)</i>		
940	sundance cherry on maple [A]	+\$0
943	caramel cherry [A]	+\$0
946	cocoa cherry [A]	+\$0
956	cocoa sapele [A]	+\$0
962	toasted walnut, low sheen [A]	+\$0
963	charred walnut, low sheen [A]	+\$0
964	bronzed walnut, low sheen [A]	+\$0
965	smoked walnut, low sheen [A]	+\$0
966	coffee walnut, low sheen [A]	+\$0
977	chocolate ash, low sheen [A]	+\$0
98R	recograin rosewood [A]	+\$0
991	champagne ash [A]	+\$0
998	ebony ash [A]	+\$0
99A	recograin frosty ash [A]	+\$0
99R	recograin rosewood [A]	+\$0
99T	recograin teak [A]	+\$0
9A1	white ash, quarter cut, low sheen [A]	+\$0
9K1	rift oak, rift cut, low sheen [A]	+\$0
9K6	burnt oak, rift cut, low sheen [A]	+\$0
ED	aged cherry [A]	+\$0
EK	medium red walnut [A]	+\$0
G2U	light brown walnut, low sheen [A]	+\$0
G40	dark brown walnut, low sheen [A]	+\$0
UX	walnut on cherry [A]	+\$0

<i>For ash (A)</i>		
662	toasted walnut, matte sheen [A]	+\$0
663	charred walnut, matte sheen [A]	+\$0
664	bronzed walnut, matte sheen [A]	+\$0
665	smoked walnut, matte sheen [A]	+\$0
666	coffee walnut, matte sheen [A]	+\$0
667	smoked paldao, quarter cut, matte sheen [A]	+\$0
669	warm paldao, quarter cut, matte sheen [A]	+\$0
66A	recograin frosty ash [A]	+\$0
677	chocolate ash, matte sheen [A]	+\$0
68R	recograin rosewood [A]	+\$0
69A	recograin frosty ash [A]	+\$0
69R	recograin rosewood [A]	+\$0
69T	recograin teak [A]	+\$0
6A1	white ash [A]	+\$0
6K1	rift oak [A]	+\$0
6K6	burnt oak [A]	+\$0
ET	clear on ash [A]	+\$0
EU	oak on ash [A]	+\$0
EV	walnut on ash [A]	+\$0
GOU	natural walnut, flat cut, matte sheen [A]	+\$0

<i>For ash (A)</i>		
66G	wenge recograin, quarter cut, matte sheen [A]	+\$0
68W	recograin walnut, flat cut, matte sheen [A]	+\$0
69G	recograin wenge [A]	+\$0
69W	recograin walnut, quarter cut, matte sheen [A]	+\$0

<i>For ash (A)</i>		
96G	wenge recograin, quarter cut, low sheen [A]	+\$0
98W	recograin walnut, flat cut, low sheen [A]	+\$0
99G	recograin wenge, quarter cut, low sheen [A]	+\$0
99W	recograin walnut, quarter cut, low sheen [A]	+\$0

<i>For walnut (W)</i>		
967	smoked paldao, low sheen [A]	+\$0
969	warm paldao, low sheen [A]	+\$0

<i>For walnut (W)</i>		
962	toasted walnut, low sheen [A]	+\$0
963	charred walnut, low sheen [A]	+\$0
964	bronzed walnut, low sheen [A]	+\$0
965	smoked walnut, low sheen [A]	+\$0
966	coffee walnut, low sheen [A]	+\$0
98R	recograin rosewood [A]	+\$0
99R	recograin rosewood [A]	+\$0
EK	medium red walnut [A]	+\$0
G2U	light brown walnut, low sheen [A]	+\$0
G40	dark brown walnut, low sheen [A]	+\$0

<i>For walnut (W)</i>		
662	toasted walnut, matte sheen [A]	+\$0
663	charred walnut, matte sheen [A]	+\$0
664	bronzed walnut, matte sheen [A]	+\$0
665	smoked walnut, matte sheen [A]	+\$0
666	coffee walnut, matte sheen [A]	+\$0
667	smoked paldao, quarter cut, matte sheen [A]	+\$0
669	warm paldao, quarter cut, matte sheen [A]	+\$0
68R	recograin rosewood [A]	+\$0
69R	recograin rosewood [A]	+\$0
GOU	natural walnut, flat cut, matte sheen [A]	+\$0

<i>For walnut (W)</i>		
66G	recograin wenge [A]	+\$0
69G	recograin wenge [A]	+\$0

<i>For walnut (W)</i>		
96G	wenge recograin, quarter cut, low sheen [A]	+\$0
99G	recograin wenge, quarter cut, low sheen [A]	+\$0

Full Twist™ Guest Chair *continued*

For sundance walnut with clear finish (N)

972 sundance walnut A +\$0

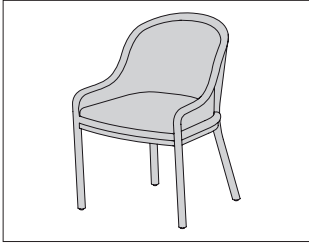
Step 5. Fire Retardancy

NOCAL not fire retardant A +\$0

133 fire retardant A +\$49

Landmark Low Arm Chair

SBLAC
SBLAF



HermanMiller Collection—Side & Stacking Chairs

Product Information

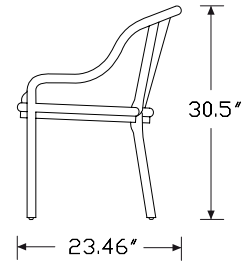
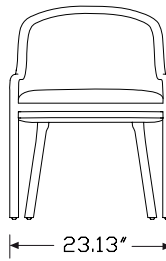
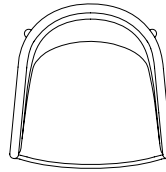
Description

This low arm chair has a wood frame carved from solid hardwood. It has a French upholstered seat and back, or a cane seat and back with cushion.

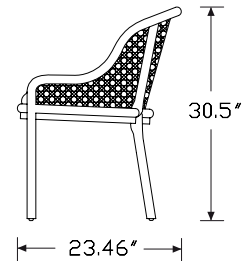
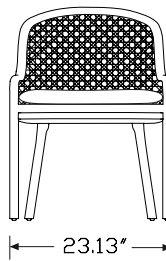
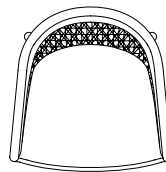
Notes

Customers Own Material (COM) requires 2½ yards for the French upholstered seat and back, closed arm (F) and 1 yard for the cane seat and back with cushion (C). Customers Own Leather (COL) requires 45 square feet for the French upholstered seat and back (F) and 20 square feet for the cane seat and back with cushion (C). See Order Information in Appendices.

Dimensions



French upholstered



Cane seat and back

Landmark Low Arm Chair *continued*

Specification Information

Step 1.

SBLA

Step 2. Seat, Back and Arms

C cane seat and back with cushion

F french upholstered seat and back, closed arm

Prices for Steps 1-2.

SBLAC \$2762

SBLAF \$2762

Step 3. Wood Finish

Premium Veneer - Low Sheen

932	sundance anigre <input type="checkbox"/>	+\$0
933	caramel anigre <input type="checkbox"/>	+\$0
934	henna anigre <input type="checkbox"/>	+\$0
940	sundance cherry on maple <input type="checkbox"/>	+\$0
943	caramel cherry <input type="checkbox"/>	+\$0
946	cocoa cherry <input type="checkbox"/>	+\$0
956	cocoa sapele <input type="checkbox"/>	+\$0
962	toasted walnut, low sheen <input type="checkbox"/>	+\$0
963	charred walnut, low sheen <input type="checkbox"/>	+\$0
964	bronzed walnut, low sheen <input type="checkbox"/>	+\$0
965	smoked walnut, low sheen <input type="checkbox"/>	+\$0
966	coffee walnut, low sheen <input type="checkbox"/>	+\$0
967	smoked paldao, low sheen <input type="checkbox"/>	+\$0
969	warm paldao, low sheen <input type="checkbox"/>	+\$0
977	chocolate ash, low sheen <input type="checkbox"/>	+\$0
98R	recograin rosewood <input type="checkbox"/>	+\$0
991	champagne ash <input type="checkbox"/>	+\$0
998	ebony ash <input type="checkbox"/>	+\$0
99A	recograin frosty ash <input type="checkbox"/>	+\$0
99R	recograin rosewood <input type="checkbox"/>	+\$0
99T	recograin teak <input type="checkbox"/>	+\$0
9A1	white ash, quarter cut, low sheen <input type="checkbox"/>	+\$0
9K1	rift oak, rift cut, low sheen <input type="checkbox"/>	+\$0
9K6	burnt oak, rift cut, low sheen <input type="checkbox"/>	+\$0
ED	aged cherry <input type="checkbox"/>	+\$0
EK	medium red walnut <input type="checkbox"/>	+\$0
G2U	light brown walnut, low sheen <input type="checkbox"/>	+\$0
G40	dark brown walnut, low sheen <input type="checkbox"/>	+\$0
UX	walnut on cherry <input type="checkbox"/>	+\$0

Premium Veneer - Matte

662	toasted walnut, matte sheen <input type="checkbox"/>	+\$0
663	charred walnut, matte sheen <input type="checkbox"/>	+\$0
664	bronzed walnut, matte sheen <input type="checkbox"/>	+\$0
665	smoked walnut, matte sheen <input type="checkbox"/>	+\$0
666	coffee walnut, matte sheen <input type="checkbox"/>	+\$0
667	smoked paldao, quarter cut, matte sheen <input type="checkbox"/>	+\$0
669	warm paldao, quarter cut, matte sheen <input type="checkbox"/>	+\$0
66A	recograin frosty ash <input type="checkbox"/>	+\$0
677	chocolate ash, matte sheen <input type="checkbox"/>	+\$0
68R	recograin rosewood <input type="checkbox"/>	+\$0
69A	recograin frosty ash <input type="checkbox"/>	+\$0
69R	recograin rosewood <input type="checkbox"/>	+\$0
69T	recograin teak <input type="checkbox"/>	+\$0
6A1	white ash <input type="checkbox"/>	+\$0
6K1	rift oak <input type="checkbox"/>	+\$0
6K6	burnt oak <input type="checkbox"/>	+\$0
ET	clear on ash <input type="checkbox"/>	+\$0
EU	oak on ash <input type="checkbox"/>	+\$0
EV	walnut on ash <input type="checkbox"/>	+\$0
GOU	natural walnut, flat cut, matte sheen <input type="checkbox"/>	+\$0

RecoGrain Veneer

66G	recograin wenge <input type="checkbox"/>	+\$0
68W	recograin walnut, flat cut, matte sheen <input type="checkbox"/>	+\$0
69G	recograin wenge <input type="checkbox"/>	+\$0
69W	recograin walnut, quarter cut, matte sheen <input type="checkbox"/>	+\$0

Recon Veneer -

96G	wenge recograin, quarter cut, low sheen <input type="checkbox"/>	+\$0
98W	recograin walnut, flat cut, low sheen <input type="checkbox"/>	+\$0
99G	recograin wenge, quarter cut, low sheen <input type="checkbox"/>	+\$0
99W	recograin walnut, quarter cut, low sheen <input type="checkbox"/>	+\$0

Step 4. Upholstery

	C	F
Price Category 1	+\$0	0
Price Category (Geiger) 2	+\$49	0
Price Category 2	+\$49	122
Price Category (Geiger) 3	+\$61	153
Price Category 3	+\$61	153
Price Category (Geiger) 4	+\$75	186
Price Category 4	+\$75	186
Price Category (Geiger) 5	+\$109	271
Price Category 5	+\$109	271
Price Category (Geiger) 6	+\$143	356
Price Category (Geiger) 7	+\$177	441

Landmark Low Arm Chair *continued*

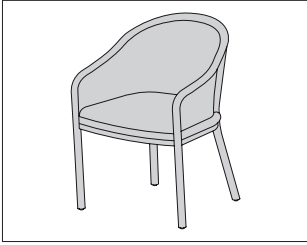
HermanMiller Collection—Side & Stacking Chairs

Price Category (Geiger) 8	+\$270	675
Price Category (Geiger) 9	+\$335	838
Price Category 9	+\$335	838
Price Category (Geiger) 10	+\$386	964
Price Category (Geiger) 11	+\$432	1080
Price Category (Geiger) 14	+\$566	1415
Price Category (Geiger) C	+\$55	137
Price Category (Geiger) D	+\$73	181
Price Category (Geiger) E	+\$88	220
Price Category (Geiger) F	+\$106	263
Price Category (Geiger) G	+\$144	359
Price Category (Geiger) H	+\$179	446
Price Category (Geiger) I	+\$216	539
Price Category (Geiger) J	+\$253	632
Price Category (Geiger) K	+\$290	725
Price Category (Geiger) L	+\$327	817
Price Category (Geiger) M	+\$364	910
Price Category (Geiger) N	+\$401	1003
Price Category (Geiger) O	+\$438	1095
Price Category (Geiger) P	+\$474	1185
Price Category (Geiger) Q	+\$547	1368
Price Category (Geiger) R	+\$763	1906
Price Category (Geiger) S	+\$819	2048
Price Category (Geiger) T	+\$876	2189
Price Category (Geiger) U	+\$933	2331
Price Category (Geiger) V	+\$989	2472
Price Category (Geiger) X	+\$1103	2756
Price Category (Geiger) Y	+\$1159	2898
Price Category (Geiger) COM <input type="checkbox"/> A	+\$0	0
Price Category (Geiger) COL <input type="checkbox"/> A	+\$75	186

Step 5. Fire Retardancy
NOCAL no cal-133 required A +\$0

Landmark Chair

SBLLC
SBLLF



Product Information

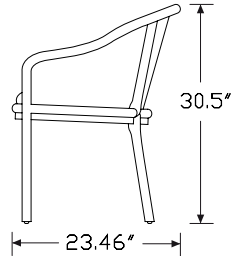
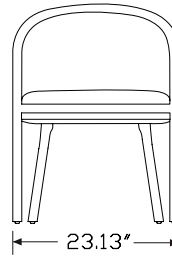
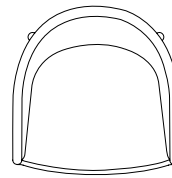
Description

This chair has a wood frame carved from solid hardwood. It has a French upholstered seat and back, or a cane seat and back with cushion.

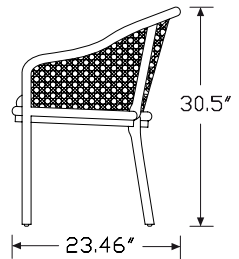
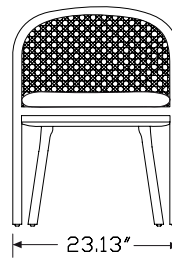
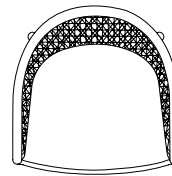
Notes

Customers Own Material (COM) requires 2½ yards for the French upholstered seat and back, closed arm (F) and 1 yard for the cane seat and back with cushion (C). Customers Own Leather (COL) requires 45 square feet for the French upholstered seat and back (F) and 20 square feet for the cane seat and back with cushion (C). See Order Information in Appendices.

Dimensions



French upholstered



Cane seat and back

Specification Information	
Step 1.	
SBLL	<input type="checkbox"/> A
Step 2. Seat, Back and Arms	
C	cane seat and back with cushion <input type="checkbox"/> A
F	french upholstered seat and back, closed arm <input type="checkbox"/> A
Prices for Steps 1-2.	
SBLLC	\$2680
SBLLF	\$2680
Step 3. Wood Finish	

Premium Veneer - Low Sheen		
932	sundance anigre <input type="checkbox"/> A	+\$0
933	caramel anigre <input type="checkbox"/> A	+\$0
934	henna anigre <input type="checkbox"/> A	+\$0
940	sundance cherry on maple <input type="checkbox"/> A	+\$0
943	caramel cherry <input type="checkbox"/> A	+\$0
946	cocoa cherry <input type="checkbox"/> A	+\$0
956	cocoa sapele <input type="checkbox"/> A	+\$0
962	toasted walnut, low sheen <input type="checkbox"/> A	+\$0
963	charred walnut, low sheen <input type="checkbox"/> A	+\$0
964	bronzed walnut, low sheen <input type="checkbox"/> A	+\$0
965	smoked walnut, low sheen <input type="checkbox"/> A	+\$0
966	coffee walnut, low sheen <input type="checkbox"/> A	+\$0
967	smoked paldao, low sheen <input type="checkbox"/> A	+\$0
969	warm paldao, low sheen <input type="checkbox"/> A	+\$0
977	chocolate ash, low sheen <input type="checkbox"/> A	+\$0
98R	recograin rosewood <input type="checkbox"/> A	+\$0
991	champagne ash <input type="checkbox"/> A	+\$0
998	ebony ash <input type="checkbox"/> A	+\$0
99A	recograin frosty ash <input type="checkbox"/> A	+\$0
99R	recograin rosewood <input type="checkbox"/> A	+\$0
99T	recograin teak <input type="checkbox"/> A	+\$0
9A1	white ash, quarter cut, low sheen <input type="checkbox"/> A	+\$0
9K1	rift oak, rift cut, low sheen <input type="checkbox"/> A	+\$0
9K6	burnt oak, rift cut, low sheen <input type="checkbox"/> A	+\$0
ED	aged cherry <input type="checkbox"/> A	+\$0
EK	medium red walnut <input type="checkbox"/> A	+\$0
G2U	light brown walnut, low sheen <input type="checkbox"/> A	+\$0
G40	dark brown walnut, low sheen <input type="checkbox"/> A	+\$0
UX	walnut on cherry <input type="checkbox"/> A	+\$0

Premium Veneer - Matte		
662	toasted walnut, matte sheen <input type="checkbox"/> A	+\$0
663	charred walnut, matte sheen <input type="checkbox"/> A	+\$0
664	bronzed walnut, matte sheen <input type="checkbox"/> A	+\$0
665	smoked walnut, matte sheen <input type="checkbox"/> A	+\$0
666	coffee walnut, matte sheen <input type="checkbox"/> A	+\$0
667	smoked paldao, quarter cut, matte sheen <input type="checkbox"/> A	+\$0
669	warm paldao, quarter cut, matte sheen <input type="checkbox"/> A	+\$0
66A	recograin frosty ash <input type="checkbox"/> A	+\$0
677	chocolate ash, flat cut, matte sheen <input type="checkbox"/> A	+\$0
68R	recograin rosewood <input type="checkbox"/> A	+\$0
69A	recograin frosty ash <input type="checkbox"/> A	+\$0
69R	recograin rosewood <input type="checkbox"/> A	+\$0
69T	recograin teak <input type="checkbox"/> A	+\$0
6A1	white ash <input type="checkbox"/> A	+\$0
6K1	rift oak <input type="checkbox"/> A	+\$0
6K6	burnt oak <input type="checkbox"/> A	+\$0
ET	clear on ash <input type="checkbox"/> A	+\$0
EU	oak on ash <input type="checkbox"/> A	+\$0
EV	walnut on ash <input type="checkbox"/> A	+\$0
GOU	natural walnut, flat cut, matte sheen <input type="checkbox"/> A	+\$0

RecoGrain Veneer		
66G	recograin wenge <input type="checkbox"/> A	+\$0
68W	recograin walnut, flat cut, matte sheen <input type="checkbox"/> A	+\$0
69G	recograin wenge <input type="checkbox"/> A	+\$0
69W	recograin walnut, quarter cut, matte sheen <input type="checkbox"/> A	+\$0

Recon Veneer -		
96G	wenge recograin, quarter cut, low sheen <input type="checkbox"/> A	+\$0
98W	recograin walnut, flat cut, low sheen <input type="checkbox"/> A	+\$0
99G	recograin wenge, quarter cut, low sheen <input type="checkbox"/> A	+\$0
99W	recograin walnut, quarter cut, low sheen <input type="checkbox"/> A	+\$0

Step 4. Upholstery		
	C	F
Price Category 1	+\$0	0
Price Category (Geiger) 2	+\$49	0
Price Category 2	+\$49	122
Price Category (Geiger) 3	+\$61	153
Price Category 3	+\$61	153
Price Category (Geiger) 4	+\$75	186
Price Category 4	+\$75	186
Price Category (Geiger) 5	+\$109	271
Price Category 5	+\$109	271
Price Category (Geiger) 6	+\$143	356
Price Category (Geiger) 7	+\$177	441

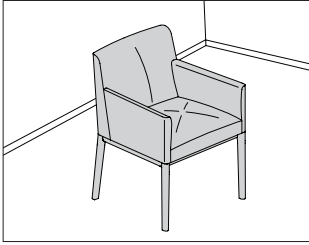
Landmark Chair *continued*

Price Category (Geiger) 8	+\$270	675
Price Category (Geiger) 9	+\$335	838
Price Category 9	+\$335	838
Price Category (Geiger) 10	+\$386	964
Price Category (Geiger) 11	+\$432	1080
Price Category (Geiger) 14	+\$566	1415
Price Category (Geiger) C	+\$45	111
Price Category (Geiger) D	+\$73	181
Price Category (Geiger) E	+\$88	220
Price Category (Geiger) F	+\$106	263
Price Category (Geiger) G	+\$144	359
Price Category (Geiger) H	+\$179	446
Price Category (Geiger) I	+\$216	539
Price Category (Geiger) J	+\$253	632
Price Category (Geiger) K	+\$290	725
Price Category (Geiger) L	+\$327	817
Price Category (Geiger) M	+\$364	910
Price Category (Geiger) N	+\$401	1003
Price Category (Geiger) O	+\$438	1095
Price Category (Geiger) P	+\$474	1185
Price Category (Geiger) Q	+\$547	1368
Price Category (Geiger) R	+\$763	1906
Price Category (Geiger) S	+\$819	2048
Price Category (Geiger) T	+\$876	2189
Price Category (Geiger) U	+\$933	2331
Price Category (Geiger) V	+\$989	2472
Price Category (Geiger) X	+\$1103	2756
Price Category (Geiger) Y	+\$1159	2898
Price Category (Geiger) COM <input type="checkbox"/> A	+\$0	0
Price Category (Geiger) COL <input type="checkbox"/> A	+\$75	186

Step 5. Fire Retardancy		
NOCAL no cal-133 required <input type="checkbox"/> A		+\$0

Nessel Chair

SNS1A
 SNS1W
 SNS2A
 SNS2W



Herman Miller Collection—Side & Stacking Chairs

Product Information

Description

This side chair has a solid wood frame with cushions made of polyfoam and DACRON®. It is available with or without arms. Fire retardant chair meets CAL 133 requirements.

Notes

Customer's Own Material (COM)/Customer's Own Leather (COL) requires the following:

Type—COM—COL

SNS2W (seat border and outside back)—1 yard—18 square feet

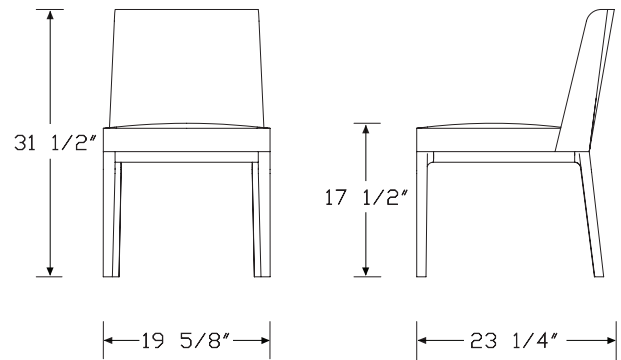
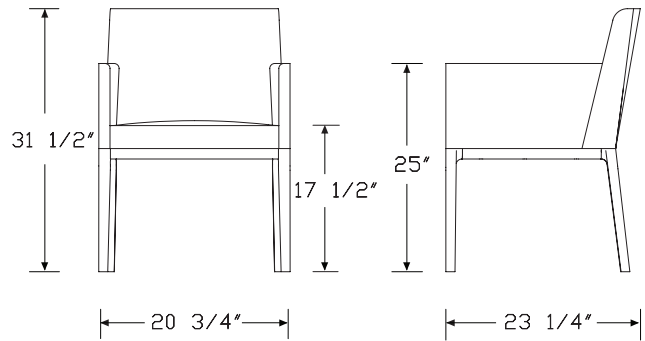
SNS2W (seat cushion top and inside chair back)—1 yard—18 square feet

SNS1W (seat border and outside back)—¾ yard—13½ square feet

SNS1W (seat cushion top and inside chair back)—¾ yard—13½ square feet

See Order Information in Appendices for more information.

Dimensions



Specification Information

Step 1.

SNS A

Step 2. Frame Finish

1A armless - ash A

1W armless - walnut A

2A arm - ash A

2W arm - walnut A

Prices for Steps 1-2.

SNS1A	\$1373
SNS1W	\$1490
SNS2A	\$1753
SNS2W	\$1870

Step 3. Wood Finish

For armless - ash (1A) or arm - ash (2A)

66G recognain wenge A	+ \$0
68W recognain walnut, flat cut, matte sheen A	+ \$0
69G recognain wenge A	+ \$0
69W recognain walnut, quarter cut, matte sheen A	+ \$0

For armless - ash (1A) or arm - ash (2A)

98W recognain walnut, flat cut, low sheen A	+ \$0
99G recognain wenge, quarter cut, low sheen A	+ \$0
99W recognain walnut, quarter cut, low sheen A	+ \$0

Low Sheen Finishes (on Ash)

For armless - ash (1A) or arm - ash (2A)

967 smoked paldao, low sheen A	+ \$0
969 warm paldao, low sheen A	+ \$0

Low Sheen Finishes (on Ash)

For armless - ash (1A) or arm - ash (2A)

940 sundance cherry on maple A	+ \$0
962 toasted walnut, low sheen A	+ \$0
963 charred walnut, low sheen A	+ \$0
964 bronzed walnut, low sheen A	+ \$0
965 smoked walnut, low sheen A	+ \$0
966 coffee walnut, low sheen A	+ \$0
977 chocolate ash, low sheen A	+ \$0
98R recognain rosewood A	+ \$0
99A recognain frosty ash A	+ \$0
99R recognain rosewood A	+ \$0
99T recognain teak A	+ \$0
9A1 white ash, quarter cut, low sheen A	+ \$0
9K1 rift oak, rift cut, low sheen A	+ \$0
9K6 burnt oak, rift cut, low sheen A	+ \$0
EK medium red walnut A	+ \$0
G2U light brown walnut, low sheen A	+ \$0
G40 dark brown walnut, low sheen A	+ \$0
UX walnut on cherry, flat cut, low sheen A	+ \$0
943 caramel cherry A	+ \$0
946 cocoa cherry A	+ \$0
956 cocoa sapele A	+ \$0
991 champagne ash A	+ \$0
998 ebony ash A	+ \$0
ED aged cherry A	+ \$0

Matte Sheen Finishes (on Ash)

For armless - ash (1A) or arm - ash (2A)

667 smoked paldao, quarter cut, matte sheen A	+ \$0
669 warm paldao, quarter cut, matte sheen A	+ \$0
66A frosty ash recognain, quarter cut, matte sheen A	+ \$0
677 chocolate ash, matte sheen A	+ \$0
68R recognain rosewood A	+ \$0
69A recognain frosty ash A	+ \$0
69R recognain rosewood A	+ \$0
69T recognain teak A	+ \$0
6K1 rift oak A	+ \$0
ET clear on ash A	+ \$0
EU oak on ash A	+ \$0
EV walnut on ash A	+ \$0
GOU natural walnut, flat cut, matte sheen A	+ \$0
6A1 white ash A	+ \$0
6K6 burnt oak A	+ \$0

Nessel Chair *continued*

For armless - walnut (1W) or arm - walnut (2W)

967	smoked paldao, low sheen A	+\$0
969	warm paldao, low sheen A	+\$0

For armless - walnut (1W) or arm - walnut (2W)

662	toasted walnut, matte sheen A	+\$0
663	charred walnut, matte sheen A	+\$0
664	bronzed walnut, matte sheen A	+\$0
665	smoked walnut, matte sheen A	+\$0
666	coffee walnut, matte sheen A	+\$0
68R	recograin rosewood A	+\$0
69R	recograin rosewood A	+\$0
GOU	natural walnut, flat cut, matte sheen A	+\$0

For armless - walnut (1W) or arm - walnut (2W)

96G	wenge recograin, quarter cut, low sheen A	+\$0
99G	recograin wenge, quarter cut, low sheen A	+\$0

For armless - walnut (1W) or arm - walnut (2W)

66G	recograin wenge A	+\$0
69G	recograin wenge A	+\$0

Low Sheen Finishes (on Walnut)

For armless - walnut (1W) or arm - walnut (2W)

962	toasted walnut, low sheen A	+\$0
963	charred walnut, low sheen A	+\$0
964	bronzed walnut, low sheen A	+\$0
965	smoked walnut, low sheen A	+\$0
966	coffee walnut, low sheen A	+\$0
972	sundance walnut A	+\$0
98R	recograin rosewood A	+\$0
99R	recograin rosewood A	+\$0
G2U	light brown walnut, low sheen A	+\$0
G40	dark brown walnut, low sheen A	+\$0
EK	medium red walnut A	+\$0

Step 4. Seat Border/Outside Back

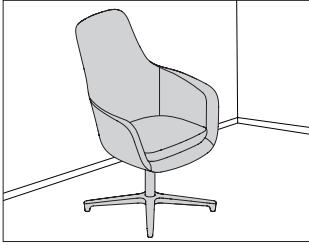
	1A	1W	2A	2W
Price Category (Geiger) COL A	+\$0	0	0	0
Price Category (Geiger) COM A	+\$0	0	0	0
Price Category 1	+\$0	0	0	0
Price Category (Geiger) 2	+\$0	0	0	0
Price Category 2	+\$37	37	49	49
Price Category (Geiger) 3	+\$46	46	61	61
Price Category 3	+\$46	46	61	61
Price Category (Geiger) 4	+\$56	56	75	75
Price Category 4	+\$56	56	56	56
Price Category (Geiger) 5	+\$82	82	109	109
Price Category 5	+\$82	82	109	109
Price Category (Geiger) 6	+\$108	108	143	143
Price Category (Geiger) 7	+\$132	132	177	177
Price Category 7	+\$132	132	132	132
Price Category (Geiger) 8	+\$203	203	270	270
Price Category 9	+\$252	252	335	335
Price Category (Geiger) 10	+\$290	290	386	386
Price Category (Geiger) 11	+\$324	324	432	432
Price Category 11	+\$324	324	432	432
Price Category (Geiger) C	+\$42	42	55	55
Price Category (Geiger) D	+\$55	55	73	73
Price Category (Geiger) F	+\$80	80	106	106
Price Category (Geiger) G	+\$108	108	144	144
Price Category (Geiger) H	+\$134	134	179	179
Price Category (Geiger) I	+\$162	162	216	216
Price Category (Geiger) K	+\$218	218	290	290
Price Category (Geiger) L	+\$246	246	327	327
Price Category (Geiger) M	+\$273	273	364	364

Nessel Chair *continued*

Step 5. Seat Cushion Top/Inside Back				
	1A	1W	2A	2W
Price Category 1	+\$0	0	0	0
Price Category (Geiger) 2	+\$0	0	0	0
Price Category 2	+\$37	37	49	49
Price Category (Geiger) 3	+\$46	46	61	61
Price Category 3	+\$46	46	61	61
Price Category (Geiger) 4	+\$56	56	75	75
Price Category 4	+\$56	56	75	75
Price Category (Geiger) 5	+\$82	82	109	109
Price Category 5	+\$82	82	109	109
Price Category (Geiger) 6	+\$108	108	143	143
Price Category (Geiger) 7	+\$132	132	177	177
Price Category 7	+\$132	132	177	177
Price Category (Geiger) 8	+\$203	203	270	270
Price Category 9	+\$252	252	335	335
Price Category (Geiger) 10	+\$290	290	386	386
Price Category (Geiger) 11	+\$324	324	432	432
Price Category 11	+\$324	324	432	432
Price Category (Geiger) C	+\$0	0	0	0
Price Category (Geiger) D	+\$55	55	73	73
Price Category (Geiger) F	+\$80	80	106	106
Price Category (Geiger) G	+\$108	108	144	144
Price Category (Geiger) H	+\$134	134	179	179
Price Category (Geiger) I	+\$162	162	216	216
Price Category (Geiger) K	+\$218	218	290	290
Price Category (Geiger) L	+\$246	246	327	327
Price Category (Geiger) M	+\$273	273	364	364
Price Category (Geiger) COL <input type="checkbox"/> A	+\$0	0	0	0
Price Category (Geiger) COM <input type="checkbox"/> A	+\$0	0	0	0
Step 6. Fire Retardancy				
NOCAL no cal-133 required <input type="checkbox"/> A				+\$0

Saiba Conference Chair

SBN1H
SBN1M



Herman Miller Collection—Side & Stacking Chairs

Product Information

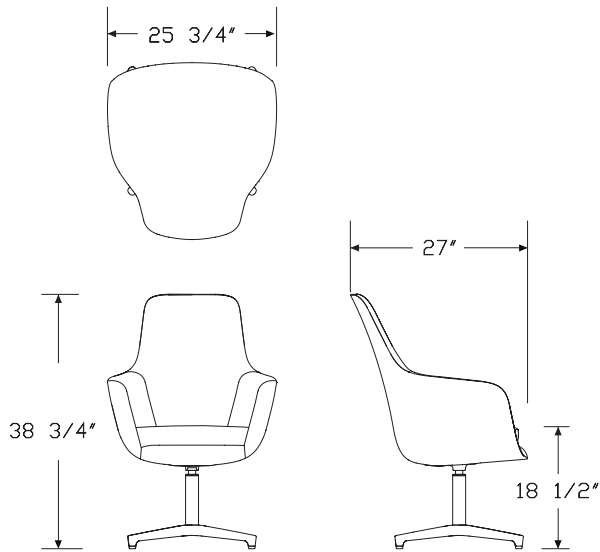
Description

This swivel chair has a high back or mid back and a 4-star self-return base with glides. Seat frame is rigid urethane with polyurethane foam.

Notes

Customer's Own Material (COM) requires 3 yards for high back (H) or 2¾ yards for mid back (M). Customer's Own Leather (COL) requires 54 square feet for high back (H) or 49½ square feet for mid back (M). See Order Information in appendices.

Dimensions



Specification Information

Step 1.

SBN1 A

Step 2. Back Height

M mid back A

H high back A

Prices for Steps 1-2.

SBN1M	\$1809
SBN1H	\$1910

Step 3. Upholstery

	M	H
Price Category (Geiger) COL <input type="checkbox"/> A	+\$0	0
Price Category (Geiger) COM <input type="checkbox"/> A	+\$0	0
Price Category 1	+\$0	0
Price Category (Geiger) 2	+\$133	183
Price Category 2	+\$133	183
Price Category (Geiger) 3	+\$167	183
Price Category 3	+\$167	183
Price Category 4	+\$358	429
Price Category (Geiger) 4	+\$204	223
Price Category (Geiger) 5	+\$298	325
Price Category 5	+\$298	325
Price Category (Geiger) 6	+\$358	429
Price Category (Geiger) 7	+\$485	529
Price Category (Geiger) 8	+\$743	810
Price Category 9	+\$921	1005
Price Category (Geiger) 10	+\$1060	1156
Price Category (Geiger) 11	+\$1187	1295
Price Category 11	+\$1187	1295
Price Category (Geiger) C	+\$152	165
Price Category G	+\$396	432
Price Category (Geiger) H	+\$491	535
Price Category (Geiger) F	+\$292	318

Step 4. Base Finish

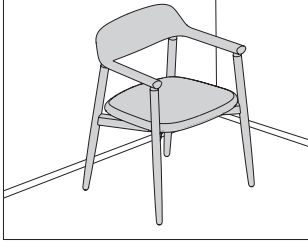
BK black <input type="checkbox"/> A	+\$0
CD polished aluminum <input type="checkbox"/> A	+\$0

Step 5. Fire Retardancy

NOCAL no cal-133 required <input type="checkbox"/> A	+\$0
---	------

Crosshatch Side Chair

SES2A
SES2W



Product Information

Description

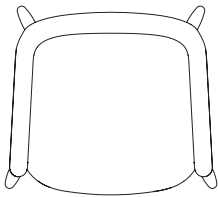
This side chair has a solid wood frame with an upholstered seat. Frame comes in ash or walnut.

Notes

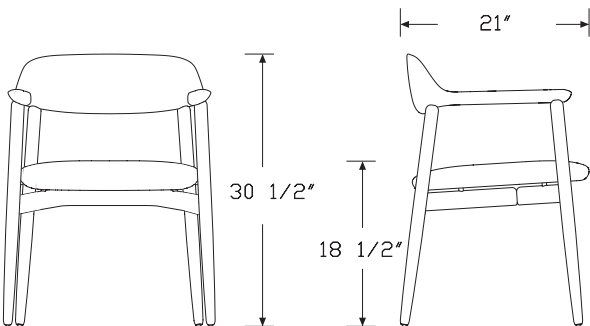
Fire retardant chair meets CAL 133 requirements.

Customer's Own Material (COM) requires 3/4 yards. Customer's Own Leather (COL) requires 13 1/2 square feet. See Order Information in appendices.

Dimensions



← 23 3/4" →



Specification Information

Step 1.

SES2 A

Step 2. Frame Finish

A ash A

W walnut A

Prices for Steps 1-2.

SES2A	\$1505
SES2W	\$2062

Step 3. Wood Finish

RecoGrain Veneer

For ash (A)

66W	recoGrain walnut, matte A	+\$0
68W	recoGrain walnut, flat cut, matte sheen A	+\$0
69G	recoGrain wenge A	+\$0
69W	recoGrain walnut, quarter cut, matte sheen A	+\$0
66G	recoGrain wenge A	+\$0

Recon Veneer -

For ash (A)

98W	recoGrain walnut, flat cut, low sheen A	+\$0
99G	recoGrain wenge, quarter cut, low sheen A	+\$0
99W	recoGrain walnut, quarter cut, low sheen A	+\$0

Low Sheen Finishes (on Ash)

For ash (A)

967	smoked paldao, low sheen A	+\$0
969	warm paldao, low sheen A	+\$0

Crosshatch Side Chair *continued*

Low Sheen Finishes (on Ash)

For ash (A)

940	sundance cherry on maple	A	+\$0
962	toasted walnut, low sheen	A	+\$0
963	charred walnut, low sheen	A	+\$0
964	bronzed walnut, low sheen	A	+\$0
965	smoked walnut, low sheen	A	+\$0
966	coffee walnut, low sheen	A	+\$0
977	chocolate ash, low sheen	A	+\$0
98R	recograin rosewood	A	+\$0
99A	recograin frosty ash	A	+\$0
99R	recograin rosewood	A	+\$0
99T	recograin teak	A	+\$0
9A1	white ash, quarter cut, low sheen	A	+\$0
9K1	rift oak, rift cut, low sheen	A	+\$0
9K6	burnt oak, rift cut, low sheen	A	+\$0
EK	medium red walnut	A	+\$0
G2U	light brown walnut, low sheen	A	+\$0
G40	dark brown walnut, low sheen	A	+\$0
UX	walnut on cherry	A	+\$0
943	caramel cherry	A	+\$0
946	cocoa cherry	A	+\$0
956	cocoa sapele	A	+\$0
991	champagne ash	A	+\$0
998	ebony ash	A	+\$0
ED	aged cherry	A	+\$0

Matte Sheen Finishes (on Ash)

For ash (A)

66A	recograin frosty ash	A	+\$0
677	chocolate ash, matte sheen	A	+\$0
68R	recograin rosewood	A	+\$0
69A	recograin frosty ash	A	+\$0
69R	recograin rosewood	A	+\$0
69T	recograin teak	A	+\$0
6K1	rift oak	A	+\$0
ET	clear on ash	A	+\$0
EU	oak on ash	A	+\$0
EV	walnut on ash	A	+\$0
GOU	natural walnut, flat cut, matte sheen	A	+\$0
6A1	white ash	A	+\$0
6K6	burnt oak	A	+\$0

Anigre Veneer - Low Sheen

For walnut (W)

967	smoked paldao, low sheen	A	+\$0
969	warm paldao, low sheen	A	+\$0

Premium Veneer - Matte

For walnut (W)

662	toasted walnut, matte sheen	A	+\$0
663	charred walnut, matte sheen	A	+\$0
664	bronzed walnut, matte sheen	A	+\$0
665	smoked walnut, matte sheen	A	+\$0
666	coffee walnut, matte sheen	A	+\$0
667	smoked paldao, quarter cut, matte sheen	A	+\$0
669	warm paldao, quarter cut, matte sheen	A	+\$0
68R	recograin rosewood	A	+\$0
69R	recograin rosewood	A	+\$0
GOU	natural walnut, flat cut, matte sheen	A	+\$0

RecoGrain Veneer

For walnut (W)

66G	recograin wenge	A	+\$0
69G	recograin wenge	A	+\$0

For walnut (W)

96G	wenge recograin, quarter cut, low sheen	A	+\$0
99G	recograin wenge, quarter cut, low sheen	A	+\$0

Low Sheen Finishes (on Walnut)

For walnut (W)

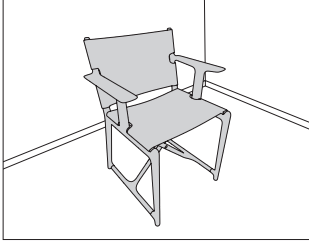
962	toasted walnut, low sheen	A	+\$0
963	charred walnut, low sheen	A	+\$0
964	bronzed walnut, low sheen	A	+\$0
965	smoked walnut, low sheen	A	+\$0
966	coffee walnut, low sheen	A	+\$0
972	sundance walnut	A	+\$0
98R	recograin rosewood	A	+\$0
99R	recograin rosewood	A	+\$0
G2U	light brown walnut, low sheen	A	+\$0
G40	dark brown walnut, low sheen	A	+\$0
EK	medium red walnut	A	+\$0

Crosshatch Side Chair *continued*

Step 4. Fabric	
Price Category 1	+\$0
Price Category 2	+\$37
Price Category (Geiger) 2	+\$37
Price Category (Geiger) 3	+\$46
Price Category 3	+\$46
Price Category 4	+\$56
Price Category (Geiger) 4	+\$56
Price Category (Geiger) 5	+\$82
Price Category 5	+\$82
Price Category (Geiger) 6	+\$0
Price Category (Geiger) 7	+\$132
Price Category (Geiger) 8	+\$203
Price Category 9	+\$252
Price Category (Geiger) 10	+\$290
Price Category (Geiger) 11	+\$324
Price Category 11	+\$324
Price Category (Geiger) 14	+\$425
Price Category (Geiger) C	+\$42
Price Category (Geiger) E	+\$66
Price Category (Geiger) G	+\$108
Price Category (Geiger) H	+\$134
Price Category (Geiger) I	+\$162
Price Category (Geiger) J	+\$190
Price Category (Geiger) K	+\$218
Price Category (Geiger) L	+\$476
Price Category (Geiger) M	+\$530
Price Category (Geiger) COL <input type="checkbox"/> A	+\$54
Price Category (Geiger) COM <input type="checkbox"/> A	+\$0
Step 5. Fire Retardancy	
NOCAL no cal-133 required <input type="checkbox"/> A	+\$0

Stanley Chair

XXSD1



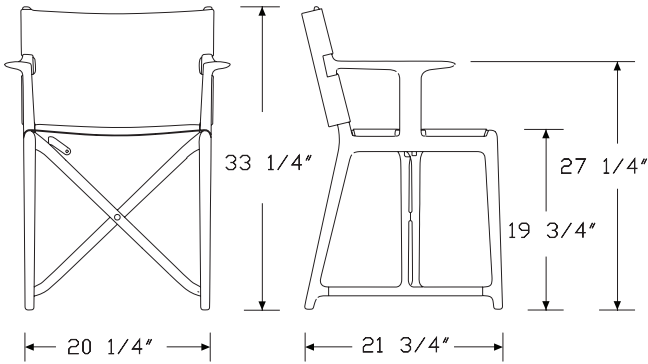
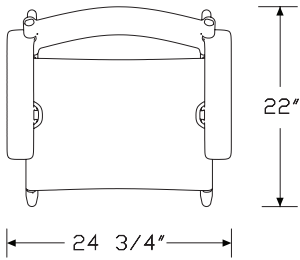
Herman Miller Collection—Side & Stacking Chairs

Product Information

Description

This folding chair has a polypropylene frame with glass fiber added. Seat and back are made with outdoor performance fabric. Chair is suitable for outdoor use. Sold individually.

Dimensions



Specification Information

Step 1.

XXSD193 A

Step 2. Textile Option

0 fabric seat and back A

Prices for Steps 1-2.

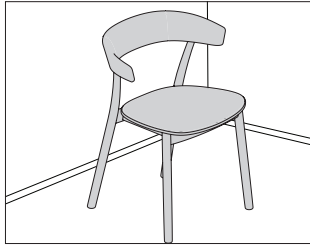
XXSD193 0 \$890

Step 3. Frame and Seat/Back Combination

- YZ1** white frame with white outdoor fabric A +\$0
- YZ2** black frame with black outdoor fabric A +\$0
- YZ3** beige frame with beige outdoor fabric A +\$0

Leeway™ Wood Side Chair

SVWUA
SVWUW
SVWWA
SVWWW



Product Information

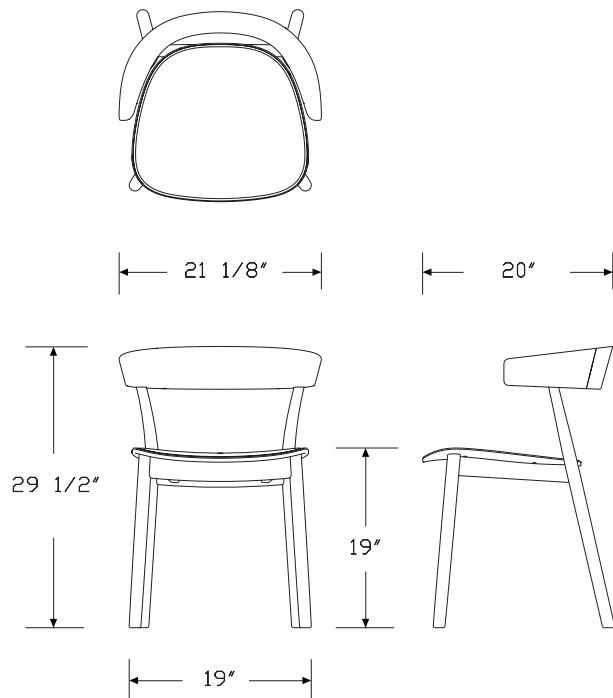
Description

This side chair has a solid wood frame available with or without an upholstered seat.

Notes

Customer's Own Material (COM) requires $\frac{3}{4}$ yard. Customer's Own Leather (COL) requires $13\frac{1}{2}$ square feet. See Order Information in appendices.

Dimensions



Specification Information

Step 1.

SVW A

Step 2. Seat

U upholstered seat A

W wood seat A

Step 3. Wood Species

A ash A

W walnut A

Prices for Steps 1-3.

SVWUA	\$1201
SVWUW	\$1606
SVWWA	\$1100
SVWWW	\$1505

Step 4. Wood Finish

For ash (A)

940	sundance cherry on maple, low sheen A	+\$0
943	caramel cherry, low sheen A	+\$0
946	cocoa cherry, low sheen A	+\$0
956	cocoa sapele, low sheen A	+\$0
962	toasted walnut, low sheen A	+\$0
963	charred walnut, low sheen A	+\$0
964	bronzed walnut, low sheen A	+\$0
965	smoked walnut, low sheen A	+\$0
966	coffee walnut, low sheen A	+\$0
967	smoked paldao, low sheen A	+\$0
969	warm paldao, low sheen A	+\$0
96A	recograin frosty ash, low sheen A	+\$0
96G	recograin wenge, low sheen A	+\$0
96W	recograin walnut, low sheen A	+\$0
977	chocolate ash, low sheen A	+\$0
98R	recograin rosewood, low sheen A	+\$0
98W	recograin walnut, low sheen A	+\$0
991	champagne ash, low sheen A	+\$0
998	ebony ash, low sheen A	+\$0
99G	recograin wenge, low sheen A	+\$0
99R	recograin rosewood, low sheen A	+\$0
99T	recograin teak, low sheen A	+\$0
99W	recograin walnut, low sheen A	+\$0
9A1	white ash, low sheen A	+\$0
9K1	rift oak, low sheen A	+\$0
9K6	burnt oak, low sheen A	+\$0
ED	aged cherry, low sheen A	+\$0
EK	medium red walnut, low sheen A	+\$0
G2U	light brown walnut, low sheen A	+\$0
G40	dark brown walnut, low sheen A	+\$0
UX	walnut on cherry, low sheen A	+\$0

For ash (A)

662	toasted walnut, matte sheen A	+\$0
663	charred walnut, matte sheen A	+\$0
664	bronzed walnut, matte sheen A	+\$0
665	smoked walnut, matte sheen A	+\$0
666	coffee walnut, matte sheen A	+\$0
667	smoked paldao, matte sheen A	+\$0
669	warm paldao, matte sheen A	+\$0
66A	recograin frosty ash, matte sheen A	+\$0
66G	recograin wenge, matte sheen A	+\$0
66W	recograin walnut, matte sheen A	+\$0
677	chocolate ash, matte sheen A	+\$0
68R	recograin rosewood, matte sheen A	+\$0
68W	recograin walnut, matte sheen A	+\$0
69A	recograin frosty ash, matte sheen A	+\$0
69G	recograin wenge, matte sheen A	+\$0
69R	recograin rosewood, matte sheen A	+\$0
69T	recograin teak, matte sheen A	+\$0
69W	recograin walnut, matte sheen A	+\$0
6A1	white ash, matte sheen A	+\$0
6ET	clear on ash, ash solid, matte sheen A	+\$0
6EU	oak on ash, oak solid, matte sheen A	+\$0
6EV	walnut on ash, walnut solid, matte sheen A	+\$0
6K1	rift oak, matte sheen A	+\$0
6K6	burnt oak, matte sheen A	+\$0
ET	clear on ash, matte sheen A	+\$0
EU	oak on ash, matte sheen A	+\$0
EV	walnut on ash, matte sheen A	+\$0
GOU	walnut, matte sheen A	+\$0

For walnut (W)

962	toasted walnut, low sheen A	+\$0
963	charred walnut, low sheen A	+\$0
964	bronzed walnut, low sheen A	+\$0
965	smoked walnut, low sheen A	+\$0
966	coffee walnut, low sheen A	+\$0
967	smoked paldao, low sheen A	+\$0
969	warm paldao, low sheen A	+\$0
96G	recograin wenge, low sheen A	+\$0
972	sundance walnut, low sheen A	+\$0
98R	recograin rosewood, low sheen A	+\$0
99G	recograin wenge, low sheen A	+\$0
EK	medium red walnut, low sheen A	+\$0
G2U	light brown walnut, low sheen A	+\$0
G40	dark brown walnut, low sheen A	+\$0

Leeway™ Wood Side Chair *continued*

For walnut (W)

662	toasted walnut, matte sheen <input type="checkbox"/> A	+\$0
663	charred walnut, matte sheen <input type="checkbox"/> A	+\$0
664	bronzed walnut, matte sheen <input type="checkbox"/> A	+\$0
665	smoked walnut, matte sheen <input type="checkbox"/> A	+\$0
666	coffee walnut, matte sheen <input type="checkbox"/> A	+\$0
667	smoked paldao, matte sheen <input type="checkbox"/> A	+\$0
669	warm paldao, matte sheen <input type="checkbox"/> A	+\$0
66G	recograin wenge, matte sheen <input type="checkbox"/> A	+\$0
68R	recograin rosewood, matte sheen <input type="checkbox"/> A	+\$0
69G	recograin wenge, matte sheen <input type="checkbox"/> A	+\$0
69R	recograin rosewood, matte sheen <input type="checkbox"/> A	+\$0
6EV	walnut on ash, walnut solid, matte sheen <input type="checkbox"/> A	+\$0
EV	walnut on ash, matte sheen <input type="checkbox"/> A	+\$0
GOU	walnut, matte sheen <input type="checkbox"/> A	+\$0

Step 5. Fabric

For upholstered seat (U)

Price Category 4	+\$56
Price Category (Geiger) COL <input type="checkbox"/> A	+\$54
Price Category (Geiger) COM <input type="checkbox"/> A	+\$0
Price Category 1	+\$0
Price Category (Geiger) 2	+\$0
Price Category 2	+\$37
Price Category (Geiger) 3	+\$46
Price Category 3	+\$46
Price Category (Geiger) 4	+\$56
Price Category (Geiger) 5	+\$82
Price Category 5	+\$82
Price Category (Geiger) 6	+\$108
Price Category (Geiger) 7	+\$132
Price Category (Geiger) 8	+\$203
Price Category 9	+\$252
Price Category (Geiger) 10	+\$290
Price Category (Geiger) 11	+\$324
Price Category 11	+\$324
Price Category (Geiger) 14	+\$425
Price Category (Geiger) C	+\$66
Price Category (Geiger) D	+\$55
Price Category (Geiger) E	+\$66
Price Category (Geiger) F	+\$80
Price Category (Geiger) G	+\$73
Price Category (Geiger) H	+\$134
Price Category (Geiger) J	+\$190
Price Category (Geiger) K	+\$218
Price Category (Geiger) L	+\$246
Price Category (Geiger) M	+\$273

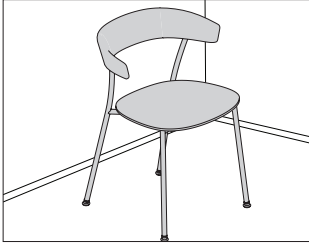
Step 6. Fire Retardancy

For upholstered seat (U)

NOCAL not fire retardant <input type="checkbox"/> A	+\$0
--	------

Leeway™ Metal Frame Side Chair

SVMP
SVMUA
SVMUW
SVMWA
SVMWW



Product Information

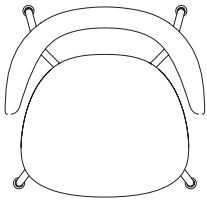
Description

This side chair has a solid wood seat and back with a metal frame or a polyurethane seat and back with a metal frame. All options available with or without an upholstered seat.

Notes

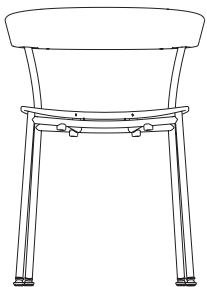
Customer's Own Material (COM) requires 1/2 yard. Customer's Own Leather (COL) requires 9 square feet. See Order Information in appendices.

Dimensions



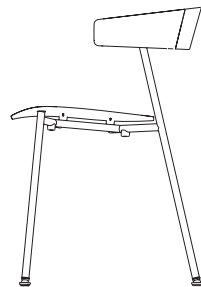
21 1/8"

20 1/8"



29 1/2"

19"



19 1/2"

Specification Information

Step 1.

SVM

Step 2. Seat/Back

U upholstered seat, wood back

W wood seat and back

P polyurethane seat and back

Step 3. Wood Species

A ash

W walnut

Prices for Steps 1-3.

SVMUA	\$998
SVMUW	\$1302
SVMWA	\$897
SVMWW	\$1201
SVMP	\$593

Step 4. Frame Finish

BK black <input type="checkbox"/>	+\$0
SAC satin chrome <input type="checkbox"/>	+\$84

Leeway™ Metal Frame Side Chair

continued

Step 5. Seat/Back Finish

For upholstered seat, wood back (U) or wood seat and back (W) with ash (A)

940	sundance cherry on maple, low sheen <input type="checkbox"/> A	+\$0
943	caramel cherry, low sheen <input type="checkbox"/> A	+\$0
946	cocoa cherry, low sheen <input type="checkbox"/> A	+\$0
956	cocoa sapele, low sheen <input type="checkbox"/> A	+\$0
962	toasted walnut, low sheen <input type="checkbox"/> A	+\$0
963	charred walnut, low sheen <input type="checkbox"/> A	+\$0
964	bronzed walnut, low sheen <input type="checkbox"/> A	+\$0
965	smoked walnut, low sheen <input type="checkbox"/> A	+\$0
966	coffee walnut, low sheen <input type="checkbox"/> A	+\$0
967	smoked paldao, low sheen <input type="checkbox"/> A	+\$0
969	warm paldao, low sheen <input type="checkbox"/> A	+\$0
96A	recograin frosty ash, low sheen <input type="checkbox"/> A	+\$0
96G	recograin wenge, low sheen <input type="checkbox"/> A	+\$0
96W	recograin walnut, low sheen <input type="checkbox"/> A	+\$0
977	chocolate ash, low sheen <input type="checkbox"/> A	+\$0
98R	recograin rosewood, low sheen <input type="checkbox"/> A	+\$0
98W	recograin walnut, low sheen <input type="checkbox"/> A	+\$0
991	champagne ash, low sheen <input type="checkbox"/> A	+\$0
998	ebony ash, low sheen <input type="checkbox"/> A	+\$0
99G	recograin wenge, low sheen <input type="checkbox"/> A	+\$0
99R	recograin rosewood, low sheen <input type="checkbox"/> A	+\$0
99T	recograin teak, low sheen <input type="checkbox"/> A	+\$0
99W	recograin walnut, low sheen <input type="checkbox"/> A	+\$0
9A1	white ash, low sheen <input type="checkbox"/> A	+\$0
9K1	rift oak, low sheen <input type="checkbox"/> A	+\$0
9K6	burnt oak, low sheen <input type="checkbox"/> A	+\$0
ED	aged cherry, low sheen <input type="checkbox"/> A	+\$0
EK	medium red walnut, low sheen <input type="checkbox"/> A	+\$0
G2U	light brown walnut, low sheen <input type="checkbox"/> A	+\$0
G40	dark brown walnut, low sheen <input type="checkbox"/> A	+\$0
UX	walnut on cherry, low sheen <input type="checkbox"/> A	+\$0

For upholstered seat, wood back (U) or wood seat and back (W) with ash (A)

662	toasted walnut, matte sheen <input type="checkbox"/> A	+\$0
663	charred walnut, matte sheen <input type="checkbox"/> A	+\$0
664	bronzed walnut, matte sheen <input type="checkbox"/> A	+\$0
665	smoked walnut, matte sheen <input type="checkbox"/> A	+\$0
666	coffee walnut, matte sheen <input type="checkbox"/> A	+\$0
667	smoked paldao, matte sheen <input type="checkbox"/> A	+\$0
669	warm paldao, matte sheen <input type="checkbox"/> A	+\$0
66A	recograin frosty ash, matte sheen <input type="checkbox"/> A	+\$0
66G	recograin wenge, matte sheen <input type="checkbox"/> A	+\$0
66W	recograin walnut, matte sheen <input type="checkbox"/> A	+\$0
677	chocolate ash, matte sheen <input type="checkbox"/> A	+\$0
68R	recograin rosewood, matte sheen <input type="checkbox"/> A	+\$0
68W	recograin walnut, matte sheen <input type="checkbox"/> A	+\$0
69A	recograin frosty ash, matte sheen <input type="checkbox"/> A	+\$0
69G	recograin wenge, matte sheen <input type="checkbox"/> A	+\$0
69R	recograin rosewood, matte sheen <input type="checkbox"/> A	+\$0
69T	recograin teak, matte sheen <input type="checkbox"/> A	+\$0
69W	recograin walnut, matte sheen <input type="checkbox"/> A	+\$0
6A1	white ash, matte sheen <input type="checkbox"/> A	+\$0
6ET	clear on ash, matte sheen <input type="checkbox"/> A	+\$0
6EU	clear on oak, matte sheen <input type="checkbox"/> A	+\$0
6EV	walnut on ash, matte sheen <input type="checkbox"/> A	+\$0
6K1	rift oak, matte sheen <input type="checkbox"/> A	+\$0
6K6	burnt oak, matte sheen <input type="checkbox"/> A	+\$0
ET	clear on ash, matte sheen <input type="checkbox"/> A	+\$0
EU	oak on ash, matte sheen <input type="checkbox"/> A	+\$0
EV	walnut on ash, matte sheen <input type="checkbox"/> A	+\$0
GOU	walnut, matte sheen <input type="checkbox"/> A	+\$0

Leeway™ Metal Frame Side Chair

continued

For upholstered seat, wood back (U) or wood seat and back (W) with walnut (W)

962	toasted walnut, low sheen <input type="checkbox"/>	+\$0
963	charred walnut, low sheen <input type="checkbox"/>	+\$0
964	bronzed walnut, low sheen <input type="checkbox"/>	+\$0
965	smoked walnut, low sheen <input type="checkbox"/>	+\$0
966	coffee walnut, low sheen <input type="checkbox"/>	+\$0
967	smoked paldao, low sheen <input type="checkbox"/>	+\$0
969	warm paldao, low sheen <input type="checkbox"/>	+\$0
96G	recograin wenge, low sheen <input type="checkbox"/>	+\$0
972	sundance walnut, low sheen <input type="checkbox"/>	+\$0
98R	recograin rosewood, low sheen <input type="checkbox"/>	+\$0
99G	recograin wenge, low sheen <input type="checkbox"/>	+\$0
99R	recograin rosewood, low sheen <input type="checkbox"/>	+\$0
EK	medium red walnut, low sheen <input type="checkbox"/>	+\$0
G2U	light brown walnut, low sheen <input type="checkbox"/>	+\$0
G40	dark brown walnut, low sheen <input type="checkbox"/>	+\$0

For upholstered seat, wood back (U) or wood seat and back (W) with walnut (W)

662	toasted walnut, matte sheen <input type="checkbox"/>	+\$0
663	charred walnut, matte sheen <input type="checkbox"/>	+\$0
664	bronzed walnut, matte sheen <input type="checkbox"/>	+\$0
665	smoked walnut, matte sheen <input type="checkbox"/>	+\$0
666	coffee walnut, matte sheen <input type="checkbox"/>	+\$0
667	smoked paldao, matte sheen <input type="checkbox"/>	+\$0
669	warm paldao, matte sheen <input type="checkbox"/>	+\$0
66G	recograin wenge, matte sheen <input type="checkbox"/>	+\$0
68R	recograin rosewood, matte sheen <input type="checkbox"/>	+\$0
69G	recograin wenge, matte sheen <input type="checkbox"/>	+\$0
69R	recograin rosewood, matte sheen <input type="checkbox"/>	+\$0
6EV	walnut on ash, matte sheen <input type="checkbox"/>	+\$0
EV	walnut on ash, matte sheen <input type="checkbox"/>	+\$0
GOU	walnut, matte sheen <input type="checkbox"/>	+\$0

For polyurethane seat and back (P)

BK	black <input type="checkbox"/>	+\$0
-----------	--------------------------------	------

Step 6. Fabric

For upholstered seat, wood back (U)

Price Category 4	+\$38
Price Category (Geiger) COL <input type="checkbox"/>	+\$36
Price Category (Geiger) COM <input type="checkbox"/>	+\$0
Price Category 1	+\$0
Price Category (Geiger) 2	+\$0
Price Category 2	+\$25
Price Category (Geiger) 3	+\$31
Price Category 3	+\$31
Price Category (Geiger) 4	+\$38
Price Category (Geiger) 5	+\$55
Price Category 5	+\$55
Price Category (Geiger) 6	+\$72
Price Category (Geiger) 7	+\$89
Price Category (Geiger) 8	+\$135
Price Category 9	+\$168
Price Category (Geiger) 10	+\$193
Price Category (Geiger) 11	+\$217
Price Category 11	+\$217
Price Category (Geiger) 14	+\$284
Price Category (Geiger) C	+\$28
Price Category (Geiger) D	+\$37
Price Category (Geiger) E	+\$45
Price Category (Geiger) F	+\$53
Price Category (Geiger) G	+\$73
Price Category (Geiger) H	+\$90
Price Category (Geiger) J	+\$127
Price Category (Geiger) K	+\$146
Price Category (Geiger) L	+\$164
Price Category (Geiger) M	+\$183

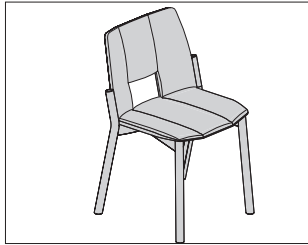
Step 7. Fire Retardancy

For upholstered seat, wood back (U)

NOCAL not fire retardant <input type="checkbox"/>	+\$0
--	------

Tronco Upholstered Chair

MC12.

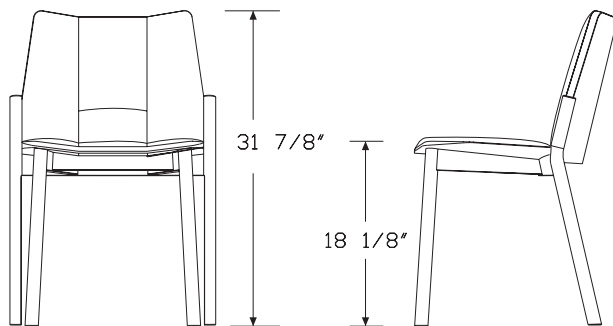
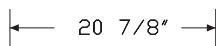
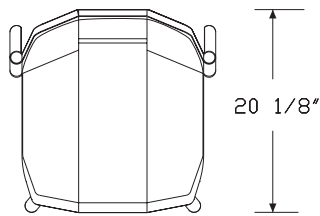


Product Information

Description

This chair has an ash frame in a range of finishes with an upholstered seat and back. Chair stacks up to 5 high on the floor or up to 10 high on appropriate dolly.

Dimensions



Specification Information

Step 1.

MC12. A \$1760

Step 2. Frame

YSA ash +\$0

Step 3. Finish

YNL natural A +\$0

YBC black +\$0

YBP white A +\$0

YRL red A +\$0

WNS walnut stained A +\$0

CNS chestnut stained A +\$0

Step 4. Fabric

YDG01 topia ebony A +\$0

YDG04 topia moon A +\$0

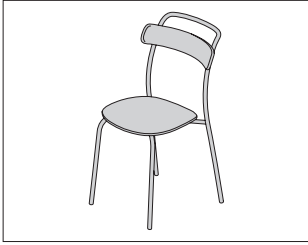
YDG11 topia walnut A +\$0

YDG12 topia chili A +\$0

YDG13 topia palm A +\$0

Forcina Chair

MC16C.



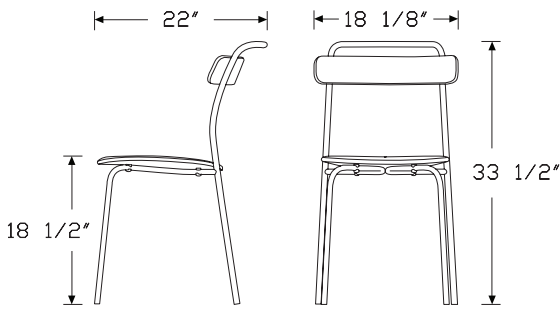
Herman Miller Collection—Side & Stacking Chairs

Product Information

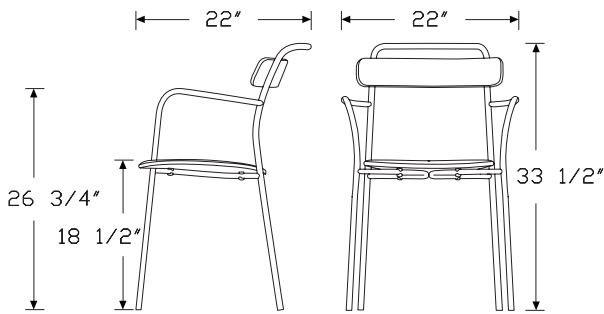
Description

This chair has seat and back in ash, oak, or robinia and comes with or without arms. Robinia finish is suitable for outdoor use. Chair stacks up to 3 high. Ships assembled.

Dimensions



Chair, No Arms



Chair, Arms

Specification Information

Step 1.

MC16C.

Step 2. Arms

A	arms	+\$1195
N	no arms	+\$995

Step 3. Frame Finish

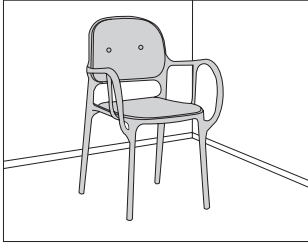
A	black stainless steel	+\$0
N	brushed stainless steel	+\$330

Step 4. Seat and Back Finish

YQB	black anilin ash	+\$0
YQC	natural ash	+\$0
YFC	natural oak	+\$100
YGS	robinia	+\$100

Milà Upholstered Chair

SD210

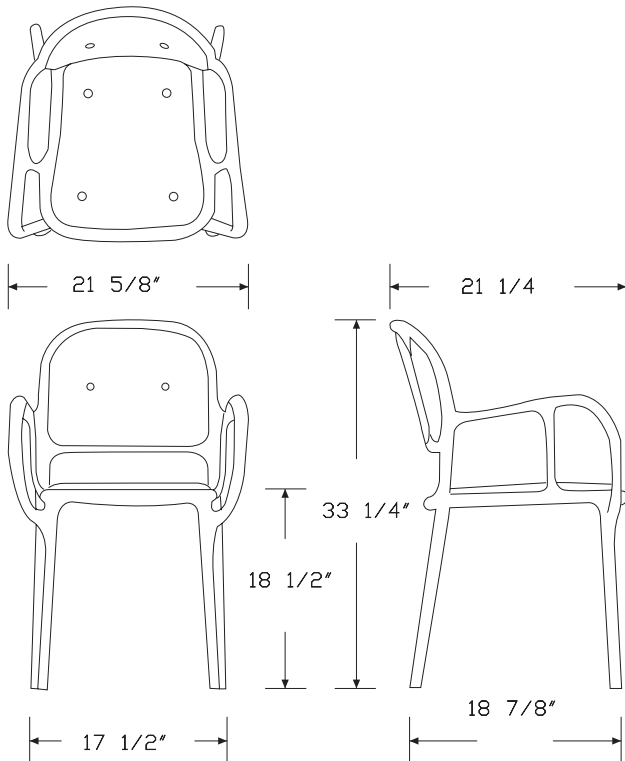


Product Information

Description

This plastic chair has an upholstered seat pad or upholstered seat and back. Package contains 2 chairs.

Dimensions



Specification Information

Step 1.

SD210 A

Step 2. Upholstery

5 seat/back upholstery A

6 seat pad only A

Prices for Steps 1-2.

SD210 5	\$1620
6	\$1400

Step 3. Finish

1484C red <input type="checkbox"/> A	+\$0
1556C dark green <input type="checkbox"/> A	+\$0
1666C yellow <input type="checkbox"/> A	+\$0
1733C beige <input type="checkbox"/> A	+\$0
1738C white <input type="checkbox"/> A	+\$0
1769C black <input type="checkbox"/> A	+\$0

Step 4. Fabric

For red (1484C)

F-130 KingLKat red A +\$0

For dark green (1556C)

F-359 KingLKat green A +\$0

For yellow (1666C)

F-579 KingLKat yellow A +\$0

For beige (1733C)

F-459 KingLKat beige A +\$0

For white (1738C)

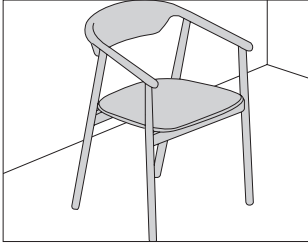
F-739 KingLKat white A +\$0

For black (1769C)

F-198 KingLKat black A +\$0

Leva Chair

MC21.



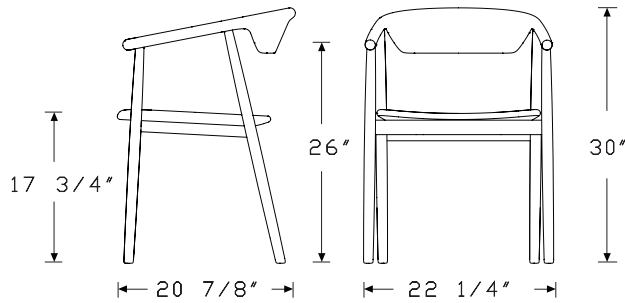
Herman Miller Collection—Side & Stacking Chairs

Product Information

Description

This chair is machined from a single piece of solid ash and is available in a choice of finishes. Nonremovable seat upholstery is available.

Dimensions



Specification Information

Step 1.

MC21. A

Step 2. Upholstery

N no upholstery

U upholstered seat A

Prices for Steps 1-2.

MC21. N	\$1200
U	\$1750

Step 3. Frame Finish

YPF red ash <input type="checkbox"/> A	+\$0
YPG yellow ash <input type="checkbox"/> A	+\$0
YPH grey ash <input type="checkbox"/> A	+\$0
YQB black ash <input type="checkbox"/> A	+\$0
ZQS natural ash <input type="checkbox"/> A	+\$0

Step 4. Fabric

For upholstered seat (U)

YPL kvadrat basel 121 <input type="checkbox"/> A	+\$0
YPN kvadrat steelcut trio ^{2/105} <input type="checkbox"/> A	+\$0
ZT7 sorensen pure nature leather <input type="checkbox"/> A	+\$775
ZT8 sorensen shade pitch black leather <input type="checkbox"/> A	+\$325

Eames® Aluminum Group Lounge Chair EA316
 Chair EA322



Product Information

Description

This low-back chair has a lightweight aluminum frame with suspended upholstery. It has a 4-star base with 1/2" (GD) glides for hard floors or carpet, swivel mechanism, and fixed seat height.

Notes

Chair is tested and warranted for use by persons 300 pounds and under. When chair is specified with Cygnus™ mesh, it meets CAL 133 requirements.

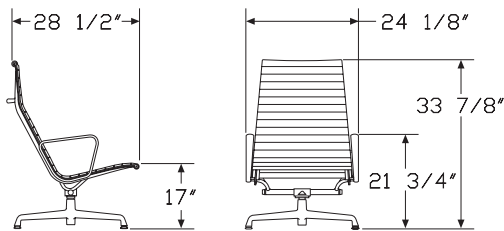
For description of glide, see Casters and Glides in Appendices.

For chair without headrest (EA316), Customer's Own Material (COM) requires 1 3/4 yards. Customer's Own Leather (COL) requires 55 square feet. See Order Information in Appendices.

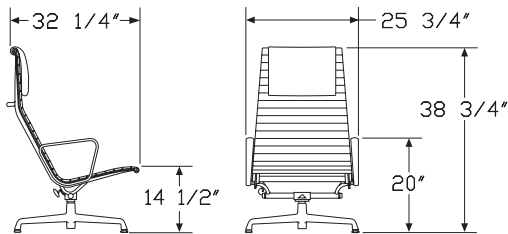
For chair with headrest (EA322), Customer's Own Material (COM) requires 3 yards. Customer's Own Leather (COL) requires 55 square feet. See Order Information in Appendices.

Dimensions

Swivel



Tilt Swivel



Specification Information

Step 1.

EA3 A

Step 2. Tilt/Arms

16 swivel and arms A

22 tilt swivel, arms, and headrest A

Prices for Steps 1-2.

EA316 \$2103

EA322 \$2277

Step 3. Base/Frame Finish

L polished aluminum A +\$0

BK black A +\$133

91 white A +\$133

EP eggplant A +\$133

Eames® Aluminum Group Lounge Chair *continued*

HermanMiller Collection—Lounge Seating

Step 4. Fabric

For swivel and arms (16)

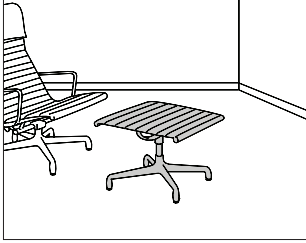
Price Category 1	+\$0
Price Category 2	+\$57
Price Category 3	+\$129
Price Category 4	+\$185
Price Category (Geiger) 4	+\$185
Price Category 5	+\$205
Price Category (Geiger) 5	+\$205
Price Category 6	+\$250
Price Category (Geiger) 6	+\$250
Price Category 7 A	+\$248
Price Category (Geiger) 7	+\$248
Price Category 8	+\$444
Price Category 9	+\$640
Price Category (Geiger) 10	+\$724
Price Category 10M	+\$964
Price Category 11	+\$851
Price Category B	+\$57
Price Category C	+\$80
Price Category D	+\$103
Price Category E	+\$124
Price Category F	+\$161
Price Category G	+\$209
Price Category H	+\$254
Price Category I	+\$298
Price Category J	+\$343
Price Category K	+\$387
Price Category L	+\$432

For tilt swivel, arms, and headrest (22)

Price Category 1	+\$0
Price Category 2	+\$57
Price Category 3	+\$129
Price Category 4	+\$185
Price Category (Geiger) 4	+\$185
Price Category 5	+\$205
Price Category (Geiger) 5	+\$205
Price Category 6	+\$428
Price Category (Geiger) 6	+\$428
Price Category 7	+\$248
Price Category 8	+\$444
Price Category 9	+\$640
Price Category (Geiger) 10	+\$979
Price Category 10M	+\$1071
Price Category 11	+\$851
Price Category B	+\$57
Price Category C	+\$80
Price Category D	+\$103
Price Category E	+\$124
Price Category F	+\$161
Price Category G	+\$209
Price Category H	+\$254
Price Category I	+\$298
Price Category J	+\$343
Price Category K	+\$387
Price Category L	+\$432

Eames® Aluminum Group
Ottoman

EA323



Product Information

Description

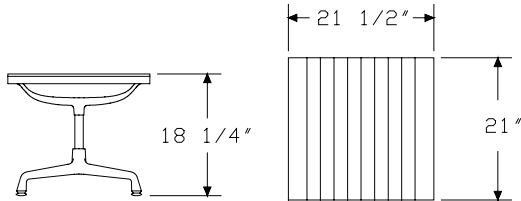
This upholstered ottoman has a lightweight aluminum frame and 1/2" (GD) glides for hard floors or carpet.

Notes

When ottoman is specified with Cygnus™ mesh, it meets CAL 133 requirements.

For description of glides, see Casters and Glides in Appendices. Customer's Own Material (COM) requires 1 yard. Customer's Own Leather (COL) requires 20 square feet. See Order Information in Appendices.

Dimensions



Specification Information

Step 1.

EA323 A \$1012

Step 2. Base/Frame Finish

L	polished aluminum	A	+\$0
BK	black	A	+\$69
91	white	A	+\$69
EP	eggplant	A	+\$69

Step 3. Fabric

See application chart and textiles list for fabric usage and numbers. First 2 digits of number indicate fabric line; remaining digit(s) indicate fabric color.

Price Category 1	+\$0
Price Category 2	+\$30
Price Category 3	+\$57
Price Category 4	+\$86
Price Category (Geiger) 4	+\$86
Price Category 5	+\$108
Price Category (Geiger) 5	+\$0
Price Category 6	+\$129
Price Category (Geiger) 6	+\$129
Price Category 7 A	+\$113
Price Category (Geiger) 7	+\$113
Price Category 8	+\$162
Price Category 9	+\$290
Price Category (Geiger) 10	+\$330
Price Category 10M	+\$386
Price Category 11	+\$342
Price Category B	+\$29
Price Category C	+\$43
Price Category D	+\$59
Price Category E	+\$71
Price Category F	+\$92
Price Category G	+\$119
Price Category H	+\$145
Price Category I	+\$170
Price Category J	+\$196
Price Category K	+\$221
Price Category L	+\$247

HermanMiller Collection—Lounge Seating

Eames® Soft Pad Lounge Chair

EA416
EA422



HermanMiller Collection—Lounge Seating

Product Information

Description

This high-back chair has a lightweight aluminum frame and 2"-thick upholstered foam cushions. It has a 4-star base with 1/2" (GD) glides for hard floors or carpet and a fixed seat height.

Notes

Chair is tested and warranted for use by persons 300 pounds and under. For description of glides, see Casters and Glides in Appendices. Customer's Own Material (COM) requires 3 yards for 3-cushion chair and 4 yards for 4-cushion chair. Customer's Own Leather (COL) requires 56 square feet for 3-cushion chair and 63 square feet for 4-cushion chair. See Order Information in Appendices.

Dimensions

Specification Information

Step 1.

EA4 A

Step 2. Tilt/Number of Cushions/Arms

16 swivel, 3 cushions, and arms A

22 tilt swivel, 4 cushions, and arms A

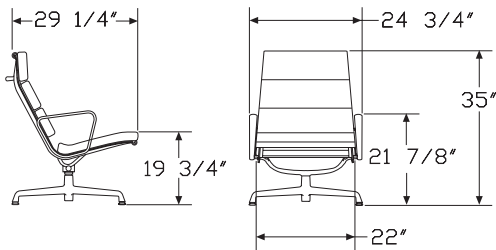
Prices for Steps 1-2.

EA416	\$3657
EA422	\$3710

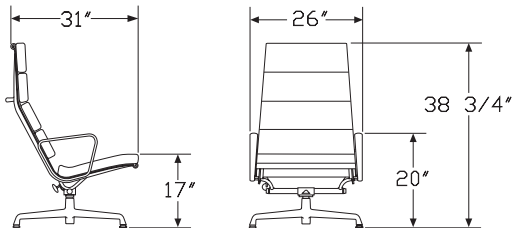
Step 3. Base/Frame Finish

L	polished aluminum <input type="checkbox"/> A	+\$0
BK	black <input type="checkbox"/> A	+\$133
91	white <input type="checkbox"/> A	+\$133
EP	eggplant <input type="checkbox"/> A	+\$133

Swivel



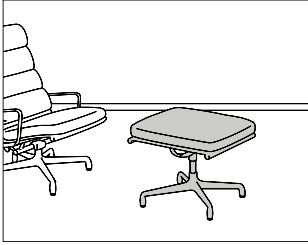
Tilt Swivel



Eames® Soft Pad Lounge Chair

continued

Step 4. Fabric	
Price Category (Geiger) 4	+\$270
Price Category 1	+\$0
Price Category 2	+\$73
Price Category 3	+\$169
Price Category (Geiger) 3	+\$169
Price Category 4	+\$270
Price Category 5	+\$339
Price Category (Geiger) 5	+\$339
Price Category 6	+\$350
Price Category (Geiger) 6	+\$350
Price Category 7	+\$360
Price Category (Geiger) 7	+\$360
Price Category 8	+\$455
Price Category 9	+\$649
Price Category (Geiger) 10	+\$669
Price Category 10M	+\$1127
Price Category 11	+\$965
Price Category B	+\$99
Price Category C	+\$139
Price Category D	+\$176
Price Category E	+\$213
Price Category F	+\$275
Price Category G	+\$358
Price Category H	+\$435
Price Category I	+\$511
Price Category J	+\$588
Price Category K	+\$664
Price Category L	+\$740
Price Category M	+\$817
Price Category N	+\$893
Price Category P	+\$1046



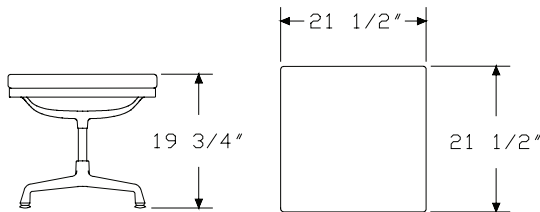
HermanMiller Collection—Lounge Seating

Product Information

Description
 This ottoman has a lightweight aluminum frame, a 2"-thick upholstered foam cushion, and 1/2" (GD) glides for hard floors or carpet.

Notes
 For description of glides, see Casters and Glides in Appendices.
 Customer's Own Material (COM) requires 1 1/4 yards. Customer's Own Leather (COL) requires 27 square feet. See Order Information in Appendices.

Dimensions



Specification Information

Step 1.
EA423 [A] \$1549

Step 2. Base/Frame Finish

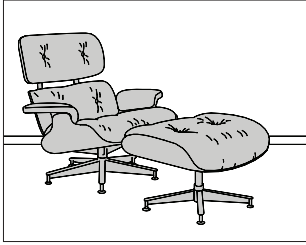
L	polished aluminum [A]	+\$0
BK	black [A]	+\$69
91	white [A]	+\$69
EP	eggplant [A]	+\$69

Step 3. Fabric
 See application chart and textiles list for fabric usage and numbers.
 First 2 digits of number indicate fabric line; remaining digit(s) indicate fabric color.

Price Category (Geiger) 4	+\$134
Price Category 1	+\$0
Price Category 2	+\$72
Price Category 3	+\$108
Price Category (Geiger) 3	+\$108
Price Category 4	+\$134
Price Category 5	+\$148
Price Category (Geiger) 5	+\$148
Price Category 6	+\$165
Price Category (Geiger) 6	+\$490
Price Category 7	+\$144
Price Category (Geiger) 7	+\$144
Price Category 8	+\$219
Price Category 9	+\$318
Price Category (Geiger) 10	+\$359
Price Category 10M	+\$543
Price Category 11	+\$454
Price Category B	+\$36
Price Category C	+\$56
Price Category D	+\$74
Price Category E	+\$88
Price Category F	+\$115
Price Category G	+\$149
Price Category H	+\$181
Price Category I	+\$213
Price Category J	+\$245
Price Category K	+\$277
Price Category L	+\$309
Price Category M	+\$340
Price Category N	+\$372
Price Category P	+\$436

Eames® Lounge Chair and Ottoman

ES670



Product Information

Description

This fixed-height chair has a molded veneer seat and back shell; the ottoman has a molded veneer shell. Both the chair and ottoman have foam cushions with leather upholstery and a black enameled base with polished aluminum accents. The chair has a swivel mechanism.

Notes

Santos palisander veneer is celebrated for its unique grain and color variations. Similar products ordered in multiples or dissimilar products ordered separately should be expected to have variation in both grain and color characteristics.

The Eames® Lounge is handcrafted and should be celebrated as such.

No two chairs are alike.

Dimensions should be noted as reference guides and can vary up to $\frac{3}{4}$ ".

See illustration with dimensional chart for standard and tall versions.

Description of dimensions is below.

Given the degree of variation, below are the exact points from which dimensions are taken (reference to panel relates to the wood panel of chair shell):

A—Overall Depth is taken from front of seat panel to top of back panel.

B—Sit Height is taken from highest point of seat cushion to the floor.

C—Overall Width is measured from the outside edge of each arm rest.

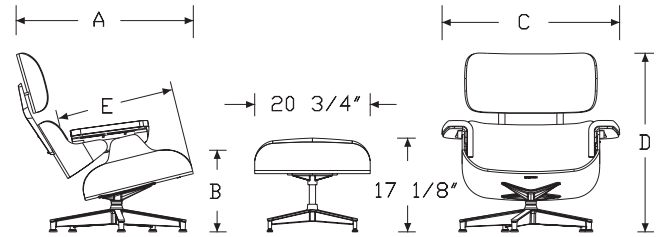
D—Overall Height is measured from top of back panel to the floor.

E—Seat Depth is taken from where seat cushion meets bottom back

panel cushion to front of seat panel.

Customer's Own Leather (COL) for the classic size (ES67071) requires 55 square feet, and for the tall size (ES67071T) requires 70 square feet. See Order Information in Appendices.

Dimensions



Size	A	B	C	D	E
Classic	35"	16"	33 1/2"	31 1/2"	21 1/4"
Tall	37 3/4"	16 1/2"	33 1/2"	33 1/4"	23 1/4"

Eames® Lounge Chair and Ottoman *continued*

HermanMiller Collection—Lounge Seating

Specification Information

Step 1.

ES6707 A

Step 2. Size

1 classic A
1T tall A

Prices for Steps 1-2.

ES6707 1	\$5369
1T	\$5601

Step 3. Shell Finish

OU walnut <input type="checkbox"/> A	+\$0
5Q oiled walnut <input type="checkbox"/> A	+\$979
9N santos palisander <input type="checkbox"/> A	+\$1014
5D oiled santos palisander <input type="checkbox"/> A	+\$1977

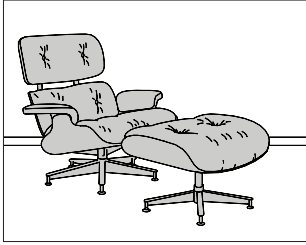
Step 4. Material

*See application chart and textiles list for fabric usage and numbers.
 First 2 digits of number indicate fabric line; remaining digit(s) indicate fabric color.*

Price Category 7 <input type="checkbox"/> A	+\$300
Price Category 9	+\$612
Price Category (Geiger) 10	+\$768
Price Category 10M	+\$1383
Price Category 11	+\$893
Price Category (Geiger) 11	+\$924
Price Category L	+\$1225

Eames® Lounge Chair and Ottoman, Ebony

ES670



Product Information

Description

This fixed-height chair and ottoman has a molded ebony ash plywood shell and foam cushions with black leather upholstery. The chair base, back supports, and ottoman base are black enamel with aluminum accents. The chair has a swivel mechanism.

Notes

The Eames® Lounge is handcrafted and should be celebrated as such.

No two chairs are alike.

Dimensions should be noted as reference guides and can vary up to $\frac{3}{4}$ ".

See illustration with dimensional chart for standard and tall versions.

Description of dimensions is below.

Given the degree of variation, below are the exact points from which dimensions are taken (reference to panel relates to the wood panel of chair shell):

A—Overall Depth is taken from front of seat panel to top of back panel.

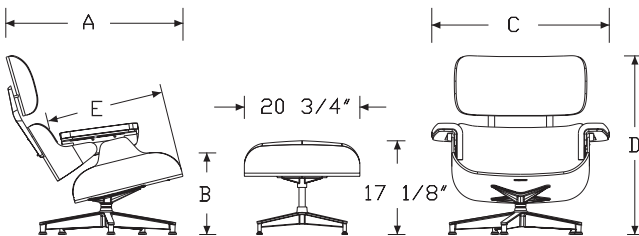
B—Sit Height is taken from highest point of seat cushion to the floor.

C—Overall Width is measured from the outside edge of each arm rest.

D—Overall Height is measured from top of back panel to the floor.

E—Seat Depth is taken from where seat cushion meets bottom back panel cushion to front of seat panel.

Dimensions



Size	A	B	C	D	E
Classic	35"	16"	33 1/2"	31 1/2"	21 1/4"
Tall	37 3/4"	16 1/2"	33 1/2"	33 1/4"	23 1/4"

Specification Information

Step 1.

ES67071E A

Step 2. Size

N classic A

NT tall A

Prices for Steps 1-2.

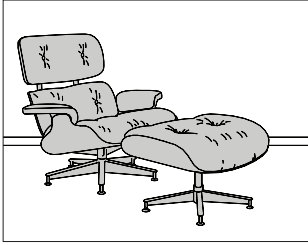
ES67071E N	\$5885
NT	\$6094

Step 3. Material

Price Category 7 <input type="checkbox"/> A	+\$300
Price Category 11	+\$893
Price Category L	+\$1225

Eames® Lounge Chair and Ottoman White Ash

ES670



HermanMiller Collection—Lounge Seating

Product Information

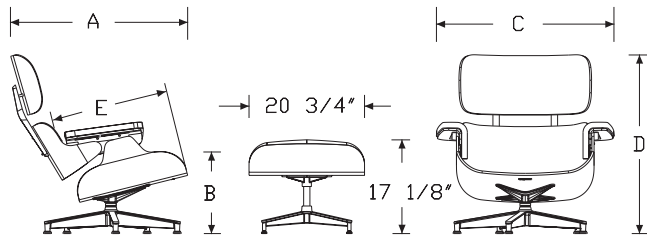
Description
 This fixed-height chair and ottoman has a molded white ash plywood shell and foam cushions with white leather upholstery. The chair base, back supports, and ottoman base are white enamel with aluminum accents. The chair has a swivel mechanism.

Notes

The Eames® Lounge is handcrafted and should be celebrated as such. No two chairs are alike. Dimensions should be noted as reference guides and can vary up to 3/4". See illustration with dimensional chart for standard and tall versions. Description of dimensions is below.

Given the degree of variation, below are the exact points from which dimensions are taken (reference to panel relates to the wood panel of chair shell):
 A—Overall Depth is taken from front of seat panel to top of back panel.
 B—Sit Height is taken from highest point of seat cushion to the floor.
 C—Overall Width is measured from the outside edge of each arm rest.
 D—Overall Height is measured from top of back panel to the floor.
 E—Seat Depth is taken from where seat cushion meets bottom back panel cushion to front of seat panel.

Dimensions



Size	A	B	C	D	E
Classic	35"	16"	33 1/2"	31 1/2"	21 1/4"
Tall	37 3/4"	16 1/2"	33 1/2"	33 1/4"	23 1/4"

Specification Information

Step 1.

ES67071R A

Step 2. Size

E classic A

ET tall A

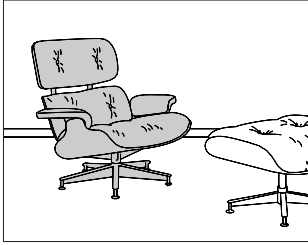
Prices for Steps 1-2.

ES67071R E	\$5885
ET	\$6094

Step 3. Material

See application chart and textiles list for fabric usage and numbers. First 2 digits of number indicate fabric line; remaining digit(s) indicate fabric color.

Price Category 7 A	+\$300
Price Category 11	+\$893
Price Category L	+\$1225



Product Information

Description

This fixed-height chair has a molded veneer seat and back shell. It has foam cushions with leather upholstery, a black enameled base with polished aluminum accents, and a swivel mechanism.

Notes

Santos palisander veneer is celebrated for its unique grain and color variations. Similar products ordered in multiples or dissimilar products ordered separately should be expected to have variation in both grain and color characteristics.

The Eames® Lounge is handcrafted and should be celebrated as such.

No two chairs are alike.

Dimensions should be noted as reference guides and can vary up to 3/4".

See illustration with dimensional chart for standard and tall versions.

Description of dimensions is below.

Given the degree of variation, below are the exact points from which dimensions are taken (reference to panel relates to the wood panel of chair shell):

A—Overall Depth is taken from front of seat panel to top of back panel.

B—Sit Height is taken from highest point of seat cushion to the floor.

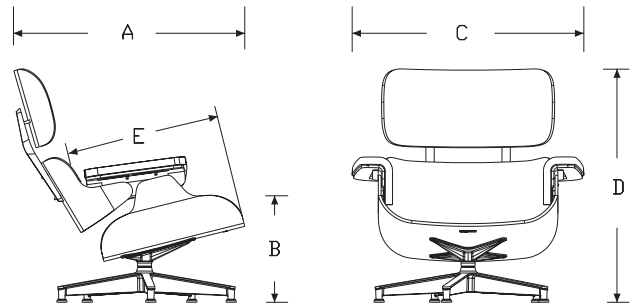
C—Overall Width is measured from the outside edge of each arm rest.

D—Overall Height is measured from top of back panel to the floor.

E—Seat Depth is taken from where seat cushion meets bottom back panel cushion to front of seat panel.

Customer's Own Leather (COL) for the classic size (ES670) requires 40 square feet, and for the tall size (ES670T) requires 55 square feet. See Order Information in appendices.

Dimensions



Size	A	B	C	D	E
Classic	35"	16"	33 1/2"	31 1/2"	21 1/4"
Tall	37 3/4"	16 1/2"	33 1/2"	33 1/4"	23 1/4"

Specification Information

Step 1.

ES67 A

Step 2. Size

0 classic A

0T tall A

Prices for Steps 1-2.

ES670 \$4321

ES670T \$4489

Step 3. Shell Finish

OU walnut A +\$0

5Q oiled walnut A +\$731

9N santos palisander A +\$812

5D oiled santos palisander A +\$1476

Step 4. Material

*See application chart and textiles list for fabric usage and numbers.
First 2 digits of number indicate fabric line; remaining digit(s) indicate fabric color.*

Price Category 7 A +\$288

Price Category 9 +\$448

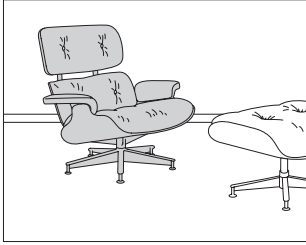
Price Category (Geiger) 10 +\$627

Price Category 10M +\$1014

Price Category 11 +\$651

Price Category (Geiger) 11 +\$672

Price Category L +\$1000



Product Information

Description

This fixed-height chair has a molded ebony ash plywood shell and foam cushions with black leather upholstery. The chair base and back supports are black enamel with aluminum accents. The chair has a swivel mechanism.

Notes

The Eames® Lounge is handcrafted and should be celebrated as such.

No two chairs are alike.

Dimensions should be noted as reference guides and can vary up to 3/4".

See illustration with dimensional chart for standard and tall versions.

Description of dimensions is below.

Given the degree of variation, below are the exact points from which dimensions are taken (reference to panel relates to the wood panel of chair shell):

A—Overall Depth is taken from front of seat panel to top of back panel.

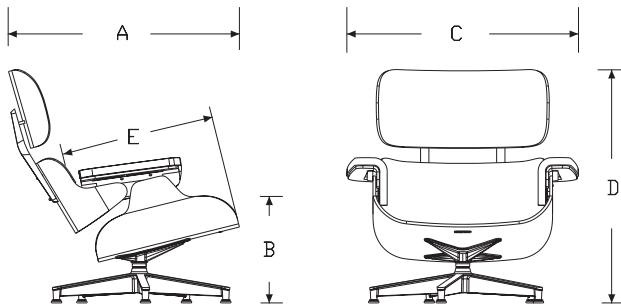
B—Sit Height is taken from highest point of seat cushion to the floor.

C—Overall Width is measured from the outside edge of each arm rest.

D—Overall Height is measured from top of back panel to the floor.

E—Seat Depth is taken from where seat cushion meets bottom back panel cushion to front of seat panel.

Dimensions



Size	A	B	C	D	E
Classic	35"	16"	33 1/2"	31 1/2"	21 1/4"
Tall	37 3/4"	16 1/2"	33 1/2"	33 1/4"	23 1/4"

Specification Information

Step 1.

ES670 A

Step 2. Size

EN classic A

ENT tall A

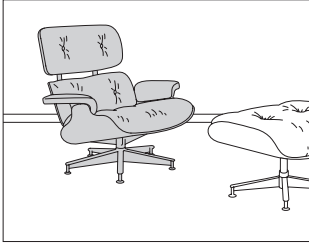
Prices for Steps 1-2.

ES670 EN	\$4630
ENT	\$4835

Step 3. Material

Price Category 7 A	+\$288
Price Category 11	+\$651
Price Category L	+\$1000

Eames® Lounge Chair White Ash ES670



HermanMiller Collection—Lounge Seating

Product Information

Description

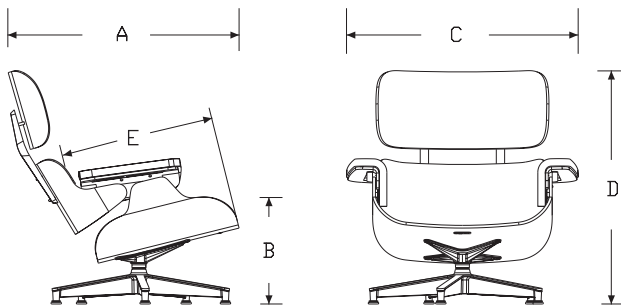
This fixed-height chair has a molded white ash plywood shell and foam cushions with white leather upholstery. The chair base and back supports are white enamel with aluminum accents. The chair has a swivel mechanism.

Notes

The Eames® Lounge is handcrafted and should be celebrated as such. No two chairs are alike. Dimensions should be noted as reference guides and can vary up to 3/4". See illustration with dimensional chart for standard and tall versions. Description of dimensions is below. Given the degree of variation, below are the exact points from which dimensions are taken (reference to panel relates to the wood panel of chair shell):

- A—Overall Depth is taken from front of seat panel to top of back panel.
- B—Sit Height is taken from highest point of seat cushion to the floor.
- C—Overall Width is measured from the outside edge of each arm rest.
- D—Overall Height is measured from top of back panel to the floor.
- E—Seat Depth is taken from where seat cushion meets bottom back panel cushion to front of seat panel.

Dimensions



Size	A	B	C	D	E
Classic	35"	16"	33 1/2"	31 1/2"	21 1/4"
Tall	37 3/4"	16 1/2"	33 1/2"	33 1/4"	23 1/4"

Specification Information

Step 1.

ES670 A

Step 2. Size

RE classic A

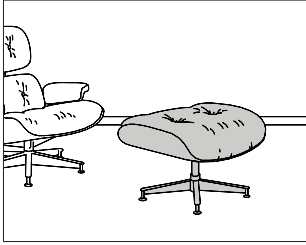
RET tall A

Prices for Steps 1-2.

ES670 RE	\$4630
RET	\$4835

Step 3. Material

Price Category 7 <input type="checkbox"/> A	+\$288
Price Category 11	+\$651
Price Category L	+\$1000



Product Information

Description

This ottoman has a molded veneer shell, foam cushion with leather upholstery, and black enameled base with polished aluminum accents.

Notes

Santos palisander veneer is celebrated for its unique grain and color variations. Similar products ordered in multiples or dissimilar products ordered separately should be expected to have variation in both grain and color characteristics.

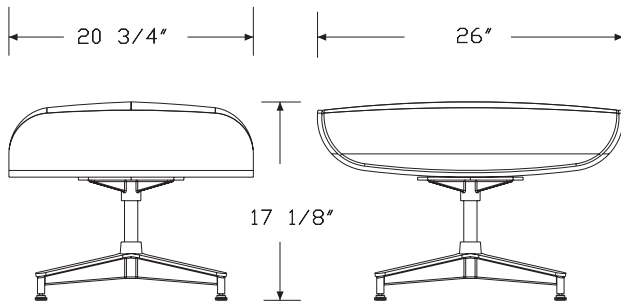
The Eames® Lounge is handcrafted and should be celebrated as such.

No two chairs are alike.

Dimensions should be noted as reference guides and can vary up to 3/4".

Customer's Own Leather (COL) requires 15 square feet. See Order Information in Appendices.

Dimensions



Specification Information

Step 1.

ES671 [A] \$1631

Step 2. Shell Finish

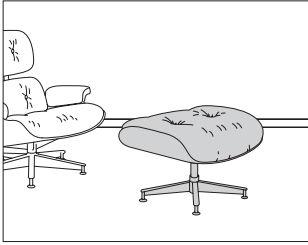
OU	walnut [A]	+\$0
9N	santos palisander [A]	+\$301
5Q	oiled walnut [A]	+\$335
5D	oiled santos palisander [A]	+\$621

Step 3. Material

See application chart and textiles list for fabric usage and numbers.

First 2 digits of number indicate fabric line; remaining digit(s) indicate fabric color.

Price Category 7 [A]	+\$107
Price Category 9	+\$164
Price Category (Geiger) 10	+\$208
Price Category 10M	+\$0
Price Category 11	+\$242
Price Category (Geiger) 11	+\$252
Price Category L	+\$400



HermanMiller Collection—Lounge Seating

Product Information

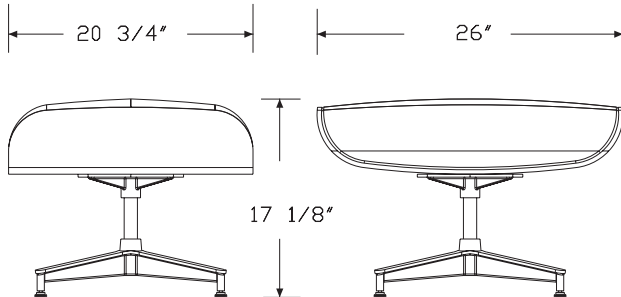
Description

This ottoman has a molded ebony ash veneer shell, foam cushion with black leather upholstery, and a black enamel base with aluminum accents.

Notes

The Eames® Lounge is handcrafted and should be celebrated as such.
 No two chairs are alike.
 Dimensions should be noted as reference guides and can vary up to 3/4".

Dimensions



Specification Information

Step 1.

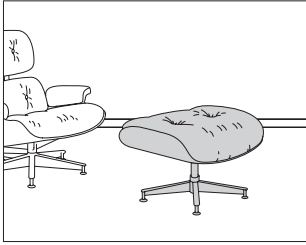
ES671EN [A] \$1787

Step 2. Material

Price Category 7 [A] +\$107

Price Category 11 +\$242

Price Category L +\$400



Product Information

Description

This ottoman has a molded plywood shell, foam cushion with white leather upholstery, and a white enamel base with aluminum accents.

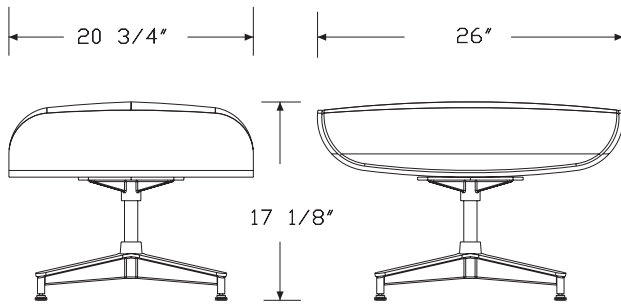
Notes

The Eames® Lounge is handcrafted and should be celebrated as such.

No two chairs are alike.

Dimensions should be noted as reference guides and can vary up to 3/4".

Dimensions



Specification Information

Step 1.

ES671RE [A] \$1787

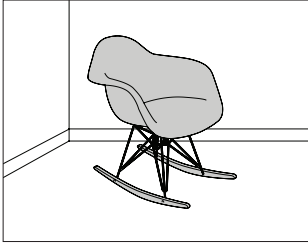
Step 2. Material

Price Category 7 [A] +\$107

Price Category 11 +\$242

Price Category L +\$400

Eames® Molded Plastic Armchair RAR.
Rocker Base

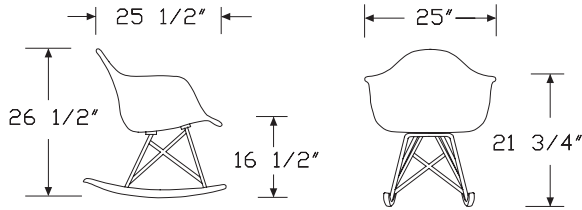


HermanMiller Collection—Lounge Seating

Product Information

Description
This chair has a single-piece molded seat and back with arms, waterfall edges, and chrome or black legs with solid-maple or walnut rockers.

Dimensions

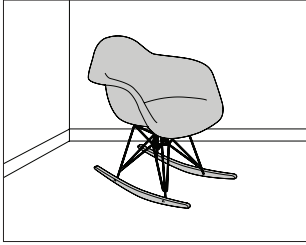


Specification Information

Step 1.		
RA		
Step 2. Base Option		
R.	rocker base with nonupholstered shell	
Prices for Steps 1-2.		
RAR.		\$704
Step 3. Base Finish		
91	white <input type="checkbox"/> A	+\$0
BK	black	+\$0
47	trivalent chrome	+\$20
Step 4. Rocker Finish		
UL	natural maple	+\$0
A2	white ash <input type="checkbox"/> A	+\$30
OU	walnut	+\$30
Step 5. Seat/Back Finish		
4T	aqua sky	+\$0
5B	java	+\$0
9J	sparrow	+\$0
CHL	charcoal <input type="checkbox"/> A	+\$0
PBL	peacock blue <input type="checkbox"/> A	+\$0
STN	stone <input type="checkbox"/> A	+\$0
ZA	black	+\$0
ZE	red orange	+\$0
ZF	white	+\$0
ZM	alpine <input type="checkbox"/> A	+\$0

Eames® Upholstered Molded Plastic Armchair Rocker Base

RAR.

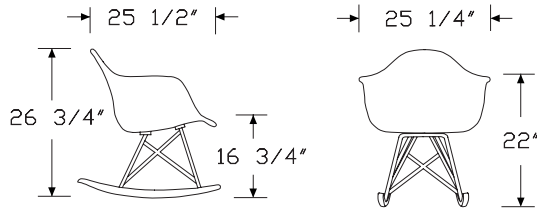


Product Information

Description

This chair has a single-piece molded plastic shell with waterfall edges and upholstered seat, back, and arms or an upholstered seat pad. Legs are chrome, black or white with solid maple, ash or walnut rockers.

Dimensions



Specification Information

Step 1.

RA

Step 2. Base and Upholstery Option

R. rocker base

Step 3. Upholstery

U fully upholstered shell

P upholstered seat pad

Prices for Steps 1-3.

RAR. U	\$958
P	\$826

Step 4. Base Finish

91 white	+\$0
BK black	+\$0
47 trivalent chrome	+\$20

Step 5. Rocker Finish

UL natural maple <input type="checkbox"/>	+\$0
A2 white ash <input type="checkbox"/>	+\$30
OU walnut <input type="checkbox"/>	+\$30

Step 6. Back Finish

4T aqua sky <input type="checkbox"/>	+\$0
5B java <input type="checkbox"/>	+\$0
9J sparrow <input type="checkbox"/>	+\$0
ZA black <input type="checkbox"/>	+\$0
ZE red orange <input type="checkbox"/>	+\$0
ZF white <input type="checkbox"/>	+\$0
ZM alpine <input type="checkbox"/>	+\$0
PYW pale yellow <input type="checkbox"/>	+\$0
BLH blush <input type="checkbox"/>	+\$0
PBL peacock blue <input type="checkbox"/>	+\$0
STN stone <input type="checkbox"/>	+\$0
KGR kelly green <input type="checkbox"/>	+\$0
CHL charcoal <input type="checkbox"/>	+\$0

Step 7. Edge Finish

For fully upholstered shell (U)

111 parchment <input type="checkbox"/>	+\$0
BK black <input type="checkbox"/>	+\$0
ZF white <input type="checkbox"/>	+\$0

Eames® Upholstered Molded Plastic Armchair Rocker Base

continued

HermanMiller Collection—Lounge Seating

Step 8. Fabric

For fully upholstered shell (U)

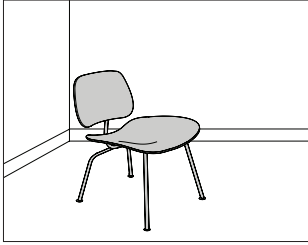
Price Category 2	+\$37
Price Category 5	+\$61
Price Category B	+\$0
Price Category H	+\$212
Price Category K	+\$380

For upholstered seat pad (P)

Price Category (Geiger) 4	+\$34
Price Category 1	+\$0
Price Category 2	+\$26
Price Category 3	+\$30
Price Category 4	+\$34
Price Category 5	+\$61
Price Category (Geiger) 5	+\$61
Price Category (Geiger) 6	+\$81
Price Category 7	+\$111
Price Category (Geiger) 7	+\$111
Price Category 8	+\$146
Price Category (Geiger) 8	+\$146
Price Category 9	+\$216
Price Category 11	+\$262
Price Category B	+\$30
Price Category C	+\$50
Price Category G	+\$170
Price Category H	+\$210
Price Category K	+\$380

Eames® Molded Plywood Lounge
Chair Metal Base

LCM.



Product Information

Description

This 26½"-high molded plywood chair has natural face veneers, hardwood inner plies, and a 5-ply seat and back. It has a polished chrome-plated 4-leg base and self-leveling nylon glides. When upholstered, the back and seat shells have exposed veneer on their backside.

Notes

Red stain (11) shell finish is on birch veneer. This stain allows the wood grain to show through; inner plies are visible. Natural variations in wood grain may affect the appearance of this stain color.

Ebony (EN) shell finish is stain on ash veneer; inner plies are not as visible.

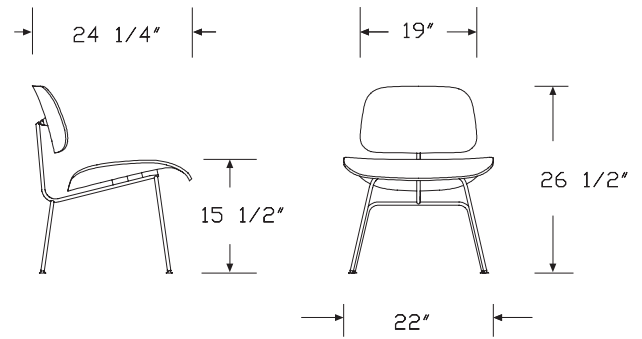
Santos palisander veneer is celebrated for its unique grain and color variations. Similar products ordered in multiples or dissimilar products ordered separately should be expected to have variation in both grain and color characteristics; no two products will look exactly alike.

Black (BK) base finish has black glides. Trivalent chrome (47) base finish has white glides.

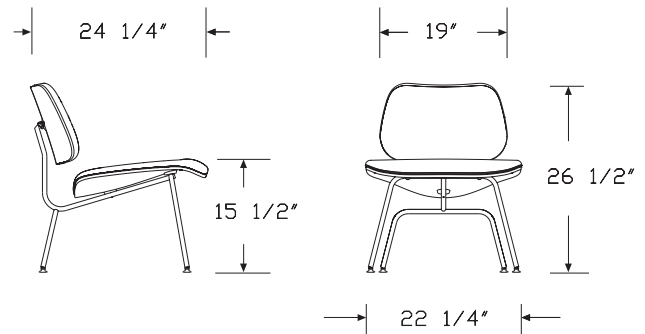
Avoid placement in direct sunlight.

Customer's Own Material (COM) requires 1 yard. Customer's Own Leather (COL), requires 24 square feet. See COM Information in Appendices for additional information.

Dimensions



nonupholstered



upholstered

Herman Miller Collection—Lounge Seating

Eames® Molded Plywood Lounge Chair Metal Base *continued*

HermanMiller Collection—Lounge Seating

Specification Information

Step 1.

LC A

Step 2. Upholstery

M. nonupholstered shell A

M.U upholstered shell A

Prices for Steps 1-2.

LCM. \$855

LCM.U \$1354

Step 3. Base Finish

BK black A +\$0

47 trivalent chrome A +\$20

Step 4. Shell Finish

Wood Veneer

OU walnut A +\$0

11 red stain A +\$115

A2 white ash A +\$115

EN ebony A +\$115

9N santos palisander A +\$285

Step 5. Fabric

For upholstered shell (M.U)

Price Category 1 +\$0

Price Category 2 +\$30

Price Category 3 +\$57

Price Category (Geiger) 3 +\$57

Price Category 4 +\$86

Price Category (Geiger) 4 +\$86

Price Category 5 +\$101

Price Category (Geiger) 5 +\$90

Price Category 6 +\$114

Price Category (Geiger) 6 +\$114

Price Category 7 +\$181

Price Category (Geiger) 7 +\$181

Price Category 8 +\$236

Price Category (Geiger) 8 +\$236

Price Category 9 +\$402

Price Category 10 +\$479

Price Category (Geiger) 10 +\$479

Price Category 11 +\$577

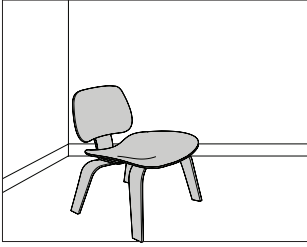
Price Category 14 +\$624

Price Category 10M +\$492

Price Category C	+\$0
Price Category D	+\$59
Price Category E	+\$71
Price Category F	+\$92
Price Category G	+\$119
Price Category H	+\$145
Price Category I	+\$170
Price Category J	+\$196
Price Category K	+\$221
Price Category L	+\$247
Price Category M	+\$272
Price Category N	+\$298
Price Category O	+\$323
Price Category P	+\$349
Price Category Q	+\$375
Price Category R	+\$711

Eames® Molded Plywood Lounge
Chair Wood Base

LCW.



Product Information

Description

This 26½"-high molded plywood chair has natural face veneers, hardwood inner plies, a 5-ply seat and back, and 8-ply legs. When upholstered, the back and seat shells have exposed veneer on their backside.

Notes

Red stain (11) shell finish is on birch veneer. This stain allows the wood grain to show through; inner plies are visible. Natural variations in wood grain may affect the appearance of this stain color.

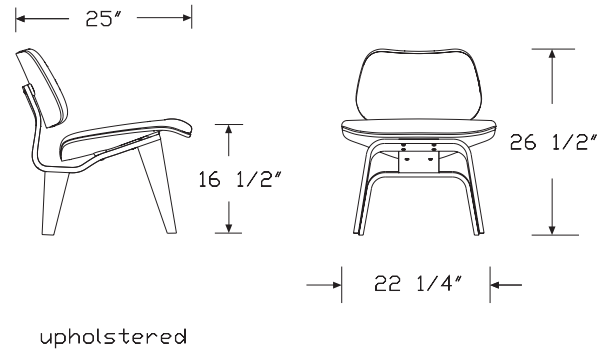
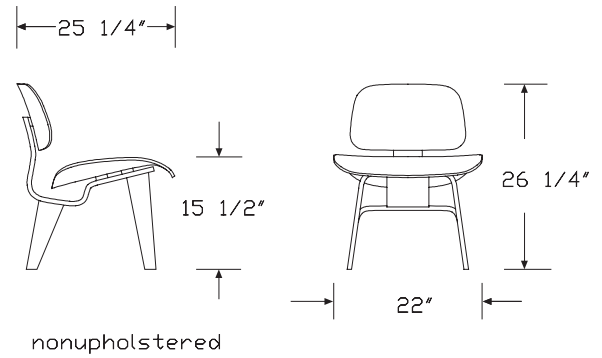
Ebony (EN) shell finish is stain on ash veneer; inner plies are not as visible.

Santos palisander veneer is celebrated for its unique grain and color variations. Similar products ordered in multiples or dissimilar products ordered separately should be expected to have variation in both grain and color characteristics; no two products will look exactly alike.

Avoid placement in direct sunlight.

Customer's Own Material (COM) requires 1 yard. Customer's Own Leather (COL), requires 24 square feet. See COM Information in Appendices for additional information.

Dimensions



Herman Miller Collection—Lounge Seating

Eames® Molded Plywood Lounge Chair Wood Base *continued*

HermanMiller Collection—Lounge Seating

Specification Information

Step 1.

LC A

Step 2. Upholstery

W. nonupholstered shell A

W.U upholstered shell A

Prices for Steps 1-2.

LCW. \$1129

LCW.U \$1595

Step 3. Finish

OU walnut A +\$0

11 red stain A +\$154

A2 white ash A +\$154

EN ebony A +\$154

9N santos palisander A +\$575

Step 4. Fabric

For upholstered shell (W.U)

Price Category 1 +\$0

Price Category 2 +\$30

Price Category 3 +\$57

Price Category 4 +\$86

Price Category (Geiger) 4 +\$86

Price Category 5 +\$101

Price Category (Geiger) 5 +\$90

Price Category 6 +\$114

Price Category (Geiger) 6 +\$114

Price Category 7 +\$181

Price Category (Geiger) 7 +\$181

Price Category 8 +\$236

Price Category (Geiger) 8 +\$236

Price Category 9 +\$402

Price Category 10 +\$479

Price Category (Geiger) 10 +\$479

Price Category 11 +\$577

Price Category 14 +\$624

Price Category 10M +\$0

Price Category C +\$46

Price Category D +\$59

Price Category E +\$71

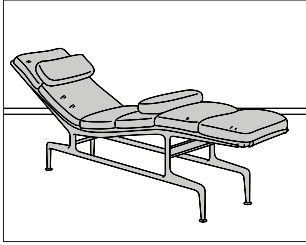
Price Category F +\$92

Price Category G +\$119

Price Category H +\$145

Price Category I +\$170

Price Category J	+\$196
Price Category K	+\$221
Price Category L	+\$247
Price Category M	+\$272
Price Category N	+\$298
Price Category O	+\$323
Price Category P	+\$349
Price Category Q	+\$375
Price Category R	+\$711



Product Information

Description

This chaise has 6 2"-thick foam cushions with leather upholstery supported by a fabric sling. It has nylon glides and includes 2 loose cushions.

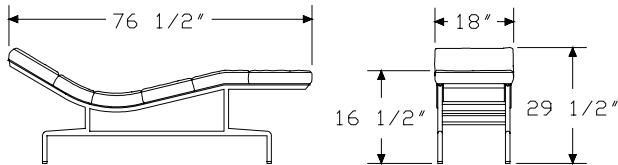
Notes

COL requires 65 square feet.

When pearl MCL leather (1R01) is specified, the fabric sling will be white.

When black MCL leather (1R10) is specified, the fabric sling will be black.

Dimensions



Specification Information

Step 1.

ES106 A \$6373

Step 2. Frame Finish

91 white A +\$450

EP eggplant A +\$450

G2 graphite satin A +\$450

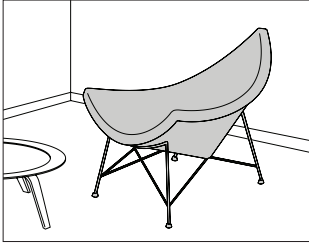
Step 3. Leather

See application chart and textiles list for fabric usage and numbers.

First 2 digits of number indicate fabric line; remaining digit(s) indicate fabric color.

Price Category 11 +\$1186

Nelson™ Coconut Lounge Chair 5569.

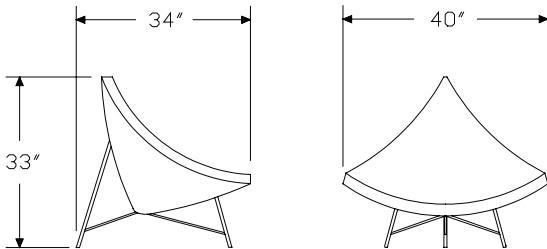


Product Information

Description

This chair has a 1-piece foam cushion upholstered in black leather, a white molded plastic shell, and a polished chrome base.

Dimensions

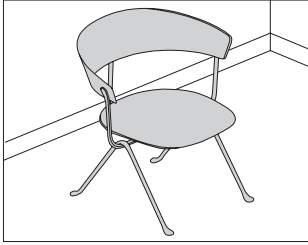


Specification Information

Step 1.

5569. A

\$8823

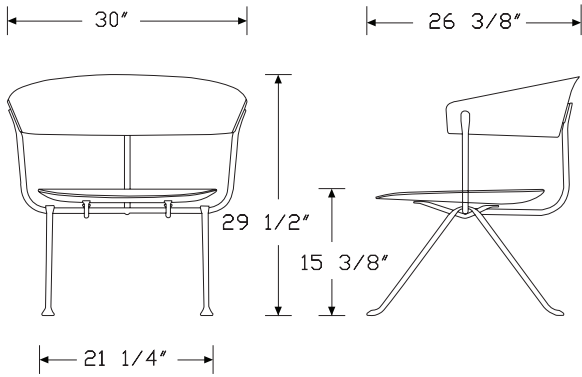
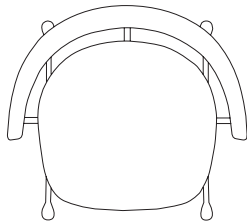


Product Information

Description

This chair has a wrought iron frame available in galvanized or painted grey anthracite finish. Seat and back are available in plywood, fabric upholstery or leather. Chairs sold individually. Ships assembled.

Dimensions



Specification Information

Step 1.

SD220X

Step 2. Seat & Back

W plywood

F fabric upholstery

L leather upholstery

Prices for Steps 1-2.

SD220X W	\$1495
F	\$1995
L	\$2595

Step 3. Frame Finish

GLV galvanized +\$0

YCB grey anthracite +\$0

Step 4. Seat & Back Finish

For plywood (W)

YNC natural beech +\$0

YNM black beech +\$0

For fabric upholstery (F)

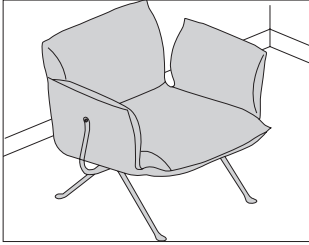
Price Category H +\$0

Price Category G +\$0

For leather upholstery (L)

YNL natural +\$0

BLK black +\$0

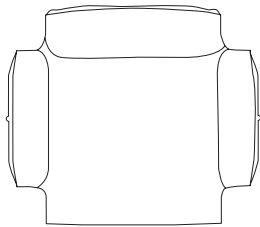


HermanMiller Collection—Lounge Seating

Product Information

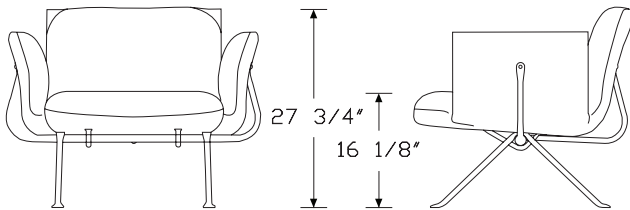
Description
 This armchair has a wrought iron frame available in galvanized or painted grey anthracite finish. Seat and back are upholstered. Ships assembled.

Dimensions



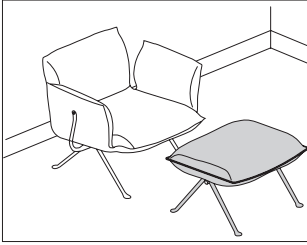
← 35 1/4" →

← 30 3/8" →



Specification Information

Step 1.		
SD223X	A	\$2695
Step 2. Frame Finish		
GLV	galvanized A	+\$0
YCB	grey anthracite A	+\$0
Step 3. Upholstery		
	Price Category (Magis) 1	+\$0
	Price Category (Magis) 2	+\$300
	Price Category G	+\$300
	Price Category H	+\$300

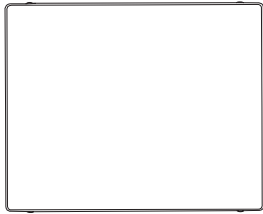


Product Information

Description

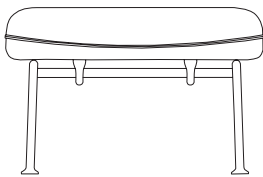
This ottoman has a wrought iron frame available in galvanized or painted grey anthracite finish. Ships assembled.

Dimensions

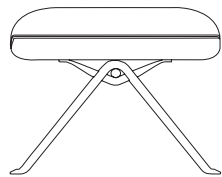


24 1/4"

19 7/8"



15 3/4"



Specification Information

Step 1.

SD226X A \$1275

Step 2. Frame Finish

GLV galvanized A +\$0

YCB grey anthracite A +\$0

Step 3. Upholstery

Price Category (Magis) 1 +\$0

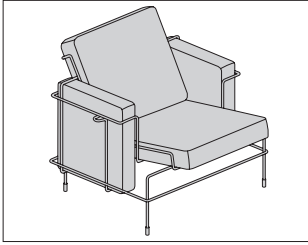
Price Category (Magis) 2 +\$120

Price Category G +\$120

Price Category H +\$120

Traffic Armchair Upholstered

XXSD2



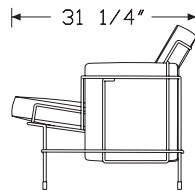
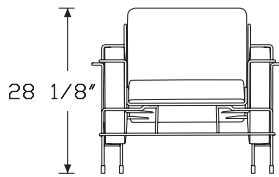
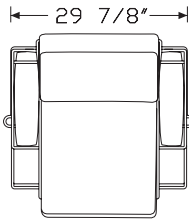
HermanMiller Collection—Lounge Seating

Product Information

Description

This armchair has a painted steel rod frame and upholstered cushions with removable covers.

Dimensions



Specification Information

Step 1.

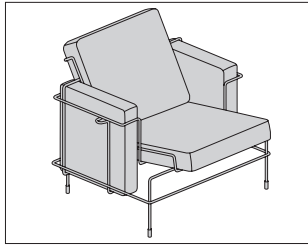
XXSD2700 A \$3070

Step 2. Frame Finish

5011 white A +\$0
5013 black A +\$0

Step 3. Seat Fabric

YLR torri lana, AT1 Rico dark blue A +\$0
YL1 fidivi style (6009) Bl1 A +\$0
YL2 kvadrat remix (982) Q1 A +\$310
YL3 kvadrat skye (831) BH1 A +\$310
YL4 kvadrat tonica (111) N1 A +\$470
7L5 kvadrat canvas (174) AU1 A +\$470

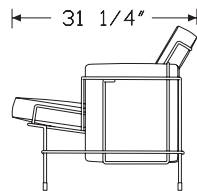
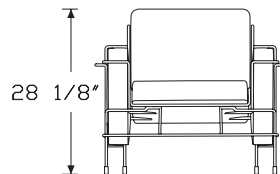
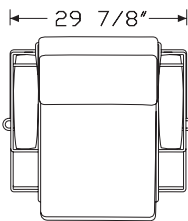


Product Information

Description

This armchair has a painted steel rod frame and upholstered cushions with removable covers.

Dimensions



Specification Information

Step 1.

XXSD2704 A \$5060

Step 2. Frame Finish

5011 white A +\$0

5013 black A +\$0

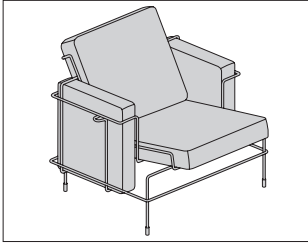
Step 3. Seat Fabric

L-0112 brown A +\$0

L-0065 anthracite grey A +\$0

Traffic Armchair Upholstered
(Suitable for Outdoor Use)

XXSD2

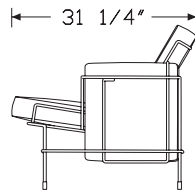
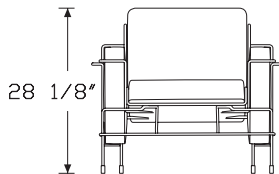
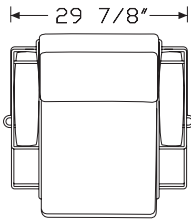


HermanMiller Collection—Lounge Seating

Product Information

Description
This armchair has a painted steel rod frame and upholstered cushions with removable covers. Suitable for outdoor use.

Dimensions



Specification Information

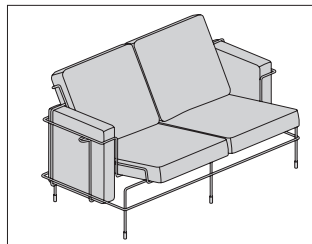
Step 1.
XXSD2701 A \$3773

Step 2. Frame Finish
5011 white A +\$0

Step 3. Seat Fabric
F-227 turquoise A +\$0
F-257 blue A +\$0
F-737 white A +\$0
F-769 black A +\$0

Traffic Two-Seater Sofa Upholstered

XXSD2

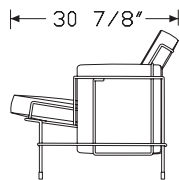
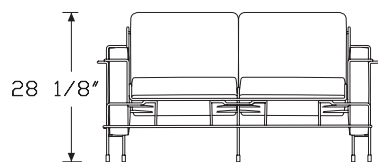
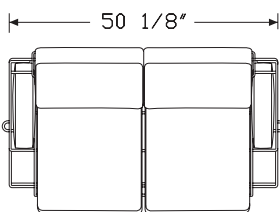


Product Information

Description

This sofa has a painted steel rod frame and upholstered cushions with removable covers.

Dimensions



Specification Information

Step 1.

XXSD2710 A \$4700

Step 2. Frame Finish

5011 white A +\$0

5013 black A +\$0

Step 3. Seat Fabric

YLR torri lana, AT1 Rico dark blue A +\$0

YL1 fidivi style (6009) Bl1 A +\$0

YL2 kvadrat remix (982) Q1 A +\$480

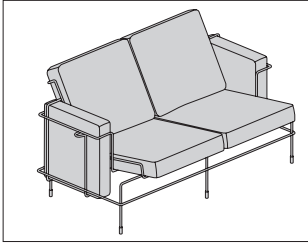
YL3 kvadrat skye (831) BH1 A +\$480

YL4 kvadrat tonica (111) N1 A +\$730

7L5 kvadrat canvas (174) AU1 A +\$730

Traffic Two-Seater Sofa
Upholstered (Suitable for Outdoor
Use)

XXSD2

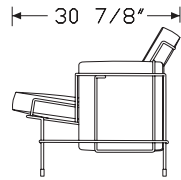
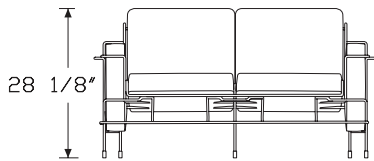
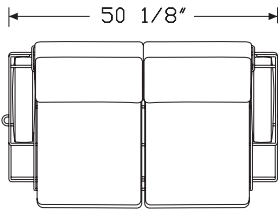


Product Information

Description

This sofa has a painted steel rod frame and upholstered cushions with removable covers. Suitable for outdoor use.

Dimensions



Specification Information

Step 1.

XXSD2711 A \$5785

Step 2. Frame Finish

5011 white A +\$0

Step 3. Seat Fabric

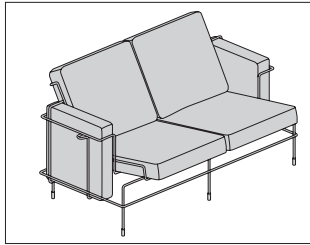
F-227 turquoise A +\$0

F-257 blue A +\$0

F-737 white A +\$0

F-769 black A +\$0

Traffic Two-Seater Sofa Leather XXSD2

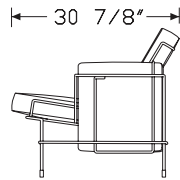
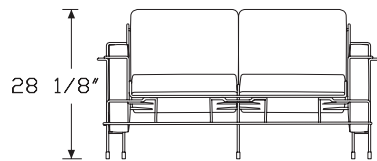
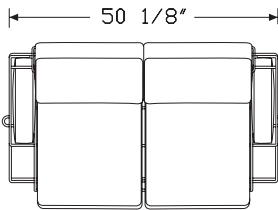


Product Information

Description

This sofa has a painted steel rod frame and upholstered cushions with removable covers.

Dimensions



Specification Information

Step 1.

XXSD2714 A \$7837

Step 2. Frame Finish

5011 white A +\$0

5013 black A +\$0

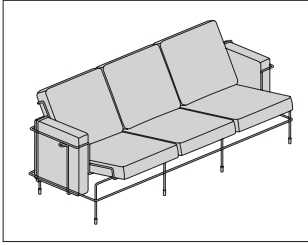
Step 3. Seat Fabric

L-0112 brown A +\$0

L-0065 anthracite grey A +\$0

Traffic Three-Seater Sofa
Upholstered

XXSD2

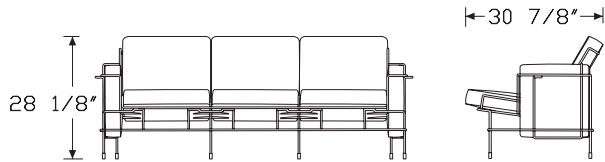
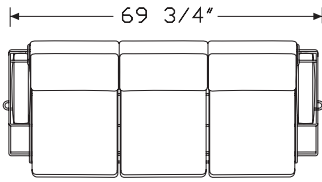


HermanMiller Collection—Lounge Seating

Product Information

Description
This sofa has a painted steel rod frame and upholstered cushions with removable covers.

Dimensions



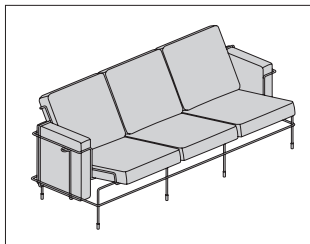
Specification Information

Step 1.
XXSD2715 A \$5760

Step 2. Frame Finish
5011 white A +\$0
5013 black A +\$0

Step 3. Seat Fabric
7L5 kvadrat canvas (174) AU1 A +\$880
YL1 fidivi style (6009) Bl1 A +\$0
YL2 kvadrat remix (982) Q1 A +\$580
YL3 kvadrat skye (831) BH1 A +\$580
YL4 kvadrat tonica (111) N1 A +\$880
YLR torri lana, AT1 Rico dark blue A +\$0

Traffic Three-Seater Sofa XXSD2
 Upholstered (Suitable for Outdoor Use)

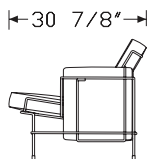
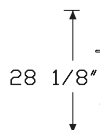
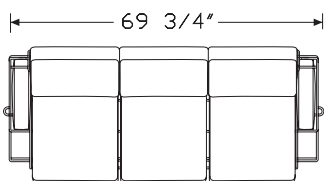


Product Information

Description

This sofa has a painted steel rod frame and upholstered cushions with removable covers. Suitable for outdoor use.

Dimensions



Specification Information

Step 1.

XXSD2716 A \$6939

Step 2. Frame Finish

5011 white A +\$0

Step 3. Seat Fabric

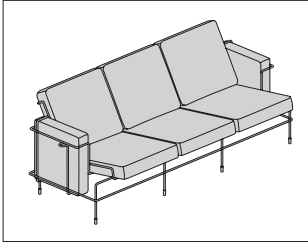
F-227 turquoise A +\$0

F-257 blue A +\$0

F-737 white A +\$0

F-769 black A +\$0

Traffic Three-Seater Sofa Leather XXSD2



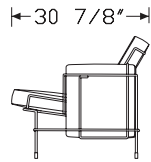
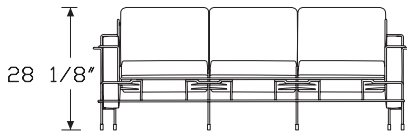
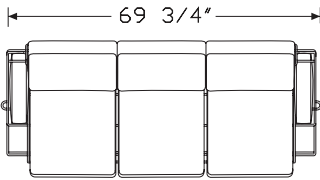
HermanMiller Collection—Lounge Seating

Product Information

Description

This sofa has a painted steel rod frame and upholstered cushions with removable covers.

Dimensions



Specification Information

Step 1.

XXSD2718 A \$9327

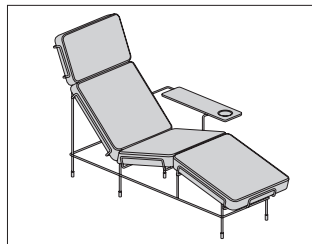
Step 2. Frame Finish

5011 white A +\$0
5013 black A +\$0

Step 3. Seat Fabric

L-0112 brown A +\$0
L-0065 anthracite grey A +\$0

Traffic Chaise Lounge Upholstered XXSD2

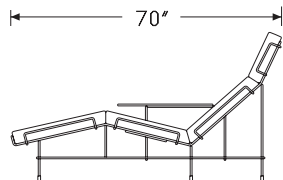
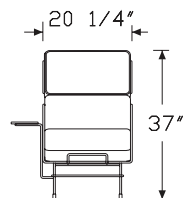
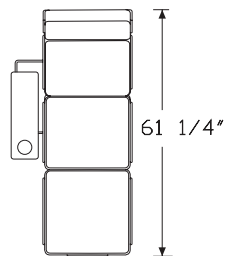


Product Information

Description

This chaise lounge has a painted steel rod frame and upholstered cushions with removable covers.

Dimensions



Specification Information

Step 1.

XXSD2720 A \$3840

Step 2. Frame Finish

5011 white A +\$0

5013 black A +\$0

Step 3. Seat Fabric

YLR torri lana, AT1 Rico dark blue A +\$0

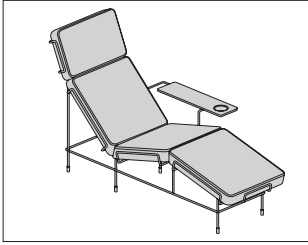
YL1 fidivi style (6009) Bl1 A +\$0

YL2 kvadrat remix (982) Q1 A +\$370

YL3 kvadrat skye (831) BH1 A +\$370

YL4 kvadrat tonica (111) N1 A +\$560

7L5 kvadrat canvas (174) AU1 A +\$560



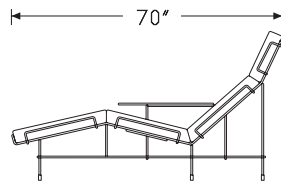
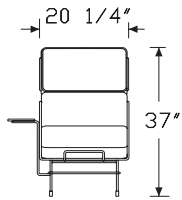
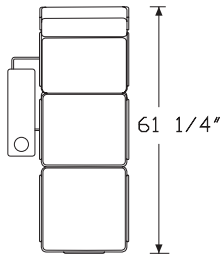
HermanMiller Collection—Lounge Seating

Product Information

Description

This chaise lounge has a painted steel rod frame and upholstered cushions with removable covers.

Dimensions



Specification Information

Step 1.

XXSD2724 A \$6106

Step 2. Frame Finish

5011 white A +\$0

5013 black A +\$0

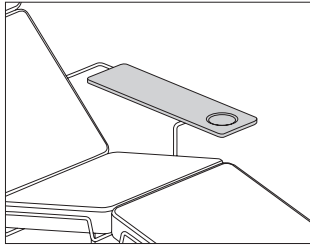
Step 3. Seat Fabric

L-0112 brown A +\$0

L-0065 anthracite grey A +\$0

Traffic Tablet in Acrylic Stone

XXSD2

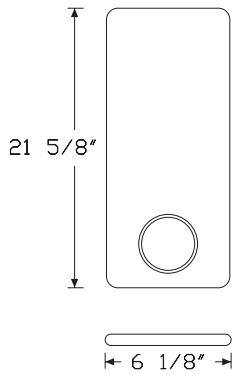


Product Information

Description

This tablet is constructed of acrylic stone and may be used with a Traffic armchair, sofa or platform bench. Top is 12mm thick. Frame purchased separately.

Dimensions



Specification Information

Step 1.

XXSD2760 [A] \$209

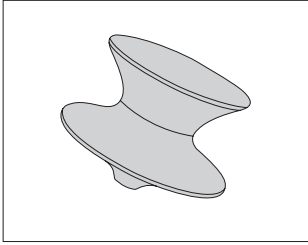
Step 2. Stone Top

WH white [A] +\$0

AG anthracite grey [A] +\$0

Spun Rotating Chair

MGN00.

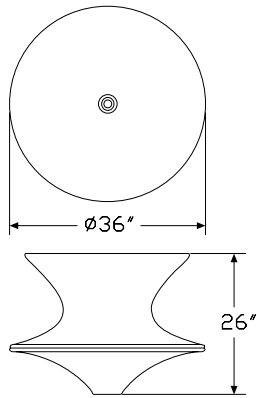


Product Information

Description

This rotating low chair is made from polyethylene and is suitable for outdoor use.

Dimensions



Specification Information

Step 1.

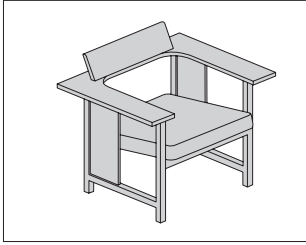
MGN00. \$825

Step 2. Finish

YLB	dark purple <input type="checkbox"/>	+\$0
YLD	red <input type="checkbox"/>	+\$0
YLG	white <input type="checkbox"/>	+\$0
YLH	grey anthracite <input type="checkbox"/>	+\$0

Clerici Armchair

MGCL00

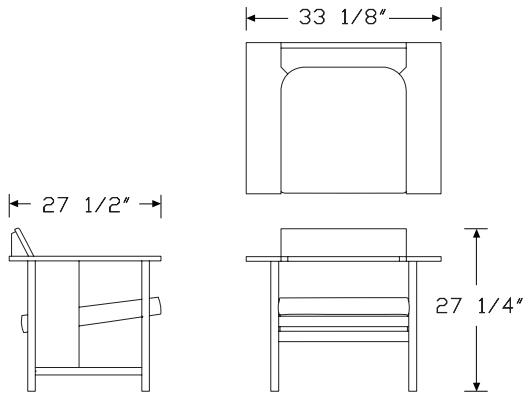


Product Information

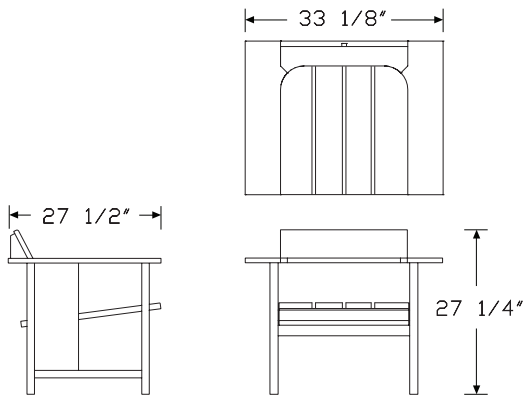
Description

This solid wood armchair has an ash, iroko, or oak frame with the option of an upholstered seat. The seat on the iroko option has slats instead of a solid seat surface.

Dimensions



with cushion



Iroko option without cushion

Specification Information

Step 1.

MGCL0 A

Step 2. Upholstery

0. nonupholstered A

0.U upholstered A

Prices for Steps 1-2.

MGCL00.	\$1400
MGCL00.U	\$2330

Step 3. Frame

For nonupholstered (o.)

YSA ash <input type="checkbox"/> A	+\$0
RKW iroko <input type="checkbox"/> A	+\$125
YFC oak <input type="checkbox"/> A	+\$400

For upholstered (o,U)

YFC oak <input type="checkbox"/> A	+\$400
---	--------

Step 4. Finish

For ash (YSA)

YMP grey <input type="checkbox"/> A	+\$0
YRL red <input type="checkbox"/> A	+\$0
YNL natural <input type="checkbox"/> A	+\$0

For oak (YFC) or iroko (RKW)

YNL natural <input type="checkbox"/> A	+\$0
---	------

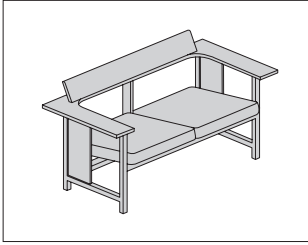
Step 5. Leather

For oak (YFC)

YLJ cuoio leather <input type="checkbox"/> A	+\$0
YLK marrone leather <input type="checkbox"/> A	+\$0

Clerici Two Seat Bench

MGCL02



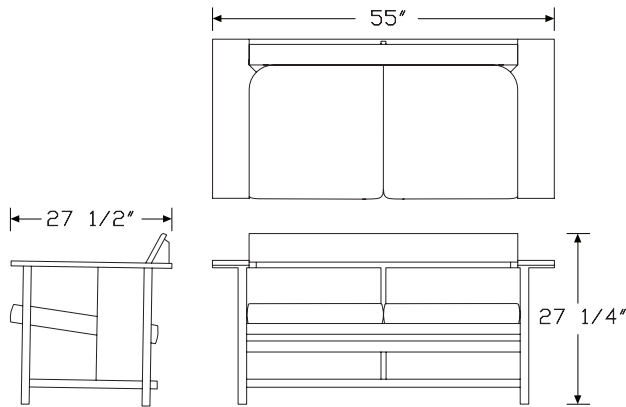
HermanMiller Collection—Lounge Seating

Product Information

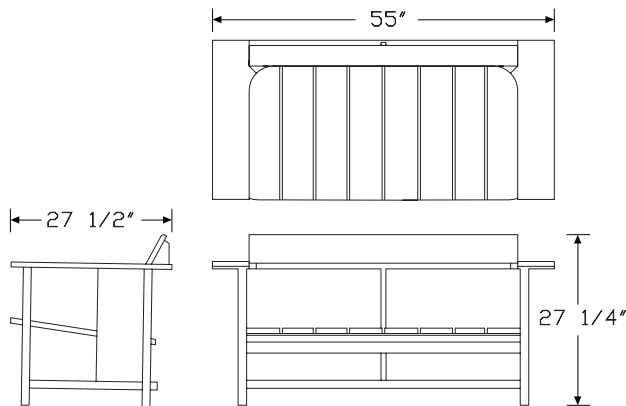
Description

This solid wood 2-seat bench has an ash, iroko, or oak frame with the option of an upholstered seat. The seat on the iroko option has slats instead of a solid seat surface.

Dimensions



with cushion



Iroko option without cushion

Specification Information

Step 1.

MGCL0 A

Step 2. Upholstery

2. two seat bench, nonupholstered A

2.U two seat bench, upholstered A

Prices for Steps 1-2.

MGCL02.	\$2466
MGCL02.U	\$4430

Step 3. Frame

For two seat bench, nonupholstered (2.)

YSA ash <input type="checkbox"/> A	+\$0
YFC oak <input type="checkbox"/> A	+\$500
RKW iroko <input type="checkbox"/> A	+\$0

For two seat bench, upholstered (2.U)

YFC oak <input type="checkbox"/> A	+\$500
---	--------

Step 4. Finish

For ash (YSA)

YMP grey <input type="checkbox"/> A	+\$0
YRL red <input type="checkbox"/> A	+\$0
YNL natural <input type="checkbox"/> A	+\$0

For oak (YFC) or iroko (RKW)

YNL natural <input type="checkbox"/> A	+\$0
---	------

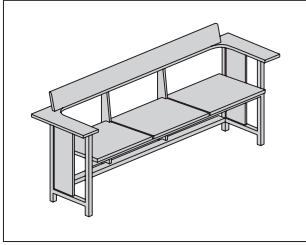
Step 5. Leather

For two seat bench, upholstered (2.U)

YLJ cuoio leather <input type="checkbox"/> A	+\$750
YLK marrone leather <input type="checkbox"/> A	+\$750

Clerici Three Seat Bench

MGCL03

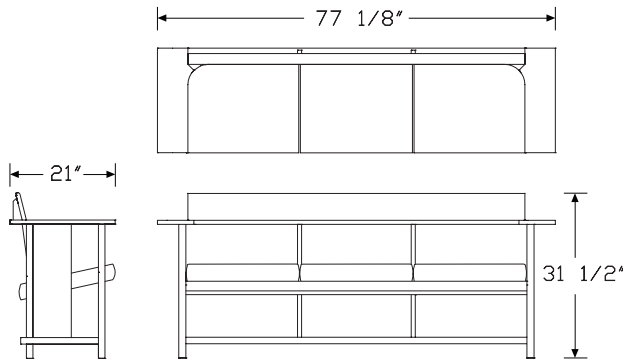


Product Information

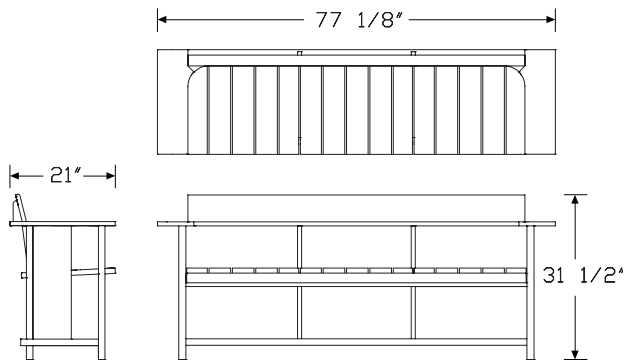
Description

This solid wood 3-seat bench has an ash, iroko, or oak frame. The seat on the iroko option has slats instead of a solid seat surface.

Dimensions



with cushion



Iroko option without cushion

Specification Information

Step 1.

MGCL03. A \$2525

Step 2. Frame

YSA ash A +\$0
YFC oak A +\$575
RKW iroko A +\$1600

Step 3. Finish

For ash (YSA)

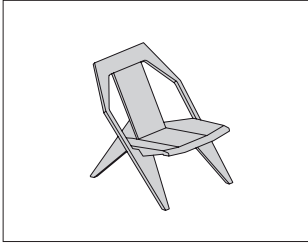
YMP grey A +\$0
YRL red A +\$0
YNL natural A +\$0

For oak (YFC) or iroko (RKW)

YNL natural A +\$0

Medici Chair

MGM00.



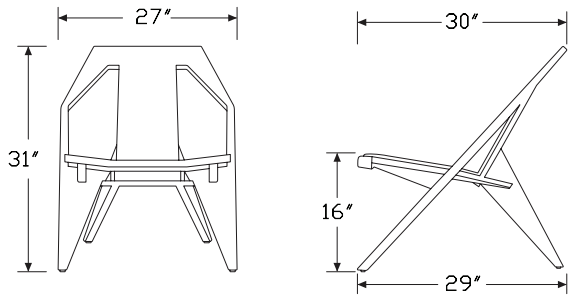
HermanMiller Collection—Lounge Seating

Product Information

Description

This solid wood chair with armrests is available in ash, walnut and Douglas fir.

Dimensions



Specification Information

Step 1.

MGM00. A

Step 3. Frame Finish

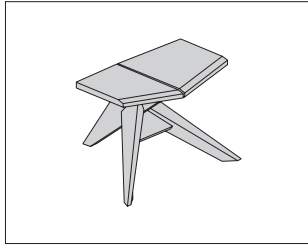
- ZQF** yellow anilin ash A
- ZQJ** grey anilin ash A
- ZPA** red anilin ash A
- ZPB** black anilin ash A
- ZQG** natural walnut waxed A

Prices for Steps 1-3.

MGM00.ZQF	\$1895
ZQJ	\$1895
ZPA	\$1895
ZPB	\$1895
ZQG	\$2500

Medici Ottoman

MGV20.

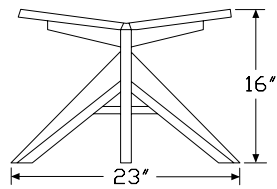
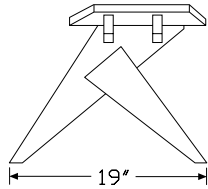


Product Information

Description

This solid wood stool is available in ash, walnut and Douglas fir.

Dimensions



Specification Information

Step 1.

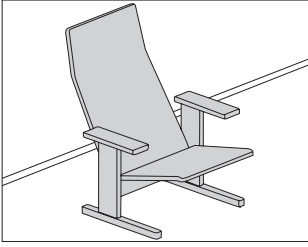
MGV20. A \$974

Step 2. Frame Finish

- ZQF** yellow anilin ash A +\$0
- ZQJ** grey anilin ash A +\$0
- ZPA** red anilin ash A +\$0
- ZPB** black anilin ash A +\$0
- ZQG** natural walnut waxed A +\$225

Quindici Lounge Chair

MC15L.

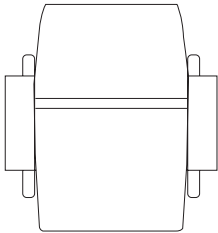


HermanMiller Collection—Lounge Seating

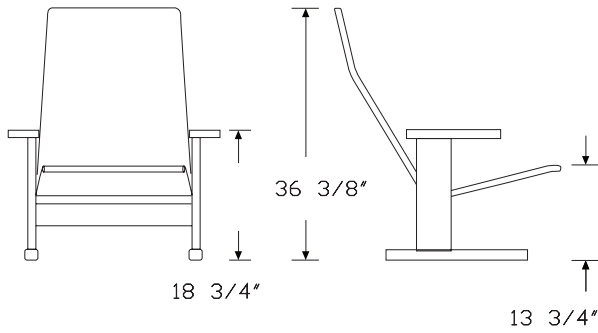
Product Information

Description
 This lounge chair is constructed of ash and comes in a choice of finishes and with or without upholstery. Ships assembled.

Dimensions



← 30 1/2" → ← 32" →



Specification Information

Step 1.

MC15L. A

Step 2. Upholstery

N no upholstery A

Prices for Steps 1-2.

MC15L. N \$2470

Step 3. Finish

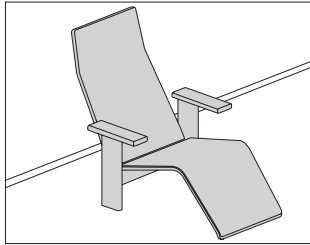
YQC natural ash A +\$0

YQB black anilin ash A +\$0

ZQJ grey anilin ash A +\$0

Quindici Chaise Longue

MC15CL

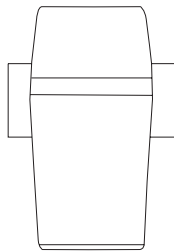


Product Information

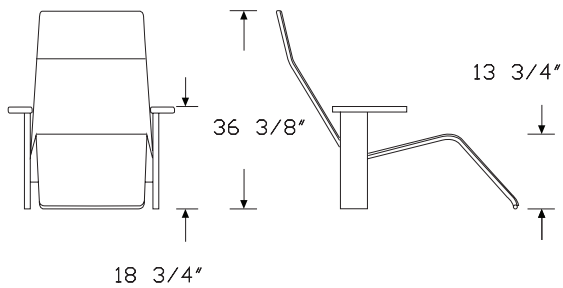
Description

This chaise longue is constructed of ash and comes in a choice of finishes and with or without upholstery. Ships assembled.

Dimensions



→ 30 1/2" ← ← 43 1/4" →



Specification Information

Step 1.

MC15CL. A

Step 2. Upholstery

N no upholstery A

Prices for Steps 1-2.

MC15CL. N \$2790

Step 3. Finish

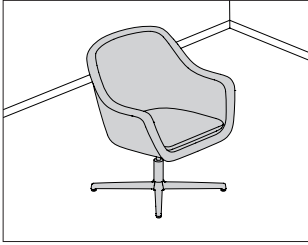
YQC natural ash A +\$0

YQB black anilin ash A +\$0

ZQJ grey anilin ash A +\$0

Bumper Lounge Chair

SBR4N



HermanMiller Collection—Lounge Seating

Product Information

Description

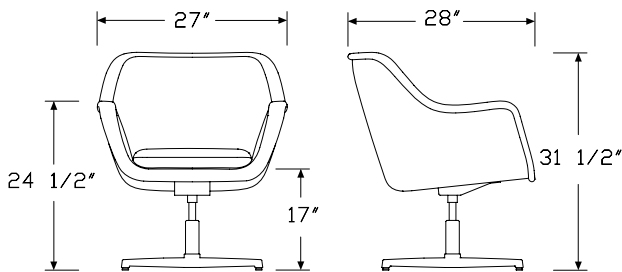
This lounge chair has upholstered inner and outer shells and arm cap, each made from one continuous piece of fabric or leather, and an upholstered seat cushion. The frame is rigid molded urethane with foam inserts. The 4-star, swivel-return base is polished cast aluminum with black glides.

Notes

Customers Own Material (COM) requires 2½ yards for the shell inside and outside, an additional 1¾ yards for the arm cap and cushion, or 4¼ yards when specify entire chair in the same fabric. See Order Information in Appendices.

Customers Own Leather (COL) requires 45 square feet for the shell inside and outside, an additional 31½ square feet for the arm cap and cushion, or 76½ yards when specify entire chair in the same leather. See Order Information in Appendices.

Dimensions



Specification Information

Step 1.

SBR4N A \$1981

Step 2. Shell Upholstery

Price Category 1	+\$0
Price Category 2	+\$122
Price Category (Geiger) 2	+\$122
Price Category (Geiger) 3	+\$153
Price Category 3	+\$153
Price Category (Geiger) 4	+\$186
Price Category 4	+\$186
Price Category (Geiger) 5	+\$271
Price Category 5	+\$271
Price Category (Geiger) 6	+\$356
Price Category (Geiger) 7	+\$441
Price Category (Geiger) 8	+\$675
Price Category 9	+\$838
Price Category (Geiger) 10	+\$964
Price Category (Geiger) 11	+\$1080
Price Category 11	+\$1080
Price Category (Geiger) C	+\$137
Price Category (Geiger) D	+\$181
Price Category (Geiger) E	+\$220
Price Category (Geiger) F	+\$263
Price Category (Geiger) G	+\$359
Price Category (Geiger) H	+\$446
Price Category (Geiger) I	+\$539
Price Category (Geiger) J	+\$632
Price Category (Geiger) K	+\$725
Price Category (Geiger) L	+\$817
Price Category (Geiger) M	+\$910
Price Category (Geiger) N	+\$1003
Price Category (Geiger) O	+\$1095
Price Category (Geiger) P	+\$1185
Price Category (Geiger) Q	+\$1368
Price Category (Geiger) R	+\$1906
Price Category (Geiger) S	+\$2048
Price Category (Geiger) T	+\$2189
Price Category (Geiger) U	+\$2331
Price Category (Geiger) X	+\$2756
Price Category (Geiger) Y	+\$2898
Price Category (Geiger) COM A	+\$0
Price Category (Geiger) COL A	+\$306

Step 3. Arm Cap and Cushion Upholstery

Price Category 1 +\$0

Bumper Lounge Chair *continued*

Price Category 2	+\$85
Price Category (Geiger) 2	+\$85
Price Category (Geiger) 3	+\$107
Price Category 3	+\$107
Price Category (Geiger) 4	+\$130
Price Category 4	+\$130
Price Category (Geiger) 5	+\$190
Price Category 5	+\$190
Price Category (Geiger) 6	+\$250
Price Category (Geiger) 7	+\$308
Price Category (Geiger) 8	+\$473
Price Category 9	+\$587
Price Category (Geiger) 10	+\$675
Price Category (Geiger) 11	+\$755
Price Category 11	+\$755
Price Category (Geiger) C	+\$96
Price Category (Geiger) D	+\$127
Price Category (Geiger) E	+\$154
Price Category (Geiger) F	+\$185
Price Category (Geiger) G	+\$251
Price Category (Geiger) H	+\$313
Price Category (Geiger) I	+\$377
Price Category (Geiger) J	+\$442
Price Category (Geiger) K	+\$507
Price Category (Geiger) L	+\$572
Price Category (Geiger) M	+\$637
Price Category (Geiger) O	+\$767
Price Category (Geiger) P	+\$830
Price Category (Geiger) Q	+\$957
Price Category (Geiger) R	+\$1334
Price Category (Geiger) S	+\$1433
Price Category (Geiger) X	+\$1930
Price Category (Geiger) Y	+\$2029
Price Category (Geiger) COL <input type="checkbox"/> A	+\$95
Price Category (Geiger) COM <input type="checkbox"/> A	+\$0

Step 4. Base Finish

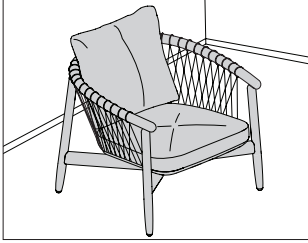
CD polished aluminum <input type="checkbox"/> A	+\$0
--	------

Step 5. Fire Retardancy

NOCAL not fire retardant <input type="checkbox"/> A	+\$0
133 fire retardant <input type="checkbox"/> A	+\$276

Crosshatch Lounge Chair

SES1A
SES1W



HermanMiller Collection—Lounge Seating

Product Information

Description

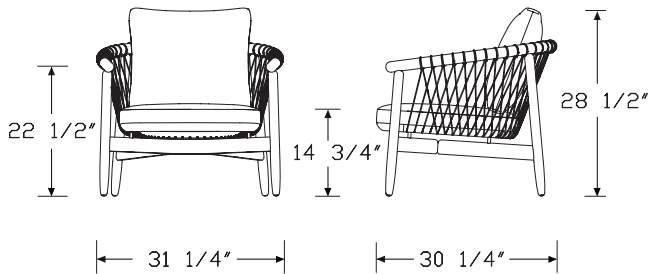
This lounge chair has a solid wood frame with cushions made of foam and DACRON®. Chair cord comes in several color options. Fire retardant chair meets CAL 133 requirements.

Notes

Cord color is specified separately from cushion color.

Customer's Own Material (COM) requires 1½ yards. Customer's Own Leather (COL) requires 27 square feet. See Order Information in Appendices.

Dimensions



Specification Information

Step 1.

SES1 A

Step 2. Frame Finish

A ash A

W walnut A

Prices for Steps 1-2.

SES1A	\$2731
SES1W	\$3248

Step 3. Wood Finish

RecoGrain Veneer

For ash (A)

66G	recoGrain wenge A	+\$0
68W	recoGrain walnut, flat cut, matte sheen A	+\$0
69G	recoGrain wenge A	+\$0
69W	recoGrain walnut, quarter cut, matte sheen A	+\$0
66W	recoGrain walnut, matte A	+\$0

Recon Veneer -

For ash (A)

98W	recoGrain walnut, flat cut, low sheen A	+\$0
99G	recoGrain wenge, quarter cut, low sheen A	+\$0
99W	recoGrain walnut, quarter cut, low sheen A	+\$0

Low Sheen Finishes (on Ash)

For ash (A)

967	smoked paldao, low sheen A	+\$0
969	warm paldao, low sheen A	+\$0

Crosshatch Lounge Chair *continued*

Low Sheen Finishes (on Ash)

For ash (A)

G2U	light brown walnut, low sheen <input type="checkbox"/>	+\$0
G40	dark brown walnut, low sheen <input type="checkbox"/>	+\$0
940	sundance cherry on maple <input type="checkbox"/>	+\$0
943	caramel cherry <input type="checkbox"/>	+\$0
946	cocoa cherry <input type="checkbox"/>	+\$0
956	cocoa sapele <input type="checkbox"/>	+\$0
962	toasted walnut, low sheen <input type="checkbox"/>	+\$0
963	charred walnut, low sheen <input type="checkbox"/>	+\$0
964	bronzed walnut, low sheen <input type="checkbox"/>	+\$0
965	smoked walnut, low sheen <input type="checkbox"/>	+\$0
966	coffee walnut, low sheen <input type="checkbox"/>	+\$0
977	chocolate ash, low sheen <input type="checkbox"/>	+\$0
98R	recograin rosewood <input type="checkbox"/>	+\$0
991	champagne ash <input type="checkbox"/>	+\$0
998	ebony ash <input type="checkbox"/>	+\$0
99A	recograin frosty ash <input type="checkbox"/>	+\$0
99R	recograin rosewood <input type="checkbox"/>	+\$0
99T	recograin teak <input type="checkbox"/>	+\$0
9A1	white ash, quarter cut, low sheen <input type="checkbox"/>	+\$0
9K1	rift oak, rift cut, low sheen <input type="checkbox"/>	+\$0
9K6	burnt oak, rift cut, low sheen <input type="checkbox"/>	+\$0
ED	aged cherry <input type="checkbox"/>	+\$0
EK	medium red walnut <input type="checkbox"/>	+\$0
UX	walnut on cherry <input type="checkbox"/>	+\$0

Matte Sheen Finishes (on Ash)

For ash (A)

66A	recograin frosty ash <input type="checkbox"/>	+\$0
677	chocolate ash, matte sheen <input type="checkbox"/>	+\$0
68R	recograin rosewood <input type="checkbox"/>	+\$0
69A	recograin frosty ash <input type="checkbox"/>	+\$0
69R	recograin rosewood <input type="checkbox"/>	+\$0
69T	recograin teak <input type="checkbox"/>	+\$0
6A1	white ash <input type="checkbox"/>	+\$0
6K1	rift oak <input type="checkbox"/>	+\$0
6K6	burnt oak <input type="checkbox"/>	+\$0
ET	clear on ash <input type="checkbox"/>	+\$0
EU	oak on ash <input type="checkbox"/>	+\$0
EV	walnut on ash <input type="checkbox"/>	+\$0
GOU	natural walnut, flat cut, matte sheen <input type="checkbox"/>	+\$0

Anigre Veneer - Low Sheen

For walnut (W)

967	smoked paldao, low sheen <input type="checkbox"/>	+\$0
969	warm paldao, low sheen <input type="checkbox"/>	+\$0

Premium Veneer - Matte

For walnut (W)

667	smoked paldao, quarter cut, matte sheen <input type="checkbox"/>	+\$0
669	warm paldao, quarter cut, matte sheen <input type="checkbox"/>	+\$0
662	toasted walnut, matte sheen <input type="checkbox"/>	+\$0
663	charred walnut, matte sheen <input type="checkbox"/>	+\$0
664	bronzed walnut, matte sheen <input type="checkbox"/>	+\$0
665	smoked walnut, matte sheen <input type="checkbox"/>	+\$0
666	coffee walnut, matte sheen <input type="checkbox"/>	+\$0
68R	recograin rosewood <input type="checkbox"/>	+\$0
69R	recograin rosewood <input type="checkbox"/>	+\$0
GOU	natural walnut, flat cut, matte sheen <input type="checkbox"/>	+\$0

RecoGrain Veneer

For walnut (W)

66G	recograin wenge <input type="checkbox"/>	+\$0
69G	recograin wenge <input type="checkbox"/>	+\$0

Recon Veneer -

For walnut (W)

96G	wenge recograin, quarter cut, low sheen <input type="checkbox"/>	+\$0
99G	recograin wenge, quarter cut, low sheen <input type="checkbox"/>	+\$0

Low Sheen Finishes (on Walnut)

For walnut (W)

G2U	light brown walnut, low sheen <input type="checkbox"/>	+\$0
G40	dark brown walnut, low sheen <input type="checkbox"/>	+\$0
962	toasted walnut, low sheen <input type="checkbox"/>	+\$0
963	charred walnut, low sheen <input type="checkbox"/>	+\$0
964	bronzed walnut, low sheen <input type="checkbox"/>	+\$0
965	smoked walnut, low sheen <input type="checkbox"/>	+\$0
966	coffee walnut, low sheen <input type="checkbox"/>	+\$0
972	sundance walnut <input type="checkbox"/>	+\$0
98R	recograin rosewood <input type="checkbox"/>	+\$0
99R	recograin rosewood <input type="checkbox"/>	+\$0
EK	medium red walnut <input type="checkbox"/>	+\$0

Step 4. Seat/Cushion

Price Category 1	+\$61
Price Category (Geiger) 2	+\$0
Price Category 2	+\$74
Price Category (Geiger) 3	+\$92
Price Category 3	+\$92
Price Category (Geiger) 4	+\$112
Price Category 4	+\$112
Price Category (Geiger) 5	+\$163
Price Category 5	+\$163

Crosshatch Lounge Chair *continued*

Price Category (Geiger) 6	+\$214
Price Category (Geiger) 7	+\$265
Price Category (Geiger) 8	+\$405
Price Category (Geiger) 9	+\$503
Price Category 9	+\$503
Price Category (Geiger) 10	+\$578
Price Category (Geiger) 11	+\$648
Price Category 11	+\$648
Price Category 14	+\$849
Price Category (Geiger) C	+\$83
Price Category (Geiger) D	+\$109
Price Category (Geiger) E	+\$132
Price Category (Geiger) F	+\$158
Price Category (Geiger) G	+\$216
Price Category (Geiger) H	+\$268
Price Category (Geiger) I	+\$324
Price Category (Geiger) J	+\$380
Price Category (Geiger) K	+\$435
Price Category (Geiger) L	+\$491
Price Category (Geiger) M	+\$546
Price Category (Geiger) N	+\$602
Price Category (Geiger) O	+\$658
Price Category (Geiger) P	+\$711
Price Category (Geiger) Q	+\$821
Price Category (Geiger) R	+\$1144
Price Category (Geiger) U	+\$1399
Price Category (Geiger) COM <input type="checkbox"/>	+\$0
Price Category (Geiger) COL <input type="checkbox"/>	+\$108

Step 5. Cord

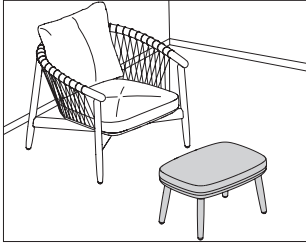
CBK black cord <input type="checkbox"/>	+\$0
CBR dark brown cord <input type="checkbox"/>	+\$0
CCM cream cord <input type="checkbox"/>	+\$0
CGY gray cord <input type="checkbox"/>	+\$0

Step 6. Fire Retardancy

NOCAL no cal-133 required <input type="checkbox"/>	+\$0
---	------

Crosshatch Ottoman

SES3A
SES3W



Product Information

Description

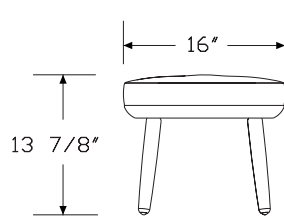
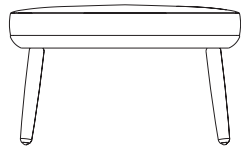
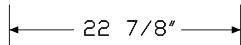
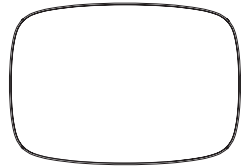
This ottoman has a solid wood frame with an upholstered cushion. Frame comes in ash or walnut.

Notes

Fire retardant chair meets CAL 133 requirements.

Customer's Own Material (COM) requires $\frac{3}{4}$ yards. Customer's Own Leather (COL) requires $13\frac{1}{2}$ square feet. See Order Information in appendices.

Dimensions



Specification Information

Step 1.

SES3

Step 2. Wood Species

A ash

W walnut

Prices for Steps 1-2.

SES3A \$1054
SES3W \$1216

Step 3. Wood Finish

For ash (A)

66W recograin walnut, matte +\$0
68W recograin walnut, flat cut, matte sheen +\$0
69G recograin wenge +\$0
69W recograin walnut, quarter cut, matte sheen +\$0
66G recograin wenge +\$0

For ash (A)

98W recograin walnut, flat cut, low sheen +\$0
99G recograin wenge, quarter cut, low sheen +\$0
99W recograin walnut, quarter cut, low sheen +\$0

Low Sheen Finishes (on Ash)

For ash (A)

967 smoked paldao, low sheen +\$0
969 warm paldao, low sheen +\$0
932 sundance anigre +\$0
933 caramel anigre +\$0
934 henna anigre +\$0

<i>For ash (A)</i>		
940	sundance cherry on maple	+ \$0
962	toasted walnut, low sheen	+ \$0
963	charred walnut, low sheen	+ \$0
964	bronzed walnut, low sheen	+ \$0
965	smoked walnut, low sheen	+ \$0
966	coffee walnut, low sheen	+ \$0
977	chocolate ash, low sheen	+ \$0
98R	recograin rosewood	+ \$0
99A	recograin frosty ash	+ \$0
99R	recograin rosewood	+ \$0
99T	recograin teak	+ \$0
9A1	white ash, quarter cut, low sheen	+ \$0
9K1	rift oak, rift cut, low sheen	+ \$0
9K6	burnt oak, rift cut, low sheen	+ \$0
EK	medium red walnut	+ \$0
EW	medium matte walnut	+ \$0
G2U	light brown walnut, low sheen	+ \$0
G40	dark brown walnut, low sheen	+ \$0
UX	walnut on cherry	+ \$0
943	caramel cherry	+ \$0
944	henna cherry	+ \$0
945	port cherry	+ \$0
946	cocoa cherry	+ \$0
954	henna sapele	+ \$0
955	port sapele	+ \$0
956	cocoa sapele	+ \$0
957	espresso sapele	+ \$0
991	champagne ash	+ \$0
998	ebony ash	+ \$0
ED	aged cherry	+ \$0

<i>Matte Sheen Finishes (on Ash)</i>		
<i>For ash (A)</i>		
66A	recograin frosty ash	+ \$0
677	chocolate ash, matte sheen	+ \$0
68R	recograin rosewood	+ \$0
69A	recograin frosty ash	+ \$0
69R	recograin rosewood	+ \$0
69T	recograin teak	+ \$0
6K1	rift oak	+ \$0
ET	clear on ash	+ \$0
EU	oak on ash	+ \$0
EV	walnut on ash	+ \$0
6A1	white ash	+ \$0
6A2	platinum ash	+ \$0
6K6	burnt oak	+ \$0
GOU	natural walnut, flat cut, matte sheen	+ \$0

<i>For walnut (W)</i>		
967	smoked paldao, low sheen	+ \$0
969	warm paldao, low sheen	+ \$0

<i>For walnut (W)</i>		
66G	recograin wenge	+ \$0
69G	recograin wenge	+ \$0

<i>For walnut (W)</i>		
96G	wenge recograin, quarter cut, low sheen	+ \$0
99G	recograin wenge, quarter cut, low sheen	+ \$0

<i>Low Sheen Finishes (on Walnut)</i>		
<i>For walnut (W)</i>		
962	toasted walnut, low sheen	+ \$0
963	charred walnut, low sheen	+ \$0
964	bronzed walnut, low sheen	+ \$0
965	smoked walnut, low sheen	+ \$0
966	coffee walnut, low sheen	+ \$0
972	sundance walnut	+ \$0
98R	recograin rosewood	+ \$0
99R	recograin rosewood	+ \$0
G2U	light brown walnut, low sheen	+ \$0
G40	dark brown walnut, low sheen	+ \$0
973	caramel walnut	+ \$0
974	henna walnut	+ \$0
975	port walnut	+ \$0
976	cocoa walnut	+ \$0
EK	medium red walnut	+ \$0

Crosshatch Ottoman *continued*

For walnut (W)

662	toasted walnut, matte sheen <input type="checkbox"/> A	+\$0
663	charred walnut, matte sheen <input type="checkbox"/> A	+\$0
664	bronzed walnut, matte sheen <input type="checkbox"/> A	+\$0
665	smoked walnut, matte sheen <input type="checkbox"/> A	+\$0
666	coffee walnut, matte sheen <input type="checkbox"/> A	+\$0
667	smoked paldao, quarter cut, matte sheen <input type="checkbox"/> A	+\$0
669	warm paldao, quarter cut, matte sheen <input type="checkbox"/> A	+\$0
68R	recograin rosewood <input type="checkbox"/> A	+\$0
69R	recograin rosewood <input type="checkbox"/> A	+\$0
GOU	natural walnut, flat cut, matte sheen <input type="checkbox"/> A	+\$0

Step 4. Fabric

Price Category 1	+\$30
Price Category (Geiger) 2	+\$0
Price Category 2	+\$37
Price Category (Geiger) 3	+\$46
Price Category 3	+\$46
Price Category (Geiger) 4	+\$56
Price Category 4	+\$56
Price Category (Geiger) 5	+\$82
Price Category 5	+\$82
Price Category (Geiger) 6	+\$108
Price Category (Geiger) 7	+\$132
Price Category (Geiger) 8	+\$203
Price Category (Geiger) 9	+\$252
Price Category 9	+\$252
Price Category (Geiger) 10	+\$290
Price Category (Geiger) 11	+\$324
Price Category (Geiger) 14	+\$425
Price Category (Geiger) C	+\$42
Price Category (Geiger) D	+\$55
Price Category (Geiger) E	+\$66
Price Category (Geiger) F	+\$80
Price Category (Geiger) G	+\$108
Price Category (Geiger) H	+\$134
Price Category (Geiger) I	+\$162
Price Category (Geiger) J	+\$190
Price Category (Geiger) K	+\$218
Price Category (Geiger) L	+\$246
Price Category (Geiger) M	+\$273
Price Category (Geiger) N	+\$301
Price Category (Geiger) O	+\$329
Price Category (Geiger) P	+\$356
Price Category (Geiger) Q	+\$410
Price Category (Geiger) R	+\$572
Price Category (Geiger) U	+\$700

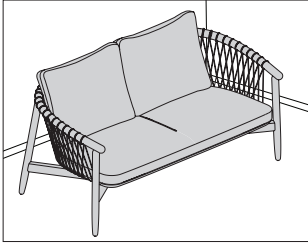
Price Category (Geiger) COM <input type="checkbox"/> A	+\$0
Price Category (Geiger) COL <input type="checkbox"/> A	+\$54

Step 5. Fire Retardancy

NOCAL no cal-133 required <input type="checkbox"/> A	+\$0
---	------

Crosshatch Settee

SES4A
SES4W



HermanMiller Collection—Lounge Seating

Product Information

Description

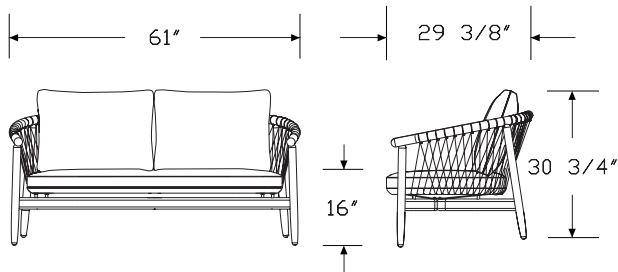
This settee has a solid wood frame with cushions made of foam and DACRON®. Chair cord comes in several color options. Fire retardant chair meets CAL 133 requirements.

Notes

Cord color is specified separately from cushion color.

Customer's Own Material (COM) requires 2½ yards. Customer's Own Leather (COL) requires 45 square feet. See Order Information in Appendices.

Dimensions



Specification Information

Step 1.

SES4 A

Step 2. Frame Finish

A ash A

W walnut A

Prices for Steps 1-2.

SES4A	\$3967
SES4W	\$4570

Step 3. Wood Finish

RecoGrain Veneer

For ash (A)

66G	recoGrain wenge A	+ \$0
68W	recoGrain walnut, flat cut, matte sheen A	+ \$0
69G	recoGrain wenge A	+ \$0
69W	recoGrain walnut, quarter cut, matte sheen A	+ \$0
66W	recoGrain walnut, matte A	+ \$0

Recon Veneer -

For ash (A)

98W	recoGrain walnut, flat cut, low sheen A	+ \$0
99G	recoGrain wenge, quarter cut, low sheen A	+ \$0
99W	recoGrain walnut, quarter cut, low sheen A	+ \$0

Low Sheen Finishes (on Ash)

For ash (A)

967	smoked paldao, low sheen A	+ \$0
969	warm paldao, low sheen A	+ \$0

Low Sheen Finishes (on Ash)

For ash (A)

G2U	light brown walnut, low sheen A	+\$0
G40	dark brown walnut, low sheen A	+\$0
940	sundance cherry on maple A	+\$0
943	caramel cherry A	+\$0
946	cocoa cherry A	+\$0
956	cocoa sapele A	+\$0
962	toasted walnut, low sheen A	+\$0
963	charred walnut, low sheen A	+\$0
964	bronzed walnut, low sheen A	+\$0
965	smoked walnut, low sheen A	+\$0
966	coffee walnut, low sheen A	+\$0
977	chocolate ash, low sheen A	+\$0
98R	recograin rosewood A	+\$0
991	champagne ash A	+\$0
998	ebony ash A	+\$0
99A	recograin frosty ash A	+\$0
99R	recograin rosewood A	+\$0
99T	recograin teak A	+\$0
9A1	white ash, quarter cut, low sheen A	+\$0
9K1	rift oak, rift cut, low sheen A	+\$0
9K6	burnt oak, rift cut, low sheen A	+\$0
ED	aged cherry A	+\$0
EK	medium red walnut A	+\$0
UX	walnut on cherry A	+\$0

Matte Sheen Finishes (on Ash)

For ash (A)

66A	recograin frosty ash A	+\$0
677	chocolate ash, matte sheen A	+\$0
68R	recograin rosewood A	+\$0
69A	recograin frosty ash A	+\$0
69R	recograin rosewood A	+\$0
69T	recograin teak A	+\$0
6A1	white ash A	+\$0
6K1	rift oak A	+\$0
6K6	burnt oak A	+\$0
ET	clear on ash A	+\$0
EU	oak on ash A	+\$0
EV	walnut on ash A	+\$0
GOU	natural walnut, flat cut, matte sheen A	+\$0

Anigre Veneer - Low Sheen

For walnut (W)

967	smoked paldao, low sheen A	+\$0
969	warm paldao, low sheen A	+\$0

Premium Veneer - Matte

For walnut (W)

667	smoked paldao, quarter cut, matte sheen A	+\$0
669	warm paldao, quarter cut, matte sheen A	+\$0
662	toasted walnut, matte sheen A	+\$0
663	charred walnut, matte sheen A	+\$0
664	bronzed walnut, matte sheen A	+\$0
665	smoked walnut, matte sheen A	+\$0
666	coffee walnut, matte sheen A	+\$0
68R	recograin rosewood A	+\$0
69R	recograin rosewood A	+\$0
GOU	natural walnut, flat cut, matte sheen A	+\$0

RecoGrain Veneer

For walnut (W)

66G	recograin wenge A	+\$0
69G	recograin wenge A	+\$0

Recon Veneer -

For walnut (W)

96G	wenge recograin, quarter cut, low sheen A	+\$0
99G	recograin wenge, quarter cut, low sheen A	+\$0

Low Sheen Finishes (on Walnut)

For walnut (W)

G2U	light brown walnut, low sheen A	+\$0
G40	dark brown walnut, low sheen A	+\$0
962	toasted walnut, low sheen A	+\$0
963	charred walnut, low sheen A	+\$0
964	bronzed walnut, low sheen A	+\$0
965	smoked walnut, low sheen A	+\$0
966	coffee walnut, low sheen A	+\$0
972	sundance walnut A	+\$0
98R	recograin rosewood A	+\$0
99R	recograin rosewood A	+\$0
EK	medium red walnut A	+\$0

Step 4. Seat/Cushion

Price Category 1	+\$103
Price Category (Geiger) 2	+\$123
Price Category 2	+\$123
Price Category (Geiger) 3	+\$153
Price Category 3	+\$153
Price Category (Geiger) 4	+\$188
Price Category 4	+\$188
Price Category (Geiger) 5	+\$273
Price Category 5	+\$273

Price Category (Geiger) 6	+\$358
Price Category (Geiger) 7	+\$443
Price Category (Geiger) 8	+\$675
Price Category (Geiger) 9	+\$838
Price Category 9	+\$838
Price Category (Geiger) 10	+\$965
Price Category (Geiger) 11	+\$1080
Price Category 11	+\$1080
Price Category 14	+\$1415
Price Category (Geiger) C	+\$138
Price Category (Geiger) D	+\$183
Price Category (Geiger) E	+\$220
Price Category (Geiger) F	+\$265
Price Category (Geiger) G	+\$360
Price Category (Geiger) H	+\$448
Price Category (Geiger) I	+\$540
Price Category (Geiger) J	+\$633
Price Category (Geiger) K	+\$725
Price Category (Geiger) L	+\$818
Price Category (Geiger) M	+\$910
Price Category (Geiger) N	+\$1003
Price Category (Geiger) O	+\$1095
Price Category (Geiger) P	+\$1185
Price Category (Geiger) Q	+\$1368
Price Category (Geiger) R	+\$1908
Price Category (Geiger) U	+\$2333
Price Category (Geiger) COM <input type="checkbox"/>	+\$0
Price Category (Geiger) COL <input type="checkbox"/>	+\$180

Step 5. Cord

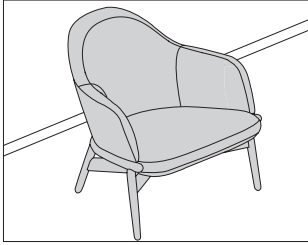
CBK black cord <input type="checkbox"/>	+\$0
CBR dark brown cord <input type="checkbox"/>	+\$0
CCM cream cord <input type="checkbox"/>	+\$0
CGY gray cord <input type="checkbox"/>	+\$0

Step 6. Fire Retardancy

NOCAL no cal-133 required <input type="checkbox"/>	+\$0
---	------

Reframe Mid-Back Lounge Chair

SJAA
SJAW



Product Information

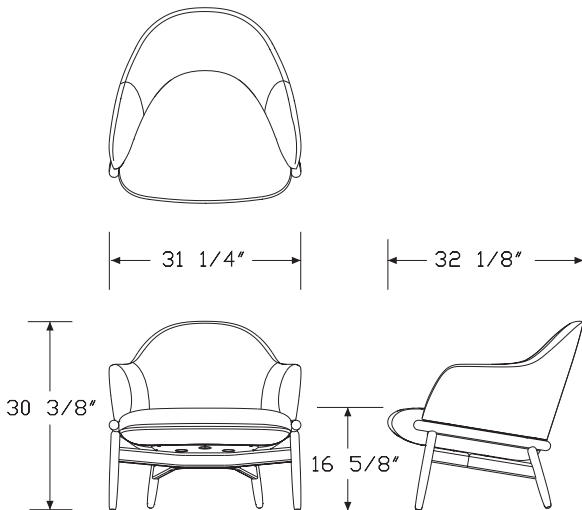
Description

This chair has a solid wood frame. Seat and back are composed of rigid and flexible polyurethane foam.

Notes

Customer's Own Material (COM) requires 3 1/2 yards. Customer's Own Leather (COL) requires 63 square feet.

Dimensions



Specification Information

Step 1.

SJA

Step 2. Wood Species

A ash

W walnut

Prices for Steps 1-2.

SJAA \$2686

SJAW \$3187

Step 3. Wood Finish

For ash (A)

662	toasted walnut, matte sheen <input type="checkbox"/>	+\$0
663	charred walnut, matte sheen <input type="checkbox"/>	+\$0
664	bronzed walnut, matte sheen <input type="checkbox"/>	+\$0
665	smoked walnut, matte sheen <input type="checkbox"/>	+\$0
666	coffee walnut, matte sheen <input type="checkbox"/>	+\$0
667	smoked paldao, matte sheen <input type="checkbox"/>	+\$0
669	warm paldao, matte sheen <input type="checkbox"/>	+\$0
66A	recograin frosty ash, matte sheen <input type="checkbox"/>	+\$0
66G	recograin wenge, matte sheen <input type="checkbox"/>	+\$0
66W	recograin walnut, matte sheen <input type="checkbox"/>	+\$0
677	chocolate ash, matte sheen <input type="checkbox"/>	+\$0
68R	recograin rosewood, matte sheen <input type="checkbox"/>	+\$0
68W	recograin walnut, matte sheen <input type="checkbox"/>	+\$0
69A	recograin frosty ash, matte sheen <input type="checkbox"/>	+\$0
69G	recograin wenge, matte sheen <input type="checkbox"/>	+\$0
69R	recograin rosewood, matte sheen <input type="checkbox"/>	+\$0
69T	recograin teak, matte sheen <input type="checkbox"/>	+\$0
69W	recograin walnut, matte sheen <input type="checkbox"/>	+\$0
6A1	white ash, matte sheen <input type="checkbox"/>	+\$0
6A2	platinum ash, matte sheen <input type="checkbox"/>	+\$0
6ET	clear on ash, matte sheen <input type="checkbox"/>	+\$0
6EU	clear on oak, matte sheen <input type="checkbox"/>	+\$0
6EV	walnut on ash, matte sheen <input type="checkbox"/>	+\$0
6K1	rift oak, matte sheen <input type="checkbox"/>	+\$0
6K6	burnt oak, matte sheen <input type="checkbox"/>	+\$0
ET	clear on ash, matte sheen <input type="checkbox"/>	+\$0
EU	oak on ash, matte sheen <input type="checkbox"/>	+\$0
EV	walnut on ash, matte sheen <input type="checkbox"/>	+\$0
GOU	walnut, matte sheen <input type="checkbox"/>	+\$0

Reframe Mid-Back Lounge Chair

continued

HermanMiller Collection—Lounge Seating

For ash (A)

940	sundance cherry on maple, low sheen	A	+\$0
943	caramel cherry, low sheen	A	+\$0
946	cocoa cherry, low sheen	A	+\$0
956	cocoa sapele, low sheen	A	+\$0
962	toasted walnut, low sheen	A	+\$0
963	charred walnut, low sheen	A	+\$0
964	bronzed walnut, low sheen	A	+\$0
965	smoked walnut, low sheen	A	+\$0
966	coffee walnut, low sheen	A	+\$0
967	smoked paldao, low sheen	A	+\$0
969	warm paldao, low sheen	A	+\$0
96A	recograin frosty ash, low sheen	A	+\$0
96G	recograin wenge, low sheen	A	+\$0
96W	recograin walnut, low sheen	A	+\$0
977	chocolate ash, low sheen	A	+\$0
98R	recograin rosewood, low sheen	A	+\$0
98W	recograin walnut, low sheen	A	+\$0
991	champagne ash, low sheen	A	+\$0
998	ebony ash, low sheen	A	+\$0
99A	recograin frosty ash, low sheen	A	+\$0
99G	recograin wenge, low sheen	A	+\$0
99R	recograin rosewood, low sheen	A	+\$0
99T	recograin teak, low sheen	A	+\$0
99W	recograin walnut, low sheen	A	+\$0
9A1	white ash, quarter cut, low sheen	A	+\$0
9K1	rift oak, low sheen	A	+\$0
9K6	burnt oak, low sheen	A	+\$0
ED	aged cherry, low sheen	A	+\$0
EK	medium red walnut, low sheen	A	+\$0
G2U	light brown walnut, low sheen	A	+\$0
G40	dark brown walnut, low sheen	A	+\$0
UX	walnut on cherry, low sheen	A	+\$0

For walnut (W)

662	toasted walnut, matte sheen	A	+\$0
663	charred walnut, matte sheen	A	+\$0
664	bronzed walnut, matte sheen	A	+\$0
665	smoked walnut, matte sheen	A	+\$0
666	coffee walnut, matte sheen	A	+\$0
667	smoked paldao, matte sheen	A	+\$0
669	warm paldao, matte sheen	A	+\$0
66G	recograin wenge, matte sheen	A	+\$0
68R	recograin rosewood, matte sheen	A	+\$0
69G	recograin wenge, matte sheen	A	+\$0
69R	recograin rosewood, matte sheen	A	+\$0
6EV	walnut on ash, matte sheen	A	+\$0
EV	walnut on ash, matte sheen	A	+\$0
GOU	walnut, matte sheen	A	+\$0

For walnut (W)

962	toasted walnut, low sheen	A	+\$0
963	charred walnut, low sheen	A	+\$0
964	bronzed walnut, low sheen	A	+\$0
965	smoked walnut, low sheen	A	+\$0
966	coffee walnut, low sheen	A	+\$0
967	smoked paldao, low sheen	A	+\$0
969	warm paldao, low sheen	A	+\$0
972	sundance walnut, low sheen	A	+\$0
96G	recograin wenge, low sheen	A	+\$0
98R	recograin rosewood, low sheen	A	+\$0
99G	recograin wenge, low sheen	A	+\$0
99R	recograin rosewood, low sheen	A	+\$0
EK	medium red walnut, low sheen	A	+\$0
G2U	light brown walnut, low sheen	A	+\$0
G40	dark brown walnut, low sheen	A	+\$0

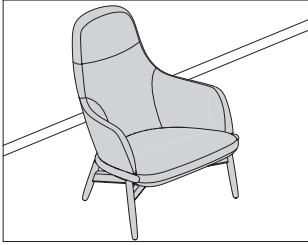
Reframe Mid-Back Lounge Chair

continued

Step 4. Fabric	
Price Category 4	+\$260
Price Category (Geiger) COM <input type="checkbox"/> A	+\$0
Price Category (Geiger) COL <input type="checkbox"/> A	+\$252
Price Category 1	+\$0
Price Category 2	+\$170
Price Category (Geiger) 3	+\$214
Price Category (Geiger) 4	+\$260
Price Category (Geiger) 5	+\$380
Price Category 5	+\$380
Price Category (Geiger) 7	+\$617
Price Category 8	+\$945
Price Category 9	+\$1174
Price Category (Geiger) 11	+\$1512
Price Category 11	+\$1512
Price Category (Geiger) 14	+\$1980
Price Category (Geiger) C	+\$192
Price Category (Geiger) E	+\$307
Price Category (Geiger) F	+\$371
Price Category (Geiger) G	+\$502
Price Category (Geiger) H	+\$625
Step 5. Fire Retardancy	
NOCAL no cal-133 required <input type="checkbox"/> A	+\$0

Reframe High-Back Lounge Chair

SJBA
SJBW



HermanMiller Collection—Lounge Seating

Product Information

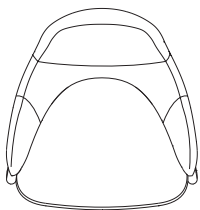
Description

This chair has a solid wood frame. Seat and back are composed of rigid and flexible polyurethane foam.

Notes

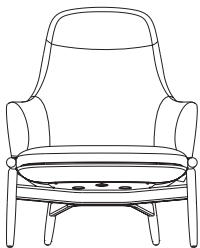
Customer's Own Material (COM) requires 3³/₄ yards. Customer's Own Leather (COL) requires 67¹/₂ square feet.

Dimensions

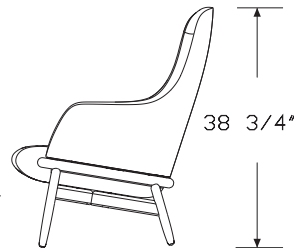


31 1/4"

33 3/8"



16 5/8"



38 3/4"

Specification Information

Step 1.

SJB A

Step 2. Wood Species

A ash A

W walnut A

Prices for Steps 1-2.

SJBA \$2838

SJBW \$3339

Step 3. Wood Finish

For ash (A)

662	toasted walnut, matte sheen	<input type="checkbox"/> A	+\$0
663	charred walnut, matte sheen	<input type="checkbox"/> A	+\$0
664	bronzed walnut, matte sheen	<input type="checkbox"/> A	+\$0
665	smoked walnut, matte sheen	<input type="checkbox"/> A	+\$0
666	coffee walnut, matte sheen	<input type="checkbox"/> A	+\$0
667	smoked paldao, matte sheen	<input type="checkbox"/> A	+\$0
669	warm paldao, matte sheen	<input type="checkbox"/> A	+\$0
66A	recograin frosty ash, matte sheen	<input type="checkbox"/> A	+\$0
66G	recograin wenge, matte sheen	<input type="checkbox"/> A	+\$0
66W	recograin walnut, matte sheen	<input type="checkbox"/> A	+\$0
677	chocolate ash, matte sheen	<input type="checkbox"/> A	+\$0
68R	recograin rosewood, matte sheen	<input type="checkbox"/> A	+\$0
68W	recograin walnut, matte sheen	<input type="checkbox"/> A	+\$0
69A	recograin frosty ash, matte sheen	<input type="checkbox"/> A	+\$0
69G	recograin wenge, matte sheen	<input type="checkbox"/> A	+\$0
69R	recograin rosewood, matte sheen	<input type="checkbox"/> A	+\$0
69T	recograin teak, matte sheen	<input type="checkbox"/> A	+\$0
69W	recograin walnut, matte sheen	<input type="checkbox"/> A	+\$0
6A1	white ash, matte sheen	<input type="checkbox"/> A	+\$0
6A2	platinum ash, matte sheen	<input type="checkbox"/> A	+\$0
6ET	clear on ash, matte sheen	<input type="checkbox"/> A	+\$0
6EU	clear on oak, matte sheen	<input type="checkbox"/> A	+\$0
6EV	walnut on ash, matte sheen	<input type="checkbox"/> A	+\$0
6K1	rift oak, matte sheen	<input type="checkbox"/> A	+\$0
6K6	burnt oak, matte sheen	<input type="checkbox"/> A	+\$0
ET	clear on ash, matte sheen	<input type="checkbox"/> A	+\$0
EU	oak on ash, matte sheen	<input type="checkbox"/> A	+\$0
EV	walnut on ash, matte sheen	<input type="checkbox"/> A	+\$0
GOU	walnut, matte sheen	<input type="checkbox"/> A	+\$0

Reframe High-Back Lounge Chair

continued

For ash (A)

940	sundance cherry on maple, low sheen A	+\$0
943	caramel cherry, low sheen A	+\$0
946	cocoa cherry, low sheen A	+\$0
956	cocoa sapele, low sheen A	+\$0
962	toasted walnut, low sheen A	+\$0
963	charred walnut, low sheen A	+\$0
964	bronzed walnut, low sheen A	+\$0
965	smoked walnut, low sheen A	+\$0
966	coffee walnut, low sheen A	+\$0
967	smoked paldao, low sheen A	+\$0
969	warm paldao, low sheen A	+\$0
96A	recograin frosty ash, low sheen A	+\$0
96G	recograin wenge, low sheen A	+\$0
96W	recograin walnut, low sheen A	+\$0
977	chocolate ash, low sheen A	+\$0
98R	recograin rosewood, low sheen A	+\$0
98W	recograin walnut, low sheen A	+\$0
991	champagne ash, low sheen A	+\$0
998	ebony ash, low sheen A	+\$0
99A	recograin frosty ash, low sheen A	+\$0
99G	recograin wenge, low sheen A	+\$0
99R	recograin rosewood, low sheen A	+\$0
99T	recograin teak, low sheen A	+\$0
99W	recograin walnut, low sheen A	+\$0
9A1	white ash, quarter cut, low sheen A	+\$0
9K1	rift oak, low sheen A	+\$0
9K6	burnt oak, low sheen A	+\$0
ED	aged cherry, low sheen A	+\$0
EK	medium red walnut, low sheen A	+\$0
G2U	light brown walnut, low sheen A	+\$0
G40	dark brown walnut, low sheen A	+\$0
UX	walnut on cherry, low sheen A	+\$0

For walnut (W)

662	toasted walnut, matte sheen A	+\$0
663	charred walnut, matte sheen A	+\$0
664	bronzed walnut, matte sheen A	+\$0
665	smoked walnut, matte sheen A	+\$0
666	coffee walnut, matte sheen A	+\$0
667	smoked paldao, matte sheen A	+\$0
669	warm paldao, matte sheen A	+\$0
66G	recograin wenge, matte sheen A	+\$0
68R	recograin rosewood, matte sheen A	+\$0
69G	recograin wenge, matte sheen A	+\$0
69R	recograin rosewood, matte sheen A	+\$0
6EV	walnut on ash, matte sheen A	+\$0
EV	walnut on ash, matte sheen A	+\$0
GOU	walnut, matte sheen A	+\$0

For walnut (W)

962	toasted walnut, low sheen A	+\$0
963	charred walnut, low sheen A	+\$0
964	bronzed walnut, low sheen A	+\$0
965	smoked walnut, low sheen A	+\$0
966	coffee walnut, low sheen A	+\$0
967	smoked paldao, low sheen A	+\$0
969	warm paldao, low sheen A	+\$0
972	sundance walnut, low sheen A	+\$0
96G	recograin wenge, low sheen A	+\$0
98R	recograin rosewood, low sheen A	+\$0
99G	recograin wenge, low sheen A	+\$0
99R	recograin rosewood, low sheen A	+\$0
EK	medium red walnut, low sheen A	+\$0
G2U	light brown walnut, low sheen A	+\$0
G40	dark brown walnut, low sheen A	+\$0

Reframe High-Back Lounge Chair

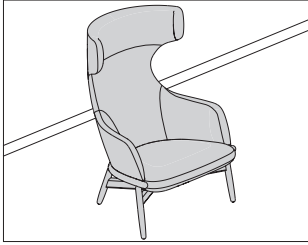
continued

HermanMiller Collection—Lounge Seating

Step 4. Fabric	
Price Category 4	+\$279
Price Category (Geiger) COM <input type="checkbox"/>	+\$0
Price Category (Geiger) COL <input type="checkbox"/>	+\$270
Price Category 1	+\$0
Price Category 2	+\$183
Price Category (Geiger) 3	+\$229
Price Category (Geiger) 4	+\$279
Price Category (Geiger) 5	+\$406
Price Category 5	+\$406
Price Category (Geiger) 7	+\$662
Price Category (Geiger) 8	+\$1013
Price Category 9	+\$1256
Price Category 11	+\$1620
Price Category (Geiger) 14	+\$2121
Price Category (Geiger) C	+\$205
Price Category (Geiger) G	+\$538
Price Category (Geiger) H	+\$669
Step 5. Fire Retardancy	
NOCAL no cal-133 required <input type="checkbox"/>	+\$0

Reframe Wing-Back Lounge Chair

SJCA
SJCW



Product Information

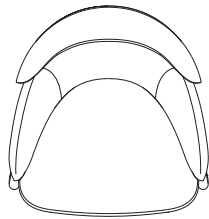
Description

This chair has a solid wood frame. Seat and back are composed of rigid and flexible polyurethane foam.

Notes

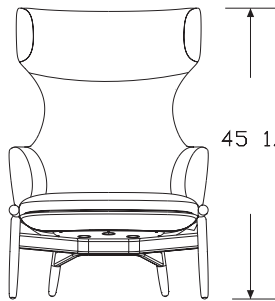
Customer's Own Material (COM) requires 4 1/4 yards. Customer's Own Leather (COL) requires 81 square feet.

Dimensions



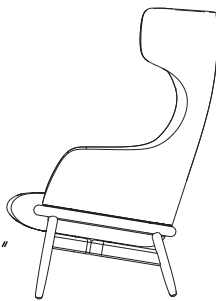
31 1/4"

33 1/2"



45 1/4"

16 5/8"



Specification Information

Step 1.

SJC

Step 2. Wood Species

A ash

W walnut

Prices for Steps 1-2.

SJCA \$3040

SJCW \$3542

Step 3. Wood Finish

For ash (A)

662	toasted walnut, matte sheen <input type="checkbox"/>	+\$0
663	charred walnut, matte sheen <input type="checkbox"/>	+\$0
664	bronzed walnut, matte sheen <input type="checkbox"/>	+\$0
665	smoked walnut, matte sheen <input type="checkbox"/>	+\$0
666	coffee walnut, matte sheen <input type="checkbox"/>	+\$0
667	smoked paldao, matte sheen <input type="checkbox"/>	+\$0
669	warm paldao, matte sheen <input type="checkbox"/>	+\$0
66A	recograin frosty ash, matte sheen <input type="checkbox"/>	+\$0
66G	recograin wenge, matte sheen <input type="checkbox"/>	+\$0
66W	recograin walnut, matte sheen <input type="checkbox"/>	+\$0
677	chocolate ash, matte sheen <input type="checkbox"/>	+\$0
68R	recograin rosewood, matte sheen <input type="checkbox"/>	+\$0
68W	recograin walnut, matte sheen <input type="checkbox"/>	+\$0
69A	recograin frosty ash, matte sheen <input type="checkbox"/>	+\$0
69G	recograin wenge, matte sheen <input type="checkbox"/>	+\$0
69R	recograin rosewood, matte sheen <input type="checkbox"/>	+\$0
69T	recograin teak, matte sheen <input type="checkbox"/>	+\$0
69W	recograin walnut, matte sheen <input type="checkbox"/>	+\$0
6A1	white ash, matte sheen <input type="checkbox"/>	+\$0
6A2	platinum ash, matte sheen <input type="checkbox"/>	+\$0
6ET	clear on ash, matte sheen <input type="checkbox"/>	+\$0
6EU	clear on oak, matte sheen <input type="checkbox"/>	+\$0
6EV	walnut on ash, matte sheen <input type="checkbox"/>	+\$0
6K1	rift oak, matte sheen <input type="checkbox"/>	+\$0
6K6	burnt oak, matte sheen <input type="checkbox"/>	+\$0
ET	clear on ash, matte sheen <input type="checkbox"/>	+\$0
EU	oak on ash, matte sheen <input type="checkbox"/>	+\$0
EV	walnut on ash, matte sheen <input type="checkbox"/>	+\$0
GOU	walnut, matte sheen <input type="checkbox"/>	+\$0

Reframe Wing-Back Lounge Chair

continued

For ash (A)

940	sundance cherry on maple, low sheen <input type="checkbox"/>	+\$0
943	caramel cherry, low sheen <input type="checkbox"/>	+\$0
946	cocoa cherry, low sheen <input type="checkbox"/>	+\$0
956	cocoa sapele, low sheen <input type="checkbox"/>	+\$0
962	toasted walnut, low sheen <input type="checkbox"/>	+\$0
963	charred walnut, low sheen <input type="checkbox"/>	+\$0
964	bronzed walnut, low sheen <input type="checkbox"/>	+\$0
965	smoked walnut, low sheen <input type="checkbox"/>	+\$0
966	coffee walnut, low sheen <input type="checkbox"/>	+\$0
967	smoked paldao, low sheen <input type="checkbox"/>	+\$0
969	warm paldao, low sheen <input type="checkbox"/>	+\$0
96A	recograin frosty ash, low sheen <input type="checkbox"/>	+\$0
96G	recograin wenge, low sheen <input type="checkbox"/>	+\$0
96W	recograin walnut, low sheen <input type="checkbox"/>	+\$0
977	chocolate ash, low sheen <input type="checkbox"/>	+\$0
98R	recograin rosewood, low sheen <input type="checkbox"/>	+\$0
98W	recograin walnut, low sheen <input type="checkbox"/>	+\$0
991	champagne ash, low sheen <input type="checkbox"/>	+\$0
998	ebony ash, low sheen <input type="checkbox"/>	+\$0
99A	recograin frosty ash, low sheen <input type="checkbox"/>	+\$0
99G	recograin wenge, low sheen <input type="checkbox"/>	+\$0
99R	recograin rosewood, low sheen <input type="checkbox"/>	+\$0
99T	recograin teak, low sheen <input type="checkbox"/>	+\$0
99W	recograin walnut, low sheen <input type="checkbox"/>	+\$0
9A1	white ash, quarter cut, low sheen <input type="checkbox"/>	+\$0
9K1	rift oak, low sheen <input type="checkbox"/>	+\$0
9K6	burnt oak, low sheen <input type="checkbox"/>	+\$0
ED	aged cherry, low sheen <input type="checkbox"/>	+\$0
EK	medium red walnut, low sheen <input type="checkbox"/>	+\$0
G2U	light brown walnut, low sheen <input type="checkbox"/>	+\$0
G40	dark brown walnut, low sheen <input type="checkbox"/>	+\$0
UX	walnut on cherry, low sheen <input type="checkbox"/>	+\$0

For walnut (W)

662	toasted walnut, matte sheen <input type="checkbox"/>	+\$0
663	charred walnut, matte sheen <input type="checkbox"/>	+\$0
664	bronzed walnut, matte sheen <input type="checkbox"/>	+\$0
665	smoked walnut, matte sheen <input type="checkbox"/>	+\$0
666	coffee walnut, matte sheen <input type="checkbox"/>	+\$0
667	smoked paldao, matte sheen <input type="checkbox"/>	+\$0
669	warm paldao, matte sheen <input type="checkbox"/>	+\$0
66G	recograin wenge, matte sheen <input type="checkbox"/>	+\$0
68R	recograin rosewood, matte sheen <input type="checkbox"/>	+\$0
69G	recograin wenge, matte sheen <input type="checkbox"/>	+\$0
69R	recograin rosewood, matte sheen <input type="checkbox"/>	+\$0
6EV	walnut on ash, matte sheen <input type="checkbox"/>	+\$0
EV	walnut on ash, matte sheen <input type="checkbox"/>	+\$0
GOU	walnut, matte sheen <input type="checkbox"/>	+\$0

For walnut (W)

962	toasted walnut, low sheen <input type="checkbox"/>	+\$0
963	charred walnut, low sheen <input type="checkbox"/>	+\$0
964	bronzed walnut, low sheen <input type="checkbox"/>	+\$0
965	smoked walnut, low sheen <input type="checkbox"/>	+\$0
966	coffee walnut, low sheen <input type="checkbox"/>	+\$0
967	smoked paldao, low sheen <input type="checkbox"/>	+\$0
969	warm paldao, low sheen <input type="checkbox"/>	+\$0
972	sundance walnut, low sheen <input type="checkbox"/>	+\$0
96G	recograin wenge, low sheen <input type="checkbox"/>	+\$0
98R	recograin rosewood, low sheen <input type="checkbox"/>	+\$0
99G	recograin wenge, low sheen <input type="checkbox"/>	+\$0
99R	recograin rosewood, low sheen <input type="checkbox"/>	+\$0
EK	medium red walnut, low sheen <input type="checkbox"/>	+\$0
G2U	light brown walnut, low sheen <input type="checkbox"/>	+\$0
G40	dark brown walnut, low sheen <input type="checkbox"/>	+\$0

Step 4. Fabric

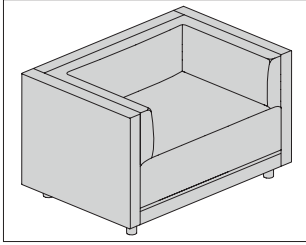
Price Category 4	+\$320
Price Category 5	+\$461
Price Category (Geiger) 5	+\$461
Price Category (Geiger) 7	+\$749
Price Category (Geiger) G	+\$609
Price Category (Geiger) H	+\$759
Price Category (Geiger) COM <input type="checkbox"/>	+\$0
Price Category (Geiger) COL <input type="checkbox"/>	+\$306

Step 5. Fire Retardancy

NOCAL no cal-133 required <input type="checkbox"/>	+\$0
---	------

Rolled Arm Club Chair

SBRA-



Product Information

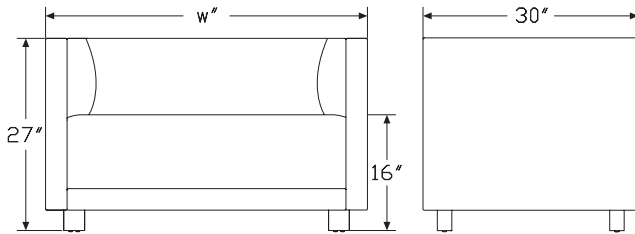
Description

This 43" wide chair is made of plywood with Dacron® on the seat and back. The arms consist of Dacron and polyfoam. The legs are solid ash or walnut.

Notes

Customers Own Material (COM) requires 6 yards. Customers Own Leather (COL) requires 108 square feet. See Order Information in Appendices.

Dimensions



Specification Information

Step 1.

SBRA-43 A \$3385

Step 2. Wood Finish

Premium Veneer - Low Sheen

940	sundance cherry on maple <input type="checkbox"/> A	+\$0
943	caramel cherry <input type="checkbox"/> A	+\$0
946	cocoa cherry <input type="checkbox"/> A	+\$0
962	toasted walnut, low sheen <input type="checkbox"/> A	+\$0
963	charred walnut, low sheen <input type="checkbox"/> A	+\$0
964	bronzed walnut, low sheen <input type="checkbox"/> A	+\$0
965	smoked walnut, low sheen <input type="checkbox"/> A	+\$0
966	coffee walnut, low sheen <input type="checkbox"/> A	+\$0
977	chocolate ash, low sheen <input type="checkbox"/> A	+\$0
98R	recograin rosewood <input type="checkbox"/> A	+\$0
991	champagne ash <input type="checkbox"/> A	+\$0
998	ebony ash <input type="checkbox"/> A	+\$0
99A	recograin frosty ash <input type="checkbox"/> A	+\$0
99R	recograin rosewood <input type="checkbox"/> A	+\$0
99T	recograin teak <input type="checkbox"/> A	+\$0
9A1	white ash, quarter cut, low sheen <input type="checkbox"/> A	+\$0
9K1	rift oak, rift cut, low sheen <input type="checkbox"/> A	+\$0
9K6	burnt oak, rift cut, low sheen <input type="checkbox"/> A	+\$0
ED	aged cherry <input type="checkbox"/> A	+\$0
EK	medium red walnut <input type="checkbox"/> A	+\$0
UX	walnut on cherry <input type="checkbox"/> A	+\$0

Rolled Arm Club Chair *continued*

Premium Veneer - Matte		
662	toasted walnut, matte sheen <input type="checkbox"/> A	+\$0
663	charred walnut, matte sheen <input type="checkbox"/> A	+\$0
664	bronzed walnut, matte sheen <input type="checkbox"/> A	+\$0
665	smoked walnut, matte sheen <input type="checkbox"/> A	+\$0
666	coffee walnut, matte sheen <input type="checkbox"/> A	+\$0
667	smoked paldao, quarter cut, matte sheen <input type="checkbox"/> A	+\$0
669	warm paldao, quarter cut, matte sheen <input type="checkbox"/> A	+\$0
66A	recograin frosty ash <input type="checkbox"/> A	+\$0
677	chocolate ash, matte sheen <input type="checkbox"/> A	+\$0
68R	recograin rosewood <input type="checkbox"/> A	+\$0
69A	recograin frosty ash <input type="checkbox"/> A	+\$0
69R	recograin rosewood <input type="checkbox"/> A	+\$0
69T	recograin teak <input type="checkbox"/> A	+\$0
6A1	white ash <input type="checkbox"/> A	+\$0
6K1	rift oak <input type="checkbox"/> A	+\$0
6K6	burnt oak <input type="checkbox"/> A	+\$0
ET	clear on ash <input type="checkbox"/> A	+\$0
EU	oak on ash <input type="checkbox"/> A	+\$0
EV	walnut on ash <input type="checkbox"/> A	+\$0
GOU	natural walnut, flat cut, matte sheen <input type="checkbox"/> A	+\$0

RecoGrain Veneer		
66G	recograin wenge <input type="checkbox"/> A	+\$0
68W	recograin walnut, flat cut, matte sheen <input type="checkbox"/> A	+\$0
69G	recograin wenge <input type="checkbox"/> A	+\$0
69W	recograin walnut, quarter cut, matte sheen <input type="checkbox"/> A	+\$0

Recon Veneer -		
96G	wenge recograin, quarter cut, low sheen <input type="checkbox"/> A	+\$0
98W	recograin walnut, flat cut, low sheen <input type="checkbox"/> A	+\$0
99G	recograin wenge, quarter cut, low sheen <input type="checkbox"/> A	+\$0
99W	recograin walnut, quarter cut, low sheen <input type="checkbox"/> A	+\$0

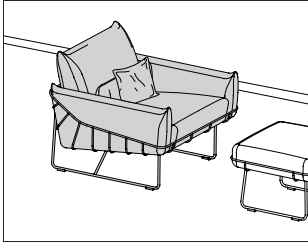
Step 3. Upholstery		
Price Category (Geiger) COM <input type="checkbox"/> A		+\$0
Price Category (Geiger) COL <input type="checkbox"/> A		+\$432
Price Category 1		+\$0
Price Category (Geiger) 2		+\$0
Price Category 2		+\$291
Price Category (Geiger) 3		+\$365
Price Category 3		+\$365
Price Category (Geiger) 4		+\$445
Price Category 4		+\$594
Price Category (Geiger) 5		+\$649
Price Category 5		+\$649
Price Category (Geiger) 6		+\$853

Price Category (Geiger) 7	+\$1057
Price Category (Geiger) 8	+\$1620
Price Category (Geiger) 9	+\$2009
Price Category 9	+\$2009
Price Category (Geiger) 10	+\$2312
Price Category (Geiger) 11	+\$2590
Price Category (Geiger) 14	+\$3393
Price Category (Geiger) C	+\$328
Price Category (Geiger) D	+\$433
Price Category (Geiger) E	+\$526
Price Category (Geiger) F	+\$631
Price Category (Geiger) G	+\$860
Price Category (Geiger) H	+\$1070
Price Category (Geiger) I	+\$1292
Price Category (Geiger) J	+\$1515
Price Category (Geiger) K	+\$1737
Price Category (Geiger) L	+\$1960
Price Category (Geiger) N	+\$2405
Price Category (Geiger) P	+\$2843
Price Category (Geiger) Q	+\$3282
Price Category (Geiger) U	+\$5593
Price Category (Geiger) X	+\$6613

Step 4. Fire Retardancy		
NOCAL no cal-133 required <input type="checkbox"/> A		+\$0

Wireframe™ Chair

BK110



Product Information

Description

This chair has contoured cushions on a separate wire frame structure, featuring SuperSeat™ technology. Lumbar and throw pillows included.

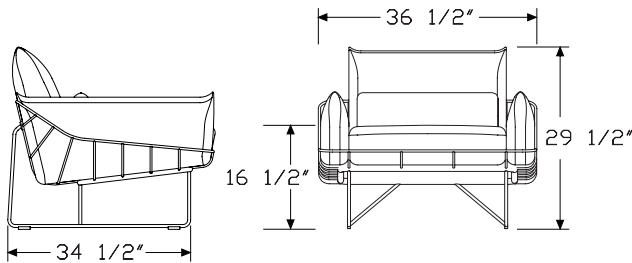
Notes

Fire retardant chair meets CAL 133 requirements.

COM/COL requires 7 yards/126 square feet per chair.

Lumbar and throw pillows are shipped in same material specified for chair cushions.

Dimensions



Specification Information

Step 1.

BK11000 A \$4209

Step 2. Frame Finish

91 white A +\$0

BK black A +\$0

Step 3. Fabric

Price Category 1 +\$0

Price Category 2 +\$129

Price Category 3 +\$186

Price Category (Geiger) 3 +\$186

Price Category 4 +\$309

Price Category (Geiger) 4 +\$309

Price Category 5 +\$464

Price Category (Geiger) 5 +\$464

Price Category 6 +\$618

Price Category (Geiger) 6 +\$618

Price Category 7 +\$824

Price Category (Geiger) 7 +\$824

Price Category 8 +\$1648

Price Category (Geiger) 8 +\$1648

Price Category 9 +\$1339

Price Category (Geiger) 9 +\$1339

Price Category 10 +\$1545

Price Category (Geiger) 10 +\$1545

Price Category 11 +\$1751

Price Category (Geiger) 11 +\$1751

Price Category 14 +\$2472

Price Category B +\$197

Price Category C +\$325

Price Category D +\$412

Price Category E +\$497

Price Category F +\$643

Price Category G +\$835

Price Category H +\$1400

Price Category (Geiger) H +\$1046

Price Category I +\$1600

Price Category J +\$1015

Price Category K +\$1193

Price Category L +\$1371

Price Category M +\$1550

Price Category N +\$1728

Price Category O +\$1906

Price Category P +\$2084

Price Category Q +\$2262

Wireframe™ Chair *continued*

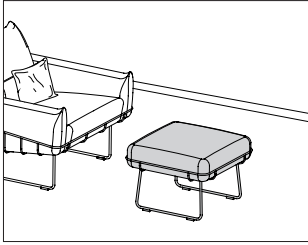
HermanMiller Collection—Lounge Seating

Price Category R	+\$4093
Price Category S	+\$2627
Price Category T	+\$2823
Price Category U	+\$3019
Price Category X	+\$5569
Price Category Y	+\$5864

Step 4. Fire Retardancy	
NOCAL not fire retardant <input type="checkbox"/>	+\$0
133 fire retardant <input type="checkbox"/>	+\$244

Wireframe™ Ottoman

BK104



Product Information

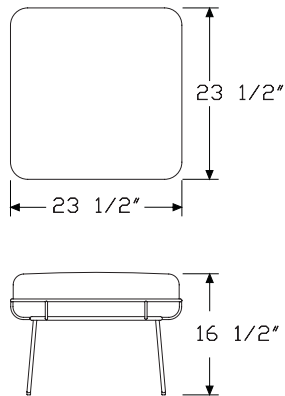
Description

This ottoman has contoured cushions on a separate wire frame structure, featuring SuperSeat™ technology.

Notes

Fire retardant ottoman meets CAL 133 requirements.
COM/COL requires 2½ yards/36 square feet per ottoman.

Dimensions



Specification Information

Step 1.

BK10400 [A] \$2000

Step 2. Frame Finish

91 white [A] +\$0
BK black [A] +\$0

Step 3. Fabric

Price Category 1	+\$0
Price Category 2	+\$62
Price Category (Geiger) 3	+\$83
Price Category 3	+\$83
Price Category (Geiger) 4	+\$114
Price Category 4	+\$114
Price Category (Geiger) 5	+\$155
Price Category 5	+\$155
Price Category (Geiger) 6	+\$196
Price Category 6	+\$196
Price Category (Geiger) 7	+\$258
Price Category 7	+\$258
Price Category 8	+\$1648
Price Category (Geiger) 8	+\$1648
Price Category (Geiger) 9	+\$397
Price Category 9	+\$397
Price Category (Geiger) 10	+\$464
Price Category 10	+\$464
Price Category (Geiger) 11	+\$536
Price Category 11	+\$536
Price Category 14	+\$742
Price Category B	+\$64
Price Category C	+\$107
Price Category D	+\$147
Price Category E	+\$178
Price Category F	+\$230
Price Category G	+\$298
Price Category (Geiger) H	+\$423
Price Category H	+\$363
Price Category I	+\$426
Price Category J	+\$490
Price Category K	+\$553
Price Category L	+\$617
Price Category M	+\$681
Price Category N	+\$744
Price Category O	+\$808
Price Category P	+\$871
Price Category Q	+\$938

HermanMiller Collection—Lounge Seating

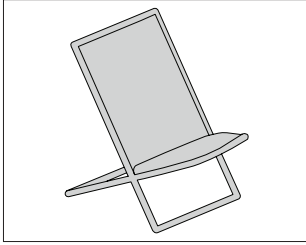
Wireframe™ Ottoman *continued*

Price Category R	+\$1334
Price Category S	+\$1078
Price Category T	+\$1148
Price Category U	+\$1218
Price Category X	+\$1815
Price Category Y	+\$1911

Step 4. Fire Retardancy		
NOCAL	not fire retardant <input type="checkbox"/>	+\$0
133	fire retardant <input type="checkbox"/>	+\$98

Scissor Chair

SBSC-
SBSD-



Product Information

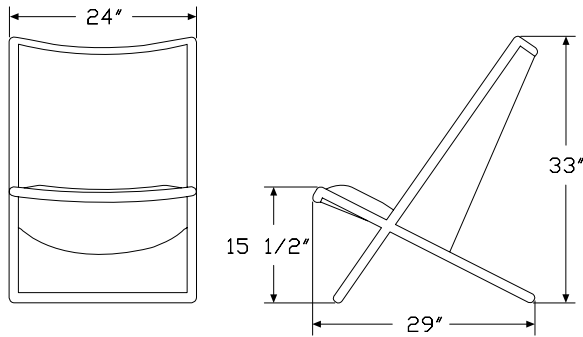
Description

The frame of this chair is solid ash. The seat has foam and Dacron® over plywood.

Notes

Customers Own Material (COM) requires 3½ yards. Customers Own Leather (COL) requires 58 square feet. See Order Information in Appendices.

Dimensions



Specification Information

Step 1.

SBS [A]

Step 2. Frame

C-1098 solid ash [A]

D-1099 welded tubular steel [A]

Prices for Steps 1-2.

SBSC-1098 \$2604

SBSD-1099 \$2908

Step 3. Wood Finish

For solid ash (C-1098)

Premium Veneer - Low Sheen

932	sundance anigre [A]	+\$0
933	caramel anigre [A]	+\$0
934	henna anigre [A]	+\$0
940	sundance cherry on maple [A]	+\$0
943	caramel cherry [A]	+\$0
946	cocoa cherry [A]	+\$0
956	cocoa sapele [A]	+\$0
962	toasted walnut, low sheen [A]	+\$0
963	charred walnut, low sheen [A]	+\$0
964	bronzed walnut, low sheen [A]	+\$0
965	smoked walnut, low sheen [A]	+\$0
966	coffee walnut, low sheen [A]	+\$0
967	smoked paldao, low sheen [A]	+\$0
969	warm paldao, low sheen [A]	+\$0
972	sundance walnut [A]	+\$0
977	chocolate ash, low sheen [A]	+\$0
98R	recograin rosewood [A]	+\$0
991	champagne ash [A]	+\$0
998	ebony ash [A]	+\$0
99A	recograin frosty ash [A]	+\$0
99R	recograin rosewood [A]	+\$0
99T	recograin teak [A]	+\$0
9A1	white ash, quarter cut, low sheen [A]	+\$0
9K1	rift oak, rift cut, low sheen [A]	+\$0
9K6	burnt oak, rift cut, low sheen [A]	+\$0
ED	aged cherry [A]	+\$0
EK	medium red walnut [A]	+\$0
G2U	light brown walnut, low sheen [A]	+\$0
G40	dark brown walnut, low sheen [A]	+\$0
UX	walnut on cherry [A]	+\$0

Premium Veneer - Matte		
662	toasted walnut, matte sheen A	+\$0
663	charred walnut, matte sheen A	+\$0
664	bronzed walnut, matte sheen A	+\$0
665	smoked walnut, matte sheen A	+\$0
666	coffee walnut, matte sheen A	+\$0
667	smoked paldao, quarter cut, matte sheen A	+\$0
669	warm paldao, quarter cut, matte sheen A	+\$0
66A	recograin frosty ash A	+\$0
677	chocolate ash, matte sheen A	+\$0
68R	recograin rosewood A	+\$0
69A	recograin frosty ash A	+\$0
69R	recograin rosewood A	+\$0
69T	recograin teak A	+\$0
6A1	white ash A	+\$0
6K1	rift oak A	+\$0
6K6	burnt oak A	+\$0
ET	clear on ash A	+\$0
EU	oak on ash A	+\$0
EV	walnut on ash A	+\$0
GOU	natural walnut, flat cut, matte sheen A	+\$0

RecoGrain Veneer		
66G	recograin wenge A	+\$0
68W	recograin walnut, flat cut, matte sheen A	+\$0
69G	recograin wenge A	+\$0
69W	recograin walnut, quarter cut, matte sheen A	+\$0

Recon Veneer -		
96G	wenge recograin, quarter cut, low sheen A	+\$0
98W	recograin walnut, flat cut, low sheen A	+\$0
99G	recograin wenge, quarter cut, low sheen A	+\$0
99W	recograin walnut, quarter cut, low sheen A	+\$0

Step 4. Upholstery		
Price Category (Geiger) 1		+\$142
Price Category 1		+\$0
Price Category (Geiger) 2		+\$0
Price Category 2		+\$170
Price Category (Geiger) 3		+\$214
Price Category 3		+\$214
Price Category (Geiger) 4		+\$260
Price Category 4		+\$260
Price Category (Geiger) 5		+\$380
Price Category 5		+\$380
Price Category (Geiger) 6		+\$498
Price Category (Geiger) 7		+\$617

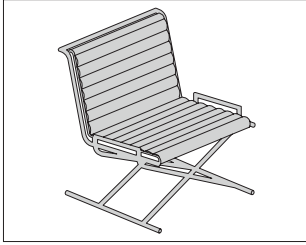
Price Category (Geiger) 8		+\$945
Price Category (Geiger) 9		+\$1173
Price Category 9		+\$1173
Price Category (Geiger) 10		+\$1349
Price Category (Geiger) 11		+\$1512
Price Category (Geiger) 14		+\$1980
Price Category (Geiger) A		+\$199
Price Category (Geiger) B		+\$217
Price Category (Geiger) C		+\$235
Price Category (Geiger) D		+\$271
Price Category (Geiger) E		+\$307
Price Category (Geiger) F		+\$343
Price Category (Geiger) G		+\$380
Price Category (Geiger) H		+\$416
Price Category (Geiger) I		+\$754
Price Category (Geiger) J		+\$469
Price Category (Geiger) K		+\$524
Price Category (Geiger) L		+\$577
Price Category (Geiger) M		+\$649
Price Category (Geiger) N		+\$721
Price Category (Geiger) O		+\$1533
Price Category (Geiger) P		+\$794
Price Category (Geiger) Q		+\$1507
Price Category (Geiger) R		+\$2668
Price Category (Geiger) S		+\$2867
Price Category (Geiger) U		+\$3264
Price Category (Geiger) V		+\$3461
Price Category (Geiger) X		+\$3858
Price Category (Geiger) Y		+\$4057
Price Category (Geiger) COM A		+\$0
Price Category (Geiger) COL A		+\$252

Step 5. Base Finish		
<i>For welded tubular steel (D-1099)</i>		
CHR	chrome A	+\$0
SAC	satin chrome A	+\$0

Step 6. Fire Retardancy		
NOCAL	not fire retardant A	+\$0
133	fire retardant A	+\$228

Sled Chair

SBSU-



Product Information

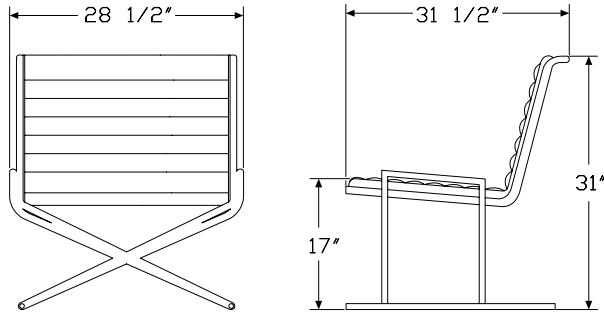
Description

This chair has a welded tubular steel frame. The seat consists of foam and Dacron® over plywood.

Notes

Customers Own Material (COM) requires 3 yards. Customers Own Leather (COL) requires 54 square feet. See Order Information in Appendices.

Dimensions



Specification Information

Step 1.

SBS A

Step 2. Material

U-1060 upholstery A

Prices for Steps 1-2.

SBSU-1060 \$4358

Step 3. Upholstery

Price Category (Geiger) 1	+\$121
Price Category 1	+\$0
Price Category (Geiger) 2	+\$146
Price Category 2	+\$146
Price Category (Geiger) 3	+\$183
Price Category 3	+\$214
Price Category (Geiger) 4	+\$223
Price Category 4	+\$223
Price Category (Geiger) 5	+\$325
Price Category 5	+\$325
Price Category (Geiger) 6	+\$427
Price Category (Geiger) 7	+\$529
Price Category (Geiger) 8	+\$810
Price Category (Geiger) 9	+\$1005
Price Category 9	+\$1005
Price Category (Geiger) 10	+\$1156
Price Category (Geiger) 11	+\$1295
Price Category (Geiger) 14	+\$1697
Price Category (Geiger) A	+\$170
Price Category (Geiger) B	+\$186
Price Category (Geiger) C	+\$201
Price Category (Geiger) D	+\$232
Price Category (Geiger) E	+\$263
Price Category (Geiger) F	+\$294
Price Category (Geiger) G	+\$325
Price Category (Geiger) H	+\$356
Price Category (Geiger) I	+\$646
Price Category (Geiger) J	+\$402
Price Category (Geiger) K	+\$449
Price Category (Geiger) L	+\$495
Price Category (Geiger) M	+\$557
Price Category (Geiger) N	+\$618
Price Category (Geiger) O	+\$1314
Price Category (Geiger) P	+\$680
Price Category (Geiger) Q	+\$1391
Price Category (Geiger) R	+\$2287

Sled Chair *continued*

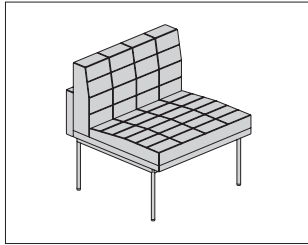
Price Category (Geiger) S	+\$2457
Price Category (Geiger) V	+\$2967
Price Category (Geiger) X	+\$3307
Price Category (Geiger) COM <input type="checkbox"/>	+\$0
Price Category (Geiger) COL <input type="checkbox"/>	+\$216

Step 4. Base Finish	
CHR chrome <input type="checkbox"/>	+\$0
SAC satin chrome <input type="checkbox"/>	+\$0

Step 5. Fire Retardancy	
NOCAL not fire retardant <input type="checkbox"/>	+\$0
133 fire retardant <input type="checkbox"/>	+\$195

Tuxedo Component Lounge™ Club Chair

ST1AN
ST1AQ
ST1NN
ST1NQ



Product Information

Description

This club chair has a foam and Dacron® seat with a painted or plated steel base.

Notes

Customer's Own Material (COM)/Customer's Own Leather (COL) requires the following:

Type—COM—COL

ST1NN—3¾ yards—67½ square feet

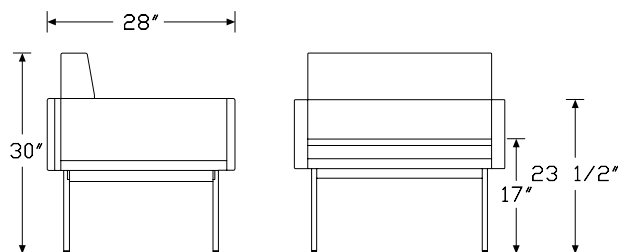
ST1NQ—3¾ yards—67½ square feet

ST1AN—5½ yards—99 square feet

ST1AQ—5½ yards—99 square feet

See Order Information in Appendices for more information.

Dimensions



Specification Information

Step 1.

ST1 **A**

Step 2. Arms

N no arms **A**

A arms **A**

Step 3. Upholstery Type

N not quilted **A**

Q quilted **A**

Prices for Steps 1-3.

ST1NN	\$2295
ST1NQ	\$2468
ST1AN	\$2908
ST1AQ	\$3020

Step 4. Upholstery

For not quilted (N)

	N	A
Price Category (Geiger) 1	+\$151	222
Price Category 1	+\$0	0
Price Category (Geiger) 2	+\$182	267
Price Category 2	+\$182	267
Price Category (Geiger) 3	+\$228	335
Price Category 3	+\$228	335
Price Category (Geiger) 4	+\$279	408
Price Category 4	+\$279	408
Price Category (Geiger) 5	+\$406	596
Price Category 5	+\$406	596
Price Category (Geiger) 6	+\$534	782
Price Category (Geiger) 7	+\$661	970
Price Category (Geiger) 8	+\$1013	1485
Price Category (Geiger) 9	+\$1256	1842
Price Category 9	+\$1842	1842
Price Category (Geiger) 10	+\$1446	2119
Price Category (Geiger) 11	+\$1619	2375
Price Category 14	+\$2121	3111
Price Category (Geiger) A	+\$128	188
Price Category (Geiger) C	+\$205	301
Price Category (Geiger) D	+\$271	397
Price Category (Geiger) E	+\$329	483
Price Category (Geiger) F	+\$395	578
Price Category (Geiger) G	+\$537	788
Price Category (Geiger) H	+\$669	981

Tuxedo Component Lounge™ Club Chair *continued*

HermanMiller Collection—Lounge Seating

Price Category (Geiger) I	+\$808	1185
Price Category (Geiger) J	+\$947	1389
Price Category (Geiger) K	+\$1086	1593
Price Category (Geiger) L	+\$1225	1797
Price Category (Geiger) M	+\$1364	2001
Price Category (Geiger) N	+\$1503	2205
Price Category (Geiger) O	+\$1642	2409
Price Category (Geiger) P	+\$1777	2606
Price Category (Geiger) Q	+\$2051	3009
Price Category (Geiger) R	+\$3284	4193
Price Category (Geiger) S	+\$3071	4505
Price Category (Geiger) V	+\$3708	5439
Price Category (Geiger) X	+\$4134	6062
Price Category (Geiger) Y	+\$4346	6374
Price Category (Geiger) COM A	+\$0	0
Price Category (Geiger) COL A	+\$270	396

For quilted (Q)

	N	A
Price Category (Geiger) 1	+\$151	222
Price Category 1	+\$0	0
Price Category (Geiger) 2	+\$182	267
Price Category 2	+\$182	267
Price Category (Geiger) 3	+\$228	335
Price Category 3	+\$228	335
Price Category (Geiger) 4	+\$279	408
Price Category 4	+\$279	408
Price Category (Geiger) 5	+\$406	596
Price Category 5	+\$406	596
Price Category (Geiger) 6	+\$534	782
Price Category (Geiger) 7	+\$661	970
Price Category (Geiger) 8	+\$1013	1485
Price Category (Geiger) 9	+\$1256	1842
Price Category 9	+\$1842	1842
Price Category (Geiger) 10	+\$1446	2119
Price Category (Geiger) 11	+\$1619	2375
Price Category 14	+\$2121	3111
Price Category (Geiger) A	+\$128	188
Price Category (Geiger) C	+\$205	301
Price Category (Geiger) D	+\$271	397
Price Category (Geiger) E	+\$329	483
Price Category (Geiger) F	+\$395	578
Price Category (Geiger) G	+\$537	788
Price Category (Geiger) H	+\$669	981
Price Category (Geiger) I	+\$808	1185
Price Category (Geiger) J	+\$947	1389
Price Category (Geiger) K	+\$1086	1593

Price Category (Geiger) L	+\$1225	1797
Price Category (Geiger) M	+\$1364	2001
Price Category (Geiger) N	+\$1503	2205
Price Category (Geiger) O	+\$1642	2409
Price Category (Geiger) P	+\$1777	2606
Price Category (Geiger) Q	+\$2051	3009
Price Category (Geiger) R	+\$3284	4193
Price Category (Geiger) S	+\$3071	4505
Price Category (Geiger) V	+\$3708	5439
Price Category (Geiger) COM A	+\$0	0
Price Category (Geiger) COL A	+\$270	396

Step 5. Base Finish

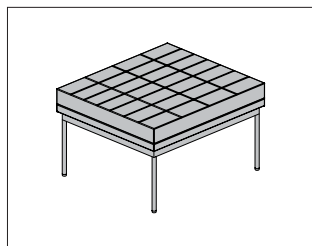
926 black A	+\$0
AS arctic silver A	+\$0
WHT white A	+\$0
CHR chrome A	+\$307
SAC satin chrome A	+\$307

Step 6. Fire Retardancy

	N	A
NOCAL not fire retardant A	+\$0	0
133 fire retardant A	+\$244	358

Tuxedo Component Lounge™
Ottoman

ST1BN
ST1BQ



Product Information

Description

This 17"-high ottoman has a foam and Dacron® seat with a painted or plated steel base.

Notes

Customer's Own Material (COM)/Customer's Own Leather (COL) requires the following:

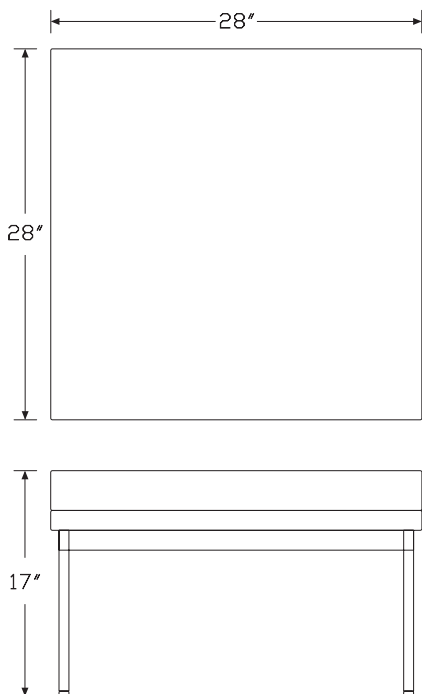
Type—COM—COL

Not quilted—1½ yards—27 square feet

Quilted—1½ yards—27 square feet

See Order Information in Appendices for more information.

Dimensions



Specification Information

Step 1.

ST1B A

Step 2. Upholstery Type

N not quilted A

Q quilted A

Prices for Steps 1-2.

ST1BN	\$1297
ST1BQ	\$1333

Step 3. Upholstery

For quilted (Q)

Price Category (Geiger) 1	+\$21
Price Category 1	+\$0
Price Category (Geiger) 2	+\$74
Price Category 2	+\$74
Price Category (Geiger) 3	+\$92
Price Category 3	+\$92
Price Category (Geiger) 4	+\$112
Price Category 4	+\$112
Price Category (Geiger) 5	+\$163
Price Category 5	+\$163
Price Category (Geiger) 6	+\$214
Price Category (Geiger) 7	+\$265
Price Category (Geiger) 8	+\$405
Price Category (Geiger) 9	+\$503
Price Category 9	+\$503
Price Category (Geiger) 10	+\$578
Price Category (Geiger) 11	+\$648
Price Category (Geiger) 14	+\$849
Price Category (Geiger) A	+\$52
Price Category (Geiger) C	+\$83
Price Category (Geiger) D	+\$109
Price Category (Geiger) E	+\$132
Price Category (Geiger) F	+\$158
Price Category (Geiger) G	+\$216
Price Category (Geiger) H	+\$268
Price Category (Geiger) I	+\$324
Price Category (Geiger) J	+\$380
Price Category (Geiger) K	+\$435
Price Category (Geiger) L	+\$491
Price Category (Geiger) M	+\$546
Price Category (Geiger) N	+\$602
Price Category (Geiger) O	+\$658

Tuxedo Component Lounge™ Ottoman *continued*

Price Category (Geiger) P	+\$711
Price Category (Geiger) Q	+\$821
Price Category (Geiger) R	+\$1144
Price Category (Geiger) S	+\$1229
Price Category (Geiger) V	+\$1484
Price Category (Geiger) COM A	+\$0
Price Category (Geiger) COL A	+\$108

For not quilted (N)

Price Category (Geiger) 1	+\$21
Price Category 1	+\$0
Price Category (Geiger) 2	+\$74
Price Category 2	+\$74
Price Category (Geiger) 3	+\$92
Price Category 3	+\$92
Price Category (Geiger) 4	+\$112
Price Category 4	+\$112
Price Category (Geiger) 5	+\$163
Price Category 5	+\$163
Price Category (Geiger) 6	+\$214
Price Category (Geiger) 7	+\$265
Price Category (Geiger) 8	+\$405
Price Category (Geiger) 9	+\$503
Price Category 9	+\$503
Price Category (Geiger) 10	+\$578
Price Category (Geiger) 11	+\$648
Price Category (Geiger) 14	+\$849
Price Category (Geiger) A	+\$52
Price Category (Geiger) C	+\$83
Price Category (Geiger) D	+\$109
Price Category (Geiger) E	+\$132
Price Category (Geiger) F	+\$158
Price Category (Geiger) G	+\$216
Price Category (Geiger) H	+\$268
Price Category (Geiger) I	+\$324
Price Category (Geiger) J	+\$380
Price Category (Geiger) K	+\$435
Price Category (Geiger) L	+\$491
Price Category (Geiger) M	+\$546
Price Category (Geiger) N	+\$602
Price Category (Geiger) O	+\$658
Price Category (Geiger) P	+\$711
Price Category (Geiger) Q	+\$821
Price Category (Geiger) R	+\$1144
Price Category (Geiger) S	+\$1229
Price Category (Geiger) V	+\$1484
Price Category (Geiger) X	+\$1654

Price Category (Geiger) Y	+\$1739
Price Category (Geiger) COM A	+\$0
Price Category (Geiger) COL A	+\$108

Step 4. Base Finish

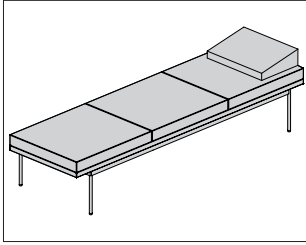
926 black A	+\$0
AS arctic silver A	+\$0
WHT white A	+\$0
CHR chrome A	+\$307
SAC satin chrome A	+\$307

Step 5. Fire Retardancy

NOCAL not fire retardant A	+\$0
133 fire retardant A	+\$98

Tuxedo Component Lounge™
Daybed

ST3DN
ST3DQ



Product Information

Description

This 17"-high daybed has a foam and Dacron® seat with a painted or plated steel base.

Notes

Customer's Own Material (COM)/Customer's Own Leather (COL) requires the following:

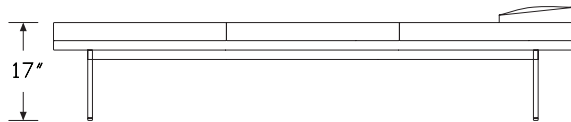
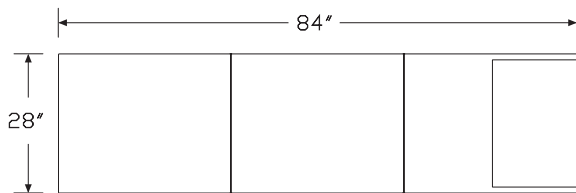
Type—COM—COL

Not quilted—6½ yards—117 square feet

Quilted—6½ yards—117 square feet

See Order Information in Appendices for more information.

Dimensions



Specification Information

Step 1.

ST3D A

Step 2. Upholstery Type

N not quilted A

Q quilted A

Prices for Steps 1-2.

ST3DN	\$3258
ST3DQ	\$3324

Step 3. Upholstery

For quilted (Q)

Price Category (Geiger) 1	+\$262
Price Category 1	+\$0
Price Category (Geiger) 2	+\$316
Price Category 2	+\$316
Price Category (Geiger) 3	+\$396
Price Category 3	+\$396
Price Category (Geiger) 4	+\$483
Price Category 4	+\$483
Price Category (Geiger) 5	+\$704
Price Category 5	+\$704
Price Category (Geiger) 6	+\$924
Price Category (Geiger) 7	+\$1146
Price Category (Geiger) 8	+\$1755
Price Category (Geiger) 9	+\$2177
Price Category 9	+\$2177
Price Category (Geiger) 10	+\$2504
Price Category (Geiger) 11	+\$2806
Price Category (Geiger) 14	+\$3677
Price Category (Geiger) A	+\$222
Price Category (Geiger) C	+\$356
Price Category (Geiger) D	+\$469
Price Category (Geiger) E	+\$570
Price Category (Geiger) F	+\$683
Price Category (Geiger) G	+\$932
Price Category (Geiger) H	+\$1159
Price Category (Geiger) I	+\$1400
Price Category (Geiger) J	+\$1641
Price Category (Geiger) K	+\$1882
Price Category (Geiger) L	+\$2123
Price Category (Geiger) M	+\$2364
Price Category (Geiger) N	+\$2605
Price Category (Geiger) O	+\$2846

Tuxedo Component Lounge™

Daybed *continued*

Price Category (Geiger) P	+\$3080
Price Category (Geiger) Q	+\$3556
Price Category (Geiger) R	+\$4955
Price Category (Geiger) S	+\$5324
Price Category (Geiger) V	+\$6428
Price Category (Geiger) COM <input type="checkbox"/>	+\$0
Price Category (Geiger) COL <input type="checkbox"/>	+\$468

For not quilted (N)

Price Category (Geiger) 1	+\$262
Price Category 1	+\$0
Price Category (Geiger) 2	+\$316
Price Category 2	+\$316
Price Category (Geiger) 3	+\$396
Price Category 3	+\$396
Price Category (Geiger) 4	+\$483
Price Category 4	+\$483
Price Category (Geiger) 5	+\$704
Price Category 5	+\$704
Price Category (Geiger) 6	+\$924
Price Category (Geiger) 7	+\$1146
Price Category (Geiger) 8	+\$1755
Price Category (Geiger) 9	+\$2177
Price Category 9	+\$2177
Price Category (Geiger) 10	+\$2504
Price Category (Geiger) 11	+\$2806
Price Category (Geiger) 14	+\$3677
Price Category (Geiger) A	+\$222
Price Category (Geiger) C	+\$356
Price Category (Geiger) D	+\$469
Price Category (Geiger) E	+\$570
Price Category (Geiger) F	+\$683
Price Category (Geiger) G	+\$932
Price Category (Geiger) H	+\$1159
Price Category (Geiger) I	+\$1400
Price Category (Geiger) J	+\$1641
Price Category (Geiger) K	+\$1882
Price Category (Geiger) L	+\$2123
Price Category (Geiger) M	+\$2364
Price Category (Geiger) N	+\$2605
Price Category (Geiger) O	+\$2846
Price Category (Geiger) P	+\$3080
Price Category (Geiger) Q	+\$3556
Price Category (Geiger) R	+\$4955
Price Category (Geiger) S	+\$5324
Price Category (Geiger) V	+\$6428
Price Category (Geiger) X	+\$7164

Price Category (Geiger) Y	+\$7533
Price Category (Geiger) COM <input type="checkbox"/>	+\$0
Price Category (Geiger) COL <input type="checkbox"/>	+\$468

Step 4. Base Finish

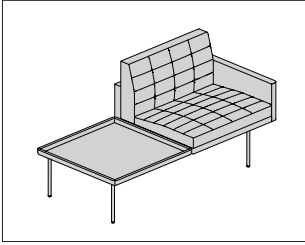
926 black <input type="checkbox"/>	+\$0
AS arctic silver <input type="checkbox"/>	+\$0
WHT white <input type="checkbox"/>	+\$0
CHR chrome <input type="checkbox"/>	+\$671
SAC satin chrome <input type="checkbox"/>	+\$671

Step 5. Fire Retardancy

NOCAL not fire retardant <input type="checkbox"/>	+\$0
133 fire retardant <input type="checkbox"/>	+\$358

Tuxedo Component Lounge with Table - One Seat

SX1AL
SX1AR
SX1NL
SX1NR



Product Information

Description

This 1-seat lounge with table has a steel plated metal base with cushions made of polyfoam and DACRON®. Cushions are quilted or not quilted. The unit is available with an arm on 1 side, or without arms, and with the table on either the left or right side. Table top is solid wood 1½" thick. Fire retardant lounge meets CAL 133 requirements.

Notes

Handedness is determined from a seated position.

Customer's Own Material (COM)/Customer's Own Leather (COL) requires the following:

Type—COM—COL

SX1ALN—4¾ yards—85½ square feet

SX1ALQ—4¾ yards—85½ square feet

SX1ARN—4¾ yards—85½ square feet

SX1ARQ—4¾ yards—85½ square feet

SX1NLN—3¾ yards—67½ square feet

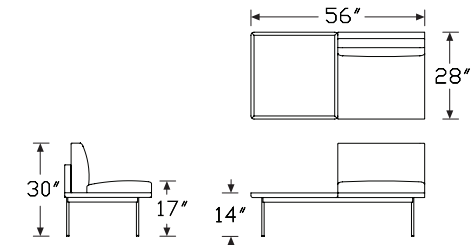
SX1NLQ—3¾ yards—67½ square feet

SX1NRN—3¾ yards—67½ square feet

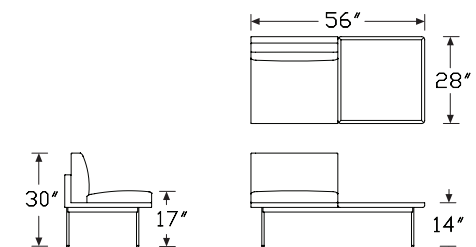
SX1NRQ—3¾ yards—67½ square feet

See Order Information in Appendices for more information.

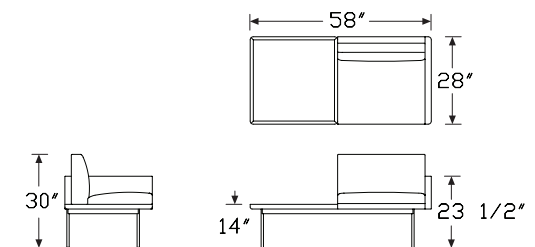
Dimensions



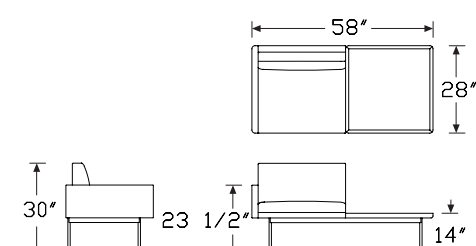
Tuxedo 1 Seat Armless, Table Right



Tuxedo 1 Seat Armless, Table Left



Tuxedo 1 Seat Arm, Table Right



Tuxedo 1 Seat Arm, Table Left

Tuxedo Component Lounge with Table - One Seat *continued*

Specification Information		
Step 1.		
SX1	<input type="checkbox"/> A	
Step 2. Arms		
A	arm 1 side	<input type="checkbox"/> A
N	no arms	<input type="checkbox"/> A
Step 3. Handing		
L	seating left, table right	<input type="checkbox"/> A
R	seating right, table left	<input type="checkbox"/> A
Step 4. Upholstery Type		
N	not quilted	<input type="checkbox"/> A
Q	quilted	<input type="checkbox"/> A
Prices for Steps 1-4.		
SX1AL	N	\$3745
	Q	\$3876
SX1AR	N	\$3745
	Q	\$3876
SX1NL	N	\$3415
	Q	\$3552
SX1NR	N	\$3415
	Q	\$3552
Step 5. Wood Finish		
Matte Finishes		
662	toasted walnut, matte sheen	<input type="checkbox"/> A +\$0
663	charred walnut, matte sheen	<input type="checkbox"/> A +\$0
664	bronzed walnut, matte sheen	<input type="checkbox"/> A +\$0
665	smoked walnut, matte sheen	<input type="checkbox"/> A +\$0
666	coffee walnut, matte sheen	<input type="checkbox"/> A +\$0
667	smoked paldao, quarter cut, matte sheen	<input type="checkbox"/> A +\$0
669	warm paldao, quarter cut, matte sheen	<input type="checkbox"/> A +\$0
66A	recograin frosty ash	<input type="checkbox"/> A +\$0
677	chocolate ash, matte sheen	<input type="checkbox"/> A +\$0
68R	recograin rosewood	<input type="checkbox"/> A +\$0
69A	recograin frosty ash	<input type="checkbox"/> A +\$0
69R	recograin rosewood	<input type="checkbox"/> A +\$0
69T	recograin teak	<input type="checkbox"/> A +\$0
6K1	rift oak	<input type="checkbox"/> A +\$0
ET	clear on ash	<input type="checkbox"/> A +\$0

EU	oak on ash	<input type="checkbox"/> A +\$0
EV	walnut on ash	<input type="checkbox"/> A +\$0
GOU	natural walnut, flat cut, matte sheen	<input type="checkbox"/> A +\$0
6A1	white ash	<input type="checkbox"/> A +\$0
6K6	burnt oak	<input type="checkbox"/> A +\$0
932	sundance anigre	<input type="checkbox"/> A +\$0
933	caramel anigre	<input type="checkbox"/> A +\$0
934	henna anigre	<input type="checkbox"/> A +\$0
940	sundance cherry on maple	<input type="checkbox"/> A +\$0
962	toasted walnut, low sheen	<input type="checkbox"/> A +\$0
963	charred walnut, low sheen	<input type="checkbox"/> A +\$0
964	bronzed walnut, low sheen	<input type="checkbox"/> A +\$0
965	smoked walnut, low sheen	<input type="checkbox"/> A +\$0
966	coffee walnut, low sheen	<input type="checkbox"/> A +\$0
967	smoked paldao, low sheen	<input type="checkbox"/> A +\$0
969	warm paldao, low sheen	<input type="checkbox"/> A +\$0
972	sundance walnut	<input type="checkbox"/> A +\$0
977	chocolate ash, low sheen	<input type="checkbox"/> A +\$0
98R	recograin rosewood	<input type="checkbox"/> A +\$0
991	champagne ash	<input type="checkbox"/> A +\$0
99A	recograin frosty ash	<input type="checkbox"/> A +\$0
99R	recograin rosewood	<input type="checkbox"/> A +\$0
99T	recograin teak	<input type="checkbox"/> A +\$0
9A1	white ash, quarter cut, low sheen	<input type="checkbox"/> A +\$0
9K1	rift oak, rift cut, low sheen	<input type="checkbox"/> A +\$0
9K6	burnt oak, rift cut, low sheen	<input type="checkbox"/> A +\$0
G2U	light brown walnut, low sheen	<input type="checkbox"/> A +\$0
G40	dark brown walnut, low sheen	<input type="checkbox"/> A +\$0
UX	walnut on cherry	<input type="checkbox"/> A +\$0
943	caramel cherry	<input type="checkbox"/> A +\$0
946	cocoa cherry	<input type="checkbox"/> A +\$0
956	cocoa sapele	<input type="checkbox"/> A +\$0
998	ebony ash	<input type="checkbox"/> A +\$0
ED	aged cherry	<input type="checkbox"/> A +\$0
EK	medium red walnut	<input type="checkbox"/> A +\$0

RecoGrain Veneer		
66G	recograin wenge	<input type="checkbox"/> A +\$0
68W	recograin walnut, flat cut, matte sheen	<input type="checkbox"/> A +\$0
69G	recograin wenge	<input type="checkbox"/> A +\$0
69W	recograin walnut, quarter cut, matte sheen	<input type="checkbox"/> A +\$0

Recon Veneer -		
96G	wenge recograin, quarter cut, low sheen	<input type="checkbox"/> A +\$0
98W	recograin walnut, flat cut, low sheen	<input type="checkbox"/> A +\$0
99G	recograin wenge, quarter cut, low sheen	<input type="checkbox"/> A +\$0
99W	recograin walnut, quarter cut, low sheen	<input type="checkbox"/> A +\$0

Tuxedo Component Lounge with Table - One Seat *continued*

Step 6. Fabric

For arm 1 side (A) with not quilted (N)

Price Category (Geiger) G	+\$0
Price Category (Geiger) COM A	+\$0
Price Category (Geiger) COL A	+\$342
Price Category 1	+\$0
Price Category (Geiger) 2	+\$0
Price Category 2	+\$230
Price Category (Geiger) 3	+\$289
Price Category 3	+\$289
Price Category (Geiger) 4	+\$353
Price Category 4	+\$353
Price Category (Geiger) 5	+\$514
Price Category 5	+\$514
Price Category (Geiger) 6	+\$676
Price Category (Geiger) 7	+\$837
Price Category (Geiger) 8	+\$1283
Price Category (Geiger) 9	+\$1591
Price Category 9	+\$1591
Price Category (Geiger) 10	+\$1831
Price Category 11	+\$2050
Price Category 14	+\$0
Price Category (Geiger) D	+\$343
Price Category (Geiger) E	+\$417
Price Category (Geiger) F	+\$500
Price Category (Geiger) H	+\$847
Price Category (Geiger) I	+\$1023
Price Category (Geiger) K	+\$1376
Price Category (Geiger) L	+\$1552
Price Category (Geiger) M	+\$1728
Price Category (Geiger) R	+\$3621

For quilted (Q)

	A	N
Price Category (Geiger) COM A	+\$0	0
Price Category (Geiger) COL A	+\$342	270
Price Category 1	+\$0	0
Price Category (Geiger) 2	+\$0	0
Price Category 2	+\$230	182
Price Category (Geiger) 3	+\$289	228
Price Category 3	+\$289	228
Price Category (Geiger) 4	+\$353	279
Price Category 4	+\$353	382
Price Category (Geiger) 5	+\$514	406
Price Category 5	+\$514	406
Price Category (Geiger) 6	+\$676	534
Price Category (Geiger) 7	+\$837	661
Price Category (Geiger) 8	+\$1283	1013
Price Category 9	+\$1591	1256
Price Category (Geiger) 10	+\$1831	1446
Price Category 11	+\$2050	1619
Price Category 14	+\$0	0
Price Category (Geiger) D	+\$343	271
Price Category (Geiger) F	+\$500	395
Price Category (Geiger) G	+\$0	0
Price Category (Geiger) H	+\$847	669
Price Category (Geiger) I	+\$1023	808
Price Category (Geiger) K	+\$1376	1086
Price Category (Geiger) L	+\$1552	1225
Price Category (Geiger) M	+\$1728	1364
Price Category (Geiger) R	+\$3621	2859

Tuxedo Component Lounge with
Table - One Seat *continued*

For no arms (N) with not quilted (N)

Price Category (Geiger) COM <input type="checkbox"/> A	+\$0
Price Category (Geiger) COL <input type="checkbox"/> A	+\$270
Price Category 1	+\$0
Price Category (Geiger) 2	+\$0
Price Category 2	+\$182
Price Category (Geiger) 3	+\$228
Price Category 3	+\$228
Price Category (Geiger) 4	+\$279
Price Category 4	+\$382
Price Category (Geiger) 5	+\$406
Price Category 5	+\$406
Price Category (Geiger) 6	+\$534
Price Category (Geiger) 7	+\$661
Price Category (Geiger) 8	+\$1013
Price Category (Geiger) 9	+\$1256
Price Category 9	+\$1256
Price Category (Geiger) 10	+\$1446
Price Category 11	+\$1619
Price Category 14	+\$0
Price Category (Geiger) D	+\$271
Price Category (Geiger) E	+\$329
Price Category (Geiger) F	+\$395
Price Category (Geiger) G	+\$0
Price Category (Geiger) H	+\$669
Price Category (Geiger) I	+\$808
Price Category (Geiger) K	+\$1086
Price Category (Geiger) L	+\$1225
Price Category (Geiger) M	+\$1364
Price Category (Geiger) R	+\$2859

Step 7. Base Finish

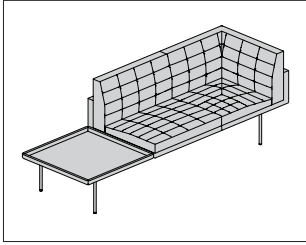
926 black <input type="checkbox"/> A	+\$0
AS arctic silver <input type="checkbox"/> A	+\$0
WHT white <input type="checkbox"/> A	+\$0
CHR chrome <input type="checkbox"/> A	+\$671
SAC satin chrome <input type="checkbox"/> A	+\$671

Step 8. Fire Retardancy

NOCAL no cal-133 required <input type="checkbox"/> A	+\$0
---	------

Tuxedo Component Lounge with Table - Two Seats

SX2AL
 SX2AR
 SX2CL
 SX2CR
 SX2NL
 SX2NR



Product Information

Description

This 2-seat lounge with table has a steel plated metal base with cushions made of polyfoam and DACRON®. Cushions are quilted or not quilted. The unit is available with a corner on 1 side, an arm on 1 side, or without arms, and with the table on either the left or right side. Table top is solid wood 1½" thick. Fire retardant lounge meets CAL 133 requirements.

Notes

Handedness is determined from a seated position.

Customer's Own Material (COM)/Customer's Own Leather (COL) requires the following:

Type—COM—COL

SX2ALN—8½ yards—153 square feet

SX2ALQ—8½ yards—153 square feet

SX2ARN—8½ yards—153 square feet

SX2ARQ—8½ yards—153 square feet

SX2CLN—9¼ yards—166½ square feet

SX2CLQ—9¼ yards—166½ square feet

SX2CRN—9¼ yards—166½ square feet

SX2CRQ—9¼ yards—166½ square feet

SX2NLN—7½ yards—135 square feet

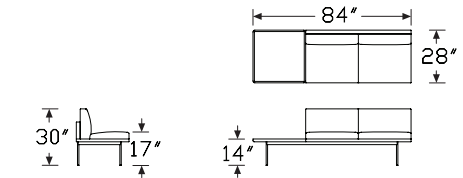
SX2NLQ—7½ yards—135 square feet

SX2NRN—7½ yards—135 square feet

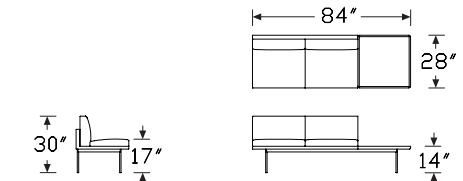
SX2NRQ—7½ yards—135 square feet

See Order Information in Appendices for more information.

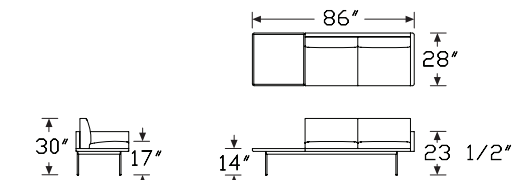
Dimensions



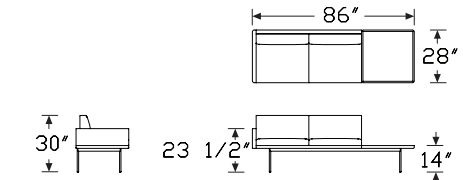
Tuxedo 2 Seats Armless, Table Right



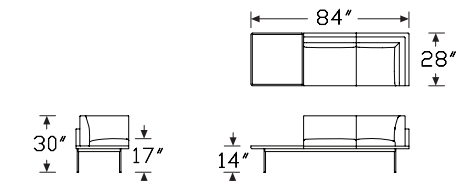
Tuxedo 2 Seats Armless, Table Left



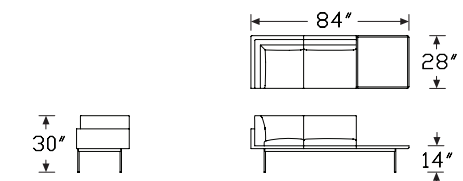
Tuxedo 2 Seats Arm Left, Table Right



Tuxedo 2 Seats Arm Right, Table Left



Tuxedo Settee Corner Left, Table Right



Tuxedo Settee Corner Right, Table Left

Tuxedo Component Lounge with Table - Two Seats *continued*

Specification Information		
Step 1.		
SX2	<input type="checkbox"/>	
Step 2. Arms		
A	arm 1 side	<input type="checkbox"/>
C	corner 1 side	<input type="checkbox"/>
N	no arms	<input type="checkbox"/>
Step 3. Handing		
L	seating left, table right	<input type="checkbox"/>
R	seating right, table left	<input type="checkbox"/>
Step 4. Upholstery Type		
N	not quilted	<input type="checkbox"/>
Q	quilted	<input type="checkbox"/>
Prices for Steps 1-4.		
SX2AL	N	\$4874
	Q	\$5148
SX2AR	N	\$4874
	Q	\$5148
SX2CL	N	\$5462
	Q	\$5787
SX2CR	N	\$5462
	Q	\$5787
SX2NL	N	\$4550
	Q	\$4824
SX2NR	N	\$4550
	Q	\$4824
Step 5. Wood Finish		
66G	recograin wenge	<input type="checkbox"/> +\$0
68W	recograin walnut, flat cut, matte sheen	<input type="checkbox"/> +\$0
69G	recograin wenge	<input type="checkbox"/> +\$0
69W	recograin walnut, quarter cut, matte sheen	<input type="checkbox"/> +\$0
96G	wenge recograin, quarter cut, low sheen	<input type="checkbox"/> +\$0
98W	recograin walnut, flat cut, low sheen	<input type="checkbox"/> +\$0
99G	recograin wenge, quarter cut, low sheen	<input type="checkbox"/> +\$0
99W	recograin walnut, quarter cut, low sheen	<input type="checkbox"/> +\$0

Matte Finishes		
662	toasted walnut, matte sheen	<input type="checkbox"/> +\$0
663	charred walnut, matte sheen	<input type="checkbox"/> +\$0
664	bronzed walnut, matte sheen	<input type="checkbox"/> +\$0
665	smoked walnut, matte sheen	<input type="checkbox"/> +\$0
666	coffee walnut, matte sheen	<input type="checkbox"/> +\$0
667	smoked paldao, quarter cut, matte sheen	<input type="checkbox"/> +\$0
669	warm paldao, quarter cut, matte sheen	<input type="checkbox"/> +\$0
66A	recograin frosty ash	<input type="checkbox"/> +\$0
677	chocolate ash, matte sheen	<input type="checkbox"/> +\$0
68R	recograin rosewood	<input type="checkbox"/> +\$0
69A	recograin frosty ash	<input type="checkbox"/> +\$0
69R	recograin rosewood	<input type="checkbox"/> +\$0
69T	recograin teak	<input type="checkbox"/> +\$0
6K1	rift oak	<input type="checkbox"/> +\$0
ET	clear on ash	<input type="checkbox"/> +\$0
EU	oak on ash	<input type="checkbox"/> +\$0
EV	walnut on ash	<input type="checkbox"/> +\$0
GOU	natural walnut, flat cut, matte sheen	<input type="checkbox"/> +\$0
6A1	white ash	<input type="checkbox"/> +\$0
6K6	burnt oak	<input type="checkbox"/> +\$0
932	sundance anigre	<input type="checkbox"/> +\$0
933	caramel anigre	<input type="checkbox"/> +\$0
934	henna anigre	<input type="checkbox"/> +\$0
940	sundance cherry on maple	<input type="checkbox"/> +\$0
962	toasted walnut, low sheen	<input type="checkbox"/> +\$0
963	charred walnut, low sheen	<input type="checkbox"/> +\$0
964	bronzed walnut, low sheen	<input type="checkbox"/> +\$0
965	smoked walnut, low sheen	<input type="checkbox"/> +\$0
966	coffee walnut, low sheen	<input type="checkbox"/> +\$0
967	smoked paldao, low sheen	<input type="checkbox"/> +\$0
969	warm paldao, low sheen	<input type="checkbox"/> +\$0
972	sundance walnut	<input type="checkbox"/> +\$0
977	chocolate ash, low sheen	<input type="checkbox"/> +\$0
98R	recograin rosewood	<input type="checkbox"/> +\$0
991	champagne ash	<input type="checkbox"/> +\$0
99A	recograin frosty ash	<input type="checkbox"/> +\$0
99R	recograin rosewood	<input type="checkbox"/> +\$0
99T	recograin teak	<input type="checkbox"/> +\$0
9A1	white ash, quarter cut, low sheen	<input type="checkbox"/> +\$0
9K1	rift oak, rift cut, low sheen	<input type="checkbox"/> +\$0
G2U	light brown walnut, low sheen	<input type="checkbox"/> +\$0
G40	dark brown walnut, low sheen	<input type="checkbox"/> +\$0
UX	walnut on cherry	<input type="checkbox"/> +\$0
943	caramel cherry	<input type="checkbox"/> +\$0
946	cocoa cherry	<input type="checkbox"/> +\$0
956	cocoa sapele	<input type="checkbox"/> +\$0

Tuxedo Component Lounge with Table - Two Seats *continued*

998	ebony ash A	+\$0
ED	aged cherry A	+\$0
EK	medium red walnut A	+\$0

Step 6. Fabric

For not quilted (N)

	A	C	N
Price Category 1	+\$0	0	0
Price Category (Geiger) 2	+\$0	0	0
Price Category 2	+\$412	449	364
Price Category (Geiger) 3	+\$518	563	457
Price Category 3	+\$518	563	457
Price Category (Geiger) 4	+\$631	686	557
Price Category 4	+\$631	686	557
Price Category (Geiger) 5	+\$920	1001	812
Price Category 5	+\$920	1001	812
Price Category (Geiger) 6	+\$1209	1316	1067
Price Category (Geiger) 7	+\$1498	1630	1322
Price Category 7	+\$1498	1630	1322
Price Category (Geiger) 8	+\$2294	2497	2024
Price Category 9	+\$2846	3097	2512
Price Category (Geiger) 10	+\$3275	3564	2890
Price Category 11	+\$3669	3993	3238
Price Category 14	+\$0	0	0
Price Category (Geiger) D	+\$613	668	469
Price Category (Geiger) E	+\$745	810	658
Price Category (Geiger) F	+\$894	973	788
Price Category (Geiger) G	+\$0	0	0
Price Category (Geiger) H	+\$1218	1648	1337
Price Category (Geiger) I	+\$1516	1991	1616
Price Category (Geiger) K	+\$2146	2677	2172
Price Category (Geiger) L	+\$2461	3020	2450
Price Category (Geiger) M	+\$2776	3363	2728
Price Category (Geiger) R	+\$6479	7051	5717
Price Category (Geiger) COM A	+\$0	0	0
Price Category (Geiger) COL A	+\$612	666	540

For quilted (Q)

	A	C	N
Price Category 1	+\$0	0	0
Price Category (Geiger) 2	+\$0	0	0
Price Category 2	+\$412	449	364
Price Category (Geiger) 3	+\$518	563	457
Price Category 3	+\$518	563	457
Price Category (Geiger) 4	+\$631	686	557
Price Category 4	+\$631	686	557
Price Category (Geiger) 5	+\$920	1001	812
Price Category 5	+\$920	1001	812
Price Category (Geiger) 6	+\$1209	1316	1067
Price Category (Geiger) 7	+\$1498	1630	1322
Price Category 7	+\$1498	1630	1322
Price Category (Geiger) 8	+\$2294	2497	2024
Price Category 9	+\$2846	3097	2512
Price Category (Geiger) 10	+\$3275	3564	2890
Price Category 11	+\$3669	3993	3238
Price Category 14	+\$0	0	0
Price Category (Geiger) D	+\$613	668	469
Price Category (Geiger) F	+\$894	973	788
Price Category (Geiger) G	+\$0	0	0
Price Category (Geiger) H	+\$1516	1648	1337
Price Category (Geiger) I	+\$1831	1991	1616
Price Category (Geiger) K	+\$2461	2677	2172
Price Category (Geiger) L	+\$2776	3020	2450
Price Category (Geiger) M	+\$3092	3363	2728
Price Category (Geiger) R	+\$6479	7051	5717
Price Category (Geiger) COM A	+\$0	0	0
Price Category (Geiger) COL A	+\$612	666	540

Step 7. Base Finish

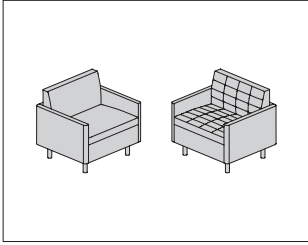
926	black A	+\$0
AS	arctic silver A	+\$0
WHT	white A	+\$0
CHR	chrome A	+\$0
SAC	satin chrome A	+\$0

Step 8. Fire Retardancy

NOCAL	no cal-133 required A	+\$0
--------------	---	------

Tuxedo Classic Club Chair

SZ1AB



HermanMiller Collection—Lounge Seating

Product Information

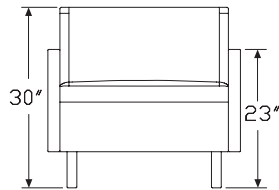
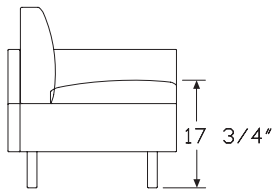
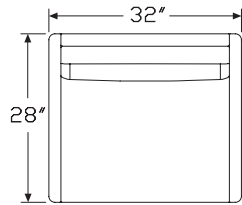
Description

This club chair has solid wood legs with cushions made of polyfoam and DACRON®. Cushions are quilted or not quilted. Fire retardant chair meets CAL 133 requirements.

Notes

Customer's Own Material (COM)/Customer's Own Leather (COL) requires the following:
 Type—COM—COL
 Not quilted—6½ yards—117 square feet
 Quilted—6½ yards—117 square feet
 See Order Information in Appendices for more information.

Dimensions



Specification Information

Step 1.

SZ1 A

Step 2. Arms

AB arms on left and right A

Step 3. Upholstery Type

N not quilted A

Q quilted A

Prices for Steps 1-3.

SZ1AB N	\$2599
Q	\$2736

Step 4. Fabric

For not quilted (N)

Price Category (Geiger) COM <input type="checkbox"/> A	+\$0
Price Category (Geiger) COL <input type="checkbox"/> A	+\$468
Price Category 1	+\$0
Price Category (Geiger) 2	+\$316
Price Category 2	+\$316
Price Category (Geiger) 3	+\$396
Price Category 3	+\$396
Price Category (Geiger) 4	+\$483
Price Category 4	+\$483
Price Category (Geiger) 5	+\$704
Price Category 5	+\$704
Price Category (Geiger) 6	+\$924
Price Category (Geiger) 7	+\$1146
Price Category (Geiger) 8	+\$1755
Price Category (Geiger) 9	+\$2177
Price Category 9	+\$2177
Price Category (Geiger) 10	+\$2504
Price Category 11	+\$2806
Price Category 14	+\$0
Price Category (Geiger) D	+\$469
Price Category (Geiger) E	+\$570
Price Category (Geiger) F	+\$683
Price Category (Geiger) G	+\$932
Price Category (Geiger) H	+\$1159
Price Category (Geiger) I	+\$1400
Price Category (Geiger) K	+\$1882
Price Category (Geiger) L	+\$2123
Price Category (Geiger) M	+\$2364
Price Category (Geiger) R	+\$4955

Tuxedo Classic Club Chair *continued*

For quilted (Q)

Price Category (Geiger) COM A	+\$0
Price Category (Geiger) COL A	+\$468
Price Category 1	+\$0
Price Category (Geiger) 2	+\$316
Price Category 2	+\$316
Price Category (Geiger) 3	+\$396
Price Category 3	+\$396
Price Category (Geiger) 4	+\$483
Price Category 4	+\$483
Price Category (Geiger) 5	+\$704
Price Category 5	+\$704
Price Category (Geiger) 6	+\$924
Price Category (Geiger) 7	+\$1146
Price Category (Geiger) 8	+\$1755
Price Category 9	+\$2177
Price Category (Geiger) 10	+\$2504
Price Category 11	+\$2806
Price Category 14	+\$0
Price Category (Geiger) D	+\$469
Price Category (Geiger) F	+\$683
Price Category (Geiger) G	+\$932
Price Category (Geiger) H	+\$1159
Price Category (Geiger) I	+\$1400
Price Category (Geiger) K	+\$1882
Price Category (Geiger) L	+\$2123
Price Category (Geiger) M	+\$2364
Price Category (Geiger) R	+\$4955

Step 5. Base Finish

66G recograin wenge A	+\$0
68W recograin walnut, flat cut, matte sheen A	+\$0
69G recograin wenge A	+\$0
69W recograin walnut, quarter cut, matte sheen A	+\$0
96G wenge recograin, quarter cut, low sheen A	+\$0
98W recograin walnut, flat cut, low sheen A	+\$0
99G recograin wenge, quarter cut, low sheen A	+\$0
99W recograin walnut, quarter cut, low sheen A	+\$0
932 sundance anigre A	+\$0
933 caramel anigre A	+\$0
934 henna anigre A	+\$0
940 sundance cherry on maple A	+\$0
962 toasted walnut, low sheen A	+\$0
963 charred walnut, low sheen A	+\$0
964 bronzed walnut, low sheen A	+\$0
965 smoked walnut, low sheen A	+\$0
966 coffee walnut, low sheen A	+\$0

967 smoked paldao, low sheen A	+\$0
969 warm paldao, low sheen A	+\$0
972 sundance walnut A	+\$0
977 chocolate ash, low sheen A	+\$0
98R recograin rosewood A	+\$0
991 champagne ash A	+\$0
99A recograin frosty ash A	+\$0
99R recograin rosewood A	+\$0
99T recograin teak A	+\$0
9A1 white ash, quarter cut, low sheen A	+\$0
9K1 rift oak, rift cut, low sheen A	+\$0
9K6 burnt oak, rift cut, low sheen A	+\$0
G2U light brown walnut, low sheen A	+\$0
G40 dark brown walnut, low sheen A	+\$0
UX walnut on cherry A	+\$0
943 caramel cherry A	+\$0
946 cocoa cherry A	+\$0
956 cocoa sapele A	+\$0
998 ebony ash A	+\$0
ED aged cherry A	+\$0
EK medium red walnut A	+\$0

Matte Finishes

662 toasted walnut, matte sheen A	+\$0
663 charred walnut, matte sheen A	+\$0
664 bronzed walnut, matte sheen A	+\$0
665 smoked walnut, matte sheen A	+\$0
666 coffee walnut, matte sheen A	+\$0
667 smoked paldao, quarter cut, matte sheen A	+\$0
669 warm paldao, quarter cut, matte sheen A	+\$0
66A recograin frosty ash A	+\$0
677 chocolate ash, matte sheen A	+\$0
68R recograin rosewood A	+\$0
69A recograin frosty ash A	+\$0
69R recograin rosewood A	+\$0
69T recograin teak A	+\$0
6K1 rift oak A	+\$0
ET clear on ash A	+\$0
EU oak on ash A	+\$0
EV walnut on ash A	+\$0
GOU natural walnut, flat cut, matte sheen A	+\$0
6A1 white ash A	+\$0
6K6 burnt oak A	+\$0

Step 6. Fire Retardancy

NOCAL no cal-133 required A	+\$0
--	------

Striad High-Back Lounge Chair, CCL100
4-Star Base



HermanMiller Collection—Lounge Seating

Product Information

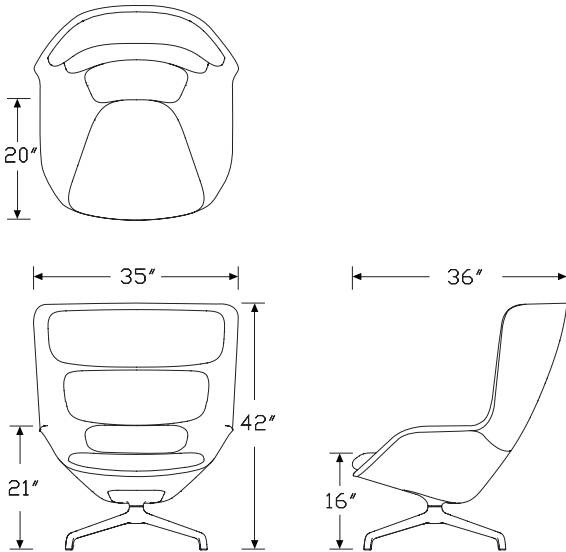
Description

This lounge chair has a high back, dual density foam cushions, and a 4-star aluminum base with a swivel-return feature. The outer shell provides rigidity and support while the inner shell provides flexibility for added movement and comfort.

Notes

Customer's Own Material (COM) requires 5 yards (2½ yards for shell, 2½ yards for cushions). Customer's Own Leather (COL) requires 90 square feet (45 sq ft for shell, 45 sq ft for cushions). See Order Information in appendices.

Dimensions



Specification Information

Step 1.

CCL100. A

Step 2. Base

S swivel, auto return A

Prices for Steps 1-2.

CCL100. S \$3509

Step 3. Base Finish

91 white A +\$0
BK black A +\$0
PA polished aluminum A +\$0

Step 4. Outer Shell Finish

91 white A +\$0
BK black A +\$0
WN warm grey neutral A +\$0

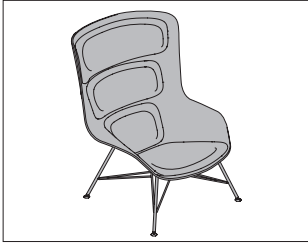
Step 5. Shell Upholstery

Price Category 4 +\$91
 Price Category 1 A +\$0
 Price Category 2 +\$16
 Price Category (Geiger) 3 +\$41
 Price Category (Geiger) 4 +\$91
 Price Category 5 +\$149
 Price Category (Geiger) 5 +\$154
 Price Category (Geiger) 6 +\$215
 Price Category 7 +\$855
 Price Category (Geiger) 7 +\$286
 Price Category (Geiger) 8 +\$376
 Price Category 9 +\$455
 Price Category (Geiger) 10 +\$562
 Price Category (Geiger) 11 +\$655
 Price Category 11 +\$635
 Price Category B +\$76
 Price Category (Geiger) C +\$130
 Price Category D +\$135
 Price Category G +\$425
 Price Category H +\$526
 Price Category J +\$726

Striad High-Back Lounge Chair,
4-Star Base *continued*

Step 6. Cushion Upholstery		
Price Category 4		+\$91
Price Category 1	A	+\$0
Price Category 2		+\$16
Price Category (Geiger) 3		+\$41
Price Category (Geiger) 4		+\$91
Price Category 5		+\$149
Price Category (Geiger) 5		+\$154
Price Category (Geiger) 6		+\$215
Price Category 7		+\$855
Price Category (Geiger) 7		+\$286
Price Category (Geiger) 8		+\$376
Price Category 9		+\$455
Price Category (Geiger) 10		+\$562
Price Category 11		+\$635
Price Category (Geiger) 11		+\$655
Price Category B		+\$76
Price Category (Geiger) C		+\$96
Price Category D		+\$135
Price Category G		+\$425
Price Category H		+\$526
Price Category J		+\$726
Step 7. Fire Retardancy		
NFR	not fire retardant A	+\$0
FR	fire retardant A	+\$375

Striad High-Back Lounge Chair, CCL101 Wire Base



HermanMiller Collection—Lounge Seating

Product Information

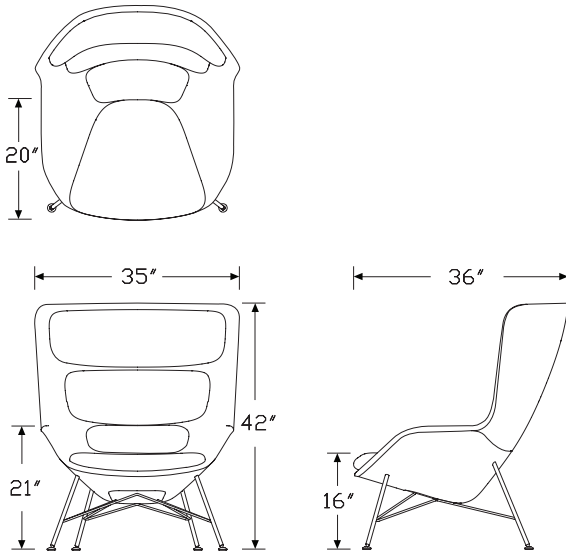
Description

This lounge chair has a high back, dual density foam cushions, and a 4-leg wire base. The outer shell provides rigidity and support while the inner shell provides flexibility for added movement and comfort.

Notes

Customer's Own Material (COM) requires 5 yards (2½ yards for shell, 2½ yards for cushions). Customer's Own Leather (COL) requires 90 square feet (45 sq ft for shell, 45 sq ft for cushions). See Order Information in appendices.

Dimensions



Specification Information

Step 1.

CCL101. A \$3282

Step 2. Base Finish

47	trivalent chrome	A	+\$0
91	white	A	+\$0
BK	black	A	+\$0

Step 3. Outer Shell Finish

91	white	A	+\$0
BK	black	A	+\$0
WN	warm grey neutral	A	+\$0

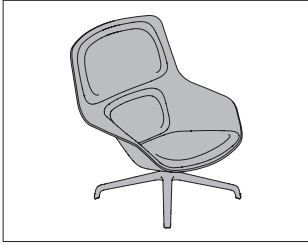
Step 4. Shell Upholstery

Price Category 4	+\$91
Price Category 1 A	+\$0
Price Category 2	+\$16
Price Category 3	+\$0
Price Category (Geiger) 3	+\$41
Price Category (Geiger) 4	+\$91
Price Category 5	+\$149
Price Category (Geiger) 5	+\$154
Price Category (Geiger) 6	+\$215
Price Category 7	+\$855
Price Category (Geiger) 7	+\$286
Price Category 8	+\$675
Price Category (Geiger) 8	+\$376
Price Category 9	+\$455
Price Category (Geiger) 10	+\$562
Price Category 11	+\$635
Price Category (Geiger) 11	+\$655
Price Category B	+\$76
Price Category (Geiger) C	+\$130
Price Category D	+\$135
Price Category G	+\$425
Price Category H	+\$526
Price Category J	+\$726

Striad High-Back Lounge Chair, Wire Base *continued*

Step 5. Cushion Upholstery			
Price Category 4		+\$91	
Price Category 1	A	+\$0	
Price Category 2		+\$16	
Price Category 3		+\$0	
Price Category (Geiger) 3		+\$41	
Price Category (Geiger) 4		+\$91	
Price Category 5		+\$149	
Price Category (Geiger) 5		+\$154	
Price Category (Geiger) 6		+\$215	
Price Category 7		+\$855	
Price Category (Geiger) 7		+\$286	
Price Category 8		+\$675	
Price Category (Geiger) 8		+\$376	
Price Category 9		+\$455	
Price Category (Geiger) 10		+\$562	
Price Category 11		+\$635	
Price Category (Geiger) 11		+\$655	
Price Category B		+\$76	
Price Category (Geiger) C		+\$96	
Price Category D		+\$135	
Price Category G		+\$425	
Price Category H		+\$526	
Price Category J		+\$726	
Step 6. Fire Retardancy			
NFR	not fire retardant	A	+\$0
FR	fire retardant	A	+\$375

Striad Mid-Back Lounge Chair, CCL200
4-Star Base



HermanMiller Collection—Lounge Seating

Product Information

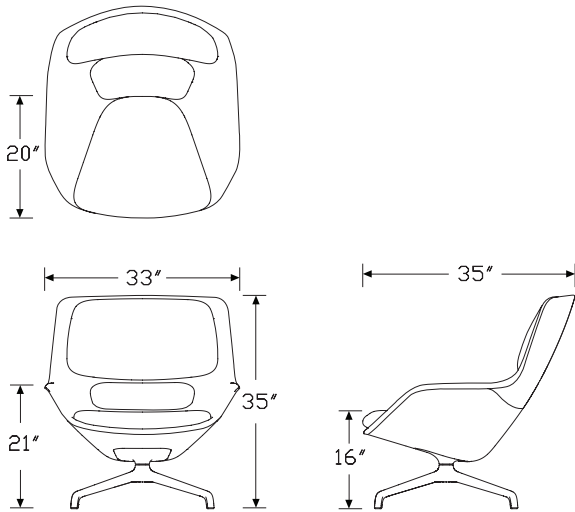
Description

This lounge chair has a mid back, dual density foam cushions, and a 4-star aluminum base with a swivel-return feature. The outer shell provides rigidity and support while the inner shell provides flexibility for added movement and comfort.

Notes

Customer's Own Material (COM) requires 3½ yards (1¾ yards for shell, 1¾ yards for cushions). Customer's Own Leather (COL) requires 63 square feet (31½ sq ft for shell, 31½ sq ft for cushions). See Order Information in appendices.

Dimensions



Specification Information

Step 1.

CCL200. [A]

Step 2. Base

S swivel, auto return [A]

Prices for Steps 1-2.

CCL200. S \$3096

Step 3. Base Finish

91 white [A] +\$0
BK black [A] +\$0
PA polished aluminum [A] +\$0

Step 4. Outer Shell Finish

91 white [A] +\$0
BK black [A] +\$0
WN warm grey neutral [A] +\$0

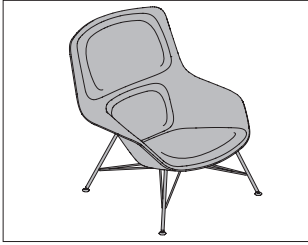
Step 5. Shell Upholstery

Price Category (Geiger) 6 +\$148
 Price Category 4 +\$64
 Price Category 1 [A] +\$0
 Price Category 2 +\$11
 Price Category 3 +\$0
 Price Category (Geiger) 3 +\$28
 Price Category (Geiger) 4 +\$64
 Price Category 5 +\$102
 Price Category (Geiger) 5 +\$106
 Price Category 7 +\$599
 Price Category (Geiger) 7 +\$200
 Price Category 8 +\$338
 Price Category (Geiger) 8 +\$264
 Price Category 9 +\$319
 Price Category (Geiger) 10 +\$394
 Price Category 11 +\$445
 Price Category (Geiger) 11 +\$459
 Price Category B +\$53
 Price Category (Geiger) C +\$91
 Price Category D +\$245
 Price Category G +\$298
 Price Category H +\$368
 Price Category J +\$508

Striad Mid-Back Lounge Chair,
4-Star Base *continued*

Step 6. Cushion Upholstery		
Price Category (Geiger) 6		+\$148
Price Category 4		+\$64
Price Category 1	A	+\$0
Price Category 2		+\$11
Price Category 3		+\$0
Price Category (Geiger) 3		+\$28
Price Category (Geiger) 4		+\$64
Price Category 5		+\$102
Price Category (Geiger) 5		+\$106
Price Category 7		+\$599
Price Category (Geiger) 7		+\$200
Price Category 8		+\$473
Price Category (Geiger) 8		+\$264
Price Category 9		+\$319
Price Category (Geiger) 10		+\$394
Price Category 11		+\$445
Price Category (Geiger) 11		+\$459
Price Category B		+\$53
Price Category (Geiger) C		+\$83
Price Category D		+\$245
Price Category G		+\$298
Price Category H		+\$368
Price Category J		+\$508
Step 7. Fire Retardancy		
NFR	not fire retardant A	+\$0
FR	fire retardant A	+\$275

Striad Mid-Back Lounge Chair, CCL201
Wire Base



HermanMiller Collection—Lounge Seating

Product Information

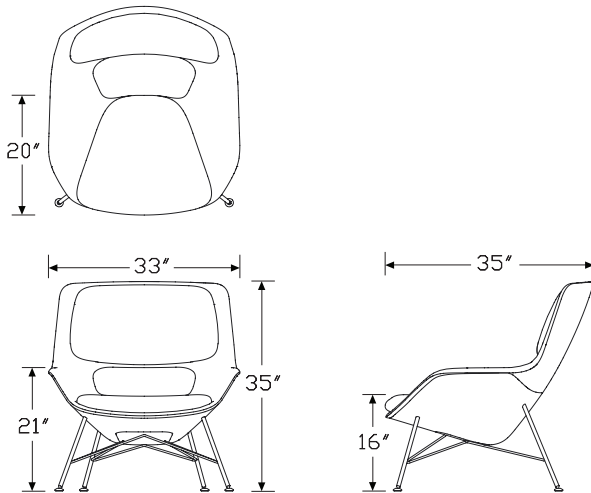
Description

This lounge chair has a mid back, dual density foam cushions, and a 4-leg wire base. The outer shell provides rigidity and support while the inner shell provides flexibility for added movement and comfort.

Notes

Customer's Own Material (COM) requires 3½ yards (1¾ yards for shell, 1¾ yards for cushions). Customer's Own Leather (COL) requires 63 square feet (31½ sq ft for shell, 31½ sq ft for cushions). See Order Information in appendices.

Dimensions



Specification Information

Step 1.

CCL201. A \$2869

Step 2. Base Finish

47 trivalent chrome A +\$0
91 white A +\$0
BK black A +\$0

Step 3. Outer Shell Finish

91 white A +\$0
BK black A +\$0
WN warm grey neutral A +\$0

Step 4. Shell Upholstery

Price Category 4 +\$64
 Price Category 1 A +\$0
 Price Category 2 +\$11
 Price Category 3 +\$0
 Price Category (Geiger) 3 +\$28
 Price Category (Geiger) 4 +\$64
 Price Category 5 +\$102
 Price Category (Geiger) 5 +\$106
 Price Category (Geiger) 6 +\$148
 Price Category 7 +\$599
 Price Category (Geiger) 7 +\$200
 Price Category (Geiger) 8 +\$264
 Price Category 9 +\$319
 Price Category (Geiger) 10 +\$394
 Price Category 11 +\$445
 Price Category (Geiger) 11 +\$459
 Price Category B +\$53
 Price Category (Geiger) C +\$91
 Price Category D +\$245
 Price Category G +\$298
 Price Category H +\$368
 Price Category J +\$508

Striad Mid-Back Lounge Chair,
Wire Base *continued*

Step 5. Cushion Upholstery		
Price Category 4		+\$64
Price Category 1	A	+\$0
Price Category 2		+\$11
Price Category 3		+\$0
Price Category (Geiger) 3		+\$28
Price Category (Geiger) 4		+\$64
Price Category 5		+\$102
Price Category (Geiger) 5		+\$106
Price Category (Geiger) 6		+\$148
Price Category 7		+\$599
Price Category (Geiger) 7		+\$200
Price Category (Geiger) 8		+\$264
Price Category 9		+\$319
Price Category (Geiger) 10		+\$394
Price Category 11		+\$445
Price Category (Geiger) 11		+\$459
Price Category B		+\$53
Price Category (Geiger) C		+\$83
Price Category D		+\$245
Price Category G		+\$298
Price Category H		+\$368
Price Category J		+\$508
Step 6. Fire Retardancy		
NFR	not fire retardant A	+\$0
FR	fire retardant A	+\$275

Striad Low-Back Lounge Chair, CCL300
4-Star Base



HermanMiller Collection—Lounge Seating

Product Information

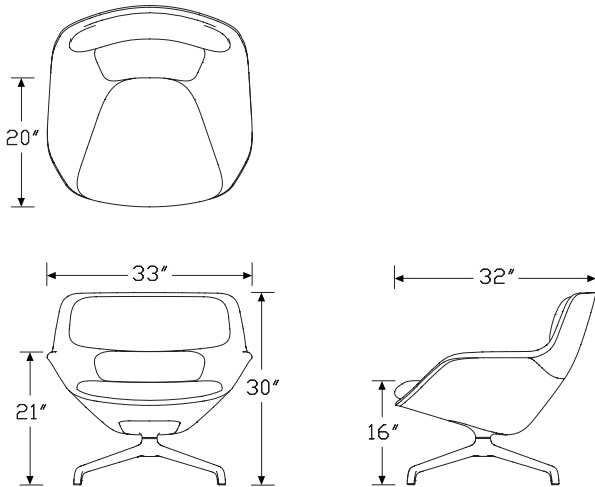
Description

This lounge chair has a low back, dual density foam cushions, and a 4-star aluminum base with a swivel-return feature. The outer shell provides rigidity and support while the inner shell provides flexibility for added movement and comfort.

Notes

Customer's Own Material (COM) requires 3½ yards (1¾ yards for shell, 1¾ yards for cushions). Customer's Own Leather (COL) requires 63 square feet (31½ sq ft for shell, 31½ sq ft for cushions). See Order Information in appendices.

Dimensions



Specification Information

Step 1.

CCL300. A

Step 2. Base

S swivel, auto return A

Prices for Steps 1-2.

CCL300. S \$2910

Step 3. Base Finish

91 white A +\$0
BK black A +\$0
PA polished aluminum A +\$0

Step 4. Outer Shell Finish

91 white A +\$0
BK black A +\$0
WN warm grey neutral A +\$0

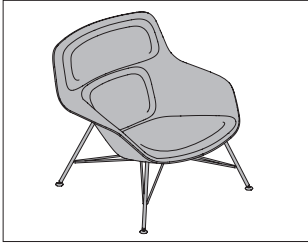
Step 5. Shell Upholstery

Price Category 4 +\$59
 Price Category 1 A +\$0
 Price Category 2 +\$11
 Price Category 3 +\$0
 Price Category (Geiger) 3 +\$26
 Price Category (Geiger) 4 +\$59
 Price Category 5 +\$92
 Price Category (Geiger) 5 +\$95
 Price Category (Geiger) 6 +\$122
 Price Category 7 +\$599
 Price Category (Geiger) 7 +\$186
 Price Category 8 +\$237
 Price Category (Geiger) 8 +\$245
 Price Category 9 +\$296
 Price Category (Geiger) 10 +\$365
 Price Category 11 +\$413
 Price Category (Geiger) 11 +\$426
 Price Category B +\$50
 Price Category (Geiger) C +\$91
 Price Category D +\$245
 Price Category G +\$276
 Price Category H +\$342
 Price Category J +\$472

Striad Low-Back Lounge Chair,
4-Star Base *continued*

Step 6. Cushion Upholstery		
Price Category 4		+\$59
Price Category 1	A	+\$0
Price Category 2		+\$11
Price Category 3		+\$0
Price Category (Geiger) 3		+\$26
Price Category (Geiger) 4		+\$59
Price Category 5		+\$92
Price Category (Geiger) 5		+\$95
Price Category (Geiger) 6		+\$122
Price Category 7		+\$599
Price Category (Geiger) 7		+\$186
Price Category 8		+\$237
Price Category (Geiger) 8		+\$245
Price Category 9		+\$296
Price Category (Geiger) 10		+\$365
Price Category 11		+\$413
Price Category (Geiger) 11		+\$426
Price Category B		+\$50
Price Category (Geiger) C		+\$83
Price Category D		+\$245
Price Category G		+\$276
Price Category H		+\$342
Price Category J		+\$472
Step 7. Fire Retardancy		
NFR	not fire retardant A	+\$0
FR	fire retardant A	+\$250

Striad Low-Back Lounge Chair, CCL301
Wire Base



HermanMiller Collection—Lounge Seating

Product Information

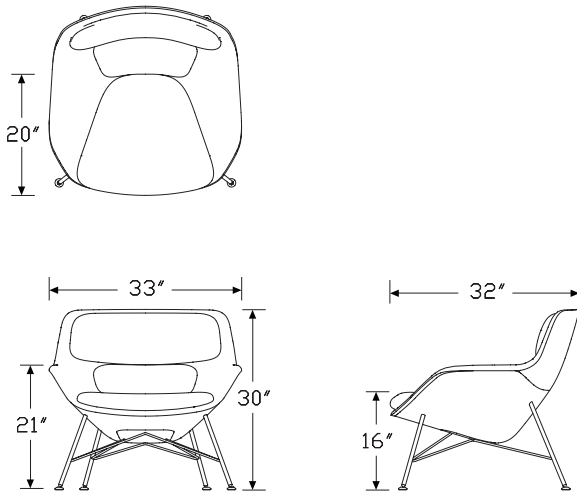
Description

This lounge chair has a low back, dual density foam cushions, and a 4-leg wire base. The outer shell provides rigidity and support while the inner shell provides flexibility for added movement and comfort.

Notes

Customer's Own Material (COM) requires 3½ yards (1¾ yards for shell, 1¾ yards for cushions). Customer's Own Leather (COL) requires 63 square feet (31½ sq ft for shell, 31½ sq ft for cushions). See Order Information in appendices.

Dimensions



Specification Information

Step 1.

CCL301. A \$2682

Step 2. Base Finish

47 trivalent chrome A +\$0
91 white A +\$0
BK black A +\$0

Step 3. Outer Shell Finish

91 white A +\$0
BK black A +\$0
WN warm grey neutral A +\$0

Step 4. Shell Upholstery

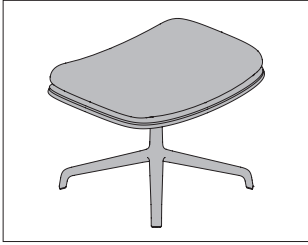
Price Category 4 +\$59
 Price Category 1 A +\$0
 Price Category 2 +\$11
 Price Category 3 +\$0
 Price Category (Geiger) 3 +\$26
 Price Category (Geiger) 4 +\$59
 Price Category 5 +\$92
 Price Category (Geiger) 5 +\$95
 Price Category (Geiger) 6 +\$122
 Price Category 7 +\$599
 Price Category (Geiger) 7 +\$186
 Price Category 8 +\$237
 Price Category (Geiger) 8 +\$245
 Price Category 9 +\$296
 Price Category (Geiger) 10 +\$365
 Price Category 11 +\$413
 Price Category (Geiger) 11 +\$426
 Price Category B +\$50
 Price Category (Geiger) C +\$91
 Price Category D +\$245
 Price Category G +\$276
 Price Category H +\$342
 Price Category J +\$472

Striad Low-Back Lounge Chair, Wire Base *continued*

Step 5. Cushion Upholstery			
Price Category 4		+\$59	
Price Category 1	A	+\$0	
Price Category 2		+\$11	
Price Category 3		+\$0	
Price Category (Geiger) 3		+\$26	
Price Category (Geiger) 4		+\$59	
Price Category 5		+\$92	
Price Category (Geiger) 5		+\$95	
Price Category (Geiger) 6		+\$122	
Price Category 7		+\$599	
Price Category (Geiger) 7		+\$186	
Price Category 8		+\$237	
Price Category (Geiger) 8		+\$245	
Price Category 9		+\$296	
Price Category (Geiger) 10		+\$365	
Price Category 11		+\$413	
Price Category (Geiger) 11		+\$426	
Price Category B		+\$50	
Price Category (Geiger) C		+\$83	
Price Category D		+\$245	
Price Category G		+\$276	
Price Category H		+\$342	
Price Category J		+\$472	
Step 6. Fire Retardancy			
NFR	not fire retardant	A	+\$0
FR	fire retardant	A	+\$250

Striad Ottoman, 4-Star Base

CCL400



HermanMiller Collection—Lounge Seating

Product Information

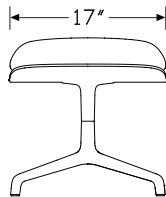
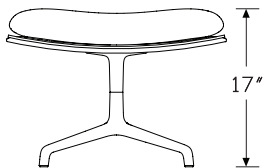
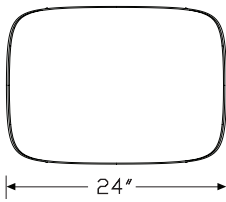
Description

This ottoman has a 4-star fixed aluminum base.

Notes

Customer's Own Material (COM) requires 2 yards (1 yard for shell, 1 yard for cushion). Customer's Own Leather (COL) requires 36 square feet (18 sq ft for shell, 18 sq ft for cushions). See Order Information in appendices.

Dimensions



Specification Information

Step 1.

CCL400. A \$1137

Step 2. Base Finish

- 91** white A +\$0
- BK** black A +\$0
- PA** polished aluminum A +\$0

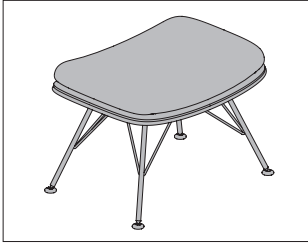
Step 3. Shell Upholstery

- Price Category 4 +-\$37
- Price Category 1 A +\$0
- Price Category 2 +-\$7
- Price Category 3 +\$0
- Price Category (Geiger) 3 +-\$17
- Price Category (Geiger) 4 +-\$37
- Price Category 5 +-\$57
- Price Category (Geiger) 5 +-\$59
- Price Category (Geiger) 6 +-\$75
- Price Category 7 +-\$342
- Price Category (Geiger) 7 +-\$115
- Price Category 8 +-\$68
- Price Category (Geiger) 8 +-\$151
- Price Category 9 +-\$182
- Price Category (Geiger) 10 +-\$225
- Price Category 11 +-\$254
- Price Category (Geiger) 11 +-\$262
- Price Category B +-\$31
- Price Category (Geiger) C +-\$32
- Price Category D +-\$140
- Price Category G +-\$170
- Price Category H +-\$211
- Price Category J +-\$291

Striad Ottoman, 4-Star Base

continued

Step 4. Cushion Upholstery		
Price Category 4		+\$37
Price Category 1	A	+\$0
Price Category 2		+\$7
Price Category 3		+\$0
Price Category (Geiger) 3		+\$17
Price Category (Geiger) 4		+\$37
Price Category 5		+\$57
Price Category (Geiger) 5		+\$59
Price Category (Geiger) 6		+\$75
Price Category 7		+\$342
Price Category (Geiger) 7		+\$115
Price Category 8		+\$68
Price Category (Geiger) 8		+\$151
Price Category 9		+\$182
Price Category (Geiger) 10		+\$225
Price Category 11		+\$254
Price Category (Geiger) 11		+\$262
Price Category B		+\$31
Price Category (Geiger) C		+\$0
Price Category D		+\$140
Price Category G		+\$170
Price Category H		+\$211
Price Category J		+\$291
Step 5. Fire Retardancy		
NFR	not fire retardant A	+\$0
FR	fire retardant A	+\$150



Product Information

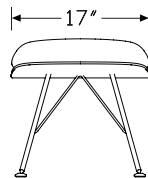
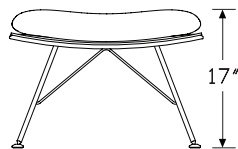
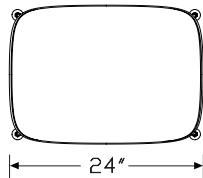
Description

This ottoman has a 4-leg wire base.

Notes

Customer's Own Material (COM) requires 2 yards (1 yard for shell, 1 yard for cushion). Customer's Own Leather (COL) requires 36 square feet (18 sq ft for shell, 18 sq ft for cushions). See Order Information in appendices.

Dimensions



Specification Information

Step 1.

CCL401. A \$1122

Step 2. Base Finish

47	trivalent chrome	A	+\$0
91	white	A	+\$0
BK	black	A	+\$0

Step 3. Shell Upholstery

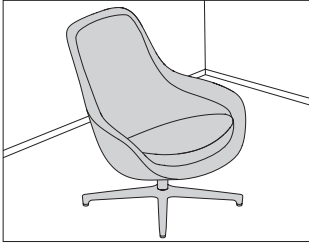
Price Category 1	A	+\$0
Price Category 2		+\$7
Price Category 3		+\$0
Price Category (Geiger) 3		+\$17
Price Category 4		+\$37
Price Category (Geiger) 4		+\$37
Price Category 5		+\$57
Price Category (Geiger) 5		+\$59
Price Category (Geiger) 6		+\$75
Price Category 7		+\$342
Price Category (Geiger) 7		+\$115
Price Category 8		+\$151
Price Category (Geiger) 8		+\$151
Price Category 9		+\$182
Price Category (Geiger) 10		+\$225
Price Category 11		+\$254
Price Category (Geiger) 11		+\$262
Price Category B		+\$31
Price Category (Geiger) C		+\$32
Price Category D		+\$140
Price Category G		+\$170
Price Category H		+\$211
Price Category J		+\$291

Striad Ottoman, Wire Base *continued*

Step 4. Cushion Upholstery			
Price Category 1	A	+\$0	
Price Category 2		+\$7	
Price Category 3		+\$0	
Price Category (Geiger) 3		+\$17	
Price Category 4		+\$37	
Price Category (Geiger) 4		+\$37	
Price Category 5		+\$57	
Price Category (Geiger) 5		+\$59	
Price Category (Geiger) 6		+\$75	
Price Category 7		+\$342	
Price Category (Geiger) 7		+\$115	
Price Category 8		+\$151	
Price Category (Geiger) 8		+\$151	
Price Category 9		+\$182	
Price Category (Geiger) 10		+\$225	
Price Category 11		+\$254	
Price Category (Geiger) 11		+\$262	
Price Category B		+\$31	
Price Category (Geiger) C		+\$0	
Price Category D		+\$140	
Price Category G		+\$170	
Price Category H		+\$211	
Price Category J		+\$291	
Step 5. Fire Retardancy			
NFR	not fire retardant	A	+\$0
FR	fire retardant	A	+\$150

Saiba Lounge

SBN5H



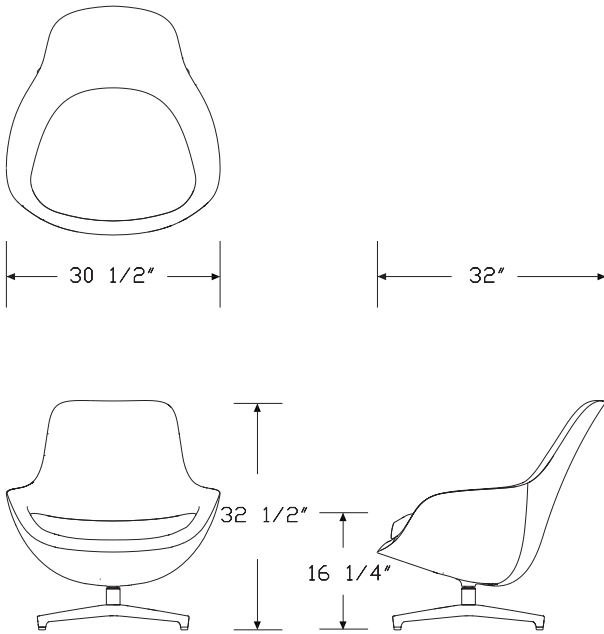
HermanMiller Collection—Lounge Seating

Product Information

Description
This high back chair has a 4-star base with glides. Seat frame is rigid urethane with polyurethane foam. Cushion is high density foam.

Notes
Customer's Own Material (COM) requires 3½ yards. Customer's Own Leather (COL) requires 63 square feet. See Order Information in Appendices.

Dimensions



Specification Information

Step 1.

SBN5 A

Step 2. Back Height

H high back A

Prices for Steps 1-2.

SBN5H \$2736

Step 3. Upholstery

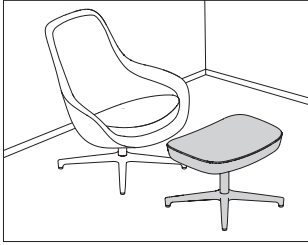
Price Category (Geiger) COL <input type="checkbox"/> A	+\$189
Price Category (Geiger) COM <input type="checkbox"/> A	+\$0
Price Category 1	+\$0
Price Category (Geiger) 2	+\$172
Price Category 2	+\$172
Price Category (Geiger) 3	+\$214
Price Category 3	+\$214
Price Category 4	+\$260
Price Category (Geiger) 4	+\$260
Price Category (Geiger) 5	+\$380
Price Category 5	+\$380
Price Category (Geiger) 6	+\$501
Price Category (Geiger) 7	+\$617
Price Category (Geiger) 8	+\$743
Price Category 9	+\$1173
Price Category (Geiger) 10	+\$1349
Price Category (Geiger) 11	+\$1512
Price Category 11	+\$1512
Price Category (Geiger) C	+\$152
Price Category (Geiger) F	+\$292
Price Category (Geiger) G	+\$504
Price Category (Geiger) H	+\$625

Step 4. Base Finish

BK black <input type="checkbox"/> A	+\$0
CD polished aluminum <input type="checkbox"/> A	+\$0

Step 5. Fire Retardancy

NOCAL no cal-133 required A +\$0



Product Information

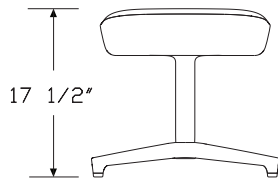
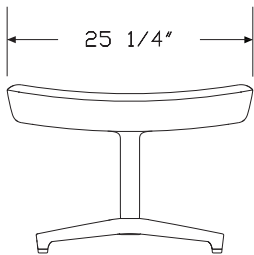
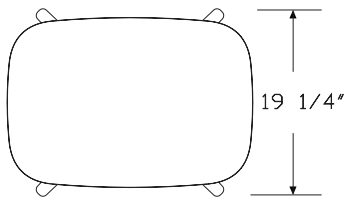
Description

This ottoman has upholstered high density foam and a 4-star base with glides.

Notes

Customer's Own Material (COM) requires 1 yard. Customer's Own Leather (COL) requires 18 square feet. See Order Information in Appendices.

Dimensions



Specification Information

Step 1.

SBN6 A \$1089

Step 2. Upholstery

Price Category (Geiger) COL	<input type="checkbox"/> A	+\$72
Price Category (Geiger) COM	<input type="checkbox"/> A	+\$0
Price Category 1		+\$0
Price Category (Geiger) 2		+\$0
Price Category 2		+\$0
Price Category (Geiger) 3		+\$61
Price Category 3		+\$61
Price Category 4		+\$75
Price Category (Geiger) 4		+\$75
Price Category (Geiger) 5		+\$109
Price Category 5		+\$109
Price Category (Geiger) 6		+\$143
Price Category (Geiger) 7		+\$177
Price Category (Geiger) 8		+\$270
Price Category 9		+\$335
Price Category (Geiger) 10		+\$386
Price Category (Geiger) 11		+\$432
Price Category 11		+\$432
Price Category (Geiger) C		+\$55
Price Category (Geiger) F		+\$106
Price Category (Geiger) G		+\$144
Price Category (Geiger) H		+\$179

Step 3. Base Finish

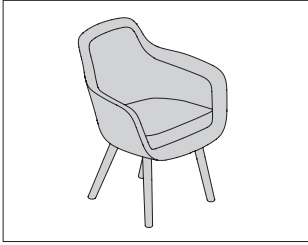
BK	black	<input type="checkbox"/> A	+\$0
CD	polished aluminum	<input type="checkbox"/> A	+\$0

Step 4. Fire Retardancy

NOCAL no cal-133 required A +\$0

Saiba Guest Chair

SBN7M



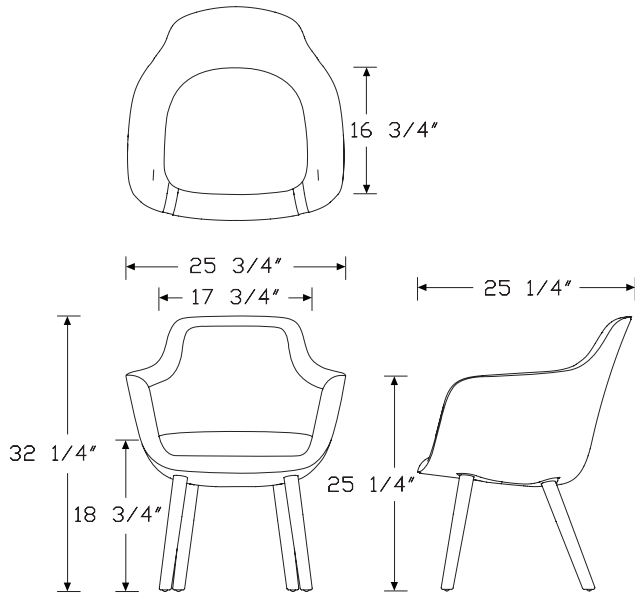
HermanMiller Collection—Lounge Seating

Product Information

Description
 This guest chair has a solid wood base available in ash or walnut. Seat frame is rigid urethane with polyurethane foam. Cushion is high density foam.

Notes
 Customer's Own Material (COM) requires 2¾ yards. Customer's Own Leather (COL) requires 49½ square feet. See Order Information in Appendices.

Dimensions



Specification Information

Step 1.

SBN7 A

Step 2. Back Height

M mid back A

Step 3. Frame

A ash A

W walnut A

Prices for Steps 1-3.

SBN7M A	\$1748
W	\$1748

Step 4. Upholstery

Price Category (Geiger) COL <input type="checkbox"/> A	+\$149
Price Category (Geiger) COM <input type="checkbox"/> A	+\$0
Price Category 1	+\$0
Price Category (Geiger) 2	+\$0
Price Category 2	+\$0
Price Category (Geiger) 3	+\$167
Price Category 3	+\$167
Price Category 4	+\$204
Price Category (Geiger) 4	+\$204
Price Category (Geiger) 5	+\$298
Price Category 5	+\$298
Price Category (Geiger) 6	+\$394
Price Category (Geiger) 7	+\$485
Price Category (Geiger) 8	+\$743
Price Category 9	+\$921
Price Category (Geiger) 10	+\$1060
Price Category (Geiger) 11	+\$1187
Price Category 11	+\$1187
Price Category (Geiger) C	+\$152
Price Category (Geiger) F	+\$292
Price Category (Geiger) G	+\$396
Price Category (Geiger) H	+\$491

Step 5. Wood Finish

Low Sheen Finishes (on Ash)

For ash (A)

967 smoked paldao, low sheen <input type="checkbox"/> A	+\$0
969 warm paldao, low sheen <input type="checkbox"/> A	+\$0

Low Sheen Finishes (on Ash)

For ash (A)

G2U	light brown walnut, low sheen A	+\$0
G40	dark brown walnut, low sheen A	+\$0
940	sundance cherry on maple A	+\$0
943	caramel cherry A	+\$0
946	cocoa cherry A	+\$0
956	cocoa sapele A	+\$0
962	toasted walnut, low sheen A	+\$0
963	charred walnut, low sheen A	+\$0
964	bronzed walnut, low sheen A	+\$0
965	smoked walnut, low sheen A	+\$0
966	coffee walnut, low sheen A	+\$0
977	chocolate ash, low sheen A	+\$0
98R	recograin rosewood A	+\$0
991	champagne ash A	+\$0
998	ebony ash A	+\$0
99A	recograin frosty ash A	+\$0
99R	recograin rosewood A	+\$0
99T	recograin teak A	+\$0
9A1	white ash, quarter cut, low sheen A	+\$0
9K1	rift oak, rift cut, low sheen A	+\$0
9K6	burnt oak, rift cut, low sheen A	+\$0
ED	aged cherry A	+\$0
EK	medium red walnut A	+\$0
UX	walnut on cherry A	+\$0

Matte Sheen Finishes (on Ash)

For ash (A)

66A	recograin frosty ash A	+\$0
677	chocolate ash, matte sheen A	+\$0
68R	recograin rosewood A	+\$0
69A	recograin frosty ash A	+\$0
69R	recograin rosewood A	+\$0
69T	recograin teak A	+\$0
6A1	white ash A	+\$0
6K1	rift oak A	+\$0
6K6	burnt oak A	+\$0
ET	clear on ash A	+\$0
EU	oak on ash A	+\$0
EV	walnut on ash A	+\$0
GOU	natural walnut, flat cut, matte sheen A	+\$0

Matte Sheen Finishes (on Ash)

For ash (A)

66G	recograin wenge A	+\$0
68W	recograin walnut, flat cut, matte sheen A	+\$0
69G	recograin wenge A	+\$0
69W	recograin walnut, quarter cut, matte sheen A	+\$0

Low Sheen Finishes (on Ash)

For ash (A)

98W	recograin walnut, flat cut, low sheen A	+\$0
99G	recograin wenge, quarter cut, low sheen A	+\$0
99W	recograin walnut, quarter cut, low sheen A	+\$0

Low Sheen Finishes (on Walnut)

For walnut (W)

967	smoked paldao, low sheen A	+\$0
969	warm paldao, low sheen A	+\$0

Low Sheen Finishes (on Walnut)

For walnut (W)

G2U	light brown walnut, low sheen A	+\$0
G40	dark brown walnut, low sheen A	+\$0
962	toasted walnut, low sheen A	+\$0
963	charred walnut, low sheen A	+\$0
964	bronzed walnut, low sheen A	+\$0
965	smoked walnut, low sheen A	+\$0
966	coffee walnut, low sheen A	+\$0
972	sundance walnut A	+\$0
98R	recograin rosewood A	+\$0
99R	recograin rosewood A	+\$0
EK	medium red walnut A	+\$0

Matte Sheen Finishes (on Walnut)

For walnut (W)

68R	recograin rosewood A	+\$0
69R	recograin rosewood A	+\$0
662	toasted walnut, matte sheen A	+\$0
663	charred walnut, matte sheen A	+\$0
664	bronzed walnut, matte sheen A	+\$0
665	smoked walnut, matte sheen A	+\$0
666	coffee walnut, matte sheen A	+\$0
667	smoked paldao, quarter cut, matte sheen A	+\$0
669	warm paldao, quarter cut, matte sheen A	+\$0
EV	walnut on ash, matte sheen A	+\$0
GOU	natural walnut, flat cut, matte sheen A	+\$0

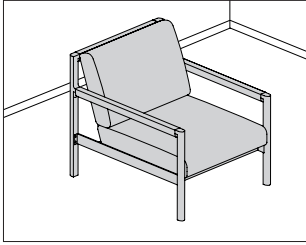
Saiba Guest Chair *continued*

HermanMiller Collection—Lounge Seating

Matte Sheen Finishes (on Walnut)		
<i>For walnut (W)</i>		
66G	recograin wenge <input type="checkbox"/> A	+\$0
69G	recograin wenge <input type="checkbox"/> A	+\$0
Low Sheen Finishes (on Walnut)		
<i>For walnut (W)</i>		
96G	wenge recograin, quarter cut, low sheen <input type="checkbox"/> A	+\$0
99G	recograin wenge, quarter cut, low sheen <input type="checkbox"/> A	+\$0
Step 6. Fire Retardancy		
NOCAL	no cal-133 required <input type="checkbox"/> A	+\$0

Brabo Lounge Chair

SVV4A
SVV4W



Product Information

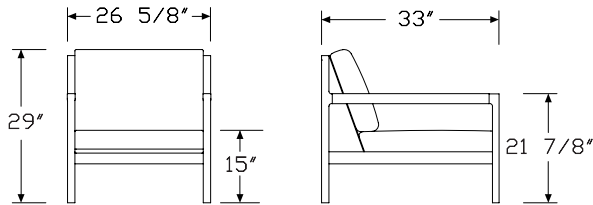
Description

This lounge chair has a solid ash or solid walnut frame with steel-plated metal, leather sling and arm wrap, and upholstered foam cushions.

Notes

Customers Own Material (COM) requires 2 yards for the back and seat cushions. Customers Own Leather (COL) requires 36 square feet for the back and seat cushions, and an additional 27 square feet for the sling and arm wrap. See Order Information in Appendices.

Dimensions



Specification Information

Step 1.

SVV4 A

Step 2. Frame Finish

A ash A

W walnut A

Prices for Steps 1-2.

SVV4A \$2736

SVV4W \$3283

Step 3. Wood Finish

Premium Veneer - Low Sheen

For ash (A)

940	sundance cherry on maple <input type="checkbox"/> A	+\$0
943	caramel cherry <input type="checkbox"/> A	+\$0
946	cocoa cherry <input type="checkbox"/> A	+\$0
956	cocoa sapele <input type="checkbox"/> A	+\$0
962	toasted walnut, low sheen <input type="checkbox"/> A	+\$0
963	charred walnut, low sheen <input type="checkbox"/> A	+\$0
964	bronzed walnut, low sheen <input type="checkbox"/> A	+\$0
965	smoked walnut, low sheen <input type="checkbox"/> A	+\$0
966	coffee walnut, low sheen <input type="checkbox"/> A	+\$0
977	chocolate ash, low sheen <input type="checkbox"/> A	+\$0
98R	recograin rosewood <input type="checkbox"/> A	+\$0
991	champagne ash <input type="checkbox"/> A	+\$0
998	ebony ash <input type="checkbox"/> A	+\$0
99A	recograin frosty ash <input type="checkbox"/> A	+\$0
99R	recograin rosewood <input type="checkbox"/> A	+\$0
99T	recograin teak <input type="checkbox"/> A	+\$0
9A1	white ash, quarter cut, low sheen <input type="checkbox"/> A	+\$0
9K1	rift oak, rift cut, low sheen <input type="checkbox"/> A	+\$0
9K6	burnt oak, rift cut, low sheen <input type="checkbox"/> A	+\$0
ED	aged cherry <input type="checkbox"/> A	+\$0
EK	medium red walnut <input type="checkbox"/> A	+\$0
G2U	light brown walnut, low sheen <input type="checkbox"/> A	+\$0
G40	dark brown walnut, low sheen <input type="checkbox"/> A	+\$0
UX	walnut on cherry <input type="checkbox"/> A	+\$0

Brabo Lounge Chair *continued*

Premium Veneer - Matte		
<i>For ash (A)</i>		
66A	recograin frosty ash <input type="checkbox"/>	+\$0
677	chocolate ash, matte sheen <input type="checkbox"/>	+\$0
68R	recograin rosewood <input type="checkbox"/>	+\$0
69A	recograin frosty ash <input type="checkbox"/>	+\$0
69R	recograin rosewood <input type="checkbox"/>	+\$0
69T	recograin teak <input type="checkbox"/>	+\$0
6A1	white ash <input type="checkbox"/>	+\$0
6K1	rift oak <input type="checkbox"/>	+\$0
6K6	burnt oak <input type="checkbox"/>	+\$0
ET	clear on ash <input type="checkbox"/>	+\$0
EU	oak on ash <input type="checkbox"/>	+\$0
EV	walnut on ash <input type="checkbox"/>	+\$0
GOU	natural walnut, flat cut, matte sheen <input type="checkbox"/>	+\$0

Anigre Veneer - Low Sheen		
<i>For ash (A)</i>		
967	smoked paldao, low sheen <input type="checkbox"/>	+\$0
969	warm paldao, low sheen <input type="checkbox"/>	+\$0

RecoGrain Veneer		
<i>For ash (A)</i>		
66G	recograin wenge <input type="checkbox"/>	+\$0
68W	recograin walnut, flat cut, matte sheen <input type="checkbox"/>	+\$0
69G	recograin wenge, quarter cut, matte sheen <input type="checkbox"/>	+\$0
69W	recograin walnut, quarter cut, matte sheen <input type="checkbox"/>	+\$0

Recon Veneer -		
<i>For ash (A)</i>		
98W	recograin walnut, flat cut, low sheen <input type="checkbox"/>	+\$0
99G	recograin wenge, quarter cut, low sheen <input type="checkbox"/>	+\$0
99W	recograin walnut, quarter cut, low sheen <input type="checkbox"/>	+\$0

Premium Veneer - Low Sheen		
<i>For walnut (W)</i>		
962	toasted walnut, low sheen <input type="checkbox"/>	+\$0
963	charred walnut, low sheen <input type="checkbox"/>	+\$0
964	bronzed walnut, low sheen <input type="checkbox"/>	+\$0
965	smoked walnut, low sheen <input type="checkbox"/>	+\$0
966	coffee walnut, low sheen <input type="checkbox"/>	+\$0
972	sundance walnut <input type="checkbox"/>	+\$0
98R	recograin rosewood <input type="checkbox"/>	+\$0
99R	recograin rosewood <input type="checkbox"/>	+\$0
EK	medium red walnut <input type="checkbox"/>	+\$0
G2U	light brown walnut, low sheen <input type="checkbox"/>	+\$0
G40	dark brown walnut, low sheen <input type="checkbox"/>	+\$0

Premium Veneer - Matte		
<i>For walnut (W)</i>		
662	toasted walnut, matte sheen <input type="checkbox"/>	+\$0
663	charred walnut, matte sheen <input type="checkbox"/>	+\$0
664	bronzed walnut, matte sheen <input type="checkbox"/>	+\$0
665	smoked walnut, matte sheen <input type="checkbox"/>	+\$0
666	coffee walnut, matte sheen <input type="checkbox"/>	+\$0
669	warm paldao, quarter cut, matte sheen <input type="checkbox"/>	+\$0
68R	recograin rosewood <input type="checkbox"/>	+\$0
69R	recograin rosewood <input type="checkbox"/>	+\$0
GOU	natural walnut, flat cut, matte sheen <input type="checkbox"/>	+\$0

Anigre Veneer - Low Sheen		
<i>For walnut (W)</i>		
967	smoked paldao, low sheen <input type="checkbox"/>	+\$0
969	warm paldao, low sheen <input type="checkbox"/>	+\$0

RecoGrain Veneer		
<i>For walnut (W)</i>		
66G	recograin wenge <input type="checkbox"/>	+\$0
69G	recograin wenge <input type="checkbox"/>	+\$0

<i>For walnut (W)</i>		
96G	wenge recograin, quarter cut, low sheen <input type="checkbox"/>	+\$0
99G	recograin wenge, quarter cut, low sheen <input type="checkbox"/>	+\$0

Step 4. Seat/Back Fabric	
Price Category (Geiger) 2	+\$0
Price Category 1	+\$0
Price Category 2	+\$97
Price Category (Geiger) 3	+\$122
Price Category 3	+\$122
Price Category (Geiger) 4	+\$149
Price Category 4	+\$149
Price Category (Geiger) 5	+\$217
Price Category 5	+\$217
Price Category (Geiger) 6	+\$285
Price Category (Geiger) 7	+\$353
Price Category (Geiger) 8	+\$540
Price Category 9	+\$670
Price Category (Geiger) 10	+\$771
Price Category (Geiger) 11	+\$864
Price Category 11	+\$864
Price Category (Geiger) 14	+\$0
Price Category (Geiger) C	+\$108
Price Category (Geiger) D	+\$145
Price Category (Geiger) E	+\$176

Brabo Lounge Chair *continued*

Price Category (Geiger) F	+\$211
Price Category (Geiger) G	+\$287
Price Category (Geiger) H	+\$357
Price Category (Geiger) I	+\$431
Price Category (Geiger) J	+\$505
Price Category (Geiger) K	+\$579
Price Category (Geiger) L	+\$654
Price Category (Geiger) M	+\$728
Price Category (Geiger) N	+\$802
Price Category (Geiger) O	+\$876
Price Category (Geiger) P	+\$948
Price Category (Geiger) Q	+\$1094
Price Category (Geiger) R	+\$1525
Price Category (Geiger) S	+\$1638
Price Category (Geiger) T	+\$1751
Price Category (Geiger) U	+\$1865
Price Category (Geiger) X	+\$2205
Price Category (Geiger) Y	+\$2318
Price Category (Geiger) COL <input type="checkbox"/>	+\$108
Price Category (Geiger) COM <input type="checkbox"/>	+\$0

Step 5. Sling/Arm Leather

Price Category (Geiger) 11	+\$648
Price Category 11	+\$648

Step 6. Base Finish

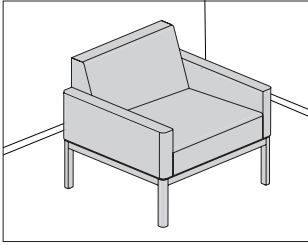
CHR chrome <input type="checkbox"/>	+\$0
SAC satin chrome <input type="checkbox"/>	+\$0

Step 7. Fire Retardancy

NOCAL no cal-133 required <input type="checkbox"/>	+\$0
---	------

Wood Base Club Chair

TT1AA
TT1AW



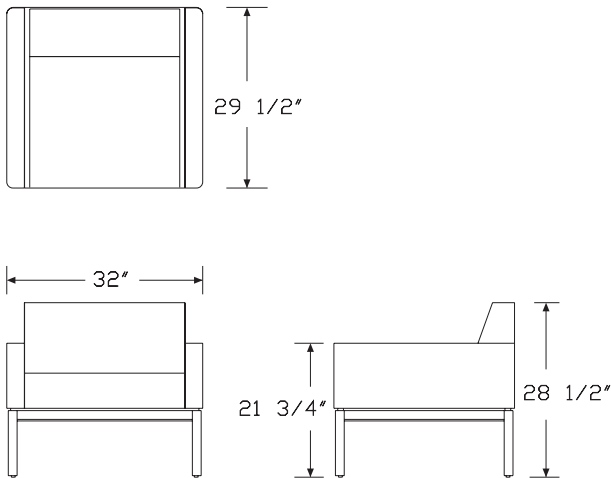
HermanMiller Collection—Lounge Seating

Product Information

Description
This club chair has a polyurethane foam and Dacron® seat with a solid wood base. Base comes in ash or walnut.

Notes
Fire retardant chair meets CAL 133 requirements.
Customers Own Material (COM) requires 3¼ yards. Customers Own Leather (COL) requires 59 square feet. See Order Information in appendices.

Dimensions



Specification Information

Step 1.

TT1

Step 2. Arms

A arms

Step 3. Wood Finish

A ash

W walnut

Prices for Steps 1-3.

TT1AA \$2604

TT1AW \$2711

Step 4. Upholstery

Price Category (Geiger) G +\$368

Price Category (Geiger) COL +\$234

Price Category (Geiger) COM +\$0

Price Category 1 +\$0

Price Category (Geiger) 2 +\$158

Price Category 2 +\$158

Price Category (Geiger) 3 +\$198

Price Category 3 +\$198

Price Category (Geiger) 4 +\$242

Price Category 4 +\$242

Price Category (Geiger) 5 +\$352

Price Category 5 +\$352

Price Category (Geiger) 6 +\$465

Price Category (Geiger) 7 +\$573

Price Category (Geiger) 8 +\$878

Price Category (Geiger) 10 +\$1253

Price Category (Geiger) 11 +\$1403

Price Category 11 +\$1403

Step 5. Leg Finish

Low Sheen Finishes (on Ash)

For ash (A)

967 smoked paldao, low sheen +\$0

969 warm paldao, low sheen +\$0

Wood Base Club Chair *continued*

Low Sheen Finishes (on Ash)

For ash (A)

G2U	light brown walnut, low sheen [A]	+\$0
G40	dark brown walnut, low sheen [A]	+\$0
940	sundance cherry on maple [A]	+\$0
943	caramel cherry [A]	+\$0
946	cocoa cherry [A]	+\$0
956	cocoa sapele [A]	+\$0
962	toasted walnut, low sheen [A]	+\$0
963	charred walnut, low sheen [A]	+\$0
964	bronzed walnut, low sheen [A]	+\$0
965	smoked walnut, low sheen [A]	+\$0
966	coffee walnut, low sheen [A]	+\$0
977	chocolate ash, low sheen [A]	+\$0
98R	recograin rosewood [A]	+\$0
991	champagne ash [A]	+\$0
998	ebony ash [A]	+\$0
99A	recograin frosty ash [A]	+\$0
99R	recograin rosewood [A]	+\$0
99T	recograin teak [A]	+\$0
9A1	white ash, quarter cut, low sheen [A]	+\$0
9K1	rift oak, rift cut, low sheen [A]	+\$0
9K6	burnt oak, rift cut, low sheen [A]	+\$0
ED	aged cherry [A]	+\$0
EK	medium red walnut [A]	+\$0
UX	walnut on cherry [A]	+\$0

Matte Sheen Finishes (on Ash)

For ash (A)

66A	recograin frosty ash [A]	+\$0
677	chocolate ash, matte sheen [A]	+\$0
68R	recograin rosewood [A]	+\$0
69A	recograin frosty ash [A]	+\$0
69R	recograin rosewood [A]	+\$0
69T	recograin teak [A]	+\$0
6A1	white ash [A]	+\$0
6K1	rift oak [A]	+\$0
6K6	burnt oak [A]	+\$0
ET	clear on ash [A]	+\$0
EU	oak on ash [A]	+\$0
EV	walnut on ash [A]	+\$0
GOU	natural walnut, flat cut, matte sheen [A]	+\$0

Matte Sheen Finishes (on Ash)

For ash (A)

66G	recograin wenge [A]	+\$0
68W	recograin walnut, flat cut, matte sheen [A]	+\$0
69G	recograin wenge [A]	+\$0
69W	recograin walnut, quarter cut, matte sheen [A]	+\$0

Low Sheen Finishes (on Ash)

For ash (A)

98W	recograin walnut, flat cut, low sheen [A]	+\$0
99G	recograin wenge, quarter cut, low sheen [A]	+\$0
99W	recograin walnut, quarter cut, low sheen [A]	+\$0

Low Sheen Finishes (on Walnut)

For walnut (W)

967	smoked paldao, low sheen [A]	+\$0
969	warm paldao, low sheen [A]	+\$0

Low Sheen Finishes (on Walnut)

For walnut (W)

962	toasted walnut, low sheen [A]	+\$0
963	charred walnut, low sheen [A]	+\$0
964	bronzed walnut, low sheen [A]	+\$0
965	smoked walnut, low sheen [A]	+\$0
966	coffee walnut, low sheen [A]	+\$0
972	sundance walnut [A]	+\$0
98R	recograin rosewood [A]	+\$0
99R	recograin rosewood [A]	+\$0
EK	medium red walnut [A]	+\$0
G2U	light brown walnut, low sheen [A]	+\$0
G40	dark brown walnut, low sheen [A]	+\$0

Low Sheen Finishes (on Walnut)

For walnut (W)

96G	wenge recograin, quarter cut, low sheen [A]	+\$0
99G	recograin wenge, quarter cut, low sheen [A]	+\$0

Wood Base Club Chair *continued*

HermanMiller Collection—Lounge Seating

Matte Sheen Finishes (on Walnut)

For walnut (W)

662	toasted walnut, matte sheen	<input type="checkbox"/> A	+\$0
663	charred walnut, matte sheen	<input type="checkbox"/> A	+\$0
664	bronzed walnut, matte sheen	<input type="checkbox"/> A	+\$0
665	smoked walnut, matte sheen	<input type="checkbox"/> A	+\$0
666	coffee walnut, matte sheen	<input type="checkbox"/> A	+\$0
667	smoked paldao, quarter cut, matte sheen	<input type="checkbox"/> A	+\$0
669	warm paldao, quarter cut, matte sheen	<input type="checkbox"/> A	+\$0
68R	recograin rosewood	<input type="checkbox"/> A	+\$0
69R	recograin rosewood	<input type="checkbox"/> A	+\$0
GOU	natural walnut, flat cut, matte sheen	<input type="checkbox"/> A	+\$0

Matte Sheen Finishes (on Walnut)

For walnut (W)

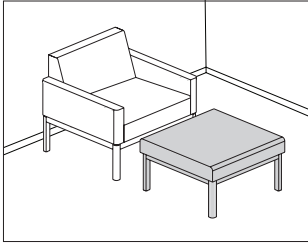
66G	recograin wenge	<input type="checkbox"/> A	+\$0
69G	recograin wenge	<input type="checkbox"/> A	+\$0

Step 6. Fire Retardancy

NOCAL	no cal-133 required	<input type="checkbox"/> A	+\$0
--------------	---------------------	----------------------------	------

Wood Base Ottoman

TT1BA
TT1BW



Product Information

Description

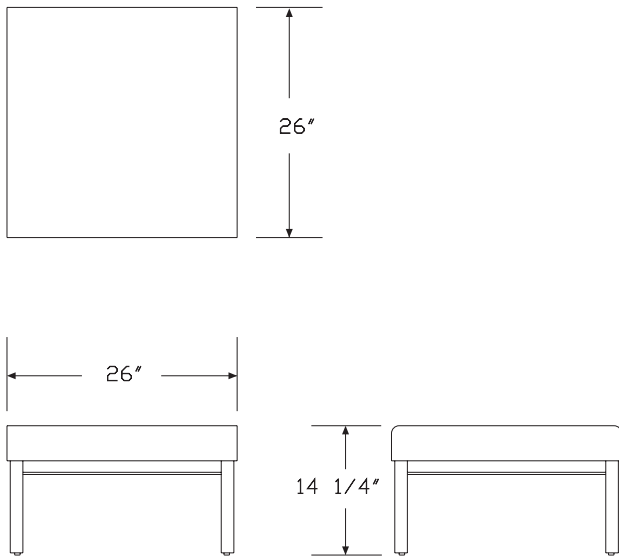
This 14 1/4" high ottoman has a polyurethane foam and Dacron® seat with a solid wood base. Base comes in ash or walnut.

Notes

Fire retardant ottoman meets CAL 133 requirements.

Customers Own Material (COM) requires 1 1/2 yards. Customers Own Leather (COL) requires 35 square feet. See Order Information in appendices.

Dimensions



Specification Information

Step 1.

TT1B

Step 2. Wood Finish

A ash

W walnut

Prices for Steps 1-2.

TT1BA \$1353
TT1BW \$1454

Step 3. Upholstery

Price Category (Geiger) COL +\$108
Price Category (Geiger) COM +\$0
Price Category 1 +\$0
Price Category (Geiger) 2 +\$74
Price Category 2 +\$74
Price Category (Geiger) 3 +\$92
Price Category 3 +\$92
Price Category (Geiger) 4 +\$112
Price Category 4 +\$112
Price Category (Geiger) 5 +\$163
Price Category 5 +\$163
Price Category (Geiger) 6 +\$215
Price Category (Geiger) 7 +\$265
Price Category (Geiger) 8 +\$405
Price Category (Geiger) 10 +\$578
Price Category (Geiger) 11 +\$648
Price Category 11 +\$648
Price Category (Geiger) G +\$216
Price Category (Geiger) F +\$159

Step 4. Leg Finish

Low Sheen Finishes (on Ash)

For ash (A)

967 smoked paldao, low sheen +\$0
969 warm paldao, low sheen +\$0

Low Sheen Finishes (on Ash)		
<i>For ash (A)</i>		
940	sundance cherry on maple A	+\$0
943	caramel cherry A	+\$0
946	cocoa cherry A	+\$0
956	cocoa sapele A	+\$0
962	toasted walnut, low sheen A	+\$0
963	charred walnut, low sheen A	+\$0
964	bronzed walnut, low sheen A	+\$0
965	smoked walnut, low sheen A	+\$0
966	coffee walnut, low sheen A	+\$0
977	chocolate ash, low sheen A	+\$0
98R	recograin rosewood A	+\$0
991	champagne ash A	+\$0
998	ebony ash A	+\$0
99A	recograin frosty ash A	+\$0
99R	recograin rosewood A	+\$0
99T	recograin teak A	+\$0
9A1	white ash, quarter cut, low sheen A	+\$0
9K1	rift oak, rift cut, low sheen A	+\$0
9K6	burnt oak, rift cut, low sheen A	+\$0
ED	aged cherry A	+\$0
EK	medium red walnut A	+\$0
G2U	light brown walnut, low sheen A	+\$0
G40	dark brown walnut, low sheen A	+\$0
UX	walnut on cherry A	+\$0

Low Sheen Finishes (on Ash)		
<i>For ash (A)</i>		
98W	recograin walnut, flat cut, low sheen A	+\$0
99G	recograin wenge, quarter cut, low sheen A	+\$0
99W	recograin walnut, quarter cut, low sheen A	+\$0

Matte Sheen Finishes (on Ash)		
<i>For ash (A)</i>		
66A	frosty ash recograin, quarter cut, matte sheen A	+\$0
677	chocolate ash, matte sheen A	+\$0
68R	recograin rosewood A	+\$0
69A	recograin frosty ash A	+\$0
69R	recograin rosewood A	+\$0
69T	recograin teak A	+\$0
6A1	white ash A	+\$0
6K1	rift oak A	+\$0
6K6	burnt oak A	+\$0
ET	clear on ash A	+\$0
EU	oak on ash A	+\$0
EV	walnut on ash A	+\$0
GOU	natural walnut, flat cut, matte sheen A	+\$0

Matte Sheen Finishes (on Ash)		
<i>For ash (A)</i>		
66G	recograin wenge A	+\$0
68W	recograin walnut, flat cut, matte sheen A	+\$0
69G	recograin wenge A	+\$0
69W	recograin walnut, quarter cut, matte sheen A	+\$0

Low Sheen Finishes (on Walnut)		
<i>For walnut (W)</i>		
967	smoked paldao, low sheen A	+\$0
969	warm paldao, low sheen A	+\$0

Low Sheen Finishes (on Walnut)		
<i>For walnut (W)</i>		
962	toasted walnut, low sheen A	+\$0
963	charred walnut, low sheen A	+\$0
964	bronzed walnut, low sheen A	+\$0
965	smoked walnut, low sheen A	+\$0
966	coffee walnut, low sheen A	+\$0
972	sundance walnut A	+\$0
98R	recograin rosewood A	+\$0
99R	recograin rosewood A	+\$0
EK	medium red walnut A	+\$0
G2U	light brown walnut, low sheen A	+\$0
G40	dark brown walnut, low sheen A	+\$0

Low Sheen Finishes (on Walnut)		
<i>For walnut (W)</i>		
96G	wenge recograin, quarter cut, low sheen A	+\$0
99G	recograin wenge, quarter cut, low sheen A	+\$0

Wood Base Ottoman *continued*

Matte Sheen Finishes (on Walnut)

For walnut (W)

662	toasted walnut, matte sheen	<input type="checkbox"/> A	+\$0
663	charred walnut, matte sheen	<input type="checkbox"/> A	+\$0
664	bronzed walnut, matte sheen	<input type="checkbox"/> A	+\$0
665	smoked walnut, matte sheen	<input type="checkbox"/> A	+\$0
666	coffee walnut, matte sheen	<input type="checkbox"/> A	+\$0
667	smoked paldao, quarter cut, matte sheen	<input type="checkbox"/> A	+\$0
669	warm paldao, quarter cut, matte sheen	<input type="checkbox"/> A	+\$0
68R	recograin rosewood	<input type="checkbox"/> A	+\$0
69R	recograin rosewood	<input type="checkbox"/> A	+\$0
GOU	natural walnut, flat cut, matte sheen	<input type="checkbox"/> A	+\$0

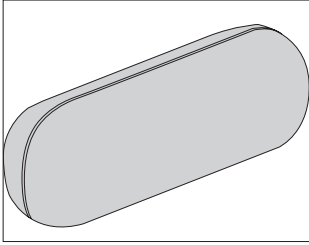
Matte Sheen Finishes (on Walnut)

For walnut (W)

66G	recograin wenge	<input type="checkbox"/> A	+\$0
69G	recograin wenge	<input type="checkbox"/> A	+\$0

Step 5. Fire Retardancy

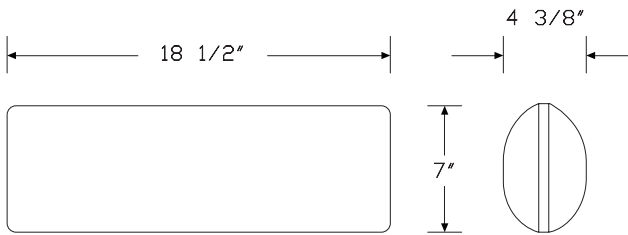
NOCAL	no cal-133 required	<input type="checkbox"/> A	+\$0
--------------	---------------------	----------------------------	------



Product Information

Description
 This cushion is expanded polyurethane with removable fabric cover.

Dimensions



Specification Information

Step 1.
SD2274 A \$320

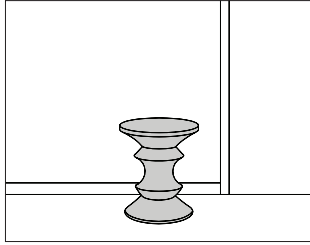
Step 2. Upholstery

Price Category (Magis) 1 +\$0
 Price Category (Magis) 2 +\$60
 Price Category G +\$60
 Price Category H +\$60

HermanMiller Collection—Lounge Seating

Eames® Walnut Stool

411
412
413

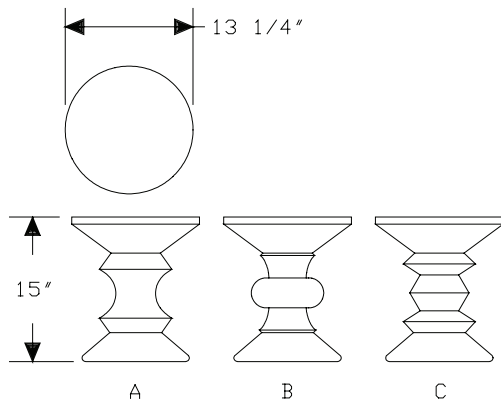


Product Information

Description

This solid walnut stool is available with 3 base shapes.

Dimensions



Specification Information

Step 1.

41 A

Step 2. Shape

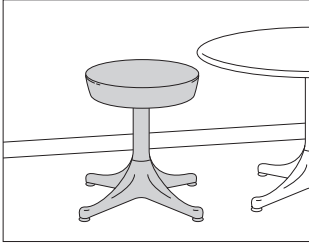
1 a shape A

2 b shape A

3 c shape A

Prices for Steps 1-2.

411	\$1206
412	\$1206
413	\$1206



Product Information

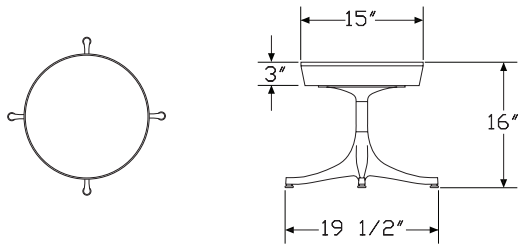
Description

This 16"-high stool has a 4-star, aluminum base with adjustable glides and a 3"-thick upholstered foam seat.

Notes

Customers Own Material (COM) requires 1 yard.

Dimensions



HermanMiller Collection—Stools

Specification Information

Step 1.

PS16 A \$933

Step 2. Base Finish

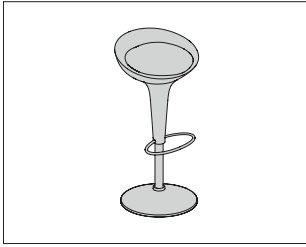
91	white	A	+\$0
98	studio white	A	+\$0
BK	black	A	+\$0
L	polished aluminum	A	+\$0

Step 3. Fabric

Price Category 1	+\$0
Price Category 2	+\$30
Price Category 3	+\$57
Price Category (Geiger) 3	+\$57
Price Category 4	+\$86
Price Category (Geiger) 4	+\$86
Price Category 5	+\$133
Price Category (Geiger) 5	+\$101
Price Category 6	+\$0
Price Category (Geiger) 6	+\$112
Price Category 7	+\$181
Price Category (Geiger) 7	+\$181
Price Category 8	+\$206
Price Category (Geiger) 8	+\$206
Price Category (Geiger) 9	+\$206
Price Category (Geiger) 10	+\$196
Price Category 11	+\$342
Price Category C	+\$57
Price Category F	+\$92
Price Category G	+\$119
Price Category H	+\$145
Price Category I	+\$170
Price Category J	+\$196
Price Category K	+\$221
Price Category L	+\$247
Price Category M	+\$272
Price Category N	+\$298
Price Category Q	+\$375
Price Category X	+\$968
Price Category Y	+\$1019

Al Bombo® Stool

MGB20.



Product Information

Description

This swivel bar stool has an adjustable height with gas piston. The base, frame, footrest and handle are stainless steel. The seat is polished die-cast aluminum.

Notes

Stool is flame retardant.

Dimensions

Specification Information

Step 1.

MGB20. [A]

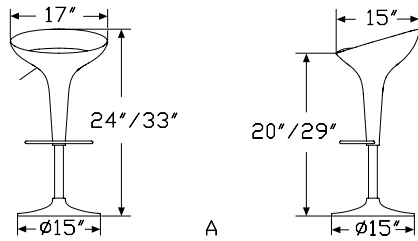
Step 2. Height Adjustment

A adjustable height [A]

Prices for Steps 1-2.

MGB20.A

\$1559



Al Bombo® Kit

MGB90.

Product Information

Description

This care kit is recommended to maintain brilliance of aluminum, which is likely to dull overtime.

Notes

Care kit contains:

- 1 tube of abrasive paste (250 gr.)
- 1 tube of protection paste (250 gr.)
- 1 set of special cleaning paper

Specification Information

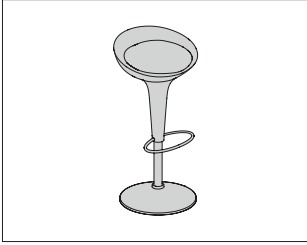
Step 1.

MGB90. A

\$168

Bombo® Stool

MGB21.

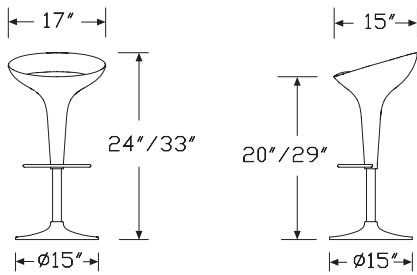


Product Information

Description

This swivel bar stool has an adjustable height with gas piston. The base is steel finished in chrome, and the seat is ABS.

Dimensions



Specification Information

Step 1.

MGB21.

Step 2. Height Adjustment

A adjustable height

Prices for Steps 1-2.

MGB21.A \$896

Step 3. Seat Finish

YDF	brown <input type="checkbox"/>	+\$0
YDM	grey anthracite <input type="checkbox"/>	+\$0
YDT	red <input type="checkbox"/>	+\$0
YDW	white <input type="checkbox"/>	+\$0

Herman Miller Collection—Stools

Deja-Vu Stool

MGD20.



HermanMiller Collection—Stools

Product Information

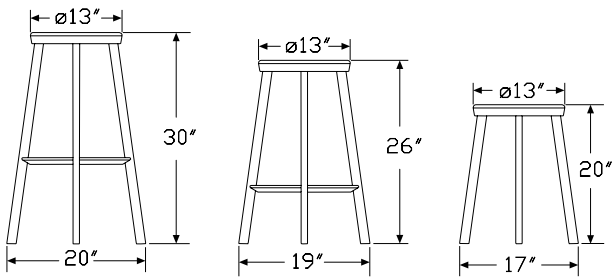
Description

This bar stool is available in a high, medium, and low height. The seat and leg finishes are available in black, white, polished aluminum, red purple and sand beige.

Notes

Black (YFB) finish is suitable for outdoor use.
 Polished aluminum (YFD) finish is NOT suitable for outdoor use.

Dimensions



Specification Information

Step 1.

MGD20. A

Step 2. Height

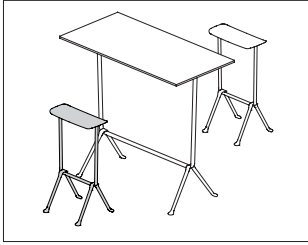
- L** low height A
- M** medium height
- H** high height

Prices for Steps 1-2.

MGD20.L	\$389
M	\$511
H	\$533

Step 3. Seat/Leg Finish

		L	M	H
YFB	black <input type="checkbox"/> A	+\$0	0	0
YFD	polished aluminum <input type="checkbox"/> A	+\$101	102	92
YLT	red purple <input type="checkbox"/> A	+\$0	0	0
YLV	sand beige <input type="checkbox"/> A	+\$0	0	0

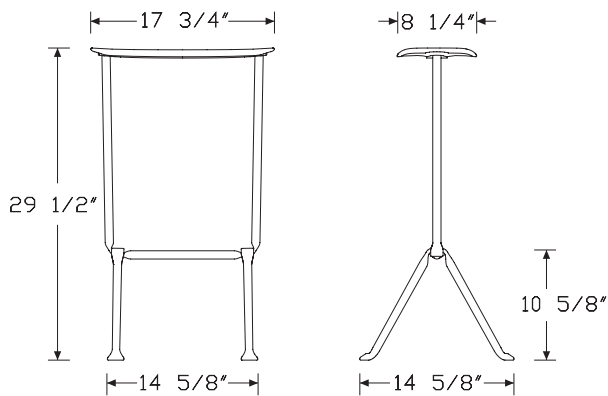


Product Information

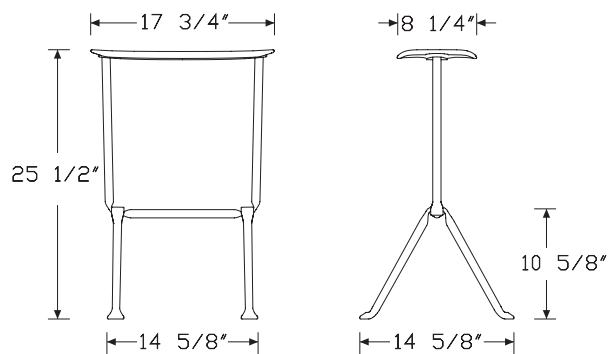
Description

This stool has a wrought iron frame available in a galvanized or painted grey anthracite finish. It is available in high and medium heights. The seat is polypropylene, beech plywood, fabric or leather available in several colors. Stool sold individually. Ships assembled.

Dimensions



High height



Medium height

Specification Information

Step 1.

SD207X

Step 2. Height

H high height

M medium height

Step 3. Seat

F fabric upholstery

L leather upholstery

P polypropylene

W plywood

Prices for Steps 1-3.

	F	L	P	W
SD207X H	\$1089	1169	649	719
M	\$1069	1149	629	699

Step 4. Frame Finish

GLV galvanized +\$0

YCB grey anthracite +\$0

Step 5. Seat Finish

For polypropylene (P)

DKG dark green +\$0

MTG metallized grey +\$0

YCB grey anthracite +\$0

For leather upholstery (L)

YNL natural +\$0

BLK black +\$0

For plywood (W)

YNC natural beech +\$0

YNM black beech +\$0

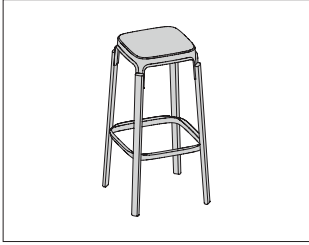
For fabric upholstery (F)

Price Category G +\$0

Price Category H +\$0

Steelwood Stool

MGS20.

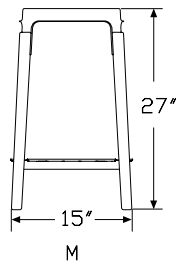
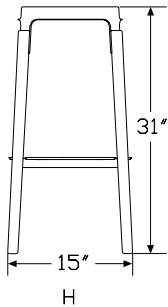
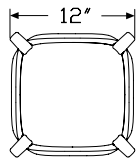
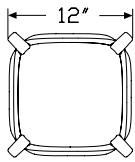


Product Information

Description

This bar stool is natural beech or oak and comes in high and medium height. The seat and footrest consist of steel plates painted in epoxy resin. The legs are solid beech or oak, available in natural or painted.

Dimensions



HermanMiller Collection-Stools

Specification Information

Step 1.

MGS20.

Step 2. Height

M medium height

H high height

Prices for Steps 1-2.

MGS20.M	\$600
H	\$620

Step 3. Leg/Seat/Footrest Finish

YHH	grey anthracite <input type="checkbox"/>	+\$0
YMB	black <input type="checkbox"/>	+\$0
YMF	white <input type="checkbox"/>	+\$0
YMK	natural beech and black <input type="checkbox"/>	+\$0
YMP	grey <input type="checkbox"/>	+\$0
YMM	natural beech and white	+\$0
YNP	dark beech and black <input type="checkbox"/>	+\$0
YNQ	natural oak and white <input type="checkbox"/>	+\$80
YNR	natural oak and black	+\$80
YNS	natural oak and grey <input type="checkbox"/>	+\$80
YNT	dark oak and grey anthracite <input type="checkbox"/>	+\$80
YWF	walnut and black	+\$150



Product Information

Description

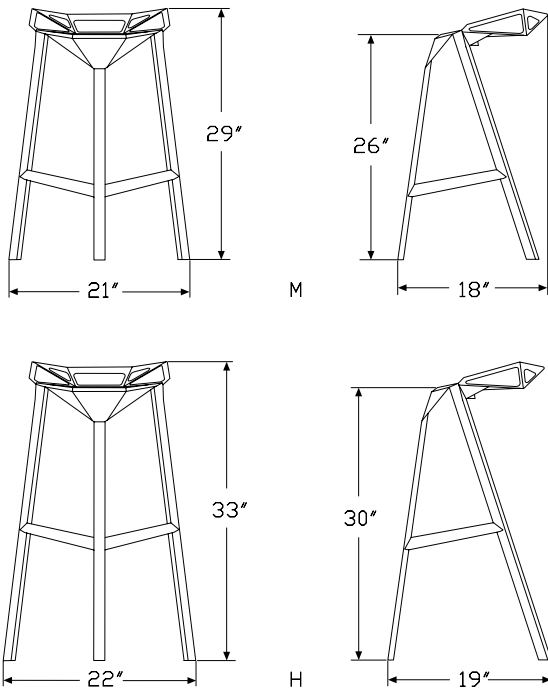
This bar stool comes in a high and medium height. The seat and leg finishes available are painted aluminum, polished aluminum and anodized aluminum black. Bar stools can stack up to 4 high. Package contains 2 bar stools.

Notes

Stool is flame retardant.

Polished aluminum (AL) finish is NOT suitable for outdoor use.

Dimensions



Specification Information

Step 1.

MGE20. [A]

Step 2. Height

M medium height [A]

H high height [A]

Step 3. Seat/Leg Material

AM painted aluminum [A]

AB anodized aluminum black [A]

AL polished aluminum [A]

Prices for Steps 1-3.

	AM	AB	AL
MGE20.M	\$965	1017	1545
H	\$1028	1071	1609

Step 4. Seat/Leg Finish

For painted aluminum (AM)

YHM red [A]			+\$0
YHP white [A]			+\$0
HAA ADAPTA grey [A]			+\$240
HAB ADAPTA white [A]			+\$240
HAC ADAPTA grey/green [A]			+\$240
HAD ADAPTA blue [A]			+\$240

For anodized aluminum black (AB)

YHB black [A]			+\$0
----------------------	--	--	------

For anodized aluminum black (AB)

YHB black [A]			+\$0
----------------------	--	--	------

Stool_One Cushion

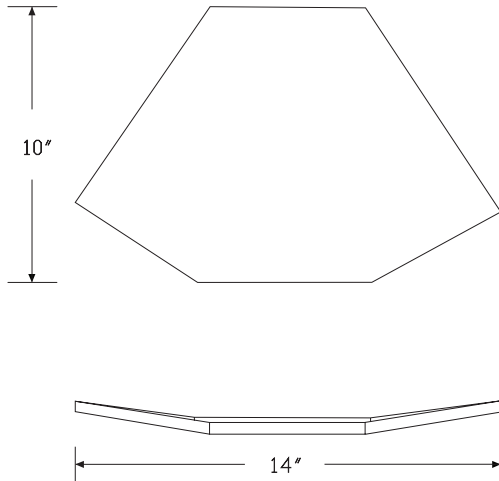
MGE91.



Product Information

Description
 This cushion works on Stool_One. Package contains 2 seat cushions.

Dimensions



HermanMiller Collection-Stools

Specification Information

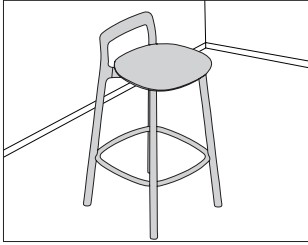
Step 1.
MGE91. A \$317

Step 2. Fabric

YHC	black leather <input type="checkbox"/> A	+\$257
YHK	natural leather <input type="checkbox"/> A	+\$257
SD1	Steelcut Trio Orange <input type="checkbox"/> A	+\$0
SD2	Steelcut Trio light blue <input type="checkbox"/> A	+\$0
SD3	Steelcut Trio beige <input type="checkbox"/> A	+\$0
SD4	Steelcut Trio green <input type="checkbox"/> A	+\$0
SD5	Steelcut Tro yellow <input type="checkbox"/> A	+\$0
SD6	Steelcut Trio light grey <input type="checkbox"/> A	+\$0
SD7	Steelcut Trio dark brown <input type="checkbox"/> A	+\$0

Branca Stool

MGR20.

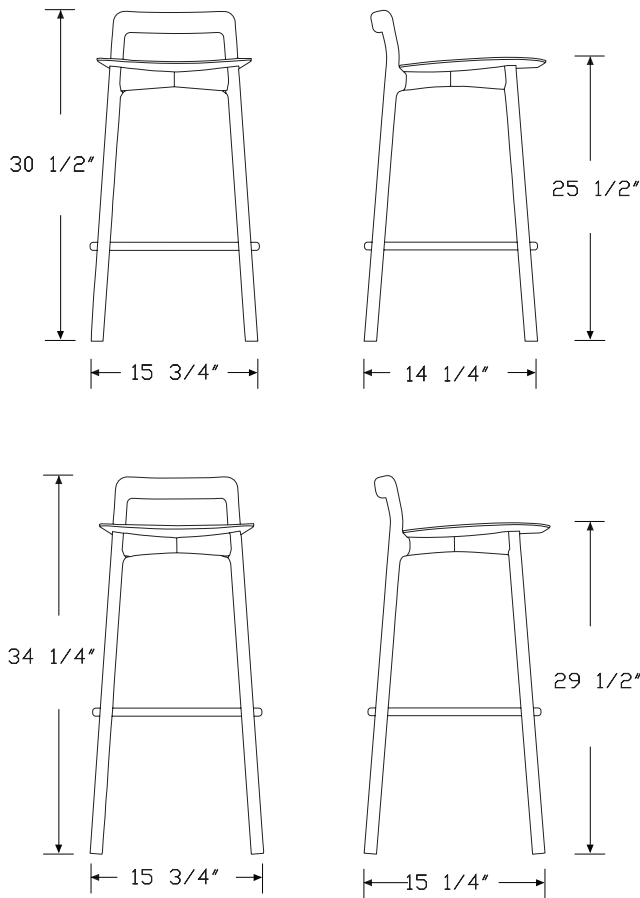


Product Information

Description

This stool has an ash frame and comes in 2 heights and 5 finishes. The foot ring is painted metal in black or white. Upholstered seat cushion is removable.

Dimensions



Specification Information

Step 1.

MGR20.

Step 2. Stool Height

M medium height

H high height

Step 3. Upholstery

N no upholstery

U upholstered seat

Prices for Steps 1-3.

	N	U
MGR20.M	\$1109	1659
H	\$1129	1679

Step 4. Leg/Seat Finish

YRC chocolate/natural seat ash +\$0

YRD green wax ash +\$0

YRF natural wax ash +\$0

YRG white anilin ash +\$0

YRH black mat anilin ash +\$0

Step 5. Stool Ring Finish

YBC black +\$0

YDW white +\$0

Step 6. Fabric

For upholstered seat (U)

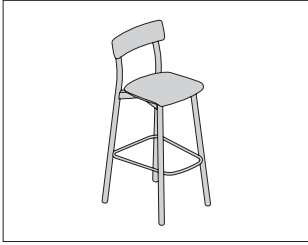
YNV01 novum cocos +\$0

YNV03 novum moss +\$0

YNV05 novum pepper +\$0

Chiara Stool

MGCH03



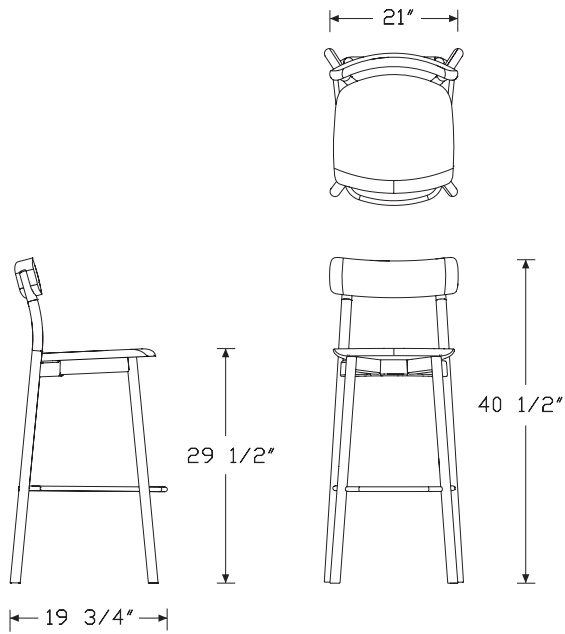
HermanMiller Collection-Stools

Product Information

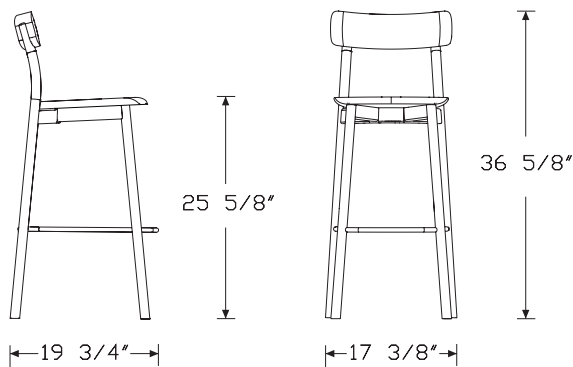
Description

This solid wood stool is available in natural oak or ash in a selection of finishes. It is available in 2 heights with or without a nonremovable upholstered seat pad.

Dimensions



High Height



Medium Height

Specification Information

Step 1.

MGCH03.

Step 2. Height

- H** high height
- M** medium height

Step 3. Arm Option

- N** no arms

Step 4. Upholstery

- N** no upholstery
- U** upholstered seat

Prices for Steps 1-4.

		N	U
MGCH03. H	N	\$1060	1560
	M N	\$1040	1540

Step 5. Frame

YSA	ash	+\$0
YFC	oak	+\$250

Step 6. Finish

For ash (YSA)

YBC	black	+\$0
YBP	white	+\$0
YDC	blue	+\$0
YLW	yellow	+\$0
YMP	grey	+\$0
YNL	natural	+\$0
YRK	dark red	+\$0

For oak (YFC)

YNL	natural	+\$0
------------	---------	------

Chiaro Stool *continued*

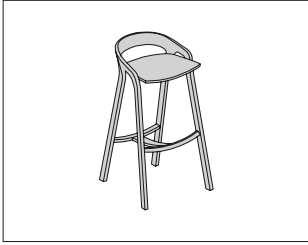
Step 7. Fabric

For upholstered seat (U)

YNV04	novum lanoso	+\$0
YNV06	novum sunset	+\$0
YNV07	novum curry	+\$0
YNV08	novum ebony	+\$0
YNV09	novum azur	+\$0
YNV10	novum coral	+\$0
YNV11	novum kies	+\$0
YNV13	novum magenta	+\$0
YNV14	novum prune	+\$0
YNV15	novum samoa	+\$0
YNV16	novum snow	+\$0
YNV17	novum amur	+\$0

She Said Stool

MGH03.



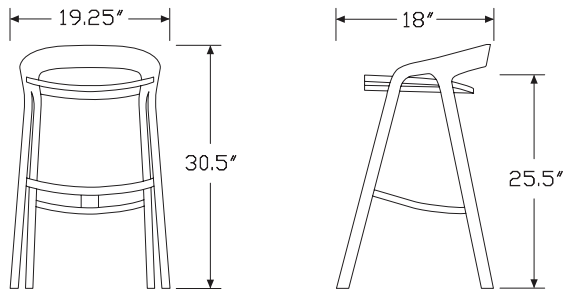
HermanMiller Collection-Stools

Product Information

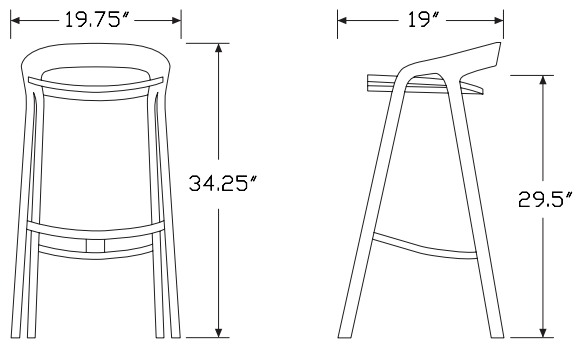
Description
This solid wood stool is available in an ash frame. Seat is available with or without upholstery.

Dimensions

Medium Height



High Height



Specification Information

Step 1.

MGH03.

Step 2. Height

- M** medium height
- H** high height

Step 3. Upholstery

- N** no upholstery
- U** upholstered seat

Prices for Steps 1-3.

	N	U
MGH03.M	\$1475	2273
H	\$1495	2294

Step 4. Frame Finish

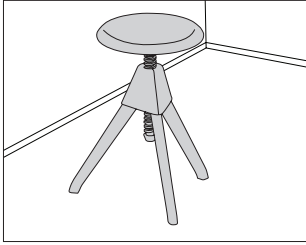
- YQB** black anilin ash +\$0
- YRG** white anilin ash +\$0
- ZQ5** anilin ash neon blue +\$0
- YQC** natural ash +\$60

Step 5. Fabric

- For upholstered seat (U)*
- YDG01** topia ebony +\$0
 - YDG02** topia anthrazit +\$0
 - YDG03** topia chrome +\$0
 - YDG04** topia moon +\$0
 - YDG05** topia snow +\$0
 - YDG06** topia orion +\$0
 - YDG07** topia azur +\$0
 - YDG08** topia seashell +\$0
 - YDG09** topia litchi +\$0
 - YDG10** topia heart +\$0

Tom & Jerry Stool

MGTJ20

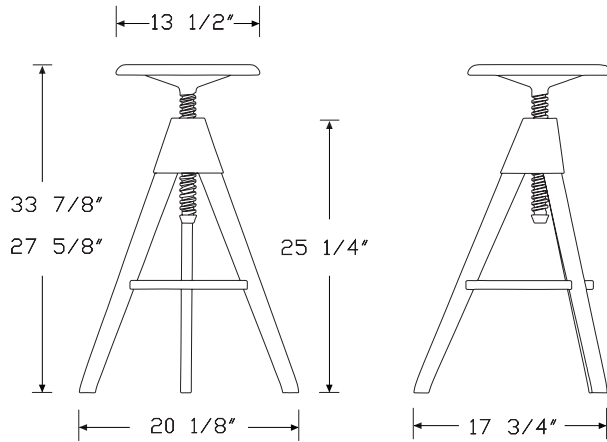


Product Information

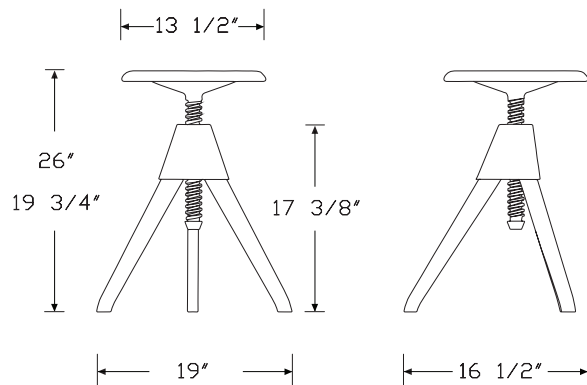
Description

This swivel stool is height adjustable and has a solid beech frame and seat. Frame finish is natural or painted black. Joint and screw are glass filled polypropylene. Seat, joint and screw are available in a range of colors. Available in medium and high heights.

Dimensions



Tom Stool



Jerry Stool

Specification Information

Step 1.

MGTJ20.

Step 2. Height

J medium height A
 T high height

Prices for Steps 1-2.

MGTJ20. J \$620
T \$800

Step 3. Frame Finish

YNL natural A +\$0
YNG black A +\$20

Step 4. Joint and Screw Finish

For natural (YNL)

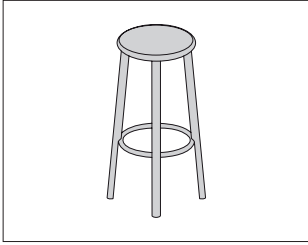
YBP natural seat, white joint +\$0
YBC natural seat, black joint +\$0
YGK red A +\$0
YBH green A +\$0
YLW yellow A +\$0
YPC white A +\$0
YPD black A +\$0
YRM orange A +\$0
YRS light blue A +\$0

For black (YNG)

YBC black A +\$0

Solo Stool

MGZ02.



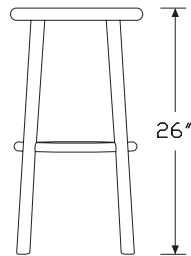
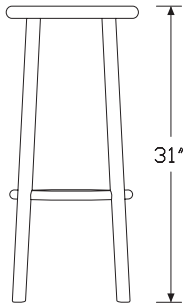
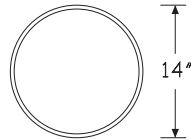
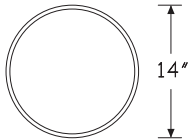
HermanMiller Collection—Stools

Product Information

Description

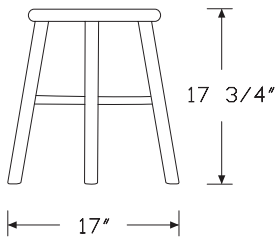
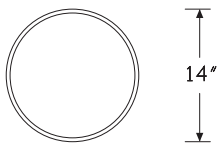
This solid wood stool is available in an ash or oak frame.

Dimensions



High height

Medium height



Low height

Specification Information

Step 1.

MGZ02. A

Step 2. Height

L low height A

M medium height A

H high height A

Step 3. Upholstery

For low height (L)

N no upholstery

For medium height (M) or high height (H)

N no upholstery A

S upholstered seat A

Prices for Steps 1-3.

	N	S
MGZ02.L	\$730	—
M	\$730	930
H	\$730	930

Step 4. Frame Finish

ZQ1 dark red anilin ash <input type="checkbox"/> A	+\$0
ZQA anilin ash blue/black <input type="checkbox"/> A	+\$0
ZQB anilin ash white <input type="checkbox"/> A	+\$0
ZQC anilin ash neon blue <input type="checkbox"/> A	+\$0
ZQM anilin ash turquoise <input type="checkbox"/> A	+\$0
ZQS natural ash <input type="checkbox"/> A	+\$0
ZQU natural oak waxed <input type="checkbox"/> A	+\$150
ZR2 black/blue natural oak <input type="checkbox"/> A	+\$150

Step 5. Fabric

For upholstered seat (S)

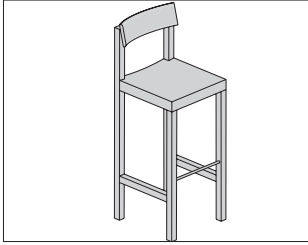
YDD13 white <input type="checkbox"/> A	+\$0
YDD14 red <input type="checkbox"/> A	+\$0
YDD16 dark grey <input type="checkbox"/> A	+\$0
YDD17 black blue <input type="checkbox"/> A	+\$0
YDD19 green <input type="checkbox"/> A	+\$0

Step 6. Stool Ring Finish

ZQ8 black blue <input type="checkbox"/> A	+\$0
ZQ9 grey <input type="checkbox"/> A	+\$0
ZQL white <input type="checkbox"/> A	+\$0
ZQQ red <input type="checkbox"/> A	+\$0

Primo Stool

MC14S.

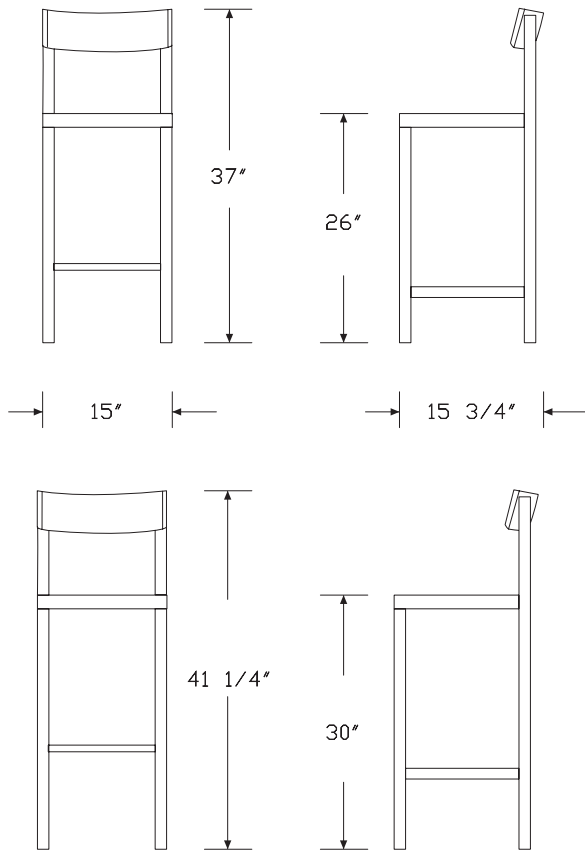


Product Information

Description

This solid wood stool has a beech or oak frame in medium and high heights. A nonremovable upholstered seat pad is available on the oak frame.

Dimensions



Specification Information

Step 1.

MC14S. [A]

Step 2. Stool Height

H high height [A]

M medium height [A]

Step 3. Upholstery

N no upholstery

U upholstered seat [A]

Prices for Steps 1-3.

	N	U
MC14S.H	\$850	1490
M	\$830	1470

Step 4. Frame Finish

For no upholstery (N)

YNC natural beech +\$0

YRB black beech +\$0

For upholstered seat (U)

YFC natural oak [A] +\$640

Step 5. Fabric

For upholstered seat (U)

SL508 sweet leather 508 [A] +\$0

SL510 sweet leather 510 [A] +\$0

SL512 sweet leather 512 [A] +\$0

SLN41 sweet leather N41 [A] +\$0

YLJ dani acquario cuoio leather [A] +\$180

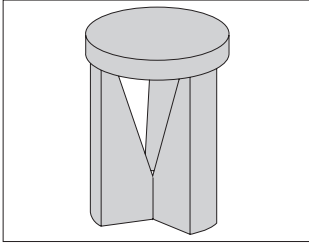
YLK dani acquario marrone 6030 leather [A] +\$180

YLN dani acquario t. moro leather [A] +\$180

YLP dani acquario anthracite leather [A] +\$180

Cugino Stool

MC20

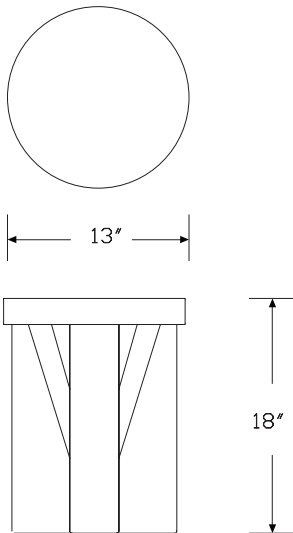


Product Information

Description

This solid wood stool is available in oak with a natural or black finish.

Dimensions



Specification Information

Step 1.

MC20 A \$850

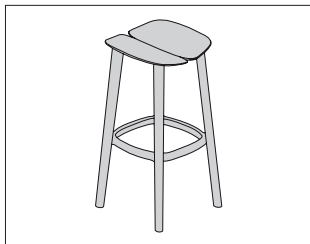
Step 2. Finish

ZQY natural oak A +\$0

ZRD black oak A +\$0

Osso Stool

MGJ01.



Product Information

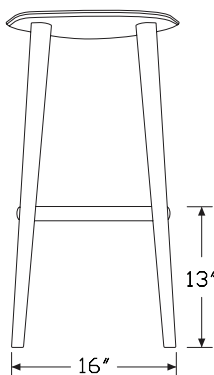
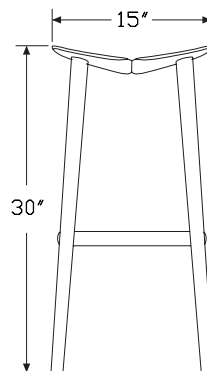
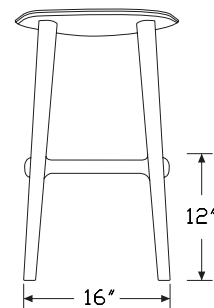
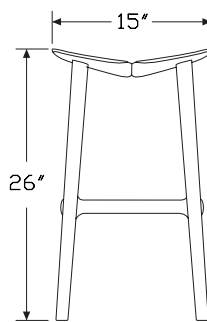
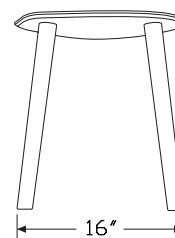
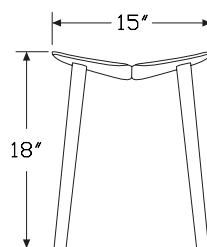
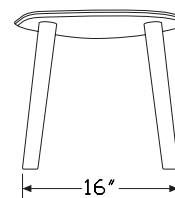
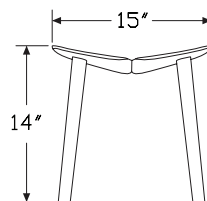
Description

This solid wood stool is available in an ash or oak frame.

Notes

Upholstery not shown.

Dimensions



Herman Miller Collection - Stools

Specification Information

Step 1.

MGJ01. A

Step 2. Height

- 14** 14" high A
- 18** 18" high A
- 26** 26" high A
- 30** 30" high A

Step 3. Upholstery

- N** no upholstery A
- S** upholstered seat A

Prices for Steps 1-3.

	N	S
MGJ01. 14	\$850	1450
18	\$875	1475
26	\$1150	1750
30	\$1175	1775

Step 4. Frame Finish

- YSB** black wax ash A +\$0
- YSC** blue wax ash A +\$0
- YSD** green wax ash A +\$0
- YSF** dark grey wax ash A +\$0
- YSG** natural wax ash A +\$0
- YSH** pink wax ash A +\$0
- YSJ** white wax ash A +\$0
- YSL** natural wax oak A +\$150

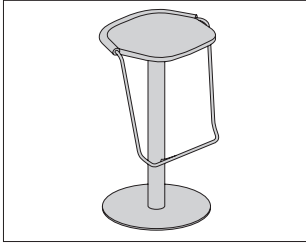
Step 5. Fabric

For upholstered seat (S)

- YGR01** gravel 139 A +\$0
- YGR02** gravel 149 A +\$0
- YGR03** gravel 179 A +\$0

Uncino Stool

MC9S.

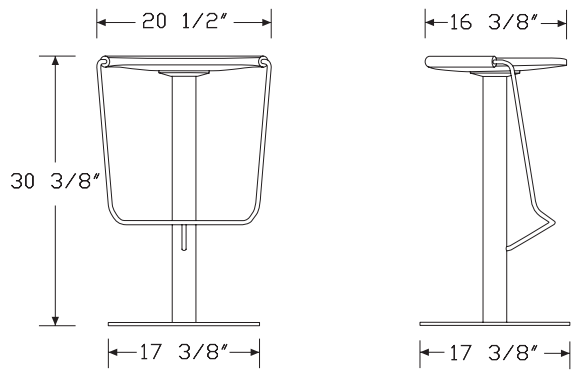


Product Information

Description

This wood stool is available with an ash or oak seat and wire footrest.

Dimensions



Specification Information

Step 1.

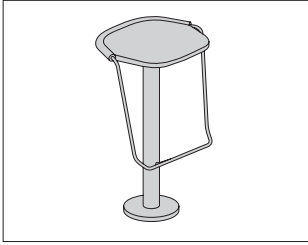
MC9S. A \$1800

Step 2. Finish

YQB black anilin ash A +\$0
YQC natural ash A +\$0
YFC natural oak A +\$180

Uncino Stool, Fixed

MC9F.

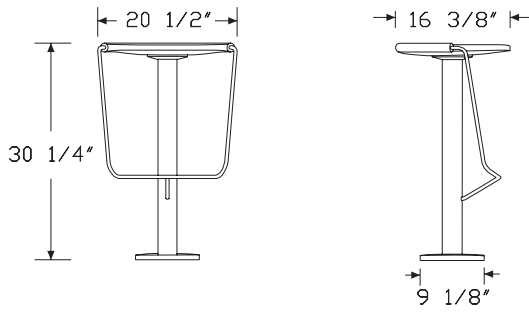


Product Information

Description

This solid wood stool is available with an ash or oak seat and wire footrest. Stool is to be fixed to the floor.

Dimensions



Specification Information

Step 1.

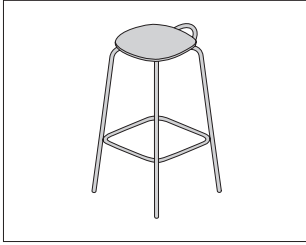
MC9F. [A] \$1900

Step 2. Finish

YQC natural ash [A] +\$0
YQB black anilin ash [A] +\$0
YFC natural oak [A] +\$180

Forcina Stool

MC16S.

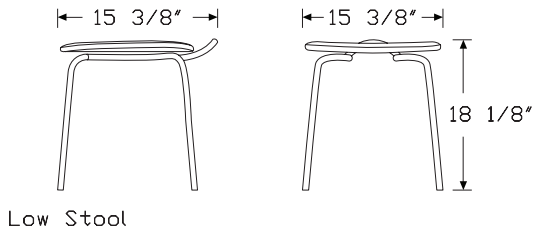


Product Information

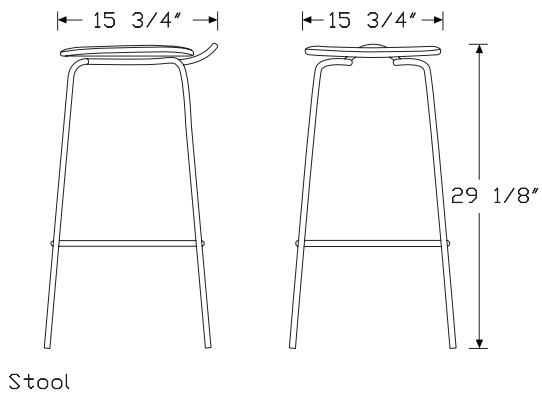
Description

This stool has an oak, ash, or robinia seat. Robinia finish is suitable for outdoor use. Low or high stool stacks up to 3 high. Ships assembled.

Dimensions



Low Stool



Stool

Specification Information

Step 1.

MC16S.

Step 2. Height

H	high height	+\$1025
L	low height	+\$825

Step 3. Frame Finish

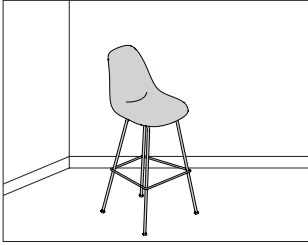
A	black stainless steel	+\$0
N	brushed stainless steel	+\$200

Step 4. Seat and Back Finish

YQB	black anilin ash	+\$0
YQC	natural ash	+\$0
YFC	natural oak	+\$75
YGS	robinia	+\$75

Eames® Molded Fiberglass Stool

DFHBX.
DFHCX.



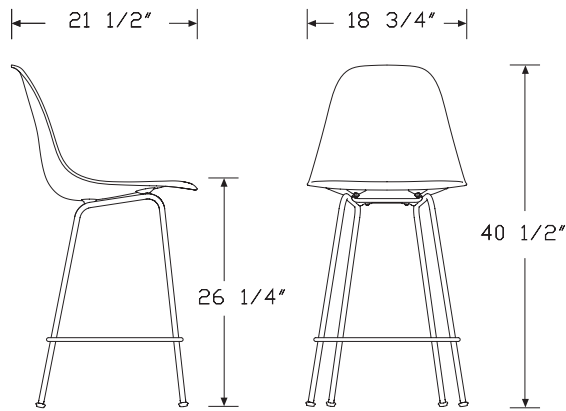
HermanMiller Collection-Stools

Product Information

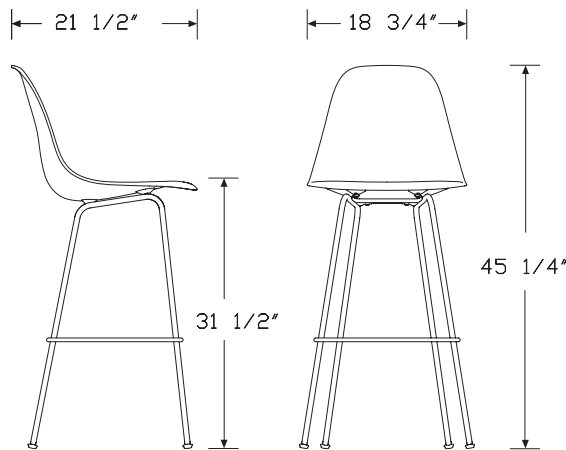
Description

This stool has a single-piece nonupholstered shell with waterfall edges and molded fiberglass seat and flexible back. Standard glides can be ordered with or without felt. Ships assembled.

Dimensions



counter height



bar height

Specification Information

Step 1.

DFH

Step 2. Base Height

CX. counter height stool

BX. bar height stool

Prices for Steps 1-2.

DFHCX.	\$850
DFHBX.	\$871

Step 3. Base Finish

91	white	+\$0
BK	black	+\$0
47	trivalent chrome	+\$40

Step 4. Seat/Back Finish

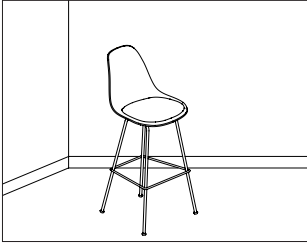
111	parchment	+\$0
112	elephant hide grey	+\$0
113	ultramarine blue	+\$0
114	red orange	+\$0
115	lemon yellow	+\$0
116	green	+\$0
117	navy blue	+\$0
118	black	+\$0
119	seal brown	+\$0
TCA	terra cotta	+\$0
DKS	dark seafoam	+\$0

Step 5. Glide Option

E8	standard glide	+\$0
E9	standard glide with felt bottom	+\$25

Eames® Upholstered Molded
Fiberglass Stool

DFHBX.
DFHCX.



Product Information

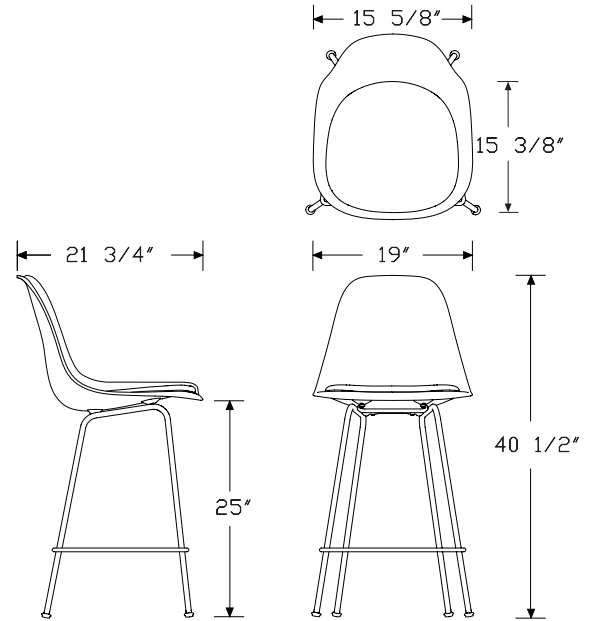
Description

This stool has a molded 1-piece construction with waterfall edges, molded fiberglass seat and flexible back. It has a fully upholstered shell or an attached upholstered seat pad. Seat pad is easily removable for cleaning or reupholstery. Standard glides can be ordered with or without felt. Ships assembled.

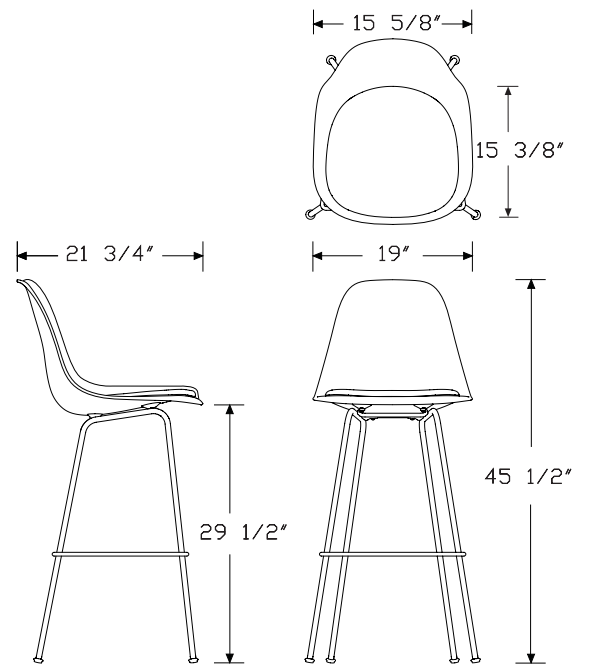
Notes

Seat pad is upholstered with textiles or leather for indoor use only.
For upholstered seat pad (P), Customer's Own Material (COM) requires 1 yard. Customer's Own Leather (COL) requires 9 square feet. See Order Information in appendices.

Dimensions



counter height



bar height

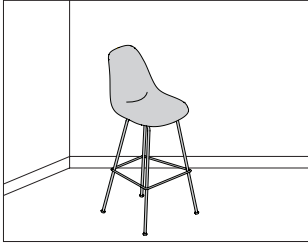
Eames® Upholstered Molded Fiberglass Stool *continued*

Specification Information		
Step 1.		
DFH	<input type="checkbox"/> A	
Step 2. Base Height		
CX.	counter height <input type="checkbox"/> A	
BX.	bar height <input type="checkbox"/> A	
Step 3. Upholstery		
U	fully upholstered shell <input type="checkbox"/> A	
P	upholstered seat pad <input type="checkbox"/> A	
Prices for Steps 1-3.		
DFHCX. U		\$1068
P		\$972
DFHBX. U		\$1088
P		\$992
Step 4. Base Finish		
91	white <input type="checkbox"/> A	+\$0
BK	black <input type="checkbox"/> A	+\$0
47	trivalent chrome <input type="checkbox"/> A	+\$40
Step 5. Seat/Back Finish		
111	parchment <input type="checkbox"/> A	+\$0
112	elephant hide grey <input type="checkbox"/> A	+\$0
113	ultramarine blue <input type="checkbox"/> A	+\$0
114	red orange <input type="checkbox"/> A	+\$0
115	lemon yellow <input type="checkbox"/> A	+\$0
116	green <input type="checkbox"/> A	+\$0
117	navy blue <input type="checkbox"/> A	+\$0
118	black <input type="checkbox"/> A	+\$0
119	seal brown <input type="checkbox"/> A	+\$0
TCA	terra cotta <input type="checkbox"/> A	+\$0
DKS	dark seafoam <input type="checkbox"/> A	+\$0
Step 6. Edge Finish		
<i>For fully upholstered shell (U)</i>		
111	parchment <input type="checkbox"/> A	+\$0
BK	black <input type="checkbox"/> A	+\$0
ZF	white <input type="checkbox"/> A	+\$0

Step 7. Upholstery		
<i>For fully upholstered shell (U)</i>		
Price Category 2	+\$26	
Price Category 5	+\$61	
Price Category B	+\$45	
Price Category G	+\$212	
Price Category H	+\$212	
Price Category K	+\$380	
<i>For upholstered seat pad (P)</i>		
Price Category (Geiger) 6	+\$81	
Price Category (Geiger) 4	+\$34	
Price Category 1	+\$0	
Price Category 2	+\$26	
Price Category 4	+\$34	
Price Category 5	+\$61	
Price Category (Geiger) 5	+\$61	
Price Category 7	+\$115	
Price Category (Geiger) 7	+\$111	
Price Category 8	+\$151	
Price Category (Geiger) 8	+\$146	
Price Category 9	+\$216	
Price Category 11	+\$262	
Price Category B	+\$45	
Price Category C	+\$50	
Price Category G	+\$170	
Price Category H	+\$210	
Price Category K	+\$380	
Step 8. Glide Option		
E8	standard glide <input type="checkbox"/> A	+\$0
E9	standard glide with felt bottom <input type="checkbox"/> A	+\$25

Eames® Molded Plastic Stool

DSHBX.
DSHCX.

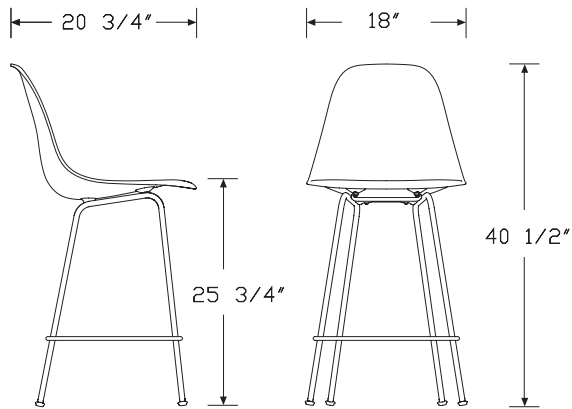


Product Information

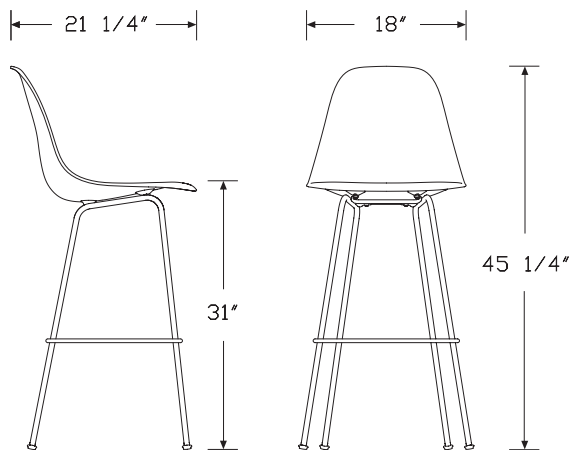
Description

This stool has a single-piece nonupholstered shell with waterfall edges and molded plastic seat and flexible back. Standard glides can be ordered with or without felt. Ships assembled.

Dimensions



counter height



bar height

Specification Information

Step 1.

DSH

Step 2. Base Height

CX. counter height stool

BX. bar height stool

Prices for Steps 1-2.

DSHCX.	\$566
DSHBX.	\$587

Step 3. Base Finish

91	white	+\$0
BK	black	+\$0
47	trivalent chrome	+\$40

Step 4. Seat/Back Finish

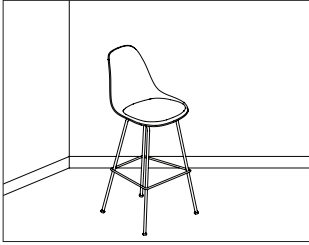
4T	aqua sky	+\$0
5B	java	+\$0
9J	sparrow	+\$0
CHL	charcoal	+\$0
PBL	peacock blue	+\$0
STN	stone	+\$0
ZA	black	+\$0
ZE	red orange	+\$0
ZF	white	+\$0
ZM	alpine	+\$0

Step 5. Glide Option

E8	standard glide	+\$0
E9	standard glide with felt bottom	+\$25

Eames® Upholstered Molded Plastic Stool

DSHBX.
DSHCX.



Product Information

Description

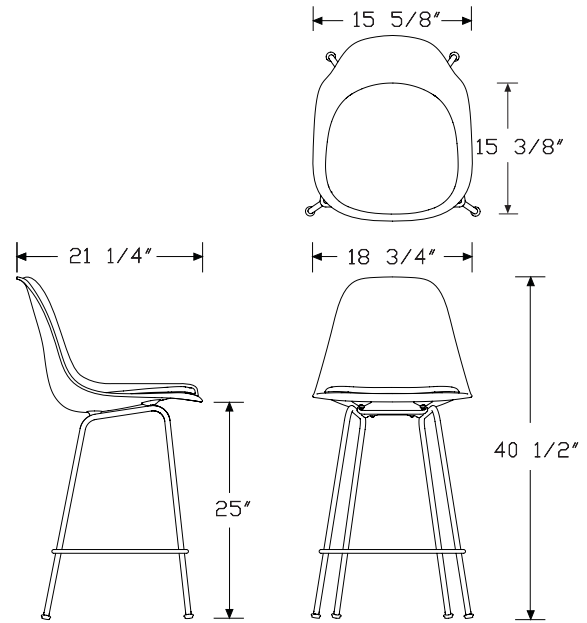
This stool has a molded 1-piece construction with waterfall edges, molded plastic seat and flexible back. It has a fully upholstered shell or an attached upholstered seat pad. Seat pad is easily removable for cleaning or replacement. Standard glides can be ordered with or without felt. Ships assembled.

Notes

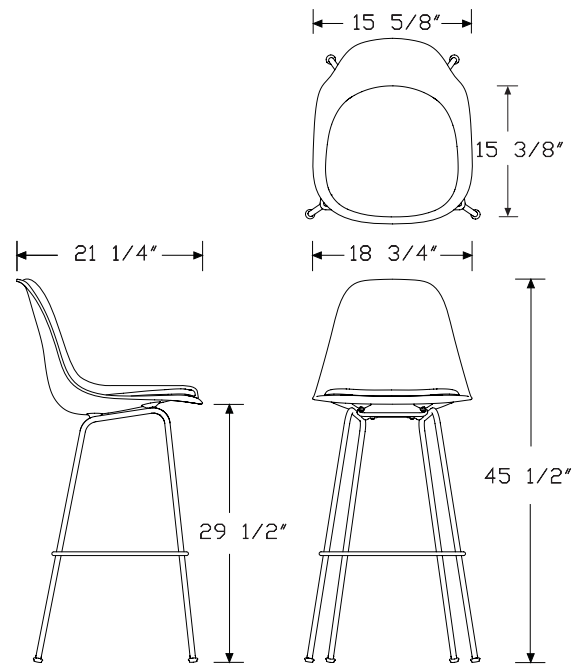
Seat pad is upholstered with textiles or leather for indoor use only.
For upholstered seat pad (P), Customer's Own Material (COM) requires 1 yard. Customer's Own Leather (COL) requires 9 square feet. See Order Information in appendices.

HermanMiller Collection—Stools

Dimensions



Counter Height



Bar Height

Eames® Upholstered Molded Plastic Stool *continued*

Specification Information

Step 1.

DSH A

Step 2. Base Height

CX. counter height A

BX. bar height A

Step 3. Upholstery

U fully upholstered shell A

P upholstered seat pad A

Prices for Steps 1-3.

DSHCX.U	\$784
P	\$688

DSHBX.U	\$805
P	\$708

Step 4. Base Finish

91 white A +\$0

BK black A +\$0

47 trivalent chrome A +\$40

Step 5. Seat/Back Finish

4T aqua sky A +\$0

5B java A +\$0

9J sparrow A +\$0

CHL charcoal A +\$0

PBL peacock blue A +\$0

STN stone A +\$0

ZA black A +\$0

ZE red orange A +\$0

ZF white A +\$0

ZM alpine A +\$0

Step 6. Edge Finish

For fully upholstered shell (U)

111 parchment A +\$0

BK black A +\$0

ZF white A +\$0

Step 7. Upholstery

For fully upholstered shell (U)

Price Category 2 +\$26

Price Category 5 +\$61

Price Category B +\$45

Price Category G +\$212

Price Category H +\$212

Price Category K +\$380

For upholstered seat pad (P)

Price Category (Geiger) 6 +\$81

Price Category (Geiger) 4 +\$34

Price Category 1 +\$0

Price Category 2 +\$26

Price Category 3 +\$30

Price Category 4 +\$34

Price Category 5 +\$61

Price Category (Geiger) 5 +\$61

Price Category 7 +\$115

Price Category (Geiger) 7 +\$111

Price Category 8 +\$151

Price Category (Geiger) 8 +\$146

Price Category 9 +\$216

Price Category 11 +\$262

Price Category B +\$45

Price Category C +\$50

Price Category G +\$170

Price Category H +\$210

Price Category K +\$380

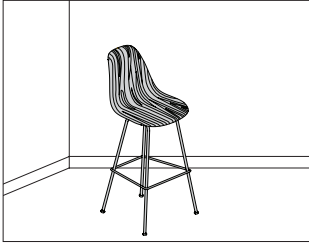
Step 8. Glide Option

E8 standard glide A +\$0

E9 standard glide with felt bottom A +\$25

Eames® Molded Wood Stool

DWHBX.
DWHCX.



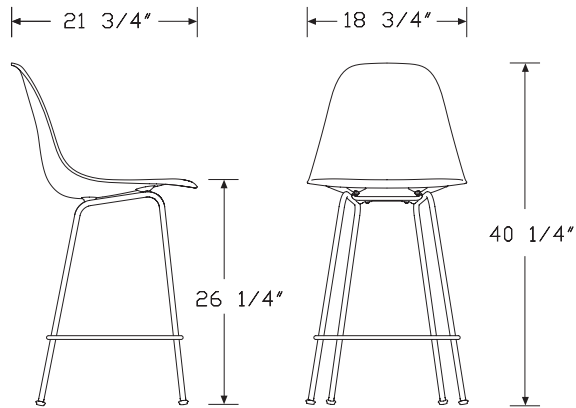
HermanMiller Collection—Stools

Product Information

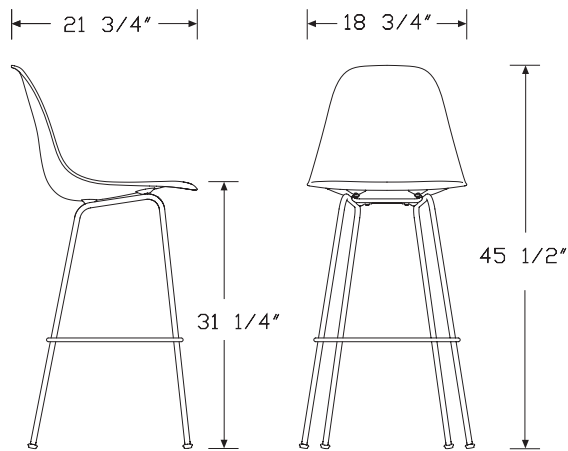
Description

This stool has a single-piece molded construction with waterfall edges, and is 0.260" thick. Base is attached by nonremovable wooden shock mounts. Standard glides can be ordered with or without felt. Ships assembled.

Dimensions



counter height



bar height

Specification Information

Step 1.

DWH

Step 2. Base Height

CX. counter height stool

BX. bar height stool

Prices for Steps 1-2.

DWHCX.	\$1164
DWHBX.	\$1185

Step 3. Base Finish

91	white	+\$0
BK	black	+\$0
47	trivalent chrome	+\$40

Step 4. Seat/Back Finish

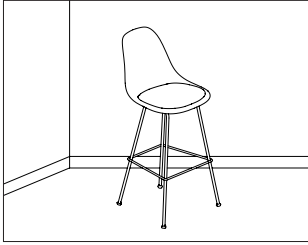
OU	walnut	+\$0
A2	white ash	+\$116
EN	ebony	+\$116
9N	santos palisander	+\$289

Step 5. Glide Option

E8	standard glide	+\$0
E9	standard glide with felt bottom	+\$25

Eames® Upholstered Molded Wood Stool

DWHBX.
DWHCX.



Product Information

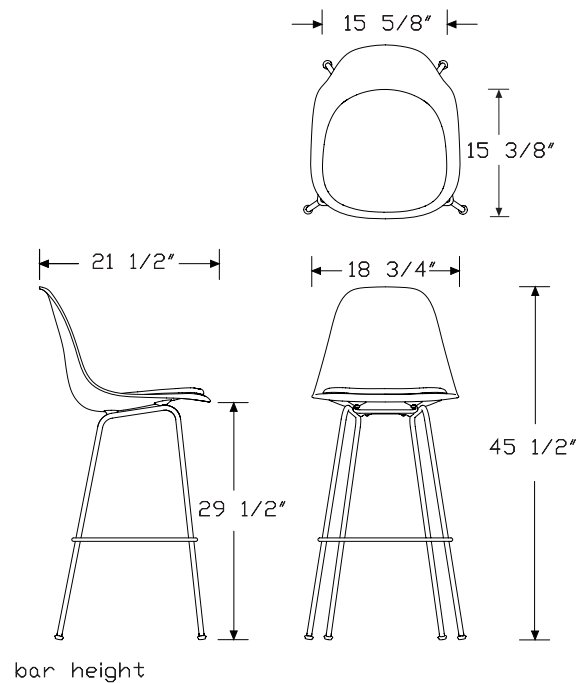
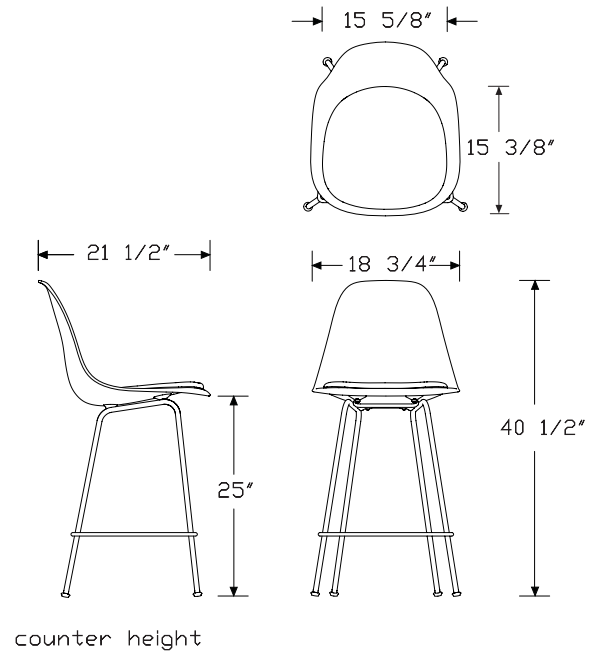
Description

This stool has a molded 1-piece construction with waterfall edges, and is 0.260" thick. It comes with an attached upholstered seat pad that is easily removable for cleaning or reupholstery. Base is attached by nonremovable wooden shock mounts. Base options include bar and counter heights. Standard glides can be ordered with or without felt. Ships assembled.

Notes

Seat pad is upholstered with textiles or leather for indoor use only. Customer's Own Material (COM) requires 1 yard. Customer's Own Leather (COL) requires 9 square feet. See Order Information in appendices.

Dimensions



Eames® Upholstered Molded Wood Stool *continued*

Specification Information

Step 1.

DWH

Step 2. Base Height

BX. bar height

CX. counter height

Step 3. Upholstery

P upholstered seat pad

Prices for Steps 1-3.

DWHBX.P \$1306

DWHCX.P \$1286

Step 4. Base Finish

91 white +\$0

BK black +\$0

47 trivalent chrome +\$40

Step 5. Seat/Back Finish

OU walnut +\$0

A2 white ash +\$116

EN ebony +\$116

9N santos palisander +\$289

Step 6. Upholstery

Price Category 1 +\$0

Price Category 2 +\$26

Price Category 4 +\$34

Price Category (Geiger) 4 +\$34

Price Category 5 +\$61

Price Category (Geiger) 5 +\$61

Price Category (Geiger) 6 +\$81

Price Category 7 +\$115

Price Category (Geiger) 7 +\$111

Price Category 8 +\$151

Price Category (Geiger) 8 +\$146

Price Category 9 +\$216

Price Category 11 +\$262

Price Category B +\$30

Price Category C +\$50

Price Category G +\$170

Price Category H +\$210

Price Category K +\$380

Step 7. Glide Option

E8 standard glide +\$0

E9 standard glide with felt bottom +\$25

Eames® Wire Stool

DKHBX.
DKHCX.



Product Information

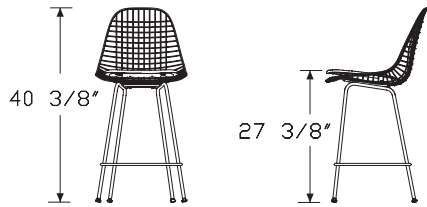
Description

This stool has a wire shell, a wire shell with upholstered seat and back, or a wire shell with upholstered seat and wire back. It comes in bar height or counter height. Wire shell and metal bases are available in trivalent chrome, white or black. Stool comes with standard indoor glides with or without felt. Suitable for indoor use only.

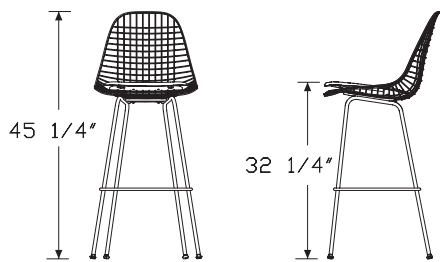
Notes

Customer's Own Material (COM) requires 1 yard. See Order Information in appendices.

Dimensions



Counter Height, Upholstered Seat



Bar Height, Upholstered Seat

Specification Information

Step 1.

DKH A

Step 2. Base Height

BX. bar height stool A

CX. counter height stool A

Step 3. Seat/Back Material

0 wire shell

2 wire shell/upholstered seat/back

5 wire shell/upholstered seat/wire back

Prices for Steps 1-3.

DKHBX.0	\$1089
2	\$1587
5	\$1343

DKHCX.0	\$1069
2	\$1567
5	\$1322

Step 4. Seat Frame/Leg Finish

47 trivalent chrome	+\$40
91 white	+\$0
BK black	+\$0

Step 5. Upholstery

For wire shell/upholstered seat/back (2)

Price Category 5	+\$61
Price Category 9	+\$216
Price Category 11	+\$262
Price Category D	+\$79
Price Category K	+\$380

For wire shell/upholstered seat/wire back (5)

Price Category 1 A	+\$0
Price Category 2	+\$26
Price Category 5	+\$61
Price Category (Geiger) 5	+\$61
Price Category (Geiger) 8	+\$146
Price Category 9	+\$216
Price Category 11	+\$262
Price Category G	+\$170
Price Category H	+\$210
Price Category K	+\$380

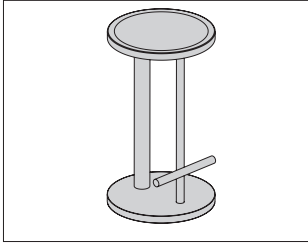
Eames® Wire Stool *continued*

Step 6. Glide Option		
E8	standard glide <input type="checkbox"/> A	+\$0
E9	standard glide with felt bottom <input type="checkbox"/> A	+\$25

HermanMiller Collection-Stools

Spot Stool

MAS18
MAS24
MAS30

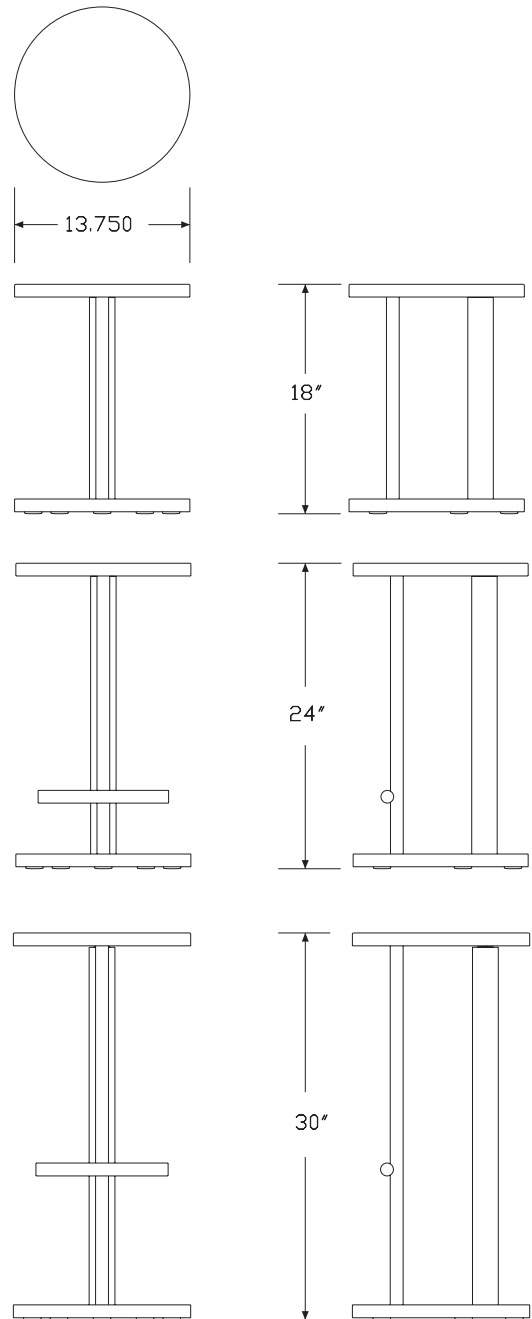


Product Information

Description

This wood and steel stool is available in an 18" occasional height, 24" counter height, and 30" bar height. Counter and bar height stools include a footrest. Stool diameter is 13³/₄".

Dimensions



Specification Information

Step 1.

MAS A

Step 2. Height

18 18" high A

24 24" high A

30 30" high A

Prices for Steps 1-2.

MAS18 \$1474

MAS24 \$1495

MAS30 \$1515

Step 3. Wood Finish

A2 white ash A +\$0

EN ebony on ash A +\$0

OU walnut A +\$100

Step 4. Metal Post and Footrest Finish

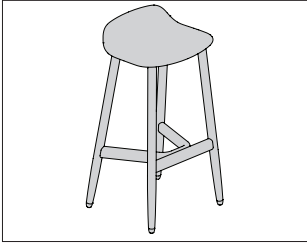
SAC satin chrome A +\$0

BK black A +\$0

BAS brass A +\$50

Crosshatch Stool

SEB1B
SEB1C

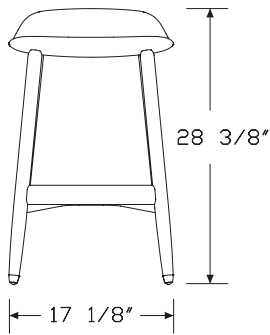


Product Information

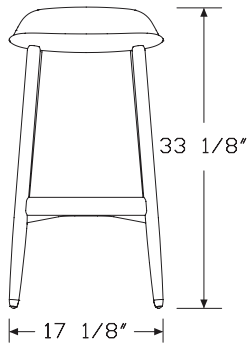
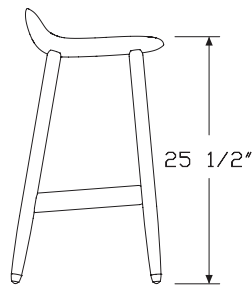
Description

This solid wood stool is available in bar and counter height. Wood options are ash or walnut.

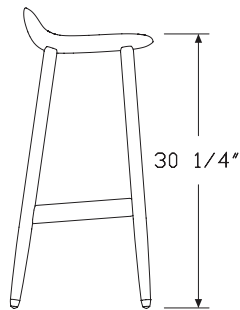
Dimensions



Counter Height



Bar Height



Specification Information

Step 1.

SEB1 A

Step 2. Configuration

CX counter height A

BX bar height A

Step 3. Frame Finish

A ash A

W walnut A

Prices for Steps 1-3.

SEB1CX A	\$1368
W	\$1773

SEB1BX A	\$1388
W	\$1794

Step 4. Wood Finish

Anigre Veneer - Low Sheen

For ash (A)

967 smoked paldao, low sheen <input type="checkbox"/> A	+\$0
--	------

969 warm paldao, low sheen <input type="checkbox"/> A	+\$0
--	------

Premium Veneer - Low Sheen

For ash (A)

G2U	light brown walnut, low sheen A	+\$0
G40	dark brown walnut, low sheen A	+\$0
940	sundance cherry on maple A	+\$0
943	caramel cherry A	+\$0
946	cocoa cherry A	+\$0
956	cocoa sapele A	+\$0
962	toasted walnut, low sheen A	+\$0
963	charred walnut, low sheen A	+\$0
964	bronzed walnut, low sheen A	+\$0
965	smoked walnut, low sheen A	+\$0
966	coffee walnut, low sheen A	+\$0
977	chocolate ash, low sheen A	+\$0
98R	recograin rosewood A	+\$0
991	champagne ash A	+\$0
998	ebony ash A	+\$0
99A	recograin frosty ash A	+\$0
99R	recograin rosewood A	+\$0
99T	recograin teak A	+\$0
9A1	white ash, quarter cut, low sheen A	+\$0
9K1	rift oak, rift cut, low sheen A	+\$0
9K6	burnt oak, rift cut, low sheen A	+\$0
ED	aged cherry A	+\$0
EK	medium red walnut A	+\$0
UX	walnut on cherry A	+\$0

Premium Veneer - Matte

For ash (A)

66A	recograin frosty ash A	+\$0
677	chocolate ash, matte sheen A	+\$0
68R	recograin rosewood A	+\$0
69A	recograin frosty ash A	+\$0
69R	recograin rosewood A	+\$0
69T	recograin teak A	+\$0
6A1	white ash A	+\$0
6K1	rift oak A	+\$0
6K6	burnt oak A	+\$0
ET	clear on ash A	+\$0
EU	oak on ash A	+\$0
EV	walnut on ash A	+\$0
GOU	natural walnut, flat cut, matte sheen A	+\$0

RecoGrain Veneer

For ash (A)

66G	recograin wenge A	+\$0
68W	recograin walnut, flat cut, matte sheen A	+\$0
69G	recograin wenge A	+\$0
69W	recograin walnut, quarter cut, matte sheen A	+\$0

Recon Veneer -

For ash (A)

98W	recograin walnut, flat cut, low sheen A	+\$0
99G	recograin wenge, quarter cut, low sheen A	+\$0
99W	recograin walnut, quarter cut, low sheen A	+\$0

Anigre Veneer - Low Sheen

For walnut (W)

967	smoked paldao, low sheen A	+\$0
969	warm paldao, low sheen A	+\$0

Premium Veneer - Low Sheen

For walnut (W)

G2U	light brown walnut, low sheen A	+\$0
G40	dark brown walnut, low sheen A	+\$0
962	toasted walnut, low sheen A	+\$0
963	charred walnut, low sheen A	+\$0
964	bronzed walnut, low sheen A	+\$0
965	smoked walnut, low sheen A	+\$0
966	coffee walnut, low sheen A	+\$0
972	sundance walnut A	+\$0
98R	recograin rosewood A	+\$0
99R	recograin rosewood A	+\$0
EK	medium red walnut A	+\$0

Premium Veneer - Matte

For walnut (W)

667	smoked paldao, quarter cut, matte sheen A	+\$0
669	warm paldao, quarter cut, matte sheen A	+\$0
662	toasted walnut, matte sheen A	+\$0
663	charred walnut, matte sheen A	+\$0
664	bronzed walnut, matte sheen A	+\$0
665	smoked walnut, matte sheen A	+\$0
666	coffee walnut, matte sheen A	+\$0
68R	recograin rosewood A	+\$0
69R	recograin rosewood A	+\$0
GOU	natural walnut, flat cut, matte sheen A	+\$0

Crosshatch Stool *continued*

RecoGrain Veneer

For walnut (W)

66G	recoGrain wenge	A	+\$0
69G	recoGrain wenge	A	+\$0

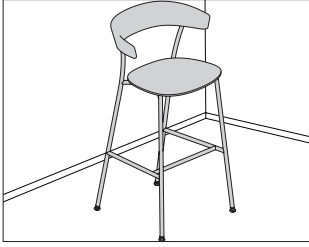
Recon Veneer -

For walnut (W)

96G	wenge recoGrain, quarter cut, low sheen	A	+\$0
99G	recoGrain wenge, quarter cut, low sheen	A	+\$0

Leeway™ Stool

SVSPB
SVSPC
SVSUA
SVSUW
SVSWA
SVSWW



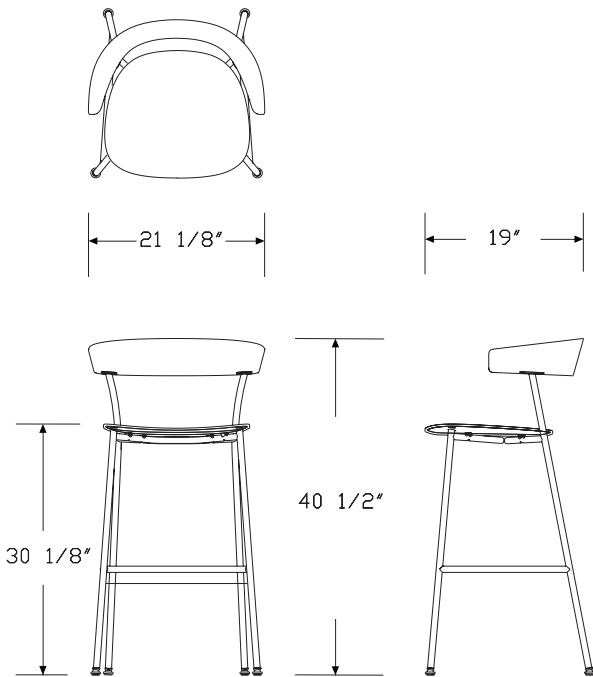
HermanMiller Collection—Stools

Product Information

Description
This stool has a solid wood seat and back with a metal frame or a polyurethane seat and back with a metal frame. All options available with or without an upholstered seat.

Notes
Customer's Own Material (COM) requires 1/2 yard. Customer's Own Leather (COL) requires 9 square feet. See Order Information in appendices.

Dimensions



Specification Information

Step 1.

SVS A

Step 2. Seat/Back

U upholstered seat, wood back A

W wood seat and back A

P polyurethane seat and back A

Step 3. Wood Species

A ash A

W walnut A

Step 4. Stool Height

B bar height A

C counter height A

Prices for Steps 1-4.

SVSUA	B	\$1312
	C	\$1302

SVSUW	B	\$1616
	C	\$1606

SVSWA	B	\$1211
	C	\$1201

SVSWW	B	\$1515
	C	\$1505

Step 5. Frame Finish

BK black A +\$0

SAC satin chrome A +\$104

Step 6. Seat/Back Finish

For upholstered seat, wood back (U) or wood seat and back (W) with ash (A)

940	sundance cherry on maple, low sheen A	+\$0
943	caramel cherry, low sheen A	+\$0
946	cocoa cherry, low sheen A	+\$0
956	cocoa sapele, low sheen A	+\$0
966	coffee walnut, low sheen A	+\$0
967	smoked paldao, low sheen A	+\$0
969	warm paldao, low sheen A	+\$0
96A	recograin frosty ash, low sheen A	+\$0
96G	recograin wenge, low sheen A	+\$0
96W	recograin walnut, low sheen A	+\$0
977	chocolate ash, low sheen A	+\$0
98R	recograin rosewood, low sheen A	+\$0
98W	recograin walnut, low sheen A	+\$0
991	champagne ash, low sheen A	+\$0
998	ebony ash, low sheen A	+\$0
99G	recograin wenge, low sheen A	+\$0
99R	recograin rosewood, low sheen A	+\$0
99T	recograin teak, low sheen A	+\$0
99W	recograin walnut, low sheen A	+\$0
9A1	white ash, low sheen A	+\$0
9K1	rift oak, low sheen A	+\$0
9K6	burnt oak, low sheen A	+\$0
ED	aged cherry, low sheen A	+\$0
EK	medium red walnut, low sheen A	+\$0
G2U	light brown walnut, low sheen A	+\$0
G40	dark brown walnut, low sheen A	+\$0
UX	walnut on cherry, low sheen A	+\$0

For upholstered seat, wood back (U) or wood seat and back (W) with ash (A)

662	toasted walnut, matte sheen A	+\$0
663	charred walnut, matte sheen A	+\$0
664	bronzed walnut, matte sheen A	+\$0
665	smoked walnut, matte sheen A	+\$0
666	coffee walnut, matte sheen A	+\$0
667	smoked paldao, matte sheen A	+\$0
669	warm paldao, matte sheen A	+\$0
66A	recograin frosty ash, matte sheen A	+\$0
66G	recograin wenge, matte sheen A	+\$0
66W	recograin walnut, matte sheen A	+\$0
677	chocolate ash, matte sheen A	+\$0
69A	recograin frosty ash, matte sheen A	+\$0
69G	recograin wenge, matte sheen A	+\$0
69R	recograin rosewood, matte sheen A	+\$0
69T	recograin teak, matte sheen A	+\$0
69W	recograin walnut, matte sheen A	+\$0
6A1	white ash, matte sheen A	+\$0
6ET	clear on ash, matte sheen A	+\$0
6EU	clear on oak, matte sheen A	+\$0
6EV	walnut on ash, matte sheen A	+\$0
6K1	rift oak, matte sheen A	+\$0
6K6	burnt oak, matte sheen A	+\$0
ET	clear on ash, matte sheen A	+\$0
EU	oak on ash, matte sheen A	+\$0
EV	walnut on ash, matte sheen A	+\$0
GOU	walnut, matte sheen A	+\$0

For upholstered seat, wood back (U) or wood seat and back (W) with walnut (W)

962	toasted walnut, low sheen A	+\$0
963	charred walnut, low sheen A	+\$0
964	bronzed walnut, low sheen A	+\$0
965	smoked walnut, low sheen A	+\$0
966	coffee walnut, low sheen A	+\$0
967	smoked paldao, low sheen A	+\$0
969	warm paldao, low sheen A	+\$0
96G	recograin wenge, low sheen A	+\$0
972	sundance walnut, low sheen A	+\$0
98R	recograin rosewood, low sheen A	+\$0
99G	recograin wenge, low sheen A	+\$0
99R	recograin rosewood, low sheen A	+\$0
EK	medium red walnut, low sheen A	+\$0
G2U	light brown walnut, low sheen A	+\$0
G40	dark brown walnut, low sheen A	+\$0

For upholstered seat, wood back (U) or wood seat and back (W) with walnut (W)

662	toasted walnut, matte sheen <input type="checkbox"/> A	+\$0
663	charred walnut, matte sheen <input type="checkbox"/> A	+\$0
664	bronzed walnut, matte sheen <input type="checkbox"/> A	+\$0
665	smoked walnut, matte sheen <input type="checkbox"/> A	+\$0
666	coffee walnut, matte sheen <input type="checkbox"/> A	+\$0
667	smoked paldao, matte sheen <input type="checkbox"/> A	+\$0
669	warm paldao, matte sheen <input type="checkbox"/> A	+\$0
66G	recograin wenge, matte sheen <input type="checkbox"/> A	+\$0
68R	recograin rosewood, matte sheen <input type="checkbox"/> A	+\$0
69G	recograin wenge, matte sheen <input type="checkbox"/> A	+\$0
69R	recograin rosewood, matte sheen <input type="checkbox"/> A	+\$0
6EV	walnut on ash, matte sheen <input type="checkbox"/> A	+\$0
EV	walnut on ash, matte sheen <input type="checkbox"/> A	+\$0
GOU	walnut, matte sheen <input type="checkbox"/> A	+\$0

For polyurethane seat and back (P)

BK	black <input type="checkbox"/> A	+\$0
-----------	----------------------------------	------

Step 7. Fabric

For upholstered seat, wood back (U)

Price Category 4	+\$38
Price Category (Geiger) COL <input type="checkbox"/> A	+\$36
Price Category (Geiger) COM <input type="checkbox"/> A	+\$0
Price Category 1	+\$0
Price Category (Geiger) 2	+\$0
Price Category 2	+\$25
Price Category 3	+\$31
Price Category (Geiger) 3	+\$31
Price Category (Geiger) 4	+\$38
Price Category 5	+\$55
Price Category (Geiger) 5	+\$55
Price Category (Geiger) 6	+\$72
Price Category (Geiger) 7	+\$89
Price Category (Geiger) 7	+\$89
Price Category (Geiger) 8	+\$135
Price Category 9	+\$168
Price Category (Geiger) 10	+\$193
Price Category 11	+\$217
Price Category (Geiger) 11	+\$217
Price Category (Geiger) 14	+\$284
Price Category (Geiger) C	+\$45
Price Category (Geiger) D	+\$37
Price Category (Geiger) E	+\$45
Price Category (Geiger) F	+\$53
Price Category (Geiger) G	+\$73
Price Category (Geiger) H	+\$90
Price Category (Geiger) J	+\$127
Price Category (Geiger) K	+\$146
Price Category (Geiger) L	+\$164
Price Category (Geiger) M	+\$183

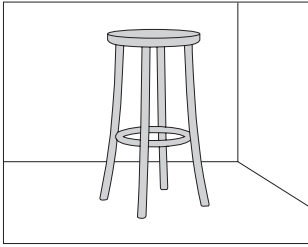
Step 8. Fire Retardancy

For upholstered seat, wood back (U)

NOCAL no cal-133 required <input type="checkbox"/> A	+\$0
133 fire retardant <input type="checkbox"/> A	+\$33

Zampa Stool

MC18.

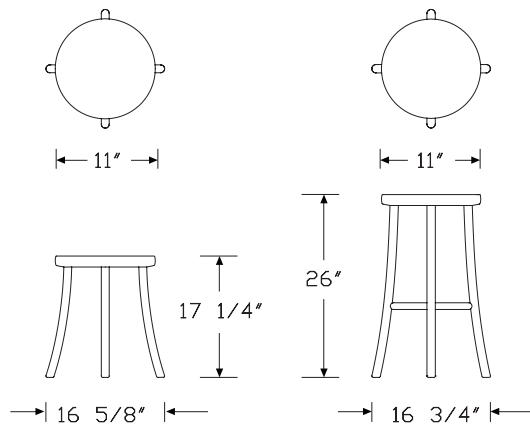


Product Information

Description

This solid wood stool is available in ash with a choice of finishes.

Dimensions



Low height stool

Medium height stool

Specification Information

Step 1.

MC18. A

Step 2. Stool Height

L low A

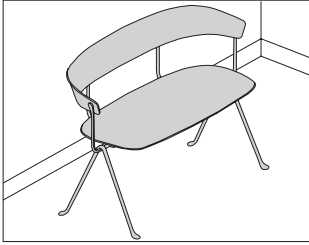
M medium A

Prices for Steps 1-2.

MC18. L	\$600
M	\$775

Step 3. Frame Finish

YPF red ash <input type="checkbox"/> A	+\$0
YPG yellow ash <input type="checkbox"/> A	+\$0
YPJ neon blue ash <input type="checkbox"/> A	+\$0
YQB black ash <input type="checkbox"/> A	+\$0
ZQS natural ash <input type="checkbox"/> A	+\$0

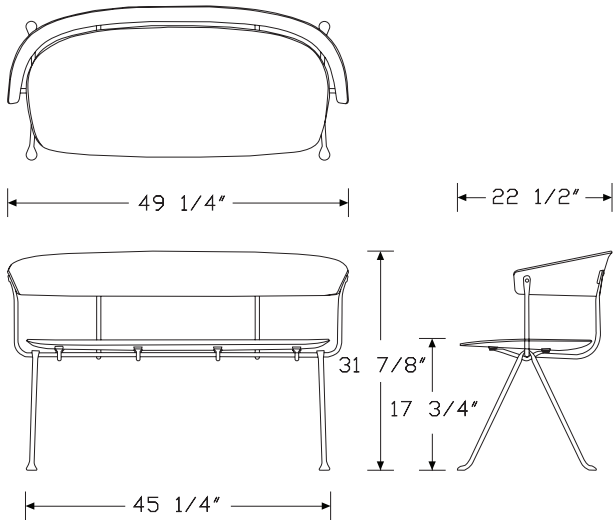


Product Information

Description

This bench has a wrought iron frame available in galvanized or painted grey anthracite finish. Seat and back are available in plywood or fabric upholstery. Ships assembled.

Dimensions



HermanMiller Collection—Benches

Specification Information

Step 1.

SD222X A

Step 2. Seat & Back

W plywood A

F fabric upholstery A

Prices for Steps 1-2.

SD222X W	\$1995
F	\$2895

Step 3. Frame Finish

GLV galvanized A +\$0

YCB grey anthracite A +\$0

Step 4. Seat & Back Finish

For plywood (W)

YNC natural beech A +\$0

YNM black beech A +\$0

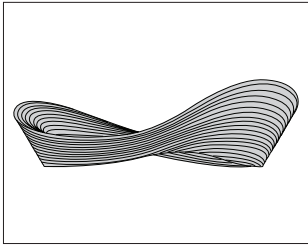
For fabric upholstery (F)

Price Category G +\$0

Price Category H +\$0

Folly

MGC00.



Product Information

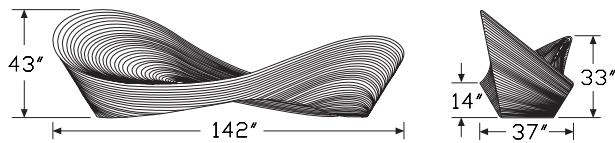
Description

This bench by designer Ron Arad is formed in polyethylene. Suitable for outdoor use.

Notes

Order floor kit (MGC90.) separately.

Dimensions



Specification Information

Step 1.

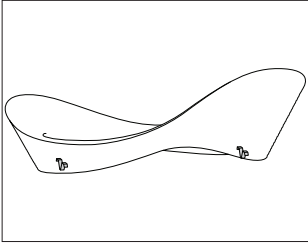
MGC00. [A] \$6854

Step 2. Finish

RSB rust brown [A] +\$0

Folly Floor Kit

MGC90.

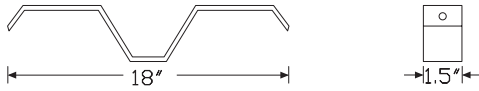


Product Information

Description
This kit attaches a Folly bench to the floor. Includes 2 galvanized steel plates. Floor anchors not included.

Notes
Customer to supply appropriate anchor system for floor type.

Dimensions

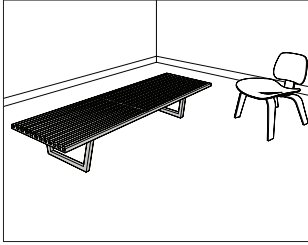


Specification Information

Step 1.
MGC90. A \$257

Nelson™ Platform Bench

PB.

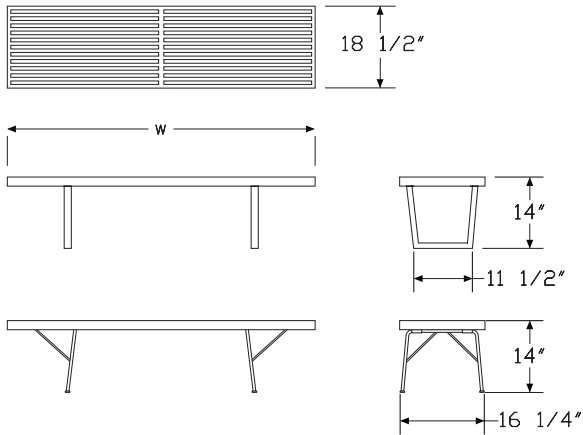


Product Information

Description

This bench has a slatted, clear-coat solid maple or walnut top and an ebonized wood or chrome metal base with metal leveling glides.

Dimensions



Specification Information

Step 1.

PB. A

Step 2. Width

48 48" wide A

60 60" wide A

72 72" wide A

Step 3. Base

M trivalent chrome metal base A

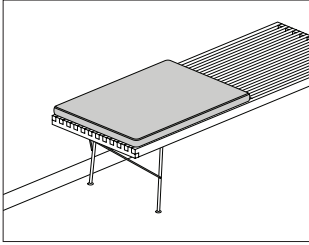
W ebonized wood base A

Prices for Steps 1-3.

		M	W
PB.	48	\$1180	1180
	60	\$1282	1282
	72	\$1388	1388

Step 4. Slat Finish

		48	60	72
UL	natural maple <input type="checkbox"/> A	+\$209	252	252
OU	walnut <input type="checkbox"/> A	+\$926	1119	1309



Product Information

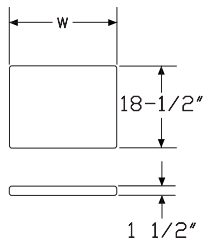
Description

This upholstered cushion fits on a Nelson™ platform bench.

Notes

Customers Own Material (COM) requires 1 yard for 24"-wide cushion and 1½ yards for 36"-wide cushion. Customers Own Leather (COL) requires 15 square feet for 24"-wide cushion and 20 square feet for 36"-wide cushion. See Order Information in appendices.

Dimensions



Specification Information

Step 1.

PBC. A

Step 2. Width

24 24" wide A

36 36" wide A

Step 3. Material

F fabric A

Prices for Steps 1-3.

	F
PBC. 24	\$405
36	\$608

Step 4. Finish

See application chart and textiles list for fabric usage and numbers. First 2 digits of number indicate fabric line; remaining digit(s) indicate fabric color.

	24F	36F
Price Category 1	+\$0	0
Price Category 2	+\$0	0
Price Category 3	+\$17	25
Price Category (Geiger) 3	+\$61	92
Price Category 4	+\$0	0
Price Category (Geiger) 4	+\$33	49
Price Category 5	+\$57	70
Price Category (Geiger) 5	+\$57	70
Price Category 6	+\$62	78
Price Category (Geiger) 6	+\$62	78
Price Category 7	+\$73	88
Price Category (Geiger) 7	+\$73	88
Price Category 8	+\$185	239
Price Category 9	+\$309	325
Price Category 10	+\$340	358
Price Category (Geiger) 10	+\$209	358
Price Category (Geiger) 11	+\$371	390
Price Category 14	+\$445	468
Price Category 10M	+\$468	703
Price Category C	+\$46	70
Price Category D	+\$59	88
Price Category E	+\$71	107
Price Category F	+\$138	171
Price Category G	+\$179	232
Price Category H	+\$218	289
Price Category I	+\$256	346

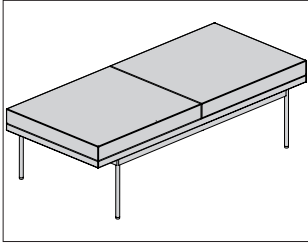
Nelson™ Platform Bench Cushion

continued

Price Category J	+\$294	403
Price Category K	+\$332	459
Price Category L	+\$370	516
Price Category M	+\$519	1038
Price Category N	+\$542	630
Price Category O	+\$485	686
Price Category P	+\$349	743
Price Category Q	+\$375	803
Price Category X	+\$785	1177
Price Category Y	+\$826	1240

Tuxedo Component Lounge™
Bench

ST2BN
ST2BQ



Product Information

Description

This 17"-high bench has a foam and Dacron® seat with a painted or plated steel base.

Notes

Customer's Own Material (COM)/Customer's Own Leather (COL) requires the following:

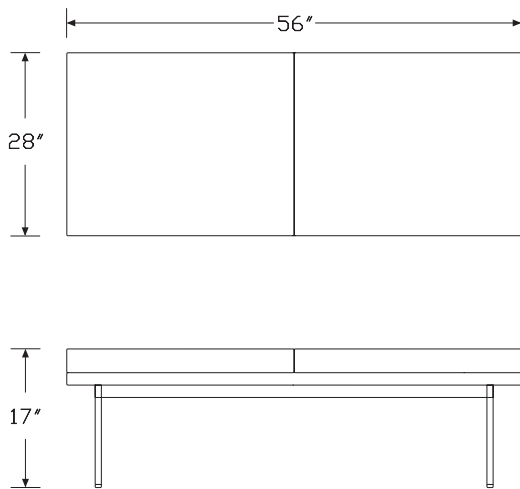
Type—COM—COL

Not quilted—3 yards—54 square feet

Quilted—3 yards—54 square feet

See Order Information in Appendices for more information.

Dimensions



Specification Information

Step 1.

ST2B A

Step 2. Upholstery Type

N not quilted A

Q quilted A

Prices for Steps 1-2.

ST2BN	\$2123
ST2BQ	\$2194

Step 3. Upholstery

For quilted (Q)

Price Category (Geiger) 1	+\$121
Price Category 1	+\$0
Price Category (Geiger) 2	+\$146
Price Category 2	+\$146
Price Category (Geiger) 3	+\$183
Price Category 3	+\$183
Price Category (Geiger) 4	+\$223
Price Category 4	+\$223
Price Category (Geiger) 5	+\$325
Price Category 5	+\$325
Price Category (Geiger) 6	+\$427
Price Category (Geiger) 7	+\$529
Price Category (Geiger) 8	+\$810
Price Category (Geiger) 9	+\$1005
Price Category 9	+\$1005
Price Category (Geiger) 10	+\$1156
Price Category (Geiger) 11	+\$1295
Price Category (Geiger) 14	+\$1697
Price Category (Geiger) A	+\$102
Price Category (Geiger) C	+\$164
Price Category (Geiger) D	+\$217
Price Category (Geiger) E	+\$263
Price Category (Geiger) F	+\$316
Price Category (Geiger) G	+\$430
Price Category (Geiger) H	+\$535
Price Category (Geiger) I	+\$646
Price Category (Geiger) J	+\$758
Price Category (Geiger) K	+\$869
Price Category (Geiger) L	+\$980
Price Category (Geiger) M	+\$1091
Price Category (Geiger) N	+\$1200
Price Category (Geiger) O	+\$1314

Tuxedo Component Lounge™ Bench *continued*

Price Category (Geiger) P	+\$1422
Price Category (Geiger) Q	+\$1641
Price Category (Geiger) R	+\$2287
Price Category (Geiger) S	+\$2457
Price Category (Geiger) V	+\$2967
Price Category (Geiger) COM <input type="checkbox"/>	+\$0
Price Category (Geiger) COL <input type="checkbox"/>	+\$216

For not quilted (N)

Price Category (Geiger) 1	+\$121
Price Category 1	+\$0
Price Category (Geiger) 2	+\$146
Price Category 2	+\$146
Price Category (Geiger) 3	+\$183
Price Category 3	+\$183
Price Category (Geiger) 4	+\$223
Price Category 4	+\$223
Price Category (Geiger) 5	+\$325
Price Category 5	+\$325
Price Category (Geiger) 6	+\$427
Price Category (Geiger) 7	+\$529
Price Category (Geiger) 8	+\$810
Price Category (Geiger) 9	+\$1005
Price Category 9	+\$1005
Price Category (Geiger) 10	+\$1156
Price Category (Geiger) 11	+\$1295
Price Category (Geiger) 14	+\$1697
Price Category (Geiger) A	+\$102
Price Category (Geiger) C	+\$164
Price Category (Geiger) D	+\$217
Price Category (Geiger) E	+\$263
Price Category (Geiger) F	+\$316
Price Category (Geiger) G	+\$430
Price Category (Geiger) H	+\$535
Price Category (Geiger) I	+\$646
Price Category (Geiger) J	+\$758
Price Category (Geiger) K	+\$869
Price Category (Geiger) L	+\$980
Price Category (Geiger) M	+\$1091
Price Category (Geiger) N	+\$1200
Price Category (Geiger) O	+\$1314
Price Category (Geiger) P	+\$1422
Price Category (Geiger) Q	+\$1641
Price Category (Geiger) R	+\$2287
Price Category (Geiger) S	+\$2457
Price Category (Geiger) V	+\$2967
Price Category (Geiger) X	+\$3307

Price Category (Geiger) Y	+\$3477
Price Category (Geiger) COM <input type="checkbox"/>	+\$0
Price Category (Geiger) COL <input type="checkbox"/>	+\$216

Step 4. Base Finish

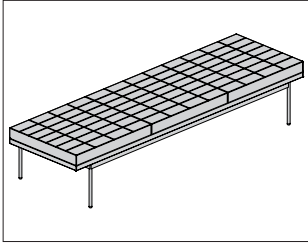
926 black <input type="checkbox"/>	+\$0
AS arctic silver <input type="checkbox"/>	+\$0
WHT white <input type="checkbox"/>	+\$0
CHR chrome <input type="checkbox"/>	+\$671
SAC satin chrome <input type="checkbox"/>	+\$671

Step 5. Fire Retardancy

NOCAL not fire retardant <input type="checkbox"/>	+\$0
133 fire retardant <input type="checkbox"/>	+\$195

Tuxedo Component Lounge™
Museum Bench

ST3BN
ST3BQ



Product Information

Description

This 17"-high museum bench has a foam and Dacron® seat with a painted or plated steel base.

Notes

Customer's Own Material (COM)/Customer's Own Leather (COL) requires the following:

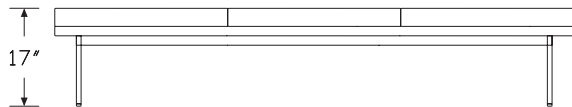
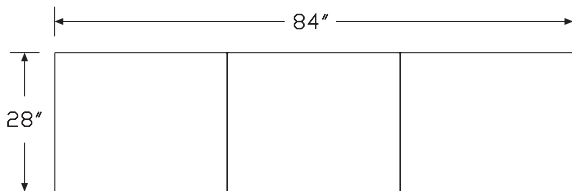
Type—COM—COL

Not quilted—5½ yards—99 square feet

Quilted—5½ yards—99 square feet

See Order Information in Appendices for more information.

Dimensions



Specification Information

Step 1.

ST3B A

Step 2. Upholstery Type

N not quilted A

Q quilted A

Prices for Steps 1-2.

ST3BN	\$2914
ST3BQ	\$2979

Step 3. Upholstery

For quilted (Q)

Price Category (Geiger) 1	+\$222
Price Category 1	+\$0
Price Category (Geiger) 2	+\$267
Price Category 2	+\$267
Price Category (Geiger) 3	+\$335
Price Category 3	+\$335
Price Category (Geiger) 4	+\$408
Price Category 4	+\$408
Price Category (Geiger) 5	+\$596
Price Category 5	+\$596
Price Category (Geiger) 6	+\$782
Price Category (Geiger) 7	+\$970
Price Category (Geiger) 8	+\$1485
Price Category (Geiger) 9	+\$1842
Price Category 9	+\$1842
Price Category (Geiger) 10	+\$2119
Price Category (Geiger) 11	+\$2375
Price Category (Geiger) 14	+\$3111
Price Category (Geiger) A	+\$188
Price Category (Geiger) C	+\$301
Price Category (Geiger) D	+\$397
Price Category (Geiger) E	+\$483
Price Category (Geiger) F	+\$578
Price Category (Geiger) G	+\$788
Price Category (Geiger) H	+\$981
Price Category (Geiger) I	+\$1185
Price Category (Geiger) J	+\$1389
Price Category (Geiger) K	+\$1593
Price Category (Geiger) L	+\$1797
Price Category (Geiger) M	+\$2001
Price Category (Geiger) N	+\$2205
Price Category (Geiger) O	+\$2409

Tuxedo Component Lounge™ Museum Bench *continued*

Price Category (Geiger) P	+\$2606
Price Category (Geiger) Q	+\$3009
Price Category (Geiger) R	+\$4193
Price Category (Geiger) S	+\$4505
Price Category (Geiger) V	+\$5439
Price Category (Geiger) COM <input type="checkbox"/>	+\$0
Price Category (Geiger) COL <input type="checkbox"/>	+\$396

For not quilted (N)

Price Category (Geiger) 1	+\$222
Price Category 1	+\$0
Price Category (Geiger) 2	+\$267
Price Category 2	+\$267
Price Category (Geiger) 3	+\$335
Price Category 3	+\$335
Price Category (Geiger) 4	+\$408
Price Category 4	+\$408
Price Category (Geiger) 5	+\$596
Price Category 5	+\$596
Price Category (Geiger) 6	+\$782
Price Category (Geiger) 7	+\$970
Price Category (Geiger) 8	+\$1485
Price Category (Geiger) 9	+\$1842
Price Category 9	+\$1842
Price Category (Geiger) 10	+\$2119
Price Category (Geiger) 11	+\$2375
Price Category (Geiger) 14	+\$3111
Price Category (Geiger) A	+\$188
Price Category (Geiger) C	+\$301
Price Category (Geiger) D	+\$397
Price Category (Geiger) E	+\$483
Price Category (Geiger) F	+\$578
Price Category (Geiger) G	+\$788
Price Category (Geiger) H	+\$981
Price Category (Geiger) I	+\$1185
Price Category (Geiger) J	+\$1389
Price Category (Geiger) K	+\$1593
Price Category (Geiger) L	+\$1797
Price Category (Geiger) M	+\$2001
Price Category (Geiger) N	+\$2205
Price Category (Geiger) O	+\$2409
Price Category (Geiger) P	+\$2606
Price Category (Geiger) Q	+\$3009
Price Category (Geiger) R	+\$4193
Price Category (Geiger) S	+\$4505
Price Category (Geiger) V	+\$5439
Price Category (Geiger) X	+\$6062

Price Category (Geiger) Y	+\$6374
Price Category (Geiger) COM <input type="checkbox"/>	+\$0
Price Category (Geiger) COL <input type="checkbox"/>	+\$396

Step 4. Base Finish

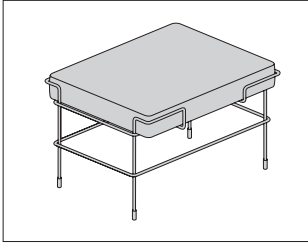
926 black <input type="checkbox"/>	+\$0
AS arctic silver <input type="checkbox"/>	+\$0
WHT white <input type="checkbox"/>	+\$0
CHR chrome <input type="checkbox"/>	+\$671
SAC satin chrome <input type="checkbox"/>	+\$671

Step 5. Fire Retardancy

NOCAL not fire retardant <input type="checkbox"/>	+\$0
133 fire retardant <input type="checkbox"/>	+\$293

Traffic One-Seater Bench Upholstered

XXSD2

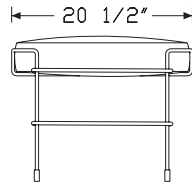
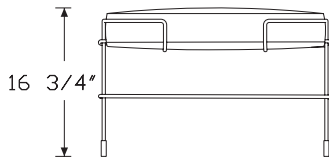
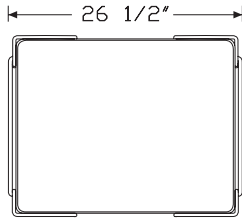


Product Information

Description

This bench has a painted steel rod frame and upholstered cushions with removable covers.

Dimensions



HermanMiller Collection—Benches

Specification Information

Step 1.

XXSD2730 A \$1230

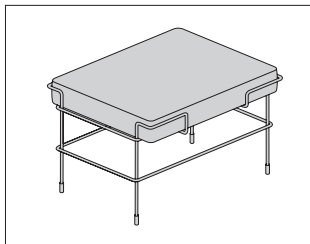
Step 2. Frame Finish

5011 white A +\$0
5013 black A +\$0

Step 3. Seat Fabric

YLR torri lana, AT1 Rico dark blue A +\$0
YL1 fidivi style (6009) Bl1 A +\$0
YL2 kvadrat remix (982) Q1 A +\$130
YL3 kvadrat skye (831) BH1 A +\$130
YL4 kvadrat tonica (111) N1 A +\$190
7L5 kvadrat canvas (174) AU1 A +\$190

Traffic One-Seater Bench XXSD2
 Upholstered (Suitable for Outdoor
 Use)

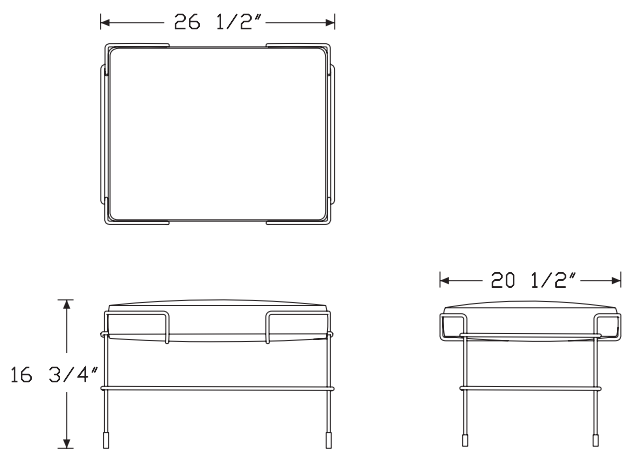


Product Information

Description

This bench has a painted steel rod frame and upholstered cushions with removable covers. Suitable for outdoor use.

Dimensions



Specification Information

Step 1.

XXSD2731 A \$1554

Step 2. Frame Finish

5011 white A + \$0

Step 3. Seat Fabric

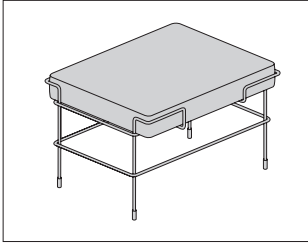
F-227 turquoise A + \$0

F-257 blue A + \$0

F-737 white A + \$0

F-769 black A + \$0

Traffic One-Seater Bench Leather XXSD2

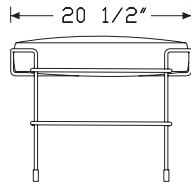
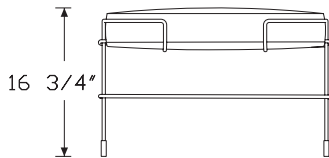
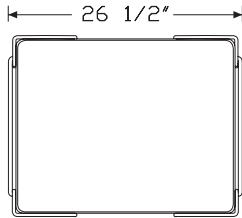


Product Information

Description

This bench has a painted steel rod frame and upholstered cushions with removable covers.

Dimensions



Specification Information

Step 1.

XXSD2734 A \$1986

Step 2. Frame Finish

5011 white A +\$0

5013 black A +\$0

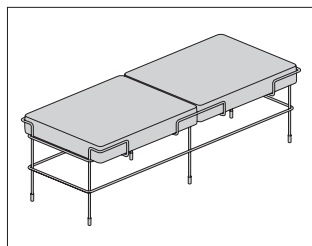
Step 3. Seat Fabric

L-0112 brown A +\$0

L-0065 anthracite grey A +\$0

Traffic Two-Seater Bench Upholstered

XXSD2

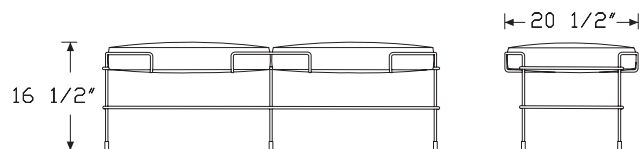
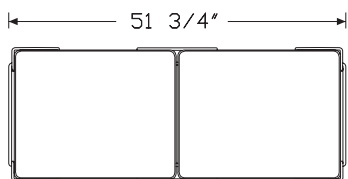


Product Information

Description

This bench has a painted steel rod frame and upholstered cushions with removable covers.

Dimensions



Specification Information

Step 1.

XXSD2740 A \$2090

Step 2. Frame Finish

5011 white A +\$0

5013 black A +\$0

Step 3. Seat Fabric

YLR torri lana, AT1 Rico dark blue A +\$0

YL1 fidivi style (6009) Bl1 A +\$0

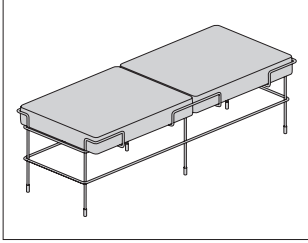
YL2 kvadrat remix (982) Q1 A +\$230

YL3 kvadrat skye (831) BH1 A +\$230

YL4 kvadrat tonica (111) N1 A +\$330

7L5 kvadrat canvas (174) AU1 A +\$330

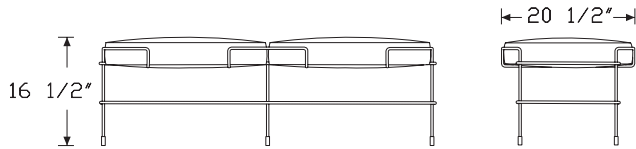
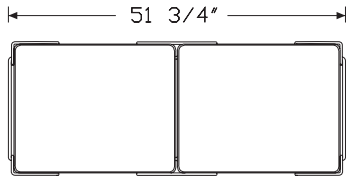
Traffic Two-Seater Bench XXSD2
 Upholstered (Suitable for Outdoor
 Use)



Product Information

Description
 This bench has a painted steel rod frame and upholstered cushions with removable covers. Suitable for outdoor use.

Dimensions

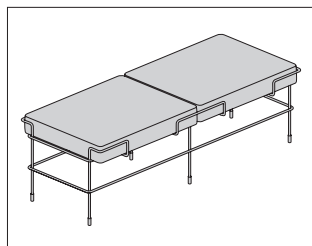


Specification Information

Step 1.		
XXSD2741	A	\$2670
<hr/>		
Step 2. Frame Finish		
5011	white A	+\$0
<hr/>		
Step 3. Seat Fabric		
F-227	turquoise A	+\$0
F-257	blue A	+\$0
F-737	white A	+\$0
F-769	black A	+\$0

HermanMiller Collection—Benches

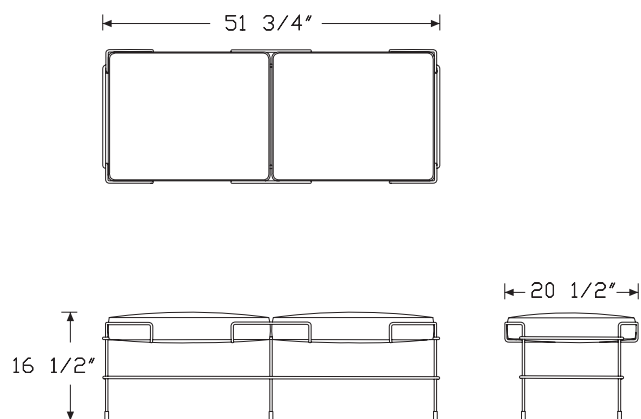
Traffic Two-Seater Bench Leather XXSD2



Product Information

Description
 This bench has a painted steel rod frame and upholstered cushions with removable covers.

Dimensions



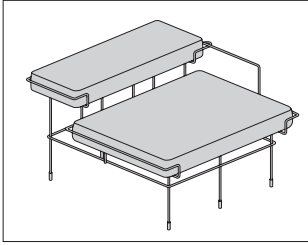
Specification Information

Step 1.		
XXSD2744	A	\$3645
Step 2. Frame Finish		
5011	white A	+\$0
5013	black A	+\$0
Step 3. Seat Fabric		
L-0112	brown A	+\$0
L-0065	anthracite grey A	+\$0

Herman Miller Collection - Benches

Traffic Platform Upholstered

XXSD2



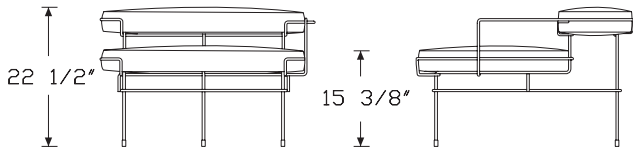
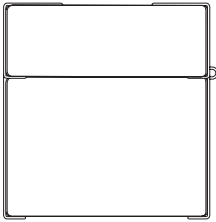
Product Information

Description

This platform bench has a painted steel rod frame and upholstered cushions with removable covers.

Dimensions

← 35 1/2" →



HermanMiller Collection—Benches

Specification Information

Step 1.

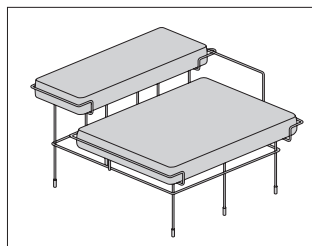
XXSD2750 A \$2390

Step 2. Frame Finish

5011 white A +\$0
5013 black A +\$0

Step 3. Seat Fabric

YLR torri lana, AT1 Rico dark blue A +\$0
YL1 fidivi style (6009) Bl1 A +\$0
YL2 kvadrat remix (982) Q1 A +\$230
YL3 kvadrat skye (831) BH1 A +\$230
YL4 kvadrat tonica (111) N1 A +\$350
7L5 kvadrat canvas (174) AU1 A +\$350



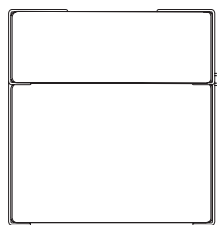
Product Information

Description

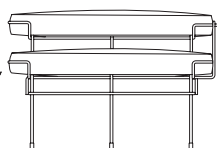
This platform bench has a painted steel rod frame and upholstered cushions with removable covers.

Dimensions

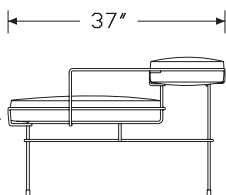
← 35 1/2" →



22 1/2"



15 3/8"



← 37" →

Specification Information

Step 1.

XXSD2754 A \$4082

Step 2. Frame Finish

5011 white A +\$0

5013 black A +\$0

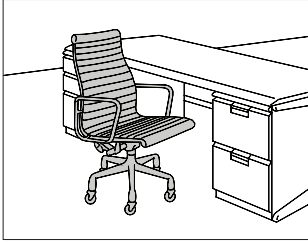
Step 3. Seat Fabric

L-0112 brown A +\$0

L-0065 anthracite grey A +\$0

Eames® Aluminum Group
Executive Chair

EA337



Product Information

Description

This high-back chair with arms has a lightweight aluminum frame with suspended upholstery. It has a 5-star base with casters, tilt-swivel mechanism, and manual seat-height adjustment or pneumatic seat-height adjustment and tilt lock feature.

Notes

Chair is tested and warranted for use by persons 300 pounds and under. When chair is specified with Cygnus™ mesh, it meets CAL 133 requirements.

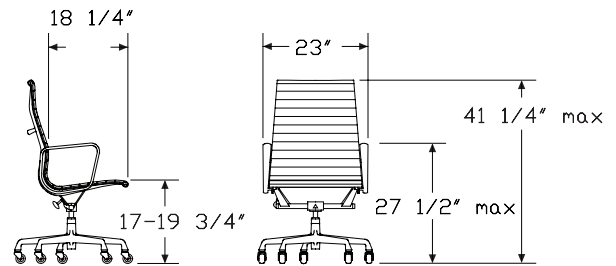
Chair sizes shown in illustrations are nominal.

For description of casters, see Casters and Glides in Appendices.

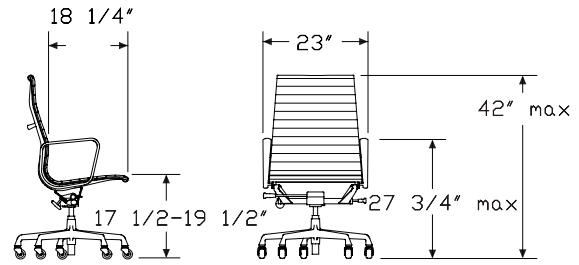
Customer's Own Material (COM) requires 1½ yards. Customer's Own Leather (COL) requires 45 square feet. See Order Information in Appendices.

HermanMiller Collection—Work Chairs

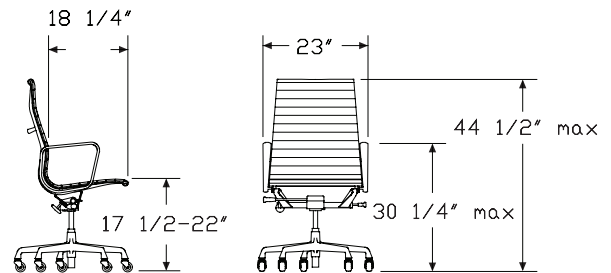
Dimensions



Manual



Pneumatic, standard-height range



Pneumatic, extended-height range

Eames® Aluminum Group
Executive Chair *continued*

Specification Information

Step 1.

EA33 A

Step 2. Seat-Height Adjustment

7	manual seat-height adjustment	A
7P	pneumatic seat-height adjustment, standard-height range with tilt lock	A
7E	pneumatic seat-height adjustment, extended-height range with tilt lock	A

Prices for Steps 1-2.

EA337	\$2002
EA337P	\$2182
EA337E	\$2256

Step 3. Casters

BSC	2" soft double wheel caster, hard floors or carpet, black	A	+\$0
MD	2" soft double wheel caster, hard floors or carpet, chrome	A	+\$0
UD	2" hard double wheel caster, carpet, black painted	A	+\$0
VD	2" hard double wheel caster, carpet, chrome	A	+\$0

Step 4. Base Finish

L	polished aluminum	A	+\$0
BK	black	A	+\$28
91	white	A	+\$28
EP	eggplant	A	+\$28

Step 5. Frame Finish

For polished aluminum (L)

L	polished aluminum	A	+\$0
----------	-------------------	---	------

For black (BK)

BK	black	A	+\$107
G2	graphite satin	A	+\$107

For white (91)

91	white	A	+\$107
-----------	-------	---	--------

For eggplant (EP)

EP	eggplant	A	+\$107
-----------	----------	---	--------

Step 6. Fabric

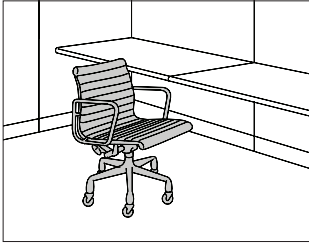
See application chart and textiles list for fabric usage and numbers.

First 2 digits of number indicate fabric line; remaining digit(s) indicate fabric color.

Price Category 1	+\$0
Price Category 2	+\$57
Price Category 3	+\$129
Price Category 4	+\$185
Price Category (Geiger) 4	+\$143
Price Category 5	+\$233
Price Category (Geiger) 5	+\$233
Price Category 6	+\$282
Price Category (Geiger) 6	+\$350
Price Category 7 A	+\$248
Price Category (Geiger) 7	+\$186
Price Category 8	+\$364
Price Category 9	+\$640
Price Category (Geiger) 10	+\$724
Price Category 10M	+\$867
Price Category 11	+\$792
Price Category B	+\$51
Price Category C	+\$70
Price Category D	+\$88
Price Category E	+\$107
Price Category F	+\$138
Price Category G	+\$179
Price Category H	+\$218
Price Category I	+\$256
Price Category J	+\$294
Price Category K	+\$332
Price Category L	+\$370

Eames® Aluminum Group
Management Chair

EA334
EA335



Product Information

Description

This low-back chair has a lightweight aluminum frame with suspended upholstery and comes with or without arms. It has a 5-star base, tilt-swivel mechanism, and manual seat-height adjustment or pneumatic seat-height adjustment and tilt lock feature. The chair is available with casters or glides. The chair with glides includes 1/2" (GD) glides for hard floors or carpet.

Notes

Chair is tested and warranted for use by persons 300 pounds and under. When chair is specified with Cygnus™ mesh, it meets CAL 133 requirements.

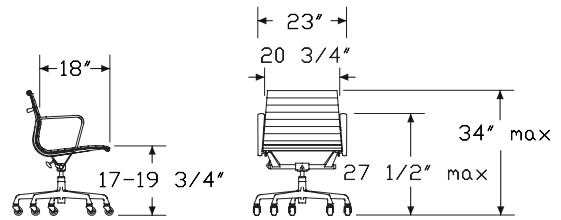
Chair sizes shown in illustrations are nominal.

For description of casters and glides, see Casters and Glides in Appendices.

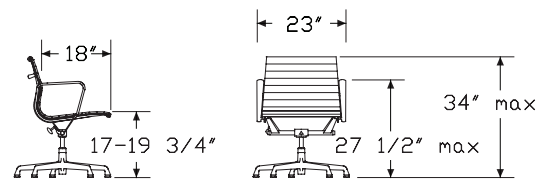
Customer's Own Material (COM) requires 1 1/3 yards. Customer's Own Leather (COL) requires 45 square feet. See Order Information in Appendices.

HermanMiller Collection—Work Chairs

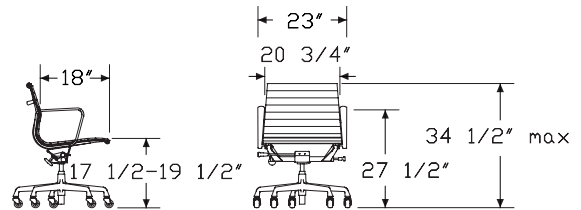
Dimensions



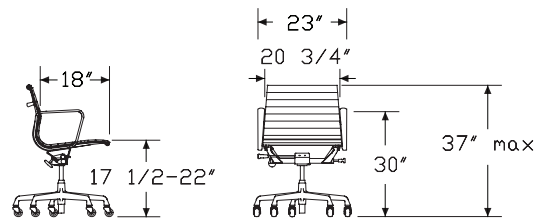
Casters



Glides



Pneumatic, standard-height range



Pneumatic, extended-height range

Eames® Aluminum Group
Management Chair *continued*

Specification Information

Step 1.

EA33 A

Step 2. Casters/Glides/Seat-Height Adjustment

5	casters with manual seat-height adjustment	
4	glides with manual seat-height adjustment	A
5P	casters with pneumatic seat-height adjustment, standard-height range with tilt lock	
5E	casters with pneumatic seat-height adjustment, extended-height range with tilt lock	A
5N	casters with manual seat-height adjustment, no arms	
5PN	casters with pneumatic seat-height adjustment, no arms, standard-height range	
5EN	casters with pneumatic seat-height adjustment, no arms, extended-height range	A

Prices for Steps 1-2.

EA335	\$1834
EA334	\$1834
EA335P	\$2014
EA335E	\$2088
EA335N	\$1370
EA335PN	\$1549
EA335EN	\$1623

Step 3. Casters

For casters with manual seat-height adjustment (5), casters with pneumatic seat-height adjustment, standard-height range with tilt lock (5P), casters with pneumatic seat-height adjustment, extended-height range with tilt lock (5E), casters with manual seat-height adjustment, no arms (5N), casters with pneumatic seat-height adjustment, no arms, standard-height range (5PN), or casters with pneumatic seat-height adjustment, no arms, extended-height range (5EN)

BSC	2" soft double wheel caster, hard floors or carpet, black	+\$0
	A	
MD	2" soft double wheel caster, hard floors or carpet, chrome	+\$0
UD	2" hard double wheel caster, carpet, black painted	+\$0
VD	2" hard double wheel caster, carpet, chrome	+\$0

Step 4. Base Finish

L	polished aluminum	+\$0
BK	black	+\$28
	A	
91	white	+\$28
	A	
EP	eggplant	+\$28
	A	

Step 5. Frame Finish

For polished aluminum (L)

L	polished aluminum	+\$0
----------	-------------------	------

For black (BK)

BK	black	+\$107
	A	
G2	graphite satin	+\$107
	A	

For white (91)

91	white	+\$107
	A	

For eggplant (EP)

EP	eggplant	+\$107
	A	

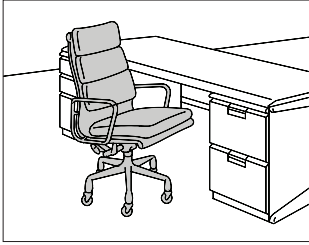
Step 6. Fabric

See application chart and textiles list for fabric usage and numbers.

First 2 digits of number indicate fabric line; remaining digit(s) indicate fabric color.

Price Category 1	+\$0
Price Category 2	+\$50
Price Category 3	+\$93
Price Category 4	+\$143
Price Category (Geiger) 4	+\$143
Price Category 5	+\$176
Price Category (Geiger) 5	+\$176
Price Category 6	+\$212
Price Category (Geiger) 6	+\$407
Price Category 7	+\$186
	A
Price Category (Geiger) 7	+\$186
Price Category 8	+\$364
Price Category 9	+\$609
Price Category (Geiger) 10	+\$689
Price Category 10M	+\$867
Price Category 11	+\$792
Price Category B	+\$39
Price Category C	+\$57
Price Category D	+\$78
Price Category E	+\$94
Price Category F	+\$122
Price Category G	+\$159
Price Category H	+\$193
Price Category I	+\$227
Price Category J	+\$261
Price Category K	+\$294
Price Category L	+\$328

Eames® Soft Pad Group Executive Chair EA437



Product Information

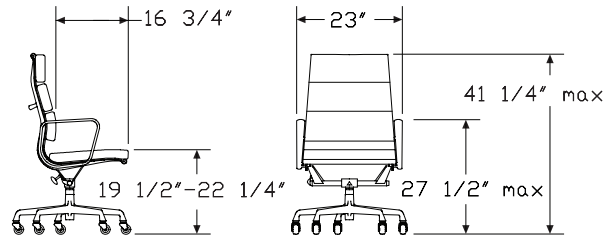
Description
 This high-back chair with arms has a lightweight aluminum frame and 2"-thick upholstered foam cushions. It has a 5-star base with casters, tilt-swivel mechanism, and manual seat-height adjustment or pneumatic seat-height adjustment and tilt lock feature.

Notes

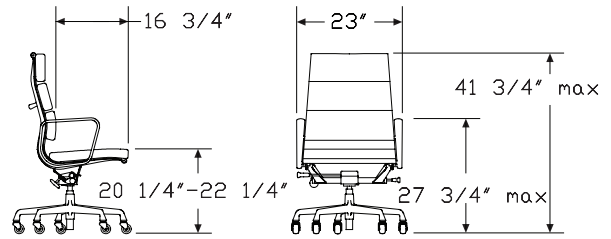
Chair is tested and warranted for use by persons 300 pounds and under. Chair sizes shown in illustrations are nominal.
 For description of casters, see Casters and Glides in Appendices.
 Customer's Own Material (COM) requires 3 yards. Customer's Own Leather (COL) requires 56 square feet. See Order Information in Appendices.

HermanMiller Collection—Work Chairs

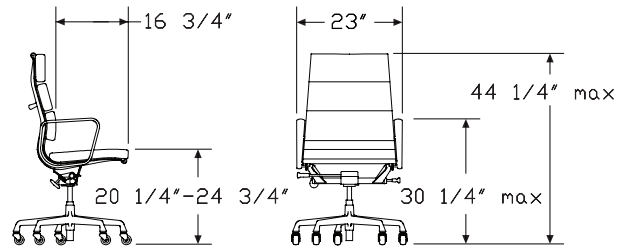
Dimensions



Manual



Pneumatic, standard-height range



Pneumatic, extended-height range

Eames® Soft Pad Group Executive Chair *continued*

Specification Information

Step 1.

EA43 A

Step 2. Seat-Height Adjustment

7	manual seat-height adjustment A	
7P	pneumatic seat-height adjustment, standard-height range with tilt lock A	
7E	pneumatic seat-height adjustment, extended-height range with tilt lock A	

Prices for Steps 1-2.

EA437	\$3458
EA437P	\$3636
EA437E	\$3710

Step 3. Casters

BSC	2" soft double wheel caster, hard floors or carpet, black A	+\$0
MD	2" soft double wheel caster, hard floors or carpet, chrome A	+\$0
UD	2" hard double wheel caster, carpet, black painted A	+\$0
VD	2" hard double wheel caster, carpet, chrome A	+\$0

Step 4. Base Finish

L	polished aluminum A	+\$0
BK	black A	+\$28
91	white A	+\$28
EP	eggplant A	+\$28

Step 5. Frame Finish

For polished aluminum (L)

L	polished aluminum A	+\$0
----------	---	------

For black (BK)

BK	black A	+\$107
G2	graphite satin A	+\$107

For white (91)

91	white A	+\$107
-----------	---	--------

For eggplant (EP)

EP	eggplant A	+\$107
-----------	--	--------

Step 6. Fabric

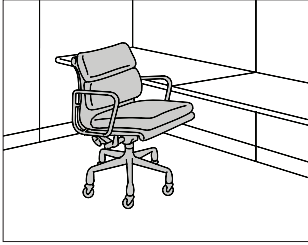
See application chart and textiles list for fabric usage and numbers.

First 2 digits of number indicate fabric line; remaining digit(s) indicate fabric color.

Price Category (Geiger) 4	+\$270
Price Category 1	+\$0
Price Category 2	+\$73
Price Category 3	+\$169
Price Category (Geiger) 3	+\$169
Price Category 4	+\$270
Price Category 5	+\$339
Price Category (Geiger) 5	+\$339
Price Category 6	+\$408
Price Category (Geiger) 6	+\$490
Price Category 7	+\$360
Price Category (Geiger) 7	+\$360
Price Category 8	+\$455
Price Category 9	+\$627
Price Category (Geiger) 10	+\$701
Price Category 10M	+\$1127
Price Category 11	+\$965
Price Category B	+\$99
Price Category C	+\$132
Price Category D	+\$176
Price Category E	+\$213
Price Category F	+\$275
Price Category G	+\$358
Price Category H	+\$435
Price Category I	+\$511
Price Category J	+\$588
Price Category K	+\$664
Price Category L	+\$740
Price Category M	+\$817
Price Category N	+\$893
Price Category P	+\$1046

Eames® Soft Pad Group
Management Chair

EA434
EA435



Product Information

Description

This low-back chair has a lightweight aluminum frame, 2"-thick upholstered foam cushions, and comes with or without arms. It has a 5-star base, tilt-swivel mechanism, and manual seat-height adjustment or pneumatic seat-height adjustment and tilt lock feature. The chair is available with casters or glides. The chair with glides includes 1/2" (GD) glides for hard floors or carpet.

Notes

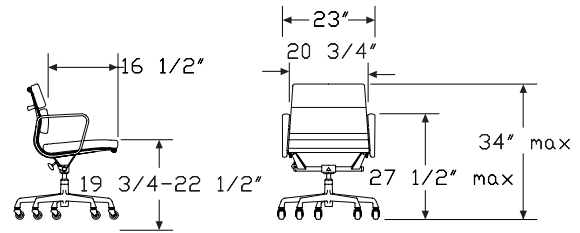
Chair is tested and warranted for use by persons 300 pounds and under. Chair sizes shown in illustrations are nominal.

For description of casters and glides, see Casters and Glides in Appendices.

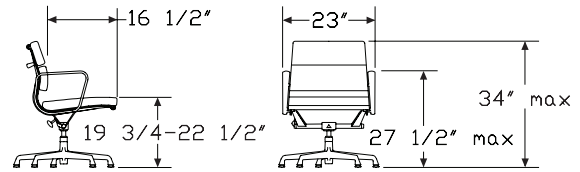
Customer's Own Material (COM) requires 2 1/2 yards. Customer's Own Leather (COL) requires 45 square feet. See Order Information in Appendices.

HermanMiller Collection—Work Chairs

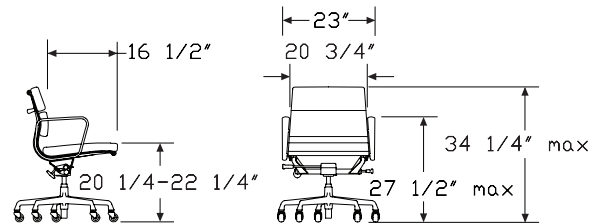
Dimensions



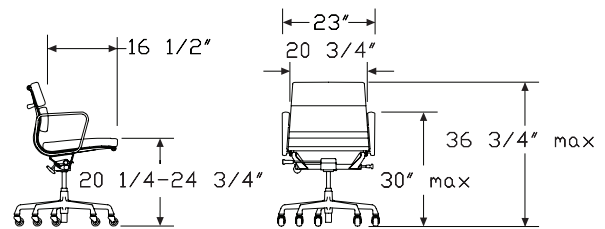
Casters



Glides



Pneumatic, standard-height range



Pneumatic, extended-height range

Eames® Soft Pad Group

Management Chair *continued*

Specification Information

Step 1.

EA43

Step 2. Casters/Glides/Seat-Height Adjustment

5	casters with manual seat-height adjustment <input type="checkbox"/>
4	glides with manual seat-height adjustment <input type="checkbox"/>
5P	casters with pneumatic seat-height adjustment, standard-height range with tilt lock <input type="checkbox"/>
5E	casters with pneumatic seat-height adjustment, extended-height range with tilt lock <input type="checkbox"/>
5N	casters with manual seat-height adjustment, no arms <input type="checkbox"/>
5PN	casters with pneumatic seat-height adjustment, no arms, standard-height range <input type="checkbox"/>
5EN	casters with pneumatic seat-height adjustment, no arms, extended-height range <input type="checkbox"/>

Prices for Steps 1-2.

EA435	\$2888
EA434	\$2888
EA435P	\$3078
EA435E	\$3152
EA435N	\$2424
EA435PN	\$2615
EA435EN	\$2688

Step 3. Casters

For casters with manual seat-height adjustment (5), casters with pneumatic seat-height adjustment, standard-height range with tilt lock (5P), casters with pneumatic seat-height adjustment, extended-height range with tilt lock (5E), casters with manual seat-height adjustment, no arms (5N), casters with pneumatic seat-height adjustment, no arms, standard-height range (5PN), or casters with pneumatic seat-height adjustment, no arms, extended-height range (5EN)

BSC	2" soft double wheel caster, hard floors or carpet, black <input type="checkbox"/>	+\$0
MD	2" soft double wheel caster, hard floors or carpet, chrome <input type="checkbox"/>	+\$0
UD	2" hard double wheel caster, carpet, black painted <input type="checkbox"/>	+\$0
VD	2" hard double wheel caster, carpet, chrome <input type="checkbox"/>	+\$0

Step 4. Base Finish

L	polished aluminum <input type="checkbox"/>	+\$0
BK	black <input type="checkbox"/>	+\$28
91	white <input type="checkbox"/>	+\$28
EP	eggplant <input type="checkbox"/>	+\$28

Step 5. Frame Finish

For polished aluminum (L)

L	polished aluminum <input type="checkbox"/>	+\$0
----------	--	------

For black (BK)

BK	black <input type="checkbox"/>	+\$107
G2	graphite satin <input type="checkbox"/>	+\$107

For white (91)

91	white <input type="checkbox"/>	+\$107
-----------	--------------------------------	--------

For eggplant (EP)

EP	eggplant <input type="checkbox"/>	+\$107
-----------	-----------------------------------	--------

Eames® Soft Pad Group

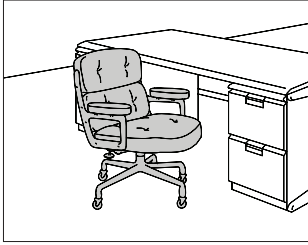
Management Chair *continued*

Step 6. Fabric

See application chart and textiles list for fabric usage and numbers.

First 2 digits of number indicate fabric line; remaining digit(s) indicate fabric color.

Price Category 1	+\$0
Price Category 2	+\$73
Price Category 3	+\$157
Price Category (Geiger) 3	+\$157
Price Category 4	+\$242
Price Category (Geiger) 4	+\$242
Price Category 5	+\$291
Price Category (Geiger) 5	+\$291
Price Category 6	+\$339
Price Category (Geiger) 6	+\$408
Price Category 7	+\$297
Price Category (Geiger) 7	+\$297
Price Category 8	+\$364
Price Category 9	+\$592
Price Category (Geiger) 10	+\$669
Price Category 10M	+\$906
Price Category 11	+\$792
Price Category B	+\$64
Price Category C	+\$80
Price Category D	+\$0
Price Category E	+\$175
Price Category F	+\$245
Price Category G	+\$314
Price Category H	+\$418
Price Category I	+\$523
Price Category J	+\$621
Price Category K	+\$708
Price Category L	+\$796
Price Category M	+\$883
Price Category N	+\$0
Price Category P	+\$0



Product Information

Description

This upholstered chair has contoured seat and back cushions and padded armrests. The seat has a 4½"-thick foam cushion and the back has 2 3"-thick foam cushions. It has a 5-star base, tilt-swivel mechanism, and seat-height adjustment. The chair is available with casters or glides. The chair with glides includes ½" (GD) glides for hard floors or carpet.

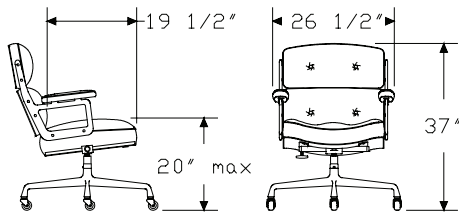
Notes

Chair is tested and warranted for use by persons 300 pounds and under. For description of casters and glides, see Casters and Glides in Appendices.

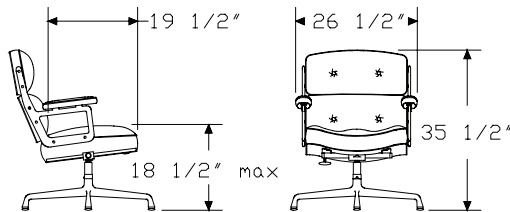
Customer's Own Material (COM) requires 3 yards. Customer's Own Leather (COL) requires 52 square feet. See Order Information in Appendices.

Dimensions

Casters



Glides



Specification Information

Step 1.

ES204	A	\$4324
--------------	----------	--------

Step 2. Casters/Glides

BSC	2" soft double wheel caster, hard floors or carpet, black A	+\$0
GD	½" glide, hard floors or carpet A	+\$0
MD	2" soft double wheel caster, hard floors or carpet, chrome A	+\$0
UD	2" hard double wheel caster, carpet, black painted A	+\$0
VD	2" hard double wheel caster, carpet, chrome A	+\$0

Step 3. Base Finish

L	polished aluminum A	+\$0
BK	black A	+\$17
91	white A	+\$22

Step 4. Frame Finish

For polished aluminum (L)

L	polished aluminum A	+\$0
----------	----------------------------	------

For black (BK)

BK	black A	+\$66
G2	graphite satin A	+\$66

For white (91)

91	white A	+\$82
-----------	----------------	-------

Step 5. Fabric

See application chart and textiles list for fabric usage and numbers. First 2 digits of number indicate fabric line; remaining digit(s) indicate fabric color.

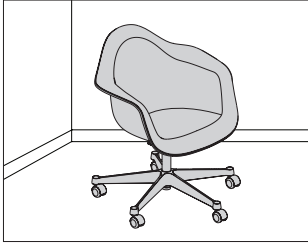
Price Category 1	+\$0
Price Category 2	+\$75
Price Category 3	+\$169
Price Category (Geiger) 3	+\$169
Price Category 4	+\$270
Price Category (Geiger) 4	+\$270
Price Category 5	+\$339
Price Category (Geiger) 5	+\$339
Price Category 6	+\$0
Price Category (Geiger) 6	+\$342
Price Category 7	+\$360
Price Category (Geiger) 7	+\$360
Price Category 9	+\$649

Eames® Executive Chair *continued*

Price Category (Geiger) 10	+\$706
Price Category 10M	+\$1219
Price Category 11	+\$877
Price Category (Geiger) 11	+\$877
Price Category B	+\$99
Price Category C	+\$138
Price Category D	+\$176
Price Category E	+\$213
Price Category F	+\$275
Price Category G	+\$358
Price Category H	+\$435
Price Category I	+\$511
Price Category J	+\$588
Price Category K	+\$664
Price Category L	+\$740
Price Category M	+\$817
Price Category N	+\$893
Price Category O	+\$1270
Price Category P	+\$1046
Price Category Q	+\$1126
Price Category R	+\$2098
Price Category V	+\$2434

Eames® Task Chair, Arm Shell

PACCF.
PACCP.



Product Information

Description

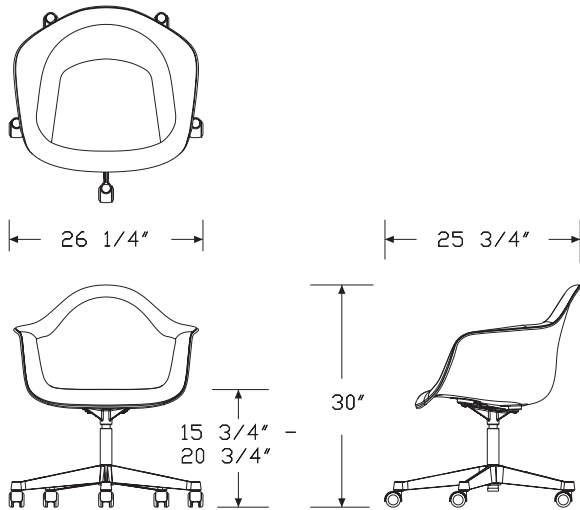
This task chair is an extension of the Eames® shell chair family, offering select shell and upholstery combinations on a 5-star base with a pneumatic height adjustment range of up to 5". The arm shell has a single-piece molded plastic or fiberglass shell with waterfall edges and available upholstery options. Shell color and upholstery options mirror the existing Eames Molded Plastic and Fiberglass Arm Chair portfolio. Task chair upholstered with textiles or leather is for indoor use only. Ships assembled.

Notes

For upholstered seat pad (P), Customer's Own Material (COM) requires 1 yard. Customer's Own Leather (COL) requires 9 square feet. See Order Information in appendices.

5-star base has 1/2" glides (GD) for hard floors or carpet. For description of glide, see Casters & Glides in appendices.

Dimensions



Specification Information

Step 1.

PACC A

Step 2. Material

P. plastic A

F. fiberglass A

Step 3. Upholstery

N nonupholstered A

P upholstered seat pad A

U fully upholstered shell A

Prices for Steps 1-3.

PACCP. N	\$948
P	\$1069
U	\$1201

PACCF. N	\$1231
P	\$1353
U	\$1485

Step 4. Back Finish

For plastic (P.)

4T	aqua sky <input type="checkbox"/> A	+\$0
9J	sparrow <input type="checkbox"/> A	+\$0
ZA	black <input type="checkbox"/> A	+\$0
ZE	red orange <input type="checkbox"/> A	+\$0
ZF	white <input type="checkbox"/> A	+\$0
ZM	alpine <input type="checkbox"/> A	+\$0
PYW	pale yellow <input type="checkbox"/> A	+\$0
BLH	blush <input type="checkbox"/> A	+\$0
PBL	peacock blue <input type="checkbox"/> A	+\$0
STN	stone <input type="checkbox"/> A	+\$0
KGR	kelly green <input type="checkbox"/> A	+\$0
CHL	charcoal <input type="checkbox"/> A	+\$0

Eames® Task Chair, Arm Shell

continued

HermanMiller Collection—Work Chairs

For fiberglass (F.)

111	parchment <input type="checkbox"/>	+\$0
112	elephant hide grey <input type="checkbox"/>	+\$0
113	ultramarine blue <input type="checkbox"/>	+\$0
114	red orange <input type="checkbox"/>	+\$0
115	lemon yellow <input type="checkbox"/>	+\$0
116	green <input type="checkbox"/>	+\$0
117	navy blue <input type="checkbox"/>	+\$0
118	black <input type="checkbox"/>	+\$0
119	seal brown <input type="checkbox"/>	+\$0
TCA	terra cotta <input type="checkbox"/>	+\$0
DKS	dark seafoam <input type="checkbox"/>	+\$0

Step 5. Edge Finish

For fully upholstered shell (U)

111	parchment <input type="checkbox"/>	+\$0
BK	black <input type="checkbox"/>	+\$0
ZF	white <input type="checkbox"/>	+\$0

Step 6. Fabric

For upholstered seat pad (P)

Price Category 1	+\$0
Price Category 2	+\$37
Price Category 3	+\$30
Price Category 4	+\$34
Price Category (Geiger) 4	+\$34
Price Category 5	+\$37
Price Category (Geiger) 5	+\$61
Price Category (Geiger) 6	+\$81
Price Category 7	+\$115
Price Category (Geiger) 7	+\$111
Price Category 8	+\$146
Price Category (Geiger) 8	+\$146
Price Category 9	+\$216
Price Category 11	+\$262
Price Category B	+\$30
Price Category C	+\$50
Price Category G	+\$170
Price Category H	+\$210
Price Category K	+\$380

For fully upholstered shell (U)

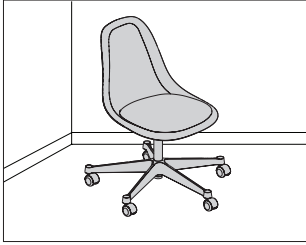
Price Category 1 <input type="checkbox"/>	+\$0
Price Category 2	+\$26
Price Category 5	+\$37
Price Category B	+\$30
Price Category H	+\$210
Price Category K	+\$380

Step 7. Casters

MD	2" soft double wheel caster, hard floors or carpet, chrome <input type="checkbox"/>	+\$0
VD	2" hard double wheel caster, carpet, chrome <input type="checkbox"/>	+\$0
BSC	2" soft double wheel caster, hard floors or carpet, black <input type="checkbox"/>	+\$0
UD	2" hard double wheel caster, carpet, black painted <input type="checkbox"/>	+\$0

Eames® Task Chair, Side Shell

PSCCD.
PSCCF.
PSCCP.
PSCCR.



Product Information

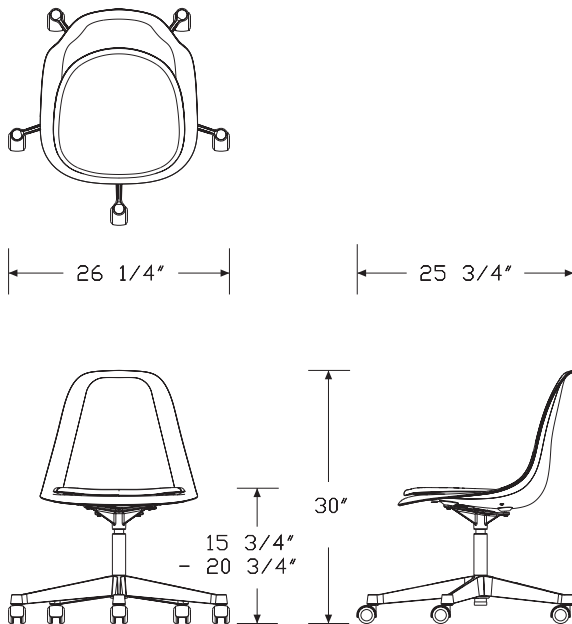
Description

This task chair is an extension of the Eames® shell chair family, offering select shell and upholstery combinations on a 5-star base with a pneumatic height-adjustment range of up to 5". The plastic, fiberglass and wood side chairs have a single-piece molded shell with waterfall edges and available upholstery options. The wire shell is available with upholstered seat and back or with upholstered seat only. Wire shell is available in trivalent chrome or powder-coated white or black. Task chair upholstered with textiles or leather is for indoor use only. Ships assembled.

Notes

Customer's Own Material/Customer's Own Leather not available.
5-star base has 1/2" glides (GD) for hard floors or carpet. For description of glide, see Casters & Glides in appendices.

Dimensions



Specification Information

Step 1.

PSCC A

Step 2. Material

P. plastic A

F. fiberglass A

D. wood A

R. wire A

Step 3. Upholstery

For plastic (P.) or fiberglass (F.)

N nonupholstered A

P upholstered seat pad A

U fully upholstered shell A

For wood (D.)

N nonupholstered A

P upholstered seat pad A

For wire (R.)

2 wire shell/upholstered seat/back A

5 wire shell/upholstered seat/wire back A

Prices for Steps 1-3.

PSCCP. N	\$806
P	\$927
U	\$1024
PSCCF. N	\$1089
P	\$1211
U	\$1307
PSCCD. N	\$1328
P	\$1449
PSCCR. 2	\$1733
5	\$1378

Eames® Task Chair, Side Shell

continued

HermanMiller Collection—Work Chairs

Step 4. Back Finish

For plastic (P.)

4T	aqua sky <input type="checkbox"/>	+\$0
9J	sparrow <input type="checkbox"/>	+\$0
ZA	black <input type="checkbox"/>	+\$0
ZE	red orange <input type="checkbox"/>	+\$0
ZF	white <input type="checkbox"/>	+\$0
ZM	alpine <input type="checkbox"/>	+\$0
PYW	pale yellow <input type="checkbox"/>	+\$0
BLH	blush <input type="checkbox"/>	+\$0
PBL	peacock blue <input type="checkbox"/>	+\$0
STN	stone <input type="checkbox"/>	+\$0
KGR	kelly green <input type="checkbox"/>	+\$0
CHL	charcoal <input type="checkbox"/>	+\$0

For fiberglass (F.)

111	parchment <input type="checkbox"/>	+\$0
112	elephant hide grey <input type="checkbox"/>	+\$0
113	ultramarine blue <input type="checkbox"/>	+\$0
114	red orange <input type="checkbox"/>	+\$0
115	lemon yellow <input type="checkbox"/>	+\$0
116	green <input type="checkbox"/>	+\$0
117	navy blue <input type="checkbox"/>	+\$0
118	black <input type="checkbox"/>	+\$0
119	seal brown <input type="checkbox"/>	+\$0
TCA	terra cotta <input type="checkbox"/>	+\$0
DKS	dark seafoam <input type="checkbox"/>	+\$0

For wood (D.)

9N	santos palisander <input type="checkbox"/>	+\$289
A2	white ash <input type="checkbox"/>	+\$116
EN	ebony <input type="checkbox"/>	+\$116
OU	walnut <input type="checkbox"/>	+\$0

For wire (R.)

47	trivalent chrome <input type="checkbox"/>	+\$20
91	white <input type="checkbox"/>	+\$0
BK	black <input type="checkbox"/>	+\$0

Step 5. Edge Finish

For fully upholstered shell (U)

111	parchment <input type="checkbox"/>	+\$0
BK	black <input type="checkbox"/>	+\$0
ZF	white <input type="checkbox"/>	+\$0

Step 6. Fabric

For upholstered seat pad (P)

Price Category 1	+\$0
Price Category 2	+\$25
Price Category 3	+\$30
Price Category 4	+\$33
Price Category (Geiger) 4	+\$34
Price Category 5	+\$35
Price Category (Geiger) 5	+\$35
Price Category (Geiger) 6	+\$88
Price Category 7	+\$111
Price Category (Geiger) 7	+\$111
Price Category 8	+\$146
Price Category (Geiger) 8	+\$146
Price Category 9	+\$209
Price Category 11	+\$254
Price Category B	+\$30
Price Category C	+\$50
Price Category G	+\$170
Price Category H	+\$210
Price Category K	+\$380

For fully upholstered shell (U)

Price Category 1 <input type="checkbox"/>	+\$0
Price Category 2	+\$25
Price Category 5	+\$35
Price Category B	+\$30
Price Category H	+\$210
Price Category K	+\$380

For wire shell/upholstered seat/back (2)

Price Category 5	+\$59
Price Category 9	+\$209
Price Category 11	+\$254
Price Category D	+\$59
Price Category K	+\$380

For wire shell/upholstered seat/wire back (5)

Price Category 2	+\$25
Price Category 5	+\$59
Price Category 9	+\$209
Price Category 11	+\$254
Price Category D	+\$59
Price Category G	+\$170
Price Category H	+\$210
Price Category K	+\$380

Eames® Task Chair, Side Shell

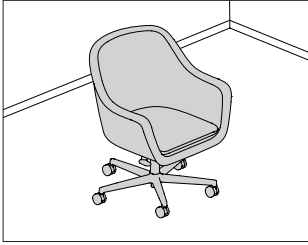
continued

Step 7. Casters

MD	2" soft double wheel caster, hard floors or carpet, chrome <input type="checkbox"/> A	+\$0
VD	2" hard double wheel caster, carpet, chrome <input type="checkbox"/> A	+\$0
BSC	2" soft double wheel caster, hard floors or carpet, black <input type="checkbox"/> A	+\$0
UD	2" hard double wheel caster, carpet, black painted <input type="checkbox"/> A	+\$0

Bumper Conference Chair

SBR5N



Product Information

Description

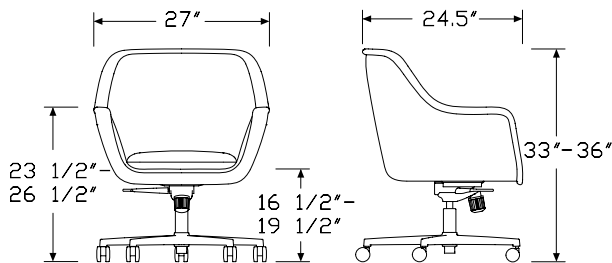
This conference chair has upholstered inner and outer shells and arm cap, each made from one continuous piece of fabric or leather, and an upholstered seat cushion. The frame is rigid molded urethane with foam inserts. The 5-star swivel base is polished cast aluminum, available with several dual-wheel caster options.

Notes

Customers Own Material (COM) requires 2½ yards for the shell inside and outside, an additional 1¾ yards for the arm cap and cushion, or 4¼ yards when specify entire chair in the same fabric. See Order Information in Appendices.

Customers Own Leather (COL) requires 45 square feet for the shell inside and outside, an additional 31½ square feet for the arm cap and cushion, or 76½ yards when specify entire chair in the same leather. See Order Information in Appendices.

Dimensions



Specification Information

Step 1.

SBR5N A \$2037

Step 2. Shell Upholstery

Price Category 1	+\$0
Price Category (Geiger) 2	+\$122
Price Category 2	+\$122
Price Category (Geiger) 3	+\$153
Price Category 3	+\$153
Price Category (Geiger) 4	+\$186
Price Category 4	+\$186
Price Category (Geiger) 5	+\$271
Price Category 5	+\$271
Price Category (Geiger) 6	+\$356
Price Category (Geiger) 7	+\$441
Price Category (Geiger) 8	+\$675
Price Category 9	+\$838
Price Category (Geiger) 10	+\$964
Price Category (Geiger) 11	+\$1080
Price Category 11	+\$1080
Price Category (Geiger) 14	+\$0
Price Category (Geiger) C	+\$137
Price Category (Geiger) D	+\$181
Price Category (Geiger) E	+\$220
Price Category (Geiger) F	+\$263
Price Category (Geiger) G	+\$359
Price Category (Geiger) H	+\$446
Price Category (Geiger) I	+\$539
Price Category (Geiger) J	+\$632
Price Category (Geiger) K	+\$725
Price Category (Geiger) L	+\$817
Price Category (Geiger) M	+\$910
Price Category (Geiger) N	+\$1003
Price Category (Geiger) O	+\$1095
Price Category (Geiger) P	+\$1185
Price Category (Geiger) Q	+\$1368
Price Category (Geiger) R	+\$1906
Price Category (Geiger) S	+\$2048
Price Category (Geiger) T	+\$2189
Price Category (Geiger) U	+\$2331
Price Category (Geiger) X	+\$2756
Price Category (Geiger) Y	+\$2898
Price Category (Geiger) COL A	+\$135
Price Category (Geiger) COM A	+\$0

Bumper Conference Chair *continued*

Step 3. Arm Cap and Cushion Upholstery

Price Category 1	+\$0
Price Category (Geiger) 2	+\$0
Price Category 2	+\$85
Price Category (Geiger) 3	+\$107
Price Category 3	+\$107
Price Category (Geiger) 4	+\$130
Price Category 4	+\$130
Price Category (Geiger) 5	+\$190
Price Category 5	+\$190
Price Category (Geiger) 6	+\$250
Price Category (Geiger) 7	+\$308
Price Category (Geiger) 8	+\$473
Price Category 9	+\$587
Price Category (Geiger) 10	+\$675
Price Category (Geiger) 11	+\$755
Price Category 11	+\$755
Price Category (Geiger) 14	+\$0
Price Category (Geiger) C	+\$96
Price Category (Geiger) D	+\$127
Price Category (Geiger) E	+\$154
Price Category (Geiger) F	+\$185
Price Category (Geiger) G	+\$251
Price Category (Geiger) H	+\$313
Price Category (Geiger) I	+\$377
Price Category (Geiger) J	+\$442
Price Category (Geiger) K	+\$507
Price Category (Geiger) L	+\$572
Price Category (Geiger) M	+\$637
Price Category (Geiger) O	+\$767
Price Category (Geiger) P	+\$830
Price Category (Geiger) Q	+\$957
Price Category (Geiger) R	+\$1334
Price Category (Geiger) S	+\$1433
Price Category (Geiger) X	+\$1930
Price Category (Geiger) Y	+\$2029
Price Category (Geiger) COM <input type="checkbox"/>	+\$0
Price Category (Geiger) COL <input type="checkbox"/>	+\$306

Step 4. Base Finish

CD polished aluminum <input type="checkbox"/>	+\$0
--	------

Step 5. Caster Option

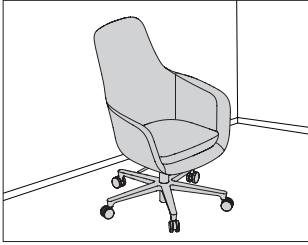
AA 2½" hard double wheel caster, polished cast aluminum yoke, carpet <input type="checkbox"/>	+\$35
BB 2½" hard caster, black yoke, carpet only <input type="checkbox"/>	+\$0
C7 2½" caster, black yoke, hard floors or carpet <input type="checkbox"/>	+\$35

Step 6. Fire Retardancy

NOCAL not fire retardant <input type="checkbox"/>	+\$0
133 fire retardant <input type="checkbox"/>	+\$276

Saiba Multitask Chair

SBN3H
SBN3M



Product Information

Description

This swivel chair has a high back or mid back and a 5-star base with dual wheel casters. It has a tilt mechanism with lock and an adjustable height range of 4 1/4". Seat frame is rigid urethane with polyurethane foam.

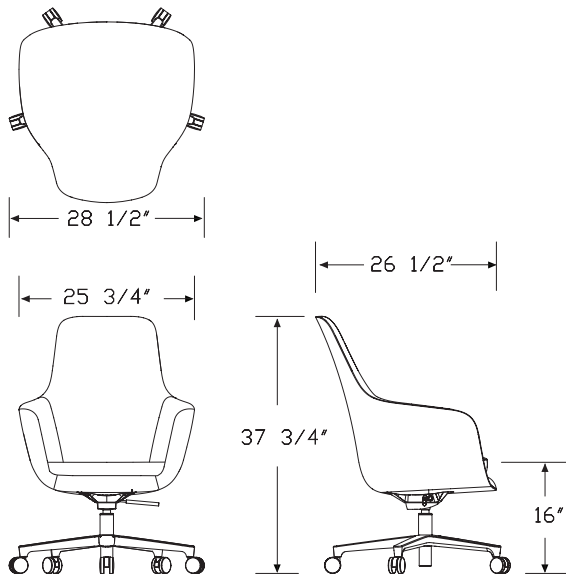
Notes

Cylinder and mechanism color will match base finish.

Casters available only in black.

Customer's Own Material (COM) requires 3 yards for high back (H) or 2 3/4 yards for mid back (M). Customer's Own Leather (COL) requires 54 square feet for high back (H) or 49 1/2 square feet for mid back (M). See Order Information in appendices.

Dimensions



HermanMiller Collection—Work Chairs

Specification Information

Step 1.

SBN3

Step 2. Back Height

M mid back

H high back

Prices for Steps 1-2.

SBN3M	\$2179
SBN3H	\$2280

Step 3. Upholstery

	M	H
Price Category (Geiger) COL <input type="checkbox"/>	+\$0	0
Price Category (Geiger) COM <input type="checkbox"/>	+\$0	0
Price Category 1	+\$0	0
Price Category (Geiger) 2	+\$0	0
Price Category 2	+\$133	183
Price Category (Geiger) 3	+\$167	183
Price Category 3	+\$167	183
Price Category 4	+\$204	223
Price Category (Geiger) 4	+\$204	223
Price Category (Geiger) 5	+\$298	325
Price Category 5	+\$298	325
Price Category (Geiger) 6	+\$358	429
Price Category (Geiger) 7	+\$485	529
Price Category (Geiger) 8	+\$743	810
Price Category 9	+\$921	1005
Price Category (Geiger) 10	+\$1060	1156
Price Category (Geiger) 11	+\$1187	1295
Price Category 11	+\$1187	1295
Price Category (Geiger) C	+\$152	165
Price Category G	+\$396	432
Price Category (Geiger) H	+\$491	535
Price Category (Geiger) F	+\$292	318

Step 4. Base Finish

BK black <input type="checkbox"/>	+\$0
CD polished aluminum <input type="checkbox"/>	+\$0

Step 5. Caster Option

BB hard dual wheels, black yoke <input type="checkbox"/>	+\$0
C7 soft dual wheels, black yoke <input type="checkbox"/>	+\$35

Step 6. Fire Retardancy

NOCAL no cal-133 required <input type="checkbox"/>	+\$0
---	------

Taper Chair

SFA1P
SFA1S
SFA1T
SFA2P
SFA2S
SFA2T



Product Information

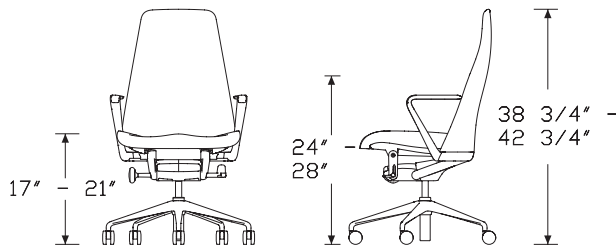
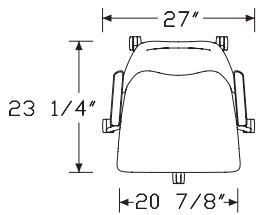
Description

This upholstered executive chair has a contoured high back that provides zonal support. The tilt mechanism uses a pair of adjustable carbon fiber leaf springs that control resistance. The suspended seat uses SuperSeat™ technology to create a deep seat pocket and responsive surface. This chair has a 5-star base with casters and pneumatic seat height adjustment. Fixed-height arms can be specified with either urethane or upholstery options.

Notes

Customer's Own Material (COM) requires 1¾ yards. Customer's Own Leather (COL) requires 31½ square feet. See Order Information in appendices.

Dimensions



Specification Information

Step 1.

SF A

Step 2. Back Height

A high back, full function tilt A

Step 3. Arms

1 upholstered arms A

2 urethane arms A

Step 4. Stitching Detail

P lapped edge with coordinating thread A

S single stitch with contrasting thread A

T single stitch with coordinating thread A

Prices for Steps 1-4.

SFA1P	\$2022
SFA1S	\$1971
SFA1T	\$1920
SFA2P	\$1900
SFA2S	\$1849
SFA2T	\$1799

Step 5. Upholstery

For single stitch with coordinating thread (T)

Price Category (Geiger) COL <input type="checkbox"/> A	+\$126
Price Category (Geiger) COM <input type="checkbox"/> A	+\$0
Price Category (Geiger) 1	+\$0
Price Category (Geiger) 2	+\$86
Price Category (Geiger) 3	+\$108
Price Category 4	+\$130
Price Category (Geiger) 4	+\$130
Price Category 5	+\$190
Price Category (Geiger) 5	+\$190
Price Category (Geiger) 6	+\$179
Price Category (Geiger) 7	+\$309
Price Category 8	+\$473
Price Category 9	+\$587
Price Category (Geiger) 10	+\$675
Price Category 11	+\$757
Price Category (Geiger) 11	+\$757
Price Category G	+\$180

Taper Chair *continued*

For lapped edge with coordinating thread (P)

Price Category (Geiger) COL <input type="checkbox"/> A	+\$126
Price Category (Geiger) 1	+\$0
Price Category (Geiger) 2	+\$86
Price Category 8	+\$473
Price Category 9	+\$587
Price Category (Geiger) 10	+\$675
Price Category 11	+\$757
Price Category (Geiger) 11	+\$757

For single stitch with contrasting thread (S)

Price Category (Geiger) 1	+\$0
Price Category (Geiger) 2	+\$86
Price Category 4	+\$130
Price Category (Geiger) 4	+\$130
Price Category 5	+\$190
Price Category (Geiger) 5	+\$190
Price Category (Geiger) 6	+\$179
Price Category (Geiger) 7	+\$309
Price Category 8	+\$473
Price Category 9	+\$587
Price Category (Geiger) 10	+\$675
Price Category 11	+\$757
Price Category (Geiger) 11	+\$757

Step 6. Arm Upholstery

For upholstered arms (i)

Price Category 4	+\$9
Price Category (Geiger) COL <input type="checkbox"/> A	+\$0
Price Category 5	+\$12
Price Category 8	+\$31
Price Category 9	+\$34
Price Category (Geiger) 10	+\$40
Price Category 11	+\$44
Price Category (Geiger) 11	+\$44

Step 7. Arm/Base Finish

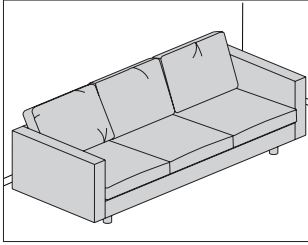
CD polished aluminum <input type="checkbox"/> A	+\$0
G1 graphite <input type="checkbox"/> A	+\$0

Step 8. Casters

BB 2½" hard caster, black yoke, carpet only <input type="checkbox"/> A	+\$0
C7 2½" caster, black yoke, hard floors or carpet <input type="checkbox"/> A	+\$35

Lispenard Sofa

AL510



Product Information

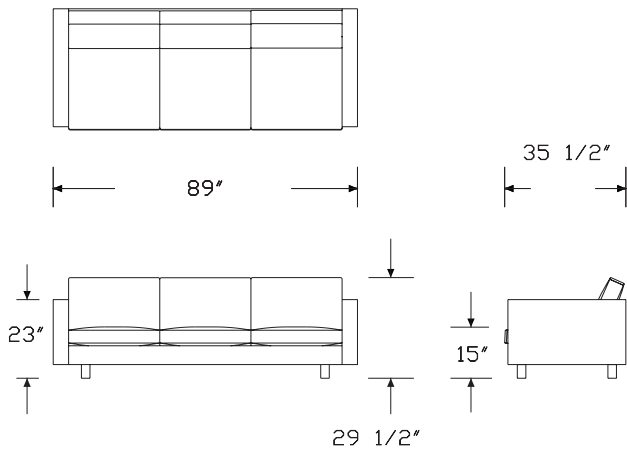
Description

The 3-seat sofa cushion construction features a combination of duck feather and down. The sofa offers a sit height of 15" and a depth of 23 1/2" at a depth pitch of 1 1/4". The 4"-high rounded wooden legs are available in walnut and white oak finishes.

Notes

Customer's Own Material (COM) requires 14 yards. Customer's Own Leather (COL) requires 167 square feet. See Order Information in appendices.

Dimensions



Specification Information

Step 1.

AL51

Step 2. Configuration

003 sofa

Prices for Steps 1-2.

AL51003 \$5381

Step 3. Cushion Alignment

A attached cushions +\$200
U unattached cushions +\$0

Step 4. Leg Finish

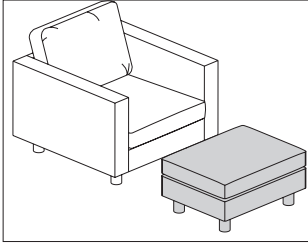
OU walnut +\$0
LTO light oak +\$0

Step 5. Fabric

Price Category 1 +\$0
 Price Category 2 +\$102
 Price Category (Geiger) 3 +\$231
 Price Category 3 +\$213
 Price Category (Geiger) 4 +\$440
 Price Category 4 +\$417
 Price Category (Geiger) 5 +\$920
 Price Category 5 +\$920
 Price Category (Geiger) 6 +\$1036
 Price Category (Geiger) 7 +\$1810
 Price Category 7 +\$1810
 Price Category (Geiger) 9 +\$3740
 Price Category 9 +\$3740
 Price Category 10 +\$3220
 Price Category 11 +\$4240
 Price Category 14 +\$5400
 Price Category D +\$726
 Price Category G +\$1474
 Price Category H +\$1791
 Price Category J +\$2420

Lispenard Ottoman

AL510



Product Information

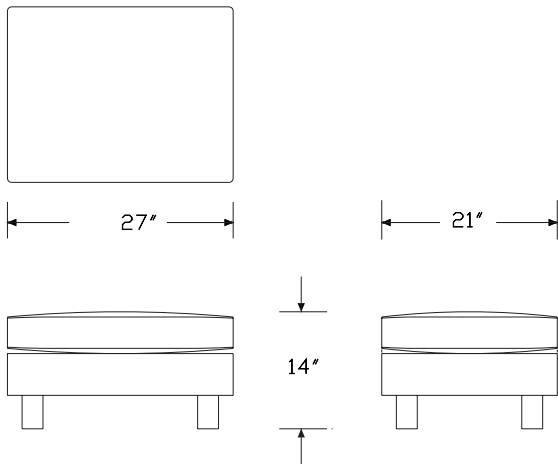
Description

The ottoman cushion construction features a combination of duck feather and down. Sit height is 14". Ottoman is rectangular and measures 21" x 27". The 4"-high rounded wooden legs are available in walnut and white oak finishes.

Notes

Customer's Own Material (COM) requires 3 yards. Customer's Own Leather (COL) requires 36 square feet. See Order Information in appendices.

Dimensions



HermanMiller Collection—Sofas

Specification Information

Step 1.

AL51

Step 2. Configuration

004 ottoman

Prices for Steps 1-2.

AL51004 \$1773

Step 3. Leg Finish

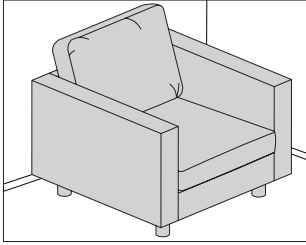
OU walnut +\$0
LTO light oak +\$0

Step 4. Fabric

Price Category 1 +\$0
 Price Category 2 +\$22
 Price Category (Geiger) 3 +\$50
 Price Category 3 +\$46
 Price Category (Geiger) 4 +\$94
 Price Category 4 +\$89
 Price Category (Geiger) 5 +\$152
 Price Category 5 +\$152
 Price Category (Geiger) 6 +\$222
 Price Category (Geiger) 7 +\$660
 Price Category 7 +\$660
 Price Category (Geiger) 9 +\$860
 Price Category 9 +\$860
 Price Category 10 +\$1120
 Price Category 11 +\$1210
 Price Category 14 +\$1870
 Price Category D +\$156
 Price Category G +\$316
 Price Category H +\$384
 Price Category J +\$519

Lispenard Chair

AL510



Product Information

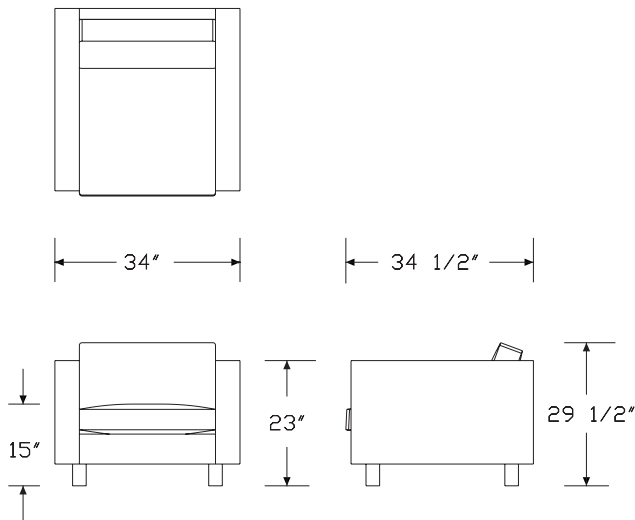
Description

The armchair cushion construction features a combination of duck feather and down. The chair offers a sit height of 15" and a depth of 23 1/2" at a depth pitch of 1 1/4". The 4"-high rounded wooden legs are available in walnut and white oak finishes.

Notes

Customer's Own Material (COM) requires 6 yards. Customer's Own Leather (COL) requires 85 square feet. See Order Information in appendices.

Dimensions



Specification Information

Step 1.

AL51

Step 2. Configuration

000 armchair

Prices for Steps 1-2.

AL51000 \$3223

Step 3. Cushion Alignment

A attached cushions +\$70
U unattached cushions +\$0

Step 4. Leg Finish

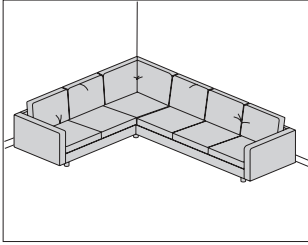
OU walnut +\$0
LTO light oak +\$0

Step 5. Fabric

Price Category 1 +\$0
 Price Category 2 +\$44
 Price Category (Geiger) 3 +\$99
 Price Category 3 +\$91
 Price Category (Geiger) 4 +\$188
 Price Category 4 +\$304
 Price Category (Geiger) 5 +\$304
 Price Category 5 +\$304
 Price Category (Geiger) 6 +\$444
 Price Category (Geiger) 7 +\$630
 Price Category 7 +\$630
 Price Category (Geiger) 9 +\$1980
 Price Category 9 +\$1980
 Price Category 10 +\$1420
 Price Category 11 +\$2240
 Price Category 14 +\$2740
 Price Category D +\$311
 Price Category G +\$632
 Price Category H +\$768
 Price Category J +\$1037

Lispenard Sectional

AL510



Product Information

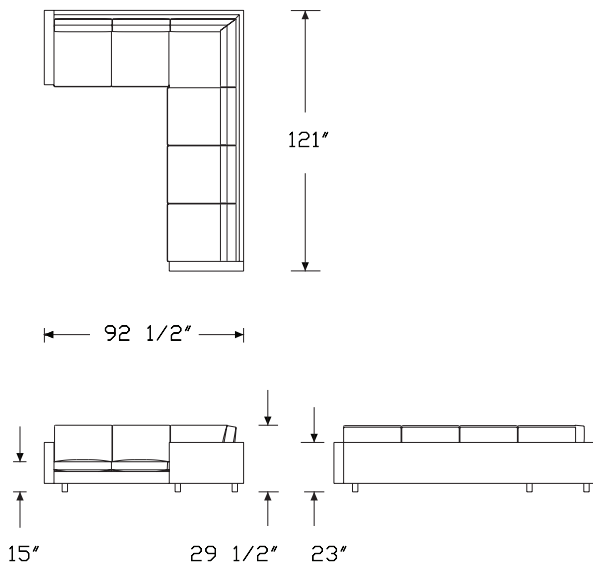
Description

The corner sectional's cushion construction features a combination of duck feather and down. Sit height is 15" with a depth of 23 1/2" at a depth pitch of 1 1/4". The 4"-high rounded wooden legs are available in walnut and white oak finishes.

Notes

For corner sectional, right (AL51005), right side dimension is 121" (longer side). The right side is determined from the seated position.
 For corner sectional, left (AL51006), left side dimension is 121" (longer side). The left side is determined from the seated position.
 Customer's Own Material (COM) requires 28 yards. Customer's Own Leather (COL) requires 336 square feet. See Order Information in appendices.

Dimensions



HermanMiller Collection—Sofas

Specification Information

Step 1.

AL51

Step 2. Configuration

- 005** corner sectional, right
- 006** corner sectional, left

Prices for Steps 1-2.

AL51005	\$11006
AL51006	\$11006

Step 3. Cushion Alignment

A	attached cushions	+\$380
U	unattached cushions	+\$0

Step 4. Leg Finish

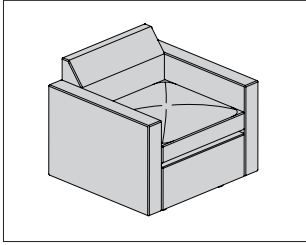
OU	walnut	+\$0
LTO	light oak	+\$0

Step 5. Fabric

Price Category 1	+\$0
Price Category 2	+\$204
Price Category (Geiger) 3	+\$462
Price Category 3	+\$426
Price Category (Geiger) 4	+\$879
Price Category 4	+\$834
Price Category (Geiger) 5	+\$1417
Price Category 5	+\$1417
Price Category (Geiger) 6	+\$2071
Price Category (Geiger) 7	+\$2940
Price Category 7	+\$2940
Price Category (Geiger) 9	+\$7550
Price Category 9	+\$7550
Price Category 10	+\$5220
Price Category 11	+\$8550
Price Category 14	+\$8750
Price Category D	+\$1453
Price Category G	+\$2947
Price Category H	+\$3583
Price Category J	+\$4840

Bevel Club Chair

AL6C1



Product Information

Description

This chair features wood frame construction, fire retardant free foam and down topper. Legs are wood in ebony finish. Ganging hardware included.

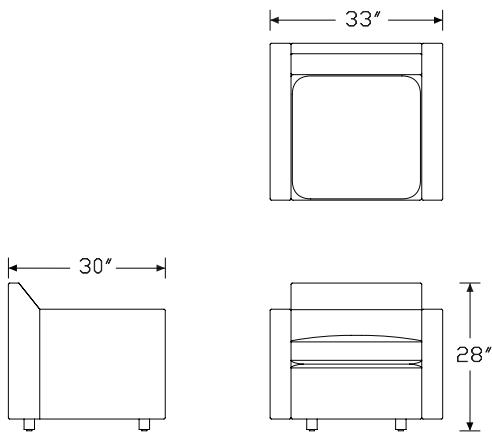
Notes

Handedness is determined from a seated position.

Customer's Own Material (COM) requires 7 yards. Customer's Own Leather (COL) requires 144 square feet. See Order Information in Appendices.

Limited textile selection available. See application chart in appendices.

Dimensions



Specification Information

Step 1.

AL6C

Step 2. Configuration

1000 club chair

Prices for Steps 1-2.

AL6C1000 \$2974

Step 3. Leg Finish

EN ebony +\$0

Step 4. Fabric

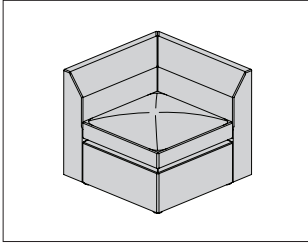
Price Category 1	+\$0
Price Category 2	+\$61
Price Category 3	+\$120
Price Category (Geiger) 3	+\$120
Price Category 4	+\$227
Price Category (Geiger) 4	+\$227
Price Category 5	+\$381
Price Category (Geiger) 5	+\$381
Price Category (Geiger) 6	+\$534
Price Category 7	+\$716
Price Category (Geiger) 7	+\$716
Price Category 9	+\$1181
Price Category (Geiger) 9	+\$1181
Price Category 10	+\$1420
Price Category 11	+\$1659
Price Category 14	+\$2494
Price Category D	+\$376
Price Category G	+\$762
Price Category H	+\$925
Price Category J	+\$1249

Step 5. Fire Retardancy

NFR not fire retardant	+\$0
FR fire retardant	+\$150

Bevel Corner

AL6C1



Product Information

Description

This corner features wood frame construction, fire retardant free foam and down topper. Legs are wood in ebony finish. Ganging hardware included.

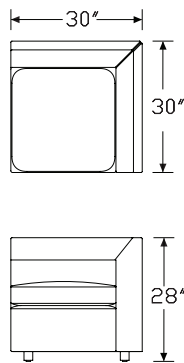
Notes

Handedness is determined from a seated position.

Customer's Own Material (COM) requires 7 yards. Customer's Own Leather (COL) requires 144 square feet. See Order Information in Appendices.

Limited textile selection available. See application chart in appendices.

Dimensions



Specification Information

Step 1.

AL6C

Step 2. Configuration

1005 corner

Prices for Steps 1-2.

AL6C1005 \$2852

Step 3. Leg Finish

EN ebony +\$0

Step 4. Fabric

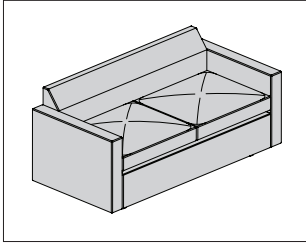
Price Category 1	+\$0
Price Category 2	+\$61
Price Category 3	+\$120
Price Category (Geiger) 3	+\$120
Price Category 4	+\$227
Price Category (Geiger) 4	+\$227
Price Category 5	+\$381
Price Category (Geiger) 5	+\$381
Price Category (Geiger) 6	+\$534
Price Category 7	+\$716
Price Category (Geiger) 7	+\$716
Price Category 9	+\$1181
Price Category (Geiger) 9	+\$1181
Price Category 10	+\$1420
Price Category 11	+\$1659
Price Category 14	+\$2494
Price Category D	+\$376
Price Category G	+\$762
Price Category H	+\$925
Price Category J	+\$1249

Step 5. Fire Retardancy

NFR not fire retardant	+\$0
FR fire retardant	+\$0

Bevel Settee

AL6C1



Product Information

Description

This settee features wood frame construction, fire retardant free foam and down top. It is available with or without arms or in left-arm or right-arm configuration. Legs are wood in ebony finish. Ganging hardware included. Shipped on end.

Notes

Handedness is determined from a seated position.

Customer's Own Material (COM) requires the following yardage:

Configuration—Yards

1002—9

1002A—8

1002R—8

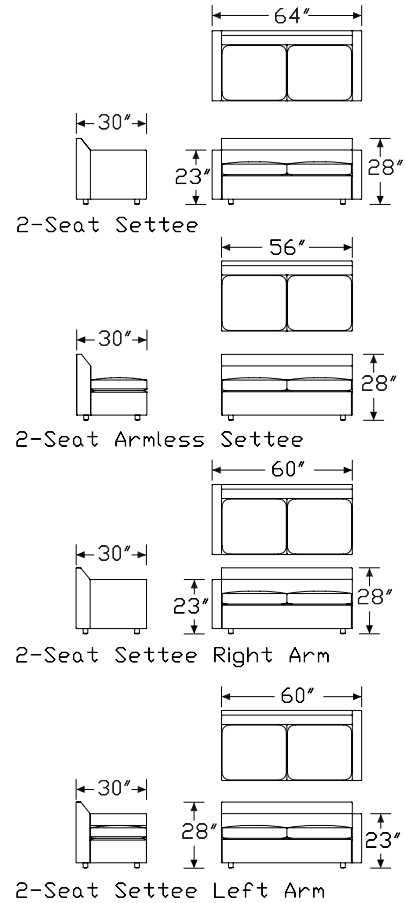
1002L—8

Customer's Own Leather (COL) requires 216 square feet. See Order

Information in Appendices.

Limited textile selection available. See application chart in appendices.

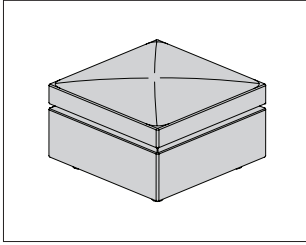
Dimensions



Specification Information		
Step 1.		
AL6C		
Step 2. Configuration		
1002	2-seat settee	
1002A	2-seat armless settee	
1002R	2-seat settee right arm	
1002L	2-seat settee left arm	
Prices for Steps 1-2.		
AL6C1002		\$3887
AL6C1002A		\$3440
AL6C1002R		\$3645
AL6C1002L		\$3645
Step 3. Leg Finish		
EN	ebony	+\$0
Step 4. Fabric		
	Price Category 1	+\$0
	Price Category 2	+\$75
	Price Category 3	+\$145
	Price Category (Geiger) 3	+\$145
	Price Category 4	+\$276
	Price Category (Geiger) 4	+\$276
	Price Category 5	+\$462
	Price Category (Geiger) 5	+\$462
	Price Category (Geiger) 6	+\$648
	Price Category 7	+\$648
	Price Category (Geiger) 7	+\$870
	Price Category 9	+\$1434
	Price Category (Geiger) 9	+\$1434
	Price Category 10	+\$1725
	Price Category 11	+\$2014
	Price Category 14	+\$3028
	Price Category D	+\$457
	Price Category G	+\$924
	Price Category H	+\$1123
	Price Category J	+\$1517
Step 5. Fire Retardancy		
NFR	not fire retardant	+\$0
FR	fire retardant	+\$300

Bevel Ottoman

AL6C0



Product Information

Description

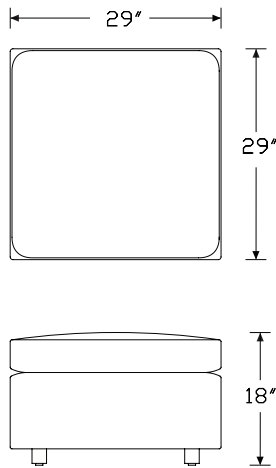
This ottoman features wood frame construction, fire retardant free foam and down topper. Legs are wood in ebony finish. Ganging hardware included.

Notes

Customer's Own Material (COM) requires 4 yards. Customer's Own Leather (COL) requires 72 square feet. See Order Information in Appendices.

Limited textile selection available. See application chart in appendices.

Dimensions



Specification Information

Step 1.

AL6C

Step 2. Configuration

0400 ottoman

Prices for Steps 1-2.

AL6C0400 \$2058

Step 3. Leg Finish

EN ebony +\$0

Step 4. Fabric

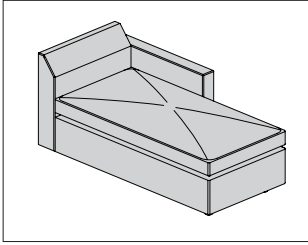
Price Category 1	+\$0
Price Category 2	+\$36
Price Category 3	+\$68
Price Category (Geiger) 3	+\$68
Price Category 4	+\$130
Price Category (Geiger) 4	+\$130
Price Category 5	+\$218
Price Category (Geiger) 5	+\$218
Price Category (Geiger) 6	+\$305
Price Category 7	+\$409
Price Category (Geiger) 7	+\$409
Price Category 9	+\$675
Price Category (Geiger) 9	+\$675
Price Category 10	+\$812
Price Category 11	+\$948
Price Category 14	+\$1425
Price Category D	+\$216
Price Category G	+\$435
Price Category H	+\$529
Price Category J	+\$714

Step 5. Fire Retardancy

NFR not fire retardant	+\$0
FR fire retardant	+\$100

Bevel Chaise

AL6C1



Product Information

Description

This chaise features wood frame construction, fire retardant free foam and down topper. It is available in left-arm or right-arm configuration. Legs are wood in ebony finish. Ganging hardware included. Shipped on end.

Notes

Handedness is determined from a seated position.

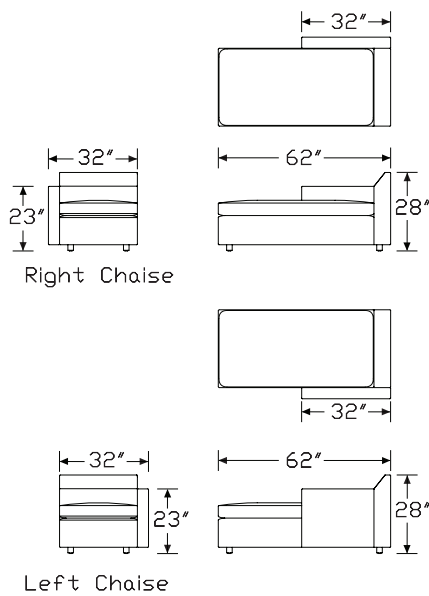
Customer's Own Material (COM) requires 9 yards. Customer's Own

Leather (COL) requires 144 square feet. See Order Information in

Appendices.

Limited textile selection available. See application chart in appendices.

Dimensions



Specification Information

Step 1.

AL6C

Step 2. Direction

1004L left chaise

1004R right chaise

Prices for Steps 1-2.

AL6C1004L	\$3708
AL6C1004R	\$3708

Step 3. Leg Finish

EN ebony	+\$0
-----------------	------

Step 4. Fabric

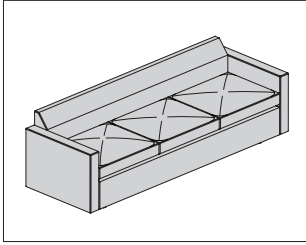
Price Category 1	+\$0
Price Category 2	+\$79
Price Category 3	+\$154
Price Category (Geiger) 3	+\$154
Price Category 4	+\$292
Price Category (Geiger) 4	+\$292
Price Category 5	+\$489
Price Category (Geiger) 5	+\$489
Price Category (Geiger) 6	+\$686
Price Category 7	+\$921
Price Category (Geiger) 7	+\$921
Price Category 9	+\$1518
Price Category (Geiger) 9	+\$1518
Price Category 10	+\$1826
Price Category 11	+\$2133
Price Category 14	+\$3206
Price Category D	+\$485
Price Category G	+\$979
Price Category H	+\$1189
Price Category J	+\$1605

Step 5. Fire Retardancy

NFR not fire retardant	+\$0
FR fire retardant	+\$250

Bevel Sofa

AL6C1



Product Information

Description

This sofa features wood frame construction, fire retardant free foam and down topper. It is available with or without arms or in left-arm or right-arm configuration. Legs are wood in ebony finish. Ganging hardware included. Shipped on end.

Notes

Handedness is determined from a seated position.

Customer's Own Material (COM) requires the following yardage:

Configuration—Yards

1003—11

1003A—10

1003R—10

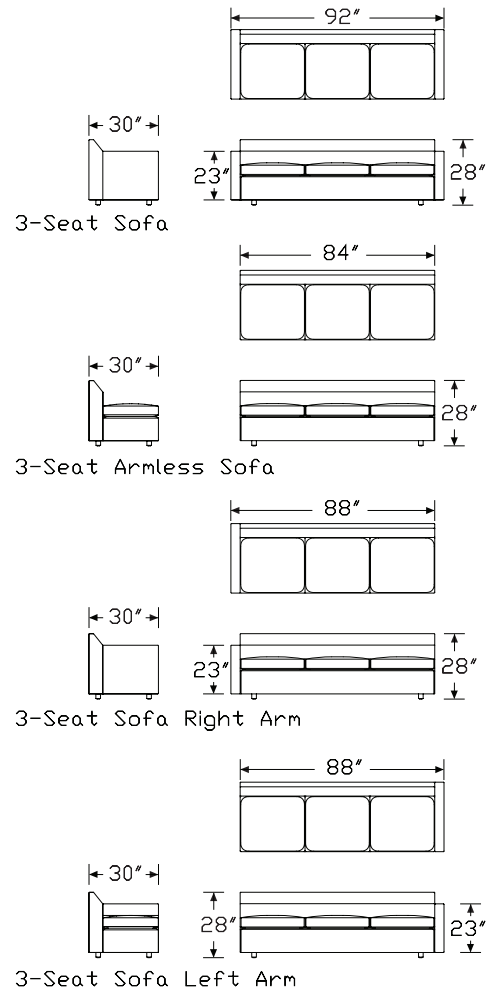
1003L—10

Customer's Own Leather (COL) requires 216 square feet. See Order

Information in Appendices.

Limited textile selection available. See application chart in appendices.

Dimensions



Specification Information

Step 1.

AL6C

Step 2. Configuration

- 1003** 3-seat sofa
- 1003A** 3-seat armless sofa
- 1003R** 3-seat sofa right arm
- 1003L** 3-seat sofa left arm

Prices for Steps 1-2.

AL6C1003	\$4915
AL6C1003A	\$4462
AL6C1003R	\$4671
AL6C1003L	\$4671

Step 3. Leg Finish

EN ebony + \$0

Step 4. Fabric

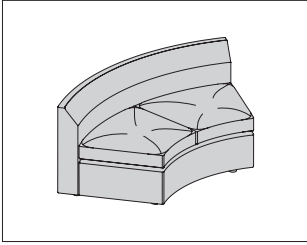
Price Category 1	+ \$0
Price Category 2	+ \$91
Price Category 3	+ \$179
Price Category (Geiger) 3	+ \$179
Price Category 4	+ \$340
Price Category (Geiger) 4	+ \$340
Price Category 5	+ \$570
Price Category (Geiger) 5	+ \$570
Price Category (Geiger) 6	+ \$801
Price Category 7	+ \$1075
Price Category (Geiger) 7	+ \$1075
Price Category 9	+ \$1771
Price Category (Geiger) 9	+ \$1771
Price Category 10	+ \$2130
Price Category 11	+ \$2489
Price Category 14	+ \$3740
Price Category D	+ \$565
Price Category G	+ \$1142
Price Category H	+ \$1388
Price Category J	+ \$1873

Step 5. Fire Retardancy

NFR not fire retardant	+ \$0
FR fire retardant	+ \$350

Bevel Curved Settee

AL6C2
AL6C3



Product Information

Description

This curved settee features wood frame construction, fire retardant free foam and down topper. Legs are wood in ebony finish. Ganging hardware included.

Notes

Customer's Own Material (COM) requires the following yardage:

Configuration—Yards

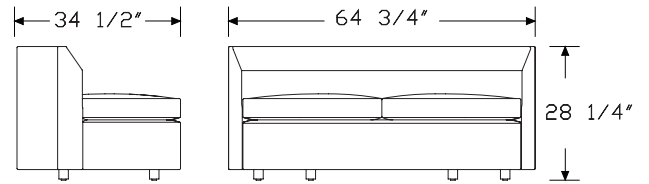
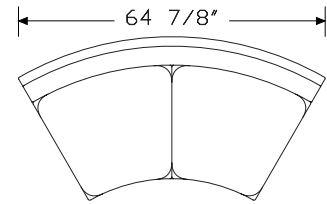
2000—9

3000—10

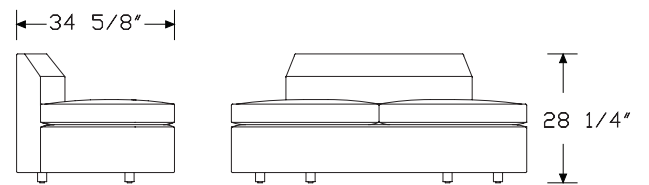
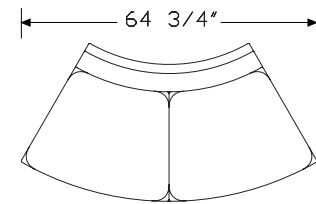
Customer's Own Leather (COL) requires 83 square feet. See Order Information in Appendices.

Limited textile selection available. See application chart in appendices.

Dimensions



Curved Settee - Inside Curve



Curved Settee - Outside Curve

Bevel Curved Settee *continued*

Specification Information

Step 1.

AL6C

Step 2. Configuration

2000 inside curve

3000 outside curve

Prices for Steps 1-2.

AL6C2000 \$3692

AL6C3000 \$3692

Step 3. Leg Finish

EN ebony +\$0

Step 4. Fabric

Price Category 1 +\$0

Price Category 2 +\$83

Price Category 3 +\$162

Price Category (Geiger) 3 +\$162

Price Category 4 +\$307

Price Category (Geiger) 4 +\$307

Price Category 5 +\$517

Price Category (Geiger) 5 +\$517

Price Category (Geiger) 6 +\$725

Price Category 7 +\$972

Price Category (Geiger) 7 +\$972

Price Category 9 +\$1602

Price Category (Geiger) 9 +\$1602

Price Category 10 +\$1927

Price Category 11 +\$2252

Price Category 14 +\$3384

Price Category D +\$496

Price Category G +\$1034

Price Category H +\$1255

Price Category J +\$1695

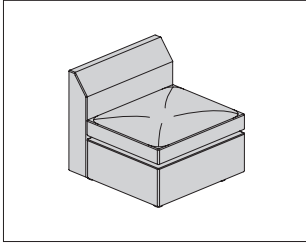
Step 5. Fire Retardancy

NFR not fire retardant +\$0

FR fire retardant +\$300

Bevel Single Seat

AL6C0



Product Information

Description

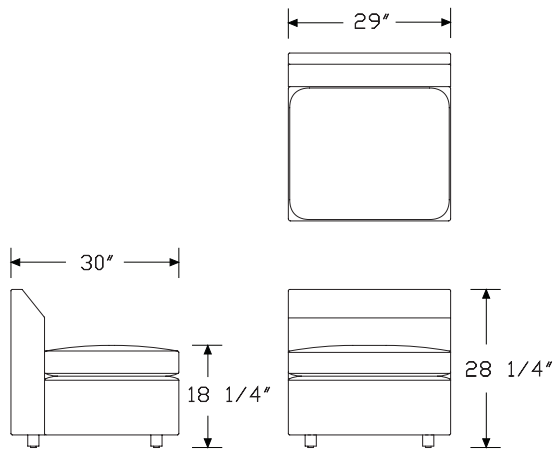
This single seat features wood frame construction, fire retardant free foam and down topper. Legs are wood in ebony finish. Ganging hardware included.

Notes

Customer's Own Material (COM) requires 5 yards. Customer's Own Leather (COL) requires 49 square feet. See Order Information in Appendices.

Limited textile selection available. See application chart in appendices.

Dimensions



Specification Information

Step 1.

AL6C

Step 2. Configuration

0800 single seat

Prices for Steps 1-2.

AL6C0800 \$2453

Step 3. Leg Finish

EN ebony +\$0

Step 4. Fabric

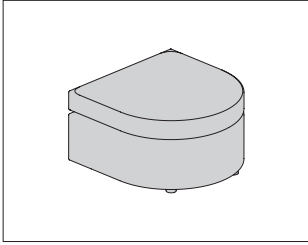
Price Category 1	+\$0
Price Category 2	+\$44
Price Category 3	+\$86
Price Category (Geiger) 3	+\$86
Price Category 4	+\$162
Price Category (Geiger) 4	+\$162
Price Category 5	+\$271
Price Category (Geiger) 5	+\$271
Price Category (Geiger) 6	+\$382
Price Category 7	+\$511
Price Category (Geiger) 7	+\$511
Price Category 9	+\$844
Price Category (Geiger) 9	+\$844
Price Category 10	+\$1014
Price Category 11	+\$1185
Price Category 14	+\$1781
Price Category D	+\$261
Price Category G	+\$544
Price Category H	+\$661
Price Category J	+\$892

Step 5. Fire Retardancy

NFR not fire retardant	+\$0
FR fire retardant	+\$150

Bevel Rounded Ottoman

AL6C0



Product Information

Description

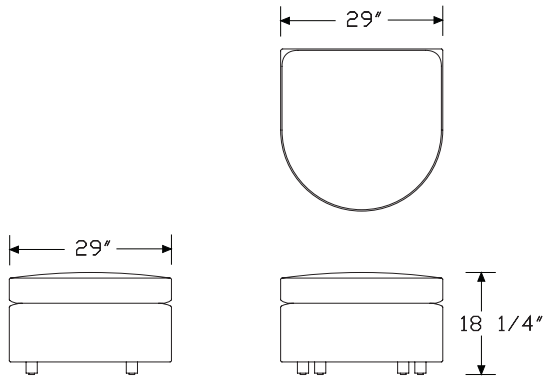
This rounded ottoman features wood frame construction, fire retardant free foam and down topper. Legs are wood in ebony finish. Connection hardware included.

Notes

Customer's Own Material (COM) requires 2½ yards. Customer's Own Leather (COL) requires 35 square feet. See Order Information in Appendices.

Limited textile selection available. See application chart in appendices.

Dimensions



Specification Information

Step 1.

AL6C

Step 2. Configuration

0600 rounded ottoman

Prices for Steps 1-2.

AL6C0600 \$2269

Step 3. Leg Finish

EN ebony +\$0

Step 4. Fabric

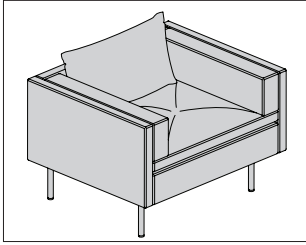
Price Category 1	+\$0
Price Category 2	+\$22
Price Category 3	+\$43
Price Category (Geiger) 3	+\$43
Price Category 4	+\$82
Price Category (Geiger) 4	+\$82
Price Category 5	+\$136
Price Category (Geiger) 5	+\$136
Price Category (Geiger) 6	+\$191
Price Category 7	+\$256
Price Category (Geiger) 7	+\$256
Price Category 9	+\$422
Price Category (Geiger) 9	+\$422
Price Category 10	+\$507
Price Category 11	+\$593
Price Category 14	+\$891
Price Category D	+\$130
Price Category G	+\$272
Price Category H	+\$331
Price Category J	+\$446

Step 5. Fire Retardancy

NFR not fire retardant	+\$0
FR fire retardant	+\$100

Bolster Club Chair

AL1C1



Product Information

Description

This chair features wood frame construction, fire retardant free foam and down topper. Base finish is brushed stainless. Ganging hardware included.

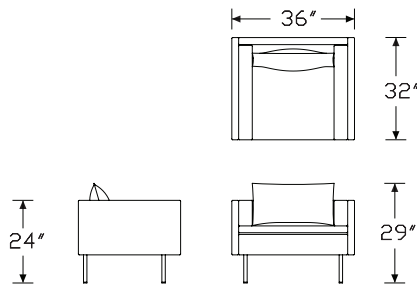
Notes

Handedness is determined from a seated position.

Customer's Own Material (COM) requires 7 yards. Customer's Own Leather (COL) requires 144 square feet. See Order Information in Appendices.

Limited textile selection available. See application chart in appendices.

Dimensions



Specification Information

Step 1.

AL1C

Step 2. Configuration

1000 club chair

Step 3. Upholstery Assignment

S single fabric

Prices for Steps 1-3.

AL1C1000 S \$3433

Step 4. Leg Finish

BRS brushed stainless +\$0

Step 5. Fabric

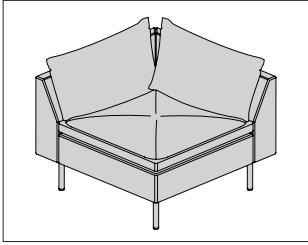
Price Category 1	+\$0
Price Category 2	+\$465
Price Category 3	+\$558
Price Category (Geiger) 3	+\$558
Price Category 4	+\$726
Price Category (Geiger) 4	+\$726
Price Category 5	+\$783
Price Category (Geiger) 5	+\$783
Price Category (Geiger) 6	+\$940
Price Category 7	+\$1222
Price Category (Geiger) 7	+\$1222
Price Category 9	+\$2068
Price Category (Geiger) 9	+\$2068
Price Category 10	+\$2277
Price Category 11	+\$2375
Price Category 14	+\$2682
Price Category D	+\$419
Price Category G	+\$846
Price Category H	+\$1027
Price Category J	+\$1388

Step 6. Fire Retardancy

NFR not fire retardant	+\$0
FR fire retardant	+\$150

Bolster Corner

AL1C1



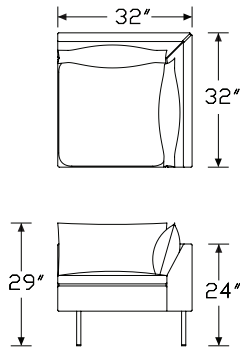
Product Information

Description
 This corner features wood frame construction, fire retardant free foam and down topper. Base finish is brushed stainless. Ganging hardware included.

Notes

Handedness is determined from a seated position.
 Customer's Own Material (COM) requires 7 yards. Customer's Own Leather (COL) requires 101 square feet. See Order Information in Appendices.
 Limited textile selection available. See application chart in appendices.

Dimensions



HermanMiller Collection—Sofas

Specification Information

Step 1.

AL1C

Step 2. Configuration

1005 corner

Step 3. Upholstery Assignment

S single fabric

Prices for Steps 1-3.

AL1C1005 S \$3015

Step 4. Leg Finish

BRS brushed stainless +\$0

Step 5. Fabric

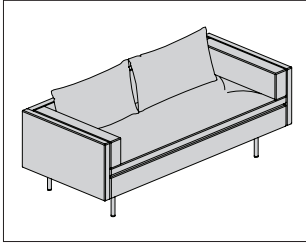
Price Category 1	+\$0
Price Category 2	+\$435
Price Category 3	+\$522
Price Category (Geiger) 3	+\$522
Price Category 4	+\$678
Price Category (Geiger) 4	+\$678
Price Category 5	+\$754
Price Category (Geiger) 5	+\$754
Price Category (Geiger) 6	+\$927
Price Category 7	+\$1177
Price Category (Geiger) 7	+\$1177
Price Category 9	+\$2025
Price Category (Geiger) 9	+\$2025
Price Category 10	+\$2060
Price Category 11	+\$2251
Price Category 14	+\$2641
Price Category D	+\$419
Price Category G	+\$846
Price Category H	+\$1027
Price Category J	+\$1388

Step 6. Fire Retardancy

NFR not fire retardant	+\$0
FR fire retardant	+\$150

Bolster Settee

AL1C1



Product Information

Description

This settee features wood frame construction, fire retardant free foam and down topper. It is available with or without arms or in left-arm or right-arm configuration. Base finish is brushed stainless. Ganging hardware included. Shipped on end.

Notes

Handedness is determined from a seated position.

Fabric is railroaded.

Customer's Own Material (COM) requires the following yardage:

Configuration—Yards

1002—11

1002A—10

1002R—10

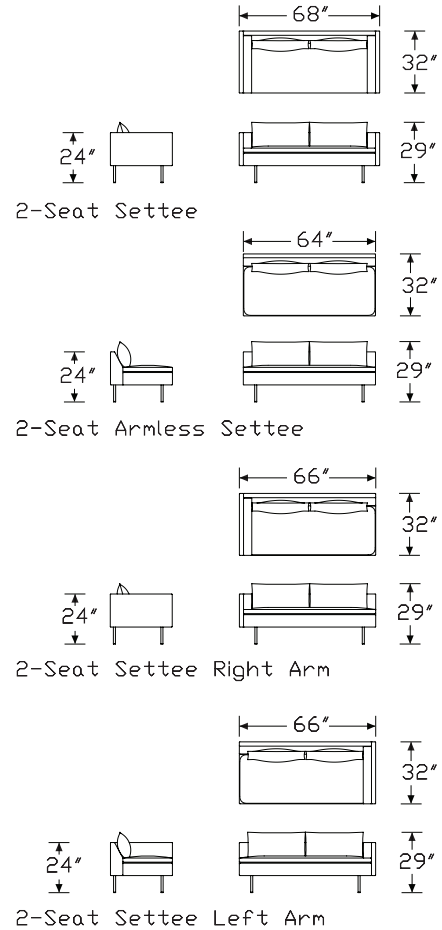
1002L—9

Customer's Own Leather (COL) requires 140 square feet. See Order

Information in Appendices.

Limited textile selection available. See application chart in appendices.

Dimensions



Bolster Settee *continued*

Specification Information

Step 1.
AL1C

Step 2. Configuration

- 1002** 2-seat settee
- 1002A** 2-seat armless settee
- 1002R** 2-seat settee right arm
- 1002L** 2-seat settee left arm

Step 3. Upholstery Assignment

- S** single fabric

Prices for Steps 1-3.

AL1C1002 S	\$4637
AL1C1002A S	\$3808
AL1C1002R S	\$4223
AL1C1002L S	\$4223

Step 4. Leg Finish

- BRS** brushed stainless + \$0

Step 5. Fabric

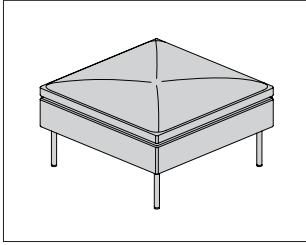
Price Category 1	+ \$0
Price Category 2	+ \$677
Price Category 3	+ \$812
Price Category (Geiger) 3	+ \$812
Price Category 4	+ \$1056
Price Category (Geiger) 4	+ \$1056
Price Category 5	+ \$1178
Price Category (Geiger) 5	+ \$1178
Price Category (Geiger) 6	+ \$1414
Price Category 7	+ \$1837
Price Category (Geiger) 7	+ \$1837
Price Category 9	+ \$3917
Price Category (Geiger) 9	+ \$3935
Price Category 10	+ \$4120
Price Category 11	+ \$4360
Price Category 14	+ \$4429
Price Category D	+ \$588
Price Category G	+ \$1209
Price Category H	+ \$1468
Price Category J	+ \$1982

Step 6. Fire Retardancy

NFR not fire retardant	+ \$0
FR fire retardant	+ \$300

Bolster Ottoman

AL1C0



Product Information

Description

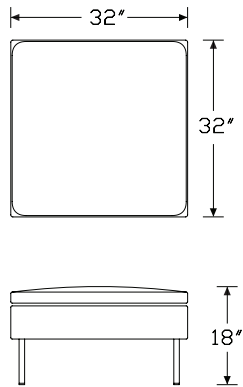
This ottoman features wood frame construction, fire retardant free foam and down topper. Base finish is brushed stainless. Ganging hardware included.

Notes

Customer's Own Material (COM) requires 4 yards. Customer's Own Leather (COL) requires 72 square feet. See Order Information in Appendices.

Limited textile selection available. See application chart in appendices.

Dimensions



Specification Information

Step 1.

AL1C

Step 2. Configuration

0400 ottoman

Prices for Steps 1-2.

AL1C0400 \$2083

Step 3. Leg Finish

BRS brushed stainless +\$0

Step 4. Fabric

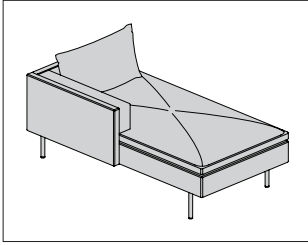
Price Category 1	+\$0
Price Category 2	+\$274
Price Category 3	+\$329
Price Category (Geiger) 3	+\$329
Price Category 4	+\$428
Price Category (Geiger) 4	+\$415
Price Category 5	+\$456
Price Category (Geiger) 5	+\$442
Price Category (Geiger) 6	+\$530
Price Category 7	+\$711
Price Category (Geiger) 7	+\$711
Price Category 9	+\$1060
Price Category (Geiger) 9	+\$1060
Price Category 10	+\$1133
Price Category 11	+\$1177
Price Category 14	+\$1534
Price Category D	+\$239
Price Category G	+\$484
Price Category H	+\$588
Price Category J	+\$794

Step 5. Fire Retardancy

NFR not fire retardant	+\$0
FR fire retardant	+\$100

Bolster Chaise

AL1C1



Product Information

Description

This chaise features wood frame construction, fire retardant free foam and down topper. It is available in left-arm or right-arm configuration. Base finish is brushed stainless. Ganging hardware included.

Notes

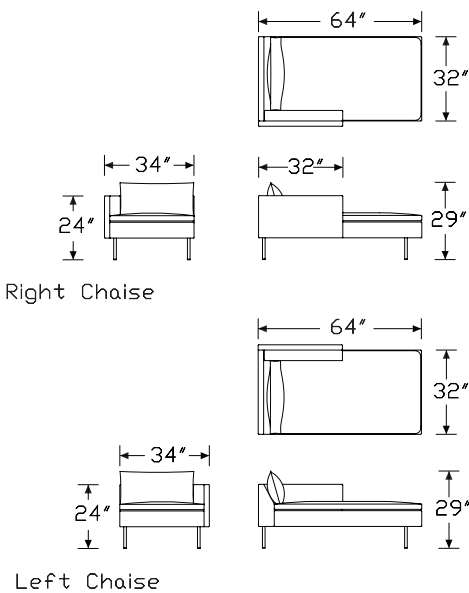
Handedness is determined from a seated position.

Fabric is railroaded.

Customer's Own Material (COM) requires 9 yards. Customer's Own Leather (COL) requires 144 square feet. See Order Information in Appendices.

Limited textile selection available. See application chart in appendices.

Dimensions



Specification Information

Step 1.

AL1C

Step 2. Direction

1004L left chaise

1004R right chaise

Step 3. Upholstery Assignment

S single fabric

Prices for Steps 1-3.

AL1C1004L S \$3975

AL1C1004R S \$3975

Step 4. Leg Finish

BRS brushed stainless +\$0

Step 5. Fabric

Price Category 1	+\$0
Price Category 2	+\$567
Price Category 3	+\$680
Price Category (Geiger) 3	+\$680
Price Category 4	+\$884
Price Category (Geiger) 4	+\$884
Price Category 5	+\$976
Price Category (Geiger) 5	+\$976
Price Category (Geiger) 6	+\$1171
Price Category 7	+\$1522
Price Category (Geiger) 7	+\$1522
Price Category 9	+\$2846
Price Category (Geiger) 9	+\$2846
Price Category 10	+\$2884
Price Category 11	+\$3165
Price Category 14	+\$3403
Price Category D	+\$538
Price Category G	+\$1087
Price Category H	+\$1321
Price Category J	+\$1783

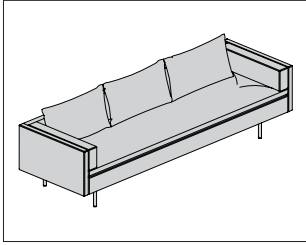
Step 6. Fire Retardancy

NFR not fire retardant +\$0

FR fire retardant +\$250

Bolster Sofa

AL1C1



Product Information

Description

This sofa features wood frame construction, fire retardant free foam and down topper. It is available with or without arms or in left-arm or right-arm configuration. Base finish is brushed stainless. Ganging hardware included.

Notes

Handedness is determined from a seated position.

Fabric is railroaded.

Customer's Own Material (COM) requires the following yardage:

Configuration—Yards

1003—13

1003A—12

1003R—12

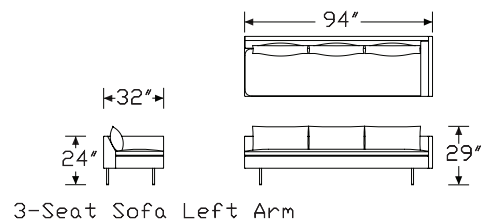
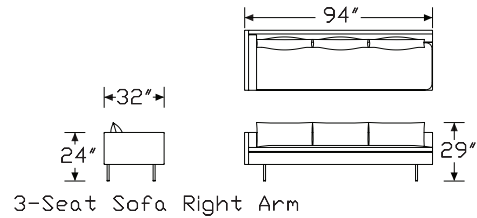
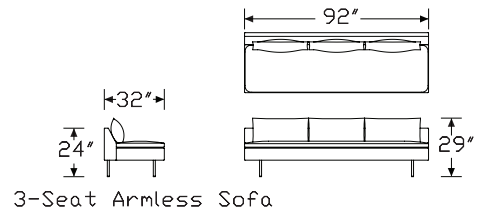
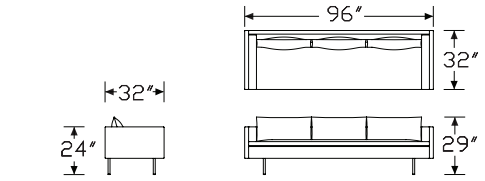
1003L—11

Customer's Own Leather (COL) requires 215 square feet. See Order

Information in Appendices.

Limited textile selection available. See application chart in appendices.

Dimensions



Bolster Sofa *continued*

Specification Information

Step 1.
AL1C

Step 2. Configuration

- 1003** 3-seat sofa
- 1003A** 3-seat armless sofa
- 1003R** 3-seat sofa right arm
- 1003L** 3-seat sofa left arm

Step 3. Upholstery Assignment

- S** single fabric

Prices for Steps 1-3.

AL1C1003 S	\$5393
AL1C1003A S	\$4565
AL1C1003R S	\$4980
AL1C1003L S	\$4980

Step 4. Leg Finish

- BRS** brushed stainless + \$0

Step 5. Fabric

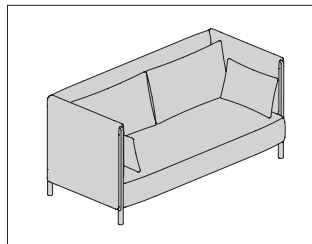
Price Category 1	+ \$0
Price Category 2	+ \$795
Price Category 3	+ \$953
Price Category (Geiger) 3	+ \$953
Price Category 4	+ \$1240
Price Category (Geiger) 4	+ \$1240
Price Category 5	+ \$1386
Price Category (Geiger) 5	+ \$1386
Price Category (Geiger) 6	+ \$1723
Price Category 7	+ \$2161
Price Category (Geiger) 7	+ \$2161
Price Category 9	+ \$4955
Price Category (Geiger) 9	+ \$4955
Price Category 10	+ \$5150
Price Category 11	+ \$5520
Price Category 14	+ \$5665
Price Category D	+ \$717
Price Category G	+ \$1450
Price Category H	+ \$1762
Price Category J	+ \$2379

Step 6. Fire Retardancy

NFR	not fire retardant	+ \$0
FR	fire retardant	+ \$350

ColourForm Sofa, Not Quilted,
Single Textile

AJN10



Product Information

Description

This sofa has wooden frame construction with shaped foam and cover layers folded over the arm rest. Pillows are fiber filled for comfort. A plastic upholstery strip is stitched into the textile allowing the fabric to be stretched and pushed into place over the frame. Sofa is available with or without arms or in left-arm or right-arm configuration.

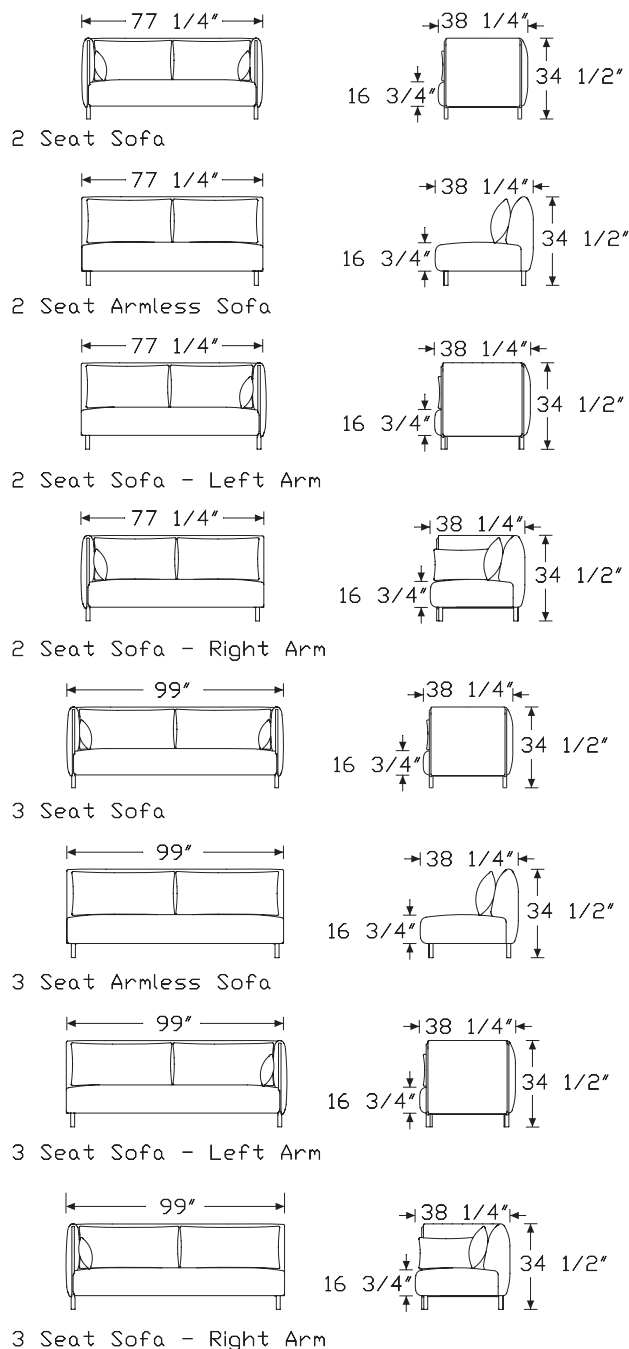
Notes

For modularity, order ganging kit (AJNG) separately.

Handedness is determined from seated position.

Limited textile selection available. See application chart in appendices.

Dimensions



ColourForm Sofa, Not Quilted, Single Textile *continued*

Specification Information

Step 1.

AJN

Step 2. Configuration

1002 2-seat sofa

1002A 2-seat armless sofa

1002R 2-seat sofa right arm

1002L 2-seat sofa left arm

1003 3-seat sofa

1003A 3-seat armless sofa

1003R 3-seat sofa right arm

1003L 3-seat sofa left arm

Step 3. Upholstery Type

N not quilted, single textile

Prices for Steps 1-3.

AJN1002 N \$4782

AJN1002A N \$3070

AJN1002R N \$3955

AJN1002L N \$3955

AJN1003 N \$5154

AJN1003A N \$3576

AJN1003R N \$4422

AJN1003L N \$4422

Step 4. Outside/Inside Fabric

Price Category (Geiger) D +\$1325

Price Category 2 +\$93

Price Category (Geiger) 3 +\$198

Price Category 5 +\$742

Price Category (Geiger) 7 +\$1655

Price Category (Geiger) G +\$1534

Price Category (Geiger) H +\$2136

Price Category (Geiger) I +\$2336

Price Category (Geiger) J +\$3330

Step 5. Leg Finish

EN ebony +\$0

OU walnut +\$0

A2 white ash +\$0

SBA soft blue ash +\$0

SGA soft green ash +\$0

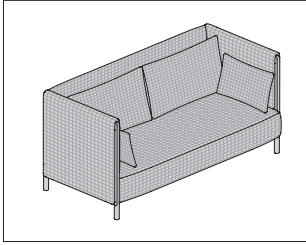
66A recograin frosty ash +\$0

Step 6. Fire Retardancy

NFR not fire retardant +\$0

FR fire retardant +\$900

ColourForm Sofa, Quilted, Single Textile AJN10



Product Information

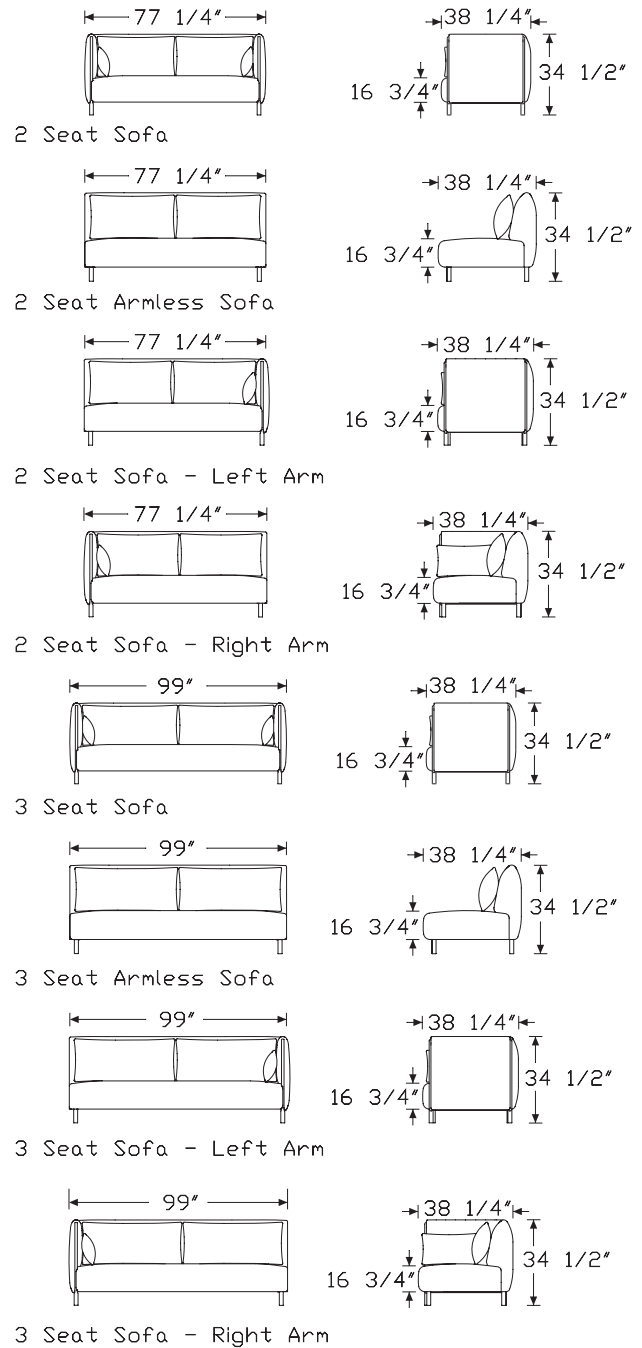
Description

This sofa has wooden frame construction with shaped foam and cover layers folded over the arm rest. Pillows are fiber filled for comfort. A plastic upholstery strip is stitched into the textile allowing the fabric to be stretched and pushed into place over the frame. Sofa is available with or without arms or in left-arm or right-arm configuration.

Notes

For modularity, order ganging kit (AJNG) separately.
 Handedness is determined from seated position.
 Limited textile selection available. See application chart in appendices.

Dimensions



ColourForm Sofa, Quilted, Single

Textile *continued*

Specification Information

Step 1.

AJN

Step 2. Configuration

- 1002** 2-seat sofa
- 1002A** 2-seat armless sofa
- 1002R** 2-seat sofa right arm
- 1002L** 2-seat sofa left arm
- 1003** 3-seat sofa
- 1003A** 3-seat armless sofa
- 1003R** 3-seat sofa right arm
- 1003L** 3-seat sofa left arm

Step 3. Upholstery Type

Q1 quilted, single textile (outside quilted, inside not quilted, same color, same fabric family)

Prices for Steps 1-3.

AJN1002 Q1	\$4782
AJN1002A Q1	\$3070
AJN1002R Q1	\$3955
AJN1002L Q1	\$3955
AJN1003 Q1	\$5154
AJN1003A Q1	\$3576
AJN1003R Q1	\$4422
AJN1003L Q1	\$4422

Step 4. Outside/Inside Fabric

Price Category (Geiger) 3	+\$1303
Price Category 5	+\$1846
Price Category (Geiger) G	+\$2639

Step 5. Leg Finish

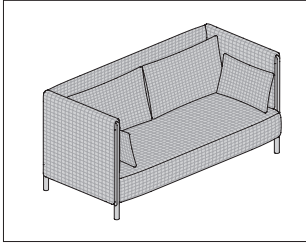
A2 white ash <input type="checkbox"/>	+\$0
EN ebony <input type="checkbox"/>	+\$0
OU walnut <input type="checkbox"/>	+\$0
SBA soft blue ash <input type="checkbox"/>	+\$0
SGA soft green ash <input type="checkbox"/>	+\$0
66A recograin frosty ash <input type="checkbox"/>	+\$0

Step 6. Fire Retardancy

NFR not fire retardant <input type="checkbox"/>	+\$0
FR fire retardant <input type="checkbox"/>	+\$900

ColourForm Sofa, Quilted, Two Textiles

AJN10



Product Information

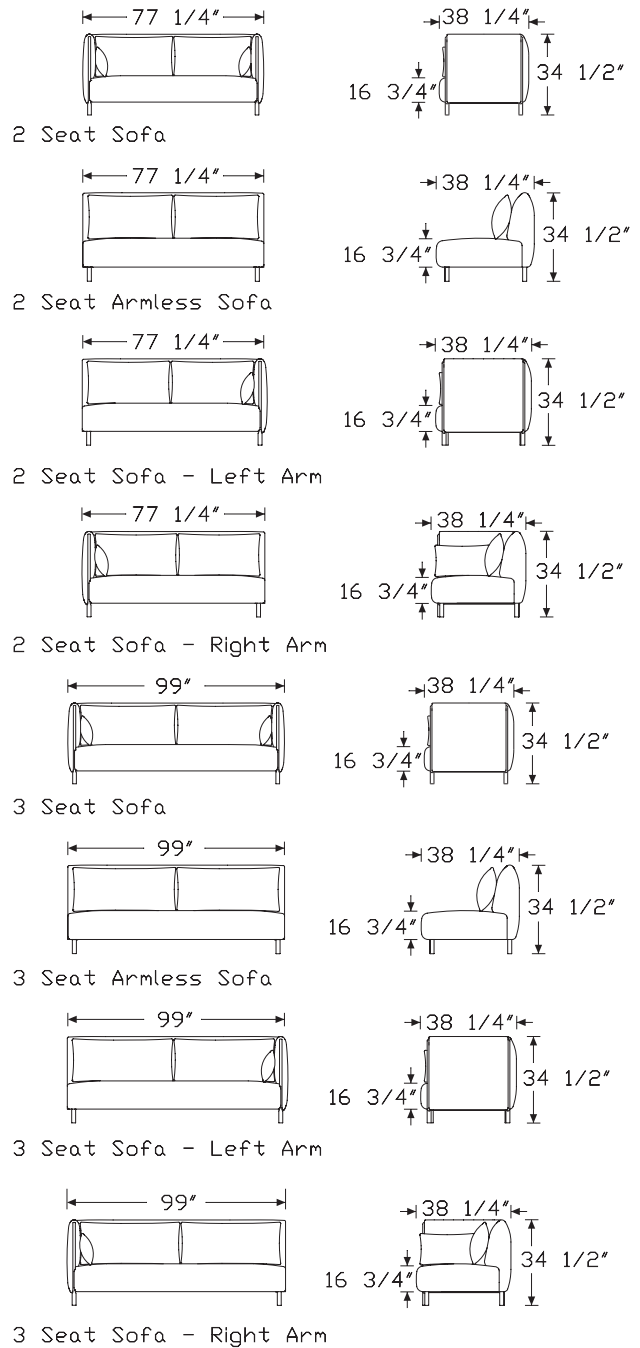
Description

This sofa has wooden frame construction with shaped foam and cover layers folded over the arm rest. Pillows are fiber filled for comfort. A plastic upholstery strip is stitched into the textile allowing the fabric to be stretched and pushed into place over the frame. Sofa is available with arms or in left-arm or right-arm configuration.

Notes

For modularity, order ganging kit (AJNG) separately.
 Handedness is determined from seated position.
 Limited textile selection available. See application chart in appendices.

Dimensions



Herman Miller Collection - Sofas

ColourForm Sofa, Quilted, Two Textiles *continued*

Specification Information

Step 1.

AJN

Step 2. Configuration

1002 2-seat sofa

1002R 2-seat sofa right arm

1002L 2-seat sofa left arm

1003 3-seat sofa

1003R 3-seat sofa right arm

1003L 3-seat sofa left arm

Step 3. Upholstery Type

Q2 quilted, two textiles (outside quilted, inside quilted)

Prices for Steps 1-3.

AJN1002 Q2 \$4782

AJN1002R Q2 \$3955

AJN1002L Q2 \$3955

AJN1003 Q2 \$5154

AJN1003R Q2 \$4422

AJN1003L Q2 \$4422

Step 4. Outside Fabric

Price Category (Geiger) G +\$2639

Step 5. Inside Fabric

Price Category (Geiger) G +\$0

Step 6. Leg Finish

A2 white ash +\$0

EN ebony +\$0

OU walnut +\$0

SBA soft blue ash +\$0

SGA soft green ash +\$0

66A recograin frosty ash +\$0

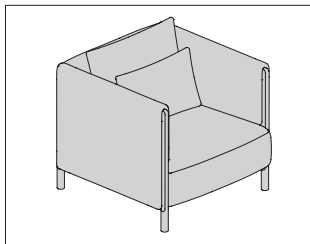
Step 7. Fire Retardancy

NFR not fire retardant +\$0

FR fire retardant +\$900

ColourForm Club Chair, Not Quilted, Single Textile

AJN10



Product Information

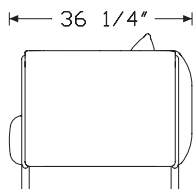
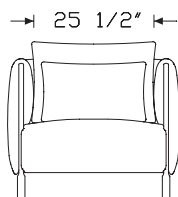
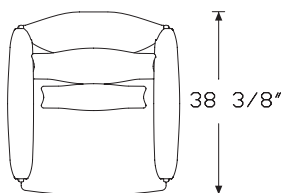
Description

This club chair has wooden frame construction with shaped foam and cover layers folded over the arm rest. Pillows are fiber filled for comfort. A plastic upholstery strip is stitched into the textile allowing the fabric to be stretched and pushed into place over the frame.

Notes

Handedness is determined from seated position.
 Limited textile selection available. See application chart in appendices.

Dimensions



Specification Information

Step 1.

AJN1000 [A]

Step 2. Upholstery Type

N not quilted, single textile [A]

Prices for Steps 1-2.

AJN1000 N \$3621

Step 3. Outside/Inside Fabric

Price Category (Geiger) D	+\$754
Price Category 2	+\$57
Price Category (Geiger) 3	+\$111
Price Category 5	+\$420
Price Category (Geiger) 7	+\$942
Price Category (Geiger) G	+\$873
Price Category (Geiger) H	+\$1215
Price Category (Geiger) I	+\$1328
Price Category (Geiger) J	+\$1895

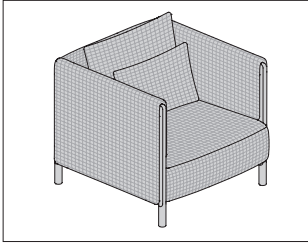
Step 4. Leg Finish

EN ebony [A]	+\$0
OU walnut [A]	+\$0
A2 white ash [A]	+\$0
SBA soft blue ash [A]	+\$0
SGA soft green ash [A]	+\$0
66A recograin frosty ash [A]	+\$0

Step 5. Fire Retardancy

NFR not fire retardant [A]	+\$0
FR fire retardant [A]	+\$495

ColourForm Club Chair, Quilted, Single Textile AJN10



Product Information

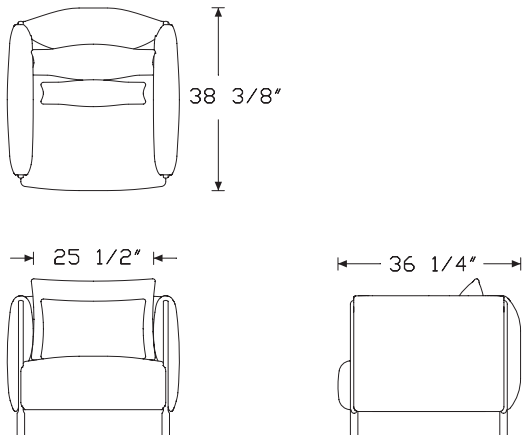
Description

This club chair has wooden frame construction with shaped foam and cover layers folded over the arm rest. Pillows are fiber filled for comfort. A plastic upholstery strip is stitched into the textile allowing the fabric to be stretched and pushed into place over the frame.

Notes

Handedness is determined from seated position.
 Limited textile selection available. See application chart in appendices.

Dimensions



HermanMiller Collection—Sofas

Specification Information

Step 1.

AJN1000 A

Step 2. Upholstery Type

Q1 quilted, single textile (outside quilted, inside not quilted, same color, same fabric family) A

Prices for Steps 1-2.

AJN1000 Q1 \$3621

Step 3. Outside/Inside Fabric

Price Category (Geiger) 3 +\$739
 Price Category 5 +\$1048
 Price Category (Geiger) G +\$1501

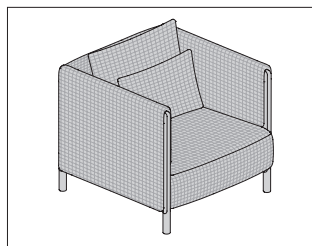
Step 4. Leg Finish

A2 white ash A +\$0
EN ebony A +\$0
OU walnut A +\$0
SBA soft blue ash A +\$0
SGA soft green ash A +\$0
66A recograin frosty ash A +\$0

Step 5. Fire Retardancy

NFR not fire retardant A +\$0
FR fire retardant A +\$495

ColourForm Club Chair, Quilted, Two Textiles AJN10



Product Information

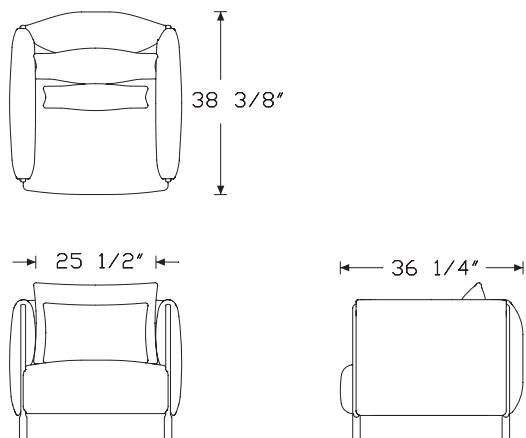
Description

This club chair has wooden frame construction with shaped foam and cover layers folded over the arm rest. Pillows are fiber filled for comfort. A plastic upholstery strip is stitched into the textile allowing the fabric to be stretched and pushed into place over the frame.

Notes

Handedness is determined from seated position.
 Limited textile selection available. See application chart in appendices.

Dimensions



Specification Information

Step 1.

AJN1000 [A]

Step 2. Upholstery Type

Q2 quilted, two textiles (outside quilted, inside quilted) [A]

Prices for Steps 1-2.

AJN1000 Q2 \$3621

Step 3. Outside Fabric

Price Category (Geiger) G +\$1501

Step 4. Inside Fabric

Price Category (Geiger) G +\$0

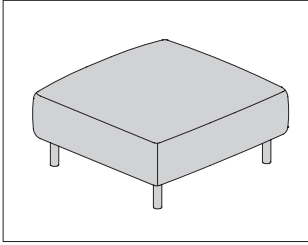
Step 5. Leg Finish

- A2** white ash [A] +\$0
- EN** ebony [A] +\$0
- OU** walnut [A] +\$0
- SBA** soft blue ash [A] +\$0
- SGA** soft green ash [A] +\$0
- 66A** recograin frosty ash [A] +\$0

Step 6. Fire Retardancy

- NFR** not fire retardant [A] +\$0
- FR** fire retardant [A] +\$495

ColourForm Ottoman, Not Quilted, Single Textile AJN04

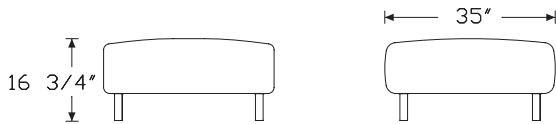


Product Information

Description

This ottoman has wooden frame construction with shaped foam and cover layers folded over the arm rest. Pillows are fiber filled for comfort. A plastic upholstery strip is stitched into the textile allowing the fabric to be stretched and pushed into place over the frame.

Dimensions



HermanMiller Collection—Sofas

Specification Information

Step 1.

AJN0400

Step 2. Upholstery Type

N not quilted, single textile

Prices for Steps 1-2.

AJN0400 N \$1162

Step 3. Ottoman Fabric

Price Category (Geiger) D	+\$160
Price Category 2	+\$16
Price Category (Geiger) 3	+\$26
Price Category 5	+\$88
Price Category (Geiger) 7	+\$200
Price Category (Geiger) G	+\$186
Price Category (Geiger) H	+\$259
Price Category (Geiger) I	+\$283
Price Category (Geiger) J	+\$402

Step 4. Leg Finish

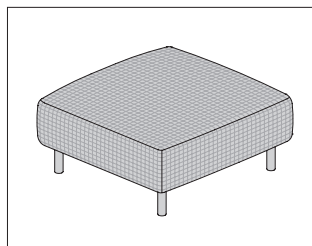
EN ebony <input type="checkbox"/>	+\$0
OU walnut <input type="checkbox"/>	+\$0
A2 white ash <input type="checkbox"/>	+\$0
SBA soft blue ash <input type="checkbox"/>	+\$0
SGA soft green ash <input type="checkbox"/>	+\$0
66A recograin frosty ash <input type="checkbox"/>	+\$0

Step 5. Fire Retardancy

NFR not fire retardant <input type="checkbox"/>	+\$0
FR fire retardant <input type="checkbox"/>	+\$150

ColourForm Ottoman, Quilted,
Single Textile

AJN04

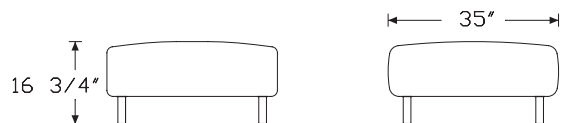


Product Information

Description

This ottoman has wooden frame construction with shaped foam and cover layers folded over the arm rest. Pillows are fiber filled for comfort. A plastic upholstery strip is stitched into the textile allowing the fabric to be stretched and pushed into place over the frame.

Dimensions



Specification Information

Step 1.

AJN0400 [A]

Step 2. Upholstery Type

Q1 quilted, single textile (outside quilted, inside not quilted, same color, same fabric family) [A]

Prices for Steps 1-2.

AJN0400 Q1 \$1162

Step 3. Ottoman Fabric

Price Category (Geiger) 3 +\$155
 Price Category 5 +\$221
 Price Category (Geiger) G +\$320

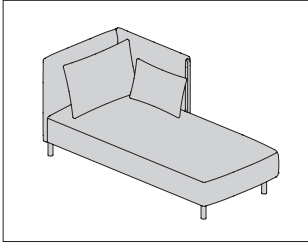
Step 4. Leg Finish

EN ebony [A] +\$0
OU walnut [A] +\$0
A2 white ash [A] +\$0
SBA soft blue ash [A] +\$0
SGA soft green ash [A] +\$0
66A recograin frosty ash [A] +\$0

Step 5. Fire Retardancy

NFR not fire retardant [A] +\$0
FR fire retardant [A] +\$150

ColourForm Chaise, Not Quilted, Single Textile AJN10



Product Information

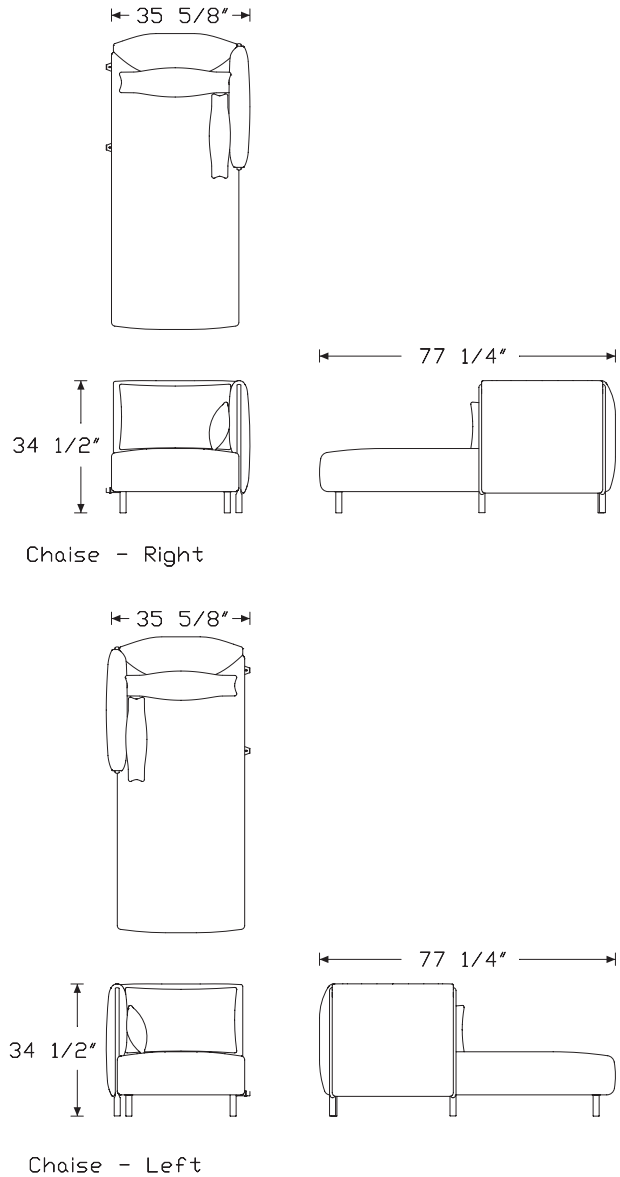
Description

This chaise has wooden frame construction with shaped foam and cover layers folded over the arm rest. Pillows are fiber filled for comfort. A plastic upholstery strip is stitched into the textile allowing the fabric to be stretched and pushed into place over the frame.

Notes

For modularity, order ganging kit (AJNG) separately.
 Handedness is determined from seated position.
 Limited textile selection available. See application chart in appendices.

Dimensions

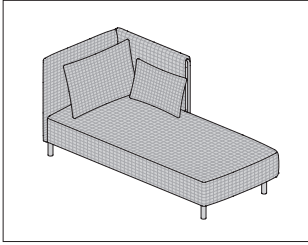


ColourForm Chaise, Not Quilted, Single Textile *continued*

Specification Information	
Step 1.	
AJN	<input type="checkbox"/> A
Step 2. Configuration	
1004R	right chaise <input type="checkbox"/> A
1004L	left chaise <input type="checkbox"/> A
Step 3. Upholstery Type	
N	not quilted, single textile <input type="checkbox"/> A
Prices for Steps 1-3.	
AJN1004R N	\$3692
AJN1004L N	\$3692
Step 4. Outside/Inside Fabric	
Price Category (Geiger) D	+\$868
Price Category 2	+\$62
Price Category (Geiger) 3	+\$129
Price Category 5	+\$853
Price Category (Geiger) 7	+\$1084
Price Category (Geiger) G	+\$1006
Price Category (Geiger) H	+\$1399
Price Category (Geiger) I	+\$1530
Price Category (Geiger) J	+\$2182
Step 5. Leg Finish	
EN	ebony <input type="checkbox"/> A +\$0
OU	walnut <input type="checkbox"/> A +\$0
A2	white ash <input type="checkbox"/> A +\$0
SBA	soft blue ash <input type="checkbox"/> A +\$0
SGA	soft green ash <input type="checkbox"/> A +\$0
66A	recograin frosty ash <input type="checkbox"/> A +\$0
Step 6. Fire Retardancy	
NFR	not fire retardant <input type="checkbox"/> A +\$0
FR	fire retardant <input type="checkbox"/> A +\$570

ColourForm Chaise, Quilted,
Single Textile

AJN10



Product Information

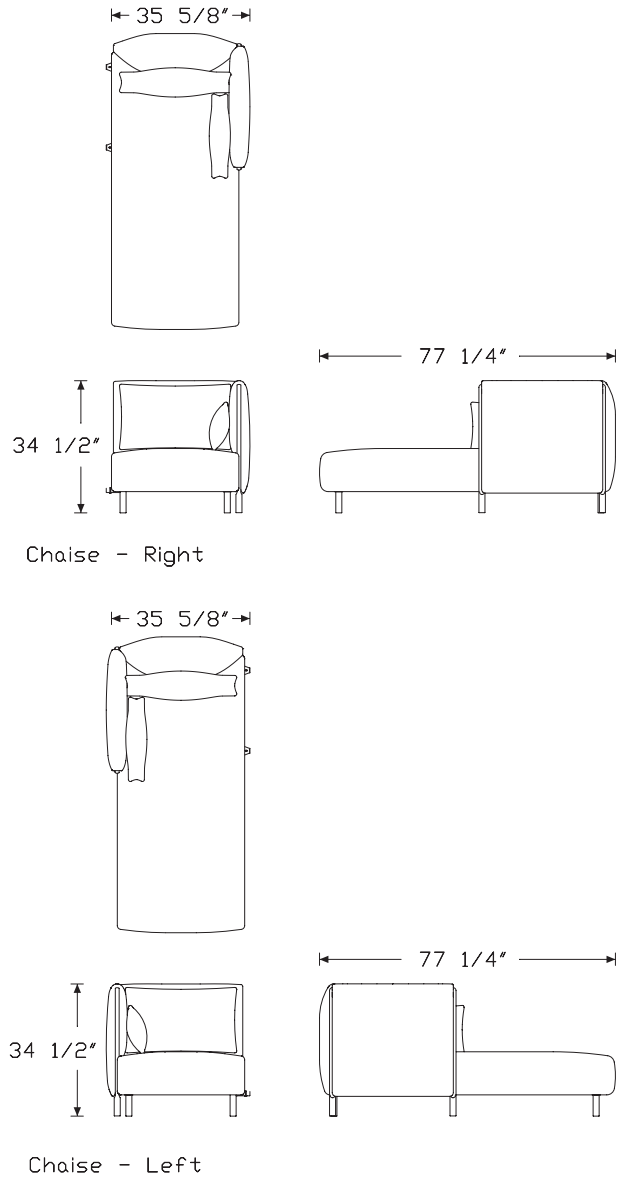
Description

This chaise has wooden frame construction with shaped foam and cover layers folded over the arm rest. Pillows are fiber filled for comfort. A plastic upholstery strip is stitched into the textile allowing the fabric to be stretched and pushed into place over the frame.

Notes

For modularity, order ganging kit (AJNG) separately.
Handedness is determined from seated position.
Limited textile selection available. See application chart in appendices.

Dimensions



ColourForm Chaise, Quilted,
Single Textile *continued*

Specification Information

Step 1.

AJN

Step 2. Configuration

1004L left chaise

1004R right chaise

Step 3. Upholstery Type

Q1 quilted, single textile (outside quilted, inside not quilted, same color, same fabric family)

Prices for Steps 1-3.

AJN1004L Q1 \$3692

AJN1004R Q1 \$3692

Step 4. Outside/Inside Fabric

Price Category (Geiger) 3 +\$853

Price Category 5 +\$1209

Price Category (Geiger) G +\$1730

Step 5. Leg Finish

A2 white ash +\$0

EN ebony +\$0

OU walnut +\$0

SBA soft blue ash +\$0

SGA soft green ash +\$0

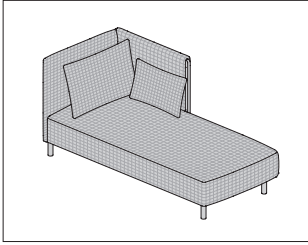
66A recograin frosty ash +\$0

Step 6. Fire Retardancy

NFR not fire retardant +\$0

FR fire retardant +\$570

ColourForm Chaise, Quilted, Two Textiles AJN10



Product Information

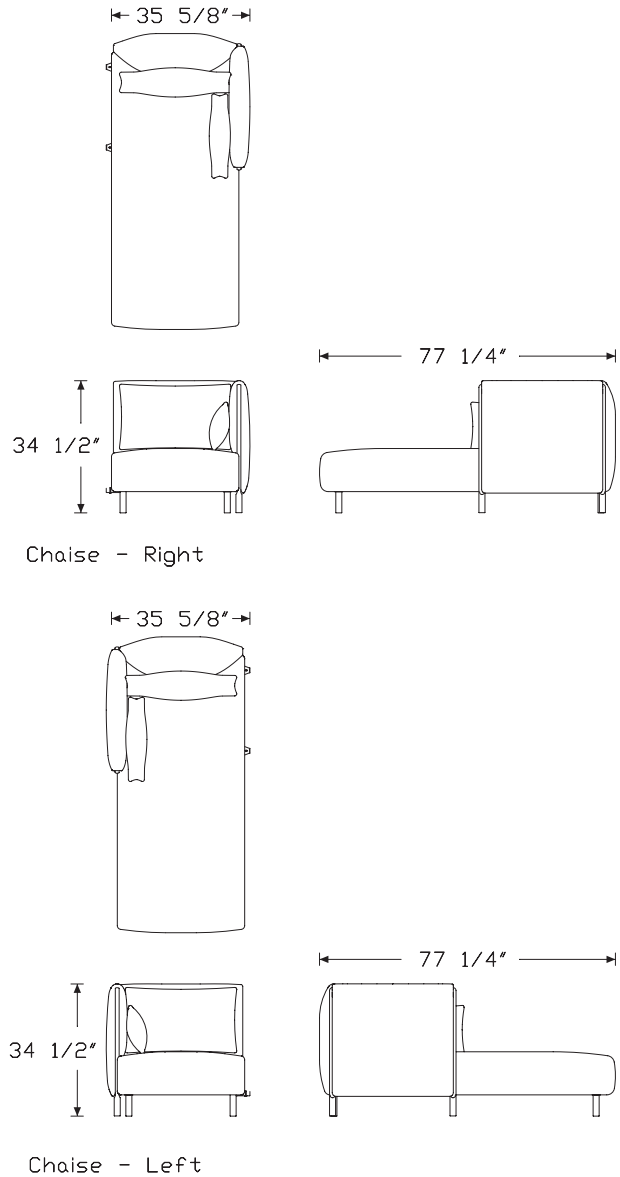
Description

This chaise has wooden frame construction with shaped foam and cover layers folded over the arm rest. Pillows are fiber filled for comfort. A plastic upholstery strip is stitched into the textile allowing the fabric to be stretched and pushed into place over the frame.

Notes

For modularity, order ganging kit (AJNG) separately.
 Handedness is determined from seated position.
 Limited textile selection available. See application chart in appendices.

Dimensions



ColourForm Chaise, Quilted, Two Textiles *continued*

Specification Information

Step 1.

AJN

Step 2. Configuration

1004R right chaise

1004L left chaise

Step 3. Upholstery Type

Q2 quilted, two textiles (outside quilted, inside quilted)

Prices for Steps 1-3.

AJN1004R Q2 \$3692

AJN1004L Q2 \$3692

Step 4. Outside Fabric

Price Category (Geiger) G +\$1730

Step 5. Inside Fabric

Price Category (Geiger) G +\$0

Step 6. Leg Finish

A2 white ash +\$0

EN ebony +\$0

OU walnut +\$0

SBA soft blue ash +\$0

SGA soft green ash +\$0

66A recograin frosty ash +\$0

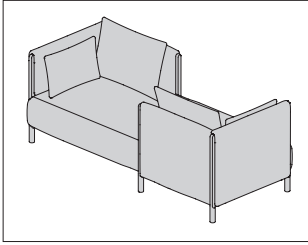
Step 7. Fire Retardancy

NFR not fire retardant +\$0

FR fire retardant +\$570

ColourForm Tete-a-Tete, Not Quilted, Single Textile

AJN10



Product Information

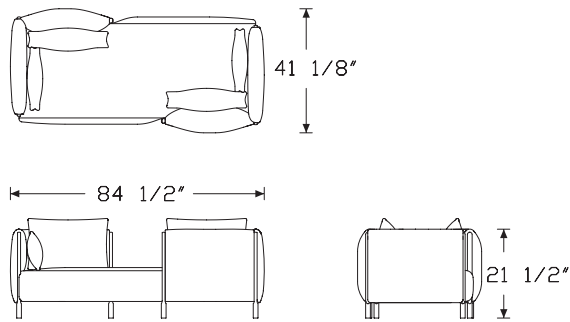
Description

This Tete-a-Tete has wooden frame construction with shaped foam and cover layers folded over the arm rest. Pillows are fiber filled for comfort. A plastic upholstery strip is stitched into the textile allowing the fabric to be stretched and pushed into place over the frame.

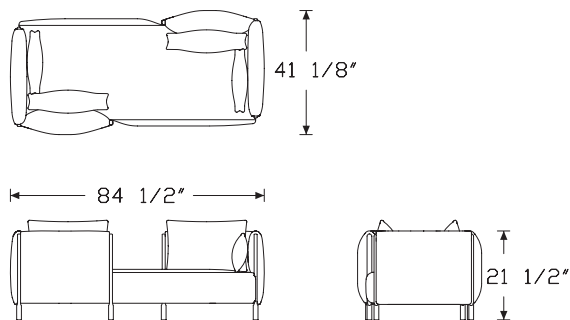
Notes

Handedness is determined from seated position.
 Limited textile selection available. See application chart in appendices.

Dimensions



Tete-a-tete Left



Tete-a-tete Right

HermanMiller Collection—Sofas

Specification Information

Step 1.

AJN A

Step 2. Configuration

1006R tete-a-tete right A

1006L tete-a-tete left A

Step 3. Upholstery Type

N not quilted, single textile A

Prices for Steps 1-3.

AJN1006R N \$4990

AJN1006L N \$4990

Step 4. Outside/Inside Fabric

Price Category (Geiger) D	+\$1233
Price Category 2	+\$87
Price Category (Geiger) 3	+\$183
Price Category 5	+\$688
Price Category (Geiger) 7	+\$1503
Price Category (Geiger) G	+\$1438
Price Category (Geiger) H	+\$1999
Price Category (Geiger) I	+\$2174
Price Category (Geiger) J	+\$3111

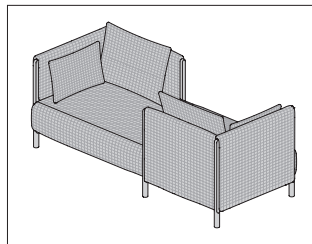
Step 5. Leg Finish

EN ebony A	+\$0
OU walnut A	+\$0
A2 white ash A	+\$0
SBA soft blue ash A	+\$0
SGA soft green ash A	+\$0
66A recograin frosty ash A	+\$0

Step 6. Fire Retardancy

NFR not fire retardant A	+\$0
FR fire retardant A	+\$810

ColourForm Tete-a-Tete, Quilted, Single Textile AJN10



Product Information

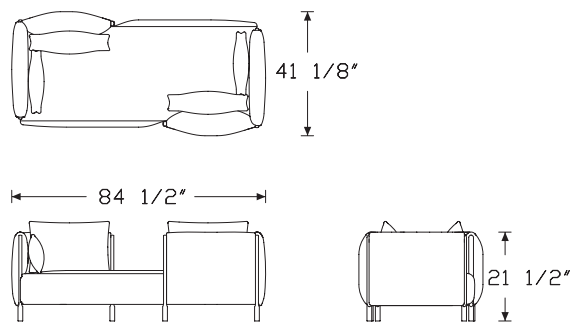
Description

This Tete-a-Tete has wooden frame construction with shaped foam and cover layers folded over the arm rest. Pillows are fiber filled for comfort. A plastic upholstery strip is stitched into the textile allowing the fabric to be stretched and pushed into place over the frame.

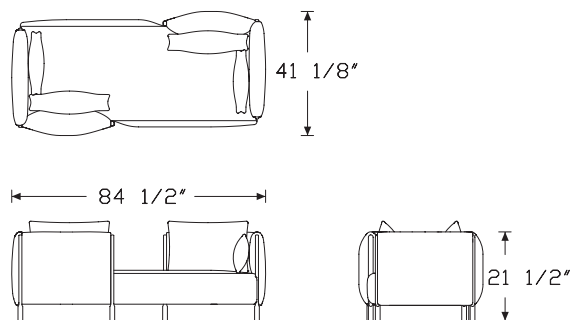
Notes

Handedness is determined from seated position.
 Limited textile selection available. See application chart in appendices.

Dimensions



Tete-a-tete Left



Tete-a-tete Right

Specification Information

Step 1.

AJN

Step 2. Configuration

1006R tete-a-tete right

1006L tete-a-tete left

Step 3. Upholstery Type

Q1 quilted, single textile (outside quilted, inside not quilted, same color, same fabric family)

Prices for Steps 1-3.

AJN1006R Q1 \$4990

AJN1006L Q1 \$4990

Step 4. Outside/Inside Fabric

Price Category (Geiger) 3 +\$1212

Price Category 5 +\$1716

Price Category (Geiger) G +\$2457

Step 5. Leg Finish

A2 white ash +\$0

EN ebony +\$0

OU walnut +\$0

SBA soft blue ash +\$0

SGA soft green ash +\$0

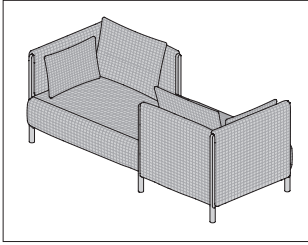
66A recograin frosty ash +\$0

Step 6. Fire Retardancy

NFR not fire retardant +\$0

FR fire retardant +\$810

ColourForm Tete-a-Tete, Quilted, Two Textiles AJN10

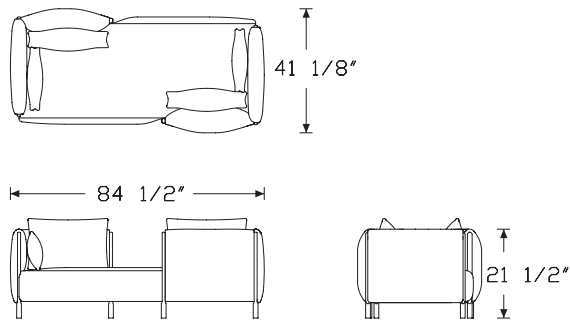


Product Information

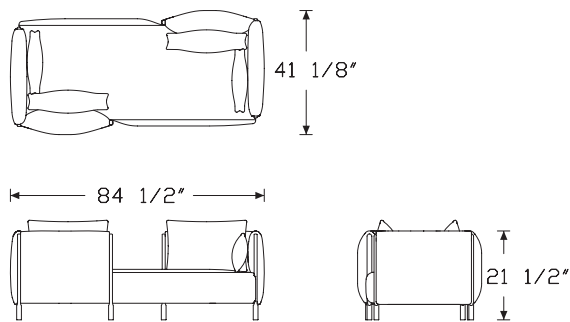
Description
 This Tete-a-Tete has wooden frame construction with shaped foam and cover layers folded over the arm rest. Pillows are fiber filled for comfort. A plastic upholstery strip is stitched into the textile allowing the fabric to be stretched and pushed into place over the frame.

Notes
 Handedness is determined from seated position.
 Limited textile selection available. See application chart in appendices.

Dimensions



Tete-a-tete Left



Tete-a-tete Right

Specification Information

Step 1.

AJN A

Step 2. Configuration

1006R tete-a-tete right A

1006L tete-a-tete left A

Step 3. Upholstery Type

Q2 quilted, two textiles (outside quilted, inside quilted) A

Prices for Steps 1-3.

AJN1006R Q2 \$4990

AJN1006L Q2 \$4990

Step 4. Outside Fabric

Price Category (Geiger) G +\$2457

Step 5. Inside Fabric

Price Category (Geiger) G +\$0

Step 6. Leg Finish

A2 white ash A +\$0

EN ebony A +\$0

OU walnut A +\$0

SBA soft blue ash A +\$0

SGA soft green ash A +\$0

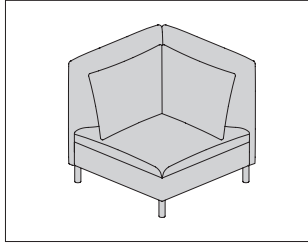
66A recograin frosty ash A +\$0

Step 7. Fire Retardancy

NFR not fire retardant A +\$0

FR fire retardant A +\$810

ColourForm Corner, Not Quilted, Single Textile AJN10



Product Information

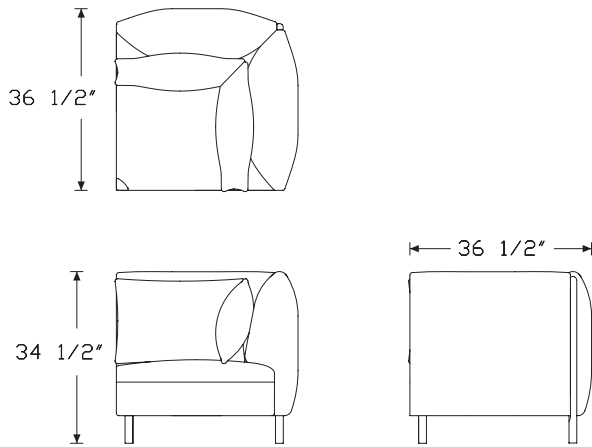
Description

This corner seat has wooden frame construction with shaped foam and cover layers folded over the arm rest. Pillows are fiber filled for comfort. A plastic upholstery strip is stitched into the textile allowing the fabric to be stretched and pushed into place over the frame.

Notes

For modularity, order ganging kit (AJNG) separately.
 Handedness is determined from seated position.
 Limited textile selection available. See application chart in appendices.

Dimensions



Specification Information

Step 1.

AJN1005 [A]

Step 2. Upholstery Type

N not quilted, single textile [A]

Prices for Steps 1-2.

AJN1005 N \$2918

Step 3. Outside/Inside Fabric

Price Category (Geiger) D	+\$777
Price Category 2	+\$57
Price Category (Geiger) 3	+\$117
Price Category 5	+\$435
Price Category (Geiger) 7	+\$970
Price Category (Geiger) G	+\$900
Price Category (Geiger) H	+\$1252
Price Category (Geiger) I	+\$1369
Price Category (Geiger) J	+\$1781

Step 4. Leg Finish

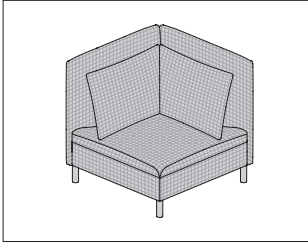
EN ebony [A]	+\$0
OU walnut [A]	+\$0
A2 white ash [A]	+\$0
SBA soft blue ash [A]	+\$0
SGA soft green ash [A]	+\$0
66A recograin frosty ash [A]	+\$0

Step 5. Fire Retardancy

NFR not fire retardant [A]	+\$0
FR fire retardant [A]	+\$510

ColourForm Corner, Quilted, Single Textile

AJN10



Product Information

Description

This corner seat has wooden frame construction with shaped foam and cover layers folded over the arm rest. Pillows are fiber filled for comfort. A plastic upholstery strip is stitched into the textile allowing the fabric to be stretched and pushed into place over the frame.

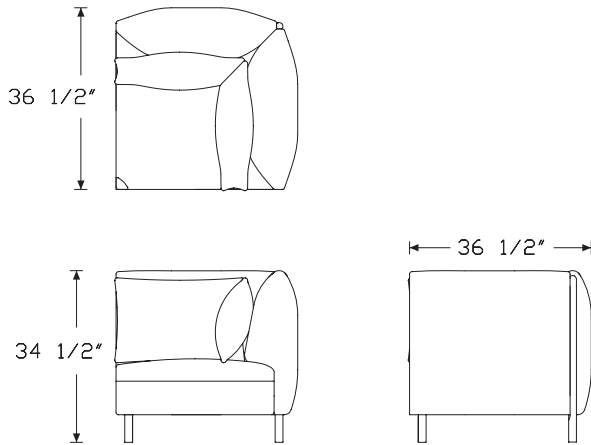
Notes

For modularity, order ganging kit (AJNG) separately.

Handedness is determined from seated position.

Limited textile selection available. See application chart in appendices.

Dimensions



HermanMiller Collection—Sofas

Specification Information

Step 1.

AJN1005 A

Step 2. Upholstery Type

Q1 quilted, single textile (outside quilted, inside not quilted, same color, same fabric family) A

Prices for Steps 1-2.

AJN1005 Q1 \$2918

Step 3. Outside/Inside Fabric

Price Category (Geiger) 3	+\$765
Price Category 5	+\$1083
Price Category (Geiger) G	+\$1548

Step 4. Leg Finish

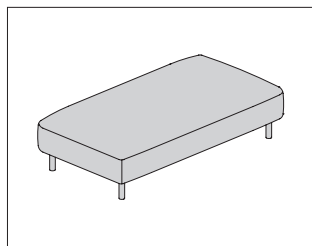
A2 white ash A	+\$0
EN ebony A	+\$0
OU walnut A	+\$0
SBA soft blue ash A	+\$0
SGA soft green ash A	+\$0
66A recograin frosty ash A	+\$0

Step 5. Fire Retardancy

NFR not fire retardant A	+\$0
FR fire retardant A	+\$510

ColourForm Bench, Not Quilted,
Single Textile

AJN2B
AJN3B

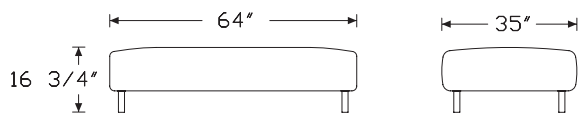


Product Information

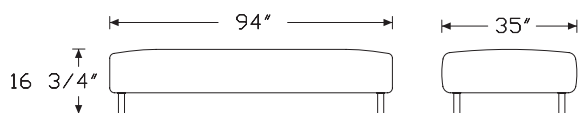
Description

This bench has wooden frame construction with shaped foam and cover layers folded over the arm rest. Pillows are fiber filled for comfort. A plastic upholstery strip is stitched into the textile allowing the fabric to be stretched and pushed into place over the frame.

Dimensions



2 Seat Bench



3 Seat Bench

Specification Information

Step 1.

AJN A

Step 2. Configuration

2B 2 seat bench A

3B 3 seat bench A

Step 3. Upholstery Type

N not quilted, single textile A

Prices for Steps 1-3.

AJN2B N \$2238

AJN3B N \$2255

Step 4. Bench Fabric

Price Category 2	+\$37
Price Category 5	+\$268
Price Category (Geiger) 3	+\$73
Price Category (Geiger) 7	+\$599
Price Category (Geiger) G	+\$556
Price Category (Geiger) H	+\$773
Price Category (Geiger) I	+\$845
Price Category (Geiger) J	+\$1206
Price Category (Geiger) D	+\$480

Step 5. Leg Finish

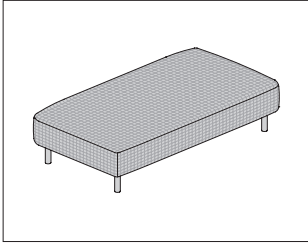
A2 white ash <input type="checkbox"/> A	+\$0
EN ebony <input type="checkbox"/> A	+\$0
OU walnut <input type="checkbox"/> A	+\$0
SBA soft blue ash <input type="checkbox"/> A	+\$0
SGA soft green ash <input type="checkbox"/> A	+\$0
66A recograin frosty ash <input type="checkbox"/> A	+\$0

Step 6. Fire Retardancy

NFR not fire retardant <input type="checkbox"/> A	+\$0
FR fire retardant <input type="checkbox"/> A	+\$360

ColourForm Bench, Quilted,
Single Textile

AJN2B
AJN3B

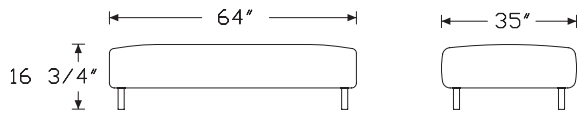


Product Information

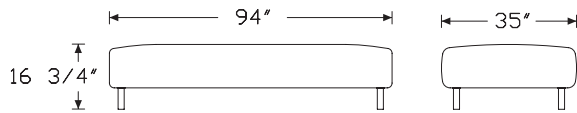
Description

This bench has wooden frame construction with shaped foam and cover layers folded over the arm rest. Pillows are fiber filled for comfort. A plastic upholstery strip is stitched into the textile allowing the fabric to be stretched and pushed into place over the frame.

Dimensions



2 Seat Bench



3 Seat Bench

HermanMiller Collection—Sofas

Specification Information

Step 1.

AJN A

Step 2. Configuration

2B 2 seat bench A

3B 3 seat bench A

Step 3. Upholstery Type

Q1 quilted, single textile (outside quilted, inside not quilted, same color, same fabric family) A

Prices for Steps 1-3.

AJN2B Q1 \$2238

AJN3B Q1 \$2255

Step 4. Bench Fabric

Price Category (Geiger) 3 +\$472

Price Category 5 +\$669

Price Category (Geiger) G +\$955

Step 5. Leg Finish

A2 white ash A +\$0

EN ebony A +\$0

OU walnut A +\$0

SBA soft blue ash A +\$0

SGA soft green ash A +\$0

66A recograin frosty ash A +\$0

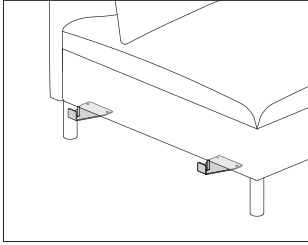
Step 6. Fire Retardancy

NFR not fire retardant A +\$0

FR fire retardant A +\$360

ColourForm Ganging Kit

AJNG

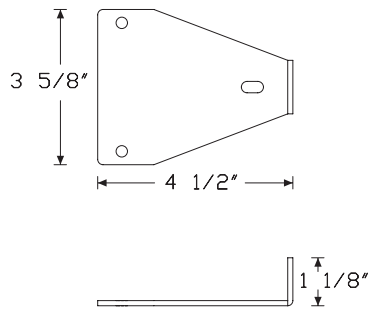


Product Information

Description

This ganging kit is required for modularity as noted on product pages.

Dimensions



Specification Information

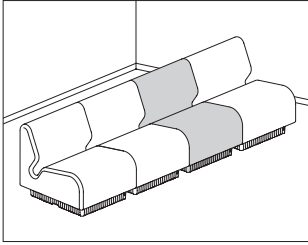
Step 1.

AJNG A

\$76

Chadwick Module

CM101
CM102
CM103
CM105
CM106



Product Information

Description

This fully upholstered foam module has a black molded base.

Modules link together in any combination with loop connectors. 2 loop connectors are included with each module. Power components are sold separately.

Notes

When specifying power components, fire retardant (FR) module must be specified.

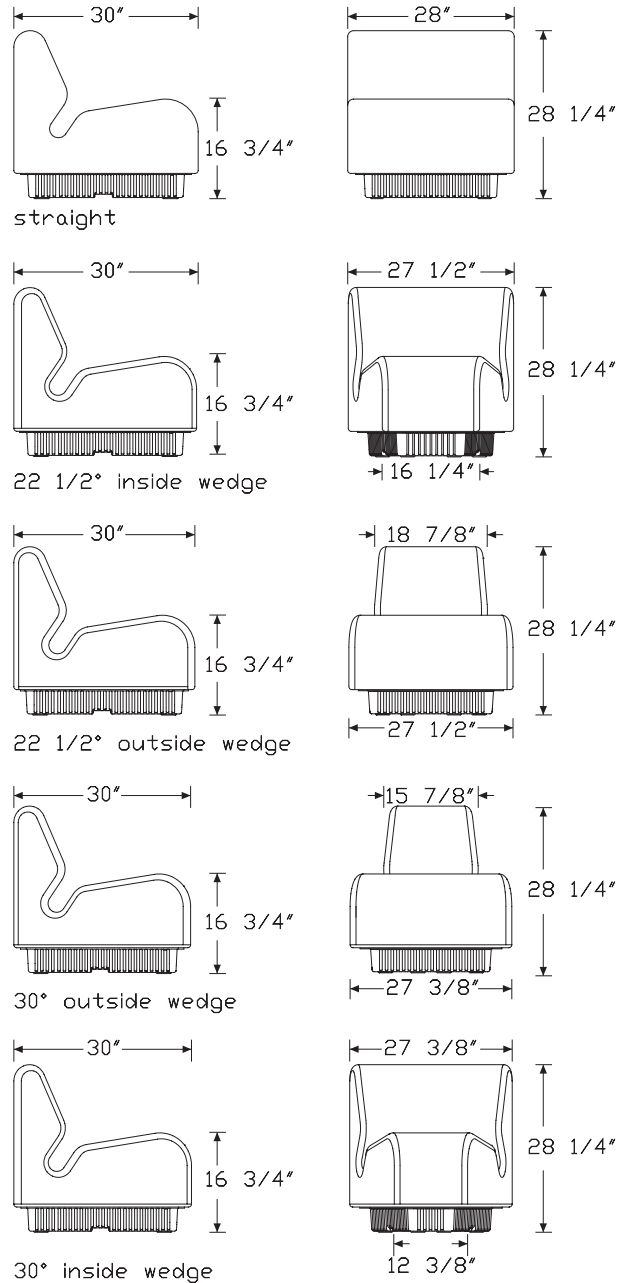
Order base covers (CM104N) separately.

Customer's Own Material (COM) requires 4 yards for nonrepeating fabric. See Order Information in Appendices. For more information, contact COM Department.

Fabrics with a repeat that must be matched, or that are less than 54" wide, require additional yardage. Use the following chart to determine COM yardage requirements. For fabric with both horizontal and vertical repeats, add the horizontal and vertical repeat inches together. Use the total number of repeat inches to determine the additional fabric needed.

Fabric	Plain	2"-10"	11"-20"	21"-25"	26"-30"
Width	Fabric	Repeat	Repeat	Repeat	Repeat
54"	0%	10%	15%	20%	25%
51"-53"	15%	20%	25%	30%	35%
48"-50"	30%	35%	40%	45%	50%
45"-47"	45%	50%	55%	60%	65%
36"-44"	60%	65%	70%	75%	80%

Dimensions



Specification Information

Step 1.

CM10 A

Step 2. Shape

- 1N** straight A
- 2N** 22¹/₂° inside wedge A
- 3N** 22¹/₂° outside wedge A
- 5N** 30° outside wedge A
- 6N** 30° inside wedge A

Step 3. Fire Retardancy

- NFR** not fire retardant A
- FR** fire retardant A

Prices for Steps 1-3.

CM101N	NFR	\$1575
	FR	\$1944
CM102N	NFR	\$1520
	FR	\$1889
CM103N	NFR	\$1520
	FR	\$1889
CM105N	NFR	\$1520
	FR	\$1889
CM106N	NFR	\$1520
	FR	\$1889

Step 4. Fabric

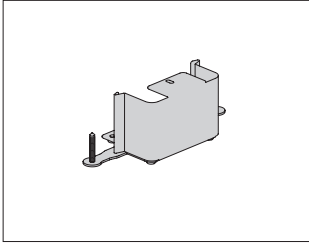
See application chart and textiles list for fabric usage and numbers.
 First 2 digits of number indicate fabric line; remaining digit(s) indicate fabric color.

For not fire retardant (NFR)

Price Category 1 <input type="checkbox"/> A	+\$119
Price Category 2	+\$130
Price Category (Geiger) 4	+\$155
Price Category 5	+\$232
Price Category (Geiger) 7	+\$490
Price Category C	+\$145
Price Category G	+\$492
Price Category H	+\$609

For fire retardant (FR)

Price Category 2	+\$130
Price Category (Geiger) 4	+\$155
Price Category 5	+\$232



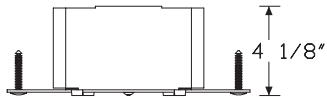
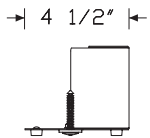
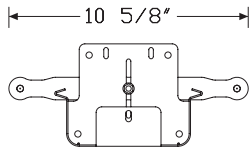
Product Information

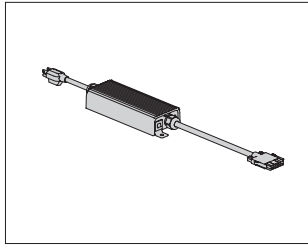
Description
 This base cover kit fills the gap at the base between 2 Chadwick modules. Package contains 2 steel covers to accommodate the front and back sides of the modules.

Dimensions

Specification Information

Step 1.
CM104N A \$137





Product Information

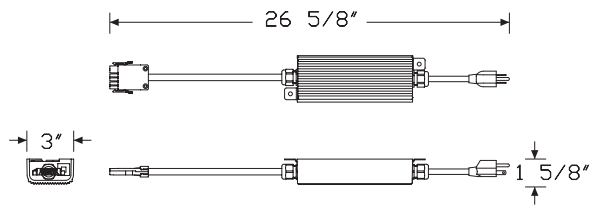
Description

This power entry connects a building's electrical supply from a wall, floor, or column to a Chadwick power receptacle kit. Entry can accommodate up to 8 duplex receptacles or 40' of cable length. Fire retardant Chadwick modules must be specified to be UL compliant. Power entry is UL listed.

Notes

Order power receptacle kit (CM108N) separately.

Dimensions



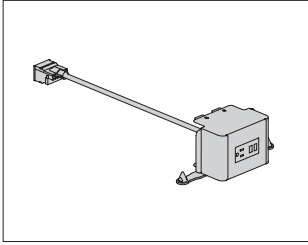
Specification Information

Step 1.

CM107N [A] \$371

Step 2. Cord Length

A	6' [A]	+\$0
B	10' [A]	+\$15
C	15' [A]	+\$40
D	25' [A]	+\$100



Product Information

Description

This receptacle kit attaches between 2 Chadwick module bases and has a 110-volt receptacle and 2 USB ports. It includes a base cover for the back of the base. Faceplate may be mounted flush with the base or slightly proud of the base. Fire retardant Chadwick modules must be specified to be UL compliant. Receptacle kit is UL listed.

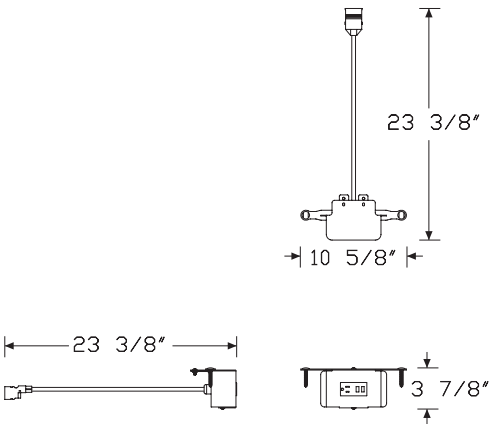
Dimensions

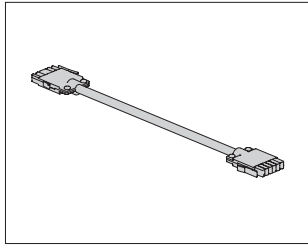
Specification Information

Step 1.

CM108N A \$332

HermanMiller Collection—Sofas





Product Information

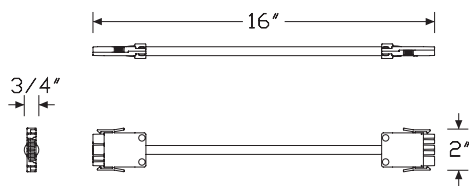
Description

This power jumper connects power between 2 receptacle kits. Fire retardant Chadwick modules must be specified to be UL compliant. Jumper is UL listed.

Notes

Order power entry (CM107N) and receptacle kit (CM108N) separately.

Dimensions



Specification Information

Step 1.

CM109N [A]

Step 2. Length

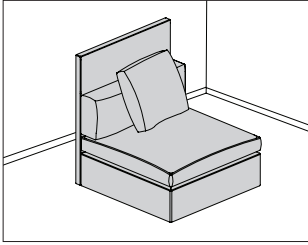
- A** 30" [A]
- B** 47" [A]
- C** 75" [A]
- D** 103" [A]

Prices for Steps 1-2.

CM109N A	\$83
B	\$93
C	\$103
D	\$116

Module Lounge Seating with Privacy Back Single Seat

AL2C5



Product Information

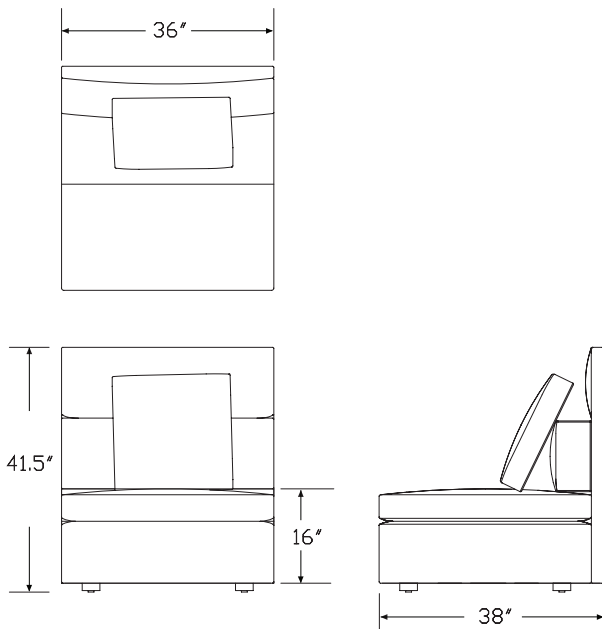
Description

This single seat with an upholstered back privacy partition has an attached seat cushion and loose back, side, and throw cushions. Adjustable glides and ganging hardware included.

Notes

Handedness is determined from a seated position.
 Customer's Own Material (COM) requires 6 yards. Customer's Own Leather (COL) requires 119 square feet. See Order Information in Appendices.
 Limited textile selection available. See application chart in appendices.

Dimensions



HermanMiller Collection—Sofas

Specification Information

Step 1.

AL2C

Step 2. Configuration

500A armless

Step 3. Upholstery Assignment

S single fabric

Prices for Steps 1-3.

AL2C500A S \$3869

Step 4. Leg Finish

EN ebony +\$0

Step 5. Fabric

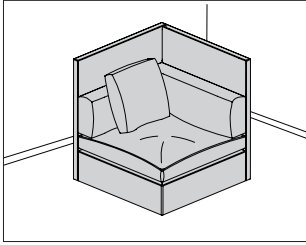
Price Category 1	+\$0
Price Category 2	+\$168
Price Category 3	+\$181
Price Category (Geiger) 3	+\$181
Price Category 4	+\$216
Price Category (Geiger) 4	+\$216
Price Category 5	+\$368
Price Category (Geiger) 5	+\$368
Price Category (Geiger) 6	+\$442
Price Category 7	+\$685
Price Category (Geiger) 7	+\$685
Price Category 9	+\$1050
Price Category (Geiger) 9	+\$1050
Price Category 10	+\$1346
Price Category 11	+\$1568
Price Category 14	+\$1954
Price Category D	+\$348
Price Category G	+\$726
Price Category H	+\$881
Price Category J	+\$1189

Step 6. Fire Retardancy

NFR not fire retardant	+\$0
FR fire retardant	+\$400

Module Lounge Seating with Privacy Back Corner

AL2C7



Product Information

Description

This corner with an upholstered back privacy partition has an attached seat cushion, and loose back, side, and throw cushions. Adjustable glides and ganging hardware included.

Notes

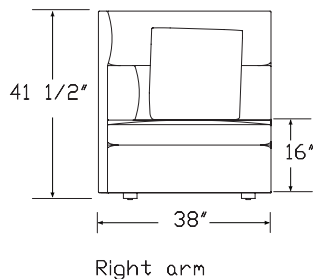
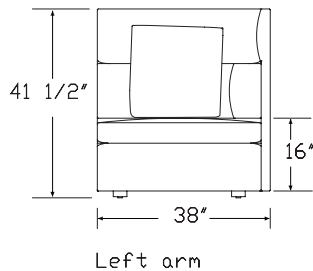
Handedness is determined from a seated position.

Corner piece can be used as end piece.

Customer's Own Material (COM) requires 8 yards. Customer's Own Leather (COL) requires 160 square feet. See Order Information in Appendices.

Limited textile selection available. See application chart in appendices.

Dimensions



Specification Information

Step 1.

AL2C

Step 2. Configuration

700R right arm corner

700L left arm corner

Step 3. Upholstery Assignment

S single fabric

Prices for Steps 1-3.

AL2C700R S \$4150

AL2C700L S \$4150

Step 4. Leg Finish

EN ebony +\$0

Step 5. Fabric

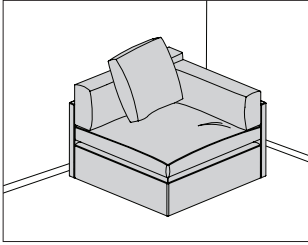
Price Category 1	+\$0
Price Category 2	+\$220
Price Category 3	+\$253
Price Category (Geiger) 3	+\$253
Price Category 4	+\$288
Price Category (Geiger) 4	+\$288
Price Category 5	+\$490
Price Category (Geiger) 5	+\$490
Price Category (Geiger) 6	+\$589
Price Category 7	+\$913
Price Category (Geiger) 7	+\$913
Price Category 9	+\$1373
Price Category (Geiger) 9	+\$1373
Price Category 10	+\$1795
Price Category 11	+\$2091
Price Category 14	+\$2556
Price Category D	+\$464
Price Category G	+\$967
Price Category H	+\$1175
Price Category J	+\$1586

Step 6. Fire Retardancy

NFR not fire retardant	+\$0
FR fire retardant	+\$500

Module Lounge Seating Single
Seat

AL2C1
AL2C2



Product Information

Description

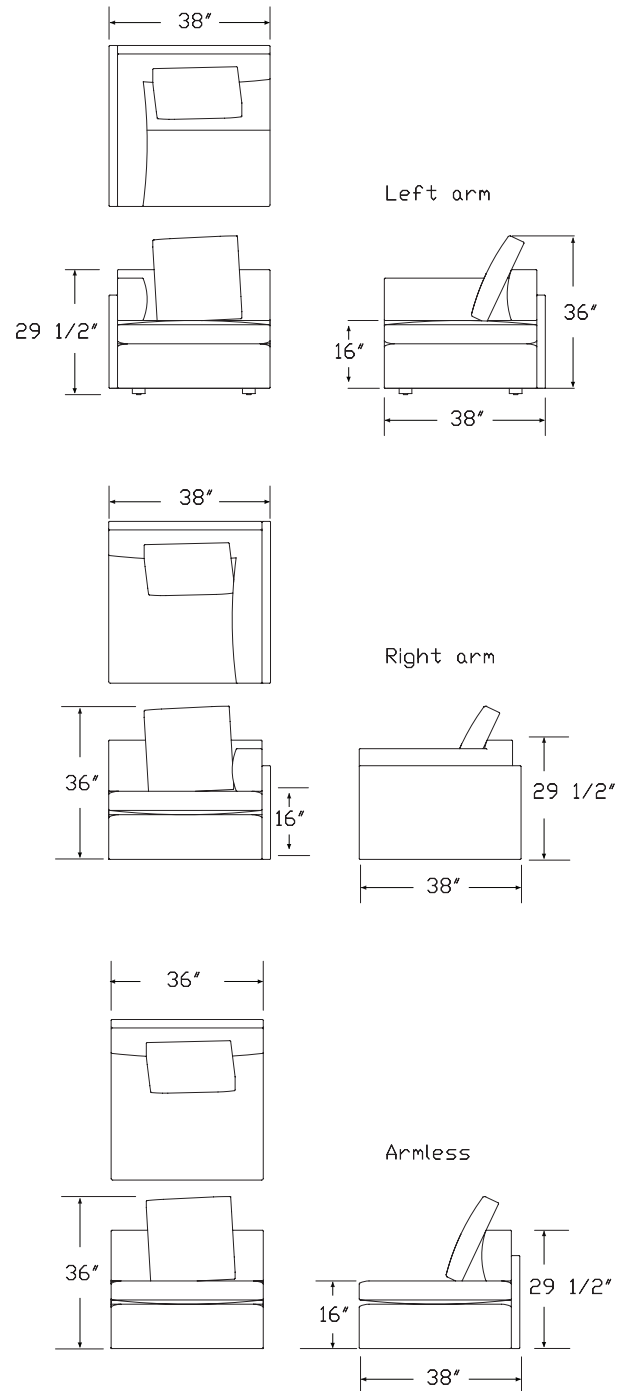
This single seat has an attached seat cushion and loose back, side and throw cushions. Adjustable glides and ganging hardware included.

Notes

Handedness is determined from a seated position.

Customer's Own Material (COM) requires 5 yards for armless, or 7½ yards for right arm and left arm configurations. Customer's Own Leather (COL) requires 90 square feet for armless, or 130 square feet for right arm and left arm configurations. See Order Information in Appendices. Limited textile selection available. See application chart in appendices.

Dimensions



Module Lounge Seating Single Seat *continued*

Specification Information

Step 1.

AL2C

Step 2. Configuration

2000 armless

100R right arm

100L left arm

Step 3. Upholstery Assignment

S single fabric

Prices for Steps 1-3.

AL2C2000 S \$3547

AL2C100R S \$4191

AL2C100L S \$4191

Step 4. Leg Finish

EN ebony +\$0

Step 5. Fabric

Price Category 1 +\$0

Price Category 2 +\$93

Price Category 3 +\$118

Price Category (Geiger) 3 +\$118

Price Category 4 +\$270

Price Category (Geiger) 4 +\$270

Price Category 5 +\$339

Price Category (Geiger) 5 +\$339

Price Category (Geiger) 6 +\$478

Price Category 7 +\$571

Price Category (Geiger) 7 +\$571

Price Category 9 +\$1212

Price Category (Geiger) 9 +\$1212

Price Category 10 +\$1682

Price Category 11 +\$1961

Price Category 14 +\$2255

Price Category D +\$377

Price Category G +\$785

Price Category H +\$954

Price Category J +\$1288

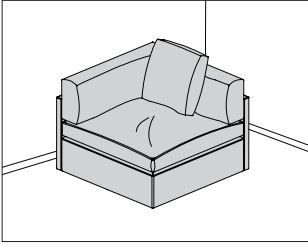
Step 6. Fire Retardancy

NFR not fire retardant +\$0

FR fire retardant +\$400

Module Lounge Seating Corner

AL2C3



Product Information

Description

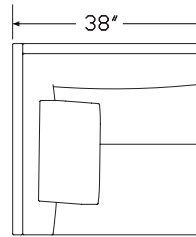
This corner has an attached seat cushion and loose back, side, and throw cushions. Adjustable glides and ganging hardware included.

Notes

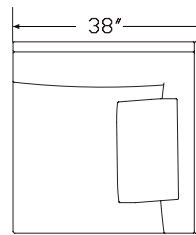
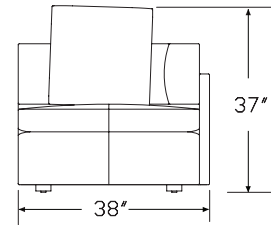
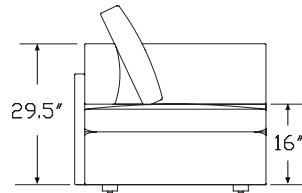
Customer's Own Material (COM) requires 7½ yards. Customer's Own Leather (COL) requires 130 square feet. See Order Information in Appendices.

Limited textile selection available. See application chart in appendices.

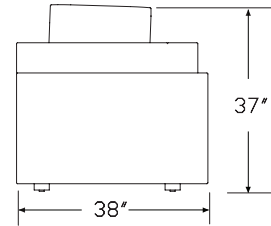
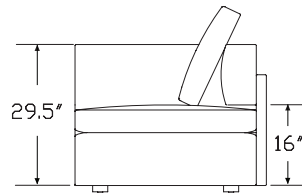
Dimensions



Left arm



Right arm

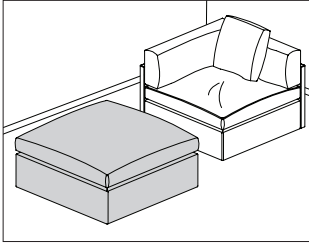


Module Lounge Seating Corner

continued

Specification Information	
Step 1.	
AL2C	
Step 2. Configuration	
3000	corner
Step 3. Upholstery Assignment	
S	single fabric
Prices for Steps 1-3.	
AL2C3000 S	\$3332
Step 4. Leg Finish	
EN	ebony +\$0
Step 5. Fabric	
Price Category 1	+\$0
Price Category 2	+\$93
Price Category 3	+\$118
Price Category (Geiger) 3	+\$118
Price Category 4	+\$270
Price Category (Geiger) 4	+\$270
Price Category 5	+\$339
Price Category (Geiger) 5	+\$339
Price Category (Geiger) 6	+\$478
Price Category 7	+\$571
Price Category (Geiger) 7	+\$571
Price Category 9	+\$1212
Price Category (Geiger) 9	+\$1212
Price Category 10	+\$1682
Price Category 11	+\$1961
Price Category 14	+\$2255
Price Category D	+\$435
Price Category G	+\$1176
Price Category H	+\$1102
Price Category J	+\$1487
Step 6. Fire Retardancy	
NFR	not fire retardant +\$0
FR	fire retardant +\$450

Module Lounge Seating Ottoman AL2C4

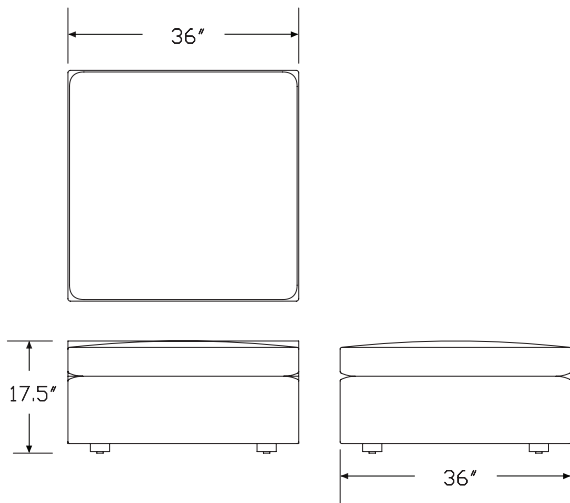


Product Information

Description
This ottoman has adjustable glides. Connecting hardware included.

Notes
Customer's Own Material (COM) requires 3½ yards. Customer's Own Leather (COL) requires 57 square feet. See Order Information in Appendices.
Limited textile selection available. See application chart in appendices.

Dimensions



HermanMiller Collection—Sofas

Specification Information

Step 1.
AL2C

Step 2. Configuration
4000 ottoman

Step 3. Upholstery Assignment
S single fabric

Prices for Steps 1-3.
AL2C4000 S \$3869

Step 4. Leg Finish
EN ebony +\$0

Step 5. Fabric

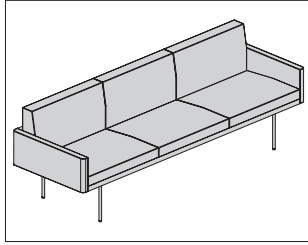
Price Category 1	+\$0
Price Category 2	+\$46
Price Category 3	+\$55
Price Category (Geiger) 3	+\$55
Price Category 4	+\$126
Price Category (Geiger) 4	+\$126
Price Category 5	+\$215
Price Category (Geiger) 5	+\$215
Price Category (Geiger) 6	+\$258
Price Category 7	+\$392
Price Category (Geiger) 7	+\$392
Price Category 9	+\$566
Price Category (Geiger) 9	+\$566
Price Category 10	+\$785
Price Category 11	+\$915
Price Category 14	+\$1052
Price Category D	+\$203
Price Category G	+\$423
Price Category H	+\$514
Price Category J	+\$694

Step 6. Fire Retardancy

NFR not fire retardant	+\$0
FR fire retardant	+\$200

Tuxedo Component Lounge™ Sofa

ST3AL
ST3AN
ST3AQ
ST3AR
ST3NN
ST3NQ



Product Information

Description

This sofa has a foam and Dacron® seat with a painted or plated steel base.

Notes

Customer's Own Material (COM)/Customer's Own Leather (COL) requires the following:

Type—COM—COL

ST3NN—11¼ yards—202½ square feet

ST3NQ—11¼ yards—202½ square feet

ST3AN—13 yards—234 square feet

ST3AQ—13 yards—234 square feet

ST3ALN—12¼ yards—220½ square feet

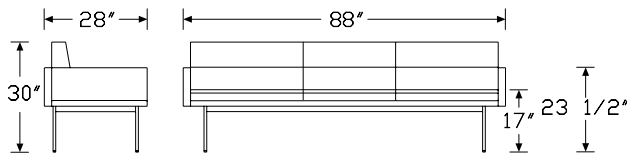
ST3ARN—12¼ yards—220½ square feet

ST3ALQ—12¼ yards—220½ square feet

ST3ARQ—12¼ yards—220½ square feet

See Order Information in Appendices for more information.

Dimensions



Specification Information

Step 1.

ST3 **A**

Step 2. Arms

N no arms **A**

A arms **A**

AL arm left, armless right **A**

AR arm right, armless left **A**

Step 3. Upholstery Type

N not quilted **A**

Q quilted **A**

Prices for Steps 1-3.

ST3NN	\$5249
ST3NQ	\$5427
ST3AN	\$5898
ST3AQ	\$6080
ST3AL N	\$5493
Q	\$5670
ST3AR N	\$5493
Q	\$5670

Step 4. Upholstery

For not quilted (N)

	N	A	AL	AR
Price Category (Geiger) 1	+\$453	523	493	493
Price Category 1	+\$0	0	0	0
Price Category (Geiger) 2	+\$545	630	594	594
Price Category 2	+\$545	630	594	594
Price Category (Geiger) 3	+\$684	791	745	745
Price Category 3	+\$684	791	745	745
Price Category (Geiger) 4	+\$835	965	909	909
Price Category 4	+\$835	965	909	909
Price Category (Geiger) 5	+\$1217	1406	1326	1326
Price Category 5	+\$1217	1406	1326	1326
Price Category (Geiger) 6	+\$1600	1848	1742	1742
Price Category (Geiger) 7	+\$1982	2290	2158	2158
Price Category (Geiger) 8	+\$3037	3509	3307	3307
Price Category (Geiger) 9	+\$3766	4352	4102	4102
Price Category 9	+\$4352	4352	4102	4102
Price Category (Geiger) 10	+\$4335	5008	4720	4720
Price Category (Geiger) 11	+\$4856	5611	5287	5287
Price Category 14	+\$6362	7352	6928	6928

Tuxedo Component Lounge™ Sofa

continued

HermanMiller Collection—Sofas

Price Category (Geiger) A	+\$383	442	418	418
Price Category (Geiger) C	+\$614	710	670	670
Price Category (Geiger) D	+\$812	938	884	884
Price Category (Geiger) E	+\$985	1139	1074	1074
Price Category (Geiger) F	+\$1183	1366	1288	1288
Price Category (Geiger) G	+\$1611	1862	1755	1755
Price Category (Geiger) H	+\$2005	2317	2184	2184
Price Category H	+\$1294	1495	2120	0
Price Category (Geiger) I	+\$2422	2799	2638	2638
Price Category (Geiger) J	+\$2839	3281	3093	3093
Price Category (Geiger) K	+\$3256	3763	3547	3547
Price Category (Geiger) L	+\$3673	4245	4001	4001
Price Category (Geiger) M	+\$4091	4727	4455	4455
Price Category (Geiger) N	+\$4508	5209	4909	4909
Price Category (Geiger) O	+\$4925	5691	5364	5364
Price Category (Geiger) P	+\$5331	6160	5805	5805
Price Category (Geiger) Q	+\$6154	7111	6701	6701
Price Category (Geiger) R	+\$8575	9909	9337	9337
Price Category (Geiger) S	+\$9213	10646	10032	10032
Price Category (Geiger) V	+\$11124	12855	12113	12113
Price Category (Geiger) X	+\$12400	14328	13502	13502
Price Category (Geiger) Y	+\$13036	15064	14196	14196
Price Category (Geiger) COM A	+\$0	0	0	0
Price Category (Geiger) COL A	+\$810	936	882	882

For quilted (Q)

	N	A	AL	AR
Price Category (Geiger) 1	+\$453	523	493	493
Price Category 1	+\$0	0	0	0
Price Category (Geiger) 2	+\$545	630	594	594
Price Category 2	+\$545	630	594	594
Price Category (Geiger) 3	+\$684	791	745	745
Price Category 3	+\$684	791	745	745
Price Category (Geiger) 4	+\$835	965	909	909
Price Category 4	+\$835	965	909	909
Price Category (Geiger) 5	+\$1217	1406	1326	1326
Price Category 5	+\$1217	1406	1326	1326
Price Category (Geiger) 6	+\$1600	1848	1742	1742
Price Category (Geiger) 7	+\$1982	2290	2158	2158
Price Category (Geiger) 8	+\$3037	3509	3307	3307
Price Category (Geiger) 9	+\$3766	4352	4102	4102
Price Category 9	+\$4352	4352	4102	4102
Price Category (Geiger) 10	+\$4335	5008	4720	4720
Price Category (Geiger) 11	+\$4856	5611	5287	5287
Price Category 14	+\$6362	7352	6928	6928
Price Category (Geiger) A	+\$383	442	418	418
Price Category (Geiger) C	+\$614	710	670	670

Price Category (Geiger) D	+\$812	938	884	884
Price Category (Geiger) E	+\$985	1139	1074	1074
Price Category (Geiger) F	+\$1183	1366	1288	1288
Price Category (Geiger) G	+\$1611	1862	1755	1755
Price Category (Geiger) H	+\$2005	2317	2184	2184
Price Category H	+\$1294	1495	0	2120
Price Category (Geiger) I	+\$2422	2799	2638	2638
Price Category (Geiger) J	+\$2839	3281	3093	3093
Price Category (Geiger) K	+\$3256	3763	3547	3547
Price Category (Geiger) L	+\$3673	4245	4001	4001
Price Category (Geiger) M	+\$4091	4727	4455	4455
Price Category (Geiger) N	+\$4508	5209	4909	4909
Price Category (Geiger) O	+\$4925	5691	5364	5364
Price Category (Geiger) P	+\$5331	6160	5805	5805
Price Category (Geiger) Q	+\$6154	7111	6701	6701
Price Category (Geiger) R	+\$8575	9909	9337	9337
Price Category (Geiger) S	+\$9213	10646	10032	10032
Price Category (Geiger) V	+\$11124	12855	12113	12113
Price Category (Geiger) COM A	+\$0	0	0	0
Price Category (Geiger) COL A	+\$810	936	882	882

Step 5. Base Finish

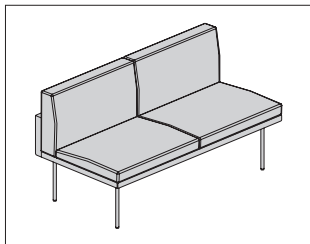
926 black A	+\$0
AS arctic silver A	+\$0
WHT white A	+\$0
CHR chrome A	+\$671
SAC satin chrome A	+\$671

Step 6. Fire Retardancy

	N	A	AL	AR
NOCAL not fire retardant A	+\$0	0	0	0
133 fire retardant A	+\$732	845	797	797

Tuxedo Component Lounge™ Settee

ST2AL
ST2AN
ST2AQ
ST2AR
ST2NN
ST2NQ



Product Information

Description

This settee has a foam and Dacron® seat with a painted or plated steel base.

Notes

Customer's Own Material (COM)/Customer's Own Leather (COL) requires the following:

Type—COM—COL

ST2NN—7½ yards—135 square feet

ST2NQ—7½ yards—135 square feet

ST2AN—9¼ yards—166½ square feet

ST2AQ—9¼ yards—166½ square feet

ST2ALN—8½ yards—153 square feet

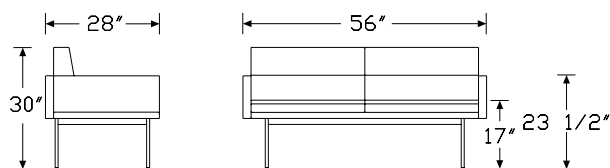
ST2ARN—8½ yards—153 square feet

ST2ALQ—8½ yards—153 square feet

ST2ARQ—8½ yards—153 square feet

See Order Information in Appendices for more information.

Dimensions



Specification Information

Step 1.

ST2 A

Step 2. Arms

N no arms A

A arms A

AL arm left, armless right A

AR arm right, armless left A

Step 3. Upholstery Type

N not quilted A

Q quilted A

Prices for Steps 1-3.

ST2NN		\$3795
ST2NQ		\$3902
ST2AN		\$4322
ST2AQ		\$4616
ST2AL N		\$3947
	Q	\$4079
ST2AR N		\$3947
	Q	\$4079

Step 4. Upholstery

For not quilted (N)

	N	A	AL	AR
Price Category (Geiger) 1	+\$302	372	342	342
Price Category 1	+\$0	0	0	0
Price Category (Geiger) 2	+\$364	449	412	412
Price Category 2	+\$364	449	412	412
Price Category (Geiger) 3	+\$457	563	518	518
Price Category 3	+\$457	563	518	518
Price Category (Geiger) 4	+\$557	686	631	631
Price Category 4	+\$557	686	631	631
Price Category (Geiger) 5	+\$812	1001	920	920
Price Category 5	+\$812	1001	920	920
Price Category (Geiger) 6	+\$1067	1316	1209	1209
Price Category (Geiger) 7	+\$1322	1630	1498	1498
Price Category (Geiger) 8	+\$2024	2497	2294	2294
Price Category (Geiger) 9	+\$2512	3097	2846	2846
Price Category 9	+\$3097	3097	2846	2846
Price Category (Geiger) 10	+\$2890	3564	3275	3275
Price Category (Geiger) 11	+\$3238	3993	3669	3669
Price Category 14	+\$4242	5231	4808	4808

Tuxedo Component Lounge™ Settee *continued*

Price Category (Geiger) A	+\$256	315	290	290
Price Category (Geiger) C	+\$410	505	465	465
Price Category (Geiger) D	+\$541	668	613	613
Price Category (Geiger) E	+\$658	810	745	745
Price Category (Geiger) F	+\$788	973	894	894
Price Category (Geiger) G	+\$1075	1325	1218	1218
Price Category (Geiger) H	+\$1337	1648	1516	1516
Price Category (Geiger) I	+\$1616	1991	1831	1831
Price Category (Geiger) J	+\$1894	2334	2146	2146
Price Category (Geiger) K	+\$2172	2677	2461	2461
Price Category (Geiger) L	+\$2450	3020	2776	2776
Price Category (Geiger) M	+\$2728	3363	3092	3092
Price Category (Geiger) N	+\$3006	3706	3407	3407
Price Category (Geiger) O	+\$3284	4049	3722	3722
Price Category (Geiger) P	+\$3554	4383	4028	4028
Price Category (Geiger) Q	+\$4103	5060	4650	4650
Price Category (Geiger) R	+\$5717	7051	6479	6479
Price Category (Geiger) S	+\$6142	7575	6961	6961
Price Category (Geiger) V	+\$7416	9147	8405	8405
Price Category (Geiger) X	+\$8266	10195	9368	9368
Price Category (Geiger) Y	+\$8692	10719	9850	9850
Price Category (Geiger) COM A	+\$0	0	0	0
Price Category (Geiger) COL A	+\$540	666	612	612

For no arms (N) with quilted (Q)

Price Category (Geiger) 1	+\$302
Price Category 1	+\$0
Price Category (Geiger) 2	+\$364
Price Category 2	+\$364
Price Category (Geiger) 3	+\$457
Price Category 3	+\$457
Price Category (Geiger) 4	+\$557
Price Category 4	+\$557
Price Category (Geiger) 5	+\$812
Price Category 5	+\$812
Price Category (Geiger) 6	+\$1067
Price Category (Geiger) 7	+\$1322
Price Category (Geiger) 8	+\$2024
Price Category (Geiger) 9	+\$2512
Price Category 9	+\$3097
Price Category (Geiger) 10	+\$2890
Price Category (Geiger) 11	+\$3238
Price Category 14	+\$4242
Price Category (Geiger) A	+\$256
Price Category (Geiger) C	+\$410
Price Category (Geiger) D	+\$541
Price Category (Geiger) E	+\$658

Price Category (Geiger) F	+\$788
Price Category (Geiger) G	+\$1075
Price Category (Geiger) H	+\$1337
Price Category (Geiger) I	+\$1616
Price Category (Geiger) J	+\$1894
Price Category (Geiger) K	+\$2172
Price Category (Geiger) L	+\$2450
Price Category (Geiger) M	+\$2728
Price Category (Geiger) N	+\$3006
Price Category (Geiger) O	+\$3284
Price Category (Geiger) P	+\$3554
Price Category (Geiger) Q	+\$4103
Price Category (Geiger) R	+\$5717
Price Category (Geiger) S	+\$6142
Price Category (Geiger) V	+\$7416
Price Category (Geiger) COL A	+\$540
Price Category (Geiger) COM A	+\$0

For arms (A) with quilted (Q)

Price Category (Geiger) 1	+\$372
Price Category 1	+\$0
Price Category (Geiger) 2	+\$449
Price Category 2	+\$449
Price Category (Geiger) 3	+\$563
Price Category 3	+\$563
Price Category (Geiger) 4	+\$686
Price Category 4	+\$686
Price Category (Geiger) 5	+\$1001
Price Category 5	+\$1001
Price Category (Geiger) 6	+\$1316
Price Category (Geiger) 7	+\$1630
Price Category (Geiger) 8	+\$2497
Price Category (Geiger) 9	+\$3097
Price Category 9	+\$3097
Price Category (Geiger) 10	+\$3564
Price Category (Geiger) 11	+\$3993
Price Category 14	+\$5231
Price Category (Geiger) A	+\$315
Price Category (Geiger) C	+\$505
Price Category (Geiger) D	+\$668
Price Category (Geiger) E	+\$810
Price Category (Geiger) F	+\$973
Price Category (Geiger) G	+\$1325
Price Category (Geiger) H	+\$1648
Price Category (Geiger) I	+\$1991
Price Category (Geiger) J	+\$2334
Price Category (Geiger) K	+\$2677

Tuxedo Component Lounge™ Settee *continued*

Price Category (Geiger) L	+\$3020
Price Category (Geiger) M	+\$3363
Price Category (Geiger) N	+\$3706
Price Category (Geiger) O	+\$4049
Price Category (Geiger) P	+\$4383
Price Category (Geiger) Q	+\$5060
Price Category (Geiger) R	+\$7051
Price Category (Geiger) S	+\$7575
Price Category (Geiger) V	+\$9147
Price Category (Geiger) COM A	+\$0
Price Category (Geiger) COL A	+\$666

For arm left, armless right (AL) with quilted (Q)

Price Category (Geiger) 1	+\$342
Price Category 1	+\$0
Price Category (Geiger) 2	+\$412
Price Category 2	+\$412
Price Category (Geiger) 3	+\$518
Price Category 3	+\$518
Price Category (Geiger) 4	+\$631
Price Category 4	+\$631
Price Category (Geiger) 5	+\$920
Price Category 5	+\$920
Price Category (Geiger) 6	+\$1209
Price Category (Geiger) 7	+\$1498
Price Category (Geiger) 8	+\$2294
Price Category (Geiger) 9	+\$2846
Price Category 9	+\$2846
Price Category (Geiger) 10	+\$3275
Price Category (Geiger) 11	+\$3669
Price Category 14	+\$4808
Price Category (Geiger) A	+\$290
Price Category (Geiger) C	+\$465
Price Category (Geiger) D	+\$613
Price Category (Geiger) E	+\$745
Price Category (Geiger) F	+\$894
Price Category (Geiger) G	+\$1218
Price Category (Geiger) H	+\$1516
Price Category (Geiger) I	+\$1831
Price Category (Geiger) J	+\$2146
Price Category (Geiger) K	+\$2461
Price Category (Geiger) L	+\$2776
Price Category (Geiger) M	+\$3092
Price Category (Geiger) N	+\$3407
Price Category (Geiger) O	+\$3722
Price Category (Geiger) P	+\$4028
Price Category (Geiger) Q	+\$4650

Price Category (Geiger) R	+\$6479
Price Category (Geiger) S	+\$6961
Price Category (Geiger) V	+\$8405
Price Category (Geiger) COM A	+\$0
Price Category (Geiger) COL A	+\$612

For arm right, armless left (AR) with quilted (Q)

Price Category (Geiger) 1	+\$342
Price Category 1	+\$0
Price Category (Geiger) 2	+\$412
Price Category 2	+\$412
Price Category (Geiger) 3	+\$518
Price Category 3	+\$518
Price Category (Geiger) 4	+\$631
Price Category 4	+\$631
Price Category (Geiger) 5	+\$920
Price Category 5	+\$920
Price Category (Geiger) 6	+\$1209
Price Category (Geiger) 7	+\$1498
Price Category (Geiger) 8	+\$2294
Price Category (Geiger) 9	+\$2846
Price Category 9	+\$2846
Price Category (Geiger) 10	+\$3275
Price Category (Geiger) 11	+\$3669
Price Category 14	+\$4808
Price Category (Geiger) A	+\$290
Price Category (Geiger) C	+\$465
Price Category (Geiger) D	+\$613
Price Category (Geiger) E	+\$745
Price Category (Geiger) F	+\$894
Price Category (Geiger) G	+\$1218
Price Category (Geiger) H	+\$1516
Price Category (Geiger) I	+\$1831
Price Category (Geiger) J	+\$2146
Price Category (Geiger) K	+\$2461
Price Category (Geiger) L	+\$2776
Price Category (Geiger) M	+\$3092
Price Category (Geiger) N	+\$3407
Price Category (Geiger) O	+\$3722
Price Category (Geiger) P	+\$4028
Price Category (Geiger) Q	+\$4650
Price Category (Geiger) R	+\$6479
Price Category (Geiger) S	+\$6961
Price Category (Geiger) V	+\$8405
Price Category (Geiger) COM A	+\$0
Price Category (Geiger) COL A	+\$612

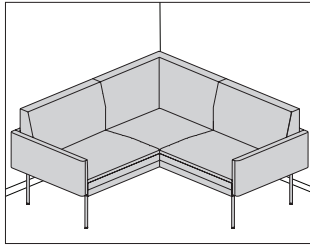
Tuxedo Component Lounge™
Settee *continued*

Step 5. Base Finish		
926	black <input type="checkbox"/>	+\$0
AS	arctic silver <input type="checkbox"/>	+\$0
WHT	white <input type="checkbox"/>	+\$0
CHR	chrome <input type="checkbox"/>	+\$671
SAC	satin chrome <input type="checkbox"/>	+\$671

Step 6. Fire Retardancy			N	A	AL	AR
NOCAL	not fire retardant <input type="checkbox"/>	+\$0	0	0	0	0
133	fire retardant <input type="checkbox"/>	+\$488	602	553	553	

Tuxedo Component Lounge™
Settee Corner

ST2CL
ST2CR



Product Information

Description

This corner settee has a foam and Dacron® seat with a painted or plated steel base.

Notes

Customer's Own Material (COM)/Customer's Own Leather (COL) requires the following:

Type—COM—COL

ST2CLNN/ST2CRNN—9¼ yards—166½ square feet

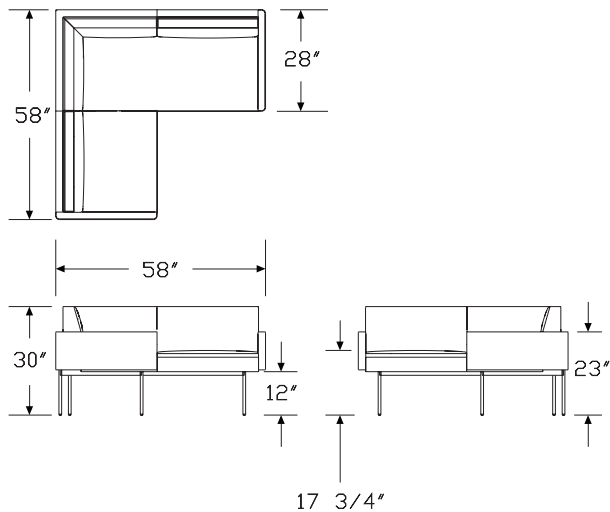
ST2CLNQ/ST2CRNQ—9¼ yards—166½ square feet

ST2CLAN/ST2CRAN—10¼ yards—184½ square feet

ST2CLAQ/ST2CRAQ—10¼ yards—184½ square feet

See Order Information in Appendices for more information.

Dimensions



Specification Information

Step 1.

ST2C A

Step 2. Corner

L corner left A

R corner right A

Step 3. Arms

N no arms A

A arms A

Step 4. Upholstery Type

N not quilted A

Q quilted A

Prices for Steps 1-4.

		N	Q
ST2CL	N	\$4576	4657
	A	\$4773	4981
ST2CR	N	\$4576	4657
	A	\$4773	4981

Step 5. Upholstery

For no arms (N) with not quilted (N)

Price Category (Geiger) 1	+\$302
Price Category 1	+\$0
Price Category (Geiger) 2	+\$364
Price Category 2	+\$364
Price Category (Geiger) 3	+\$457
Price Category 3	+\$457
Price Category (Geiger) 4	+\$557
Price Category 4	+\$557
Price Category (Geiger) 5	+\$812
Price Category 5	+\$812
Price Category (Geiger) 6	+\$1067
Price Category (Geiger) 7	+\$1322
Price Category (Geiger) 8	+\$2024
Price Category (Geiger) 9	+\$2512
Price Category 9	+\$2512
Price Category (Geiger) 10	+\$2890
Price Category (Geiger) 11	+\$3238
Price Category 14	+\$4242
Price Category (Geiger) A	+\$256
Price Category (Geiger) C	+\$410

Tuxedo Component Lounge™
Settee Corner *continued*

Price Category (Geiger) D	+\$541
Price Category (Geiger) E	+\$658
Price Category (Geiger) F	+\$788
Price Category (Geiger) G	+\$1075
Price Category (Geiger) H	+\$1337
Price Category H	+\$1298
Price Category (Geiger) I	+\$1616
Price Category (Geiger) J	+\$1894
Price Category (Geiger) K	+\$2172
Price Category (Geiger) L	+\$2450
Price Category (Geiger) M	+\$2728
Price Category (Geiger) N	+\$3006
Price Category (Geiger) O	+\$3284
Price Category (Geiger) P	+\$3554
Price Category (Geiger) Q	+\$4103
Price Category (Geiger) R	+\$5717
Price Category (Geiger) S	+\$6142
Price Category (Geiger) V	+\$7416
Price Category (Geiger) X	+\$8266
Price Category (Geiger) Y	+\$8692
Price Category (Geiger) COM A	+\$0
Price Category (Geiger) COL A	+\$540

For quilted (Q)

	N	A
Price Category (Geiger) 1	+\$302	372
Price Category 1	+\$0	0
Price Category (Geiger) 2	+\$364	449
Price Category 2	+\$364	449
Price Category (Geiger) 3	+\$457	563
Price Category 3	+\$457	563
Price Category (Geiger) 4	+\$557	686
Price Category 4	+\$557	686
Price Category (Geiger) 5	+\$812	1001
Price Category 5	+\$812	1001
Price Category (Geiger) 7	+\$1322	1630
Price Category (Geiger) 8	+\$2024	2497
Price Category (Geiger) 9	+\$2512	3097
Price Category 9	+\$2512	3097
Price Category (Geiger) 10	+\$2890	3564
Price Category (Geiger) 11	+\$3238	3993
Price Category 14	+\$4242	5231
Price Category (Geiger) A	+\$256	315
Price Category (Geiger) C	+\$410	505
Price Category (Geiger) D	+\$541	668
Price Category (Geiger) E	+\$658	810
Price Category (Geiger) F	+\$788	973

Price Category (Geiger) G	+\$1075	1325
Price Category (Geiger) H	+\$1337	1648
Price Category H	+\$1298	1600
Price Category (Geiger) I	+\$1616	1991
Price Category (Geiger) J	+\$1894	2334
Price Category (Geiger) K	+\$2172	2677
Price Category (Geiger) L	+\$2450	3020
Price Category (Geiger) M	+\$2728	3363
Price Category (Geiger) N	+\$3006	3706
Price Category (Geiger) O	+\$3284	4049
Price Category (Geiger) P	+\$3554	4383
Price Category (Geiger) Q	+\$4103	5060
Price Category (Geiger) R	+\$5717	7051
Price Category (Geiger) S	+\$6142	7575
Price Category (Geiger) V	+\$7416	9147
Price Category (Geiger) COM A	+\$0	0
Price Category (Geiger) COL A	+\$540	666

For arms (A) with not quilted (N)

Price Category (Geiger) 1	+\$372
Price Category 1	+\$0
Price Category (Geiger) 2	+\$449
Price Category 2	+\$449
Price Category (Geiger) 3	+\$563
Price Category 3	+\$563
Price Category (Geiger) 4	+\$686
Price Category 4	+\$686
Price Category (Geiger) 5	+\$1001
Price Category 5	+\$1001
Price Category (Geiger) 6	+\$1316
Price Category (Geiger) 7	+\$1630
Price Category (Geiger) 8	+\$2497
Price Category (Geiger) 9	+\$3097
Price Category 9	+\$3097
Price Category (Geiger) 10	+\$3564
Price Category (Geiger) 11	+\$3993
Price Category 14	+\$5231
Price Category (Geiger) A	+\$315
Price Category (Geiger) C	+\$505
Price Category (Geiger) D	+\$668
Price Category (Geiger) E	+\$810
Price Category (Geiger) F	+\$973
Price Category (Geiger) G	+\$1325
Price Category H	+\$1600
Price Category (Geiger) H	+\$1648
Price Category (Geiger) I	+\$1991
Price Category (Geiger) J	+\$2334

Tuxedo Component Lounge™ Settee Corner *continued*

Price Category (Geiger) K	+\$2677
Price Category (Geiger) L	+\$3020
Price Category (Geiger) M	+\$3363
Price Category (Geiger) N	+\$3706
Price Category (Geiger) O	+\$4049
Price Category (Geiger) P	+\$4383
Price Category (Geiger) Q	+\$5060
Price Category (Geiger) R	+\$7051
Price Category (Geiger) S	+\$7575
Price Category (Geiger) V	+\$9147
Price Category (Geiger) X	+\$10195
Price Category (Geiger) Y	+\$10719
Price Category (Geiger) COM <input type="checkbox"/>	+\$0
Price Category (Geiger) COL <input type="checkbox"/>	+\$666

Step 6. Base Finish

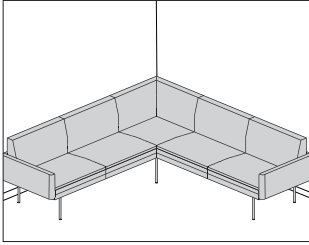
926 black <input type="checkbox"/>	+\$0
AS arctic silver <input type="checkbox"/>	+\$0
WHT white <input type="checkbox"/>	+\$0
CHR chrome <input type="checkbox"/>	+\$671
SAC satin chrome <input type="checkbox"/>	+\$671

Step 7. Fire Retardancy

		N	A
NOCAL not fire retardant <input type="checkbox"/>		+\$0	0
133 fire retardant <input type="checkbox"/>		+\$602	488

Tuxedo Component Lounge™ Sofa
Corner

ST3CL
ST3CR



Product Information

Description

This corner sofa has a foam and Dacron® seat with a painted or plated steel base.

Notes

Customer's Own Material (COM)/Customer's Own Leather (COL) requires the following:

Type—COM—COL

ST3CLNN/ST3CRNN—13 yards—234 square feet

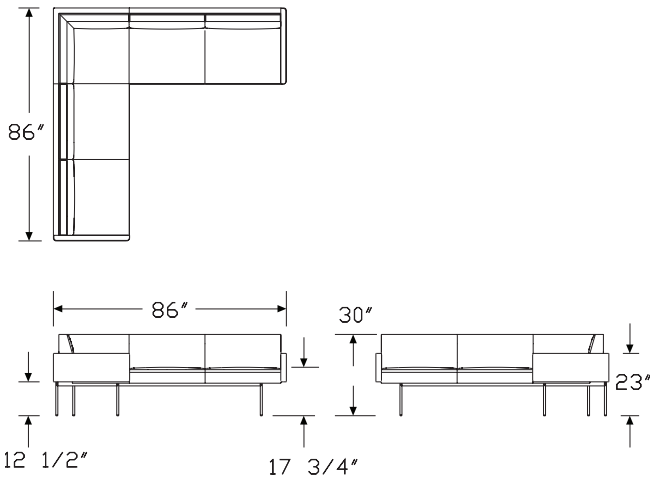
ST3CLNQ/ST3CRNQ—13 yards—234 square feet

ST3CLAN/ST3CRAN—14 yards—252 square feet

ST3CLAQ/ST3CRAQ—14 yards—252 square feet

See Order Information in Appendices for more information.

Dimensions



HermanMiller Collection—Sofas

Specification Information

Step 1.

ST3C A

Step 2. Corner

L corner left A

R corner right A

Step 3. Arms

N no arms A

A arms A

Step 4. Upholstery Type

N not quilted A

Q quilted A

Prices for Steps 1-4.

		N	Q
ST3CL	N	\$6060	6136
	A	\$6278	6455
ST3CR	N	\$6060	6136
	A	\$6278	6455

Step 5. Upholstery

For not quilted (N)

	N	A
Price Category (Geiger) 1	+\$523	563
Price Category 1	+\$0	0
Price Category (Geiger) 2	+\$630	678
Price Category 2	+\$630	678
Price Category (Geiger) 3	+\$791	851
Price Category 3	+\$791	851
Price Category (Geiger) 4	+\$965	1039
Price Category 4	+\$965	1039
Price Category (Geiger) 5	+\$1406	1515
Price Category 5	+\$1406	1515
Price Category (Geiger) 6	+\$1848	1990
Price Category (Geiger) 7	+\$2290	2466
Price Category (Geiger) 8	+\$3509	3779
Price Category (Geiger) 9	+\$4352	4687
Price Category 9	+\$4352	4687
Price Category (Geiger) 10	+\$5008	5394
Price Category (Geiger) 11	+\$5611	6042
Price Category 14	+\$7352	7917
Price Category (Geiger) A	+\$442	476

Tuxedo Component Lounge™ Sofa

Corner *continued*

Price Category (Geiger) C	+\$710	765
Price Category (Geiger) D	+\$938	1010
Price Category (Geiger) E	+\$1139	1226
Price Category (Geiger) F	+\$1366	1471
Price Category (Geiger) G	+\$1862	2005
Price Category (Geiger) H	+\$2317	2495
Price Category H	+\$2249	2422
Price Category (Geiger) I	+\$2799	3014
Price Category (Geiger) J	+\$3281	3533
Price Category (Geiger) K	+\$3763	4053
Price Category (Geiger) L	+\$4245	4572
Price Category (Geiger) M	+\$4727	5091
Price Category (Geiger) N	+\$5209	5610
Price Category (Geiger) O	+\$5691	6129
Price Category (Geiger) P	+\$6160	6634
Price Category (Geiger) Q	+\$7111	7658
Price Category (Geiger) R	+\$9909	10671
Price Category (Geiger) S	+\$10646	11464
Price Category (Geiger) V	+\$12855	13844
Price Category (Geiger) X	+\$14328	15430
Price Category (Geiger) Y	+\$15064	16223
Price Category (Geiger) COM <input type="checkbox"/>	+\$0	0
Price Category (Geiger) COL <input type="checkbox"/>	+\$936	1008

For quilted (Q)

	N	A
Price Category (Geiger) 1	+\$523	563
Price Category 1	+\$0	0
Price Category (Geiger) 2	+\$630	678
Price Category 2	+\$630	678
Price Category (Geiger) 3	+\$791	851
Price Category 3	+\$791	851
Price Category (Geiger) 4	+\$965	1039
Price Category 4	+\$965	1039
Price Category (Geiger) 5	+\$1406	1515
Price Category 5	+\$1406	1515
Price Category (Geiger) 7	+\$2290	2466
Price Category (Geiger) 8	+\$3509	3779
Price Category (Geiger) 9	+\$4352	4687
Price Category 9	+\$4352	4687
Price Category (Geiger) 10	+\$5008	5394
Price Category (Geiger) 11	+\$5611	6042
Price Category 14	+\$7352	7917
Price Category (Geiger) A	+\$442	476
Price Category (Geiger) C	+\$710	765
Price Category (Geiger) D	+\$938	1010
Price Category (Geiger) E	+\$1139	1226

Price Category (Geiger) F	+\$1366	1471
Price Category (Geiger) G	+\$1862	2005
Price Category (Geiger) H	+\$2317	2495
Price Category H	+\$2249	2422
Price Category (Geiger) I	+\$2799	3014
Price Category (Geiger) J	+\$3281	3533
Price Category (Geiger) K	+\$3763	4053
Price Category (Geiger) L	+\$4245	4572
Price Category (Geiger) M	+\$4727	5091
Price Category (Geiger) N	+\$5209	5610
Price Category (Geiger) O	+\$5691	6129
Price Category (Geiger) P	+\$6160	6634
Price Category (Geiger) Q	+\$7111	7658
Price Category (Geiger) R	+\$9909	10671
Price Category (Geiger) S	+\$10646	11464
Price Category (Geiger) V	+\$12855	13844
Price Category (Geiger) COM <input type="checkbox"/>	+\$0	0
Price Category (Geiger) COL <input type="checkbox"/>	+\$936	1008

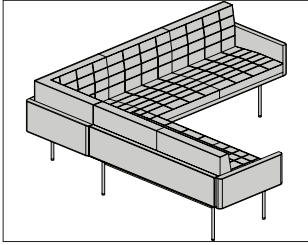
Step 6. Base Finish

926 black <input type="checkbox"/>	+\$0
AS arctic silver <input type="checkbox"/>	+\$0
WHT white <input type="checkbox"/>	+\$0
CHR chrome <input type="checkbox"/>	+\$671
SAC satin chrome <input type="checkbox"/>	+\$671

Step 7. Fire Retardancy

	N	A
NOCAL not fire retardant <input type="checkbox"/>	+\$0	0
133 fire retardant <input type="checkbox"/>	+\$910	845

Tuxedo Component Lounge™ ST2MN
 Corner Sofa with Attached Settee ST2MQ



Product Information

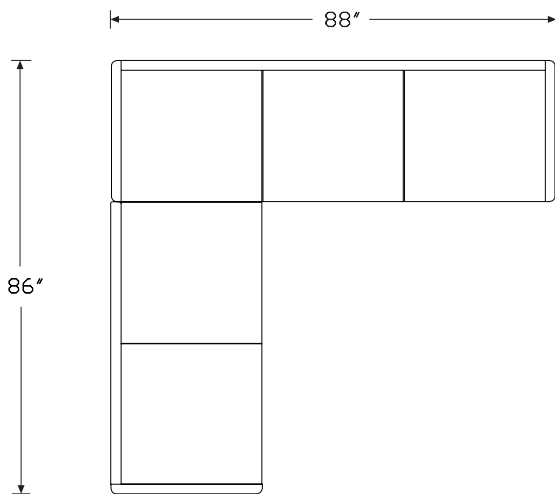
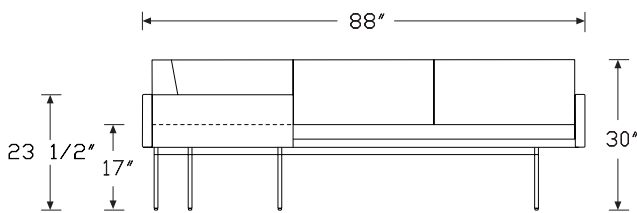
Description

This corner sofa with attached settee has a foam and Dacron® seat with a painted or plated steel base.

Notes

COM/COL requires 25 1/4 yards/450 square feet.

Dimensions



Shown above - Corner sofa left, settee right (R)

Specification Information

Step 1.

ST2M A

Step 2. Upholstery Type

N- not quilted A

Q- quilted A

Step 3. Settee Position

L corner sofa right, settee left A

R corner sofa left, settee right A

Prices for Steps 1-3.

ST2MN- L	\$10382
R	\$10382

ST2MQ- L	\$10691
R	\$10691

Step 4. Upholstery

For not quilted (N-)

Price Category (Geiger) 1	+\$0
Price Category 1	+\$0
Price Category (Geiger) 2	+\$0
Price Category 2	+\$0
Price Category (Geiger) 3	+\$1368
Price Category 3	+\$1368
Price Category (Geiger) 4	+\$1669
Price Category 4	+\$1669
Price Category (Geiger) 5	+\$2434
Price Category 5	+\$2434
Price Category (Geiger) 6	+\$3199
Price Category (Geiger) 7	+\$3964
Price Category (Geiger) 8	+\$6072
Price Category (Geiger) 9	+\$7533
Price Category 9	+\$7533
Price Category (Geiger) 10	+\$8668
Price Category (Geiger) 11	+\$9711
Price Category (Geiger) 14	+\$12724
Price Category (Geiger) A	+\$1276
Price Category (Geiger) C	+\$1507
Price Category (Geiger) D	+\$1739
Price Category (Geiger) E	+\$1971
Price Category (Geiger) F	+\$2203
Price Category (Geiger) G	+\$2434
Price Category (Geiger) H	+\$2666

Tuxedo Component Lounge™ Corner Sofa with Attached Settee

continued

Price Category (Geiger) I	+\$4845
Price Category (Geiger) J	+\$3013
Price Category (Geiger) K	+\$3361
Price Category (Geiger) L	+\$3708
Price Category (Geiger) M	+\$4172
Price Category (Geiger) N	+\$4635
Price Category (Geiger) O	+\$9850
Price Category (Geiger) P	+\$5099
Price Category (Geiger) Q	+\$10429
Price Category (Geiger) R	+\$17150
Price Category (Geiger) S	+\$18425
Price Category (Geiger) V	+\$22248
Price Category (Geiger) X	+\$24798
Price Category (Geiger) Y	+\$26073
Price Category (Geiger) COM <input type="checkbox"/>	+\$0
Price Category (Geiger) COL <input type="checkbox"/>	+\$2025

For quilted (Q-)

Price Category (Geiger) 1	+\$0
Price Category 1	+\$0
Price Category (Geiger) 2	+\$0
Price Category 2	+\$0
Price Category (Geiger) 3	+\$1368
Price Category 3	+\$1368
Price Category (Geiger) 4	+\$1669
Price Category 4	+\$1669
Price Category (Geiger) 5	+\$2434
Price Category 5	+\$2434
Price Category (Geiger) 6	+\$3199
Price Category (Geiger) 7	+\$3964
Price Category (Geiger) 8	+\$6072
Price Category (Geiger) 9	+\$7533
Price Category 9	+\$7533
Price Category (Geiger) 10	+\$8668
Price Category (Geiger) 11	+\$9711
Price Category (Geiger) 14	+\$12724
Price Category (Geiger) A	+\$1276
Price Category (Geiger) C	+\$1507
Price Category (Geiger) D	+\$1739
Price Category (Geiger) E	+\$1971
Price Category (Geiger) F	+\$2203
Price Category (Geiger) G	+\$2434
Price Category (Geiger) H	+\$2666
Price Category (Geiger) I	+\$4845
Price Category (Geiger) J	+\$3013
Price Category (Geiger) K	+\$3361
Price Category (Geiger) L	+\$3708

Price Category (Geiger) M	+\$4172
Price Category (Geiger) N	+\$4635
Price Category (Geiger) O	+\$9850
Price Category (Geiger) P	+\$5099
Price Category (Geiger) Q	+\$10429
Price Category (Geiger) R	+\$17150
Price Category (Geiger) S	+\$18425
Price Category (Geiger) V	+\$22248
Price Category (Geiger) COM <input type="checkbox"/>	+\$0
Price Category (Geiger) COL <input type="checkbox"/>	+\$2025

Step 5. Base Finish

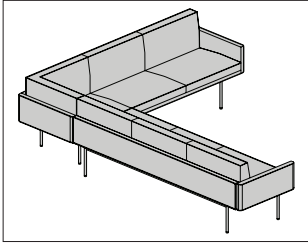
926 black <input type="checkbox"/>	+\$0
AS arctic silver <input type="checkbox"/>	+\$0
WHT white <input type="checkbox"/>	+\$0
CHR chrome <input type="checkbox"/>	+\$1342
SAC satin chrome <input type="checkbox"/>	+\$1342

Step 6. Fire Retardancy

NOCAL not fire retardant <input type="checkbox"/>	+\$0
133 fire retardant <input type="checkbox"/>	+\$1463

Tuxedo Component Lounge™
Corner Sofa with Attached Sofa

ST3MN
ST3MQ



Product Information

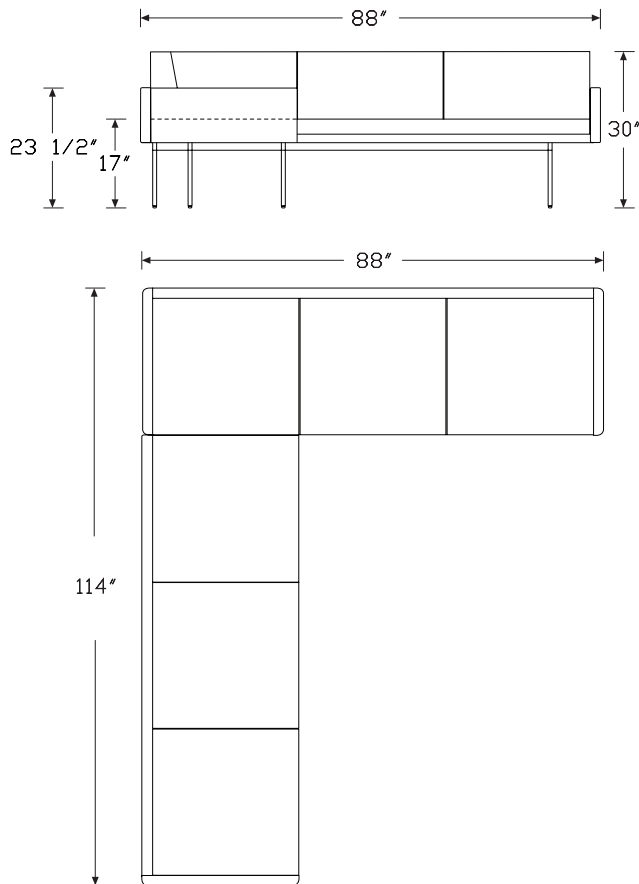
Description

This corner sofa with attached sofa has a foam and Dacron® seat with a painted or plated steel base.

Notes

COM/COL requires 28½ yards/513 square feet.

Dimensions



Shown above - Corner sofa left,
sofa right (R)

HermanMiller Collection—Sofas

Specification Information

Step 1.

ST3M A

Step 2. Upholstery Type

N- not quilted A

Q- quilted A

Step 3. Sofa Position

L corner sofa right, sofa left A

R corner sofa left, sofa right A

Prices for Steps 1-3.

ST3MN- L	\$11953
R	\$11953

ST3MQ- L	\$12308
R	\$12308

Step 4. Upholstery

For quilted (Q-)

Price Category (Geiger) 1	+\$0
Price Category 1	+\$0
Price Category (Geiger) 2	+\$0
Price Category 2	+\$0
Price Category (Geiger) 3	+\$1581
Price Category 3	+\$1581
Price Category (Geiger) 4	+\$1929
Price Category 4	+\$1929
Price Category (Geiger) 5	+\$2812
Price Category 5	+\$2812
Price Category (Geiger) 6	+\$3696
Price Category (Geiger) 7	+\$4580
Price Category (Geiger) 8	+\$7017
Price Category (Geiger) 9	+\$8704
Price Category 9	+\$8704
Price Category (Geiger) 10	+\$10016
Price Category (Geiger) 11	+\$11221
Price Category (Geiger) 14	+\$14675
Price Category (Geiger) A	+\$1473
Price Category (Geiger) C	+\$1741
Price Category (Geiger) D	+\$2009
Price Category (Geiger) E	+\$2277
Price Category (Geiger) F	+\$2545
Price Category (Geiger) G	+\$2812
Price Category (Geiger) H	+\$3080

Tuxedo Component Lounge™ Corner Sofa with Attached Sofa

continued

Price Category (Geiger) I	+\$5598
Price Category (Geiger) J	+\$3482
Price Category (Geiger) K	+\$3884
Price Category (Geiger) L	+\$4285
Price Category (Geiger) M	+\$4821
Price Category (Geiger) N	+\$5356
Price Category (Geiger) O	+\$11382
Price Category (Geiger) P	+\$5892
Price Category (Geiger) Q	+\$12051
Price Category (Geiger) R	+\$19818
Price Category (Geiger) S	+\$21496
Price Category (Geiger) V	+\$25709
Price Category (Geiger) COM <input type="checkbox"/>	+\$0
Price Category (Geiger) COL <input type="checkbox"/>	+\$2340

For not quilted (N-)

Price Category (Geiger) 1	+\$0
Price Category 1	+\$0
Price Category (Geiger) 2	+\$0
Price Category 2	+\$0
Price Category (Geiger) 3	+\$1581
Price Category 3	+\$1581
Price Category (Geiger) 4	+\$1929
Price Category 4	+\$1929
Price Category (Geiger) 5	+\$2812
Price Category 5	+\$2812
Price Category (Geiger) 6	+\$3696
Price Category (Geiger) 7	+\$4580
Price Category (Geiger) 8	+\$7017
Price Category (Geiger) 9	+\$8704
Price Category 9	+\$8704
Price Category (Geiger) 10	+\$10016
Price Category (Geiger) 11	+\$11221
Price Category (Geiger) 14	+\$14675
Price Category (Geiger) A	+\$1473
Price Category (Geiger) C	+\$1741
Price Category (Geiger) D	+\$2009
Price Category (Geiger) E	+\$2277
Price Category (Geiger) F	+\$2545
Price Category (Geiger) G	+\$2812
Price Category (Geiger) H	+\$3080
Price Category (Geiger) I	+\$5598
Price Category (Geiger) J	+\$3482
Price Category (Geiger) K	+\$3884
Price Category (Geiger) L	+\$4285
Price Category (Geiger) M	+\$4821
Price Category (Geiger) N	+\$5356

Price Category (Geiger) O	+\$11382
Price Category (Geiger) P	+\$5892
Price Category (Geiger) Q	+\$12051
Price Category (Geiger) R	+\$19818
Price Category (Geiger) S	+\$21496
Price Category (Geiger) V	+\$25709
Price Category (Geiger) X	+\$28931
Price Category (Geiger) Y	+\$30417
Price Category (Geiger) COM <input type="checkbox"/>	+\$0
Price Category (Geiger) COL <input type="checkbox"/>	+\$2340

Step 5. Base Finish

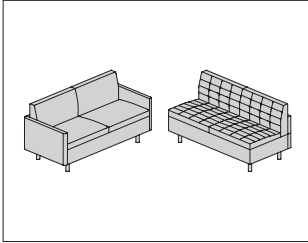
926 black <input type="checkbox"/>	+\$0
AS arctic silver <input type="checkbox"/>	+\$0
WHT white <input type="checkbox"/>	+\$0
CHR chrome <input type="checkbox"/>	+\$1342
SAC satin chrome <input type="checkbox"/>	+\$1342

Step 6. Fire Retardancy

NOCAL not fire retardant <input type="checkbox"/>	+\$0
133 fire retardant <input type="checkbox"/>	+\$1690

Tuxedo Classic Settee

SZ2AB
SZ2AL
SZ2AN
SZ2AR



Product Information

Description

This settee has solid wood legs with cushions made of polyfoam and DACRON®. Cushions are quilted or not quilted. The settee is available without arms, or with arms on either the left or right side, or on both sides. Fire retardant settee meets CAL 133 requirements.

Notes

For arm on right (AR) configuration, settee connects to adjacent seat on the left.

For arm on left (AL) configuration, settee connects to adjacent seat on the right.

For arms on left and right (AB), settee connects to adjacent seat on left and right.

Handedness is determined from a seated position.

Customer's Own Material (COM)/Customer's Own Leather (COL) requires the following:

Type—COM—COL

SZ2ANN—8 yards—144 square feet

SZ2ANQ—8 yards—144 square feet

SZ2ABN—10¹/₂ yards—189 square feet

SZ2ABQ—10¹/₂ yards—189 square feet

SZ2ALN—9¹/₄ yards—166¹/₂ square feet

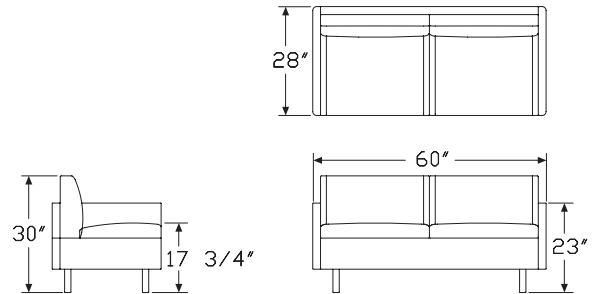
SZ2ALQ—9¹/₄ yards—166¹/₂ square feet

SZ2ARN—9¹/₄ yards—166¹/₂ square feet

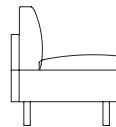
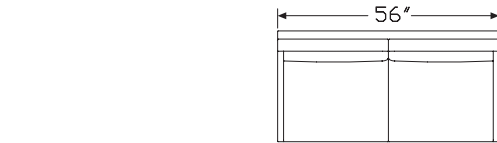
SZ2ARQ—9¹/₄ yards—166¹/₂ square feet

See Order Information in Appendices for more information.

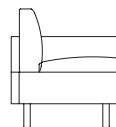
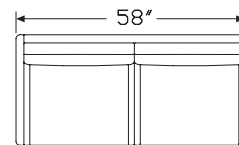
Dimensions



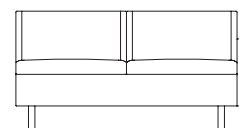
Settee



Connecting Settee - Armless



Connecting Settee - Arm Right



Connecting Settee - Arm Left

Tuxedo Classic Settee *continued*

Specification Information

Step 1.

SZ2 A

Step 2. Arms

- AN** armless A
- AB** arms on left and right A
- AL** arm on left A
- AR** arm on right A

Step 3. Upholstery Type

- N** not quilted A
- Q** quilted A

Prices for Steps 1-3.

SZ2AN N	\$3359
Q	\$3633
SZ2AB N	\$4125
Q	\$4393
SZ2AL N	\$3745
Q	\$4013
SZ2AR N	\$3745
Q	\$4013

Step 4. Fabric

For not quilted (N)

	AN	AB	AL	AR
Price Category (Geiger) COM A	+\$0	0	0	0
Price Category (Geiger) COL A	+\$576	756	666	666
Price Category 1	+\$0	0	0	0
Price Category (Geiger) 2	+\$388	509	449	449
Price Category 2	+\$388	509	449	449
Price Category (Geiger) 3	+\$487	639	563	563
Price Category 3	+\$487	639	563	563
Price Category (Geiger) 4	+\$594	779	686	686
Price Category 4	+\$594	779	686	686
Price Category (Geiger) 5	+\$866	1137	1001	1001
Price Category 5	+\$866	1137	1001	1001
Price Category (Geiger) 6	+\$1138	1493	1316	1316
Price Category (Geiger) 7	+\$1410	1850	1630	1630
Price Category (Geiger) 8	+\$2159	2834	2497	2497
Price Category (Geiger) 9	+\$2678	3516	3097	3097
Price Category 9	+\$2678	3516	3097	3097
Price Category (Geiger) 10	+\$3082	4045	3564	3564
Price Category 11	+\$3453	4532	3993	3993
Price Category 14	+\$0	0	0	0
Price Category (Geiger) D	+\$577	758	668	668
Price Category (Geiger) E	+\$701	920	810	810
Price Category (Geiger) F	+\$841	1104	973	973
Price Category (Geiger) G	+\$1146	1504	1325	1325
Price Category (Geiger) H	+\$1426	1872	1648	1648
Price Category (Geiger) I	+\$1723	2261	1991	1991
Price Category (Geiger) K	+\$2316	3040	2677	2677
Price Category (Geiger) L	+\$2613	3429	3020	3020
Price Category (Geiger) M	+\$2909	3819	3363	3363
Price Category (Geiger) R	+\$6098	8004	7051	7051

Tuxedo Classic Settee *continued*

For armless (AN) with quilted (Q)

Price Category (Geiger) D	+\$577
Price Category (Geiger) COM A	+\$0
Price Category (Geiger) COL A	+\$576
Price Category 1	+\$0
Price Category (Geiger) 2	+\$388
Price Category 2	+\$388
Price Category (Geiger) 3	+\$487
Price Category 3	+\$487
Price Category (Geiger) 4	+\$594
Price Category 4	+\$594
Price Category (Geiger) 5	+\$866
Price Category 5	+\$866
Price Category (Geiger) 6	+\$1138
Price Category (Geiger) 7	+\$1410
Price Category (Geiger) 8	+\$2159
Price Category 9	+\$2678
Price Category (Geiger) 10	+\$3082
Price Category 11	+\$3453
Price Category 14	+\$0
Price Category (Geiger) F	+\$841
Price Category (Geiger) G	+\$1146
Price Category (Geiger) H	+\$1426
Price Category (Geiger) I	+\$1723
Price Category (Geiger) K	+\$2316
Price Category (Geiger) L	+\$2613
Price Category (Geiger) M	+\$2909
Price Category (Geiger) R	+\$6098

For arms on left and right (AB) with quilted (Q)

Price Category (Geiger) COM A	+\$0
Price Category (Geiger) COL A	+\$756
Price Category 1	+\$0
Price Category (Geiger) 2	+\$509
Price Category 2	+\$509
Price Category (Geiger) 3	+\$639
Price Category 3	+\$639
Price Category (Geiger) 4	+\$779
Price Category 4	+\$779
Price Category (Geiger) 5	+\$1137
Price Category 5	+\$1137
Price Category (Geiger) 6	+\$1493
Price Category (Geiger) 7	+\$1850
Price Category (Geiger) 8	+\$2834
Price Category 9	+\$3516
Price Category (Geiger) 10	+\$4045
Price Category 11	+\$4532
Price Category 14	+\$0
Price Category (Geiger) D	+\$758
Price Category (Geiger) F	+\$1104
Price Category (Geiger) G	+\$1504
Price Category (Geiger) H	+\$1872
Price Category (Geiger) I	+\$2261
Price Category (Geiger) K	+\$3040
Price Category (Geiger) L	+\$3429
Price Category (Geiger) M	+\$3819
Price Category (Geiger) R	+\$8004

Tuxedo Classic Settee *continued*

For arm on left (AL) or arm on right (AR) with quilted (Q)

Price Category (Geiger) COM <input type="checkbox"/>	+\$0
Price Category (Geiger) COL <input type="checkbox"/>	+\$666
Price Category 1	+\$0
Price Category (Geiger) 2	+\$449
Price Category 2	+\$449
Price Category (Geiger) 3	+\$563
Price Category 3	+\$563
Price Category (Geiger) 4	+\$686
Price Category 4	+\$686
Price Category (Geiger) 5	+\$1001
Price Category 5	+\$1001
Price Category (Geiger) 6	+\$1316
Price Category (Geiger) 7	+\$1630
Price Category (Geiger) 8	+\$2497
Price Category 9	+\$3097
Price Category (Geiger) 10	+\$3564
Price Category 11	+\$3993
Price Category 14	+\$0
Price Category (Geiger) D	+\$668
Price Category (Geiger) F	+\$973
Price Category (Geiger) G	+\$1325
Price Category (Geiger) H	+\$1648
Price Category (Geiger) I	+\$1991
Price Category (Geiger) K	+\$2677
Price Category (Geiger) L	+\$3020
Price Category (Geiger) M	+\$3363
Price Category (Geiger) R	+\$7051

Step 5. Base Finish

Matte Finishes

662 toasted walnut, matte sheen <input type="checkbox"/>	+\$0
663 charred walnut, matte sheen <input type="checkbox"/>	+\$0
664 bronzed walnut, matte sheen <input type="checkbox"/>	+\$0
665 smoked walnut, matte sheen <input type="checkbox"/>	+\$0
666 coffee walnut, matte sheen <input type="checkbox"/>	+\$0
667 smoked paldao, quarter cut, matte sheen <input type="checkbox"/>	+\$0
669 warm paldao, quarter cut, matte sheen <input type="checkbox"/>	+\$0
66A recograin frosty ash <input type="checkbox"/>	+\$0
677 chocolate ash, matte sheen <input type="checkbox"/>	+\$0
68R recograin rosewood <input type="checkbox"/>	+\$0
69A recograin frosty ash <input type="checkbox"/>	+\$0
69R recograin rosewood <input type="checkbox"/>	+\$0
69T recograin teak <input type="checkbox"/>	+\$0
6K1 rift oak <input type="checkbox"/>	+\$0
ET clear on ash <input type="checkbox"/>	+\$0

EU oak on ash <input type="checkbox"/>	+\$0
EV walnut on ash <input type="checkbox"/>	+\$0
GOU natural walnut, flat cut, matte sheen <input type="checkbox"/>	+\$0
6A1 white ash <input type="checkbox"/>	+\$0
6K6 burnt oak <input type="checkbox"/>	+\$0
932 sundance anigre <input type="checkbox"/>	+\$0
933 caramel anigre <input type="checkbox"/>	+\$0
934 henna anigre <input type="checkbox"/>	+\$0
940 sundance cherry on maple <input type="checkbox"/>	+\$0
962 toasted walnut, low sheen <input type="checkbox"/>	+\$0
963 charred walnut, low sheen <input type="checkbox"/>	+\$0
964 bronzed walnut, low sheen <input type="checkbox"/>	+\$0
965 smoked walnut, low sheen <input type="checkbox"/>	+\$0
966 coffee walnut, low sheen <input type="checkbox"/>	+\$0
967 smoked paldao, low sheen <input type="checkbox"/>	+\$0
969 warm paldao, low sheen <input type="checkbox"/>	+\$0
972 sundance walnut <input type="checkbox"/>	+\$0
977 chocolate ash, low sheen <input type="checkbox"/>	+\$0
98R recograin rosewood <input type="checkbox"/>	+\$0
991 champagne ash <input type="checkbox"/>	+\$0
99A recograin frosty ash <input type="checkbox"/>	+\$0
99R recograin rosewood <input type="checkbox"/>	+\$0
99T recograin teak <input type="checkbox"/>	+\$0
9A1 white ash, quarter cut, low sheen <input type="checkbox"/>	+\$0
9K1 rift oak, rift cut, low sheen <input type="checkbox"/>	+\$0
9K6 burnt oak, rift cut, low sheen <input type="checkbox"/>	+\$0
G2U light brown walnut, low sheen <input type="checkbox"/>	+\$0
G40 dark brown walnut, low sheen <input type="checkbox"/>	+\$0
UX walnut on cherry <input type="checkbox"/>	+\$0
943 caramel cherry <input type="checkbox"/>	+\$0
946 cocoa cherry <input type="checkbox"/>	+\$0
956 cocoa sapele <input type="checkbox"/>	+\$0
998 ebony ash <input type="checkbox"/>	+\$0
ED aged cherry <input type="checkbox"/>	+\$0
EK medium red walnut <input type="checkbox"/>	+\$0

RecoGrain Veneer

66G recograin wenge <input type="checkbox"/>	+\$0
68W recograin walnut, flat cut, matte sheen <input type="checkbox"/>	+\$0
69G recograin wenge <input type="checkbox"/>	+\$0
69W recograin walnut, quarter cut, matte sheen <input type="checkbox"/>	+\$0

Recon Veneer -

96G wenge recograin, quarter cut, low sheen <input type="checkbox"/>	+\$0
98W recograin walnut, flat cut, low sheen <input type="checkbox"/>	+\$0
99G recograin wenge, quarter cut, low sheen <input type="checkbox"/>	+\$0
99W recograin walnut, quarter cut, low sheen <input type="checkbox"/>	+\$0

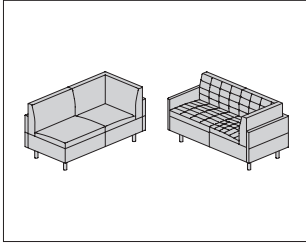
Tuxedo Classic Settee *continued*

Step 6. Fire Retardancy

NOCAL no cal-133 required A +\$0

Tuxedo Classic Corner Settee

SZ2CL
SZ2CR
SZ2ZL
SZ2ZR



Product Information

Description

This corner settee has solid wood legs with cushions made of polyfoam and DACRON®. Cushions are quilted or not quilted. The settee is available with the corner on the left or right side and with or without an arm on the opposite side. Fire retardant settee meets CAL 133 requirements.

Notes

Handedness is determined from a seated position.

Customer's Own Material (COM)/Customer's Own Leather (COL) requires the following:

Type—COM—COL

SZ2CRN—10½ yards—189 square feet

SZ2CRQ—10½ yards—189 square feet

SZ2CLN—10½ yards—189 square feet

SZ2CLQ—10½ yards—189 square feet

SZ2ZRN—11¾ yards—212 square feet

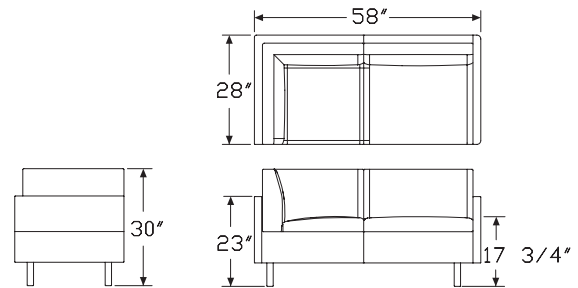
SZ2ZRQ—11¾ yards—212 square feet

SZ2ZLN—11¾ yards—212 square feet

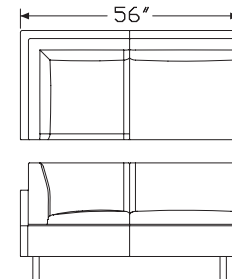
SZ2ZLQ—11¾ yards—212 square feet

See Order Information in Appendices for more information.

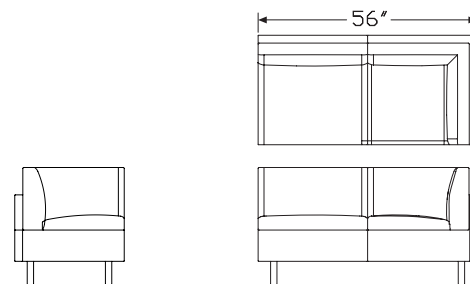
Dimensions



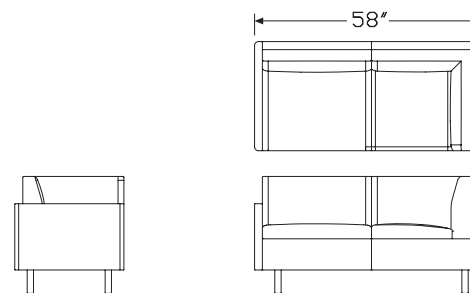
Corner Settee with Arm - Right



Corner Settee - Right



Corner Settee - Left



Corner Settee with Arm - Left

Tuxedo Classic Corner Settee

continued

Specification Information

Step 1.

SZ2 A

Step 2. Arms

CL corner left A

CR corner right A

ZL corner on left with arm on right A

ZR corner on right with arm on left A

Step 3. Upholstery Type

N not quilted A

Q quilted A

Prices for Steps 1-3.

SZ2CL	N	\$4236
	Q	\$4560

SZ2CR	N	\$4236
	Q	\$4560

SZ2ZL	N	\$4616
	Q	\$4940

SZ2ZR	N	\$4616
	Q	\$4940

Step 4. Fabric

For not quilted (N)

Price Category (Geiger) COM	<input type="checkbox"/> A	+\$0
Price Category (Geiger) COL	<input type="checkbox"/> A	+\$756
Price Category 1		+\$0
Price Category (Geiger) 2		+\$509
Price Category 2		+\$509
Price Category (Geiger) 3		+\$639
Price Category 3		+\$639
Price Category (Geiger) 4		+\$779
Price Category 4		+\$779
Price Category (Geiger) 5		+\$1137
Price Category 5		+\$1137
Price Category (Geiger) 6		+\$1493
Price Category (Geiger) 7		+\$1850
Price Category (Geiger) 8		+\$2834
Price Category (Geiger) 9		+\$3516
Price Category 9		+\$3516
Price Category (Geiger) 10		+\$4045
Price Category 11		+\$4532
Price Category 14		+\$0
Price Category (Geiger) D		+\$758
Price Category (Geiger) E		+\$920
Price Category (Geiger) F		+\$1104
Price Category (Geiger) G		+\$1504
Price Category (Geiger) H		+\$1872
Price Category (Geiger) I		+\$2261
Price Category (Geiger) K		+\$3040
Price Category (Geiger) L		+\$3429
Price Category (Geiger) M		+\$3819
Price Category (Geiger) R		+\$8004

Tuxedo Classic Corner Settee

continued

For quilted (Q)

Price Category (Geiger) COM <input type="checkbox"/>	+\$0
Price Category (Geiger) COL <input type="checkbox"/>	+\$756
Price Category 1	+\$0
Price Category (Geiger) 2	+\$509
Price Category 2	+\$509
Price Category (Geiger) 3	+\$639
Price Category 3	+\$639
Price Category (Geiger) 4	+\$779
Price Category 4	+\$779
Price Category (Geiger) 5	+\$1137
Price Category 5	+\$1137
Price Category (Geiger) 6	+\$1493
Price Category (Geiger) 7	+\$1850
Price Category (Geiger) 8	+\$2834
Price Category 9	+\$3516
Price Category (Geiger) 10	+\$4045
Price Category 11	+\$4532
Price Category 14	+\$0
Price Category (Geiger) D	+\$758
Price Category (Geiger) F	+\$1104
Price Category (Geiger) G	+\$1504
Price Category (Geiger) H	+\$1872
Price Category (Geiger) I	+\$2261
Price Category (Geiger) K	+\$3040
Price Category (Geiger) L	+\$3429
Price Category (Geiger) M	+\$3819
Price Category (Geiger) R	+\$8004

Step 5. Base Finish

Matte Finishes

662	toasted walnut, matte sheen <input type="checkbox"/>	+\$0
663	charred walnut, matte sheen <input type="checkbox"/>	+\$0
664	bronzed walnut, matte sheen <input type="checkbox"/>	+\$0
665	smoked walnut, matte sheen <input type="checkbox"/>	+\$0
666	coffee walnut, matte sheen <input type="checkbox"/>	+\$0
667	smoked paldao, quarter cut, matte sheen <input type="checkbox"/>	+\$0
669	warm paldao, quarter cut, matte sheen <input type="checkbox"/>	+\$0
66A	recograin frosty ash <input type="checkbox"/>	+\$0
677	chocolate ash, matte sheen <input type="checkbox"/>	+\$0
68R	recograin rosewood <input type="checkbox"/>	+\$0
69A	recograin frosty ash <input type="checkbox"/>	+\$0
69R	recograin rosewood <input type="checkbox"/>	+\$0
69T	recograin teak <input type="checkbox"/>	+\$0
6K1	rift oak <input type="checkbox"/>	+\$0
ET	clear on ash <input type="checkbox"/>	+\$0

EU	oak on ash <input type="checkbox"/>	+\$0
EV	walnut on ash <input type="checkbox"/>	+\$0
GOU	natural walnut, flat cut, matte sheen <input type="checkbox"/>	+\$0
6A1	white ash <input type="checkbox"/>	+\$0
6K6	burnt oak <input type="checkbox"/>	+\$0
932	sundance anigre <input type="checkbox"/>	+\$0
933	caramel anigre <input type="checkbox"/>	+\$0
934	henna anigre <input type="checkbox"/>	+\$0
940	sundance cherry on maple <input type="checkbox"/>	+\$0
962	toasted walnut, low sheen <input type="checkbox"/>	+\$0
963	charred walnut, low sheen <input type="checkbox"/>	+\$0
964	bronzed walnut, low sheen <input type="checkbox"/>	+\$0
965	smoked walnut, low sheen <input type="checkbox"/>	+\$0
966	coffee walnut, low sheen <input type="checkbox"/>	+\$0
967	smoked paldao, low sheen <input type="checkbox"/>	+\$0
969	warm paldao, low sheen <input type="checkbox"/>	+\$0
972	sundance walnut <input type="checkbox"/>	+\$0
977	chocolate ash, low sheen <input type="checkbox"/>	+\$0
98R	recograin rosewood <input type="checkbox"/>	+\$0
991	champagne ash <input type="checkbox"/>	+\$0
99A	recograin frosty ash <input type="checkbox"/>	+\$0
99R	recograin rosewood <input type="checkbox"/>	+\$0
99T	recograin teak <input type="checkbox"/>	+\$0
9A1	white ash, quarter cut, low sheen <input type="checkbox"/>	+\$0
9K1	rift oak, rift cut, low sheen <input type="checkbox"/>	+\$0
9K6	burnt oak, rift cut, low sheen <input type="checkbox"/>	+\$0
G2U	light brown walnut, low sheen <input type="checkbox"/>	+\$0
G40	dark brown walnut, low sheen <input type="checkbox"/>	+\$0
UX	walnut on cherry <input type="checkbox"/>	+\$0
943	caramel cherry <input type="checkbox"/>	+\$0
946	cocoa cherry <input type="checkbox"/>	+\$0
956	cocoa sapele <input type="checkbox"/>	+\$0
998	ebony ash <input type="checkbox"/>	+\$0
ED	aged cherry <input type="checkbox"/>	+\$0
EK	medium red walnut <input type="checkbox"/>	+\$0

RecoGrain Veneer

66G	recograin wenge <input type="checkbox"/>	+\$0
68W	recograin walnut, flat cut, matte sheen <input type="checkbox"/>	+\$0
69G	recograin wenge <input type="checkbox"/>	+\$0
69W	recograin walnut, quarter cut, matte sheen <input type="checkbox"/>	+\$0

Recon Veneer -

96G	wenge recograin, quarter cut, low sheen <input type="checkbox"/>	+\$0
98W	recograin walnut, flat cut, low sheen <input type="checkbox"/>	+\$0
99G	recograin wenge, quarter cut, low sheen <input type="checkbox"/>	+\$0
99W	recograin walnut, quarter cut, low sheen <input type="checkbox"/>	+\$0

Tuxedo Classic Corner Settee

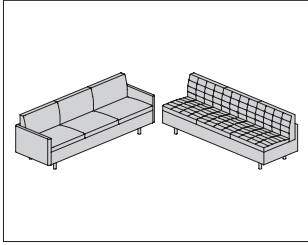
continued

Step 6. Fire Retardancy

NOCAL no cal-133 required A +\$0

Tuxedo Classic Sofa

SZ3AB
SZ3AL
SZ3AN
SZ3AR



Product Information

Description

This sofa has solid wood legs with cushions made of polyfoam and DACRON®. Cushions are quilted or not quilted. The sofa is available without arms, or with arms on either the left or right side, or on both sides. Fire retardant sofa meets CAL 133 requirements.

Notes

For arm on right (AR) configuration, sofa connects to adjacent seat on the left.

For arm on left (AL) configuration, sofa connects to adjacent seat on the right.

For arms on left and right (AB), sofa connects to adjacent seat on left and right.

Handedness is determined from a seated position.

Customer's Own Material (COM)/Customer's Own Leather (COL) requires the following:

Type—COM—COL

SZ3ANN—11½ yards—207 square feet

SZ3ANQ—11½ yards—207 square feet

SZ3ABN—14 yards—252 square feet

SZ3ABQ—14 yards—252 square feet

SZ3ALN—12¾ yards—229½ square feet

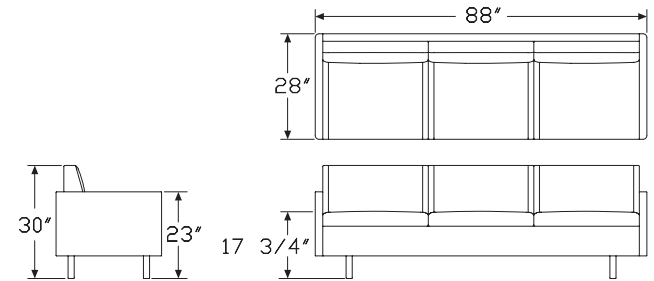
SZ3ALQ—12¾ yards—229½ square feet

SZ3ARN—12¾ yards—229½ square feet

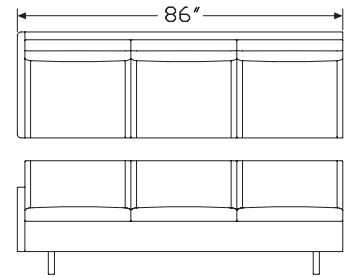
SZ3ARQ—12¾ yards—229½ square feet

See Order Information in Appendices for more information.

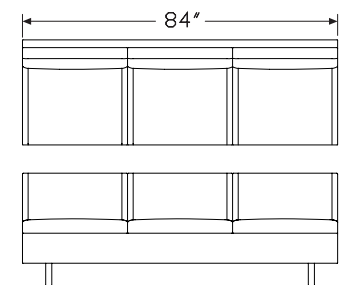
Dimensions



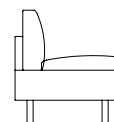
Sofa



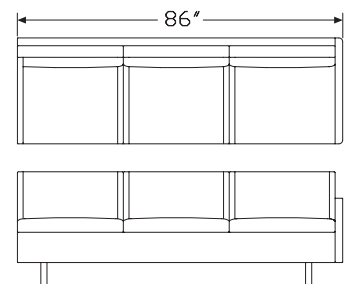
Connecting Sofa - Arm Right



Connecting Sofa - Armless



Connecting Sofa - Arm Left



Specification Information

Step 1.

SZ3 A

Step 2. Arms

- AN** armless A
- AB** arms on left and right A
- AL** arm on left A
- AR** arm on right A

Step 3. Upholstery Type

- N** not quilted A
- Q** quilted A

Prices for Steps 1-3.

SZ3AN	N		\$4652
	Q		\$5173
SZ3AB	N		\$5523
	Q		\$5928
SZ3AL	N		\$5143
	Q		\$5548
SZ3AR	N		\$5143
	Q		\$5548

Step 4. Fabric

For not quilted (N)

	AN	AB	AL	AR
Price Category (Geiger) COM A	+\$0	0	0	0
Price Category (Geiger) COL A	+\$828	1008	918	918
Price Category 1	+\$0	0	0	0
Price Category (Geiger) 2	+\$558	678	617	617
Price Category 2	+\$558	678	617	617
Price Category (Geiger) 3	+\$700	851	775	775
Price Category 3	+\$700	851	775	775
Price Category (Geiger) 4	+\$853	1039	946	946
Price Category 4	+\$853	1039	946	946
Price Category (Geiger) 5	+\$1245	1515	1380	1380
Price Category 5	+\$1245	1515	1380	1380
Price Category (Geiger) 6	+\$1635	1990	1813	1813
Price Category (Geiger) 7	+\$2027	2466	2246	2246
Price Category (Geiger) 8	+\$3104	3779	3442	3442
Price Category (Geiger) 9	+\$3851	4687	4269	4269
Price Category 9	+\$3851	4687	4269	4269
Price Category (Geiger) 10	+\$4431	5394	4913	4913
Price Category 11	+\$4964	6042	5503	5503
Price Category 14	+\$0	0	0	0
Price Category (Geiger) D	+\$830	1010	920	920
Price Category (Geiger) E	+\$1008	1226	1117	1117
Price Category (Geiger) F	+\$1209	1471	1341	1341
Price Category (Geiger) G	+\$1647	2005	1826	1826
Price Category (Geiger) H	+\$2050	2495	2273	2273
Price Category (Geiger) I	+\$2477	3014	2745	2745
Price Category (Geiger) K	+\$3329	4053	3691	3691
Price Category (Geiger) L	+\$3756	4572	4164	4164
Price Category (Geiger) M	+\$4182	5091	4637	4637

Tuxedo Classic Sofa *continued*

For quilted (Q)

	AN	AB	AL	AR
Price Category (Geiger) COM A	+\$0	0	0	0
Price Category (Geiger) COL A	+\$828	1008	918	918
Price Category 1	+\$0	0	0	0
Price Category (Geiger) 2	+\$558	678	617	617
Price Category 2	+\$558	678	617	617
Price Category (Geiger) 3	+\$700	851	775	775
Price Category 3	+\$700	851	775	775
Price Category (Geiger) 4	+\$853	1039	946	946
Price Category 4	+\$853	1039	946	946
Price Category (Geiger) 5	+\$1245	1515	1380	1380
Price Category 5	+\$1245	1515	1380	1380
Price Category (Geiger) 6	+\$1635	1990	1813	1813
Price Category (Geiger) 7	+\$2027	2466	2246	2246
Price Category (Geiger) 8	+\$3104	3779	3442	3442
Price Category 9	+\$3851	4687	4269	4269
Price Category (Geiger) 10	+\$4431	5394	4913	4913
Price Category 11	+\$4964	6042	5503	5503
Price Category 14	+\$0	0	0	0
Price Category (Geiger) D	+\$830	1010	920	920
Price Category (Geiger) F	+\$1209	1471	1341	1341
Price Category (Geiger) G	+\$1647	2005	1826	1826
Price Category (Geiger) H	+\$2050	2495	2273	2273
Price Category (Geiger) I	+\$2477	3014	2745	2745
Price Category (Geiger) K	+\$3329	4053	3691	3691
Price Category (Geiger) L	+\$3756	4572	4164	4164
Price Category (Geiger) M	+\$4182	5091	4637	4637

Step 5. Base Finish

Matte Finishes

662	toasted walnut, matte sheen A	+\$0
663	charred walnut, matte sheen A	+\$0
664	bronzed walnut, matte sheen A	+\$0
665	smoked walnut, matte sheen A	+\$0
666	coffee walnut, matte sheen A	+\$0
667	smoked paldao, quarter cut, matte sheen A	+\$0
669	warm paldao, quarter cut, matte sheen A	+\$0
66A	recograin frosty ash A	+\$0
677	chocolate ash, matte sheen A	+\$0
68R	recograin rosewood A	+\$0
69A	recograin frosty ash A	+\$0
69R	recograin rosewood A	+\$0
69T	recograin teak A	+\$0
6K1	rift oak A	+\$0
ET	clear on ash A	+\$0

EU	oak on ash A	+\$0
EV	walnut on ash A	+\$0
GOU	natural walnut, flat cut, matte sheen A	+\$0
6A1	white ash A	+\$0
6K6	burnt oak A	+\$0
932	sundance anigre A	+\$0
933	caramel anigre A	+\$0
934	henna anigre A	+\$0
940	sundance cherry on maple A	+\$0
962	toasted walnut, low sheen A	+\$0
963	charred walnut, low sheen A	+\$0
964	bronzed walnut, low sheen A	+\$0
965	smoked walnut, low sheen A	+\$0
966	coffee walnut, low sheen A	+\$0
967	smoked paldao, low sheen A	+\$0
969	warm paldao, low sheen A	+\$0
972	sundance walnut A	+\$0
977	chocolate ash, low sheen A	+\$0
98R	recograin rosewood A	+\$0
991	champagne ash A	+\$0
99A	recograin frosty ash A	+\$0
99R	recograin rosewood A	+\$0
99T	recograin teak A	+\$0
9A1	white ash, quarter cut, low sheen A	+\$0
9K1	rift oak, rift cut, low sheen A	+\$0
9K6	burnt oak, rift cut, low sheen A	+\$0
G2U	light brown walnut, low sheen A	+\$0
G40	dark brown walnut, low sheen A	+\$0
UX	walnut on cherry A	+\$0
943	caramel cherry A	+\$0
946	cocoa cherry A	+\$0
956	cocoa sapele A	+\$0
998	ebony ash A	+\$0
ED	aged cherry A	+\$0
EK	medium red walnut A	+\$0

RecoGrain Veneer

66G	recograin wenge A	+\$0
68W	recograin walnut, flat cut, matte sheen A	+\$0
69G	recograin wenge A	+\$0
69W	recograin walnut, quarter cut, matte sheen A	+\$0

Recon Veneer -

96G	wenge recograin, quarter cut, low sheen A	+\$0
98W	recograin walnut, flat cut, low sheen A	+\$0
99G	recograin wenge, quarter cut, low sheen A	+\$0
99W	recograin walnut, quarter cut, low sheen A	+\$0

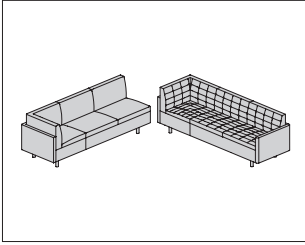
Tuxedo Classic Sofa *continued*

Step 6. Fire Retardancy

NOCAL no cal-133 required **A** +\$0

Tuxedo Classic Corner Sofa

SZ3CL
SZ3CR
SZ3ZL
SZ3ZR



Product Information

Description

This corner sofa has solid wood legs with cushions made of polyfoam and DACRON®. Cushions are quilted or not quilted. The sofa is available with the corner on the left or right side and with or without an arm on the opposite side. Fire retardant sofa meets CAL 133 requirements.

Notes

Handedness is determined from a seated position.

Customer's Own Material (COM)/Customer's Own Leather (COL) requires the following:

Type—COM—COL

SZ3CRN—14½ yards—261 square feet

SZ3CRQ—14½ yards—261 square feet

SZ3CLN—14½ yards—261 square feet

SZ3CLQ—14½ yards—261 square feet

SZ3ZRN—15¾ yards—284 square feet

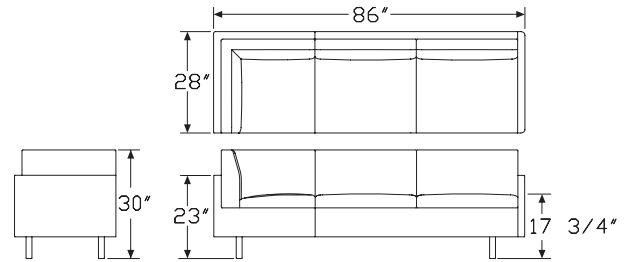
SZ3ZRQ—15¾ yards—284 square feet

SZ3ZLN—15¾ yards—284 square feet

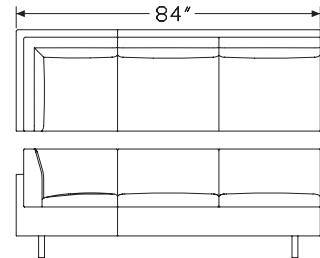
SZ3ZLQ—15¾ yards—284 square feet

See Order Information in Appendices for more information.

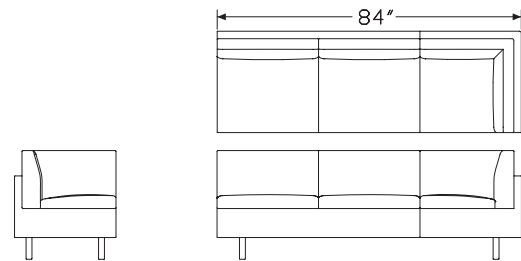
Dimensions



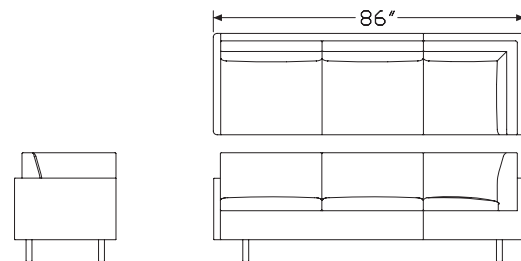
Corner Sofa with Arm - Right



Corner Sofa - Right



Corner Sofa - Left



Corner Sofa with Arm - Left

Tuxedo Classic Corner Sofa *continued*

Specification Information

Step 1.

SZ3 A

Step 2. Arms

- CL** corner left A
- CR** corner right A
- ZL** corner on left with arm on right A
- ZR** corner on right with arm on left A

Step 3. Upholstery Type

- N** not quilted A
- Q** quilted A

Prices for Steps 1-3.

SZ3CL	N	\$5594
	Q	\$6055
SZ3CR	N	\$5594
	Q	\$6055
SZ3ZL	N	\$5969
	Q	\$6435
SZ3ZR	N	\$5969
	Q	\$6435

Step 4. Fabric

For not quilted (N)

Price Category (Geiger) COM	<input type="checkbox"/> A	+\$0
Price Category (Geiger) COL	<input type="checkbox"/> A	+\$1044
Price Category 1		+\$0
Price Category (Geiger) 2		+\$703
Price Category 2		+\$703
Price Category (Geiger) 3		+\$882
Price Category 3		+\$882
Price Category (Geiger) 4		+\$1076
Price Category 4		+\$1076
Price Category (Geiger) 5		+\$1569
Price Category 5		+\$1569
Price Category (Geiger) 6		+\$2062
Price Category (Geiger) 7		+\$2555
Price Category (Geiger) 8		+\$3913
Price Category (Geiger) 9		+\$4855
Price Category 9		+\$4855
Price Category (Geiger) 10		+\$5586
Price Category 11		+\$6259
Price Category 14		+\$0
Price Category (Geiger) C		+\$784
Price Category (Geiger) D		+\$1046
Price Category (Geiger) E		+\$1270
Price Category (Geiger) F		+\$1524
Price Category (Geiger) G		+\$2077
Price Category (Geiger) H		+\$2585
Price Category (Geiger) I		+\$3122
Price Category (Geiger) K		+\$4198
Price Category (Geiger) L		+\$4735
Price Category (Geiger) M		+\$5273
Price Category (Geiger) R		+\$11052

Tuxedo Classic Corner Sofa *continued*

For quilted (Q)

Price Category (Geiger) C	+\$784
Price Category (Geiger) COM <input type="checkbox"/>	+\$0
Price Category (Geiger) COL <input type="checkbox"/>	+\$1044
Price Category 1	+\$0
Price Category (Geiger) 2	+\$703
Price Category 2	+\$703
Price Category (Geiger) 3	+\$882
Price Category 3	+\$882
Price Category (Geiger) 4	+\$1076
Price Category 4	+\$1076
Price Category (Geiger) 5	+\$1569
Price Category 5	+\$1569
Price Category (Geiger) 6	+\$2062
Price Category (Geiger) 7	+\$2555
Price Category (Geiger) 8	+\$3913
Price Category 9	+\$4855
Price Category (Geiger) 10	+\$5586
Price Category 11	+\$6259
Price Category 14	+\$0
Price Category (Geiger) D	+\$1046
Price Category (Geiger) F	+\$1524
Price Category (Geiger) G	+\$2077
Price Category (Geiger) H	+\$2585
Price Category (Geiger) I	+\$3122
Price Category (Geiger) K	+\$4198
Price Category (Geiger) L	+\$4735
Price Category (Geiger) M	+\$5273
Price Category (Geiger) R	+\$11052

Step 5. Base Finish

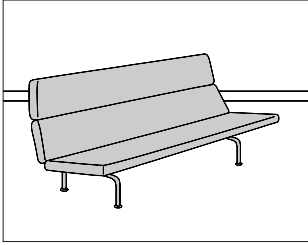
Matte Finishes

662 toasted walnut, matte sheen <input type="checkbox"/>	+\$0
663 charred walnut, matte sheen <input type="checkbox"/>	+\$0
664 bronzed walnut, matte sheen <input type="checkbox"/>	+\$0
665 smoked walnut, matte sheen <input type="checkbox"/>	+\$0
666 coffee walnut, matte sheen <input type="checkbox"/>	+\$0
667 smoked paldao, quarter cut, matte sheen <input type="checkbox"/>	+\$0
669 warm paldao, quarter cut, matte sheen <input type="checkbox"/>	+\$0
66A recograin frosty ash <input type="checkbox"/>	+\$0
677 chocolate ash, matte sheen <input type="checkbox"/>	+\$0
68R recograin rosewood <input type="checkbox"/>	+\$0
69A recograin frosty ash <input type="checkbox"/>	+\$0
69R recograin rosewood <input type="checkbox"/>	+\$0
69T recograin teak <input type="checkbox"/>	+\$0
6K1 rift oak <input type="checkbox"/>	+\$0

ET clear on ash <input type="checkbox"/>	+\$0
EU oak on ash <input type="checkbox"/>	+\$0
EV walnut on ash <input type="checkbox"/>	+\$0
GOU natural walnut, flat cut, matte sheen <input type="checkbox"/>	+\$0
6A1 white ash <input type="checkbox"/>	+\$0
6K6 burnt oak <input type="checkbox"/>	+\$0
932 sundance anigre <input type="checkbox"/>	+\$0
933 caramel anigre <input type="checkbox"/>	+\$0
934 henna anigre <input type="checkbox"/>	+\$0
940 sundance cherry on maple <input type="checkbox"/>	+\$0
962 toasted walnut, low sheen <input type="checkbox"/>	+\$0
963 charred walnut, low sheen <input type="checkbox"/>	+\$0
964 bronzed walnut, low sheen <input type="checkbox"/>	+\$0
965 smoked walnut, low sheen <input type="checkbox"/>	+\$0
966 coffee walnut, low sheen <input type="checkbox"/>	+\$0
967 smoked paldao, low sheen <input type="checkbox"/>	+\$0
969 warm paldao, low sheen <input type="checkbox"/>	+\$0
972 sundance walnut <input type="checkbox"/>	+\$0
977 chocolate ash, low sheen <input type="checkbox"/>	+\$0
98R recograin rosewood <input type="checkbox"/>	+\$0
991 champagne ash <input type="checkbox"/>	+\$0
99A recograin frosty ash <input type="checkbox"/>	+\$0
99R recograin rosewood <input type="checkbox"/>	+\$0
99T recograin teak <input type="checkbox"/>	+\$0
9A1 white ash, quarter cut, low sheen <input type="checkbox"/>	+\$0
9K1 rift oak, rift cut, low sheen <input type="checkbox"/>	+\$0
9K6 burnt oak, rift cut, low sheen <input type="checkbox"/>	+\$0
G2U light brown walnut, low sheen <input type="checkbox"/>	+\$0
G40 dark brown walnut, low sheen <input type="checkbox"/>	+\$0
UX walnut on cherry <input type="checkbox"/>	+\$0
943 caramel cherry <input type="checkbox"/>	+\$0
946 cocoa cherry <input type="checkbox"/>	+\$0
956 cocoa sapele <input type="checkbox"/>	+\$0
998 ebony ash <input type="checkbox"/>	+\$0
ED aged cherry <input type="checkbox"/>	+\$0
EK medium red walnut <input type="checkbox"/>	+\$0
66G recograin wenge <input type="checkbox"/>	+\$0
68W recograin walnut, flat cut, matte sheen <input type="checkbox"/>	+\$0
69G recograin wenge <input type="checkbox"/>	+\$0
69W recograin walnut, quarter cut, matte sheen <input type="checkbox"/>	+\$0
96G wenge recograin, quarter cut, low sheen <input type="checkbox"/>	+\$0
98W recograin walnut, flat cut, low sheen <input type="checkbox"/>	+\$0
99G recograin wenge, quarter cut, low sheen <input type="checkbox"/>	+\$0
99W recograin walnut, quarter cut, low sheen <input type="checkbox"/>	+\$0

Step 6. Fire Retardancy

NOCAL no cal-133 required <input type="checkbox"/>	+\$0
---	------



Product Information

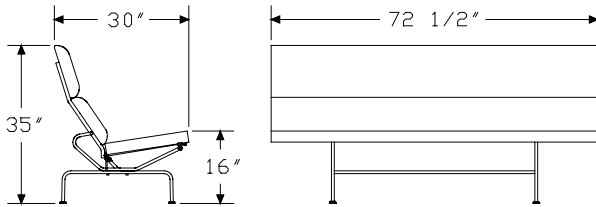
Description

This sofa has 2½"-thick upholstered foam cushions supported by a black enameled frame. It has polished chrome-plated legs and stainless steel glides. All fabrics are railroaded.

Notes

Customer's Own Material (COM) requires 6 yards. See Order Information in Appendices.

Dimensions



HermanMiller Collection—Sofas

Specification Information

Step 1.

473 [A] \$5855

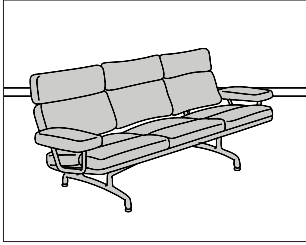
Step 2. Fabric

See application chart and textiles list for fabric usage and numbers. First 2 digits of number indicate fabric line; remaining digit(s) indicate fabric color.

Price Category 1	+\$0
Price Category 2	+\$100
Price Category 3	+\$139
Price Category (Geiger) 3	+\$139
Price Category 4	+\$260
Price Category (Geiger) 4	+\$260
Price Category 5	+\$424
Price Category (Geiger) 5	+\$539
Price Category 6	+\$608
Price Category (Geiger) 6	+\$730
Price Category 7	+\$773
Price Category (Geiger) 7	+\$997
Price Category 8	+\$1620
Price Category 10	+\$1941
Price Category (Geiger) 10	+\$1941
Price Category 14	+\$2540
Price Category B	+\$168
Price Category C	+\$251
Price Category D	+\$334
Price Category E	+\$418
Price Category F	+\$547
Price Category G	+\$710
Price Category H	+\$864
Price Category I	+\$1015
Price Category J	+\$1167
Price Category K	+\$1318
Price Category L	+\$1470
Price Category M	+\$1621
Price Category N	+\$1773
Price Category O	+\$1924
Price Category P	+\$2076
Price Category Q	+\$2235
Price Category R	+\$3631
Price Category S	+\$2568
Price Category X	+\$4940
Price Category Y	+\$5202

Eames® Sofa

ES108
ES110



Product Information

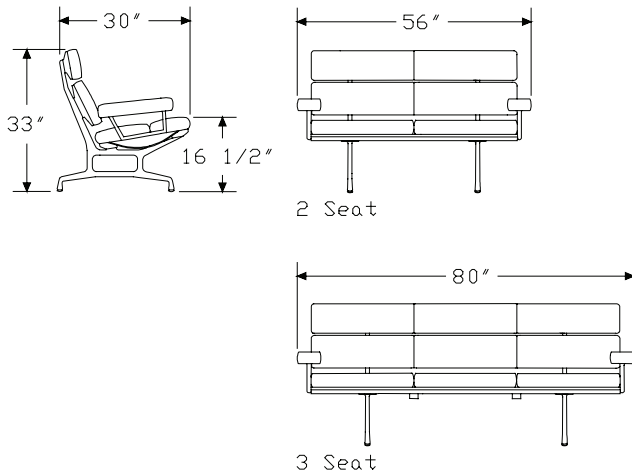
Description

This sofa has 2"-thick upholstered foam cushions and a polished chrome-plated frame with nylon glides. The back panels are hand-finished solid walnut or solid teak.

Notes

Customer's Own Material (COM) requires 4½ yards for 2-seat sofa and 6½ yards for 3-seat sofa. Customer's Own Leather (COL) requires 100 square feet for 2-seat sofa and 125 square feet for 3-seat sofa. See Order Information in Appendices.

Dimensions



Specification Information

Step 1.

ES1 A

Step 2. Number of Seats

08 3 seats A

10 2 seats A

Prices for Steps 1-2.

ES108	\$12170
ES110	\$11095

Step 3. Back Finish

		08	10
5Q	oiled walnut <input type="checkbox"/> A	+\$0	0
OT	teak <input type="checkbox"/> A	+\$775	725

Step 4. Base Finish

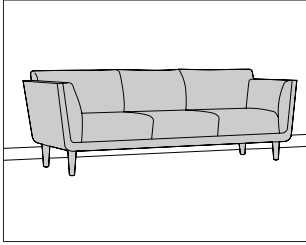
CD	polished aluminum <input type="checkbox"/> A	+\$0
-----------	--	------

Step 5. Fabric

See application chart and textiles list for fabric usage and numbers.
 First 2 digits of number indicate fabric line; remaining digit(s) indicate fabric color.

HermanMiller Collection—Sofas

	08	10
Price Category 1 A	+\$0	0
Price Category 3	+\$211	187
Price Category (Geiger) 4	+\$343	281
Price Category 5	+\$574	507
Price Category 7	+\$627	532
Price Category (Geiger) 7	+\$627	532
Price Category 8	+\$1014	810
Price Category 9	+\$1660	1310
Price Category (Geiger) 10	+\$1360	1480
Price Category 10M	+\$2931	2345
Price Category 11	+\$2323	1781
Price Category (Geiger) 11	+\$2323	1781
Price Category C	+\$302	292
Price Category D	+\$382	382
Price Category E	+\$462	462
Price Category F	+\$597	597
Price Category G	+\$776	706
Price Category H	+\$943	943
Price Category I	+\$1108	1108
Price Category J	+\$1274	1274
Price Category K	+\$1439	1439
Price Category L	+\$1604	1604
Price Category M	+\$1770	1770
Price Category N	+\$1935	1935
Price Category O	+\$2100	2100
Price Category P	+\$2266	2266
Price Category Q	+\$2439	2439
Price Category R	+\$3790	2602
Price Category S	+\$2803	2803
Price Category V	+\$6084	4056



Product Information

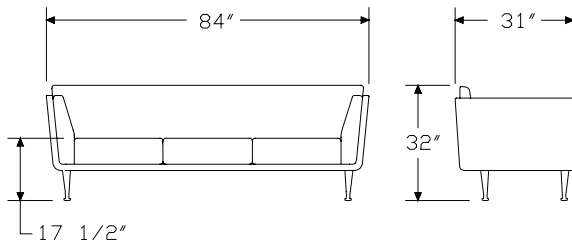
Description

This sofa has a molded veneer frame that wraps around the sides and back. It has 7"-thick upholstered foam cushions and 4 polished cast-aluminum legs with nonadjustable nylon glides.

Notes

Santos palisander veneer is celebrated for its unique grain and color variations. Similar products ordered in multiples or dissimilar products ordered separately should be expected to have variation in both grain and color characteristics; no two products will look exactly alike. Customer's Own Material (COM) requires 10 yards (8 yards for Seat/Back, 2 yards for Accent). Customer's Own Leather (COL) requires 156 square feet. See Order Information in Appendices.

Dimensions



Specification Information

Step 1.

GS100. [A] \$6661

Step 2. Frame Finish

OU	walnut [A]	+\$0
EN	ebony [A]	+\$50
A2	white ash [A]	+\$225
9N	santos palisander [A]	+\$3305

Step 3. Seat/Back Fabric

See application chart and textiles list for fabric usage and numbers. First 2 digits of number indicate fabric line; remaining digit(s) indicate fabric color.

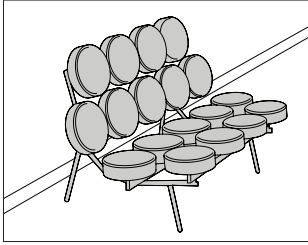
Price Category 1	+\$0
Price Category 2	+\$195
Price Category 3	+\$223
Price Category (Geiger) 3	+\$223
Price Category 4	+\$313
Price Category (Geiger) 4	+\$313
Price Category 5	+\$342
Price Category (Geiger) 5	+\$342
Price Category 6	+\$474
Price Category (Geiger) 6	+\$474
Price Category 7	+\$539
Price Category (Geiger) 7	+\$539
Price Category 8	+\$1018
Price Category (Geiger) 8	+\$1018
Price Category 9	+\$1425
Price Category (Geiger) 9	+\$1425
Price Category 10	+\$1781
Price Category 10M	+\$2894
Price Category (Geiger) 10	+\$1781
Price Category 11	+\$2138
Price Category (Geiger) 11	+\$2138
Price Category 14	+\$2545
Price Category B	+\$140
Price Category C	+\$209
Price Category D	+\$278
Price Category E	+\$348
Price Category F	+\$488
Price Category G	+\$626
Price Category H	+\$834
Price Category I	+\$1043
Price Category J	+\$1251
Price Category K	+\$1459
Price Category L	+\$1645

Price Category M	+\$2065
Price Category N	+\$3700
Price Category O	+\$3800
Price Category P	+\$4375
Price Category Q	+\$4950
Price Category R	+\$2340
Price Category S	+\$5720
Price Category V	+\$3651
Price Category X	+\$7259
Price Category Y	+\$7644

Price Category L	+\$1645
Price Category M	+\$2065
Price Category N	+\$3700
Price Category O	+\$3800
Price Category P	+\$4375
Price Category Q	+\$4950
Price Category R	+\$2340
Price Category S	+\$5720
Price Category V	+\$3651
Price Category X	+\$7259
Price Category Y	+\$7644

Step 4. Accent Fabric
 See application chart and textiles list for fabric usage and numbers.
 First 2 digits of number indicate fabric line; remaining digit(s) indicate fabric color.

Price Category 1	+\$0
Price Category 2	+\$195
Price Category 3	+\$223
Price Category (Geiger) 3	+\$223
Price Category 4	+\$313
Price Category (Geiger) 4	+\$313
Price Category 5	+\$342
Price Category (Geiger) 5	+\$342
Price Category 6	+\$474
Price Category (Geiger) 6	+\$474
Price Category 7	+\$539
Price Category (Geiger) 7	+\$539
Price Category 8	+\$0
Price Category (Geiger) 8	+\$1017
Price Category 9	+\$1425
Price Category (Geiger) 9	+\$1425
Price Category 10	+\$1781
Price Category 10M	+\$1387
Price Category (Geiger) 10	+\$1781
Price Category 11	+\$2138
Price Category (Geiger) 11	+\$2138
Price Category 14	+\$2545
Price Category B	+\$140
Price Category C	+\$209
Price Category D	+\$278
Price Category E	+\$348
Price Category F	+\$488
Price Category G	+\$626
Price Category H	+\$834
Price Category I	+\$1043
Price Category J	+\$1251
Price Category K	+\$1459



Product Information

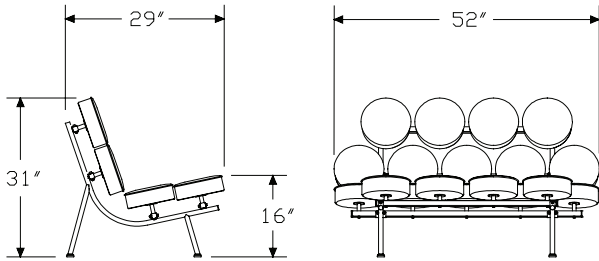
Description

This upholstered sofa has 18 circular cushions on the back and seat, a brushed-finish tubular-steel frame, and black-satin-finish legs.

Notes

Customer's Own Material (COM) requires 3¾ yards. Customer's Own Leather (COL) requires 62 square feet. See Order Information in Appendices.

Dimensions



Specification Information

Step 1.

5670 [A] \$5818

Step 2. Fabric

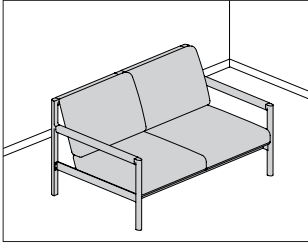
See application chart and textiles list for fabric usage and numbers.

First 2 digits of number indicate fabric line; remaining digit(s) indicate fabric color.

Price Category 1 [A]	+\$0
Price Category 2	+\$0
Price Category 7 [A]	+\$1030
Price Category 9	+\$1442
Price Category 11	+\$1587
Price Category (Geiger) 11	+\$1587

Brabo Settee

SVV5A
SVV5W



Product Information

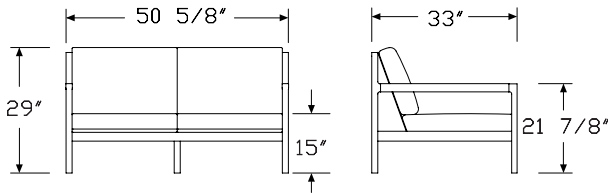
Description

This settee has a solid ash or solid walnut frame with steel-plated metal, leather sling and arm wrap, and upholstered foam cushions.

Notes

Customers Own Material (COM) requires 4 yards for the back and seat cushions. Customers Own Leather (COL) requires 72 square feet for the back and seat cushions, and an additional 54 square feet for the sling and arm wrap. See Order Information in Appendices.

Dimensions



HermanMiller Collection—Sofas

Specification Information

Step 1.

SVV5

Step 2. Frame Finish

A ash

W walnut

Prices for Steps 1-2.

SVV5A \$4910

SVV5W \$5123

Step 3. Wood Finish

Anigre Veneer - Low Sheen

For ash (A)

967 smoked paldao, low sheen +\$0

969 warm paldao, low sheen +\$0

Premium Veneer - Low Sheen

For ash (A)

940 sundance cherry on maple +\$0

943 caramel cherry +\$0

946 cocoa cherry +\$0

956 cocoa sapele +\$0

962 toasted walnut, low sheen +\$0

963 charred walnut, low sheen +\$0

964 bronzed walnut, low sheen +\$0

965 smoked walnut, low sheen +\$0

966 coffee walnut, low sheen +\$0

977 chocolate ash, low sheen +\$0

98R recograin rosewood +\$0

991 champagne ash +\$0

998 ebony ash +\$0

99A recograin frosty ash +\$0

99R recograin rosewood +\$0

99T recograin teak +\$0

9A1 white ash, quarter cut, low sheen +\$0

9K1 rift oak, rift cut, low sheen +\$0

9K6 burnt oak, rift cut, low sheen +\$0

ED aged cherry +\$0

EK medium red walnut +\$0

G2U light brown walnut, low sheen +\$0

G40 dark brown walnut, low sheen +\$0

UX walnut on cherry +\$0

Premium Veneer - Matte		
<i>For ash (A)</i>		
66A	recograin frosty ash <input type="checkbox"/>	+\$0
677	chocolate ash, matte sheen <input type="checkbox"/>	+\$0
68R	recograin rosewood <input type="checkbox"/>	+\$0
69A	recograin frosty ash <input type="checkbox"/>	+\$0
69R	recograin rosewood <input type="checkbox"/>	+\$0
69T	recograin teak <input type="checkbox"/>	+\$0
6A1	white ash <input type="checkbox"/>	+\$0
6K1	rift oak <input type="checkbox"/>	+\$0
6K6	burnt oak <input type="checkbox"/>	+\$0
ET	clear on ash <input type="checkbox"/>	+\$0
EU	oak on ash <input type="checkbox"/>	+\$0
EV	walnut on ash <input type="checkbox"/>	+\$0
GOU	natural walnut, flat cut, matte sheen <input type="checkbox"/>	+\$0

RecoGrain Veneer		
<i>For ash (A)</i>		
66G	recograin wenge <input type="checkbox"/>	+\$0
68W	recograin walnut, flat cut, matte sheen <input type="checkbox"/>	+\$0
69G	recograin wenge <input type="checkbox"/>	+\$0
69W	recograin walnut, quarter cut, matte sheen <input type="checkbox"/>	+\$0

Recon Veneer -		
<i>For ash (A)</i>		
98W	recograin walnut, flat cut, low sheen <input type="checkbox"/>	+\$0
99G	recograin wenge, quarter cut, low sheen <input type="checkbox"/>	+\$0
99W	recograin walnut, quarter cut, low sheen <input type="checkbox"/>	+\$0

Premium Veneer - Low Sheen		
<i>For walnut (W)</i>		
962	toasted walnut, low sheen <input type="checkbox"/>	+\$0
963	charred walnut, low sheen <input type="checkbox"/>	+\$0
964	bronzed walnut, low sheen <input type="checkbox"/>	+\$0
965	smoked walnut, low sheen <input type="checkbox"/>	+\$0
966	coffee walnut, low sheen <input type="checkbox"/>	+\$0
972	sundance walnut <input type="checkbox"/>	+\$0
98R	recograin rosewood <input type="checkbox"/>	+\$0
99R	recograin rosewood <input type="checkbox"/>	+\$0
EK	medium red walnut <input type="checkbox"/>	+\$0
G2U	light brown walnut, low sheen <input type="checkbox"/>	+\$0
G40	dark brown walnut, low sheen <input type="checkbox"/>	+\$0

Premium Veneer - Matte		
<i>For walnut (W)</i>		
662	toasted walnut, matte sheen <input type="checkbox"/>	+\$0
663	charred walnut, matte sheen <input type="checkbox"/>	+\$0
664	bronzed walnut, matte sheen <input type="checkbox"/>	+\$0
665	smoked walnut, matte sheen <input type="checkbox"/>	+\$0
666	coffee walnut, matte sheen <input type="checkbox"/>	+\$0
667	smoked paldao, quarter cut, matte sheen <input type="checkbox"/>	+\$0
669	warm paldao, quarter cut, matte sheen <input type="checkbox"/>	+\$0
68R	recograin rosewood <input type="checkbox"/>	+\$0
69R	recograin rosewood <input type="checkbox"/>	+\$0
GOU	natural walnut, flat cut, matte sheen <input type="checkbox"/>	+\$0

Recon Veneer -		
<i>For walnut (W)</i>		
96G	wenge recograin, quarter cut, low sheen <input type="checkbox"/>	+\$0
99G	recograin wenge, quarter cut, low sheen <input type="checkbox"/>	+\$0

Anigre Veneer - Low Sheen		
<i>For walnut (W)</i>		
967	smoked paldao, low sheen <input type="checkbox"/>	+\$0
969	warm paldao, low sheen <input type="checkbox"/>	+\$0

RecoGrain Veneer		
<i>For walnut (W)</i>		
66G	recograin wenge <input type="checkbox"/>	+\$0
69G	recograin wenge <input type="checkbox"/>	+\$0

Step 4. Seat/Back Fabric	
Price Category (Geiger) 2	+\$0
Price Category (Geiger) COM <input type="checkbox"/>	+\$0
Price Category (Geiger) COL <input type="checkbox"/>	+\$216
Price Category 1	+\$0
Price Category 2	+\$194
Price Category (Geiger) 3	+\$244
Price Category 3	+\$244
Price Category (Geiger) 4	+\$297
Price Category 4	+\$297
Price Category (Geiger) 5	+\$433
Price Category 5	+\$0
Price Category (Geiger) 6	+\$569
Price Category (Geiger) 7	+\$705
Price Category (Geiger) 8	+\$1080
Price Category 9	+\$1339
Price Category (Geiger) 10	+\$1541
Price Category (Geiger) 11	+\$1727
Price Category 11	+\$1727

Brabo Settee *continued*

Price Category (Geiger) 14	+\$0
Price Category (Geiger) C	+\$219
Price Category (Geiger) D	+\$289
Price Category (Geiger) E	+\$573
Price Category (Geiger) F	+\$421
Price Category (Geiger) G	+\$573
Price Category (Geiger) H	+\$713
Price Category (Geiger) I	+\$862
Price Category (Geiger) J	+\$1010
Price Category (Geiger) K	+\$1158
Price Category (Geiger) L	+\$1307
Price Category (Geiger) M	+\$1455
Price Category (Geiger) N	+\$1603
Price Category (Geiger) O	+\$1751
Price Category (Geiger) P	+\$1896
Price Category (Geiger) Q	+\$2188
Price Category (Geiger) R	+\$3049
Price Category (Geiger) S	+\$3276
Price Category (Geiger) T	+\$3502
Price Category (Geiger) U	+\$3729
Price Category (Geiger) X	+\$4409
Price Category (Geiger) Y	+\$4635

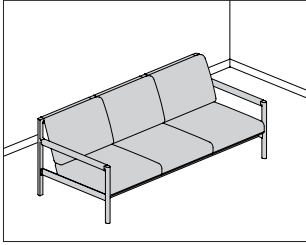
Step 5. Sling/Arm Leather	
Price Category (Geiger) 11	+\$1295
Price Category 11	+\$1295

Step 6. Base Finish	
CHR chrome <input type="checkbox"/> A	+\$0
SAC satin chrome <input type="checkbox"/> A	+\$0

Step 7. Fire Retardancy	
NOCAL no cal-133 required <input type="checkbox"/> A	+\$0

Brabo Sofa

SVV6A
SVV6W



Product Information

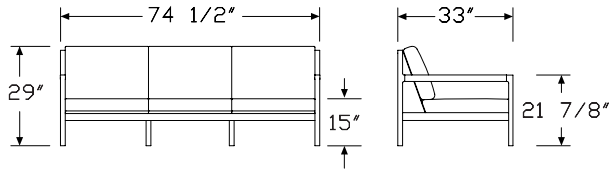
Description

This sofa has a solid ash or solid walnut frame with steel-plated metal, leather sling and arm wrap, and upholstered foam cushions.

Notes

Customers Own Material (COM) requires 6 yards for the back and seat cushions. Customers Own Leather (COL) requires 108 square feet for the back and seat cushions, and an additional 81 square feet for the sling and arm wrap. See Order Information in Appendices.

Dimensions



Specification Information

Step 1.

SVV6 A

Step 2. Frame Finish

A ash A

W walnut A

Prices for Steps 1-2.

SVV6A \$6572
SVV6W \$6851

Step 3. Wood Finish

Anigre Veneer - Low Sheen

For ash (A)

967 smoked paldao, low sheen A +\$0
969 warm paldao, low sheen A +\$0

Premium Veneer - Low Sheen

For ash (A)

940 sundance cherry on maple A +\$0
943 caramel cherry A +\$0
946 cocoa cherry A +\$0
956 cocoa sapele A +\$0
962 toasted walnut, low sheen A +\$0
963 charred walnut, low sheen A +\$0
964 bronzed walnut, low sheen A +\$0
965 smoked walnut, low sheen A +\$0
966 coffee walnut, low sheen A +\$0
977 chocolate ash, low sheen A +\$0
98R recograin rosewood A +\$0
991 champagne ash A +\$0
998 ebony ash A +\$0
99A recograin frosty ash A +\$0
99R recograin rosewood A +\$0
99T recograin teak A +\$0
9A1 white ash, quarter cut, low sheen A +\$0
9K1 rift oak, rift cut, low sheen A +\$0
9K6 burnt oak, rift cut, low sheen A +\$0
ED aged cherry A +\$0
EK medium red walnut A +\$0
G2U light brown walnut, low sheen A +\$0
G40 dark brown walnut, low sheen A +\$0
UX walnut on cherry A +\$0

Premium Veneer - Matte		
<i>For ash (A)</i>		
66A	recograin frosty ash A	+\$0
677	chocolate ash, matte sheen A	+\$0
68R	recograin rosewood A	+\$0
69A	recograin frosty ash A	+\$0
69R	recograin rosewood A	+\$0
69T	recograin teak A	+\$0
6A1	white ash A	+\$0
6K1	rift oak A	+\$0
6K6	burnt oak A	+\$0
ET	clear on ash A	+\$0
EU	oak on ash A	+\$0
EV	walnut on ash A	+\$0
GOU	natural walnut, flat cut, matte sheen A	+\$0

RecoGrain Veneer		
<i>For ash (A)</i>		
66G	recograin wenge A	+\$0
68W	recograin walnut, flat cut, matte sheen A	+\$0
69G	recograin wenge A	+\$0
69W	recograin walnut, quarter cut, matte sheen A	+\$0

Recon Veneer -		
<i>For ash (A)</i>		
98W	recograin walnut, flat cut, low sheen A	+\$0
99G	recograin wenge, quarter cut, low sheen A	+\$0
99W	recograin walnut, quarter cut, low sheen A	+\$0

Anigre Veneer - Low Sheen		
<i>For walnut (W)</i>		
967	smoked paldao, low sheen A	+\$0
969	warm paldao, low sheen A	+\$0

Premium Veneer - Low Sheen		
<i>For walnut (W)</i>		
962	toasted walnut, low sheen A	+\$0
963	charred walnut, low sheen A	+\$0
964	bronzed walnut, low sheen A	+\$0
965	smoked walnut, low sheen A	+\$0
966	coffee walnut, low sheen A	+\$0
972	sundance walnut A	+\$0
98R	recograin rosewood A	+\$0
99R	recograin rosewood A	+\$0
EK	medium red walnut A	+\$0

Premium Veneer - Matte		
<i>For walnut (W)</i>		
662	toasted walnut, matte sheen A	+\$0
663	charred walnut, matte sheen A	+\$0
664	bronzed walnut, matte sheen A	+\$0
665	smoked walnut, matte sheen A	+\$0
666	coffee walnut, matte sheen A	+\$0
667	smoked paldao, quarter cut, matte sheen A	+\$0
669	warm paldao, quarter cut, matte sheen A	+\$0
68R	recograin rosewood A	+\$0
69R	recograin rosewood A	+\$0

RecoGrain Veneer		
<i>For walnut (W)</i>		
66G	recograin wenge A	+\$0
69G	recograin wenge A	+\$0

Recon Veneer -		
<i>For walnut (W)</i>		
96G	wenge recograin, quarter cut, low sheen A	+\$0
99G	recograin wenge, quarter cut, low sheen A	+\$0

Matte Wood Finishes		
<i>For walnut (W)</i>		
GOU	natural walnut, flat cut, matte sheen A	+\$0

Step 4. Seat/Back Fabric	
Price Category (Geiger) 2	+\$0
Price Category (Geiger) COL A	+\$324
Price Category (Geiger) COM A	+\$0
Price Category 1	+\$0
Price Category 2	+\$291
Price Category 3	+\$365
Price Category (Geiger) 3	+\$365
Price Category 4	+\$445
Price Category (Geiger) 4	+\$445
Price Category 5	+\$433
Price Category (Geiger) 5	+\$649
Price Category (Geiger) 6	+\$853
Price Category (Geiger) 7	+\$1057
Price Category (Geiger) 8	+\$1620
Price Category 9	+\$2009
Price Category (Geiger) 10	+\$2312
Price Category 11	+\$2590
Price Category (Geiger) 11	+\$2590
Price Category (Geiger) 14	+\$0
Price Category (Geiger) C	+\$328

Brabo Sofa *continued*

Price Category (Geiger) D	+\$433
Price Category (Geiger) E	+\$526
Price Category (Geiger) F	+\$631
Price Category (Geiger) G	+\$860
Price Category (Geiger) H	+\$1070
Price Category (Geiger) I	+\$1292
Price Category (Geiger) J	+\$1515
Price Category (Geiger) K	+\$1737
Price Category (Geiger) L	+\$1960
Price Category (Geiger) M	+\$2182
Price Category (Geiger) N	+\$2405
Price Category (Geiger) O	+\$2627
Price Category (Geiger) P	+\$2843
Price Category (Geiger) Q	+\$3282
Price Category (Geiger) R	+\$4574
Price Category (Geiger) S	+\$4914
Price Category (Geiger) T	+\$5253
Price Category (Geiger) U	+\$5593
Price Category (Geiger) X	+\$6613
Price Category (Geiger) Y	+\$6953

Step 5. Sling/Arm Leather

Price Category (Geiger) 11	+\$1943
Price Category 11	+\$1943

Step 6. Base Finish

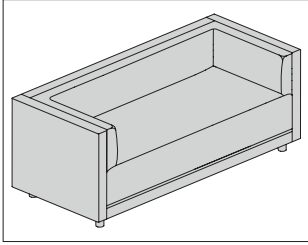
CHR chrome <input type="checkbox"/>	+\$0
SAC satin chrome <input type="checkbox"/>	+\$0

Step 7. Fire Retardancy

NOCAL no cal-133 required <input type="checkbox"/>	+\$0
---	------

Rolled Arm Sofa

SBRA-



Product Information

Description

This sofa is made of plywood with Dacron® on the seat and back. The arms consist of Dacron and polyfoam. The legs are solid ash or walnut.

Notes

Customer's Own Material (COM) and Customer's Own Leather (COL) require the following. See Order Information in Appendices for additional information.

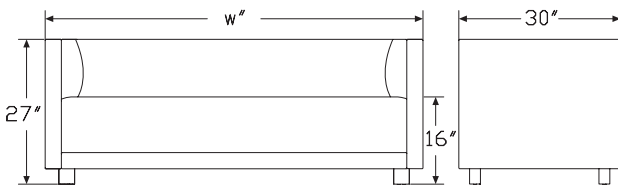
Width—COM—COL

72"—9 yards—162 square feet

84"—11 yards—198 square feet

96"—12½ yards—225 square feet

Dimensions



HermanMiller Collection—Sofas

Specification Information

Step 1.

SBRA

Step 2. Size

-72 72" wide

-84 84" wide

-96 96" wide

Prices for Steps 1-2.

SBRA-72	\$4743
SBRA-84	\$4966
SBRA-96	\$5361

Step 3. Wood Finish

Premium Veneer - Low Sheen

932	sundance anigre <input type="checkbox"/>	+\$0
933	caramel anigre <input type="checkbox"/>	+\$0
934	henna anigre <input type="checkbox"/>	+\$0
940	sundance cherry on maple <input type="checkbox"/>	+\$0
943	caramel cherry <input type="checkbox"/>	+\$0
946	cocoa cherry <input type="checkbox"/>	+\$0
956	cocoa sapele <input type="checkbox"/>	+\$0
962	toasted walnut, low sheen <input type="checkbox"/>	+\$0
963	charred walnut, low sheen <input type="checkbox"/>	+\$0
964	bronzed walnut, low sheen <input type="checkbox"/>	+\$0
965	smoked walnut, low sheen <input type="checkbox"/>	+\$0
966	coffee walnut, low sheen <input type="checkbox"/>	+\$0
967	smoked paldao, low sheen <input type="checkbox"/>	+\$0
969	warm paldao, low sheen <input type="checkbox"/>	+\$0
972	sundance walnut <input type="checkbox"/>	+\$0
977	chocolate ash, low sheen <input type="checkbox"/>	+\$0
98R	recograin rosewood <input type="checkbox"/>	+\$0
991	champagne ash <input type="checkbox"/>	+\$0
998	ebony ash <input type="checkbox"/>	+\$0
99A	recograin frosty ash <input type="checkbox"/>	+\$0
99R	recograin rosewood <input type="checkbox"/>	+\$0
99T	recograin teak <input type="checkbox"/>	+\$0
9A1	white ash, quarter cut, low sheen <input type="checkbox"/>	+\$0
9K1	rift oak, rift cut, low sheen <input type="checkbox"/>	+\$0
9K6	burnt oak, rift cut, low sheen <input type="checkbox"/>	+\$0
ED	aged cherry <input type="checkbox"/>	+\$0
EK	medium red walnut <input type="checkbox"/>	+\$0
G2U	light brown walnut, low sheen <input type="checkbox"/>	+\$0
G40	dark brown walnut, low sheen <input type="checkbox"/>	+\$0
UX	walnut on cherry <input type="checkbox"/>	+\$0

Rolled Arm Sofa *continued*

Premium Veneer - Matte

662	toasted walnut, matte sheen <input type="checkbox"/>	+\$0
663	charred walnut, matte sheen <input type="checkbox"/>	+\$0
664	bronzed walnut, matte sheen <input type="checkbox"/>	+\$0
665	smoked walnut, matte sheen <input type="checkbox"/>	+\$0
666	coffee walnut, matte sheen <input type="checkbox"/>	+\$0
667	smoked paldao, quarter cut, matte sheen <input type="checkbox"/>	+\$0
669	warm paldao, quarter cut, matte sheen <input type="checkbox"/>	+\$0
66A	recograin frosty ash <input type="checkbox"/>	+\$0
677	chocolate ash, matte sheen <input type="checkbox"/>	+\$0
68R	recograin rosewood <input type="checkbox"/>	+\$0
69A	recograin frosty ash <input type="checkbox"/>	+\$0
69R	recograin rosewood <input type="checkbox"/>	+\$0
69T	recograin teak <input type="checkbox"/>	+\$0
6A1	white ash <input type="checkbox"/>	+\$0
6K1	rift oak <input type="checkbox"/>	+\$0
6K6	burnt oak <input type="checkbox"/>	+\$0
ET	clear on ash <input type="checkbox"/>	+\$0
EU	oak on ash <input type="checkbox"/>	+\$0
EV	walnut on ash <input type="checkbox"/>	+\$0
GOU	natural walnut, flat cut, matte sheen <input type="checkbox"/>	+\$0

RecoGrain Veneer

66G	recograin wenge <input type="checkbox"/>	+\$0
68W	recograin walnut, flat cut, matte sheen <input type="checkbox"/>	+\$0
69G	recograin wenge <input type="checkbox"/>	+\$0
69W	recograin walnut, quarter cut, matte sheen <input type="checkbox"/>	+\$0

Recon Veneer -

96G	wenge recograin, quarter cut, low sheen <input type="checkbox"/>	+\$0
98W	recograin walnut, flat cut, low sheen <input type="checkbox"/>	+\$0
99G	recograin wenge, quarter cut, low sheen <input type="checkbox"/>	+\$0
99W	recograin walnut, quarter cut, low sheen <input type="checkbox"/>	+\$0

Step 4. Upholstery

For 72" wide (-72)

Price Category 1	+\$0
Price Category (Geiger) 2	+\$0
Price Category 2	+\$436
Price Category (Geiger) 3	+\$547
Price Category 3	+\$547
Price Category (Geiger) 4	+\$668
Price Category 4	+\$779
Price Category (Geiger) 5	+\$974
Price Category 5	+\$974
Price Category (Geiger) 6	+\$1280
Price Category (Geiger) 7	+\$1586
Price Category (Geiger) 8	+\$2429
Price Category 9	+\$3013
Price Category (Geiger) 10	+\$3467
Price Category (Geiger) 11	+\$3885
Price Category (Geiger) 14	+\$5090
Price Category (Geiger) C	+\$0
Price Category (Geiger) D	+\$812
Price Category (Geiger) E	+\$920
Price Category (Geiger) F	+\$1028
Price Category (Geiger) G	+\$1137
Price Category (Geiger) H	+\$1245
Price Category (Geiger) I	+\$1938
Price Category (Geiger) J	+\$1406
Price Category (Geiger) K	+\$1569
Price Category (Geiger) L	+\$1731
Price Category (Geiger) N	+\$2163
Price Category (Geiger) P	+\$2380
Price Category (Geiger) Q	+\$4610
Price Category (Geiger) U	+\$8390
Price Category (Geiger) X	+\$9919
Price Category (Geiger) COL <input type="checkbox"/>	+\$648
Price Category (Geiger) COM <input type="checkbox"/>	+\$0

Rolled Arm Sofa *continued*

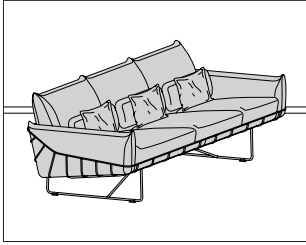
<i>For 84" wide (-84)</i>	
Price Category 1	+\$0
Price Category (Geiger) 2	+\$0
Price Category 2	+\$533
Price Category (Geiger) 3	+\$669
Price Category 3	+\$669
Price Category (Geiger) 4	+\$816
Price Category 4	+\$853
Price Category (Geiger) 5	+\$1190
Price Category 5	+\$1190
Price Category (Geiger) 6	+\$1564
Price Category (Geiger) 7	+\$1938
Price Category (Geiger) 8	+\$2969
Price Category 9	+\$3683
Price Category (Geiger) 10	+\$4238
Price Category 10	+\$0
Price Category (Geiger) 11	+\$4748
Price Category (Geiger) 14	+\$6221
Price Category (Geiger) C	+\$0
Price Category (Geiger) D	+\$889
Price Category (Geiger) E	+\$1008
Price Category (Geiger) F	+\$1126
Price Category (Geiger) G	+\$1245
Price Category (Geiger) H	+\$1363
Price Category (Geiger) I	+\$2368
Price Category (Geiger) J	+\$1540
Price Category (Geiger) K	+\$1719
Price Category (Geiger) L	+\$1896
Price Category (Geiger) N	+\$2369
Price Category (Geiger) P	+\$2606
Price Category (Geiger) Q	+\$5047
Price Category (Geiger) U	+\$10254
Price Category (Geiger) X	+\$12124
Price Category (Geiger) COL A	+\$792
Price Category (Geiger) COM A	+\$0

<i>For 96" wide (-96)</i>	
Price Category 1	+\$0
Price Category (Geiger) 2	+\$0
Price Category 2	+\$606
Price Category (Geiger) 3	+\$761
Price Category 3	+\$761
Price Category (Geiger) 4	+\$927
Price Category 4	+\$927
Price Category (Geiger) 5	+\$1353
Price Category 5	+\$1353
Price Category (Geiger) 6	+\$1777
Price Category (Geiger) 7	+\$2203
Price Category (Geiger) 8	+\$3374
Price Category 9	+\$4185
Price Category (Geiger) 10	+\$4816
Price Category (Geiger) 11	+\$5396
Price Category (Geiger) 14	+\$7069
Price Category (Geiger) C	+\$0
Price Category (Geiger) D	+\$967
Price Category (Geiger) E	+\$1095
Price Category (Geiger) F	+\$1224
Price Category (Geiger) G	+\$1353
Price Category (Geiger) H	+\$1482
Price Category (Geiger) I	+\$2692
Price Category (Geiger) J	+\$1674
Price Category (Geiger) K	+\$1868
Price Category (Geiger) L	+\$2060
Price Category (Geiger) N	+\$2575
Price Category (Geiger) P	+\$2833
Price Category (Geiger) Q	+\$5485
Price Category (Geiger) U	+\$11653
Price Category (Geiger) X	+\$13777
Price Category (Geiger) COL A	+\$900
Price Category (Geiger) COM A	+\$0

Step 5. Fire Retardancy	
NOCAL no cal-133 required A	+\$0

Wireframe™ Sofa

BK110



Product Information

Description

This sofa has contoured cushions on a separate wire frame structure, featuring SuperSeat™ technology. It is available in 2-seat or 3-seat configuration. Lumbar and throw pillows included.

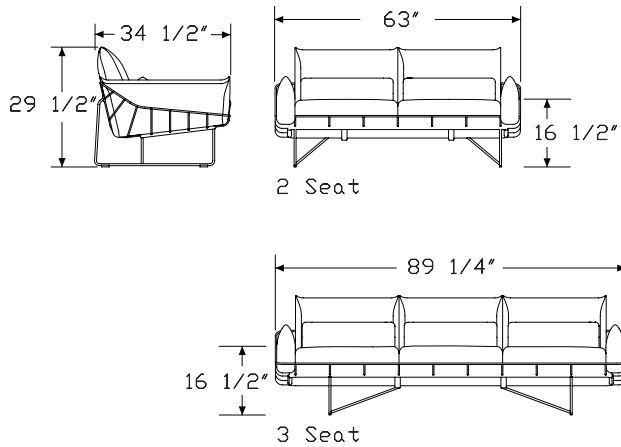
Notes

Fire retardant sofa meets CAL 133 requirements.

COM/COL requires 11 yards/198 square feet per 2-seat sofa, and 14 yards/252 square feet per 3-seat sofa.

Lumbar and throw pillows are shipped in same material specified for chair cushions.

Dimensions



Specification Information

Step 1.

BK1 A

Step 2. Size

1002 2-seat sofa A

1003 3-seat sofa A

Prices for Steps 1-2.

BK11002	\$5702
BK11003	\$6935

Step 3. Frame Finish

91 white <input type="checkbox"/> A	+\$0
BK black <input type="checkbox"/> A	+\$0

Step 4. Fabric

	1002	1003
Price Category 1	+\$0	0
Price Category 2	+\$206	258
Price Category 3	+\$309	361
Price Category (Geiger) 3	+\$309	361
Price Category 4	+\$515	618
Price Category (Geiger) 4	+\$515	618
Price Category 5	+\$721	876
Price Category (Geiger) 5	+\$721	876
Price Category 6	+\$979	1133
Price Category (Geiger) 6	+\$979	1133
Price Category 7	+\$1288	1545
Price Category (Geiger) 7	+\$1288	1545
Price Category 8	+\$1648	1648
Price Category (Geiger) 8	+\$1648	2009
Price Category 9	+\$2009	2421
Price Category (Geiger) 9	+\$2009	2421
Price Category 10	+\$2421	2884
Price Category (Geiger) 10	+\$2421	2884
Price Category 11	+\$2781	3348
Price Category (Geiger) 11	+\$2781	3348
Price Category 14	+\$3863	4687
Price Category B	+\$282	359
Price Category C	+\$472	601
Price Category D	+\$647	823
Price Category E	+\$782	995
Price Category F	+\$1010	1286
Price Category G	+\$1312	1670
Price Category H	+\$1595	2031
Price Category (Geiger) H	+\$1643	2092

HermanMiller Collection-Sofas

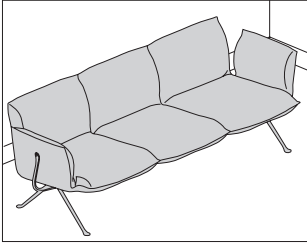
Wireframe™ Sofa *continued*

Price Category I	+\$1875	2387
Price Category J	+\$2155	2743
Price Category K	+\$2435	3099
Price Category L	+\$2715	3455
Price Category M	+\$2995	3812
Price Category N	+\$3275	4168
Price Category O	+\$3555	4524
Price Category P	+\$3834	4880
Price Category Q	+\$4128	5254
Price Category R	+\$5868	7469
Price Category S	+\$4744	6038
Price Category T	+\$5052	6430
Price Category U	+\$5360	6822
Price Category X	+\$7985	10163
Price Category Y	+\$8408	10702

Step 5. Fire Retardancy		
NOCAL	not fire retardant <input type="checkbox"/>	+\$0
133	fire retardant <input type="checkbox"/>	+\$488

Officina Sofa

SD224
SD225

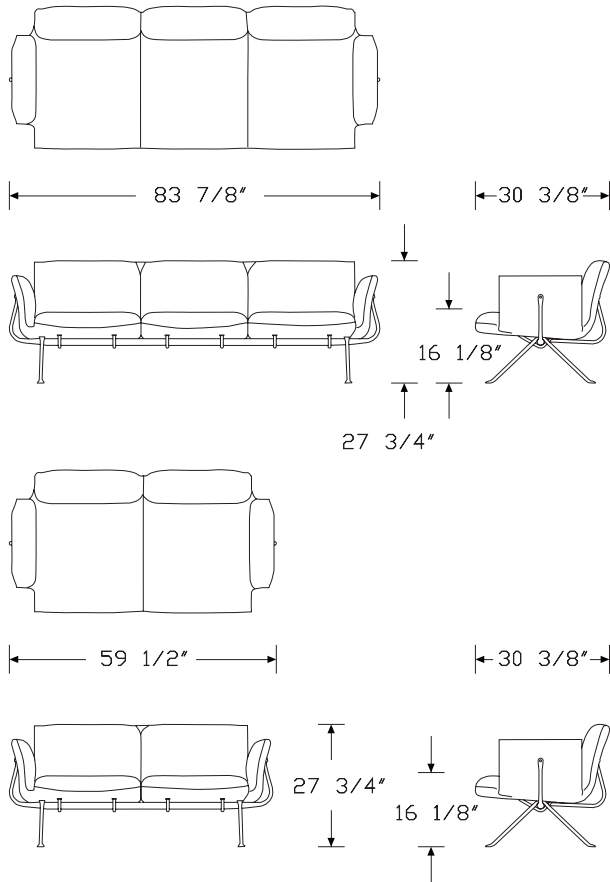


Product Information

Description

This sofa has a wrought iron frame available in galvanized or painted grey anthracite finish. Seat and back are upholstered. Ships assembled.

Dimensions



Specification Information

Step 1.

SD22 A

Step 2. Configuration

4X 2-seat sofa A

5X 3-seat sofa A

Prices for Steps 1-2.

SD224X	\$4325
SD225X	\$6195

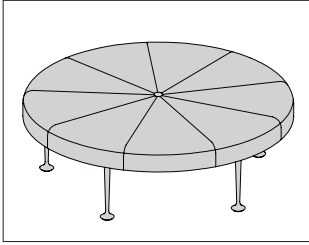
Step 3. Frame Finish

GLV galvanized A +\$0

YCB grey anthracite A +\$0

Step 4. Upholstery

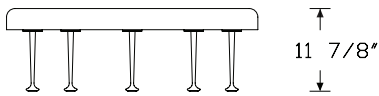
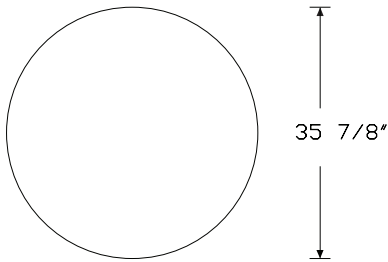
	4X	5X
Price Category (Magis) 1	+\$0	0
Price Category (Magis) 2	+\$600	900
Price Category G	+\$600	900
Price Category H	+\$600	900



Product Information

Description
 This ottoman is upholstered in either Jacobs Coat or a coordinated trio of Hallingdal colors. Legs are polished aluminum and have nonadjustable nylon glides.

Dimensions

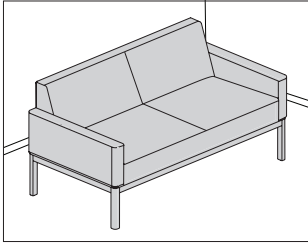


Specification Information

Step 1.	
66332 [A]	\$2167
Step 2. Base Finish	
L polished aluminum [A]	+\$0
Step 3. Fabric	
Price Category H	+\$400
Price Category L	+\$700

Wood Base Settee

TT2AA
TT2AW



Product Information

Description

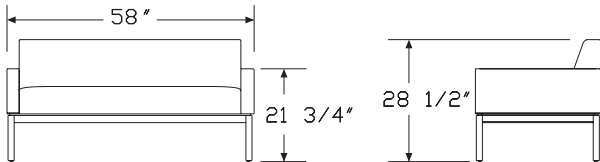
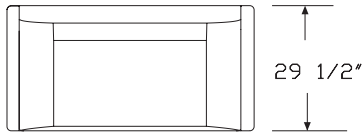
This settee has a polyurethane foam and Dacron® seat with a solid wood base. Base comes in ash or walnut.

Notes

Fire retardant settee meets CAL 133 requirements.

Customer's Own Material (COM) requires 5 1/4 yards. Customer's Own Leather (COL) requires 94 1/2 square feet. See Order Information in appendices.

Dimensions



Specification Information

Step 1.

TT2 A

Step 2. Arms

A arms A

Step 3. Wood Finish

A ash A

W walnut A

Prices for Steps 1-3.

TT2AA	\$3755
TT2AW	\$3962

Step 4. Upholstery

Price Category (Geiger) COL <input type="checkbox"/> A	+\$306
Price Category (Geiger) COM <input type="checkbox"/> A	+\$0
Price Category 1	+\$0
Price Category (Geiger) 2	+\$206
Price Category 2	+\$206
Price Category (Geiger) 3	+\$259
Price Category 3	+\$259
Price Category (Geiger) 4	+\$316
Price Category 4	+\$316
Price Category (Geiger) 5	+\$460
Price Category 5	+\$459
Price Category (Geiger) 6	+\$751
Price Category (Geiger) 7	+\$749
Price Category (Geiger) 8	+\$1148
Price Category (Geiger) 10	+\$1423
Price Category (Geiger) 11	+\$1835
Price Category 11	+\$1835
Price Category (Geiger) F	+\$557
Price Category (Geiger) G	+\$756

Step 5. Leg Finish

Low Sheen Finishes (on Ash)

For ash (A)

967 smoked paldao, low sheen <input type="checkbox"/> A	+\$0
969 warm paldao, low sheen <input type="checkbox"/> A	+\$0

Low Sheen Finishes (on Ash)

For ash (A)

940	sundance cherry on maple A	+\$0
943	caramel cherry A	+\$0
946	cocoa cherry A	+\$0
956	cocoa sapele A	+\$0
962	toasted walnut, low sheen A	+\$0
963	charred walnut, low sheen A	+\$0
964	bronzed walnut, low sheen A	+\$0
965	smoked walnut, low sheen A	+\$0
966	coffee walnut, low sheen A	+\$0
977	chocolate ash, low sheen A	+\$0
98R	recograin rosewood A	+\$0
991	champagne ash A	+\$0
998	ebony ash A	+\$0
99A	recograin frosty ash A	+\$0
99R	recograin rosewood A	+\$0
99T	recograin teak A	+\$0
9A1	white ash, quarter cut, low sheen A	+\$0
9K1	rift oak, rift cut, low sheen A	+\$0
9K6	burnt oak, rift cut, low sheen A	+\$0
ED	aged cherry A	+\$0
EK	medium red walnut A	+\$0
G2U	light brown walnut, low sheen A	+\$0
G40	dark brown walnut, low sheen A	+\$0
UX	walnut on cherry A	+\$0

Low Sheen Finishes (on Ash)

For ash (A)

98W	recograin walnut, flat cut, low sheen A	+\$0
99G	recograin wenge, quarter cut, low sheen A	+\$0
99W	recograin walnut, quarter cut, low sheen A	+\$0

Matte Sheen Finishes (on Ash)

For ash (A)

66A	recograin frosty ash A	+\$0
677	chocolate ash, matte sheen A	+\$0
68R	recograin rosewood A	+\$0
69A	recograin frosty ash A	+\$0
69R	recograin rosewood A	+\$0
69T	recograin teak A	+\$0
6A1	white ash A	+\$0
6K1	rift oak A	+\$0
6K6	burnt oak A	+\$0
ET	clear on ash A	+\$0
EU	oak on ash A	+\$0
EV	walnut on ash A	+\$0
GOU	natural walnut, flat cut, matte sheen A	+\$0

Matte Sheen Finishes (on Ash)

For ash (A)

66G	recograin wenge A	+\$0
68W	recograin walnut, flat cut, matte sheen A	+\$0
69G	recograin wenge A	+\$0
69W	recograin walnut, quarter cut, matte sheen A	+\$0

Low Sheen Finishes (on Walnut)

For walnut (W)

967	smoked paldao, low sheen A	+\$0
969	warm paldao, low sheen A	+\$0

Low Sheen Finishes (on Walnut)

For walnut (W)

962	toasted walnut, low sheen A	+\$0
963	charred walnut, low sheen A	+\$0
964	bronzed walnut, low sheen A	+\$0
965	smoked walnut, low sheen A	+\$0
966	coffee walnut, low sheen A	+\$0
972	sundance walnut A	+\$0
98R	recograin rosewood A	+\$0
99R	recograin rosewood A	+\$0
EK	medium red walnut A	+\$0
G2U	light brown walnut, low sheen A	+\$0
G40	dark brown walnut, low sheen A	+\$0

Low Sheen Finishes (on Walnut)

For walnut (W)

96G	wenge recograin, quarter cut, low sheen A	+\$0
99G	recograin wenge, quarter cut, low sheen A	+\$0

Wood Base Settee *continued*

Matte Sheen Finishes (on Walnut)

For walnut (W)

662	toasted walnut, matte sheen	<input type="checkbox"/> A	+\$0
663	charred walnut, matte sheen	<input type="checkbox"/> A	+\$0
664	bronzed walnut, matte sheen	<input type="checkbox"/> A	+\$0
665	smoked walnut, matte sheen	<input type="checkbox"/> A	+\$0
666	coffee walnut, matte sheen	<input type="checkbox"/> A	+\$0
667	smoked paldao, quarter cut, matte sheen	<input type="checkbox"/> A	+\$0
669	warm paldao, quarter cut, matte sheen	<input type="checkbox"/> A	+\$0
68R	recograin rosewood	<input type="checkbox"/> A	+\$0
69R	recograin rosewood	<input type="checkbox"/> A	+\$0
GOU	natural walnut, flat cut, matte sheen	<input type="checkbox"/> A	+\$0

Matte Sheen Finishes (on Walnut)

For walnut (W)

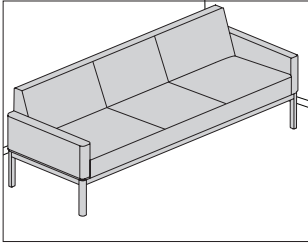
66G	recograin wenge	<input type="checkbox"/> A	+\$0
69G	recograin wenge	<input type="checkbox"/> A	+\$0

Step 6. Fire Retardancy

NOCAL	no cal-133 required	<input type="checkbox"/> A	+\$0
--------------	---------------------	----------------------------	------

Wood Base Sofa

TT3AA
TT3AW



Product Information

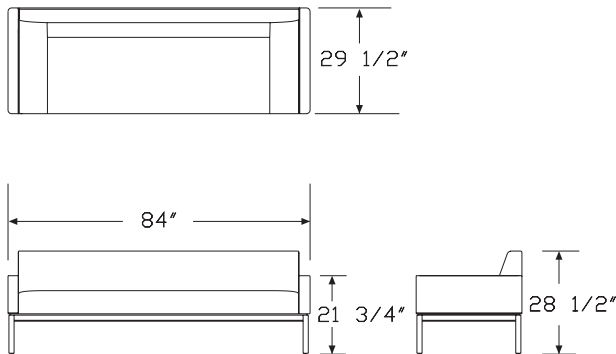
Description
This sofa has a polyurethane foam and Dacron® seat with a solid wood base. Base comes in ash or walnut.

Notes

Fire retardant sofa meets CAL 133 requirements.
Customer's Own Material (COM) requires 7¼ yards. Customer's Own Leather (COL) requires 130½ square feet. See Order Information in appendices.

Dimensions

HermanMiller Collection—Sofas



Specification Information

Step 1.

TT3 A

Step 2. Arms

A arms A

Step 3. Wood Finish

A ash A

W walnut A

Prices for Steps 1-3.

TT3AA	\$4591
TT3AW	\$4905

Step 4. Upholstery

Price Category (Geiger) COL A	+\$414
Price Category (Geiger) COM A	+\$0
Price Category 1	+\$0
Price Category (Geiger) 2	+\$279
Price Category 2	+\$279
Price Category (Geiger) 3	+\$350
Price Category 3	+\$350
Price Category (Geiger) 4	+\$427
Price Category 4	+\$427
Price Category (Geiger) 5	+\$623
Price Category 5	+\$623
Price Category (Geiger) 6	+\$0
Price Category (Geiger) 7	+\$1013
Price Category (Geiger) 8	+\$1553
Price Category (Geiger) 10	+\$2216
Price Category (Geiger) 11	+\$2482
Price Category 11	+\$2482
Price Category (Geiger) G	+\$1044

Step 5. Leg Finish

Low Sheen Finishes (on Ash)

For ash (A)

967 smoked paldao, low sheen A	+\$0
969 warm paldao, low sheen A	+\$0

Wood Base Sofa *continued*

Low Sheen Finishes (on Ash)

For ash (A)

940	sundance cherry on maple [A]	+\$0
943	caramel cherry [A]	+\$0
946	cocoa cherry [A]	+\$0
956	cocoa sapele [A]	+\$0
962	toasted walnut, low sheen [A]	+\$0
963	charred walnut, low sheen [A]	+\$0
964	bronzed walnut, low sheen [A]	+\$0
965	smoked walnut, low sheen [A]	+\$0
966	coffee walnut, low sheen [A]	+\$0
977	chocolate ash, low sheen [A]	+\$0
98R	recograin rosewood [A]	+\$0
991	champagne ash [A]	+\$0
998	ebony ash [A]	+\$0
99A	recograin frosty ash [A]	+\$0
99R	recograin rosewood [A]	+\$0
99T	recograin teak [A]	+\$0
9A1	white ash, quarter cut, low sheen [A]	+\$0
9K1	rift oak, rift cut, low sheen [A]	+\$0
9K6	burnt oak, rift cut, low sheen [A]	+\$0
ED	aged cherry [A]	+\$0
EK	medium red walnut [A]	+\$0
G2U	light brown walnut, low sheen [A]	+\$0
G40	dark brown walnut, low sheen [A]	+\$0
UX	walnut on cherry [A]	+\$0

Low Sheen Finishes (on Ash)

For ash (A)

98W	recograin walnut, flat cut, low sheen [A]	+\$0
99G	recograin wenge, quarter cut, low sheen [A]	+\$0
99W	recograin walnut, quarter cut, low sheen [A]	+\$0

Matte Sheen Finishes (on Ash)

For ash (A)

66A	recograin frosty ash [A]	+\$0
677	chocolate ash, matte sheen [A]	+\$0
68R	recograin rosewood [A]	+\$0
69A	recograin frosty ash [A]	+\$0
69R	recograin rosewood [A]	+\$0
69T	recograin teak [A]	+\$0
6A1	white ash [A]	+\$0
6K1	rift oak [A]	+\$0
6K6	burnt oak [A]	+\$0
ET	clear on ash [A]	+\$0
EU	oak on ash [A]	+\$0
EV	walnut on ash [A]	+\$0
GOU	natural walnut, flat cut, matte sheen [A]	+\$0

Matte Sheen Finishes (on Ash)

For ash (A)

66G	recograin wenge [A]	+\$0
68W	recograin walnut, flat cut, matte sheen [A]	+\$0
69G	recograin wenge [A]	+\$0
69W	recograin walnut, quarter cut, matte sheen [A]	+\$0

Low Sheen Finishes (on Walnut)

For walnut (W)

962	toasted walnut, low sheen [A]	+\$0
963	charred walnut, low sheen [A]	+\$0
964	bronzed walnut, low sheen [A]	+\$0
965	smoked walnut, low sheen [A]	+\$0
966	coffee walnut, low sheen [A]	+\$0
972	sundance walnut [A]	+\$0
98R	recograin rosewood [A]	+\$0
99R	recograin rosewood [A]	+\$0
EK	medium red walnut [A]	+\$0
G2U	light brown walnut, low sheen [A]	+\$0
G40	dark brown walnut, low sheen [A]	+\$0

Matte Sheen Finishes (on Walnut)

For walnut (W)

967	smoked paldao, low sheen [A]	+\$0
969	warm paldao, low sheen [A]	+\$0

Wood Base Sofa *continued*

Matte Sheen Finishes (on Walnut)

For walnut (W)

662	toasted walnut, matte sheen <input type="checkbox"/> A	+\$0
663	charred walnut, matte sheen <input type="checkbox"/> A	+\$0
664	bronzed walnut, matte sheen <input type="checkbox"/> A	+\$0
665	smoked walnut, matte sheen <input type="checkbox"/> A	+\$0
666	coffee walnut, matte sheen <input type="checkbox"/> A	+\$0
667	smoked paldao, quarter cut, matte sheen <input type="checkbox"/> A	+\$0
669	warm paldao, quarter cut, matte sheen <input type="checkbox"/> A	+\$0
68R	recograin rosewood <input type="checkbox"/> A	+\$0
69R	recograin rosewood <input type="checkbox"/> A	+\$0
GOU	natural walnut, flat cut, matte sheen <input type="checkbox"/> A	+\$0

Matte Sheen Finishes (on Walnut)

For walnut (W)

66G	recograin wenge <input type="checkbox"/> A	+\$0
69G	recograin wenge <input type="checkbox"/> A	+\$0

Matte Sheen Finishes (on Walnut)

For walnut (W)

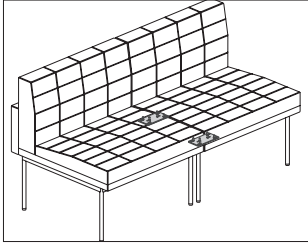
96G	wenge recograin, quarter cut, low sheen <input type="checkbox"/> A	+\$0
99G	recograin wenge, quarter cut, low sheen <input type="checkbox"/> A	+\$0

Step 6. Fire Retardancy

NOCAL	no cal-133 required <input type="checkbox"/> A	+\$0
--------------	--	------

Tuxedo Ganging Plate

STGP

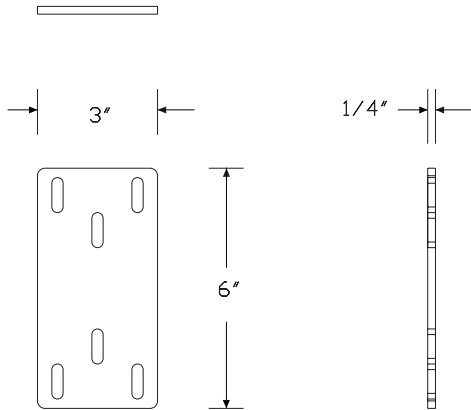


Product Information

Description

This ganging plate kit includes 2 metal plates and attachment hardware.

Dimensions



Specification Information

Step 1.

STGP A

\$76

HermanMiller Collection Desks and Tables

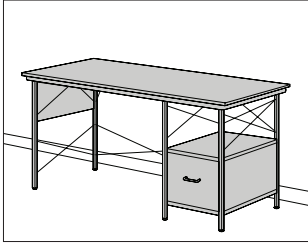
Desks

Tables

Occasional Tables

Eames® Desk Unit

EDU10.
EDU20.
EDU21.

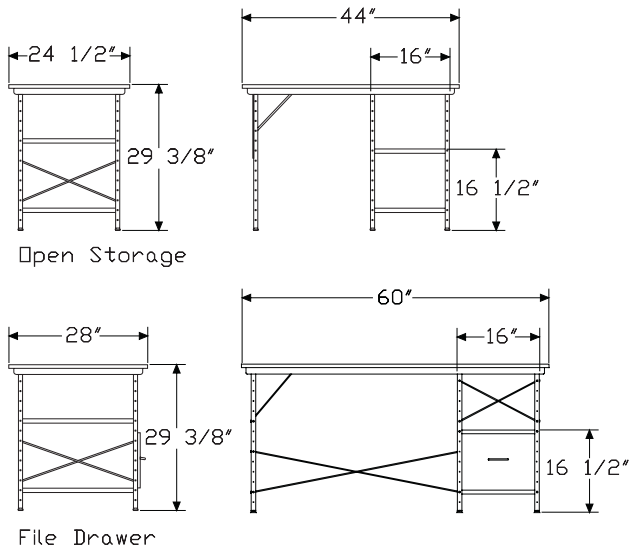


Product Information

Description

This desk unit has a powder-coated or zinc-coated steel frame, a birch top, painted side panels, with either open storage or a birch-front file drawer on the left or right side. It has adjustable glides.

Dimensions



Specification Information

Step 1.

EDU

Step 2. File Drawer

- 10. open storage
- 20. right-hand file drawer
- 21. left-hand file drawer

Prices for Steps 1-2.

EDU10.	\$2076
EDU20.	\$2316
EDU21.	\$2316

Step 3. Frame Finish

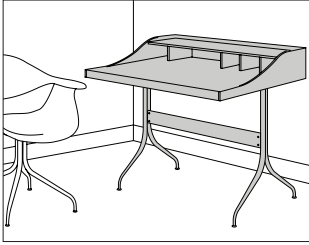
ZC zinc plated <input type="checkbox"/>	+\$0
BU black umber <input type="checkbox"/>	+\$95

Step 4. Surface Finish

NC natural color <input type="checkbox"/>	+\$0
W9 multi-color <input type="checkbox"/>	+\$0

Nelson™ Swag Leg Desk

NS585



HermanMiller Collection—Desks

Product Information

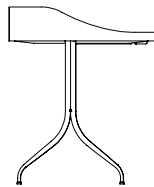
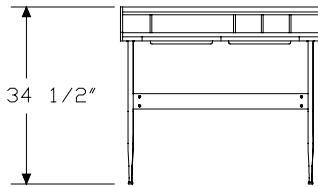
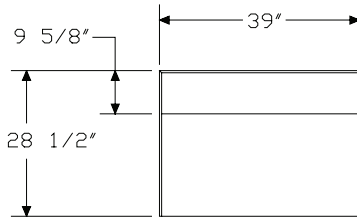
Description

This 34½"-high desk has a white-laminate top surface, solid walnut side and back panels, 4 hardwood dividers, and 2 black-plastic pencil drawers. The base is chrome-finished steel tubing with a solid walnut stretcher and adjustable glides. The desk also has a grommet for cable management. Shipped knocked down.

Notes

Hardwood divider colors include 2 orange, 1 spa blue, and 1 chartreuse.

Dimensions



Specification Information

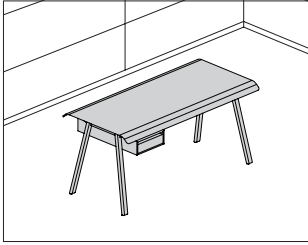
Step 1.

NS5850 A

\$3079

Distil Desk

TB100.

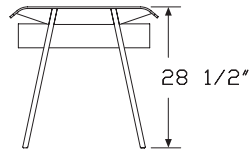
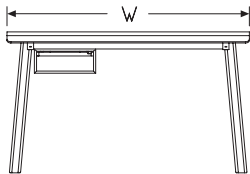
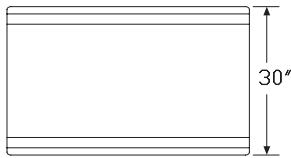


Product Information

Description

This desk has a molded plywood top with veneer in a choice of finishes, solid wood legs, and a choice of storage boxes. Storage boxes have laminate interior surfaces, can be oriented vertically or horizontally, and mounted on the left or right side of the desk. Storage box includes a drawer with coordinating laminate interior and is stained to match the desk top. Ships knocked down.

Dimensions



Specification Information

Step 1.

TB100. A

Step 2. Size

3048 30" deep x 48" wide A

3060 30" deep x 60" wide A

Step 3. Storage Box Option

For 30" deep x 48" wide (3048)

VSB vertical, single box A

HSB horizontal, single box A

For 30" deep x 60" wide (3060)

VSB vertical, single box A

HSB horizontal, single box A

VHB 1 vertical and 1 horizontal box A

VVB 2 vertical boxes A

Prices for Steps 1-3.

	VSB	HSB	VHB	VVB
TB100. 3048	\$3766	3654	—	—
3060	\$3877	3766	4984	5094

Step 4. Top Finish

		3048	3060
A2 white ash <input type="checkbox"/> A		+\$0	0
EN ebony <input type="checkbox"/> A		+\$0	0
OU walnut <input type="checkbox"/> A		+\$150	300

Step 5. Storage Box Interior Finish

For white ash (A2)

91 white A +\$0

For ebony (EN)

BK black A +\$0

For walnut (OU)

91 white A +\$0

BK black A +\$0

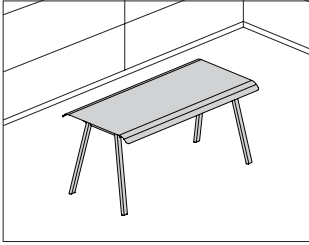
ORN orange A +\$0

Step 6. Leg Material

WWD wood A +\$0

Distil Table

TB200.



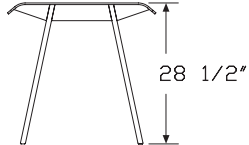
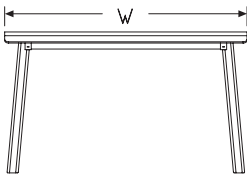
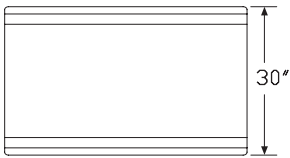
HermanMiller Collection - Desks

Product Information

Description

This table has a molded plywood top with veneer in a choice of finishes and solid wood legs. Ships knocked down.

Dimensions



Specification Information

Step 1.

TB200. A

Step 2. Size

3048 30" deep x 48" wide A

3060 30" deep x 60" wide A

Prices for Steps 1-2.

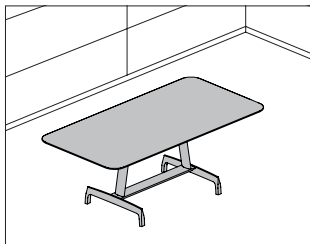
TB200. 3048	\$2548
3060	\$2658

Step 3. Top Finish

	3048	3060
A2 white ash <input type="checkbox"/> A	+\$0	0
EN ebony <input type="checkbox"/> A	+\$0	0
OU walnut <input type="checkbox"/> A	+\$150	300

Step 4. Leg Material

WWD wood <input type="checkbox"/> A	+\$0
--	------



Product Information

Description

This rectangular table comes in 3 depths and 7 widths, and has painted Formcoat®, veneer, and stone surface options. Top is 3/4" thick and has a soft, tapered edge. Glides have 1 1/4" of leveling adjustment.

Notes

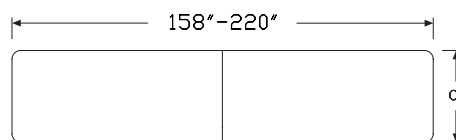
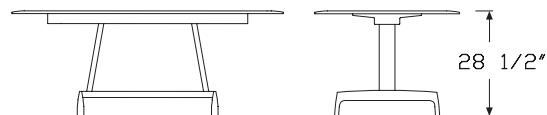
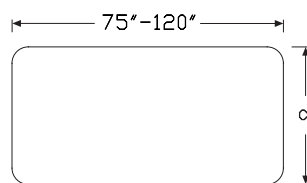
Tables 158" wide and wider will have 2-piece tops and a double base.

Grain direction for veneer tables less than 158" wide will align with width; for veneer tables 158" wide and wider grain direction will align with depth.

Santos palisander veneer is celebrated for its unique grain and color variations. Similar products ordered in multiples or dissimilar products ordered separately should be expected to have variation in both grain and color characteristics; no two products will look exactly alike.

Natural characteristics in stone cause variations in hues, veins, crystals, and distinctive marks. These variations and subtle changes seen as the stone ages are values associated with natural materials. No two tabletops are identically the same; variations in both color and veining are to be expected. Over time the stone may fade in color, staining of the surface may appear, and surface cracks-if not already visible at time of purchase-may appear. Small cracks do not affect the structure of the tabletop.

Dimensions



Specification Information				
Step 1.				
DF	A			
Step 2. Shape				
100.	rectangular	A		
Step 3. Depth				
38	38" deep	A		
42	42" deep	A		
48	48" deep	A		
Step 4. Width				
<i>For 38" deep (38)</i>				
75	75" wide	A		
85	85" wide	A		
<i>For 42" deep (42)</i>				
85	85" wide	A		
95	95" wide	A		
<i>For 48" deep (48)</i>				
95	95" wide	A		
120	120" wide	A		
158	158" wide	A		
190	190" wide	A		
220	220" wide	A		
Step 5. Surface Material				
<i>For 75" wide (75), 85" wide (85), or 95" wide (95)</i>				
P	paint Formcoat®	A		
W	veneer	A		
S	stone	A		
<i>For 120" wide (120), 158" wide (158), 190" wide (190), or 220" wide (220)</i>				
P	paint Formcoat®	A		
W	veneer	A		
Prices for Steps 1-5.				
		P	W	S
DF100. 38 75		\$4472	6708	16768
85		\$4584	6819	17328
42 85		\$4695	6931	17887
95		\$5031	7266	19004

48 95	\$5253	7489	20681
120	\$6037	8272	—
158	\$8608	13415	—
190	\$10061	14532	—
220	\$10619	15651	—

Step 6. Understructure Finish			
91	white	A	+\$0
BK	black	A	+\$0

Step 7. Base Finish			
<i>For white (91)</i>			
91	white	A	+\$0
PA	polished aluminum	A	+\$0

<i>For black (BK)</i>			
BK	black	A	+\$0
PA	polished aluminum	A	+\$0

Step 8. Top Finish			
<i>For painted Formcoat® (P)</i>			
8Q	folkstone grey	A	+\$0
91	white	A	+\$0

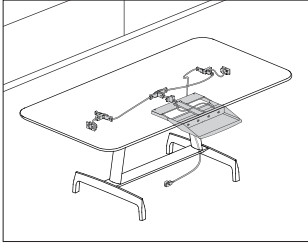
<i>For 38" deep (38), 42" deep (42), or 48" deep (48) with 75" wide (75), 85" wide (85), 95" wide (95), or 120" wide (120), or 158" wide (158), or 190" wide (190), or 220" wide (220) with veneer (W) with white (91), or polished aluminum (PA)</i>			
A2	white ash	A	+\$0

For veneer (W) AND black (BK)							
		3875	3885	4285	4295	4895	
9N	santos palisander	A	+\$1299	1499	1899	2299	2399
A2	white ash	A	+\$0	0	0	0	0
EN	ebony	A	+\$0	0	0	0	0
OU	walnut	A	+\$0	0	0	0	0
			48120	48158	48190	48220	
9N	santos palisander	A	+\$3699	4099	4599	6299	
A2	white ash	A	+\$0	0	0	0	
EN	ebony	A	+\$0	0	0	0	
OU	walnut	A	+\$0	0	0	0	

<i>For veneer (W) AND polished aluminum (PA)</i>						
		3875	3885	4285	4295	4895
9N	santos palisander A	+\$1299	1499	1899	2299	2399
EN	ebony A	+\$0	0	0	0	0
OU	walnut A	+\$0	0	0	0	0
		48120	48158	48190	48220	
9N	santos palisander A	+\$3699	4099	4599	6299	
EN	ebony A	+\$0	0	0	0	
OU	walnut A	+\$0	0	0	0	

<i>For 38" deep (38), 42" deep (42), or 48" deep (48) with 75" wide (75), or 85" wide (85), or 95" wide (95) with stone (S) with white (91), or polished aluminum (PA)</i>						
5U	georgia grey marble A					+\$1500

<i>For 38" deep (38), 42" deep (42), or 48" deep (48) with 75" wide (75), or 85" wide (85), or 95" wide (95) with stone (S) with black (BK), or polished aluminum (PA)</i>						
5U	georgia grey marble A					+\$1500
HR	wisconsin black marble A					+\$5000



Product Information

Description

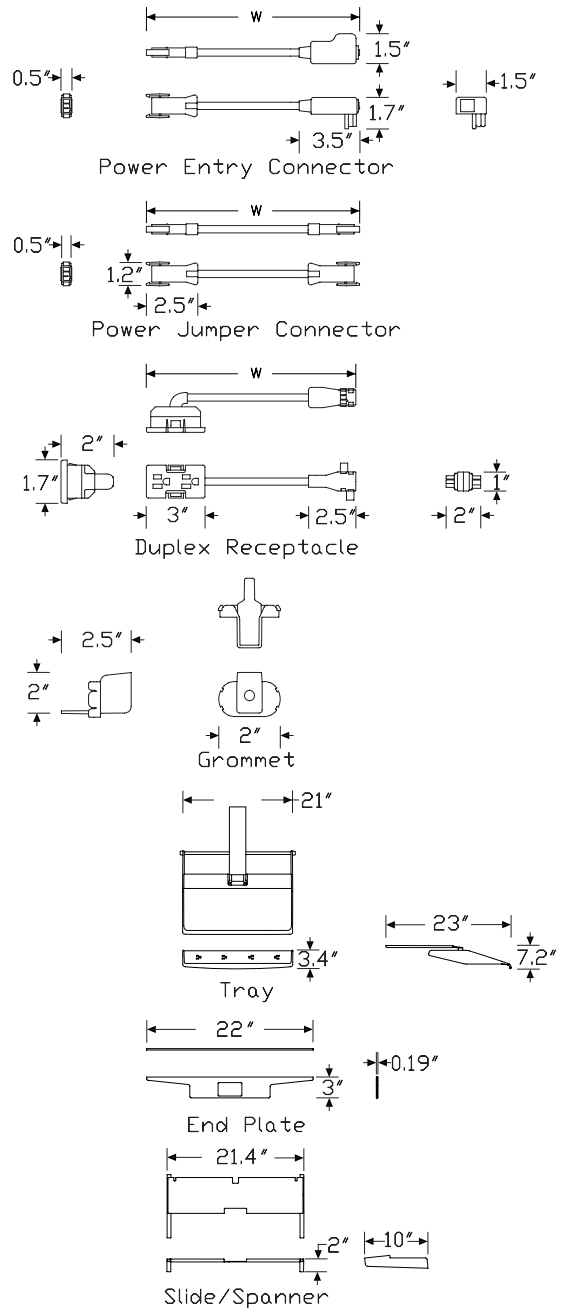
This power kit connects to an AGL™ table. Each kit includes a predetermined number of trays (based on table size), a power entry connector, power jumpers and 2 duplex receptacles for each end of an AGL table. Each tray includes 2 combination receptacles that have a 15-amp simplex receptacle and dual USB ports. Power kit is UL listed for use with AGL table in the US and Canada.

Notes

- Each receptacle is rated at 120 VAC, 15 amp.
- One of the USB ports is a high-power port that can accommodate tablets and other high draw devices.
- Each power cord has a 15-amp resettable circuit breaker.
- For desking applications, specify 1 tray for 38" deep x 75" wide, 38" deep x 85" wide, and 42" deep x 85" wide tables.

HermanMiller Collection—Tables

Dimensions



AGL™ Table Group Power Kit

continued

Specification Information

Step 1.

DF900. A

Step 2. Table Size & Kit Configuration

- 3875A** 38" deep X 75" wide, 1 tray A
- 3875B** 38" deep X 75" wide, 2 trays A
- 3885A** 38" deep X 85" wide, 1 tray A
- 3885B** 38" deep X 85" wide, 2 trays A
- 4285A** 42" deep X 85" wide, 1 tray A
- 4285B** 42" deep X 85" wide, 2 trays A
- 4295B** 42" deep X 95" wide, 2 trays A
- 4895B** 48" deep X 95" wide, 2 trays A
- 48120C** 48" deep X 120" wide, 4 trays A
- 48158C** 48" deep X 158" wide, 4 trays A
- 48190D** 48" wide X 190" deep, 6 trays A
- 48220D** 48" wide X 220" deep, 6 trays A

Prices for Steps 1-2.

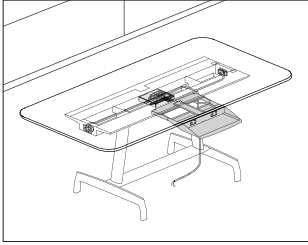
DF900. 3875A	\$1006
3875B	\$1565
3885A	\$1006
3885B	\$1565
4285A	\$1006
4285B	\$1565
4295B	\$1565
4895B	\$1565
48120C	\$2906
48158C	\$2906
48190D	\$4025
48220D	\$4025

Step 3. Finish

- 91** white A + \$0
- BK** black A + \$0

AGL™ Table Group Power Kit, Chicago version

DF901.



Product Information

Description

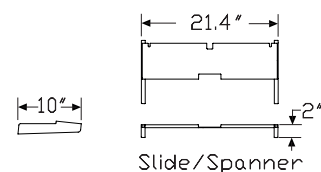
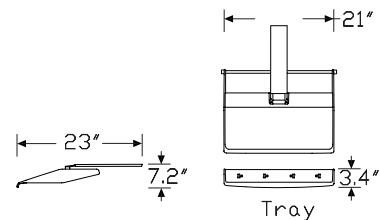
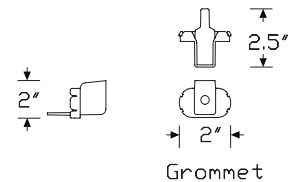
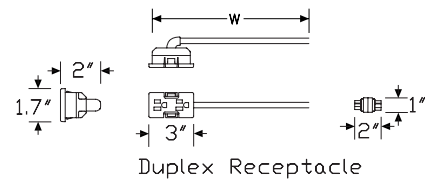
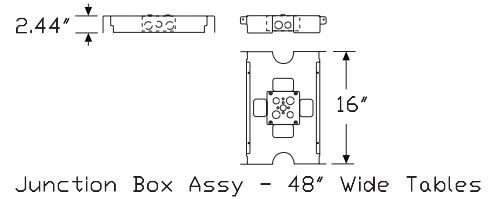
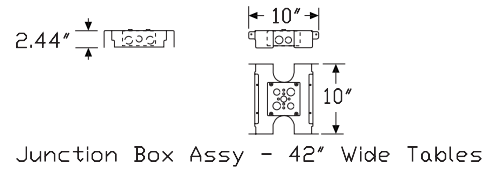
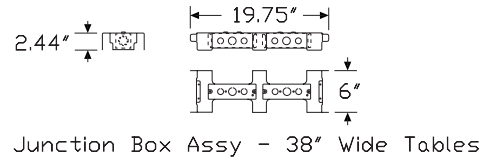
This power kit is for use with an AGL™ table only and must be wired by a licensed electrician. It includes a predetermined number of trays (based on table size), junction boxes, junction box covers, and duplex receptacles for each end of an AGL table. Each tray in the kit includes 2 combination receptacles that have a 15-amp simplex receptacle and dual USB ports.

Notes

Each receptacle is rated at 120 VAC, 15 amp.
For desking applications, specify 1 tray for 38" deep x 75" wide, 38" deep x 85" wide, and 42" deep x 85" wide AGL tables.

HermanMiller Collection—Tables

Dimensions



AGL™ Table Group Power Kit,
Chicago version *continued*

Specification Information

Step 1.

DF901. A

Step 2. Table Size & Kit Configuration

- 3875A** 38" deep X 75" wide, 1 tray A
- 3875B** 38" deep X 75" wide, 2 trays A
- 3885A** 38" deep X 85" wide, 1 tray A
- 3885B** 38" deep X 85" wide, 2 trays A
- 4285A** 42" deep X 85" wide, 1 tray A
- 4285B** 42" deep X 85" wide, 2 trays A
- 4295B** 42" deep X 95" wide, 2 trays A
- 4895B** 48" deep X 95" wide, 2 trays A
- 48120C** 48" deep X 120" wide, 4 trays A
- 48158C** 48" deep X 158" wide, 4 trays A
- 48190D** 48" wide X 190" deep, 6 trays A
- 48220D** 48" wide X 220" deep, 6 trays A

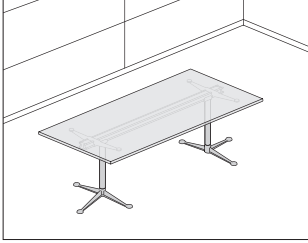
Prices for Steps 1-2.

DF901. 3875A	\$894
3875B	\$1565
3885A	\$894
3885B	\$1565
4285A	\$894
4285B	\$1565
4295B	\$1565
4895B	\$1565
48120C	\$2795
48158C	\$2795
48190D	\$3913
48220D	\$3913

Step 3. Finish

91 white <input type="checkbox"/> A	+\$0
BK black <input type="checkbox"/> A	+\$0

Burdick Group™ Rectangular Table BG321
BG322
BG331
BG332



Product Information

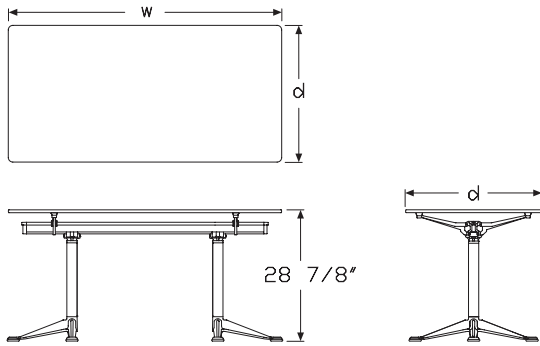
Description

This glass top table attaches to a beam and is available in 2 widths and 2 depths. Beam top surface, end caps, glides, and hook-and-loop fasteners are black. Attachment brackets are included.

Notes

Beam length is unique for 60"-wide and 72"-wide tables.
For white (91) bracket finish, attachment screws will be bright zinc. For black (BK) and polished aluminum (CD) bracket finishes, attachment screws will be black zinc.
Leg-to-beam connector is polished aluminum with no painted accents.

Dimensions



Specification Information

Step 1.

BG3 A

Step 2. Depth/Width

- 21** 30" deep x 60" wide A
- 22** 30" deep x 72" wide A
- 31** 36" deep x 60" wide A
- 32** 36" deep x 72" wide A

Step 3. Surface Material

G glass top A

Prices for Steps 1-3.

BG321 G	\$4855
BG322 G	\$6325
BG331 G	\$4968
BG332 G	\$6437

Step 4. Top/Edge Finish

JL clear glass A + \$0

Step 5. Bracket Finish

- 91** white A + \$0
- BK** black A + \$0
- CD** polished aluminum A + \$0

Step 6. Column Finish

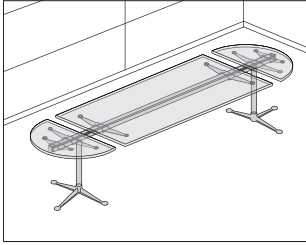
- 91** white A + \$0
- BK** black A + \$0

Step 7. Base Finish

CD polished aluminum A + \$0

Burdick Group™ Oval Table

BG335
BG336
BG435
BG436



Product Information

Description

This oval table has a rectangular glass center surface with glass or stone half-round surfaces on each end, attached to a beam. Table is available in 2 heights, 2 widths and 1 depth. Beam top surface, end caps, glides, and hook-and-loop fasteners are black. Attachment brackets are included.

Notes

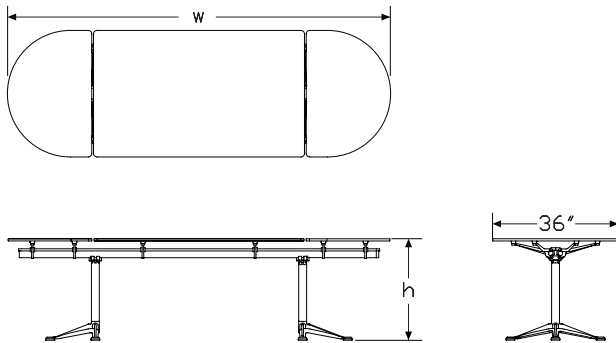
Beam length is unique for each table width.

Center section dimensions are 36" x 60" for the 108" table width, and 36" x 72" for the 120" table width.

For white (91) bracket finish, attachment screws will be bright zinc. For black (BK) and polished aluminum (CD) bracket finishes, attachment screws will be black zinc.

Leg-to-beam connector is polished aluminum with no painted accents.

Dimensions



Specification Information

Step 1.

BG A

Step 2. Height

3 28.5" high A

4 36" high A

Step 3. Depth/Width

35 36" deep x 108" wide A

36 36" deep x 120" wide A

Step 4. Middle Surface Material

G glass top A

Step 5. Ends Surface Material

G glass top A

S stone top A

Prices for Steps 1-5.

	G	S
BG335 G	\$7792	14904
BG336 G	\$9259	16372
BG435 G	\$7792	14904
BG436 G	\$9259	16372

Step 6. Middle Surface Finish

JL clear glass A +\$0

Step 7. Ends Surface Finish

For glass top (G)

JL clear glass A +\$0

For stone top (S)

5U georgia grey marble A +\$699

HR wisconsin black marble A +\$1899

Step 8. Bracket Finish

91 white A +\$0

BK black A +\$0

CD polished aluminum A +\$0

Burdick Group™ Oval Table *continued*

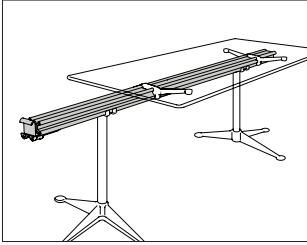
HermanMiller Collection—Tables

Step 9. Column Finish		
91	white <input type="checkbox"/> A	+\$0
BK	black <input type="checkbox"/> A	+\$0

Step 10. Base Finish		
CD	polished aluminum <input type="checkbox"/> A	+\$0

Burdick Group™ Beam

BG105
BG106



Product Information

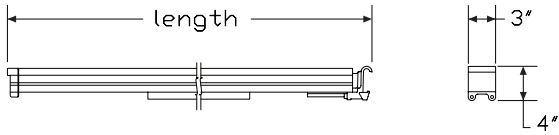
Description

This structural beam supports Burdick Group™ products. The beam is polished aluminum and has a cable management channel on the underside. Beams can be connected to form right angles. Attachment hardware included.

Notes

Order base assembly (BG107) separately.

Dimensions



Specification Information

Step 1.

BG10 A

Step 2. Type/Length

6 connecting and 5' 6" long A

5 connecting and 7' long A

Prices for Steps 1-2.

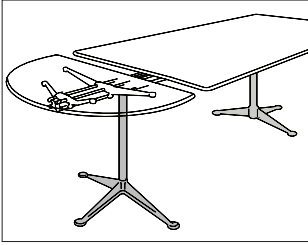
BG106 \$1470

BG105 \$1695

Step 3. Top Finish

BU black umber A +\$0

Burdick Group™ Base Assembly BG107



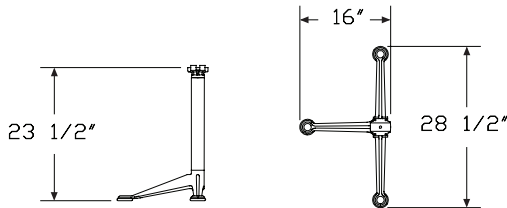
HermanMiller Collection—Tables

Product Information

Description
 This base structure supports a beam and has a vertical cable management package. The base is polished aluminum. Attachment hardware included. Shipped knocked down.

Notes
 Order beam (BG105 or BG106) separately.

Dimensions



Specification Information

Step 1.

BG10 A

Step 2. Configuration

7 single A

Prices for Steps 1-2.

BG107 \$848

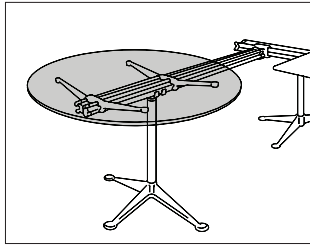
Step 3. Column Finish

91 white A +\$0

BK black A +\$0

Burdick Group™ Round Work Surface

BG122



Product Information

Description

This 48"-diameter glass work surface attaches to a beam. Attachment brackets included.

Dimensions



Specification Information

Step 1.

BG1 A

Step 2. Material

22 glass A

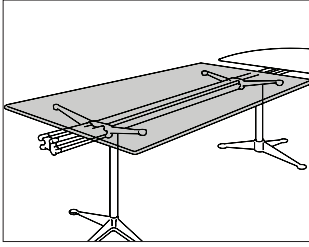
Prices for Steps 1-2.

BG122 \$2173

Step 3. Bracket Finish

91 white A +\$0
BK black A +\$0
CD polished aluminum A +\$0

Burdick Group™ Rectangular Work Surface BG120
 Surface BG121



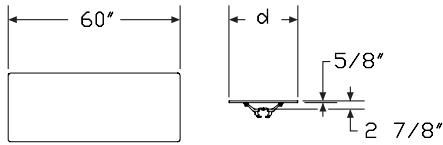
HermanMiller Collection—Tables

Product Information

Description

This 60"-wide glass work surface attaches to a beam. Attachment brackets included.

Dimensions



Specification Information

Step 1.

BG1 A

Step 2. Material/Depth

21 glass and 24" deep A

20 glass and 36" deep A

Prices for Steps 1-2.

BG121 \$1638

BG120 \$2145

Step 3. Bracket Finish

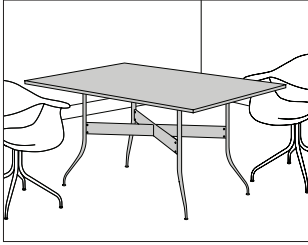
91 white A +\$0

BK black A +\$0

CD polished aluminum A +\$0

Nelson™ Swag Leg Dining Table
Rectangular

NS585

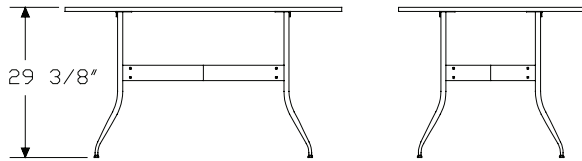
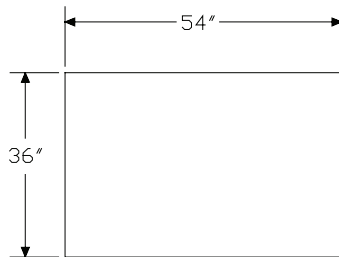


Product Information

Description

This 29³/₈"-high rectangular dining table has a white laminate top or walnut veneer top with a walnut edge band, 4 chrome-finished steel-tube legs, 2 solid walnut stretchers, and adjustable glides. Shipped knocked down.

Dimensions



Specification Information

Step 1.

NS5851 A

Step 2. Surface Material

L laminate A

W veneer A

Prices for Steps 1-2.

NS5851 L	\$2024
W	\$2562

Step 3. Surface Finish

For laminate (L)

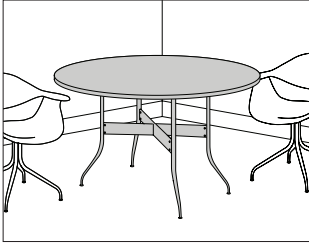
91 white A + \$0

For veneer (W)

OU walnut A + \$0

Nelson™ Swag Leg Dining Table
Round

NS585



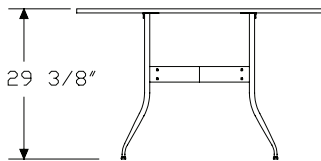
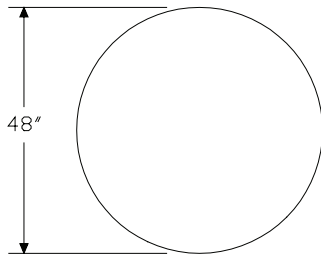
HermanMiller Collection—Tables

Product Information

Description

This 29³/₈"-high round dining table has a white laminate top or walnut veneer top with a walnut edge band, 4 chrome-finished steel-tube legs, 2 solid walnut stretchers, and adjustable glides. Shipped knocked down.

Dimensions



Specification Information

Step 1.

NS5852 A

Step 2. Surface Material

L laminate A

W veneer A

Prices for Steps 1-2.

NS5852 L	\$2024
W	\$2427

Step 3. Surface Finish

For laminate (L)

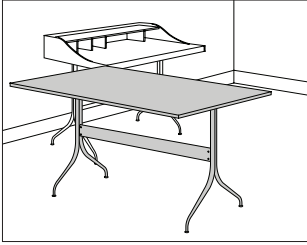
91 white A + \$0

For veneer (W)

OU walnut A + \$0

Nelson™ Swag Leg Work Table

NS585

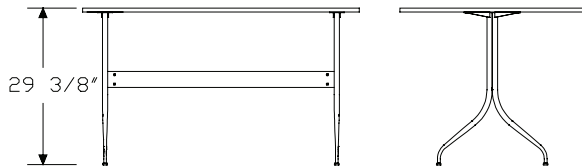
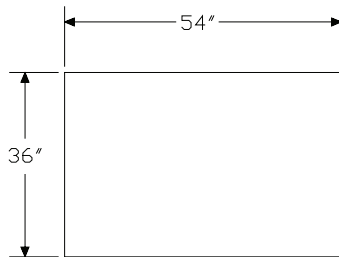


Product Information

Description

This 29³/₈"-high rectangular work table has a white laminate top or walnut veneer top with a walnut edge band, 4 chrome-finished steel-tube legs, 2 solid walnut stretchers, and adjustable glides. Shipped knocked down.

Dimensions



Specification Information

Step 1.

NS5854 A

Step 2. Surface Material

L laminate A

W veneer A

Prices for Steps 1-2.

NS5854 L	\$2024
W	\$2562

Step 3. Surface Finish

For laminate (L)

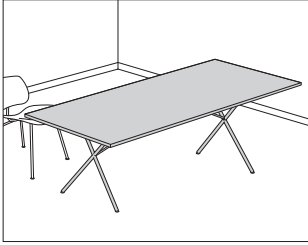
91 white A + \$0

For veneer (W)

OU walnut A + \$0

Nelson™ X-Leg Table

NX100.



HermanMiller Collection—Tables

Product Information

Description

This 28½"-high rectangular table has a laminate or veneer top with a veneer edge. Shipped knocked down.

Laminate top veneer edge colors are predetermined:

Top Color—Veneer Edge

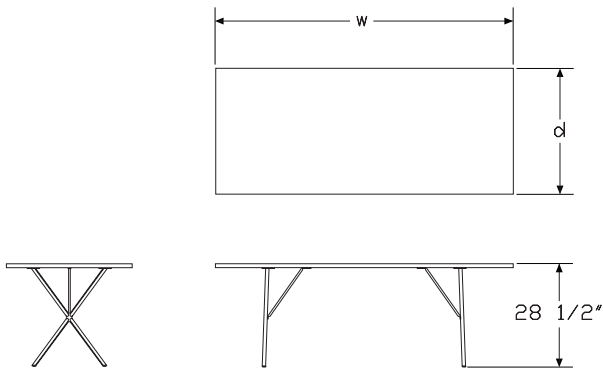
White (91)—Walnut (OU)

Studio White (98)—White Ash (A2)

Notes

Santos palisander veneer is celebrated for its unique grain and color variations. Similar products ordered in multiples or dissimilar products ordered separately should be expected to have variation in both grain and color characteristics; no two products will look exactly alike.

Dimensions



Specification Information

Step 1.

NX100. [A]

Step 2. Depth

30 30" deep [A]

36 36" deep [A]

Step 3. Width

60 60" wide [A]

72 72" wide [A]

84 84" wide [A]

Step 4. Surface Material

L laminate with veneer edge [A]

W veneer with veneer edge [A]

Prices for Steps 1-4.

		L	W
NX100. 30 60	72	\$1936	2150
	84	\$2150	2688
		\$2511	3226
36 60	72	\$2150	2688
	84	\$2511	3226
		\$2887	3709

Step 5. Top Finish

Solid-Color Laminate

For laminate with veneer edge (L)

91	white [A]					+\$0
98	studio white [A]					+\$0

Wood Veneer

For veneer with veneer edge (W)

		3060	3072	3084	3660	3672	
OU	walnut [A]	+\$0	0	0	0	0	
A2	white ash [A]	+\$250	265	265	265	290	
9N	santos palisander [A]	+\$950	1009	1009	1009	1104	
							3684
OU	walnut [A]						+\$0
A2	white ash [A]						+\$305
9N	santos palisander [A]						+\$1161

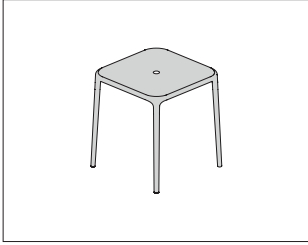
Nelson™ X-Leg Table *continued*

Step 6. Leg Finish

91	white	<input type="checkbox"/> A	+\$0
BK	black	<input type="checkbox"/> A	+\$0
47	trivalent chrome	<input type="checkbox"/> A	+\$55

Air-Table

MGA70.



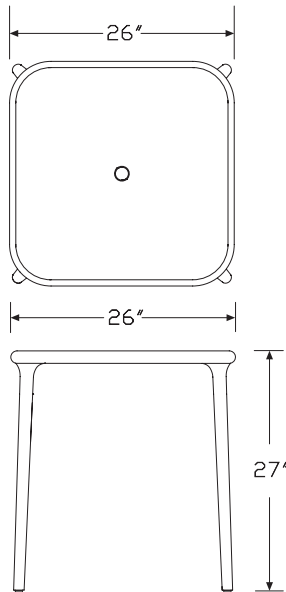
HermanMiller Collection-Tables

Product Information

Description
 This stacking and KD table is made from polypropylene with glass fibre added. It is available in a triangle or square shape. Tables can stack up to 5 high.

Notes
 This table is suitable for outdoor use.

Dimensions



Specification Information

Step 1.

MGA70. A

Step 2. Shape

S square A

Prices for Steps 1-2.

MGA70.S \$420

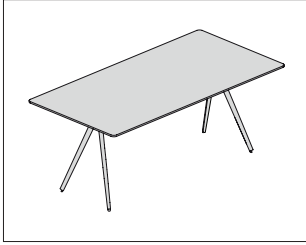
Step 3. Finish

YBB beige A +\$0

YBP white A +\$0

Baguette Table

MGG70.



Product Information

Description

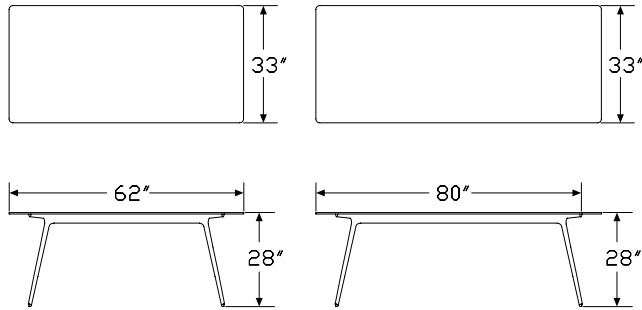
The legs of this table are cast aluminum, available polished or painted. The crosspiece is aluminum, also available polished or painted.

Notes

Painted (YCB, YCF) base with ardesia slate (YC) tables are suitable for outdoor use.

Other tops (WNT, YCB, YCF, YCC, CRR, SGG) and polished (YCD) base are NOT suitable for outdoor use.

Dimensions



Specification Information

Step 1.

MGG70.

Step 2. Size

3362 33" x 62" rectangular

3380 33" x 80" rectangular

Prices for Steps 1-2.

MGG70.3362	\$2108
3380	\$2313

Step 3. Frame Finish

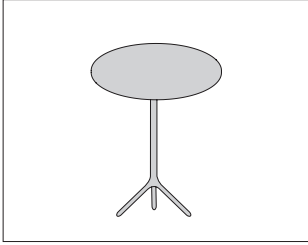
	3362	3380
YCB black <input type="checkbox"/>	+\$0	0
YCF white <input type="checkbox"/>	+\$0	0
YCD polished <input type="checkbox"/>	+\$350	351

Step 4. Top Finish

	3362	3380
YCB black <input type="checkbox"/>	+\$0	0
YCF white <input type="checkbox"/>	+\$0	0
WNT walnut <input type="checkbox"/>	+\$1682	2380
YCC extraclear glass <input type="checkbox"/>	+\$443	513
YCJ magis® ardesia slate <input type="checkbox"/>	+\$986	1022
CRR Carrara marble <input type="checkbox"/>	+\$1362	2017
SGG smoke grey glass <input type="checkbox"/>	+\$372	437

Central Table

MGG80.



HermanMiller Collection—Tables

Product Information

Description

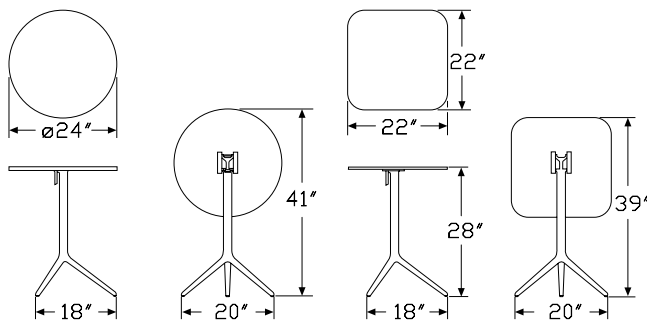
This table is available in a round or square shape. The frame is cast aluminum, available polished or painted.

Notes

For square table, polished aluminum frame is not available. Black or white finishes only.

Polished (YCD) option is NOT suitable for outdoor use.

Dimensions



Specification Information

Step 1.

MGG80. A

Step 2. Shape

R round A

S square A

Prices for Steps 1-2.

MGG80.R	\$1006
S	\$1006

Step 3. Frame/Top Finish

For round (R)

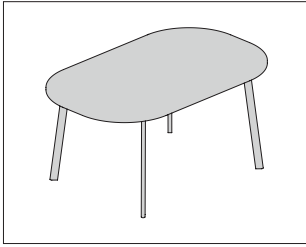
YCB black <input type="checkbox"/> A	+\$0
YCF white <input type="checkbox"/> A	+\$91
YCD polished <input type="checkbox"/> A	+\$493

For square (S)

YCB black <input type="checkbox"/> A	+\$0
YCF white <input type="checkbox"/> A	+\$91

Deja-Vu Table

MGD70.



Product Information

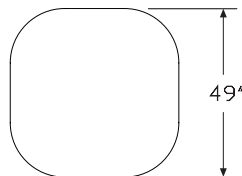
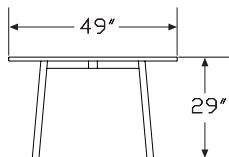
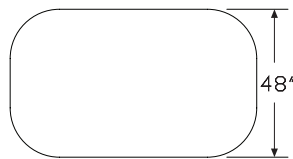
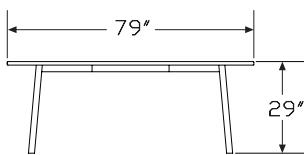
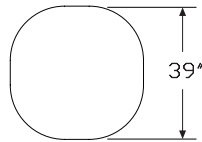
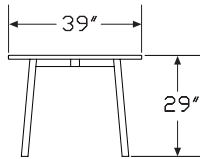
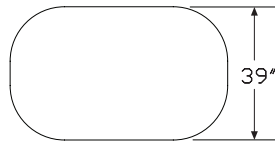
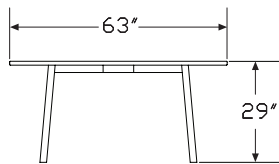
Description

This table is available in a rounded square or oval shape. Top is high pressure laminate. White top is available with polished aluminum legs.

Notes

Table thickness is $\frac{7}{8}$ ".

Dimensions



Specification Information

Step 1.

MGD70. A

Step 2. Shape

R rounded square A

V oval A

Step 3. Size

For rounded square (R)

3939 39" x 39" A

4949 49" x 49" A

For oval (V)

6336 63" x 39" A

7948 79" x 48" A

Prices for Steps 1-3.

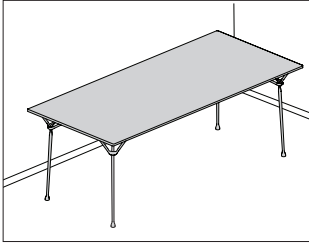
	3939	6336	4949	7948
MGD70.R	\$1675	—	2250	—
V	—	\$2145	—	2785

Step 4. Finish

YPL white top with polished aluminum legs A +\$500

Officina Table

MGQ70.



Product Information

Description

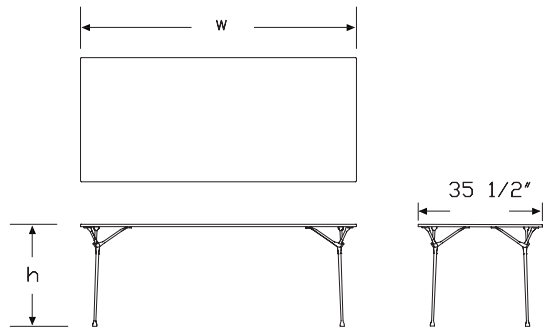
This table has a wrought iron frame that is galvanized or painted grey anthracite, and comes with a choice of tops. Grey anthracite top is 0.66" thick steel, electro-galvanized and painted. Walnut and ash tops are 1" thick. Glass top is tempered, 1/2" thick. Rectangular and round tables are 29" high, and square tables are 29 1/2" high.

Notes

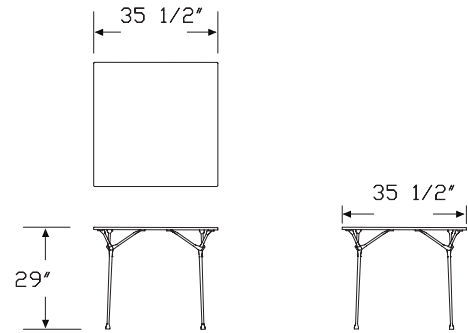
Dimensions are nominal.

HermanMiller Collection—Tables

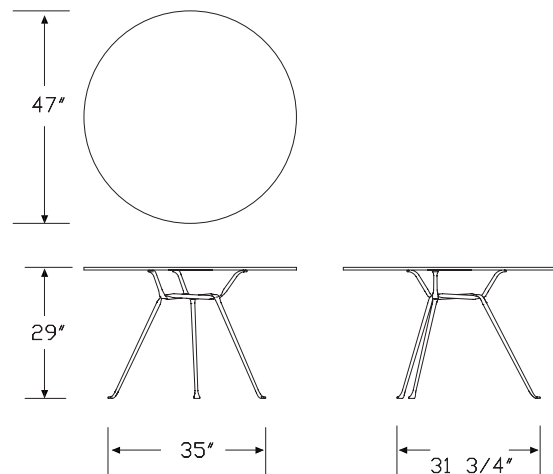
Dimensions



Rectangular table



Square table



Specification Information

Step 1.

MGQ70. A

Step 2. Shape

R rectangular A

S square A

D round A

Step 3. Size

For rectangular (R)

A 114" x 37.5" A

B 94.5" x 37.5" A

C 79" x 35.5" A

For square (S)

D 35.5" x 35.5" A

For round (D)

E 47.25" diameter A

Prices for Steps 1-3.

	A	D	E	B	C
MGQ70.	R \$5790	—	—	—	4690
4030					
S	—	\$2820	—	—	—
D	—	—	\$2440	—	—

Step 4. Frame Finish

For rectangular (R) or square (S)

GLV galvanized A +\$0

YCB grey anthracite A +\$200

For round (D)

YCB grey anthracite A +\$200

Step 5. Top Finish

For rectangular (R) or square (S) with 114" x 37.5" (A), or 35.5" x 35.5" (D), or 94.5" x 37.5" (B), or 79" x 35.5" (C) with galvanized (GLV)

YCB grey anthracite A +\$0

For rectangular (R) with 79" x 35.5" (C)

YCB grey anthracite A +\$0

WNT walnut A +\$1400

TTA thermo-treated ash A +\$970

For square (S) with 35.5" x 35.5" (D)

YCB grey anthracite A +\$0

WNT walnut A +\$860

TTA thermo-treated ash A +\$650

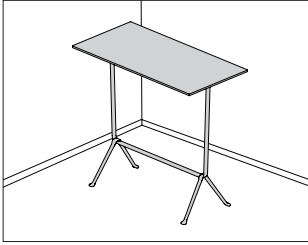
For round (D) with 47.25" diameter (E)

SGG smoke grey glass A +\$400

WNT walnut A +\$1690

Officina Bistro Table

MGQ70.



HermanMiller Collection—Tables

Product Information

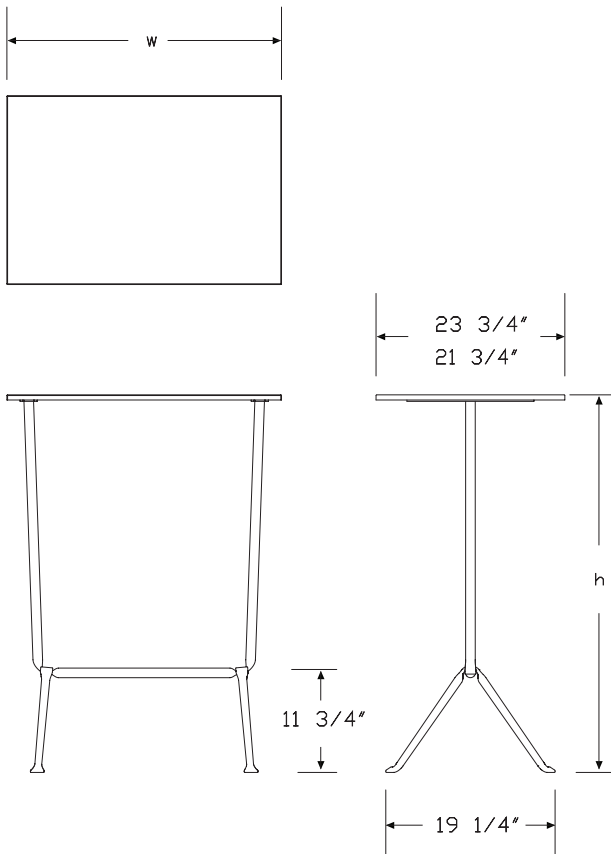
Description

This bistro table has a wrought iron frame that is galvanized or painted grey anthracite, and comes with a choice of tops. Grey anthracite top is 0.66" thick steel, electro-galvanized and painted. Walnut and ash tops are 1" thick. Available in 2 heights: 29½" high or 43½" high.

Notes

Dimensions are nominal.

Dimensions



Specification Information

Step 1.

MGQ70.B A

Step 2. Size

A	31.5"L x 21.75"W x 29.5" H	A
B	31.5"L x 21.75"W x 43.5" H	A
C	47.25"L x 23.75"W x 29.5" H	A
D	47.25"L x 23.75"W x 43.5" H	A

Prices for Steps 1-2.

MGQ70.B A	\$1860
B	\$2085
C	\$2020
D	\$2200

Step 3. Frame Finish

GLV	galvanized A	+\$0
YCB	grey anthracite A	+\$150

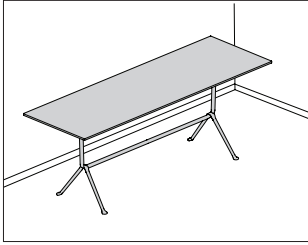
Step 4. Top Finish

For galvanized (GLV)

YCB	grey anthracite A				+\$0
		A	B	C	D
YCB	grey anthracite A	+\$0	0	0	0
TTA	thermo-treated ash A	+\$25	25	275	275
WNT	walnut A	+\$125	125	430	430

Officina Fratino Table

MGQ70.



Product Information

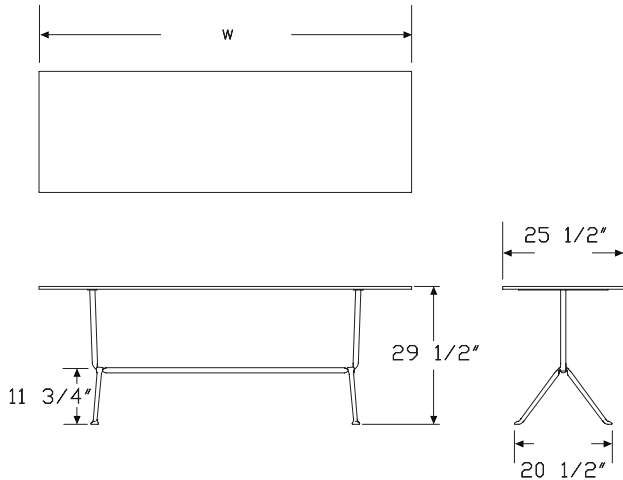
Description

This table has a wrought iron frame that is galvanized or painted grey anthracite, and comes with a choice of tops. Walnut and ash tops are 1" thick. Ardesia slate and Carrara marble tops are 3/4" thick. Table is 29 1/2" high.

Notes

Dimensions are nominal.

Dimensions



Specification Information

Step 1.

MGQ70.F [A]

Step 2. Size

A 63"L x 25.5"W x 29.5" H [A]

B 78.75"L x 25.5"W x 29.5" H [A]

Prices for Steps 1-2.

MGQ70.F A	\$2770
B	\$3270

Step 3. Frame Finish

GLV galvanized [A]	+\$0
YCB grey anthracite [A]	+\$150

Step 4. Top Finish

For galvanized (GLV)

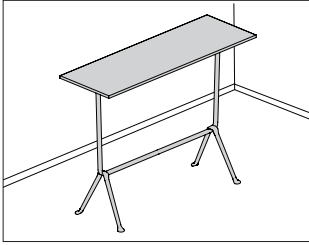
	A	B
YCJ ardesia slate [A]	+\$300	525
CRR Carrara marble [A]	+\$600	740

For grey anthracite (YCB)

	A	B
TTA thermo-treated ash [A]	+\$250	250
YCJ ardesia slate [A]	+\$300	525
WNT walnut [A]	+\$475	625
CRR Carrara marble [A]	+\$600	740

Officina Console Table

MGQ70.



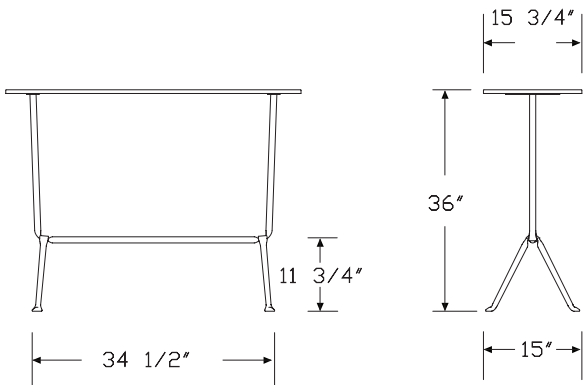
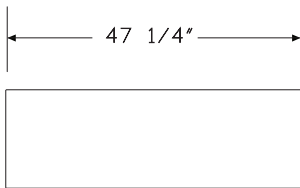
HermanMiller Collection—Tables

Product Information

Description
 This table has a wrought iron frame painted grey anthracite, and comes with a choice of tops. Walnut tops are 1" thick. Ardesia slate tops are 3/4" thick. Table is 36" high.

Notes
 Dimensions are nominal.

Dimensions



Specification Information

Step 1.

MGQ70.C

Step 2. Size

A 47.25"L x 15.75"W x 36" H

Prices for Steps 1-2.

MGQ70.C A \$2025

Step 3. Frame Finish

YCB grey anthracite +\$150

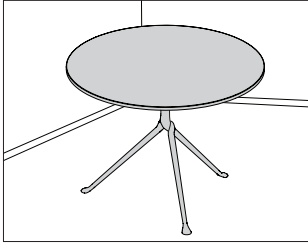
Step 4. Top Finish

YCJ ardesia slate +\$625

WNT walnut +\$250

Officina Pedestal Table

MGQ70.



Product Information

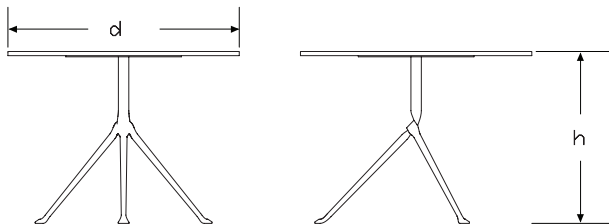
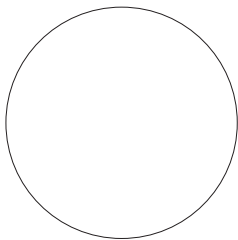
Description

This pedestal table has a wrought iron frame that is galvanized or painted grey anthracite, and comes with a choice of tops. Grey anthracite top is 0.66" thick steel, electro-galvanized and painted. Walnut and ash tops are 1" thick. Ardesia slate and Carrara marble tops are 3/4" thick. Natural beech plywood is 1/4" thick. Available in 2 heights: 29 1/2" high or 22" high.

Notes

Dimensions are nominal.

Dimensions



Specification Information

Step 1.

MGQ70. A

Step 2. Base

P pedestal A

Step 3. Size

A 39.5" D x 29.5" H A

B 31.5" D x 29.5" H A

C 21.75" D x 29.5" H A

D 16.5" D x 22" H A

Prices for Steps 1-3.

	A	B	C	D
MGQ70.	P \$2475	2169	1230	
1185				

Step 4. Frame Finish

GLV galvanized A +\$0

YCB grey anthracite A +\$75

Step 5. Top Finish

For 39.5" D x 29.5" H (A) with galvanized (GLV)

YCB grey anthracite A +\$0

YCJ ardesia slate A +\$500

CRR Carrara marble A +\$1050

For 31.5" D x 29.5" H (B) with galvanized (GLV)

YCB grey anthracite A +\$0

YCJ ardesia slate A +\$400

CRR Carrara marble A +\$600

YNC natural beech A -\$400

For 21.75" D x 29.5" H (C) or 16.5" D x 22" H (D) with galvanized (GLV)

YNC natural beech A -\$80

For 39.5" D x 29.5" H (A) with grey anthracite (YCB)

YCB grey anthracite A +\$0

TTA thermo-treated ash A +\$300

YCJ ardesia slate A +\$500

WNT walnut A +\$530

CRR Carrara marble A +\$1050

Officina Pedestal Table *continued*

For 31.5" D x 29.5" H (B) with grey anthracite (YCB)

YCB	grey anthracite A	+\$0
TTA	thermo-treated ash A	+\$75
WNT	walnut A	+\$150
YNC	natural beech A	-\$400

For 21.75" D x 29.5" H (C) with grey anthracite (YCB)

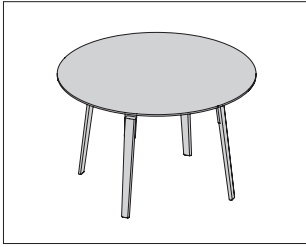
YCB	grey anthracite A	+\$0
TTA	thermo-treated ash A	+\$50
WNT	walnut A	+\$100
YNC	natural beech A	-\$80

For 16.5" D x 22" H (D) with grey anthracite (YCB)

YCB	grey anthracite A	+\$0
TTA	thermo-treated ash A	+\$0
WNT	walnut A	+\$0
YNC	natural beech A	-\$100

Steelwood Table

MGS70.



Product Information

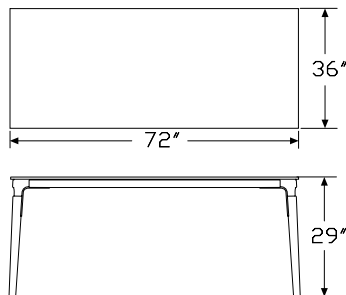
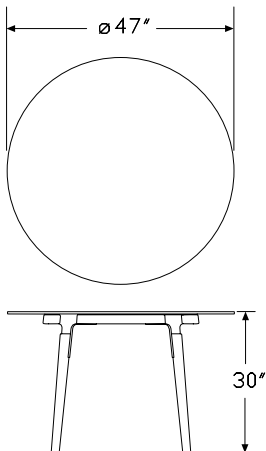
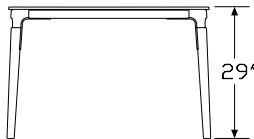
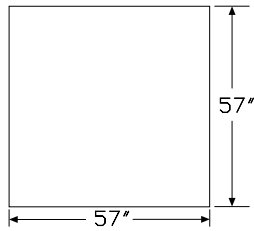
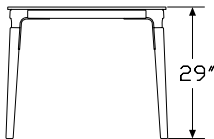
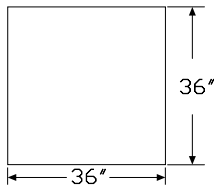
Description

This table comes in a square, round, or rectangular shape. The frame is solid beech, available in natural or painted. The top is high pressure laminate. The steel plate joints are painted in epoxy resin.

Notes

Table thickness is 7/8".

Dimensions



Specification Information

Step 1.

MGS70. A

Step 2. Shape

S3636 square, 36" x 36" A

S5757 square, 57" x 57" A

R round A

T rectangular A

Prices for Steps 1-2.

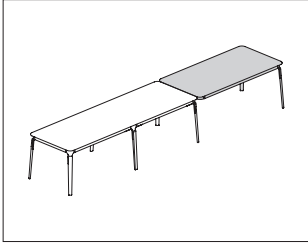
MGS70.S3636	\$1544
S5757	\$2394
R	\$1918
T	\$2147

Step 3. Frame/Top Finish

		S3636	S5757	R	T
YMH	black <input type="checkbox"/> A	+\$0	0	0	0
YMJ	white <input type="checkbox"/> A	+\$513	711	1225	1001
YMG	natural beech frame/white top <input type="checkbox"/> A	+\$513	711	1225	1001

Steelwood Table System

MG572.



HermanMiller Collection—Tables

Product Information

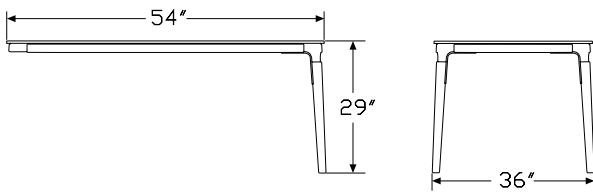
Description

This table system extension is an intermediate module that attaches to the table system basic module. It comes with a solid beech frame, available in natural or painted. The top is high pressure laminate. Steel plate joints are painted in epoxy resin.

Notes

Order Magis Steelwood table system (MG571.) basic module separately.

Dimensions



Specification Information

Step 1.

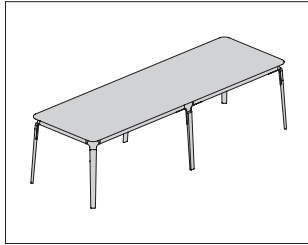
MG572. A \$1514

Step 2. Frame/Top Finish

YMH black A +\$0
YMJ white A +\$767
YMG natural beech frame/white top A +\$767

Steelwood Extending Table

MGS71.



Product Information

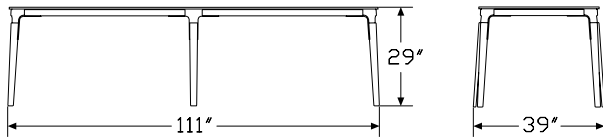
Description

This table system is a basic module with a solid beech frame, available in natural or painted. The top is high pressure laminate. Steel plate joints are painted in epoxy resin.

Notes

To extend the table system, order Magis Steelwood table system extension (MGS72.) separately.

Dimensions



Specification Information

Step 1.

MGS71. A \$3202

Step 2. Frame/Top Finish

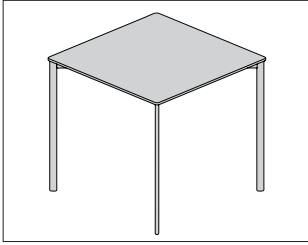
YMH black A +\$0

YMJ white A +\$1468

YMG natural beech frame/white top A +\$1468

Striped Tavolo

MGW70.



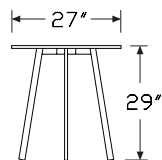
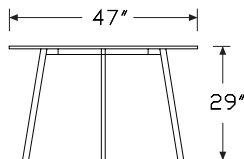
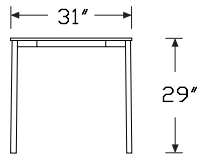
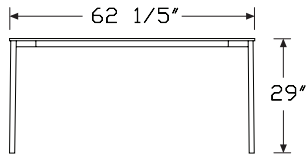
HermanMiller Collection—Tables

Product Information

Description

This table has a steel tube frame, cathodically treated and painted in polyester powder. Top is 1/2" thick and finished in high-pressure laminate. It comes in 5 styles. Suitable for outdoor use.

Dimensions



Specification Information

Step 1.

MGW70.

Step 2. Size

- LRE** large rectangular table
- SRE** large square table
- LRO** large round table
- SRO** small round table

Prices for Steps 1-2.

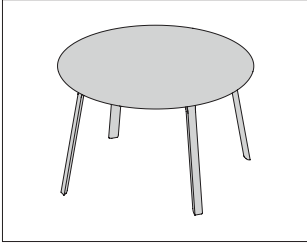
MGW70.LRE	\$1442
SRE	\$1051
LRO	\$1854
SRO	\$1030

Step 3. Top/Base Finish

YMJ white <input type="checkbox"/>	+\$650
YMH black <input type="checkbox"/>	+\$0

Table First

MGF70.



Product Information

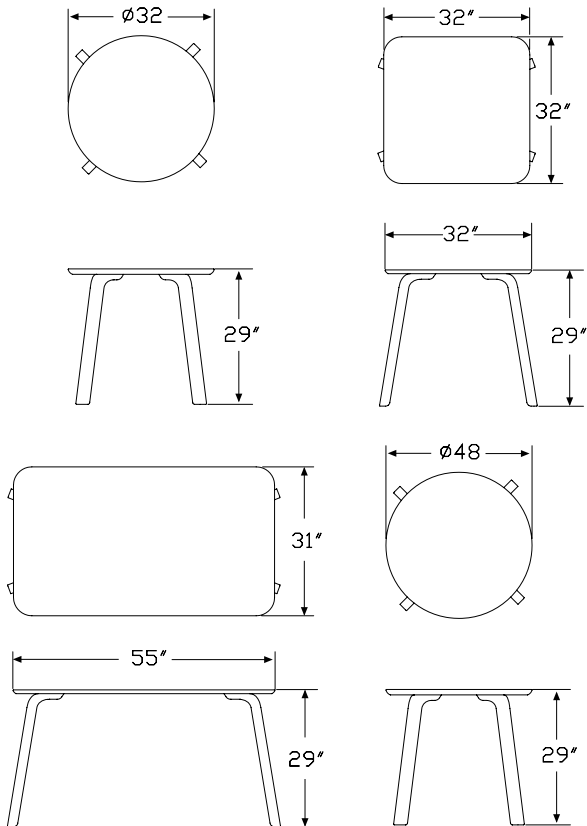
Description

The shape of this table is available in round, square, or rectangular. The table top is painted medium-density fiberboard. Legs are made from polypropylene with glass fibre added.

Notes

Top thickness is 1 1/8".

Dimensions



Specification Information

Step 1.

MGF70. [A]

Step 2. Size/Shape

- 3200** 32" round [A]
- 3232** 32" x 32" square [A]
- 3155** 31" x 55" rectangular [A]
- 4800** 48" round [A]

Prices for Steps 1-2.

MGF70.3200	\$827
3232	\$944
3155	\$1184
4800	\$1339

Step 3. Leg Finish

YGC black [A]	+\$0
YGM white [A]	+\$0

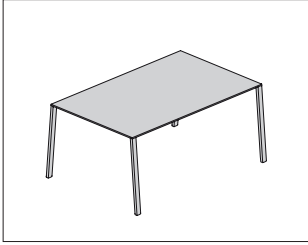
Step 4. Top Finish

For black (YGC)

YGC black [A]	+\$0
----------------------	------

For white (YGM)

YGM white [A]	+\$0
----------------------	------



Product Information

Description

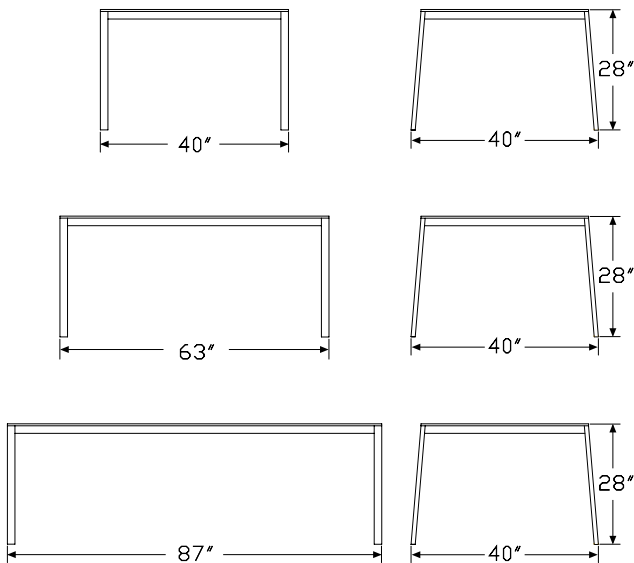
The frame of this table is an anodised aluminum tube. Joints are die-cast aluminum, available polished or painted. The top is high pressure laminate and comes in black or white. The base finish is available in polished aluminum and black.

Notes

Table thickness is 1/2".

Black (YHB) base with black (YHB) top combination is suitable for outdoor use.

Dimensions



Specification Information

Step 1.

MGE70. [A]

Step 2. Size

- 4040** 40" x 40" [A]
- 6340** 63" x 40" [A]
- 8740** 87" x 40" [A]

Prices for Steps 1-2.

MGE70.4040	\$1839
6340	\$2155
8740	\$2798

Step 3. Base Finish

- YHQ** polished aluminum [A] +\$0
- YHB** black [A] +\$0

Step 4. Top Finish

For 40" x 40" (4040) with polished aluminum (YHQ)

- YHB** black [A] +\$0
- YHP** white [A] +\$397

Step 5. Top Finish

For 63" x 40" (6340) with polished aluminum (YHQ)

- YHB** black [A] +\$0
- YHP** white [A] +\$554

Step 6. Top Finish

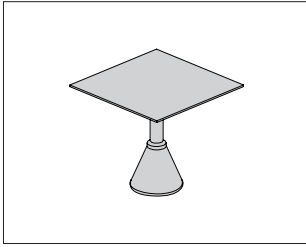
For 87" x 40" (8740) with polished aluminum (YHQ)

- YHB** black [A] +\$0
- YHP** white [A] +\$1413

Step 7. Top Finish

For black (YHB)

- YHB** black [A] +\$0



Product Information

Description

The shape of this table is available in round or square with a concrete base. The frame is an anodised aluminum tube. The top is high pressure laminate. Finishes for the top and base are available in polished aluminum and black.

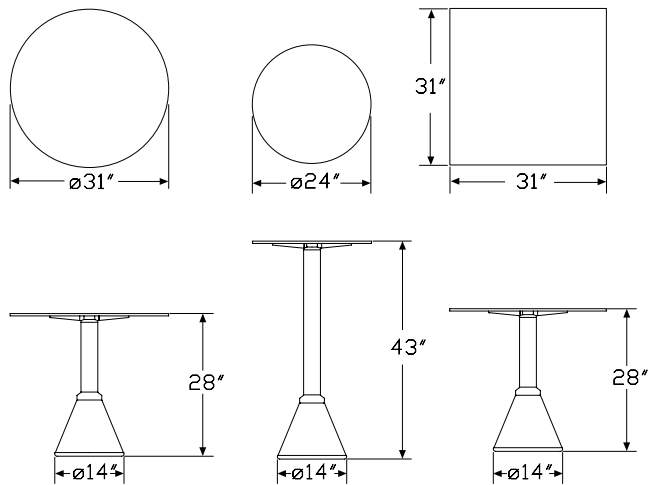
Notes

Table thickness is 1/2".

Table is suitable for outdoor use.

Polished aluminum (YHQ) base finish is NOT suitable for outdoor use.

Dimensions



Specification Information

Step 1.

MGE80. [A]

Step 2. Shape and Height

R28 round 28" high [A]

R43 round 43" high [A]

S28 square 28" high [A]

Prices for Steps 1-2.

MGE80.R28	\$1240
R43	\$1130
S28	\$1191

Step 3. Base Finish

YHQ polished aluminum [A] +\$0

YHB black [A] +\$0

Step 4. Top Finish

For polished aluminum (YHQ)

		R28	R43	S28
YHV	white with black edge [A]	+\$0	0	0
YHP	white [A]	+\$199	117	223

For black (YHB)

		R28	R43	S28
YHB	black [A]	+\$0	11	0

Tavolo XZ3 Table

MGT70.



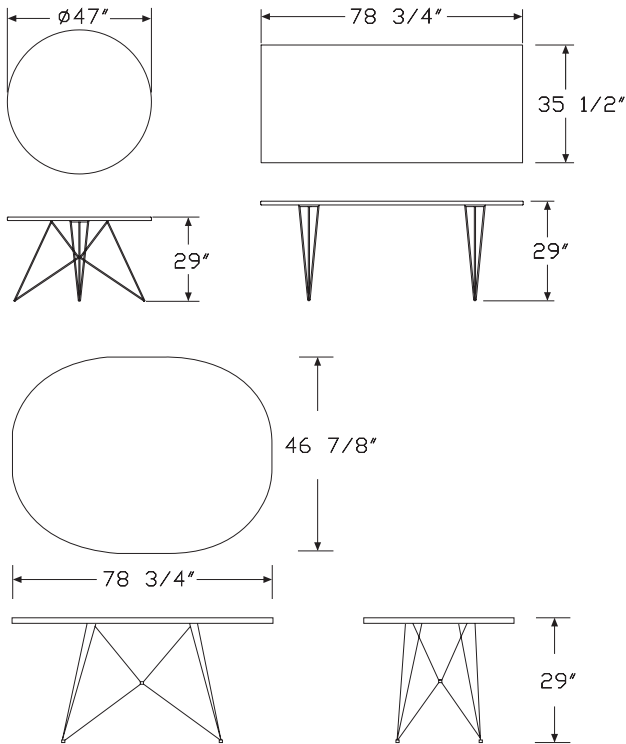
HermanMiller Collection-Tables

Product Information

Description

This table is available in a round, oval, or rectangular shape with top in Carrara marble, solid American walnut, or 1 1/8" thick painted MDF. The steel rod leg finish comes in chrome, painted white or black, or coated gold or copper.

Dimensions



Specification Information

Step 1.

MGT70.

Step 2. Shape

- R** round
- T** rectangular
- V** oval

Prices for Steps 1-2.

MGT70.R	\$1083
T	\$1111
V	\$1950

Step 3. Top Finish

For round (R)

WNT walnut <input type="checkbox"/>	+\$1847
YPC white	+\$0
YPD black <input type="checkbox"/>	+\$0
CRR Carrara marble <input type="checkbox"/>	+\$2837

For rectangular (T) or oval (V)

YPC white <input type="checkbox"/>	+\$0
YPD black <input type="checkbox"/>	+\$0

Step 4. Leg Finish

For rectangular (T) or oval (V)

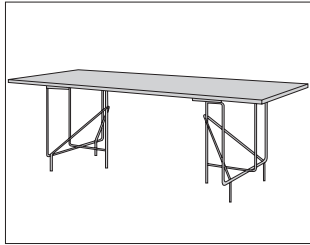
YPB chrome <input type="checkbox"/>	+\$0
YPC white <input type="checkbox"/>	+\$0
YPD black <input type="checkbox"/>	+\$0

For round (R)

YPB chrome	+\$0
YPC white <input type="checkbox"/>	+\$0
YPD black <input type="checkbox"/>	+\$0
YDJ gold <input type="checkbox"/>	+\$150
YDH copper <input type="checkbox"/>	+\$150

Traffic Table

TV275



Product Information

Description

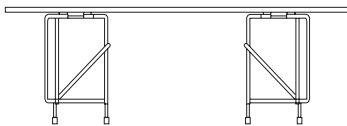
This table has a steel rod frame painted in polyester powder with top in painted MDF.

Dimensions

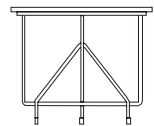


86 5/8"

35 1/2"



29 1/4"



Specification Information

Step 1.

TV2750 [A] \$2030

Step 2. Frame Finish

5108 white [A] +\$0

5013 black [A] +\$0

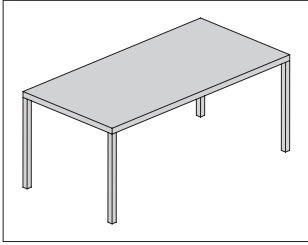
Step 3. Top Finish

8500 white [A] +\$0

8510 black [A] +\$0

Primo Table

MC14T.

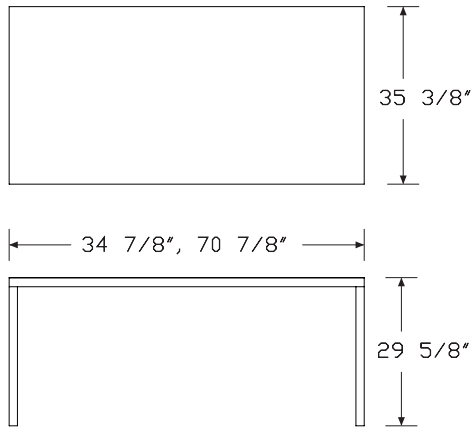


HermanMiller Collection—Tables

Product Information

Description
This table has a solid wood frame with a choice of veneer or FENIX NTM® top.

Dimensions



Specification Information

Step 1.

MC14T. A

Step 2. Size

3535 35"W x 35"L A

3571 35"W x 71"L A

Prices for Steps 1-2.

MC14T. 3535	\$2425
3571	\$2950

Step 3. Frame/Top Finish

		3535	3571
YCK	beech frame, beech veneer top A	+\$0	0
YOO	oak frame, oak veneer top A	+\$300	650
YCS	beech frame, FENIX NTM® top A	+\$375	1025
YOF	oak frame, FENIX NTM® top A	+\$525	1125

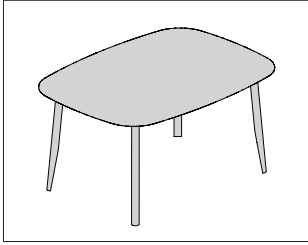
Step 4. Fenix NTM® Top Finish

For beech frame, FENIX NTM® top (YCS) or oak frame, FENIX NTM® top (YOF)

YBA	castoro ottawa A	+\$0
YBE	grigio Londra A	+\$0
YCA	grigio bromo A	+\$0
YCE	nero ingo A	+\$0

Branca Table

MGR70.

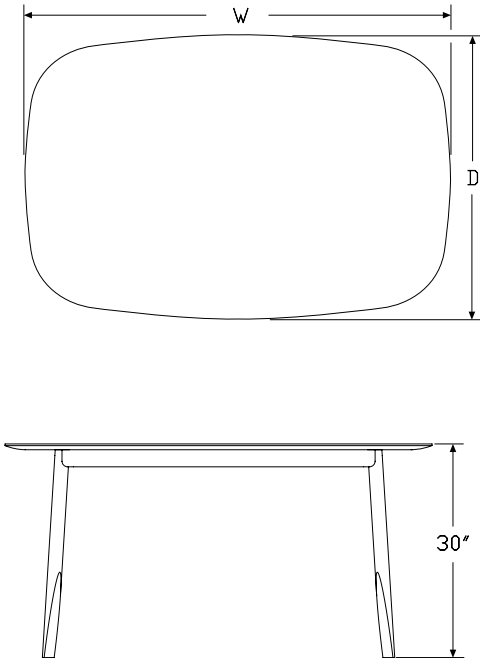


Product Information

Description

The top of this table is available in natural ash wood, or medium-density fiberboard with an anti scratch white finish. The base is made of solid ash.

Dimensions



Specification Information

Step 1.

MGR70. [A]

Step 2. Size

4359 43" x 59" [A]

4371 43" x 71" [A]

Prices for Steps 1-2.

MGR70.4359	\$3295
4371	\$3550

Step 3. Frame Finish

YRF natural wax ash [A] +\$0

Step 4. Top Finish

For 43" x 59" (4359) with natural wax ash (YRF)

YRJ mdf white lacquered [A] +\$0

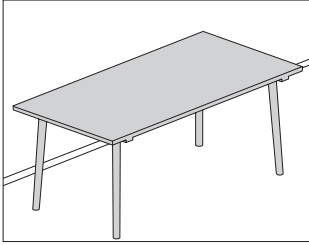
YQC natural ash [A] +\$300

For 43" x 71" (4371) with natural wax ash (YRF)

YRJ mdf white lacquered [A] +\$0

Facile Table

MC13T.

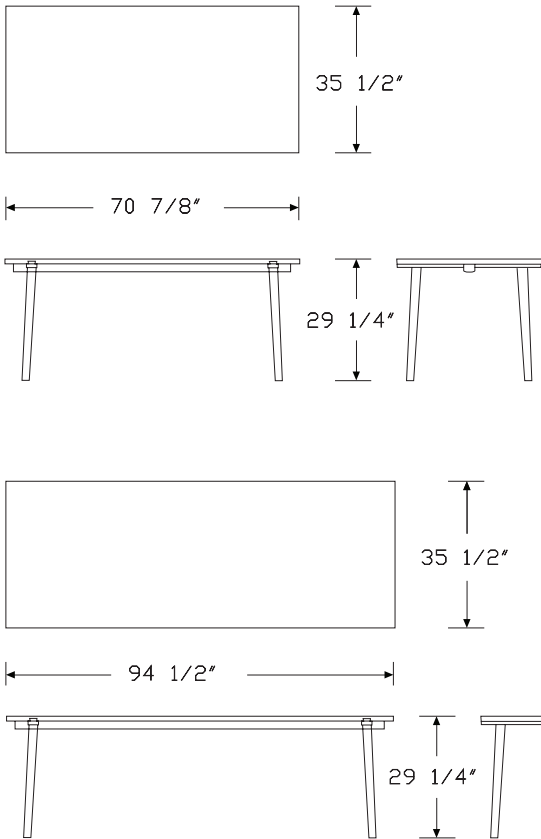


HermanMiller Collection—Tables

Product Information

Description
 This table has a solid ash frame, available with a natural or black anilin finish.

Dimensions



Specification Information

Step 1.

MC13T. [A]

Step 2. Size

- 71** 71" table [A]
- 95** 95" table [A]

Prices for Steps 1-2.

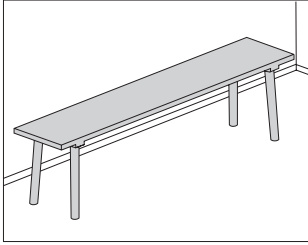
MC13T. 71	\$4600
95	\$5460

Step 3. Finish

	71	95
YQC natural ash [A]	+\$0	0
YQB black anilin ash [A]	+\$530	850

Facile Bench

MC13B.

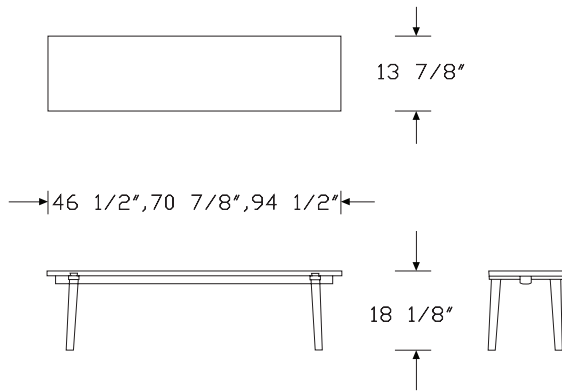


Product Information

Description

This table has a solid ash frame, available with a natural or black anilin finish.

Dimensions



Specification Information

Step 1.

MC13B. A

Step 2. Size

- 46** 46.5" bench A
- 71** 71" bench A
- 95** 95" bench A

Prices for Steps 1-2.

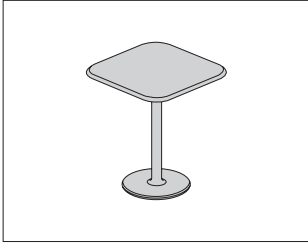
MC13B.46	\$1850
71	\$2080
95	\$2500

Step 3. Finish

		46	71	95
YQC	natural ash <input type="checkbox"/> A	+\$0	0	0
YQB	black anilin ash <input type="checkbox"/> A	+\$160	210	75

Solo Table

MGZ70.

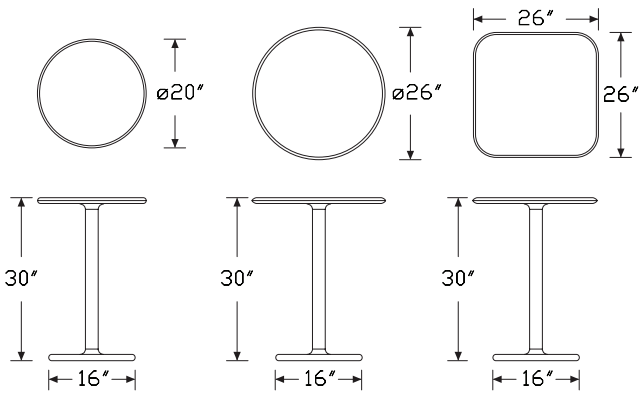


HermanMiller Collection—Tables

Product Information

Description
 This table is made of natural ash or oak. Available in 3 sizes with several color options in ash wood.

Dimensions



Specification Information

Step 1.

MGZ70.

Step 2. Size

- 2030** 20" diameter x 30" high
- 2630** 26" diameter x 30" high
- 2844** 26" wide x 26" long x 30" high

Prices for Steps 1-2.

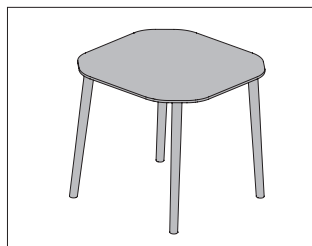
MGZ70.2030	\$1520
2630	\$1623
2844	\$1623

Step 3. Finish

ZQ1	dark red anilin ash <input type="checkbox"/>	+\$0
ZQ2	natural ash <input type="checkbox"/>	+\$0
ZQ3	anilin ash blue/black <input type="checkbox"/>	+\$0
ZQ4	anilin ash white <input type="checkbox"/>	+\$0
ZQ5	anilin ash neon blue <input type="checkbox"/>	+\$0
ZQ6	anilin ash turquoise <input type="checkbox"/>	+\$0
ZQ7	natural oak waxed <input type="checkbox"/>	+\$425

Tronco Table

MGK70.

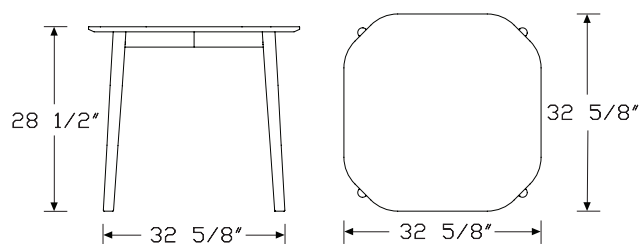


Product Information

Description

This wood table has a top constructed of solid wood strips and chamfered at the edges to mimic the silhouette of the Tronco chair. Table is available in a variety of finishes.

Dimensions



Specification Information

Step 1.

MGK70. A \$1479

Step 2. Frame

YSA ash A +\$0

Step 3. Finish

CNS chestnut stained A +\$0

WNS walnut stained A +\$0

YBC black A +\$0

YBP white A +\$0

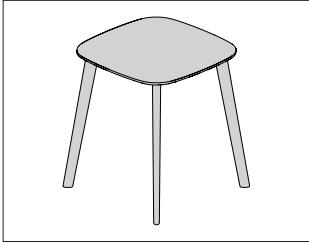
YNL natural A +\$0

YRL red A +\$0

HermanMiller Collection-Tables

Osso Table

MGJ70.



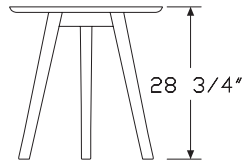
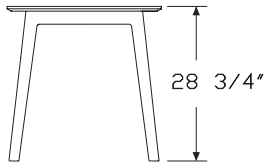
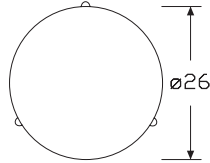
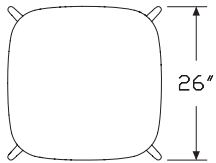
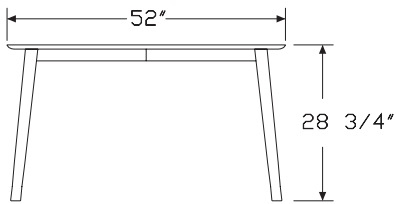
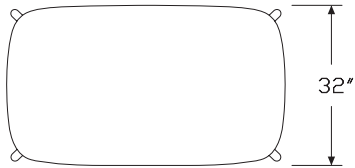
HermanMiller Collection—Tables

Product Information

Description

This is made of natural ash or oak. Available with several color options in ash wood.

Dimensions



Specification Information

Step 1.

MGJ70. A

Step 2. Size

2600 26" diameter A

2626 26" wide x 26" long A

3252 32" wide x 52" long A

Prices for Steps 1-2.

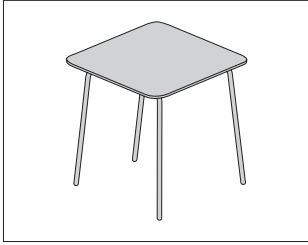
MGJ70. 2600	\$1329
2626	\$1638
3252	\$2339

Step 3. Finish

YSB black wax ash A	+\$0
YSC blue wax ash A	+\$0
YSD green wax ash A	+\$0
YSF dark grey wax ash A	+\$0
YSG natural wax ash A	+\$0
YSH pink wax ash A	+\$0
YSJ white wax ash A	+\$0
YSL natural wax oak A	+\$390

Forcina Table

MC16T.



Product Information

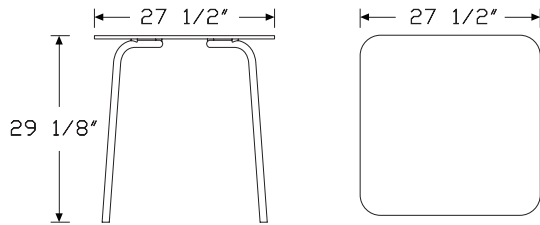
Description

This table has an oak, ash, or robinia top. Robinia finish is suitable for outdoor use. Ships assembled.

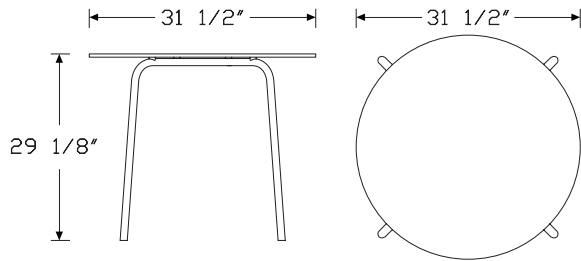
Notes

Table cannot stack.

Dimensions



Square Table



Round Table

Specification Information

Step 1.

MC16T.

Step 2. Size

28S	28" square <input type="checkbox"/> A	+\$1875
32R	32" round <input type="checkbox"/> A	+\$1875

Step 3. Frame Finish

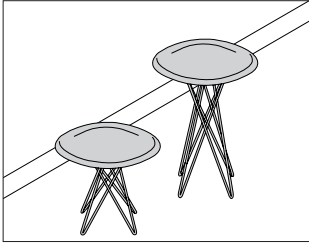
A	black stainless steel	+\$0
N	brushed stainless steel <input type="checkbox"/> A	+\$275

Step 4. Top Finish

YQB	black anilin ash <input type="checkbox"/> A	+\$0
YQC	natural ash	+\$0
YFC	natural oak <input type="checkbox"/> A	+\$175
YGS	robinia	+\$175

Pizza Table

MGG90.

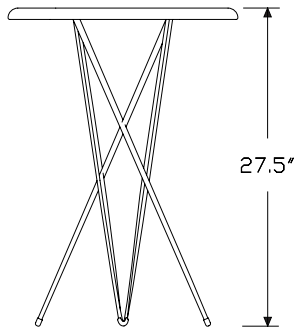
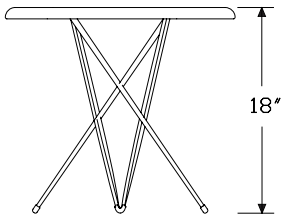
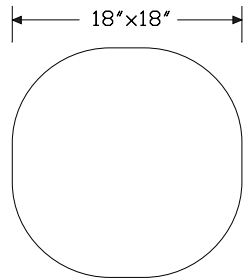


HermanMiller Collection—Tables

Product Information

Description
 This table comes in low and high heights. The frame is painted steel rod, and the top is standard injection molded glossy ABS.

Dimensions



Specification Information

Step 1.

MGG90. A

Step 2. Height

L low A

H high A

Prices for Steps 1-2.

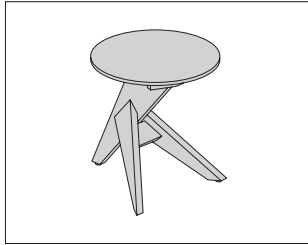
MGG90.L	\$318
H	\$353

Step 3. Finish

YCR glossy brown <input type="checkbox"/> A	+ \$0
YCN glossy white <input type="checkbox"/> A	+ \$0

Medici Table

MGV70.

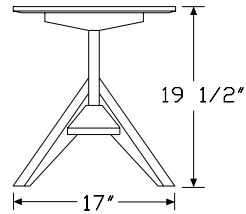
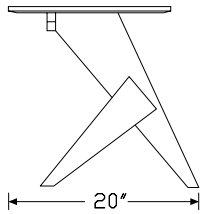


Product Information

Description

This solid wood table is available in ash, walnut and Douglas fir.

Dimensions



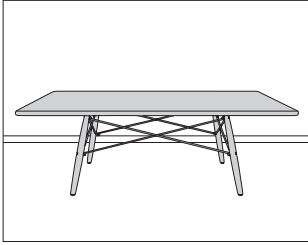
Specification Information

Step 1.

MGV70. A \$1040

Step 2. Frame Finish

ZQF yellow anilin ash A +\$0
ZQJ grey anilin ash A +\$0
ZPA red anilin ash A +\$0
ZPB black anilin ash A +\$0
ZQG natural walnut waxed A +\$225



Product Information

Description

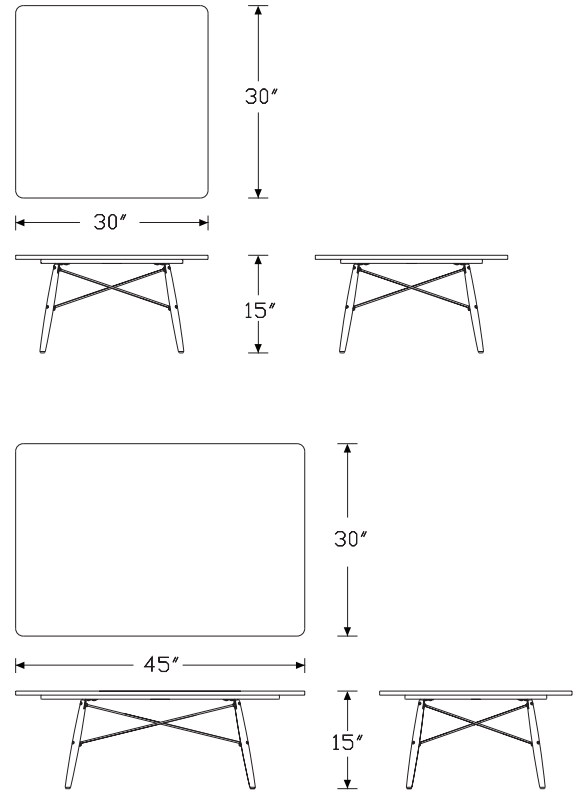
This 15"-high table has a 5/8"-thick veneer surface or a stone top. The dowel base has powder-coated or chrome wire and non-adjustable nylon glides. Ships fully assembled except when specifying stone top.

Notes

Stone top actual thickness is 5/9". Illustration dimension is nominal.
 Ebony (EN) and walnut (OU) dowel legs are stained ash wood with black glides.
 Natural maple (UL) and white ash (A2) dowel legs have white glides.
 Natural characteristics in stone cause variations in hues, veins, crystals, and distinctive marks. These variations and subtle changes seen as the stone ages are values associated with natural materials. No two tabletops are identically the same; variations in both color and veining are to be expected. Over time the stone may fade in color, staining of the surface may appear, and surface cracks-if not already visible at time of purchase-may appear. Small cracks do not affect the structure of the tabletop.
 Santos palisander veneer is celebrated for its unique grain and color variations. Similar products ordered in multiples or dissimilar products ordered separately should be expected to have variation in both grain and color characteristics; no two products will look exactly alike.

HermanMiller Collection—Occasional Tables

Dimensions



Specification Information

Step 1.

ECT A

Step 2. Size

3030 30" x 30" A

3045 30" x 45" A

Step 3. Top Material

V veneer A

S stone A

Prices for Steps 1-3.

ECT3030 V	\$1054
S	\$2199

ECT3045 V	\$1206
S	\$2878

Step 4. Top Finish

For veneer (V)

	3030	3045
A2 white ash <input type="checkbox"/> A	+\$30	0
EN ebony <input type="checkbox"/> A	+\$30	0
OU walnut <input type="checkbox"/> A	+\$30	50
9N santos palisander <input type="checkbox"/> A	+\$550	730

For stone (S)

CRR Carrara marble <input type="checkbox"/> A	+\$0
--	------

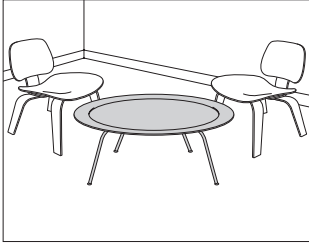
Step 5. Dowel Finish

UL natural maple <input type="checkbox"/> A	+\$0
A2 white ash <input type="checkbox"/> A	+\$30
EN ebony <input type="checkbox"/> A	+\$30
OU walnut <input type="checkbox"/> A	+\$30

Step 6. Wire Finish

91 white <input type="checkbox"/> A	+\$0
BK black <input type="checkbox"/> A	+\$0
47 trivalent chrome <input type="checkbox"/> A	+\$20

Eames® Molded Plywood Coffee Table Metal Base CTM.



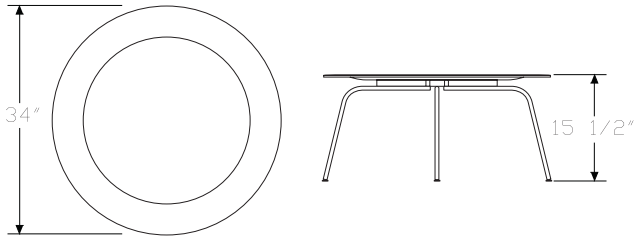
Product Information

Description
 This 15½"-high molded plywood table has natural face veneers and hardwood inner plies. It has a 5-ply, 34"-diameter top and a 4-leg metal base with self-leveling nylon glides. Shipped knocked down.

Notes

Ebony (EN) option is stain on ash veneer; inner plies are not as visible.
 Black (BK) base finish has black glides. Trivalent chrome (47) base finish has white glides.

Dimensions



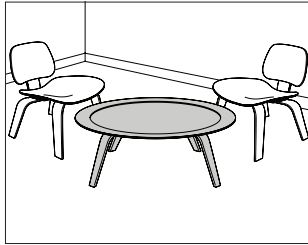
HermanMiller Collection—Occasional Tables

Specification Information

Step 1.		
CTM.	<input type="checkbox"/> A	\$1180
Step 2. Top Finish		
OU	walnut <input type="checkbox"/> A	+\$0
EN	ebony <input type="checkbox"/> A	+\$50
A2	white ash <input type="checkbox"/> A	+\$50
Step 3. Base Finish		
BK	black <input type="checkbox"/> A	+\$0
47	trivalent chrome <input type="checkbox"/> A	+\$20

Eames® Molded Plywood Coffee Table Wood Base

CTW.



Product Information

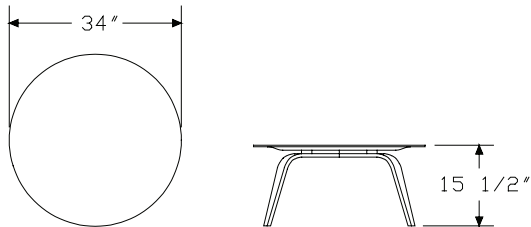
Description

This 15 1/2"-high molded plywood table has natural face veneers and hardwood inner plies. It has a 5-ply, 34"-diameter top and an 8-ply 4-leg base. Shipped knocked down.

Notes

Ebony (EN) option is stain on ash veneer; inner plies are not as visible.

Dimensions



Specification Information

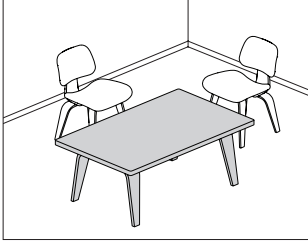
Step 1.

CTW. [A] \$1343

Step 2. Finish

EN	ebony [A]	+\$115
OU	walnut [A]	+\$0
A2	white ash [A]	+\$115

Eames® Rectangular Coffee Table CTW1.



HermanMiller Collection—Occasional Tables

Product Information

Description

This 14"-high table has a laminate top with veneer edge or a veneer top and edge with curved molded plywood veneer legs. Shipped knocked down.

Notes

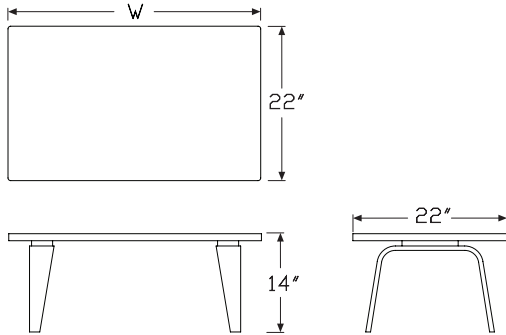
For white (91) laminate top option, veneer edge is walnut (OU).

For studio white (98) laminate top option, veneer edge is white ash (A2).

For black (BK) laminate top option, veneer edge is walnut (OU).

Ebony (EN) option is stain on ash veneer; inner plies are not as visible.

Dimensions



Specification Information

Step 1.

CTW1. [A]

Step 2. Depth/Width

2236 22" deep x 36" wide [A]

2248 22" deep x 48" wide [A]

Step 3. Surface Material

L laminate with veneer edge [A]

W veneer with veneer edge [A]

Prices for Steps 1-3.

	L	W
CTW1. 2236	\$1094	1164
2248	\$1141	1281

Step 4. Top Finish

For laminate with veneer edge (L)

91 white [A] +\$0

98 studio white [A] +\$0

BK black [A] +\$0

For veneer with veneer edge (W)

A2 white ash [A] +\$0

EN ebony [A] +\$0

OU walnut [A] +\$0

Step 5. Leg Finish

For white (91), black (BK), or walnut (OU)

OU walnut [A] +\$0

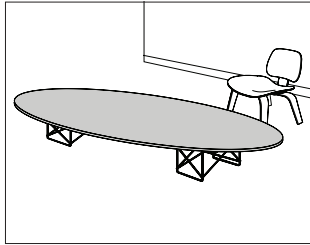
For white ash (A2) or studio white (98)

A2 white ash [A] +\$0

For ebony (EN)

EN ebony [A] +\$0

Eames® Wire Base Elliptical Table ETRT.

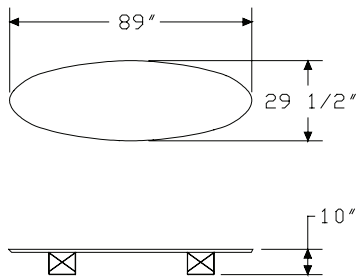


Product Information

Description

This oval table has a 7/8"-thick laminate top, a 13-ply Baltic birch core and edge, and either a powder-coated or chrome wire base.

Dimensions



Specification Information

Step 1.

ETRT. [A] \$1260

Step 2. Top Finish

91 white +\$0
98 studio white +\$0
BK black [A] +\$0

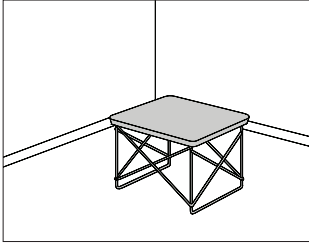
Step 3. Base Finish

47 trivalent chrome +\$0
91 white +\$0
98 studio white +\$0
BK black [A] +\$0

HermanMiller Collection—Occasional Tables

Eames® Wire Base Low Table

LTRT.



HermanMiller Collection—Occasional Tables

Product Information

Description

This table has a 7/8"-thick laminate or veneer surface with 13-ply Baltic birch core, or 3/4"-thick stone. The base is either powder-coated or chrome wire.

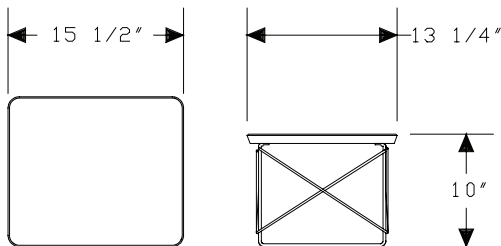
Notes

Stone has a honed finish and knife edge similar in profile to the Baltic birch core edge.

Natural characteristics in stone cause variations in hues, veins, crystals, and distinctive marks. These variations and subtle changes seen as the stone ages are values associated with natural materials. No two tabletops are identically the same; variations in both color and veining are to be expected. Over time the stone may fade in color, staining of the surface may appear, and surface cracks-if not already visible at time of purchase-may appear. Small cracks do not affect the structure of the tabletop.

Santos palisander veneer is celebrated for its unique grain and color variations. Similar products ordered in multiples or dissimilar products ordered separately should be expected to have variation in both grain and color characteristics; no two products will look exactly alike.

Dimensions



Specification Information

Step 1.

LTRT. A \$228

Step 2. Top Finish

Solid-Color Laminate

91	white	+\$0
98	studio white	+\$0
BK	black A	+\$0

Wood Veneer

OU	walnut A	+\$100
A2	white ash A	+\$110
9N	santos palisander A	+\$255

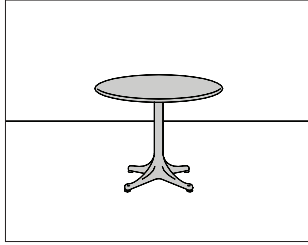
Stone

5U	georgia grey marble A	+\$1359
HR	wisconsin black marble A	+\$1419
CRR	Carrara marble A	+\$1289

Step 3. Base Finish

91	white	+\$0
98	studio white	+\$0
BK	black A	+\$0
47	trivalent chrome	+\$20

Nelson™ Pedestal Table



- 5451L
- 5451S
- 5451W
- 5452L
- 5452S
- 5452W
- 5453L
- 5453S
- 5453W
- 5454L
- 5454S
- 5454W
- 5455L
- 5455S
- 5455W

Product Information

Description

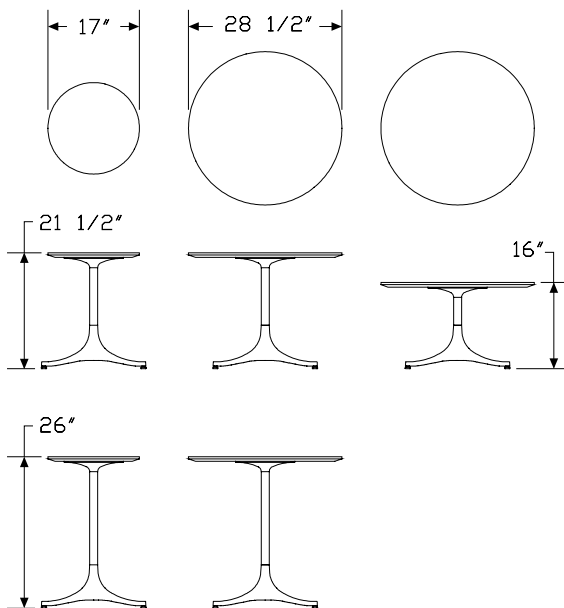
This round table has either a 7/8"-thick laminate top with a veneer edge, a veneer top and edge, or a 3/4"-thick stone top with a honed finish. Each top has a knife profile edge. Base is aluminum with adjustable glides.

Notes

Natural characteristics in stone cause variations in hues, veins, crystals, and distinctive marks. These variations and subtle changes seen as the stone ages are values associated with natural materials. No two tabletops are identically the same; variations in both color and veining are to be expected. Over time the stone may fade in color, staining of the surface may appear, and surface cracks-if not already visible at time of purchase-may appear. Small cracks do not affect the structure of the tabletop.

Santos palisander veneer is celebrated for its unique grain and color variations. Similar products ordered in multiples or dissimilar products ordered separately should be expected to have variation in both grain and color characteristics; no two products will look exactly alike.

Dimensions



Specification Information

Step 1.

545 A

Step 2. Height/Diameter

- 1 21 1/2" high x 17" diameter A
- 5 26" high x 17" diameter A
- 2 16" high x 28 1/2" diameter A
- 3 21 1/2" high x 28 1/2" diameter A
- 4 26" high x 28 1/2" diameter A

Step 3. Surface Material

- L laminate top A
- W veneer top A
- S stone top A

Prices for Steps 1-3.

5451L	\$832
5451W	\$963
5451S	\$2320
5455L	\$832
5455W	\$963
5455S	\$2320
5452L	\$995
5452W	\$1223
5452S	\$3700
5453L	\$995
5453W	\$1223
5453S	\$3700
5454L	\$995
5454W	\$1223
5454S	\$3700

Step 4. Base Finish

91 white <input type="checkbox"/> A	+\$0
98 studio white <input type="checkbox"/> A	+\$0
BK black <input type="checkbox"/> A	+\$0
L polished aluminum <input type="checkbox"/> A	+\$0

Step 5. Top Finish

For laminate top (L)

91 white <input type="checkbox"/> A	+\$0
98 studio white <input type="checkbox"/> A	+\$0
BK black <input type="checkbox"/> A	+\$0

Nelson™ Pedestal Table *continued*

HermanMiller Collection—Occasional Tables

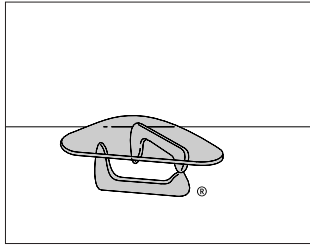
		1	5	2	3	4
<i>For veneer top (W)</i>						
OU	walnut <input type="checkbox"/> A	+\$0	0	0	0	0
A2	white ash <input type="checkbox"/> A	+\$65	65	95	95	95
9N	santos palisander <input type="checkbox"/> A	+\$215	215	361	361	361
EN	ebony stain on white ash <input type="checkbox"/> A	+\$65	65	95	95	95

		1	5	2	3	4
<i>For stone top (S)</i>						
5U	georgia grey marble <input type="checkbox"/> A	+\$225	225	360	360	360
HR	wisconsin black marble <input type="checkbox"/> A	+\$631	631	1022	1022	1022
CRR	Carrara marble <input type="checkbox"/> A	+\$100	100	285	285	285

Step 6. Edge Band Detail						
<i>For laminate top (L)</i>						
A2	white ash <input type="checkbox"/> A					+\$50
9N	santos palisander <input type="checkbox"/> A					+\$100
OU	walnut <input type="checkbox"/> A					+\$25
UL	natural maple <input type="checkbox"/> A					+\$0

Noguchi® Table

IN50

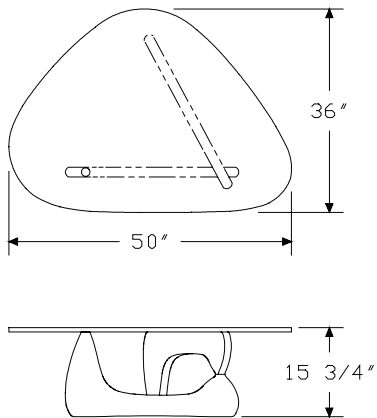


Product Information

Description

This table has a 3/4"-thick plate-glass top and a 2-piece wood base. Isamu Noguchi's signature appears on the edge of the glass top. An oval medallion with his signature and the Herman Miller logo is attached to the underside of the base. A certificate of authenticity is included with each table. Shipped knocked down.

Dimensions



Specification Information

Step 1.

IN50 A \$2171

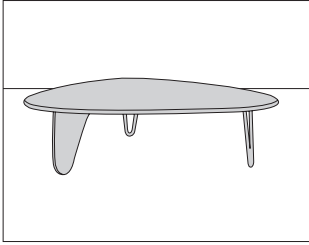
Step 2. Base Finish

E3 noguchi black A +\$50
OU walnut A +\$150
A2 white ash A +\$150

Herman Miller Collection—Occasional Tables

Noguchi® Rudder Table

IN52



Product Information

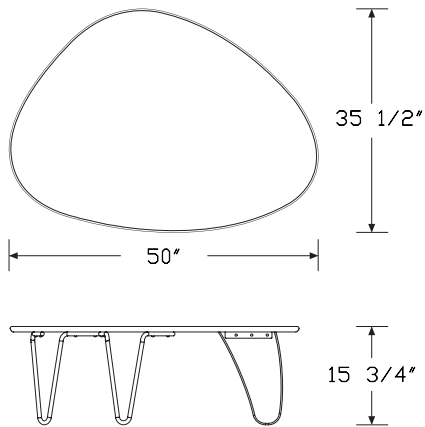
Description

This table has a 7/8"-thick top made from a Baltic birch core with veneer surface and beveled edge. Rudder leg is solid wood with veneer surface; hairpin legs are metal. Shipped knocked down.

Notes

Base finish only refers to the metal hairpin leg portion; rudder leg will follow the same species as the top finish.

Dimensions



Specification Information

Step 1.

IN52 A \$1617

Step 2. Top Finish

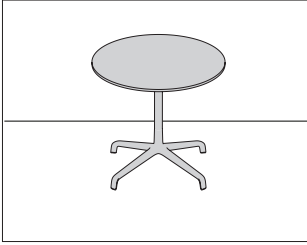
A2 white ash A +\$135

FD ebony on maple A +\$0

OU walnut A +\$135

Step 3. Base Finish

47 trivalent chrome A +\$20



Product Information

Description

This pedestal table comes in 2 heights and several top sizes with a choice of veneer, laminate, stone, or back-painted glass top with modified bullnose edge. Glass top is 1/2" thick and has a satin etch finish. Table has adjustable glides. Shipped knocked down.

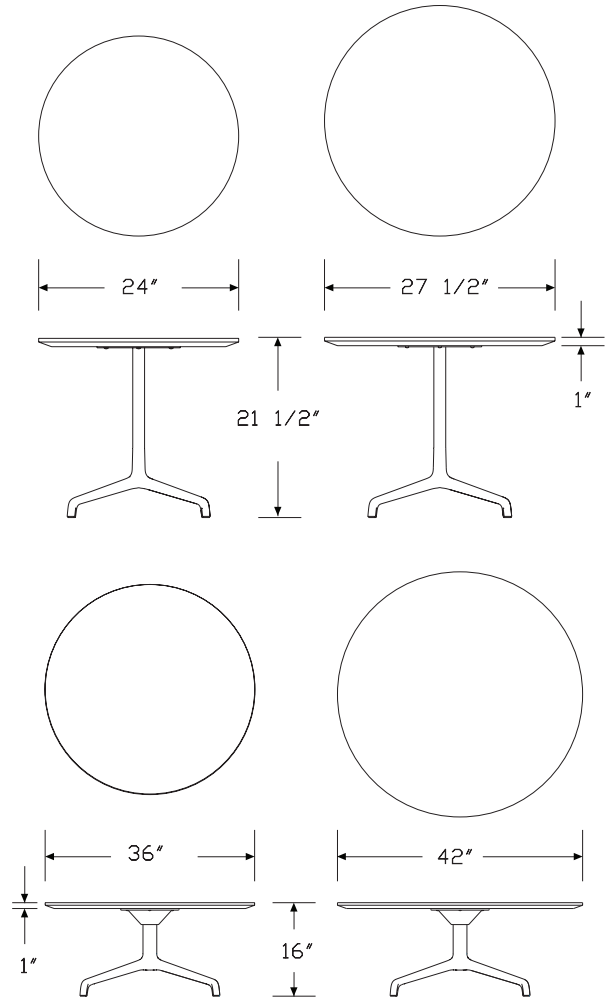
Notes

36" and 42" diameter tables may accommodate USB and power. Single center cutout, no grommet (CC) must be specified.

For power access, order round power module (ET991.) separately.

Santos palisander veneer is celebrated for its unique grain and color variations. Similar products ordered in multiples or dissimilar products ordered separately should be expected to have variation in both grain and color characteristics; no two products will look exactly alike.

Dimensions



Striad® Pedestal Table *continued*

Specification Information

Step 1.

CCL500. [A]

Step 2. Height/Diameter

1636 16" high x 36" diameter [A]

1642 16" high x 42" diameter [A]

2124 21.5" high x 24" diameter [A]

2128 21.5" high x 27.5" diameter [A]

Step 3. Surface Material

W veneer top with veneer edge [A]

G back-painted glass top [A]

L laminate top [A]

S stone top [A]

Step 4. Grommets

For 16" high x 36" diameter (1636) or 16" high x 42" diameter (1642)

NG no grommet [A]

CC single center cutout, no grommet [A]

CG single center cutout, with grommet [A]

For 21.5" high x 24" diameter (2124) or 21.5" high x 27.5" diameter (2128)

NG no grommet [A]

Prices for Steps 1-4.

		NG	CC	CG
CCL500.	1636 W	\$1359	1359	1371
	G	\$2961	3096	3075
	L	\$1080	1091	1104
	S	\$5117	5185	5197
	1642 W	\$1824	1824	1836
	G	\$3843	3978	3956
	L	\$1368	1379	1391
	S	\$6959	7026	7039
	2124 W	\$1109	—	—
	G	\$1897	—	—
	L	\$867	—	—
	S	\$3855	—	—
	2128 W	\$1177	—	—
	G	\$2347	—	—
	L	\$935	—	—
	S	\$4287	—	—

Step 5. Top Finish

For back-painted glass top (G) AND laminate top (L)

		1636	1642	2124	2128
91	white [A]	+\$0	0	0	0
8Q	folkstone grey [A]	+\$0	0	0	0
WN	warm grey neutral [A]	+\$0	0	0	0
BK	black [A]	+\$0	0	0	0

For veneer top with veneer edge (W)

		1636	1642	2124	2128
A2	white ash [A]	+\$0	0	0	0
EN	ebony [A]	+\$11	11	22	22
OU	walnut [A]	+\$11	11	22	22
9N	santos palisander [A]	+\$118	147	253	340

For stone top (S)

		1636	1642	2124	2128
QPL	pearl quartz [A]	+\$0	0	0	0
QCN	concrete quartz [A]	+\$0	0	0	0
CRR	Carrara marble [A]	+\$264	276	200	238
5U	georgia grey marble [A]	+\$302	313	244	276
HR	wisconsin black marble [A]	+\$493	511	671	982

Step 6. Grommet Finish

For 16" high x 36" diameter (1636) or 16" high x 42" diameter (1642) with single center cutout, with grommet (CG)

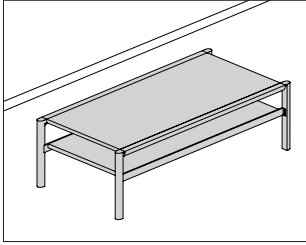
91	white [A]	+\$0
BK	black [A]	+\$0
PA	polished aluminum [A]	+\$0

Step 7. Base Finish

91	white [A]	+\$0
BK	black [A]	+\$0
PA	polished aluminum [A]	+\$0

Brabo Occasional Table

AV3AL
AV3AW
AV3WL
AV3WW

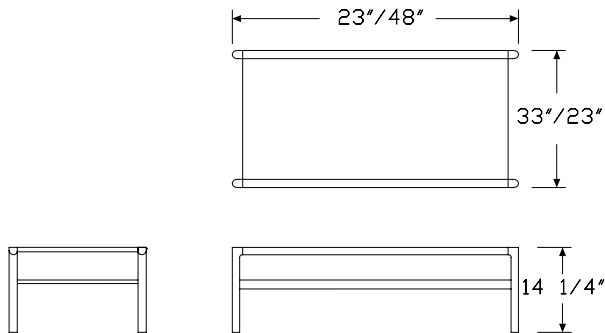


Product Information

Description

This table has a solid ash or walnut frame, and steel-plated metal in one of several metal finishes. Tops can be specified in wood veneer or leather-wrapped. Available as a side table or coffee table.

Dimensions



Specification Information

Step 1.

AV

Step 2. Table Type

- 3AL ash wood top with leather
- 3WL walnut wood top with leather
- 3AW ash wood top with wood
- 3WW walnut wood top with wood

Step 3. Size

- 332314 23" wide side table
- 234814 48" wide coffee table

Prices for Steps 1-3.

AV3AL	-332314	\$2228
	-234814	\$2429
AV3WL	-332314	\$2311
	-234814	\$2544
AV3AW	-332314	\$2228
	-234814	\$2429
AV3WW	-332314	\$2311
	-234814	\$2544

Step 4. Wood Finish

Anigre Veneer - Low Sheen

For ash wood top with leather (3AL) or ash wood top with wood (3AW)

- 967 smoked paldao, low sheen +\$0
- 969 warm paldao, low sheen +\$0

Premium Veneer - Matte

For ash wood top with leather (3AL) or ash wood top with wood (3AW)

- 66A frosty ash recograin, quarter cut, matte sheen +\$0
- 677 chocolate ash, matte sheen +\$0
- 68R recograin rosewood +\$0
- 69A recograin frosty ash +\$0
- 69R recograin rosewood +\$0
- 69T recograin teak +\$0
- 6K1 rift oak +\$0
- ET clear on ash +\$0
- EU oak on ash +\$0
- EV walnut on ash +\$0
- GOU natural walnut, flat cut, matte sheen +\$0

Brabo Occasional Table *continued*

Premium Veneer - Low Sheen		
<i>For ash wood top with leather (3AL) or ash wood top with wood (3AW)</i>		
940	sundance cherry on maple [A]	+\$0
943	caramel cherry [A]	+\$0
946	cocoa cherry [A]	+\$0
956	cocoa sapele [A]	+\$0
962	toasted walnut, low sheen [A]	+\$0
963	charred walnut, low sheen [A]	+\$0
964	bronzed walnut, low sheen [A]	+\$0
965	smoked walnut, low sheen [A]	+\$0
966	coffee walnut, low sheen [A]	+\$0
977	chocolate ash, low sheen [A]	+\$0
98R	recograin rosewood [A]	+\$0
991	champagne ash [A]	+\$0
998	ebony ash [A]	+\$0
99A	recograin frosty ash [A]	+\$0
99R	recograin rosewood [A]	+\$0
99T	recograin teak [A]	+\$0
9A1	white ash, quarter cut, low sheen [A]	+\$0
9K1	rift oak, rift cut, low sheen [A]	+\$0
9K6	burnt oak, rift cut, low sheen [A]	+\$0
ED	aged cherry [A]	+\$0
EK	medium red walnut [A]	+\$0
G2U	light brown walnut, low sheen [A]	+\$0
G40	dark brown walnut, low sheen [A]	+\$0
UX	walnut on cherry [A]	+\$0

RecoGrain Veneer		
<i>For ash wood top with leather (3AL) or ash wood top with wood (3AW)</i>		
66G	wenge recograin, quarter cut, matte sheen [A]	+\$0
68W	recograin walnut, flat cut, matte sheen [A]	+\$0
69G	recograin wenge, quarter cut, matte sheen [A]	+\$0
69W	recograin walnut, quarter cut, matte sheen [A]	+\$0

<i>For ash wood top with leather (3AL) or ash wood top with wood (3AW)</i>		
98W	recograin walnut, flat cut, low sheen [A]	+\$0
99G	recograin wenge, quarter cut, low sheen [A]	+\$0
99W	recograin walnut, quarter cut, low sheen [A]	+\$0

Matte Wood Finishes		
<i>For ash wood top with leather (3AL) or ash wood top with wood (3AW)</i>		
6A1	white ash [A]	+\$0
6K6	burnt oak [A]	+\$0

Premium Veneer - Low Sheen		
<i>For walnut wood top with leather (3WL) or walnut wood top with wood (3WW)</i>		
962	toasted walnut, low sheen [A]	+\$0
963	charred walnut, low sheen [A]	+\$0
964	bronzed walnut, low sheen [A]	+\$0
965	smoked walnut, low sheen [A]	+\$0
966	coffee walnut, low sheen [A]	+\$0
972	sundance walnut [A]	+\$0
98R	recograin rosewood [A]	+\$0
99R	recograin rosewood [A]	+\$0
EK	medium red walnut [A]	+\$0
G2U	light brown walnut, low sheen [A]	+\$0
G40	dark brown walnut, low sheen [A]	+\$0

Premium Veneer - Matte		
<i>For walnut wood top with leather (3WL) or walnut wood top with wood (3WW)</i>		
662	toasted walnut, matte sheen [A]	+\$0
663	charred walnut, matte sheen [A]	+\$0
664	bronzed walnut, matte sheen [A]	+\$0
665	smoked walnut, matte sheen [A]	+\$0
666	coffee walnut, matte sheen [A]	+\$0
667	smoked paldao, quarter cut, matte sheen [A]	+\$0
669	warm paldao, quarter cut, matte sheen [A]	+\$0
68R	recograin rosewood [A]	+\$0
69R	recograin rosewood [A]	+\$0
GOU	natural walnut, flat cut, matte sheen [A]	+\$0

Anigre Veneer - Low Sheen		
<i>For walnut wood top with leather (3WL) or walnut wood top with wood (3WW)</i>		
967	smoked paldao, low sheen [A]	+\$0
969	warm paldao, low sheen [A]	+\$0

<i>For walnut wood top with leather (3WL) or walnut wood top with wood (3WW)</i>		
66G	recograin wenge [A]	+\$0
69G	recograin wenge [A]	+\$0

<i>For walnut wood top with leather (3WL) or walnut wood top with wood (3WW)</i>		
96G	wenge recograin, quarter cut, low sheen [A]	+\$0
99G	recograin wenge, quarter cut, low sheen [A]	+\$0

Brabo Occasional Table *continued*

Step 5. Leather Top

For ash wood top with leather (3AL) AND walnut wood top with leather (3WL)

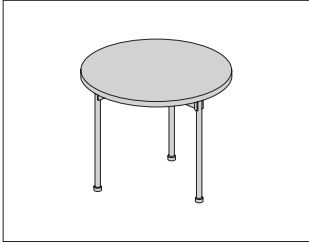
	-332314	-234814
Price Category 11	+\$217	324

Step 6. Base Finish

CHR	chrome <input type="checkbox"/> A	+\$0
SAC	satin chrome <input type="checkbox"/> A	+\$0

Claw Table

ACL1A

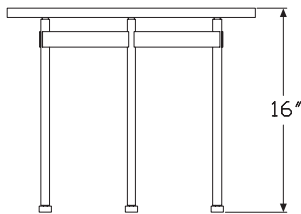
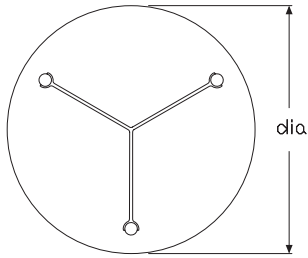


Product Information

Description

The table top is 3/4" thick clear glass with a metal base.

Dimensions



Specification Information

Step 1.

ACL1A

Step 2. Dimensions

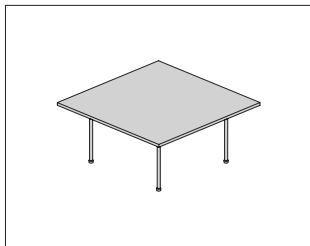
- 20** 20" diameter x 16" high
- 24** 24" diameter x 16" high
- 36** 36" diameter x 16" high

Prices for Steps 1-2.

ACL1A -20	\$2089
-24	\$2300
-36	\$3344

Step 3. Base Finish

926 black <input type="checkbox"/>	+\$0
CHR chrome <input type="checkbox"/>	+\$0
EH metallic bronze <input type="checkbox"/>	+\$0
MS metallic silver <input type="checkbox"/>	+\$0
SAC satin chrome <input type="checkbox"/>	+\$0

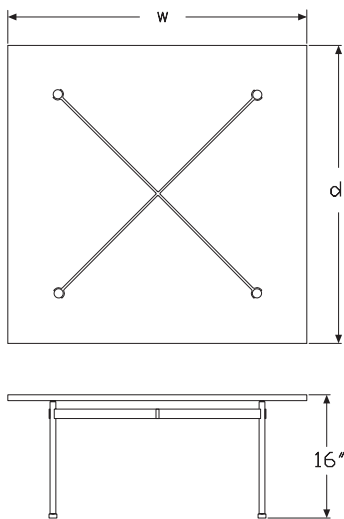


Product Information

Description

The table top is 3/4" thick clear glass with a metal base.

Dimensions



Specification Information

Step 1.

ACL2A

Step 2. Dimensions

-3636 36" square x 16" high

-4040 40" square x 16" high

Prices for Steps 1-2.

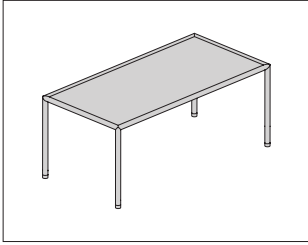
ACL2A -3636	\$3366
-4040	\$3629

Step 3. Base Finish

926 black <input type="checkbox"/>	+\$0
CHR chrome <input type="checkbox"/>	+\$0
EH metallic bronze <input type="checkbox"/>	+\$0
MS metallic silver <input type="checkbox"/>	+\$0
SAC satin chrome <input type="checkbox"/>	+\$0

Full Round Table

AWR2-



Product Information

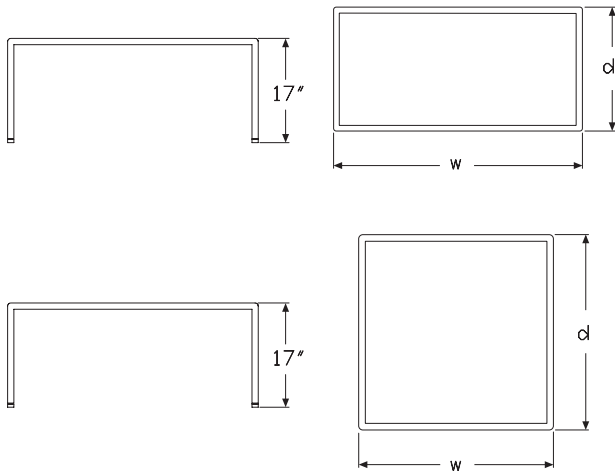
Description

This table has a wood top and metal base.

Notes

Santos palisander veneer is celebrated for its unique grain and color variations. Similar products ordered in multiples or dissimilar products ordered separately should be expected to have variation in both grain and color characteristics; no two products will look exactly alike.

Dimensions



HermanMiller Collection—Occasional Tables

Specification Information

Step 1.

AWR2

Step 2. Dimensions

- 2020 20" square x 17" high
- 2424 24" square x 17" high
- 3030 30" square x 17" high
- 3020 30" deep x 20" wide x 17" high
- 4020 40" deep x 20" wide x 17" high

Prices for Steps 1-2.

AWR2-2020	\$1696
AWR2-2424	\$1921
AWR2-3030	\$2302
AWR2-3020	\$2099
AWR2-4020	\$2245

Step 3. Wood Finish

Premium Veneer - Low Sheen

For 20" square x 17" high (-2020)

931	champagne anigre (natural) <input type="checkbox"/>	+\$670
932	sundance anigre <input type="checkbox"/>	+\$670
933	caramel anigre <input type="checkbox"/>	+\$670
934	henna anigre <input type="checkbox"/>	+\$670
941	natural beech <input type="checkbox"/>	+\$0
942	sundance cherry (natural) <input type="checkbox"/>	+\$0
943	caramel cherry <input type="checkbox"/>	+\$0
946	cocoa cherry <input type="checkbox"/>	+\$0
951	natural anigre <input type="checkbox"/>	+\$670
956	cocoa sapele <input type="checkbox"/>	+\$0
962	toasted walnut, low sheen <input type="checkbox"/>	+\$0
963	charred walnut, low sheen <input type="checkbox"/>	+\$0
964	bronzed walnut, low sheen <input type="checkbox"/>	+\$0
965	smoked walnut, low sheen <input type="checkbox"/>	+\$0
966	coffee walnut, low sheen <input type="checkbox"/>	+\$0
967	smoked paldao, low sheen <input type="checkbox"/>	+\$252
969	warm paldao, low sheen <input type="checkbox"/>	+\$252
972	sundance walnut <input type="checkbox"/>	+\$0
977	chocolate ash, low sheen <input type="checkbox"/>	+\$0
978	natural oak <input type="checkbox"/>	+\$0
981	champagne hickory (natural) <input type="checkbox"/>	+\$0
98R	recograin rosewood <input type="checkbox"/>	+\$0
991	champagne ash <input type="checkbox"/>	+\$0
998	ebony ash <input type="checkbox"/>	+\$0
99A	recograin frosty ash <input type="checkbox"/>	+\$0

Full Round Table *continued*

99R	recograin rosewood A	+\$0
99T	recograin teak A	+\$0
9A1	white ash, quarter cut, low sheen A	+\$0
9K1	rift oak, rift cut, low sheen A	+\$0
9K6	burnt oak, rift cut, low sheen A	+\$0
ED	aged cherry A	+\$0
EK	medium red walnut A	+\$0
G2U	light brown walnut, low sheen A	+\$0
G40	dark brown walnut, low sheen A	+\$0
UX	walnut on cherry A	+\$0

Premium Veneer - Matte

For 20" square x 17" high (-2020)

662	toasted walnut, matte sheen A	+\$0
663	charred walnut, matte sheen A	+\$0
664	bronzed walnut, matte sheen A	+\$0
665	smoked walnut, matte sheen A	+\$0
666	coffee walnut, matte sheen A	+\$0
667	smoked paldao, quarter cut, matte sheen A	+\$252
669	warm paldao, quarter cut, matte sheen A	+\$252
66A	recograin frosty ash A	+\$0
677	chocolate ash, matte sheen A	+\$0
678	natural oak A	+\$0
68R	recograin rosewood A	+\$0
69A	recograin frosty ash A	+\$0
69R	recograin rosewood A	+\$0
69T	recograin teak A	+\$0
6A1	white ash A	+\$0
6K1	rift oak A	+\$0
6K6	burnt oak A	+\$0
ET	clear on ash A	+\$0
EU	oak on ash A	+\$0
EV	walnut on ash A	+\$0
GOU	natural walnut, flat cut, matte sheen A	+\$0

RecoGrain Veneer

For 20" square x 17" high (-2020)

66G	recograin wenge A	-\$84
68W	recograin walnut, flat cut, matte sheen A	-\$84
69G	recograin wenge A	-\$84
69K	recograin oak, quarter cut, matte sheen A	-\$84
69W	recograin walnut, quarter cut, matte sheen A	-\$84

Recon Veneer -

For 20" square x 17" high (-2020)

96G	wenge recograin, quarter cut, low sheen A	-\$84
98W	recograin walnut, flat cut, low sheen A	-\$84
99G	recograin wenge, quarter cut, low sheen A	-\$84
99K	recograin oak, quarter cut, low sheen A	-\$84
99W	recograin walnut, quarter cut, low sheen A	-\$84

For 24" square x 17" high (-2424)

662	toasted walnut, matte sheen A	+\$0
663	charred walnut, matte sheen A	+\$0
664	bronzed walnut, matte sheen A	+\$0
665	smoked walnut, matte sheen A	+\$0
666	coffee walnut, matte sheen A	+\$0
667	smoked paldao, quarter cut, matte sheen A	+\$285
669	warm paldao, quarter cut, matte sheen A	+\$285
66A	frosty ash recograin, quarter cut, matte sheen A	+\$0
677	chocolate ash, matte sheen A	+\$0
678	natural oak A	+\$0
68R	recograin rosewood A	+\$0
69A	recograin frosty ash A	+\$0
69R	recograin rosewood A	+\$0
69T	recograin teak A	+\$0
6A1	white ash A	+\$0
6K1	rift oak A	+\$0
6K6	burnt oak A	+\$0
ET	clear on ash A	+\$0
EU	oak on ash A	+\$0
EV	walnut on ash A	+\$0
GOU	natural walnut, flat cut, matte sheen A	+\$0

For 24" square x 17" high (-2424)

66G	recograin wenge A	-\$95
68W	recograin walnut, flat cut, matte sheen A	-\$95
69G	recograin wenge A	-\$95
69K	recograin oak, quarter cut, matte sheen A	-\$95
69W	recograin walnut, quarter cut, matte sheen A	-\$95

For 24" square x 17" high (-2424)

96G	wenge recograin, quarter cut, low sheen A	-\$95
98W	recograin walnut, flat cut, low sheen A	-\$95
99G	recograin wenge, quarter cut, low sheen A	-\$95
99K	recograin oak, quarter cut, low sheen A	-\$95
99W	recograin walnut, quarter cut, low sheen A	-\$95

Full Round Table *continued*

<i>For 24" square x 17" high (-2424)</i>		
931	champagne anigre (natural) A	+\$759
932	sundance anigre A	+\$759
933	caramel anigre A	+\$759
934	henna anigre A	+\$759
941	natural beech A	+\$0
942	sundance cherry (natural) A	+\$0
943	caramel cherry A	+\$0
946	cocoa cherry A	+\$0
951	natural anigre A	+\$759
956	cocoa sapele A	+\$0
962	toasted walnut, low sheen A	+\$0
963	charred walnut, low sheen A	+\$0
964	bronzed walnut, low sheen A	+\$0
965	smoked walnut, low sheen A	+\$0
966	coffee walnut, low sheen A	+\$0
967	smoked paldao, low sheen A	+\$285
969	warm paldao, low sheen A	+\$285
972	sundance walnut A	+\$0
977	chocolate ash, low sheen A	+\$0
978	natural oak A	+\$0
981	champagne hickory (natural) A	+\$0
98R	recograin rosewood A	+\$0
991	champagne ash A	+\$0
998	ebony ash A	+\$0
99A	recograin frosty ash A	+\$0
99R	recograin rosewood A	+\$0
99T	recograin teak A	+\$0
9A1	white ash, quarter cut, low sheen A	+\$0
9K1	rift oak, rift cut, low sheen A	+\$0
9K6	burnt oak, rift cut, low sheen A	+\$0
ED	aged cherry A	+\$0
EK	medium red walnut A	+\$0
G2U	light brown walnut, low sheen A	+\$0
G40	dark brown walnut, low sheen A	+\$0
UX	walnut on cherry A	+\$0

<i>For 30" square x 17" high (-3030)</i>		
662	toasted walnut, matte sheen A	+\$0
663	charred walnut, matte sheen A	+\$0
664	bronzed walnut, matte sheen A	+\$0
665	smoked walnut, matte sheen A	+\$0
666	coffee walnut, matte sheen A	+\$0
667	smoked paldao, quarter cut, matte sheen A	+\$341
669	warm paldao, quarter cut, matte sheen A	+\$341
66A	recograin frosty ash A	+\$0
677	chocolate ash, matte sheen A	+\$0
678	natural oak A	+\$0
68R	recograin rosewood A	+\$0
69A	recograin frosty ash A	+\$0
69R	recograin rosewood A	+\$0
69T	recograin teak A	+\$0
6A1	white ash A	+\$0
6K1	rift oak A	+\$0
6K6	burnt oak A	+\$0
ET	clear on ash A	+\$0
EU	oak on ash A	+\$0
EV	walnut on ash A	+\$0
GOU	natural walnut, flat cut, matte sheen A	+\$0

<i>For 30" square x 17" high (-3030)</i>		
66G	recograin wenge A	-\$114
68W	recograin walnut, flat cut, matte sheen A	-\$114
69G	recograin wenge A	-\$114
69K	recograin oak, quarter cut, matte sheen A	-\$114
69W	recograin walnut, quarter cut, matte sheen A	-\$114

<i>For 30" square x 17" high (-3030)</i>		
96G	wenge recograin, quarter cut, low sheen A	-\$114
98W	recograin walnut, flat cut, low sheen A	-\$114
99G	recograin wenge, quarter cut, low sheen A	-\$114
99K	recograin oak, quarter cut, low sheen A	-\$114
99W	recograin walnut, quarter cut, low sheen A	-\$114

<i>For 30" square x 17" high (-3030)</i>		
931	champagne anigre (natural) A	+\$909
932	sundance anigre A	+\$909
933	caramel anigre A	+\$909
934	henna anigre A	+\$909
941	natural beech A	+\$0
942	sundance cherry (natural) A	+\$0
943	caramel cherry A	+\$0
946	cocoa cherry A	+\$0
951	natural anigre A	+\$909

956	cocoa sapele [A]	+\$0
962	toasted walnut, low sheen [A]	+\$0
963	charred walnut, low sheen [A]	+\$0
964	bronzed walnut, low sheen [A]	+\$0
965	smoked walnut, low sheen [A]	+\$0
966	coffee walnut, low sheen [A]	+\$0
967	smoked paldao, low sheen [A]	+\$341
969	warm paldao, low sheen [A]	+\$341
972	sundance walnut [A]	+\$0
977	chocolate ash, low sheen [A]	+\$0
978	natural oak [A]	+\$0
981	champagne hickory (natural) [A]	+\$0
98R	recograin rosewood [A]	+\$0
991	champagne ash [A]	+\$0
998	ebony ash [A]	+\$0
99A	recograin frosty ash [A]	+\$0
99R	recograin rosewood [A]	+\$0
99T	recograin teak [A]	+\$0
9A1	white ash, quarter cut, low sheen [A]	+\$0
9K1	rift oak, rift cut, low sheen [A]	+\$0
9K6	burnt oak, rift cut, low sheen [A]	+\$0
ED	aged cherry [A]	+\$0
EK	medium red walnut [A]	+\$0
G2U	light brown walnut, low sheen [A]	+\$0
G40	dark brown walnut, low sheen [A]	+\$0
UX	walnut on cherry [A]	+\$0

For 30" deep x 20" wide x 17" high (-3020)

662	toasted walnut, matte sheen [A]	+\$0
663	charred walnut, matte sheen [A]	+\$0
664	bronzed walnut, matte sheen [A]	+\$0
665	smoked walnut, matte sheen [A]	+\$0
666	coffee walnut, matte sheen [A]	+\$0
667	smoked paldao, quarter cut, matte sheen [A]	+\$311
669	warm paldao, quarter cut, matte sheen [A]	+\$311
66A	recograin frosty ash [A]	+\$0
677	chocolate ash, matte sheen [A]	+\$0
678	natural oak [A]	+\$0
68R	recograin rosewood [A]	+\$0
69A	recograin frosty ash [A]	+\$0
69R	recograin rosewood [A]	+\$0
69T	recograin teak [A]	+\$0
6A1	white ash [A]	+\$0
6K1	rift oak [A]	+\$0
6K6	burnt oak [A]	+\$0
ET	clear on ash [A]	+\$0
EU	oak on ash [A]	+\$0
EV	walnut on ash [A]	+\$0
GOU	natural walnut, flat cut, matte sheen [A]	+\$0

For 30" deep x 20" wide x 17" high (-3020)

66G	recograin wenge [A]	-\$104
68W	recograin walnut, flat cut, matte sheen [A]	-\$104
69G	recograin wenge [A]	-\$104
69K	recograin oak, quarter cut, matte sheen [A]	-\$104
69W	recograin walnut, quarter cut, matte sheen [A]	-\$104

For 30" deep x 20" wide x 17" high (-3020)

96G	wenge recograin, quarter cut, low sheen [A]	-\$104
98W	recograin walnut, flat cut, low sheen [A]	-\$104
99G	recograin wenge, quarter cut, low sheen [A]	-\$104
99K	recograin oak, quarter cut, low sheen [A]	-\$104
99W	recograin walnut, quarter cut, low sheen [A]	-\$104

For 30" deep x 20" wide x 17" high (-3020)

931	champagne anigre (natural) [A]	+\$829
932	sundance anigre [A]	+\$829
933	caramel anigre [A]	+\$829
934	henna anigre [A]	+\$829
941	natural beech [A]	+\$0
942	sundance cherry (natural) [A]	+\$0
943	caramel cherry [A]	+\$0
946	cocoa cherry [A]	+\$0
951	natural anigre [A]	+\$829

Full Round Table *continued*

956	cocoa sapele A	+\$0
962	toasted walnut, low sheen A	+\$0
963	charred walnut, low sheen A	+\$0
964	bronzed walnut, low sheen A	+\$0
965	smoked walnut, low sheen A	+\$0
966	coffee walnut, low sheen A	+\$0
967	smoked paldao, low sheen A	+\$311
969	warm paldao, low sheen A	+\$311
972	sundance walnut A	+\$0
977	chocolate ash, low sheen A	+\$0
978	natural oak A	+\$0
981	champagne hickory (natural) A	+\$0
98R	recograin rosewood A	+\$0
991	champagne ash A	+\$0
998	ebony ash A	+\$0
99A	recograin frosty ash A	+\$0
99R	recograin rosewood A	+\$0
99T	recograin teak A	+\$0
9A1	white ash, quarter cut, low sheen A A	+\$0
9K1	rift oak, rift cut, low sheen A	+\$0
9K6	burnt oak, rift cut, low sheen A	+\$0
ED	aged cherry A	+\$0
EK	medium red walnut A	+\$0
G2U	light brown walnut, low sheen A	+\$0
G40	dark brown walnut, low sheen A	+\$0
UX	walnut on cherry A	+\$0

For 40" deep x 20" wide x 17" high (-4020)

662	toasted walnut, matte sheen A	+\$0
663	charred walnut, matte sheen A	+\$0
664	bronzed walnut, matte sheen A	+\$0
665	smoked walnut, matte sheen A	+\$0
666	coffee walnut, matte sheen A	+\$0
667	smoked paldao, quarter cut, matte sheen A	+\$333
669	warm paldao, quarter cut, matte sheen A	+\$333
66A	recograin frosty ash A	+\$0
677	chocolate ash, matte sheen A	+\$0
678	natural oak A	+\$0
68R	recograin rosewood A	+\$0
69A	recograin frosty ash A	+\$0
69R	recograin rosewood A	+\$0
69T	recograin teak A	+\$0
6A1	white ash A	+\$0
6K1	rift oak A	+\$0
6K6	burnt oak A	+\$0
ET	clear on ash A	+\$0
EU	oak on ash A	+\$0
EV	walnut on ash A	+\$0
GOU	natural walnut, flat cut, matte sheen A	+\$0

For 40" deep x 20" wide x 17" high (-4020)

66G	recograin wenge A	-\$111
68W	recograin walnut, flat cut, matte sheen A	-\$111
69G	recograin wenge A	-\$111
69K	recograin oak, quarter cut, matte sheen A	-\$111
69W	recograin walnut, quarter cut, matte sheen A	-\$111

For 40" deep x 20" wide x 17" high (-4020)

96G	wenge recograin, quarter cut, low sheen A	-\$111
98W	recograin walnut, flat cut, low sheen A	-\$111
99G	recograin wenge, quarter cut, low sheen A	-\$111
99K	recograin oak, quarter cut, low sheen A	-\$111
99W	recograin walnut, quarter cut, low sheen A	-\$111

For 40" deep x 20" wide x 17" high (-4020)

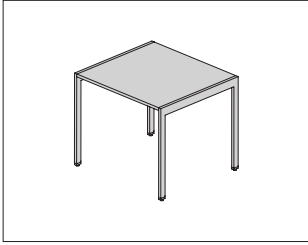
931	champagne anigre (natural) A	+\$886
932	sundance anigre A	+\$886
933	caramel anigre A	+\$886
934	henna anigre A	+\$886
941	natural beech A	+\$0
942	sundance cherry (natural) A	+\$0
943	caramel cherry A	+\$0
946	cocoa cherry A	+\$0
951	natural anigre A	+\$886

Full Round Table *continued*

956	cocoa sapele <input type="checkbox"/> A	+\$0
962	toasted walnut, low sheen <input type="checkbox"/> A	+\$0
963	charred walnut, low sheen <input type="checkbox"/> A	+\$0
964	bronzed walnut, low sheen <input type="checkbox"/> A	+\$0
965	smoked walnut, low sheen <input type="checkbox"/> A	+\$0
966	coffee walnut, low sheen <input type="checkbox"/> A	+\$0
967	smoked paldao, low sheen <input type="checkbox"/> A	+\$333
969	warm paldao, low sheen <input type="checkbox"/> A	+\$333
972	sundance walnut <input type="checkbox"/> A	+\$0
977	chocolate ash, low sheen <input type="checkbox"/> A	+\$0
978	natural oak <input type="checkbox"/> A	+\$0
981	champagne hickory (natural) <input type="checkbox"/> A	+\$0
98R	recograin rosewood <input type="checkbox"/> A	+\$0
991	champagne ash <input type="checkbox"/> A	+\$0
998	ebony ash <input type="checkbox"/> A	+\$0
99A	recograin frosty ash <input type="checkbox"/> A	+\$0
99R	recograin rosewood <input type="checkbox"/> A	+\$0
99T	recograin teak <input type="checkbox"/> A	+\$0
9A1	white ash, quarter cut, low sheen <input type="checkbox"/> A	+\$0
9K1	rift oak, rift cut, low sheen <input type="checkbox"/> A	+\$0
9K6	burnt oak, rift cut, low sheen <input type="checkbox"/> A	+\$0
ED	aged cherry <input type="checkbox"/> A	+\$0
EK	medium red walnut <input type="checkbox"/> A	+\$0
G2U	light brown walnut, low sheen <input type="checkbox"/> A	+\$0
G40	dark brown walnut, low sheen <input type="checkbox"/> A	+\$0
UX	walnut on cherry <input type="checkbox"/> A	+\$0
<hr/>		
Step 4. Base Finish		
CHR	chrome <input type="checkbox"/> A	+\$0
SAC	satin chrome <input type="checkbox"/> A	+\$0

H-Frame Side Table

AWH2G
AWH2S
AWH2W



Product Information

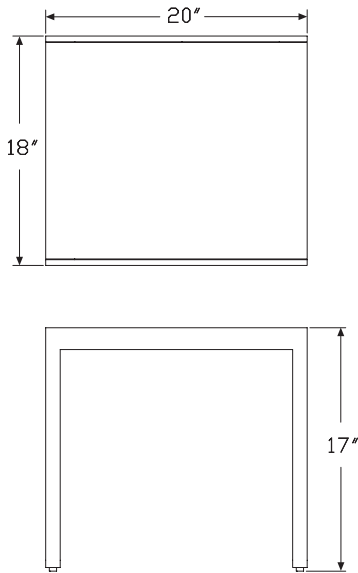
Description

This side table has a wood top and metal base. The dimensions are 18" deep, 20" wide, and 17" high.

Notes

Santos palisander veneer is celebrated for its unique grain and color variations. Similar products ordered in multiples or dissimilar products ordered separately should be expected to have variation in both grain and color characteristics; no two products will look exactly alike.

Dimensions



HermanMiller Collection—Occasional Tables

Specification Information

Step 1.

AWH2

Step 2. Top Material

- W** wood top
- G** glass top
- S** stone top

Step 3. Dimensions

-1820 18" deep x 20" wide x 17" high side table

Prices for Steps 1-3.

AWH2W -1820 \$2031

AWH2G -1820 \$1540

AWH2S -1820 \$2689

Step 4. Top Finish

Premium Veneer - Low Sheen

For wood top (W)

931	champagne anigre (natural) <input type="checkbox"/>	+\$802
932	sundance anigre <input type="checkbox"/>	+\$802
933	caramel anigre <input type="checkbox"/>	+\$802
934	henna anigre <input type="checkbox"/>	+\$802
940	sundance cherry on maple <input type="checkbox"/>	+\$0
941	natural beech <input type="checkbox"/>	+\$0
942	sundance cherry (natural) <input type="checkbox"/>	+\$0
943	caramel cherry <input type="checkbox"/>	+\$0
946	cocoa cherry <input type="checkbox"/>	+\$0
951	natural anigre <input type="checkbox"/>	+\$802
956	cocoa sapele <input type="checkbox"/>	+\$0
962	toasted walnut, low sheen <input type="checkbox"/>	+\$0
963	charred walnut, low sheen <input type="checkbox"/>	+\$0
964	bronzed walnut, low sheen <input type="checkbox"/>	+\$0
965	smoked walnut, low sheen <input type="checkbox"/>	+\$0
966	coffee walnut, low sheen <input type="checkbox"/>	+\$0
967	smoked paldao, low sheen <input type="checkbox"/>	+\$301
969	warm paldao, low sheen <input type="checkbox"/>	+\$301
972	sundance walnut <input type="checkbox"/>	+\$0
977	chocolate ash, low sheen <input type="checkbox"/>	+\$0
978	natural oak <input type="checkbox"/>	+\$0
981	champagne hickory (natural) <input type="checkbox"/>	+\$0
98R	recograin rosewood <input type="checkbox"/>	+\$0
991	champagne ash <input type="checkbox"/>	+\$0

H-Frame Side Table *continued*

998	ebony ash <input type="checkbox"/>	+\$0
99A	recograin frosty ash <input type="checkbox"/>	+\$0
99R	recograin rosewood <input type="checkbox"/>	+\$0
99T	recograin teak <input type="checkbox"/>	+\$0
9A1	white ash, quarter cut, low sheen <input type="checkbox"/>	+\$0
9K1	rift oak, rift cut, low sheen <input type="checkbox"/>	+\$0
9K6	burnt oak, rift cut, low sheen <input type="checkbox"/>	+\$0
ED	aged cherry <input type="checkbox"/>	+\$0
EK	medium red walnut <input type="checkbox"/>	+\$0
G2U	light brown walnut, low sheen <input type="checkbox"/>	+\$0
G40	dark brown walnut, low sheen <input type="checkbox"/>	+\$0
UX	walnut on cherry <input type="checkbox"/>	+\$0

Premium Veneer - Matte

For wood top (W)

662	toasted walnut, matte sheen <input type="checkbox"/>	+\$0
663	charred walnut, matte sheen <input type="checkbox"/>	+\$0
664	bronzed walnut, matte sheen <input type="checkbox"/>	+\$0
665	smoked walnut, matte sheen <input type="checkbox"/>	+\$0
666	coffee walnut, matte sheen <input type="checkbox"/>	+\$0
667	smoked paldao, quarter cut, matte sheen <input type="checkbox"/>	+\$301
669	warm paldao, quarter cut, matte sheen <input type="checkbox"/>	+\$301
66A	recograin frosty ash <input type="checkbox"/>	+\$0
677	chocolate ash, matte sheen <input type="checkbox"/>	+\$0
678	natural oak <input type="checkbox"/>	+\$0
68R	recograin rosewood <input type="checkbox"/>	+\$0
69A	recograin frosty ash <input type="checkbox"/>	+\$0
69R	recograin rosewood <input type="checkbox"/>	+\$0
69T	recograin teak <input type="checkbox"/>	+\$0
6A1	white ash <input type="checkbox"/>	+\$0
6K1	rift oak <input type="checkbox"/>	+\$0
6K6	burnt oak <input type="checkbox"/>	+\$0
ET	clear on ash <input type="checkbox"/>	+\$0
EU	oak on ash <input type="checkbox"/>	+\$0
EV	walnut on ash <input type="checkbox"/>	+\$0
GOU	natural walnut, flat cut, matte sheen <input type="checkbox"/>	+\$0

RecoGrain Veneer

For wood top (W)

66G	recograin wenge <input type="checkbox"/>	-\$101
68W	recograin walnut, flat cut, matte sheen <input type="checkbox"/>	-\$101
69G	recograin wenge <input type="checkbox"/>	-\$101
69K	recograin oak, quarter cut, matte sheen <input type="checkbox"/>	-\$101
69W	recograin walnut, quarter cut, matte sheen <input type="checkbox"/>	-\$101

Recon Veneer -

For wood top (W)

96G	wenge recograin, quarter cut, low sheen <input type="checkbox"/>	-\$101
98W	recograin walnut, flat cut, low sheen <input type="checkbox"/>	-\$101
99G	recograin wenge, quarter cut, low sheen <input type="checkbox"/>	-\$101
99K	recograin oak, quarter cut, low sheen <input type="checkbox"/>	-\$101
99W	recograin walnut, quarter cut, low sheen <input type="checkbox"/>	-\$101

Glass

For glass top (G)

CGL	clear glass <input type="checkbox"/>	+\$0
GE1	etched glass <input type="checkbox"/>	+\$133

For stone top (S)

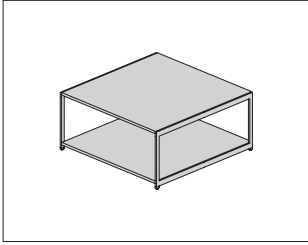
200	perfato marble <input type="checkbox"/>	+\$0
250	verde antique marble <input type="checkbox"/>	+\$0
400	black granite <input type="checkbox"/>	+\$0
5U	georgia grey marble <input type="checkbox"/>	+\$0
800	autumn brown granite <input type="checkbox"/>	+\$0
960	white carrara marble <input type="checkbox"/>	+\$0
HR	wisconsin black marble <input type="checkbox"/>	+\$0

Step 5. Metal Finish

CHR	chrome <input type="checkbox"/>	+\$0
SAC	satin chrome <input type="checkbox"/>	+\$0

H-Frame Coffee Table

AWH2G
AWH2S
AWH2W



Product Information

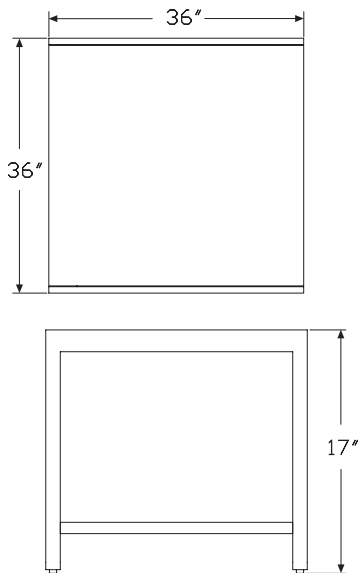
Description

This coffee table has a wood top and metal base. The dimensions are 36" deep, 36" wide, and 17" high.

Notes

Santos palisander veneer is celebrated for its unique grain and color variations. Similar products ordered in multiples or dissimilar products ordered separately should be expected to have variation in both grain and color characteristics; no two products will look exactly alike.

Dimensions



HermanMiller Collection—Occasional Tables

Specification Information

Step 1.

AWH2

Step 2. Top Material

- W** wood top
- G** glass top
- S** stone top

Step 3. Dimensions

-3636 36" deep x 36" wide x 17" high coffee table

Prices for Steps 1-3.

AWH2W -3636 \$3675

AWH2G -3636 \$3283

AWH2S -3636 \$7020

Step 4. Top Finish

For wood top (W)

931	champagne anigre (natural) <input type="checkbox"/>	+\$1451
932	sundance anigre <input type="checkbox"/>	+\$1451
933	caramel anigre <input type="checkbox"/>	+\$1451
934	henna anigre <input type="checkbox"/>	+\$1451
941	natural beech <input type="checkbox"/>	+\$0
942	sundance cherry (natural) <input type="checkbox"/>	+\$0
943	caramel cherry <input type="checkbox"/>	+\$0
946	cocoa cherry <input type="checkbox"/>	+\$0
951	natural anigre <input type="checkbox"/>	+\$1451
956	cocoa sapele <input type="checkbox"/>	+\$0
962	toasted walnut, low sheen <input type="checkbox"/>	+\$0
963	charred walnut, low sheen <input type="checkbox"/>	+\$0
964	bronzed walnut, low sheen <input type="checkbox"/>	+\$0
965	smoked walnut, low sheen <input type="checkbox"/>	+\$0
966	coffee walnut, low sheen <input type="checkbox"/>	+\$0
967	smoked paldao, low sheen <input type="checkbox"/>	+\$544
969	warm paldao, low sheen <input type="checkbox"/>	+\$544
972	sundance walnut <input type="checkbox"/>	+\$0
977	chocolate ash, low sheen <input type="checkbox"/>	+\$0
978	natural oak <input type="checkbox"/>	+\$0
981	champagne hickory (natural) <input type="checkbox"/>	+\$0
98R	recograin rosewood <input type="checkbox"/>	+\$0
991	champagne ash <input type="checkbox"/>	+\$0
998	ebony ash <input type="checkbox"/>	+\$0
99A	recograin frosty ash <input type="checkbox"/>	+\$0

H-Frame Coffee Table *continued*

99R	recograin rosewood <input type="checkbox"/>	+\$0
99T	recograin teak <input type="checkbox"/>	+\$0
9A1	white ash, quarter cut, low sheen <input type="checkbox"/>	+\$0
9K1	rift oak, rift cut, low sheen <input type="checkbox"/>	+\$0
9K6	burnt oak, rift cut, low sheen <input type="checkbox"/>	+\$0
ED	aged cherry <input type="checkbox"/>	+\$0
EK	medium red walnut <input type="checkbox"/>	+\$0
G2U	light brown walnut, low sheen <input type="checkbox"/>	+\$0
G40	dark brown walnut, low sheen <input type="checkbox"/>	+\$0
UX	walnut on cherry <input type="checkbox"/>	+\$0

For wood top (W)

662	toasted walnut, matte sheen <input type="checkbox"/>	+\$0
663	charred walnut, matte sheen <input type="checkbox"/>	+\$0
664	bronzed walnut, matte sheen <input type="checkbox"/>	+\$0
665	smoked walnut, matte sheen <input type="checkbox"/>	+\$0
666	coffee walnut, matte sheen <input type="checkbox"/>	+\$0
667	smoked paldao, quarter cut, matte sheen <input type="checkbox"/>	+\$544
669	warm paldao, quarter cut, matte sheen <input type="checkbox"/>	+\$544
66A	recograin frosty ash <input type="checkbox"/>	+\$0
677	chocolate ash, matte sheen <input type="checkbox"/>	+\$0
678	natural oak <input type="checkbox"/>	+\$0
68R	recograin rosewood <input type="checkbox"/>	+\$0
69A	recograin frosty ash <input type="checkbox"/>	+\$0
69R	recograin rosewood <input type="checkbox"/>	+\$0
69T	recograin teak <input type="checkbox"/>	+\$0
6A1	white ash <input type="checkbox"/>	+\$0
6K1	rift oak <input type="checkbox"/>	+\$0
6K6	burnt oak <input type="checkbox"/>	+\$0
ET	clear on ash <input type="checkbox"/>	+\$0
EU	oak on ash <input type="checkbox"/>	+\$0
EV	walnut on ash <input type="checkbox"/>	+\$0
GOU	natural walnut, flat cut, matte sheen <input type="checkbox"/>	+\$0

For wood top (W)

66G	recograin wenge <input type="checkbox"/>	-\$182
68W	recograin walnut, flat cut, matte sheen <input type="checkbox"/>	-\$182
69G	recograin wenge <input type="checkbox"/>	-\$182
69K	recograin oak, quarter cut, matte sheen <input type="checkbox"/>	-\$182
69W	recograin walnut, quarter cut, matte sheen <input type="checkbox"/>	-\$182

For wood top (W)

96G	wenge recograin, quarter cut, low sheen <input type="checkbox"/>	-\$182
98W	recograin walnut, flat cut, low sheen <input type="checkbox"/>	-\$182
99G	recograin wenge, quarter cut, low sheen <input type="checkbox"/>	-\$182
99K	recograin oak, quarter cut, low sheen <input type="checkbox"/>	-\$182
99W	recograin walnut, quarter cut, low sheen <input type="checkbox"/>	-\$182

Glass

For glass top (G)

CGL	clear glass <input type="checkbox"/>	+\$0
GE1	etched glass <input type="checkbox"/>	+\$133

Stone

For stone top (S)

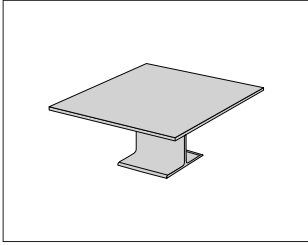
200	perfato marble <input type="checkbox"/>	+\$0
250	verde antique marble <input type="checkbox"/>	+\$0
400	black granite <input type="checkbox"/>	+\$0
5U	georgia grey marble <input type="checkbox"/>	+\$0
800	autumn brown granite <input type="checkbox"/>	+\$0
960	white carrara marble <input type="checkbox"/>	+\$0
HR	wisconsin black marble <input type="checkbox"/>	+\$0

Step 5. Metal Finish

CHR	chrome <input type="checkbox"/>	+\$0
SAC	satin chrome <input type="checkbox"/>	+\$0

I-Beam Coffee Table

AWB2G
AWB2M

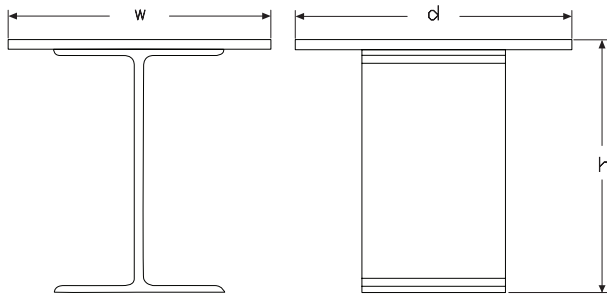


Product Information

Description

This coffee table has an aluminum base and glass top.

Dimensions



HermanMiller Collection—Occasional Tables

Specification Information

Step 1.

AWB A

Step 2. Table Type

2 coffee table A

Step 3. Top Material

M marble top A

G glass top A

Step 4. Size

For coffee table (2) with glass top (G)

-363615 36" deep x 36" wide x 15 1/4" high A

-404015 40" deep x 40" wide x 15 1/4" high A

For coffee table (2) with marble top (M)

-363616 36" deep x 36" wide x 16" high A

-404016 40" deep x 40" wide x 16" high A

Prices for Steps 1-4.

AWB2M	-363616	\$5422
	-404016	\$5928

AWB2G	-363615	\$2686
	-404015	\$2888

Step 5. Top Finish

For marble top (M)

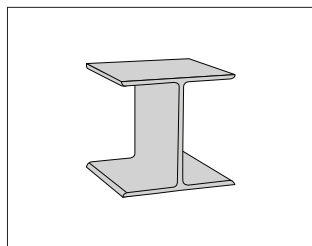
200	perfato marble <input type="checkbox"/> A	+\$0
250	verde antique marble <input type="checkbox"/> A	+\$0
400	black granite <input type="checkbox"/> A	+\$0
5U	georgia grey marble <input type="checkbox"/> A	+\$0
800	autumn brown granite <input type="checkbox"/> A	+\$0
960	white carrara marble <input type="checkbox"/> A	+\$0
HR	wisconsin black marble <input type="checkbox"/> A	+\$0

For glass top (G)

CGL	3/4" thick clear glass <input type="checkbox"/> A	+\$0
------------	---	------

I-Beam Side Table

AWB1Z

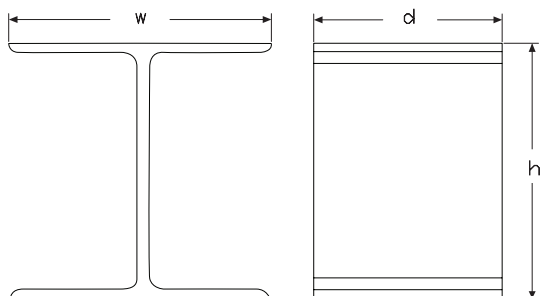


Product Information

Description

This side table has an aluminum base and no top.

Dimensions



Specification Information

Step 1.

AWB A

Step 2. Table Type

1 side table A

Step 3. Top Material

Z no top A

Step 4. Size

-161615 16" deep x 16" wide x 14¹/₂" high A

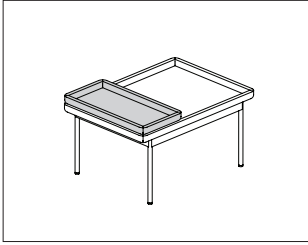
-181815 18" deep x 18" wide x 14¹/₂" high A

Prices for Steps 1-4.

AWB1Z -161615	\$1748
-181815	\$1875

Tuxedo Component Lounge Tables Tray

AXT3-

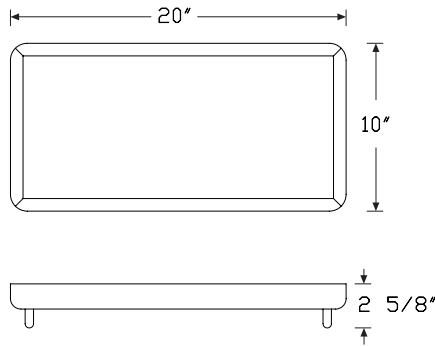


Product Information

Description

This tray comes in solid ash or walnut.

Dimensions



HermanMiller Collection—Occasional Tables

Specification Information

Step 1.

AXT3

Step 2. Depth

-10 10" deep

Step 3. Width

20 20" wide

Prices for Steps 1-3.

AXT3-10 20 \$797

Step 4. Wood Finish

Matte Finishes

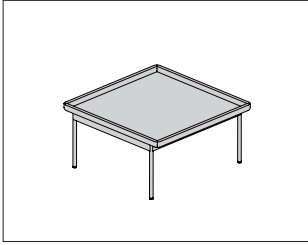
662	toasted walnut, matte sheen <input type="checkbox"/>	+\$0
663	charred walnut, matte sheen <input type="checkbox"/>	+\$0
664	bronzed walnut, matte sheen <input type="checkbox"/>	+\$0
665	smoked walnut, matte sheen <input type="checkbox"/>	+\$0
666	coffee walnut, matte sheen <input type="checkbox"/>	+\$0
667	smoked paldao, quarter cut, matte sheen <input type="checkbox"/>	+\$0
669	warm paldao, quarter cut, matte sheen <input type="checkbox"/>	+\$0
66A	recograin frosty ash <input type="checkbox"/>	+\$0
677	chocolate ash, matte sheen <input type="checkbox"/>	+\$0
68R	recograin rosewood <input type="checkbox"/>	+\$0
69A	recograin frosty ash <input type="checkbox"/>	+\$0
69R	recograin rosewood <input type="checkbox"/>	+\$0
69T	recograin teak <input type="checkbox"/>	+\$0
6K1	rift oak <input type="checkbox"/>	+\$0
ET	clear on ash <input type="checkbox"/>	+\$0
EU	oak on ash <input type="checkbox"/>	+\$0
EV	walnut on ash <input type="checkbox"/>	+\$0
GOU	natural walnut, flat cut, matte sheen <input type="checkbox"/>	+\$0
6A1	white ash <input type="checkbox"/>	+\$0
6K6	burnt oak <input type="checkbox"/>	+\$0
932	sundance anigre <input type="checkbox"/>	+\$0
933	caramel anigre <input type="checkbox"/>	+\$0
934	henna anigre <input type="checkbox"/>	+\$0
940	sundance cherry on maple <input type="checkbox"/>	+\$0
962	toasted walnut, low sheen <input type="checkbox"/>	+\$0
963	charred walnut, low sheen <input type="checkbox"/>	+\$0
964	bronzed walnut, low sheen <input type="checkbox"/>	+\$0
965	smoked walnut, low sheen <input type="checkbox"/>	+\$0
966	coffee walnut, low sheen <input type="checkbox"/>	+\$0
967	smoked paldao, low sheen <input type="checkbox"/>	+\$0
969	warm paldao, low sheen <input type="checkbox"/>	+\$0

Tuxedo Component Lounge Tables Tray *continued*

972	sundance walnut	A	+\$0
977	chocolate ash, low sheen	A	+\$0
98R	recograin rosewood	A	+\$0
991	champagne ash	A	+\$0
99A	recograin frosty ash	A	+\$0
99R	recograin rosewood	A	+\$0
99T	recograin teak	A	+\$0
9A1	white ash, quarter cut, low sheen	A	+\$0
9K1	rift oak, rift cut, low sheen	A	+\$0
9K6	burnt oak, rift cut, low sheen	A	+\$0
G2U	light brown walnut, low sheen	A	+\$0
G40	dark brown walnut, low sheen	A	+\$0
UX	walnut on cherry	A	+\$0
943	caramel cherry	A	+\$0
946	cocoa cherry	A	+\$0
956	cocoa sapele	A	+\$0
998	ebony ash	A	+\$0
ED	aged cherry	A	+\$0
EK	medium red walnut	A	+\$0
66G	recograin wenge	A	+\$0
68W	recograin walnut, flat cut, matte sheen	A	+\$0
69G	recograin wenge	A	+\$0
69W	recograin walnut, quarter cut, matte sheen	A	+\$0
96G	wenge recograin, quarter cut, low sheen	A	+\$0
98W	recograin walnut, flat cut, low sheen	A	+\$0
99G	recograin wenge, quarter cut, low sheen	A	+\$0
99W	recograin walnut, quarter cut, low sheen	A	+\$0

Tuxedo Component Lounge Tables Square

AXW2-

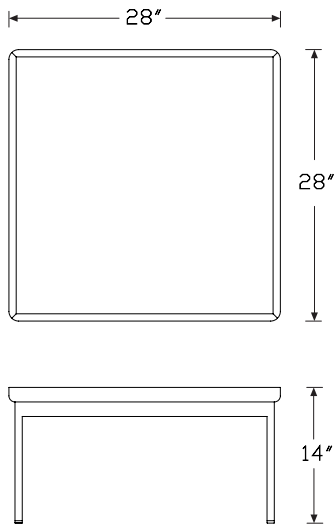


Product Information

Description

This square table has a steel plated metal base with a solid ash or walnut top 1½" thick.

Dimensions



HermanMiller Collection—Occasional Tables

Specification Information

Step 1.

AXW2

Step 2. Depth

-28 28" deep

Step 3. Width

28 28" wide

Prices for Steps 1-3.

AXW2-28 28 \$1670

Step 4. Wood Finish

Matte Finishes

662	toasted walnut, matte sheen <input type="checkbox"/>	+\$0
663	charred walnut, matte sheen <input type="checkbox"/>	+\$0
664	bronzed walnut, matte sheen <input type="checkbox"/>	+\$0
665	smoked walnut, matte sheen <input type="checkbox"/>	+\$0
666	coffee walnut, matte sheen <input type="checkbox"/>	+\$0
667	smoked paldao, quarter cut, matte sheen <input type="checkbox"/>	+\$0
669	warm paldao, quarter cut, matte sheen <input type="checkbox"/>	+\$0
66A	frosty ash recograin, quarter cut, matte sheen <input type="checkbox"/>	+\$0
677	chocolate ash, matte sheen <input type="checkbox"/>	+\$0
68R	recograin rosewood <input type="checkbox"/>	+\$0
69A	recograin frosty ash <input type="checkbox"/>	+\$0
69R	recograin rosewood <input type="checkbox"/>	+\$0
69T	recograin teak <input type="checkbox"/>	+\$0
6K1	rift oak <input type="checkbox"/>	+\$0
ET	clear on ash <input type="checkbox"/>	+\$0
EU	oak on ash <input type="checkbox"/>	+\$0
EV	walnut on ash <input type="checkbox"/>	+\$0
GOU	natural walnut, flat cut, matte sheen <input type="checkbox"/>	+\$0
6A1	white ash <input type="checkbox"/>	+\$0
6K6	burnt oak <input type="checkbox"/>	+\$0

Tuxedo Component Lounge

Tables Square *continued*

Premium Veneer - Low Sheen

932	sundance anigre [A]	+\$0
933	caramel anigre [A]	+\$0
934	henna anigre [A]	+\$0
940	sundance cherry on maple [A]	+\$0
962	toasted walnut, low sheen [A]	+\$0
963	charred walnut, low sheen [A]	+\$0
964	bronzed walnut, low sheen [A]	+\$0
965	smoked walnut, low sheen [A]	+\$0
966	coffee walnut, low sheen [A]	+\$0
967	smoked paldao, low sheen [A]	+\$0
969	warm paldao, low sheen [A]	+\$0
972	sundance walnut [A]	+\$0
977	chocolate ash, low sheen [A]	+\$0
98R	recograin rosewood [A]	+\$0
991	champagne ash [A]	+\$0
99A	recograin frosty ash [A]	+\$0
99R	recograin rosewood [A]	+\$0
99T	recograin teak [A]	+\$0
9A1	white ash, quarter cut, low sheen [A]	+\$0
9K1	rift oak, rift cut, low sheen [A]	+\$0
9K6	burnt oak, rift cut, low sheen [A]	+\$0
G2U	light brown walnut, low sheen [A]	+\$0
G40	dark brown walnut, low sheen [A]	+\$0
UX	walnut on cherry [A]	+\$0
943	caramel cherry [A]	+\$0
946	cocoa cherry [A]	+\$0
956	cocoa sapele [A]	+\$0
998	ebony ash [A]	+\$0
ED	aged cherry [A]	+\$0
EK	medium red walnut [A]	+\$0

RecoGrain Veneer

66G	recograin wenge [A]	+\$0
68W	recograin walnut, flat cut, matte sheen [A]	+\$0
69G	recograin wenge [A]	+\$0
69W	recograin walnut, quarter cut, matte sheen [A]	+\$0

Recon Veneer -

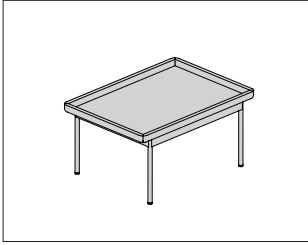
96G	wenge recograin, quarter cut, low sheen [A]	+\$0
98W	recograin walnut, flat cut, low sheen [A]	+\$0
99G	recograin wenge, quarter cut, low sheen [A]	+\$0
99W	recograin walnut, quarter cut, low sheen [A]	+\$0

Step 5. Base Finish

926	black [A]	+\$0
AS	arctic silver [A]	+\$0
WHT	white [A]	+\$0
CHR	chrome [A]	+\$307
SAC	satin chrome [A]	+\$307

Tuxedo Component Lounge Tables Rectangular

AXW3-

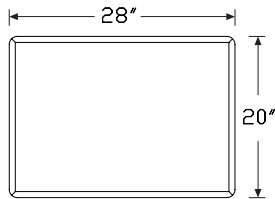


Product Information

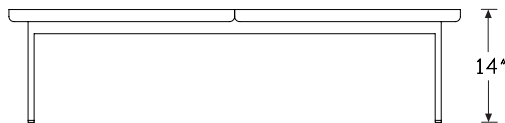
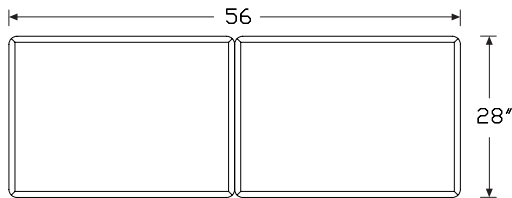
Description

This rectangular table has a steel plated metal base with a 1-piece or 2-piece solid ash or walnut top 1½" thick.

Dimensions



Tuxedo One Piece Table



Tuxedo Two Piece Tables

Specification Information

Step 1.

AXW3 A

Step 2. Depth

-20 20" deep A

-28 28" deep A

Step 3. Width

For 20" deep (-20)

28 28" wide, one piece A

For 28" deep (-28)

56 56" wide, two pieces A

Prices for Steps 1-3.

AXW3-20 28 \$1479

AXW3-28 56 \$2786

Step 4. Wood Finish

Matte Finishes

662	toasted walnut, matte sheen <input type="checkbox"/> A	+\$0
663	charred walnut, matte sheen <input type="checkbox"/> A	+\$0
664	bronzed walnut, matte sheen <input type="checkbox"/> A	+\$0
665	smoked walnut, matte sheen <input type="checkbox"/> A	+\$0
666	coffee walnut, matte sheen <input type="checkbox"/> A	+\$0
667	smoked paldao, quarter cut, matte sheen <input type="checkbox"/> A	+\$0
669	warm paldao, quarter cut, matte sheen <input type="checkbox"/> A	+\$0
66A	recograin frosty ash <input type="checkbox"/> A	+\$0
677	chocolate ash, matte sheen <input type="checkbox"/> A	+\$0
68R	recograin rosewood <input type="checkbox"/> A	+\$0
69A	recograin frosty ash <input type="checkbox"/> A	+\$0
69R	recograin rosewood <input type="checkbox"/> A	+\$0
69T	recograin teak <input type="checkbox"/> A	+\$0
6K1	rift oak <input type="checkbox"/> A	+\$0
ET	clear on ash <input type="checkbox"/> A	+\$0
EU	oak on ash <input type="checkbox"/> A	+\$0
EV	walnut on ash <input type="checkbox"/> A	+\$0
GOU	natural walnut, flat cut, matte sheen <input type="checkbox"/> A	+\$0
6A1	white ash <input type="checkbox"/> A	+\$0
6K6	burnt oak <input type="checkbox"/> A	+\$0
932	sundance anigre <input type="checkbox"/> A	+\$0
933	caramel anigre <input type="checkbox"/> A	+\$0
934	henna anigre <input type="checkbox"/> A	+\$0

Tuxedo Component Lounge Tables Rectangular *continued*

940	sundance cherry on maple	A	+\$0
962	toasted walnut, low sheen	A	+\$0
963	charred walnut, low sheen	A	+\$0
964	bronzed walnut, low sheen	A	+\$0
965	smoked walnut, low sheen	A	+\$0
966	coffee walnut, low sheen	A	+\$0
967	smoked paldao, low sheen	A	+\$0
969	warm paldao, low sheen	A	+\$0
972	sundance walnut	A	+\$0
977	chocolate ash, low sheen	A	+\$0
98R	recograin rosewood	A	+\$0
991	champagne ash	A	+\$0
99A	recograin frosty ash	A	+\$0
99R	recograin rosewood	A	+\$0
99T	recograin teak	A	+\$0
9A1	white ash, quarter cut, low sheen	A	+\$0
9K1	rift oak, rift cut, low sheen	A	+\$0
9K6	burnt oak, rift cut, low sheen	A	+\$0
G2U	light brown walnut, low sheen	A	+\$0
G40	dark brown walnut, low sheen	A	+\$0
UX	walnut on cherry	A	+\$0
943	caramel cherry	A	+\$0
946	cocoa cherry	A	+\$0
956	cocoa sapele	A	+\$0
998	ebony ash	A	+\$0
ED	aged cherry	A	+\$0
EK	medium red walnut	A	+\$0

RecoGrain Veneer

66G	recograin wenge	A	+\$0
68W	recograin walnut, flat cut, matte sheen	A	+\$0
69G	recograin wenge	A	+\$0
69W	recograin walnut, quarter cut, matte sheen	A	+\$0

Recon Veneer -

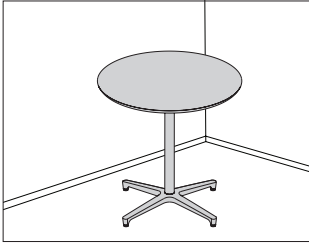
96G	wenge recograin, quarter cut, low sheen	A	+\$0
98W	recograin walnut, flat cut, low sheen	A	+\$0
99G	recograin wenge, quarter cut, low sheen	A	+\$0
99W	recograin walnut, quarter cut, low sheen	A	+\$0

Step 5. Base Finish

		-2028	-2056	-2828	-2856
926	black	A		+\$0	0
AS	arctic silver	A		+\$0	0
WHT	white	A		+\$0	0
CHR	chrome	A		+\$307	671
SAC	satins chrome	A		+\$307	671

Saiba Table Wood Top

ASB1A
ASB1W



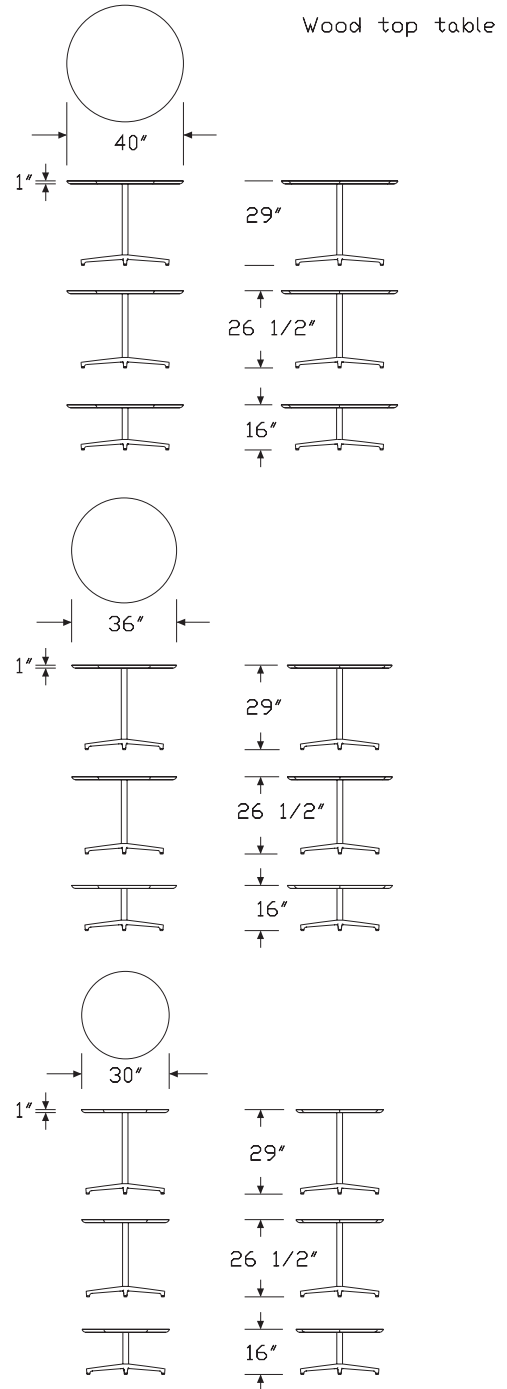
Product Information

Description

This table has an aluminum base with a veneer top and is available in 3 heights and 3 top diameters.

HermanMiller Collection—Occasional Tables

Dimensions



Specification Information

Step 1.

ASB1 A

Step 2. Top

A- ash A

W- walnut A

Step 3. Height

16 16" coffee table height A

26 26.5" work table height A

29 29" standard table height A

Step 4. Diameter

30 30" diameter wood top A

36 36" diameter wood top A

40 40" diameter wood top A

Prices for Steps 1-4.

		30	36	40
ASB1A-	16	\$1654	1809	1964
	26	\$1706	1861	2016
	29	\$1757	1912	2067
ASB1W-	16	\$1757	1912	2067
	26	\$1809	1964	2119
	29	\$1861	2016	2171

Step 5. Wood Finish

Low Sheen Finishes (on Ash)

For ash (A-)

932	sundance anigre A	+\$0
933	caramel anigre A	+\$0
934	henna anigre A	+\$0
940	sundance cherry on maple A	+\$0
962	toasted walnut, low sheen A	+\$0
963	charred walnut, low sheen A	+\$0
964	bronzed walnut, low sheen A	+\$0
965	smoked walnut, low sheen A	+\$0
966	coffee walnut, low sheen A	+\$0
967	smoked paldao, low sheen A	+\$0
969	warm paldao, low sheen A	+\$0
977	chocolate ash, low sheen A	+\$0
98R	recograin rosewood A	+\$0
99A	recograin frosty ash A	+\$0
99G	recograin wenge, quarter cut, low sheen A	+\$0
99R	recograin rosewood A	+\$0
99T	recograin teak A	+\$0
9A1	white ash, quarter cut, low sheen A	+\$0
9K1	rift oak, rift cut, low sheen A	+\$0
9K6	burnt oak, rift cut, low sheen A	+\$0
EK	medium red walnut A	+\$0
G2U	light brown walnut, low sheen A	+\$0
G40	dark brown walnut, low sheen A	+\$0
UX	walnut on cherry A	+\$0
943	caramel cherry A	+\$0
946	cocoa cherry A	+\$0
956	cocoa sapele A	+\$0
991	champagne ash A	+\$0
998	ebony ash A	+\$0
ED	aged cherry A	+\$0

Low Sheen Finishes (on Ash)

For ash (A-)

98W	recograin walnut, flat cut, low sheen A	+\$0
99W	recograin walnut, quarter cut, low sheen A	+\$0

Matte Sheen Finishes (on Ash)

For ash (A-)

66A	frosty ash recograin, quarter cut, matte sheen <input type="checkbox"/>	+\$0
677	chocolate ash, matte sheen <input type="checkbox"/>	+\$0
68R	recograin rosewood <input type="checkbox"/>	+\$0
69A	recograin frosty ash <input type="checkbox"/>	+\$0
69R	recograin rosewood <input type="checkbox"/>	+\$0
69T	recograin teak <input type="checkbox"/>	+\$0
6K1	rift oak <input type="checkbox"/>	+\$0
ET	clear on ash <input type="checkbox"/>	+\$0
EU	oak on ash <input type="checkbox"/>	+\$0
EV	walnut on ash <input type="checkbox"/>	+\$0
GOU	natural walnut, flat cut, matte sheen <input type="checkbox"/>	+\$0
6A1	white ash <input type="checkbox"/>	+\$0
6K6	burnt oak <input type="checkbox"/>	+\$0

Matte Sheen Finishes (on Ash)

For ash (A-)

66G	recograin wenge <input type="checkbox"/>	+\$0
68W	recograin walnut, flat cut, matte sheen <input type="checkbox"/>	+\$0
69G	recograin wenge <input type="checkbox"/>	+\$0
69W	recograin walnut, quarter cut, matte sheen <input type="checkbox"/>	+\$0

Premium Veneer - Matte

For walnut (W-)

662	toasted walnut, matte sheen <input type="checkbox"/>	+\$0
663	charred walnut, matte sheen <input type="checkbox"/>	+\$0
664	bronzed walnut, matte sheen <input type="checkbox"/>	+\$0
665	smoked walnut, matte sheen <input type="checkbox"/>	+\$0
666	coffee walnut, matte sheen <input type="checkbox"/>	+\$0
667	smoked paldao, quarter cut, matte sheen <input type="checkbox"/>	+\$0
669	warm paldao, quarter cut, matte sheen <input type="checkbox"/>	+\$0
68R	recograin rosewood <input type="checkbox"/>	+\$0
69R	recograin rosewood <input type="checkbox"/>	+\$0
GOU	natural walnut, flat cut, matte sheen <input type="checkbox"/>	+\$0

For walnut (W-)

66G	recograin wenge <input type="checkbox"/>	+\$0
69G	recograin wenge <input type="checkbox"/>	+\$0

Low Sheen Finishes (on Walnut)

For walnut (W-)

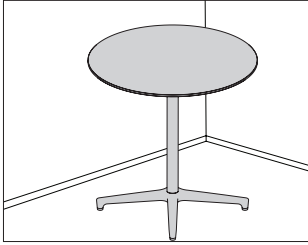
962	toasted walnut, low sheen <input type="checkbox"/>	+\$0
963	charred walnut, low sheen <input type="checkbox"/>	+\$0
964	bronzed walnut, low sheen <input type="checkbox"/>	+\$0
965	smoked walnut, low sheen <input type="checkbox"/>	+\$0
966	coffee walnut, low sheen <input type="checkbox"/>	+\$0
967	smoked paldao, low sheen <input type="checkbox"/>	+\$0
969	warm paldao, low sheen <input type="checkbox"/>	+\$0
96G	wenge recograin, quarter cut, low sheen <input type="checkbox"/>	+\$0
972	sundance walnut <input type="checkbox"/>	+\$0
98R	recograin rosewood <input type="checkbox"/>	+\$0
99G	recograin wenge, quarter cut, low sheen <input type="checkbox"/>	+\$0
99R	recograin rosewood <input type="checkbox"/>	+\$0
G2U	light brown walnut, low sheen <input type="checkbox"/>	+\$0
G40	dark brown walnut, low sheen <input type="checkbox"/>	+\$0
EK	medium red walnut <input type="checkbox"/>	+\$0

Step 6. Base Finish

926	black <input type="checkbox"/>	+\$0
CHR	chrome <input type="checkbox"/>	+\$0

Saiba Table Glass Top

ASB1G

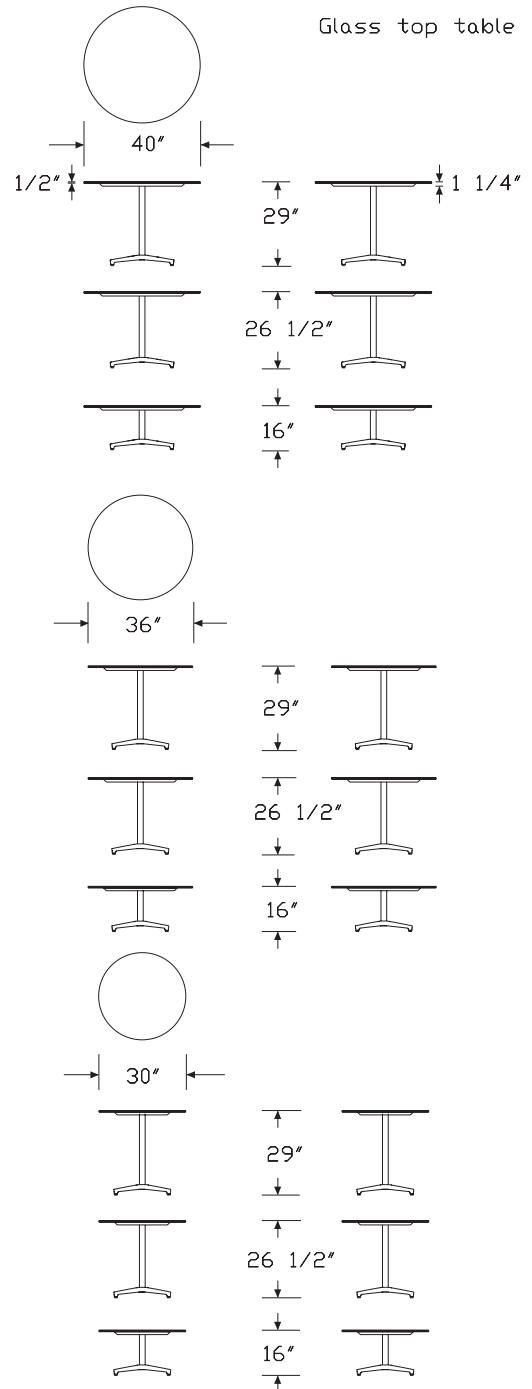


Product Information

Description

This table has an aluminum base with a $\frac{3}{8}$ " tempered, back-painted glass top. Available in 3 heights and 3 top diameters.

Dimensions



Saiba Table Glass Top *continued*

Specification Information

Step 1.

ASB1G- A

Step 2. Height

16 16" coffee table height A

26 26.5" work table height A

29 29" standard table height A

Step 3. Diameter

30 30" diameter wood top A

36 36" diameter wood top A

40 40" diameter wood top A

Prices for Steps 1-3.

	30	36	40
ASB1G- 16	\$2067	2584	3101
26	\$2119	2636	3153
29	\$2171	2688	3204

Step 4. Glass Option

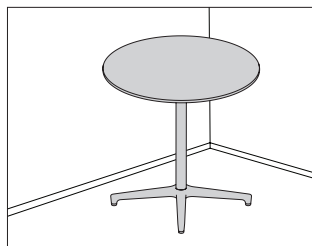
GBB back-painted black glass A +\$0

GBP back-painted white glass A +\$0

Step 5. Base Finish

926 black A +\$0

CHR chrome A +\$0

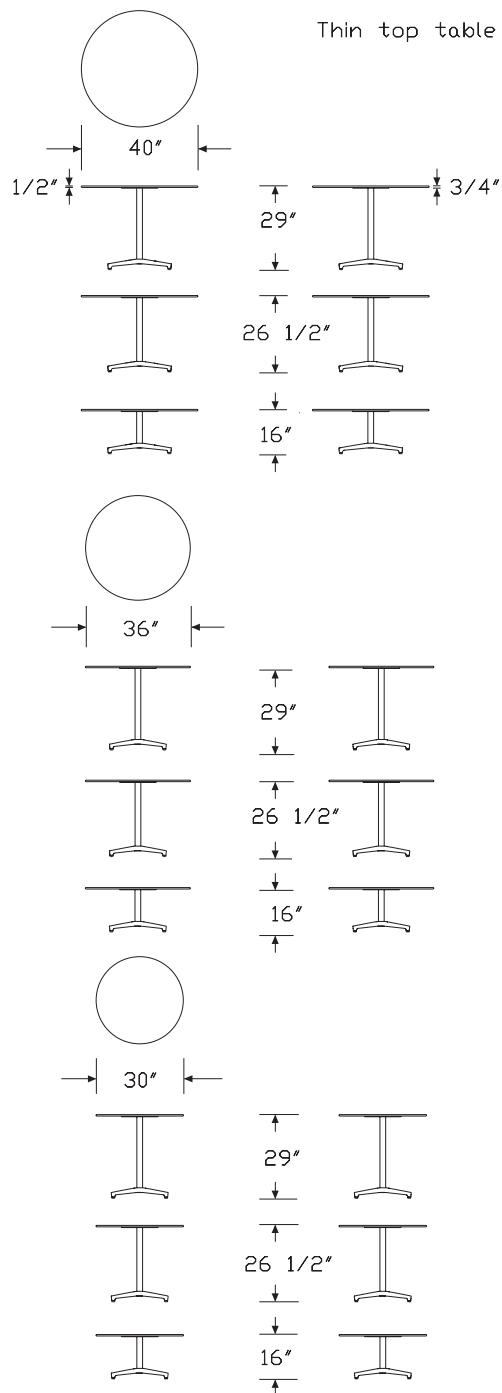


Product Information

Description

This table has an aluminum base with a thin profile high-pressure laminate top and is available in 3 heights and 3 top diameters.

Dimensions



Saiba Table Thin Profile Top

continued

HermanMiller Collection—Occasional Tables

Specification Information

Step 1.

ASB1T- A

Step 2. Height

16 16" coffee table height A

26 26.5" work table height A

29 29" standard table height A

Step 3. Diameter

30 30" diameter wood top A

36 36" diameter wood top A

40 40" diameter wood top A

Prices for Steps 1-3.

	30	36	40
ASB1T- 16	\$1344	1654	2067
26	\$1395	1706	2119
29	\$1447	1757	2171

Step 4. Thin Profile HPL with Black Edge Option

91 white A +\$0

BK black A +\$0

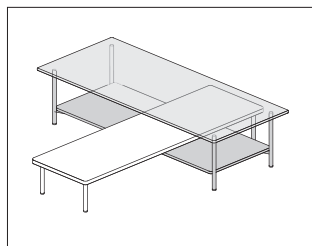
Step 5. Base Finish

926 black A +\$0

CHR chrome A +\$0

Layer Occasional Table, High Nesting

ALNHS

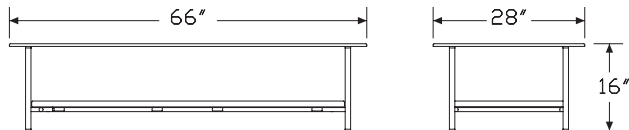


Product Information

Description

This table has a stainless steel frame and a 1/2" thick low-iron tempered glass top with radiused top edge and radiused corners. The wood shelf is 1" thick with plank veneer layup and solid wood edge. Wood shelf is finished to match color and sheen of the specified wood finish.

Dimensions



Specification Information

Step 1.

ALNH

Step 2. Shelf Material

SA- ash shelf

SN- no shelf

SS- stone shelf

SW- walnut shelf

Step 3. Width

66Z 66" wide

Step 4. Depth

28Z 28" deep

Step 5. Height

16Z 16" high

Prices for Steps 1-5.

	16Z
ALNHSA- 66Z 28Z	\$3238

	16Z
ALNHSN- 66Z 28Z	\$2224

	16Z
ALNHSS- 66Z 28Z	\$5163

	16Z
ALNHSSW- 66Z 28Z	\$3238

Step 6. Wood Finish

For ash shelf (SA-)

677	chocolate ash, flat cut, matte sheen <input type="checkbox"/>	+\$0
6A1	white ash, quarter cut, matte sheen <input type="checkbox"/>	+\$0
991	champagne ash, flat cut, low sheen <input type="checkbox"/>	+\$0
998	ebony ash, flat cut, low sheen <input type="checkbox"/>	+\$0

Layer Occasional Table, High Nesting *continued*

For walnut shelf (SW-)

662	toasted walnut, flat cut, matte sheen <input type="checkbox"/> A	+\$0
663	charred walnut, flat cut, matte sheen <input type="checkbox"/> A	+\$0
664	bronzed walnut, flat cut, matte sheen <input type="checkbox"/> A	+\$0
665	smoked walnut, flat cut, matte sheen <input type="checkbox"/> A	+\$0
666	coffee walnut, flat cut, matte sheen <input type="checkbox"/> A	+\$0
972	sundance walnut, solid, low sheen <input type="checkbox"/> A	+\$0
EK	medium red walnut, flat cut, low sheen <input type="checkbox"/> A	+\$0
G2U	light brown walnut, flat cut, low sheen <input type="checkbox"/> A	+\$0
G40	dark brown walnut, flat cut, low sheen <input type="checkbox"/> A	+\$0
GOU	natural walnut, flat cut, matte sheen <input type="checkbox"/> A	+\$0

Step 7. Stone

For stone shelf (SS-)

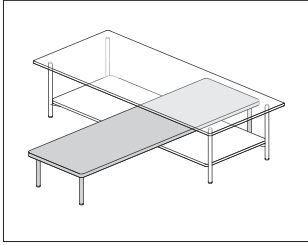
5UH	georgia grey honed marble <input type="checkbox"/> A	+\$0
DPH	georgia white honed marble <input type="checkbox"/> A	+\$0
HR	wisconsin black honed marble <input type="checkbox"/> A	+\$0

Step 8. Base Finish

926	black <input type="checkbox"/> A	+\$0
CHR	chrome <input type="checkbox"/> A	+\$0
SAC	satin chrome <input type="checkbox"/> A	+\$0

Layer Occasional Table, Low Nesting

ALNLT

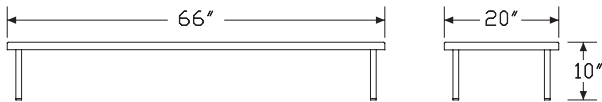


Product Information

Description

This table has a stainless steel frame and a 1 1/4" thick top with plank veneer layup and solid wood edge. Wood top is finished to match color and sheen of the specified wood finish.

Dimensions



Specification Information

Step 1.

ALNL A

Step 2. Wood Top Material

TA- ash top A

TW- walnut top A

Step 3. Width

66Z 66" wide A

Step 4. Depth

20Z 20" deep A

Step 5. Height

10Z 10" high A

Prices for Steps 1-5.

	10Z
ALNLTA- 66Z 20Z	\$1819

	10Z
ALNLTW- 66Z 20Z	\$1819

Step 6. Wood Finish

For ash top (TA-)

677	chocolate ash, flat cut, matte sheen <input type="checkbox"/> A	+\$0
6A1	white ash, quarter cut, matte sheen <input type="checkbox"/> A	+\$0
991	champagne ash, flat cut, low sheen <input type="checkbox"/> A	+\$0
998	ebony ash, flat cut, low sheen <input type="checkbox"/> A	+\$0

For walnut top (TW-)

662	toasted walnut, flat cut, matte sheen <input type="checkbox"/> A	+\$0
663	charred walnut, flat cut, matte sheen <input type="checkbox"/> A	+\$0
664	bronzed walnut, flat cut, matte sheen <input type="checkbox"/> A	+\$0
665	smoked walnut, flat cut, matte sheen <input type="checkbox"/> A	+\$0
666	coffee walnut, flat cut, matte sheen <input type="checkbox"/> A	+\$0
972	sundance walnut, solid, low sheen <input type="checkbox"/> A	+\$0
EK	medium red walnut, flat cut, low sheen <input type="checkbox"/> A	+\$0
G2U	light brown walnut, flat cut, low sheen <input type="checkbox"/> A	+\$0
G40	dark brown walnut, flat cut, low sheen <input type="checkbox"/> A	+\$0
GOU	natural walnut, flat cut, matte sheen <input type="checkbox"/> A	+\$0

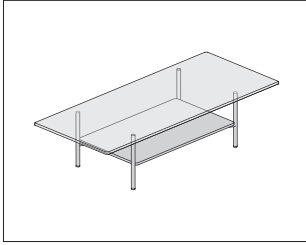
Layer Occasional Table, Low
Nesting *continued*

Step 7. Base Finish		
926	black <input type="checkbox"/>	+\$0
CHR	chrome <input type="checkbox"/>	+\$0
SAC	satin chrome <input type="checkbox"/>	+\$0

HermanMiller Collection—Occasional Tables

Layer Occasional Table, Wood Shelf

ALYSA
ALYSW

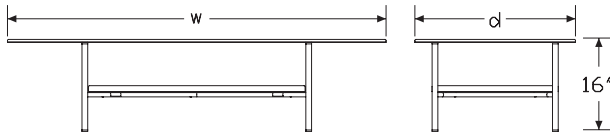


Product Information

Description

This table has a stainless steel frame and a 1/2" thick low-iron tempered glass top with radiused top edge and radiused corners. The wood shelf is 1" thick with plank veneer layup and solid wood edge. Wood shelf is finished to match color and sheen of the specified wood finish.

Dimensions



Specification Information

Step 1.

ALY **A**

Step 2. Shelf Material

SA- ash shelf **A**

SW- walnut shelf **A**

Step 3. Width

28Z 28" wide **A**

46Z 46" wide **A**

66Z 66" wide **A**

Step 4. Depth

For 28" wide (28Z)

14Z 14" deep **A**

22Z 22" deep **A**

For 46" wide (46Z)

24Z 24" deep **A**

For 66" wide (66Z)

28Z 28" deep **A**

Step 5. Height

16Z 16" high **A**

Prices for Steps 1-5.

		16Z
ALYSA-	28Z 14Z	\$1718
	22Z	\$2123
	46Z 24Z	\$2427
	66Z 28Z	\$2832
		16Z
ALYSW-	28Z 14Z	\$1718
	22Z	\$2123
	46Z 24Z	\$2427
	66Z 28Z	\$2832

Layer Occasional Table, Wood Shelf *continued*

Step 6. Wood Finish

For ash shelf (SA-)

677	chocolate ash, flat cut, matte sheen <input type="checkbox"/> A	+\$0
6A1	white ash, quarter cut, matte sheen <input type="checkbox"/> A	+\$0
991	champagne ash, flat cut, low sheen <input type="checkbox"/> A	+\$0
998	ebony ash, flat cut, low sheen <input type="checkbox"/> A	+\$0

For walnut shelf (SW-)

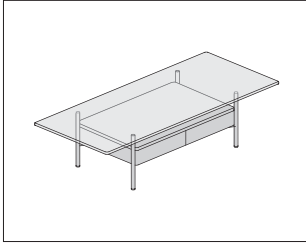
662	toasted walnut, flat cut, matte sheen <input type="checkbox"/> A	+\$0
663	charred walnut, flat cut, matte sheen <input type="checkbox"/> A	+\$0
664	bronzed walnut, flat cut, matte sheen <input type="checkbox"/> A	+\$0
665	smoked walnut, flat cut, matte sheen <input type="checkbox"/> A	+\$0
666	coffee walnut, flat cut, matte sheen <input type="checkbox"/> A	+\$0
972	sundance walnut, solid, low sheen <input type="checkbox"/> A	+\$0
EK	medium red walnut, flat cut, low sheen <input type="checkbox"/> A	+\$0
G2U	light brown walnut, flat cut, low sheen <input type="checkbox"/> A	+\$0
G40	dark brown walnut, flat cut, low sheen <input type="checkbox"/> A	+\$0
GOU	natural walnut, flat cut, matte sheen <input type="checkbox"/> A	+\$0

Step 7. Base Finish

926	black <input type="checkbox"/> A	+\$0
CHR	chrome <input type="checkbox"/> A	+\$0
SAC	satin chrome <input type="checkbox"/> A	+\$0

Layer Occasional Table, Wood
Drawer

ALYDA
ALYDW

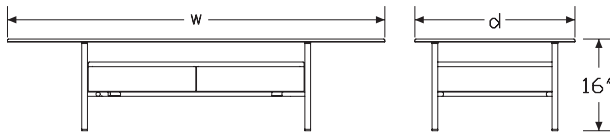


Product Information

Description

This table has a stainless steel frame and a 1/2" thick low-iron tempered glass top with radiused top edge and radiused corners. The drawer top is 1" thick with plank veneer layup and solid wood edge. Drawer front and case are solid wood. Drawer box interior is natural ash with dovetail construction. Wood drawer is finished to match color and sheen of the specified wood finish.

Dimensions



Specification Information

Step 1.

ALY A

Step 2. Drawer Material

DA- ash drawer A

DW- walnut drawer A

Step 3. Width

28Z 28" wide A

46Z 46" wide A

66Z 66" wide A

Step 4. Depth

For 28" wide (28Z)

22Z 22" deep A

For 46" wide (46Z)

24Z 24" deep A

For 66" wide (66Z)

28Z 28" deep A

Step 5. Height

16Z 16" high A

Prices for Steps 1-5.

	16Z
ALYDA- 28Z 22Z	\$2630
46Z 24Z	\$3339
66Z 28Z	\$3745

	16Z
ALYDW- 28Z 22Z	\$2630
46Z 24Z	\$3339
66Z 28Z	\$3745

Step 6. Wood Finish

For ash drawer (DA-)

677	chocolate ash, flat cut, matte sheen <input type="checkbox"/> A	+ \$0
6A1	white ash, quarter cut, matte sheen <input type="checkbox"/> A	+ \$0
991	champagne ash, flat cut, low sheen <input type="checkbox"/> A	+ \$0
998	ebony ash, flat cut, low sheen <input type="checkbox"/> A	+ \$0

Layer Occasional Table, Wood Drawer *continued*

HermanMiller Collection—Occasional Tables

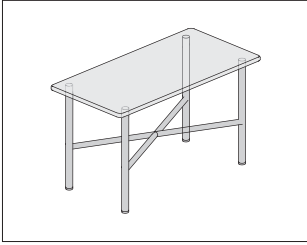
For walnut drawer (DW)

662	toasted walnut, flat cut, matte sheen <input type="checkbox"/> A	+\$0
663	charred walnut, flat cut, matte sheen <input type="checkbox"/> A	+\$0
664	bronzed walnut, flat cut, matte sheen <input type="checkbox"/> A	+\$0
665	smoked walnut, flat cut, matte sheen <input type="checkbox"/> A	+\$0
666	coffee walnut, flat cut, matte sheen <input type="checkbox"/> A	+\$0
972	sundance walnut, solid, low sheen <input type="checkbox"/> A	+\$0
EK	medium red walnut, flat cut, low sheen <input type="checkbox"/> A	+\$0
G2U	light brown walnut, flat cut, low sheen <input type="checkbox"/> A	+\$0
G40	dark brown walnut, flat cut, low sheen <input type="checkbox"/> A	+\$0
GOU	natural walnut, flat cut, matte sheen <input type="checkbox"/> A	+\$0

Step 7. Base Finish

926	black <input type="checkbox"/> A	+\$0
CHR	chrome <input type="checkbox"/> A	+\$0
SAC	satin chrome <input type="checkbox"/> A	+\$0

Layer Occasional Table, No Shelf ALYSN

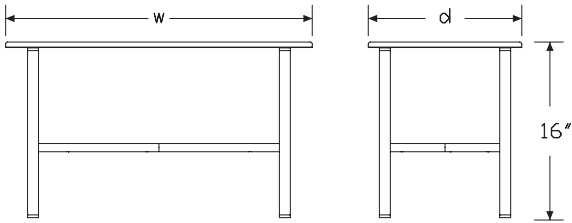


Product Information

Description

This table has a stainless steel frame and a 1/2" thick low-iron tempered glass top with radiused top edge and radiused corners.

Dimensions



Specification Information

Step 1.

ALYSN- A

Step 2. Width

28Z 28" wide A

46Z 46" wide A

66Z 66" wide A

Step 3. Depth

For 28" wide (28Z)

14Z 14" deep A

22Z 22" deep A

For 46" wide (46Z)

24Z 24" deep A

For 66" wide (66Z)

28Z 28" deep A

Step 4. Height

16Z 16" high A

Prices for Steps 1-4.

	16Z
ALYSN- 28Z 14Z	\$1211
22Z	\$1414
46Z 24Z	\$1920
66Z 28Z	\$2224

Step 5. Base Finish

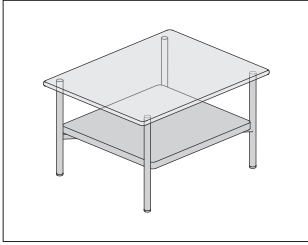
926 black A +\$0

CHR chrome A +\$0

SAC satin chrome A +\$0

Layer Occasional Table, Stone Shelf

ALYSS



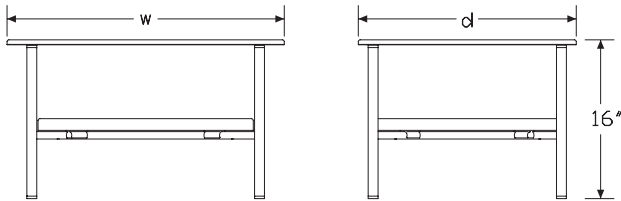
HermanMiller Collection—Occasional Tables

Product Information

Description

This table has a stainless steel frame and a 1/2" thick low-iron tempered glass top with radiused top edge and radiused corners. The stone shelf is 1 3/16" thick with radiused edge and radiused corners.

Dimensions



Specification Information

Step 1.

ALYSS- A

Step 2. Width

28Z 28" wide A

46Z 46" wide A

66Z 66" wide A

Step 3. Depth

For 28" wide (28Z)

14Z 14" deep A

22Z 22" deep A

For 46" wide (46Z)

24Z 24" deep A

For 66" wide (66Z)

28Z 28" deep A

Step 4. Height

16Z 16" high A

Prices for Steps 1-4.

	16Z
ALYSS- 28Z 14Z	\$2427
22Z	\$2630
46Z 24Z	\$3846
66Z 28Z	\$4251

Step 5. Stone

5UH georgia grey honed marble A +\$0

DPH georgia white honed marble A +\$0

HR wisconsin black honed marble A +\$0

Step 6. Base Finish

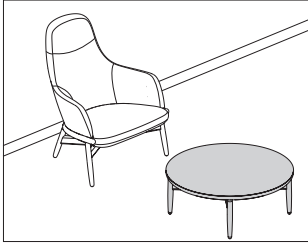
926 black A +\$0

CHR chrome A +\$0

SAC satin chrome A +\$0

Reframe Occasional Table

AFCA
AFCW
AFRA
AFRW
AFSA
AFSW

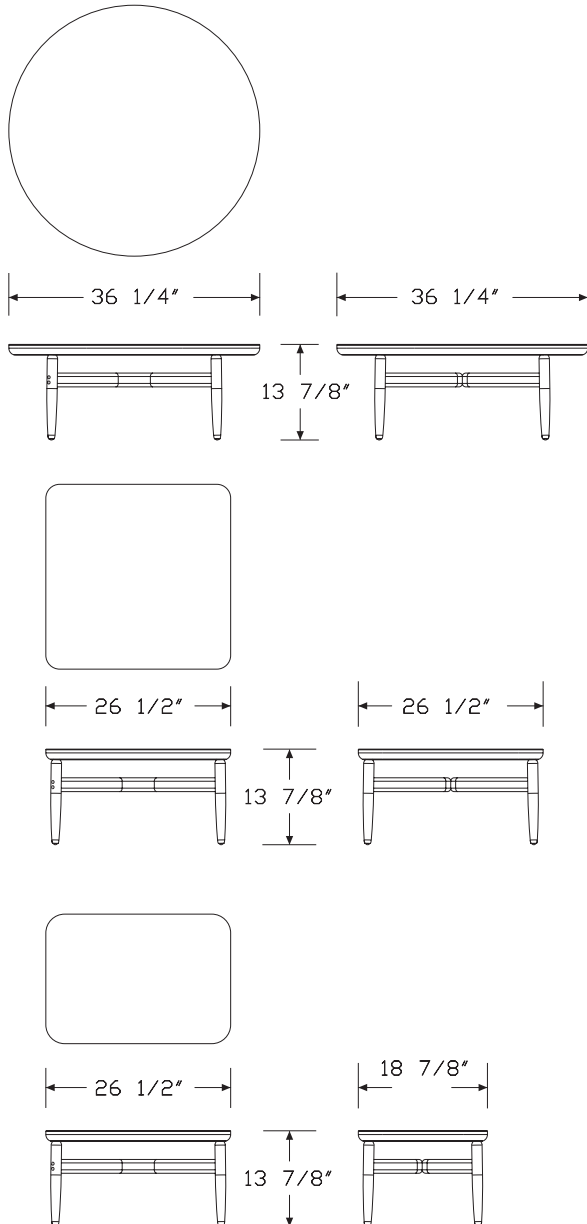


Product Information

Description

This table has a solid ash or walnut frame with a beveled edge veneer surface. Ships fully assembled.

Dimensions



Specification Information

Step 1.

AF

Step 2. Shape

C circular

S square

R rectangular

Step 3. Wood Species

A ash

W walnut

Prices for Steps 1-3.

AFCA	\$1110
AFCW	\$1414
AFSA	\$1008
AFSW	\$1312
AFRA	\$856
AFRW	\$1059

Step 4. Wood Finish

For ash (A)

991	champagne ash, low sheen <input type="checkbox"/>	+\$0
998	ebony ash, low sheen <input type="checkbox"/>	+\$0

For ash (A)

677	chocolate ash, matte sheen <input type="checkbox"/>	+\$0
6A1	white ash, matte sheen <input type="checkbox"/>	+\$0

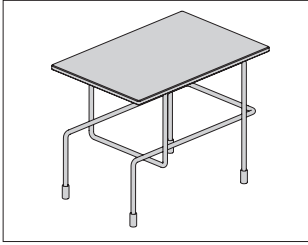
For walnut (W)

972	sundance walnut, low sheen <input type="checkbox"/>	+\$0
EK	medium red walnut, low sheen <input type="checkbox"/>	+\$0
G2U	light brown walnut, low sheen <input type="checkbox"/>	+\$0
G40	dark brown walnut, low sheen <input type="checkbox"/>	+\$0

For walnut (W)

662	toasted walnut, matte sheen <input type="checkbox"/>	+\$0
663	charred walnut, matte sheen <input type="checkbox"/>	+\$0
664	bronzed walnut, matte sheen <input type="checkbox"/>	+\$0
665	smoked walnut, matte sheen <input type="checkbox"/>	+\$0
666	coffee walnut, matte sheen <input type="checkbox"/>	+\$0
GOU	walnut, matte sheen <input type="checkbox"/>	+\$0

Traffic Low Table, White HPL Top XXTV2

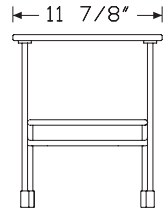
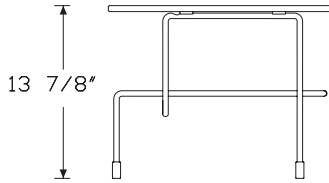
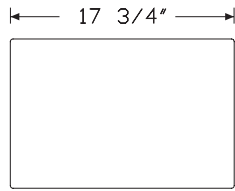


Product Information

Description

This table has a steel rod frame painted in polyester powder with top in white HPL.

Dimensions



Specification Information

Step 1.

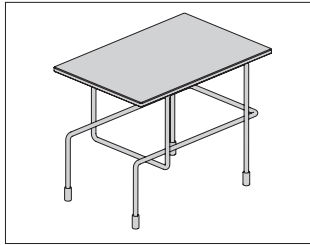
XXTV2707 A \$960

Step 2. Frame Finish

5011 white A +\$0

5013 black A +\$0

Traffic Low Table, Black HPL Top XXTV2

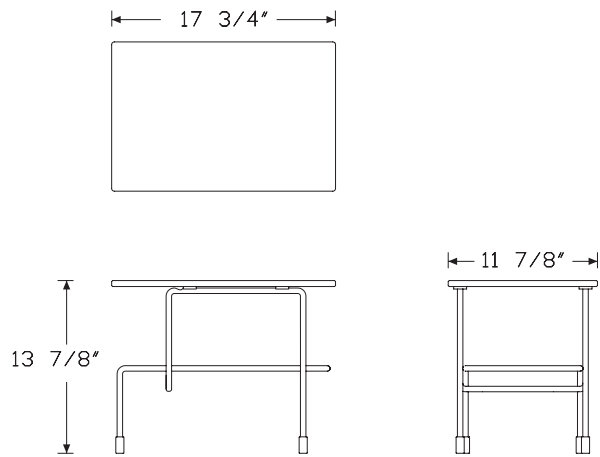


Product Information

Description

This table has a steel rod frame painted in polyester powder with top in black HPL.

Dimensions



Specification Information

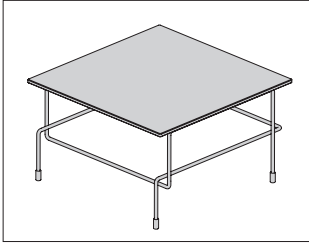
Step 1.

XXTV2708 [A] \$780

Step 2. Frame Finish

5011 white [A] +\$0
5013 black [A] +\$0

Traffic Low Square Table, White XXTV2
HPL Top

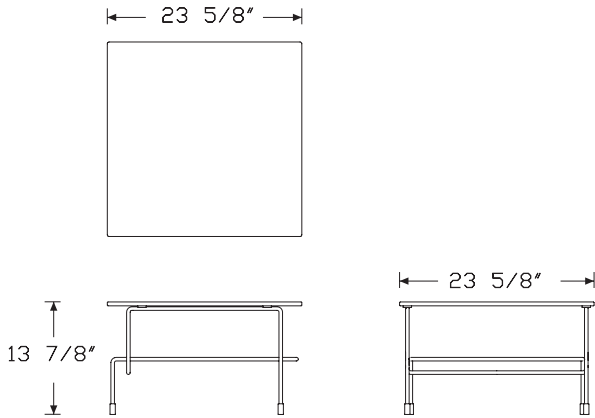


Product Information

Description

This table has a steel rod frame painted in polyester powder with top in white HPL.

Dimensions



Specification Information

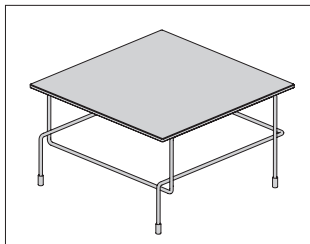
Step 1.

XXTV2717 [A] \$670

Step 2. Frame Finish

5011 white [A] +\$0
5013 black [A] +\$0

Traffic Low Square Table, Black XXTV2
HPL Top

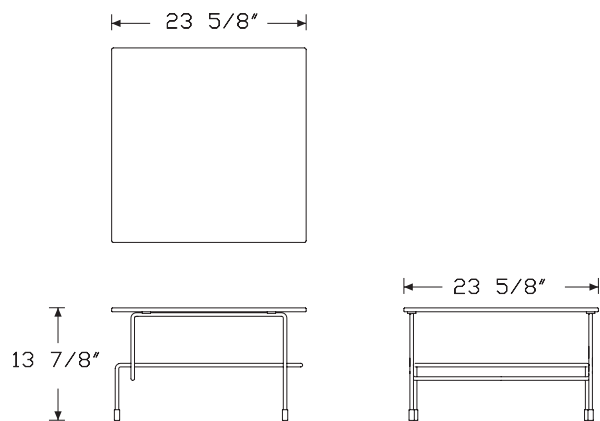


Product Information

Description

This table has a steel rod frame painted in polyester powder with top in black HPL.

Dimensions



Specification Information

Step 1.

XXTV2718 A \$540

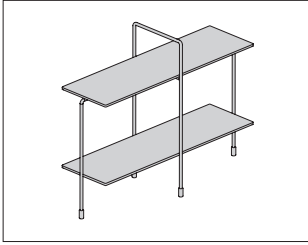
Step 2. Frame Finish

5011 white A +\$0

5013 black A +\$0

Traffic Low Side Table

XXTV2



Product Information

Description

This table has a steel rod frame painted in polyester powder with top in white HPL.

Dimensions

Specification Information

Step 1.

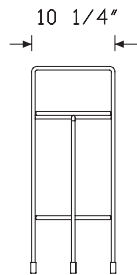
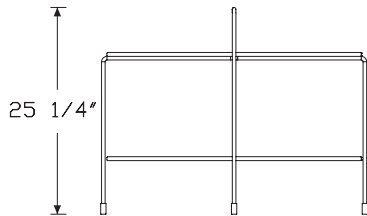
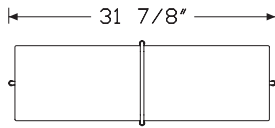
XXTV2727 A \$440

Step 2. Frame Finish

5011 white A +\$0

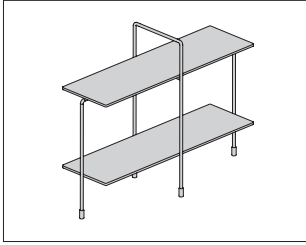
5013 black A +\$0

HermanMiller Collection—Occasional Tables



Traffic Low Side Table, Suitable
for Outdoor Use

XXTV2

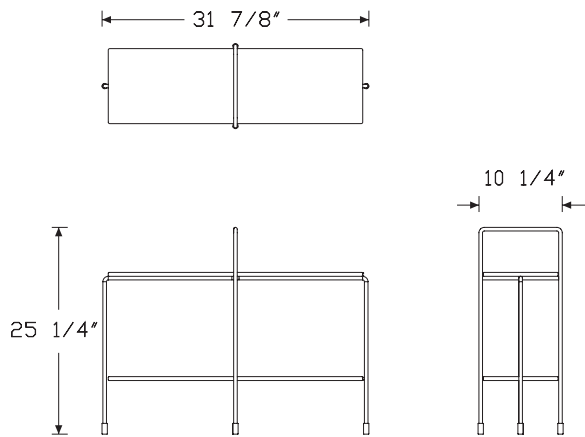


Product Information

Description

This table has a steel rod frame painted in polyester powder with top in black HPL.

Dimensions



Specification Information

Step 1.

XXTV2728 [A] \$380

Step 2. Frame Finish

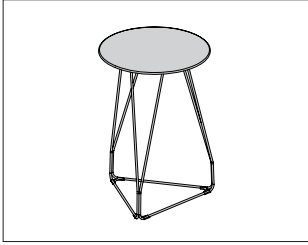
5011 white [A] +\$0

5013 black [A] +\$0

HermanMiller Collection—Occasional Tables

Polygon Wire Table

- PWL14
- PWL22
- PWL26
- PWM14
- PWM18
- PWM26
- PWS16
- PWS20
- PWS26



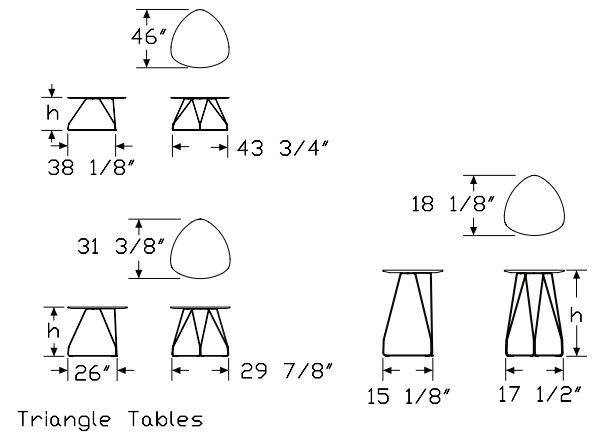
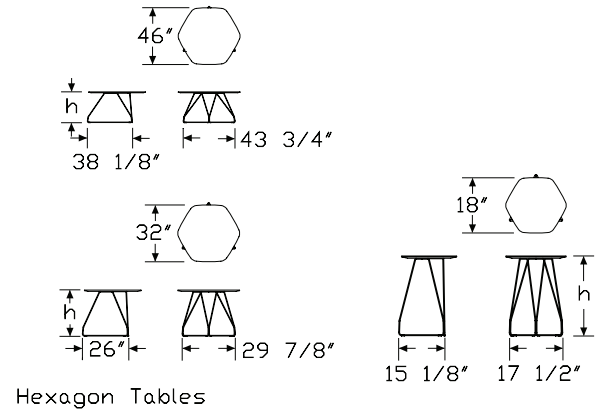
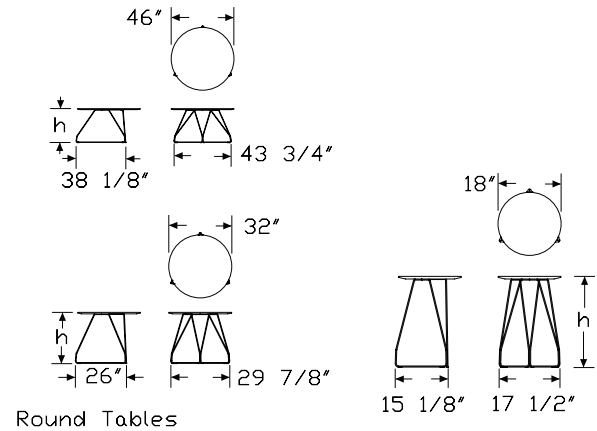
Product Information

Description

This table has a textured Formcoat® top that comes in 3 shapes and 3 sizes. The base is metal with textured paint, comes in 3 heights for each top shape, and has plastic glides. Top and base are the same color.

HermanMiller Collection—Occasional Tables

Dimensions



Polygon Wire Table *continued*

Specification Information

Step 1.

PW

Step 2. Dimensions

S16 18" W top x 16" H base

S20 18" W top x 20" H base

S26 18" W top x 26" H base

M14 32" W top x 14" H base

M18 32" W top x 18" H base

M26 32" W top x 26" H base

L14 46" W top x 14" H base

L22 46" W top x 22" H base

L26 46" W top x 26" H base

Step 3. Top Shape

R round

H hexagon

T triangle

Prices for Steps 1-3.

PWS16	R	\$734
	H	\$734
	T	\$734

PWS20	R	\$760
	H	\$760
	T	\$760

PWS26	R	\$787
	H	\$787
	T	\$787

PWM14	R	\$1114
	H	\$1114
	T	\$1114

PWM18	R	\$1152
	H	\$1152
	T	\$1152

PWM26	R	\$1189
	H	\$1189
	T	\$1189

PWL14	R	\$1494
	H	\$1494
	T	\$1494

PWL22	R	\$1542
	H	\$1542
	T	\$1542

PWL26	R	\$1591
	H	\$1591
	T	\$1591

Step 4. Finish

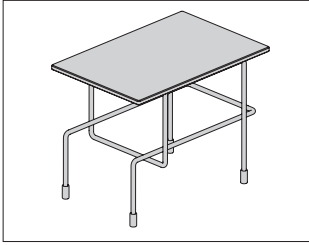
91 white +\$0

BK black +\$0

G1 graphite +\$0

Traffic Low Table

XXTV2

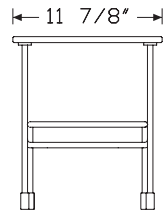
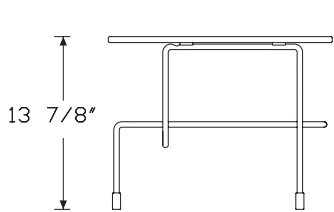
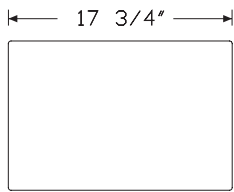


Product Information

Description

This table has a steel rod frame and 12mm acrylic stone top.

Dimensions



Specification Information

Step 1.

XXTV2700 A \$1059

Step 2. Frame Finish

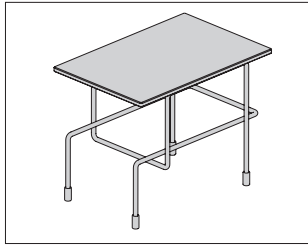
5011 white A +\$0

5013 black A +\$0

HermanMiller Collection—Occasional Tables

Traffic Low Table, Suitable for Outdoor Use

XXTV2

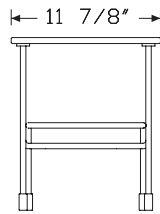
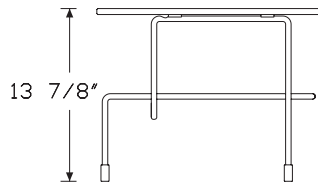
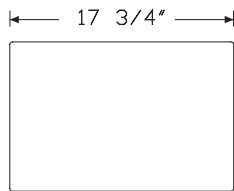


Product Information

Description

This table has a steel rod frame and 12mm acrylic stone top. Suitable for outdoor use.

Dimensions



Specification Information

Step 1.

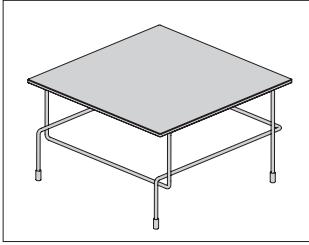
XXTV2701 A \$1231

Step 2. Frame Finish

5011 white A +\$0

Traffic Low Square Table

XXTV2

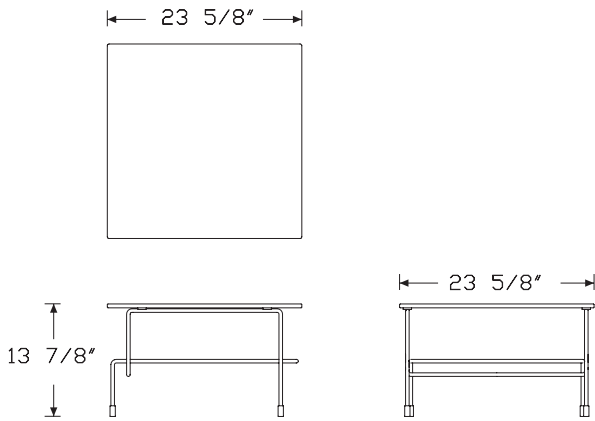


Product Information

Description

This table has a steel rod frame and 12mm acrylic stone top.

Dimensions



Specification Information

Step 1.

XXTV2710 A \$950

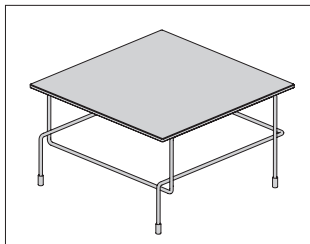
Step 2. Frame Finish

5011 white A +\$0

5013 black A +\$0

HermanMiller Collection—Occasional Tables

Traffic Low Square Table, Suitable for Outdoor Use XXTV2

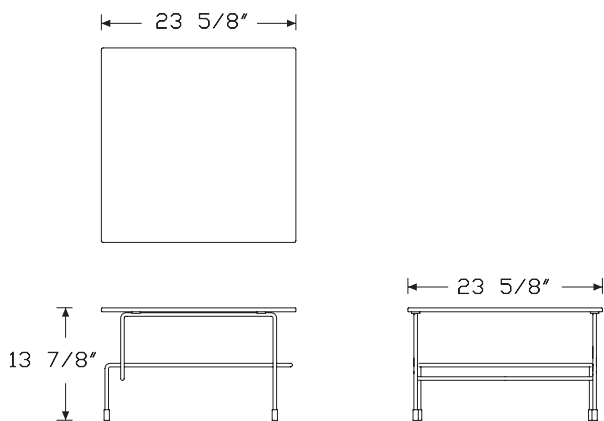


Product Information

Description

This table has a steel rod frame and 12mm acrylic stone top. Suitable for outdoor use.

Dimensions



Specification Information

Step 1.

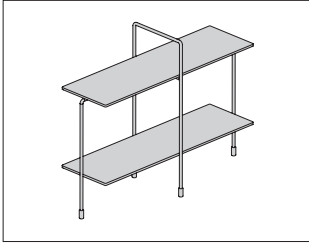
XXTV2711 [A] \$1057

Step 2. Frame Finish

5011 white [A] +\$0

Traffic Low Side Table

XXTV2

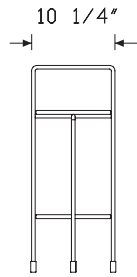
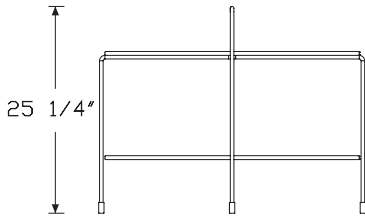
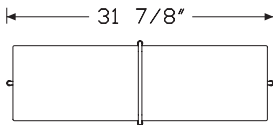


Product Information

Description

This table has a steel rod frame and 12mm acrylic stone top.

Dimensions



Specification Information

Step 1.

XXTV2720 A \$605

Step 2. Frame Finish

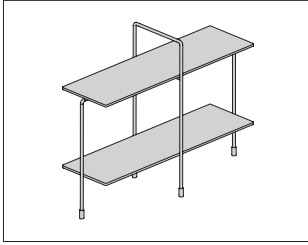
5011 white A +\$0

5013 black A +\$0

HermanMiller Collection—Occasional Tables

Traffic Low Side Table, Suitable
for Outdoor Use

XXTV2

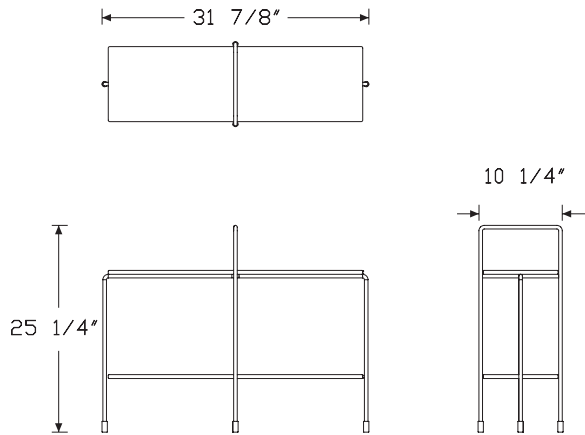


Product Information

Description

This table has a steel rod frame and 12mm acrylic stone top. Suitable for outdoor use.

Dimensions



Specification Information

Step 1.

XXTV2721 A \$666

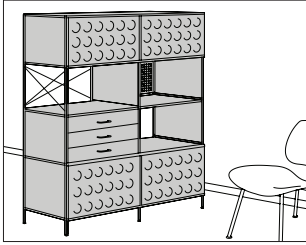
Step 2. Frame Finish

5011 white A +\$0

Storage

Eames® Storage Unit

ESU100
ESU150
ESU201
ESU230
ESU420



Product Information

Description

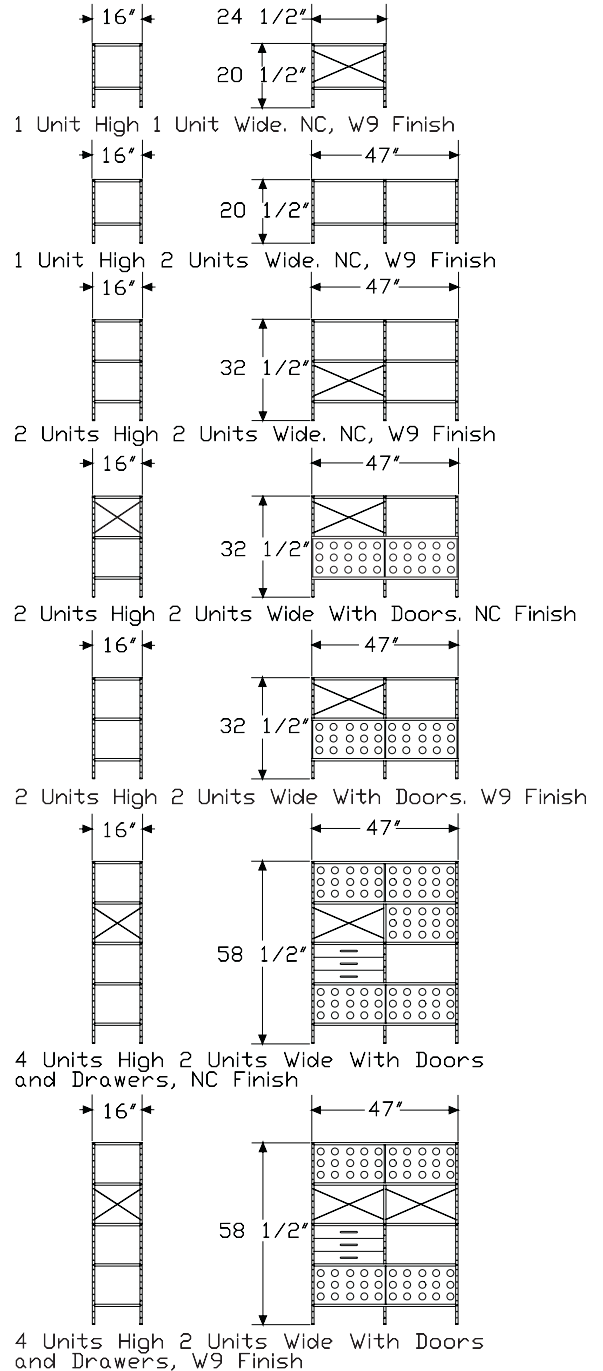
This storage unit is available in 1, 2, or 4 units high and 1 or 2 units wide with 5 configurations of shelves, drawers, and enclosed storage for books or binders. Some units have dimpled plywood doors; plywood drawer units and shelves; painted side and back panels; and steel uprights, cross supports, and perforated panels. The storage unit has adjustable glides.

Notes

For 2 units high, 2 units wide configurations (ESU201., ESU230.) with natural color (NC) surface finish, the divider between the top shelves is a cross-bar wire.

For 2 units high, 2 units wide configurations (ESU201., ESU230.) with multi-color (W9) surface finish, the divider between the top shelves is a blue panel.

Dimensions



Eames® Storage Unit *continued*

Specification Information

Step 1.

ESU A

Step 2. Configuration

150. 1 unit high, 1 unit wide A

100. 1 unit high, 2 units wide A

201. 2 units high, 2 units wide A

230. 2 units high, 2 units wide, with doors A

420. 4 units high, 2 units wide A

Prices for Steps 1-2.

ESU150.	\$832
ESU100.	\$1402
ESU201.	\$1868
ESU230.	\$2387
ESU420.	\$4408

Step 3. Frame Finish

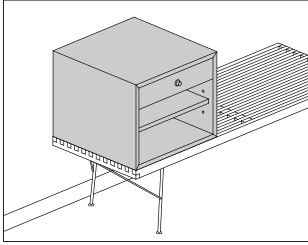
		150.	100.	201.	230.	420.
ZC	zinc plated <input type="checkbox"/> A	+\$0	0	0	0	0
BU	black <input type="checkbox"/> A	+\$49	49	77	77	157

Step 4. Surface Finish

NC	natural color <input type="checkbox"/> A	+\$0
W9	multi-color <input type="checkbox"/> A	+\$0

Nelson™ Basic Cabinet Series
16.5 x 18

BC1618

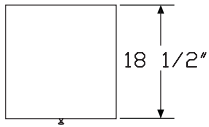


Product Information

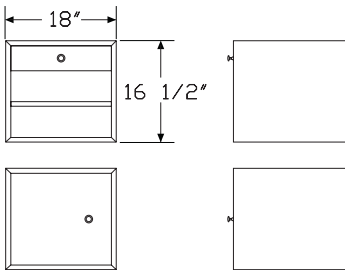
Description

This veneer cabinet provides small item storage and can be used freestanding or placed on top of the Nelson™ platform bench.

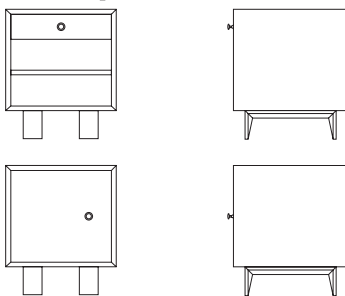
Dimensions



platform bench-mount base (B)



wood leg (W)



Specification Information

Step 1.

BC1618. [A]

Step 2. Type

- B** open cabinet with 1 drawer [A]
- C** closed cabinet, left-hinged door [A]
- D** closed cabinet, right-hinged door [A]

Step 3. Leg/Base Option

- W** wood leg [A]
- B** platform bench-mount base [A]

Step 4. Pull

- A** aluminum alloy pull, silver [A]

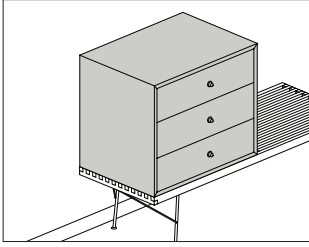
Prices for Steps 1-4.

			A
BC1618.	B	W	\$1028
		B	\$1028
	C	W	\$1028
		B	\$1028
	D	W	\$1028
		B	\$1028

Step 5. Finish

2U	light brown walnut [A]	+\$0
OK	natural oak [A]	+\$0
OU	walnut [A]	+\$0

Nelson™ Basic Cabinet Series BC2424
24 X 24



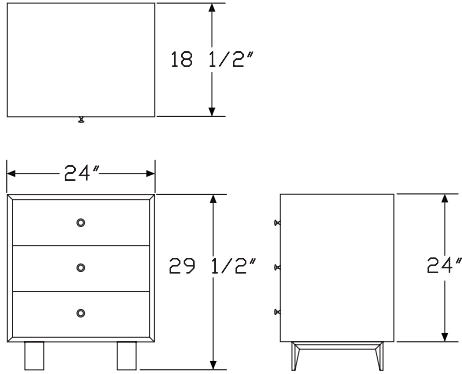
HermanMiller Collection—Storage

Product Information

Description

This veneer cabinet provides small item storage and can be used freestanding or placed on top of a Nelson™ platform bench.

Dimensions



Specification Information

Step 1.

BC2424. A

Step 2. Type

E 3-drawer cabinet A

Step 3. Leg/Base Option

W wood leg A

B platform bench-mount base A

Step 4. Pull

A aluminum alloy pull, silver A

Prices for Steps 1-4.

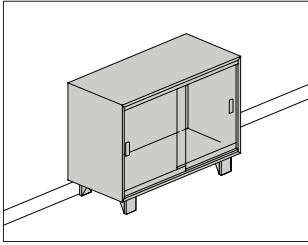
		A
BC2424. E	W	\$2287
	B	\$2110

Step 5. Finish

2U	light brown walnut <input type="checkbox"/> A	+\$0
OK	natural oak <input type="checkbox"/> A	+\$0
OU	walnut <input type="checkbox"/> A	+\$0

Nelson™ Basic Cabinet Series
24 X 34

BC2434

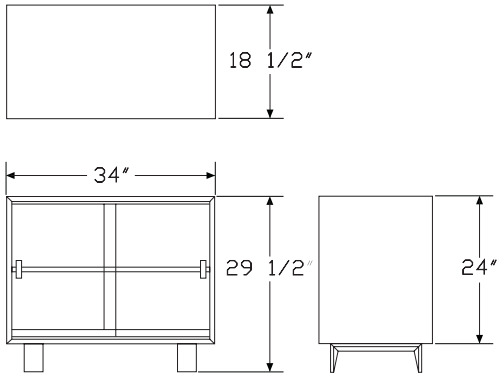


Product Information

Description

This veneer cabinet has 2 sliding glass doors and can be used freestanding or placed on top of a Nelson™ platform bench.

Dimensions



Specification Information

Step 1.

BC2434. [A]

Step 2. Type

J closed cabinet, 2 sliding doors [A]

Step 3. Leg/Base Option

W wood leg [A]

B platform bench-mount base [A]

Step 4. Pull

N no pull [A]

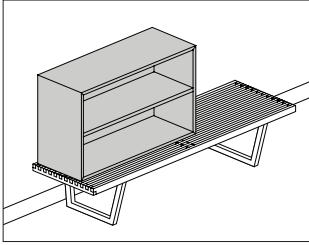
Prices for Steps 1-4.

			N
BC2434. J	W		\$2501
	B		\$2325

Step 5. Finish

2U	light brown walnut [A]	+\$0
OK	natural oak [A]	+\$0
OU	walnut [A]	+\$0

Nelson™ Basic Cabinet Series BC2400
24 x 34 Bookcase



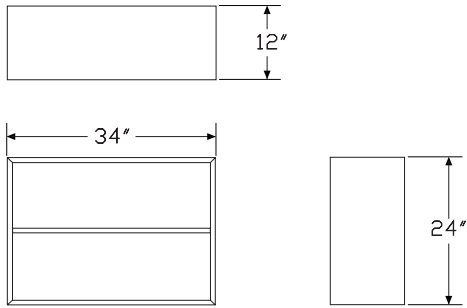
HermanMiller Collection—Storage

Product Information

Description

This 12"-deep veneer open bookcase sits on a Nelson™ platform bench and has a shelf that adjusts in 2" increments over a 6" range.

Dimensions



Specification Information

Step 1.

BC2400. A

Step 2. Type

H open bookcase A

Step 3. Leg/Base Option

B platform bench-mount base A

Step 4. Pull

N no pull A

Prices for Steps 1-4.

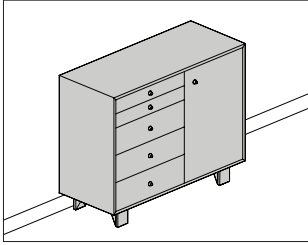
	N
BC2400. H B	\$1360

Step 5. Finish

2U light brown walnut <input type="checkbox"/> A	+ \$0
OK natural oak <input type="checkbox"/> A	+ \$0
OU walnut <input type="checkbox"/> A	+ \$0

Nelson™ Basic Cabinet Series
34 X 40

BC3440



Product Information

Description

This veneer freestanding cabinet is available with 5 drawers on the left side with a single door on the right, or with 2 full width drawers over double drawers.

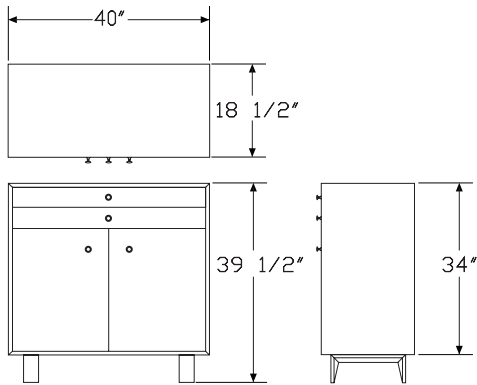
Notes

5-drawer cabinet with door option (L) has 2 shelves behind the door.

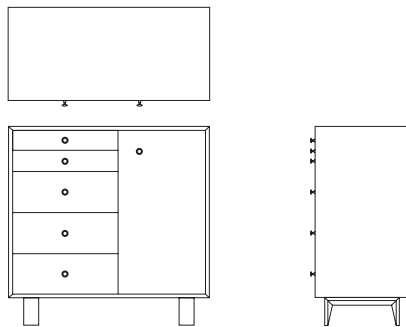
Each shelf adjusts in 2" increments over a 6" range.

Cabinet, 2 drawers over 2 doors option (M) has 1 shelf that adjusts in 2" increments over a 6" range.

Dimensions



M



L

Specification Information

Step 1.

BC3440. [A]

Step 2. Type

L 5-drawer cabinet with door [A]

M cabinet, 2 drawers over 2 doors [A]

Step 3. Leg Option

W wood leg [A]

Step 4. Pull

A aluminum alloy pull, silver [A]

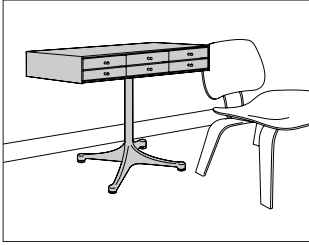
Prices for Steps 1-4.

	A
BC3440. L W	\$3158
M W	\$2894

Step 5. Finish

2U light brown walnut [A]	+\$0
OK natural oak [A]	+\$0
OU walnut [A]	+\$0

Nelson™ Miniature Chest 6 Drawer NC526
NC556



Product Information

Description

This chest has 6 small drawers with metal pulls. The chest body and drawers are constructed of solid wood as specified, with laminate on the top surface. Depending on the model, it has 3/8" solid-brass glides or a 4-star aluminum base with adjustable glides.

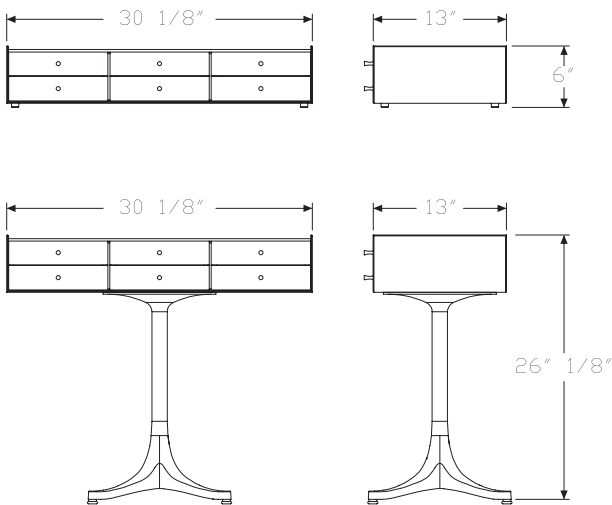
Notes

For the walnut and dark brown walnut combination (RT) option, the case finish is solid walnut and the drawer fronts are solid walnut stained dark brown.

For the white ash and walnut combination (UR) option, the case finish is solid white ash and the drawer fronts are solid walnut.

For the teak and dark brown teak combination (US) option, the case finish is solid teak and the drawer fronts are solid teak stained dark brown.

Dimensions



Specification Information

Step 1.

NC5 A

Step 2. Type

26 without pedestal base A

56 with pedestal base A

Prices for Steps 1-2.

NC526	\$3143
NC556	\$3609

Step 3. Case Finish

OU	walnut <input type="checkbox"/> A	+\$0
RT	walnut and dark brown walnut combination <input type="checkbox"/> A	+\$0
A2	white ash <input type="checkbox"/> A	+\$115
UR	white ash and walnut combination <input type="checkbox"/> A	+\$115
OT	teak <input type="checkbox"/> A	+\$591
US	teak and dark brown teak combination <input type="checkbox"/> A	+\$591

Step 4. Top Finish

Solid-Color Laminate

98	studio white <input type="checkbox"/> A	+\$0
BK	black - generic <input type="checkbox"/> A	+\$0

Step 5. Pull Finish

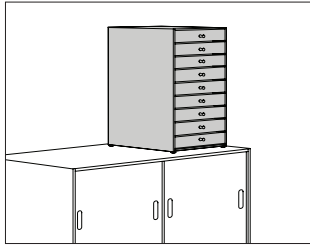
98	metal pull, studio white <input type="checkbox"/> A	+\$0
BK	metal pull, black <input type="checkbox"/> A	+\$0
L	metal pull, aluminum <input type="checkbox"/> A	+\$0

Step 6. Base Finish

For with pedestal base (56)

98	studio white <input type="checkbox"/> A	+\$0
BK	black <input type="checkbox"/> A	+\$0
L	polished aluminum <input type="checkbox"/> A	+\$50

Nelson™ Miniature Chest 9 Drawer NC529
NC559



Product Information

Description

This chest has 9 small drawers with metal pulls. The chest body and drawers are constructed of solid wood as specified. Depending on the model, it has 3/8" solid-brass glides or a 4-star aluminum base with adjustable glides.

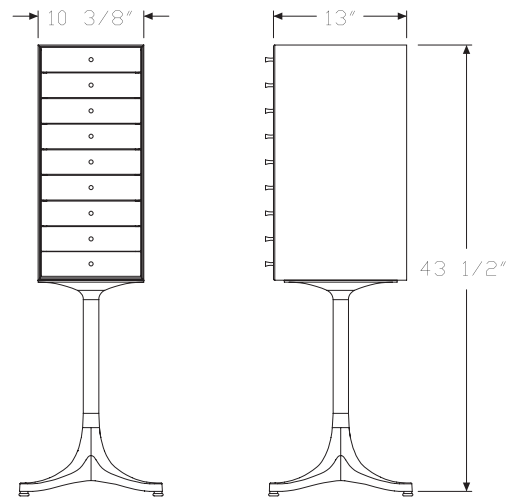
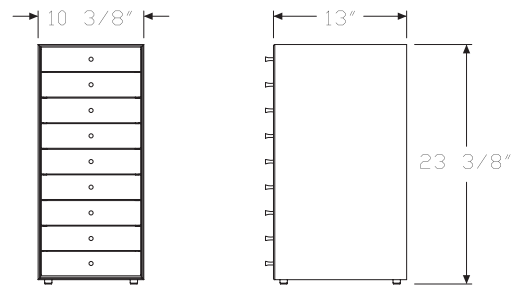
Notes

For the walnut and dark brown walnut combination (RT) option, the case finish is solid walnut and the drawer fronts are solid walnut stained dark brown.

For the white ash and walnut combination (UR) option, the case finish is solid white ash and the drawer fronts are solid walnut.

For the teak and dark brown teak combination (US) option, the case finish is solid teak and the drawer fronts are solid teak stained dark brown.

Dimensions



Nelson™ Miniature Chest 9 Drawer

continued

Specification Information

Step 1.

NC5

Step 2. Type

29 without pedestal base

59 with pedestal base

Prices for Steps 1-2.

NC529	\$3364
NC559	\$3805

Step 3. Case Finish

OU	walnut <input type="checkbox"/>	+\$0
RT	walnut and dark brown walnut combination <input type="checkbox"/>	+\$0
A2	white ash <input type="checkbox"/>	+\$144
UR	white ash and walnut combination <input type="checkbox"/>	+\$144
OT	teak <input type="checkbox"/>	+\$856
US	teak and dark brown teak combination <input type="checkbox"/>	+\$856

Step 4. Pull Finish

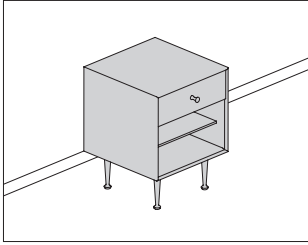
98	metal pull, studio white <input type="checkbox"/>	+\$0
BK	metal pull, black <input type="checkbox"/>	+\$0
L	metal pull, aluminum <input type="checkbox"/>	+\$0

Step 5. Base Finish

For with pedestal base (59)

98	studio white <input type="checkbox"/>	+\$0
BK	black <input type="checkbox"/>	+\$0
L	polished aluminum <input type="checkbox"/>	+\$50

Nelson™ Thin Edge Bedside Table TE1618



Product Information

Description

This bedside table has polished aluminum legs. The drawer has solid wood construction with soft closing slides.

Notes

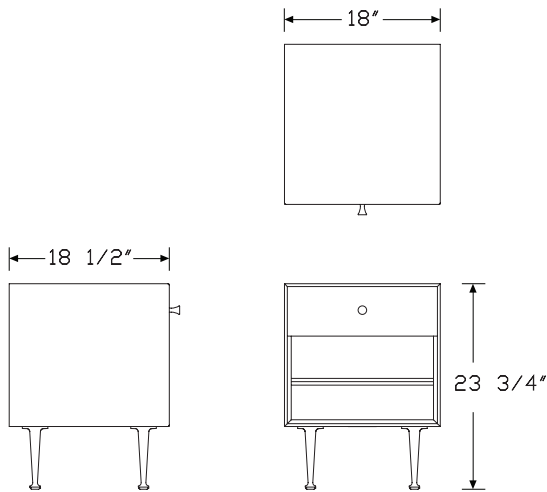
The unfinished back panel (BCF) option is intended for applications where this table will be placed against a wall.

For the walnut and dark brown walnut combination (RT) option, the case finish is walnut (OU) and the drawer or door fronts are dark brown walnut (40).

For the white ash and walnut combination (UR) option, the case finish is white ash (A2) and the drawer or door fronts are walnut (OU).

Santos palisander veneer is celebrated for its unique grain and color variations. Similar products ordered in multiples or dissimilar products ordered separately should be expected to have variation in both grain and color characteristics; no two products will look exactly alike.

Dimensions



Specification Information

Step 1.

TE1618. [A]

Step 2. Type

L bedside table with 1 drawer and 1 shelf [A]

Step 3. Leg

H 7" polished aluminum with height adjustable glide [A]

Step 4. Pull

A aluminum alloy pull, silver [A]

B metal pull, aluminum [A]

C metal pull, white [A]

D metal pull, black [A]

Prices for Steps 1-4.

		A	B	C	D
TE1618.	L H	\$2082	2107	2107	2107

Step 5. Case Finish

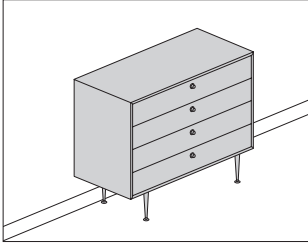
OU	walnut [A]				+\$0
A2	white ash [A]				+\$182
RT	walnut and dark brown walnut combination [A]				+\$182
UR	white ash and walnut combination [A]				+\$182
9N	santos palisander [A]				+\$6305

Step 6. Back Panel

		OU	A2	RT	UR	9N
BCF	unfinished (matte black) [A]	+\$0	0	0	0	0
BCG	finished alike [A]	+\$155	155	155	155	1397

Nelson™ Thin Edge Chest

TE2100



HermanMiller Collection—Storage

Product Information

Description

This chest has polished aluminum legs and either 3 or 4 drawers. Drawers are solid wood construction with soft closing slides.

Notes

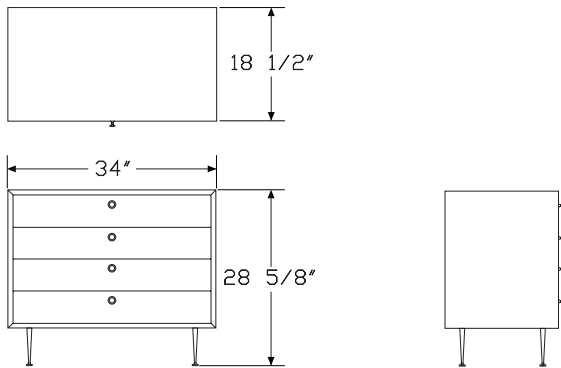
The unfinished back panel (BCF) option is intended for applications where this chest will be placed against a wall.

For the walnut and dark brown walnut combination (RT) option, the case finish is walnut (OU) and the drawer or door fronts are dark brown walnut (40).

For the white ash and walnut combination (UR) option, the case finish is white ash (A2) and the drawer or door fronts are walnut (OU).

Santos palisander veneer is celebrated for its unique grain and color variations. Similar products ordered in multiples or dissimilar products ordered separately should be expected to have variation in both grain and color characteristics; no two products will look exactly alike.

Dimensions



Specification Information

Step 1.

TE2100. [A]

Step 2. Type

- S** 4 drawer chest [A]
- T** 3 drawer chest [A]

Step 3. Leg

- H** 7" polished aluminum with height adjustable glide [A]

Step 4. Pull

- A** aluminum alloy pull, silver [A]
- B** metal pull, aluminum [A]
- C** metal pull, white [A]
- D** metal pull, black [A]

Prices for Steps 1-4.

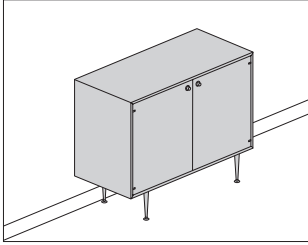
		A	B	C	D
TE2100.	S H	\$4984	5037	5037	5037
	T H	\$4735	4787	4787	4787

Step 5. Case Finish

- OU** walnut [A] +\$0
- A2** white ash [A] +\$233
- RT** walnut and dark brown walnut combination [A] +\$233
- UR** white ash and walnut combination [A] +\$233
- 9N** santos palisander [A] +\$6305

Step 6. Back Panel

		OU	A2	RT	UR	9N
BCF	unfinished (matte black) [A]	+\$0	0	0	0	0
BCG	finished alike [A]	+\$155	155	155	155	776



Product Information

Description

This 2-door cabinet has polished aluminum legs and one adjustable shelf.

Notes

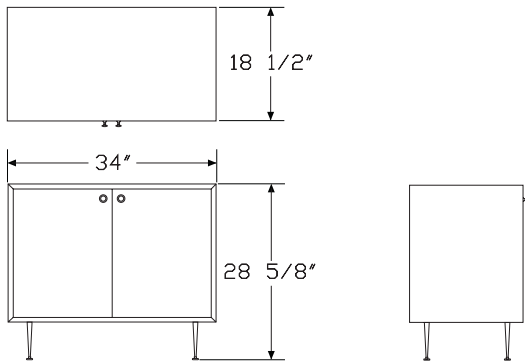
The unfinished back panel (BCF) option is intended for applications where this chest will be placed against a wall.

For the walnut and dark brown walnut combination (RT) option, the case finish is walnut (OU) and the drawer or door fronts are dark brown walnut (40).

For the white ash and walnut combination (UR) option, the case finish is white ash (A2) and the drawer or door fronts are walnut (OU).

Santos palisander veneer is celebrated for its unique grain and color variations. Similar products ordered in multiples or dissimilar products ordered separately should be expected to have variation in both grain and color characteristics; no two products will look exactly alike.

Dimensions



Specification Information

Step 1.

TE2134. [A]

Step 2. Type

G enclosed cabinet with 2 hinged doors [A]

Step 3. Leg

H 7" polished aluminum with height adjustable glide [A]

Step 4. Pull

A aluminum alloy pull, silver [A]

B metal pull, aluminum [A]

C metal pull, white [A]

D metal pull, black [A]

Prices for Steps 1-4.

	A	B	C	D
TE2134. G H	\$3902	3954	3954	3954

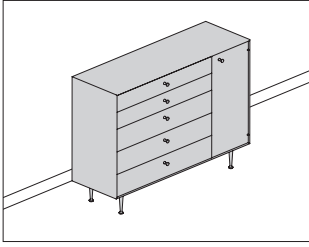
Step 5. Case Finish

OU	walnut [A]				+\$0
A2	white ash [A]				+\$182
RT	walnut and dark brown walnut combination [A]				+\$182
UR	white ash and walnut combination [A]				+\$182
9N	santos palisander [A]				+\$6305

Step 6. Back Panel

		OU	A2	RT	UR	9N
BCF	unfinished (matte black) [A]	+\$0	0	0	0	0
BCG	finished alike [A]	+\$155	155	155	155	1397

Nelson™ Thin Edge Chest Cabinet TE3400



HermanMiller Collection—Storage

Product Information

Description

This chest cabinet has polished aluminum legs. The 5 drawers have solid wood construction with soft closing slides. The 1-door cabinet portion has 2 adjustable shelves.

Notes

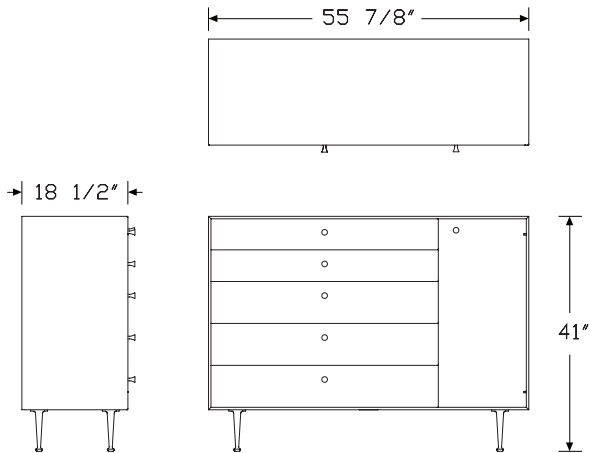
The unfinished back panel (BCF) option is intended for applications where this chest will be placed against a wall.

For the walnut and dark brown walnut combination (RT) option, the case finish is walnut (OU) and the drawer or door fronts are dark brown walnut (40).

For the white ash and walnut combination (UR) option, the case finish is white ash (A2) and the drawer or door fronts are walnut (OU).

Santos palisander veneer is celebrated for its unique grain and color variations. Similar products ordered in multiples or dissimilar products ordered separately should be expected to have variation in both grain and color characteristics; no two products will look exactly alike.

Dimensions



Specification Information

Step 1.

TE3400. A

Step 2. Type

E 5 drawer cabinet with 1 right door A

M 5 drawer cabinet with 1 left door A

Step 3. Leg

H 7" polished aluminum with height adjustable glide A

Step 4. Pull

A aluminum alloy pull, silver A

B metal pull, aluminum A

C metal pull, white A

D metal pull, black A

Prices for Steps 1-4.

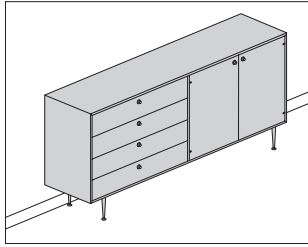
		A	B	C	D
TE3400.	E H	\$8330	8382	8382	8382
	M H	\$8330	8382	8382	8382

Step 5. Case Finish

OU	walnut A				+\$0
A2	white ash A				+\$384
RT	walnut and dark brown walnut combination A				+\$384
UR	white ash and walnut combination A				+\$384
9N	santos palisander A				+\$8991

Step 6. Back Panel

		OU	A2	RT	UR	9N
BCF	unfinished (matte black) A	+\$0	0	0	0	0
BCG	finished alike A	+\$260	260	260	260	2796



Product Information

Description

This buffet has polished aluminum legs. The four drawers have solid wood construction with soft closing slides. The two-door cabinet portion has 2 adjustable shelves.

Notes

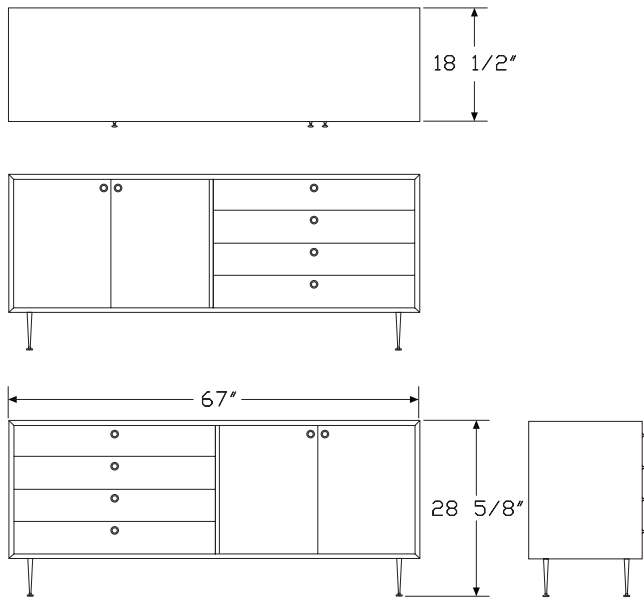
The unfinished back panel (BCF) option is intended for applications where this chest will be placed against a wall.

For the walnut and dark brown walnut combination (RT) option, the case finish is walnut (OU) and the drawer or door fronts are dark brown walnut (40).

For the white ash and walnut combination (UR) option, the case finish is white ash (A2) and the drawer or door fronts are walnut (OU).

Santos palisander veneer is celebrated for its unique grain and color variations. Similar products ordered in multiples or dissimilar products ordered separately should be expected to have variation in both grain and color characteristics; no two products will look exactly alike.

Dimensions



Specification Information

Step 1.

TE2167. [A]

Step 2. Type

R 4 drawer buffet with 2 doors [A]

L 4 drawer buffet with 2 left doors [A]

Step 3. Leg

H 7" polished aluminum with height adjustable glide [A]

Step 4. Pull

A aluminum alloy pull, silver [A]

B metal pull, aluminum [A]

C metal pull, white [A]

D metal pull, black [A]

Prices for Steps 1-4.

		A	B	C	D
TE2167.	R H	\$8204	8258	8258	8258
	L H	\$8204	8258	8258	8258

Step 5. Case Finish

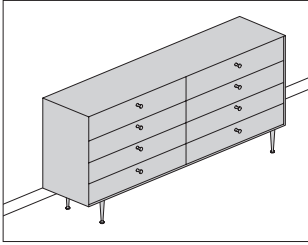
OU	walnut [A]				+\$0
A2	white ash [A]				+\$384
RT	walnut and dark brown walnut combination [A]				+\$384
UR	white ash and walnut combination [A]				+\$384
9N	santos palisander [A]				+\$8991

Step 6. Back Panel

		OU	A2	RT	UR	9N
BCF	unfinished (matte black) [A]	+\$0	0	0	0	0
BCG	finished alike [A]	+\$260	260	260	260	2796

Nelson™ Thin Edge Double Dresser

TE0204



HermanMiller Collection—Storage

Product Information

Description

This double dresser has polished aluminum legs. The 8 drawers have solid wood construction with soft closing slides.

Notes

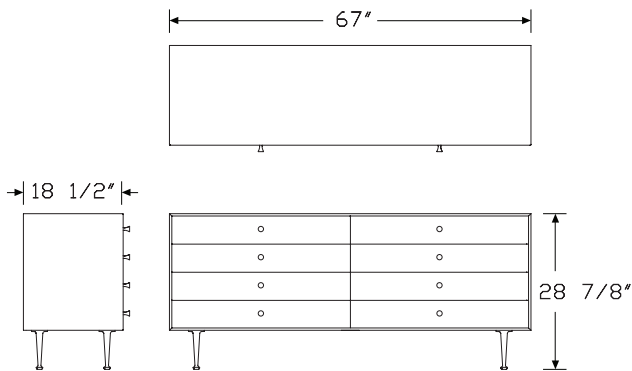
The unfinished back panel (BCF) option is intended for applications where this dresser will be placed against a wall.

For the walnut and dark brown walnut combination (RT) option, the case finish is walnut (OU) and the drawer or door fronts are dark brown walnut (40).

For the white ash and walnut combination (UR) option, the case finish is white ash (A2) and the drawer or door fronts are walnut (OU).

Santos palisander veneer is celebrated for its unique grain and color variations. Similar products ordered in multiples or dissimilar products ordered separately should be expected to have variation in both grain and color characteristics; no two products will look exactly alike.

Dimensions



Specification Information

Step 1.

TE0204. A

Step 2. Type

J eight drawer dresser A

Step 3. Leg

H 7" polished aluminum with height adjustable glide A

Step 4. Pull

A aluminum alloy pull, silver A

B metal pull, aluminum A

C metal pull, white A

D metal pull, black A

Prices for Steps 1-4.

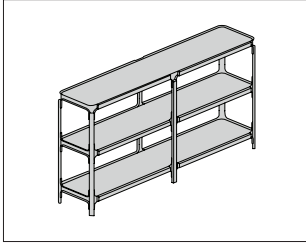
	A	B	C	D
TE0204. J H	\$6994	7046	7046	7046

Step 5. Case Finish

OU walnut A				+\$0
A2 white ash A				+\$384
RT walnut and dark brown walnut combination A				+\$384
UR white ash and walnut combination A				+\$384
9N santos palisander A				+\$8991

Step 6. Back Panel

	OU	A2	RT	UR	9N
BCF unfinished (matte black) A	+\$0	0	0	0	0
BCG finished alike A	+\$260	260	260	260	2796

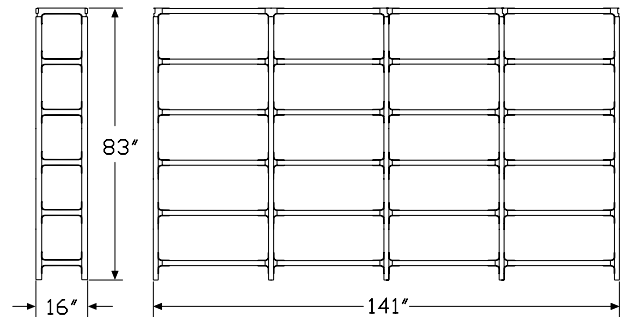
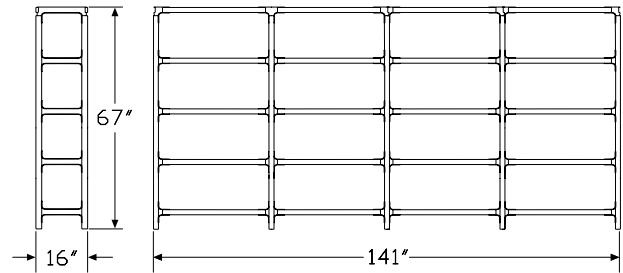
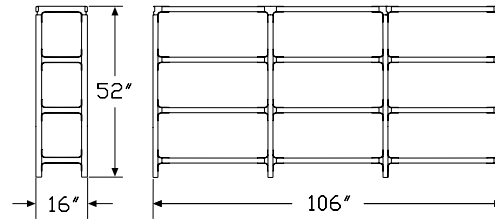
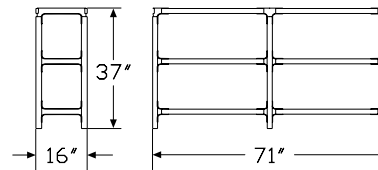
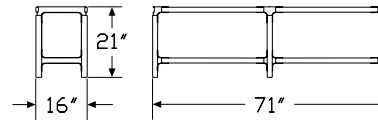


Product Information

Description

This shelving system has a natural beech frame, available in natural or painted. Steel plate joints are painted in epoxy resin. Shelves are painted medium-density fiberboard.

Dimensions



Steelwood Shelving System

continued

HermanMiller Collection—Storage

Specification Information

Step 1.

MGS90. A

Step 2. Number of Shelves

- 2 2 shelves A
- 3 3 shelves A
- 4 4 shelves A
- 5 5 shelves A
- 6 6 shelves A

Step 3. Number of Modules

- 1 1 Module A
- 2 2 modules A
- 3 3 modules A
- 4 4 modules A

Prices for Steps 1-3.

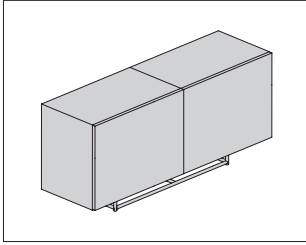
	1	2	3	4
MGS90.2	\$909	1682	2419	3176
3	\$1291	2366	3449	4541
4	\$1735	3139	4566	5960
5	\$2251	4015	5781	7550
6	\$2786	4967	7175	9335

Step 4. Frame/Shelf Finish

- YMB** black A +\$0
- YMC** natural beech/white A +\$0
- YMF** white A +\$0

Domino Credenza

IWCS2



Product Information

Description

This credenza provides shelf storage, is 2 units wide, and comes with contrasting exterior and interior veneer. Standard interior veneer is ash, and exterior veneer is available in santos palisander, walnut, and ebony. Credenza back exterior is finished. Bases and pulls are metal with chrome or satin chrome finish. Hinged door units 26" high include 1 adjustable shelf that is 3/4" thick.

Notes

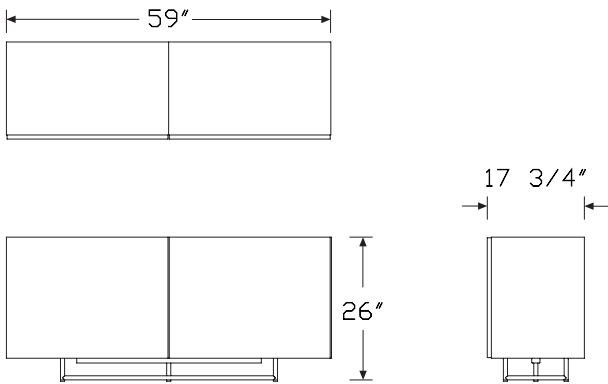
Locks are not available.

Shelves match interior finish.

Wood components in credenzas 2 and 3 units wide ship assembled.

Bases ship separately and must be field installed.

Dimensions



Specification Information

Step 1.

IWCS2C-185926 [A] \$5026

Step 2. Wood Finish

Matte Finishes

DAE	ebony exterior, ash interior [A]	+\$0
DAR	santos palisander exterior, ash interior [A]	+\$0
DAW	walnut exterior, ash interior [A]	+\$0

Step 3. Base Finish

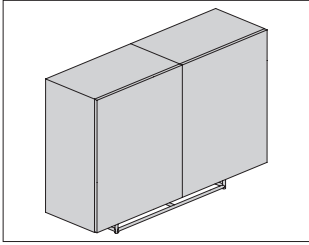
CHR	chrome [A]	+\$0
SAC	satin chrome [A]	+\$0

Step 4. Pull Finish

CHR	chrome [A]	+\$0
SAC	satin chrome [A]	+\$0

Domino Sideboard

IWSS2



HermanMiller Collection—Storage

Product Information

Description

This sideboard provides shelf storage, is 2 units wide, and comes with contrasting exterior and interior veneer. Standard interior veneer is ash, and exterior veneer is available in santos palisander, walnut, and ebony. Credenza back exterior is finished. Bases and pulls are metal with chrome or satin chrome finish. Hinged door units 40" high include 2 adjustable shelves that are each $\frac{3}{4}$ " thick.

Notes

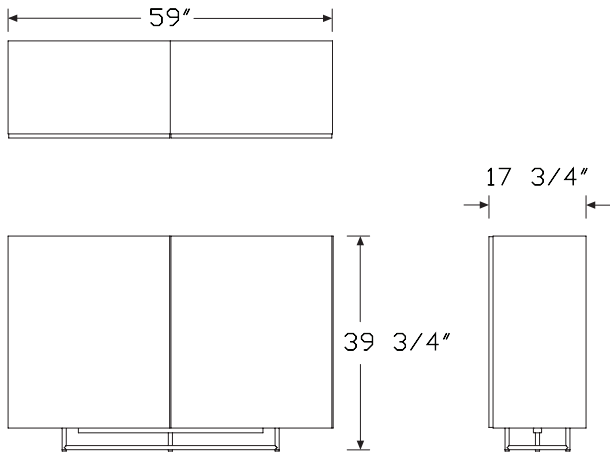
Locks are not available.

Shelves match interior finish.

Wood components in credenzas 2 and 3 units wide ship assembled.

Bases ship separately and must be field installed.

Dimensions



Specification Information

Step 1.

IWSS2C-185940 [A] \$6107

Step 2. Wood Finish

Matte Finishes

DAE ebony exterior, ash interior [A] +\$0
DAR santos palisander exterior, ash interior [A] +\$0
DAW walnut exterior, ash interior [A] +\$0

Step 3. Base Finish

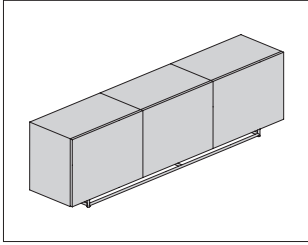
CHR chrome [A] +\$0
SAC satin chrome [A] +\$0

Step 4. Pull Finish

CHR chrome [A] +\$0
SAC satin chrome [A] +\$0

Domino Credenza

IWCS3



Product Information

Description

This credenza provides shelf storage, is 3 units wide, and comes with contrasting exterior and interior veneer. Standard interior veneer is ash, and exterior veneer is available in santos palisander, walnut, and ebony. Credenza back exterior is finished. Bases and pulls are metal with chrome or satin chrome finish. Hinged door units 26" high include 1 adjustable shelf that is 3/4" thick.

Notes

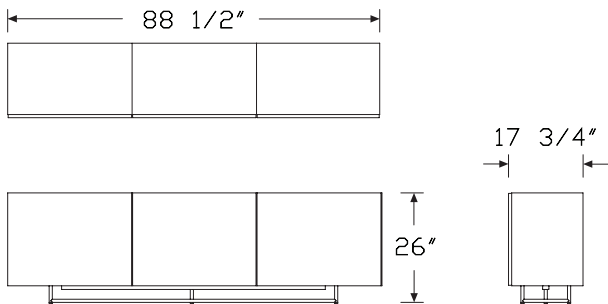
Locks are not available.

Shelves match interior finish.

Wood components in credenzas 2 and 3 units wide ship assembled.

Bases ship separately and must be field installed.

Dimensions



Specification Information

Step 1.

IWCS3C-188926 A \$7539

Step 2. Wood Finish

Matte Finishes

DAE	ebony exterior, ash interior	<input type="checkbox"/> A	+\$0
DAR	santos palisander exterior, ash interior	<input type="checkbox"/> A	+\$0
DAW	walnut exterior, ash interior	<input type="checkbox"/> A	+\$0

Step 3. Base Finish

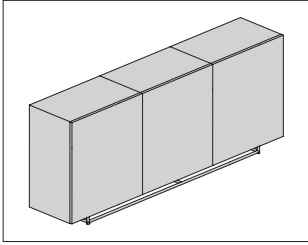
CHR	chrome	<input type="checkbox"/> A	+\$0
SAC	satin chrome	<input type="checkbox"/> A	+\$0

Step 4. Pull Finish

CHR	chrome	<input type="checkbox"/> A	+\$0
SAC	satin chrome	<input type="checkbox"/> A	+\$0

Domino Sideboard

IWSS3



HermanMiller Collection—Storage

Product Information

Description

This sideboard provides shelf storage, is 3 units wide, and comes with contrasting exterior and interior veneer. Standard interior veneer is ash, and exterior veneer is available in santos palisander, walnut, and ebony. Credenza back exterior is finished. Bases and pulls are metal with chrome or satin chrome finish. Hinged door units 40" high include 2 adjustable shelves that are each $\frac{3}{4}$ " thick.

Notes

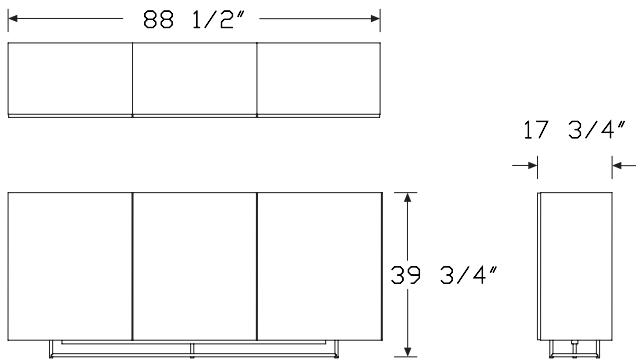
Locks are not available.

Shelves match interior finish.

Wood components in credenzas 2 and 3 units wide ship assembled.

Bases ship separately and must be field installed.

Dimensions



Specification Information

Step 1.

IWSS3C-188940 [A] \$9160

Step 2. Wood Finish

Matte Finishes

DAE ebony exterior, ash interior [A] +\$0
DAR santos palisander exterior, ash interior [A] +\$0
DAW walnut exterior, ash interior [A] +\$0

Step 3. Base Finish

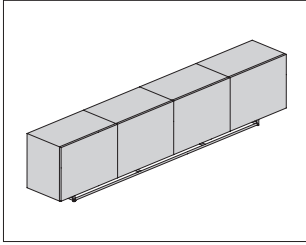
CHR chrome [A] +\$0
SAC satin chrome [A] +\$0

Step 4. Pull Finish

CHR chrome [A] +\$0
SAC satin chrome [A] +\$0

Domino Credenza

IWCS4



Product Information

Description

This credenza provides shelf storage, is 4 units wide, and comes with contrasting exterior and interior veneer. Standard interior veneer is ash, and exterior veneer is available in santos palisander, walnut, and ebony. Credenza back exterior is finished. Bases and pulls are metal with chrome or satin chrome finish. Hinged door units 26" high include 1 adjustable shelf that is 3/4" thick.

Notes

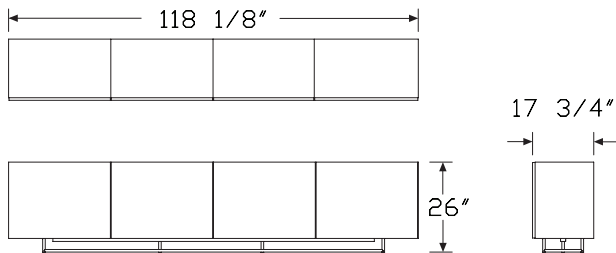
Locks are not available.

Shelves match interior finish.

Wood components in 4-unit-wide credenzas ship as 2 assembled units.

Bases ship separately and must be field installed.

Dimensions



Specification Information

Step 1.

IWCS4C-1811826 [A] \$10051

Step 2. Wood Finish

Matte Finishes

DAE	ebony exterior, ash interior [A]	+\$0
DAR	santos palisander exterior, ash interior [A]	+\$0
DAW	walnut exterior, ash interior [A]	+\$0

Step 3. Base Finish

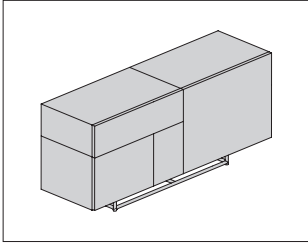
CHR	chrome [A]	+\$0
SAC	satin chrome [A]	+\$0

Step 4. Pull Finish

CHR	chrome [A]	+\$0
SAC	satin chrome [A]	+\$0

Domino Credenza

IWCM2



HermanMiller Collection—Storage

Product Information

Description

This credenza provides mixed storage, is 2 units wide, and comes with contrasting exterior and interior veneer. Standard interior veneer is ash, and exterior veneer is available in santos palisander, walnut, and ebony. Credenza back exterior is finished. Drawer boxes are quarter cut natural ash, and waste bin is a removable quarter cut natural ash box. Drawer boxes and waste bin have a hand-rubbed tung oil finish. Bases and pulls are metal with chrome or satin chrome finish. File drawers include stainless steel rods for hanging folders. Hinged door units 26" high include 1 adjustable shelf that is 3/4" thick.

Notes

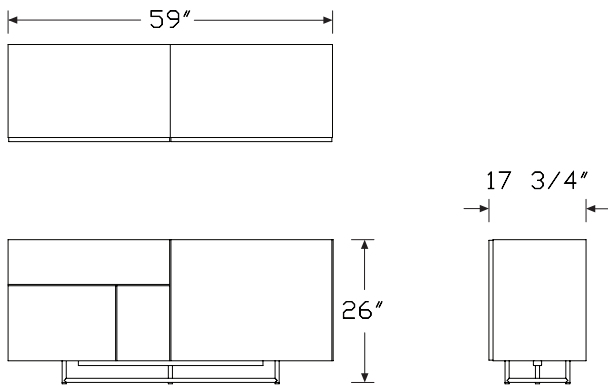
Locks are not available.

Shelves match interior finish.

Wood components in credenzas 2 and 3 units wide ship assembled.

Bases ship separately and must be field installed.

Dimensions



Specification Information

Step 1.

IWCM2C-185926 [A] \$10834

Step 2. Wood Finish

Matte Finishes

DAE ebony exterior, ash interior [A] +\$0
DAR santos palisander exterior, ash interior [A] +\$0
DAW walnut exterior, ash interior [A] +\$0

Step 3. Base Finish

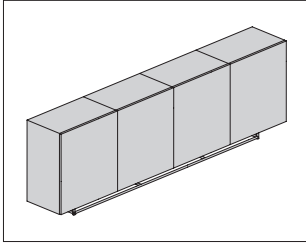
CHR chrome [A] +\$0
SAC satin chrome [A] +\$0

Step 4. Pull Finish

CHR chrome [A] +\$0
SAC satin chrome [A] +\$0

Domino Sideboard

IWSS4



Product Information

Description

This sideboard provides shelf storage, is 4 units wide, and comes with contrasting exterior and interior veneer. Standard interior veneer is ash, and exterior veneer is available in santos palisander, walnut, and ebony. Credenza back exterior is finished. Bases and pulls are metal with chrome or satin chrome finish. Hinged door units 40" high include 2 adjustable shelves that are each 3/4" thick.

Notes

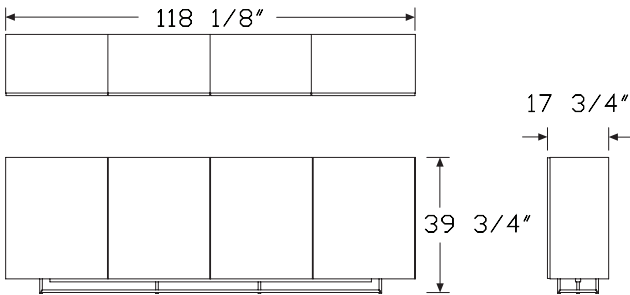
Locks are not available.

Shelves match interior finish.

Wood components in 4-unit-wide credenzas ship as 2 assembled units.

Bases ship separately and must be field installed.

Dimensions



Specification Information

Step 1.

IWSS4C-1811840 [A] \$12212

Step 2. Wood Finish

Matte Finishes

DAE	ebony exterior, ash interior [A]	+\$0
DAR	santos palisander exterior, ash interior [A]	+\$0
DAW	walnut exterior, ash interior [A]	+\$0

Step 3. Base Finish

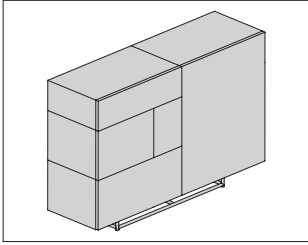
CHR	chrome [A]	+\$0
SAC	satin chrome [A]	+\$0

Step 4. Pull Finish

CHR	chrome [A]	+\$0
SAC	satin chrome [A]	+\$0

Domino Sideboard

IWSM2



HermanMiller Collection—Storage

Product Information

Description

This sideboard provides mixed storage, is 2 units wide, and comes with contrasting exterior and interior veneer. Standard interior veneer is ash, and exterior veneer is available in santos palisander, walnut, and ebony. Credenza back exterior is finished. Drawer boxes are quarter cut natural ash, and waste bin is a removable quarter cut natural ash box. Drawer boxes and waste bin have a hand-rubbed tung oil finish. Bases and pulls are metal with chrome or satin chrome finish. File drawers include stainless steel rods for hanging folders. Hinged door units 40" high include 2 adjustable shelves that are each 3/4" thick.

Notes

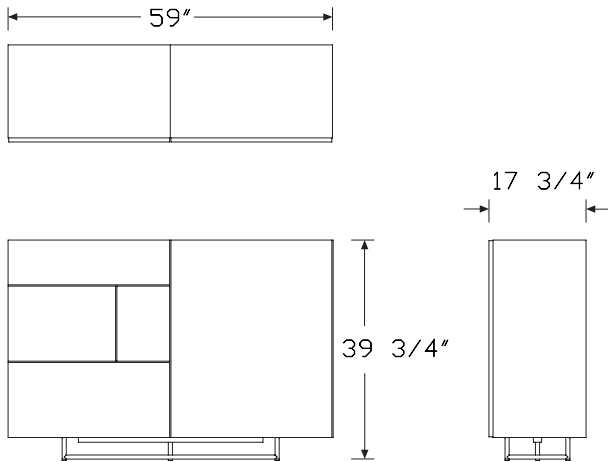
Locks are not available.

Shelves match interior finish.

Wood components in credenzas 2 and 3 units wide ship assembled.

Bases ship separately and must be field installed.

Dimensions



Specification Information

Step 1.

IWSM2C-185940 [A] \$14061

Step 2. Wood Finish

Matte Finishes

DAE	ebony exterior, ash interior [A]	+\$0
DAR	santos palisander exterior, ash interior [A]	+\$0
DAW	walnut exterior, ash interior [A]	+\$0

Step 3. Base Finish

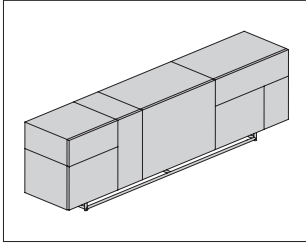
CHR	chrome [A]	+\$0
SAC	satin chrome [A]	+\$0

Step 4. Pull Finish

CHR	chrome [A]	+\$0
SAC	satin chrome [A]	+\$0

Domino Credenza

IWCM3



Product Information

Description

This credenza provides mixed storage, is 3 units wide, and comes with contrasting exterior and interior veneer. Standard interior veneer is ash, and exterior veneer is available in santos palisander, walnut, and ebony. Credenza back exterior is finished. Drawer boxes are quarter cut natural ash, and waste bin is a removable quarter cut natural ash box. Drawer boxes and waste bin have a hand-rubbed tung oil finish. Bases and pulls are metal with chrome or satin chrome finish. File drawers include stainless steel rods for hanging folders. Hinged door units 26" high include 1 adjustable shelf that is 3/4" thick.

Notes

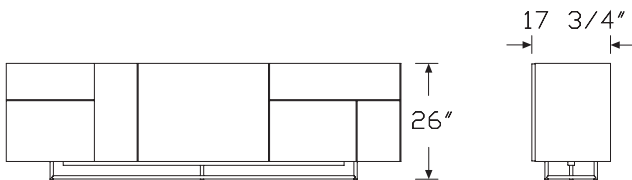
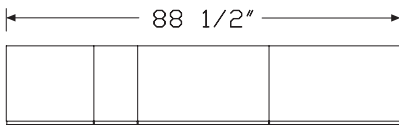
Locks are not available.

Shelves match interior finish.

Wood components in credenzas 2 and 3 units wide ship assembled.

Bases ship separately and must be field installed.

Dimensions



Specification Information

Step 1.

IWCM3C-188926 A \$18831

Step 2. Wood Finish

Matte Finishes

DAE	ebony exterior, ash interior	A	+\$0
DAR	santos palisander exterior, ash interior	A	+\$0
DAW	walnut exterior, ash interior	A	+\$0

Step 3. Base Finish

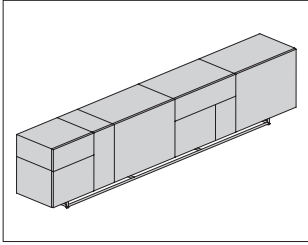
CHR	chrome	A	+\$0
SAC	satin chrome	A	+\$0

Step 4. Pull Finish

CHR	chrome	A	+\$0
SAC	satin chrome	A	+\$0

Domino Credenza

IWCM4



HermanMiller Collection—Storage

Product Information

Description

This credenza provides mixed storage, is 4 units wide, and comes with contrasting exterior and interior veneer. Standard interior veneer is ash, and exterior veneer is available in santos palisander, walnut, and ebony. Credenza back exterior is finished. Drawer boxes are quarter cut natural ash, and waste bin is a removable quarter cut natural ash box. Drawer boxes and waste bin have a hand-rubbed tung oil finish. Bases and pulls are metal with chrome or satin chrome finish. File drawers include stainless steel rods for hanging folders. Hinged door units 26" high include 1 adjustable shelf that is 3/4" thick.

Notes

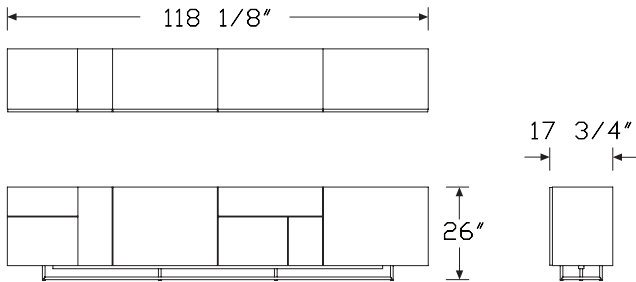
Locks are not available.

Shelves match interior finish.

Wood components in 4-unit-wide credenzas ship as 2 assembled units.

Bases ship separately and must be field installed.

Dimensions



Specification Information

Step 1.

IWCM4C-1811826 A \$21343

Step 2. Wood Finish

Matte Finishes

DAE	ebony exterior, ash interior	A	+\$0
DAR	santos palisander exterior, ash interior	A	+\$0
DAW	walnut exterior, ash interior	A	+\$0

Step 3. Base Finish

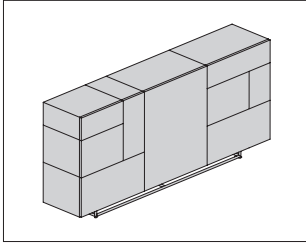
CHR	chrome	A	+\$0
SAC	satin chrome	A	+\$0

Step 4. Pull Finish

CHR	chrome	A	+\$0
SAC	satin chrome	A	+\$0

Domino Sideboard

IWSM3



Product Information

Description

This sideboard provides mixed storage, is 3 units wide, and comes with contrasting exterior and interior veneer. Standard interior veneer is ash, and exterior veneer is available in santos palisander, walnut, and ebony. Credenza back exterior is finished. Drawer boxes are quarter cut natural ash, and waste bin is a removable quarter cut natural ash box. Drawer boxes and waste bin have a hand-rubbed tung oil finish. Bases and pulls are metal with chrome or satin chrome finish. File drawers include stainless steel rods for hanging folders. Hinged door units 40" high include 2 adjustable shelves that are each 3/4" thick.

Notes

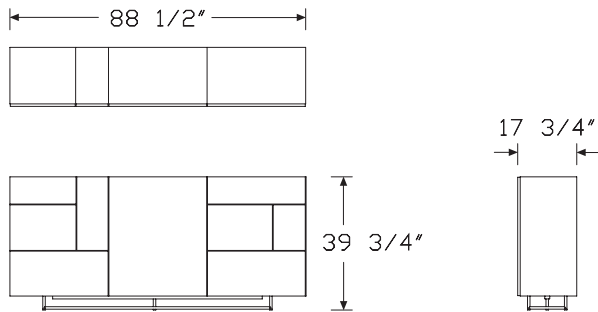
Locks are not available.

Shelves match interior finish.

Wood components in credenzas 2 and 3 units wide ship assembled.

Bases ship separately and must be field installed.

Dimensions



Specification Information

Step 1.

IWSM3C-188940 A \$24742

Step 2. Wood Finish

Matte Finishes

DAE	ebony exterior, ash interior	A	+\$0
DAR	santos palisander exterior, ash interior	A	+\$0
DAW	walnut exterior, ash interior	A	+\$0

Step 3. Base Finish

CHR	chrome	A	+\$0
SAC	satin chrome	A	+\$0

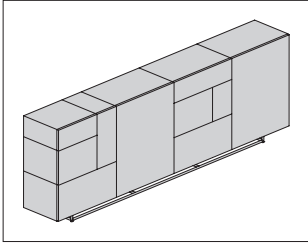
Step 4. Pull Finish

CHR	chrome	A	+\$0
SAC	satin chrome	A	+\$0

Domino Sideboard

IWSM4

HermanMiller Collection—Storage



Product Information

Description

This sideboard provides mixed storage, is 4 units wide, and comes with contrasting exterior and interior veneer. Standard interior veneer is ash, and exterior veneer is available in santos palisander, walnut, and ebony. Credenza back exterior is finished. Drawer boxes are quarter cut natural ash, and waste bin is a removable quarter cut natural ash box. Drawer boxes and waste bin have a hand-rubbed tung oil finish. Bases and pulls are metal with chrome or satin chrome finish. File drawers include stainless steel rods for hanging folders. Hinged door units 40" high include 2 adjustable shelves that are each 3/4" thick.

Notes

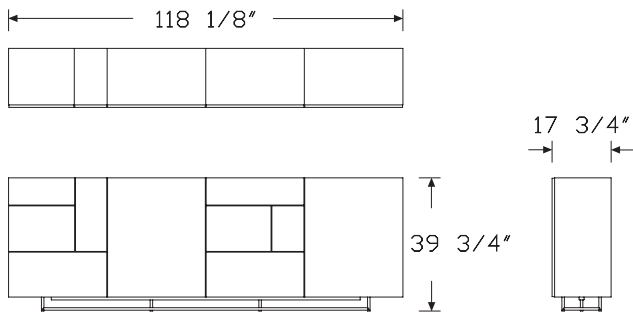
Locks are not available.

Shelves match interior finish.

Wood components in 4-unit-wide credenzas ship as 2 assembled units.

Bases ship separately and must be field installed.

Dimensions



Specification Information

Step 1.

IWSM4C-1811840 [A] \$27768

Step 2. Wood Finish

Matte Finishes

DAE ebony exterior, ash interior [A] +\$0
DAR santos palisander exterior, ash interior [A] +\$0
DAW walnut exterior, ash interior [A] +\$0

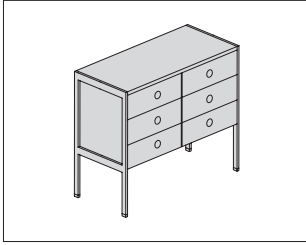
Step 3. Base Finish

CHR chrome [A] +\$0
SAC satin chrome [A] +\$0

Step 4. Pull Finish

CHR chrome [A] +\$0
SAC satin chrome [A] +\$0

H-Frame Credenza One Unit Wide JCH1-



Product Information

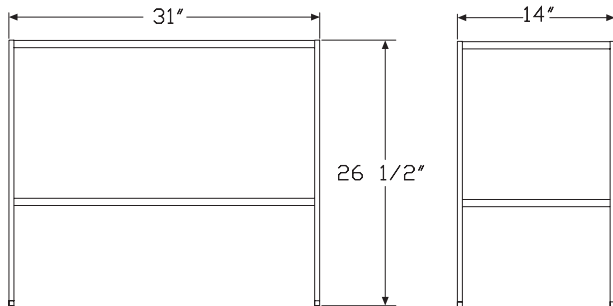
Description

This one-unit wide H-frame credenza has a wooden top and includes 1/2"-thick metal frame gables on the ends. H-frame credenzas are modular and shipped partially assembled.

Notes

All hardware for assembly is included.
 Drawer credenzas include wood boxes and self-closing hidden drawer slides.
 CG six box drawer credenza includes pencil trays and felt lining in bottom of top two drawers.
 When applicable, Ward Bennett Flip pulls come in matching metal finish.
 Santos palisander veneer is celebrated for its unique grain and color variations. Similar products ordered in multiples or dissimilar products ordered separately should be expected to have variation in both grain and color characteristics; no two products will look exactly alike.

Dimensions



Specification Information

Step 1.

JCH1 A

Step 2. Size

-1431 14" deep x 31" wide x 26 1/2" high A

Step 3. Configuration

- C1** open shelf A
- C2** two doors A
- CF** two 15" file drawers A
- CG** six box drawers (top two pencil trays) A
- CH** one file drawer A
- CK** three box drawers A

Prices for Steps 1-3.

JCH1-1431 -C1	\$2709
-C2	\$3884
-CF	\$4127
-CG	\$5713
-CH	\$4031
-CK	\$4817

Step 4. Wood Finish

Premium Veneer - Low Sheen

For open shelf (-C1)

921 champagne beech (natural) A	+\$0
931 champagne anigre (natural) A	+\$1070
932 sundance anigre A	+\$1070
933 caramel anigre A	+\$1070
934 henna anigre A	+\$1070
941 natural beech A	+\$0
942 sundance cherry (natural) A	+\$0
943 caramel cherry A	+\$0
944 henna cherry A	+\$0
945 port cherry A	+\$0
946 cocoa cherry A	+\$0
951 natural anigre A	+\$1070
954 henna sapele A	+\$0
955 port sapele A	+\$0
956 cocoa sapele A	+\$0
957 espresso sapele A	+\$0
962 toasted walnut, low sheen A	+\$0
963 charred walnut, low sheen A	+\$0
964 bronzed walnut, low sheen A	+\$0
965 smoked walnut, low sheen A	+\$0

H-Frame Credenza One Unit Wide

continued

HermanMiller Collection—Storage

966	coffee walnut, low sheen A	+\$0
967	smoked paldao, low sheen A	+\$401
969	warm paldao, low sheen A	+\$401
973	caramel walnut A	+\$0
974	henna walnut A	+\$0
975	port walnut A	+\$0
976	cocoa walnut A	+\$0
977	chocolate ash, low sheen A	+\$0
978	natural oak A	+\$0
981	champagne hickory (natural) A	+\$0
98R	recograin rosewood A	+\$0
991	champagne ash A	+\$0
998	ebony ash A	+\$0
99A	recograin frosty ash A	+\$0
99R	recograin rosewood A	+\$0
99T	recograin teak A	+\$0
9A1	white ash, quarter cut, low sheen A	+\$0
9K1	rift oak, rift cut, low sheen A	+\$0
9K6	burnt oak, rift cut, low sheen A	+\$0
ED	aged cherry A	+\$0
EK	medium red walnut A	+\$0
G2U	light brown walnut, low sheen A	+\$0
G40	dark brown walnut, low sheen A	+\$0
UX	walnut on cherry A	+\$0

Premium Veneer - Matte

For open shelf (-C1)

662	toasted walnut, matte sheen A	+\$0
663	charred walnut, matte sheen A	+\$0
664	bronzed walnut, matte sheen A	+\$0
665	smoked walnut, matte sheen A	+\$0
666	coffee walnut, matte sheen A	+\$0
667	smoked paldao, quarter cut, matte sheen A	+\$401
669	warm paldao, quarter cut, matte sheen A	+\$401
66A	recograin frosty ash A	+\$0
677	chocolate ash, matte sheen A	+\$0
678	natural oak A	+\$0
68R	recograin rosewood A	+\$0
69A	recograin frosty ash A	+\$0
69R	recograin rosewood A	+\$0
69T	recograin teak A	+\$0
6A1	white ash A	+\$0
6A2	platinum ash A	+\$0
6K1	rift oak A	+\$0
6K6	burnt oak A	+\$0
ET	clear on ash A	+\$0
EU	oak on ash A	+\$0
EV	walnut on ash A	+\$0
GOU	natural walnut, flat cut, matte sheen A	+\$0

RecoGrain Veneer

For open shelf (-C1)

66G	recograin wenge A	-\$134
68W	recograin walnut, flat cut, matte sheen A	-\$134
69G	recograin wenge A	-\$134
69K	recograin oak, quarter cut, matte sheen A	-\$134
69W	recograin walnut, quarter cut, matte sheen A	-\$134

Recon Veneer -

For open shelf (-C1)

96G	wenge recograin, quarter cut, low sheen A	-\$134
98W	recograin walnut, flat cut, low sheen A	-\$134
99G	recograin wenge, quarter cut, low sheen A	-\$134
99K	recograin oak, quarter cut, low sheen A	-\$134
99W	recograin walnut, quarter cut, low sheen A	-\$134

H-Frame Credenza One Unit Wide

continued

Premium Veneer - Low Sheen

For two doors (-C2)

931	champagne anigre (natural) A	+\$1534
932	sundance anigre A	+\$1534
933	caramel anigre A	+\$1534
934	henna anigre A	+\$1534
941	natural beech A	+\$0
942	sundance cherry (natural) A	+\$0
943	caramel cherry A	+\$0
946	cocoa cherry A	+\$0
951	natural anigre A	+\$1534
956	cocoa sapele A	+\$0
962	toasted walnut, low sheen A	+\$0
963	charred walnut, low sheen A	+\$0
964	bronzed walnut, low sheen A	+\$0
965	smoked walnut, low sheen A	+\$0
966	coffee walnut, low sheen A	+\$0
967	smoked paldao, low sheen A	+\$575
969	warm paldao, low sheen A	+\$575
977	chocolate ash, low sheen A	+\$0
978	natural oak A	+\$0
981	champagne hickory (natural) A	+\$0
98R	recoGrain rosewood A	+\$0
991	champagne ash A	+\$0
998	ebony ash A	+\$0
99A	recoGrain frosty ash A	+\$0
99R	recoGrain rosewood A	+\$0
99T	recoGrain teak A	+\$0
9A1	white ash, quarter cut, low sheen A	+\$0
9K1	rift oak, rift cut, low sheen A	+\$0
9K6	burnt oak, rift cut, low sheen A	+\$0
ED	aged cherry A	+\$0
EK	medium red walnut A	+\$0
G2U	light brown walnut, low sheen A	+\$0
G40	dark brown walnut, low sheen A	+\$0
UX	walnut on cherry A	+\$0

Premium Veneer - Matte

For two doors (-C2)

662	toasted walnut, matte sheen A	+\$0
663	charred walnut, matte sheen A	+\$0
664	bronzed walnut, matte sheen A	+\$0
665	smoked walnut, matte sheen A	+\$0
666	coffee walnut, matte sheen A	+\$0
66A	recoGrain frosty ash A	+\$0
677	chocolate ash, matte sheen A	+\$0
678	natural oak A	+\$0
68R	recoGrain rosewood A	+\$0
69A	recoGrain frosty ash A	+\$0
69R	recoGrain rosewood A	+\$0
69T	recoGrain teak A	+\$0
6A1	white ash A	+\$0
6K1	rift oak A	+\$0
6K6	burnt oak A	+\$0
ET	clear on ash A	+\$0
EU	oak on ash A	+\$0
EV	walnut on ash A	+\$0
GOU	natural walnut, flat cut, matte sheen A	+\$0

RecoGrain Veneer

For two doors (-C2)

66G	recoGrain wenge A	-\$192
68W	recoGrain walnut, flat cut, matte sheen A	-\$192
69G	recoGrain wenge A	-\$192
69K	recoGrain oak, quarter cut, matte sheen A	-\$192
69W	recoGrain walnut, quarter cut, matte sheen A	-\$192

Recon Veneer -

For two doors (-C2)

96G	wenge recoGrain, quarter cut, low sheen A	-\$192
98W	recoGrain walnut, flat cut, low sheen A	-\$192
99G	recoGrain wenge, quarter cut, low sheen A	-\$192
99K	recoGrain oak, quarter cut, low sheen A	-\$192
99W	recoGrain walnut, quarter cut, low sheen A	-\$192

H-Frame Credenza One Unit Wide

continued

HermanMiller Collection—Storage

Premium Veneer - Low Sheen

For two 15" file drawers (-CF)

931	champagne anigre (natural) A	+\$1629
932	sundance anigre A	+\$1629
933	caramel anigre A	+\$1629
934	henna anigre A	+\$1629
941	natural beech A	+\$0
942	sundance cherry (natural) A	+\$0
943	caramel cherry A	+\$0
946	cocoa cherry A	+\$0
951	natural anigre A	+\$1629
956	cocoa sapele A	+\$0
962	toasted walnut, low sheen A	+\$0
963	charred walnut, low sheen A	+\$0
964	bronzed walnut, low sheen A	+\$0
965	smoked walnut, low sheen A	+\$0
966	coffee walnut, low sheen A	+\$0
967	smoked paldao, low sheen A	+\$611
969	warm paldao, low sheen A	+\$611
977	chocolate ash, low sheen A	+\$0
978	natural oak A	+\$0
981	champagne hickory (natural) A	+\$0
98R	recograin rosewood A	+\$0
991	champagne ash A	+\$0
998	ebony ash A	+\$0
99A	recograin frosty ash A	+\$0
99R	recograin rosewood A	+\$0
99T	recograin teak A	+\$0
9A1	white ash, quarter cut, low sheen A	+\$0
9K1	rift oak, rift cut, low sheen A	+\$0
9K6	burnt oak, rift cut, low sheen A	+\$0
ED	aged cherry A	+\$0
EK	medium red walnut A	+\$0
G2U	light brown walnut, low sheen A	+\$0
G40	dark brown walnut, low sheen A	+\$0
UX	walnut on cherry A	+\$0

Premium Veneer - Matte

For two 15" file drawers (-CF)

662	toasted walnut, matte sheen A	+\$0
663	charred walnut, matte sheen A	+\$0
664	bronzed walnut, matte sheen A	+\$0
665	smoked walnut, matte sheen A	+\$0
666	coffee walnut, matte sheen A	+\$0
667	smoked paldao, quarter cut, matte sheen A	+\$611
669	warm paldao, quarter cut, matte sheen A	+\$611
66A	recograin frosty ash A	+\$0
677	chocolate ash, matte sheen A	+\$0
678	natural oak A	+\$0
68R	recograin rosewood A	+\$0
69A	recograin frosty ash A	+\$0
69R	recograin rosewood A	+\$0
69T	recograin teak A	+\$0
6A1	white ash A	+\$0
6K1	rift oak A	+\$0
6K6	burnt oak A	+\$0
ET	clear on ash A	+\$0
EU	oak on ash A	+\$0
EV	walnut on ash A	+\$0
GOU	natural walnut, flat cut, matte sheen A	+\$0

RecoGrain Veneer

For two 15" file drawers (-CF)

66G	recograin wenge A	-\$204
68W	recograin walnut, flat cut, matte sheen A	-\$204
69G	recograin wenge A	-\$204
69K	recograin oak, quarter cut, matte sheen A	-\$204
69W	recograin walnut, quarter cut, matte sheen A	-\$204

Recon Veneer -

For two 15" file drawers (-CF)

96G	wenge recograin, quarter cut, low sheen A	-\$204
98W	recograin walnut, flat cut, low sheen A	-\$204
99G	recograin wenge, quarter cut, low sheen A	-\$204
99K	recograin oak, quarter cut, low sheen A	-\$204
99W	recograin walnut, quarter cut, low sheen A	-\$204

H-Frame Credenza One Unit Wide

continued

Premium Veneer - Low Sheen

For six box drawers (top two pencil trays) (-CG)

931	champagne anigre (natural) [A]	+\$2255
932	sundance anigre [A]	+\$2255
933	caramel anigre [A]	+\$2255
934	henna anigre [A]	+\$2255
941	natural beech [A]	+\$0
942	sundance cherry (natural) [A]	+\$0
943	caramel cherry [A]	+\$0
946	cocoa cherry [A]	+\$0
951	natural anigre [A]	+\$2255
956	cocoa sapele [A]	+\$0
962	toasted walnut, low sheen [A]	+\$0
963	charred walnut, low sheen [A]	+\$0
964	bronzed walnut, low sheen [A]	+\$0
965	smoked walnut, low sheen [A]	+\$0
966	coffee walnut, low sheen [A]	+\$0
967	smoked paldao, low sheen [A]	+\$846
969	warm paldao, low sheen [A]	+\$846
977	chocolate ash, low sheen [A]	+\$0
978	natural oak [A]	+\$0
981	champagne hickory (natural) [A]	+\$0
98R	recoGrain rosewood [A]	+\$0
991	champagne ash [A]	+\$0
998	ebony ash [A]	+\$0
99A	recoGrain frosty ash [A]	+\$0
99R	recoGrain rosewood [A]	+\$0
99T	recoGrain teak [A]	+\$0
9A1	white ash, quarter cut, low sheen [A]	+\$0
9K1	rift oak, rift cut, low sheen [A]	+\$0
9K6	burnt oak, rift cut, low sheen [A]	+\$0
ED	aged cherry [A]	+\$0
EK	medium red walnut [A]	+\$0
G2U	light brown walnut, low sheen [A]	+\$0
G40	dark brown walnut, low sheen [A]	+\$0
UX	walnut on cherry [A]	+\$0

Premium Veneer - Matte

For six box drawers (top two pencil trays) (-CG)

662	toasted walnut, matte sheen [A]	+\$0
663	charred walnut, matte sheen [A]	+\$0
664	bronzed walnut, matte sheen [A]	+\$0
665	smoked walnut, matte sheen [A]	+\$0
666	coffee walnut, matte sheen [A]	+\$0
667	smoked paldao, quarter cut, matte sheen [A]	+\$846
669	warm paldao, quarter cut, matte sheen [A]	+\$846
66A	recoGrain frosty ash [A]	+\$0
677	chocolate ash, matte sheen [A]	+\$0
678	natural oak [A]	+\$0
68R	recoGrain rosewood [A]	+\$0
69A	recoGrain frosty ash [A]	+\$0
69R	recoGrain rosewood [A]	+\$0
69T	recoGrain teak [A]	+\$0
6A1	white ash [A]	+\$0
6K1	rift oak [A]	+\$0
6K6	burnt oak [A]	+\$0
ET	clear on ash [A]	+\$0
EU	oak on ash [A]	+\$0
EV	walnut on ash [A]	+\$0
GOU	natural walnut, flat cut, matte sheen [A]	+\$0

RecoGrain Veneer

For six box drawers (top two pencil trays) (-CG)

66G	recoGrain wenge [A]	-\$282
68W	recoGrain walnut, flat cut, matte sheen [A]	-\$282
69G	recoGrain wenge [A]	-\$282
69K	recoGrain oak, quarter cut, matte sheen [A]	-\$282
69W	recoGrain walnut, quarter cut, matte sheen [A]	-\$282

Recon Veneer -

For six box drawers (top two pencil trays) (-CG)

96G	wenge recoGrain, quarter cut, low sheen [A]	-\$282
98W	recoGrain walnut, flat cut, low sheen [A]	-\$282
99G	recoGrain wenge, quarter cut, low sheen [A]	-\$282
99K	recoGrain oak, quarter cut, low sheen [A]	-\$282
99W	recoGrain walnut, quarter cut, low sheen [A]	-\$282

H-Frame Credenza One Unit Wide

continued

HermanMiller Collection—Storage

Premium Veneer - Low Sheen

For one file drawer (-CH)

931	champagne anigre (natural) A	+\$1592
932	sundance anigre A	+\$1592
933	caramel anigre A	+\$1592
934	henna anigre A	+\$1592
941	natural beech A	+\$0
942	sundance cherry (natural) A	+\$0
943	caramel cherry A	+\$0
946	cocoa cherry A	+\$0
951	natural anigre A	+\$1592
956	cocoa sapele A	+\$0
962	toasted walnut, low sheen A	+\$0
963	charred walnut, low sheen A	+\$0
964	bronzed walnut, low sheen A	+\$0
965	smoked walnut, low sheen A	+\$0
966	coffee walnut, low sheen A	+\$0
967	smoked paldao, low sheen A	+\$597
969	warm paldao, low sheen A	+\$597
977	chocolate ash, low sheen A	+\$0
978	natural oak A	+\$0
981	champagne hickory (natural) A	+\$0
98R	recograin rosewood A	+\$0
991	champagne ash A	+\$0
998	ebony ash A	+\$0
99A	recograin frosty ash A	+\$0
99R	recograin rosewood A	+\$0
99T	recograin teak A	+\$0
9A1	white ash, quarter cut, low sheen A	+\$0
9K1	rift oak, rift cut, low sheen A	+\$0
9K6	burnt oak, rift cut, low sheen A	+\$0
ED	aged cherry A	+\$0
EK	medium red walnut A	+\$0
G2U	light brown walnut, low sheen A	+\$0
G40	dark brown walnut, low sheen A	+\$0
UX	walnut on cherry A	+\$0

Premium Veneer - Matte

For one file drawer (-CH)

662	toasted walnut, matte sheen A	+\$0
663	charred walnut, matte sheen A	+\$0
664	bronzed walnut, matte sheen A	+\$0
665	smoked walnut, matte sheen A	+\$0
666	coffee walnut, matte sheen A	+\$0
667	smoked paldao, quarter cut, matte sheen A	+\$597
669	warm paldao, quarter cut, matte sheen A	+\$597
66A	recograin frosty ash A	+\$0
677	chocolate ash, matte sheen A	+\$0
678	natural oak A	+\$0
68R	recograin rosewood A	+\$0
69A	recograin frosty ash A	+\$0
69R	recograin rosewood A	+\$0
69T	recograin teak A	+\$0
6A1	white ash A	+\$0
6K1	rift oak A	+\$0
6K6	burnt oak A	+\$0
ET	clear on ash A	+\$0
EU	oak on ash A	+\$0
EV	walnut on ash A	+\$0
GOU	natural walnut, flat cut, matte sheen A	+\$0

RecoGrain Veneer

For one file drawer (-CH)

66G	recograin wenge A	-\$199
68W	recograin walnut, flat cut, matte sheen A	-\$199
69G	recograin wenge A	-\$199
69K	recograin oak, quarter cut, matte sheen A	-\$199
69W	recograin walnut, quarter cut, matte sheen A	-\$199

Recon Veneer -

For one file drawer (-CH)

96G	wenge recograin, quarter cut, low sheen A	-\$199
98W	recograin walnut, flat cut, low sheen A	-\$199
99G	recograin wenge, quarter cut, low sheen A	-\$199
99K	recograin oak, quarter cut, low sheen A	-\$199
99W	recograin walnut, quarter cut, low sheen A	-\$199

H-Frame Credenza One Unit Wide

continued

Premium Veneer - Low Sheen

For three box drawers (-CK)

931	champagne anigre (natural) A	+\$1902
932	sundance anigre A	+\$1902
933	caramel anigre A	+\$1902
934	henna anigre A	+\$1902
941	natural beech A	+\$0
942	sundance cherry (natural) A	+\$0
943	caramel cherry A	+\$0
946	cocoa cherry A	+\$0
951	natural anigre A	+\$1902
956	cocoa sapele A	+\$0
962	toasted walnut, low sheen A	+\$0
963	charred walnut, low sheen A	+\$0
964	bronzed walnut, low sheen A	+\$0
965	smoked walnut, low sheen A	+\$0
966	coffee walnut, low sheen A	+\$0
967	smoked paldao, low sheen A	+\$713
969	warm paldao, low sheen A	+\$713
977	chocolate ash, low sheen A	+\$0
978	natural oak A	+\$0
981	champagne hickory (natural) A	+\$0
98R	recoGrain rosewood A	+\$0
991	champagne ash A	+\$0
998	ebony ash A	+\$0
99A	recoGrain frosty ash A	+\$0
99R	recoGrain rosewood A	+\$0
99T	recoGrain teak A	+\$0
9A1	white ash, quarter cut, low sheen A	+\$0
9K1	rift oak, rift cut, low sheen A	+\$0
9K6	burnt oak, rift cut, low sheen A	+\$0
ED	aged cherry A	+\$0
EK	medium red walnut A	+\$0
G2U	light brown walnut, low sheen A	+\$0
G40	dark brown walnut, low sheen A	+\$0
UX	walnut on cherry A	+\$0

Premium Veneer - Matte

For three box drawers (-CK)

662	toasted walnut, matte sheen A	+\$0
663	charred walnut, matte sheen A	+\$0
664	bronzed walnut, matte sheen A	+\$0
665	smoked walnut, matte sheen A	+\$0
666	coffee walnut, matte sheen A	+\$0
667	smoked paldao, quarter cut, matte sheen A	+\$713
669	warm paldao, quarter cut, matte sheen A	+\$713
66A	recoGrain frosty ash A	+\$0
677	chocolate ash, matte sheen A	+\$0
678	natural oak A	+\$0
68R	recoGrain rosewood A	+\$0
69A	recoGrain frosty ash A	+\$0
69R	recoGrain rosewood A	+\$0
69T	recoGrain teak A	+\$0
6A1	white ash A	+\$0
6K1	rift oak A	+\$0
6K6	burnt oak A	+\$0
ET	clear on ash A	+\$0
EU	oak on ash A	+\$0
EV	walnut on ash A	+\$0
GOU	natural walnut, flat cut, matte sheen A	+\$0

RecoGrain Veneer

For three box drawers (-CK)

66G	recoGrain wenge A	-\$238
68W	recoGrain walnut, flat cut, matte sheen A	-\$238
69G	recoGrain wenge A	-\$238
69K	recoGrain oak, quarter cut, matte sheen A	-\$238
69W	recoGrain walnut, quarter cut, matte sheen A	-\$238

Recon Veneer -

For three box drawers (-CK)

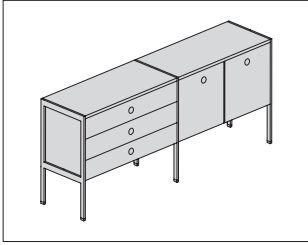
96G	wenge recoGrain, quarter cut, low sheen A	-\$238
98W	recoGrain walnut, flat cut, low sheen A	-\$238
99G	recoGrain wenge, quarter cut, low sheen A	-\$238
99K	recoGrain oak, quarter cut, low sheen A	-\$238
99W	recoGrain walnut, quarter cut, low sheen A	-\$238

Step 5. Metal Finish

CHR	chrome A	+\$0
SAC	satin chrome A	+\$0

H-Frame Credenza Two Units Wide

JCH2-



Product Information

Description

This two-unit wide H-frame credenza has a wooden top and includes 1/2"-thick metal frame gables on the ends. H-frame credenzas are modular and shipped partially assembled.

Notes

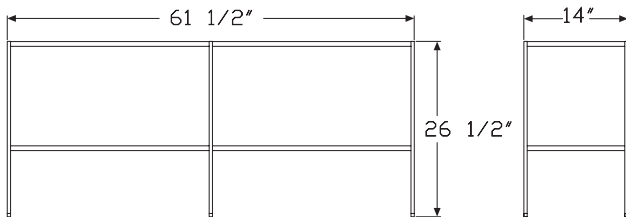
All hardware for assembly is included.

Drawer credenzas include wood boxes and self-closing hidden drawer slides.

CG six box drawer credenza includes pencil trays and felt lining in bottom of top two drawers.

When applicable, Ward Bennett Flip pulls come in matching metal finish. Santos palisander veneer is celebrated for its unique grain and color variations. Similar products ordered in multiples or dissimilar products ordered separately should be expected to have variation in both grain and color characteristics; no two products will look exactly alike.

Dimensions



Specification Information

Step 1.

JCH2 A

Step 2. Size

-1462 14" deep x 61 1/2" wide x 26 1/2" high A

Step 3. Configuration - left unit

- C1** open shelf A
- C2** two doors A
- CF** two 15" file drawers A
- CH** one file drawer A
- CK** three box drawers A

Step 4. Configuration - right unit

For open shelf (-C1)

C1 open shelf A

For two doors (-C2)

- C1** open shelf A
- C2** two doors A
- CG** six box drawers (top two pencil trays) A

For two 15" file drawers (-CF)

- CF** two 15" file drawers A
- CG** six box drawers (top two pencil trays) A

For one file drawer (-CH)

CH double doors left, 30" box/file right A

For three box drawers (-CK)

- C2** two doors A
- CF** two 15" file drawers A

Prices for Steps 1-4.

		C1	C2	CF	CG	CH
JCH2-1462	-C1	\$4764	—	—	—	—
	-C2	\$5291	7120	—	8943	—
	-CF	—	—	\$7605	9185	—
	-CH	—	—	—	—	\$7415
	-CK	—	\$8047	8295	—	—

H-Frame Credenza Two Units

Wide *continued*

Step 5. Wood Finish

Premium Veneer - Low Sheen

		-C1C1	-C2C1	-C2C2	-C2CG	-CFCF
931	champagne anigre (natural) A	+\$1881	2089	2811	3530	3002
932	sundance anigre A	+\$1881	2089	2811	3530	3002
933	caramel anigre A	+\$1881	2089	2811	3530	3002
934	henna anigre A	+\$1881	2089	2811	3530	3002
941	natural beech A	+\$0	0	0	0	0
942	sundance cherry (natural) A	+\$0	0	0	0	0
943	caramel cherry A	+\$0	0	0	0	0
946	cocoa cherry A	+\$0	0	0	0	0
951	natural anigre A	+\$1881	2089	2811	3530	3002
956	cocoa sapele A	+\$0	0	0	0	0
962	toasted walnut, low sheen A	+\$0	0	0	0	0
963	charred walnut, low sheen A	+\$0	0	0	0	0
964	bronzed walnut, low sheen A	+\$0	0	0	0	0
965	smoked walnut, low sheen A	+\$0	0	0	0	0
966	coffee walnut, low sheen A	+\$0	0	0	0	0
967	smoked paldao, low sheen A	+\$706	784	1054	1324	1126
969	warm paldao, low sheen A	+\$706	784	1054	1324	1126
977	chocolate ash, low sheen A	+\$0	0	0	0	0
978	natural oak A	+\$0	0	0	0	0
981	champagne hickory (natural) A	+\$0	0	0	0	0
98R	recograin rosewood A	+\$0	0	0	0	0
991	champagne ash A	+\$0	0	0	0	0
998	ebony ash A	+\$0	0	0	0	0
99A	recograin frosty ash A	+\$0	0	0	0	0
99R	recograin rosewood A	+\$0	0	0	0	0
99T	recograin teak A	+\$0	0	0	0	0
9A1	white ash, quarter cut, low sheen A	+\$0	0	0	0	0

9K1	rift oak, rift cut, low sheen A	+\$0	0	0	0	0
9K6	burnt oak, rift cut, low sheen A	+\$0	0	0	0	0
ED	aged cherry A	+\$0	0	0	0	0
EK	medium red walnut A	+\$0	0	0	0	0
G2U	light brown walnut, low sheen A	+\$0	0	0	0	0
G40	dark brown walnut, low sheen A	+\$0	0	0	0	0
UX	walnut on cherry A	+\$0	0	0	0	0

		-CFCG	-CHCH	-CKC2	-CKCF
931	champagne anigre (natural) A	+\$3626	2927	3177	3274
932	sundance anigre A	+\$3626	2927	3177	3274
933	caramel anigre A	+\$3626	2927	3177	3274
934	henna anigre A	+\$3626	2927	3177	3274
941	natural beech A	+\$0	0	0	0
942	sundance cherry (natural) A	+\$0	0	0	0
943	caramel cherry A	+\$0	0	0	0
946	cocoa cherry A	+\$0	0	0	0
951	natural anigre A	+\$3626	2927	3177	3274
956	cocoa sapele A	+\$0	0	0	0
962	toasted walnut, low sheen A	+\$0	0	0	0
963	charred walnut, low sheen A	+\$0	0	0	0
964	bronzed walnut, low sheen A	+\$0	0	0	0
965	smoked walnut, low sheen A	+\$0	0	0	0
966	coffee walnut, low sheen A	+\$0	0	0	0
967	smoked paldao, low sheen A	+\$1360	1098	1192	1228
969	warm paldao, low sheen A	+\$1360	1098	1192	1228
977	chocolate ash, low sheen A	+\$0	0	0	0
978	natural oak A	+\$0	0	0	0
981	champagne hickory (natural) A	+\$0	0	0	0
98R	recograin rosewood A	+\$0	0	0	0
991	champagne ash A	+\$0	0	0	0
998	ebony ash A	+\$0	0	0	0
99A	recograin frosty ash A	+\$0	0	0	0
99R	recograin rosewood A	+\$0	0	0	0
99T	recograin teak A	+\$0	0	0	0

H-Frame Credenza Two Units

Wide *continued*

HermanMiller Collection—Storage

9A1	white ash, quarter cut, low sheen <input type="checkbox"/>	+\$0	o	o	o	Premium Veneer - Matte						
9K1	rift oak, rift cut, low sheen <input type="checkbox"/>	+\$0	o	o	o	662	toasted walnut, matte sheen <input type="checkbox"/>	+\$0	o	o	o	o
9K6	burnt oak, rift cut, low sheen <input type="checkbox"/>	+\$0	o	o	o	663	charred walnut, matte sheen <input type="checkbox"/>	+\$0	o	o	o	o
ED	aged cherry <input type="checkbox"/>	+\$0	o	o	o	664	bronzed walnut, matte sheen <input type="checkbox"/>	+\$0	o	o	o	o
EK	medium red walnut <input type="checkbox"/>	+\$0	o	o	o	665	smoked walnut, matte sheen <input type="checkbox"/>	+\$0	o	o	o	o
G2U	light brown walnut, low sheen <input type="checkbox"/>	+\$0	o	o	o	666	coffee walnut, matte sheen <input type="checkbox"/>	+\$0	o	o	o	o
G40	dark brown walnut, low sheen <input type="checkbox"/>	+\$0	o	o	o	667	smoked paldao, quarter cut, matte sheen <input type="checkbox"/>	+\$706	784	1054	1324	1126
UX	walnut on cherry <input type="checkbox"/>	+\$0	o	o	o	669	warm paldao, quarter cut, matte sheen <input type="checkbox"/>	+\$706	784	1054	1324	1126
						66A	recograin frosty ash <input type="checkbox"/>	+\$0	o	o	o	o
						677	chocolate ash, matte sheen <input type="checkbox"/>	+\$0	o	o	o	o
						678	natural oak <input type="checkbox"/>	+\$0	o	o	o	o
						68R	recograin rosewood <input type="checkbox"/>	+\$0	o	o	o	o
						69A	recograin frosty ash <input type="checkbox"/>	+\$0	o	o	o	o
						69R	recograin rosewood <input type="checkbox"/>	+\$0	o	o	o	o
						69T	recograin teak <input type="checkbox"/>	+\$0	o	o	o	o
						6A1	white ash <input type="checkbox"/>	+\$0	o	o	o	o
						6K1	rift oak <input type="checkbox"/>	+\$0	o	o	o	o
						6K6	burnt oak <input type="checkbox"/>	+\$0	o	o	o	o
						ET	clear on ash <input type="checkbox"/>	+\$0	o	o	o	o
						EU	oak on ash <input type="checkbox"/>	+\$0	o	o	o	o
						EV	walnut on ash <input type="checkbox"/>	+\$0	o	o	o	o
						GOU	natural walnut, flat cut, matte sheen <input type="checkbox"/>	+\$0	o	o	o	o

H-Frame Credenza Two Units

Wide *continued*

		-CFCG	-CHCH	-CKC2	-CKCF
662	toasted walnut, matte sheen A	+\$0	0	0	0
663	charred walnut, matte sheen A	+\$0	0	0	0
664	bronzed walnut, matte sheen A	+\$0	0	0	0
665	smoked walnut, matte sheen A	+\$0	0	0	0
666	coffee walnut, matte sheen A	+\$0	0	0	0
667	smoked paldao, quarter cut, matte sheen A	+\$1360	1098	1192	1228
669	warm paldao, quarter cut, matte sheen A	+\$1360	1098	1192	1228
66A	recograin frosty ash A	+\$0	0	0	0
677	chocolate ash, matte sheen A	+\$0	0	0	0
678	natural oak A	+\$0	0	0	0
68R	recograin rosewood A	+\$0	0	0	0
69A	recograin frosty ash A	+\$0	0	0	0
69R	recograin rosewood A	+\$0	0	0	0
69T	recograin teak A	+\$0	0	0	0
6A1	white ash A	+\$0	0	0	0
6K1	rift oak A	+\$0	0	0	0
6K6	burnt oak A	+\$0	0	0	0
ET	clear on ash A	+\$0	0	0	0
EU	oak on ash A	+\$0	0	0	0
EV	walnut on ash A	+\$0	0	0	0
GOU	natural walnut, flat cut, matte sheen A	+\$0	0	0	0

RecoGrain Veneer

		-C1C1	-C2C1	-C2C2	-C2CG	-CFCF
66G	recograin wenge A	-\$236	-262	-352	-442	-376
68W	recograin walnut, flat cut, matte sheen A	-\$236	-262	-352	-442	-376
69G	recograin wenge A	-\$236	-262	-352	-442	-376
69K	recograin oak, quarter cut, matte sheen A	-\$236	-262	-352	-442	-376
69W	recograin walnut, quarter cut, matte sheen A	-\$236	-262	-352	-442	-376

		-CFCG	-CHCH	-CKC2	-CKCF
66G	recograin wenge A	-\$454	-366	-398	-410
68W	recograin walnut, flat cut, matte sheen A	-\$454	-366	-398	-410
69G	recograin wenge A	-\$454	-366	-398	-410
69K	recograin oak, quarter cut, matte sheen A	-\$454	-366	-398	-410
69W	recograin walnut, quarter cut, matte sheen A	-\$454	-366	-398	-410

Recon Veneer -

		-C1C1	-C2C1	-C2C2	-C2CG	-CFCF
96G	wenge recograin, quarter cut, low sheen A	-\$236	-262	-352	-442	-376
98W	recograin walnut, flat cut, low sheen A	-\$236	-262	-352	-442	-376
99G	recograin wenge, quarter cut, low sheen A	-\$236	-262	-352	-442	-376
99K	recograin oak, quarter cut, low sheen A	-\$236	-262	-352	-442	-376
99W	recograin walnut, quarter cut, low sheen A	-\$236	-262	-352	-442	-376

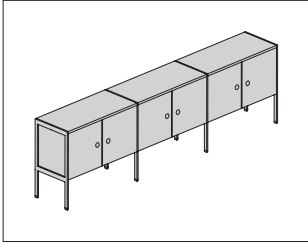
		-CFCG	-CHCH	-CKC2	-CKCF
96G	wenge recograin, quarter cut, low sheen A	-\$454	-366	-398	-410
98W	recograin walnut, flat cut, low sheen A	-\$454	-366	-398	-410
99G	recograin wenge, quarter cut, low sheen A	-\$454	-366	-398	-410
99K	recograin oak, quarter cut, low sheen A	-\$454	-366	-398	-410
99W	recograin walnut, quarter cut, low sheen A	-\$454	-366	-398	-410

Step 6. Metal Finish

CHR	chrome A					+\$0
SAC	satin chrome A					+\$0

H-Frame Credenza Three Units Wide

JCH3-



Product Information

Description

This three-unit wide H-frame credenza has a wooden top and includes 1/2"-thick metal frame gables on the ends. H-frame credenzas are modular and shipped partially assembled.

Notes

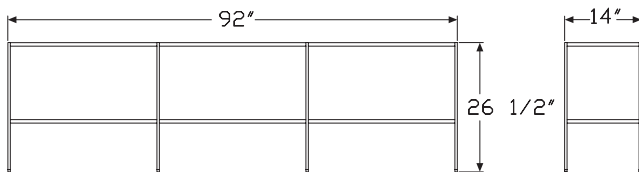
All hardware for assembly is included.

Drawer credenzas include wood boxes and self-closing hidden drawer slides.

CG six box drawer credenza includes pencil trays and felt lining in bottom of top two drawers.

When applicable, Ward Bennett Flip pulls come in matching metal finish. Santos palisander veneer is celebrated for its unique grain and color variations. Similar products ordered in multiples or dissimilar products ordered separately should be expected to have variation in both grain and color characteristics; no two products will look exactly alike.

Dimensions



Specification Information

Step 1.

JCH3

Step 2. Size

-1492 14" deep x 92" wide x 26 1/2" high

Step 3. Configuration - left unit

-C1 open shelf

-C2 two doors

-CF two 15" file drawers

-CH one file drawer

Step 4. Configuration - middle unit

For open shelf (-C1)

C1 open shelf

C2 two doors

CF two 15" file drawers

CG six box drawers (top two pencil trays)

For two doors (-C2)

C2 two doors

For two 15" file drawers (-CF)

CF two 15" file drawers

For one file drawer (-CH)

CH one file drawer

Step 5. Configuration - right unit

For open shelf (-C1) with open shelf (C1)

C1 open shelf

For open shelf (-C1) with two doors (C2)

C2 two doors

For open shelf (-C1) with two 15" file drawers (CF)

C2 two doors

For open shelf (-C1) with six box drawers (top two pencil trays) (CG)

C2 two doors

For two doors (-C2) with two doors (C2)

C2 two doors

H-Frame Credenza Three Units

Wide *continued*

For two 15" file drawers (-CF) with two 15" file drawers (CF)

CF two 15" file drawers A

For one file drawer (-CH) with one file drawer (CH)

CH double doors left, 30" box/file right A

Prices for Steps 1-5.

		C1	CF	CH	C2
JCH3-1492	-C1 C1	\$6819	—	—	—
	C2	—	—	—	\$9169
	CF	—	—	—	\$9418
	CG	—	—	—	\$10998
	-C2 C2	—	—	—	\$10350
	-CF CF	—	\$11077	—	—
	-CH CH	—	—	\$10793	—

Step 6. Wood Finish

Premium Veneer - Low Sheen

		-C1C1C1	-C1C2C2	-C1CFC2	-C1CGC2	-C2C2C2
931	champagne anigre (natural) A	+\$2692	3620	3718	4342	4086
932	sundance anigre A	+\$2692	3620	3718	4342	4086
933	caramel anigre A	+\$2692	3620	3718	4342	4086
934	henna anigre A	+\$2692	3620	3718	4342	4086
941	natural beech A	+\$0	0	0	0	0
942	sundance cherry (natural) A	+\$0	0	0	0	0
943	caramel cherry A	+\$0	0	0	0	0
946	cocoa cherry A	+\$0	0	0	0	0
951	natural anigre A	+\$2692	3620	3718	4342	4086
956	cocoa sapele A	+\$0	0	0	0	0
962	toasted walnut, low sheen A	+\$0	0	0	0	0
963	charred walnut, low sheen A	+\$0	0	0	0	0
964	bronzed walnut, low sheen A	+\$0	0	0	0	0
965	smoked walnut, low sheen A	+\$0	0	0	0	0
966	coffee walnut, low sheen A	+\$0	0	0	0	0
967	smoked paldao, low sheen A	+\$1010	1358	1394	1628	1532
969	warm paldao, low sheen A	+\$1010	1358	1394	1628	1532

977	chocolate ash, low sheen A	+\$0	0	0	0	0
978	natural oak A	+\$0	0	0	0	0
981	champagne hickory (natural) A	+\$0	0	0	0	0
98R	recograin rosewood A	+\$0	0	0	0	0
991	champagne ash A	+\$0	0	0	0	0
998	ebony ash A	+\$0	0	0	0	0
99A	recograin frosty ash A	+\$0	0	0	0	0
99R	recograin rosewood A	+\$0	0	0	0	0
99T	recograin teak A	+\$0	0	0	0	0
9A1	white ash, quarter cut, low sheen A	+\$0	0	0	0	0
9K1	rift oak, rift cut, low sheen A	+\$0	0	0	0	0
9K6	burnt oak, rift cut, low sheen A	+\$0	0	0	0	0
ED	aged cherry A	+\$0	0	0	0	0
EK	medium red walnut A	+\$0	0	0	0	0
G2U	light brown walnut, low sheen A	+\$0	0	0	0	0
G40	dark brown walnut, low sheen A	+\$0	0	0	0	0
UX	walnut on cherry A	+\$0	0	0	0	0

-CFCFCF -CHCHCH

931	champagne anigre (natural) A	+\$4373	4260
932	sundance anigre A	+\$4373	4260
933	caramel anigre A	+\$4373	4260
934	henna anigre A	+\$4373	4260
941	natural beech A	+\$0	0
942	sundance cherry (natural) A	+\$0	0
943	caramel cherry A	+\$0	0
946	cocoa cherry A	+\$0	0
951	natural anigre A	+\$4373	4260
956	cocoa sapele A	+\$0	0
962	toasted walnut, low sheen A	+\$0	0
963	charred walnut, low sheen A	+\$0	0
964	bronzed walnut, low sheen A	+\$0	0
965	smoked walnut, low sheen A	+\$0	0
966	coffee walnut, low sheen A	+\$0	0
967	smoked paldao, low sheen A	+\$1640	1598
969	warm paldao, low sheen A	+\$1640	1598

H-Frame Credenza Three Units

Wide *continued*

HermanMiller Collection—Storage

977	chocolate ash, low sheen <input type="checkbox"/>	+\$0	o
978	natural oak <input type="checkbox"/>	+\$0	o
981	champagne hickory (natural) <input type="checkbox"/>	+\$0	o
98R	recograin rosewood <input type="checkbox"/>	+\$0	o
991	champagne ash <input type="checkbox"/>	+\$0	o
998	ebony ash <input type="checkbox"/>	+\$0	o
99A	recograin frosty ash <input type="checkbox"/>	+\$0	o
99R	recograin rosewood <input type="checkbox"/>	+\$0	o
99T	recograin teak <input type="checkbox"/>	+\$0	o
9A1	white ash, quarter cut, low sheen <input type="checkbox"/>	+\$0	o
9K1	rift oak, rift cut, low sheen <input type="checkbox"/>	+\$0	o
9K6	burnt oak, rift cut, low sheen <input type="checkbox"/>	+\$0	o
ED	aged cherry <input type="checkbox"/>	+\$0	o
EK	medium red walnut <input type="checkbox"/>	+\$0	o
G2U	light brown walnut, low sheen <input type="checkbox"/>	+\$0	o
G40	dark brown walnut, low sheen <input type="checkbox"/>	+\$0	o
UX	walnut on cherry <input type="checkbox"/>	+\$0	o

Premium Veneer - Matte		-C1C1C1	-C1C2C2	-C1CFC2	-C1CGC2	-C2C2C2
662	toasted walnut, matte sheen <input type="checkbox"/>	+\$0	o	o	o	o
663	charred walnut, matte sheen <input type="checkbox"/>	+\$0	o	o	o	o
664	bronzed walnut, matte sheen <input type="checkbox"/>	+\$0	o	o	o	o
665	smoked walnut, matte sheen <input type="checkbox"/>	+\$0	o	o	o	o
666	coffee walnut, matte sheen <input type="checkbox"/>	+\$0	o	o	o	o
667	smoked paldao, quarter cut, matte sheen <input type="checkbox"/>	+\$1010	1358	1394	1628	1532
669	warm paldao, quarter cut, matte sheen <input type="checkbox"/>	+\$1010	1358	1394	1628	1532
66A	recograin frosty ash <input type="checkbox"/>	+\$0	o	o	o	o
677	chocolate ash, matte sheen <input type="checkbox"/>	+\$0	o	o	o	o
678	natural oak <input type="checkbox"/>	+\$0	o	o	o	o
68R	recograin rosewood <input type="checkbox"/>	+\$0	o	o	o	o
69A	recograin frosty ash <input type="checkbox"/>	+\$0	o	o	o	o
69R	recograin rosewood <input type="checkbox"/>	+\$0	o	o	o	o
69T	recograin teak <input type="checkbox"/>	+\$0	o	o	o	o
6A1	white ash <input type="checkbox"/>	+\$0	o	o	o	o
6K1	rift oak <input type="checkbox"/>	+\$0	o	o	o	o
6K6	burnt oak <input type="checkbox"/>	+\$0	o	o	o	o
ET	clear on ash <input type="checkbox"/>	+\$0	o	o	o	o
EU	oak on ash <input type="checkbox"/>	+\$0	o	o	o	o
EV	walnut on ash <input type="checkbox"/>	+\$0	o	o	o	o
GOU	natural walnut, flat cut, matte sheen <input type="checkbox"/>	+\$0	o	o	o	o

H-Frame Credenza Three Units

Wide *continued*

		-CFCFCF	-CHCHC
662	toasted walnut, matte sheen <input type="checkbox"/>	+\$0	0
663	charred walnut, matte sheen <input type="checkbox"/>	+\$0	0
664	bronzed walnut, matte sheen <input type="checkbox"/>	+\$0	0
665	smoked walnut, matte sheen <input type="checkbox"/>	+\$0	0
666	coffee walnut, matte sheen <input type="checkbox"/>	+\$0	0
667	smoked paldao, quarter cut, matte sheen <input type="checkbox"/>	+\$1640	1598
669	warm paldao, quarter cut, matte sheen <input type="checkbox"/>	+\$1640	1598
66A	recograin frosty ash <input type="checkbox"/>	+\$0	0
677	chocolate ash, matte sheen <input type="checkbox"/>	+\$0	0
678	natural oak <input type="checkbox"/>	+\$0	0
68R	recograin rosewood <input type="checkbox"/>	+\$0	0
69A	recograin frosty ash <input type="checkbox"/>	+\$0	0
69R	recograin rosewood <input type="checkbox"/>	+\$0	0
69T	recograin teak <input type="checkbox"/>	+\$0	0
6A1	white ash <input type="checkbox"/>	+\$0	0
6K1	rift oak <input type="checkbox"/>	+\$0	0
6K6	burnt oak <input type="checkbox"/>	+\$0	0
ET	clear on ash <input type="checkbox"/>	+\$0	0
EU	oak on ash <input type="checkbox"/>	+\$0	0
EV	walnut on ash <input type="checkbox"/>	+\$0	0
GOU	natural walnut, flat cut, matte sheen <input type="checkbox"/>	+\$0	0

RecoGrain Veneer

		-C1C1C1	-C1C2C2	-C1CFC2	-C1CGC2	-C2C2C2
66G	recograin wenge <input type="checkbox"/>	-\$337	-453	-465	-543	-511
68W	recograin walnut, flat cut, matte sheen <input type="checkbox"/>	-\$337	-453	-465	-543	-511
69G	recograin wenge <input type="checkbox"/>	-\$337	-453	-465	-543	-511
69K	recograin oak, quarter cut, matte sheen <input type="checkbox"/>	-\$337	-453	-465	-543	-511
69W	recograin walnut, quarter cut, matte sheen <input type="checkbox"/>	-\$337	-453	-465	-543	-511

		-CFCFCF	-CHCHC
66G	recograin wenge <input type="checkbox"/>	-\$547	-533
68W	recograin walnut, flat cut, matte sheen <input type="checkbox"/>	-\$547	-533
69G	recograin wenge <input type="checkbox"/>	-\$547	-533
69K	recograin oak, quarter cut, matte sheen <input type="checkbox"/>	-\$547	-533
69W	recograin walnut, quarter cut, matte sheen <input type="checkbox"/>	-\$547	-533

Recon Veneer -

		-C1C1C1	-C1C2C2	-C1CFC2	-C1CGC2	-C2C2C2
96G	wenge recograin, quarter cut, low sheen <input type="checkbox"/>	-\$337	-453	-465	-543	-511
98W	recograin walnut, flat cut, low sheen <input type="checkbox"/>	-\$337	-453	-465	-543	-511
99G	recograin wenge, quarter cut, low sheen <input type="checkbox"/>	-\$337	-453	-465	-543	-511
99K	recograin oak, quarter cut, low sheen <input type="checkbox"/>	-\$337	-453	-465	-543	-511
99W	recograin walnut, quarter cut, low sheen <input type="checkbox"/>	-\$337	-453	-465	-543	-511

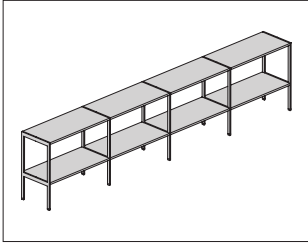
		-CFCFCF	-CHCHC
96G	wenge recograin, quarter cut, low sheen <input type="checkbox"/>	-\$547	-533
98W	recograin walnut, flat cut, low sheen <input type="checkbox"/>	-\$547	-533
99G	recograin wenge, quarter cut, low sheen <input type="checkbox"/>	-\$547	-533
99K	recograin oak, quarter cut, low sheen <input type="checkbox"/>	-\$547	-533
99W	recograin walnut, quarter cut, low sheen <input type="checkbox"/>	-\$547	-533

Step 7. Metal Finish

CHR	chrome <input type="checkbox"/>	+\$0
SAC	satin chrome <input type="checkbox"/>	+\$0

H-Frame Credenza Four Units Wide

JCH4-



Product Information

Description

This four-unit wide H-frame credenza has a wooden top and includes 1/2"-thick metal frame gables on the ends. H-frame credenzas are modular and shipped partially assembled.

Notes

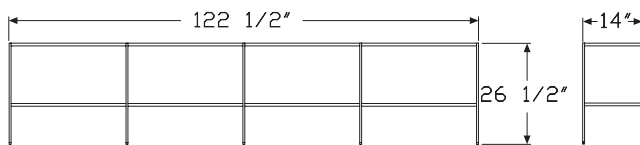
All hardware for assembly is included.

Drawer credenzas include wood boxes and self-closing hidden drawer slides.

CG six box drawer credenza includes pencil trays and felt lining in bottom of top two drawers.

When applicable, Ward Bennett Flip pulls come in matching metal finish. Santos palisander veneer is celebrated for its unique grain and color variations. Similar products ordered in multiples or dissimilar products ordered separately should be expected to have variation in both grain and color characteristics; no two products will look exactly alike.

Dimensions



Specification Information

Step 1.

JCH4

Step 2. Size

-14123 14" deep x 122 1/2" wide x 26 1/2" high

Step 3. Configuration - left unit

-C1 open shelf

-C2 two doors

-CF two 15" file drawers

-CH one file drawer

Step 4. Configuration - left center unit

For open shelf (-C1)

C1 open shelf

CG six box drawers (top two pencil trays)

For two doors (-C2)

C2 two doors

For two 15" file drawers (-CF)

CF two 15" file drawers

For one file drawer (-CH)

CH one file drawer

Step 5. Configuration - right center unit

For open shelf (-C1) with open shelf (C1)

C1 open shelf

C2 two doors

CG six box drawers (top two pencil trays)

For open shelf (-C1) with six box drawers (top two pencil trays) (CG)

CF two 15" file drawers

For two doors (-C2) with two doors (C2)

C2 two doors

For two 15" file drawers (-CF) with two 15" file drawers (CF)

CF two 15" file drawers

For one file drawer (-CH) with one file drawer (CH)

CH one file drawer

H-Frame Credenza Four Units

Wide *continued*

Step 6. Configuration - right unit

For open shelf (-C1) with open shelf (C1) with open shelf (C1)

C1 open shelf A

For open shelf (-C1) with open shelf (C1) with two doors (C2)

C2 two doors A

For open shelf (-C1) with open shelf (C1) with six box drawers (top two pencil trays) (CG)

C2 two doors A

For open shelf (-C1) with six box drawers (top two pencil trays) (CG) with two 15" file drawers (CF)

C2 two doors A

For two doors (-C2) with two doors (C2) with two doors (C2)

C2 two doors A

For two 15" file drawers (-CF) with two 15" file drawers (CF) with two 15" file drawers (CF)

CF two 15" file drawers A

For one file drawer (-CH) with one file drawer (CH) with one file drawer (CH)

CH double doors left, 30" box/file right A

Prices for Steps 1-6.

		C1C1	C1C2	CFCF	CFC2	CHCH	C2C2
JCH4-14123	-C1 C1	\$8874	—	—	—	—	11230
	CG	—	—	—	\$14476	—	—
	-C2 C2	—	—	—	—	—	\$13581
	-CF CF	—	—	\$14555	—	—	—
	-CH CH	—	—	—	—	\$14182	—
						CGCF	CGC2
JCH4-14123	-C1 C1						— \$13054

Step 7. Wood Finish

Premium Veneer - Low Sheen

For open shelf (C1), two doors (C2), two 15" file drawers (CF) AND one file drawer (CH)

		-C1C1C1	-C1C1C2	-C1C1CGC2	-C1CGCF2	-C2C2C2
931	champagne anigre (natural) A	+\$3503	4433	5153	5361	5746

932	sundance anigre A	+\$3503	4433	5153	5361	5746
933	caramel anigre A	+\$3503	4433	5153	5361	5746
934	henna anigre A	+\$3503	4433	5153	5361	5746
941	natural beech A	+\$0	0	0	0	0
942	sundance cherry (natural) A	+\$0	0	0	0	0
943	caramel cherry A	+\$0	0	0	0	0
946	cocoa cherry A	+\$0	0	0	0	0
951	natural anigre A	+\$3503	4433	5153	5361	5746
956	cocoa sapele A	+\$0	0	0	0	0
962	toasted walnut, low sheen A	+\$0	0	0	0	0
963	charred walnut, low sheen A	+\$0	0	0	0	0
964	bronzed walnut, low sheen A	+\$0	0	0	0	0
965	smoked walnut, low sheen A	+\$0	0	0	0	0
966	coffee walnut, low sheen A	+\$0	0	0	0	0
967	smoked paldao, low sheen A	+\$1314	1663	1933	2011	2155
969	warm paldao, low sheen A	+\$1314	1663	1933	2011	2155
977	chocolate ash, low sheen A	+\$0	0	0	0	0
978	natural oak A	+\$0	0	0	0	0
981	champagne hickory (natural) A	+\$0	0	0	0	0
98R	recograin rosewood A	+\$0	0	0	0	0
991	champagne ash A	+\$0	0	0	0	0
998	ebony ash A	+\$0	0	0	0	0
99A	recograin frosty ash A	+\$0	0	0	0	0
99R	recograin rosewood A	+\$0	0	0	0	0
99T	recograin teak A	+\$0	0	0	0	0
9A1	white ash, quarter cut, low sheen A	+\$0	0	0	0	0
9K1	rift oak, rift cut, low sheen A	+\$0	0	0	0	0
9K6	burnt oak, rift cut, low sheen A	+\$0	0	0	0	0
ED	aged cherry A	+\$0	0	0	0	0

H-Frame Credenza Four Units

Wide *continued*

HermanMiller Collection—Storage

		+\$0	0	0	0	0
EK	medium red walnut A					
G2U	light brown walnut, low sheen A					
G40	dark brown walnut, low sheen A					
UX	walnut on cherry A					
-----CFCFCFCF -CHCHCHCH						
931	champagne anigre (natural) A					+\$5598
932	sundance anigre A					+\$5598
933	caramel anigre A					+\$5598
934	henna anigre A					+\$5598
941	natural beech A					+\$0
942	sundance cherry (natural) A					+\$0
943	caramel cherry A					+\$0
946	cocoa cherry A					+\$0
951	natural anigre A					+\$5598
956	cocoa sapele A					+\$0
962	toasted walnut, low sheen A					+\$0
963	charred walnut, low sheen A					+\$0
964	bronzed walnut, low sheen A					+\$0
965	smoked walnut, low sheen A					+\$0
966	coffee walnut, low sheen A					+\$0
967	smoked paldao, low sheen A					+\$2100
969	warm paldao, low sheen A					+\$2100
977	chocolate ash, low sheen A					+\$0
978	natural oak A					+\$0
981	champagne hickory (natural) A					+\$0
98R	recograin rosewood A					+\$0
991	champagne ash A					+\$0
998	ebony ash A					+\$0
99A	recograin frosty ash A					+\$0
99R	recograin rosewood A					+\$0
99T	recograin teak A					+\$0
9A1	white ash, quarter cut, low sheen A					+\$0
9K1	rift oak, rift cut, low sheen A					+\$0
9K6	burnt oak, rift cut, low sheen A					+\$0
ED	aged cherry A					+\$0
EK	medium red walnut A					+\$0
G2U	light brown walnut, low sheen A					+\$0
G40	dark brown walnut, low sheen A					+\$0
UX	walnut on cherry A					+\$0

Premium Veneer - Matte		For open shelf (C1), two doors (C2), two 15" file drawers (CF) AND one file drawer (CH)				
		-C1C1C1C1	-C1C1C2C2	-C1C1CGC2	-C1CGCFC2	-C2C2C2C2
662	toasted walnut, matte sheen A	+\$0	0	0	0	0
663	charred walnut, matte sheen A	+\$0	0	0	0	0
664	bronzed walnut, matte sheen A	+\$0	0	0	0	0
665	smoked walnut, matte sheen A	+\$0	0	0	0	0
666	coffee walnut, matte sheen A	+\$0	0	0	0	0
667	smoked paldao, quarter cut, matte sheen A	+\$1314	1663	1933	2011	2155
669	warm paldao, quarter cut, matte sheen A	+\$1314	1663	1933	2011	2155
66A	recograin frosty ash A	+\$0	0	0	0	0
677	chocolate ash, matte sheen A	+\$0	0	0	0	0
678	natural oak A	+\$0	0	0	0	0
68R	recograin rosewood A	+\$0	0	0	0	0
69A	recograin frosty ash A	+\$0	0	0	0	0
69R	recograin rosewood A	+\$0	0	0	0	0
69T	recograin teak A	+\$0	0	0	0	0
6A1	white ash A	+\$0	0	0	0	0
6K1	rift oak A	+\$0	0	0	0	0
6K6	burnt oak A	+\$0	0	0	0	0
ET	clear on ash A	+\$0	0	0	0	0
EU	oak on ash A	+\$0	0	0	0	0
EV	walnut on ash A	+\$0	0	0	0	0
GOU	natural walnut, flat cut, matte sheen A	+\$0	0	0	0	0

H-Frame Credenza Four Units

Wide *continued*

		-CFCFCFCF	-CHCHCHCH
662	toasted walnut, matte sheen <input type="checkbox"/>		+\$0
663	charred walnut, matte sheen <input type="checkbox"/>		+\$0
664	bronzed walnut, matte sheen <input type="checkbox"/>		+\$0
665	smoked walnut, matte sheen <input type="checkbox"/>		+\$0
666	coffee walnut, matte sheen <input type="checkbox"/>		+\$0
667	smoked paldao, quarter cut, matte sheen <input type="checkbox"/>		+\$2100
669	warm paldao, quarter cut, matte sheen <input type="checkbox"/>		+\$2100
66A	recograin frosty ash <input type="checkbox"/>		+\$0
677	chocolate ash, matte sheen <input type="checkbox"/>		+\$0
678	natural oak <input type="checkbox"/>		+\$0
68R	recograin rosewood <input type="checkbox"/>		+\$0
69A	recograin frosty ash <input type="checkbox"/>		+\$0
69R	recograin rosewood <input type="checkbox"/>		+\$0
69T	recograin teak <input type="checkbox"/>		+\$0
6A1	white ash <input type="checkbox"/>		+\$0
6K1	rift oak <input type="checkbox"/>		+\$0
6K6	burnt oak <input type="checkbox"/>		+\$0
ET	clear on ash <input type="checkbox"/>		+\$0
EU	oak on ash <input type="checkbox"/>		+\$0
EV	walnut on ash <input type="checkbox"/>		+\$0
GOU	natural walnut, flat cut, matte sheen <input type="checkbox"/>		+\$0

RecoGrain Veneer

For open shelf (C1), two doors (C2), two 15" file drawers (CF) AND one file drawer (CH)

		-C1C1C1C1	-C1C1C2C2	-C1C1CGC2	-C1CGCFC2	-C2C2C2C2
66G	recograin wenge <input type="checkbox"/>	-\$438	-555	-645	-671	-719
68W	recograin walnut, flat cut, matte sheen <input type="checkbox"/>	-\$438	-555	-645	-671	-719
69G	recograin wenge <input type="checkbox"/>	-\$438	-555	-645	-671	-719
69K	recograin oak, quarter cut, matte sheen <input type="checkbox"/>	-\$438	-555	-645	-671	-719
69W	recograin walnut, quarter cut, matte sheen <input type="checkbox"/>	-\$438	-555	-645	-671	-719

		-CFCFCFCF	-CHCHCHCH
66G	recograin wenge <input type="checkbox"/>		-\$700
68W	recograin walnut, flat cut, matte sheen <input type="checkbox"/>		-\$700
69G	recograin wenge <input type="checkbox"/>		-\$700
69K	recograin oak, quarter cut, matte sheen <input type="checkbox"/>		-\$700
69W	recograin walnut, quarter cut, matte sheen <input type="checkbox"/>		-\$700

Recon Veneer -

For open shelf (C1), two doors (C2), two 15" file drawers (CF) AND one file drawer (CH)

		-C1C1C1C1	-C1C1C2C2	-C1C1CGC2	-C1CGCFC2	-C2C2C2C2
96G	wenge recograin, quarter cut, low sheen <input type="checkbox"/>	-\$438	-555	-645	-671	-719
98W	recograin walnut, flat cut, low sheen <input type="checkbox"/>	-\$438	-555	-645	-671	-719
99G	recograin wenge, quarter cut, low sheen <input type="checkbox"/>	-\$438	-555	-645	-671	-719
99K	recograin oak, quarter cut, low sheen <input type="checkbox"/>	-\$438	-555	-645	-671	-719
99W	recograin walnut, quarter cut, low sheen <input type="checkbox"/>	-\$438	-555	-645	-671	-719

		-CFCFCFCF	-CHCHCHCH
96G	wenge recograin, quarter cut, low sheen <input type="checkbox"/>		-\$700
98W	recograin walnut, flat cut, low sheen <input type="checkbox"/>		-\$700
99G	recograin wenge, quarter cut, low sheen <input type="checkbox"/>		-\$700
99K	recograin oak, quarter cut, low sheen <input type="checkbox"/>		-\$700
99W	recograin walnut, quarter cut, low sheen <input type="checkbox"/>		-\$700

H-Frame Credenza Four Units

Wide *continued*

Premium Veneer - Low Sheen

For open shelf (-C1) or one file drawer (-CH) with one file drawer (CH), or six box drawers (top two pencil trays) (CG) with two 15" file drawers (CF), or one file drawer (CH) with two doors (C2)

931	champagne anigre (natural) A	+\$5714
932	sundance anigre A	+\$5714
933	caramel anigre A	+\$5714
941	natural beech A	+\$0
942	sundance cherry (natural) A	+\$0
943	caramel cherry A	+\$0
946	cocoa cherry A	+\$0
951	natural anigre A	+\$5714
956	cocoa sapele A	+\$0
962	toasted walnut, low sheen A	+\$0
963	charred walnut, low sheen A	+\$0
964	bronzed walnut, low sheen A	+\$0
965	smoked walnut, low sheen A	+\$0
966	coffee walnut, low sheen A	+\$0
967	smoked paldao, low sheen A	+\$2143
969	warm paldao, low sheen A	+\$2143
977	chocolate ash, low sheen A	+\$0
978	natural oak A	+\$0
981	champagne hickory (natural) A	+\$0
98R	recograin rosewood A	+\$0
991	champagne ash A	+\$0
998	ebony ash A	+\$0
99A	recograin frosty ash A	+\$0
99R	recograin rosewood A	+\$0
99T	recograin teak A	+\$0
9A1	white ash, quarter cut, low sheen A	+\$0
9K1	rift oak, rift cut, low sheen A	+\$0
9K6	burnt oak, rift cut, low sheen A	+\$0
ED	aged cherry A	+\$0
EK	medium red walnut A	+\$0
G2U	light brown walnut, low sheen A	+\$0
G40	dark brown walnut, low sheen A	+\$0
UX	walnut on cherry A	+\$0

Premium Veneer - Matte

For open shelf (-C1) or one file drawer (-CH) with one file drawer (CH), or six box drawers (top two pencil trays) (CG) with two 15" file drawers (CF), or one file drawer (CH) with two doors (C2)

662	toasted walnut, matte sheen A	+\$0
663	charred walnut, matte sheen A	+\$0
664	bronzed walnut, matte sheen A	+\$0
665	smoked walnut, matte sheen A	+\$0
666	coffee walnut, matte sheen A	+\$0
667	smoked paldao, quarter cut, matte sheen A	+\$2143
669	warm paldao, quarter cut, matte sheen A	+\$2143
66A	recograin frosty ash A	+\$0
677	chocolate ash, matte sheen A	+\$0
678	natural oak A	+\$0
68R	recograin rosewood A	+\$0
69A	recograin frosty ash A	+\$0
69R	recograin rosewood A	+\$0
69T	recograin teak A	+\$0
6A1	white ash A	+\$0
6K1	rift oak A	+\$0
6K6	burnt oak A	+\$0
ET	clear on ash A	+\$0
EU	oak on ash A	+\$0
EV	walnut on ash A	+\$0
GOU	natural walnut, flat cut, matte sheen A	+\$0

RecoGrain Veneer

For open shelf (-C1) or one file drawer (-CH) with one file drawer (CH), or six box drawers (top two pencil trays) (CG) with two 15" file drawers (CF), or one file drawer (CH) with two doors (C2)

66G	recograin wenge A	-\$715
68W	recograin walnut, flat cut, matte sheen A	-\$715
69G	recograin wenge A	-\$715
69K	recograin oak, quarter cut, matte sheen A	-\$715
69W	recograin walnut, quarter cut, matte sheen A	-\$715

Recon Veneer -

For open shelf (-C1) or one file drawer (-CH) with one file drawer (CH), or six box drawers (top two pencil trays) (CG) with two 15" file drawers (CF), or one file drawer (CH) with two doors (C2)

96G	wenge recograin, quarter cut, low sheen A	-\$715
98W	recograin walnut, flat cut, low sheen A	-\$715
99G	recograin wenge, quarter cut, low sheen A	-\$715
99K	recograin oak, quarter cut, low sheen A	-\$715
99W	recograin walnut, quarter cut, low sheen A	-\$715

H-Frame Credenza Four Units

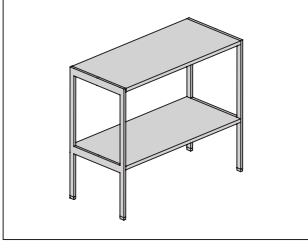
Wide *continued*

Step 8. Metal Finish

CHR	chrome <input type="checkbox"/>	+\$0
SAC	satin chrome <input type="checkbox"/>	+\$0

H-Frame Credenza Stone Top

JCH1S
JCH2S
JCH3S
JCH4S



Product Information

Description

This one-unit wide H-frame credenza has a stone top and includes 1/2"-thick metal frame gables on the ends. H-frame credenzas are modular and shipped partially assembled.

Notes

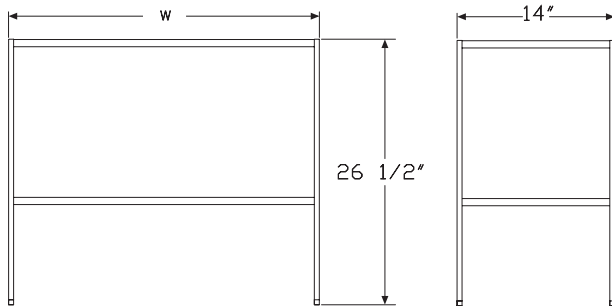
All hardware for assembly is included.

Drawer credenzas include wood boxes and self-closing hidden drawer slides.

CG six box drawer credenza includes pencil trays and felt lining in bottom of top two drawers.

When applicable, Ward Bennett Flip pulls come in matching metal finish. Santos palisander veneer is celebrated for its unique grain and color variations. Similar products ordered in multiples or dissimilar products ordered separately should be expected to have variation in both grain and color characteristics; no two products will look exactly alike.

Dimensions



Specification Information

Step 1.

JCH A

Step 2. Size and Configuration

1S-1431-C1 14" deep x 31" wide x 26 1/2" high, 1 unit, open A

2S-1462-C1C1 14" deep x 61 1/2" wide x 26 1/2" high, 2 units, open A

3S-1492-C1C1C1 14" deep x 92" wide x 26 1/2" high, 3 units, open A

4S-14123-C1C1C1C1 14" deep x 122 1/2" wide x 26 1/2" high, 4 units, open A

Prices for Steps 1-2.

JCH1S-1431-C1	\$3652
JCH2S-1462-C1C1	\$6656
JCH3S-1492-C1C1C1	\$9660
JCH4S-14123-C1C1C1C1	\$12663

Step 3. Stone or Marble Top

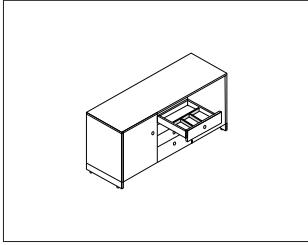
200	perfato marble <input type="checkbox"/> A	+\$0
250	verde antique marble <input type="checkbox"/> A	+\$0
400	black granite <input type="checkbox"/> A	+\$0
5U	georgia grey marble <input type="checkbox"/> A	+\$0
800	autumn brown granite <input type="checkbox"/> A	+\$0
960	white carrara marble <input type="checkbox"/> A	+\$0
HR	wisconsin black marble <input type="checkbox"/> A	+\$0

Step 4. Metal Finish

CHR	chrome <input type="checkbox"/> A	+\$0
SAC	satin chrome <input type="checkbox"/> A	+\$0

Silverware Drawer Insert

JA

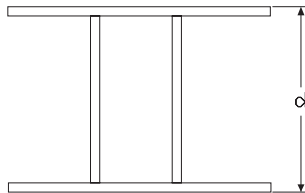
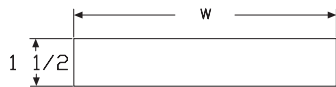


Product Information

Description

This drawer insert is for use with H-frame, sled, and mobile credenzas, in top box drawers. The bottom of top box drawer and silverware insert are covered with fabric.

Dimensions



Specification Information

Step 1.

JA A \$406

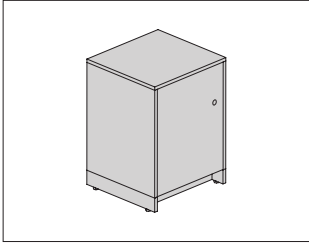
Step 2. Configuration

H1-712 for use with H-frame credenza A +\$0

S1-1015 for use with sled base or mobile credenza A +\$0

Sled Base Pedestal

JCS1-



HermanMiller Collection—Storage

Product Information

Description

This one-unit wide sled base credenza has a wood top and includes 3"-high metal base on the 3/4"-thick credenza gable. Storage unit is 18"-wide. Ward Bennett Flip pulls come in matching metal finish.

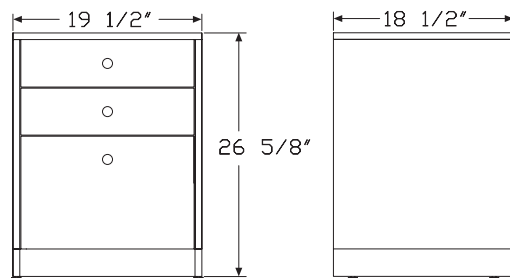
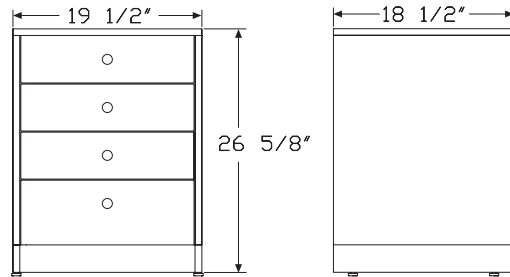
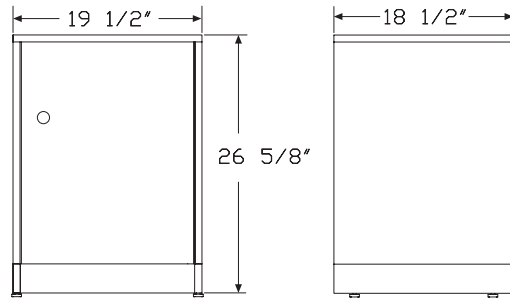
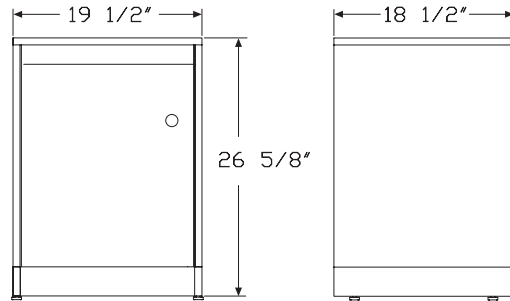
Notes

Sled base credenzas ship assembled.

Drawer credenzas include wood boxes and self-closing hidden drawer slides. Pencil tray and felt lining in bottom of drawer also included.

Santos palisander veneer is celebrated for its unique grain and color variations. Similar products ordered in multiples or dissimilar products ordered separately should be expected to have variation in both grain and color characteristics; no two products will look exactly alike.

Dimensions



Sled Base Pedestal *continued*

Specification Information

Step 1.

JCS1

Step 2. Size

-1920 18¹/₂" deep x 19¹/₂" wide x 26⁵/₈" high

Step 3. Configuration

-B2L single door, hinged left

-B2R single door, hinged right

-B3 four box drawer

-B4 box, box, file

Prices for Steps 1-3.

JCS1-1920	-B2L	\$3537
	-B2R	\$3537
	-B3	\$4637
	-B4	\$4216

Step 4. Wood Finish

Premium Veneer - Low Sheen

		-B2L	-B2R	-B3	-B4
931	champagne anigre (natural) <input type="checkbox"/>	+\$1396	1396	1831	1664
932	sundance anigre <input type="checkbox"/>	+\$1396	1396	1831	1664
933	caramel anigre <input type="checkbox"/>	+\$1396	1396	1831	1664
934	henna anigre <input type="checkbox"/>	+\$1396	1396	1831	1664
941	natural beech <input type="checkbox"/>	+\$0	0	0	0
942	sundance cherry (natural) <input type="checkbox"/>	+\$0	0	0	0
943	caramel cherry <input type="checkbox"/>	+\$0	0	0	0
946	cocoa cherry <input type="checkbox"/>	+\$0	0	0	0
951	natural anigre <input type="checkbox"/>	+\$1396	1396	1831	1664
956	cocoa sapele <input type="checkbox"/>	+\$0	0	0	0
962	toasted walnut, low sheen <input type="checkbox"/>	+\$0	0	0	0
963	charred walnut, low sheen <input type="checkbox"/>	+\$0	0	0	0
964	bronzed walnut, low sheen <input type="checkbox"/>	+\$0	0	0	0
965	smoked walnut, low sheen <input type="checkbox"/>	+\$0	0	0	0
966	coffee walnut, low sheen <input type="checkbox"/>	+\$0	0	0	0
967	smoked paldao, low sheen <input type="checkbox"/>	+\$524	524	687	624
969	warm paldao, low sheen <input type="checkbox"/>	+\$524	524	687	624

977	chocolate ash, low sheen <input type="checkbox"/>	+\$0	0	0	0
978	natural oak <input type="checkbox"/>	+\$0	0	0	0
981	champagne hickory (natural) <input type="checkbox"/>	+\$0	0	0	0
98R	recograin rosewood <input type="checkbox"/>	+\$0	0	0	0
991	champagne ash <input type="checkbox"/>	+\$0	0	0	0
998	ebony ash <input type="checkbox"/>	+\$0	0	0	0
99A	recograin frosty ash <input type="checkbox"/>	+\$0	0	0	0
99R	recograin rosewood <input type="checkbox"/>	+\$0	0	0	0
99T	recograin teak <input type="checkbox"/>	+\$0	0	0	0
9A1	white ash, quarter cut, low sheen <input type="checkbox"/>	+\$0	0	0	0
9K1	rift oak, rift cut, low sheen <input type="checkbox"/>	+\$0	0	0	0
9K6	burnt oak, rift cut, low sheen <input type="checkbox"/>	+\$0	0	0	0
ED	aged cherry <input type="checkbox"/>	+\$0	0	0	0
EK	medium red walnut <input type="checkbox"/>	+\$0	0	0	0
G2U	light brown walnut, low sheen <input type="checkbox"/>	+\$0	0	0	0
G40	dark brown walnut, low sheen <input type="checkbox"/>	+\$0	0	0	0
UX	walnut on cherry <input type="checkbox"/>	+\$0	0	0	0

Sled Base Pedestal *continued*

Premium Veneer - Matte		-B2L	-B2R	-B3	-B4
662	toasted walnut, matte sheen A	+\$0	0	0	0
663	charred walnut, matte sheen A	+\$0	0	0	0
664	bronzed walnut, matte sheen A	+\$0	0	0	0
665	smoked walnut, matte sheen A	+\$0	0	0	0
666	coffee walnut, matte sheen A	+\$0	0	0	0
667	smoked paldao, quarter cut, matte sheen A	+\$524	524	687	624
669	warm paldao, quarter cut, matte sheen A	+\$524	524	687	624
66A	recograin frosty ash A	+\$0	0	0	0
677	chocolate ash, matte sheen A	+\$0	0	0	0
678	natural oak A	+\$0	0	0	0
68R	recograin rosewood A	+\$0	0	0	0
69A	recograin frosty ash A	+\$0	0	0	0
69R	recograin rosewood A	+\$0	0	0	0
69T	recograin teak A	+\$0	0	0	0
6A1	white ash A	+\$0	0	0	0
6K1	rift oak A	+\$0	0	0	0
6K6	burnt oak A	+\$0	0	0	0
ET	clear on ash A	+\$0	0	0	0
EU	oak on ash A	+\$0	0	0	0
EV	walnut on ash A	+\$0	0	0	0
GOU	natural walnut, flat cut, matte sheen A	+\$0	0	0	0

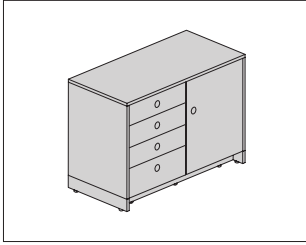
RecoGrain Veneer		-B2L	-B2R	-B3	-B4
66G	recograin wenge A	-\$175	-175	-229	-208
68W	recograin walnut, flat cut, matte sheen A	-\$175	-175	-229	-208
69G	recograin wenge A	-\$175	-175	-229	-208
69K	recograin oak, quarter cut, matte sheen A	-\$175	-175	-229	-208
69W	recograin walnut, quarter cut, matte sheen A	-\$175	-175	-229	-208

Recon Veneer -		-B2L	-B2R	-B3	-B4
96G	wenge recograin, quarter cut, low sheen A	-\$175	-175	-229	-208
98W	recograin walnut, flat cut, low sheen A	-\$175	-175	-229	-208
99G	recograin wenge, quarter cut, low sheen A	-\$175	-175	-229	-208
99K	recograin oak, quarter cut, low sheen A	-\$175	-175	-229	-208
99W	recograin walnut, quarter cut, low sheen A	-\$175	-175	-229	-208

Step 5. Metal Finish					
CHR	chrome A				+\$0
SAC	satin chrome A				+\$0

Sled Base Credenza Two Units Wide

JCS2-Wide



Product Information

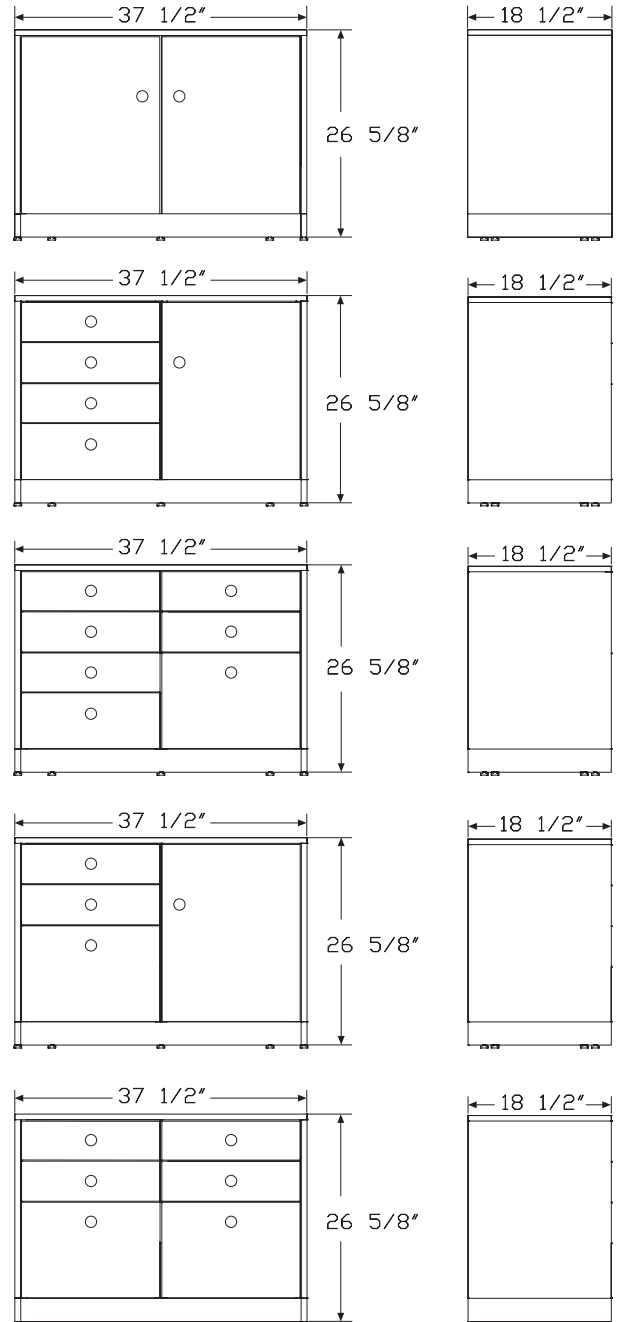
Description

This two-unit wide sled base credenza has a wood top and includes 3"-high metal base on the 3/4"-thick credenza gable. Storage unit is 18"-wide. Ward Bennett Flip pulls come in matching metal finish.

Notes

Sled base credenzas ship assembled.
 Drawer credenzas include wood boxes and self-closing hidden drawer slides. Pencil tray and felt lining in bottom of drawer also included.
 Santos palisander veneer is celebrated for its unique grain and color variations. Similar products ordered in multiples or dissimilar products ordered separately should be expected to have variation in both grain and color characteristics; no two products will look exactly alike.

Dimensions



Sled Base Credenza Two Units

Wide *continued*

Specification Information						
Step 1.						
JCS2 A						
Step 2. Size						
-1938	18 ¹ / ₂ " deep x 37 ¹ / ₂ " wide x 26 ⁵ / ₈ " high A					
Step 3. Configuration						
-B2B2	two doors A					
-B3B2	four drawers left, single door right A					
-B3B4	four drawers left, BBF right A					
-B4B2	BBF left, single door right A					
-B4B4	BBF left, BBF right A					
Prices for Steps 1-3.						
JCS2-1938	-B2B2	\$5671				
	-B3B2	\$6772				
	-B3B4	\$7452				
	-B4B2	\$6350				
	-B4B4	\$7030				
Step 4. Wood Finish						
Premium Veneer - Low Sheen						
		-B2B2	-B3B2	-B3B4	-B4B2	-B4B4
931	champagne anigre (natural) A	+\$2239	2673	2942	2507	2775
932	sundance anigre A	+\$2239	2673	2942	2507	2775
933	caramel anigre A	+\$2239	2673	2942	2507	2775
934	henna anigre A	+\$2239	2673	2942	2507	2775
941	natural beech A	+\$0	0	0	0	0
942	sundance cherry (natural) A	+\$0	0	0	0	0
943	caramel cherry A	+\$0	0	0	0	0
946	cocoa cherry A	+\$0	0	0	0	0
951	natural anigre A	+\$2239	2673	2942	2507	2775
956	cocoa sapele A	+\$0	0	0	0	0
962	toasted walnut, low sheen A	+\$0	0	0	0	0
963	charred walnut, low sheen A	+\$0	0	0	0	0
964	bronzed walnut, low sheen A	+\$0	0	0	0	0
965	smoked walnut, low sheen A	+\$0	0	0	0	0

966	coffee walnut, low sheen A	+\$0	0	0	0	0
967	smoked paldao, low sheen A	+\$840	1003	1103	940	1041
969	warm paldao, low sheen A	+\$840	1003	1103	940	1041
977	chocolate ash, low sheen A	+\$0	0	0	0	0
978	natural oak A	+\$0	0	0	0	0
981	champagne hickory (natural) A	+\$0	0	0	0	0
98R	recograin rosewood A	+\$0	0	0	0	0
991	champagne ash A	+\$0	0	0	0	0
998	ebony ash A	+\$0	0	0	0	0
99A	recograin frosty ash A	+\$0	0	0	0	0
99R	recograin rosewood A	+\$0	0	0	0	0
99T	recograin teak A	+\$0	0	0	0	0
9A1	white ash, quarter cut, low sheen A	+\$0	0	0	0	0
9K1	rift oak, rift cut, low sheen A	+\$0	0	0	0	0
9K6	burnt oak, rift cut, low sheen A	+\$0	0	0	0	0
ED	aged cherry A	+\$0	0	0	0	0
EK	medium red walnut A	+\$0	0	0	0	0
G2U	light brown walnut, low sheen A	+\$0	0	0	0	0
G40	dark brown walnut, low sheen A	+\$0	0	0	0	0
UX	walnut on cherry A	+\$0	0	0	0	0

Sled Base Credenza Two Units

Wide *continued*

Premium Veneer - Matte

		-B2B2	-B3B2	-B3B4	-B4B2	-B4B4
662	toasted walnut, matte sheen A	+\$0	0	0	0	0
663	charred walnut, matte sheen A	+\$0	0	0	0	0
664	bronzed walnut, matte sheen A	+\$0	0	0	0	0
665	smoked walnut, matte sheen A	+\$0	0	0	0	0
666	coffee walnut, matte sheen A	+\$0	0	0	0	0
667	smoked paldao, quarter cut, matte sheen A	+\$840	1003	1103	940	1041
669	warm paldao, quarter cut, matte sheen A	+\$840	1003	1103	940	1041
66A	recograin frosty ash A	+\$0	0	0	0	0
677	chocolate ash, matte sheen A	+\$0	0	0	0	0
678	natural oak A	+\$0	0	0	0	0
68R	recograin rosewood A	+\$0	0	0	0	0
69A	recograin frosty ash A	+\$0	0	0	0	0
69R	recograin rosewood A	+\$0	0	0	0	0
69T	recograin teak A	+\$0	0	0	0	0
6A1	white ash A	+\$0	0	0	0	0
6K1	rift oak A	+\$0	0	0	0	0
6K6	burnt oak A	+\$0	0	0	0	0
ET	clear on ash A	+\$0	0	0	0	0
EU	oak on ash A	+\$0	0	0	0	0
EV	walnut on ash A	+\$0	0	0	0	0
GOU	natural walnut, flat cut, matte sheen A	+\$0	0	0	0	0

RecoGrain Veneer

		-B2B2	-B3B2	-B3B4	-B4B2	-B4B4
66G	recograin wenge A	-\$280	-335	-368	-314	-347
68W	recograin walnut, flat cut, matte sheen A	-\$280	-335	-368	-314	-347
69G	recograin wenge A	-\$280	-335	-368	-314	-347
69K	recograin oak, quarter cut, matte sheen A	-\$280	-335	-368	-314	-347
69W	recograin walnut, quarter cut, matte sheen A	-\$280	-335	-368	-314	-347

Recon Veneer -

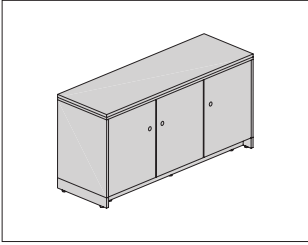
		-B2B2	-B3B2	-B3B4	-B4B2	-B4B4
96G	wenge recograin, quarter cut, low sheen A	-\$280	-335	-368	-314	-347
98W	recograin walnut, flat cut, low sheen A	-\$280	-335	-368	-314	-347
99G	recograin wenge, quarter cut, low sheen A	-\$280	-335	-368	-314	-347
99K	recograin oak, quarter cut, low sheen A	-\$280	-335	-368	-314	-347
99W	recograin walnut, quarter cut, low sheen A	-\$280	-335	-368	-314	-347

Step 5. Metal Finish

CHR	chrome A					+\$0
SAC	satin chrome A					+\$0

Sled Base Credenza Three Units Wide

JCS3-Wide



HermanMiller Collection—Storage

Product Information

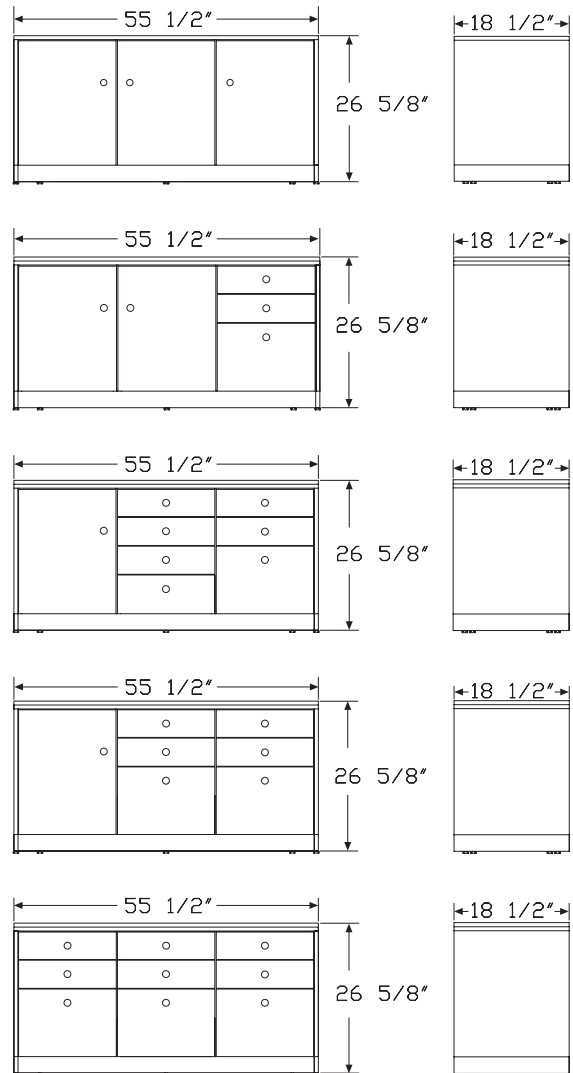
Description

This three-unit wide sled base credenza has a wood top and includes 3"-high metal base on the 3/4"-thick credenza gable. Storage unit is 18"-wide. Ward Bennett Flip pulls come in matching metal finish.

Notes

Sled base credenzas ship assembled.
 Drawer credenzas include wood boxes and self-closing hidden drawer slides. Pencil tray and felt lining in bottom of drawer also included.
 Santos palisander veneer is celebrated for its unique grain and color variations. Similar products ordered in multiples or dissimilar products ordered separately should be expected to have variation in both grain and color characteristics; no two products will look exactly alike.

Dimensions



Sled Base Credenza Three Units

Wide *continued*

Specification Information

Step 1.

JCS3

Step 2. Size

-1956 18¹/₂" deep x 55¹/₂" wide x 26⁵/₈" high

Step 3. Configuration

-B2B2B2 three single doors

-B2B2B4 single door left, single door center, BBF right

-B2B3B4 single door left, 4 box center, BBF right

-B2B4B4 single door left, BBF center, BBF right

-B4B4B4 BBF left, BBF center, BBF right

Prices for Steps 1-3.

JCS3-1956	-B2B2B2	\$7858
	-B2B2B4	\$8537
	-B2B3B4	\$9638
	-B2B4B4	\$9217
	-B4B4B4	\$9897

Step 4. Wood Finish

Premium Veneer - Low Sheen

		-B2B2B2	-B2B2B4	-B2B3B4	-B2B4B4	-B4B4B4
931	champagne anigre (natural) <input type="checkbox"/>	+\$3102	3370	3805	3638	3907
932	sundance anigre <input type="checkbox"/>	+\$3102	3370	3805	3638	3907
933	caramel anigre <input type="checkbox"/>	+\$3102	3370	3805	3638	3907
934	henna anigre <input type="checkbox"/>	+\$3102	3370	3805	3638	3907
941	natural beech <input type="checkbox"/>	+\$0	0	0	0	0
942	sundance cherry (natural) <input type="checkbox"/>	+\$0	0	0	0	0
943	caramel cherry <input type="checkbox"/>	+\$0	0	0	0	0
946	cocoa cherry <input type="checkbox"/>	+\$0	0	0	0	0
951	natural anigre <input type="checkbox"/>	+\$3102	3370	3805	3638	3907
956	cocoa sapele <input type="checkbox"/>	+\$0	0	0	0	0
962	toasted walnut, low sheen <input type="checkbox"/>	+\$0	0	0	0	0
963	charred walnut, low sheen <input type="checkbox"/>	+\$0	0	0	0	0
964	bronzed walnut, low sheen <input type="checkbox"/>	+\$0	0	0	0	0
965	smoked walnut, low sheen <input type="checkbox"/>	+\$0	0	0	0	0

966	coffee walnut, low sheen <input type="checkbox"/>	+\$0	0	0	0	0
967	smoked paldao, low sheen <input type="checkbox"/>	+\$1164	1264	1427	1365	1465
969	warm paldao, low sheen <input type="checkbox"/>	+\$1164	1264	1427	1365	1465
977	chocolate ash, low sheen <input type="checkbox"/>	+\$0	0	0	0	0
978	natural oak <input type="checkbox"/>	+\$0	0	0	0	0
981	champagne hickory (natural) <input type="checkbox"/>	+\$0	0	0	0	0
98R	recograin rosewood <input type="checkbox"/>	+\$0	0	0	0	0
991	champagne ash <input type="checkbox"/>	+\$0	0	0	0	0
998	ebony ash <input type="checkbox"/>	+\$0	0	0	0	0
99A	recograin frosty ash <input type="checkbox"/>	+\$0	0	0	0	0
99R	recograin rosewood <input type="checkbox"/>	+\$0	0	0	0	0
99T	recograin teak <input type="checkbox"/>	+\$0	0	0	0	0
9A1	white ash, quarter cut, low sheen <input type="checkbox"/>	+\$0	0	0	0	0
9K1	rift oak, rift cut, low sheen <input type="checkbox"/>	+\$0	0	0	0	0
9K6	burnt oak, rift cut, low sheen <input type="checkbox"/>	+\$0	0	0	0	0
ED	aged cherry <input type="checkbox"/>	+\$0	0	0	0	0
EK	medium red walnut <input type="checkbox"/>	+\$0	0	0	0	0
G2U	light brown walnut, low sheen <input type="checkbox"/>	+\$0	0	0	0	0
G40	dark brown walnut, low sheen <input type="checkbox"/>	+\$0	0	0	0	0
UX	walnut on cherry <input type="checkbox"/>	+\$0	0	0	0	0

Sled Base Credenza Three Units

Wide *continued*

HermanMiller Collection—Storage

Premium Veneer - Matte		-B2B2B2	-B2B2B4	-B2B3B4	-B2B4B4	-B4B4B4
662	toasted walnut, matte sheen A	+\$0	0	0	0	0
663	charred walnut, matte sheen A	+\$0	0	0	0	0
664	bronzed walnut, matte sheen A	+\$0	0	0	0	0
665	smoked walnut, matte sheen A	+\$0	0	0	0	0
666	coffee walnut, matte sheen A	+\$0	0	0	0	0
667	smoked paldao, quarter cut, matte sheen A	+\$1164	1264	1427	1365	1465
669	warm paldao, quarter cut, matte sheen A	+\$1164	1264	1427	1365	1465
66A	recograin frosty ash A	+\$0	0	0	0	0
677	chocolate ash, matte sheen A	+\$0	0	0	0	0
678	natural oak A	+\$0	0	0	0	0
68R	recograin rosewood A	+\$0	0	0	0	0
69A	recograin frosty ash A	+\$0	0	0	0	0
69R	recograin rosewood A	+\$0	0	0	0	0
69T	recograin teak A	+\$0	0	0	0	0
6A1	white ash A	+\$0	0	0	0	0
6K1	rift oak A	+\$0	0	0	0	0
6K6	burnt oak A	+\$0	0	0	0	0
ET	clear on ash A	+\$0	0	0	0	0
EU	oak on ash A	+\$0	0	0	0	0
EV	walnut on ash A	+\$0	0	0	0	0
GOU	natural walnut, flat cut, matte sheen A	+\$0	0	0	0	0

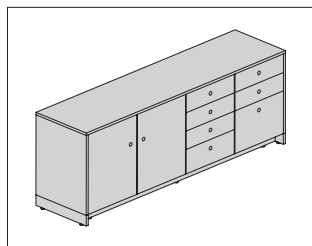
RecoGrain Veneer		-B2B2B2	-B2B2B4	-B2B3B4	-B2B4B4	-B4B4B4
66G	recograin wenge A	-\$388	-422	-476	-455	-489
68W	recograin walnut, flat cut, matte sheen A	-\$388	-422	-476	-455	-489
69G	recograin wenge A	-\$388	-422	-476	-455	-489
69K	recograin oak, quarter cut, matte sheen A	-\$388	-422	-476	-455	-489
69W	recograin walnut, quarter cut, matte sheen A	-\$388	-422	-476	-455	-489

Recon Veneer -		-B2B2B2	-B2B2B4	-B2B3B4	-B2B4B4	-B4B4B4
96G	wenge recograin, quarter cut, low sheen A	-\$388	-422	-476	-455	-489
98W	recograin walnut, flat cut, low sheen A	-\$388	-422	-476	-455	-489
99G	recograin wenge, quarter cut, low sheen A	-\$388	-422	-476	-455	-489
99K	recograin oak, quarter cut, low sheen A	-\$388	-422	-476	-455	-489
99W	recograin walnut, quarter cut, low sheen A	-\$388	-422	-476	-455	-489

Step 5. Metal Finish		
CHR	chrome A	+\$0
SAC	satin chrome A	+\$0

Sled Base Credenza Four Units Wide

JCS4-



Product Information

Description

This four-unit wide sled base credenza has a wood top and includes 3"-high metal base on the 3/4"-thick credenza gable. Storage unit is 18"-wide. Ward Bennett Flip pulls come in matching metal finish.

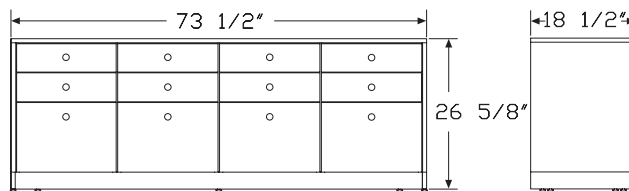
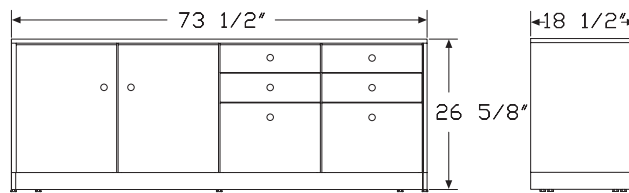
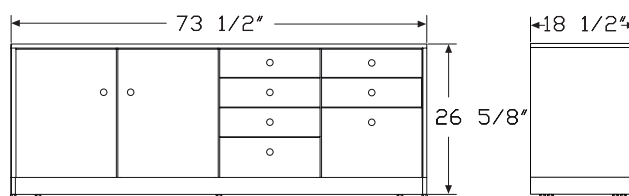
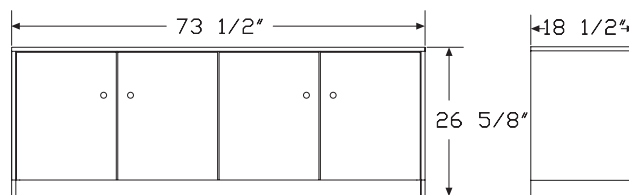
Notes

Sled base credenzas ship assembled.

Drawer credenzas include wood boxes and self-closing hidden drawer slides. Pencil tray and felt lining in bottom of drawer also included.

Santos palisander veneer is celebrated for its unique grain and color variations. Similar products ordered in multiples or dissimilar products ordered separately should be expected to have variation in both grain and color characteristics; no two products will look exactly alike.

Dimensions



Sled Base Credenza Four Units

Wide *continued*

Specification Information

Step 1.

JCS4

Step 2. Size

-1974 18¹/₂" deep x 73¹/₂" wide x 26⁵/₈" high

Step 3. Configuration

-B2B2B2B2 four single doors

-B2B2B3B4 single door left, single door left center, four drawers right center, BBF right

-B2B2B4B4 single door left, single door left center, BBF right center, BBF right

-B4B4B4B4 four BBF

Prices for Steps 1-3.

JCS4-1974	-B2B2B2B2	\$10034
	-B2B2B3B4	\$11815
	-B2B2B4B4	\$11394
	-B4B4B4B4	\$12753

Step 4. Wood Finish

Premium Veneer - Low Sheen

For four single doors (-B2B2B2B2)

931	champagne anigre (natural) <input type="checkbox"/>	+\$3961
932	sundance anigre <input type="checkbox"/>	+\$3961
933	caramel anigre <input type="checkbox"/>	+\$3961
934	henna anigre <input type="checkbox"/>	+\$3961
941	natural beech <input type="checkbox"/>	+\$0
942	sundance cherry (natural) <input type="checkbox"/>	+\$0
943	caramel cherry <input type="checkbox"/>	+\$0
946	cocoa cherry <input type="checkbox"/>	+\$0
951	natural anigre <input type="checkbox"/>	+\$3961
956	cocoa sapele <input type="checkbox"/>	+\$0
962	toasted walnut, low sheen <input type="checkbox"/>	+\$0
963	charred walnut, low sheen <input type="checkbox"/>	+\$0
964	bronzed walnut, low sheen <input type="checkbox"/>	+\$0
965	smoked walnut, low sheen <input type="checkbox"/>	+\$0
966	coffee walnut, low sheen <input type="checkbox"/>	+\$0
967	smoked paldao, low sheen <input type="checkbox"/>	+\$1486
969	warm paldao, low sheen <input type="checkbox"/>	+\$1486
977	chocolate ash, low sheen <input type="checkbox"/>	+\$0
978	natural oak <input type="checkbox"/>	+\$0
981	champagne hickory (natural) <input type="checkbox"/>	+\$0
98R	recograin rosewood <input type="checkbox"/>	+\$0
991	champagne ash <input type="checkbox"/>	+\$0
998	ebony ash <input type="checkbox"/>	+\$0
99A	recograin frosty ash <input type="checkbox"/>	+\$0
99R	recograin rosewood <input type="checkbox"/>	+\$0
99T	recograin teak <input type="checkbox"/>	+\$0
9A1	white ash, quarter cut, low sheen <input type="checkbox"/>	+\$0
9K1	rift oak, rift cut, low sheen <input type="checkbox"/>	+\$0
9K6	burnt oak, rift cut, low sheen <input type="checkbox"/>	+\$0
ED	aged cherry <input type="checkbox"/>	+\$0
EK	medium red walnut <input type="checkbox"/>	+\$0
G2U	light brown walnut, low sheen <input type="checkbox"/>	+\$0
G40	dark brown walnut, low sheen <input type="checkbox"/>	+\$0
UX	walnut on cherry <input type="checkbox"/>	+\$0

Sled Base Credenza Four Units

Wide *continued*

Premium Veneer - Matte

For four single doors (-B2B2B2B2)

662	toasted walnut, matte sheen <input type="checkbox"/>	+\$0
663	charred walnut, matte sheen <input type="checkbox"/>	+\$0
664	bronzed walnut, matte sheen <input type="checkbox"/>	+\$0
665	smoked walnut, matte sheen <input type="checkbox"/>	+\$0
666	coffee walnut, matte sheen <input type="checkbox"/>	+\$0
667	smoked paldao, quarter cut, matte sheen <input type="checkbox"/>	+\$1486
669	warm paldao, quarter cut, matte sheen <input type="checkbox"/>	+\$1486
66A	recograin frosty ash <input type="checkbox"/>	+\$0
677	chocolate ash, matte sheen <input type="checkbox"/>	+\$0
678	natural oak <input type="checkbox"/>	+\$0
68R	recograin rosewood <input type="checkbox"/>	+\$0
69A	recograin frosty ash <input type="checkbox"/>	+\$0
69R	recograin rosewood <input type="checkbox"/>	+\$0
69T	recograin teak <input type="checkbox"/>	+\$0
6A1	white ash <input type="checkbox"/>	+\$0
6K1	rift oak <input type="checkbox"/>	+\$0
6K6	burnt oak <input type="checkbox"/>	+\$0
ET	clear on ash <input type="checkbox"/>	+\$0
EU	oak on ash <input type="checkbox"/>	+\$0
EV	walnut on ash <input type="checkbox"/>	+\$0
GOU	natural walnut, flat cut, matte sheen <input type="checkbox"/>	+\$0

RecoGrain Veneer

For four single doors (-B2B2B2B2)

66G	recograin wenge <input type="checkbox"/>	-\$496
68W	recograin walnut, flat cut, matte sheen <input type="checkbox"/>	-\$496
69G	recograin wenge <input type="checkbox"/>	-\$496
69K	recograin oak, quarter cut, matte sheen <input type="checkbox"/>	-\$496
69W	recograin walnut, quarter cut, matte sheen <input type="checkbox"/>	-\$496

Recon Veneer -

For four single doors (-B2B2B2B2)

96G	wenge recograin, quarter cut, low sheen <input type="checkbox"/>	-\$496
98W	recograin walnut, flat cut, low sheen <input type="checkbox"/>	-\$496
99G	recograin wenge, quarter cut, low sheen <input type="checkbox"/>	-\$496
99K	recograin oak, quarter cut, low sheen <input type="checkbox"/>	-\$496
99W	recograin walnut, quarter cut, low sheen <input type="checkbox"/>	-\$496

Premium Veneer - Low Sheen

For single door left, single door left center, four drawers right center, BBF right (-B2B2B3B4)

931	champagne anigre (natural) <input type="checkbox"/>	+\$4664
932	sundance anigre <input type="checkbox"/>	+\$4664
933	caramel anigre <input type="checkbox"/>	+\$4664
934	henna anigre <input type="checkbox"/>	+\$4664
941	natural beech <input type="checkbox"/>	+\$0
942	sundance cherry (natural) <input type="checkbox"/>	+\$0
943	caramel cherry <input type="checkbox"/>	+\$0
946	cocoa cherry <input type="checkbox"/>	+\$0
951	natural anigre <input type="checkbox"/>	+\$4664
956	cocoa sapele <input type="checkbox"/>	+\$0
962	toasted walnut, low sheen <input type="checkbox"/>	+\$0
963	charred walnut, low sheen <input type="checkbox"/>	+\$0
964	bronzed walnut, low sheen <input type="checkbox"/>	+\$0
965	smoked walnut, low sheen <input type="checkbox"/>	+\$0
966	coffee walnut, low sheen <input type="checkbox"/>	+\$0
967	smoked paldao, low sheen <input type="checkbox"/>	+\$1749
969	warm paldao, low sheen <input type="checkbox"/>	+\$1749
977	chocolate ash, low sheen <input type="checkbox"/>	+\$0
978	natural oak <input type="checkbox"/>	+\$0
981	champagne hickory (natural) <input type="checkbox"/>	+\$0
98R	recograin rosewood <input type="checkbox"/>	+\$0
991	champagne ash <input type="checkbox"/>	+\$0
998	ebony ash <input type="checkbox"/>	+\$0
99A	recograin frosty ash <input type="checkbox"/>	+\$0
99R	recograin rosewood <input type="checkbox"/>	+\$0
99T	recograin teak <input type="checkbox"/>	+\$0
9A1	white ash, quarter cut, low sheen <input type="checkbox"/>	+\$0
9K1	rift oak, rift cut, low sheen <input type="checkbox"/>	+\$0
9K6	burnt oak, rift cut, low sheen <input type="checkbox"/>	+\$0
ED	aged cherry <input type="checkbox"/>	+\$0
EK	medium red walnut <input type="checkbox"/>	+\$0
G2U	light brown walnut, low sheen <input type="checkbox"/>	+\$0
G40	dark brown walnut, low sheen <input type="checkbox"/>	+\$0
UX	walnut on cherry <input type="checkbox"/>	+\$0

Sled Base Credenza Four Units

Wide *continued*

Premium Veneer - Matte

For single door left, single door left center, four drawers right center, BBF right (-B2B2B3B4)

662	toasted walnut, matte sheen A	+\$0
663	charred walnut, matte sheen A	+\$0
664	bronzed walnut, matte sheen A	+\$0
665	smoked walnut, matte sheen A	+\$0
666	coffee walnut, matte sheen A	+\$0
667	smoked paldao, quarter cut, matte sheen A	+\$1749
669	warm paldao, quarter cut, matte sheen A	+\$1749
66A	recograin frosty ash A	+\$0
677	chocolate ash, matte sheen A	+\$0
678	natural oak A	+\$0
68R	recograin rosewood A	+\$0
69A	recograin frosty ash A	+\$0
69R	recograin rosewood A	+\$0
69T	recograin teak A	+\$0
6A1	white ash A	+\$0
6K1	rift oak A	+\$0
6K6	burnt oak A	+\$0
ET	clear on ash A	+\$0
EU	oak on ash A	+\$0
EV	walnut on ash A	+\$0
GOU	natural walnut, flat cut, matte sheen A	+\$0

RecoGrain Veneer

For single door left, single door left center, four drawers right center, BBF right (-B2B2B3B4)

66G	recograin wenge A	-\$583
68W	recograin walnut, flat cut, matte sheen A	-\$583
69G	recograin wenge A	-\$583
69K	recograin oak, quarter cut, matte sheen A	-\$583
69W	recograin walnut, quarter cut, matte sheen A	-\$583

Recon Veneer -

For single door left, single door left center, four drawers right center, BBF right (-B2B2B3B4)

96G	wenge recograin, quarter cut, low sheen A	-\$583
98W	recograin walnut, flat cut, low sheen A	-\$583
99G	recograin wenge, quarter cut, low sheen A	-\$583
99K	recograin oak, quarter cut, low sheen A	-\$583
99W	recograin walnut, quarter cut, low sheen A	-\$583

Premium Veneer - Low Sheen

For single door left, single door left center, BBF right center, BBF right (-B2B2B4B4)

931	champagne anigre (natural) A	+\$4498
932	sundance anigre A	+\$4498
933	caramel anigre A	+\$4498
934	henna anigre A	+\$4498
941	natural beech A	+\$0
942	sundance cherry (natural) A	+\$0
943	caramel cherry A	+\$0
946	cocoa cherry A	+\$0
951	natural anigre A	+\$4498
956	cocoa sapele A	+\$0
962	toasted walnut, low sheen A	+\$0
963	charred walnut, low sheen A	+\$0
964	bronzed walnut, low sheen A	+\$0
965	smoked walnut, low sheen A	+\$0
966	coffee walnut, low sheen A	+\$0
967	smoked paldao, low sheen A	+\$1687
969	warm paldao, low sheen A	+\$1687
977	chocolate ash, low sheen A	+\$0
978	natural oak A	+\$0
981	champagne hickory (natural) A	+\$0
98R	recograin rosewood A	+\$0
991	champagne ash A	+\$0
998	ebony ash A	+\$0
99A	recograin frosty ash A	+\$0
99R	recograin rosewood A	+\$0
99T	recograin teak A	+\$0
9A1	white ash, quarter cut, low sheen A	+\$0
9K1	rift oak, rift cut, low sheen A	+\$0
9K6	burnt oak, rift cut, low sheen A	+\$0
ED	aged cherry A	+\$0
EK	medium red walnut A	+\$0
G2U	light brown walnut, low sheen A	+\$0
G40	dark brown walnut, low sheen A	+\$0
UX	walnut on cherry A	+\$0

Sled Base Credenza Four Units

Wide *continued*

Premium Veneer - Matte

For single door left, single door left center, BBF right center, BBF right (-B2B2B4B4)

662	toasted walnut, matte sheen <input type="checkbox"/>	+\$0
663	charred walnut, matte sheen <input type="checkbox"/>	+\$0
664	bronzed walnut, matte sheen <input type="checkbox"/>	+\$0
665	smoked walnut, matte sheen <input type="checkbox"/>	+\$0
666	coffee walnut, matte sheen <input type="checkbox"/>	+\$0
667	smoked paldao, quarter cut, matte sheen <input type="checkbox"/>	+\$1687
669	warm paldao, quarter cut, matte sheen <input type="checkbox"/>	+\$0
66A	recograin frosty ash <input type="checkbox"/>	+\$0
677	chocolate ash, matte sheen <input type="checkbox"/>	+\$0
678	natural oak <input type="checkbox"/>	+\$0
68R	recograin rosewood <input type="checkbox"/>	+\$0
69A	recograin frosty ash <input type="checkbox"/>	+\$0
69R	recograin rosewood <input type="checkbox"/>	+\$0
69T	recograin teak <input type="checkbox"/>	+\$0
6A1	white ash <input type="checkbox"/>	+\$0
6K1	rift oak <input type="checkbox"/>	+\$0
6K6	burnt oak <input type="checkbox"/>	+\$0
ET	clear on ash <input type="checkbox"/>	+\$0
EU	oak on ash <input type="checkbox"/>	+\$0
EV	walnut on ash <input type="checkbox"/>	+\$0
GOU	natural walnut, flat cut, matte sheen <input type="checkbox"/>	+\$0

RecoGrain Veneer

For single door left, single door left center, BBF right center, BBF right (-B2B2B4B4)

66G	recograin wenge <input type="checkbox"/>	-\$563
68W	recograin walnut, flat cut, matte sheen <input type="checkbox"/>	-\$563
69G	recograin wenge <input type="checkbox"/>	-\$563
69K	recograin oak, quarter cut, matte sheen <input type="checkbox"/>	-\$563
69W	recograin walnut, quarter cut, matte sheen <input type="checkbox"/>	-\$563

Recon Veneer -

For single door left, single door left center, BBF right center, BBF right (-B2B2B4B4)

96G	wenge recograin, quarter cut, low sheen <input type="checkbox"/>	-\$563
98W	recograin walnut, flat cut, low sheen <input type="checkbox"/>	-\$563
99G	recograin wenge, quarter cut, low sheen <input type="checkbox"/>	-\$563
99K	recograin oak, quarter cut, low sheen <input type="checkbox"/>	-\$563
99W	recograin walnut, quarter cut, low sheen <input type="checkbox"/>	-\$563

Premium Veneer - Low Sheen

For four BBF (-B4B4B4B4)

931	champagne anigre (natural) <input type="checkbox"/>	+\$5034
932	sundance anigre <input type="checkbox"/>	+\$5034
933	caramel anigre <input type="checkbox"/>	+\$5034
934	henna anigre <input type="checkbox"/>	+\$5034
941	natural beech <input type="checkbox"/>	+\$0
942	sundance cherry (natural) <input type="checkbox"/>	+\$0
943	caramel cherry <input type="checkbox"/>	+\$0
946	cocoa cherry <input type="checkbox"/>	+\$0
951	natural anigre <input type="checkbox"/>	+\$5034
956	cocoa sapele <input type="checkbox"/>	+\$0
962	toasted walnut, low sheen <input type="checkbox"/>	+\$0
963	charred walnut, low sheen <input type="checkbox"/>	+\$0
964	bronzed walnut, low sheen <input type="checkbox"/>	+\$0
965	smoked walnut, low sheen <input type="checkbox"/>	+\$0
966	coffee walnut, low sheen <input type="checkbox"/>	+\$0
967	smoked paldao, low sheen <input type="checkbox"/>	+\$1888
969	warm paldao, low sheen <input type="checkbox"/>	+\$1888
977	chocolate ash, low sheen <input type="checkbox"/>	+\$0
978	natural oak <input type="checkbox"/>	+\$0
981	champagne hickory (natural) <input type="checkbox"/>	+\$0
98R	recograin rosewood <input type="checkbox"/>	+\$0
991	champagne ash <input type="checkbox"/>	+\$0
998	ebony ash <input type="checkbox"/>	+\$0
99A	recograin frosty ash <input type="checkbox"/>	+\$0
99R	recograin rosewood <input type="checkbox"/>	+\$0
99T	recograin teak <input type="checkbox"/>	+\$0
9A1	white ash, quarter cut, low sheen <input type="checkbox"/>	+\$0
9K1	rift oak, rift cut, low sheen <input type="checkbox"/>	+\$0
9K6	burnt oak, rift cut, low sheen <input type="checkbox"/>	+\$0
ED	aged cherry <input type="checkbox"/>	+\$0
EK	medium red walnut <input type="checkbox"/>	+\$0
G2U	light brown walnut, low sheen <input type="checkbox"/>	+\$0
G40	dark brown walnut, low sheen <input type="checkbox"/>	+\$0
UX	walnut on cherry <input type="checkbox"/>	+\$0

Sled Base Credenza Four Units

Wide *continued*

Premium Veneer - Matte

For four BBF (-B4B4B4B4)

662	toasted walnut, matte sheen <input type="checkbox"/>	+\$0
663	charred walnut, matte sheen <input type="checkbox"/>	+\$0
664	bronzed walnut, matte sheen <input type="checkbox"/>	+\$0
665	smoked walnut, matte sheen <input type="checkbox"/>	+\$0
666	coffee walnut, matte sheen <input type="checkbox"/>	+\$0
66A	recograin frosty ash <input type="checkbox"/>	+\$0
677	chocolate ash, matte sheen <input type="checkbox"/>	+\$0
678	natural oak <input type="checkbox"/>	+\$0
68R	recograin rosewood <input type="checkbox"/>	+\$0
69A	recograin frosty ash <input type="checkbox"/>	+\$0
69R	recograin rosewood <input type="checkbox"/>	+\$0
69T	recograin teak <input type="checkbox"/>	+\$0
6A1	white ash <input type="checkbox"/>	+\$0
6K1	rift oak <input type="checkbox"/>	+\$0
6K6	burnt oak <input type="checkbox"/>	+\$0
ET	clear on ash <input type="checkbox"/>	+\$0
EU	oak on ash <input type="checkbox"/>	+\$0
EV	walnut on ash <input type="checkbox"/>	+\$0
GOU	natural walnut, flat cut, matte sheen <input type="checkbox"/>	+\$0

RecoGrain Veneer

For four BBF (-B4B4B4B4)

66G	recograin wenge <input type="checkbox"/>	-\$630
68W	recograin walnut, flat cut, matte sheen <input type="checkbox"/>	-\$630
69G	recograin wenge <input type="checkbox"/>	-\$630
69K	recograin oak, quarter cut, matte sheen <input type="checkbox"/>	-\$630
69W	recograin walnut, quarter cut, matte sheen <input type="checkbox"/>	-\$630

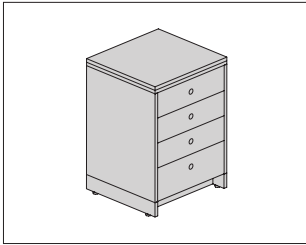
Recon Veneer -

For four BBF (-B4B4B4B4)

96G	wenge recograin, quarter cut, low sheen <input type="checkbox"/>	-\$630
98W	recograin walnut, flat cut, low sheen <input type="checkbox"/>	-\$630
99G	recograin wenge, quarter cut, low sheen <input type="checkbox"/>	-\$630
99K	recograin oak, quarter cut, low sheen <input type="checkbox"/>	-\$630
99W	recograin walnut, quarter cut, low sheen <input type="checkbox"/>	-\$630

Step 5. Metal Finish

CHR	chrome <input type="checkbox"/>	+\$0
SAC	satin chrome <input type="checkbox"/>	+\$0



Product Information

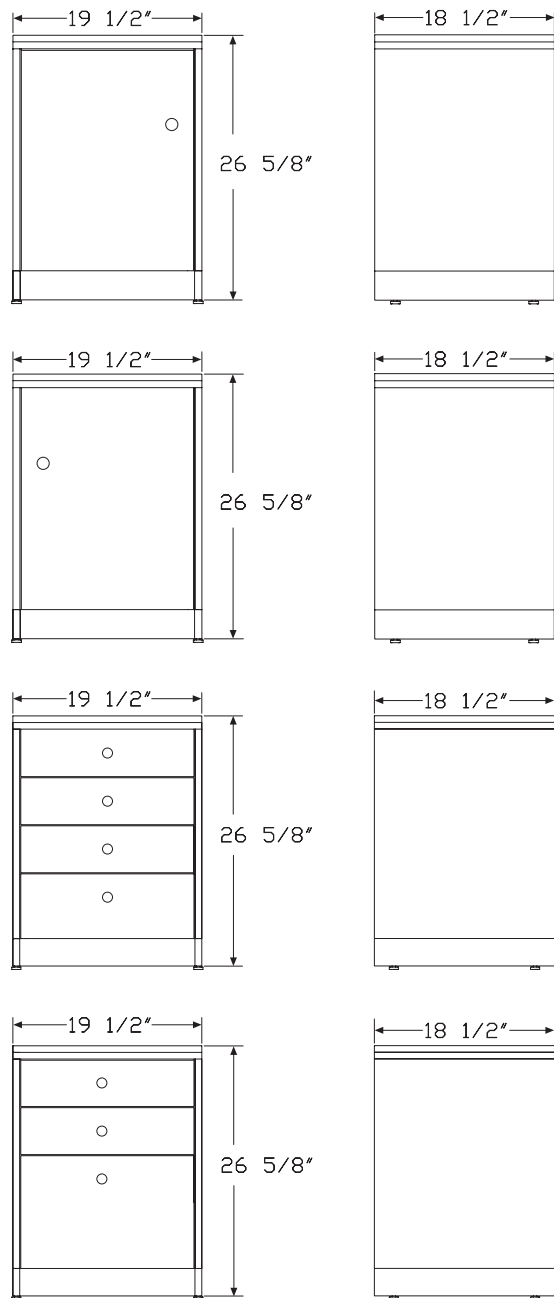
Description

This one-unit wide sled base credenza has a stone top and includes 3"-high metal base on the 3/4"-thick credenza gable. Storage unit is 18"-wide. Ward Bennett Flip pulls come in matching metal finish.

Notes

Sled base credenzas ship assembled.
 Drawer credenzas include wood boxes and self-closing hidden drawer slides. Pencil tray and felt lining in bottom of drawer also included.
 Santos palisander veneer is celebrated for its unique grain and color variations. Similar products ordered in multiples or dissimilar products ordered separately should be expected to have variation in both grain and color characteristics; no two products will look exactly alike.

Dimensions



Sled Base Pedestal Stone Top

continued

Specification Information

Step 1.

JCS1S A

Step 2. Size

-1920 18¹/₂" deep x 19¹/₂" wide x 26⁵/₈" high A

Step 3. Configuration

-B2L single door, hinged left A

-B2R single door, hinged right A

-B3 four box drawer A

-B4 box, box, file A

Prices for Steps 1-3.

		-B2L	-B2R	-B3	-B4
JCS1S	-1920	\$4596	4596	5697	5276

Step 4. Wood Finish

Premium Veneer - Low Sheen

		-B2L	-B2R	-B3	-B4
931	champagne anigre (natural) A	+\$1814	1814	2249	2083
932	sundance anigre A	+\$1814	1814	2249	2083
933	caramel anigre A	+\$1814	1814	2249	2083
934	henna anigre A	+\$1814	1814	2249	2083
941	natural beech A	+\$0	0	0	0
942	sundance cherry (natural) A	+\$0	0	0	0
943	caramel cherry A	+\$0	0	0	0
946	cocoa cherry A	+\$0	0	0	0
951	natural anigre A	+\$1814	1814	2249	2083
956	cocoa sapele A	+\$0	0	0	0
962	toasted walnut, low sheen A	+\$0	0	0	0
963	charred walnut, low sheen A	+\$0	0	0	0
964	bronzed walnut, low sheen A	+\$0	0	0	0
965	smoked walnut, low sheen A	+\$0	0	0	0
966	coffee walnut, low sheen A	+\$0	0	0	0
967	smoked paldao, low sheen A	+\$681	681	844	781
969	warm paldao, low sheen A	+\$681	681	844	781
977	chocolate ash, low sheen A	+\$0	0	0	0
978	natural oak A	+\$0	0	0	0

981	champagne hickory (natural) A	+\$0	0	0	0
98R	recograin rosewood A	+\$0	0	0	0
991	champagne ash A	+\$0	0	0	0
998	ebony ash A	+\$0	0	0	0
99A	recograin frosty ash A	+\$0	0	0	0
99R	recograin rosewood A	+\$0	0	0	0
99T	recograin teak A	+\$0	0	0	0
9A1	white ash, quarter cut, low sheen A	+\$0	0	0	0
9K1	rift oak, rift cut, low sheen A	+\$0	0	0	0
9K6	burnt oak, rift cut, low sheen A	+\$0	0	0	0
ED	aged cherry A	+\$0	0	0	0
EK	medium red walnut A	+\$0	0	0	0
G2U	light brown walnut, low sheen A	+\$0	0	0	0
G40	dark brown walnut, low sheen A	+\$0	0	0	0
UX	walnut on cherry A	+\$0	0	0	0

Sled Base Pedestal Stone Top

continued

Premium Veneer - Matte		-B2L	-B2R	-B3	-B4
662	toasted walnut, matte sheen <input type="checkbox"/>	+\$0	0	0	0
663	charred walnut, matte sheen <input type="checkbox"/>	+\$0	0	0	0
664	bronzed walnut, matte sheen <input type="checkbox"/>	+\$0	0	0	0
665	smoked walnut, matte sheen <input type="checkbox"/>	+\$0	0	0	0
666	coffee walnut, matte sheen <input type="checkbox"/>	+\$0	0	0	0
667	smoked paldao, quarter cut, matte sheen <input type="checkbox"/>	+\$681	681	844	781
669	warm paldao, quarter cut, matte sheen <input type="checkbox"/>	+\$681	681	844	781
66A	recograin frosty ash <input type="checkbox"/>	+\$0	0	0	0
677	chocolate ash, matte sheen <input type="checkbox"/>	+\$0	0	0	0
678	natural oak <input type="checkbox"/>	+\$0	0	0	0
68R	recograin rosewood <input type="checkbox"/>	+\$0	0	0	0
69A	recograin frosty ash <input type="checkbox"/>	+\$0	0	0	0
69R	recograin rosewood <input type="checkbox"/>	+\$0	0	0	0
69T	recograin teak <input type="checkbox"/>	+\$0	0	0	0
6A1	white ash <input type="checkbox"/>	+\$0	0	0	0
6K1	rift oak <input type="checkbox"/>	+\$0	0	0	0
6K6	burnt oak <input type="checkbox"/>	+\$0	0	0	0
ET	clear on ash <input type="checkbox"/>	+\$0	0	0	0
EU	oak on ash <input type="checkbox"/>	+\$0	0	0	0
EV	walnut on ash <input type="checkbox"/>	+\$0	0	0	0
GOU	natural walnut, flat cut, matte sheen <input type="checkbox"/>	+\$0	0	0	0

RecoGrain Veneer		-B2L	-B2R	-B3	-B4
66G	recograin wenge <input type="checkbox"/>	-\$227	-227	-282	-261
68W	recograin walnut, flat cut, matte sheen <input type="checkbox"/>	-\$227	-227	-282	-261
69G	recograin wenge <input type="checkbox"/>	-\$227	-227	-282	-261
69K	recograin oak, quarter cut, matte sheen <input type="checkbox"/>	-\$227	-227	-282	-261
69W	recograin walnut, quarter cut, matte sheen <input type="checkbox"/>	-\$227	-227	-282	-261

Recon Veneer -		-B2L	-B2R	-B3	-B4
96G	wenge recograin, quarter cut, low sheen <input type="checkbox"/>	-\$227	-227	-181	-261
98W	recograin walnut, flat cut, low sheen <input type="checkbox"/>	-\$227	-227	-181	-261
99G	recograin wenge, quarter cut, low sheen <input type="checkbox"/>	-\$227	-227	-181	-261
99K	recograin oak, quarter cut, low sheen <input type="checkbox"/>	-\$227	-227	-181	-261
99W	recograin walnut, quarter cut, low sheen <input type="checkbox"/>	-\$227	-227	-181	-261

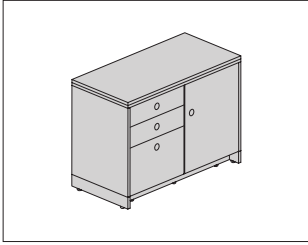
Step 5. Stone or Marble Top			
200	perfato marble <input type="checkbox"/>		+\$0
250	verde antique marble <input type="checkbox"/>		+\$0
400	black granite <input type="checkbox"/>		+\$0
5U	georgia grey marble <input type="checkbox"/>		+\$0
800	autumn brown granite <input type="checkbox"/>		+\$0
960	white carrara marble <input type="checkbox"/>		+\$0
HR	wisconsin black marble <input type="checkbox"/>		+\$0

Step 6. Metal Finish			
CHR	chrome <input type="checkbox"/>		+\$0
SAC	satin chrome <input type="checkbox"/>		+\$0

HermanMiller Collection - Storage

Sled Base Credenza Two Units
Wide and Stone Top

JCS2S



HermanMiller Collection—Storage

Product Information

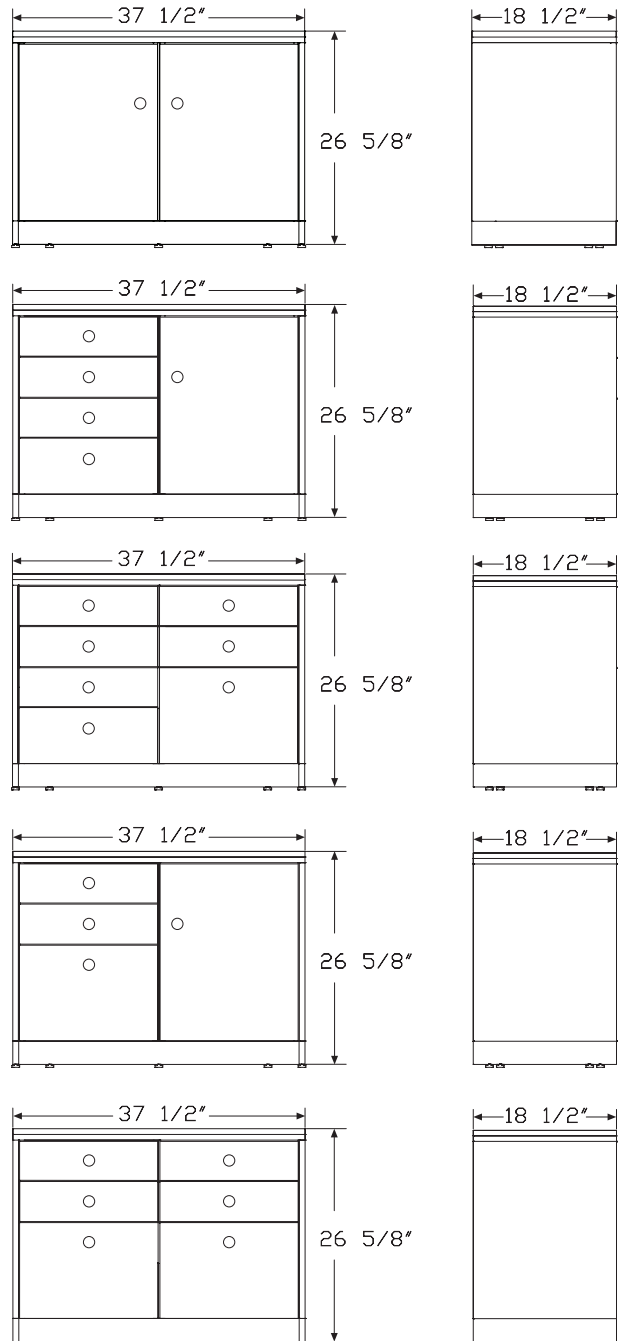
Description

This two-unit wide sled base credenza has a stone top and includes 3"-high metal base on the 3/4"-thick credenza gable. Storage unit is 18"-wide. Ward Bennett Flip pulls come in matching metal finish.

Notes

Sled base credenzas ship assembled.
 Drawer credenzas include wood boxes and self-closing hidden drawer slides. Pencil tray and felt lining in bottom of drawer also included.
 Santos palisander veneer is celebrated for its unique grain and color variations. Similar products ordered in multiples or dissimilar products ordered separately should be expected to have variation in both grain and color characteristics; no two products will look exactly alike.

Dimensions



Sled Base Credenza Two Units

Wide and Stone Top *continued*

Specification Information						
Step 1.						
JCS2S <input type="checkbox"/>						
Step 2. Size						
-1938 18 ¹ / ₂ " deep x 37 ¹ / ₂ " wide x 26 ⁵ / ₈ " high <input type="checkbox"/>						
Step 3. Configuration						
-B2B2 two doors <input type="checkbox"/>						
-B3B2 four drawers left, single door right <input type="checkbox"/>						
-B3B4 four drawers left, BBF right <input type="checkbox"/>						
-B4B2 BBF left, single door right <input type="checkbox"/>						
-B4B4 BBF left, BBF right <input type="checkbox"/>						
Prices for Steps 1-3.						
		-B2B2	-B3B2	-B3B4	-B4B2	-B4B4
JCS2S	-1938	\$7789	8891	9571	8469	9154
Step 4. Wood Finish						
Premium Veneer - Low Sheen						
		-B2B2	-B3B2	-B3B4	-B4B2	-B4B4
931	champagne anigre (natural) <input type="checkbox"/>	+\$3075	3510	3778	3343	3614
932	sundance anigre <input type="checkbox"/>	+\$3075	3510	3778	3343	3614
933	caramel anigre <input type="checkbox"/>	+\$3075	3510	3778	3343	3614
934	henna anigre <input type="checkbox"/>	+\$3075	3510	3778	3343	3614
941	natural beech <input type="checkbox"/>	+\$0	0	0	0	0
942	sundance cherry (natural) <input type="checkbox"/>	+\$0	0	0	0	0
943	caramel cherry <input type="checkbox"/>	+\$0	0	0	0	0
946	cocoa cherry <input type="checkbox"/>	+\$0	0	0	0	0
951	natural anigre <input type="checkbox"/>	+\$3075	3510	3778	3343	3614
956	cocoa sapele <input type="checkbox"/>	+\$0	0	0	0	0
962	toasted walnut, low sheen <input type="checkbox"/>	+\$0	0	0	0	0
963	charred walnut, low sheen <input type="checkbox"/>	+\$0	0	0	0	0
964	bronzed walnut, low sheen <input type="checkbox"/>	+\$0	0	0	0	0
965	smoked walnut, low sheen <input type="checkbox"/>	+\$0	0	0	0	0
966	coffee walnut, low sheen <input type="checkbox"/>	+\$0	0	0	0	0
967	smoked paldao, low sheen <input type="checkbox"/>	+\$1153	1316	1417	1254	1355

969	warm paldao, low sheen <input type="checkbox"/>	+\$1153	1316	1417	1254	1355
977	chocolate ash, low sheen <input type="checkbox"/>	+\$0	0	0	0	0
978	natural oak <input type="checkbox"/>	+\$0	0	0	0	0
981	champagne hickory (natural) <input type="checkbox"/>	+\$0	0	0	0	0
98R	recograin rosewood <input type="checkbox"/>	+\$0	0	0	0	0
991	champagne ash <input type="checkbox"/>	+\$0	0	0	0	0
998	ebony ash <input type="checkbox"/>	+\$0	0	0	0	0
99A	recograin frosty ash <input type="checkbox"/>	+\$0	0	0	0	0
99R	recograin rosewood <input type="checkbox"/>	+\$0	0	0	0	0
99T	recograin teak <input type="checkbox"/>	+\$0	0	0	0	0
9A1	white ash, quarter cut, low sheen <input type="checkbox"/>	+\$0	0	0	0	0
9K1	rift oak, rift cut, low sheen <input type="checkbox"/>	+\$0	0	0	0	0
9K6	burnt oak, rift cut, low sheen <input type="checkbox"/>	+\$0	0	0	0	0
ED	aged cherry <input type="checkbox"/>	+\$0	0	0	0	0
EK	medium red walnut <input type="checkbox"/>	+\$0	0	0	0	0
G2U	light brown walnut, low sheen <input type="checkbox"/>	+\$0	0	0	0	0
G40	dark brown walnut, low sheen <input type="checkbox"/>	+\$0	0	0	0	0
UX	walnut on cherry <input type="checkbox"/>	+\$0	0	0	0	0

Sled Base Credenza Two Units Wide and Stone Top *continued*

HermanMiller Collection—Storage

Premium Veneer - Matte		-B2B2	-B3B2	-B3B4	-B4B2	-B4B4
662	toasted walnut, matte sheen A	+\$0	0	0	0	0
663	charred walnut, matte sheen A	+\$0	0	0	0	0
664	bronzed walnut, matte sheen A	+\$0	0	0	0	0
665	smoked walnut, matte sheen A	+\$0	0	0	0	0
666	coffee walnut, matte sheen A	+\$0	0	0	0	0
667	smoked paldao, quarter cut, matte sheen A	+\$1153	1316	1417	1254	1355
669	warm paldao, quarter cut, matte sheen A	+\$1153	1316	1417	1254	1355
66A	recograin frosty ash A	+\$0	0	0	0	0
677	chocolate ash, matte sheen A	+\$0	0	0	0	0
678	natural oak A	+\$0	0	0	0	0
68R	recograin rosewood A	+\$0	0	0	0	0
69A	recograin frosty ash A	+\$0	0	0	0	0
69R	recograin rosewood A	+\$0	0	0	0	0
69T	recograin teak A	+\$0	0	0	0	0
6A1	white ash A	+\$0	0	0	0	0
6K1	rift oak A	+\$0	0	0	0	0
6K6	burnt oak A	+\$0	0	0	0	0
ET	clear on ash A	+\$0	0	0	0	0
EU	oak on ash A	+\$0	0	0	0	0
EV	walnut on ash A	+\$0	0	0	0	0
GOU	natural walnut, flat cut, matte sheen A	+\$0	0	0	0	0

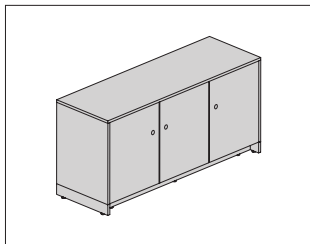
RecoGrain Veneer		-B2B2	-B3B2	-B3B4	-B4B2	-B4B4
66G	recograin wenge A	-\$385	-439	-473	-418	-452
68W	recograin walnut, flat cut, matte sheen A	-\$385	-439	-473	-418	-452
69G	recograin wenge A	-\$385	-439	-473	-418	-452
69K	recograin oak, quarter cut, matte sheen A	-\$385	-439	-473	-418	-452
69W	recograin walnut, quarter cut, matte sheen A	-\$385	-439	-473	-418	-452

Recon Veneer -		-B2B2	-B3B2	-B3B4	-B4B2	-B4B4
96G	wenge recograin, quarter cut, low sheen A	-\$385	-439	-473	-418	-452
98W	recograin walnut, flat cut, low sheen A	-\$385	-439	-473	-418	-452
99G	recograin wenge, quarter cut, low sheen A	-\$385	-439	-473	-418	-452
99K	recograin oak, quarter cut, low sheen A	-\$385	-439	-473	-418	-452
99W	recograin walnut, quarter cut, low sheen A	-\$385	-439	-473	-418	-452

Step 5. Stone or Marble Top		
200	perfato marble A	+\$0
250	verde antique marble A	+\$0
400	black granite A	+\$0
5U	georgia grey marble A	+\$0
800	autumn brown granite A	+\$0
960	white carrara marble A	+\$0
HR	wisconsin black marble A	+\$0

Step 6. Metal Finish		
CHR	chrome A	+\$0
SAC	satin chrome A	+\$0

Sled Base Credenza Three Units JCS3S
Wide and Stone Top



Product Information

Description

This three-unit wide sled base credenza has a stone top and includes 3"-high metal base on the 3/4"-thick credenza gable. Storage unit is 18"-wide. Ward Bennett Flip pulls come in matching metal finish.

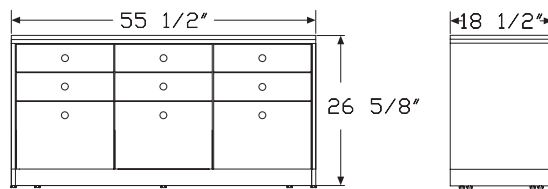
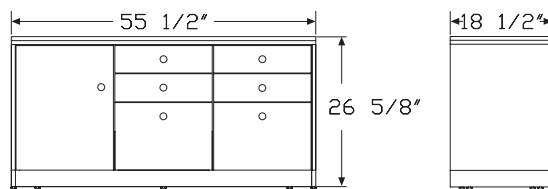
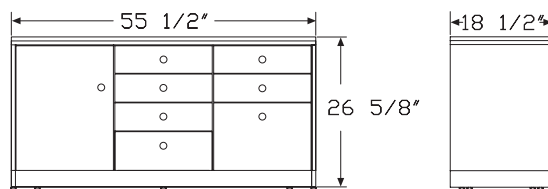
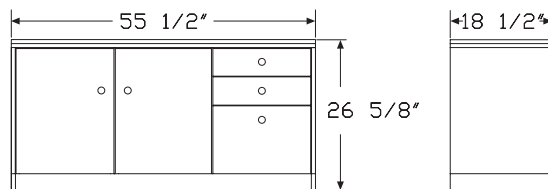
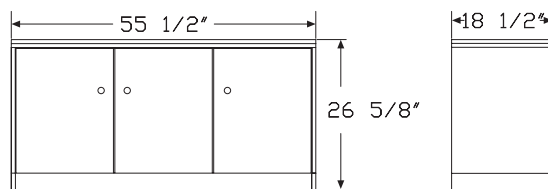
Notes

Sled base credenzas ship assembled.

Drawer credenzas include wood boxes and self-closing hidden drawer slides. Pencil tray and felt lining in bottom of drawer also included.

Santos palisander veneer is celebrated for its unique grain and color variations. Similar products ordered in multiples or dissimilar products ordered separately should be expected to have variation in both grain and color characteristics; no two products will look exactly alike.

Dimensions



Sled Base Credenza Three Units

Wide and Stone Top *continued*

Specification Information						
Step 1.						
JCS3S A						
Step 2. Size						
-1956	18 ¹ / ₂ " deep x 55 ¹ / ₂ " wide x 26 ⁵ / ₈ " high A					
Step 3. Configuration						
-B2B2B2	three single doors A					
-B2B2B4	single door left, single door center, BBF right A					
-B2B3B4	single door left, 4 box center, BBF right A					
-B2B4B4	single door left, BBF center, BBF right A					
-B4B4B4	BBF left, BBF center, BBF right A					
Prices for Steps 1-3.						
	-B2B2B2	-B2B2B4	-B2B3B4	-B2B4B4	-B4B4B4	
JCS3S -1956	\$10508	11188	12290	11868	12548	
Step 4. Wood Finish						
Premium Veneer - Low Sheen						
	-B2B2B2	-B2B2B4	-B2B3B4	-B2B4B4	-B4B4B4	
931	champagne anigre (natural) A	+\$4148	4416	4851	4685	4953
932	sundance anigre A	+\$4148	4416	4851	4685	4953
933	caramel anigre A	+\$4148	4416	4851	4685	4953
934	henna anigre A	+\$4148	4416	4851	4685	4953
941	natural beech A	+\$0	0	0	0	0
942	sundance cherry (natural) A	+\$0	0	0	0	0
943	caramel cherry A	+\$0	0	0	0	0
946	cocoa cherry A	+\$0	0	0	0	0
951	natural anigre A	+\$4148	4416	4851	4685	4953
956	cocoa sapele A	+\$0	0	0	0	0
962	toasted walnut, low sheen A	+\$0	0	0	0	0
963	charred walnut, low sheen A	+\$0	0	0	0	0
964	bronzed walnut, low sheen A	+\$0	0	0	0	0
965	smoked walnut, low sheen A	+\$0	0	0	0	0
966	coffee walnut, low sheen A	+\$0	0	0	0	0
967	smoked paldao, low sheen A	+\$1556	1656	1820	1757	1858

969	warm paldao, low sheen A	+\$1556	1656	1820	1757	1858
977	chocolate ash, low sheen A	+\$0	0	0	0	0
978	natural oak A	+\$0	0	0	0	0
981	champagne hickory (natural) A	+\$0	0	0	0	0
98R	recograin rosewood A	+\$0	0	0	0	0
991	champagne ash A	+\$0	0	0	0	0
998	ebony ash A	+\$0	0	0	0	0
99A	recograin frosty ash A	+\$0	0	0	0	0
99R	recograin rosewood A	+\$0	0	0	0	0
99T	recograin teak A	+\$0	0	0	0	0
9A1	white ash, quarter cut, low sheen A	+\$0	0	0	0	0
9K1	rift oak, rift cut, low sheen A	+\$0	0	0	0	0
9K6	burnt oak, rift cut, low sheen A	+\$0	0	0	0	0
ED	aged cherry A	+\$0	0	0	0	0
EK	medium red walnut A	+\$0	0	0	0	0
G2U	light brown walnut, low sheen A	+\$0	0	0	0	0
G40	dark brown walnut, low sheen A	+\$0	0	0	0	0
UX	walnut on cherry A	+\$0	0	0	0	0

Sled Base Credenza Three Units Wide and Stone Top *continued*

Premium Veneer - Matte

		-B2B2B2	-B2B2B4	-B2B3B4	-B2B4B4	-B4B4B4
662	toasted walnut, matte sheen A	+\$0	0	0	0	0
663	charred walnut, matte sheen A	+\$0	0	0	0	0
664	bronzed walnut, matte sheen A	+\$0	0	0	0	0
665	smoked walnut, matte sheen A	+\$0	0	0	0	0
666	coffee walnut, matte sheen A	+\$0	0	0	0	0
667	smoked paldao, quarter cut, matte sheen A	+\$1556	1656	1820	1757	1858
669	warm paldao, quarter cut, matte sheen A	+\$1556	1656	1820	1757	1858
66A	recograin frosty ash A	+\$0	0	0	0	0
677	chocolate ash, matte sheen A	+\$0	0	0	0	0
678	natural oak A	+\$0	0	0	0	0
68R	recograin rosewood A	+\$0	0	0	0	0
69A	recograin frosty ash A	+\$0	0	0	0	0
69R	recograin rosewood A	+\$0	0	0	0	0
69T	recograin teak A	+\$0	0	0	0	0
6A1	white ash A	+\$0	0	0	0	0
6K1	rift oak A	+\$0	0	0	0	0
6K6	burnt oak A	+\$0	0	0	0	0
ET	clear on ash A	+\$0	0	0	0	0
EU	oak on ash A	+\$0	0	0	0	0
EV	walnut on ash A	+\$0	0	0	0	0
GOU	natural walnut, flat cut, matte sheen A	+\$0	0	0	0	0

RecoGrain Veneer

		-B2B2B2	-B2B2B4	-B2B3B4	-B2B4B4	-B4B4B4
66G	recograin wenge A	-\$519	-552	-607	-586	-620
68W	recograin walnut, flat cut, matte sheen A	-\$519	-552	-607	-586	-620
69G	recograin wenge A	-\$519	-552	-607	-586	-620
69K	recograin oak, quarter cut, matte sheen A	-\$519	-552	-607	-586	-620
69W	recograin walnut, quarter cut, matte sheen A	-\$519	-552	-607	-586	-620

Recon Veneer -

		-B2B2B2	-B2B2B4	-B2B3B4	-B2B4B4	-B4B4B4
96G	wenge recograin, quarter cut, low sheen A	-\$519	-552	-607	-586	-620
98W	recograin walnut, flat cut, low sheen A	-\$519	-552	-607	-586	-620
99G	recograin wenge, quarter cut, low sheen A	-\$519	-552	-607	-586	-620
99K	recograin oak, quarter cut, low sheen A	-\$519	-552	-607	-586	-620
99W	recograin walnut, quarter cut, low sheen A	-\$519	-552	-607	-586	-620

Step 5. Stone or Marble Top

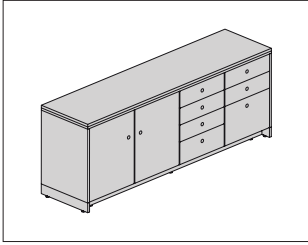
200	perfato marble A	+\$0
250	verde antique marble A	+\$0
400	black granite A	+\$0
5U	georgia grey marble A	+\$0
800	autumn brown granite A	+\$0
960	white carrara marble A	+\$0
HR	wisconsin black marble A	+\$0

Step 6. Metal Finish

CHR	chrome A	+\$0
SAC	satin chrome A	+\$0

Sled Base Credenza Four Units
Wide and Stone Top

JCS4S



HermanMiller Collection—Storage

Product Information

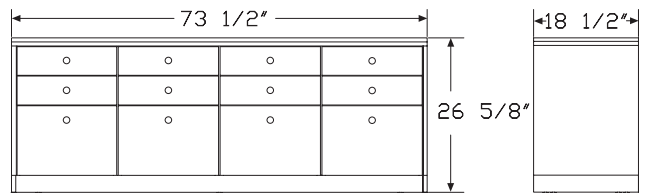
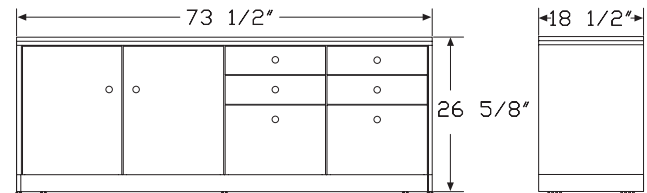
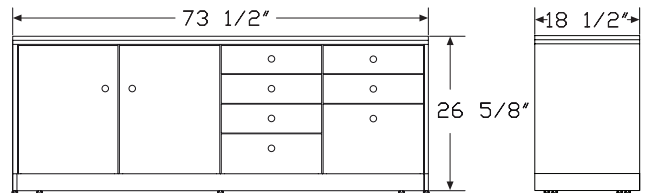
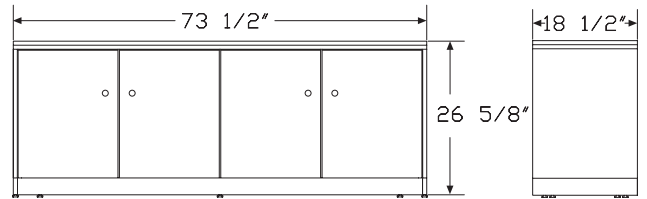
Description

This four-unit wide sled base credenza has a stone top and includes 3"-high metal base on the 3/4"-thick credenza gable. Storage unit is 18"-wide. Ward Bennett Flip pulls come in matching metal finish.

Notes

Sled base credenzas ship assembled.
 Drawer credenzas include wood boxes and self-closing hidden drawer slides. Pencil tray and felt lining in bottom of drawer also included.
 Santos palisander veneer is celebrated for its unique grain and color variations. Similar products ordered in multiples or dissimilar products ordered separately should be expected to have variation in both grain and color characteristics; no two products will look exactly alike.

Dimensions



Sled Base Credenza Four Units

Wide and Stone Top *continued*

Specification Information

Step 1.

JCS4S

Step 2. Size

-1974 18¹/₂" deep x 73¹/₂" wide x 26⁵/₈" high

Step 3. Configuration

-B2B2B2B2 four single doors

-B2B2B3B4 single door left, single door left center, four drawers right center, BBF right

-B2B2B4B4 single door left, single door left center, BBF right center, BBF right

-B4B4B4B4 four BBF

Prices for Steps 1-3.

	-B2B2B2B2	-B2B2B3B4	-B2B2B4B4	-B4B4B4B4
JCS4S -1974	\$13749	15525	15104	16463

Step 4. Wood Finish

Premium Veneer - Low Sheen

	-B2B2B2B2	-B2B2B3B4	-B2B2B4B4	-B4B4B4B4
931 champagne anigre (natural) <input type="checkbox"/>	+\$5427	6128	5962	6498
932 sundance anigre <input type="checkbox"/>	+\$5427	6128	5962	6498
933 caramel anigre <input type="checkbox"/>	+\$5427	6128	5962	6498
934 henna anigre <input type="checkbox"/>	+\$5427	6128	5962	6498
941 natural beech <input type="checkbox"/>	+\$0	0	0	0
942 sundance cherry (natural) <input type="checkbox"/>	+\$0	0	0	0
943 caramel cherry <input type="checkbox"/>	+\$0	0	0	0
946 cocoa cherry <input type="checkbox"/>	+\$0	0	0	0
951 natural anigre <input type="checkbox"/>	+\$5427	6128	5962	6498
956 cocoa sapele <input type="checkbox"/>	+\$0	0	0	0
962 toasted walnut, low sheen <input type="checkbox"/>	+\$0	0	0	0
963 charred walnut, low sheen <input type="checkbox"/>	+\$0	0	0	0
964 bronzed walnut, low sheen <input type="checkbox"/>	+\$0	0	0	0
965 smoked walnut, low sheen <input type="checkbox"/>	+\$0	0	0	0
966 coffee walnut, low sheen <input type="checkbox"/>	+\$0	0	0	0
967 smoked paldao, low sheen <input type="checkbox"/>	+\$2036	2298	2236	2437
969 warm paldao, low sheen <input type="checkbox"/>	+\$2036	2298	2236	2437

977 chocolate ash, low sheen <input type="checkbox"/>	+\$0	0	0	0
978 natural oak <input type="checkbox"/>	+\$0	0	0	0
981 champagne hickory (natural) <input type="checkbox"/>	+\$0	0	0	0
98R recograin rosewood <input type="checkbox"/>	+\$0	0	0	0
991 champagne ash <input type="checkbox"/>	+\$0	0	0	0
998 ebony ash <input type="checkbox"/>	+\$0	0	0	0
99A recograin frosty ash <input type="checkbox"/>	+\$0	0	0	0
99R recograin rosewood <input type="checkbox"/>	+\$0	0	0	0
99T recograin teak <input type="checkbox"/>	+\$0	0	0	0
9A1 white ash, quarter cut, low sheen <input type="checkbox"/>	+\$0	0	0	0
9K1 rift oak, rift cut, low sheen <input type="checkbox"/>	+\$0	0	0	0
9K6 burnt oak, rift cut, low sheen <input type="checkbox"/>	+\$0	0	0	0
ED aged cherry <input type="checkbox"/>	+\$0	0	0	0
EK medium red walnut <input type="checkbox"/>	+\$0	0	0	0
G2U light brown walnut, low sheen <input type="checkbox"/>	+\$0	0	0	0
G40 dark brown walnut, low sheen <input type="checkbox"/>	+\$0	0	0	0
UX walnut on cherry <input type="checkbox"/>	+\$0	0	0	0

Sled Base Credenza Four Units

Wide and Stone Top *continued*

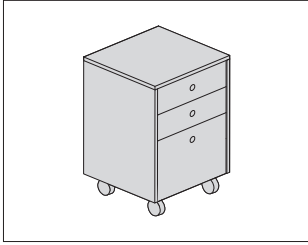
Premium Veneer - Matte		-B2B2B2B2	-B2B2B3B4	-B2B2B4B4	-B4B4B4B4
662	toasted walnut, matte sheen A	+\$0	0	0	0
663	charred walnut, matte sheen A	+\$0	0	0	0
664	bronzed walnut, matte sheen A	+\$0	0	0	0
665	smoked walnut, matte sheen A	+\$0	0	0	0
666	coffee walnut, matte sheen A	+\$0	0	0	0
667	smoked paldao, quarter cut, matte sheen A	+\$2036	2298	2236	2437
669	warm paldao, quarter cut, matte sheen A	+\$2036	2298	2236	2437
66A	recograin frosty ash A	+\$0	0	0	0
677	chocolate ash, matte sheen A	+\$0	0	0	0
678	natural oak A	+\$0	0	0	0
68R	recograin rosewood A	+\$0	0	0	0
69A	recograin frosty ash A	+\$0	0	0	0
69R	recograin rosewood A	+\$0	0	0	0
69T	recograin teak A	+\$0	0	0	0
6A1	white ash A	+\$0	0	0	0
6K1	rift oak A	+\$0	0	0	0
6K6	burnt oak A	+\$0	0	0	0
ET	clear on ash A	+\$0	0	0	0
EU	oak on ash A	+\$0	0	0	0
EV	walnut on ash A	+\$0	0	0	0
GOU	natural walnut, flat cut, matte sheen A	+\$0	0	0	0

RecoGrain Veneer		-B2B2B2B2	-B2B2B3B4	-B2B2B4B4	-B4B4B4B4
66G	recograin wenge A	-\$679	-766	-746	-813
68W	recograin walnut, flat cut, matte sheen A	-\$679	-766	-746	-813
69G	recograin wenge A	-\$679	-766	-746	-813
69K	recograin oak, quarter cut, matte sheen A	-\$679	-766	-746	-813
69W	recograin walnut, quarter cut, matte sheen A	-\$679	-766	-746	-813

Recon Veneer -		-B2B2B2B2	-B2B2B3B4	-B2B2B4B4	-B4B4B4B4
96G	wenge recograin, quarter cut, low sheen A	-\$679	-766	-746	-813
98W	recograin walnut, flat cut, low sheen A	-\$679	-766	-746	-813
99G	recograin wenge, quarter cut, low sheen A	-\$679	-766	-746	-813
99K	recograin oak, quarter cut, low sheen A	-\$679	-766	-746	-813
99W	recograin walnut, quarter cut, low sheen A	-\$679	-766	-746	-813

Step 5. Stone or Marble Top		
200	perfato marble A	+\$0
250	verde antique marble A	+\$0
400	black granite A	+\$0
5U	georgia grey marble A	+\$0
800	autumn brown granite A	+\$0
960	white carrara marble A	+\$0
HR	wisconsin black marble A	+\$0

Step 6. Metal Finish		
CHR	chrome A	+\$0
SAC	satin chrome A	+\$0



Product Information

Description

This one-unit wide mobile pedestal has a wood top with metal frame. The casters are black with a silver yoke and no brake. Drawers include wood boxes and self-closing hidden drawer slides. Ward Bennett Flip Pull comes in matching metal finish.

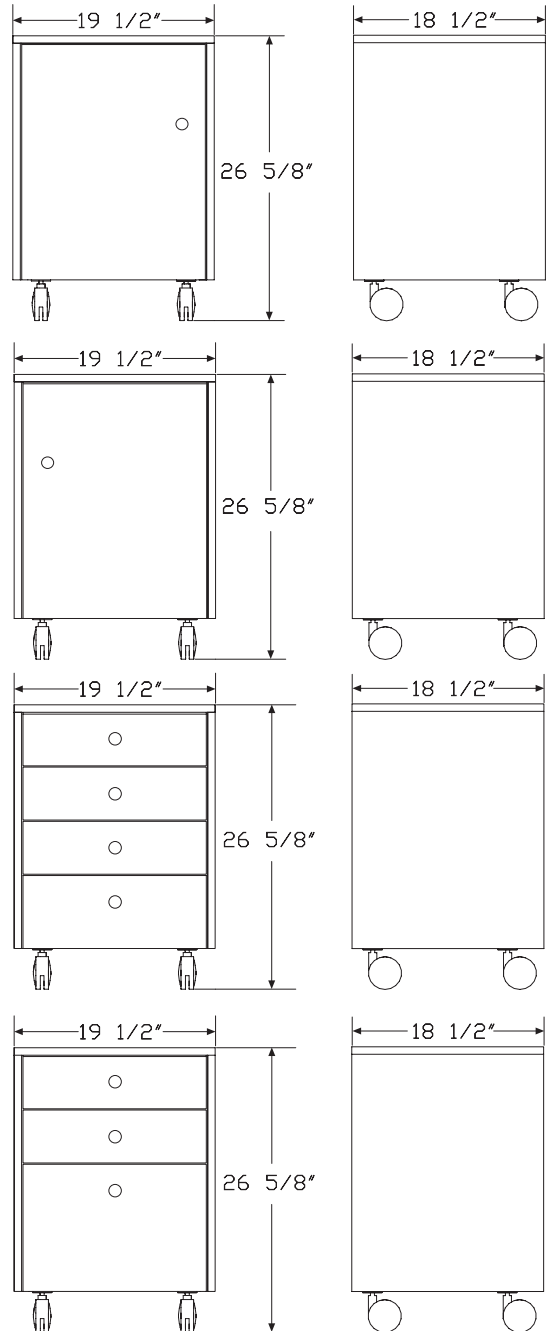
Notes

Mobile credenzas ship assembled.

B3 and B4 box drawers include pencil tray and felt lining in bottom of top drawer.

Santos palisander veneer is celebrated for its unique grain and color variations. Similar products ordered in multiples or dissimilar products ordered separately should be expected to have variation in both grain and color characteristics; no two products will look exactly alike.

Dimensions



Sled Base Mobile Pedestal *continued*

Specification Information

Step 1.

JMS1 A

Step 2. Size

-1920 18¹/₂" deep x 19¹/₂" wide x 26⁵/₈" high A

Step 3. Configuration

-B2L single door, hinged left A

-B2R single door, hinged right A

-B3 four box drawer A

-B4 box, box, file A

Prices for Steps 1-3.

JMS1-1920 -B2L	\$3262
-B2R	\$3262
-B3	\$4364
-B4	\$3942

Step 4. Wood Finish

Premium Veneer - Low Sheen

		-B2L	-B2R	-B3	-B4
931	champagne anigre (natural) A	+\$1288	1288	1723	1556
932	sundance anigre A	+\$1288	1288	1723	1556
933	caramel anigre A	+\$1288	1288	1723	1556
934	henna anigre A	+\$1288	1288	1723	1556
941	natural beech A	+\$0	0	0	0
942	sundance cherry (natural) A	+\$0	0	0	0
943	caramel cherry A	+\$0	0	0	0
946	cocoa cherry A	+\$0	0	0	0
951	natural anigre A	+\$1288	1288	1723	1556
956	cocoa sapele A	+\$0	0	0	0
962	toasted walnut, low sheen A	+\$0	0	0	0
963	charred walnut, low sheen A	+\$0	0	0	0
964	bronzed walnut, low sheen A	+\$0	0	0	0
965	smoked walnut, low sheen A	+\$0	0	0	0
966	coffee walnut, low sheen A	+\$0	0	0	0
967	smoked paldao, low sheen A	+\$483	483	646	584
969	warm paldao, low sheen A	+\$483	483	646	584

977	chocolate ash, low sheen A	+\$0	0	0	0
978	natural oak A	+\$0	0	0	0
981	champagne hickory (natural) A	+\$0	0	0	0
98R	recograin rosewood A	+\$0	0	0	0
991	champagne ash A	+\$0	0	0	0
998	ebony ash A	+\$0	0	0	0
99A	recograin frosty ash A	+\$0	0	0	0
99R	recograin rosewood A	+\$0	0	0	0
99T	recograin teak A	+\$0	0	0	0
9A1	white ash, quarter cut, low sheen A	+\$0	0	0	0
9K1	rift oak, rift cut, low sheen A	+\$0	0	0	0
9K6	burnt oak, rift cut, low sheen A	+\$0	0	0	0
ED	aged cherry A	+\$0	0	0	0
EK	medium red walnut A	+\$0	0	0	0
G2U	light brown walnut, low sheen A	+\$0	0	0	0
G40	dark brown walnut, low sheen A	+\$0	0	0	0
UX	walnut on cherry A	+\$0	0	0	0

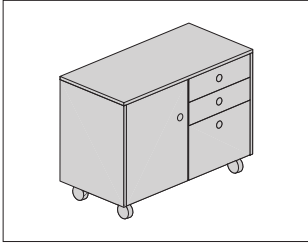
Sled Base Mobile Pedestal *continued*

Premium Veneer - Matte		-B2L	-B2R	-B3	-B4
662	toasted walnut, matte sheen A	+\$0	0	0	0
663	charred walnut, matte sheen A	+\$0	0	0	0
664	bronzed walnut, matte sheen A	+\$0	0	0	0
665	smoked walnut, matte sheen A	+\$0	0	0	0
666	coffee walnut, matte sheen A	+\$0	0	0	0
667	smoked paldao, quarter cut, matte sheen A	+\$483	483	646	584
669	warm paldao, quarter cut, matte sheen A	+\$483	483	646	584
66A	recograin frosty ash A	+\$0	0	0	0
677	chocolate ash, matte sheen A	+\$0	0	0	0
678	natural oak A	+\$0	0	0	0
68R	recograin rosewood A	+\$0	0	0	0
69A	recograin frosty ash A	+\$0	0	0	0
69R	recograin rosewood A	+\$0	0	0	0
69T	recograin teak A	+\$0	0	0	0
6A1	white ash A	+\$0	0	0	0
6K1	rift oak A	+\$0	0	0	0
6K6	burnt oak A	+\$0	0	0	0
ET	clear on ash A	+\$0	0	0	0
EU	oak on ash A	+\$0	0	0	0
EV	walnut on ash A	+\$0	0	0	0
GOU	natural walnut, flat cut, matte sheen A	+\$0	0	0	0

RecoGrain Veneer		-B2L	-B2R	-B3	-B4
66G	recograin wenge A	-\$161	-161	-216	-195
68W	recograin walnut, flat cut, matte sheen A	-\$161	-161	-216	-195
69G	recograin wenge A	-\$161	-161	-216	-195
69K	recograin oak, quarter cut, matte sheen A	-\$161	-161	-216	-195
69W	recograin walnut, quarter cut, matte sheen A	-\$161	-161	-216	-195

Recon Veneer -		-B2L	-B2R	-B3	-B4
96G	wenge recograin, quarter cut, low sheen A	-\$161	-161	-216	-195
98W	recograin walnut, flat cut, low sheen A	-\$161	-161	-216	-195
99G	recograin wenge, quarter cut, low sheen A	-\$161	-161	-216	-195
99K	recograin oak, quarter cut, low sheen A	-\$161	-161	-216	-195
99W	recograin walnut, quarter cut, low sheen A	-\$161	-161	-216	-195

Step 5. Metal Finish		-B2L	-B2R	-B3	-B4
CHR	chrome A				+\$0
SAC	satin chrome A				+\$0



Product Information

Description

This two-unit wide mobile pedestal has a wood top with metal frame. The casters are black with a silver yoke and no brake. Drawers include wood boxes and self-closing hidden drawer slides. Ward Bennett Flip pulls come in matching metal finish.

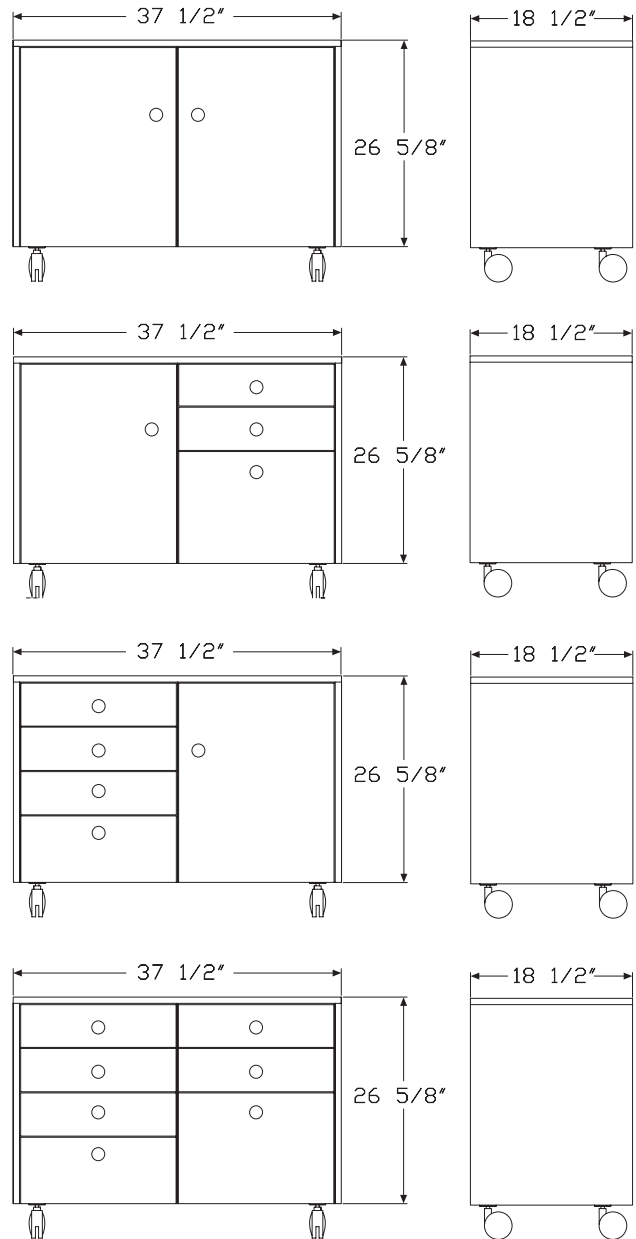
Notes

Mobile credenzas ship assembled.

B3 and B4 box drawers include pencil tray and felt lining in bottom of top drawer.

Santos palisander veneer is celebrated for its unique grain and color variations. Similar products ordered in multiples or dissimilar products ordered separately should be expected to have variation in both grain and color characteristics; no two products will look exactly alike.

Dimensions



Sled Base Mobile Credenza *continued*

Specification Information

Step 1.

JMS2

Step 2. Size

-1938 18¹/₂" deep x 37¹/₂" wide x 26⁵/₈" high

Step 3. Configuration

-B2B2 two doors

-B2B4 single door left, BBF right

-B3B2 four drawers left, single door right

-B3B4 four drawers left, BBF right

Prices for Steps 1-3.

JMS2-1938 -B2B2	\$5465
-B2B4	\$6145
-B3B2	\$6567
-B3B4	\$7246

Step 4. Wood Finish

Premium Veneer - Low Sheen

	-B2B2	-B2B4	-B3B2	-B3B4
931 champagne anigre (natural) <input type="checkbox"/>	+\$2158	2426	2592	2860
932 sundance anigre <input type="checkbox"/>	+\$2158	2426	2592	2860
933 caramel anigre <input type="checkbox"/>	+\$2158	2426	2592	2860
934 henna anigre <input type="checkbox"/>	+\$2158	2426	2592	2860
941 natural beech <input type="checkbox"/>	+\$0	0	0	0
942 sundance cherry (natural) <input type="checkbox"/>	+\$0	0	0	0
943 caramel cherry <input type="checkbox"/>	+\$0	0	0	0
946 cocoa cherry <input type="checkbox"/>	+\$0	0	0	0
951 natural anigre <input type="checkbox"/>	+\$2158	2426	2592	2860
956 cocoa sapele <input type="checkbox"/>	+\$0	0	0	0
962 toasted walnut, low sheen <input type="checkbox"/>	+\$0	0	0	0
963 charred walnut, low sheen <input type="checkbox"/>	+\$0	0	0	0
964 bronzed walnut, low sheen <input type="checkbox"/>	+\$0	0	0	0
965 smoked walnut, low sheen <input type="checkbox"/>	+\$0	0	0	0
966 coffee walnut, low sheen <input type="checkbox"/>	+\$0	0	0	0
967 smoked paldao, low sheen <input type="checkbox"/>	+\$809	910	972	1073
969 warm paldao, low sheen <input type="checkbox"/>	+\$809	910	972	1073

977 chocolate ash, low sheen <input type="checkbox"/>	+\$0	0	0	0
978 natural oak <input type="checkbox"/>	+\$0	0	0	0
981 champagne hickory (natural) <input type="checkbox"/>	+\$0	0	0	0
98R recograin rosewood <input type="checkbox"/>	+\$0	0	0	0
991 champagne ash <input type="checkbox"/>	+\$0	0	0	0
998 ebony ash <input type="checkbox"/>	+\$0	0	0	0
99A recograin frosty ash <input type="checkbox"/>	+\$0	0	0	0
99R recograin rosewood <input type="checkbox"/>	+\$0	0	0	0
99T recograin teak <input type="checkbox"/>	+\$0	0	0	0
9A1 white ash, quarter cut, low sheen <input type="checkbox"/>	+\$0	0	0	0
9K1 rift oak, rift cut, low sheen <input type="checkbox"/>	+\$0	0	0	0
9K6 burnt oak, rift cut, low sheen <input type="checkbox"/>	+\$0	0	0	0
ED aged cherry <input type="checkbox"/>	+\$0	0	0	0
EK medium red walnut <input type="checkbox"/>	+\$0	0	0	0
G2U light brown walnut, low sheen <input type="checkbox"/>	+\$0	0	0	0
G40 dark brown walnut, low sheen <input type="checkbox"/>	+\$0	0	0	0
UX walnut on cherry <input type="checkbox"/>	+\$0	0	0	0

Sled Base Mobile Credenza *continued*

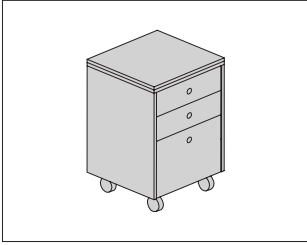
Premium Veneer - Matte		-B2B2	-B2B4	-B3B2	-B3B4
662	toasted walnut, matte sheen A	+\$0	0	0	0
663	charred walnut, matte sheen A	+\$0	0	0	0
664	bronzed walnut, matte sheen A	+\$0	0	0	0
665	smoked walnut, matte sheen A	+\$0	0	0	0
666	coffee walnut, matte sheen A	+\$0	0	0	0
667	smoked paldao, quarter cut, matte sheen A	+\$809	910	972	1073
669	warm paldao, quarter cut, matte sheen A	+\$809	910	972	1073
66A	recograin frosty ash A	+\$0	0	0	0
677	chocolate ash, matte sheen A	+\$0	0	0	0
678	natural oak A	+\$0	0	0	0
68R	recograin rosewood A	+\$0	0	0	0
69A	recograin frosty ash A	+\$0	0	0	0
69R	recograin rosewood A	+\$0	0	0	0
69T	recograin teak A	+\$0	0	0	0
6A1	white ash A	+\$0	0	0	0
6K1	rift oak A	+\$0	0	0	0
6K6	burnt oak A	+\$0	0	0	0
ET	clear on ash A	+\$0	0	0	0
EU	oak on ash A	+\$0	0	0	0
EV	walnut on ash A	+\$0	0	0	0
GOU	natural walnut, flat cut, matte sheen A	+\$0	0	0	0

RecoGrain Veneer		-B2B2	-B2B4	-B3B2	-B3B4
66G	recograin wenge A	-\$270	-304	-324	-358
68W	recograin walnut, flat cut, matte sheen A	-\$270	-304	-324	-358
69G	recograin wenge A	-\$270	-304	-324	-358
69K	recograin oak, quarter cut, matte sheen A	-\$270	-304	-324	-358
69W	recograin walnut, quarter cut, matte sheen A	-\$270	-304	-324	-358

Recon Veneer -		-B2B2	-B2B4	-B3B2	-B3B4
96G	wenge recograin, quarter cut, low sheen A	-\$270	-304	-324	-358
98W	recograin walnut, flat cut, low sheen A	-\$270	-304	-324	-358
99G	recograin wenge, quarter cut, low sheen A	-\$270	-304	-324	-358
99K	recograin oak, quarter cut, low sheen A	-\$270	-304	-324	-358
99W	recograin walnut, quarter cut, low sheen A	-\$270	-304	-324	-358

Step 5. Metal Finish		
CHR	chrome A	+\$0
SAC	satin chrome A	+\$0

Sled Base Mobile Pedestal Stone Top JMS1S
Top



Product Information

Description

This one-unit wide mobile pedestal has a stone top with metal frame. Drawers include wood boxes and self-closing hidden drawer slides. The casters are black with a silver yoke and no brake. Ward Bennett Flip pull comes in matching metal finish.

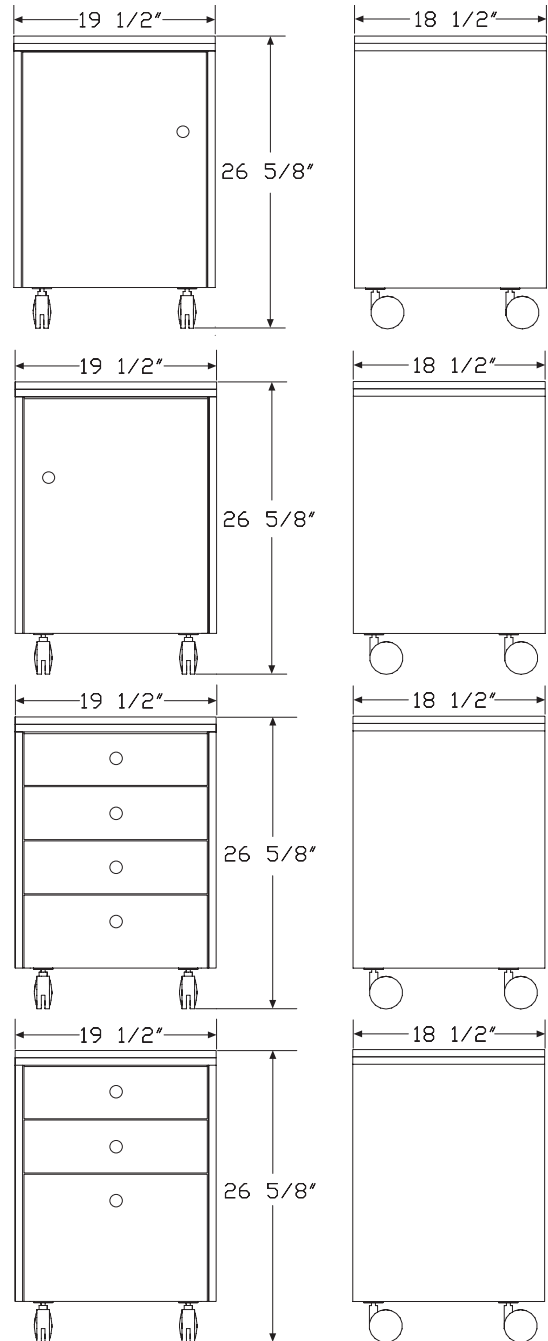
Notes

Mobile credenzas ship assembled.

B3 and B4 box drawers include pencil tray and felt lining in bottom of top drawer.

Santos palisander veneer is celebrated for its unique grain and color variations. Similar products ordered in multiples or dissimilar products ordered separately should be expected to have variation in both grain and color characteristics; no two products will look exactly alike.

Dimensions



Sled Base Mobile Pedestal Stone

Top *continued*

Specification Information

Step 1.

JMS1S A

Step 2. Size

-1920 18¹/₂" deep x 19¹/₂" wide x 26⁵/₈" high A

Step 3. Configuration

-B2L single door, hinged left A

-B2R single door, hinged right A

-B3 four box drawer A

-B4 box, box, file A

Prices for Steps 1-3.

	-B2L	-B2R	-B3	-B4
JMS1S -1920	\$4327	4327	5423	5006

Step 4. Wood Finish

Premium Veneer - Low Sheen

	-B2L	-B2R	-B3	-B4
931 champagne anigre (natural) A	+\$1708	1708	2141	1976
932 sundance anigre A	+\$1708	1708	2141	1976
933 caramel anigre A	+\$1708	1708	2141	1976
934 henna anigre A	+\$1708	1708	2141	1976
941 natural beech A	+\$0	0	0	0
942 sundance cherry (natural) A	+\$0	0	0	0
943 caramel cherry A	+\$0	0	0	0
946 cocoa cherry A	+\$0	0	0	0
951 natural anigre A	+\$1708	1708	2141	1976
956 cocoa sapele A	+\$0	0	0	0
962 toasted walnut, low sheen A	+\$0	0	0	0
963 charred walnut, low sheen A	+\$0	0	0	0
964 bronzed walnut, low sheen A	+\$0	0	0	0
965 smoked walnut, low sheen A	+\$0	0	0	0
966 coffee walnut, low sheen A	+\$0	0	0	0
967 smoked paldao, low sheen A	+\$641	641	803	741
969 warm paldao, low sheen A	+\$641	641	803	741
977 chocolate ash, low sheen A	+\$0	0	0	0
978 natural oak A	+\$0	0	0	0

981 champagne hickory (natural) A	+\$0	0	0	0
98R recograin rosewood A	+\$0	0	0	0
991 champagne ash A	+\$0	0	0	0
998 ebony ash A	+\$0	0	0	0
99A recograin frosty ash A	+\$0	0	0	0
99R recograin rosewood A	+\$0	0	0	0
99T recograin teak A	+\$0	0	0	0
9A1 white ash, quarter cut, low sheen A	+\$0	0	0	0
9K1 rift oak, rift cut, low sheen A	+\$0	0	0	0
9K6 burnt oak, rift cut, low sheen A	+\$0	0	0	0
ED aged cherry A	+\$0	0	0	0
EK medium red walnut A	+\$0	0	0	0
G2U light brown walnut, low sheen A	+\$0	0	0	0
G40 dark brown walnut, low sheen A	+\$0	0	0	0
UX walnut on cherry A	+\$0	0	0	0

Sled Base Mobile Pedestal Stone

Top *continued*

Premium Veneer - Matte		-B2L	-B2R	-B3	-B4
662	toasted walnut, matte sheen A	+\$0	0	0	0
663	charred walnut, matte sheen A	+\$0	0	0	0
664	bronzed walnut, matte sheen A	+\$0	0	0	0
665	smoked walnut, matte sheen A	+\$0	0	0	0
666	coffee walnut, matte sheen A	+\$0	0	0	0
667	smoked paldao, quarter cut, matte sheen A	+\$641	641	803	741
669	warm paldao, quarter cut, matte sheen A	+\$641	641	803	741
66A	recograin frosty ash A	+\$0	0	0	0
677	chocolate ash, matte sheen A	+\$0	0	0	0
678	natural oak A	+\$0	0	0	0
68R	recograin rosewood A	+\$0	0	0	0
69A	recograin frosty ash A	+\$0	0	0	0
69R	recograin rosewood A	+\$0	0	0	0
69T	recograin teak A	+\$0	0	0	0
6A1	white ash A	+\$0	0	0	0
6K1	rift oak A	+\$0	0	0	0
6K6	burnt oak A	+\$0	0	0	0
ET	clear on ash A	+\$0	0	0	0
EU	oak on ash A	+\$0	0	0	0
EV	walnut on ash A	+\$0	0	0	0
GOU	natural walnut, flat cut, matte sheen A	+\$0	0	0	0

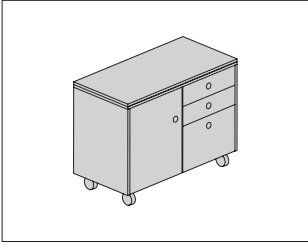
RecoGrain Veneer		-B2L	-B2R	-B3	-B4
66G	recograin wenge A	-\$214	-214	-268	-247
68W	recograin walnut, flat cut, matte sheen A	-\$214	-214	-268	-247
69G	recograin wenge A	-\$214	-214	-268	-247
69K	recograin oak, quarter cut, matte sheen A	-\$214	-214	-268	-247
69W	recograin walnut, quarter cut, matte sheen A	-\$214	-214	-268	-247

Recon Veneer -		-B2L	-B2R	-B3	-B4
96G	wenge recograin, quarter cut, low sheen A	-\$214	-214	-268	-247
98W	recograin walnut, flat cut, low sheen A	-\$214	-214	-268	-247
99G	recograin wenge, quarter cut, low sheen A	-\$214	-214	-268	-247
99K	recograin oak, quarter cut, low sheen A	-\$214	-214	-268	-247
99W	recograin walnut, quarter cut, low sheen A	-\$214	-214	-268	-247

Step 5. Stone or Marble Top		
200	perfato marble A	+\$0
250	verde antique marble A	+\$0
400	black granite A	+\$0
5U	georgia grey marble A	+\$0
800	autumn brown granite A	+\$0
960	white carrara marble A	+\$0
HR	wisconsin black marble A	+\$0

Step 6. Metal Finish		
CHR	chrome A	+\$0
SAC	satin chrome A	+\$0

Sled Base Mobile Credenza Stone Top JMS2S
Top



HermanMiller Collection—Storage

Product Information

Description

This two-unit wide mobile pedestal has a stone top with metal frame. The casters are black with a silver yoke and no brake. Drawers include wood boxes and self-closing hidden drawer slides. Ward Bennett Flip pulls come in matching metal finish.

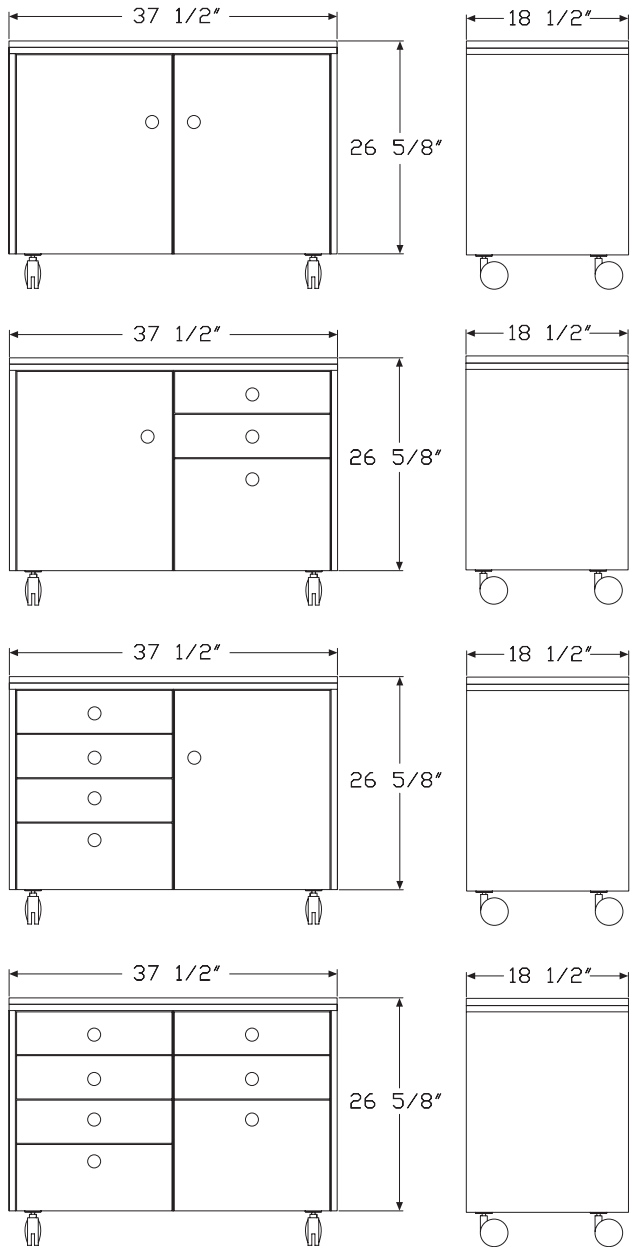
Notes

Mobile credenzas ship assembled.

B3 and B4 box drawers include pencil tray and felt lining in bottom of top drawer.

Santos palisander veneer is celebrated for its unique grain and color variations. Similar products ordered in multiples or dissimilar products ordered separately should be expected to have variation in both grain and color characteristics; no two products will look exactly alike.

Dimensions



Sled Base Mobile Credenza Stone Top *continued*

Specification Information

Step 1.

JMS2S A

Step 2. Size

-1938 18¹/₂" deep x 37¹/₂" wide x 26⁵/₈" high A

Step 3. Configuration

-B2B2 two doors A

-B2B4 single door left, BBF right A

-B3B2 four drawers left, single door right A

-B3B4 four drawers left, BBF right A

Prices for Steps 1-3.

	-B2B2	-B2B4	-B3B2	-B3B4
JMS2S -1938	\$7588	8268	8685	9370

Step 4. Wood Finish

Premium Veneer - Low Sheen

	-B2B2	-B2B4	-B3B2	-B3B4
931 champagne anigre (natural) A	+\$2996	3264	3428	3699
932 sundance anigre A	+\$2996	3264	3428	3699
933 caramel anigre A	+\$2996	3264	3428	3699
934 henna anigre A	+\$2996	3264	3428	3699
941 natural beech A	+\$0	0	0	0
942 sundance cherry (natural) A	+\$0	0	0	0
943 caramel cherry A	+\$0	0	0	0
946 cocoa cherry A	+\$0	0	0	0
951 natural anigre A	+\$2996	3264	3428	3699
956 cocoa sapele A	+\$0	0	0	0
962 toasted walnut, low sheen A	+\$0	0	0	0
963 charred walnut, low sheen A	+\$0	0	0	0
964 bronzed walnut, low sheen A	+\$0	0	0	0
965 smoked walnut, low sheen A	+\$0	0	0	0
966 coffee walnut, low sheen A	+\$0	0	0	0
967 smoked paldao, low sheen A	+\$1124	1224	1286	1387
969 warm paldao, low sheen A	+\$1124	1224	1286	1387
977 chocolate ash, low sheen A	+\$0	0	0	0
978 natural oak A	+\$0	0	0	0

981 champagne hickory (natural) A	+\$0	0	0	0
98R recograin rosewood A	+\$0	0	0	0
991 champagne ash A	+\$0	0	0	0
998 ebony ash A	+\$0	0	0	0
99A recograin frosty ash A	+\$0	0	0	0
99R recograin rosewood A	+\$0	0	0	0
99T recograin teak A	+\$0	0	0	0
9A1 white ash, quarter cut, low sheen A	+\$0	0	0	0
9K1 rift oak, rift cut, low sheen A	+\$0	0	0	0
9K6 burnt oak, rift cut, low sheen A	+\$0	0	0	0
ED aged cherry A	+\$0	0	0	0
EK medium red walnut A	+\$0	0	0	0
G2U light brown walnut, low sheen A	+\$0	0	0	0
G40 dark brown walnut, low sheen A	+\$0	0	0	0
UX walnut on cherry A	+\$0	0	0	0

Sled Base Mobile Credenza Stone

Top *continued*

HermanMiller Collection—Storage

Premium Veneer - Matte		-B2B2	-B2B4	-B3B2	-B3B4
662	toasted walnut, matte sheen A	+\$0	0	0	0
663	charred walnut, matte sheen A	+\$0	0	0	0
664	bronzed walnut, matte sheen A	+\$0	0	0	0
665	smoked walnut, matte sheen A	+\$0	0	0	0
666	coffee walnut, matte sheen A	+\$0	0	0	0
667	smoked paldao, quarter cut, matte sheen A	+\$1124	1224	1286	1387
669	warm paldao, quarter cut, matte sheen A	+\$1124	1224	1286	1387
66A	recograin frosty ash A	+\$0	0	0	0
677	chocolate ash, matte sheen A	+\$0	0	0	0
678	natural oak A	+\$0	0	0	0
68R	recograin rosewood A	+\$0	0	0	0
69A	recograin frosty ash A	+\$0	0	0	0
69R	recograin rosewood A	+\$0	0	0	0
69T	recograin teak A	+\$0	0	0	0
6A1	white ash A	+\$0	0	0	0
6K1	rift oak A	+\$0	0	0	0
6K6	burnt oak A	+\$0	0	0	0
ET	clear on ash A	+\$0	0	0	0
EU	oak on ash A	+\$0	0	0	0
EV	walnut on ash A	+\$0	0	0	0
GOU	natural walnut, flat cut, matte sheen A	+\$0	0	0	0

RecoGrain Veneer		-B2B2	-B2B4	-B3B2	-B3B4
66G	recograin wenge A	-\$375	-408	-429	-463
68W	recograin walnut, flat cut, matte sheen A	-\$375	-408	-429	-463
69G	recograin wenge A	-\$375	-408	-429	-463
69K	recograin oak, quarter cut, matte sheen A	-\$375	-408	-429	-463
69W	recograin walnut, quarter cut, matte sheen A	-\$375	-408	-429	-463

Recon Veneer -		-B2B2	-B2B4	-B3B2	-B3B4
96G	wenge recograin, quarter cut, low sheen A	-\$375	-408	-429	-463
98W	recograin walnut, flat cut, low sheen A	-\$375	-408	-429	-463
99G	recograin wenge, quarter cut, low sheen A	-\$375	-408	-429	-463
99K	recograin oak, quarter cut, low sheen A	-\$375	-408	-429	-463
99W	recograin walnut, quarter cut, low sheen A	-\$375	-408	-429	-463

Step 5. Stone or Marble Top		
200	perfato marble A	+\$0
250	verde antique marble A	+\$0
400	black granite A	+\$0
5U	georgia grey marble A	+\$0
800	autumn brown granite A	+\$0
960	white carrara marble A	+\$0
HR	wisconsin black marble A	+\$0

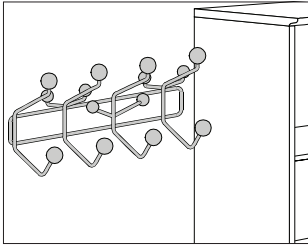
Step 6. Metal Finish		
CHR	chrome A	+\$0
SAC	satin chrome A	+\$0

Accessories

Lighting

Eames® Hang-It-All®

HIA91
 HIABK
 HIAML
 HIAOU
 HIAUL

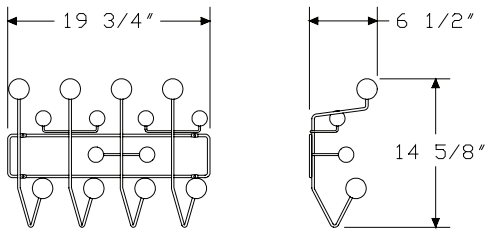


Product Information

Description

The Hang-It-All® frame is steel rod, available in white, black or dark blue. The black frame is available with solid wooden spheres in black or solid walnut. The white frame is available with either the multi-color option with 14 solid wooden spheres in 9 different colors: yellow, mustard, blue, green, red, pastel pink, bold pink, purple, and black, or the white option with solid wooden spheres in white or solid walnut. The dark blue frame is offered with solid maple spheres finished in a matte sheen. Attachment hardware is included.

Dimensions



Specification Information

Step 1.

HIA

Step 2. Sphere Finish

MLC	multi-color (multi-color spheres with white frame)
91	white
BK	black
OU	walnut
UL	natural maple

Step 3. Wire Finish

For multi-color (multi-color spheres with white frame) (MLC)

91 white

For white (91)

91 white

For black (BK)

BK black

For walnut (OU)

91 white

BK black

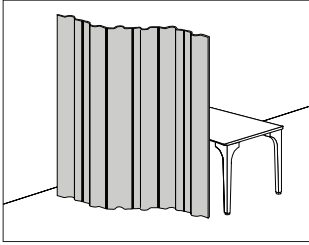
For natural maple (UL)

DBM dark blue maple

Prices for Steps 1-3.

HIAMLC 91	\$231
HIA91 91	\$196
HIABK BK	\$196
HIAOU 91	\$301
BK	\$301
HIAUL DBM	\$301

Eames® Molded Plywood Folding Screen FSW.



HermanMiller Collection—Accessories

Product Information

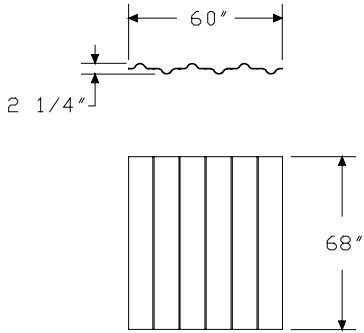
Description

This 6-paneled, 5-ply screen has natural face veneers with lightweight hardwood inner plies. It stands alone to create standing or seated privacy and divisions within an environment. Each molded plywood section is connected by woven polypropylene mesh.

Notes

Ebony (EN) option is stain on ash veneer; inner plies are not as visible.

Dimensions



Specification Information

Step 1.

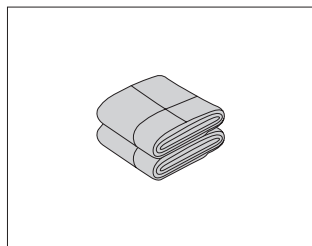
FSW. A \$3460

Step 2. Surface Finish

EN	ebony A	+\$0
OU	walnut A	+\$225
A2	white ash A	+\$225

Girard® Throw

HA-GT

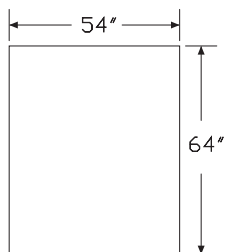


Product Information

Description

In the 1960's, Alexander Girard designed this richly hued throw blanket as part of an astounding 17,543 item brand identity system—from logo to lounge furniture to bag tags—for Braniff International Airways. The re-created designs are crafted from a blend of 82% naturally breathable, wrinkle resistant, high quality virgin wool and 18% cotton.

Dimensions



Specification Information

Step 1.

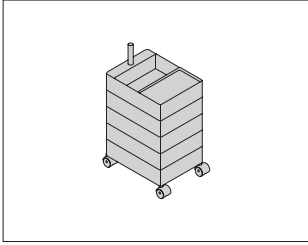
HA-GT \$359

Step 2. Finish

TLA	teal/aqua	+\$0
ORF	orange/fuchsia	+\$0
BKW	black/white	+\$0
NLW	natural/white	+\$0

360° Container (5 drawer w/
casters)

HA-CO



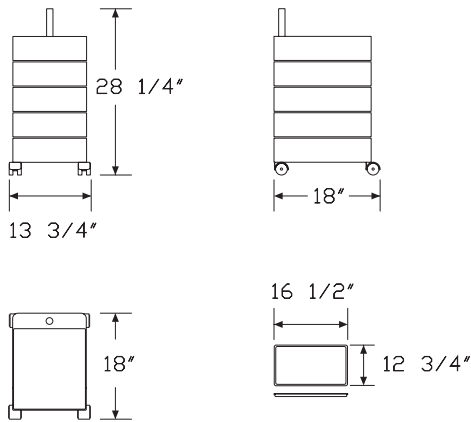
HermanMiller Collection—Accessories

Product Information

Description

A strikingly simple and highly mobile storage solution, Konstantin Grcic's 360° Container for Magis keeps pace with contemporary work and living spaces where considerable movement is the norm. The container's drawer units swivel out to 360° to open, and casters allow for convenient mobility.

Dimensions



Specification Information

Step 1.

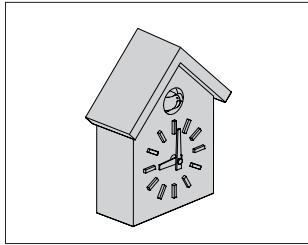
HA-CO \$683

Step 2. Finish

TRG	orange gloss	+\$0
TWG	white gloss	+\$0
YB3	light grey gloss	+\$0
TBG	black gloss	+\$0
RED	red gloss	+\$0
YQ1	yellow	+\$0
YQ2	pink	+\$0
YQ3	bordeaux	+\$0
YQ4	blue	+\$0
YQ5	green	+\$0

Cu-Clock, 4-Pack

HA-CC

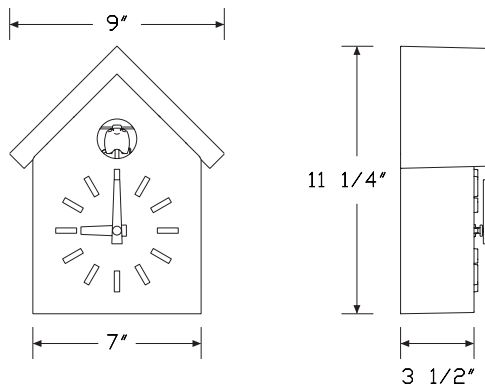


Product Information

Description

Japanese designer Naoto Fukasawa offers a contemporary twist on tradition with his Cu-Clock for Magis. Cleverly stripping away the ornamentation, wooden gears, pendants, and chains that define the look of the traditional Black Forest cuckoo clock, Fukasawa leaves in its place clean lines and standard injection-molded ABS. Finish is matte white with optional roof colors. Battery included.

Dimensions



Specification Information

Step 1.

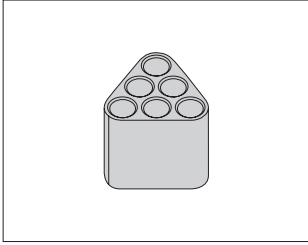
HA-CC-4 \$1468

Step 2. Finish

A	white with orange roof	+\$0
B	white with white roof	+\$0
V	white with green roof	+\$0

Umbrella Stand

HA-US



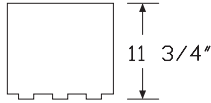
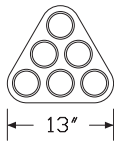
HermanMiller Collection—Accessories

Product Information

Description

The Umbrella Stand for Magis allows long and short umbrellas to be easily popped in and stowed when dashing in from the rain. Its compact size and triangular shape make for easy placement in an entryway or hallway. Available in orange, white, black, or olive green.

Dimensions



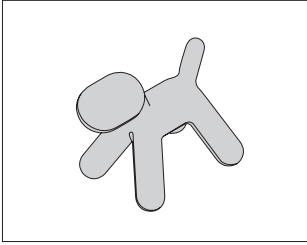
Specification Information

Step 1.

HA-US A \$157

Step 2. Finish

ORN	orange	+\$0
WHX	white	+\$0
BLC	black	+\$0
YGH	olive green A	+\$0
YL6	yellow	+\$0
YL7	flourescent orange	+\$0
YL8	dark blue	+\$0

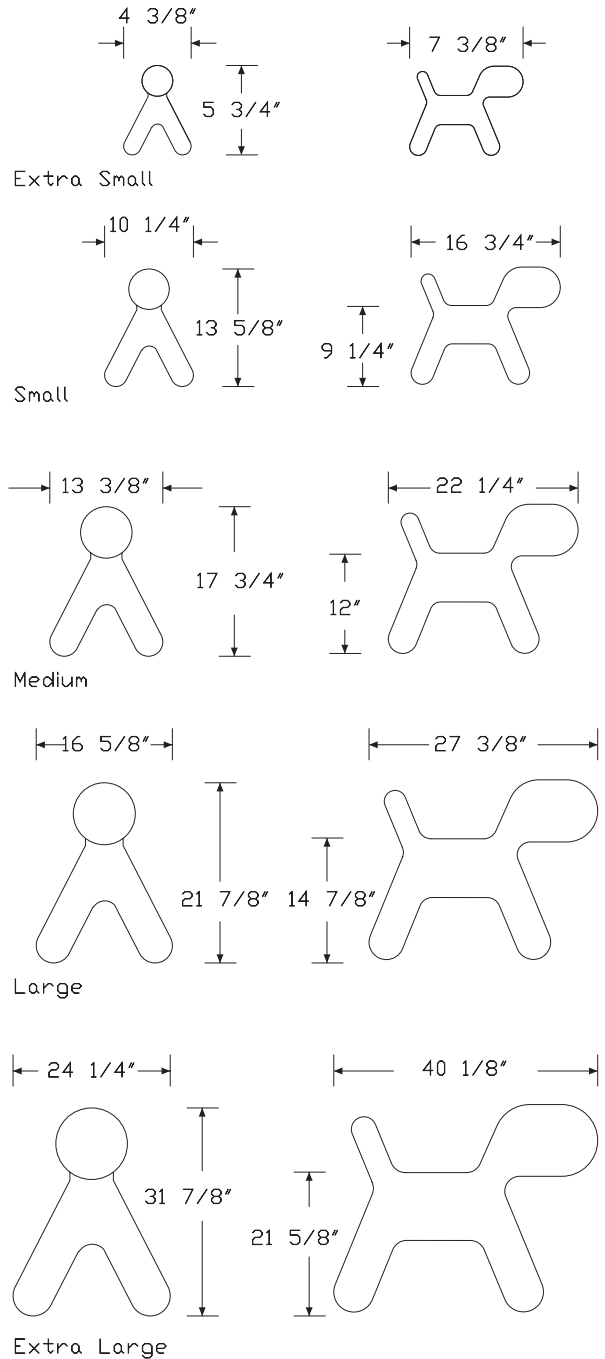


Product Information

Description

The vivid color, organic form, and playful spirit of Puppy are all characteristic of Finnish designer Eero Aarnio's oeuvre. Imaginative and innovative, his abstract plastic dog for Magis Me Too blends function and delight, finding use both inside and out as a seat or simply as sculpture.

Dimensions



Specification Information

Step 1.

HA-PP

Step 2. Size

- XS** extra small
- S** small
- M** medium
- L** large
- XL** extra large

Prices for Steps 1-2.

HA-PP XS	\$90
S	\$94
M	\$157
L	\$250
XL	\$590

Step 3. Finish

For extra small (XS)

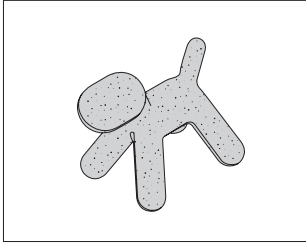
PFW off-white <input type="checkbox"/>	+\$0
PBB black <input type="checkbox"/>	+\$0
PCR coral red <input type="checkbox"/>	+\$0
PTR turquoise <input type="checkbox"/>	+\$0
PMD mustard <input type="checkbox"/>	+\$0

For small (S), medium (M), large (L), or extra large (XL)

PRG orange	+\$0
PFW off-white	+\$0
PGN green <input type="checkbox"/>	+\$0
PTR turquoise <input type="checkbox"/>	+\$0
PYL yellow <input type="checkbox"/>	+\$0
PPK pink <input type="checkbox"/>	+\$0

Dalmatian Puppy

HA-DP

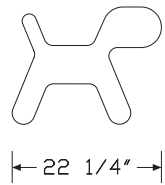
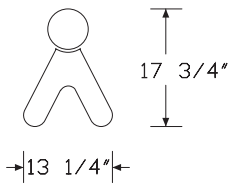
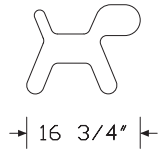
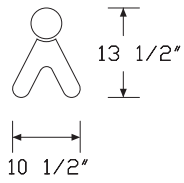


Product Information

Description

The color, organic form, and playful spirit of Puppy are all characteristic of Finnish designer Eero Aarnio's oeuvre. Imaginative and innovative, his abstract plastic dog for Magis Me Too blends function and delight, finding use both inside and out as a seat or simply as sculpture.

Dimensions



Specification Information

Step 1.

HA-DP

Step 2. Size

S small

M medium

L large

Prices for Steps 1-2.

HA-DP	S	\$130
	M	\$220
	L	\$290

Steelwood Coat Stand

HA-CR



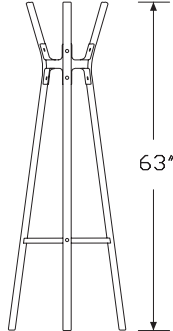
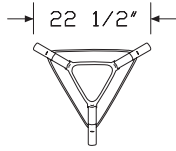
HermanMiller Collection—Accessories

Product Information

Description

This coat stand shares the same simple wood and steel joinery that makes the entire Steelwood family appropriate for casual and elegant settings alike. Its triangular footprint fits easily into tight spaces. Frame is natural or painted beech. Top and bottom joints are steel plate painted in epoxy resin.

Dimensions



Specification Information

Step 1.

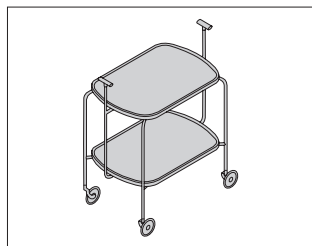
HA-CR \$662

Step 2. Finish

WFW	white frame with white joints	+\$0
BFB	black frame with black joints	+\$0
NBW	natural beech frame with white joints	+\$0
NBB	natural beech frame with black joints	+\$0
YWF	walnut frame with black joints A	+\$430

Transit Folding Trolley

HA-TT

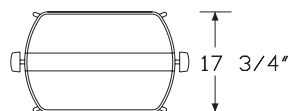
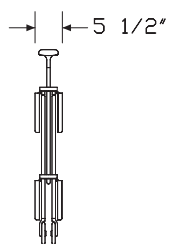
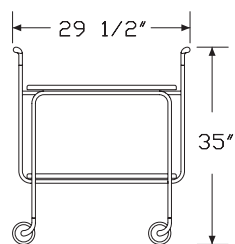


Product Information

Description

The practical design and subtle sophistication of David Mellor's Transit Folding Trolley for Magis makes this resourceful trolley cart equally suited for both home and work environments. Made with a chromed steel tube frame, standard injection-molded polypropylene shelves, and polished die-cast aluminum handles, Transit features casters for easy mobility and a folding system for quick, compact storage.

Dimensions



Specification Information

Step 1.

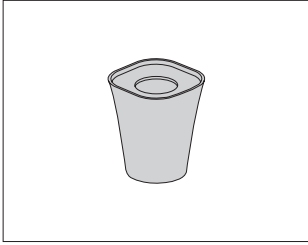
HA-TT \$736

Step 2. Finish

YF9 white +\$0

Trash Bin, 4-Pack

HA-TH-



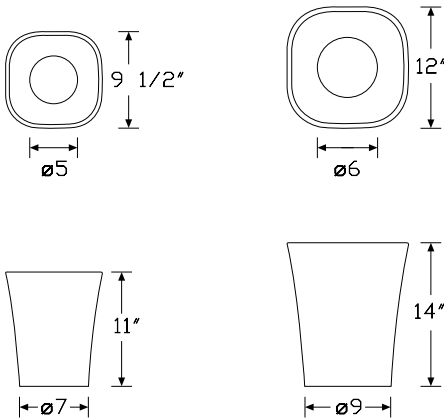
HermanMiller Collection—Accessories

Product Information

Description

Jasper Morrison's ability to design simple, functional objects beautifully finds its proof in his covetable reprisal of the lowly trash container. Created with Magis using standard plastic, this sleek receptacle features a removable lid and bag-liner holder to make basic litter collection easier and more stylish in the home or workplace.

Dimensions



Specification Information

Step 1.

HA-TH-4

Step 2. Size

- 4.** Small
- 0.** Large

Prices for Steps 1-2.

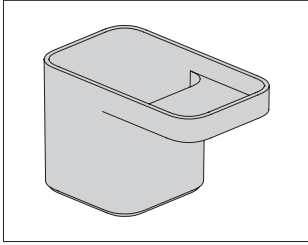
HA-TH-4 4.	\$152
0.	\$228

Step 3. Finish

B	white matte color	+\$0
N	black matte color	+\$0
BE	beige matte color <input type="checkbox"/>	+\$0

Pencil Cup

CY100.



Product Information

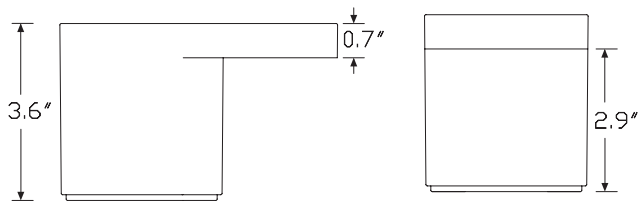
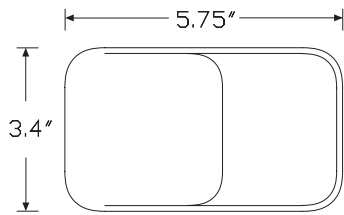
Description

The pencil cup is designed to hold pencils, pens, markers, and office tools. It also has an integrated ledge for convenient storage of other small items. It is crafted of high gloss ABS plastic with a silicone base.

Notes

Formwork® is a modular system of containers that may be arranged, stacked, and combined to best organize tools and accessories.

Dimensions



Specification Information

Step 1.

CY100. \$23

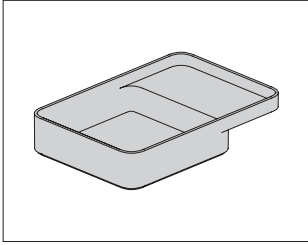
Step 2. Finish

CRT concrete +\$0

NYX onyx +\$0

Tray

CY101.



HermanMiller Collection—Accessories

Product Information

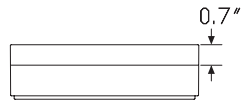
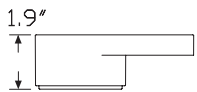
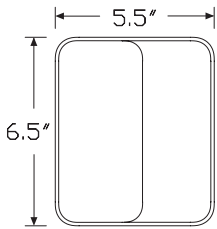
Description

These stackable trays are designed to hold small office tools and personal items, and have an integrated ledge for convenient storage of other objects such as business cards or a pad of sticky notes. They are crafted of high gloss ABS plastic with a silicone base.

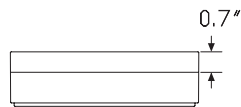
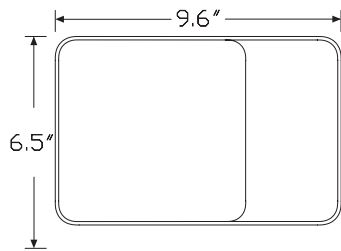
Notes

Formwork® is a modular system of containers that may be arranged, stacked, and combined to best organize tools and accessories.

Dimensions



Tray-Small



Tray-Large

Specification Information

Step 1.

CY101.

Step 2. Size

S small

L large

Prices for Steps 1-2.

CY101. S	\$25
L	\$32

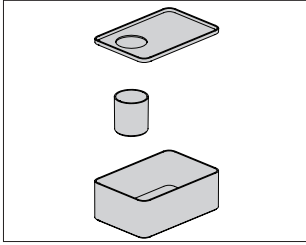
Step 3. Finish

CRT concrete +\$0

NYX onyx +\$0

Box

CY102.



Product Information

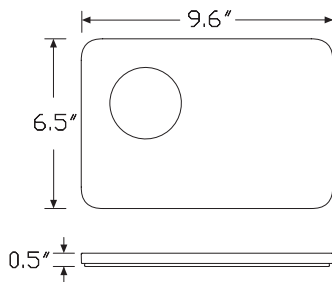
Description

These stackable boxes are designed to hold office tools and personal items, and have a cup for convenient storage of other objects such as paper clips, tacks, and loose change. They are crafted of high gloss ABS plastic with a silicone base.

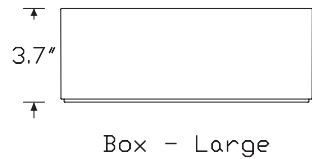
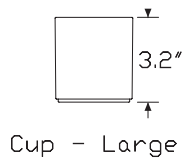
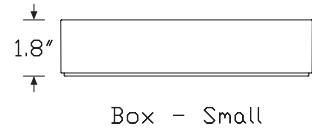
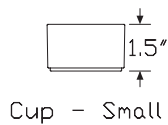
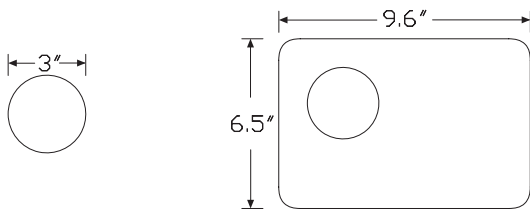
Notes

Formwork® is a modular system of containers that may be arranged, stacked, and combined to best organize tools and accessories.

Dimensions



Lid



Specification Information

Step 1.

CY102.

Step 2. Size

- S** small
- L** large

Prices for Steps 1-2.

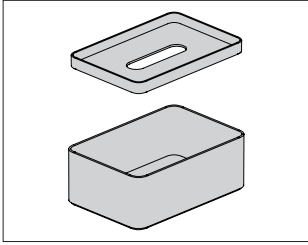
CY102. S	\$56
L	\$68

Step 3. Finish

CRT concrete	+\$0
NYX onyx	+\$0

Tissue Box

CY103.



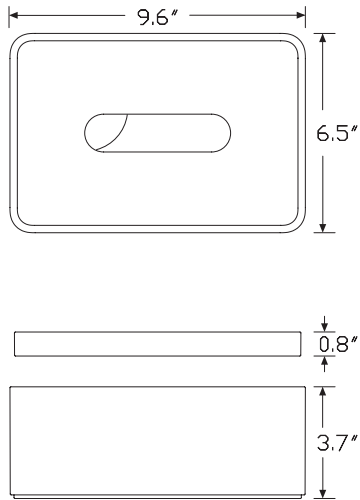
HermanMiller Collection—Accessories

Product Information

Description
The tissue box is crafted of high gloss ABS plastic with a silicone base.

Notes
Formwork® is a modular system of containers that may be arranged, stacked, and combined to best organize tools and accessories.

Dimensions



Specification Information

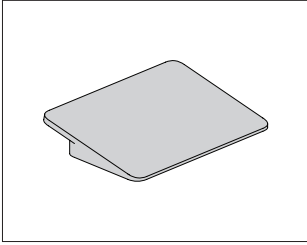
Step 1.
CY103. \$66

Step 2. Finish

CRT	concrete	+\$0
NYX	onyx	+\$0

Media Stand

CY104.



Product Information

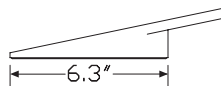
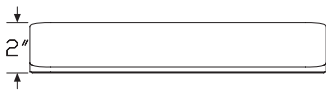
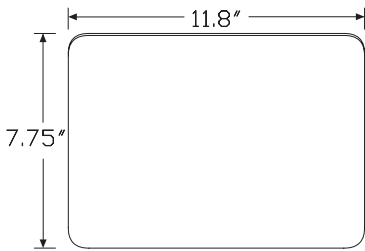
Description

The media stand supports tablets, notebooks, and small laptops. It is crafted of high gloss ABS plastic with a silicone top.

Notes

Formwork® is a modular system of containers that may be arranged, stacked, and combined to best organize tools and accessories.

Dimensions



Specification Information

Step 1.

CY104. \$71

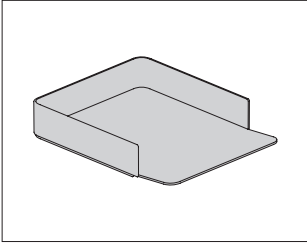
Step 2. Finish

CRT concrete +\$0

NYX onyx +\$0

Paper Tray

CY105.



HermanMiller Collection—Accessories

Product Information

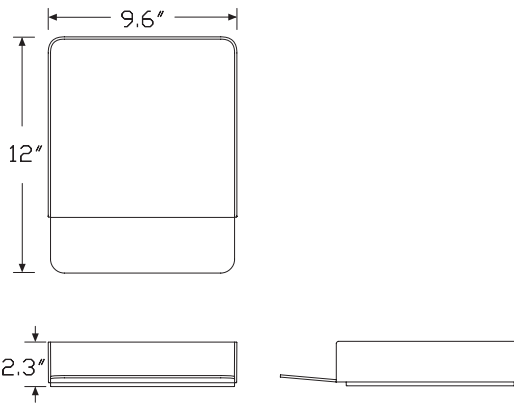
Description

This stackable paper tray is crafted of high gloss ABS plastic.

Notes

Formwork® is a modular system of containers that may be arranged, stacked, and combined to best organize tools and accessories.

Dimensions



Specification Information

Step 1.

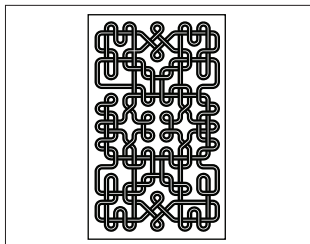
CY105. \$30

Step 2. Finish

CRT concrete +\$0

NYX onyx +\$0

Environmental Enrichment Panel, EE932 Knot



Product Information

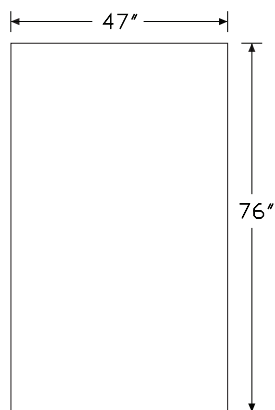
Description

This environmental enrichment panel is 47" x 76" and is screen printed by hand on 100% linen fabric. Mounted on an MDF panel with a spacer frame and hardware, it is easy to install on a wall.

Notes

Mounted panel is stretched over MDF with a frame and sawtooth hanging clip.

Dimensions



Specification Information

Step 1.

EE A

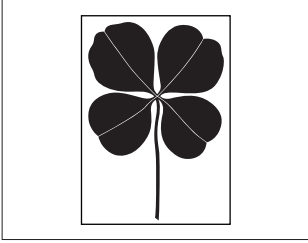
Step 2. Form

932 mounted A

Prices for Steps 1-2.

EE932 \$1832

Environmental Enrichment Panel, EE929
Four Leaf Clover



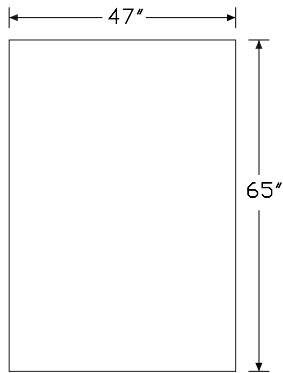
HermanMiller Collection—Accessories

Product Information

Description
This environmental enrichment panel is 47" x 65" and is screen printed by hand on 100% linen fabric. Mounted on an MDF panel with a spacer frame and hardware, it is easy to install on a wall.

Notes
Mounted panel is stretched over MDF with a frame and sawtooth hanging clip.

Dimensions



Specification Information

Step 1.

EE A

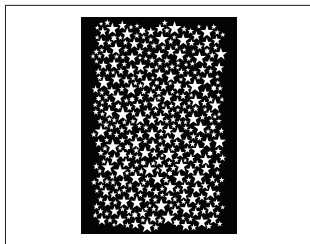
Step 2. Form

929 mounted A

Prices for Steps 1-2.

EE929 \$1687

Environmental Enrichment Panel, Stars EE913



Product Information

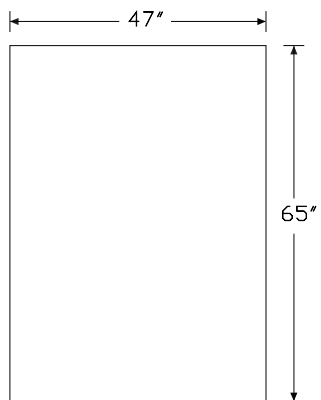
Description

This environmental enrichment panel is 47" x 65" and is screen printed by hand on 100% linen fabric. Mounted on an MDF panel with a spacer frame and hardware, it is easy to install on a wall.

Notes

Mounted panel is stretched over MDF with a frame and sawtooth hanging clip.

Dimensions



Specification Information

Step 1.

EE A

Step 2. Form

913 mounted A

Prices for Steps 1-2.

EE913 \$1687

Environmental Enrichment Panel, EE935
Black and White



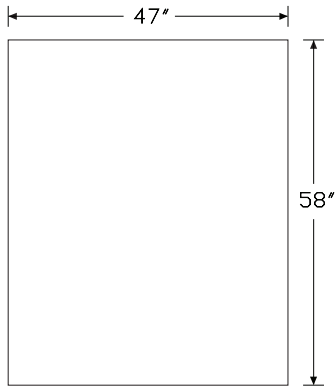
HermanMiller Collection—Accessories

Product Information

Description
This environmental enrichment panel is 47" x 58" and is screen printed by hand on 100% linen fabric. Mounted on an MDF panel with a spacer frame and hardware, it is easy to install on a wall.

Notes
Mounted panel is stretched over MDF with a frame and sawtooth hanging clip.

Dimensions



Specification Information

Step 1.

EE A

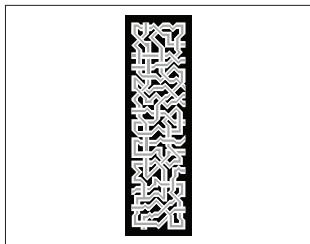
Step 2. Form

935 mounted A

Prices for Steps 1-2.

EE935 \$1608

Environmental Enrichment Panel, EE943
Ribbons



Product Information

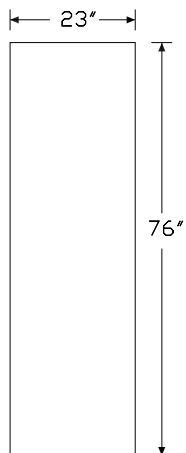
Description

This environmental enrichment panel is 23" x 76" and is screen printed by hand on 100% linen fabric. Mounted on an MDF panel with a spacer frame and hardware, it is easy to install on a wall.

Notes

Mounted panel is stretched over MDF with a frame and sawtooth hanging clip.

Dimensions



Specification Information

Step 1.

EE A

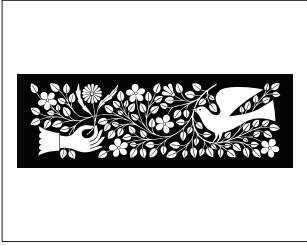
Step 2. Form

943 mounted A

Prices for Steps 1-2.

EE943 \$1652

Environmental Enrichment Panel, EE907
Hand & Dove



HermanMiller Collection—Accessories

Product Information

Description
This environmental enrichment panel is 47" x 16" and is screen printed by hand on 100% linen fabric. Mounted on an MDF panel with a spacer frame and hardware, it is easy to install on a wall.

Notes
Mounted panel is stretched over MDF with a frame and sawtooth hanging clip.

Dimensions

Specification Information

Step 1.

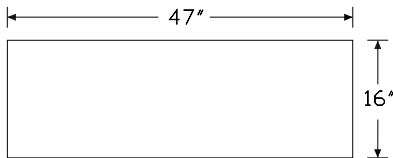
EE A

Step 2. Form

907 mounted A

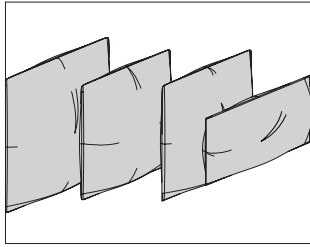
Prices for Steps 1-2.

EE907 \$1032



Geiger Textile Pillow

PTA
PTB
PTC
PTD

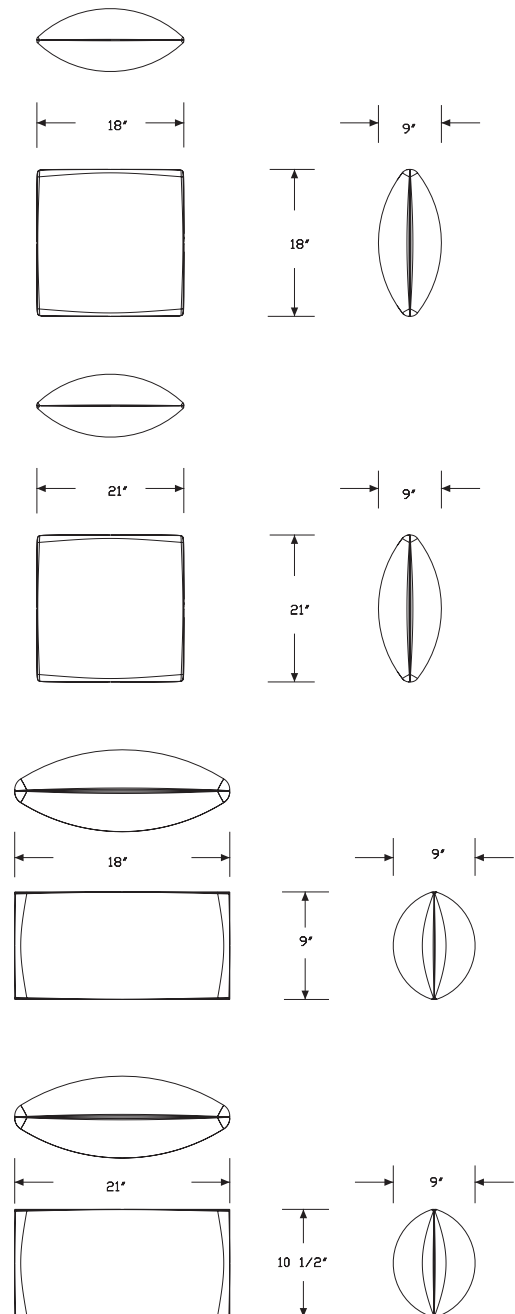


Product Information

Description

These pillows are available in 4 sizes. All pillows are filled with 95% duck feather and 5% duck down.

Dimensions



Geiger Textile Pillow *continued*

Specification Information

Step 1.

PT A

Step 2. Size

A 9" high x 18" long A

B 18" high x 18" long A

C 10.5" high x 21" long A

D 21" high x 21" long A

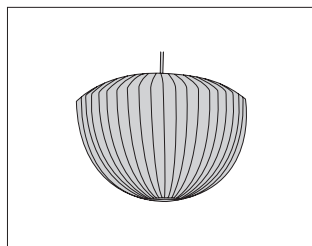
Prices for Steps 1-2.

PTA	\$153
PTB	\$183
PTC	\$163
PTD	\$229

Step 3. Fabric

Price Category (Geiger) 3	+\$31
Price Category (Geiger) 4	+\$38
Price Category (Geiger) 5	+\$55
Price Category (Geiger) 6	+\$72
Price Category (Geiger) 7	+\$89
Price Category (Geiger) 8	+\$135
Price Category (Geiger) 9	+\$168

Nelson™ Apple Bubble Pendant H766M

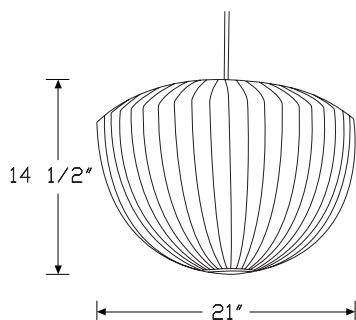


Product Information

Description
 The Nelson™ Apple Bubble Pendant comes with a 5 1/4" brushed, nickel-plated steel ceiling plate and a 10' cord. Bulb not included. 150W/120V. UL listed.

Notes
 UL rated for bulbs up to 150 watts.

Dimensions



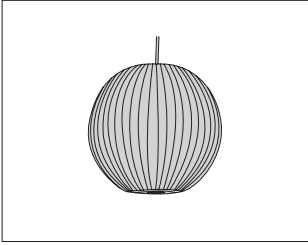
Specification Information

Step 1.	
H766	
Step 2. Size	
M	medium
Prices for Steps 1-2.	
H766M	\$595
Step 3. Trim Finish	
BNS	brushed nickel +\$0

HermanMiller Collection—Lighting

Nelson™ Ball Bubble Pendant

H761L
H761M
H761S



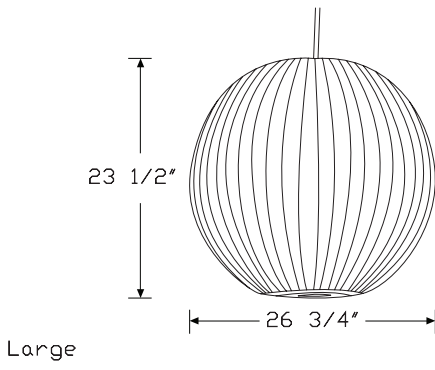
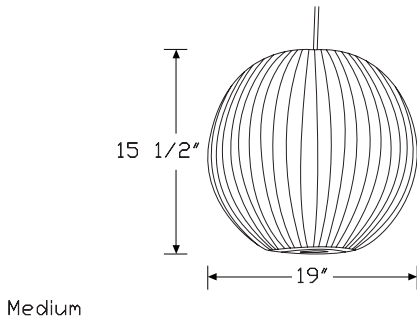
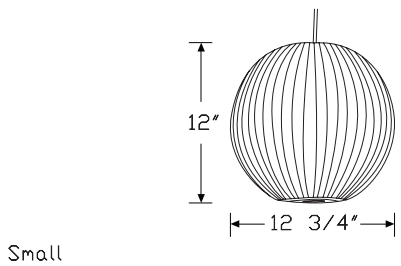
HermanMiller Collection—Lighting

Product Information

Description
The Nelson™ Ball Bubble Pendant is available in 3 sizes. Each lamp comes with a 5 1/4" brushed, nickel-plated steel ceiling plate and a 10' cord. Bulb not included. 150W/120V. UL listed.

Notes
UL rated for bulbs up to 150 watts.

Dimensions



Specification Information

Step 1.
H761

Step 2. Size
S small
M medium
L large

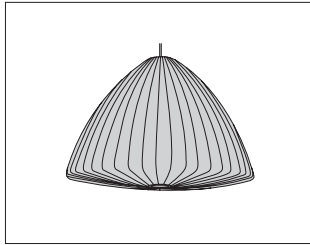
Prices for Steps 1-2.

H761S	\$476
H761M	\$595
H761L	\$672

Step 3. Trim Finish
BNS brushed nickel + \$0

Nelson™ Bell Bubble Pendant

BELLX



Product Information

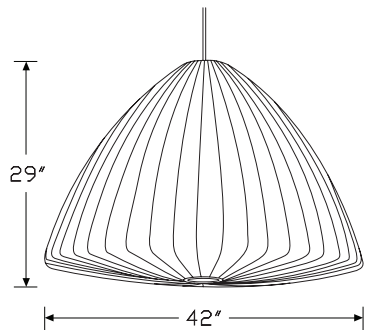
Description

The extra-large Nelson™ Bell Bubble Pendant comes with a 5 1/4" brushed, nickel-plated steel ceiling plate and a 9' cord. Bulb not included. 150W/120V. UL listed.

Notes

UL rated for bulbs up to 150 watts.

Dimensions



Specification Information

Step 1.

BELL

Step 2. Size

XL x-large

Prices for Steps 1-2.

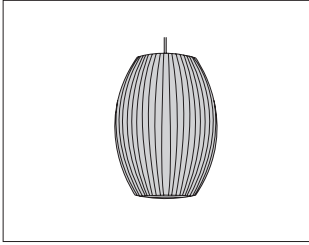
BELLXL \$1417

Step 3. Trim Finish

BNS brushed nickel +\$0

Nelson™ Cigar Bubble Pendant

H762L
H762M
H762S
H762X



Product Information

Description

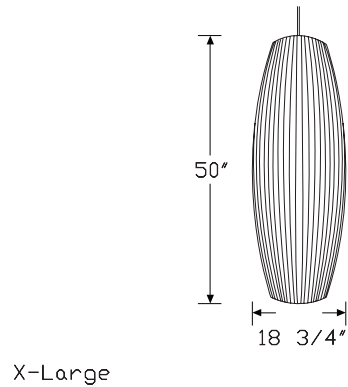
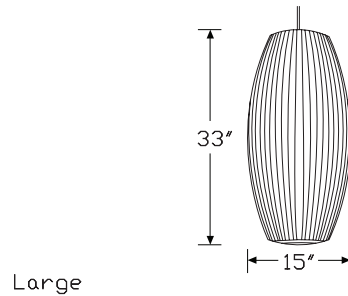
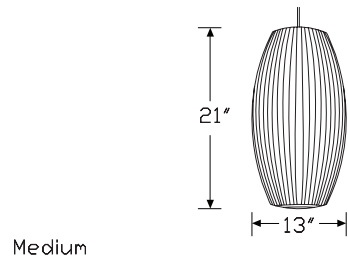
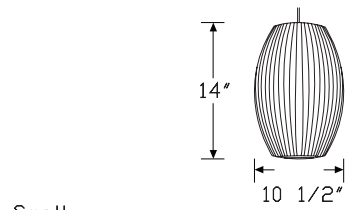
The Nelson™ Cigar Bubble Pendant is available in 4 sizes. Each lamp comes with a 5 1/4" brushed, nickel-plated steel ceiling plate and a 10' cord. Bulb not included. 150W/120V. UL listed.

Notes

UL rated for bulbs up to 150 watts.

HermanMiller Collection—Lighting

Dimensions



Nelson™ Cigar Bubble Pendant

continued

Specification Information

Step 1.

H762

Step 2. Size

S small

M medium

L large

XL x-large

Prices for Steps 1-2.

H762S \$476

H762M \$595

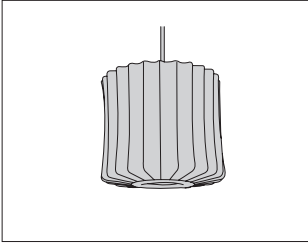
H762L \$672

H762XL \$1417

Step 3. Trim Finish

BNS brushed nickel +\$0

Nelson™ Lantern Bubble Pendant H737S



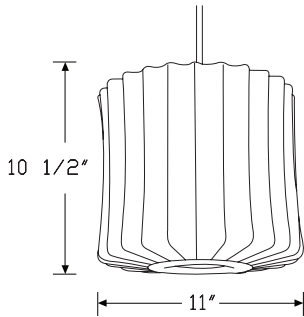
HermanMiller Collection—Lighting

Product Information

Description
 The Nelson™ Lantern Bubble Pendant comes with a 5 1/4" brushed, nickel-plated steel ceiling plate and a 10' cord. Bulb not included. 150W/120V. UL listed.

Notes
 UL rated for bulbs up to 150 watts.

Dimensions



Specification Information

Step 1.

H737

Step 2. Size

S small

Prices for Steps 1-2.

H737S \$476

Step 3. Trim Finish

BNS brushed nickel +\$0

Nelson™ Pear Bubble Pendant

H770M
H770S



Product Information

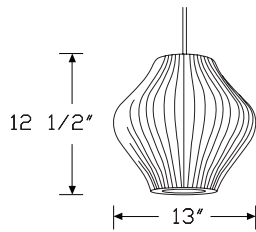
Description

The Nelson™ Pear Bubble Pendant is available in 2 sizes. Each lamp comes with a 5 1/4" brushed, nickel-plated steel ceiling plate and a 10' cord. Bulb not included. 150W/120V. UL listed.

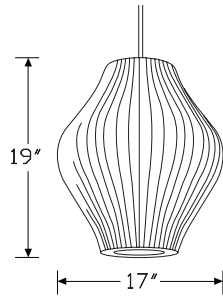
Notes

UL rated for bulbs up to 150 watts.

Dimensions



Small



Medium

Specification Information

Step 1.

H770

Step 2. Size

- S** small
- M** medium

Prices for Steps 1-2.

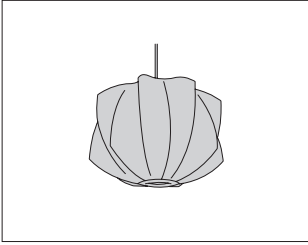
H770S	\$476
H770M	\$595

Step 3. Trim Finish

BNS brushed nickel	+\$0
---------------------------	------

Nelson™ Propeller Bubble
Pendant

PROP



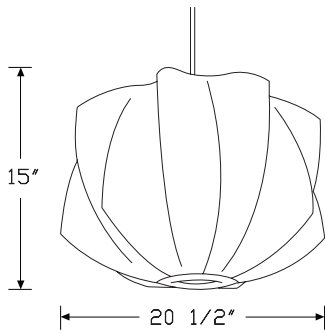
HermanMiller Collection—Lighting

Product Information

Description
The Nelson™ Propeller Bubble Pendant comes with a 5 1/4" brushed, nickel-plated steel ceiling plate and a 10' cord. Bulb not included. 150W/120V. UL listed.

Notes
UL rated for bulbs up to 150 watts.

Dimensions



Specification Information

Step 1.

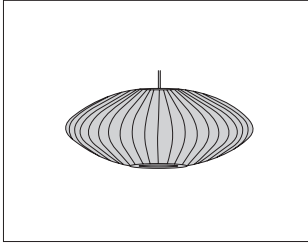
PROP \$595

Step 2. Trim Finish

BNS brushed nickel +\$0

Nelson™ Saucer Bubble Pendant

H763L
H763M
H763S
H763X



Product Information

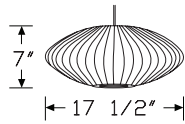
Description

The Nelson™ Saucer Bubble Pendant is available in 4 sizes. Each lamp comes with a 5 1/4" brushed, nickel-plated steel ceiling plate and a 10' cord. The extra-large lamp has a 9' cord. Bulb not included. 150W/120V for medium, large and extra-large saucers; 60W/120V for small saucers. UL listed.

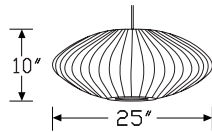
Notes

UL rated for bulbs up to 150 watts; small saucer 60W/120V and UL rated for bulbs up to 60 watts.

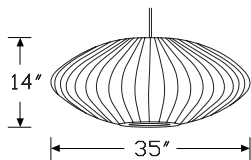
Dimensions



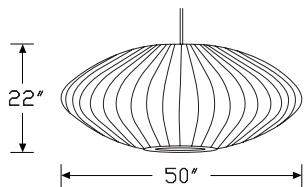
Small



Medium



Large



Extra Large

Specification Information

Step 1.

H763

Step 2. Size

S small
M medium
L large
XL x-large

Prices for Steps 1-2.

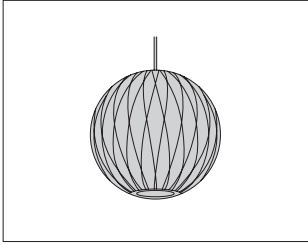
H763S	\$476
H763M	\$595
H763L	\$672
H763XL	\$1417

Step 3. Trim Finish

BNS brushed nickel +\$0

Nelson™ Ball Crisscross Bubble
Pendant

H761C



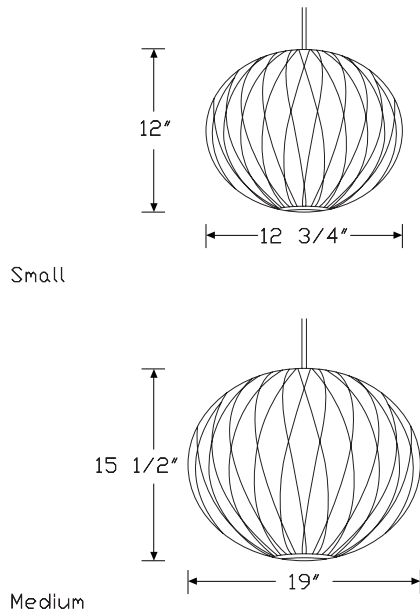
HermanMiller Collection—Lighting

Product Information

Description
The Nelson™ Ball Crisscross Bubble Pendant is available in 2 sizes. Each lamp comes with a 5 1/4" brushed, nickel-plated steel ceiling plate and a 10' cord. Bulb not included. 150W/120V. UL listed.

Notes
UL rated for bulbs up to 150 watts.

Dimensions



Specification Information

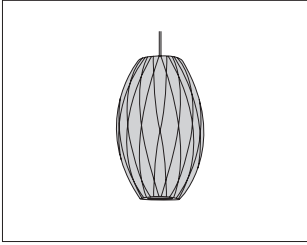
Step 1.
H761CC

Step 2. Size
S small
M medium

Prices for Steps 1-2.
H761CC S \$476
M \$595

Step 3. Trim Finish
BNS brushed nickel +\$0

Nelson™ Cigar Crisscross Bubble Pendant H762C



Product Information

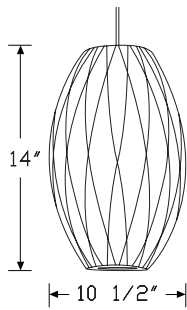
Description

The Nelson™ Cigar Crisscross Bubble Pendant is available in 2 sizes. Each lamp comes with a 5 1/4" brushed, nickel-plated steel ceiling plate and a 10' cord. Bulb not included. 150W/120V. UL listed.

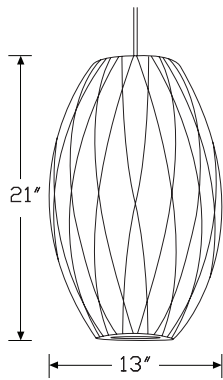
Notes

UL rated for bulbs up to 150 watts.

Dimensions



Small



Medium

Specification Information

Step 1.

H762CC

Step 2. Size

- S** small
- M** medium

Prices for Steps 1-2.

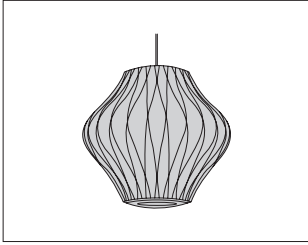
H762CC S	\$476
M	\$595

Step 3. Trim Finish

BNS brushed nickel	+\$0
---------------------------	------

Nelson™ Pear Crisscross Bubble Pendant

H770C



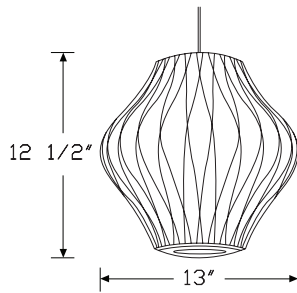
HermanMiller Collection—Lighting

Product Information

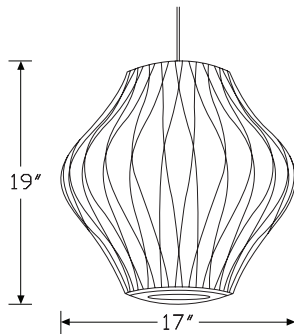
Description
 The Nelson™ Pear Crisscross Bubble Pendant is available in 2 sizes. Each lamp comes with a 5 1/4" brushed, nickel-plated steel ceiling plate and a 10' cord. Bulb not included. 150W/120V. UL listed.

Notes
 UL rated for bulbs up to 150 watts.

Dimensions



Small



Medium

Specification Information

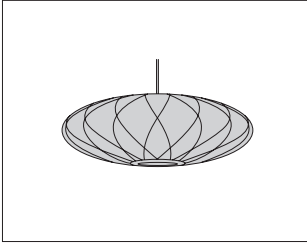
Step 1.
H770CC

Step 2. Size
S small
M medium

Prices for Steps 1-2.
H770CC S \$476
M \$595

Step 3. Trim Finish
BNS brushed nickel +\$0

Nelson™ Saucer Crisscross Bubble H763C Pendant



Product Information

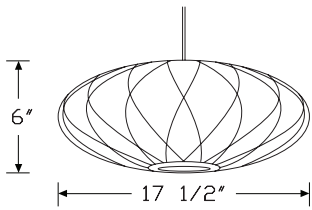
Description

The Nelson™ Saucer Crisscross Bubble Pendant is available in 2 sizes. Each lamp comes with a 5 1/4" brushed, nickel-plated steel ceiling plate and a 10' cord. Bulb not included. 150W/120V for medium saucers; 60W/120V for small saucers. UL listed.

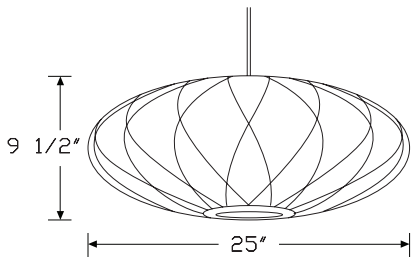
Notes

UL rated for bulbs up to 150 watts; small saucer 60W/120V and UL rated for bulbs up to 60 watts.

Dimensions



Small



Medium

Specification Information

Step 1.

H763CC

Step 2. Size

- S** small
- M** medium

Prices for Steps 1-2.

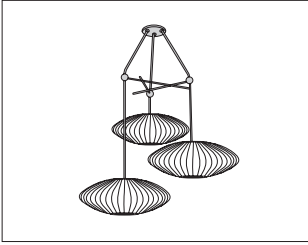
H763CC S	\$476
M	\$595

Step 3. Trim Finish

BNS brushed nickel	+\$0
---------------------------	------

Nelson™ Triple Bubble Lamp
Fixture

B-3-7



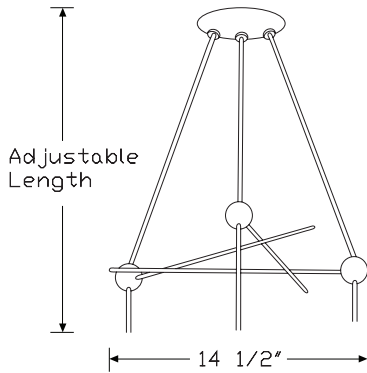
HermanMiller Collection—Lighting

Product Information

Description
This lamp fixture comes with a 5 1/4" brushed, nickel-plated steel ceiling plate for mounting and metal rods with walnut spheres spaced 14 1/2" apart. Nelson™ Bubble lamps with cord are sold separately.

Notes
For use with this fixture, Bubble Lamp pendants should be 19" in diameter or smaller.

Dimensions



Specification Information

Step 1.

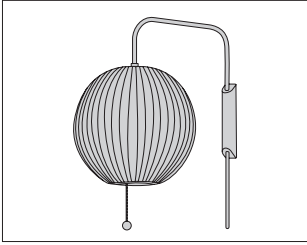
B-3-740 \$348

Step 2. Finish

BNS brushed nickel +\$0

Nelson™ Ball Wall Sconce

H761S



Product Information

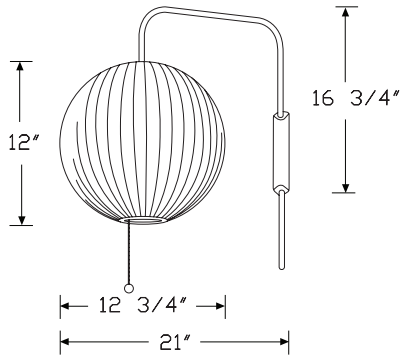
Description

The Nelson™ Ball Wall Sconce has a 2"-thick solid walnut wall mount and a brushed-nickel steel arm that extends out approximately 14". The arm has a swivel hinge and an adjustable 12' plug-in cord with a counterweight that allows for height adjustments. The sconce swivels left-to-right and adjusts vertically without changing its wall-mount position. Ships with bulb included. 150W/120V. UL listed.

Notes

UL rated for bulbs up to 150 watts.

Dimensions



Specification Information

Step 1.

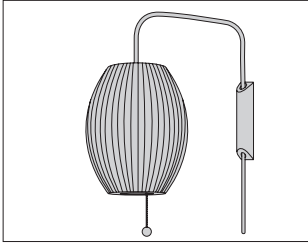
H761SC \$615

Step 2. Bracket Finish

WAL walnut +\$0

Step 3. Arm Finish

BNS brushed nickel +\$0



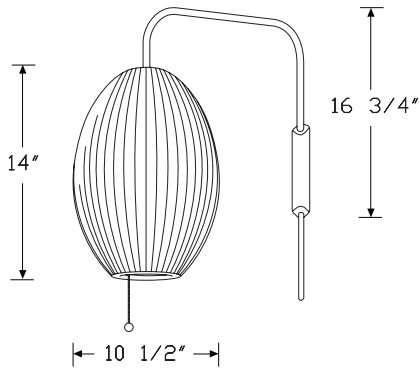
HermanMiller Collection—Lighting

Product Information

Description
 The Nelson™ Cigar Wall Sconce has a 2"-thick solid walnut wall mount and a brushed-nickel steel arm that extends out approximately 14". The arm has a swivel hinge and an adjustable 12' plug-in cord with a counterweight that allows for height adjustments. The sconce swivels left-to-right and adjusts vertically without changing its wall-mount position. Ships with bulb included. 150W/120V. UL listed.

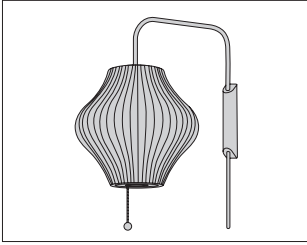
Notes
 UL rated for bulbs up to 150 watts.

Dimensions



Specification Information

Step 1.	
H762SC	\$615
Step 2. Bracket Finish	
WAL walnut	+\$0
Step 3. Arm Finish	
BNS brushed nickel	+\$0



Product Information

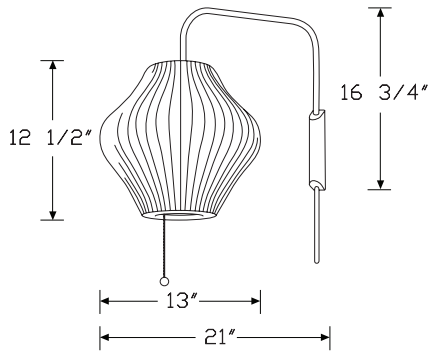
Description

The Nelson™ Pear Wall Sconce has a 2"-thick solid walnut wall mount and a brushed-nickel steel arm that extends out approximately 14". The arm has a swivel hinge and an adjustable 12' plug-in cord with a counterweight that allows for height adjustments. The sconce swivels left-to-right and adjusts vertically without changing its wall-mount position. Ships with bulb included. 150W/120V. UL listed.

Notes

UL rated for bulbs up to 150 watts.

Dimensions



Specification Information

Step 1.

H770SC \$615

Step 2. Bracket Finish

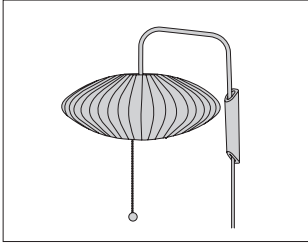
WAL walnut +\$0

Step 3. Arm Finish

BNS brushed nickel +\$0

Nelson™ Saucer Wall Sconce

H763S



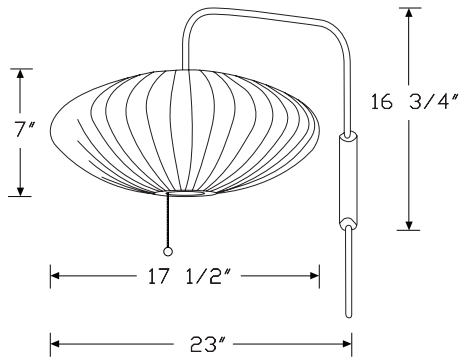
HermanMiller Collection—Lighting

Product Information

Description
 The Nelson™ Saucer Wall Sconce has a 2"-thick solid walnut wall mount and a brushed-nickel steel arm that extends out approximately 14". The arm has a swivel hinge and an adjustable 12' plug-in cord with a counterweight that allows for height adjustments. The sconce swivels left-to-right and adjusts vertically without changing its wall-mount position. Ships with bulb included. 60W/120V. UL listed.

Notes
 UL rated for bulbs up to 60 watts.

Dimensions

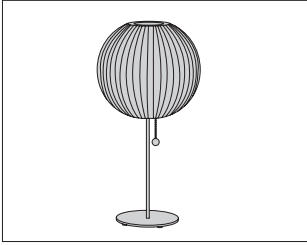


Specification Information

Step 1.	
H763SC	\$615
Step 2. Bracket Finish	
WAL walnut	+\$0
Step 3. Arm Finish	
BNS brushed nickel	+\$0

Nelson™ Ball Lotus Table Lamp

H761L

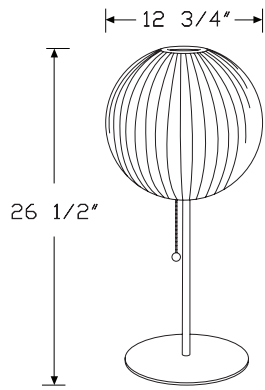


Product Information

Description

The Nelson™ Ball Lotus Table Lamp has an 8"-diameter brushed nickel-plated steel base available with or without a walnut cover. The lamp has an on/off pull chain with a solid walnut end. Cord is 86" long. 150W/120V. Ships with bulb included.

Dimensions



Specification Information

Step 1.

H761LT A

Step 2. Size

S small A

Prices for Steps 1-2.

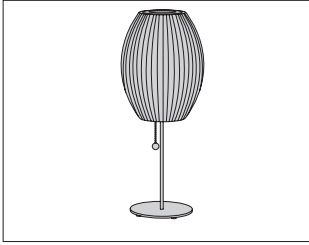
H761LT S \$580

Step 3. Base Finish

BNS brushed nickel A +\$0

WAL walnut A +\$100

Nelson™ Cigar Lotus Table Lamp H762L

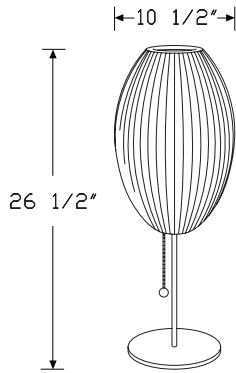


HermanMiller Collection—Lighting

Product Information

Description
 The Nelson™ Cigar Lotus Table Lamp has an 8"-diameter brushed nickel-plated steel base available with or without a walnut cover. The lamp has an on/off pull chain with a solid walnut end. Cord is 86" long. 150W/120V. Ships with bulb included.

Dimensions



Specification Information

Step 1.

H762LT A

Step 2. Size

S small A

Prices for Steps 1-2.

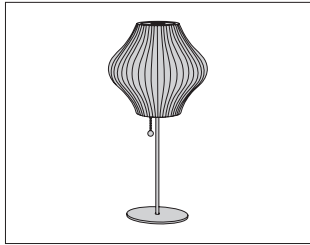
H762LT S \$580

Step 3. Base Finish

BNS brushed nickel A +\$0

WAL walnut A +\$100

Nelson™ Pear Lotus Table Lamp H770L

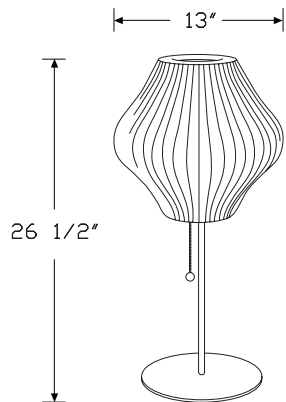


Product Information

Description

The Nelson™ Pear Lotus Table Lamp has an 8"-diameter brushed nickel-plated steel base available with or without a walnut cover. The lamp has an on/off pull chain with a solid walnut end. Cord is 86" long. 150W/120V. Ships with bulb included.

Dimensions



Specification Information

Step 1.

H770LT A

Step 2. Size

S small A

Prices for Steps 1-2.

H770LT S \$580

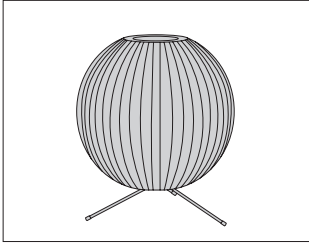
Step 3. Base Finish

BNS brushed nickel A +\$0

WAL walnut A +\$100

Nelson™ Ball Tripod Lamp

H761T



HermanMiller Collection—Lighting

Product Information

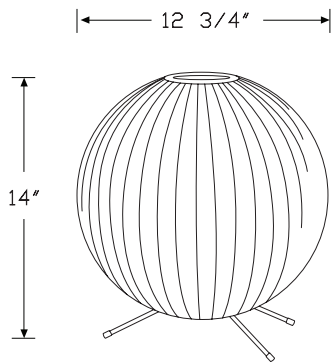
Description

The Nelson™ Ball Tripod Lamp has a durable, brushed nickel-plated steel stand, an on/off switch, and a 90" cord. Ships with bulb included. 150W/120V. UL listed.

Notes

UL rated for bulbs up to 150 watts.

Dimensions



Specification Information

Step 1.

H761T

Step 2. Size

S small

Prices for Steps 1-2.

H761T S \$528

Step 3. Base Finish

BNS brushed nickel +\$0

Nelson™ Cigar Tripod Lamp

H762T



Product Information

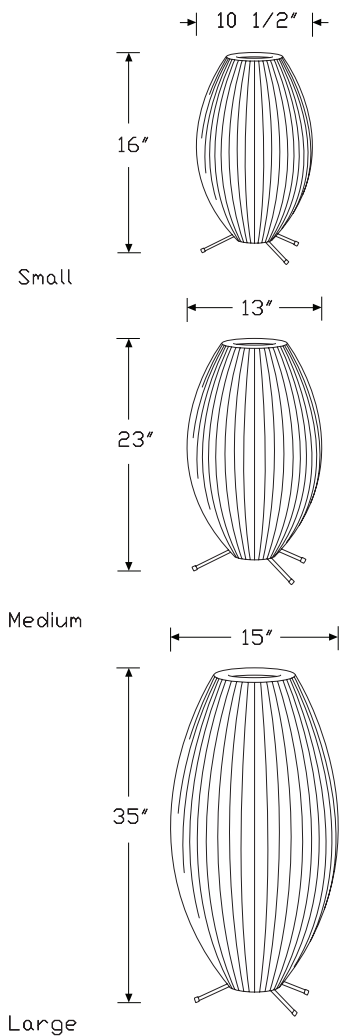
Description

The Nelson™ Cigar Tripod Lamp is available in 3 sizes. It has a durable, brushed nickel-plated steel stand, an on/off switch, and a 90" cord. Ships with bulb included. 150W/120V. UL listed.

Notes

UL rated for bulbs up to 150 watts.

Dimensions



Specification Information

Step 1.

H762T

Step 2. Size

- S** small
- M** medium
- L** large

Prices for Steps 1-2.

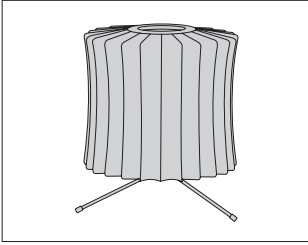
H762T S	\$528
M	\$647
L	\$730

Step 3. Base Finish

BNS brushed nickel	+ \$0
---------------------------	-------

Nelson™ Lantern Tripod Lamp

H737T



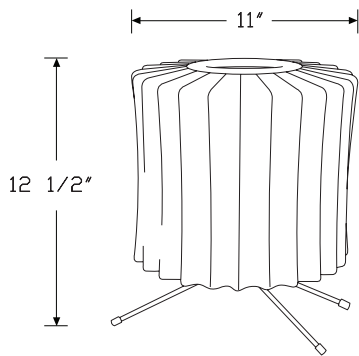
HermanMiller Collection—Lighting

Product Information

Description
 The Nelson™ Lantern Tripod Lamp has a durable, brushed nickel-plated steel stand, an on/off switch, and a 90" cord. Ships with bulb included. 150W/120V. UL listed.

Notes
 UL rated for bulbs up to 150 watts.

Dimensions



Specification Information

Step 1.

H737T

Step 2. Size

S small

Prices for Steps 1-2.

H737T S \$528

Step 3. Base Finish

BNS brushed nickel +\$0

Nelson™ Pear Tripod Lamp

H770T



Product Information

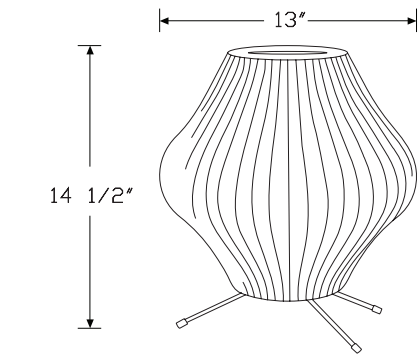
Description

The Nelson™ Pear Tripod Lamp is available in 2 sizes. It has a durable, brushed nickel-plated steel stand, an on/off switch, and a 90" cord. Ships with bulb included. 150W/120V. UL listed.

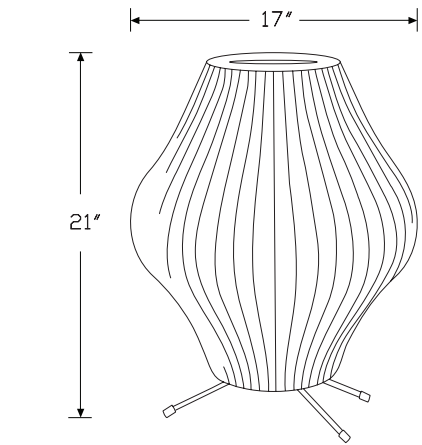
Notes

UL rated for bulbs up to 150 watts.

Dimensions



Small



Medium

Specification Information

Step 1.

H770T

Step 2. Size

S small
M medium

Prices for Steps 1-2.

H770T S	\$528
M	\$647

Step 3. Base Finish

BNS brushed nickel	+ \$0
---------------------------	-------

Nelson™ Cigar Lotus Floor Lamp H762L

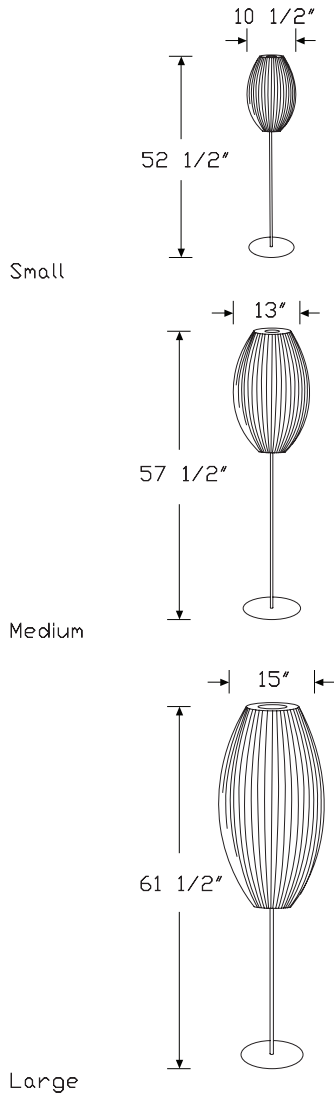


HermanMiller Collection—Lighting

Product Information

Description
 The Nelson™ Cigar Lotus Floor Lamp is available in 3 sizes. It has a 10"-diameter brushed nickel-plated steel stand with a 6½-pound base for stability, available with or without a walnut cover. The lamp has an on/off floor switch and a 9' cord. Ships with bulb included. 150W/120V.

Dimensions



Specification Information

Step 1.

H762LF A

Step 2. Size

S small A

M medium A

L large A

Prices for Steps 1-2.

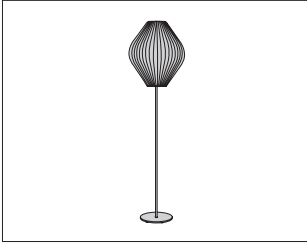
H762LF S	\$672
M	\$802
L	\$879

Step 3. Base Finish

BNS brushed nickel <input type="checkbox"/> A	+\$0
WAL walnut <input type="checkbox"/> A	+\$100

Nelson™ Pear Lotus Floor Lamp

H770L

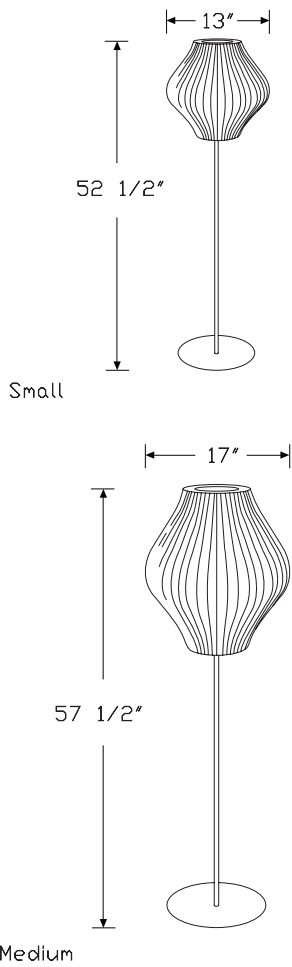


Product Information

Description

The Nelson™ Pear Lotus Floor Lamp is available in 2 sizes. It has a 10"-diameter brushed nickel-plated steel stand with a 6½-pound base for stability, available with or without a walnut cover. Base is brushed nickel and comes with or without a walnut cover. The lamp has an on/off floor switch and a 9' cord. Ships with bulb included. 150W/120V.

Dimensions



Specification Information

Step 1.

H770LF A

Step 2. Size

S small A

M medium A

Prices for Steps 1-2.

H770LF S \$672

M \$802

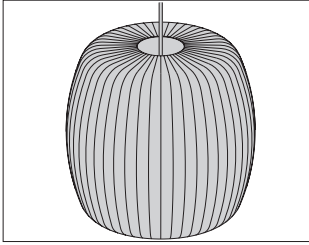
Step 3. Base Finish

BNS brushed nickel A +\$0

WAL walnut A +\$100

Nelson™ Roll Bubble Pendant

H764M



HermanMiller Collection—Lighting

Product Information

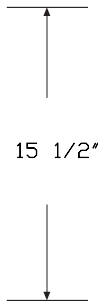
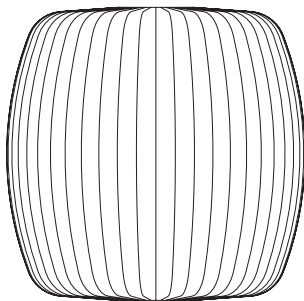
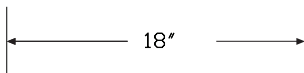
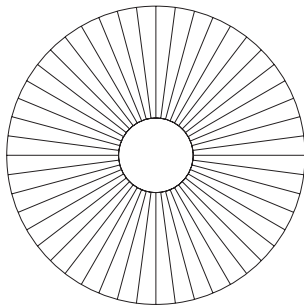
Description

The Nelson™ Roll Bubble Pendant comes with a 5 1/4" brushed, nickel-plated steel ceiling plate and a 10' cord. Bulb not included. 150W/120V. UL listed.

Notes

UL rated for bulbs up to 150 watts.

Dimensions



Specification Information

Step 1.

H764

Step 2. Size

M medium

Prices for Steps 1-2.

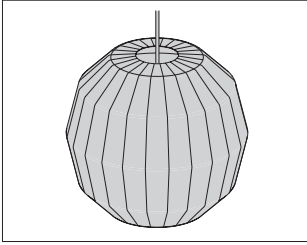
H764M \$595

Step 3. Trim Finish

BNS brushed nickel +\$0

Nelson™ Angled Bubble Pendant

H769L
H769M
H769S



Product Information

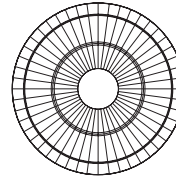
Description

The Nelson™ Angled Sphere Bubble Pendant is available in 3 sizes. Each lamp comes with a 5 3/4" brushed, nickel-plated steel ceiling plate and a 10' cord. Bulb not included. 150W/120V. UL listed.

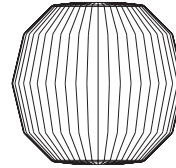
Notes

UL rated for bulbs up to 150 watts.

Dimensions



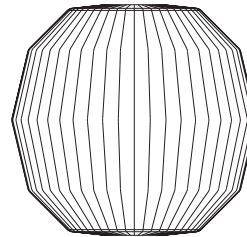
14"



9 1/2"

Small

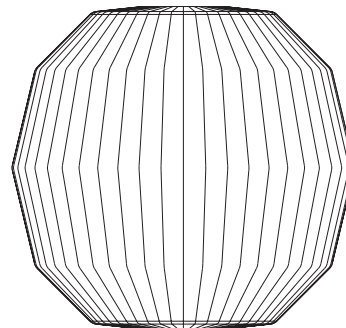
20"



15"

Medium

28"



22"

Large

Nelson™ Angled Bubble Pendant

continued

HermanMiller Collection—Lighting

Specification Information

Step 1.

H769

Step 2. Size

S small

M medium

L large

Prices for Steps 1-2.

H769S \$475

H769M \$595

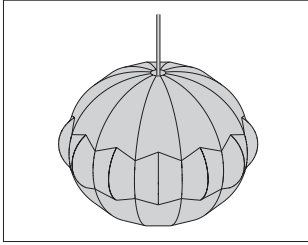
H769L \$672

Step 3. Trim Finish

BNS brushed nickel +\$0

Nelson™ Orbit Bubble Pendant

H771M
H771S



Product Information

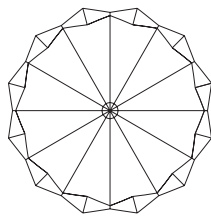
Description

The Nelson™ Orbit Bubble Pendant is available in 2 sizes. Each lamp comes with a 5 1/4" brushed, nickel-plated steel ceiling plate and a 10' cord. Bulb not included. 150W/120V. UL listed.

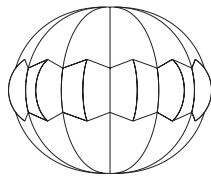
Notes

UL rated for bulbs up to 150 watts.

Dimensions



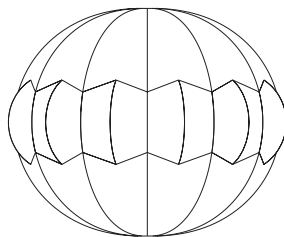
14"



9.5"

Small

20"



16"

Medium

Specification Information

Step 1.

H771

Step 2. Size

S small
M medium

Prices for Steps 1-2.

H771S \$475
H771M \$595

Step 3. Trim Finish

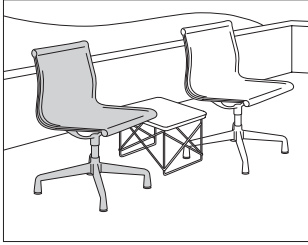
BNS brushed nickel +\$0

Seating

Tables

Eames® Aluminum Group Side
Chair Outdoor

EA506
EA508

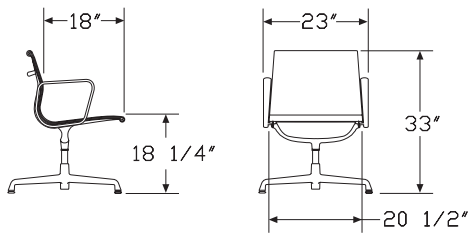


Product Information

Description

This outdoor low back side chair has a lightweight aluminum frame and suspended mesh upholstery. It has a 4-star base with adjustable glides. The chair is available with or without arms.

Dimensions



Specification Information

Step 1.

EA50 A

Step 2. Arms

6 no arms A

8 arms A

Step 3. Swivel

S swivel base A

F fixed base, no swivel A

Prices for Steps 1-3.

EA506 S	\$1307
F	\$1391

EA508 S	\$1729
F	\$1813

Step 4. Base/Frame Finish

BK black A + \$91

91 white A + \$91

Step 5. Fabric

Price Category 6 + \$185

Eames® Wire Chair Outdoor

DKQR.
DKQX.



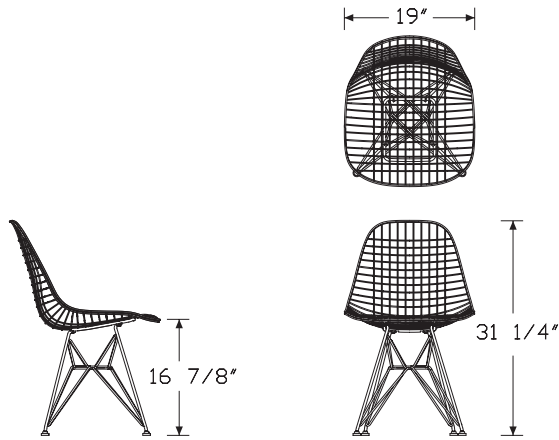
HermanMiller Collection—Outdoor Seating

Product Information

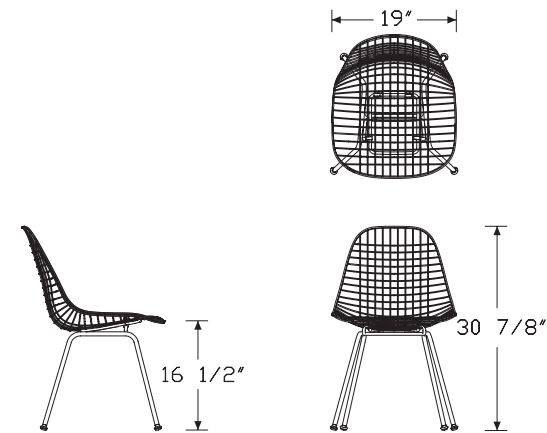
Description

This outdoor chair has a wire shell with wire base or 4-leg base. Finish is white or black. Chair comes with standard outdoor glides.

Dimensions



Wire Base



4-Leg Base

Specification Information

Step 1.

DKQ A

Step 2. Base

R.0 wire base A

X.0 4 leg base A

Prices for Steps 1-2.

DKQR.0 \$912

DKQX.0 \$877

Step 3. Seat Frame/Leg Finish

91 white A +\$0

BK black A +\$0

Step 4. Glide Option

E8 standard glide A +\$0

Eames® Wire Stool Outdoor

DKHQBX
DKHQCX

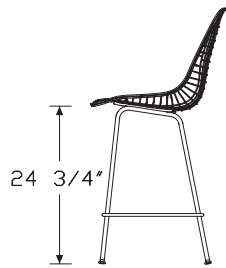
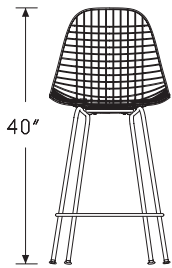
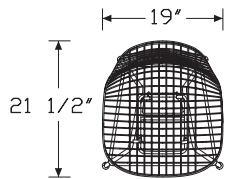


Product Information

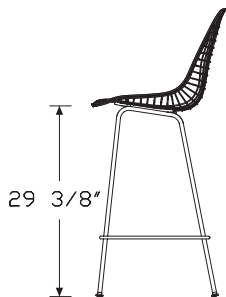
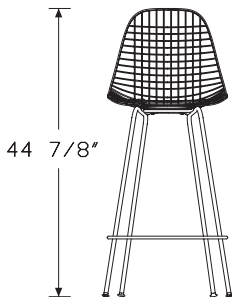
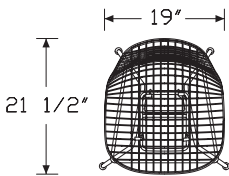
Description

This outdoor stool has a wire shell and is available in bar height or counter height. Finish is white or black. Stool comes with standard outdoor glides.

Dimensions



Counter Height



Bar Height

Specification Information

Step 1.

DKHQ A

Step 2. Base Height

BX. bar height stool A

CX. counter height stool A

Prices for Steps 1-2.

DKHQBX.	\$1165
DKHQCX.	\$1145

Step 3. Seat Frame/Leg Finish

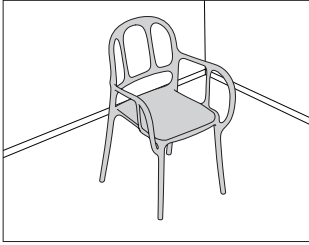
91 white <input type="checkbox"/> A	+ \$0
BK black <input type="checkbox"/> A	+ \$0

Step 4. Glide Option

E8 standard glide <input type="checkbox"/> A	+ \$0
---	-------

Mila Chair

XXSD2



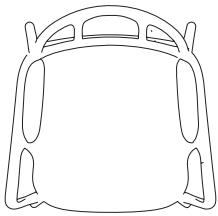
HermanMiller Collection—Outdoor Seating

Product Information

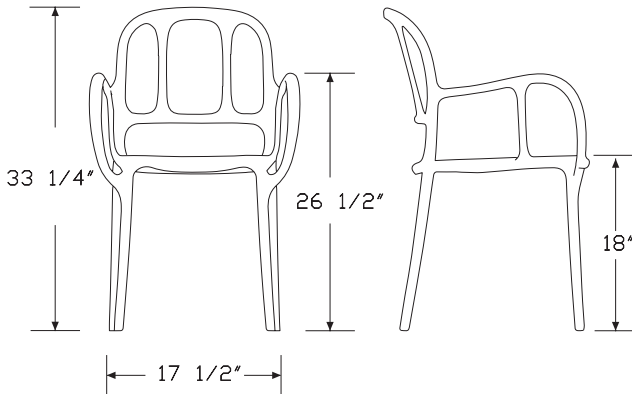
Description

This stacking plastic chair is suitable for indoor or outdoor use. Stacks up to 6 high. Package contains 2 chairs.

Dimensions



← 21 3/4" →



Specification Information

Step 1.

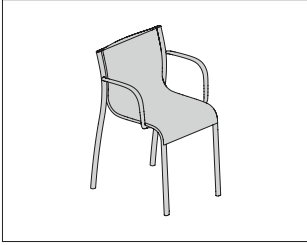
XXSD2100 A \$778

Step 2. Finish

- 1484C** red A +\$0
- 1556C** dark green A +\$0
- 1666C** yellow A +\$0
- 1733C** beige A +\$0
- 1738C** white A +\$0
- 1769C** black A +\$0

Paso Doble Chair Outdoor

MGP10.

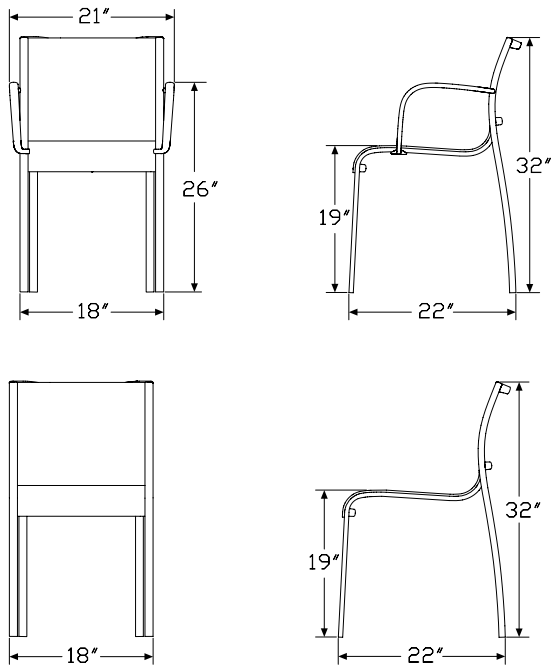


Product Information

Description

This outdoor stacking chair has an aluminum frame and is available with or without arms. The arms and crosspieces come in die-cast aluminum. Chairs can stack up to 5 high. Package contains 2 chairs.

Dimensions



Specification Information

Step 1.

MGP10. A

Step 2. Arms

N no arms A

A arms A

Prices for Steps 1-2.

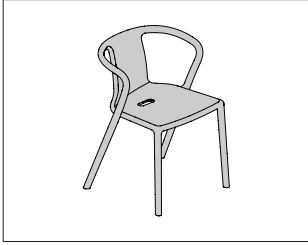
MGP10.N	\$1315
A	\$1815

Step 3. Chair Color

YKB black <input type="checkbox"/> A	+\$0
---	------

Air-Chair

MGA00.



HermanMiller Collection—Outdoor Seating

Product Information

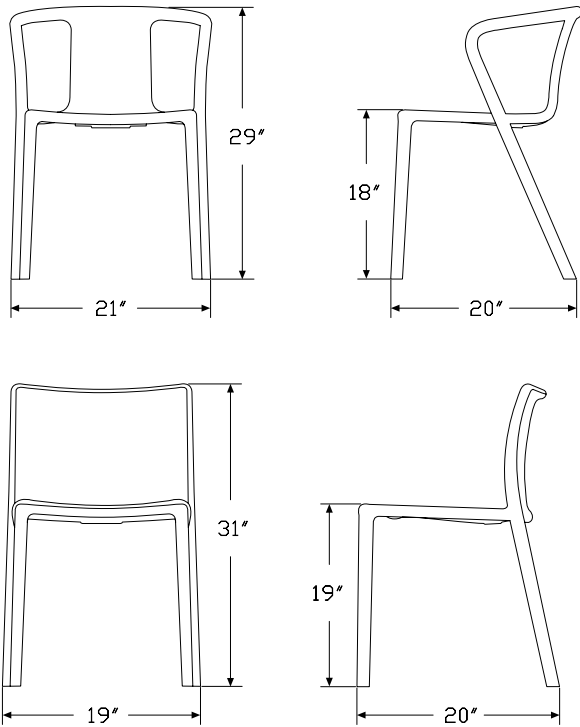
Description

This stacking chair is available with or without arms and is made from polypropylene with glass fibre added. Chairs can stack up to 10 high. Package contains 4 chairs.

Notes

This chair is suitable for outdoor use.

Dimensions



Specification Information

Step 1.

MGA00.

Step 2. Arms

- N** no arms
- A** arms

Prices for Steps 1-2.

MGA00.N	\$773
A	\$858

Step 3. Finish

For no arms (N)

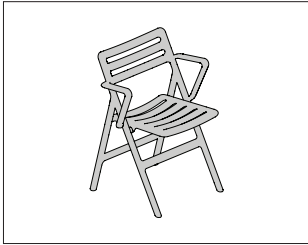
YBB beige <input type="checkbox"/> A	+\$0
YBC black	+\$0
YBH green <input type="checkbox"/> A	+\$0
YBM orange <input type="checkbox"/> A	+\$0
YBP white <input type="checkbox"/> A	+\$0
PWH pure white <input type="checkbox"/> A	+\$0

For arms (A)

YBB beige <input type="checkbox"/> A	+\$0
YBH green <input type="checkbox"/> A	+\$0
YBJ grey anthracite <input type="checkbox"/> A	+\$0
YBM orange <input type="checkbox"/> A	+\$0
YBP white <input type="checkbox"/> A	+\$0
PWH pure white	+\$0

Air-Folding Chair

MGA01.



Product Information

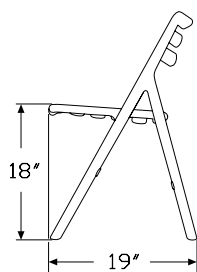
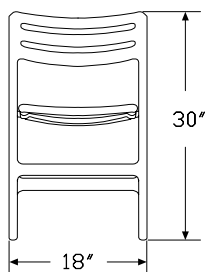
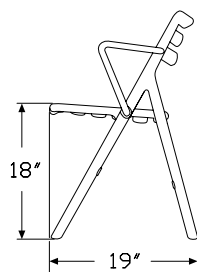
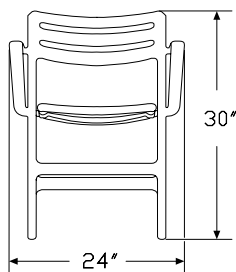
Description

This folding chair is made from polypropylene with glass fibre added. It is available with or without arms. Package contains 2 chairs.

Notes

This chair is suitable for outdoor use.

Dimensions



Specification Information

Step 1.

MGA01. A

Step 2. Arms

N no arms A

A arms A

Prices for Steps 1-2.

MGA01.N	\$428
A	\$474

Step 3. Finish

For no arms (N)

YBH green <input type="checkbox"/> A	+\$0
YBM orange <input type="checkbox"/> A	+\$0
YBP white <input type="checkbox"/> A	+\$0

For arms (A)

YBP white <input type="checkbox"/> A	+\$0
---	------

Chair_One Stacking Base

MGE00.



HermanMiller Collection—Outdoor Seating

Product Information

Description

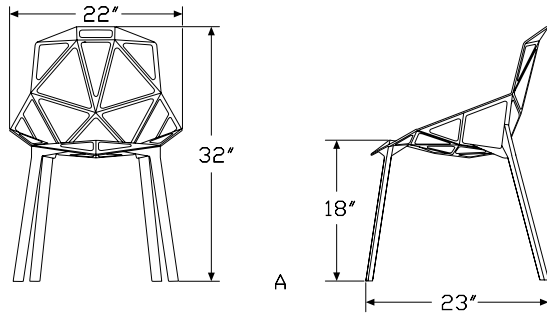
This chair comes with a four-leg base. Chairs can stack up to 8 high. Package contains 2 chairs.

Notes

Chairs with painted aluminum seat and legs or painted aluminum seat/ polished aluminum legs are suitable for outdoor use.

Chairs with polished aluminum seat and legs (AL) are NOT suitable for outdoor use.

Dimensions



Specification Information

Step 1.

MGE00.A [A]

Step 2. Seat/Leg Material

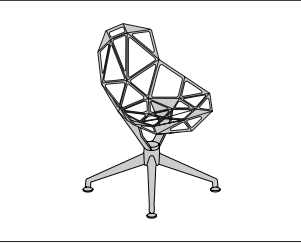
PA painted aluminum seat and legs [A]

Prices for Steps 1-2.

MGE00.A PA \$1150

Step 3. Seat Finish

- YHB** black [A] +\$0
- YHP** white [A] +\$0
- HAA** ADAPTA grey [A] +\$240
- HAB** ADAPTA white [A] +\$240
- HAC** ADAPTA grey/green [A] +\$240
- HAD** ADAPTA blue [A] +\$240



Product Information

Description

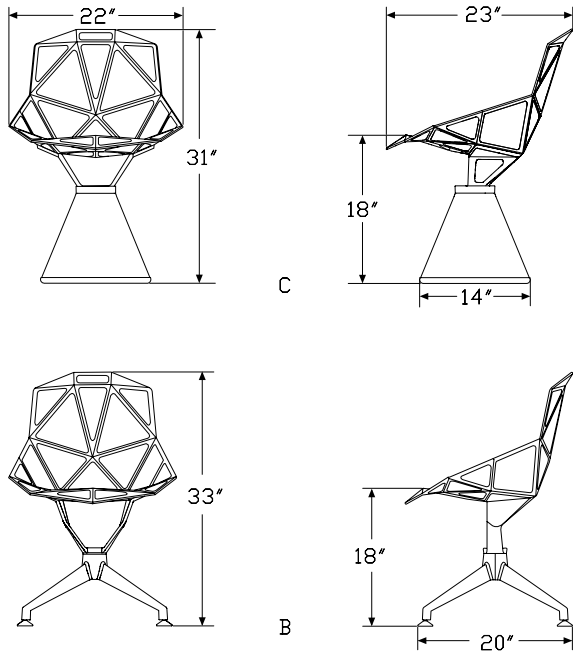
This chair is available with a four-star or concrete base, with or without swivel.

Notes

Chairs with painted aluminum seat and legs (PA), painted aluminum seat and concrete base (PC) or painted aluminum seat and black concrete base (PE) are suitable for outdoor use.

Chairs with polished aluminum seat and legs (AL) or polished aluminum with concrete base (PD) are NOT suitable for outdoor use.

Dimensions



Specification Information

Step 1.

MGE00. [A]

Step 2. Base

- B** 4-star base [A]
- C** concrete base [A]
- D** 4-star base, swivel [A]
- E** concrete base, swivel [A]
- F** black concrete base [A]
- G** black concrete, swivel [A]

Step 3. Seat/Leg Material

For 4-star base (B) or 4-star base, swivel (D)

PA painted aluminum seat and legs [A]

For concrete base (C) or concrete base, swivel (E)

PC painted aluminum seat/natural concrete base [A]

For black concrete base (F) or black concrete, swivel (G)

PE painted aluminum seat/black concrete base [A]

Prices for Steps 1-3.

	PA	PC	PE
MGE00.B	\$730	—	—
C	—	\$870	—
D	\$730	—	—
E	—	\$1130	—
F	—	—	\$870
G	—	—	\$1130

Step 4. Seat Finish

For 4-star base (B) or 4-star base, swivel (D) with painted aluminum seat and legs (PA)

YHB black [A]	+\$0
YHP white [A]	+\$0
HAA ADAPTA grey [A]	+\$240
HAB ADAPTA white [A]	+\$240
HAC ADAPTA grey/green [A]	+\$240
HAD ADAPTA blue [A]	+\$240

For concrete base (C) or concrete base, swivel (E) with painted aluminum seat/natural concrete base (PC)

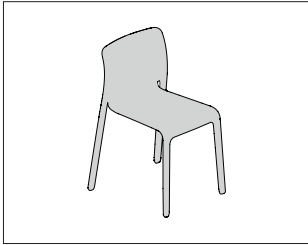
YHB	black	<input type="checkbox"/> A	+\$0
YHM	red	<input type="checkbox"/> A	+\$0
YHP	white	<input type="checkbox"/> A	+\$0
HAA	ADAPTA grey	<input type="checkbox"/> A	+\$200
HAB	ADAPTA white	<input type="checkbox"/> A	+\$200
HAC	ADAPTA grey/green	<input type="checkbox"/> A	+\$200
HAD	ADAPTA blue	<input type="checkbox"/> A	+\$200

For black concrete base (F) or black concrete, swivel (G) with painted aluminum seat/black concrete base (PE)

YHB	black	<input type="checkbox"/> A	+\$0
------------	-------	----------------------------	------

Chair First

MGF00.



Product Information

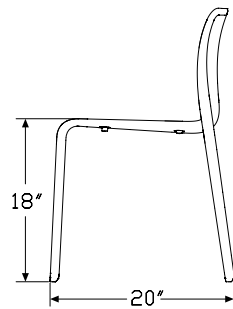
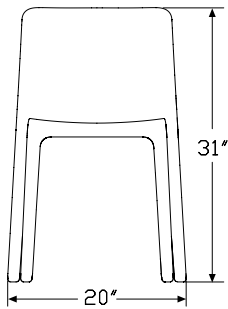
Description

This stacking chair is made from polypropylene with glass fibre added. Chairs can stack up to 10 high. Package contains 4 chairs.

Notes

Chair is suitable for outdoor use.

Dimensions



Specification Information

Step 1.

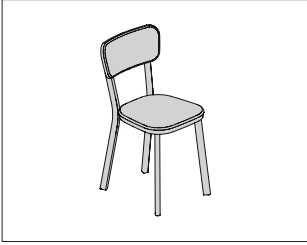
MGF00. A \$1091

Step 2. Finish

YGB beige A +\$0
YGC black A +\$0
YGH olive green A +\$0
YGM white A +\$0
YM1 mustard A +\$0
YM2 terracotta A +\$0

Deja-Vu Chair

MGD00.



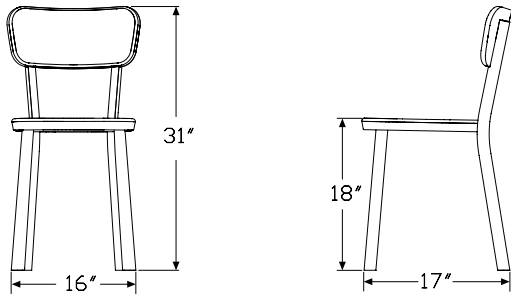
HermanMiller Collection—Outdoor Seating

Product Information

Description
This chair is available in polished or painted aluminum. Painted version is suitable for outdoor use.

Notes
Seat and inner back material is die-cast aluminum. Legs are extruded aluminum.
Painted aluminum (PA) finish is suitable for outdoor use.
Polished aluminum (AL) finish is NOT suitable for outdoor use.

Dimensions



Specification Information

Step 1.

MGD00. A

Step 2. Finish

AL polished aluminum A
PA painted aluminum

Prices for Steps 1-2.

MGD00.AL \$755
PA \$809

Step 3. Leg/Seat/Back Finish

For polished aluminum (AL)

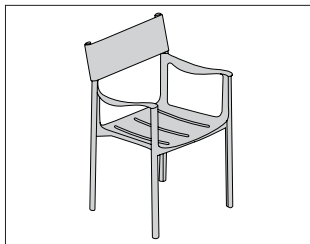
YFD polished aluminum A +\$0

For painted aluminum (PA)

YFB black A +\$0
YLT red purple A +\$0
YLV sand beige A +\$0

Venice Chair

MGU00.



Product Information

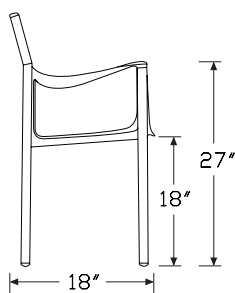
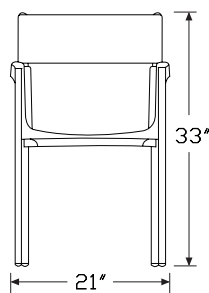
Description

This stacking chair with arms has a seat of die-cast aluminum, polished or painted in polyester powder. Legs are extruded aluminum, polished or painted in polyester powder. Back is thermoplastic rubber or leather. Chairs stack up to 6 high. Painted frame is suitable for outdoor use. Sold in sets of 2 only.

Notes

Polished (YCD) frame is NOT suitable for outdoor use.

Dimensions



Specification Information

Step 1.

MGU00. A \$1431

Step 2. Frame Finish

YNG black A +\$0

YCD polished A +\$1300

Step 3. Seat Finish

For black (YNG)

YBC black A +\$0

YMP grey A +\$0

YBH green A +\$0

YMN light blue A +\$0

YBG fuchsia A +\$0

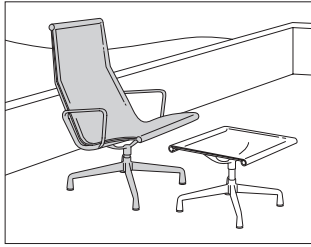
YBM orange A +\$0

For polished (YCD)

YHC black leather A +\$0

YHK natural leather A +\$0

Eames® Aluminum Group Lounge Chair Outdoor EA516



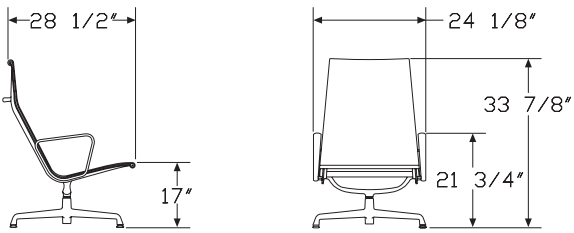
HermanMiller Collection—Outdoor Seating

Product Information

Description

This outdoor lounge chair has a lightweight aluminum frame and suspended mesh upholstery. It has a 4-star swiveling base with adjustable glides.

Dimensions



Specification Information

Step 1.

EA516 A \$2002

Step 2. Base/Frame Finish

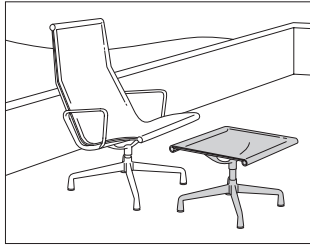
BK black A +\$140
91 white A +\$140

Step 3. Fabric

Price Category 6 +\$244

Eames® Aluminum Group
Ottoman Outdoor

EA523

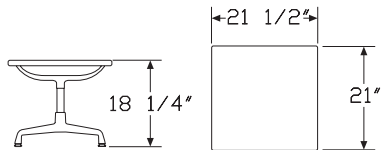


Product Information

Description

This outdoor ottoman has a lightweight aluminum frame and suspended mesh upholstery. It has a 4-star base with adjustable glides.

Dimensions



Specification Information

Step 1.

EA523 A \$960

Step 2. Base/Frame Finish

BK black A +\$72

91 white A +\$72

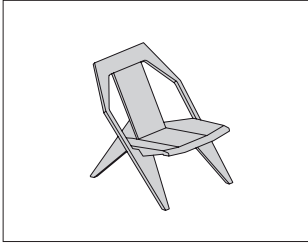
Step 3. Fabric

Price Category 6 +\$129

Herman Miller Collection—Outdoor Seating

Medici Chair Outdoor

MGM01.



Herman Miller Collection—Outdoor Seating

Product Information

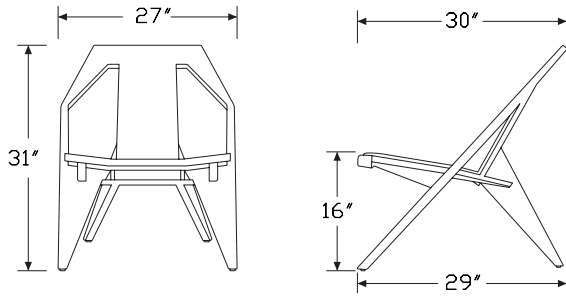
Description

This solid wood chair with armrests is available in natural thermo oiled finish. Suitable for outdoor use.

Notes

Product should be oiled at least once a year to maintain finish quality. Refer to care and maintenance instructions for applying oil based finishes.

Dimensions



Specification Information

Step 1.

MGM01.

Step 3. Frame Finish

ZQK natural thermo oiled

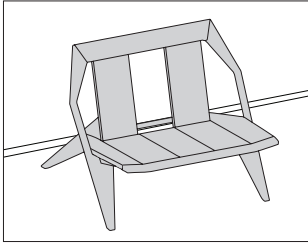
Prices for Steps 1-3.

MGM01.ZQK

\$1895

Medici Bench Outdoor

MGM21.



Product Information

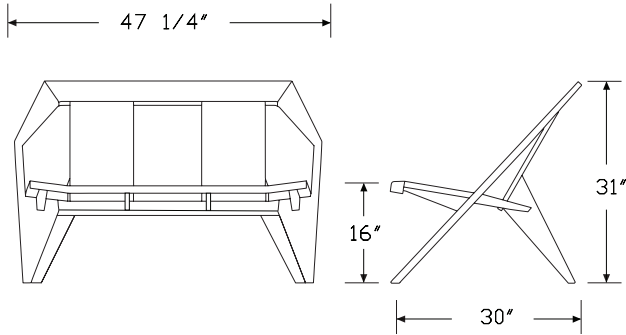
Description

This solid wood bench comes in natural thermo oiled finish. Suitable for outdoor use.

Notes

Product should be oiled at least once per year to maintain finish quality. Refer to care and maintenance instructions for applying oil based finishes.

Dimensions



Specification Information

Step 1.

MGM21. [A]

Step 2. Frame Finish

ZQK natural thermo oiled [A]

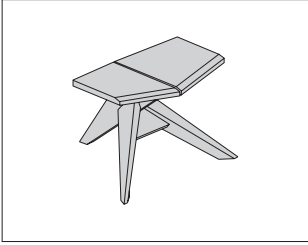
Prices for Steps 1-2.

MGM21.ZQK

\$3795

Medici Ottoman Outdoor

MGV21.



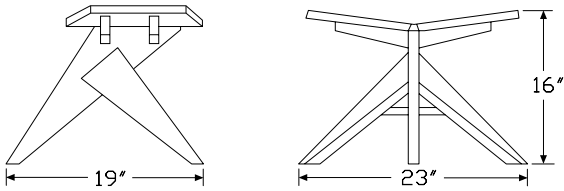
HermanMiller Collection—Outdoor Seating

Product Information

Description
This solid wood stool is available in natural thermo oiled finish. Suitable for outdoor use.

Notes
Product should be oiled at least once a year to maintain finish quality. Refer to care and maintenance instructions for applying oil based finishes.

Dimensions



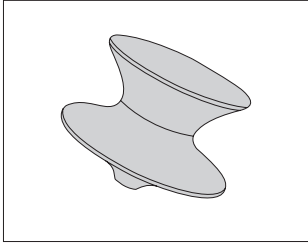
Specification Information

Step 1.
MGV21. [A] \$1012

Step 2. Frame Finish
ZQK natural thermo oiled [A] +\$0

Spun Rotating Chair

MGN00.

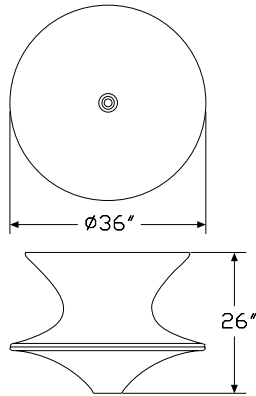


Product Information

Description

This rotating low chair is made from polyethylene and is suitable for outdoor use.

Dimensions



Specification Information

Step 1.

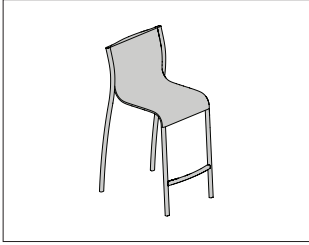
MGN00. \$825

Step 2. Finish

YLB	dark purple	A	+\$0
YLD	red		+\$0
YLG	white	A	+\$0
YLH	grey anthracite		+\$0

Paso Doble Stool Outdoor

MGP30.



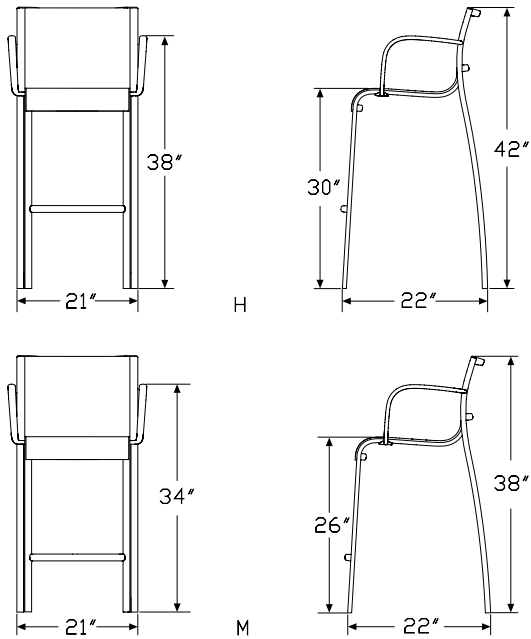
HermanMiller Collection—Outdoor Seating

Product Information

Description

This outdoor stacking bar stool comes in high and medium height and is available with or without arms. The frame is aluminum, and the arms, crosspieces, and footrest are die-cast aluminum. Bar stools can stack up to 6 high. Package contains 2 bar stools.

Dimensions



Specification Information

Step 1.

MGP30. A

Step 2. Height

H high height A

M medium height A

Step 3. Arms

N no arms A

A arms A

Prices for Steps 1-3.

	N	A
MGP30.H	\$1531	2028
M	\$1482	1966

Step 4. Stool Color

YKB black A + \$0



Product Information

Description

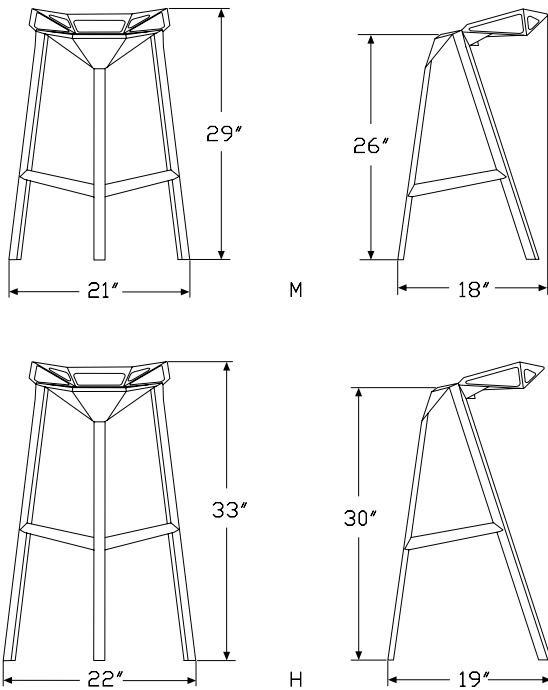
This bar stool comes in a high and medium height. The seat and leg finishes available are painted aluminum, polished aluminum and anodized aluminum black. Bar stools can stack up to 4 high. Package contains 2 bar stools.

Notes

Stool is flame retardant.

Polished aluminum (AL) finish is NOT suitable for outdoor use.

Dimensions



Specification Information

Step 1.

MGE20. [A]

Step 2. Height

M medium height [A]

H high height [A]

Step 3. Seat/Leg Material

AM painted aluminum [A]

AB anodized aluminum black [A]

AL polished aluminum [A]

Prices for Steps 1-3.

	AM	AB	AL
MGE20.M	\$965	1017	1545
H	\$1028	1071	1609

Step 4. Seat/Leg Finish

For painted aluminum (AM)

YHM red [A]			+\$0
YHP white [A]			+\$0
HAA ADAPTA grey [A]			+\$240
HAB ADAPTA white [A]			+\$240
HAC ADAPTA grey/green [A]			+\$240
HAD ADAPTA blue [A]			+\$240

For anodized aluminum black (AB)

YHB black [A]			+\$0
----------------------	--	--	------

For anodized aluminum black (AB)

YHB black [A]			+\$0
----------------------	--	--	------

Deja-Vu Stool

MGD20.



HermanMiller Collection—Outdoor Seating

Product Information

Description

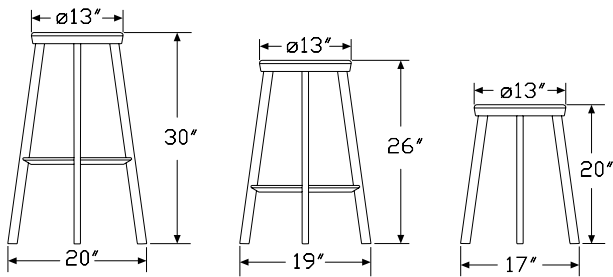
This bar stool is available in a high, medium, and low height. The seat and leg finishes are available in black, white, polished aluminum, red purple and sand beige.

Notes

Black (YFB) finish is suitable for outdoor use.

Polished aluminum (YFD) finish is NOT suitable for outdoor use.

Dimensions



Specification Information

Step 1.

MGD20. A

Step 2. Height

L low height A

M medium height

H high height

Prices for Steps 1-2.

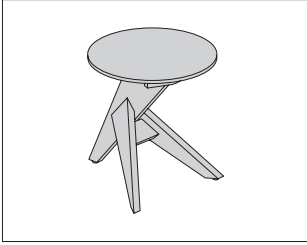
MGD20.L	\$389
M	\$511
H	\$533

Step 3. Seat/Leg Finish

		L	M	H
YFB	black <input type="checkbox"/> A	+\$0	0	0
YFD	polished aluminum <input type="checkbox"/> A	+\$101	102	92
YLT	red purple <input type="checkbox"/> A	+\$0	0	0
YLV	sand beige <input type="checkbox"/> A	+\$0	0	0

Medici Table Outdoor

MGV71.



Product Information

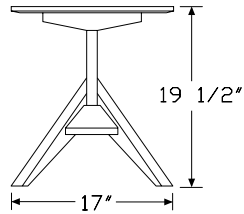
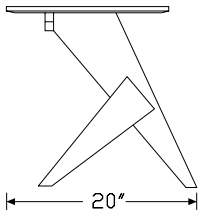
Description

This solid wood table is available in natural thermo oiled finish. Suitable for outdoor use.

Notes

Product should be oiled at least once a year to maintain finish quality. Refer to care and maintenance instructions for applying oil based finishes.

Dimensions



Specification Information

Step 1.

MGV71. [A] \$1078

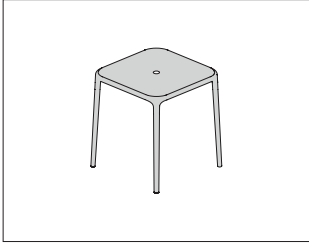
Step 2. Frame Finish

ZQK natural thermo oiled [A] +\$0

HermanMiller Collection—Outdoor Tables

Air-Table

MGA70.



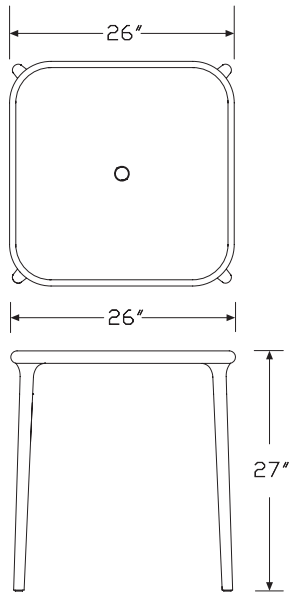
HermanMiller Collection—Outdoor Tables

Product Information

Description
 This stacking and KD table is made from polypropylene with glass fibre added. It is available in a triangle or square shape. Tables can stack up to 5 high.

Notes
 This table is suitable for outdoor use.

Dimensions



Specification Information

Step 1.

MGA70. A

Step 2. Shape

S square A

Prices for Steps 1-2.

MGA70.S \$420

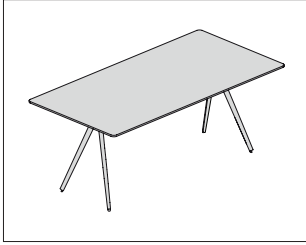
Step 3. Finish

YBB beige A +\$0

YBP white A +\$0

Baguette Table

MGG70.



Product Information

Description

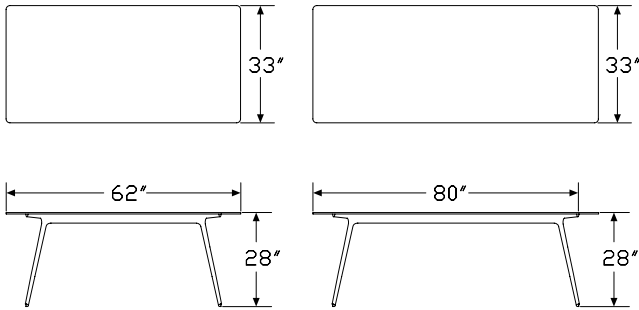
The legs of this table are cast aluminum, available polished or painted. The crosspiece is aluminum, also available polished or painted.

Notes

Painted (YCB, YCF) base with ardesia slate (YCJ) tables are suitable for outdoor use.

Other tops (WNT, YCB, YCF, YCC, CRR, SGG) and polished (YCD) base are NOT suitable for outdoor use.

Dimensions



Specification Information

Step 1.

MGG70.

Step 2. Size

3362 33" x 62" rectangular

3380 33" x 80" rectangular

Prices for Steps 1-2.

MGG70.3362	\$2108
3380	\$2313

Step 3. Frame Finish

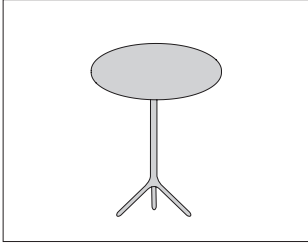
	3362	3380
YCB black <input type="checkbox"/>	+\$0	0
YCF white <input type="checkbox"/>	+\$0	0
YCD polished <input type="checkbox"/>	+\$350	351

Step 4. Top Finish

	3362	3380
YCB black <input type="checkbox"/>	+\$0	0
YCF white <input type="checkbox"/>	+\$0	0
WNT walnut <input type="checkbox"/>	+\$1682	2380
YCC extraclear glass <input type="checkbox"/>	+\$443	513
YCJ magis® ardesia slate <input type="checkbox"/>	+\$986	1022
CRR Carrara marble <input type="checkbox"/>	+\$1362	2017
SGG smoke grey glass <input type="checkbox"/>	+\$372	437

Central Table

MGG80.



HermanMiller Collection—Outdoor Tables

Product Information

Description

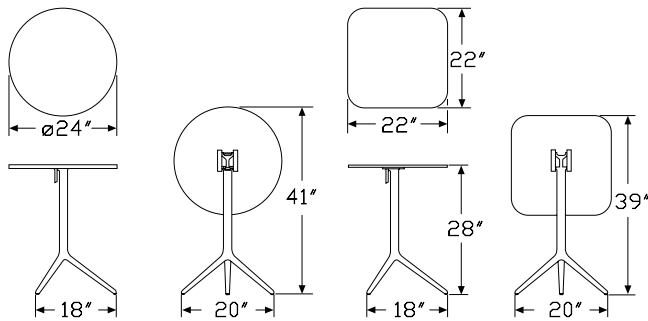
This table is available in a round or square shape. The frame is cast aluminum, available polished or painted.

Notes

For square table, polished aluminum frame is not available. Black or white finishes only.

Polished (YCD) option is NOT suitable for outdoor use.

Dimensions



Specification Information

Step 1.

MGG80. A

Step 2. Shape

R round A

S square A

Prices for Steps 1-2.

MGG80.R	\$1006
S	\$1006

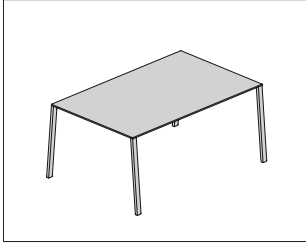
Step 3. Frame/Top Finish

For round (R)

YCB black <input type="checkbox"/> A	+\$0
YCF white <input type="checkbox"/> A	+\$91
YCD polished <input type="checkbox"/> A	+\$493

For square (S)

YCB black <input type="checkbox"/> A	+\$0
YCF white <input type="checkbox"/> A	+\$91



Product Information

Description

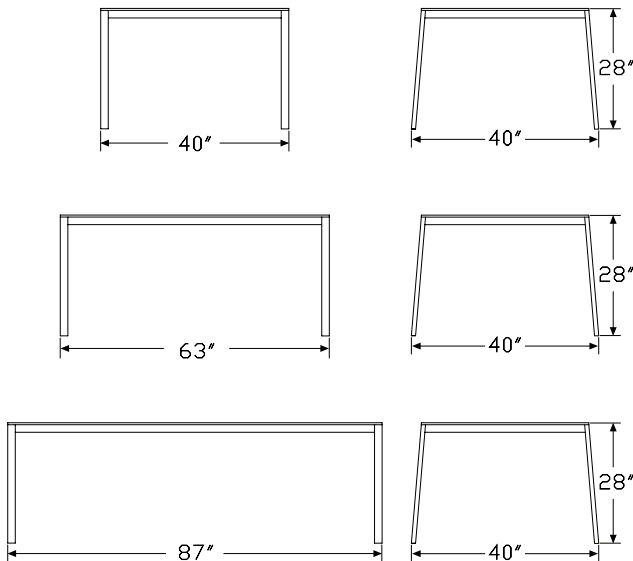
The frame of this table is an anodised aluminum tube. Joints are die-cast aluminum, available polished or painted. The top is high pressure laminate and comes in black or white. The base finish is available in polished aluminum and black.

Notes

Table thickness is 1/2".

Black (YHB) base with black (YHB) top combination is suitable for outdoor use.

Dimensions



Specification Information

Step 1.

MGE70. [A]

Step 2. Size

- 4040** 40" x 40" [A]
- 6340** 63" x 40" [A]
- 8740** 87" x 40" [A]

Prices for Steps 1-2.

MGE70.4040	\$1839
6340	\$2155
8740	\$2798

Step 3. Base Finish

- YHQ** polished aluminum [A] +\$0
- YHB** black [A] +\$0

Step 4. Top Finish

For 40" x 40" (4040) with polished aluminum (YHQ)

- YHB** black [A] +\$0
- YHP** white [A] +\$397

Step 5. Top Finish

For 63" x 40" (6340) with polished aluminum (YHQ)

- YHB** black [A] +\$0
- YHP** white [A] +\$554

Step 6. Top Finish

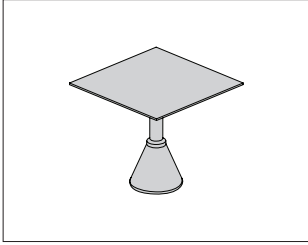
For 87" x 40" (8740) with polished aluminum (YHQ)

- YHB** black [A] +\$0
- YHP** white [A] +\$1413

Step 7. Top Finish

For black (YHB)

- YHB** black [A] +\$0



Product Information

Description

The shape of this table is available in round or square with a concrete base. The frame is an anodised aluminum tube. The top is high pressure laminate. Finishes for the top and base are available in polished aluminum and black.

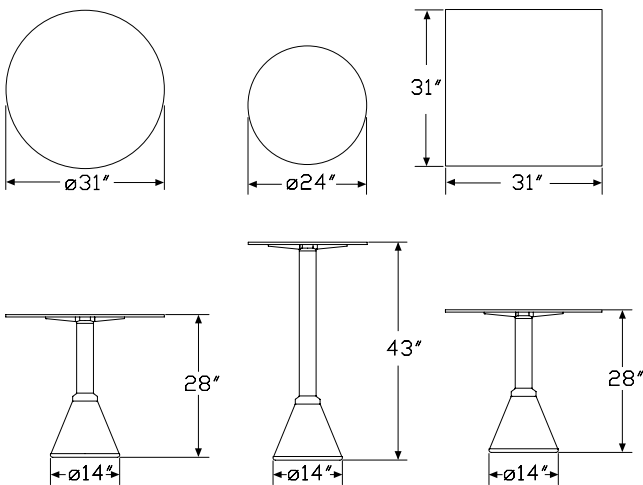
Notes

Table thickness is 1/2".

Table is suitable for outdoor use.

Polished aluminum (YHQ) base finish is NOT suitable for outdoor use.

Dimensions



Specification Information

Step 1.

MGE80. [A]

Step 2. Shape and Height

R28 round 28" high [A]

R43 round 43" high [A]

S28 square 28" high [A]

Prices for Steps 1-2.

MGE80.R28	\$1240
R43	\$1130
S28	\$1191

Step 3. Base Finish

YHQ polished aluminum [A] +\$0

YHB black [A] +\$0

Step 4. Top Finish

For polished aluminum (YHQ)

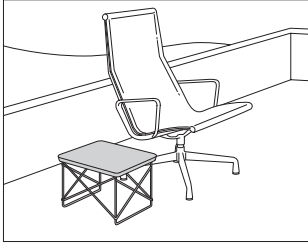
		R28	R43	S28
YHV	white with black edge [A]	+\$0	0	0
YHP	white [A]	+\$199	117	223

For black (YHB)

		R28	R43	S28
YHB	black [A]	+\$0	11	0

Eames® Wire Base Low Table Outdoor

LTRT.



Product Information

Description

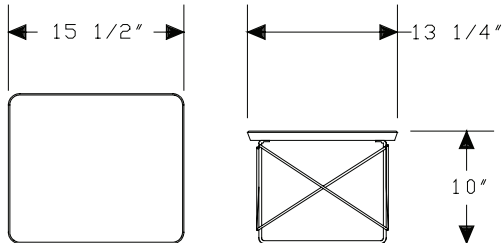
This outdoor table has a 3/4"-thick stone top or a thin profile HPL top. The base is powder-coated wire.

Notes

Stone has a honed finish and knife edge profile.

Natural characteristics in stone cause variations in hues, veins, crystals, and distinctive marks. These variations and subtle changes seen as the stone ages are values associated with natural materials. No two tabletops are identically the same; variations in both color and veining are to be expected. Over time the stone may fade in color, staining of the surface may appear, and surface cracks-if not already visible at time of purchase-may appear. Small cracks do not affect the structure of the tabletop.

Dimensions



Specification Information

Step 1.

LTRT.5

Step 2. Top Type

S stone

M thin profile HPL top

Prices for Steps 1-2.

LTRT.5 S	\$234
M	\$234

Step 3. Top Finish

For stone (S)

5U georgia grey marble <input type="checkbox"/>	+\$1359
HR wisconsin black marble <input type="checkbox"/>	+\$1419
CRR Carrara marble <input type="checkbox"/>	+\$1289

For thin profile HPL top (M)

91 white <input type="checkbox"/>	+\$110
BK black <input type="checkbox"/>	+\$110
G1 graphite <input type="checkbox"/>	+\$110

Step 4. Base Finish

91 white <input type="checkbox"/>	+\$21
G2 graphite satin <input type="checkbox"/>	+\$21
BK black <input type="checkbox"/>	+\$21

Nelson™ Pedestal Table Outdoor

5451.
5452.
5453.
5454.
5455.



Product Information

Description

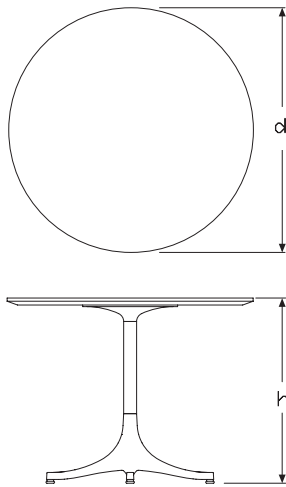
This outdoor table has a 3/4"-thick stone top or a thin profile HPL top and adjustable glides.

Notes

Stone has a honed finish and knife edge profile.

Natural characteristics in stone cause variations in hues, veins, crystals, and distinctive marks. These variations and subtle changes seen as the stone ages are values associated with natural materials. No two tabletops are identically the same; variations in both color and veining are to be expected. Over time the stone may fade in color, staining of the surface may appear, and surface cracks-if not already visible at time of purchase-may appear. Small cracks do not affect the structure of the tabletop.

Dimensions



Specification Information

Step 1.

545 A

Step 2. Height/Diameter

- 1.5 21 1/2" high x 17" diameter
- 5.5 26" high x 17" diameter A
- 2.5 16" high x 28 1/2" diameter
- 3.5 21 1/2" high x 28 1/2" diameter
- 4.5 26" high x 28 1/2" diameter A

Step 3. Surface Material

- M thin profile HPL top A
- S stone top A

Prices for Steps 1-3.

5451.5	M	\$888
	S	\$2223
5455.5	M	\$888
	S	\$2223
5452.5	M	\$1932
	S	\$3548
5453.5	M	\$1932
	S	\$3548
5454.5	M	\$1932
	S	\$3548

Step 4. Base Finish

91	white	<input type="checkbox"/> A	+\$0
91	white	<input type="checkbox"/> A	+\$30
G2	graphite satin	<input type="checkbox"/> A	+\$0
G2	graphite satin	<input type="checkbox"/> A	+\$30
BK	black	<input type="checkbox"/> A	+\$0
BK	black	<input type="checkbox"/> A	+\$30

Nelson™ Pedestal Table Outdoor

continued

Step 5. Top Finish

For stone top (S)

		1.5	5.5	2.5	3.5	4.5
5U	georgia grey	+\$225	225	360	360	360
	marble <input type="checkbox"/> A					
HR	wisconsin black	+\$631	631	1022	1022	1022
	marble <input type="checkbox"/> A					
CRR	Carrara marble <input type="checkbox"/> A	+\$100	100	285	285	285

For thin profile HPL top (M)

		1.5	5.5	2.5	3.5	4.5
91	white <input type="checkbox"/> A	+\$0	0	0	0	0
BK	black <input type="checkbox"/> A	+\$0	0	0	0	0
G1	graphite <input type="checkbox"/> A	+\$0	0	0	0	0

Index by Product Name

HermanMiller Collection Accessories	
360° Container (5 drawer w/casters)	page(s) 654
Box	665
Cu-Clock, 4-Pack	655
Dalmatian Puppy	659
Eames® Hang-It-All®	651
Eames® Molded Plywood Folding Screen	652
Environmental Enrichment Panel, Black and White	672
Environmental Enrichment Panel, Four Leaf Clover	670
Environmental Enrichment Panel, Hand & Dove	674
Environmental Enrichment Panel, Knot	669
Environmental Enrichment Panel, Ribbons	673
Environmental Enrichment Panel, Stars	671
Geiger Textile Pillow	675
Girard® Throw	653
Media Stand	667
Nelson™ Angled Bubble Pendant	705
Nelson™ Apple Bubble Pendant	677
Nelson™ Ball Bubble Pendant	678
Nelson™ Ball Crisscross Bubble Pendant	686
Nelson™ Ball Lotus Table Lamp	695
Nelson™ Ball Tripod Lamp	698
Nelson™ Ball Wall Sconce	691
Nelson™ Bell Bubble Pendant	679
Nelson™ Cigar Bubble Pendant	680
Nelson™ Cigar Crisscross Bubble Pendant	687
Nelson™ Cigar Lotus Floor Lamp	702
Nelson™ Cigar Lotus Table Lamp	696
Nelson™ Cigar Tripod Lamp	699
Nelson™ Cigar Wall Sconce	692
Nelson™ Lantern Bubble Pendant	682
Nelson™ Lantern Tripod Lamp	700
Nelson™ Orbit Bubble Pendant	707
Nelson™ Pear Bubble Pendant	683
Nelson™ Pear Crisscross Bubble Pendant	688
Nelson™ Pear Lotus Floor Lamp	703
Nelson™ Pear Lotus Table Lamp	697
Nelson™ Pear Tripod Lamp	701
Nelson™ Pear Wall Sconce	693
Nelson™ Propeller Bubble Pendant	684
Nelson™ Roll Bubble Pendant	704
Nelson™ Saucer Bubble Pendant	685
Nelson™ Saucer Crisscross Bubble Pendant	689
Nelson™ Saucer Wall Sconce	694
Nelson™ Triple Bubble Lamp Fixture	690
Paper Tray	668
Pencil Cup	663

Puppy	657
Steelwood Coat Stand	660
Tissue Box	666
Transit Folding Trolley	661
Trash Bin, 4-Pack	662
Tray	664
Umbrella Stand	656

HermanMiller Collection Desks and Tables	
AGL™ Table Group	page(s) 437
AGL™ Table Group Power Kit	440
AGL™ Table Group Power Kit, Chicago version	442
Air-Table	456
Baguette Table	457
Brabo Occasional Table	499
Branca Table	477
Burdick Group™ Base Assembly	448
Burdick Group™ Beam	447
Burdick Group™ Oval Table	445
Burdick Group™ Rectangular Table	444
Burdick Group™ Rectangular Work Surface	450
Burdick Group™ Round Work Surface	449
Central Table	458
Claw Occasional Table, Square	503
Claw Table	502
Deja-Vu Table	459
Distil Desk	435
Distil Table	436
Eames® Coffee Table	486
Eames® Desk Unit	433
Eames® Molded Plywood Coffee Table Metal Base	488
Eames® Molded Plywood Coffee Table Wood Base	489
Eames® Rectangular Coffee Table	490
Eames® Wire Base Elliptical Table	491
Eames® Wire Base Low Table	492
Facile Bench	479
Facile Table	478
Forcina Table	483
Full Round Table	504
H-Frame Coffee Table	512
H-Frame Side Table	510
I-Beam Coffee Table	514
I-Beam Side Table	515
Layer Occasional Table, High Nesting	529
Layer Occasional Table, Low Nesting	531
Layer Occasional Table, No Shelf	537
Layer Occasional Table, Stone Shelf	538
Layer Occasional Table, Wood Drawer	535

Index by Product Name *continued*

Index: Product Name

Layer Occasional Table, Wood Shelf	533
Medici Table	485
Nelson™ Pedestal Table	493
Nelson™ Swag Leg Desk	434
Nelson™ Swag Leg Dining Table Rectangular	451
Nelson™ Swag Leg Dining Table Round	452
Nelson™ Swag Leg Work Table	453
Nelson™ X-Leg Table	454
Noguchi® Rudder Table	496
Noguchi® Table	495
Officina Bistro Table	462
Officina Console Table	464
Officina Fratino Table	463
Officina Pedestal Table	465
Officina Table	460
Osso Table	482
Pizza Table	484
Polygon Wire Table	546
Primo Table	476
Reframe Occasional Table	539
Saiba Table Glass Top	525
Saiba Table Thin Profile Top	527
Saiba Table Wood Top	522
Solo Table	480
Steelwood Extending Table	469
Steelwood Table	467
Steelwood Table System	468
Striad® Pedestal Table	497
Striped Tavolo	470
Table First	471
Table_One	472
Table_One Bistro	473
Tavolo XZ3 Table	474
Traffic Low Side Table	552, 544
Traffic Low Side Table, Suitable for Outdoor Use	553, 545
Traffic Low Square Table	550
Traffic Low Square Table, Black HPL Top	543
Traffic Low Square Table, Suitable for Outdoor Use	551
Traffic Low Square Table, White HPL Top	542
Traffic Low Table	548
Traffic Low Table, Black HPL Top	541
Traffic Low Table, Suitable for Outdoor Use	549
Traffic Low Table, White HPL Top	540
Traffic Table	475
Tronco Table	481
Tuxedo Component Lounge Tables Rectangular	520
Tuxedo Component Lounge Tables Square	518

Tuxedo Component Lounge Tables Tray	516
-------------------------------------	-----

HermanMiller Collection Outdoor Furniture

Air-Chair	page(s) 716
Air-Folding Chair	717
Air-Table	734
Baguette Table	735
Central Table	736
Chair First	721
Chair_One	719
Chair_One Stacking Base	718
Deja-Vu Chair	722
Deja-Vu Stool	732
Eames® Aluminum Group Lounge Chair Outdoor	724
Eames® Aluminum Group Ottoman Outdoor	725
Eames® Aluminum Group Side Chair Outdoor	711
Eames® Wire Base Low Table Outdoor	739
Eames® Wire Chair Outdoor	712
Eames® Wire Stool Outdoor	713
Medici Bench Outdoor	727
Medici Chair Outdoor	726
Medici Ottoman Outdoor	728
Medici Table Outdoor	733
Mila Chair	714
Nelson™ Pedestal Table Outdoor	740
Paso Doble Chair Outdoor	715
Paso Doble Stool Outdoor	730
Spun Rotating Chair	729
Stool_One	731
Table_One	737
Table_One Bistro	738
Venice Chair	723

HermanMiller Collection Seating

Air-Chair	page(s) 37
Air-Chair to Air-Chair Connector	38
Air-Folding Chair	39
Al Bombo® Kit	232
Al Bombo® Stool	231
Bevel Chaise	320
Bevel Club Chair	315
Bevel Corner	316
Bevel Curved Settee	323
Bevel Ottoman	319
Bevel Rounded Ottoman	326
Bevel Settee	317
Bevel Single Seat	325
Bevel Sofa	321
Bolster Chaise	332

Bolster Club Chair	327	Crosshatch Lounge Chair	156
Bolster Corner	328	Crosshatch Ottoman	159
Bolster Ottoman	331	Crosshatch Settee	162
Bolster Settee	329	Crosshatch Side Chair	91
Bolster Sofa	333	Crosshatch Stool	265
Bombo® Stool	233	Cugino Stool	246
Brabo Lounge Chair	219	Deja-Vu Chair	46
Brabo Settee	410	Deja-Vu Stool	234
Brabo Sofa	413	Dressed First	45
Branca Chair	58	Eames® Aluminum Group Executive Chair	290
Branca Stool	239	Eames® Aluminum Group Lounge Chair	105
Bumper Conference Chair	306	Eames® Aluminum Group Management Chair	292
Bumper Lounge Chair	154	Eames® Aluminum Group Ottoman	107
Bumper Side Chair	74	Eames® Aluminum Group Side Chair	5
Chadwick Base Cover Kit	362	Eames® Chaise	129
Chadwick Module	360	Eames® Executive Chair	299
Chadwick Power Entry	363	Eames® Lounge Chair	115
Chadwick Power Jumper	365	Eames® Lounge Chair and Ottoman	111
Chadwick Receptacle Kit	364	Eames® Lounge Chair and Ottoman, Ebony	113
Chair First	40	Eames® Lounge Chair and Ottoman White Ash	114
Chair_One	42	Eames® Lounge Chair, Ebony	117
Chair_One Cushion	44	Eames® Lounge Chair White Ash	118
Chair_One Stacking Base	41	Eames® Molded Fiberglass Armchair	30
Chiaro Chair	59	Eames® Molded Fiberglass Side Chair	18
Chiaro Stool	240	Eames® Molded Fiberglass Stool	252
Clerici Armchair	147	Eames® Molded Plastic Armchair	26
Clerici Three Seat Bench	149	Eames® Molded Plastic Armchair Rocker Base	122
Clerici Two Seat Bench	148	Eames® Molded Plastic Side Chair	13
ColourForm Bench, Not Quilted, Single Textile	357	Eames® Molded Plastic Stool	255
ColourForm Bench, Quilted, Single Textile	358	Eames® Molded Plywood Dining Chair Metal Base	9
ColourForm Chaise, Not Quilted, Single Textile	346	Eames® Molded Plywood Dining Chair Wood Base	11
ColourForm Chaise, Quilted, Single Textile	348	Eames® Molded Plywood Lounge Chair Metal Base	125
ColourForm Chaise, Quilted, Two Textiles	350	Eames® Molded Plywood Lounge Chair Wood Base	127
ColourForm Club Chair, Not Quilted, Single Textile	341	Eames® Molded Wood Side Chair	22
ColourForm Club Chair, Quilted, Single Textile	342	Eames® Molded Wood Stool	258
ColourForm Club Chair, Quilted, Two Textiles	343	Eames® Ottoman	119
ColourForm Corner, Not Quilted, Single Textile	355	Eames® Ottoman, Ebony	120
ColourForm Corner, Quilted, Single Textile	356	Eames® Ottoman White Ash	121
ColourForm Ganging Kit	359	Eames® Side Chair Stacking Base Dolly	23
ColourForm Ottoman, Not Quilted, Single Textile	344	Eames® Sofa	405
ColourForm Ottoman, Quilted, Single Textile	345	Eames® Sofa Compact	404
ColourForm Sofa, Not Quilted, Single Textile	335	Eames® Soft Pad Group Executive Chair	294
ColourForm Sofa, Quilted, Single Textile	337	Eames® Soft Pad Group Management Chair	296
ColourForm Sofa, Quilted, Two Textiles	339	Eames® Soft Pad Lounge Chair	108
ColourForm Tete-a-Tete, Not Quilted, Single Textile	352	Eames® Soft Pad Ottoman	110
ColourForm Tete-a-Tete, Quilted, Single Textile	353	Eames® Soft Pad Side Chair	7
ColourForm Tete-a-Tete, Quilted, Two Textiles	354	Eames® Task Chair, Arm Shell	301

Index by Product Name *continued*

Index: Product Name

Eames® Task Chair, Side Shell	303	Nessel Chair	86
Eames® Upholstered Molded Fiberglass Armchair	32	Officina Armchair	132
Eames® Upholstered Molded Fiberglass Side Chair	20	Officina Bench	272
Eames® Upholstered Molded Fiberglass Stool	253	Officina Chair	48
Eames® Upholstered Molded Plastic Armchair	27	Officina Loinrest Cushion	228
Eames® Upholstered Molded Plastic Armchair Rocker Base	123	Officina Low Chair	131
Eames® Upholstered Molded Plastic Side Chair	15	Officina Ottoman	133
Eames® Upholstered Molded Plastic Stool	256	Officina Sofa	421
Eames® Upholstered Molded Wood Side Chair	34	Officina Stool	235
Eames® Upholstered Molded Wood Stool	259	Osso Chair	57
Eames® Walnut Stool	229	Osso Stool	247
Eames® Wire Chair	24	Primo Chair	65
Eames® Wire Stool	261	Primo Stool	245
Envelope® Chair	72	Quindici Chaise Longue	153
Folly	273	Quindici Lounge Chair	152
Folly Floor Kit	274	Reframe High-Back Lounge Chair	168
Forcina Chair	102	Reframe Mid-Back Lounge Chair	165
Forcina Stool	251	Reframe Wing-Back Lounge Chair	171
Full Twist™ Guest Chair	76	Rolled Arm Club Chair	173
Girard Color Wheel Ottoman	422	Rolled Arm Sofa	416
Goetz™ Sofa	407	Saiba Conference Chair	90
He Said Chair	61	Saiba Guest Chair	216
Landmark Chair	83	Saiba Lounge	214
Landmark Low Arm Chair	80	Saiba Multitask Chair	308
Leeway™ Metal Frame Side Chair	98	Saiba Ottoman	215
Leeway™ Stool	268	Scissor Chair	179
Leeway™ Wood Side Chair	95	She Said Chair	62
Leva Chair	104	She Said Lowide Chair	63
Lispenard Chair	313	She Said Stool	242
Lispenard Ottoman	312	Sled Chair	181
Lispenard Sectional	314	Solo Chair	64
Lispenard Sofa	311	Solo Stool	244
Medici Chair	150	Spot Stool	263
Medici Ottoman	151	Spun Rotating Chair	146
Mila Chair	47	Stanley Chair	94
Milà Upholstered Chair	103	Steelwood Chair	49
Module Lounge Seating Corner	370	Steelwood Stool	236
Module Lounge Seating Ottoman	372	Steelwood Upholstered Chair	50
Module Lounge Seating Single Seat	368	Stool_One	237
Module Lounge Seating with Privacy Back Corner	367	Stool_One Cushion	238
Module Lounge Seating with Privacy Back Single Seat	366	Striad High-Back Lounge Chair, 4-Star Base	198
Nelson™ Coconut Lounge Chair	130	Striad High-Back Lounge Chair, Wire Base	200
Nelson™ Marshmallow Sofa	409	Striad Low-Back Lounge Chair, 4-Star Base	206
Nelson™ Pedestal Stool	230	Striad Low-Back Lounge Chair, Wire Base	208
Nelson™ Platform Bench	275	Striad Mid-Back Lounge Chair, 4-Star Base	202
Nelson™ Platform Bench Cushion	276	Striad Mid-Back Lounge Chair, Wire Base	204
Nelson™ Swag Leg Armchair	36	Striad Ottoman, 4-Star Base	210

Striad Ottoman, Wire Base	212
Taper Chair	309
Tom & Jerry Stool	243
Traffic Armchair Leather	135
Traffic Armchair Upholstered	134
Traffic Armchair Upholstered (Suitable for Outdoor Use)	136
Traffic Chaise Lounge Leather	144
Traffic Chaise Lounge Upholstered	143
Traffic One-Seater Bench Leather	284
Traffic One-Seater Bench Upholstered	282
Traffic One-Seater Bench Upholstered (Suitable for Outdoor Use)	283
Traffic Platform Leather	289
Traffic Platform Upholstered	288
Traffic Tablet in Acrylic Stone	145
Traffic Three-Seater Sofa Leather	142
Traffic Three-Seater Sofa Upholstered	140
Traffic Three-Seater Sofa Upholstered (Suitable for Outdoor Use)	141
Traffic Two-Seater Bench Leather	287
Traffic Two-Seater Bench Upholstered	285
Traffic Two-Seater Bench Upholstered (Suitable for Outdoor Use)	286
Traffic Two-Seater Sofa Leather	139
Traffic Two-Seater Sofa Upholstered	137
Traffic Two-Seater Sofa Upholstered (Suitable for Outdoor Use)	138
Tronco Connector	68
Tronco Dolly	67
Tronco Stacking Chair	66
Tronco Upholstered Chair	101
Troy Plastic Chair	51
Troy Upholstered Chair	53
Tuxedo Classic Club Chair	196
Tuxedo Classic Corner Settee	393
Tuxedo Classic Corner Sofa	401
Tuxedo Classic Settee	388
Tuxedo Classic Sofa	397
Tuxedo Component Lounge™ Bench	278
Tuxedo Component Lounge™ Club Chair	183
Tuxedo Component Lounge™ Corner Sofa with Attached Settee	384
Tuxedo Component Lounge™ Corner Sofa with Attached Sofa	386
Tuxedo Component Lounge™ Daybed	187
Tuxedo Component Lounge™ Museum Bench	280
Tuxedo Component Lounge™ Ottoman	185
Tuxedo Component Lounge™ Settee	375
Tuxedo Component Lounge™ Settee Corner	379
Tuxedo Component Lounge™ Sofa	373
Tuxedo Component Lounge™ Sofa Corner	382
Tuxedo Component Lounge with Table - One Seat	189
Tuxedo Component Lounge with Table - Two Seats	193

Tuxedo Ganging Plate	429
Uncino Chair, Version A	69
Uncino Chair, Version B	70
Uncino Chair, Version C	71
Uncino Stool	249
Uncino Stool, Fixed	250
Venice Chair	55
Venice Cushion	56
Wireframe™ Chair	175
Wireframe™ Ottoman	177
Wireframe™ Sofa	419
Wood Base Club Chair	222
Wood Base Ottoman	225
Wood Base Settee	423
Wood Base Sofa	426
Zampa Stool	271

HermanMiller Collection Storage

Domino Credenza	page(s) 584, 583, 580, 579, 577, 575
Domino Sideboard	586, 585, 582, 581, 578, 576
Eames® Storage Unit	557
H-Frame Credenza Four Units Wide	602
H-Frame Credenza One Unit Wide	587
H-Frame Credenza Stone Top	608
H-Frame Credenza Three Units Wide	598
H-Frame Credenza Two Units Wide	594
Nelson™ Basic Cabinet Series 16.5 x 18	559
Nelson™ Basic Cabinet Series 24 x 24	560
Nelson™ Basic Cabinet Series 24 x 34	561
Nelson™ Basic Cabinet Series 24 x 34 Bookcase	562
Nelson™ Basic Cabinet Series 34 x 40	563
Nelson™ Miniature Chest 6 Drawer	564
Nelson™ Miniature Chest 9 Drawer	565
Nelson™ Thin Edge Bedside Table	567
Nelson™ Thin Edge Buffet	571
Nelson™ Thin Edge Cabinet	569
Nelson™ Thin Edge Chest	568
Nelson™ Thin Edge Chest Cabinet	570
Nelson™ Thin Edge Double Dresser	572
Silverware Drawer Insert	609
Sled Base Credenza Four Units Wide	619
Sled Base Credenza Four Units Wide and Stone Top	634
Sled Base Credenza Three Units Wide	616
Sled Base Credenza Three Units Wide and Stone Top	631
Sled Base Credenza Two Units Wide	613
Sled Base Credenza Two Units Wide and Stone Top	628
Sled Base Mobile Credenza	640
Sled Base Mobile Credenza Stone Top	646

Index by Product Name *continued*

Index: Product Name

Sled Base Mobile Pedestal	637
Sled Base Mobile Pedestal Stone Top	643
Sled Base Pedestal	610
Sled Base Pedestal Stone Top	625
Steelwood Shelving System	573

Index by Product Number

411	Eames® Walnut Stool	page(s) 229	AJN10	ColourForm Corner, Not Quilted, Single Textile	355
412			AJN10	ColourForm Corner, Quilted, Single Textile	356
413			AJN10	ColourForm Sofa, Not Quilted, Single Textile	335
473	Eames® Sofa Compact	404	AJN10	ColourForm Sofa, Quilted, Single Textile	337
5451L	Nelson™ Pedestal Table	493	AJN10	ColourForm Sofa, Quilted, Two Textiles	339
5451.	Nelson™ Pedestal Table Outdoor	740	AJN10	ColourForm Tete-a-Tete, Not Quilted, Single Textile	352
5451S	Nelson™ Pedestal Table	493	AJN10	ColourForm Tete-a-Tete, Quilted, Single Textile	353
5451W			AJN10	ColourForm Tete-a-Tete, Quilted, Two Textiles	354
5452L			AJNG	ColourForm Ganging Kit	359
5452.	Nelson™ Pedestal Table Outdoor	740	AL1C0	Bolster Ottoman	331
5452S	Nelson™ Pedestal Table	493	AL1C1	Bolster Chaise	332
5452W			AL1C1	Bolster Club Chair	327
5453L			AL1C1	Bolster Corner	328
5453.	Nelson™ Pedestal Table Outdoor	740	AL1C1	Bolster Settee	329
5453S	Nelson™ Pedestal Table	493	AL1C1	Bolster Sofa	333
5453W			AL2C1	Module Lounge Seating Single Seat	368
5454L			AL2C2		
5454.	Nelson™ Pedestal Table Outdoor	740	AL2C3	Module Lounge Seating Corner	370
5454S	Nelson™ Pedestal Table	493	AL2C4	Module Lounge Seating Ottoman	372
5454W			AL2C5	Module Lounge Seating with Privacy Back Single Seat	366
5455L			AL2C7	Module Lounge Seating with Privacy Back Corner	367
5455.	Nelson™ Pedestal Table Outdoor	740	AL6C0	Bevel Ottoman	319
5455S	Nelson™ Pedestal Table	493	AL6C0	Bevel Rounded Ottoman	326
5455W			AL6C0	Bevel Single Seat	325
5569.	Nelson™ Coconut Lounge Chair	130	AL6C1	Bevel Chaise	320
5670	Nelson™ Marshmallow Sofa	409	AL6C1	Bevel Club Chair	315
66332	Girard Color Wheel Ottoman	422	AL6C1	Bevel Corner	316
ACL1A	Claw Table	502	AL6C1	Bevel Settee	317
ACL2A	Claw Occasional Table, Square	503	AL6C1	Bevel Sofa	321
AFCA	Reframe Occasional Table	539	AL6C2	Bevel Curved Settee	323
AFCW			AL6C3		
AFRA			AL510	Lispenard Chair	313
AFRW			AL510	Lispenard Ottoman	312
AFSA			AL510	Lispenard Sectional	314
AFSW			AL510	Lispenard Sofa	311
AJN2B	ColourForm Bench, Not Quilted, Single Textile	357	ALNHS	Layer Occasional Table, High Nesting	529
AJN2B	ColourForm Bench, Quilted, Single Textile	358	ALNLT	Layer Occasional Table, Low Nesting	531
AJN3B	ColourForm Bench, Not Quilted, Single Textile	357	ALYDA	Layer Occasional Table, Wood Drawer	535
AJN3B	ColourForm Bench, Quilted, Single Textile	358	ALYDW		
AJN04	ColourForm Ottoman, Not Quilted, Single Textile	344	ALYSA	Layer Occasional Table, Wood Shelf	533
AJN04	ColourForm Ottoman, Quilted, Single Textile	345	ALYSN	Layer Occasional Table, No Shelf	537
AJN10	ColourForm Chaise, Not Quilted, Single Textile	346	ALYSS	Layer Occasional Table, Stone Shelf	538
AJN10	ColourForm Chaise, Quilted, Single Textile	348	ALYSW	Layer Occasional Table, Wood Shelf	533
AJN10	ColourForm Chaise, Quilted, Two Textiles	350	ASB1A	Saiba Table Wood Top	522
AJN10	ColourForm Club Chair, Not Quilted, Single Textile	341	ASB1G	Saiba Table Glass Top	525
AJN10	ColourForm Club Chair, Quilted, Single Textile	342	ASB1T	Saiba Table Thin Profile Top	527
AJN10	ColourForm Club Chair, Quilted, Two Textiles	343	ASB1W	Saiba Table Wood Top	522

Index by Product Number *continued*

Index: Product Number

AV3AL	Brabo Occasional Table	499
AV3AW		
AV3WL		
AV3WW		
AWB1Z	I-Beam Side Table	515
AWB2G	I-Beam Coffee Table	514
AWB2M		
AWH2G	H-Frame Coffee Table	512
AWH2G	H-Frame Side Table	510
AWH2S	H-Frame Coffee Table	512
AWH2S	H-Frame Side Table	510
AWH2W	H-Frame Coffee Table	512
AWH2W	H-Frame Side Table	510
AWR2-	Full Round Table	504
AXT3-	Tuxedo Component Lounge Tables Tray	516
AXW2-	Tuxedo Component Lounge Tables Square	518
AXW3-	Tuxedo Component Lounge Tables Rectangular	520
B-3-7	Nelson™ Triple Bubble Lamp Fixture	690
BC1618	Nelson™ Basic Cabinet Series 16.5 x 18	559
BC2400	Nelson™ Basic Cabinet Series 24 x 34 Bookcase	562
BC2424	Nelson™ Basic Cabinet Series 24 x 24	560
BC2434	Nelson™ Basic Cabinet Series 24 x 34	561
BC3440	Nelson™ Basic Cabinet Series 34 x 40	563
BELLX	Nelson™ Bell Bubble Pendant	679
BG105	Burdick Group™ Beam	447
BG106		
BG107	Burdick Group™ Base Assembly	448
BG120	Burdick Group™ Rectangular Work Surface	450
BG121		
BG122	Burdick Group™ Round Work Surface	449
BG321	Burdick Group™ Rectangular Table	444
BG322		
BG331		
BG332		
BG335	Burdick Group™ Oval Table	445
BG336		
BG435		
BG436		
BK104	Wireframe™ Ottoman	177
BK110	Wireframe™ Chair	175
BK110	Wireframe™ Sofa	419
CCL100	Striad High-Back Lounge Chair, 4-Star Base	198
CCL101	Striad High-Back Lounge Chair, Wire Base	200
CCL200	Striad Mid-Back Lounge Chair, 4-Star Base	202
CCL201	Striad Mid-Back Lounge Chair, Wire Base	204
CCL300	Striad Low-Back Lounge Chair, 4-Star Base	206
CCL301	Striad Low-Back Lounge Chair, Wire Base	208

CCL400	Striad Ottoman, 4-Star Base	210
CCL401	Striad Ottoman, Wire Base	212
CCL500	Striad® Pedestal Table	497
CM101	Chadwick Module	360
CM102		
CM103		
CM104	Chadwick Base Cover Kit	362
CM105	Chadwick Module	360
CM106		
CM107	Chadwick Power Entry	363
CM108	Chadwick Receptacle Kit	364
CM109	Chadwick Power Jumper	365
CTM.	Eames® Molded Plywood Coffee Table Metal Base	488
CTW1.	Eames® Rectangular Coffee Table	490
CTW.	Eames® Molded Plywood Coffee Table Wood Base	489
CY100.	Pencil Cup	663
CY101.	Tray	664
CY102.	Box	665
CY103.	Tissue Box	666
CY104.	Media Stand	667
CY105.	Paper Tray	668
DAF	Nelson™ Swag Leg Armchair	36
DAR.	Eames® Molded Plastic Armchair	26
DAR.	Eames® Upholstered Molded Plastic Armchair	27
DAW.	Eames® Molded Plastic Armchair	26
DAW.	Eames® Upholstered Molded Plastic Armchair	27
DAX.	Eames® Molded Plastic Armchair	26
DAX.	Eames® Upholstered Molded Plastic Armchair	27
DCM.	Eames® Molded Plywood Dining Chair Metal Base	9
DCW.	Eames® Molded Plywood Dining Chair Wood Base	11
DF100.	AGL™ Table Group	437
DF900.	AGL™ Table Group Power Kit	440
DF901.	AGL™ Table Group Power Kit, Chicago version	442
DFAR.	Eames® Molded Fiberglass Armchair	30
DFAR.	Eames® Upholstered Molded Fiberglass Armchair	32
DFAW.	Eames® Molded Fiberglass Armchair	30
DFAW.	Eames® Upholstered Molded Fiberglass Armchair	32
DFAX.	Eames® Molded Fiberglass Armchair	30
DFAX.	Eames® Upholstered Molded Fiberglass Armchair	32
DFH BX.	Eames® Molded Fiberglass Stool	252
DFH BX.	Eames® Upholstered Molded Fiberglass Stool	253
DFH CX.	Eames® Molded Fiberglass Stool	252
DFH CX.	Eames® Upholstered Molded Fiberglass Stool	253
DFSR.	Eames® Molded Fiberglass Side Chair	18
DFSR.	Eames® Upholstered Molded Fiberglass Side Chair	20
DFSS.	Eames® Molded Fiberglass Side Chair	18
DFSW.		

Index by Product Number *continued*

DFSW. Eames® Upholstered Molded Fiberglass Side Chair	20	EA434 Eames® Soft Pad Group Management Chair	296
DFSX. Eames® Molded Fiberglass Side Chair	18	EA435	
DFSX. Eames® Upholstered Molded Fiberglass Side Chair	20	EA437 Eames® Soft Pad Group Executive Chair	294
DKHBX. Eames® Wire Stool	261	EA506 Eames® Aluminum Group Side Chair Outdoor	711
DKHCX.		EA508	
DKHQBX Eames® Wire Stool Outdoor	713	EA516 Eames® Aluminum Group Lounge Chair Outdoor	724
DKHQCX		EA523 Eames® Aluminum Group Ottoman Outdoor	725
DKQR. Eames® Wire Chair Outdoor	712	ECT30 Eames® Coffee Table	486
DKQX.		EDU10. Eames® Desk Unit	433
DKR. Eames® Wire Chair	24	EDU20.	
DKW.		EDU21.	
DKX.		EE907 Environmental Enrichment Panel, Hand & Dove	674
DOLLY. Eames® Side Chair Stacking Base Dolly	23	EE913 Environmental Enrichment Panel, Stars	671
DSHBX. Eames® Molded Plastic Stool	255	EE929 Environmental Enrichment Panel, Four Leaf Clover	670
DSHBX. Eames® Upholstered Molded Plastic Stool	256	EE932 Environmental Enrichment Panel, Knot	669
DSHCX. Eames® Molded Plastic Stool	255	EE935 Environmental Enrichment Panel, Black and White	672
DSHCX. Eames® Upholstered Molded Plastic Stool	256	EE943 Environmental Enrichment Panel, Ribbons	673
DSR. Eames® Molded Plastic Side Chair	13	ES106 Eames® Chaise	129
DSR. Eames® Upholstered Molded Plastic Side Chair	15	ES108 Eames® Sofa	405
DSS. Eames® Molded Plastic Side Chair	13	ES110	
DSW.		ES204 Eames® Executive Chair	299
DSW. Eames® Upholstered Molded Plastic Side Chair	15	ES670 Eames® Lounge Chair	115
DSX. Eames® Molded Plastic Side Chair	13	ES670 Eames® Lounge Chair and Ottoman	111
DSX. Eames® Upholstered Molded Plastic Side Chair	15	ES670 Eames® Lounge Chair and Ottoman, Ebony	113
DWHBX. Eames® Molded Wood Stool	258	ES670 Eames® Lounge Chair and Ottoman White Ash	114
DWHBX. Eames® Upholstered Molded Wood Stool	259	ES670 Eames® Lounge Chair, Ebony	117
DWHCX. Eames® Molded Wood Stool	258	ES670 Eames® Lounge Chair White Ash	118
DWHCX. Eames® Upholstered Molded Wood Stool	259	ES671 Eames® Ottoman	119
DWSR. Eames® Molded Wood Side Chair	22	ES671 Eames® Ottoman, Ebony	120
DWSR. Eames® Upholstered Molded Wood Side Chair	34	ES671 Eames® Ottoman White Ash	121
DWSW. Eames® Molded Wood Side Chair	22	ESU100 Eames® Storage Unit	557
DWSW. Eames® Upholstered Molded Wood Side Chair	34	ESU150	
DWSX. Eames® Molded Wood Side Chair	22	ESU201	
DWSX. Eames® Upholstered Molded Wood Side Chair	34	ESU230	
EA306 Eames® Aluminum Group Side Chair	5	ESU420	
EA308		ETRT. Eames® Wire Base Elliptical Table	491
EA316 Eames® Aluminum Group Lounge Chair	105	FSW. Eames® Molded Plywood Folding Screen	652
EA322		GS100. Goetz™ Sofa	407
EA323 Eames® Aluminum Group Ottoman	107	H737S Nelson™ Lantern Bubble Pendant	682
EA334 Eames® Aluminum Group Management Chair	292	H737T Nelson™ Lantern Tripod Lamp	700
EA335		H761C Nelson™ Ball Crisscross Bubble Pendant	686
EA337 Eames® Aluminum Group Executive Chair	290	H761L Nelson™ Ball Bubble Pendant	678
EA406 Eames® Soft Pad Side Chair	7	H761L Nelson™ Ball Lotus Table Lamp	695
EA408		H761M Nelson™ Ball Bubble Pendant	678
EA416 Eames® Soft Pad Lounge Chair	108	H761S	
EA422		H761S Nelson™ Ball Wall Sconce	691
EA423 Eames® Soft Pad Ottoman	110	H761T Nelson™ Ball Tripod Lamp	698

Index by Product Number *continued*

Index: Product Number

H762C	Nelson™ Cigar Crisscross Bubble Pendant	687
H762L	Nelson™ Cigar Bubble Pendant	680
H762L	Nelson™ Cigar Lotus Floor Lamp	702
H762L	Nelson™ Cigar Lotus Table Lamp	696
H762M	Nelson™ Cigar Bubble Pendant	680
H762S		
H762S	Nelson™ Cigar Wall Sconce	692
H762T	Nelson™ Cigar Tripod Lamp	699
H762X	Nelson™ Cigar Bubble Pendant	680
H763C	Nelson™ Saucer Crisscross Bubble Pendant	689
H763L	Nelson™ Saucer Bubble Pendant	685
H763M		
H763S		
H763S	Nelson™ Saucer Wall Sconce	694
H763X	Nelson™ Saucer Bubble Pendant	685
H764M	Nelson™ Roll Bubble Pendant	704
H766M	Nelson™ Apple Bubble Pendant	677
H769L	Nelson™ Angled Bubble Pendant	705
H769M		
H769S		
H770C	Nelson™ Pear Crisscross Bubble Pendant	688
H770L	Nelson™ Pear Lotus Floor Lamp	703
H770L	Nelson™ Pear Lotus Table Lamp	697
H770M	Nelson™ Pear Bubble Pendant	683
H770S		
H770S	Nelson™ Pear Wall Sconce	693
H770T	Nelson™ Pear Tripod Lamp	701
H771M	Nelson™ Orbit Bubble Pendant	707
H771S		
HA-CC	Cu-Clock, 4-Pack	655
HA-CO	360° Container (5 drawer w/casters)	654
HA-CR	Steelwood Coat Stand	660
HA-DP	Dalmatian Puppy	659
HA-GT	Girard® Throw	653
HA-PP	Puppy	657
HA-TH	Trash Bin, 4-Pack	662
HA-TT	Transit Folding Trolley	661
HA-US	Umbrella Stand	656
HIA91	Eames® Hang-It-All®	651
HIABK		
HIAML		
HIAOU		
HIAUL		
IN50	Noguchi® Table	495
IN52	Noguchi® Rudder Table	496
IWCM2	Domino Credenza	580
IWCM3	Domino Credenza	583

IWCM4	Domino Credenza	584
IWCS2	Domino Credenza	575
IWCS3	Domino Credenza	577
IWCS4	Domino Credenza	579
IWSM2	Domino Sideboard	582
IWSM3	Domino Sideboard	585
IWSM4	Domino Sideboard	586
IWSS2	Domino Sideboard	576
IWSS3	Domino Sideboard	578
IWSS4	Domino Sideboard	581
JA	Silverware Drawer Insert	609
JCH1-	H-Frame Credenza One Unit Wide	587
JCH1S	H-Frame Credenza Stone Top	608
JCH2-	H-Frame Credenza Two Units Wide	594
JCH2S	H-Frame Credenza Stone Top	608
JCH3-	H-Frame Credenza Three Units Wide	598
JCH3S	H-Frame Credenza Stone Top	608
JCH4-	H-Frame Credenza Four Units Wide	602
JCH4S	H-Frame Credenza Stone Top	608
JCS1-	Sled Base Pedestal	610
JCS1S	Sled Base Pedestal Stone Top	625
JCS2-	Sled Base Credenza Two Units Wide	613
JCS2S	Sled Base Credenza Two Units Wide and Stone Top	628
JCS3-	Sled Base Credenza Three Units Wide	616
JCS3S	Sled Base Credenza Three Units Wide and Stone Top	631
JCS4-	Sled Base Credenza Four Units Wide	619
JCS4S	Sled Base Credenza Four Units Wide and Stone Top	634
JMS1-	Sled Base Mobile Pedestal	637
JMS1S	Sled Base Mobile Pedestal Stone Top	643
JMS2-	Sled Base Mobile Credenza	640
JMS2S	Sled Base Mobile Credenza Stone Top	646
LCM.	Eames® Molded Plywood Lounge Chair Metal Base	125
LCW.	Eames® Molded Plywood Lounge Chair Wood Base	127
LTRT.	Eames® Wire Base Low Table	492
LTRT.	Eames® Wire Base Low Table Outdoor	739
MAS18	Spot Stool	263
MAS24		
MAS30		
MC9A.	Uncino Chair, Version A	69
MC9B.	Uncino Chair, Version B	70
MC9C.	Uncino Chair, Version C	71
MC9F.	Uncino Stool, Fixed	250
MC9S.	Uncino Stool	249
MC12.	Tronco Upholstered Chair	101
MC13B.	Facile Bench	479
MC13T.	Facile Table	478
MC14C.	Primo Chair	65

Index by Product Number *continued*

MC14S. Primo Stool	245	MGK70. Tronco Table	481
MC14T. Primo Table	476	MGK91. Tronco Connector	68
MC15CL. Quindici Chaise Longue	153	MGK99. Tronco Dolly	67
MC15L. Quindici Lounge Chair	152	MGM00. Medici Chair	150
MC16C. Forcina Chair	102	MGM01. Medici Chair Outdoor	726
MC16S. Forcina Stool	251	MGM21. Medici Bench Outdoor	727
MC16T. Forcina Table	483	MGN00. Spun Rotating Chair	729, 146
MC18. Zampa Stool	271	MGP10. Paso Doble Chair Outdoor	715
MC20. Cugino Stool	246	MGP30. Paso Doble Stool Outdoor	730
MC21. Leva Chair	104	MGQ70. Officina Bistro Table	462
MGA00. Air-Chair	716, 37	MGQ70. Officina Console Table	464
MGA01. Air-Folding Chair	717, 39	MGQ70. Officina Fratino Table	463
MGA70. Air-Table	734, 456	MGQ70. Officina Pedestal Table	465
MGA90. Air-Chair to Air-Chair Connector	38	MGQ70. Officina Table	460
MGB20. Al Bombo® Stool	231	MGR00. Branca Chair	58
MGB21. Bombo® Stool	233	MGR20. Branca Stool	239
MGB90. Al Bombo® Kit	232	MGR70. Branca Table	477
MGC00. Folly	273	MG500. Steelwood Chair	49
MGC90. Folly Floor Kit	274	MG500. Steelwood Upholstered Chair	50
MGCH00Chiaro Chair	59	MG520. Steelwood Stool	236
MGCH03Chiaro Stool	240	MG570. Steelwood Table	467
MGCL00 Clerici Armchair	147	MG571. Steelwood Extending Table	469
MGCL02 Clerici Two Seat Bench	148	MG572. Steelwood Table System	468
MGCL03 Clerici Three Seat Bench	149	MG590. Steelwood Shelving System	573
MGD00. Deja-Vu Chair	722, 46	MGT70. Tavolo XZ3 Table	474
MGD20. Deja-Vu Stool	732, 234	MGTJ20. Tom & Jerry Stool	243
MGD70. Deja-Vu Table	459	MGU00. Venice Chair	723, 55
MGE00. Chair_One	719, 42	MGU90. Venice Cushion	56
MGE00. Chair_One Stacking Base	718, 41	MGV20. Medici Ottoman	151
MGE20. Stool_One	731, 237	MGV21. Medici Ottoman Outdoor	728
MGE70. Table_One	737, 472	MGV70. Medici Table	485
MGE80. Table_One Bistro	738, 473	MGV71. Medici Table Outdoor	733
MGE90. Chair_One Cushion	44	MGW70. Striped Tavolo	470
MGE91. Stool_One Cushion	238	MGX00. Dressed First	45
MGF00. Chair First	721, 40	MGY01. Troy Upholstered Chair	53
MGF70. Table First	471	MGY08. Troy Plastic Chair	51
MGG70. Baguette Table	735, 457	MGZ00. Solo Chair	64
MGG80. Central Table	736, 458	MGZ02. Solo Stool	244
MGG90. Pizza Table	484	MGZ70. Solo Table	480
MGH00. He Said Chair	61	NC526. Nelson™ Miniature Chest 6 Drawer	564
MGH01. She Said Chair	62	NC529. Nelson™ Miniature Chest 9 Drawer	565
MGH02. She Said Lowide Chair	63	NC556. Nelson™ Miniature Chest 6 Drawer	564
MGH03. She Said Stool	242	NC559. Nelson™ Miniature Chest 9 Drawer	565
MGJ00. Osso Chair	57	NS585. Nelson™ Swag Leg Desk	434
MGJ01. Osso Stool	247	NS585. Nelson™ Swag Leg Dining Table Rectangular	451
MGJ70. Osso Table	482	NS585. Nelson™ Swag Leg Dining Table Round	452
MGK01. Tronco Stacking Chair	66	NS585. Nelson™ Swag Leg Work Table	453

Index by Product Number *continued*

Index: Product Number

NX100.	Nelson™ X-Leg Table	454
PACCF.	Eames® Task Chair, Arm Shell	301
PACCP.		
PBC.	Nelson™ Platform Bench Cushion	276
PB.	Nelson™ Platform Bench	275
PROP	Nelson™ Propeller Bubble Pendant	684
PS16	Nelson™ Pedestal Stool	230
PSCCD.	Eames® Task Chair, Side Shell	303
PSCCF.		
PSCCP.		
PSCCR.		
PTA	Geiger Textile Pillow	675
PTB		
PTC		
PTD		
PWL14	Polygon Wire Table	546
PWL22		
PWL26		
PWM14		
PWM18		
PWM26		
PWS16		
PWS20		
PWS26		
RAR.	Eames® Molded Plastic Armchair Rocker Base	122
RAR.	Eames® Upholstered Molded Plastic Armchair Rocker Base	123
SBEV-	Envelope® Chair	72
SBLAC	Landmark Low Arm Chair	80
SBLAF		
SBLLC	Landmark Chair	83
SBLLF		
SBN1H	Saiba Conference Chair	90
SBN1M		
SBN3H	Saiba Multitask Chair	308
SBN3M		
SBN5H	Saiba Lounge	214
SBN6	Saiba Ottoman	215
SBN7M	Saiba Guest Chair	216
SBR4N	Bumper Lounge Chair	154
SBR5N	Bumper Conference Chair	306
SBRA-	Rolled Arm Club Chair	173
SBRA-	Rolled Arm Sofa	416
SBRLN	Bumper Side Chair	74
SBSC-	Scissor Chair	179
SBSD-		
SBSU-	Sled Chair	181
SD205	Officina Chair	48

SD207	Officina Stool	235
SD210	Milà Upholstered Chair	103
SD220	Officina Low Chair	131
SD222	Officina Bench	272
SD223	Officina Armchair	132
SD224	Officina Sofa	421
SD225		
SD226	Officina Ottoman	133
SD227	Officina Loinrest Cushion	228
SEB1B	Crosshatch Stool	265
SEB1C		
SES1A	Crosshatch Lounge Chair	156
SES1W		
SES2A	Crosshatch Side Chair	91
SES2W		
SES3A	Crosshatch Ottoman	159
SES3W		
SES4A	Crosshatch Settee	162
SES4W		
SFA1P	Taper Chair	309
SFA1S		
SFA1T		
SFA2P		
SFA2S		
SFA2T		
SFT1A	Full Twist™ Guest Chair	76
SFT1M		
SFT1N		
SFT1W		
SJAA	Reframe Mid-Back Lounge Chair	165
SJAW		
SJBA	Reframe High-Back Lounge Chair	168
SJBW		
SJCA	Reframe Wing-Back Lounge Chair	171
SJCW		
SNS1A	Nessel Chair	86
SNS1W		
SNS2A		
SNS2W		
ST1AN	Tuxedo Component Lounge™ Club Chair	183
ST1AQ		
ST1BN	Tuxedo Component Lounge™ Ottoman	185
ST1BQ		
ST1NN	Tuxedo Component Lounge™ Club Chair	183
ST1NQ		
ST2AL	Tuxedo Component Lounge™ Settee	375
ST2AN		

Index by Product Number *continued*

ST2AQ		
ST2AR		
ST2BN	Tuxedo Component Lounge™ Bench	278
ST2BQ		
ST2CL	Tuxedo Component Lounge™ Settee Corner	379
ST2CR		
ST2MN	Tuxedo Component Lounge™ Corner Sofa with Attached Settee	384
ST2MQ		
ST2NN	Tuxedo Component Lounge™ Settee	375
ST2NQ		
ST3AL	Tuxedo Component Lounge™ Sofa	373
ST3AN		
ST3AQ		
ST3AR		
ST3BN	Tuxedo Component Lounge™ Museum Bench	280
ST3BQ		
ST3CL	Tuxedo Component Lounge™ Sofa Corner	382
ST3CR		
ST3DN	Tuxedo Component Lounge™ Daybed	187
ST3DQ		
ST3MN	Tuxedo Component Lounge™ Corner Sofa with Attached Sofa	386
ST3MQ		
ST3NN	Tuxedo Component Lounge™ Sofa	373
ST3NQ		
STGP	Tuxedo Ganging Plate	429
SVMP	Leeway™ Metal Frame Side Chair	98
SVMUA		
SVMUW		
SVMWA		
SVMWW		
SVSPB	Leeway™ Stool	268
SVSPC		
SVSUA		
SVSUW		
SVSWA		
SVSWW		
SVV4A	Brabo Lounge Chair	219
SVV4W		
SVV5A	Brabo Settee	410
SVV5W		
SVV6A	Brabo Sofa	413
SVV6W		
SVWUA	Leeway™ Wood Side Chair	95
SVWUW		
SVWWA		

SVWWW		
SX1AL	Tuxedo Component Lounge with Table - One Seat	189
SX1AR		
SX1NL		
SX1NR		
SX2AL	Tuxedo Component Lounge with Table - Two Seats	193
SX2AR		
SX2CL		
SX2CR		
SX2NL		
SX2NR		
SZ1AB	Tuxedo Classic Club Chair	196
SZ2AB	Tuxedo Classic Settee	388
SZ2AL		
SZ2AN		
SZ2AR		
SZ2CL	Tuxedo Classic Corner Settee	393
SZ2CR		
SZ2ZL		
SZ2ZR		
SZ3AB	Tuxedo Classic Sofa	397
SZ3AL		
SZ3AN		
SZ3AR		
SZ3CL	Tuxedo Classic Corner Sofa	401
SZ3CR		
SZ3ZL		
SZ3ZR		
TB100	Distil Desk	435
TB200	Distil Table	436
TE0204	Nelson™ Thin Edge Double Dresser	572
TE1618	Nelson™ Thin Edge Bedside Table	567
TE2100	Nelson™ Thin Edge Chest	568
TE2134	Nelson™ Thin Edge Cabinet	569
TE2167	Nelson™ Thin Edge Buffet	571
TE3400	Nelson™ Thin Edge Chest Cabinet	570
TT1AA	Wood Base Club Chair	222
TT1AW		
TT1BA	Wood Base Ottoman	225
TT1BW		
TT2AA	Wood Base Settee	423
TT2AW		
TT3AA	Wood Base Sofa	426
TT3AW		
TV275	Traffic Table	475
XXSD1	Stanley Chair	94
XXSD2	Mila Chair	714, 47

Index by Product Number *continued*

Index: Product Number

XXSD2 Traffic Armchair Leather	135
XXSD2 Traffic Armchair Upholstered	134
XXSD2 Traffic Armchair Upholstered (Suitable for Outdoor Use)	136
XXSD2 Traffic Chaise Lounge Leather	144
XXSD2 Traffic Chaise Lounge Upholstered	143
XXSD2 Traffic One-Seater Bench Leather	284
XXSD2 Traffic One-Seater Bench Upholstered	282
XXSD2 Traffic One-Seater Bench Upholstered (Suitable for Outdoor Use)	283
XXSD2 Traffic Platform Leather	289
XXSD2 Traffic Platform Upholstered	288
XXSD2 Traffic Tablet in Acrylic Stone	145
XXSD2 Traffic Three-Seater Sofa Leather	142
XXSD2 Traffic Three-Seater Sofa Upholstered	140
XXSD2 Traffic Three-Seater Sofa Upholstered (Suitable for Outdoor Use)	141
XXSD2 Traffic Two-Seater Bench Leather	287
XXSD2 Traffic Two-Seater Bench Upholstered	285
XXSD2 Traffic Two-Seater Bench Upholstered (Suitable for Outdoor Use)	286
XXSD2 Traffic Two-Seater Sofa Leather	139
XXSD2 Traffic Two-Seater Sofa Upholstered	137
XXSD2 Traffic Two-Seater Sofa Upholstered (Suitable for Outdoor Use)	138
XXTV2 Traffic Low Side Table	552, 544
XXTV2 Traffic Low Side Table, Suitable for Outdoor Use	553, 545
XXTV2 Traffic Low Square Table	550
XXTV2 Traffic Low Square Table, Black HPL Top	543
XXTV2 Traffic Low Square Table, Suitable for Outdoor Use	551
XXTV2 Traffic Low Square Table, White HPL Top	542
XXTV2 Traffic Low Table	548
XXTV2 Traffic Low Table, Black HPL Top	541
XXTV2 Traffic Low Table, Suitable for Outdoor Use	549
XXTV2 Traffic Low Table, White HPL Top	540

20-Day or Less/Assigned Lead-Time Order Information

20-Day or Less and Assigned Lead-Time Programs

20-day or less and assigned lead-time products are designed for established Herman Miller dealers with pre-approved credit.

Products are distributed from multiple manufacturing facilities across the United States. All products and options not designated by an Assigned Lead-Time icon **A** will ship in 20 business days or less after being acknowledged by Herman Miller. Products and options designated by an **A** are on the assigned lead-time program and will ship in 20 days, less than 20 days, or more than 20 days from order acknowledgement.

Ordering Procedure

Please place orders through Order Manager. If this is not available to you, place orders through mail or fax. Verbal purchase orders will not be accepted.

Order Entry fax number for Passage®, 5000 Series, and Meridian® Filing and Storage: (616) 846 9236.

Order Entry fax number for all other products:
(616) 654 3085.

For more information, contact your Customer Care representative at:
(866) 854 3048 EXT 3400.

Shipments and Delivery

Per Herman Miller Terms and Conditions.

Changes and Cancellation

Per Herman Miller Terms and Conditions.

Stain-to-Match Program

Stain-to-Match Program

Program Overview

The Stain-to-Match program gives you the option of using veneer finishes that are not listed in the standard offering. The program allows Herman Miller to match a customer's existing recut or natural veneer, or create a new finish that is unique to an installation.

Specific information on approval, ordering, pricing, and warranty for the Stain-to-Match program is listed below. Questions and requests for assistance may be directed to Herman Miller Options at:

(800) 654 3910

Stain-to-Match Process

1. Fill out the Options Stain-to-Match Request Form and send along with a color sample (2" x 3" minimum) to the Herman Miller Options Applications Team at the address provided on the form. The form can be found on Omni.
2. Within 7-10 working days, Herman Miller Options will send a sample of the color-matched stain on Herman Miller veneer to the requester for the customer's signed approval.
3. If the sample meets the customer's approval, sign the reverse side of the sample, scan and email the approval to:
options@hermanmiller.com.
4. After the stain has been approved, a formal quotation with special number and pricing can be provided, or the product can be specified through the Vary Easy program, if available. Work with the Options team on final product needs and how to specify.
5. A purchase order can then be placed.

Stain-to-Match Warranty

Herman Miller warrants its products to be free from defects in craftsmanship from the date of delivery for the applicable warranty period. Herman Miller is responsible for the physical properties of the veneers available through the Stain-to-Match program, which include:

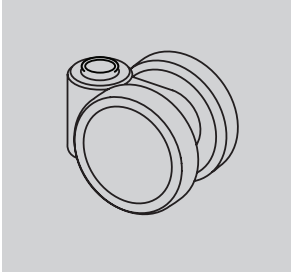
- STA: Stain-to-Match on Recut Ash
- STB: Stain-to-Match on Beech
- STC: Stain-to-Match on Cherry
- STD: Stain-to-Match on Oak
- STK: Stain-to-Match on Reltech Anigre (Geiger)
- STM: Stain-to-Match on Recut Mahogany
- STP: Stain-to-Match on Maple
- STU: Stain-to-Match on Walnut (Geiger)

See your specification tool for product specific finish offering limitations.

Casters and Glides

▲	WARNING	▲
Depending on the floor surface, chair may unexpectedly roll away from user when entering or exiting the chair, possibly leading to unexpected injury. Please refer to descriptions of floor types when selecting casters.		

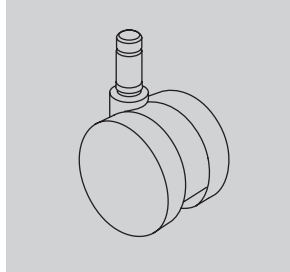
32 Caster



17/8-inch-diameter hard double-wheel caster; black nylon wheels and yoke; for use on carpet only

Applicable on:
Keyn Chairs
Sayl® Chairs

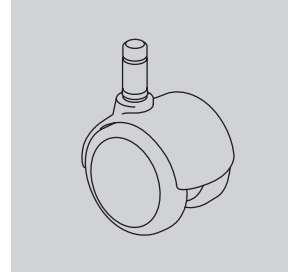
BB Caster



2 1/2-inch-diameter hard double-wheel caster; black nylon wheels and yoke; for use on carpet only

Applicable on:
New Aeron® Chairs
Caper® Chairs
Celle® Chairs
Embody® Chairs
Equa 2® Chairs
Ergon 3® Chairs
Lino™ Chairs Sayl Chairs
Mirra 2 Chairs Verus™ Chairs

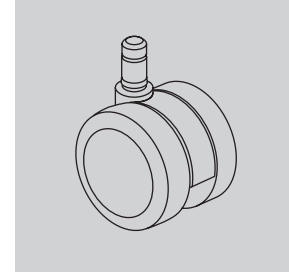
BSC Caster



2-inch-diameter double-wheel caster; black nylon wheels and hood; soft polyurethane tread; for use on hard floors or carpet

Applicable on:
Eames® Aluminum Group
Eames Executive Chairs
Eames Soft Pad Group
Eames Task Chairs

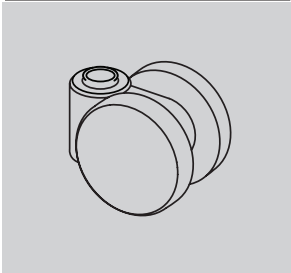
C9 Caster



2 1/2-inch-diameter double-wheel caster; black nylon wheels and yoke; soft polyurethane tread; internal brake; for use on hard floors or carpet

Applicable on:
Caper Chairs
Celle Chairs
Embody Chairs
Equa 2 Chairs
Ergon 3 Chairs
Keyn Chairs Sayl Chairs
Lino Chairs Setu® Chairs
Mirra 2 Chairs Verus Chairs

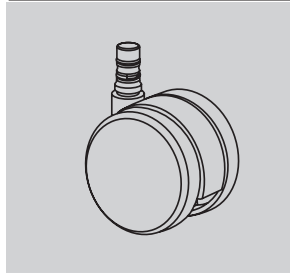
49 Caster



17/8-inch-diameter soft double-wheel caster; black nylon wheels and yoke; for use on hard floors or carpet

Applicable on:
Keyn Chairs
Sayl Chairs

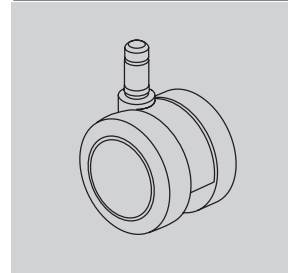
BKS Caster



2 1/2-inch-diameter hard double-wheel caster; black yoke; quiet roll technology; for use on carpet only

Applicable on:
Cosm™ Chairs

C7 Caster



2 1/2-inch-diameter double-wheel caster; black nylon wheels and yoke; soft polyurethane tread; for use on hard floors or carpet

Applicable on:
New Aeron Chairs
Caper Chairs
Celle Chairs
Embody Chairs
Equa 2 Chairs
Ergon 3 Chairs
Lino Chairs
Mirra 2 Chairs
Sayl Chairs Verus Chairs

CA Caster



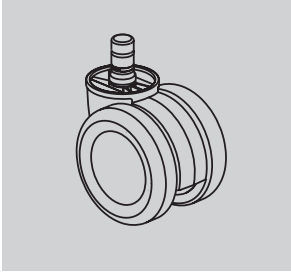
2-inch-diameter single-wheel caster; black rubber wheel with black yoke; for use on hard floors or carpet

Applicable on:
Co/Struc® System

Casters and Glides

continued

DC1 Caster

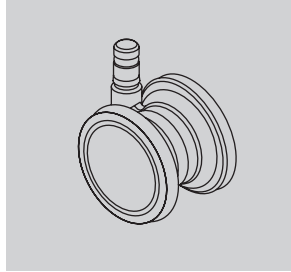


2 1/2-inch-diameter double-wheel braking caster; black nylon wheels and yoke; for use on hard floors or carpet; quiet roll technology

Applicable on:

New Aeron Chairs

H9 Caster

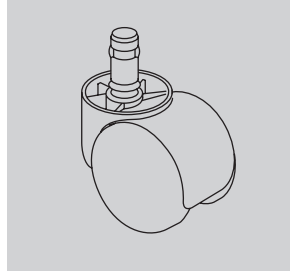


2 1/2-inch-diameter double-wheel caster; clear polycarbonate wheels; nylon yoke; soft polyurethane tread; for use on carpet only.

Applicable on:

Embody Chairs
Keyn Chairs

HW Caster

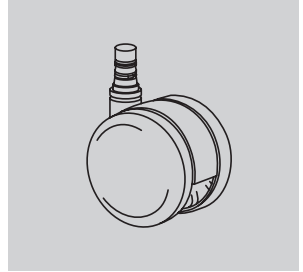


2-inch-diameter double-wheel caster; black nylon wheels and hood; for use on carpet only

Applicable on:

Limerick® Cart

O2 Caster

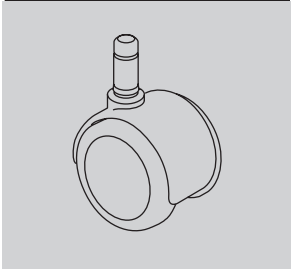


2 1/2-inch-diameter double-wheel caster; nylon wheels and yoke; soft polyurethane tread; quiet roll technology; for use on hard floors or carpet

Applicable on:

Cosm Chairs

DS Caster

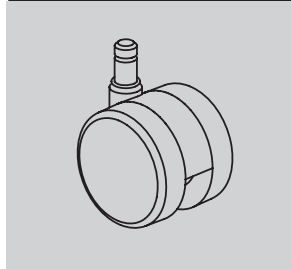


2-inch-diameter soft double-wheel braking caster; black nylon wheels and hood; for use on hard floors only

Applicable on:

Aside® Chairs
Caper Chairs

HCC Caster

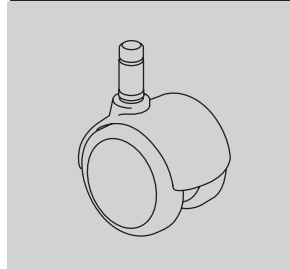


2 1/2-inch-diameter double-wheel low roll resistance caster; black yoke; for use on hard floors or carpet.

Applicable on:

Keyn Chairs
Setu Chairs

MD Caster

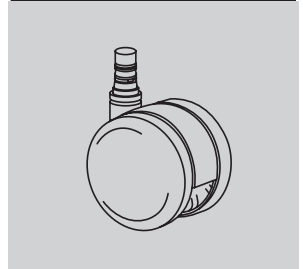


2-inch-diameter double-wheel caster; black nylon wheels with integral chrome hood; soft polyurethane tread; for use on hard floors or carpet

Applicable on:

Eames® Aluminum Group
Eames Executive Chairs
Eames Soft Pad Group
Eames Task Chairs

OC Caster



2 1/2-inch-diameter double-wheel medium roll-resistant caster; black nylon wheels and yoke; soft polyurethane tread; for use on hard floors or carpet; quiet roll technology

Applicable on:

Cosm Chairs
Keyn Chairs
Setu Chairs

Casters and Glides

continued

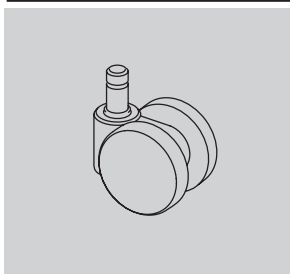
SC8 Caster



2 1/2-inch-diameter double-wheel caster; black nylon wheels and yoke; soft polyurethane tread; quiet roll technology; for use on hard floors or carpet

Applicable on:
Cosm Chairs
Mirra 2 Chairs

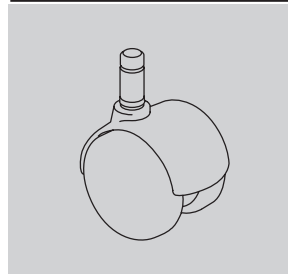
U4 Caster



1 7/8-inch-diameter hard double-wheel caster; black nylon wheels and yoke; for use on carpet only

Applicable on:
Aside Chairs
Caper Chairs
Verus Chairs

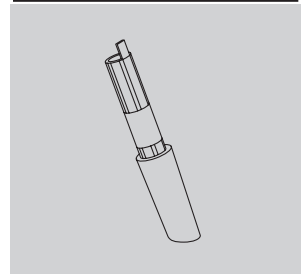
UD Caster



2-inch-diameter hard double-wheel caster; black nylon wheels with painted hood; for use on carpet only

Applicable on:
Eames® Aluminum Group
Eames Executive Chairs
Eames Soft Pad Group
Eames Task Chairs

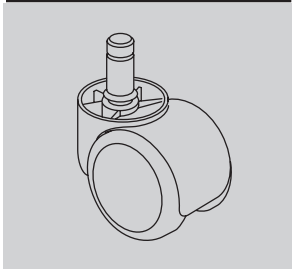
16 Glide



(Front glide shown)
2 1/8-inch-high glide; black or fog acetal; for use on carpet only

Applicable on:
Sayl Chairs

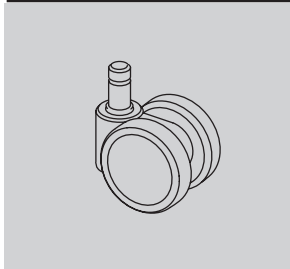
SW Caster



2-inch-diameter soft double-wheel caster; black nylon wheels and hood; for use on hard floors only

Applicable on:
Limerick Cart

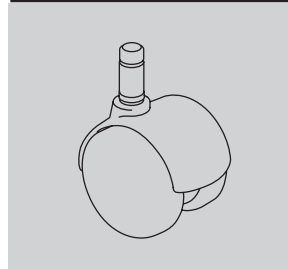
U5 Caster



1 7/8-inch-diameter soft double-wheel caster; black nylon wheels and yoke; for use on hard floors or carpet

Applicable on:
Aside Chairs
Caper Chairs
Verus Chairs

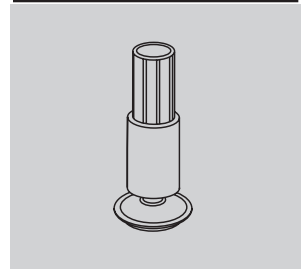
VD Caster



2-inch-diameter hard double-wheel caster; black nylon wheels with integral chrome hood; for use on carpet only

Applicable on:
Eames Aluminum Group
Eames Executive Chairs
Eames Soft Pad Group
Eames Task Chairs

69 Glide



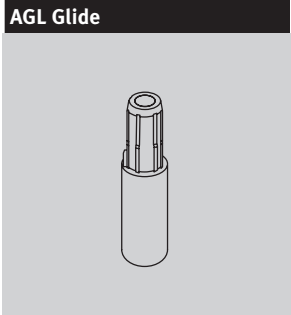
(Front glide shown)
2 1/8-inch-high glide; black glass-filled nylon stem; steel-plated swivel foot with Floor Saver Glide™ insert; for use on hard floors only

Applicable on:
Sayl Chairs

Casters and Glides

continued

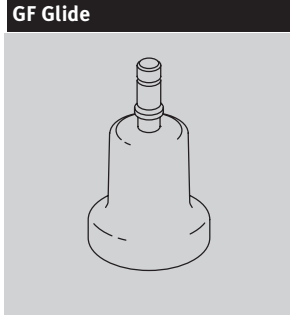
Appendix: Casters and Glides



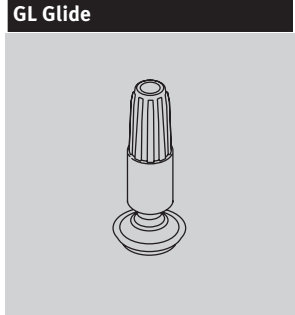
AGL Glide
 2¹/₄-inch-high glide; black or white nylon stem; for use on carpet only
 Applicable on:
 Keyn Chairs



G4 Glide
 1⁷/₈-inch-high glide; black acetal; for use on carpet only
 Applicable on:
 Verus Chairs



GF Glide
 2¹/₂-inch-high glide; black nylon; for use on hard floors or carpet
 Applicable on:
 New Aeron Chairs
 Capex Chairs
 Celle Chairs
 Cosm Chairs
 Equa 2 Chairs
 Ergon 3 Chairs
 Lino Chairs
 Mirra 2 Chairs
 Sayl Chairs
 Verus Chairs



GL Glide
 1⁷/₈-inch-high glide; black nylon stem; steel-plated swivel foot with Floor Saver Glide™ insert; for use on hard floors only
 Applicable on:
 Verus chairs



FSG Glide
 2¹/₄-inch-high glide; black or white nylon stem; steel-plated swivel foot with Floor Saver Glide™ insert; for use on hard floors only
 Applicable on:
 Keyn Chairs



GD Glide
 1¹/₂-inch-diameter glide; 1/2 inch in height; black nylon; for use on hard floors or carpet
 Applicable on:
 Eames Aluminum Group
 Eames Executive Chairs
 Eames Soft Pad Group
 Eames Task Chairs



GG Glide
 1/2-inch-high ganging glide; clear polycarbonate; for use on hard floors or carpet
 Applicable on:
 Limerick Chairs



HG Glide
 1/2-inch-high glide; black nylon glide with stainless-steel insert; for use on hard floors or carpet
 Applicable on:
 Aside Chairs

Casters and Glides

continued

SB Glide

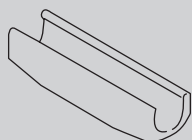


1/4-inch-high, 1-inch diameter glide; thermoplastic CAP material (G1 base has black glides; XT base has clear glides); for use on hard floors or carpet

Applicable on:

Equa 2 Chairs

SG Glide (for Limerick)

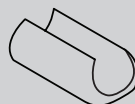


1/2-inch-high glide; clear polycarbonate; for use on hard floors or carpet

Applicable on:

Limerick Chairs

XS Glide



1/8-inch-high glide; polycarbonate in black, fog, clear, and studio white finishes; for use on hard floors or carpet

Applicable on:

Sayl Chairs

YX Glide



1 7/8-inch-high glide; black nylon stem; steel-plated swivel foot with Floor Saver Glide™ insert; for use on hard floors only

Applicable on:

Caper Chairs

SG Glide (for Aside)

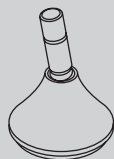


1/2-inch-high glide; black nylon; for use on carpet only

Applicable on:

Aside Chairs

X8 Glide



Glide; low profile; for use on hard floors or carpet

Applicable on:

Setu Chairs

Y7 Glide



1 7/8-inch-high glide; black acetal; for use on carpet only

Applicable on:

Caper Chairs



Customer's Own Material/Customer's Own Leather Order Information — Seating

Packaging

Packaging varies according to individual product. A surcharge may be added for special packaging requests. Contact Customer Care for specific information.

Customer's Own Material/Customer's Own Leather

Program Overview

The Customer's Own Material (COM) and Customer's Own Leather (COL) program gives you the option of using textiles other than those listed. Herman Miller will test textiles for application to Herman Miller products and will process orders for those with approved COM/COL textiles only. COM/COL are assigned lead-time textiles.

Omni lists an overview of fabrics and leathers that have been tested and indicates whether or not they were approved for application to Herman Miller products.

Specific information on the terms and conditions, testing, approval, and ordering process for COM/COL is listed below. Questions about the COM/COL program and requests for assistance may be directed to your COM representative at:

(616) 654 3400

(866) 854 3048 EXT 6543400

Customer's Own Material/Customer's Own Leather Warranty

Herman Miller does not warrant COM/COL textiles. COM/COL textiles are tested for application only; they are not tested for performance. The Herman Miller warranty does apply to the underlying products.

Suppliers of COM/COL textiles are responsible for color consistency within commercial tolerances, UV stability, and resistance to soiling and perspiration.

Customer's Own Material/Customer's Own Leather Pricing

COM is a Category 1 fabric. There are no application charges for COM fabrics. COL is a Category 7 textile; refer to prices on specific products to determine the application charge.

Ordering and payment for COM/COL textile yardage are the responsibility of the customer and the textile supplier.

If desired, Herman Miller will purchase COM textiles directly from True Textiles, C.F. Stinson, Luna Textiles, Maharam, and Momentum Textiles to simplify ordering and shipment. For this service, refer to the Supplier Connection program.

Textile Approval

1. Select a COM/COL textile and a Herman Miller product.
2. If your textile is not listed in Omni, obtain a test number from a COM representative at (616) 654 3400. You can also submit your request within Omni. Please have the following information ready before calling: textile name, number, pattern, roll width, and the product you will apply it to.

Additional yardage may be needed due to the unique characteristics of a textile. All package labels must include the words "COM test" or "COL test" and the assigned COM/COL test number.

3. Herman Miller will notify you of approval or disapproval within 4 days from receipt of the test yardage.

Ordering Products with COM/COL

1. Refer to the specific products to determine the yardage required for COM/COL textiles.
2. If your textile is not listed in Omni, call a COM representative at (616) 654 3400 or (866) 854 3048 EXT 6543400. The representative will assign an identification number for your textile (ID#) and will verify yardage requirements for your order. Additional yardage may be needed due to the unique characteristics of a textile.
3. Enter your order on Order Manager in Omni.
4. Upon receipt of your purchase order, Herman Miller will send you a PO acknowledgment.
5. Arrangements must be made for the textiles to be shipped from the supplier to Herman Miller for application to the seating products. Textiles must be tagged with the assigned identification number and the roll yardage quantity. See Omni for shipping procedures and current shipping addresses or contact a COM representative at (616) 654 3400 or (866) 854 3048 EXT 6543400.

Products will be scheduled for production when COM/COL textiles are received at Herman Miller. Standard lead times in effect at that time will apply.

Note: If textiles are to be purchased directly by Herman Miller through the Supplier Connection program, Herman Miller will handle the ordering and shipping process and will schedule your order for production upon receipt of your purchase order (dependent on textile availability). Refer to the Supplier Connection program for more information.

Customer's Own Material/Customer's Own Leather Order Information — Seating

continued

Supplier Connection

Program Overview

The Supplier Connection program is a service offered by Herman Miller to purchase approved COM textiles directly from True Textiles, C.F. Stinson, Luna Textiles, Maharam, and Momentum Textiles. When you select a textile through this program, Herman Miller will facilitate the ordering, scheduling, and shipment of the textile directly with the supplier.

Suppliers included in the Supplier Connection program keep an active inventory of textiles that are pre-approved for application to Herman Miller products. Pre-approval applies only to the suitability of a textile for manufacturing and application to a Herman Miller product. Omni provides an overview of fabrics that have been tested and indicates whether or not they were approved for application to Herman Miller products.

Specific information on the terms and conditions, testing, approval, and ordering process for the Supplier Connection program is listed below. Questions and requests for assistance may be directed to your COM representative at:

(616) 654 3400

(866) 854 3048 EXT 6543400

Supplier Connection Warranty

Textiles purchased by Herman Miller through the Supplier Connection program are COM and are not warranted by Herman Miller. COM textiles are tested for application only; they are not tested for performance. The Herman Miller warranty does apply to the underlying products.

Suppliers of COM textiles are responsible for color consistency within commercial tolerances, UV stability, and resistance to soiling and perspiration.

Supplier Connection Pricing

Textiles purchased by Herman Miller through the Supplier Connection program are COM. COM is a Category 1 fabric. There are no application charges for COM fabrics.

Payment for textiles purchased by Herman Miller through the Supplier Connection program is the responsibility of the customer or dealer. Herman Miller will invoice the order at the supplier's prices published at the time of the order.

Textile Approval

1. Refer to Omni to identify the approval status of the textile. If your textile is not listed, contact the COM Department to request testing for application to Herman Miller products.
2. Herman Miller will notify you of approval or disapproval in approximately 4 days from receipt of the test yardage. If the textile is approved, it will be assigned a COM identification number.

Ordering Products with Supplier Connection COM

1. Identify and include the following information on your purchase order:
 - Product number and option
 - Herman Miller's COM identification number
2. Enter your order on Order Manager in Omni.
3. Upon receipt of the purchase order, Herman Miller will process your order and send you a PO acknowledgment. Herman Miller will determine the yardage required to produce your product and will order and schedule for delivery the required textile. Standard lead times in effect at the time the textile is allocated at the supplier will apply to products ordered through this program.

Proprietary Textiles Application Chart — Collection Seating, HermanMiller

• Available

[A] Assigned lead-time textile.
See below for exception notes.

[N] Non-woven textile.

* Available in select colors on 20-day lead-time. Refer to “Proprietary Textile Colors - Collection Seating”.

	Bevel Sofa Group	Bolster Sofa Group	Chadwick Modular Seating	ColourForm Sofa Group	Eames® Aluminum Group Outdoor	Eames Aluminum Group Chairs/Ottomans	Eames Executive Chairs	Eames Lounge Chairs/Ottomans	Eames Molded Fiberglass/Plastic/Wood Chairs Upholstered Seat Pad	Eames Molded Fiberglass/Plastic Chairs Upholstered	Eames Molded Plywood Chair Upholstered	Eames Sofa, 2 and 3 Seat	Eames Sofa Compact	Eames Soft Pad Chairs	Eames Task Chair	Eames Wire Seating	Goetz™ Sofa	Lispenard Sofa Group	Module Lounge Seating	Nelson™ Daybed Cushion/Bolsters	Nelson Marshmallow Sofa	Nelson Pedestal Stool	Nelson Platform Bench Cushion	Striad Lounge Chair/Ottoman	Wireframe™ Sofa Group	
Price Category 1																										
COM Customer's Own Material [A]	1	1				1	1				1	1	13	1		1	1		1		1	1	1			1
3DE__ Dex	•	•							•		•		13				•		•			•	•			•
95__ Gem							•				•		13	•			•						•			•
4W__ Lyris 2™																										
1MN__ Monologue	•	•				•	•				•		13				•		•			•	•			•
235__ Tailored													13	•			•						•	•		•
1WS__ Whisper	•	•				•					•						•		•			•	•			•
Price Category 2																										
3AR__ Aristo	•	•							•		•		13				•	•				•	•	•		•
92__ Crepe						•	•		•				13	•	•		•				•					•
3EP__ Epic	•	•							•				13				•		•				•	•		•
22Q__ Fish Net											•		13				•		•				•	•		•
1MV__ Marvel [N]	•	•																								•
1HA__ Medley	•	•	•			•	•		•	•	•		13	•	•	•	•	•	•	•		•	•			•
3A__ Moiré						•	•						13				•						•	•		•
30__ Rhythm											•						•					•				•
1RV__ Rivet						•					•		13	•			•		•			•	•			•
3SL__ Sequel [N]						•	•		•		•		13	•		•	•	•			•	•		16		•
8R__ Twist						•	•				•		13	•			•		•			•				•
22T__ Well Suited											•						•						•			•
Price Category 3																										
3AC__ Ace [N]						•	•		•	•			13	•			•					•	•			•
70__ Bento																										•
216__ Cambrai - Geiger Textile	•	•	•																							•
ZM2__ Meld - Maharam [A] *	•	•											13				•			•	•	•	•			•
1MP__ Mini Plaid - Geiger Textile	•	•																								•
198__ Pinpoint - Geiger Textile	•	•											13				•		•							•
22R__ Pins and Needles													13				•									•
180__ Saille - Geiger Textile	•	•	•			•					•		13	5			•		•							•
22V__ String Plaid							•				•		13	•			•		•							•
167__ Tweeded Stripe - Geiger Textile	•	•									•		13				•		•							•
Price Category 4																										
1GM__ Antico - Geiger Textile [N]	•	•				•	•		•	•			13	•		•	•	•				•	•			•
1AK__ Bateau - Geiger Textile	•	•																								•
7Y__ Bingo [A][N]						•	•						13				•					•				•
1AG__ Braid - Geiger Textile	•	•					•				•		13				•		•			•	•			•
54__ Cygnus™							7																			•
1AE__ Derby - Geiger Textile	•	•																								•
214__ Ecohide Classic - Geiger Textile [N]						•							13	•			•									•
1AF__ Fringe - Geiger Textile	•	•											13				•		•				•			•
177__ Granno - Geiger Textile [N]	•	•				•							13				•		•							•
1AT__ Irregular Grid - Geiger Textile	•	•															•		•							•
1AL__ Kalista - Geiger Textile	•	•				•	•						13	•			•		•				•	•		•
1MH__ Micro Houndstooth - Geiger Textile	•	•															•		•							•
1GR__ Novello - Geiger Textile [N]						•			•							•	•	•					•	•		•
1AU__ Piccolo - Geiger Textile	•	•																								•
197__ Ottoman - Geiger Textile	•	•															•		•							•
8Y__ Spools						•	•						13	•			•		•							•
22P__ Strata							•						13				•		•							•
3SY__ Sync							•		•		•		13	•			•		•							•

continued on next page

Proprietary Textiles Application Chart — Collection Seating, HermanMiller

continued

• Available

[A] Assigned lead-time textile.
See below for exception notes.

[N] Non-woven textile.

	Bevel Sofa Group	Bolster Sofa Group	Chadwick Modular Seating	ColourForm Sofa Group	Eames® Aluminum Group Outdoor	Eames Aluminum Group Chairs/Ottomans	Eames Executive Chairs	Eames Lounge Chairs/Ottomans	Eames Molded Fiberglass/Plastic/Wood Chairs Upholstered Seat Pad	Eames Molded Fiberglass/Plastic Chairs Upholstered	Eames Molded Plywood Chair Upholstered	Eames Sofa, 2 and 3 Seat	Eames Sofa Compact	Eames Soft Pad Chairs	Eames Task Chair	Eames Wire Seating	Goetz™ Sofa	Lispenard Sofa Group	Module Lounge Seating	Nelson™ Daybed Cushion/Bolsters	Nelson Marshmallow Sofa	Nelson Pedestal Stool	Nelson Platform Bench Cushion	Striad Lounge Chair/Ottoman	Wireframe™ Sofa Group	
Price Category 8																										
1GS__ Allusion - Geiger Textile																										•
187__ Basketweave - Geiger Textile																		•								•
1GT__ Foot Hills - Geiger Textile									•		•				•								•			•
1SE__ Semplice Leather - Geiger Textile [N]						•	•		•		•			•		•	•							•		•
161__ Staple - Geiger Textile																										•
1AY__ Striscia - Geiger Textile									•	•		13					•						•	•		•
Price Category 9																										
185__ Alpaca Mohair - Geiger Textile	•	•															•		•				•			
223__ Corded Stripe - Geiger Textile	•	•																•		•						•
21__ Leather [N]	•	•				•	•	•	•		•	•		•		•	•	•			•		•	•		•
Price Category 10																										
5-5__ Bristol Leather - Geiger Textile (5-6__)[N]	•	•				•	•	•			•	•		•			•		•			•	•	•		•
196__ Moleskin Emboss - Geiger Textile												13					•									•
Price Category 11																										
1R__ MCL Leather [N] [A]	•	•				•	•	•	•		•	•		•		•	•	•			•	•		•	•	•
50A__ MCL Leather/Hallingdal [N] [A]														•												•
175__ Tenera Leather - Geiger Textile [N]	•	•				•	•				•						•		•		•		•	•		•

1 Refer to price book appendices and Omni for COM/COL information.

5 Not available in Saille 18005 White on Eames Soft Pad Group Chairs/Ottomans.

7 Available only on Eames Aluminum Group Chair EA334, EA335.

13 Fabric is railroaded.

16 Not available on Striad Chair cushions.



Proprietary Textiles Application Chart — Collection Seating, Geiger

• Available

[A] Assigned lead-time textile.
See below for exception notes.

[N] Non-woven textile.

* Available in select colors
on 20-day lead-time. Refer to
“Proprietary Textile Colors -
Collection Seating”.

	Brabo™ Lounge Seating	Bumper™ Seating	Crosshatch™ Lounge Seating	Crosshatch Side Chair	Envelope™ Chair	Full Twist™ Chair	Landmark™ Chair	Leeway™ Seating	Nessel™ Chair	Reframe™ Lounge Seating High-Back Chair	Reframe Lounge Seating Mid-Back Chair	Reframe Lounge Seating Wing-Back Chair	Rolled Arm™ Sofa Group	Saiba™ Seating	Scissor™ Chair	Sled™ Chair	Taper™ Chair	Tuxedo Component Lounge™/Tuxedo Classic Seating—Non-quilted	Tuxedo Component Lounge™/Tuxedo Classic Seating—Quilted	Wood Base™ Lounge Seating
Price Category 1																				
COM Customer's Own Material [A]	1	1	1		1	1	1	1	1	1	1	1	1	1	1	1	1	1	1	1
3DE__ Dex	•																			
95__ Gem			•	•				•												
4W__ Lyris 2™											•	•								
1MN__ Monologue			•		•	•	•		•										•	•
235__ Tailored	•	•	•		•	•	•		•	•	•			•	•	•	•		•	•
1WS__ Whisper	•	•	•		•	•	•		•				•	•	•	•	•		•	•
Price Category 2																				
3AR__ Aristo		•	•	•	•	•	•		•					•	•	•	•		•	•
92__ Crepe		•	•	•	•	•	•		•					•	•	•	•		•	•
3EP__ Epic		•	•	•	•	•	•		•					•	•	•	•		•	•
22Q__ Fish Net		•	•	•	•	•	•		•					•	•	•	•		•	•
1MV__ Marvel [N]		•	•	•	•	•	•		•					•	•	•	•		•	•
1HA__ Medley		•	•	•	•	•	•		•					•	•	•	•		•	•
3A__ Moiré																				
30__ Rhythm			•	•				•												
1RV__ Rivet		•	•	•	•	•	•		•	•	•			•	•	•	•		•	•
3SL__ Sequel [N]		•	•	•	•	•	•		•					•	•	•	•		•	•
8R__ Twist										•	•								•	•
22T__ Well Suited								•												
Price Category 3																				
3AC__ Ace [N]		•	•	•		•	•		•										•	•
70__ Bento				•																
216__ Cambrai - Geiger Textile		•	•	•		•	•		•		•			•	•	•	•		•	•
ZM2__ Meld - Maharam [A] *		•	•	•		•	•		•		•			•	•	•	•		•	•
1MP__ Mini Plaid - Geiger Textile		•	•	•		•	•		•		•			•	•	•	•		•	•
198__ Pinpoint - Geiger Textile		•	•	•		•	•		•		•			•	•	•	•		•	•
22R__ Pins and Needles		•	•	•		•	•		•		•			•	•	•	•		•	•
180__ Saille - Geiger Textile		•	•	•		•	•		•		•			•	•	•	•		•	•
22V__ String Plaid		•	•	•		•	•		•		•			•	•	•	•		•	•
167__ Tweeded Stripe - Geiger Textile		•	•	•		•	•		•		•			•	•	•	•		•	•
Price Category 4																				
1GM__ Antico - Geiger Textile [N]		•	•	•		•	•		•		•			•	•	•	•		•	•
1AK__ Bateau - Geiger Textile		•	•	•		•	•		•		•			•	•	•	•		•	•
7Y__ Bingo [A][N]																				
1AG__ Braid - Geiger Textile		•	•	•		•	•		•		•									
54__ Cygnus™																				
1AE__ Derby - Geiger Textile		•	•	•		•	•		•		•			•	•	•	•		•	•
214__ Ecohide Classic - Geiger Textile [N]		•	•			•	•		•		•			•	•	•	•		•	•
1AF__ Fringe - Geiger Textile		•	•	•		•	•		•		•			•	•	•	•		•	•
177__ Granno - Geiger Textile [N]		•	•	•		•	•		•		•			•	•	•	•		•	•
1AT__ Irregular Grid - Geiger Textile		•	•	•		•	•		•		•			•	•	•	•		•	•
1AL__ Kalista - Geiger Textile		•	•	•		•	•		•		•			•	•	•	•		•	•
1MH__ Micro Houndstooth - Geiger Textile		•	•	•		•	•		•		•			•	•	•	•		•	•
1GR__ Novello - Geiger Textile [N]		•	•	•		•	•		•		•			•	•	•	•		•	•
1AU__ Piccolo - Geiger Textile		•	•	•		•	•		•		•			•	•	•	•		•	•
197__ Ottoman - Geiger Textile		•	•	•		•	•		•		•			•	•	•	•		•	•
8Y__ Spools																				
22P__ Strata		•	•	•		•	•		•		•			•	•	•	•		•	•
3SY__ Sync		•	•	•		•	•		•		•			•	•	•	•		•	•

continued on next page

Proprietary Textiles Application Chart — Collection Seating, Geiger

continued

• Available

[A] Assigned lead-time textile.

See below for exception notes.

Appendix: Proprietary Textiles Application Chart — Collection Seating, Geiger

	Brabo™ Lounge Seating	Bumper™ Seating	Crosshatch™ Lounge Seating	Crosshatch Side Chair	Envelope™ Chair	Full Twist™ Chair	Landmark™ Chair	Leeway™ Seating	Nessel™ Chair	Reframe™ Lounge Seating High-Back Chair	Reframe Lounge Seating Mid-Back Chair	Reframe Lounge Seating Wing-Back Chair	Rolled Arm™ Sofa Group	Saiba™ Seating	Scissor™ Chair	Sled™ Chair	Taper™ Chair	Tuxedo Component Lounge™/Tuxedo Classic Seating — Non-quilted	Tuxedo Component Lounge™/Tuxedo Classic Seating — Quilted	Wood Base™ Lounge Seating
Price Category 5																				
1GA__ Bouclé - Geiger Textile	•	•	•	•	•	•	•	•	•	•	•	•	•	•	•	•	•	•	•	•
1AQ__ Button-Up - Geiger Textile	•	•	•		•	•	•	•	•	•	•	•	•	•	•	•	•	•	•	•
1GV__ Claremont - Geiger Textile	•	•	•		•	•	•	•	•	•	•	•	•	•	•	•	•	•	•	•
1AD__ Dapper - Geiger Textile	•	•	•	•	•	•	•	•	•	•	•	•	•	•	•	•	•	•	•	•
168__ Essential Twill - Geiger Textile	•	•	•		•	•	•	•	•	•	•	•	•	•	•	•	•	•	•	•
1GE__ Harlow - Geiger Textile	•	•	•		•	•	•	•	•	•	•	•	•	•	•	•	•	•	•	•
193__ Herringbone - Geiger Textile	•	•	•	•	•	•	•	•	•	•	•	•	•	•	•	•	•	•	•	•
14A__ Hopsak		•	•		•	•	•	•	•	•	•	•	•	•	•	•	•	•	•	•
1GH__ Ingenue - Geiger Textile	•	•	•		•	•	•	•	•	•	•	•	•	•	•	•	•	•	•	•
1AS__ Iota - Geiger Textile	•	•	•		•	•	•	•	•	•	•	•	•	•	•	•	•	•	•	•
195__ Iron Cloth - Geiger Textile	•	•	•		•	•	•	•	•	•	•	•	•	•	•	•	•	•	•	•
1GL__ Lucio - Geiger Textile [N]		•	•	•	•	•	•	•	•	•	•	•	•	•	•	•	•	•	•	•
22N__ Noble (22H__)		•	•	•	•	•	•	•	•	•	•	•	•	•	•	•	•	•	•	•
1AP__ Pixel Stripe - Geiger Textile	•	•	•	•	•	•	•	•	•	•	•	•	•	•	•	•	•	•	•	•
1AR__ Straightaway - Geiger Textile	•	•	•		•	•	•	•	•	•	•	•	•	•	•	•	•	•	•	•
199__ Striae - Geiger Textile	•	•	•		•	•	•	•	•	•	•	•	•	•	•	•	•	•	•	•
3SU__ Summit [N]	•	•	•	•	•	•	•	•	•	•	•	•	•	•	•	•	•	•	•	•
218__ Threads - Geiger Textile	•	•	•		•	•	•	•	•	•	•	•	•	•	•	•	•	•	•	•
1GN__ Vaquero - Geiger Textile [N]	•	•	•	•	•	•	•	•	•	•	•	•	•	•	•	•	•	•	•	•
174__ Vavare - Geiger Textile	•	•	•		•	•	•	•	•	•	•	•	•	•	•	•	•	•	•	•
1GJ__ Vionette - Geiger Textile	•	•	•		•	•	•	•	•	•	•	•	•	•	•	•	•	•	•	•
Price Category 6																				
165__ Classic Velvet - Geiger Textile	•	•	•		•	•	•	•	•	•	•	•	•	•	•	•	•	•	•	•
1AM__ Gridwork - Geiger Textile	•	•	•		•	•	•	•	•	•	•	•	•	•	•	•	•	•	•	•
72__ Outdoor Weave																				
1GF__ Overture - Geiger Textile	•	•	•		•	•	•	•	•	•	•	•	•	•	•	•	•	•	•	•
170__ Pick-Stitch Plaid - Geiger Textile	•	•	•		•	•	•	•	•	•	•	•	•	•	•	•	•	•	•	•
1AJ__ Sommar - Geiger Textile	•	•	•		•	•	•	•	•	•	•	•	•	•	•	•	•	•	•	•
200__ Tattersall Reverse - Geiger Textile	•	•	•		•	•	•	•	•	•	•	•	•	•	•	•	•	•	•	•
Price Category 7																				
COL Customer's Own Leather [A]	1																			
1GX__ Amenia - Geiger Textile	•	•	•		•	•	•	•	•	•	•	•	•	•	•	•	•	•	•	•
1AX__ Bellano - Geiger Textile	•	•	•		•	•	•	•	•	•	•	•	•	•	•	•	•	•	•	•
172__ Capri - Geiger Textile	•	•	•	•	•	•	•	•	•	•	•	•	•	•	•	•	•	•	•	•
189__ Corduroy Plaid - Geiger Textile	•	•	•		•	•	•	•	•	•	•	•	•	•	•	•	•	•	•	•
1GW__ Dorset - Geiger Textile	•	•	•		•	•	•	•	•	•	•	•	•	•	•	•	•	•	•	•
220__ Double Beam Redux - Geiger Textile	•	•	•	•	•	•	•	•	•	•	•	•	•	•	•	•	•	•	•	•
1GC__ Epinglé - Geiger Textile	•	•	•		•	•	•	•	•	•	•	•	•	•	•	•	•	•	•	•
1GU__ Graphton - Geiger Textile	•	•	•		•	•	•	•	•	•	•	•	•	•	•	•	•	•	•	•
171__ Milaner - Geiger Textile	•	•	•	•	•	•	•	•	•	•	•	•	•	•	•	•	•	•	•	•
1AN__ Pantile - Geiger Textile	•	•	•		•	•	•	•	•	•	•	•	•	•	•	•	•	•	•	•
1AV__ Panno di Dolce - Geiger Textile	•	•	•		•	•	•	•	•	•	•	•	•	•	•	•	•	•	•	•
1AW__ Resca - Geiger Textile	•	•	•		•	•	•	•	•	•	•	•	•	•	•	•	•	•	•	•
163__ Sateen Weave - Geiger Textile	•	•	•		•	•	•	•	•	•	•	•	•	•	•	•	•	•	•	•
224__ True Herringbone - Geiger Textile	•	•	•	•	•	•	•	•	•	•	•	•	•	•	•	•	•	•	•	•
169__ Twill Plaid - Geiger Textile	•	•	•		•	•	•	•	•	•	•	•	•	•	•	•	•	•	•	•
201__ Velvet Plaid - Geiger Textile	•	•	•	•	•	•	•	•	•	•	•	•	•	•	•	•	•	•	•	•
217__ Vesture - Geiger Textile	•	•	•		•	•	•	•	•	•	•	•	•	•	•	•	•	•	•	•
162__ Wool Epinglé - Geiger Textile	•	•	•		•	•	•	•	•	•	•	•	•	•	•	•	•	•	•	•
202__ Wool Satin - Geiger Textile	•	•	•	•	•	•	•	•	•	•	•	•	•	•	•	•	•	•	•	•
166__ Wool Tweed - Geiger Textile	•	•	•		•	•	•	•	•	•	•	•	•	•	•	•	•	•	•	•

continued on next page

Proprietary Textiles Application Chart — Collection Seating, Geiger

• Available

[A] Assigned lead-time textile.
See below for exception notes.

[N] Non-woven textile.

	Brabo™ Lounge Seating	Bumper™ Seating	Crosshatch™ Lounge Seating	Crosshatch Side Chair	Envelope™ Chair	Full Twist™ Chair	Landmark™ Chair	Leeway™ Seating	Nessel™ Chair	Reframe™ Lounge Seating High-Back Chair	Reframe Lounge Seating Mid-Back Chair	Reframe Lounge Seating Wing-Back Chair	Rolled Arm™ Sofa Group	Saiba™ Seating	Scissor™ Chair	Sled™ Chair	Taper™ Chair	Tuxedo Component Lounge™/Tuxedo Classic Seating — Non-quilted	Tuxedo Component Lounge/Tuxedo Classic Seating — Quilted	Wood Base™ Lounge Seating
Price Category 8																				
1GS__ Allusion - Geiger Textile	•		•			•	•						•							
187__ Basketweave - Geiger Textile	•	•	•	•	•	•	•	•	•				•			•	•		•	•
1GT__ Foot Hills - Geiger Textile	•		•			•	•	•												
1SE__ Semplice Leather - Geiger Textile [N]	•	•	•	•	•	•	•	•	•	•	•									
161__ Staple - Geiger Textile	•	•				•	•	•					•							•
1AY__ Striscia - Geiger Textile	•		•		•	•	•		•										•	
Price Category 9																				
185__ Alpaca Mohair - Geiger Textile			•			•	•									•	•			
223__ Corded Stripe - Geiger Textile	•	•	•	•	•	•	•	•	•	•	•								•	
21__ Leather [N]	•	•	•	•	•	•	•	•	•	•	•		•	•	•	•	•	•	•	•
Price Category 10																				
5-5__ Bristol Leather - Geiger Textile (5-6__) [N]	•	•	•	•	•	•	•	•	•	•	•		•	9	•	•	•	•	•	•
196__ Moleskin Emboss - Geiger Textile	•		•		•	•	•						•		•				•	
Price Category 11																				
1R__ MCL Leather [N] [A]	•	•	•	•	•	•	•	•	•	•	•		•	•	•	•	•	•	•	•
175__ Tenera Leather - Geiger Textile [N]	•	•	•	•	•	•	•	•	•	•	•		•	•	•	•	•	•	•	•

1 Refer to Price Book appendices and Omni for COM/COL information.
9 Not available in Bristol Leather 5-597 Pure on Saiba Chair.



Proprietary Textile Colors — Collection Seating

Price Category 1

Customer's Own Material

See Order Information in Appendices. Assigned lead-time textile. [A](#)

Dex

54" wide
50% recycled polyester
50% polyester

3DE01	Frost
3DE02	Silver Pine
3DE03	Stone
3DE04	Shale
3DE05	Charcoal

Gem

54" wide
100% antimony-free polyester

9502	Tangerine
9503	Red
9507	Twilight
9508	Bayou
9510	Berry Blue
9511	Aqua Green
9512	Green Apple
9514	Black
9515	Slate Grey
9516	Fog

Lyris 2™

74% elastomeric
26% polyester

4W21	Alpine
4W22	Mango
4W23	Chartreuse
4W25	Berry Blue
4W26	Slate Grey
4W28	Chino
4W29	Rattan
4W30	Java
4W31	Graphite

Monologue

54" wide
56% recycled polyester
44% polyester

1MN01	Linen
1MN02	Alabaster
1MN03	Truffle
1MN04	Folkstone
1MN05	Silver Pine
1MN06	Slate
1MN07	Seed
1MN08	Yellow Oxide
1MN09	Persimmon
1MN10	Tundra
1MN11	Meadow
1MN12	Blue Sky
1MN13	Blue Spruce
1MN14	Deep Sea

Tailored

54" wide
56% polyester
44% recycled polyester

23501	Studio White
23502	Sugar
23503	Tomato
23504	Orchid
23505	Boysenberry
23506	Chive
23507	Bluegrass
23508	Cobalt
23509	Cadet
23510	Fog
23511	Graphite
23512	Black
23513	Coffee

Whisper

54" wide
73% recycled polyester
27% polyester

1WS01	Sand Dollar
1WS02	Pebble
1WS03	Silver Birch
1WS04	Iceberg
1WS05	Silver Pine
1WS06	Carbon
1WS07	Cumin
1WS08	Adobe
1WS09	Strawberry
1WS10	Blush
1WS11	Eggplant
1WS12	Willow
1WS13	Sea Grass
1WS14	Pool
1WS15	Blueberry

Price Category 2

Aristo

54" wide
88% recycled polyester
12% polyester
Acrylic backing

3AR01	Forest Moss
3AR02	Light Brindle
3AR03	Mink
3AR04	Copper
3AR05	Adobe
3AR06	Cherry
3AR07	Lilac
3AR08	Green Apple
3AR09	Surf
3AR10	Waterfall
3AR11	Cadet
3AR12	Tin
3AR13	Pewter
3AR14	Grey Brindle
3AR15	Grey Black

Crepe

54" wide
100% recycled polyester

9201	Licorice
9203	Smoke
9207	Cherry
9209	Claret
9212	Raisin
9218	Aquamarine
9223	Cadet
9241	Beachglass
9243	Midnight
9244	Artichoke
9248	Warm White
9249	Stone
9250	Earth
9251	Fog
9252	Slate Grey
9253	Yellow Dark
9254	Coral
9255	Blush Grey
9256	Wild Berry
9257	Clover
9258	Caribbean

Price category 2 continued on next page

Proprietary Textile Colors — Collection Seating

continued

Price Category 2

Appendix: Proprietary Textile Colors — Collection Seating

Crepe continued

9259	Cerulean
9260	Brownstone
9261	Shale
9262	Graphite
9263	Tomato
9264	Green Apple

Epic

54" wide	
56% recycled polyester	
44% polyester	
Acrylic backing	
3EP01	Alabaster
3EP02	Smoke
3EP03	Falcon
3EP04	Citrus Spring
3EP05	Copper
3EP06	Urban Orange
3EP07	Poppy
3EP08	Wild Plum
3EP09	Sugar Plum
3EP10	Clover
3EP11	Loden
3EP12	Everglade
3EP13	Mist
3EP14	Peacock
3EP15	Cadet
3EP16	Indigo
3EP17	Spring Wood
3EP18	Grey Brindle
3EP19	Seed
3EP20	Carbon Dark

Fish Net

55" wide	
100% recycled polyester	
22Q01	Oyster
22Q02	Stone
22Q03	Citrus
22Q04	Curry
22Q05	Chipotle
22Q06	Cherry
22Q07	Fuschia
22Q08	Claret
22Q09	Purple
22Q10	Clover
22Q11	Pesto
22Q12	Peacock
22Q13	Lagoon
22Q14	Twilight
22Q15	Bluestone
22Q16	Storm
22Q17	Black
22Q18	Cocoa

Marvel

54" wide	
100% pvc-free polyurethane	
antimicrobial, antibacterial finish	
1MV01	Summer White
1MV02	Sand Dollar
1MV03	Espresso
1MV04	Folkstone Grey
1MV05	Graphite
1MV06	Onyx
1MV07	Polar Blue
1MV08	Blush Grey
1MV09	Woodrose
1MV10	Citrus
1MV11	Adobe
1MV12	Red
1MV13	Kiwi Green
1MV14	Pine
1MV15	Teal Green
1MV16	Twilight

Medley

54" wide	
100% polyester	
1HA01	Stone
1HA02	Trail
1HA03	Charcoal
1HA04	Cinder
1HA05	Citrus
1HA06	Papaya
1HA07	Chutney
1HA08	Tundra
1HA09	Feather Grey
1HA10	Chartreuse
1HA11	Loden
1HA12	Peacock
1HA13	Bayou
1HA14	Blue Grotto
1HA15	Blueberry
1HA22	Khaki
1HA23	Pewter
1HA24	Yellow Oxide
1HA25	Vintage Rose
1HA26	Raspberry
1HA27	Acai Berry

Moiré

54" wide	
100% recycled polyester	
3A01	Concrete
3A02	Biscotti
3A03	Rattan
3A04	Chambray
3A05	Fern
3A08	Violet
3A09	Zin
3A10	Curry
3A11	Spice
3A12	Cork

Rhythm

54" wide	
100% polyester	
3001	Kiwi Green
3002	Green Apple
3003	Peacock
3004	Bayou
3005	Berry Blue
3006	Iris
3007	Twilight
3008	Pumpkin
3009	Poppy
3010	Molasses
3011	Mulberry
3012	Khaki
3013	Mink
3014	Black
3015	Charcoal

Rivet

54" wide	
100% recycled polyester	
1RV01	Twig
1RV02	Deep Clay
1RV03	Woodrose
1RV04	Otter
1RV05	Hemlock
1RV06	Olive
1RV07	Lagoon
1RV08	Deep Sea
1RV09	Charcoal
1RV10	Grey Brindle

Price category 2 continued on next page

Proprietary Textile Colors — Collection Seating

continued

Price Category 2

continued

Sequel	
54" wide	
100% vinyl	
100% polyester knit backing	
Resilience® finish	
3SL01	White
3SL02	Pebble
3SL03	Mushroom
3SL04	Stone
3SL05	Chestnut
3SL06	Rattan
3SL07	Black Cherry
3SL08	Tundra
3SL09	Seal
3SL10	Blue Fog
3SL11	Folkstone
3SL12	Shale
3SL13	Slate Grey
3SL14	Charcoal
3SL15	Carbon Dark
3SL28	Navy

Twist	
54" wide	
80% antimony-free polyester	
13% recycled polyester	
7% polyester	
8R05	Wicker
8R10	Poppy
8R14	Tin
8R15	Shale
8R16	Graphite
8R17	Birch
8R18	Sepia
8R22	Blueberry
8R23	Green Apple
8R26	Gunmetal
8R27	Cinder
8R28	Citrus
8R29	Pekoe
8R30	Tangerine
8R31	Red Plum
8R32	Wisteria
8R33	Forest
8R34	Jade Dark
8R35	Waterfall
8R36	Midnight Blue
8R37	Carbon Dark

Well Suited	
55" wide	
79% polyester	
21% recycled polyester	
22T01	Oyster
22T02	Raffia
22T03	Peppermint
22T08	Cool Grey
22T16	Jade
22T17	Peacock
22T18	Blueberry

Price Category 3

Ace	
54" wide	
100% polyurethane	
Polyester knit backing	
Stain resistant finish	
3AC01	Summer White
3AC02	White Ash
3AC03	Rye
3AC04	Metal
3AC05	Clay
3AC06	Chestnut
3AC07	Citrus
3AC08	Camelback
3AC09	Chipotle
3AC10	Claret
3AC11	Slate Purple
3AC12	Artichoke
3AC13	Sepia Dark
3AC14	Aloe
3AC15	Flint
3AC16	Blue Sky
3AC17	Oceanside
3AC18	Midnight
3AC19	Spring Wood
3AC20	Frost
3AC21	Lead
3AC22	Black

Bento	
54" wide	
100% antimony-free polyester	
7001	Frost
7002	Linen
7003	Khaki
7004	Truffle
7005	Grey Black
7006	Pumpkin
7007	Cranberry
7008	Everglade
7009	Cobalt

Cambrai - Geiger Textile	
54" wide	
100% polyester	
Antimicrobial stain resistant finish	
Acrylic backing	
21601	Natural
21602	Khaki
21603	Hemp
21604	Pumice
21605	Lavarock
21606	Carbon
21607	Ink

Meld - Maharam	
54" wide	
68% post-consumer recycled polyester	
32% polyester	
PFOA-Free stain resistant	
ZM201/466387-201	Vast
ZM202/466387-202	Panda *
ZM203/466387-203	Skyline *
ZM204/466387-204	Knight *
ZM205/466387-205	Quill *
ZM206/466387-206	Pipe
ZM207/466387-207	Grate *
ZM208/466387-208	Gloss
ZM209/466387-209	Bulb
ZM210/466387-210	Bride
ZM211/466387-211	Stark
ZM212/466387-212	Seashell
ZM213/466387-213	Antler
ZM214/466387-214	Crater *
ZM215/466387-215	Perennial
ZM216/466387-216	Mulberry
ZM217/466387-217	Fuchsia *
ZM218/466387-218	Amethyst *
ZM219/466387-219	Merlot
ZM220/466387-220	Magma *
ZM221/466387-221	Rooster
ZM222/466387-222	Heat *

* Colors available on 20-day lead time.

Price category 3 continued on next page

Proprietary Textile Colors — Collection Seating

continued

Price Category 3

continued

Meld *continued*

ZM223/466387-223	Clementine
ZM224/466387-224	Fox
ZM225/466387-225	Kiss *
ZM226/466387-226	Bare
ZM227/466387-227	Blonde
ZM228/466387-228	Mimosa
ZM229/466387-229	Comet *
ZM230/466387-230	Honeydew
ZM231/466387-231	Wild *
ZM232/466387-232	Vine
ZM233/466387-233	Seed
ZM234/466387-234	Kale *
ZM235/466387-235	Waterfall *
ZM236/466387-236	Nordic *
ZM237/466387-237	Reef *
ZM238/466387-238	Wave
ZM239/466387-239	Isle
ZM240/466387-240	Creek
ZM241/466387-241	Mariner *
ZM242/466387-242	Globe
ZM243/466387-243	Spa

* Colors available on
20-day lead time.

Mini Plaid - Geiger Textile

56" wide	
100% polyester	
PFOA-Free stain resistant finish	
Acrylic backing	
1MP01	Vintage Ivory
1MP02	Light Gray
1MP03	Ore
1MP04	Coffee Bean
1MP05	Shadow
1MP06	Charcoal
1MP07	Black Onyx
1MP08	Gray Blue
1MP09	Deep Federal
1MP10	Celadon
1MP11	Blaze
1MP12	Lipstick

Pinpoint - Geiger Textile

57" wide	
100% antimony-free polyester	
19810	Cream
19811	Camel
19820	Luggage
19830	Red
19831	Wine
19832	Cordovan
19850	Navy
19870	Trench Dark
19880	Charcoal
19881	Grey

Pins and Needles

58" wide	
76% recycled polyester	
24% polyester	
22R01	Day and Night
22R02	Night and Day

Saille - Geiger Textile

57" wide	
69% cotton	
31% polyester	
PFOA-Free stain resistant finish	
Acrylic backing	
18001	Coal
18002	Shale
18003	Haze
18004	Stone
18005	White *
18006	Beach
18007	Sand
18008	Blush
18009	Brick
18010	Fog
18011	Celadon
18012	Poolside
18013	Summer Sky

* Color not available on Eames®
Soft Pad Group Chairs/Ottomans.

String Plaid

54" wide	
100% recycled polyester	
22V01	Warm White on Khaki
22V02	Mint on Yellow Green
22V03	Mist on Blue Grey
22V04	Sky Blue on Red
22V05	Lime on Magenta
22V06	Bright Green on Green
22V07	Aqua Blue on Cerulean
22V08	Ivory on Black

Tweeded Stripe - Geiger Textile

54" wide	
38% polyester	
37% cotton	
18% acrylic	
7% post-industrial recycled cotton	
PFOA-Free stain resistant finish	
16701	Cotton
16702	Cream
16703	Chamois
16704	Golden Gray
16705	Brown Gray
16706	Celadon
16707	Vessel
16708	Gray Blue
16709	Deep Federal
16710	Onyx
16711	Java
16712	Sunset
16713	Citronella

Price Category 4

Antico - Geiger Textile

54" wide	
100% polyurethane	
Polyester/cotton backing	
Stain resistant finish	
1GM01	Cream
1GM02	Bone
1GM03	Raw Sienna
1GM04	Desert
1GM05	Ash Gray
1GM06	Hunter
1GM07	Earthen
1GM08	Dark Shale

Bateau - Geiger Textile

54" wide	
56% post-industrial recycled cotton	
30% polyester	
14% post-industrial recycled polyester	
PFOA-Free stain resistant finish	
1AK01	Cloud
1AK02	Fawn
1AK03	Breeze
1AK04	Meadow
1AK05	Rafia
1AK06	Dark Sand
1AK07	Steel
1AK08	Milky Way

Proprietary Textile Colors — Collection Seating

continued

Price Category 4

continued

Bingo

54" wide
100% PVC-free polyurethane

7Y01	Oyster
7Y02	Natural
7Y03	Cashew
7Y05	Rattan
7Y06	Root
7Y07	Woodland
7Y10	Allspice
7Y11	Canyon
7Y17	Seed
7Y18	Mushroom
7Y19	Blue Grey
7Y21	Black
7Y22	Mint
7Y23	Seaport
7Y24	Evening Blue
7Y26	Kiwi Green
7Y27	Celadon
7Y29	Pesto

Braid - Geiger Textile

56" wide
100% polyester

1AG01	Pearl
1AG02	Dark Sand
1AG03	City Night
1AG04	Shadow
1AG05	Midnight Blue

Cygnus™

For Eames® Aluminum Group Chairs
69% elastomeric
31% polyester

5401	Black
5402	Zinc
5403	Quartz

Derby - Geiger Textile

57" wide
50% polyester
34% post-industrial recycled polyester
32% post-consumer recycled polyester
PFOA-Free stain resistant finish
Acrylic backing

1AE01	Antique White
1AE02	Blush
1AE03	Ivory
1AE04	Light Gray
1AE05	Ore
1AE06	Coffee Bean
1AE07	Onyx
1AE08	Cadet Blue
1AE09	Marine
1AE10	Steel Blue
1AE11	Teal
1AE12	Persimmon
1AE13	Cinnabar
1AE14	Dark Scarlet

Ecohide Classic - Geiger Textile

54" wide
100% polyurethane
Polyester backing

21401	Ivory
21402	Limestone
21403	Stone
21404	Slate
21405	Black
21415	Navy
21416	Grey
21417	Java
21420	Mink
21421	Caramel
21422	Ecru

Fringe - Geiger Textile

54" wide
74% recycled polyester
20% nylon
6% polyester

1AF01	Buckskin
1AF02	Ash Blonde
1AF03	Silver Bay
1AF04	Perfect Taupe
1AF05	Morning Sky
1AF06	Lapis
1AF07	Indigo
1AF08	Paprika
1AF09	Deep Red
1AF10	Dark Sienna
1AF11	French Press
1AF12	Black Bay

Granno - Geiger Textile

54" wide
100% polyurethane
Polyester/cotton backing
Stain resistant finish

17702	Cream
17703	Warm Sand
17704	Ecru
17705	Cement
17707	Cargo Gray
17708	Smoke
17709	Black
17710	Navy
17711	Claret
17712	Java
17713	Cognac
17790	Platinum
17785	Sea Mist
17780	Abite
17791	Light Silver

Irregular Grid - Geiger Textile

56" wide
85% polyester
14% rayon
1% nylon
PFOA-Free stain resistant
Acrylic backing

1AT01	Fog
1AT02	Stone
1AT03	Trench
1AT04	Gray Blue
1AT05	Flint

Kalista - Geiger Textile

54" wide
71% post-industrial recycled cotton
18% post-industrial recycled polyester
11% polyester
PFOA-Free stain resistant finish

1AL01	Cotton
1AL02	Natural
1AL03	Titanium
1AL04	Pewter
1AL05	Starry Night
1AL06	Red Hot
1AL07	Sun Kissed
1AL08	Dune
1AL09	Beach Glass
1AL10	Bluestone
1AL11	Seaside
1AL12	Night Sky

Price category 4 continued on next page

Proprietary Textile Colors — Collection Seating

continued

Price Category 4

continued

Micro Houndstooth - Geiger Textile	
57" wide	
50% polyester	
33% post-consumer recycled polyester	
17% post-industrial recycled polyester	
PFOA-Free stain resistant finish	
Acrylic backing	
1MH01	Silver Ore
1MH02	Oatmeal
1MH03	Coffee Bean
1MH04	Charcoal
1MH05	Dark Night
1MH06	Onyx
1MH07	Gray Blue
1MH08	Federal
1MH09	Gray Green
1MH10	Blaze
1MH11	Gothic Red

Novello - Geiger Textile	
54" wide	
100% polycarbonate polyurethane	
Stain resistant finish	
Polyester backing	
1GR01	Pure
1GR02	Stone
1GR03	Umber
1GR04	Midnight Blue
1GR05	Grebe
1GR06	Black

Ottoman - Geiger Textile	
54" wide	
100% recycled polyester	
GreenShield	
19710	Cream
19711	Camel
19712	Vicuna
19713	Stone
19719	Aqua
19720	Citron
19721	Luggage
19728	Ruby
19729	Currant
19730	Red

Ottoman continued	
19731	Blaze
19732	Persimmon
19748	Titanium
19749	Pewter
19750	Oxford
19751	Cadet Dark
19752	Blue
19760	Willow
19761	Napa
19767	Sterling
19768	Flint
19769	Slate
19770	Trench
19771	Java
19777	Deep Sea
19778	Navy
19779	Metal
19780	Black

Piccolo - Geiger Textile	
54" wide	
39% wool	
36% nylon	
13% rayon	
12% post-consumer recycled polyester	
PFOA-Free stain resistant	
Acrylic backing	
1AU01	Grey Blue
1AU02	City Night
1AU03	Trench
1AU04	Sangria
1AU05	Cerise
1AU06	Navy
1AU07	Lake
1AU08	Wine
1AU09	Charcoal
1AU10	Midnight Blue

Spools	
54" wide	
51% recycled polyester	
49% polyester	
Crypton® Green	
8Y03	Trail
8Y05	Copper
8Y08	Bluegrass
8Y09	Lagoon
8Y12	Marsh
8Y13	Bud

Strata	
54" wide	
50% solution dyed recycled nylon	
50% solution dyed nylon	
22P04	Pesto
22P05	Peacock
22P06	Blue Jay
22P07	Blueberry
22P09	Mango
22P10	Paprika
22P11	Mulberry
22P12	Wheat
22P13	Brownstone
22P14	Bayou

Sync	
55" wide	
100% polyester	
3SY01	Pine Cone
3SY02	Citron
3SY03	Canyon
3SY04	Truffle
3SY05	Wild Berry
3SY06	Everglade
3SY07	Glacier
3SY08	Nightfall
3SY09	Dark Mineral
3SY10	Slate Grey
3SY11	Dark Carbon
3SY12	Black

Price Category 5

Bouclé - Geiger Textile	
54" wide	
100% recycled polyester	
GreenShield	
1GA10	Creme
1GA11	Dune
1GA12	Camel
1GA20	Luggage
1GA21	Copper
1GA30	Wine
1GA31	Red Dark
1GA50	Navy
1GA60	Willow
1GA61	Fir
1GA70	Umber
1GA71	Java
1GA80	Stone
1GA81	Graphite
1GA82	Black

Button-Up - Geiger Textile	
54" wide	
58% post-consumer recycled cotton	
18% rayon	
15% polyester	
9% acrylic	
PFOA-Free stain resistant	
Acrylic backing	
1AQ01	Monochrome
1AQ02	Pale Blue
1AQ03	Brick
1AQ04	Prairie
1AQ05	Tourmaline
1AQ06	Shadow
1AQ07	Cool Navy
1AQ08	Poolside
1AQ09	Lake

Price category 5 continued on next page

Proprietary Textile Colors — Collection Seating

continued

Price Category 5

continued

Claremont - Geiger Textile	
56" wide	
67% cotton	
31% polyester	
2% nylon	
PFOA-Free stain resistant finish	
Acrylic backing	
1GV01	Cotton
1GV02	Fog
1GV03	Haze
1GV04	Gray Quartz
1GV05	Coffee
1GV06	Jade
1GV07	Gray Violet
1GV08	Goldenrod
1GV09	Wine
1GV10	Adriatic
1GV11	Charcoal
1GV12	Dark Denim

Dapper - Geiger Textile	
54" wide	
55% recycled polyester	
28% nylon	
17% rayon	
1AD01	Brick
1AD02	Pale Slate Blue
1AD03	Vessel
1AD04	Coffee
1AD05	Mountainside
1AD06	Cerise
1AD07	Dark Night

Essential Twill - Geiger Textile	
53" wide	
70% post-consumer recycled polyester	
27% wool	
3% nylon	
PFOA-Free stain resistant finish	
Acrylic backing	
16801	Cream
16802	Fog
16803	Orange
16804	Natier Blue
16805	Blue
16806	Forest
16807	Smoke
16808	Shale

Harlow - Geiger Textile	
54" wide	
37% viscose	
26% cotton	
17% acrylic	
13% linen	
7% polyester	
PFOA-Free stain resistant finish	
1GE01	Andro
1GE02	Linota
1GE03	Norland
1GE04	Valour
1GE05	Arras
1GE06	Raja

Herringbone - Geiger Textile	
54" wide	
50% nylon	
27% cotton	
23% polyester	
GreenShield	
19310	Copper
19330	Vermillion
19350	Oxford
19351	Cadet
19352	Navy
19360	Willow
19370	Trench Dark
19371	Umber
19380	Stone
19381	Flannel

Hopsak	
56" wide	
100% recycled polyester	
14A20	Black
14A22	Raw Umber Dark
14A26	Grey Blue Dark
14A30	Sepia Dark
14A38	Emerald Dark
14A39	Yellow Dark
14A40	Orange
14A41	Sienna
14A42	Olive Green Dark
14A43	Crimson
14A44	Crimson Dark Dark
14A45	Violet Dark
14A46	Pink Dark Dark
14A47	Ultramarine Dark
14A48	Cobalt Blue
14A49	Terra Cotta
14A50	Ochre Dark

Ingenuie - Geiger Textile	
54" wide	
28% wool	
26% viscose	
25% acrylic	
16% polyester	
5% cotton	
PFOA-Free stain resistant finish	
1GH01	Sand
1GH02	Fog
1GH03	Flannel
1GH04	Trench
1GH05	Vermillion
1GH06	Adriatic
1GH07	Umber
1GH08	Charcoal

Iota - Geiger Textile	
55" wide	
72% post-consumer recycled polyester	
28% cotton	
GreenShield	
Acrylic backing	
1AS01	Pearl Gray
1AS02	Light Chestnut Brown
1AS03	Light Blue
1AS04	Light Gray
1AS05	Ferric Gray
1AS06	Deep Cerulean Blue
1AS07	Carrot
1AS08	Natural Native Umber
1AS09	Chestnut Brown
1AS10	Claret
1AS11	Ruby Red
1AS12	Forest
1AS13	Navy
1AS14	Plum
1AS15	Burnt Umber

Iron Cloth - Geiger Textile	
54" wide	
61% nylon	
22% rayon	
17% cotton	
19510	Cream
19511	Stone
19512	Camel
19520	Citron
19530	Red
19531	Cordovan
19550	Sky
19551	Navy
19552	Cadet
19560	Leaf
19570	Trench
19571	Umber
19580	Black

Price category 5 continued on next page

Proprietary Textile Colors — Collection Seating

continued

Price Category 5

continued

Appendix: Proprietary Textile Colors — Collection Seating

Lucio - Geiger Textile	
54" wide	
55% polycarbonate polyurethane	
Rayon/polyester backing	
Stain resistant finish	
1GL01	Opal
1GL02	Nickel
1GL03	Zinc
1GL04	Bronze
1GL05	Onyx
1GL06	Aquatic

Noble	
54" wide	
100% wool	
22N07	Cadet
22N12	Blue Grey Mix
22H15	Heathered Black
22H16	Heathered Grey
22H17	Heathered Twilight
22H18	Heathered Rye Grass
22N23	Lagoon Mix

Pixel Stripe - Geiger Textile	
56" wide	
65% cotton	
35% recycled polyester	
1AP01	Pale / Dark Ash
1AP02	Ash / Light Grey
1AP03	Night / Cream
1AP04	Cardinal / Cream
1AP05	Denim / Neutral
1AP06	Federal / Taupe
1AP07	Olive / Neutral

Straightaway - Geiger Textile	
54" wide	
48% polyester	
39% cotton	
13% rayon	
PFOA-Free stain resistant	
Acrylic backing	
1AR01	White
1AR02	Cream
1AR03	Lemon
1AR04	Sunset
1AR05	Brown Gray
1AR06	Java
1AR07	Black Green
1AR08	Jade
1AR09	Cobalt

Striae - Geiger Textile	
53" wide	
62% polyester	
38% nylon	
19910	Neutral
19911	Camel Java
19992	Blue
19990	Charcoal Saddle
19991	Navy
19993	Java Copper
19994	Bright

Summit	
54" wide	
100% silicone	
Polyester knit backing	
3SU01	Bright White
3SU02	Oyster
3SU03	Metal
3SU04	Khaki
3SU05	Taupe
3SU06	Java
3SU07	Black
3SU08	Cherry
3SU09	Beachglass
3SU10	Midnight

Threads - Geiger Textile	
54" wide	
73% post-industrial recycled cotton	
27% polyester	
PFOA-Free stain resistant finish	
Acrylic backing	
21801	Cotton
21802	Stonewashed
21803	Silver
21804	Chamois
21805	Cargo Gray
21806	Black Brown
21807	Dark Denim
21808	Sunset

Vaquero - Geiger Textile	
54" wide	
100% polyurethane	
Rayon/polyester backing	
1GN01	Leche
1GN02	Pearl Gray
1GN03	Parchment
1GN04	Umber
1GN05	Chestnut Brown
1GN06	Sapphire
1GN07	Grebe
1GN08	Black

Vavare - Geiger Textile	
54" wide	
50% post-consumer recycled cotton	
28% cotton	
13% polyester	
9% acrylic	
PFOA-Free stain resistant finish	
Acrylic backing	
17401	Pearl Gray
17402	Sandstone
17403	Monochrome
17404	Shadow
17405	Blue Earth
17406	Lakeside
17407	Midsummer
17408	Bittersweet

Vionette - Geiger Textile	
55" wide	
100% polyester	
1GJ01	White Sand Mix
1GJ02	Desert Mix
1GJ03	Light Gray Mix
1GJ04	Pewter Mix
1GJ05	Cobalt Mix
1GJ06	Prussian Blue Mix
1GJ07	Chocolate Mix
1GJ08	Champagne
1GJ09	Morning Sky
1GJ10	Aquatic
1GJ11	Sapphire
1GJ12	Midnight Blue
1GJ13	Shadow
1GJ14	Java
1GJ15	Carbon
1GJ16	Black
1GJ17	Claret
1GJ18	Poppy

Proprietary Textile Colors — Collection Seating

continued

Price Category 6

Classic Velvet - Geiger Textile	
55" wide	
100% polyester	
Polyester/cotton backing	
16501	Opal
16502	Ice Blue
16503	Platinum
16504	Smoky Taupe
16505	Blaze
16506	Majestic Red
16507	Peridot
16508	Obsidian
16509	Truffle
16510	Sapphire

Gridwork - Geiger Textile	
54" wide	
100% post-consumer recycled polyester	
PFOA-Free stain resistant	
Acrylic backing	
1AM01	Mustard
1AM02	Persimmon
1AM03	Willow
1AM04	Red
1AM05	Camel
1AM06	Natier Blue

Outdoor Weave	
For Eames® Aluminum Group	
Outdoor Chairs	
50% elastomeric	
50% polypropylene	
7202	Jute
7203	Lead
7204	Java
7205	Graphite

Overture - Geiger Textile	
54" wide	
36% cotton, 26% acrylic	
16% rayon, 10% nylon	
7% wool, 5% cotton linen	
PFOA-Free stain resistant finish	
1GF01	Fawn
1GF02	Fog
1GF03	Earthen
1GF04	Dusk

Pick-Stitch Plaid - Geiger Textile	
54" wide	
38% post-industrial recycled nylon	
32% rayon	
30% cotton	
PFOA-Free stain resistant finish	
Acrylic backing	
17001	Cotton
17002	Camel
17003	Red
17004	Blue
17005	Forest
17006	Bark
17007	Gray

Sommar - Geiger Textile	
55" wide	
62% cotton	
24% polyester	
14% acrylic	
PFOA-Free stain resistant finish	
1AJ01	Cloud
1AJ02	Natural
1AJ03	Light Silver
1AJ04	Oxford
1AJ05	Sweet Tea
1AJ06	Amber
1AJ07	Mocha Caramel
1AJ08	Dark Roast

Tattersall Reverse - Geiger Textile	
54" wide	
35% cotton	
29% polyester	
27% nylon	
9% recycled polyester	
GreenShield	
20010	Saddle
20020	Willow
20030	Red
20050	Navy
20070	Trench
20071	Latte Umber
20080	Flannel Umber

Price Category 7

Customer's Own Leather	
See Order Information in Appendices. Assigned lead-time textile. A	

Amenia - Geiger Textile	
53" wide	
67% wool	
23% nylon	
10% post-consumer recycled polyester	
PFOA-Free stain resistant finish	
Acrylic backing	
1GX01	Fog
1GX02	Dark Sand
1GX03	Steel
1GX04	Pewter
1GX05	Persimmon
1GX06	Sunflower
1GX07	Bittersweet
1GX08	Magenta
1GX09	Willow
1GX10	Forest
1GX11	Gray Blue

Bellano - Geiger Textile	
55" wide	
75% wool	
10% linen	
8% nylon	
7% alpaca	
1AX01	Pearl
1AX02	Fog
1AX03	Fawn
1AX04	Pumice
1AX05	Pewter
1AX06	Atlantic
1AX07	Black Green
1AX08	Adriatic
1AX09	Coffee
1AX10	Charcoal
1AX11	Umber
1AX12	Magenta
1AX13	Bittersweet
1AX14	Sunflower

Capri - Geiger Textile	
55" wide	
36% cotton	
32% acrylic	
24% rayon	
8% polyester	
PFOA-Free stain resistant finish	
Acrylic backing	
17201	Snow
17202	Stone
17203	Trench
17204	Graphite
17205	Anthracite
17206	Light Silver
17207	Russet
17208	Chestnut Brown
17209	Sand
17210	Sterling
17211	Cobalt
17212	Ink

Corduroy Plaid - Geiger Textile	
55" wide	
100% polyester pile	
100% acrylic	
18910	Cream
18970	Umber
18980	Charcoal

Dorset - Geiger Textile	
52" wide	
73% wool	
18% nylon	
9% post-consumer recycled polyester	
PFOA-Free stain resistant finish	
Acrylic backing	
1GW01	Fog
1GW02	Dark Sand
1GW03	Steel
1GW04	Pewter
1GW05	Persimmon
1GW06	Sunflower
1GW07	Bittersweet
1GW08	Magenta
1GW09	Willow
1GW10	Forest
1GW11	Gray Blue

Price category 7 continued on next page

Proprietary Textile Colors — Collection Seating

continued

Appendix: Proprietary Textile Colors — Collection Seating

Price Category 7

continued

Double Beam Redux - Geiger Textile

52" wide
52% rayon
45% post-consumer recycled polyester
3% nylon
PFOA-Free stain resistant finish
Acrylic backing

22001	Oyster
22002	Mortar
22003	Pale Goldenrod
22004	Pewter
22005	Light Steel Blue
22006	Dark Denim
22007	Cocoa

Epingle - Geiger Textile

56" wide
57% acrylic, 43% polyester pile
60% polyester, 40% acrylic

1GC10	Ivory
1GC11	Dune
1GC12	Camel
1GC30	Red
1GC50	Navy
1GC70	Trench
1GC71	Java
1GC80	Charcoal
1GC81	Fog

Graphton - Geiger Textile

52" wide
61% wool
21% cotton
18% nylon
PFOA-Free stain resistant finish

1GU01	Camel
1GU02	Meadow
1GU03	Loden
1GU04	Shale
1GU05	Sangria
1GU06	Obsidian
1GU07	Atlantic
1GU08	Bordeaux

Milaner - Geiger Textile

55" wide
56% wool, 10% acrylic
10% alpaca, 10% cotton
8% nylon, 6% rayon

17101	Linen
17102	Flax
17103	Bark
17104	Deep Navy
17105	Charcoal
17106	Medium Grey
17107	Ash
17108	Crimson

Panno di Dolce - Geiger Textile

55" wide
65% wool
20% nylon
15% alpaca

1AV01	Fog
1AV02	Dune
1AV03	Trench
1AV04	Flannel
1AV05	Charcoal
1AV06	Umber
1AV07	Deep Navy
1AV08	Graphite

Pantile - Geiger Textile

54" wide
54% cotton
40% polyester
6% acrylic
PFOA-Free stain resistant
Acrylic backing

1AN01	Stone
1AN02	Trench
1AN03	Red
1AN04	Aqua Blue
1AN05	Sapphire
1AN06	Black

Resca - Geiger Textile

56" wide
75% wool
10% linen
8% nylon
7% alpaca

1AW01	Fog
1AW02	Dune
1AW03	Trench
1AW04	Flannel
1AW05	Umber
1AW06	Bordeaux

Sateen Weave - Geiger Textile

54" wide
92% wool, 8% nylon

16301	Bright Red
16302	Cognac Brown
16303	Chestnut Brown
16304	Pale Native Umber
16305	Light Native Umber
16306	Sahara Sand Deep
16307	Light Blue
16308	Deep Cerulean Blue
16309	Light Veronese Green
16310	Black Green
16311	Deep Native Umber
16312	Chestnut Brown
16313	Natural Native Umber
16314	Navy

True Herringbone - Geiger Textile

54" wide
49% rayon
48% post-consumer recycled polyester
3% nylon
PFOA-Free stain resistant finish
Acrylic backing

22401	Olivine
22402	Camel
22403	Earthen
22404	Caribbean Sea
22405	Vermillion
22406	Denim
22407	Bordeaux
22408	Prussian Blue
22409	Dark Sienna

Twill Plaid - Geiger Textile

53" wide
70% post-consumer recycled polyester
27% wool
3% nylon
PFOA-Free stain resistant finish
Acrylic backing

16901	Cream
16902	Fog
16903	Orange
16904	Natier Blue
16905	Blue
16906	Forest
16907	Smoke
16908	Shale

Velvet Plaid - Geiger Textile

55" wide
94% polyester, 6% acrylic pile
100% acrylic

20110	Cream
20170	Umber
20180	Charcoal

Vesture - Geiger Textile

55" wide
40% wool, 25% polyester
20% silk, 15% nylon
PFOA-Free stain resistant finish

21701	Ashen
21702	Dark Blush
21703	Dusk
21704	Medium Gray
21705	Twilight

Price category 7 continued on next page

Proprietary Textile Colors — Collection Seating

continued

Price Category 7

continued

Wool Epinglé - Geiger Textile

54" wide	
100% wool	
16201	Swiss Red
16202	Orange
16203	Light Chestnut Brown
16204	Light Burnt Umber
16205	Pale Native Umber
16206	Pearl Grey
16207	Grey
16208	Natier Blue
16209	Deep Cerulean Blue
16210	Anthracite
16211	Natural Native Umber
16212	Chestnut Brown

Wool Satin - Geiger Textile

56" wide	
40% polyester, 33% wool	
27% cotton	
20270	Trench
20271	Umber
20280	Flannel
20281	Charcoal

Wool Tweed - Geiger Textile

54" wide	
80% wool, 20% nylon	
16601	Trench
16602	Pewter
16603	Ruby
16604	Blue Gray
16605	Navy
16606	Umber
16607	Charcoal

Price Category 8

Allusion - Geiger Textile

56" wide	
60% alpaca	
27% wool	
13% nylon	
Cotton backing	
1GS01	Moonlight
1GS02	Pearl Gray
1GS03	Platinum
1GS04	Smokey Taupe
1GS05	Camel
1GS06	Swiss Red
1GS07	Chestnut Brown
1GS08	Deep Cerulean
1GS09	Navy
1GS10	Black Green
1GS11	Sterling
1GS12	Anthracite

Basketweave - Geiger Textile

53" wide	
60% cotton	
40% wool	
18710	Dune
18711	Saddle
18712	Camel Flannel
18770	Umber
18780	Stone
18781	Charcoal

Foot Hills - Geiger Textile

56" wide	
54% rayon	
43% wool	
3% nylon	
PFOA-Free stain resistant finish	
Acrylic backing	
1GT01	Steel Stripe
1GT02	Loden Stripe
1GT03	Ingot Stripe
1GT04	Cobalt Stripe
1GT05	Blackberry Stripe
1GT06	Steel
1GT07	Loden
1GT08	Ingot
1GT09	Cobalt
1GT10	Blackberry

Semplice Leather - Geiger Textile

approx. 55 sq. ft. per hide	
100% leather	
1SE01	Alabaster
1SE02	Stone
1SE03	Parchment
1SE04	Titanium
1SE05	Dark Brown
1SE06	Prussian Blue
1SE07	Charcoal
1SE08	Black

Staple - Geiger Textile

54" wide	
100% wool	
16101	Light Native Umber
16102	Medium Native Umber
16103	Pearl Grey
16104	Light Grey
16105	Ferric Grey
16106	Black Green
16107	Prussian Blue
16108	Navy
16109	Burnt Umber
16110	Chestnut Brown
16111	Ruby Red

Striscia - Geiger Textile

53" wide	
73% wool	
24% rayon	
3% nylon	
PFOA-Free stain resistant	
Acrylic backing	
1AY01	Mojave
1AY02	Cheyenne
1AY03	Santa Fe
1AY04	Zion
1AY05	Portland
1AY06	Everglade
1AY07	Sierra
1AY08	Huron

Price Category 9

Alpaca Mohair - Geiger Textile

54" wide	
63% alpaca	
21% cotton, 16% polyester	
18510	Dune
18511	Trench
18512	Vicuna
18570	Sepia
18571	Umber
18580	Fog
18581	Flannel
18582	Charcoal

Corded Stripe - Geiger Textile

54" wide	
100% cotton	
22301	Federal Taupe
22302	Cool Navy
22303	Swiss Red
22304	Deep Sea
22305	Blue Brown
22306	Red Madder

Leather

approx. 50 sq. ft. per hide	
100% leather	
2101	Ivory
2109	Black
2110	Smoke
2111	Graphite
2112	Khaki
2113	Rattan
2114	Truffle
2115	Alpine
2116	Haze
2117	Sable Grey
2118	Dark Mineral
2119	Dark Carbon
2120	Cranberry
2121	Deep Sea

Proprietary Textile Colors — Collection Seating

continued

Price Category 10

Bristol Leather - Geiger Textile	
approx. 55 sq. ft. per hide	
100% leather	
5-507	Black
5-511	Putty
5-512	Grebe
5-514	Iona
5-519	Hunter
5-520	White
5-521	Ivory
5-522	Parchment
5-524	Espresso
5-534	Pearl
5-537	Caribbean
5-546	Pumice
5-547	Smoke
5-548	Charcoal
5-549	Dark Shale
5-556	Downtown Grey
5-557	City Night
5-558	Neutral
5-559	Ash Grey
5-563	Champagne
5-564	Chestnut Brown
5-565	Dark Sienna
5-566	Earthen
5-567	Desert
5-568	British Green
5-569	Wrought Iron
5-579	Paris Blue
5-583	Atlantic
5-589	Umber
5-591	Bone
5-592	Camel
5-594	Taupe
5-597	Pure *
5-598	Cream
5-599	Poppy
5-600	Midnight Blue
5-601	Deep Aubergine
5-602	Merlot
5-603	Sangria
5-604	Swiss Red
5-605	Nordic Yellow
5-606	Sky Grey

* Color not available on Saiba Chair.

Price Category 11

Moleskin Emboss - Geiger Textile	
53" wide	
100% nylon	
19610	Ivory
19611	Cream
19612	Latte
19613	Camel
19614	Saddle
19630	Red
19650	Oxford
19651	Navy
19670	Trench
19671	Java
19680	Flannel
19681	Charcoal

MCL Leather	
approx. 55 sq. ft. per hide	
100% leather	
1R01	Pearl
1R02	Ivory
1R05	Red
1R07	Espresso
1R08	Stone
1R10	Black
1R11	Clay
1R12	Grey
1R13	Gunmetal
1R14	Charcoal
1R15	Cobblestone
1R16	Mulberry

MCL Leather/Hallingdal	
For Eames Soft Pad Chairs	
MCL Leather - 100% leather	
Hallingdal - 70% wool, 30% rayon	
50A01	1R07 MCL Espresso with Hallingdal 270
50A02	1R08 MCL Stone with Hallingdal 103
50A03	1R10 MCL Black with Hallingdal 180
50A04	1R11 MCL Clay with Hallingdal 227
50A05	1R12 MCL Grey with Hallingdal 110
50A06	1R13 MCL Gunmetal with Hallingdal 130
50A07	1R14 MCL Charcoal with Hallingdal 153

Tenera Leather - Geiger Textile	
approx. 55 sq. ft. per hide	
100% leather	
17501	Cement
17502	Marzipan
17503	Sunglow
17504	Raw Sienna
17505	Maple
17506	Poppy
17507	Salsa
17508	Cranberry
17509	Burnt Sienna
17510	Dark Chocolate
17511	Black
17512	Carbon
17513	Sapphire

Maharam® Application Chart — Collection Seating, HermanMiller

• Available

[A] Maharam textiles are on assigned lead times.

[N] Non-woven textile.

	Bevel Sofa Group	Bolster Sofa Group	Chadwick Modular Seating	ColourForm Sofa Group	Eames Aluminum Group Chairs/Ottomans	Eames Executive Chairs	Eames Lounge Chairs/Ottomans	Eames Molded Fiberglass/Plastic/Wood Chairs Upholstered Seat Pad	Eames Molded Fiberglass/Plastic Chairs Upholstered	Eames Molded Plywood Chair Upholstered	Eames Sofa Compact	Eames Sofa, 2 and 3 Seat	Eames Soft Pad Chairs/Ottomans	Eames Task Chair	Eames Wire Seating	Girard Color Wheel Ottoman	Goetz™ Sofa	Lispenard Sofa Group	Module Lounge Seating	Nelson™ Daybed Cushion/Bolsters	Nelson Pedestal Stool	Nelson Platform Bench Cushion	Striad Lounge Chair/Ottoman	Wireframe™ Sofa Group
Price Category 1-2	No fabrics available at this time.																							
Price Category 3																								
ZM2__ Meld - Maharam *	•	•									•						•				•	•	•	•
Price Category 4-9	No fabrics available at this time.																							
Price Category 10																								
Z22__ Superweave	•	•									•	•					•	•	•	•		•	•	
Price Category 11-13	No fabrics available at this time.																							
Price Category 14																								
Z13__ Lanalux	•	•									•	•					•	•	•	•		•	•	
Price Category A	No fabrics available at this time.																							
Price Category B																								
VM__ Medium												•		•				•						
TI__ Messenger *							•	•		1		•	•	•	•		•						•	
Price Category C																								
ZLR__ Lariat [N]								•																
Z27__ Manner			•		1	1		•		1	1		•	•	•		•					•	•	•
88Z__ Merit								•						•	•							•		
Z3__ Metric												•	•					•				•		•
ZML__ Milestone						1	1				1	1	•	•			•					•	•	•
8EY__ Murmur																							•	•
Price Category D																								
ZAT__ Article [N]	•	•						•		•	•	•	•				•		•			•	•	
ZMD__ Mode				•	•	•				•	•	•	•				•	•				•	•	
Price Category E																								
896__ Dwell																								•
ZFS__ Focus							1				1	1	•	•			•					•	•	
V9G__ Ledger [N]							•	•			•	•	•	•			•					•	•	
ZMB__ Micro								•			•	•	•									•	•	
Z32__ Skein											•	•	•				•					•	•	
Price Category F																								
ZAS__ Abacus Standard											1	1	•				•					•	•	
ZAY__ Alloy [N]						1	1				1	1	•				•					•	•	
ZAL__ Alter													•	•			•					•	•	
82T__ Apt [N]							•	•																
ZBT__ Bitmap [N]							1	1			1	1	•				•					•	•	
871__ Brindle																							•	•
V9M__ Chime [N]												•	•				•					•	•	

continued on next page

* Available in select colors on 20-day lead-time. Refer to “Maharam Textile Colors-Collection Seating” for 20-day colors.

Maharam® Application Chart — Collection Seating, HermanMiller

continued

Appendix: Maharam Application Chart — Collection Seating, HermanMiller

	Bevel Sofa Group	Bolster Sofa Group	Chadwick Modular Seating	ColourForm Sofa Group	Eames Aluminum Group Chairs/Ottomans	Eames Executive Chairs	Eames Lounge Chairs/Ottomans	Eames Molded Fiberglass/Plastic/Wood Chairs Upholstered Seat Pad	Eames Molded Fiberglass/Plastic Chairs Upholstered	Eames Molded Plywood Chair Upholstered	Eames Sofa Compact	Eames Sofa, 2 and 3 Seat	Eames Soft Pad Chairs/Ottomans	Eames Task Chair	Eames Wire Seating	Girard Color Wheel Ottoman	Goetz™ Sofa	Lispenard Sofa Group	Module Lounge Seating	Nelson™ Daybed Cushion/Bolsters	Nelson Pedestal Stool	Nelson Platform Bench Cushion	Striad Lounge Chair/Ottoman	Wireframe™ Sofa Group	
Price Category F <i>continued</i>																									
ZCJ__ Coincide																									
87Z__ Conduit																									
VS__ Crush																									
ZEE__ Exchange																									
74M__ Instill [N]																									
ZPC__ Pitch [N]																									
Z29__ Plait																									
ZRV__ Rove																									
ZRA__ Runner Standard																									
V9B__ Scuba [N]																									
ZSG__ Steady																									
Z33__ Strum [N]																									
TP__ Trait																									
Price Category G																									
ZAD__ Across																									
ZAK__ Akimbo																									
ZB1__ Basel																									
ZC5__ Canvas																									
V9C__ Chance																									
ZCU__ Circuit																									
ZCF__ Coincide High Performance																									
ZCQ__ Colline																									
ZC2__ Compound [N]																									
ZCZ__ Crew																									
T1__ Dart																									
VA__ Decode																									
ZDP__ Disperse																									
TG__ Divina Melange																									
ZDE__ Drape [N]																									
ZFE__ Floret																									
ZFC__ Fluent Crypton																									
ZKN__ Kindred																									
ZMM__ Mimic [N]																									
ZPR__ Pare																									
ZPV__ Paver																									
V26__ Remix																									
ZRF__ Runner																									
Z31__ Sequence																									
V9E__ Steady Crypton																									

continued on next page

Maharam® Application Chart — Collection Seating, HermanMiller

continued

Appendix: Maharam Application Chart — Collection Seating, HermanMiller

	Bevel Sofa Group	Bolster Sofa Group	Chadwick Modular Seating	ColourForm Sofa Group	Eames Aluminum Group Chairs/Ottomans	Eames Executive Chairs	Eames Lounge Chairs/Ottomans	Eames Molded Fiberglass/Plastic/Wood Chairs Upholstered Seat Pad	Eames Molded Fiberglass/Plastic Chairs Upholstered	Eames Molded Plywood Chair Upholstered	Eames Sofa Compact	Eames Sofa, 2 and 3 Seat	Eames Soft Pad Chairs/Ottomans	Eames Task Chair	Eames Wire Seating	Girard Color Wheel Ottoman	Goetz™ Sofa	Lispenard Sofa Group	Module Lounge Seating	Nelson™ Daybed Cushion/Bolsters	Nelson Pedestal Stool	Nelson Platform Bench Cushion	Striad Lounge Chair/Ottoman	Wireframe™ Sofa Group	
Price Category I																									
ZCW__Colorwheel																									
7CW__Cursive																									
ZGN__Garden																									
ZSY__Study																									
ZT5__Tracery																									
ZVS__Vases																									
ZVY__Vineyard																									
ZVG__Voyage																									
Price Category J																									
ZCL__Coach Cloth																									
ZDD__Design 9297																									
ZFK__Fluted Silk																									
ZMT__Melange Tweed																									
V19__Mikado																									
ZSW__Soft Tweed																									
ZTG__Tangram																									
ZTA__Telary																									
ZTB__Transport																									
ZWB__Waterborn [N]																									
ZWR__Wool Rib																									
Price Category K																									
ZC6__Carapace																									
V12__Checker																									
V13__Checker Split																									
ZDB__Dingbats																									
V14__Double Triangles																									
V15__Facets																									
ZQP__Optik																									
ZQR__Orakelblume																									
ZPS__Painted Stripe																									
V20__Pavement																									
ZTE__Trees																									
ZUN__Unisol																									

continued on next page

Maharam® Application Chart — Collection Seating, HermanMiller

continued

	Bevel Sofa Group	Bolster Sofa Group	Chadwick Modular Seating	ColourForm Sofa Group	Eames Aluminum Group Chairs/Ottomans	Eames Executive Chairs	Eames Lounge Chairs/Ottomans	Eames Molded Fiberglass/Plastic/Wood Chairs Upholstered Seat Pad	Eames Molded Fiberglass/Plastic Chairs Upholstered	Eames Molded Plywood Chair Upholstered	Eames Sofa Compact	Eames Sofa, 2 and 3 Seat	Eames Soft Pad Chairs/Ottomans	Eames Task Chair	Eames Wire Seating	Girard Color Wheel Ottoman	Goetz™ Sofa	Lispenard Sofa Group	Module Lounge Seating	Nelson™ Daybed Cushion/Bolsters	Nelson Pedestal Stool	Nelson Platform Bench Cushion	Striad Lounge Chair/Ottoman	Wireframe™ Sofa Group
Price Category L																								
ZAH__Alpaca Herringbone					1				1	1	•	•					•					•		•
ZBN__Blumen									•	•	•	•					•					•		•
ZEP__Exaggerated Plaid									•	•		•					•							•
ZGM__Geometri										•	•						•					•		•
V16__Jacobs Coat									•	•					1	•					•	•		•
ZLT__Letters									•	•	•						•							•
V17__Millerstripe									•	•							•				•			•
ZMS__Mohair Supreme						1															•			
ZMW__Monk's Wool																								•
V11__Palio											•						•					•		
ZPW__Pebble Wool									•	•							•					•		•
ZPM__Pebble Wool Multi									•	•	•						•					•		•
V21__Quatrefoil										•							•					•		•
ZRS__Repeat Classic Stripe										•	•						•					•		•
ZRR__Repeat Dot Ring									•	•	•						•					•		•
ZSP__Stripes									•	•	•						•					•		•
ZTS__The Story of My Life					•					•	•	•					•					•		•
V22__Toostripe									•	•							•				•			•
Price Category M																								
V18__Names											•						•					•		•
ZQN__Ottoman Stripe									•	•	•						•					•		•
T11__Pressed Plaid									•	•							•					•		
T12__Wool Striae									•	•							•					•		
Price Category N																								
ZAE__Alpaca Epinglé					•				•	•	•	•					•					•		•
ZAV__Alpaca Velvet																								•
ZBP__Bespoke Stripe										•	•						•					•		•
ZKP__Herringbone Stripe									•	•	•						•					•		•
ZPT__Point									•													•		•
ZWV__Wool Velvet																	•				•			•
Price Category O																								
ZBS__Bavaria Stripe										•	•						•							•
Price Category P																								
ZBR__Big Stripe																								•
ZBJ__Brushed Merino																								•
ZES__Epinglé Stripe																								•
ZLY__Layers Garden									•	•	•						•							•
ZLP__Layers Park									•	•	•						•					•		•
ZLV__Layers Vineyard Large									•	•	•						•							•
ZLS__Layers Vineyard Small					•				•	•	•	•					•					•		•

continued on next page

Maharam® Application Chart — Collection Seating, HermanMiller

continued

Appendix: Maharam Application Chart — Collection Seating, HermanMiller

	Bevel Sofa Group	Bolster Sofa Group	Chadwick Modular Seating	ColourForm Sofa Group	Eames Aluminum Group Chairs/Ottomans	Eames Executive Chairs	Eames Lounge Chairs/Ottomans	Eames Molded Fiberglass/Plastic/Wood Chairs Upholstered Seat Pad	Eames Molded Fiberglass/Plastic Chairs Upholstered	Eames Molded Plywood Chair Upholstered	Eames Sofa Compact	Eames Sofa, 2 and 3 Seat	Eames Soft Pad Chairs/Ottomans	Eames Task Chair	Eames Wire Seating	Girard Color Wheel Ottoman	Goetz™ Sofa	Lispenard Sofa Group	Module Lounge Seating	Nelson™ Daybed Cushion/Bolsters	Nelson Pedestal Stool	Nelson Platform Bench Cushion	Striad Lounge Chair/Ottoman	Wireframe™ Sofa Group	
Price Category Q																									
ZAB__ A Band Apart																									
ZAG__ Agency																									
ZBA__ Brushed Camel						•																			
ZDS__ Deconstructed Rose																									
ZMV__ Massive Paisley																									
ZTF__ The Firm																									
Price Category R																									
ZBB__ Borders																									
ZCA__ Compartment																									
Price Category S																									
ZBV__ Bavaria																									
Price Category T																									
ZKR__ Hours																									
Price Category U																									
ZLD__ Layers Garden Double																									
ZLB__ Layers Park Double																									
Price Category V-W																									
No fabrics available at this time.																									
Price Category X																									
ZED__ Eden																									
ZFG__ Foliage																									
Price Category Y																									
ZND__ Industry																									
Price Category Z																									
No fabrics available at this time.																									
Leather Price Category 10M																									
ZPA__ Pace Leather [N]																									

1 Available in select colors. Refer to “Maharam Textile Colors - Collection Seating” for color offering.

4 Not available on White Ash Edition or Ebony Edition of Eames Lounge Chair/Ottoman.

Maharam® Application Chart — Collection Seating, Geiger

- Available

[A] Maharam textiles are on assigned lead times.

[N] Non-woven textile.

	Brabo™ Lounge Seating	Bumper™ Seating	Crosshatch™ Lounge Seating	Crosshatch Side Chair	Envelope™ Chair	Full Twist™ Chair	Landmark™ Chair	Leeway™ Seating	Nessel™ Chair	Reframe™ Lounge Seating High-Back Chair	Reframe Lounge Seating Mid-Back Chair	Reframe Lounge Seating Wing-Back Chair	Rolled Arm™ Sofa Group	Saiba™ Seating	Scissor™ Chair	Sled™ Chair	Tuxedo Component Lounge™/Tuxedo Classic Seating Quilted	Tuxedo Component Lounge/Tuxedo Classic Seating Non-quilted	
Price Category 1-2	No fabrics available at this time.																		
Price Category 3	ZM2__ Meld - Maharam *																		
Price Category 4-9	No fabrics available at this time.																		
Price Category 10	Z22__ Superweave																		
Price Category 11-13	No fabrics available at this time.																		
Price Category 14	Z13__ Lanalux																		
Price Category A	No fabrics available at this time.																		
Price Category B	VM__ Medium																		
	TI__ Messenger *																		
Price Category C	ZLR__ Lariat [N]																		
	Z27__ Manner																		
	88Z__ Merit																		
	Z3__ Metric																		
	ZML__ Milestone																		
	8EY__ Murmur																		
Price Category D	ZAT__ Article [N]																		
	ZMD__ Mode																		
Price Category E	896__ Dwell																		
	ZFS__ Focus																		
	V9G__ Ledger [N]																		
	ZMB__ Micro																		
	Z32__ Skein																		
Price Category F	ZAS__ Abacus Standard																		
	ZAY__ Alloy [N]																		
	ZAL__ Alter																		
	82T__ Apt [N]																		
	ZBT__ Bitmap [N]																		
	871__ Brindle																		
	V9M__ Chime [N]																		

Appendix: Maharam Application Chart — Collection Seating, Geiger

continued on next page

* Available in select colors on 20-day lead-time. Refer to “Maharam Textile Colors-Collection Seating” for 20-day colors.

Maharam®
Application Chart —
Collection Seating,
Geiger
continued

Price Category F *continued*

	Brabo™ Lounge Seating	Bumper™ Seating	Crosshatch™ Lounge Seating	Crosshatch Side Chair	Envelope™ Chair	Full Twist™ Chair	Landmark™ Chair	Leeway™ Seating	Nessel™ Chair	Reframe™ Lounge Seating High-Back Chair	Reframe Lounge Seating Mid-Back Chair	Reframe Lounge Seating Wing-Back Chair	Rolled Arm™ Sofa Group	Saiba™ Seating	Scissor™ Chair	Sled™ Chair	Tuxedo Component Lounge™/Tuxedo Classic Seating Quilted	Tuxedo Component Lounge™/Tuxedo Classic Seating Non-quilted
ZCJ__ Coincide	•	•	•		•	•	•								•	•		•
87Z__ Conduit	•		•		•	•	•	•					•		•	•		•
VS__ Crush	•	•	•		•	•	•						•		•	•		•
ZEE__ Exchange	•	•	•		•	•	•								•	•		•
74M__ Instill [N]	•	•	•		•	•	•	•					•		•	•		•
ZPC__ Pitch [N]	•	•	•		•	•	•		•				•		•	•		•
Z29__ Plait	•	•	•		•	•	•		•				•		•	•		•
ZRV__ Rove	•	•	•		•	•	•		•				•		•	•		•
ZRA__ Runner Standard	•		•		•	•	•								•	•		•
V9B__ Scuba [N]	•	•	•		•	•	•		•				•		•	•		•
ZSG__ Steady	•	•	•		•	•	•								•	•		•
Z33__ Strum [N]	•	•	•		•	•	•		•				•		•	•		•
TP__ Trait	•	•	•		•	•	•						•		•	•		•

Price Category G

ZAD__ Across	•	•	•		•	•	•						•		•	•		•
ZAK__ Akimbo	•	•	•		•	•	•								•	•		•
ZB1__ Basel	•	•			•	•	•								•	•		•
ZC5__ Canvas	•	•	•		•	•	•	•					•		•	•		•
V9C__ Chance	•	•	•		•	•	•						•		•	•		•
ZCU__ Circuit	•	•	•		•	•	•		•				•		•	•		•
ZCF__ Coincide High Performance	•	•	•		•	•	•								•	•		•
ZCQ__ Colline	•	•	•		•	•	•			•	•	•			•	•		•
ZC2__ Compound [N]	•	•	•		•	•	•		•	•	•				•	•		•
ZCZ__ Crew	•	•	•		•	•	•						•		•	•		•
T1__ Dart	•	•	•		•	•	•		•						•	•		•
VA__ Decode	•	•	•		•	•	•								•	•		•
ZDP__ Disperse	•	•	•		•	•	•		•		•		•		•	•		•
TG__ Divina Melange																	3	3
ZDE__ Drape [N]	•	•	•		•	•	•								•	•		•
ZFE__ Floret	•	•	•		•	•	•		•				•		•	•		•
ZFC__ Fluent Crypton	•	•	•		•	•	•		•				•		•	•		•
ZKN__ Kindred	•	•	•		•	•	•		•						•	•		•
ZMM__ Mimic [N]	•	•	•		•	•	•		•				•		•	•		•
ZPR__ Pare	•	•	•		•	•	•	•	•				•	•	•	•		•
ZPV__ Paver	•	•	•		•	•	•						•		•	•		•
V26__ Remix								•										
ZRF__ Runner	•		•		•	•	•								•	•		•
Z31__ Sequence	•		•		•	•	•								•	•		•
V9E__ Steady Crypton	•	•	•		•	•	•		•				•		•	•		•

continued on next page

Maharam® Application Chart — Collection Seating, Geiger

continued

	Brabo™ Lounge Seating	Bumper™ Seating	Crosshatch™ Lounge Seating	Crosshatch Side Chair	Envelope™ Chair	Full Twist™ Chair	Landmark™ Chair	Leeway™ Seating	Nessel™ Chair	Reframe™ Lounge Seating High-Back Chair	Reframe Lounge Seating Mid-Back Chair	Reframe Lounge Seating Wing-Back Chair	Rolled Arm™ Sofa Group	Saiba™ Seating	Scissor™ Chair	Sled™ Chair	Tuxedo Component Lounge™/Tuxedo Classic Seating Quilted	Tuxedo Component Lounge/Tuxedo Classic Seating Non-quilted
Price Category G <i>continued</i>																		
ZSE__ Steelcut	•	•	•		•	•	•	•	•	•	•		•		•	•	•	•
V25__ Steelcut Trio	•	•	•			•	•	•	•	•	•		•		•	•	•	•
ZSD__ Sudden [N]	•	•	•		•	•	•		•				•		•	•		
ZTT__ Tilt	•	•					•								•			•
ZTC__ Tonica	•	•	•		•	•	•		•	•	•	•	•		•	•	•	•
ZUR__ Urban	•	•	•		•	•	•								•	•		•
ZVT__ Vestige	•	•				•	•								•			•
Price Category H																		
ZAC__ Abacus	•	•	•		•	•	•						•		•	•	•	•
ZAN__ Anagram	•	•	•		•	•	•		•						•	•	•	•
ZBM__ Beam	•	•	•		•	•	•		•						•	•		•
ZBG__ Blip	•	•	•		•	•	•		•				•		•	•	•	•
ZCC__ Chenille Cord	•	•	•		•	•	•								•	•		•
ZT__ Circles																		
ZS__ Crosspatch																		
Z2D__ Ditto	•	•	•		•	•	•		•				•		•	•	•	•
TF__ Divina																	3	3
Z23__ Divina MD	•	•	•		•	•	•		•	•	•		•		•	•	•	•
ZK__ Dot Pattern																	3	3
ZFN__ Fasten	•	•	•		•	•	•		•				•		•	•	•	•
Z24__ Hallingdal	•	•	•	•	•	•	•	•	•	•	•	•	•		•	•	•	•
ZMC__ Mechanism	•	•	•		•	•	•						•		•	•		
ZMG__ Mister	•		•		•	•	•		•						•			•
ZQT__ Octave	•	•	•		•	•	•								•	•	•	•
ZQF__ Offset	•	•	•		•	•	•								•	•	•	•
ZRT__ Regatta	•	•	•		•	•	•		•				•		•	•	•	•
ZRU__ Rule	•	•	•		•	•	•								•	•	•	•
ZSL__ Salon	•	•	•		•	•			•				•		•		•	•
ZL__ Small Dot Pattern																	3	3
ZTN__ Tonus	•	•	•		•	•	•		•	•	•	•	•	•	•	•	•	•

continued on next page

Maharam®
Application Chart —
Collection Seating,
Geiger
continued

	Brabo™ Lounge Seating	Bumper™ Seating	Crosshatch™ Lounge Seating	Crosshatch Side Chair	Envelope™ Chair	Full Twist™ Chair	Landmark™ Chair	Leeway™ Seating	Nessel™ Chair	Reframe™ Lounge Seating High-Back Chair	Reframe Lounge Seating Mid-Back Chair	Reframe Lounge Seating Wing-Back Chair	Rolled Arm™ Sofa Group	Saiba™ Seating	Scissor™ Chair	Sled™ Chair	Tuxedo Component Lounge™/Tuxedo Classic Seating Quilted	Tuxedo Component Lounge/Tuxedo Classic Seating Non-quilted
Price Category I																		
ZCW__Colorwheel	•	•	•		•	•	•		•				•		•	•	•	•
7CW__Cursive	•		•		•	•	•								•		•	•
ZGN__Garden	•	•	•		•	•	•		•				•		•	•	•	•
ZSY__Study	•	•				•	•								•		•	•
ZVS__Vases	•	•	•		•	•	•		•				•		•	•	•	•
ZVY__Vineyard	•	•	•		•	•	•		•				•		•	•	•	•
ZVG__Voyage	•		•			•	•						•		•	•	•	•
Price Category J																		
ZCL__Coach Cloth	•	•	•			•	•		•				•		•		•	•
ZDD__Design 9297	•	•	•		•	•	•		•				•		•		•	•
ZFK__Fluted Silk																		
ZMT__Melange Tweed																		
V19__Mikado																		
ZSW__Soft Tweed	•	•	•		•	•	•		•				•		•	•	•	•
ZTG__Tangram	•	•	•		•	•	•		•						•	•	•	•
ZTA__Telary	•	•	•		•	•	•		•				•		•	•	•	•
ZTB__Transport	•		•			•	•						•		•	•	•	•
ZWB__Waterborn [N]	•		•			•	•		•				•		•	•	•	•
ZWR__Wool Rib	•	•	•		•	•	•						•		•	•	•	•
Price Category K																		
ZC6__Carapace	•	•				•	•								•		•	•
V12__Checker	•	•	•		•	•	•		•						•	•	•	•
V13__Checker Split	•	•	•		•	•	•		•						•	•	•	•
ZDB__Dingbats	•	•	•		•	•	•		•				•		•	•	•	•
V14__Double Triangles	•	•	•		•	•	•		•				•		•	•	•	•
V15__Facets	•	•	•		•	•	•		•				•		•	•	•	•
ZQP__Optik	•	•	•		•	•	•		•				•		•	•	•	•
ZQR__Orakelblume	•	•	•		•	•	•		•				•		•	•	•	•
ZPS__Painted Stripe	•	•	•		•	•	•		•						•	•	•	•
V20__Pavement			•	•	•	•	•	•							•	•		
ZTE__Trees	•	•	•		•	•	•		•				•		•	•	•	•
ZUN__Unisol	•	•	•		•	•	•		•						•	•	•	•

continued on next page

Maharam® Application Chart — Collection Seating, Geiger

continued

	Brabo™ Lounge Seating	Bumper™ Seating	Crosshatch™ Lounge Seating	Crosshatch Side Chair	Envelope™ Chair	Full Twist™ Chair	Landmark™ Chair	Leeway™ Seating	Nessel™ Chair	Reframe™ Lounge Seating High-Back Chair	Reframe Lounge Seating Mid-Back Chair	Reframe Lounge Seating Wing-Back Chair	Rolled Arm™ Sofa Group	Saiba™ Seating	Scissor™ Chair	Sled™ Chair	Tuxedo Component Lounge™/Tuxedo Classic Seating Quilted	Tuxedo Component Lounge/Tuxedo Classic Seating Non-quilted
Price Category L																		
ZAH__Alpaca Herringbone	•	•	•		•	•	•		•				•		•	•		
ZBN__Blumen	•	•	•		•	•	•		•				•		•	•	•	•
ZEP__Exaggerated Plaid	•	•	•		•	•	•		•				•		•	•		
ZGM__Geometri	•	•	•		•	•	•		•				•		•	•	•	•
V16__Jacobs Coat	•	•	•		•	•	•		•				•		•	•		
ZLT__Letters	•	•	•		•	•	•						•		•	•		
V17__Millerstripe	•	•	•		•	•	•						•		•	•		•
ZMS__Mohair Supreme	•	•	•		•	•	•						•		•	•	•	•
ZMW__Monk's Wool																		
V11__Palio				•				•										
ZPW__Pebble Wool																		
ZPM__Pebble Wool Multi																		
V21__Quatrefoil			•	•	•	•	•	•	•						•	•	3	3
ZRS__Repeat Classic Stripe	•		•		•	•	•								•	•	•	•
ZRR__Repeat Dot Ring	•	•	•		•	•	•		•				•		•	•	•	•
ZSP__Stripes	•	•	•		•	•	•		•						•	•	•	•
ZTS__The Story of My Life	•	•	•		•	•	•		•				•		•	•	•	•
V22__Toostripe	•	•	•		•	•	•		•						•	•	•	•
Price Category M																		
V18__Names			•	•	•	•	•	•	•						•	•	•	•
ZQN__Ottoman Stripe	•	•	•		•	•	•		•						•	•	•	•
T11__Pressed Plaid					•	•	•								•	•	•	•
T12__Wool Striae					•	•	•								•			
Price Category N																		
ZAE__Alpaca Epinglé	•	•	•		•	•	•						•		•	•		
ZAV__Alpaca Velvet	•	•	•		•	•	•						•		•	•		
ZBP__Bespoke Stripe	•	•	•		•	•	•		•						•	•	•	•
ZKP__Herringbone Stripe	•	•	•		•	•	•		•						•	•	•	•
ZPT__Point	•	•	•		•	•	•								•	•		
ZWV__Wool Velvet	•	•	•		•	•	•						•		•	•	•	•
Price Category O																		
ZBS__Bavaria Stripe	•	•	•		•	•	•		•						•	•	•	•
Price Category P																		
ZBR__Big Stripe	•	•	•		•	•	•		•						•	•	•	•
ZBJ__Brushed Merino	•	•	•		•	•	•		•				•		•	•	•	•
ZES__Epinglé Stripe	•	•	•		•	•	•								•	•		
ZLY__Layers Garden	•	•	•		•	•	•		•				•		•	•	•	•
ZLP__Layers Park	•	•	•		•	•	•		•				•		•	•	•	•
ZLV__Layers Vineyard Large	•	•	•		•	•	•		•						•	•	•	•
ZLS__Layers Vineyard Small	•	•	•		•	•	•		•				•		•	•	•	•

continued on next page

Maharam®
Application Chart —
Collection Seating,
Geiger
continued

	Brabo™ Lounge Seating	Bumper™ Seating	Crosshatch™ Lounge Seating	Crosshatch Side Chair	Envelope™ Chair	Full Twist™ Chair	Landmark™ Chair	Leeway™ Seating	Nessel™ Chair	Reframe™ Lounge Seating High-Back Chair	Reframe Lounge Seating Mid-Back Chair	Reframe Lounge Seating Wing-Back Chair	Rolled Arm™ Sofa Group	Saiba™ Seating	Scissor™ Chair	Sled™ Chair	Tuxedo Component Lounge™/Tuxedo Classic Seating Quilted	Tuxedo Component Lounge/Tuxedo Classic Seating Non-quilted
Price Category Q																		
ZAB__ A Band Apart	•	•	•		•	•	•								•	•	•	•
ZAG__ Agency	•	•	•		•	•	•								•	•	•	•
ZBA__ Brushed Camel	•	•	•		•	•	•		•				•		•	•	•	•
ZDS__ Deconstructed Rose			•		•	•												
ZMV__ Massive Paisley	•	•	•		•	•	•		•						•	•	•	•
ZTF__ The Firm	•	•	•		•	•	•		•						•	•	•	•
Price Category R																		
ZBB__ Borders	•	•	•		•	•	•						•		•	•	•	•
ZCA__ Compartment	•	•	•		•	•	•								•	•	•	•
Price Category S																		
ZBV__ Bavaria	•	•	•		•	•	•		•						•	•	•	•
Price Category T																		
ZKR__ Hours	•	•	•		•	•	•								•	•		
Price Category U																		
ZLD__ Layers Garden Double	•	•	•		•	•	•						•		•	•		
ZLB__ Layers Park Double	•	•	•		•	•	•						•		•	•		
Price Category V-W																		
No fabrics available at this time.																		
Price Category X																		
ZED__ Eden	•	•				•	•								•			•
ZFG__ Foliage	•	•				•	•						•		•	•		•
Price Category Y																		
ZND__ Industry	•	•				•	•								•			•
Price Category Z																		
No fabrics available at this time.																		
Leather Price Category 10M																		
ZPA__ Pace Leather [N]																		

1 Available in select colors. Refer to “Maharam Textile Colors - Collection Seating” for color offering.
3 Available on Tuxedo Classic Seating products only.

Maharam Textile Colors — Collection Seating

Price Category 1-2

No fabrics available at this time.

Price Category 3

Meld – Maharam

54" wide
 68% post-consumer recycled polyester
 32% polyester
 PFOA-Free stain resistant

ZM201/466387-201 Vast
 ZM202/466387-202 Panda *
 ZM203/466387-203 Skyline *
 ZM204/466387-204 Knight *
 ZM205/466387-205 Quill **
 ZM206/466387-206 Pipe
 ZM207/466387-207 Grate *
 ZM208/466387-208 Gloss
 ZM209/466387-209 Bulb
 ZM210/466387-210 Bride
 ZM211/466387-211 Stark
 ZM212/466387-212 Seashell
 ZM213/466387-213 Antler
 ZM214/466387-214 Crater *
 ZM215/466387-215 Perennial
 ZM216/466387-216 Mulberry
 ZM217/466387-217 Fuchsia *
 ZM218/466387-218 Amethyst *
 ZM219/466387-219 Merlot
 ZM220/466387-220 Magma *
 ZM221/466387-221 Rooster
 ZM222/466387-222 Heat *
 ZM223/466387-223 Clementine
 ZM224/466387-224 Fox
 ZM225/466387-225 Kiss *
 ZM226/466387-226 Bare
 ZM227/466387-227 Blonde
 ZM228/466387-228 Mimosa
 ZM229/466387-229 Comet *
 ZM230/466387-230 Honeydew
 ZM231/466387-231 Wild *
 ZM232/466387-232 Vine
 ZM233/466387-233 Seed
 ZM234/466387-234 Kale *

* Colors available on
 20-day lead time.

** Colors available on
 10-day lead time.

Meld continued

ZM235/466387-235 Waterfall *
 ZM236/466387-236 Nordic *
 ZM237/466387-237 Reef *
 ZM238/466387-238 Wave
 ZM239/466387-239 Isle **
 ZM240/466387-240 Creek
 ZM241/466387-241 Mariner *
 ZM242/466387-242 Globe
 ZM243/466387-243 Spa

Price Category 4-9

No fabrics available at this time.

- Maharam textiles are on assigned lead times [A](#).
- Fabric numbers are listed as Herman Miller fabric number/Maharam fabric number.

Maharam Textile Colors — Collection Seating

continued

Price Category 10	Price Category 11-13	Price Category 14	Price Category A
<p>Superweave - Maharam</p> <p>54" wide 75% polyester 25% cotton</p> <p>Z2203/466241-005 Sienna Z2204/466241-002 Ochre Z2207/466241-004 Marine Z2208/466241-003 Olive Z2220/466241-001 Orange and Pink</p>	<p>No fabrics available at this time.</p>	<p>Lanalux - Maharam</p> <p>54" wide 100% wool</p> <p>Z1375/466240-005 Black/White Z1378/466240-006 Olive/Black Z1380/466240-001 Natural Z1383/466240-002 Umber Z1384/466240-007 Natural/Black Z1386/466240-003 Orange Z1387/466240-004 Crimson</p>	<p>No fabrics available at this time.</p>

- Maharam textiles are on assigned lead times [A](#).
- Fabric numbers are listed as Herman Miller fabric number/Maharam fabric number.

Maharam Textile Colors — Collection Seating

continued

Price Category B

Medium – Maharam

54" wide
100% polyester
VM01/463490-001 Raven
VM02/463490-002 Smoke
VM03/463490-003 Alloy
VM04/463490-004 Flax
VM06/463490-006 Bark
VM07/463490-007 Espresso
VM08/463490-008 Pecan
VM12/463490-012 Pumpkin
VM13/463490-013 Persimmon
VM14/463490-014 Laser
VM16/463490-016 Port
VM22/463490-022 Marina
VM29/463490-029 Pistachio
VM32/463490-032 Prospect
VM36/463490-036 Delight
VM39/463490-039 Nautical
VM40/463490-040 Pool
VM44/463490-044 Washed
VM45/463490-045 Sculpture
VM46/463490-046 Thatched
VM47/463490-047 Hike
VM48/463490-048 Tangle
VM49/463490-049 Pacific
VM50/463490-050 Cosmic
VM51/463490-051 Cascade
VM52/463490-052 Blackberry
VM53/463490-053 Nasturtium
VM54/463490-054 Wooded

Messenger – Maharam

54" wide
78% post-industrial recycled polyester
15% polyester, 7% nylon
TI07/458640-007 Shadow
TI08/458640-008 Bayou *
TI24/458640-024 Poppy
TI25/458640-025 Mao
TI29/458640-029 Onyx *
TI31/458640-031 Cloud *
TI38/458640-038 Depth *
TI40/458640-040 Nile *
TI41/458640-041 Azure *
TI45/458640-045 Cactus *
TI46/458640-046 Ice * **
TI48/458640-048 Neon
TI50/458640-050 Hydrangea
TI53/458640-053 Tangelo
TI54/458640-054 Lumine *
TI58/458640-058 Snow **
TI60/458640-060 Peridot
TI61/458640-061 Capri *
TI62/458640-062 Ultramarine
TI63/458640-063 Squall
TI66/458640-066 Cassis
TI67/458640-067 Aster
TI69/458640-069 Cherry
TI70/458640-070 Vibrant
TI71/458640-071 Satsuma *
TI72/458640-072 Maize

Messenger continued

TI76/458640-076 Fossil
TI77/458640-077 Ash
TI78/458640-078 Tusk
TI79/458640-079 Oyster **
TI81/458640-081 Husk
TI84/458640-084 Robust
TI85/458640-085 Beyond
TI86/458640-086 Voyage *
TI87/458640-087 Everglade
TI89/458640-089 Blanch
TI90/458640-090 Longspur
TI91/458640-091 Vireo
TI92/458640-092 Dipper
TI93/458640-093 Gale
TI94/458640-094 Hunter
TI95/458640-095 Lime
TI96/458640-096 Apple
TI97/458640-097 Krill
TI98/458640-098 Catalyst

* Colors available on 20-day lead time.

** Colors not available on Eames Molded Fiberglass and Molded Plastic Side Chairs.

Price Category C

Lariat – Maharam

54" wide
100% vinyl
ZLR01/440401-001 001
ZLR02/440401-002 002
ZLR03/440401-003 003
ZLR04/440401-004 004
ZLR06/440401-006 006
ZLR07/440401-007 007
ZLR08/440401-008 008
ZLR10/440401-010 010
ZLR11/440401-011 011
ZLR12/440401-012 012
ZLR13/440401-013 013
ZLR14/440401-014 014
ZLR15/440401-015 015
ZLR16/440401-016 016
ZLR18/440401-018 018
ZLR20/440401-020 020
ZLR21/440401-021 021
ZLR23/440401-023 023
ZLR24/440401-024 024
ZLR25/440401-025 025
ZLR26/440401-026 026
ZLR27/440401-027 027
ZLR28/440401-028 028
ZLR29/440401-029 029
ZLR30/440401-030 030
ZLR31/440401-031 031
ZLR32/440401-032 032
ZLR33/440401-033 033
ZLR34/440401-034 034
ZLR35/440401-035 035
ZLR36/440401-036 036
ZLR37/440401-037 037
ZLR38/440401-038 038

Price category C continued on next page

- Maharam textiles are on assigned lead times [A](#).
- Fabric numbers are listed as Herman Miller fabric number/Maharam fabric number.

Maharam Textile Colors – Collection Seating

continued

Price Category C

continued

Manner - Maharam	
54" wide	
65% post-industrial recycled polyester	
35% post-consumer recycled polyester	
Z2701/466177-001	Magic
Z2702/466177-002	Carob
Z2703/466177-003	Porpoise
Z2704/466177-004	Flint
Z2705/466177-005	Hush *
Z2706/466177-006	Nuance
Z2711/466177-011	Ember
Z2712/466177-012	Wagon
Z2713/466177-013	Ablaze
Z2714/466177-014	Peel
Z2716/466177-016	Butterscotch
Z2717/466177-017	Harvest
Z2720/466177-020	Parakeet
Z2722/466177-022	Aquatic
Z2723/466177-023	Cottage
Z2724/466177-024	Dahlia
Z2725/466177-025	Vivid
Z2726/466177-026	Basin
Z2727/466177-027	Schooner
Z2728/466177-028	Slope
Z2729/466177-029	Silverpoint
Z2730/466177-030	Lattice
Z2731/466177-031	Smoky
Z2732/466177-032	Magnetic
Z2733/466177-033	Woad
Z2734/466177-034	Resolute
Z2735/466177-035	Cruise
Z2736/466177-036	Atmospheric
Z2737/466177-037	Cloudburst
Z2738/466177-038	Tidewater
Z2739/466177-039	Firth
Z2740/466177-040	Oceanside
Z2741/466177-041	Grandeur
Z2742/466177-042	Comfort
Z2743/466177-043	Dill
Z2744/466177-044	Poplar
Z2745/466177-045	Citronella
Z2746/466177-046	Passerine

Manner continued	
Z2747/466177-047	Southwest
Z2748/466177-048	Roseate
Z2749/466177-049	Charisma
Z2750/466177-050	Siltstone
Z2751/466177-051	Kimono
Z2752/466177-052	Valiant
Z2753/466177-053	Baroness
* Color not available on Eames Aluminum Group, Executive Chairs, Upholstered Molded Plywood Chairs, and Sofa Compact.	
Merit - Maharam	
54" wide	
76% post-industrial recycled polyester	
24% polyester	
PFOA-Free stain resistant	
88Z01/466444-001	Trickle
88Z02/466444-002	Beluga
88Z03/466444-003	Gunmetal
88Z04/466444-004	Blackout
88Z05/466444-005	Superior
88Z06/466444-006	Ocean
88Z07/466444-007	Highborn
88Z08/466444-008	Immersed
88Z09/466444-009	Rainfall
88Z10/466444-010	Blizzard
88Z11/466444-011	Poolside
88Z12/466444-012	Steel
88Z13/466444-013	Zircon
88Z14/466444-014	Ripple
88Z15/466444-015	Aegean
88Z16/466444-016	Armada
88Z17/466444-017	Hedera
88Z18/466444-018	Rainforest
88Z19/466444-019	Gator
88Z20/466444-020	Vineyard
88Z21/466444-021	Pine
88Z22/466444-022	Kiwi
88Z23/466444-023	Kookaburra
88Z24/466444-024	Bellini

Merit continued	
88Z25/466444-025	Sunflower
88Z26/466444-026	Sandstorm
88Z27/466444-027	Mudder
88Z28/466444-028	Lynx
88Z29/466444-029	Farro
88Z30/466444-030	Manila
88Z31/466444-031	Starfish
88Z32/466444-032	Brass
88Z33/466444-033	Arrow
88Z34/466444-034	Gelato
88Z35/466444-035	Nectarine
88Z36/466444-036	Macaron
88Z37/466444-037	Alert
88Z38/466444-038	Goji
88Z39/466444-039	Cabernet
88Z40/466444-040	Eggplant
88Z41/466444-041	Hawk
88Z42/466444-042	Stag
88Z43/466444-043	Overcast
Merit - Maharam	
54" wide	
51% post-industrial recycled polyester	
49% polyester	
Z302/466014-002	Fog
Z303/466014-003	Fleece
Z312/466014-012	Cardinal
Z313/466014-013	Lava
Z318/466014-018	Pollen
Z320/466014-020	Alligator
Z323/466014-023	Tar
Z324/466014-024	Anchor
Z326/466014-026	Admiral
Z327/466014-027	Seaport
Z328/466014-028	Scuba
Z329/466014-029	Skate
Z330/466014-030	Hopscotch
Z331/466014-031	Film
Z332/466014-032	Whale
Z333/466014-033	Downpour
Z334/466014-034	Midday
Z335/466014-035	Talisman

Metric continued	
Z336/466014-036	Hedgerow
Z337/466014-037	Snorkel
Z338/466014-038	Highway
Z339/466014-039	Canary
Z340/466014-040	Sunny
Z341/466014-041	Aztec
Z342/466014-042	Fruit
Z343/466014-043	Galah
Z344/466014-044	Kiln
Z345/466014-045	Moth
Milestone - Maharam	
54" wide	
78% post-industrial recycled polyester	
15% polyester	
7% nylon	
ZML22/403901-022	Pewter
ZML25/403901-025	Charcoal
ZML26/403901-026	Ebony
ZML29/403901-029	Medium Grey
ZML31/403901-031	Ground
ZML46/403901-046	Tortoise
ZML47/403901-047	Rush
ZML54/403901-054	Linger
ZML55/403901-055	Embrace
ZML57/403901-057	Coffee
ZML58/403901-058	Bison
ZML61/403901-061	Tiger Lily
ZML62/403901-062	Aurora
ZML69/403901-069	Lychee *
ZML71/403901-071	Daffodil
ZML72/403901-072	Ecro
ZML77/403901-077	Basil
ZML78/403901-078	Spruce
ZML79/403901-079	Fountain
ZML80/403901-080	Mykonos
* Color not available on Eames Aluminum Group, Executive Chairs, Upholstered Molded Plywood Chairs, and Sofa Compact.	

Price category C continued on next page

- Maharam textiles are on assigned lead times [A](#).
- Fabric numbers are listed as Herman Miller fabric number/Maharam fabric number.

Maharam Textile Colors — Collection Seating

continued

Price Category C

continued

Murmur - Maharam

55" wide
100% polyester
PFOA-Free stain resistant
8EY01/466446-001 Gust
8EY02/466446-002 Harmonica
8EY03/466446-003 Canopy
8EY04/466446-004 Dim
8EY05/466446-005 Peppercorn
8EY06/466446-006 Cauldron
8EY07/466446-007 Conquer
8EY08/466446-008 Rapids
8EY09/466446-009 Seawater
8EY10/466446-010 Baby
8EY11/466446-011 Elderberry
8EY12/466446-012 Iceberg
8EY13/466446-013 Tallgrass
8EY14/466446-014 Underground
8EY15/466446-015 Biome
8EY16/466446-016 Cask
8EY17/466446-017 Argan
8EY18/466446-018 Sundown
8EY19/466446-019 Ignite
8EY20/466446-020 Sultry
8EY21/466446-021 Sangria

Price Category D

Article – Maharam

54" wide
100% vinyl
ZAT08/458600-008 Marina
ZAT13/458600-013 Flume
ZAT14/458600-014 Storm
ZAT15/458600-015 Toast
ZAT19/458600-019 Fleece
ZAT22/458600-022 Stone
ZAT26/458600-026 Mercury
ZAT29/458600-029 Bluegrass
ZAT31/458600-031 Truffle
ZAT32/458600-032 Gravel
ZAT33/458600-033 Value
ZAT34/458600-034 Tint
ZAT35/458600-035 Snowflake
ZAT36/458600-036 Chalice
ZAT37/458600-037 Trail
ZAT38/458600-038 Pyramid
ZAT39/458600-039 Desert
ZAT40/458600-040 Lei
ZAT41/458600-041 Rouge
ZAT42/458600-042 Karma
ZAT43/458600-043 Opal
ZAT44/458600-044 Periwinkle
ZAT45/458600-045 Vampire
ZAT46/458600-046 Surf
ZAT47/458600-047 Plumage

Mode – Maharam

54" wide
80% post-consumer recycled polyester
20% polyester
PFOA-Free stain resistant finish
ZMD01/466337-001 Stroll
ZMD02/466337-002 Intaglio
ZMD03/466337-003 Ominous
ZMD04/466337-004 Machine
ZMD05/466337-005 Talus

Mode continued

ZMD06/466337-006 Marsh
ZMD07/466337-007 Hollow
ZMD08/466337-008 Sycamore
ZMD09/466337-009 Clavicle
ZMD10/466337-010 Billygoat
ZMD11/466337-011 Spindle
ZMD12/466337-012 Lemon
ZMD13/466337-013 Oxeye
ZMD14/466337-014 Henge
ZMD15/466337-015 Goldenrod
ZMD16/466337-016 Cottontail
ZMD17/466337-017 Lioness
ZMD18/466337-018 Oriole
ZMD19/466337-019 Rust
ZMD20/466337-020 Carotene
ZMD21/466337-021 Blush
ZMD22/466337-022 Vermillion
ZMD23/466337-023 Alder
ZMD24/466337-024 Kermes
ZMD25/466337-025 Barberry
ZMD26/466337-026 Petal
ZMD27/466337-027 Valley
ZMD28/466337-028 Odyssey
ZMD29/466337-029 Ballpoint
ZMD30/466337-030 Toile
ZMD31/466337-031 Paradise
ZMD32/466337-032 Angelfish
ZMD33/466337-033 Denim
ZMD34/466337-034 Crush
ZMD35/466337-035 Jetty
ZMD36/466337-036 Saltwater
ZMD37/466337-037 Mallard
ZMD38/466337-038 Celtic
ZMD39/466337-039 Eucalyptus
ZMD40/466337-040 Bonsai
ZMD41/466337-041 Sassafras
ZMD42/466337-042 Yucca
ZMD43/466337-043 Lichen

Price Category E

Dwell - Maharam

54" wide
68% post-industrial recycled polyester
32% post-consumer recycled polyester
PFOA-Free stain resistant
Latex backing
89601/466419-001 Sesame
89602/466419-002 Summit
89603/466419-003 Freeze
89604/466419-004 Poolside
89605/466419-005 Teal
89606/466419-006 Mojito
89607/466419-007 Lizard
89608/466419-008 Thunder
89609/466419-009 Foil
89610/466419-010 Wine
89611/466419-011 Firecracker

Focus - Maharam

57" wide
54% post-industrial recycled polyester
33% polyester
13% post-consumer recycled polyester
ZFS02/465910-002 Allow
ZFS07/465910-007 Merlot
ZFS09/465910-009 Carbon
ZFS10/465910-010 Regatta

Price category E continued on next page

- Maharam textiles are on assigned lead times [A](#).
- Fabric numbers are listed as Herman Miller fabric number/Maharam fabric number.

Maharam Textile Colors — Collection Seating

continued

Price Category E

continued

Appendix: Maharam Textile Colors — Collection Seating

Ledger – Maharam	
54" wide	
100% polyurethane	
V9G1/463770-001	001
V9G2/463770-002	002
V9G3/463770-003	003
V9G4/463770-004	004
V9GG/463770-017	017
V9GM/463770-022	022
V9GQ/463770-025	025
V9GS/463770-026	026
V9GU/463770-028	028
V9GV/463770-029	029
V9GW/463770-030	030
V9GX/463770-031	031
V9GY/463770-032	032
V9GZ/463770-033	033
V9G12/463770-036	036
V9G13/463770-037	037
V9G15/463770-039	039
V9G16/463770-040	040
V9G17/463770-041	041
V9G18/463770-042	042
V9G19/463770-043	043
V9G20/463770-044	044
V9G21/463770-045	045
V9G22/463770-046	046

Micro – Maharam	
54" wide	
100% vinyl	
ZMB01/466099-001	Muslin
ZMB04/466099-004	Basalt
ZMB05/466099-005	Wenge
ZMB06/466099-006	Phantom
ZMB07/466099-007	Depth
ZMB08/466099-008	Cottage
ZMB09/466099-009	Hunter
ZMB11/466099-011	Tomatillo
ZMB12/466099-012	Brew
ZMB13/466099-013	Zest
ZMB14/466099-014	Tang
ZMB15/466099-015	Risk

Skein - Maharam	
54" wide	
56% post-consumer recycled polyester	
44% polyester	
Z3201/466170-001	Burrow
Z3204/466170-004	Sumac
Z3205/466170-005	Pomegranate
Z3208/466170-008	Cinder
Z3209/466170-009	Dock
Z3210/466170-010	Cadet
Z3211/466170-011	Marsh

Price Category F

Abacus Standard - Maharam	
54" wide	
54% post-industrial recycled polyester	
46% post-consumer recycled polyester	
ZAS10/466140-010	Replica *
ZAS11/466140-011	Cellar
ZAS12/466140-012	Extract

* Color not available on Eames Upholstered Molded Plywood Chairs and Sofa Compact.

Alloy - Maharam	
54" wide	
100% polyurethane	
ZAY01/466064-001	Chalk *
ZAY02/466064-002	Oat
ZAY03/466064-003	Chamomile
ZAY04/466064-004	Navel
ZAY05/466064-005	Sultry
ZAY06/466064-006	Aubergine
ZAY07/466064-007	Truffle
ZAY08/466064-008	Peat
ZAY09/466064-009	Sapling
ZAY10/466064-010	Peacock
ZAY11/466064-011	Rave
ZAY12/466064-012	Baltic
ZAY13/466064-013	Lapis
ZAY14/466064-014	Indigo
ZAY15/466064-015	Heron
ZAY16/466064-016	Covert
ZAY17/466064-017	Zinc
ZAY18/466064-018	Mercury
ZAY19/466064-019	Flint
ZAY20/466064-020	Carbonite

* Color not available on Eames Aluminum Group, Executive Chairs, Upholstered Molded Plywood Chairs, and Sofa Compact.

Alter - Maharam	
59" wide	
59% post-industrial recycled polyester	
41% post-consumer recycled polyester	
ZAL01/464880-001	Veil
ZAL02/464880-002	Terra
ZAL03/464880-003	Umbra
ZAL04/464880-004	Illustrate
ZAL05/464880-005	Glen
ZAL06/464880-006	Ore
ZAL07/464880-007	Portray

Apt – Maharam	
54" wide	
100% polyurethane/silicone	
Ink-resistant protective top coat	
Polyester backing	
82T01/466392-001	Coconut
82T02/466392-002	Vibe
82T03/466392-003	Stampede
82T04/466392-004	Lumber
82T05/466392-005	Gingerbread
82T06/466392-006	Hickory
82T07/466392-007	Constellation
82T08/466392-008	Labyrinth
82T09/466392-009	Sketch
82T10/466392-010	Glacier
82T11/466392-011	Cobblestone
82T12/466392-012	Iris
82T13/466392-013	Nocturnal
82T14/466392-014	Fluid
82T15/466392-015	Eden
82T16/466392-016	Galactic
82T17/466392-017	Shoreline
82T18/466392-018	Jade
82T19/466392-019	Garden
82T20/466392-020	Botanic
82T21/466392-021	Chartreuse
82T22/466392-022	Crepe
82T23/466392-023	Lyric
82T24/466392-024	Turmeric
82T25/466392-025	Bengal

Price category F continued on next page

- Maharam textiles are on assigned lead times [A](#).
- Fabric numbers are listed as Herman Miller fabric number/Maharam fabric number.

Maharam Textile Colors – Collection Seating

continued

Price Category F

continued

Apt continued

82T26/466392-026	Core
82T27/466392-027	Mantle
82T28/466392-028	Sorbet
82T29/466392-029	Bloom
82T30/466392-030	Lotus
82T31/466392-031	Fortress
82T32/466392-032	Oak
82T33/466392-033	Castle
82T34/466392-034	Follow
82T35/466392-035	Elixir
82T36/466392-036	Charm
82T37/466392-037	Descend

Bitmap - Maharam

54" wide	
100% vinyl	
ZBT02/466066-002	Armadillo
ZBT05/466066-005	Blacktop
ZBT06/466066-006	Swift
ZBT07/466066-007	Freeze
ZBT10/466066-010	Aloe

Brindle - Maharam

58" wide	
100% polyester	
PFOA-free stain resistant	
Acrylic backing	
87101/466418-001	Calico
87102/466418-002	Mauve
87103/466418-003	Torch
87104/466418-004	Burnt
87105/466418-005	Barn
87106/466418-006	Pharaoh
87107/466418-007	Sandbur
87108/466418-008	Jungle
87109/466418-009	Inland
87110/466418-009	Seagrass
87111/466418-009	Watercolor
87112/466418-009	Aquarium
87113/466418-009	Drill

Chime - Maharam

54" wide	
100% vinyl	
V9M3/465350-003	Morel
V9M4/465350-004	Vessel
V9M7/465350-007	Particle
V9MA/465350-010	Peacock
V9MB/465350-011	Tranquil
V9MH/465350-018	Copper
V9MJ/465350-020	Slate
V9MM/465350-023	Cloud
V9MV/465350-031	Verve
V9MW/465350-032	Understory
V9MX/465350-033	Royal

Coincide - Maharam

54" wide	
100% polyester	
ZCJ01/465808-001	Mist
ZCJ02/465808-002	Drizzle
ZCJ03/465808-003	Cicada
ZCJ04/465808-004	Bungalow
ZCJ05/465808-005	Aurora
ZCJ06/465808-006	Currant
ZCJ07/465808-007	Raisin
ZCJ08/465808-008	Tranquil
ZCJ09/465808-009	Caribbean
ZCJ10/465808-010	Woodland
ZCJ11/465808-011	Acre

Conduit - Maharam

58" wide	
100% polyester	
PFOA-free stain resistant	
Acrylic backing	
87Z01/466428-001	Space
87Z02/466428-002	Syrup
87Z03/466428-003	Nimbus
87Z04/466428-004	Greystone
87Z05/466428-005	Fawn
87Z06/466428-006	Ghost
87Z07/466428-007	Caribbean
87Z08/466428-008	Canal
87Z09/466428-009	Bonfire

Crush – Maharam

54" wide	
41% solution-dyed post-industrial recycled nylon	
41% solution-dyed nylon	
15% polyester	
3% polyolefin	
VS01/464780-001	001
VS02/464780-002	002
VS05/464780-005	005
VS08/464780-008	008
VS13/464780-013	013
VS16/464780-016	016
VS17/464780-017	017
VS18/464780-018	018
VS19/464780-019	019
VS20/464780-020	020
VS22/464780-022	022
VS23/464780-023	023
VS26/464780-026	026
VS27/464780-027	027

Exchange - Maharam

58" wide	
58% post-industrial recycled polyester	
42% post-consumer recycled polyester	
ZEE01/466027-001	Cinder
ZEE02/466027-002	Sable
ZEE04/466027-004	Gull
ZEE06/466027-006	Coastline
ZEE07/466027-007	Clay
ZEE08/466027-008	Buck
ZEE10/466027-010	Rhubarb
ZEE11/466027-011	Punch

Instill – Maharam

54" wide	
100% polyurethane	
Ink-resistant protective top coat	
Polyester backing	
74M01/466351-001	Page
74M02/466351-002	Limestone
74M03/466351-003	Bobwhite
74M04/466351-004	Loafer
74M05/466351-005	Moor
74M06/466351-006	Barley
74M07/466351-007	Shaker
74M08/466351-008	Doe
74M09/466351-009	Ride
74M10/466351-010	Squire
74M11/466351-011	Tannin
74M12/466351-012	Vitis
74M13/466351-013	Sonar
74M14/466351-014	Quail
74M15/466351-015	Brittanic
74M16/466351-016	Narwhal
74M17/466351-017	Synth
74M18/466351-018	Stowaway
74M19/466351-019	Koala
74M20/466351-020	Dorsal
74M21/466351-021	Stealth

Pitch - Maharam

54" wide	
100% vinyl	
ZPC01/466186-001	Alpine
ZPC02/466186-002	Cottonseed
ZPC04/466186-004	Pollen
ZPC05/466186-005	Citron
ZPC07/466186-007	Apple
ZPC08/466186-008	Fairway
ZPC09/466186-009	Chive
ZPC10/466186-010	Ridge
ZPC11/466186-011	Voyage
ZPC12/466186-012	Turquoise
ZPC13/466186-013	Riviera
ZPC14/466186-014	Inlet
ZPC15/466186-015	Captain

Price category F continued on next page

- Maharam textiles are on assigned lead times [A](#).
- Fabric numbers are listed as Herman Miller fabric number/Maharam fabric number.

Maharam Textile Colors – Collection Seating

continued

Price Category F

continued

Pitch continued	
ZPC16/466186-016	Aura
ZPC17/466186-017	Coastal
ZPC18/466186-018	Fog
ZPC19/466186-019	Coal
ZPC20/466186-020	Saddle
ZPC21/466186-021	Mulberry
ZPC22/466186-022	Brick
ZPC24/466186-024	Flame
ZPC26/466186-026	Tumbleweed
ZPC27/466186-027	Tawny
ZPC28/466186-028	Derby
ZPC29/466186-029	Subtle
ZPC30/466186-030	Buff

Plait - Maharam	
58" wide	
53% post-industrial recycled polyester	
32% polyester	
15% post-consumer recycled polyester	
Z2901/466052-001	Cobblestone
Z2902/466052-002	Sachet
Z2904/466052-004	Tavern
Z2905/466052-005	Sequoia
Z2906/466052-006	Rhubarb
Z2907/466052-007	Sangria
Z2908/466052-008	Reef
Z2909/466052-009	Stormy
Z2910/466052-010	Dapper

Rove - Maharam	
54" wide	
100% solution-dyed polyolefin with silver-based antimicrobial	
ZRV01/466096-001	Rice *
ZRV02/466096-002	Soba
ZRV03/466096-003	Owl
ZRV04/466096-004	Till
ZRV05/466096-005	Dijon
ZRV06/466096-006	Mum
ZRV07/466096-007	Nasturtium
ZRV08/466096-008	Vixen
ZRV09/466096-009	Roast
ZRV11/466096-011	Rind
ZRV12/466096-012	Grackle
ZRV13/466096-013	Indigo
ZRV14/466096-014	Drip
ZRV16/466096-016	Pomelo

* Color not available on Eames Sofa Compact.

Runner Standard - Maharam	
58" wide	
57% post-industrial recycled polyester	
43% post-consumer recycled polyester	
ZRA07/466167-007	Bluff
ZRA08/466167-008	Arid
ZRA09/466167-009	Grove
ZRA10/466167-010	Starboard
ZRA11/466167-011	Plot
ZRA12/466167-012	Carousel

Scuba - Maharam	
54" wide	
100% polyurethane	
V9B1/464930-001	Vanilla
V9B4/464930-004	Walnut
V9B5/464930-005	Chinchilla
V9B6/464930-006	Mahogany
V9B7/464930-007	Jet
V9B8/464930-008	Charcoal
V9B9/464930-009	Dolphin
V9BA/464930-010	Drizzle
V9BC/464930-012	Conifer
V9BD/464930-013	Bottle
V9BF/464930-015	Tourmaline
V9BG/464930-016	Sapphire
V9BH/464930-017	Electric
V9BJ/464930-018	Fig
V9BL/464930-020	Cabernet
V9BM/464930-021	Brick
V9BN/464930-022	Coral
V9BP/464930-023	Autumn

Steady - Maharam	
54" wide	
46% polyester	
35% post-industrial recycled polyester	
19% post-consumer recycled polyester	
ZSG01/465947-001	Cameo
ZSG02/465947-002	Drife
ZSG05/465947-005	Thrive
ZSG06/465947-006	Estuary
ZSG07/465947-007	Aegean
ZSG08/465947-008	Tidal

Strum - Maharam	
54" wide	
100% polyurethane with silane-based antimicrobial	
Z3301/466122-001	Overcast
Z3302/466122-002	Ridge
Z3304/466122-004	Pigeon
Z3305/466122-005	Char
Z3306/466122-006	Cabin
Z3307/466122-007	Bur
Z3308/466122-008	Abalone
Z3309/466122-009	Prawn
Z3310/466122-010	Gourd
Z3311/466122-011	Wheat
Z3312/466122-012	Lemongrass

Trait - Maharam	
54" wide	
50% solution-dyed nylon	
50% solution-dyed post-industrial recycled nylon	
TP09/464830-009	009
TP15/464830-015	015
TP16/464830-016	016
TP17/464830-017	017
TP20/464830-020	020

- Maharam textiles are on assigned lead times ^A.
- Fabric numbers are listed as Herman Miller fabric number/Maharam fabric number.

Maharam Textile Colors — Collection Seating

continued

Price Category G

Across - Maharam

54" wide	
100% post-consumer recycled polyester	
ZAD01/465964-001	Oat
ZAD02/465964-002	Camel
ZAD03/465964-003	Tobacco
ZAD04/465964-004	Forge
ZAD05/465964-005	Terrace
ZAD06/465964-006	Cloudburst
ZAD07/465964-007	Peacock
ZAD08/465964-008	Schooner
ZAD09/465964-009	Urge
ZAD10/465964-010	Earthen
ZAD11/465964-011	Marmalade

Akimbo - Maharam

54" wide	
100% solution-dyed nylon	
ZAK01/464770-001	Parchment
ZAK02/464770-002	Bliss
ZAK04/464770-004	Walnut
ZAK05/464770-005	Carnelian
ZAK07/464770-007	Hearth

Basel - Maharam

55" wide	
90% wool	
10% nylon	
ZB101/466214-121	121
ZB102/466214-123	123
ZB103/466214-126	126
ZB104/466214-127	127
ZB105/466214-129	129
ZB106/466214-181	181
ZB107/466214-183	183
ZB108/466214-186	186
ZB109/466214-187	187
ZB110/466214-189	189

Canvas - Maharam

55" wide	
90% wool	
10% nylon	
ZC501/466185-114	114 *
ZC502/466185-124	124
ZC503/466185-134	134
ZC504/466185-154	154
ZC505/466185-174	174
ZC506/466185-224	224 *
ZC507/466185-244	244
ZC508/466185-254	254
ZC509/466185-264	264
ZC510/466185-364	364
ZC511/466185-374	374
ZC512/466185-414	414 *
ZC513/466185-424	424
ZC514/466185-454	454
ZC515/466185-614	614 *
ZC516/466185-644	644
ZC517/466185-654	654
ZC518/466185-674	674
ZC519/466185-684	684
ZC520/466185-694	694
ZC521/466185-734	734
ZC522/466185-764	764
ZC523/466185-794	794
ZC524/466185-854	854
ZC525/466185-954	954
ZC526/466185-964	964
ZC527/466185-974	974
ZC528/466185-984	984
ZC529/466185-216	216
ZC530/466185-356	356
ZC531/466185-446	446
ZC532/466185-546	546
ZC533/466185-556	556
ZC534/466185-566	566
ZC535/466185-576	576

* Color not available on Eames Upholstered Molded Plywood Chairs and Sofa Compact.

Canvas - Maharam continued

ZC536/466185-666	666
ZC537/466185-716	716
ZC538/466185-726	726
ZC539/466185-746	746
ZC540/466185-786	786
ZC541/466185-836	836
ZC542/466185-926	926
ZC543/466185-936	936
ZC544/466185-946	946
ZC545/466185-996	996

* Color not available on Eames Upholstered Molded Plywood Chairs and Sofa Compact.

Chance - Maharam

54" wide	
62% cotton	
33% polyester	
5% rayon	
V9C1/464010-001	Harvest
V9C4/464010-004	Pond
V9C5/464010-005	Pencil
V9C6/464010-006	Bison

Circuit - Maharam

54" wide	
38% rayon	
34% post-industrial recycled polyester	
28% post-consumer recycled polyester	
ZCU07/466089-007	Radar

Coincide High Performance- Maharam

54" wide	
100% polyester	
ZCF02/466132-002	Drizzle
ZCF03/466132-003	Cicada
ZCF04/466132-004	Bungalow
ZCF11/466132-011	Acre

Colline - Maharam

55" wide	
75% wool	
17% acrylic	
8% nylon	
ZCQ01/466155-108	108 *
ZCQ02/466155-118	118
ZCQ03/466155-148	148
ZCQ04/466155-188	188
ZCQ05/466155-228	228
ZCQ06/466155-348	348
ZCQ07/466155-448	448
ZCQ08/466155-548	548
ZCQ09/466155-568	568
ZCQ10/466155-668	668
ZCQ11/466155-688	688
ZCQ12/466155-788	788

* Color not available on Striad Lounge Chair and Ottoman.

Compound - Maharam

54" wide	
100% polyurethane with silane-based antimicrobial	
ZC201/466196-001	Quartz
ZC202/466196-002	Mirage
ZC203/466196-003	Weathered
ZC204/466196-004	Cliff
ZC205/466196-005	Espresso
ZC206/466196-006	Smolder
ZC207/466196-007	Blaze
ZC208/466196-008	Mandarin
ZC209/466196-009	Maple
ZC210/466196-010	Perennial
ZC211/466196-011	Mountainside
ZC212/466196-012	Tundra
ZC213/466196-013	Manatee
ZC214/466196-014	Marine
ZC215/466196-015	Twilight
ZC216/466196-016	Shelter
ZC217/466196-017	Vessel
ZC218/466196-018	Smoke
ZC219/466196-019	Fog

Price category G continued on next page

- Maharam textiles are on assigned lead times [A].
- Fabric numbers are listed as Herman Miller fabric number/Maharam fabric number.

Maharam Textile Colors – Collection Seating

continued

Price Category G

continued

Appendix: Maharam Textile Colors – Collection Seating

Crew - Maharam	
54" wide	
100% polyester	
ZCZ01/466149-001	Guide
ZCZ02/466149-002	Pike
ZCZ03/466149-003	Dock
ZCZ04/466149-004	Topiary
ZCZ05/466149-005	Hosta
ZCZ06/466149-006	Cork
ZCZ07/466149-007	Cinnamon
ZCZ08/466149-008	Stern
ZCZ09/466149-009	Soak
ZCZ10/466149-010	Jam

Dart - Maharam	
54" wide	
63% polyester	
37% cotton	
T104/464040-004	Bartlett
T106/464040-006	Beeswax
T114/464040-014	Cajole
T116/464040-016	Nightshade
T117/464040-017	Scribe
T118/464040-018	Shale
T120/464040-020	Ardor
T122/464040-022	Maize
T123/464040-023	Wade
T124/464040-024	Flood

Decode – Maharam	
54" wide	
50% solution-dyed nylon	
50% solution-dyed post-industrial recycled nylon	
VA06/464800-006	006
VA07/464800-007	007
VA17/464800-017	017

Disperse - Maharam	
53" wide	
100% post-consumer recycled polyester	
ZDP02/466017-002	Sky
ZDP03/466017-003	Chalk
ZDP05/466017-005	Lime
ZDP06/466017-006	Mediterranean
ZDP07/466017-007	Cornflower
ZDP09/466017-009	Ember
ZDP10/466017-010	Carnelian
ZDP13/466017-013	Midnight

Divina Melange – Maharam	
59" wide	
100% wool	
TG01/460830-120	120
TG02/460830-170	170
TG03/460830-180	180
TG05/460830-260	260
TG06/460830-280	280
TG07/460830-871	871
TG08/460830-821	821
TG11/460830-731	731
TG12/460830-681	681
TG13/460830-631	631
TG16/460830-581	581
TG17/460830-531	531
TG18/460830-521	521
TG19/460830-571	571
TG21/460830-471	471
TG24/460830-971	971
TG25/460830-920	920
TG26/460830-620	620
TG27/460830-147	147
TG28/460830-227	227
TG29/460830-237	237
TG30/460830-277	277
TG31/460830-367	367
TG32/460830-427	427
TG33/460830-457	457
TG34/460830-467	467
TG35/460830-517	517
TG36/460830-527	527
TG37/460830-547	547

Divina Melange continued	
TG38/460830-557	557
TG39/460830-567	567
TG40/460830-597	597
TG41/460830-617	617
TG42/460830-647	647
TG43/460830-677	677
TG44/460830-687	687
TG45/460830-747	747
TG46/460830-757	757
TG47/460830-777	777
TG48/460830-787	787
TG49/460830-917	917
TG50/460830-937	937
TG51/460830-967	967
TG52/460830-977	977

Drape - Maharam	
54" wide	
100% vinyl	
ZDE01/466145-001	Chalk
ZDE04/466145-004	Cog
ZDE05/466145-005	Alert
ZDE08/466145-008	Carrier
ZDE10/466145-010	Cargo

Floret - Maharam	
54" wide	
100% polyester	
ZFE03/464070-003	Cedar
ZFE06/464070-006	Offshore
ZFE08/464070-008	Arabica
ZFE09/464070-009	Midnight

Fluent Crypton - Maharam	
54" wide	
52% polyester	
31% post-industrial recycled polyester	
17% post-consumer recycled polyester	
ZFC01/466073-001	Lynx
ZFC02/466073-002	Burlap
ZFC04/466073-004	Rum
ZFC08/466073-008	Bittersweet

Fluent Crypton continued	
ZFC09/466073-009	Mulch
ZFC12/466073-012	Bayou
ZFC13/466073-013	Bottle
ZFC14/466073-014	Cadet
ZFC15/466073-015	Formal
ZFC16/466073-016	Gentle
ZFC17/466073-017	Cub
ZFC18/466073-018	Patch
ZFC19/466073-019	Bounce
ZFC20/466073-020	Aubergine
ZFC21/466073-021	Bedrock
ZFC22/466073-022	Turf
ZFC23/466073-023	Cobalt
ZFC24/466073-024	Steady

Kindred - Maharam	
54" wide	
90% polyester	
10% rayon	
ZKN01/466166-001	Mason
ZKN02/466166-002	Cove
ZKN03/466166-003	Fresh
ZKN04/466166-004	Glen
ZKN05/466166-005	Heirloom
ZKN06/466166-006	Chestnut
ZKN07/466166-007	Chiminea

Mimic - Maharam	
54" wide	
100% polyurethane with silane-based antimicrobial	
ZMM01/466136-001	Cloud *
ZMM02/466136-002	Enamel
ZMM03/466136-003	Almond
ZMM04/466136-004	Cement
ZMM05/466136-005	Clay

* Color not available on Eames Aluminum Group, Executive Chairs, Upholstered Molded Plywood Chairs, and Sofa Compact.

Price category G continued on next page

- Maharam textiles are on assigned lead times [A](#).
- Fabric numbers are listed as Herman Miller fabric number/Maharam fabric number.

Maharam Textile Colors – Collection Seating

continued

Price Category G

continued

Mimic continued

ZMM06/466136-006 Suntan
ZMM07/466136-007 Totem
ZMM08/466136-008 Castanet
ZMM09/466136-009 Panther
ZMM10/466136-010 Umbra
ZMM11/466136-011 Ultramarine
ZMM12/466136-012 Reservoir
ZMM13/466136-013 Iguana
ZMM14/466136-014 Goldenrod
ZMM15/466136-015 Chutney
ZMM16/466136-016 Laser

Pare – Maharam

54" wide
52% wool
26% polyester
22% nylon
PFOA-free stain resistant finish
ZPR01/466359-001 Polaris
ZPR02/466359-002 Mountain
ZPR03/466359-003 Mineral
ZPR04/466359-004 Fresco
ZPR05/466359-005 Blossom
ZPR06/466359-006 Wink
ZPR07/466359-007 Concord
ZPR08/466359-008 Strawberry
ZPR09/466359-009 Solar
ZPR10/466359-010 Amulet
ZPR11/466359-011 Zest
ZPR12/466359-012 Elmwood
ZPR13/466359-013 Thyme
ZPR14/466359-014 Frost
ZPR15/466359-015 Oasis
ZPR16/466359-016 Denim
ZPR17/466359-017 Blueberry

Paver - Maharam

54" wide
100% solution-dyed polyolefin with silver-based antimicrobial
ZPV02/466111-002 Billow
ZPV12/466111-012 Channel
ZPV13/466111-013 Pontoon

Remix – Maharam

54" wide
90% wool
10% nylon
V2601/465956-113 113
V2602/465956-123 123
V2603/465956-133 133
V2604/465956-143 143
V2605/465956-152 152
V2606/465956-163 163
V2607/465956-173 173
V2608/465956-183 183
V2609/465956-223 223
V2610/465956-233 233
V2611/465956-242 242
V2612/465956-252 252
V2613/465956-362 362
V2614/465956-373 373
V2615/465956-383 383
V2616/465956-393 393
V2617/465956-412 412
V2618/465956-422 422
V2619/465956-433 433
V2620/465956-443 443
V2621/465956-452 452
V2622/465956-543 543
V2623/465956-612 612
V2624/465956-632 632
V2625/465956-643 643
V2626/465956-653 653
V2627/465956-662 662
V2628/465956-672 672
V2629/465956-682 682
V2630/465956-692 692
V2631/465956-722 722
V2632/465956-733 733
V2633/465956-743 743
V2634/465956-753 753
V2635/465956-762 762
V2636/465956-773 773
V2637/465956-783 783
V2638/465956-823 823
V2639/465956-842 842
V2640/465956-852 852

Remix continued

V2641/465956-873 873
V2642/465956-912 912
V2643/465956-923 923
V2644/465956-933 933
V2645/465956-942 942
V2646/465956-962 962
V2647/465956-973 973
V2648/465956-982 982
V2649/465956-954 954

Runner - Maharam

54" wide
57% post-industrial recycled polyester
43% post-consumer recycled polyester
ZRF01/466108-001 Bluff
ZRF02/466108-002 Arid
ZRF03/466108-003 Grove
ZRF04/466108-004 Starboard
ZRF05/466108-005 Plot
ZRF06/466108-006 Carousel

Sequence - Maharam

54" wide
100% solution-dyed polyolefin with silver-based antimicrobial
Z3101/466179-001 Driftwood
Z3102/466179-002 Boardwalk
Z3104/466179-004 Alfresco
Z3105/466179-005 Plunge
Z3106/466179-006 Starboard
Z3107/466179-007 Veranda
Z3108/466179-008 Lodge
Z3109/466179-009 Flare

Steady Crypton - Maharam

54" wide
46% polyester
35% post-industrial recycled polyester
19% post-consumer recycled polyester
V9E1/465946-001 Cameo
V9E2/465946-002 Drift
V9E4/465946-004 Bison
V9E5/465946-005 Thrive
V9E6/465946-006 Estuary
V9E7/465946-007 Aegean
V9EB/465946-011 Rhubarb
V9EC/465946-012 Brick

Steelcut – Maharam

55" wide
90% wool
10% nylon
ZSE01/464470-110 110 *
ZSE02/464470-120 120
ZSE03/464470-135 135
ZSE04/464470-140 140
ZSE05/464470-155 155
ZSE06/464470-160 160
ZSE07/464470-180 180
ZSE08/464470-190 190
ZSE09/464470-220 220
ZSE10/464470-240 240
ZSE11/464470-255 255
ZSE12/464470-265 265
ZSE13/464470-365 365
ZSE14/464470-370 370
ZSE15/464470-380 380
ZSE16/464470-435 435
ZSE17/464470-445 445 *
ZSE18/464470-535 535
ZSE19/464470-545 545
ZSE20/464470-550 550
ZSE21/464470-605 605
ZSE22/464470-615 615
ZSE23/464470-625 625
ZSE24/464470-635 635
ZSE25/464470-655 655

- Maharam textiles are on assigned lead times ^A.
- Fabric numbers are listed as Herman Miller fabric number/Maharam fabric number.

Price category G continued on next page

Maharam Textile Colors – Collection Seating

continued

Price Category G

continued

Steelcut continued	
ZSE26/464470-660	660
ZSE27/464470-685	685
ZSE28/464470-695	695
ZSE29/464470-760	760
ZSE30/464470-775	775
ZSE31/464470-780	780
ZSE32/464470-820	820
ZSE33/464470-835	835
ZSE34/464470-935	935
ZSE35/464470-950	950
ZSE36/464470-975	975
ZSE37/464470-985	985

* Color not available on Eames Executive Chairs, Upholstered Molded Plywood Chairs, and Sofa Compact.

Steelcut Trio – Maharam	
55" wide	
90% wool	
10% nylon	
V2501/465906-105	105 * **
V2502/465906-113	113
V2503/465906-124	124
V2504/465906-133	133 *
V2506/465906-153	153
V2507/465906-195	195
V2508/465906-205	205 **
V2509/465906-213	213 *
V2513/465906-253	253
V2514/465906-283	283
V2518/465906-383	383
V2523/465906-453	453
V2525/465906-515	515 *
V2526/465906-533	533
V2527/465906-553	553 *
V2529/465906-645	645

Steelcut Trio continued	
V2534/465906-713	713
V2542/465906-865	865
V2543/465906-883	883
V2544/465906-915	915 *
V2545/465906-933	933
V2546/465906-945	945
V2547/465906-953	953
V2548/465906-965	965
V2549/465906-983	983
V2550/465906-176	176
V2551/465906-226	226
V2552/465906-236	236
V2553/465906-246	246
V2554/465906-266	266
V2555/465906-276	276
V2556/465906-336	336
V2557/465906-376	376
V2558/465906-416	416
V2559/465906-426	426
V2560/465906-436	436
V2561/465906-446	446
V2562/465906-466	466
V2563/465906-476	476
V2564/465906-506	506
V2565/465906-526	526
V2566/465906-576	576
V2567/465906-616	616
V2568/465906-636	636
V2569/465906-666	666
V2570/465906-686	686
V2571/465906-716	716
V2572/465906-746	746
V2573/465906-756	756
V2574/465906-776	776
V2575/465906-796	796
V2576/465906-806	806
V2577/465906-906	906

Steelcut Trio continued	
V2578/465906-916	916
V2579/465906-946	946
V2580/465906-966	966
V2581/465906-976	976
V2582/465906-996	996

* Colors available on Bevel Sofa and Bolster Sofa.

** Colors not available on Eames Molded Fiberglass Chairs Upholstered Seat Pad, Eames Molded Plastic Chairs Upholstered Seat Pad, and Eames Wire Chair Upholstered Seat Pad.

Sudden – Maharam	
54" wide	
100% polyurethane	
ZSD02/463000-002	002
ZSD03/463000-003	003
ZSD05/463000-005	005
ZSD06/463000-006	006
ZSD07/463000-007	007
ZSD08/463000-008	008
ZSD09/463000-009	009
ZSD10/463000-010	010
ZSD11/463000-011	011
ZSD13/463000-013	013
ZSD15/463000-015	015
ZSD16/463000-016	016
ZSD17/463000-017	017
ZSD18/463000-018	018
ZSD19/463000-019	019
ZSD20/463000-020	020
ZSD24/463000-024	024
ZSD27/463000-027	027
ZSD29/463000-029	029
ZSD30/463000-030	030
ZSD36/463000-036	036

Tilt - Maharam	
55" wide	
56% cotton	
35% polyester	
9% rayon	
ZTT01/466256-001	001
ZTT02/466256-002	002
ZTT03/466256-003	003
ZTT04/466256-004	004
ZTT05/466256-005	005
ZTT06/466256-006	006
ZTT07/466256-007	007
ZTT08/466256-008	008

Tonica – Maharam	
55" wide	
100% wool	
ZTC01/460850-111	111
ZTC03/460850-132	132
ZTC04/460850-171	171
ZTC05/460850-182	182
ZTC06/460850-192	192
ZTC10/460850-411	411
ZTC12/460850-511	511
ZTC14/460850-531	531
ZTC16/460850-611	611
ZTC17/460850-612	612
ZTC21/460850-672	672
ZTC23/460850-732	732
ZTC32/460850-831	831
ZTC33/460850-832	832
ZTC35/460850-962	962
ZTC36/460850-123	123
ZTC37/460850-223	223
ZTC38/460850-233	233
ZTC39/460850-353	353
ZTC40/460850-383	383
ZTC41/460850-443	443
ZTC42/460850-523	523
ZTC43/460850-533	533
ZTC44/460850-543	543

Price category G continued on next page

- Maharam textiles are on assigned lead times **A**.
- Fabric numbers are listed as Herman Miller fabric number/Maharam fabric number.

Maharam Textile Colors — Collection Seating

continued

Price Category G

continued

Tonica continued

ZTC45/460850-613	613
ZTC46/460850-623	623
ZTC47/460850-633	633
ZTC48/460850-643	643
ZTC49/460850-693	693
ZTC50/460850-713	713
ZTC51/460850-723	723
ZTC52/460850-733	733
ZTC53/460850-743	743
ZTC54/460850-763	763
ZTC55/460850-773	773
ZTC56/460850-813	813
ZTC57/460850-873	873
ZTC58/460850-923	923
ZTC59/460850-933	933

Urban - Maharam

54" wide	
90% polyester	
10% rayon	
ZUR01/466079-001	Sketch
ZUR02/466079-002	Minnow
ZUR03/466079-003	Cremini
ZUR05/466079-005	Hearth
ZUR06/466079-006	Pool
ZUR07/466079-007	Marsh

Vestige - Maharam

54" wide	
71% polyester	
29% rayon	
ZVT01/466259-001	001
ZVT02/466259-002	002
ZVT03/466259-003	003
ZVT04/466259-004	004
ZVT05/466259-005	005
ZVT06/466259-006	006
ZVT07/466259-007	007
ZVT08/466259-008	008
ZVT09/466259-009	009
ZVT10/466259-010	010

Price Category H

Abacus - Maharam

54" wide	
54% post-industrial recycled polyester	
46% post-consumer recycled polyester	
ZAC01/466118-001	Replica *
ZAC02/466118-002	Canoe
ZAC03/466118-003	Cellar
ZAC04/466118-004	Restore
ZAC05/466118-005	Sprig
ZAC06/466118-006	Distill
ZAC07/466118-007	Festive
ZAC08/466118-008	Extract
ZAC09/466118-009	Silhouette

* Color not available on Eames Executive Chairs, Upholstered Molded Plywood Chairs, and Sofa Compact.

Anagram - Maharam

54" wide	
42% cotton	
32% polyester	
26% nylon	
ZAN01/466067-001	Quarry
ZAN02/466067-002	Hush
ZAN03/466067-003	Electric
ZAN04/466067-004	Range
ZAN05/466067-005	Settle

Beam - Maharam

54" wide	
58% polyester	
42% rayon	
ZBM07/466119-007	Brook
ZBM10/466119-010	Simmer

Blip - Maharam

54" wide	
44% rayon	
24% nylon	
21% post-industrial recycled polyester	
11% post-consumer recycled polyester	
ZBG01/466129-001	Miner
ZBG04/466129-004	Tank
ZBG05/466129-005	Cove
ZBG06/466129-006	Coal
ZBG07/466129-007	Robust
ZBG08/466129-008	Siege

Chenille Cord - Maharam

54" wide	
43% solution-dyed post-industrial recycled nylon	
42% solution-dyed nylon	
13% polyester	
2% polyolefin	
ZCC04/407808-004	004
ZCC06/407808-006	006
ZCC10/407808-010	010
ZCC18/407808-018	018
ZCC30/407808-030	030

Circles — Maharam

55" wide	
70% cotton	
30% polyester	
ZT01/458310-001	Khaki
ZT02/458310-002	Fatigue
ZT03/458310-003	Document
ZT04/458310-004	Engine

Crosspatch — Maharam

54" wide	
75% rayon	
25% polyester	
ZS01/458920-001	Song
ZS04/458920-004	Document

Ditto — Maharam

54" wide	
77% post-industrial recycled polyester	
23% solution-dyed nylon	
Z2D1/465993-001	Nacre
Z2D2/465993-002	Shadow
Z2D3/465993-003	Saddle
Z2D9/465993-009	Fern
Z2DA/465993-010	Fountain
Z2DC/465993-012	Iron

Divina - Maharam

59" wide	
100% wool	
TF01/460730-154	154
TF03/460730-171	171
TF04/460730-173	173
TF05/460730-181	181
TF06/460730-191	191
TF08/460730-224	224
TF10/460730-334	334
TF13/460730-384	384
TF14/460730-393	393
TF16/460730-444	444
TF17/460730-462	462
TF18/460730-542	542
TF19/460730-552	552
TF20/460730-562	562
TF22/460730-584	584
TF23/460730-623	623
TF25/460730-652	652
TF26/460730-662	662
TF27/460730-671	671
TF29/460730-684	684
TF30/460730-691	691
TF31/460730-692	692
TF33/460730-712	712
TF37/460730-742	742
TF41/460730-782	782
TF42/460730-791	791
TF43/460730-793	793
TF47/460730-893	893

Appendix: Maharam Textile Colors — Collection Seating

Price category H continued on next page

- Maharam textiles are on assigned lead times [A](#).
- Fabric numbers are listed as Herman Miller fabric number/Maharam fabric number.

Maharam Textile Colors – Collection Seating

continued

Price Category H

continued

Divina continued	
TF49/460730-922	922
TF51/460730-944	944
TF53/460730-984	984
TF55/460730-106	106
TF56/460730-236	236
TF57/460730-246	246
TF58/460730-346	346
TF59/460730-356	356
TF60/460730-376	376
TF61/460730-426	426
TF62/460730-526	526
TF63/460730-536	536
TF64/460730-626	626
TF65/460730-636	636
TF66/460730-666	666
TF67/460730-676	676
TF68/460730-686	686
TF69/460730-696	696
TF70/460730-756	756
TF71/460730-826	826
TF72/460730-836	836
TF73/460730-846	846
TF74/460730-856	856
TF75/460730-876	876
TF76/460730-886	886
TF77/460730-936	936
TF78/460730-956	956
TF79/460730-966	966

Divina MD - Maharam	
59" wide	
100% wool	
Z2301/466150-193	193
Z2302/466150-203	203
Z2303/466150-213	213
Z2304/466150-293	293
Z2305/466150-343	343
Z2306/466150-353	353
Z2307/466150-363	363
Z2308/466150-413	413
Z2309/466150-433	433
Z2310/466150-453	453
Z2311/466150-613	613
Z2312/466150-633	633

Divina MD continued	
Z2313/466150-653	653
Z2314/466150-673	673
Z2315/466150-683	683
Z2316/466150-713	713
Z2317/466150-733	733
Z2318/466150-743	743
Z2319/466150-753	753
Z2320/466150-773	773
Z2321/466150-783	783
Z2322/466150-813	813
Z2323/466150-843	843
Z2324/466150-873	873
Z2325/466150-913	913
Z2326/466150-943	943
Z2327/466150-973	973

Dot Pattern – Maharam	
55" wide	
71% cotton	
29% polyester	
ZK01/458300-001	Document
ZK02/458300-002	Taupe
ZK04/458300-004	Red
ZK05/458300-005	Navy

Fasten – Maharam	
54" wide	
39% cotton	
39% rayon	
22% solution-dyed nylon	
ZFN05/466053-005	Canyon
ZFN08/466053-008	Monsoon

Hallingdal - Maharam	
51" wide	
70% wool	
30% rayon	
Z2401/460760-100	100 *
Z2402/460760-103	103
Z2403/460760-110	110 *
Z2404/460760-113	113
Z2405/460760-116	116
Z2406/460760-123	123
Z2407/460760-126	126
Z2408/460760-130	130
Z2409/460760-143	143 *
Z2410/460760-153	153 *
Z2411/460760-166	166 *
Z2412/460760-173	173
Z2413/460760-180	180 *
Z2414/460760-190	190
Z2415/460760-200	200
Z2416/460760-220	220 *
Z2417/460760-224	224
Z2418/460760-227	227
Z2419/460760-270	270
Z2420/460760-350	350 *
Z2421/460760-368	368 *
Z2422/460760-370	370
Z2423/460760-376	376
Z2424/460760-390	390
Z2425/460760-407	407
Z2426/460760-420	420
Z2427/460760-457	457
Z2428/460760-526	526
Z2429/460760-547	547
Z2430/460760-563	563
Z2431/460760-573	573
Z2432/460760-590	590 *
Z2433/460760-596	596
Z2434/460760-600	600 *
Z2435/460760-657	657
Z2436/460760-660	660
Z2437/460760-674	674
Z2438/460760-680	680

Hallingdal continued	
Z2439/460760-687	687
Z2440/460760-694	694
Z2441/460760-702	702
Z2442/460760-723	723
Z2443/460760-733	733
Z2444/460760-750	750
Z2445/460760-753	753
Z2446/460760-754	754
Z2447/460760-763	763
Z2448/460760-764	764 *
Z2449/460760-773	773
Z2450/460760-810	810 *
Z2451/460760-840	840 *
Z2452/460760-850	850
Z2453/460760-890	890
Z2454/460760-907	907
Z2455/460760-944	944
Z2456/460760-960	960
Z2457/460760-968	968
Z2458/460760-980	980
Z2490 Light Blue	100/110/840 **
Z2491 Dark Blue	126/754/764 **
Z2492 Red	674/687/694 **
Z2493 Orange	526/600/680 **

* Colors available on Bevel Sofa and Bolster Sofa.
 ** Colors available only on Girard Color Wheel Ottoman. Refer to HermanMiller Collection Price Book.

Price category H continued on next page

• Maharam textiles are on assigned lead times [A](#).
 • Fabric numbers are listed as Herman Miller fabric number/Maharam fabric number.

Maharam Textile Colors — Collection Seating

continued

Price Category H

continued

Mechanism – Maharam	
54" wide	
100% polyester	
ZMC01/465952-001	Mercury
ZMC03/465952-003	Frenzy
ZMC10/465952-010	Pearl
ZMC11/465952-011	Bronze
ZMC13/465952-013	Titanium
ZMC14/465952-014	Smoke
ZMC15/465952-015	Tangerine
ZMC16/465952-016	Glow
ZMC17/465952-017	Sprout
ZMC18/465952-018	Aqua
ZMC19/465952-019	Sapphire

Mister – Maharam	
54" wide	
67% solution-dyed acrylic	
33% solution-dyed polyester	
ZMG01/466178-001	Breeze
ZMG02/466178-002	Meander
ZMG03/466178-003	Cricket
ZMG04/466178-004	Enliven
ZMG05/466178-005	Notice
ZMG06/466178-006	Azurite

Octave – Maharam	
54" wide	
65% solution-dyed acrylic	
35% solution-dyed polyester	
ZQT01/466116-001	Crisp
ZQT02/466116-002	Froth
ZQT03/466116-003	Beacon
ZQT04/466116-004	Ignite
ZQT06/466116-006	Theater
ZQT07/466116-007	Scenery
ZQT08/466116-008	Elope
ZQT09/466116-009	Spry
ZQT11/466116-011	Navigate

Offset – Maharam	
54" wide	
40% cotton	
36% nylon	
24% wool	
ZQF01/465951-001	Passage
ZQF02/465951-002	Fieldstone
ZQF03/465951-003	Coast
ZQF04/465951-004	Esplanade
ZQF05/465951-005	Oasis
ZQF06/465951-006	Spice
ZQF07/465951-007	Bloom

Regatta – Maharam	
54" wide	
65% solution-dyed acrylic	
35% solution-dyed polyester	
ZRT01/466189-001	Drift
ZRT02/466189-002	Parasol
ZRT03/466189-003	Shoreline
ZRT04/466189-004	Swell
ZRT05/466189-005	Cliff

Rule – Maharam	
54" wide	
67% solution-dyed acrylic	
33% solution-dyed polyester	
ZRU02/466190-002	Sail
ZRU03/466190-003	Refresh
ZRU04/466190-004	Spring
ZRU05/466190-005	Burst
ZRU06/466190-006	Pepper
ZRU07/466190-007	Dock
ZRU08/466190-008	Night sky

Salon – Maharam	
54" wide	
92% wool	
8% nylon	
ZSL06/458670-006	Shade
ZSL09/458670-009	Brazen
ZSL11/458670-011	Tempest
ZSL16/458670-016	Spruce
ZSL18/458670-018	Island
ZSL21/458670-021	Fog
ZSL22/458670-022	Fieldstone
ZSL23/458670-023	Mulberry
ZSL24/458670-024	Terracotta

Small Dot Pattern — Maharam	
55" wide	
71% cotton	
29% polyester	
ZL01/458320-001	Document
ZL02/458320-002	Sand
ZL03/458320-003	Khaki
ZL04/458320-004	Taupe
ZL05/458320-005	Charcoal
ZL06/458320-006	Document
	Reverse
ZL07/458320-007	Red
ZL08/458320-008	Yellow
ZL09/458320-009	Green

Star - Maharam	
55" wide	
100% trevira cs polyester	
ZST01/465966-117	117 *
ZST03/465966-177	177
ZST04/465966-197	197
ZST05/465966-237	237
ZST07/465966-357	357
ZST08/465966-367	367
ZST13/465966-547	547
ZST17/465966-667	667
ZST18/465966-687	687
ZST21/465966-757	757
ZST23/465966-787	787
ZST26/465966-947	947
ZST28/465966-222	222
ZST29/465966-442	442
ZST30/465966-452	452
ZST31/465966-622	622
ZST32/465966-642	642
ZST33/465966-692	692
ZST34/465966-742	742
ZST35/465966-932	932

* Color not available on Eames Sofa Compact.

Price category H continued on next page

- Maharam textiles are on assigned lead times A.
- Fabric numbers are listed as Herman Miller fabric number/Maharam fabric number.

Maharam Textile Colors – Collection Seating

continued

Price Category H

continued

Tonus - Maharam	
51" wide	
90% wool	
10% helanka	
ZTN01/460800-100	100
ZTN03/460800-109	109
ZTN05/460800-118	118
ZTN10/460800-125	125
ZTN13/460800-128	128
ZTN14/460800-129	129
ZTN15/460800-130	130
ZTN16/460800-131	131
ZTN17/460800-132	132
ZTN19/460800-135	135
ZTN21/460800-207	207
ZTN23/460800-210	210
ZTN26/460800-216	216
ZTN27/460800-240	240
ZTN29/460800-440	440
ZTN32/460800-508	508
ZTN34/460800-605	605
ZTN35/460800-608	608
ZTN36/460800-609	609
ZTN37/460800-610	610
ZTN38/460800-613	613
ZTN40/460800-615	615
ZTN41/460800-619	619
ZTN51/460800-631	631

Tonus continued	
ZTN54/460800-634	634
ZTN56/460800-636	636
ZTN59/460800-690	690
ZTN62/460800-840	840
ZTN63/460800-940	940
ZTN65/460800-224	224
ZTN66/460800-244	244
ZTN67/460800-364	364
ZTN68/460800-374	374
ZTN69/460800-394	394
ZTN70/460800-424	424
ZTN71/460800-454	454
ZTN72/460800-464	464
ZTN73/460800-474	474
ZTN74/460800-554	554
ZTN75/460800-654	654
ZTN76/460800-664	664
ZTN77/460800-684	684
ZTN78/460800-754	754
ZTN79/460800-764	764
ZTN80/460800-854	854
ZTN81/460800-914	914
ZTN82/460800-934	934
ZTN83/460800-954	954
ZTN84/460800-964	964
ZTN85/460800-974	974

Price Category I

Colorwheel – Maharam	
54" wide	
62% cotton	
38% solution-dyed	
post-industrial recycled nylon	
ZCW02/466163-002 Pumice	
ZCW03/466163-003 Viridian	
ZCW06/466163-006 Charcoal	
ZCW07/466163-007 Carbon	

Cursive – Maharam	
54" wide	
67% solution-dyed acrylic	
33% solution-dyed polyester	
PFOA-Free stain resistant	
7CW01/466335-001 Fast	
7CW02/466335-002 Hunt	
7CW03/466335-003 Beachcomb	
7CW04/466335-004 Twist	
7CW05/466335-005 Swift	
7CW06/466335-006 Jetstream	
7CW07/466335-007 Inkwell	
7CW08/466335-008 Rubber	

Garden – Maharam	
54" wide	
39% solution-dyed	
post-industrial recycled nylon	
31% rayon	
30% cotton	
ZGN01/466134-001 Oat/Shell	
ZGN03/466134-003 Pumice/Cay	
ZGN04/466134-004 Fir/Moss	
ZGN06/466134-006 Iron/Mineral	
ZGN07/466134-007 Raven/Graphite	

Highfield - Maharam	
55" wide	
100% trevira cs polyester	
ZKF01/465957-141	141
ZKF02/465957-181	181
ZKF03/465957-191	191
ZKF04/465957-214	214
ZKF05/465957-231	231
ZKF06/465957-241	241
ZKF07/465957-371	371
ZKF08/465957-444	444
ZKF09/465957-454	454
ZKF10/465957-634	634
ZKF11/465957-651	651
ZKF12/465957-674	674
ZKF13/465957-724	724
ZKF14/465957-734	734
ZKF15/465957-744	744
ZKF16/465957-781	781
ZKF17/465957-834	834
ZKF18/465957-864	864

Study - Maharam	
54" wide	
73% solution-dyed acrylic	
27% solution-dyed polyester	
ZSY01/466269-001	001
ZSY02/466269-002	002
ZSY03/466269-003	003
ZSY04/466269-004	004
ZSY05/466269-005	005

Price category I continued on next page

- Maharam textiles are on assigned lead times [A](#).
- Fabric numbers are listed as Herman Miller fabric number/Maharam fabric number.

Maharam Textile Colors — Collection Seating

continued

Price Category I

continued

Tracery – Maharam

52" wide
 34% solution-dyed nylon
 26% wool
 21% polyester
 19% cotton
 acrylic backing
 PFOA-free stain resistant finish
 ZT501/466372-001 Birch
 ZT502/466372-002 Sterling
 ZT503/466372-003 Flint
 ZT504/466372-004 Indigo
 ZT505/466372-005 Arctic
 ZT506/466372-006 Kelp
 ZT507/466372-007 Melon
 ZT508/466372-008 Poppy
 ZT509/466372-009 Copper
 ZT510/466372-010 Papaya
 ZT511/466372-011 Sepia

Vases – Maharam

54" wide
 62% cotton
 38% solution dyed
 post-industrial recycled nylon
 ZVS01/466164-001 Berry
 ZVS02/466164-002 Citrus
 ZVS03/466164-003 Sprout
 ZVS04/466164-004 Goldenrod

Vineyard – Maharam

54" wide
 39% solution-dyed
 post-industrial recycled nylon
 31% rayon
 30% cotton
 ZVY01/466133-001 Taro
 ZVY02/466133-002 Arbor
 ZVY03/466133-003 Cay
 ZVY04/466133-004 Smoke
 ZVY07/466133-007 Mahogany
 ZVY08/466133-008 Pitch

Voyage – Maharam

54" wide
 100% wool
 ZVG05/456801-005 Maize
 ZVG12/456801-012 Stone
 ZVG25/456801-025 Briar
 ZVG26/456801-026 Harvest
 ZVG27/456801-027 Currant
 ZVG28/456801-028 Twilight
 ZVG30/456801-030 Lake
 ZVG33/456801-033 Clover
 ZVG34/456801-034 Thicket
 ZVG36/456801-036 Chinchilla
 ZVG37/456801-037 Parcel

Price Category J

Coach Cloth – Maharam

54" wide
 100% wool
 ZCL08/458950-008 Dusk
 ZCL09/458950-009 Mars
 ZCL15/458950-015 Savile
 ZCL19/458950-019 Graphite
 ZCL20/458950-020 Bittersweet

Design 9297 – Maharam

55" wide
 51% cotton
 45% rayon
 4% polyester
 ZDD02/465230-002 Olive
 ZDD03/465230-003 Lake
 ZDD04/465230-004 Ocher
 ZDD05/465230-005 Scarlet
 ZDD06/465230-006 Magenta
 ZDD07/465230-007 Peacock
 ZDD08/465230-008 Umbra

Fluted Silk – Maharam

54" wide
 85% silk
 8% cotton
 7% acrylic
 ZFK02/465982-002 Tarnish
 ZFK04/465982-004 Virtue
 ZFK05/465982-005 Calm
 ZFK06/465982-006 Flaxen
 ZFK08/465982-008 Merry
 ZFK10/465982-010 Noticed
 ZFK11/465982-011 Moody
 ZFK12/465982-012 Constant
 ZFK13/465982-013 Seed
 ZFK14/465982-014 Eternal
 ZFK15/465982-015 Honor
 ZFK16/465982-016 Winkle
 ZFK17/465982-017 Cranach
 ZFK19/465982-019 Faint
 ZFK20/465982-020 Discreet

Melange Tweed – Maharam

54" wide
 100% wool
 ZMT02/461190-002 Bramble
 ZMT03/461190-003 Tweed
 ZMT04/461190-004 Inca
 ZMT05/461190-005 Saffron
 ZMT06/461190-006 Summer

Mikado – Maharam

54" wide
 79% cotton
 21% polyester
 V1901/459330-001 Umber
 V1902/459330-002 Orange
 V1903/459330-003 Ultramarine
 V1904/459330-004 Pink
 V1905/459330-005 Sepia

Soft Tweed – Maharam

54" wide
 44% linen
 22% cotton
 20% acrylic
 8% bamboo viscose
 6% nylon
 ZSW01/466197-001 Sand
 ZSW03/466197-003 Gold
 ZSW05/466197-005 Steel
 ZSW06/466197-006 Crimson
 ZSW07/466197-007 Sepia

Tangram – Maharam

54" wide
 68% polyester
 32% cotton
 ZTG01/466084-001 Tusk
 ZTG03/466084-003 Lead
 ZTG04/466084-004 Resin

Price category J continued on next page

- Maharam textiles are on assigned lead times ^A.
- Fabric numbers are listed as Herman Miller fabric number/Maharam fabric number.

Maharam Textile Colors — Collection Seating

continued

Price Category J

continued

Telary – Maharam	
54" wide	
41% cotton	
33% post-consumer recycled polyester	
26% nylon	
ZTA03/466151-003	Pebble
ZTA04/466151-004	Heron
ZTA05/466151-005	Voyage
ZTA08/466151-008	Molasses

Transport – Maharam	
56" wide	
48% rayon	
32% polyester	
20% linen	
ZTB01/466176-001	Breaker
ZTB02/466176-002	Grain
ZTB05/466176-005	Avenue

Waterborn - Maharam	
55" wide	
85% polyester	
15% polyurethane	
ZWB01/466097-123	123
ZWB02/466097-133	133
ZWB03/466097-153	153
ZWB04/466097-163	163
ZWB05/466097-183	183
ZWB06/466097-193	193
ZWB07/466097-203	203
ZWB08/466097-213	213
ZWB09/466097-223	223
ZWB10/466097-233	233
ZWB11/466097-243	243
ZWB12/466097-343	343
ZWB13/466097-353	353
ZWB14/466097-363	363
ZWB15/466097-373	373
ZWB16/466097-383	383
ZWB17/466097-443	443
ZWB18/466097-453	453
ZWB19/466097-463	463
ZWB20/466097-523	523
ZWB21/466097-543	543
ZWB22/466097-583	583
ZWB23/466097-603	603
ZWB24/466097-653	653
ZWB25/466097-663	663
ZWB26/466097-673	673
ZWB27/466097-693	693
ZWB28/466097-723	723
ZWB29/466097-743	743
ZWB30/466097-753	753
ZWB31/466097-773	773
ZWB32/466097-783	783
ZWB33/466097-793	793
ZWB34/466097-853	853
ZWB35/466097-883	883
ZWB36/466097-923	923
ZWB37/466097-933	933
ZWB38/466097-953	953
ZWB39/466097-973	973

Wool Rib – Maharam	
53" wide	
38% cotton	
29% acrylic	
19% wool	
7% alpaca	
7% nylon	
ZWR01/466198-001	Oat
ZWR03/466198-003	Turquoise
ZWR05/466198-005	Vermilion
ZWR06/466198-006	Magenta
ZWR07/466198-007	Garnet

Price Category K

Carapace - Maharam	
54" wide	
37% cotton	
37% post-consumer recycled polyester	
26% solution-dyed nylon	
ZC601/466261-001	001
ZC602/466261-002	002
ZC603/466261-003	003
ZC604/466261-004	004
ZC605/466261-005	005
ZC606/466261-006	006
ZC607/466261-007	007

Checker – Maharam	
55" wide	
77% cotton	
23% polyester	
V1201/459830-001	Emerald Light/ Ivory
V1204/459830-004	Ultramarine/ Emerald
V1206/459830-007	Sienna Dark/ Khaki
V1207/459830-008	Black/White
V1209/459830-009	Ultramarine/ Turquoise
V1210/459830-010	Blue Gray/ Emerald
V1211/459830-011	Olive/Pink
V1212/459830-012	Magenta/ Orange
V1213/459830-013	Crimson/ Orange

Checker Split – Maharam	
55" wide	
77% cotton	
23% polyester	
V1301/460290-01	Black/White

Price category K continued on next page

- Maharam textiles are on assigned lead times [A](#).
- Fabric numbers are listed as Herman Miller fabric number/Maharam fabric number.

Maharam Textile Colors — Collection Seating

continued

Price Category K

continued

Dingbats – Maharam	
54" wide	
74% cotton	
26% nylon	
ZDB01/465994-001	Taupe
ZDB02/465994-002	Olive
ZDB03/465994-003	Indigo
ZDB04/465994-004	Earth
ZDB05/465994-005	Onyx

Double Triangles – Maharam	
55" wide	
77% cotton	
23% polyester	
V1401/459840-001	Black/White

Facets – Maharam	
55" wide	
77% cotton	
23% polyester	
V1501/459850-001	Black/White

Optik – Maharam	
55" wide	
76% cotton	
24% polyester	
ZQP01/459960-001	Sun Yellow/ Orange
ZQP03/459960-003	White/Black

Orakelblume – Maharam	
55" wide	
59% cotton	
41% rayon	
ZQR02/463900-002	Bark
ZQR03/463900-003	Mineral
ZQR04/463900-004	Document
ZQR06/463900-006	Loden
ZQR07/463900-007	Danube

Painted Stripe – Maharam	
55" wide	
75% cotton	
25% polyester	
ZPS01/465998-001	Rosin
ZPS02/465998-002	Tempera
ZPS04/465998-004	Variance

Pavement – Maharam	
54" wide	
51% rayon	
49% cotton	
V2002/459740-002	Birch
V2003/459740-003	Grey
V2004/459740-004	Blue
V2005/459740-005	Rust
V2007/459740-007	Loden
V2008/459740-008	Copper
V2009/459740-009	Brown

Trees – Maharam	
53" wide	
55% cotton	
28% nylon	
17% wool	
ZTE01/466195-001	Thistle
ZTE02/466195-002	Begonia
ZTE03/466195-003	Carmine
ZTE04/466195-004	Rye
ZTE05/466195-005	Conifer
ZTE06/466195-006	Rice
ZTE07/466195-007	Ocher
ZTE08/466195-008	Shadow
ZTE09/466195-009	Brush

Unisol – Maharam	
55" wide	
61% rayon	
21% polyester	
18% cotton	
ZUN01/461160-001	Black/ White

Price Category L

Blumen – Maharam	
55" wide	
53% cotton	
47% rayon	
ZBN02/462870-002	Mustard
ZBN03/462870-003	Robin
ZBN05/462870-005	Espresso

Exaggerated Plaid – Maharam	
59" wide	
100% wool	
ZEP01/466039-001	Glen
ZEP02/466039-002	Brae
ZEP03/466039-003	Firth

Geometri – Maharam	
55" wide	
77% cotton	
23% polyester	
ZGM01/459970-001	Sun Yellow/ Orange
ZGM02/459970-002	Red/ Carmine
ZGM03/459970-003	Lilac/Blue
ZGM04/459970-004	White/Black

Jacobs Coat – Maharam	
54" wide	
92% wool	
8% nylon	
V1601/462270-001	Multicolored Bright *
V1602/462270-002	Multicolored Neutral

* Color available on Girard Color Wheel Ottoman.

Letters – Maharam	
55" wide	
80% wool	
20% nylon	
ZLT01/462560-001	Sun
ZLT02/462560-002	Tangerine
ZLT03/462560-003	Scarlet
ZLT04/462560-004	Violet
ZLT05/462560-005	Cobalt
ZLT06/462560-006	Aqua
ZLT07/462560-007	Emerald
ZLT08/462560-008	Taupe

Millerstripe – Maharam	
54" wide	
92% wool	
8% rayon	
V1701/462250-001	Multicolored Bright
V1702/462250-002	Multicolored Neutral

Price category L continued on next page

- Maharam textiles are on assigned lead times [A](#).
- Fabric numbers are listed as Herman Miller fabric number/Maharam fabric number.

Maharam Textile Colors – Collection Seating

continued

Price Category L

continued

Mohair Supreme - Maharam

54" wide
100% mohair
ZMS01/451801-023 Ruby
ZMS02/451801-072 Stonehenge
ZMS04/451801-095 Acorn
ZMS06/451801-112 Slate *
ZMS07/451801-113 Rich Chocolate *
ZMS09/451801-126 Cayenne
ZMS10/451801-127 Cognac
ZMS12/451801-129 Peat *
ZMS13/451801-130 Grass
ZMS15/451801-133 Abyss
ZMS16/451801-134 Intrigue
ZMS18/451801-136 Lupine *
ZMS23/451801-141 Maple
ZMS24/451801-142 Canela
ZMS26/451801-144 Starlet
ZMS28/451801-146 League
ZMS29/451801-147 Armory *
ZMS32/451801-150 Capiz
ZMS33/451801-151 Underneath
ZMS34/451801-152 Crescent
ZMS35/451801-153 National
ZMS36/451801-154 Rooftop
ZMS37/451801-155 Skewer
ZMS38/451801-156 Party
ZMS39/451801-157 Keepsake
ZMS40/451801-158 Travel
ZMS41/451801-159 Estate
ZMS42/451801-160 Grassland
ZMS43/451801-161 Limoncello
ZMS44/451801-162 Mango
ZMS45/451801-163 Doll
ZMS46/451801-164 Carousel
ZMS47/451801-165 Palette
ZMS48/451801-166 Brandy
ZMS49/451801-167 Aristocrat
ZMS50/451801-168 Soulmate
ZMS51/451801-169 Rosette

Monk's Wool – Maharam

54" wide
96% wool
4% nylon
ZMW01/457301-001 Tusk
ZMW03/457301-003 Slate
ZMW05/457301-005 Cherokee

Palio – Maharam

55" wide
61% cotton
39% solution dyed
post-industrial recycled nylon
V1101/466107-001 Earth
V1102/466107-002 Sky
V1103/466107-003 Sun
V1104/466107-004 Multi

Pebble Wool – Maharam

54" wide
90% wool
10% nylon
ZPW01/457401-001 Birch
ZPW10/457401-010 Cottage
ZPW13/457401-013 Eggshell
ZPW14/457401-014 Whisper
ZPW15/457401-015 Ceramic
ZPW16/457401-016 Seamist
ZPW17/457401-017 Armory
ZPW18/457401-018 Glaze
ZPW19/457401-019 Cordial

Pebble Wool Multi – Maharam

54" wide
97% wool
3% nylon
ZPM01/461200-001 Fawn
ZPM02/461200-002 Slate
ZPM05/461200-005 Moss
ZPM06/461200-006 Tabasco

Quatrefoil – Maharam

54" wide
75% cotton
25% nylon
V2101/459350-001 Silver
V2102/459350-002 Pink
V2103/459350-003 Crimson
V2104/459350-004 Emerald
V2105/459350-005 Violet

Repeat Classic Stripe – Maharam

55" wide
47% cotton
27% rayon
26% polyester
ZRS01/462170-001 Inca
ZRS02/462170-002 Pistachio
ZRS03/462170-003 Poppy
ZRS04/462170-004 Cadet
ZRS05/462170-005 Peacock

Repeat Dot Ring – Maharam

55" wide
75% cotton
25% polyester
ZRR01/462150-001 Gold
ZRR03/462150-003 Apple
ZRR04/462150-004 Pink
ZRR05/462150-005 Coral
ZRR07/462150-007 Gold
Reverse
ZRR09/462150-009 Apple
Reverse
ZRR10/462150-010 Pink
Reverse
ZRR11/462150-011 Coral
Reverse

Stripes - Maharam

56" wide
92% wool
8% nylon
ZSP01/463980-001 001
ZSP02/463980-002 002
ZSP03/463980-003 003
ZSP04/463980-004 004
ZSP05/463980-005 005
ZSP06/463980-006 006
ZSP07/463980-007 007
ZSP08/463980-008 008
ZSP09/463980-009 009
ZSP10/463980-010 010

The Story of My Life – Maharam

54" wide
83% rayon
17% polyester
ZTS02/464670-002 Hay
ZTS03/464670-003 Abyss
ZTS04/464670-004 Venetian

Toostripe – Maharam

54" wide
92% wool
8% nylon
V2201/462260-001 Orange Dark/ Crimson Dark
V2202/462260-002 Black/ Raw Umber
V2203/462260-003 Ochre Dark/ Sienna

* Colors available on Eames Lounge Chair and Ottoman.

- Maharam textiles are on assigned lead times [A](#).
- Fabric numbers are listed as Herman Miller fabric number/Maharam fabric number.

Maharam Textile Colors — Collection Seating

continued

Price Category M

Names – Maharam

55" wide
73% cotton
27% polyester
V1801/462510-001 Crimson On White
V1802/462510-002 Ultramarine On White
V1803/462510-003 Black On White

Ottoman Stripe – Maharam

58" wide
92% wool
8% nylon
ZQN01/466142-001 Brass
ZQN02/466142-002 Cocoa
ZQN03/466142-003 Dusk
ZQN04/466142-004 Pistachio
ZQN05/466142-005 Apricot

Pressed Plaid – Maharam

54" wide
100% wool
T1101/466181-001 001
T1102/466181-002 002
T1103/466181-003 003
T1104/466181-004 004
T1105/466181-005 005
T1106/466181-006 006

Wool Striae – Maharam

54" wide
100% wool
T1201/466184-001 001
T1202/466184-002 002
T1203/466184-003 003
T1204/466184-004 004
T1205/466184-005 005
T1206/466184-006 006
T1207/466184-007 007

Price Category N

Alpaca Epingle – Maharam

55" wide
100% alpaca
ZAE02/465902-002 Slate
ZAE06/465902-006 Graphite

Alpaca Velvet - Maharam

54" wide
100% alpaca
ZAV01/465901-001 Alpine
ZAV04/465901-004 Ash
ZAV05/465901-005 Mahogany
ZAV06/465901-006 Charcoal
ZAV07/465901-007 Pewter

Bespoke Stripe - Maharam

56" wide
100% wool
ZBP01/463540-001 Navy
ZBP02/463540-002 Tobacco
ZBP03/463540-003 Chocolate
ZBP04/463540-004 Charcoal
ZBP05/463540-005 Black
ZBP06/463540-006 Pewter

Herringbone Stripe - Maharam

57" wide
100% wool
ZKP01/465945-001 Granite
ZKP02/465945-002 Espresso
ZKP03/465945-003 Graphite
ZKP04/465945-004 Indigo
ZKP05/465945-005 Raven

Point – Maharam

53" wide
97% rayon
3% nylon
ZPT01/466090-001 Ivory and Ember
ZPT02/466090-002 Black and Coral
ZPT03/466090-003 Slate and Khaki
ZPT04/466090-004 Black and Cobalt
ZPT05/466090-005 Black and Khaki
ZPT06/466090-006 Slate and Mandarin
ZPT07/466090-007 Slate and Black
ZPT08/466090-008 Brick and Greige
ZPT09/466090-009 Gold and Black
ZPT10/466090-010 Greige and Peat
ZPT11/466090-011 Peat and Mandarin
ZPT12/466090-012 Crimson
ZPT13/466090-013 Mandarin
ZPT14/466090-014 Citrus
ZPT15/466090-015 Grass
ZPT16/466090-016 Cyan
ZPT17/466090-017 Cobalt

Wool Velvet - Maharam

54" wide
100% wool
ZWV01/466120-001 Plush
ZWV02/466120-002 Subdue
ZWV03/466120-003 Flagstone
ZWV04/466120-004 Nori
ZWV06/466120-006 Bridle
ZWV07/466120-007 Covert
ZWV08/466120-008 Gateway

Price Category O

Bavaria Stripe – Maharam

55" wide
77% polyester
23% cotton
ZBS02/466161-002 Unique

- Maharam textiles are on assigned lead times [A](#).
- Fabric numbers are listed as Herman Miller fabric number/Maharam fabric number.

Maharam Textile Colors – Collection Seating

continued

Price Category P

Big Stripe – Maharam	
55" wide	
92% wool	
8% nylon	
ZBR01/466174-001	Peacock
ZBR02/466174-002	Spring
ZBR03/466174-003	Umber
ZBR04/466174-004	Poppy
ZBR05/466174-005	Cobalt
Brushed Merino – Maharam	
54" wide	
90% merino wool	
10% cashmere	
ZBJ01/465983-001	Non
ZBJ02/465983-002	Feather
ZBJ03/465983-003	Doe
ZBJ04/465983-004	Wither
ZBJ05/465983-005	Nook
ZBJ06/465983-006	Senf
ZBJ07/465983-007	Cheshire
ZBJ08/465983-008	Cadmium
ZBJ09/465983-009	Hewn
ZBJ11/465983-011	Ardenne
ZBJ12/465983-012	Dandy
ZBJ13/465983-013	Sprig
Epinglé Stripe - Maharam	
50" wide	
100% cotton	
ZES01/466007-001	Caramel
ZES02/466007-002	Lead
ZES03/466007-003	Violet
ZES04/466007-004	Mahogany
ZES05/466007-005	Olive

Layers Garden – Maharam	
52" wide	
96% wool	
3% nylon	
1% polyester	
ZLY01/465916-001	Ivy/Bronze
ZLY02/465916-002	Putty/ Turquoise
ZLY03/465916-003	Pewter/ White
ZLY04/465916-004	Chocolate/ Lilac
ZLY05/465916-005	Peat/Copper
Layers Park – Maharam	
52" wide	
95% wool	
3% nylon	
2% polyester	
ZLP01/465918-001	Ash/Snow
ZLP02/465918-002	Mineral/Sky
ZLP03/465918-003	Poppy/ Melon
ZLP04/465918-004	Indigo/ White
ZLP05/465918-005	Earth/Cobalt

Layers Vineyard Large – Maharam	
52" wide	
95% wool	
3% nylon	
2% polyester	
ZLV01/465921-001	Ivory/Onyx
ZLV02/465921-002	Slate/Azure
ZLV03/465921-003	Loden/Sky
ZLV04/465921-004	Taupe/ Crimson
ZLV05/465921-005	Black/ Mahogany
Layers Vineyard Small – Maharam	
52" wide	
92% wool	
5% polyester	
3% nylon	
ZLS01/465920-001	Ochre/White
ZLS02/465920-002	Scarlet/ Peony
ZLS03/465920-003	Taupe/Violet
ZLS04/465920-004	Jade/ Turquoise
ZLS05/465920-005	Ginger/Rose

Price Category Q

A Band Apart – Maharam	
56" wide	
75% polyester	
25% cotton	
ZAB01/466000-001	Unique
Aftermath – Maharam	
55" wide	
75% polyester	
25% cotton	
ZAM01/466169-001	Unique
Agency – Maharam	
55" wide	
75% polyester	
25% cotton	
ZAG02/466001-002	002
ZAG04/466001-004	004
ZAG05/466001-005	005
ZAG06/466001-006	006
ZAG07/466001-007	007
ZAG08/466001-008	008
Brushed Camel – Maharam	
58" wide	
100% baby camel hair	
ZBA01/465977-001	Albino
ZBA02/465977-002	Natural
Deconstructed Rose – Maharam	
55" wide	
65% polyester	
32% cotton	
3% rayon	
ZDS01/466086-001	Golden
ZDS02/466086-002	Vivid
ZDS03/466086-003	Earthen

Price category Q continued on next page

- Maharam textiles are on assigned lead times [A](#).
- Fabric numbers are listed as Herman Miller fabric number/Maharam fabric number.

Maharam Textile Colors — Collection Seating

continued

Price Category Q

continued

Massive Paisley – Maharam

57" wide

76% polyester

24% cotton

ZMV01/465915-001 Ash

ZMV03/465915-003 Cardinal

ZMV06/465915-006 Night

The Firm – Maharam

56" wide

75% polyester

25% cotton

ZTF03/465999-003 Unique

Price Category R

Borders – Maharam

53" wide

98% wool

2% polyester

ZBB01/466082-001 Natural

ZBB02/466082-002 Greige

ZBB03/466082-003 Charcoal

ZBB04/466082-004 Walnut

Compartment – Maharam

50" wide

100% cotton

ZCA01/466154-001 001

ZCA02/466154-002 002

ZCA03/466154-003 003

Price Category S

Bavaria – Maharam

55" wide

73% polyester

27% cotton

ZBV01/466162-001 Unique

Price Category T

Hours – Maharam

56" wide

95% wool

3% nylon

2% rayon

ZKR01/466092-001 Day

ZKR02/466092-002 Night

- Maharam textiles are on assigned lead times [A](#).
- Fabric numbers are listed as Herman Miller fabric number/Maharam fabric number.

Maharam Textile Colors — Collection Seating

continued

Appendix: Maharam Textile Colors — Collection Seating

Price Category U	Price Category V-W	Price Category X	Price Category Y
<p>Layers Garden Double – Maharam 52" wide 96% wool 3% nylon 1% polyester</p> <p>ZLD01/465917-001 Ash/ Quartz/ Grass</p> <p>ZLD02/465917-002 Earth/ Chocolate/ Coral</p> <p>ZLD03/465917-003 Black/ Navy/ Cobalt</p>	<p>No fabrics available at this time.</p>	<p>Eden – Maharam 56" wide 83% polyester 17% cotton</p> <p>ZED01/466258-001 001 ZED02/466258-002 002 ZED03/466258-003 003 ZED04/466258-004 004 ZED05/466258-005 005</p> <p>Foliage – Maharam 56" wide 75% polyester 25% cotton</p> <p>ZFG01/466257-001 001 ZFG02/466257-002 002 ZFG03/466257-003 003 ZFG04/466257-004 004 ZFG05/466257-005 005</p>	<p>Industry – Maharam 55" wide 80% polyester 20% cotton</p> <p>ZND01/466255-001 001</p>
<p>Layers Park Double – Maharam 52" wide 96% wool 3% nylon 1% polyester</p> <p>ZLB01/465919-001 Mineral/ Taupe/ Lemon</p> <p>ZLB02/465919-002 Sienna/ Ginger/ Rose</p> <p>ZLB03/465919-003 Black/ Peat/ Copper</p>			

- Maharam textiles are on assigned lead times [A](#).
- Fabric numbers are listed as Herman Miller fabric number/Maharam fabric number.

Maharam Textile Colors — Collection Seating

continued

Price Category Z

No fabrics available at this time.

Leather Price Category 10M

Pace Leather – Maharam

approx. 50 sq. ft. per hide

100% leather

ZPA01/700011-001 Whisper

ZPA02/700011-002 Shy

ZPA03/700011-003 Granite

ZPA04/700011-004 Misty

ZPA05/700011-005 Studio

ZPA06/700011-006 Throne

ZPA07/700011-007 Proper

ZPA08/700011-008 Huron

ZPA09/700011-009 Darkroom

ZPA10/700011-010 Bark

ZPA11/700011-011 Raspberry

ZPA12/700011-012 Sangria

ZPA13/700011-013 Admiral

ZPA14/700011-014 Juniper

ZPA15/700011-015 Regal

ZPA16/700011-016 Vapor

ZPA17/700011-017 Valley

ZPA18/700011-018 Bushel

ZPA19/700011-019 Heirloom

ZPA20/700011-020 Palomino

ZPA21/700011-021 Bamboo

ZPA22/700011-022 Saffron

ZPA23/700011-023 Tearose

ZPA24/700011-024 Canyon

ZPA25/700011-025 Bistro

ZPA26/700011-026 Toffee

ZPA27/700011-027 Rodeo

ZPA28/700011-028 Mudslide

ZPA29/700011-029 Greige

ZPA30/700011-030 Reflection

ZPA31/700011-031 Pure

ZPA32/700011-032 Desert

ZPA33/700011-033 Griffin

ZPA34/700011-034 Urbane

ZPA35/700011-035 Woodrose

- Maharam textiles are on assigned lead times [A](#).
- Fabric numbers are listed as Herman Miller fabric number/Maharam fabric number.

For more information about our products and services or to see a list of dealers, please visit us at HermanMiller.com or call (800) 851 1196.

© 2019 Herman Miller, Inc., Zeeland, Michigan

Distribution Rights

Working together since 1956, Herman Miller and Vitra are the authentic sources of designs by Charles and Ray Eames, Alexander Girard, and George Nelson. All the designs shown in this book are protected by law. Herman Miller has obtained all rights to make and sell these designs. Also, Herman Miller holds exclusive worldwide manufacturing and distribution rights for these products with the following exceptions:

Charles and Ray Eames, George Nelson, and Alexander Girard—Worldwide distribution rights for furniture in all areas except Europe and the Middle East. For those areas, please contact Vitra.

Isamu Noguchi—Worldwide distribution rights for the Noguchi Rudder Table. Distribution rights for the Noguchi Table in North America and Central America only. For all other areas, please contact Vitra.

Magis—Exclusive distribution rights in the US and Canada. For all other areas, please contact Magis.

Mattiazzi—Exclusive distribution rights in the US and Canada. For all other areas, please contact Mattiazzi.

® **HermanMiller**, ●, 3D Intelligent, AO, Action Office, Aeron, ArcSpan, Aside, Avall, Avive, Bubble Lamps, Canvas Office Landscape, Caper, Celle, Co/Struc, Daisiyone, Distil, Eames, Eco-Dematerialized, Embody, Envelop, Equa 2, Ergon 3, Ethospace, Exclave, Fine-Tune, FlexFront, Flo, Formcoat, Formwork, Ground Cloth, Herman Miller for the Home, Herman Miller for Healthcare, Intersect, Kinemat, Lapjack, Layout Studio, Lifework, Limerick, Live Unframed, Living Office, Locale, Maharam, Meridian, Mirra, Motia, Passage, Pellicle, Perspectives, Plex, PostureFit, Public Office Landscape, Resolve, Rodney, Sayl, Setu, Thrive, Tu, Wishbone, and Y-Tower are among the registered trademarks of Herman Miller, Inc., and its owned subsidiaries.

™ 8Z Pellicle, About Face, AireWeave, Albert, Backfit, Bubbletack, Burdick Group, Butterfly Back, Celeste, Cellular Suspension, Clam, Compass, Connect, Cosm, Cubert, DOT, Duracare, Durawrap, Eames Soft Pad, EnhancedAccess, Everywhere, Flex-Edge, Flute, Harmonic, Herman Miller Select, Hopsak 2, Intent, Iota, Jaw, Keyless Entry, Keyn Chair Group by Herman Miller, Latitude, Lino, Locale, Logic Mini, Logic Power Access Solutions, Live Platform, Loop, Lyris, Lyris 2, Made-to-Measure Storage, Metaform Portfolio, Mora, Multiscrim, Nelson, Nevi, Overlay, Pari, Pixelated Support, PostureFit SL, Prospect, Q, Renew, Sense, Soft Pad, Stackable, Stackable Storage, Striad, Swoop, Tone, TriFlex, Twist, Ubi, Verus, Vista and Wireframe are among the trademarks of Herman Miller, Inc., and its owned subsidiaries.

SM Herman Miller Options is among the service marks of Herman Miller, Inc.

AAP™ is a trademark of Extron Electronics.

Alexander Girard® is a registered trademark of The Alexander Girard Estate.

Chemsur® is a registered trademark of Wilsonart International.

Corian® is a registered trademark of E. I. du Pont de Nemours and Company Corporation.

Crypton® is a registered trademark of Crypton, Inc.

DACRON® is a registered trademark of INVISTA S.a r.l.

Danzer® is a registered trademark of Danzer Holding AG.

Decora® is a registered trademark of Leviton Manufacturing Co., Inc.

Edelman® Leather is a registered trademark of Edelman Leather, Inc.

Extron® is a registered trademark of RGB Systems, Inc.

FENIX NTM® is a registered trademark of Arpa Industriale S.p.A.

FLEXNET™ is a trademark of Milliken & Company.

Floor Saver Glide® is a registered trademark of Carpin Manufacturing, Inc.

Geiger® is a registered trademark, and Bumper™, Saiba™, and Ward Bennett™ are trademarks, of Geiger International.

Goetz™ is a trademark of Mark W. Goetz.

Hang-It-All® is a registered trademark of Lucia Eames Demetrios, d.b.a. Eames Office.

Holophane® is a registered trademark of Holophane.

Ingeo™ is a trademark of Cargill Dow LLC.

iPad® is a registered trademark of Apple, Inc.

Leviton® is a registered trademark of Leviton Manufacturing Co., Inc.

LifeSize® is a registered trademark of LifeSize Communications, Inc.

Magis®, Bombo®, and Me Too® are registered trademarks of Magis S.p.A.

Microsoft® and Natural® Keyboard are registered trademarks of Microsoft Corporation.

Noguchi® and the Noguchi table configuration (trade dress) are registered trademarks, and Rudder Table™ is a trademark, of The Isamu Noguchi Foundation and Garden Museum.

Place Textiles® is a registered trademark of Place Textiles.

SuperSeat™ is a trademark of Dahti Seating, a division of ITW.