

2+2 3+3

Antenna™ Workspaces

Knoll

Services Distribution in Antenna Workspaces

Antenna Workspaces is designed to manage and support technology in any planning approach: independent or linked desks, big table or Fence-based planning. Simple components enable safe, convenient outlets for power, data and communications services at the desktop or just below.

Antenna Workspaces features two choices of modular power distribution: 2+2, 8-wire, four circuit and 3+3, 10-wire, six circuit systems. Each includes compact power harnesses, preconfigured duplex outlets, jumper cables and infeeds for hardwire connection to building power supply.

Antenna Workspaces also offers integrated cable management solutions for data and communications services, enabling “lay-in” installation and separation from power. For desks and big tables these include cable clips, cable baskets and communications mounting boxes. All components except desktop outlet center can be mounted to the support rails of desks or the center beam of big tables before desktops are installed. For fence, data and communications faceplates can be mounted in outlets covers and cables clip to the fence frame behind covers.

Antenna Desktop Power, Data and Communications

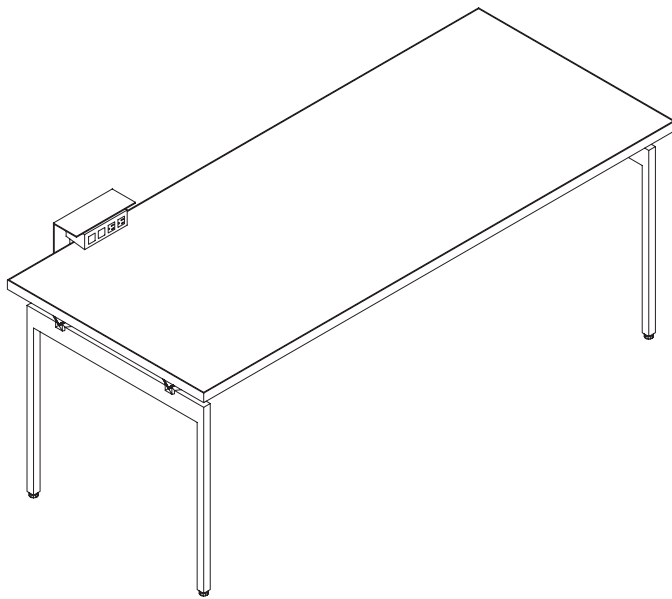
The Antenna Desktop Power Center combines desktop outlets for power data and communications in any Antenna plan and is the ideal solution for independent desks.

The desk mount bracket conceals cables behind and below the desk and incorporates a shelf for small electronics above.

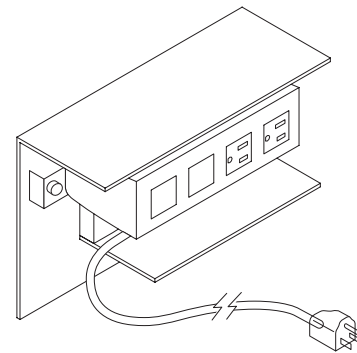
Desktop Power Center is available with four simplex outlet positions (two power and two datacom) or six outlets (three and three, or two power and four datacom).

Desktop Power Center is powered by a 6' or 10' cordset that can connect to an Antenna raceway outlet or directly to a building outlet, or may be hardwired to building power junction box.

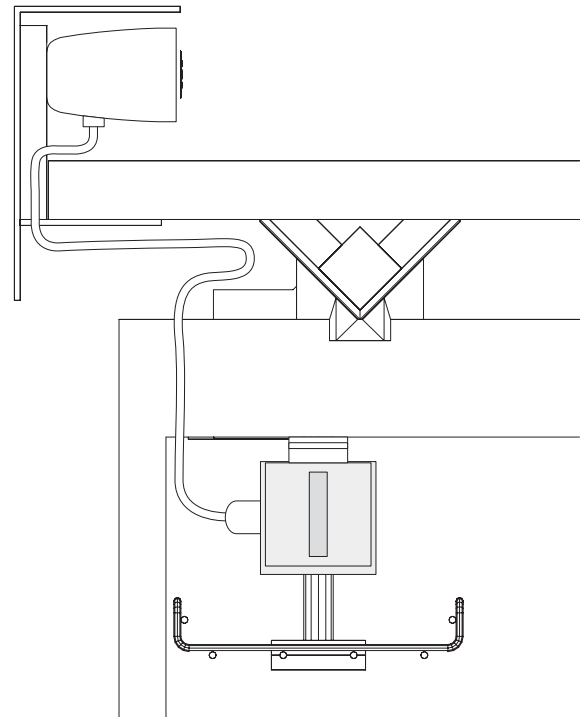
Power center includes adapters for various common communication outlets by others. Rectangular opening in base of power center enables cables to supply outlets from cable tray or cable clips under desktop.



Desktop Power Center



Desktop Module



Desktop Module Context

Power in Antenna Linked Desks

Antenna modular power distribution for linked desks is based on just five key components: a mounting bracket, a power harness, duplex outlets, jumper cables between harnesses, and power infeeds. Raceway covers are specified separately to enclose harness, outlets and jumper connections.

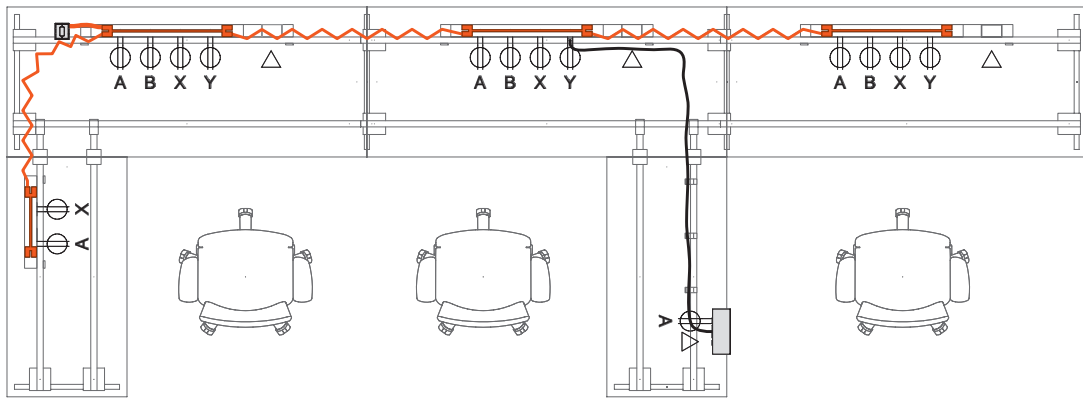
Covers are available with outlet openings on one or both sides of harness.

The mounting bracket attaches to the front or back side of a desktop support rail at any point, and can match the width or be wider than the harness to suspend cable baskets or communications mounting box.

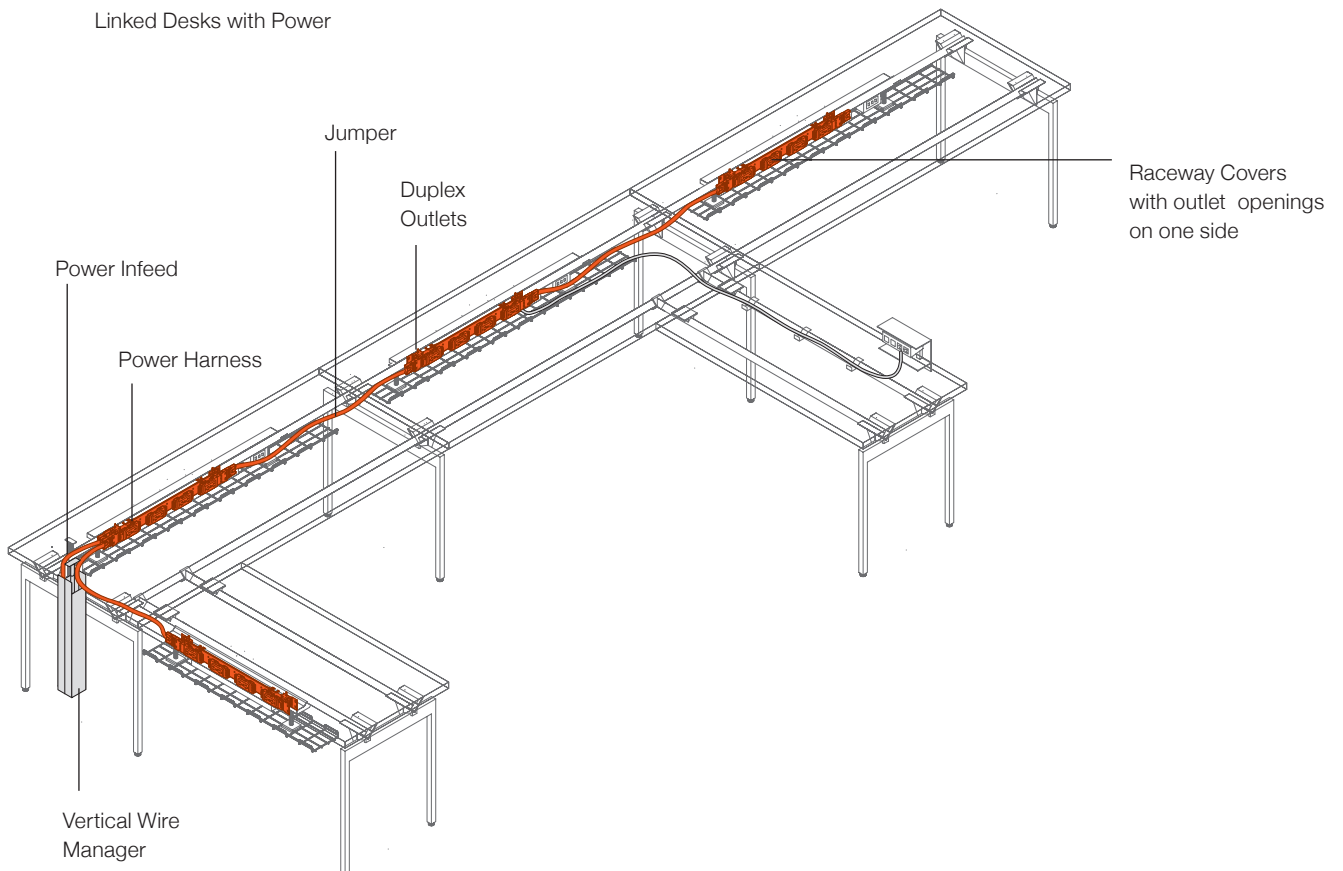
The harness can be specified with two or four outlet positions on front and back faces, and also includes two ports for jumper cable or infeed at both ends.

Jumper length is typically the difference between adjacent desktop width and the harness length. At returns the jumper length needs to be longer by the depth of the primary top.

Infeed cable may be managed from floor level junction box to underside of desk in a vertical wire manager.



Linked Desks with Power

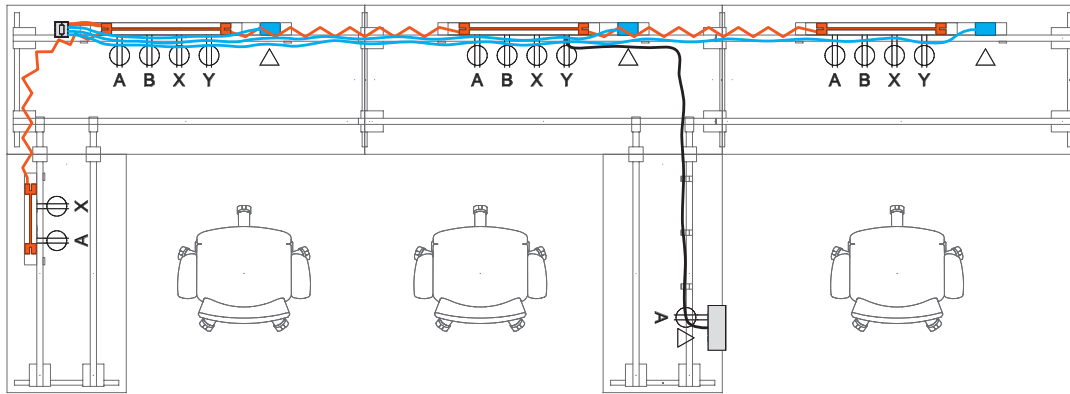


Data and Communications in Antenna Linked Desks

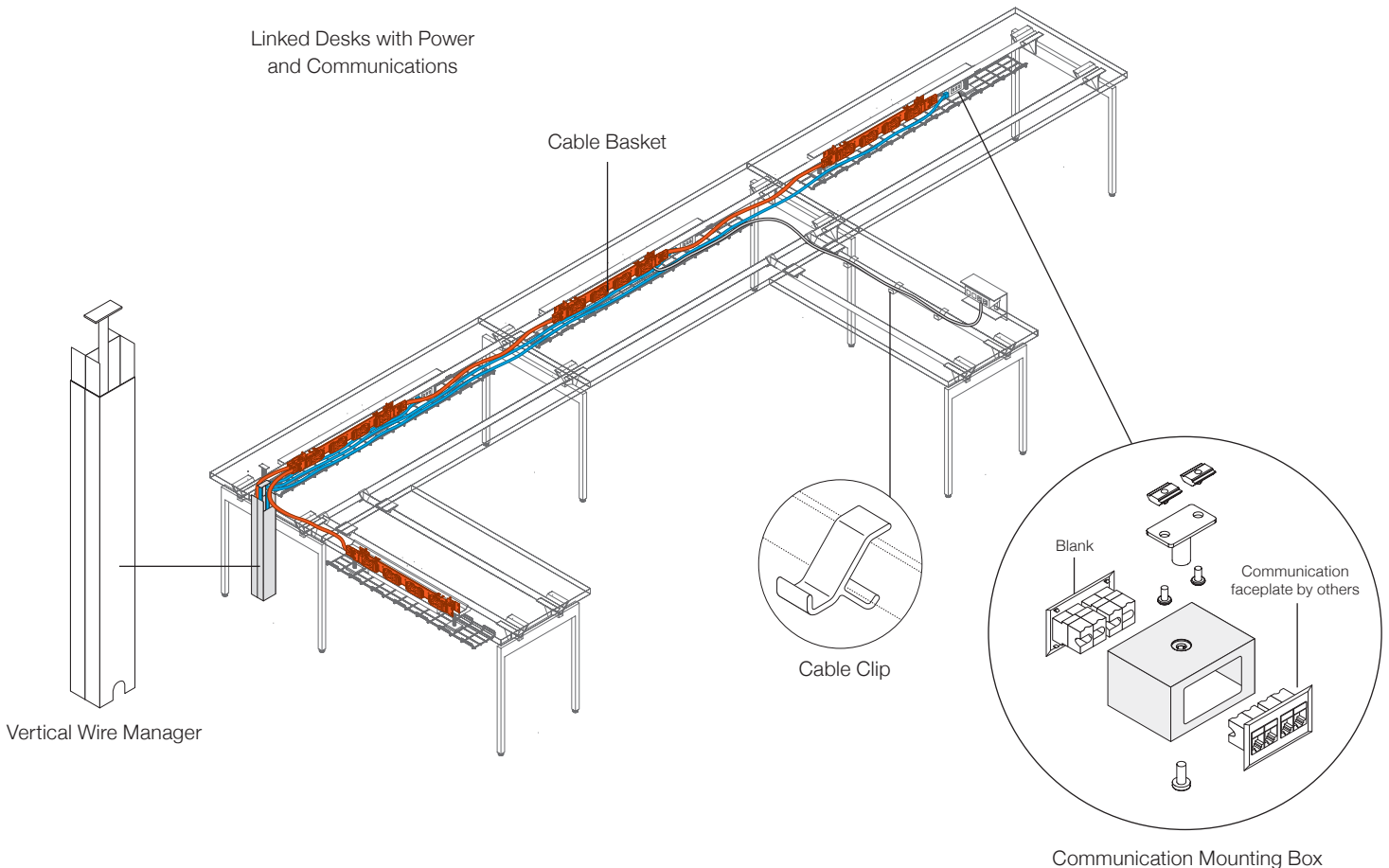
Data and communications faceplates are housed in a communications mounting box that is suspended from an extended adapter bracket on either side of the power harness. The mounting box has industry standard decora-size openings for outlets facing the inside or outside of the desk, and an opening underneath for cable supply.

Cable distribution for desks is supported by a 6" wide, 69" long, coated wire basket suspended from the adapter bracket. Baskets can be trimmed in length onsite.

Cables can be managed from the floor up to the cable basket by the vertical wire manager. The H-shape internal frame is suspended from the desktop or adapter bracket, and provides lay-in channels separating power from datacom cables. U-shape side covers snap on to the frame to manage and conceal cables.



Linked Desks with Power and Communications



Power in Antenna Big Tables

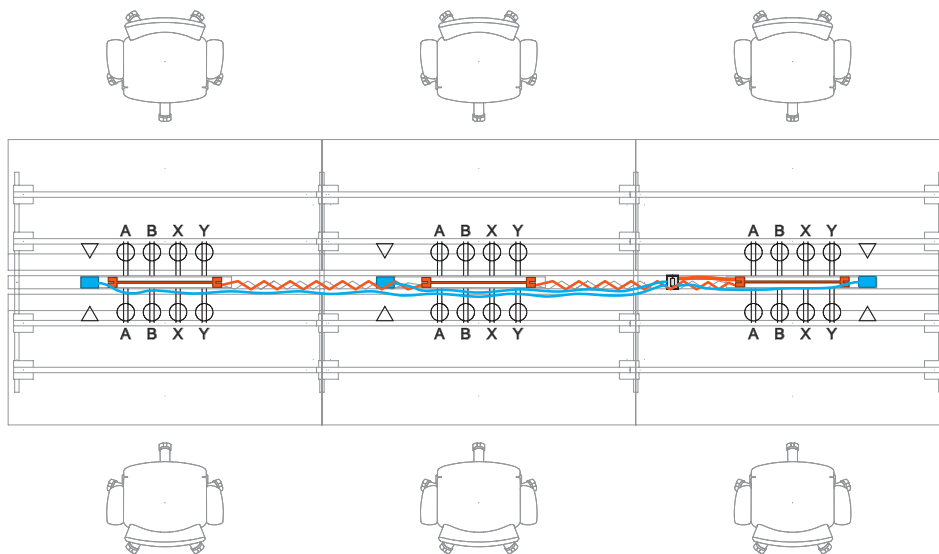
Antenna modular power distribution for big tables is based on just four key components: a power harness, duplex outlets, jumper cables between harnesses, and power infeeds. Raceway covers are specified separately to enclose harness, outlets and jumper connections.

The harness can be attached to the underside of the center beam at any point.

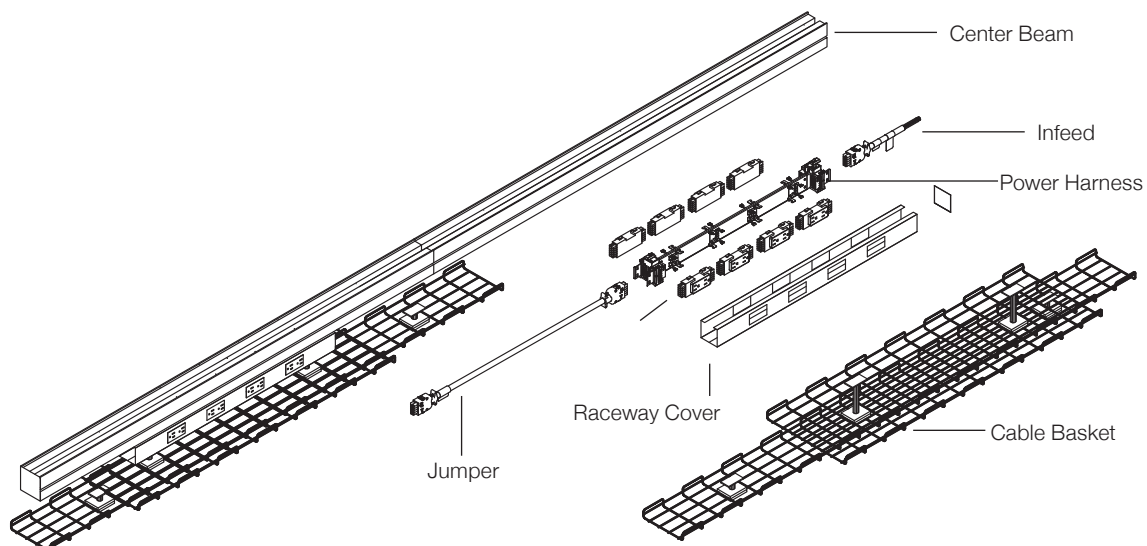
The harness can be specified with two or four outlet positions on front and back faces, and also includes two ports for jumper cable or infeed at both ends.

Jumper length is typically the difference between adjacent desktop width and the harness length. Jumpers can pass over or under the crossrail of intermediate legs.

Power infeed can be managed from the floor up to a harness with a vertical wire manager, which is suspended from the center beam at any point.



Big Table Power and Communications

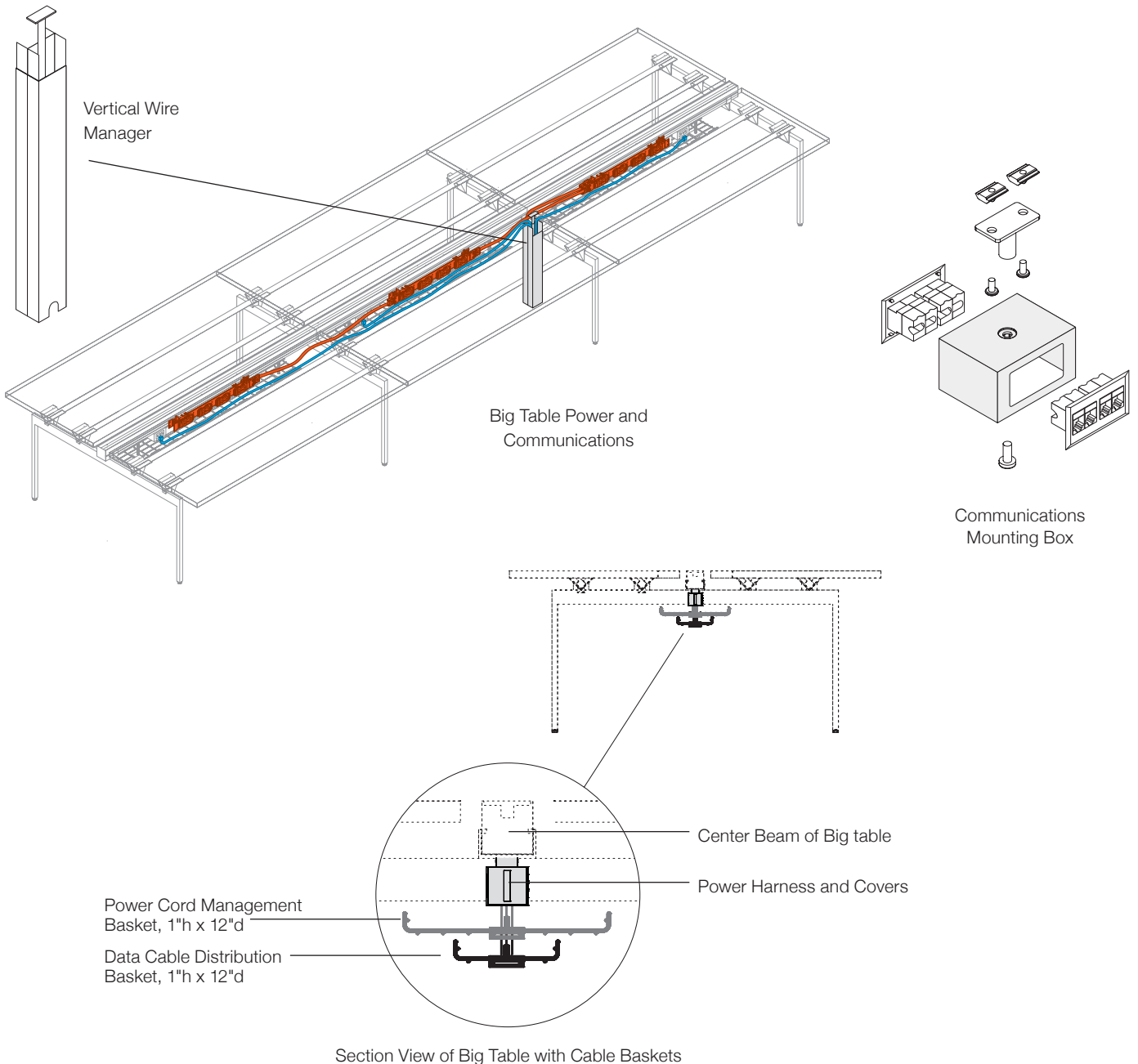


Data and Communications in Antenna Big Table

Data and communications faceplates are housed in a communications mounting box that is suspended from the center beam on either side of the power harness. The mounting box has industry standard deco-size openings for outlets facing desks on either side, and an opening underneath for cable supply.

Cable distribution for big tables is supported by a two-level system of coated wire cable baskets suspended from the center beam. The 12" wide, 27" or 39" long, upper level basket collects excess power cables to protect data/com cables in the 6" wide, 69" long, lower basket. Baskets can be trimmed in length onsite.

Cables can be managed from the floor up to the cable baskets by the vertical wire manager. The H-shape internal frame is suspended from the center beam at any point, and provides lay-in channels separating power from data/com cables. U-shape side covers snap on to the frame to manage and conceal cables.



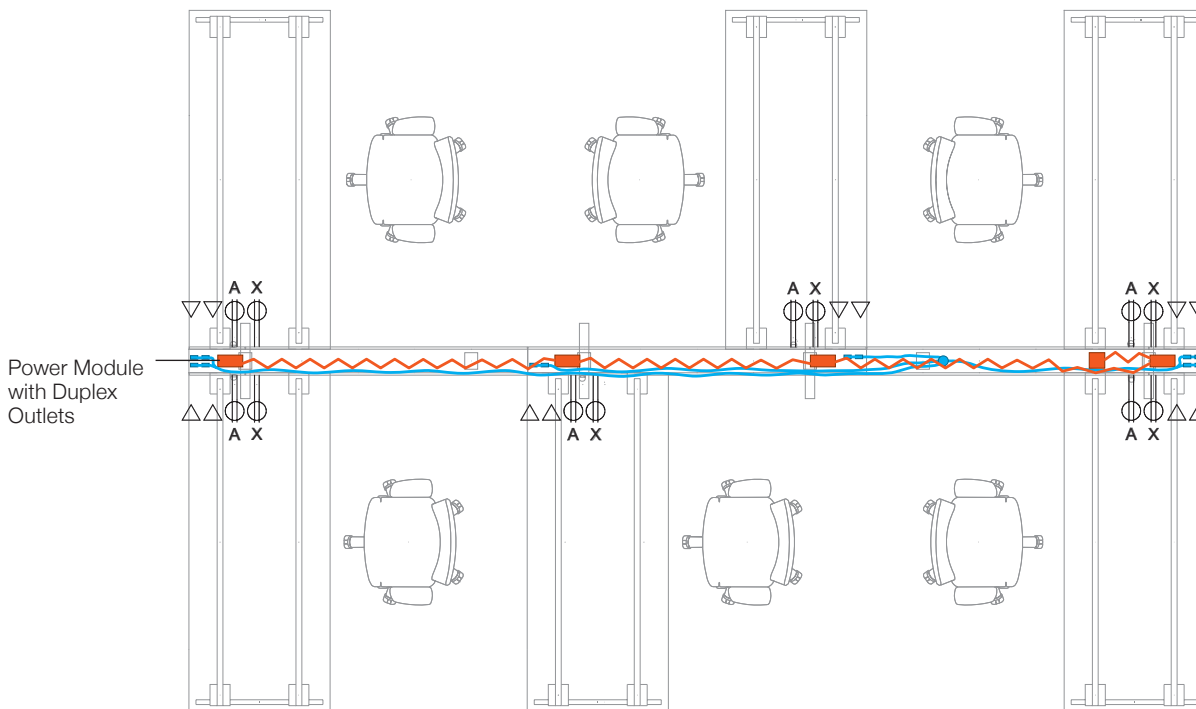
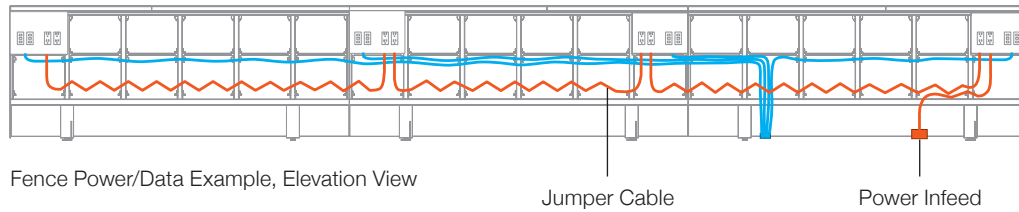
Power Distribution in Antenna Fence

Antenna modular power distribution for Fence is based on just four key components: a power module, duplex outlets, jumper cables, and power infeeds. Raceway covers are specified separately to enclose harness, outlets and jumper connections.

Power modules accept two duplex outlets on each face, and up to four jumpers or power infeed. The 5" wide power module can be mounted to either side of studs in the upper 9" cover zone of the frame. A 12" wide outlets cover encloses two or four duplexes every 12" of the Fence.

Jumpers join between harnesses and can pass through or on either face of the studs in the frame. Jumper cable lengths must be minimum of 12" longer than distance between modules.

Power infeed connects into power module from a building junction box adjacent to or directly under the Fence frame.



Fence Power/Data Example, Plan View

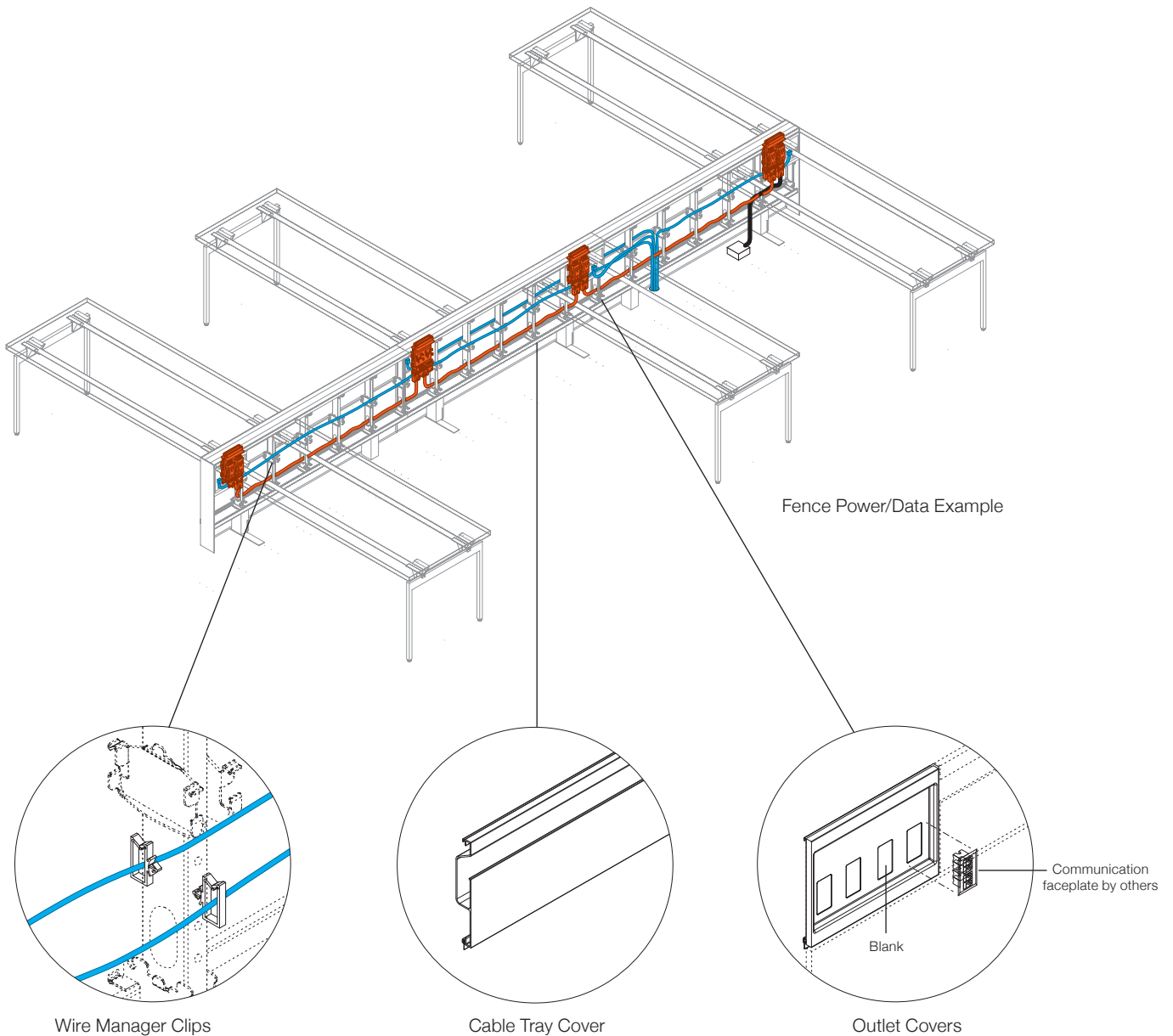
Data and Communications in Antenna Fence

Antenna Fence outlet covers can provide two industry standard decora size openings for datacom faceplates directly adjacent to power outlets.

Outlet covers and other surface covers can be easily removed for access to cables managed inside.

Within the Fence cables can be distributed along the surface of the studs without "fishing" through studs or adjacent frames. Lay-in cable capacity is approximately 12.5 square inch section inside covers on both sides of lower level of frame.

On the outside surfaces of the frame unique cable tray covers enable users to manage cables from the desktop over to outlets without removing side covers.



Technical Specifications

2+2

Four 20-amp circuits, 8 wire configuration with four hots (12 gauge), two neutrals (10 gauge, 35A rated), two grounds.

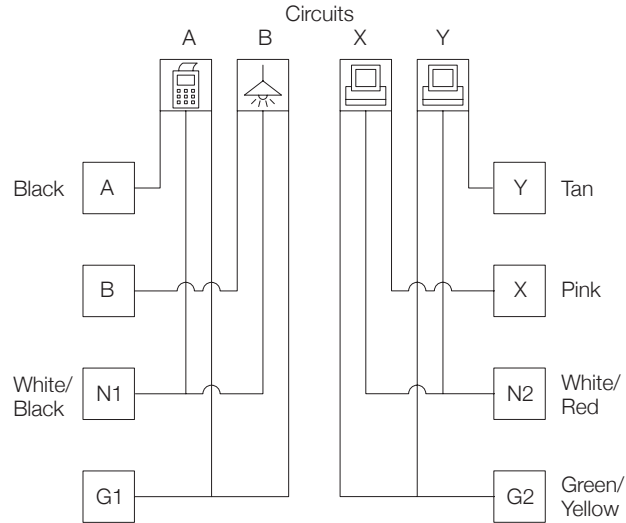
Power harness and outlet modules: steel enclosure between molded polypropylene distribution blocks, 8-wire.

Jumper cables: flexible steel conduit with strain relief, 8-wire

Outlets: molded polycarbonate duplex preconfigured as circuit A, B (black), X, Y (black, orange or black with orange triangle)

Infeed: watertight conduit with 6' whip or hardwire box mounted to desk rail, center beam or fence frame, 8-wire

Load should be balanced evenly among power circuits. In accordance with NEC2011 Article 210, the permissible load should not exceed 80% of the circuit ampere rating (which is 16 amps on each 20 amp branch circuit).



3+3

Six 20-amp circuits, 10 wire configuration with six hots (12 gauge), two neutrals (10 gauge, 35A rated), two grounds.

Power harness and outlet modules: steel enclosure between molded polypropylene distribution blocks, 10-wire.

Jumper cables: flexible steel conduit with strain relief, 10-wire

Outlets: molded polycarbonate duplex preconfigured as circuit A, B, C (black), X, Y, Z (black, orange or black with orange triangle)

Infeed: watertight conduit with 6' whip or hardwire box mounted to desk rail, center beam or fence frame, 10-wire

Load should be balanced evenly among power circuits. In accordance with NEC2011 Article 210, the permissible load should not exceed 80% of the circuit ampere rating (which is 16 amps on each 20 amp branch circuit).

Wiring Diagram (3+3)

