

Antenna Workspaces

Price List
March 2019



Knoll

Introduction	Knoll and Sustainable Design	4
	Using the Antenna Workspaces Price List	5
	Material and Finish Options	6
	Antenna Finish Options	7
	Material and Finish Matrix	8
	KnollTextiles Approved for Screens and Fabric Inserts	13
	KnollTextiles and Spinneybeck for Pedestal Cushions	15
	Grain Direction Planning Guidelines	16
	Wall Mounting Guidelines for Cabinets	18
	Antenna Workspaces Concept	20
	Introduction of Basic Elements	21
	Fundamental Planning Overview	30
Preconfigured Desks and Tables	24" and 30" Deep	31
	Y-base tables	35
	Media Enclave	38
Tops	Scope Overview of Antenna Tops	40
	Planning Guidelines for Antenna Tops	42
	Antenna Tops For Desks or Big Tables	44
	Antenna Hinged Access Tops for Big Tables	47
	Antenna Centered Hinged Access Tops for Big Tables	49
	Antenna Back Tops for Single Sided Big Tables	51
	Antenna Extension Tops for Desks and Big Tables	52
	Antenna Tops for 120° Planning	53
	Antenna Tops and Worksurface Shelves for Template	56
	Planning Guidelines for Overlay Tops	61
	Overlay Tops for Desks	62
	Overlay Benching Tops for Desks and Big Tables	65
	Overlay Hinged Access Tops for Big Tables	67
	Overlay Extension Tops for Desks and Big Tables	69
	Desk and Table Support	Planning Guidelines for Desks and Tables
Planning Guidelines for Dual Sided Big Tables		71
Planning Guidelines for Single Sided Big Tables		72
Stability Guidelines for Desks, Tables and Big Tables		74
Starter and Extended Rails		77
Return and Bridge Rails		81
Desk Connectors		84
Desk Support Adapters		86
Components for Reconfigurations		90
Center Beam for Big Tables		91
Center Beam for Big Tables, Table Desk and Wide End Leg		93
Sapper Monitor Arm for Antenna Center beam		94
Keyboard Tray and CPU Holder Mounts		95
Scope Overview of Legs		97
Legs for Desks or Returns		100
Legs for Table Desks		105
Legs for Back to Back Desks		107
Legs for Dual Sided Big Tables		109
Legs for Standing Height Dual Sided Big Tables		116
Legs for Single Sided Big Tables		124
Modesty Panels for Desks or Returns		132
Back Panels for Single Sided Big Tables	135	
End Panels	138	
Enclave End Panels	148	
Sales and Installation Tools	150	

Power and Communications	Planning Guidelines for Electrical Components	152
	Electrical Components for Desks and Big Tables	156
	Hardwire Raceway	161
	Surface Mounted Plugmold Raceway	162
	Desktop Outlet Center	164
	Cable Management	166
Fence Components	Planning Guidelines for Fence	172
	Fence Structure	174
	Fence Universal Gallery Panels	176
	Fence Connectors and Trim	182
	Electrical Components for Fence	185
	Upper Covers	190
	Lower Covers	195
	Full Covers	199
Screens	Desk Screens	203
	Big Table Screens	208
	Intermediate Screens	211
	Desktop End Screens	214
	End Screens for Dual Big Table	218
	Fence Screens	221
	S Screens	224
	Floorstanding Desk Screens	226
Storage Components	Storage Planning Guidelines and Specifications	228
	Pedestals	230
	Scope Overview of Suspended Storage	240
	Laptop Drawer	242
	Suspended Storage	244
	Extension Cabinets	250
	Stanchion Mounted Wood Storage	260
	Stanchion Mounted Metal Storage	266
	Stanchion Mounted Platform	270
	Stanchion Supports	272
	Cantilever Shelves	274
	Floorstanding Personal Desk-End Cabinets	278
	Floorstanding Shared Desk-End Cabinets	281
	Floorstanding Desk-End Cabinet Accessories	283
	Floorstanding L and Wardrobe Cabinets	284
	Floorstanding File Cabinets	286
	Floorstanding Enclosed Shelf Cabinets	289
	Floorstanding Partially Enclosed Shelf Cabinets	291
	Floorstanding Open Shelf Cabinets	293
	Wall Mounted Wood Cabinets	296
Wall Mounted Metal Cabinets	298	
LED Task Lights	300	
Interpole Components	Planning Guidelines for Interpole	302
	Scope Overview of Interpole Poles and Covers	305
	Interpole Poles and Covers	306
	Interpole Power Components	310
	Interpole Accessories	315
	Interpole Screens	319
	Interpole Horizontal Wood Storage	332
	Interpole Vertical Wood Storage	341
Antenna Simple Tables	Antenna Simple Tables	348
	Antenna Simple Table Modesty Panels	358
	Modesty Panels for Simple Tables	359
	Antenna Simple Table Tops	361
	Antenna Simple Table Legs	364
	Antenna Simple Table Power and Accessories	365

Antenna Telescope	Antenna Telescope Rectangular Tops for Adjustable Dual Tables	367	
	Antenna Telescope Radiused Tops for Adjustable Dual Tables	368	
	Antenna Telescope Tops for Adjustable 120° Triads	370	
	Antenna Telescope Tops for Fixed Dual Tables	371	
	Antenna Telescope Return Tops for Dual Tables	372	
	Antenna Telescope Dual Table Bases	373	
	Antenna Telescope Single Sided Table Bases	385	
	Antenna Telescope Back Panels	398	
	Antenna Telescope 120° Triad	406	
	Antenna Telescope Dual Return Bases	414	
	Antenna Telescope Single Sided Return Bases	417	
	Antenna Telescope Y-Base Tables	420	
	Antenna Telescope End Panels	422	
	Desk Screens for Telescope Dual Tables	430	
	Center Screens for Telescope Dual Tables	432	
	Telescope Power and Cable Management	436	
	Telescope Accessories	443	
	Horsepower	Planning Guidelines for Horsepower	445
		Mobile Technology Cart	446
Independent Horsepower		447	
Linked Horsepower		450	
Legs for Linked Horsepower		451	
Beams for Linked Horsepower		452	
Covers for Linked Horsepower		453	
Horsepower Desk Support Adapters		455	
Electrical Components for Horsepower		458	
Horsepower Screens		468	
Horsepower Saddles		471	
Horsepower Upmounted Shelves		473	
Horsepower Wood Cabinets		475	
Horsepower Metal Shelves		488	
Horsepower Accessories	490		
Selling Policy	507		
KnollKey Lock Program	509		
General Ordering Information	510		

Knoll and Sustainable Design

Each year Knoll sets key initiatives in the journey to sustainability. Focused on our impact to people and planet, Knoll reports material health product attributes and sets operational targets to reduce greenhouse gas emissions, waste generation and water use (in our North American facilities.)

Material transparency is a core Knoll sustainable design value, enabling us to optimize the design and performance of our products. Our material health program utilizes independent third-party certifications that provide an impartial and trustworthy foundation for industry-wide transparency. Certification by respected third parties ensures that all manufacturers are held to the same high standards. Knoll certifications include: Forest Stewardship Council (FSC®), Intertek's Clean Air Program, Business and Institutional Furniture Manufacturer's Association (BIFMA) LEVEL® certification, International Living Institute's (ILFI) Declare labelling and Certified Environmental Product Declarations. In addition, Knoll is aligned with the U.S. Green Building Council and can help organizations achieve credits for Leadership in Energy and Environmental Design (LEED®), WELL and the Living Building Challenge (LBC) building certifications.

In our manufacturing operations, we focus on efficiency and impact. Knoll Office and Knoll Europe manufacturing locations are ISO 14001:2015 certified. We have also achieved year-over-year increases in the amount of waste diverted from landfills and have contributed to greenhouse gas emissions reductions through individual site efforts. These initiatives are part of a long-term strategy to further reduce energy consumption and lower our carbon footprint.

We also believe in helping our customers find viable options when decommissioning furniture or other related assets. ANEW's Full Circle Program, in partnership with Knoll, allows customers to leverage buy-back and re-sale programs as well as explore options for repurposing or recycling that mitigate landfill impact through energy-from-waste conversion.

For more information about Knoll and sustainable design, visit www.knoll.com/environment.

An Overview

The introduction section of the Price List includes a visual index of product components, an explanation of material, finish and fabric options, grain direction planning guidelines and an introduction to the basic elements and planning guidelines for Antenna Workspaces.

The product portion of the Price List starts with a section of preconfigured desks and tables, orderable by a single pattern number, and continues with an outline of the Antenna Workspaces scope by individual product categories. Products include tops, desk and table support, power and communications, fence components, screens and storage components.

Can't find it? Consult the Table of Contents on page 2 or the Alphanumeric Index at the end of the Price List.

The Knoll selling policy, warranty, KnollKey lock program and general ordering information are also located in the back of the Price List.

Product Information on Each Page

The Antenna Workspaces Price List was designed to provide you with everything you need to know in order to understand, plan and specify Antenna Workspaces. On each page, the following features will assist you:

The ***description*** explains salient features, capabilities, materials and size.

The ***type*** gives helpful planning information either in regard to product applications or quantities of products.

The ***dimensions*** provide nominal width, depth and height of the product.

The ***pattern number*** is the specific code required to order the size and material desired.

The ***ordering information*** outlines exactly how to specify Antenna Workspaces product and the full scope of finish options.

The ***order code*** provides an example of how one pattern number is specified.

The ***included with*** section identifies all other items that will be included with the product.

The ***options section*** lists all finish, material and feature options available on the product.

Use the Following Addresses

If you would like to send a standard lead time order to our order entry department, please use the following address:

For North American orders:

Knoll, Inc.
1235 Water Street
East Greenville, PA 18041
Attn: Order Entry
Tel: 800 343-KNOLL

All accepted orders will be confirmed in writing on the Knoll standard order confirmation form.

Ship-Complete Orders

Orders that must ship complete are to be so stated on the purchase order. Products with different lead times, combined on one order, can be acknowledged for shipment based on the longest of those lead times.

Orders not marked "ship complete" will be released according to the confirmation and invoiced in increments.

For More Information

For more information, contact your Knoll sales representative, a Knoll dealer, or telephone Customer Service at **1-800-343-KNOLL**.

For specific product applications for each finish refer to the finish matrix on the following pages.

KNOLL CORE LAMINATES

Solid Colors

111	Jet Black* **
114	Folkstone Grey* ** (S)
115	Medium Grey* **
117	Soft Grey* **
118	Bright White* ** (S)
119	Pumice* **
128	Fog* **

(S) S Screen finish option

Patterned

121	Micro Grey
122	Brushed Sand
123	Brushed Grey
129	Micro Sand

Brushed Sand (122) and Brushed Grey (123) are not available on laminate screens 60" and wider and on modesty or end panels of any size.

Wood Grain

124	Medium Cherry* **
125	Natural Maple* **
126	Natural Cherry* **
127	Walnut* **
139	Light Ash* **
140	Warm Ash* **
141	Whitened Ash* **
142	Grey Ash* **
143	Classic Oak* **
144	Graphite Pear* **
145	Zebra*
147	Silverwood**
148	Smokewood**
149	Barnwood**

*Matching edgeband available

** Melamine worksurface finish.

Worksurfaces manufactured in Melamine are available in High Pressure Laminate at a 10% upcharge. Other products are also available in High Pressure Laminate and would need to be quoted separately.

ACCENT LAMINATE

130	Dark Red
131	Slate Blue
132	Olive Green
133	Canary Yellow
134	Knoll Red

Accent Laminates are only available on the interior of laminate storage cabinets.

COLOR CORE LAMINATES

311	Solid Gallery White
312	Solid Folkstone

MARKERBOARD LAMINATE

M	Markerboard
---	-------------

GLASS SCREENS

TEMP	Clear
GL13	Powder
GL35	Grey Tinted

GLASS TOPS

TEMP	Clear
GL13	Powder
GL85	Starfire Clear
GL35	Grey Tinted
GL11	Back Painted Black
GL45	Back Painted White

PLATED FINISH

PD	Chrome
----	--------

ANODIZED FINISH

AA	Anodized Aluminum
----	-------------------

KNOLL CORE PAINTS

111T	Jet Black
112T	Brown
113T	Dark Grey
114T	Folkstone Grey
115T	Medium Grey
116T	Sandstone
117T	Soft Grey
118T	Bright White
611T	Beige Mist Metallic
612T	Medium Metallic Grey
613	Silver

ACCENT PAINTS

130	Dark Red
131	Slate Blue
138	Clear*
146	Black Wrinkle (H)

*Available on select base components.

(H) Available on Horsepower only.

COMBINATION LAMINATE

Laminate storage cabinets may be specified with different laminate finishes on the exterior and interior of the case.

EDGE OPTIONS FOR LAMINATE WORKSURFACES

WPLY	Ply Edge Wood (V1 pricing)
SPLY	Ply Edge Synthetic (L pricing)

Additional edge options are only available on laminate worksurfaces.

Wood Finishes

New codes begin with a three digit numeric sequence, followed by a letter suffix. Each letter suffix (A-F) represents a different combination of pore fill options and gloss levels.

Code	V1 TECHWOOD	Code	V2 PREMIUM TECHWOOD	Code	V3 PREMIUM VENEER
638	Blond Maple	647	White Pine	039	Pippy Oak *
628	Dark Mahogany	640	Ebony	044	Figured Sycamore
639	Light Cherry	642	Grigio		
641	Black Oak				
506	Maple		V2 NATURAL VENEER		
509	Cherry	020	Natural Oak		
512	Medium Walnut	038	Rustic Walnut *		
513	Medium Teak	017	Light Walnut		
514	Espresso	002	Bronze Cherry		
637	Natural	006	Maple		
644	Light Walnut	021	Peacock Green Walnut		
645	Dove Grey	022	Old English Walnut		
		037	Birch		

	Gloss Level	Fill Level
A	Low Gloss	Closed Pore
B	MediumGloss	Closed Pore
C	High Gloss	Closed Pore
D	Low Gloss	Open Pore
E	Medium Gloss	Open Pore
F	High Gloss	Open Pore

Edge Options for Veneers

WOOD	Complementary Wood
SYN	Complementary Synthetic
WPLY	Wood Ply Edge *
SPLY	Synthetic Ply Edge *

* Ply Edge available on Birch (037) worksurfaces.

*Note:

Overlay tops specified with a veneer top and/or edge are available in any V1, V2 or V3 finish except for the following veneers:

- Medium Teak (513)
- Dove Grey (645)
- Ebony (640)
- Grigio (642)

-Synthetic Edge option is available on worksurfaces, only.

-Finishes with * are available on worksurfaces only.

For more detailed information on Veneer finishes, please refer to the Wood Finish Matrix on the Knoll.com

Product Description	No Finish Option	Antenna Approved Fabrics	Knoll Core Solid Color Laminates	Knoll Core Patterned Laminates	Knoll Core Wood Grain Laminates	Accent Laminates	Color Core Laminates	Markerboard Laminate	Glass	Plated Finish	Knoll Core Paints	Accent Paints	Clear Paint	Knoll Core Veneers
Preconfigured Desks and Big Tables														
Antenna Leg Base Tables														
	Top Finish		*	*	*				*					*
	Edge Finish (Laminate Only)		*		*									*
	Leg/Cradle Finish									*	*	*	*	
Y-base Tables														
	Top Finish		*	*	*									*
	Edge Finish (Laminate Only)		*		*									*
	Base Finish										*	*		
	Grommet Finish										*	*		
Tops														
Antenna Tops														
	Top Finish		*	*	*									*
	Edge Finish (Laminate Only)		*		*									*
Overlay Tops														
	Top Finish							*						*
	Edge Finish (Laminate Only)													*
Desk and Table Support														
Rails											*	*	*	
Desk Connectors											*	*	*	
Desk Support Adapters											*	*	*	
Components for Reconfigurations											*	*		
Center Beam for Big Tables											*	*		
KnollExtra Sapper Mounts for Desks and Big Tables											*	*		
KnollExtra Keyboard Tray and CPU Holder Mounts	*													
End Legs and Intermediate Legs											*	*	*	
Standing Height Intermediate Leg Brace									*	*	*	*	*	
Table Desk End Legs														
	Leg Finish									*	*	*	*	
	Cradle Finish										*	*	*	
Modesty, Back Panels and End Panels														
	Surface Finish		*	*							*			*
	Bracket Finish										*		*	
Power and Communications														
Electrical Components	*													
Power Harness Mounting Brackets											*	*		
Raceway Covers											*	*	*	
Raceway End Caps											*	*	*	
Desktop Outlet Center	*													
Desk Mount Outlet Center Shroud											*	*		

Product Description	No Finish Option	Antenna Approved Fabrics	Knoll Core Solid Color Laminates	Knoll Core Patterned Laminates	Knoll Core Wood Grain Laminates	Accent Laminates	Color Core Laminates	Markerboard Laminate	Glass	Plated Finish	Knoll Core Paints	Accent Paints	Clear Paint	Knoll Core Veneers
Communications Outlet Mounts											*	*		
Cable Baskets and Mount Kits	*													
Vertical Wire Manager											*		*	
Cable Clips	*													
Fence Components														
Frames	*													
Individual Legs											*			
Stabilizer Foot											*			
Crown Top Caps											*			
Flat Ends											*			
Connectors											*			
Electrical Components	*										*			
Upper Outlet Covers											*			
Upper Cable Tray Covers											*			
Upper Slatwall Covers											*			
Upper/Lower/Full Painted Covers											*			
Upper/Lower/Full Laminate Covers			*	*										
Upper/Lower/Full Veneer Covers														*
Screens														
Desk Screens														
	Surface Finish	*	*	*	*			*						*
	Frame Finish Finish (Fabric Only)										*	*		
	Bracket Paint Finish										*	*		
Center Screens														
	Surface Finish	*	*	*	*			*	*					*
	Frame Finish Finish (Fabric Only)										*	*		
	Bracket Paint Finish										*	*		
Intermediate Screens														
	Surface Finish	*	*	*	*			*	*					*
	Frame Finish Finish (Fabric Only)										*	*		
	Bracket Paint Finish										*	*		
End Screens for Big Table														
	Surface Finish		*	*	*			*						
	Bracket Finish										*	*		
Enclave End Panel														
	Surface Finish		*	*	*			*						
	Bracket Paint Finish										*	*		
Fence Screens														
	Surface Finish	*	*	*	*			*	*					*
	Frame Finish Finish (Fabric Only)										*	*		
	Bracket Paint Finish										*	*		

Product Description	No Finish Option	Antenna Approved Fabrics	Knoll Core Solid Color Laminates	Knoll Core Patterned Laminates	Knoll Core Wood Grain Laminates	Accent Laminates	Color Core Laminates	Markerboard Laminate	Glass	Plated Finish	Knoll Core Paints	Accent Paints	Knoll Core Veneers
S Screens (See Material & Finish Options Page for Exceptions)													
	Surface Finish		*										
	Bracket Paint Finish										*	*	
Floorstanding L Screens													
	Vertical Surface Finish		*	*	*								*
	Bracket Paint Finish										*	*	
Storage Components													
Edge Pull										*	*	*	
Insert Pull										*			
Loop Pull											*	*	
Metal Pedestals													
	Drawer Front Finish		*	*	*						*	*	*
	Case Finish										*	*	
	Pull Finish									*	*	*	
Seat Cushion		*											
Pencil Tray	*												
Laptop Drawer											*	*	
Drawer Pad	*												
Cable Net	*												
Suspended Wood File													
	Case Finish Exterior		*	*									*
	Case Finish Interior		*	*	*								*
	Door Finish		*	*									*
	Pull Finish									*	*	*	
	Bracket Paint Finish										*	*	
Suspended Open Cabinets													
	Case Finish Exterior		*	*									*
	Case Finish Interior		*	*	*								*
	Bracket Paint Finish										*	*	
Extension Cabinets													
	Case Finish Exterior		*	*									*
	Case Finish Interior		*	*	*								*
Fabric Inserts for Extension Cabinets		*											
Mounting Brackets for Extension Cabinets											*	*	

Product Description	No Finish Option	Antenna Approved Fabrics	Knoll Core Solid Color Laminates	Knoll Core Patterned Laminates	Knoll Core Wood Grain Laminates	Accent Laminates	Color Core Laminates	Markerboard Laminate	Glass	Plated Finish	Knoll Core Paints	Accent Paints	Knoll Core Veneers
Stanchion Mounted Open/Enclosed Wood Cabinets													
Case Finish Exterior			*		*								*
Case Finish Interior			*		*	*							*
Stanchion Mounted Cabinet Door Sets													
Door Finish			*		*								*
Pull Finish										*	*	*	
Stanchion Mounted Open Metal Cabinets													
Stanchion Mounted Shared Metal Cabinets													
Case Finish											*		
Door Finish											*		
Pull Finish											*	*	
Platforms													
			*		*								*
Stanchions													
											*	*	
Cantilever Shelf													
Shelf Finish			*	*	*								*
Bracket Paint Finish											*	*	
Desk-End Open Cabinets													
Case/Shelves Finish			*		*								*
Bracket Paint Finish											*		
Desk-End Enclosed Cabinets													
Case/Door Finish			*		*								*
Pull Finish										*	*	*	
Bracket Paint Finish											*		
Desk-End Cabinet Shelf Set													
			*										*
Floorstanding L Cabinets													
Case/Shelves/Door Finish			*		*								*
Pull Finish										*	*	*	
File, Enclosed & Partially Enclosed Cabinets													
Case/Shelves/Door Finish			*		*								*
Pull Finish										*	*	*	
Open Shelf Cabinets													
Case/Shelves Finish			*		*								*
Shelf Finish			*		*								*
Wall Mounted Wood Cabinets													
Case Exterior Finish			*		*								*
Case Interior Finish			*		*	*							*

Product Description		No Finish Option	Antenna Approved Fabrics	Knoll Core Solid Color Laminates	Knoll Core Patterned Laminates	Knoll Core Woodgrain Laminates	Accent Laminates	Color Core Laminates	Markerboard Laminate	Glass	Plated Finish	Knoll Core Paints	Accent Paints	Knoll Core Veneers	Anodized Aluminum	Knoll Bright White Paint Only	Knoll Silver Paint Only	Black/White	
Wall Mounted Wood Cabinet Door Sets																			
	Door Finish			*		*								*					
	Pull Finish										*	*	*						
	LED Task Light	*																	
Wall-Mounted Metal Enclosed Cabinets																			
	Case Finish											*							
	Door Finish											*							
	Pull Finish											*	*						
	LED Task Light	*																	
Interpole																			
Poles																			
	Pole Extrusion														*	*			
	Covers														*	*			
	Leveler Caps (see Price List page for exceptions)										*								*
Electrical Components																			
	Power Components	*																	
	Duplex Outlets																		*
	Edge Liner	*																	
Accessories																			
	Outlet Covers														*	*			
	Cable Clips	*																	
	Ceiling Tile Trim Kit															*	*		
	Extension Pole Hardware Kit	*																	
	Cantilever Shelf			*		*								*					
	Shelf Support Bracket										*	*							
	Coat Hook											*							
	Bag Hook											*							
	Round Platform	*																	
	Round Platform L-Bracket										*	*							
Screens																			
	Surface Finish		*						*	*									
	Frame Finish														*	*			
Storage																			
	Case Finish Exterior			*		*								*					
	Case Finish Interior			*		*	*												
	Door Finish			*		*								*					
	Pull Finish										*	*	*						
	Support Bracket Paint Finish										*	*							

KnollTextiles Approved for Screens and Fabric Inserts

Grade 10

- Annex (W1360)*
- Beacon (W1597)*
- Broadcloth II (W1619)
- Circuit (W1754)*
- Element (W1077)
- Growth Spurt (W692)
- Messa (W2061)
- Pivot (W1926)
- Skylark (W1718)
- Symbolic Details (W693)
- Tailor Made II (W1610)*
- Twister (W1923)
- Versatility (W432)

Grade 20

- Circle Line (W1146)
- Criss Cross (W305)

- Delite (K2026)
- Edo (W2111)
- Logic (W1318)
- Mainframe (W1783)
- Nematic II (W1620)
- Photon II (W1695)
- Reflect (W884)

Grade 30

- Micro (W465)
- Relay (W1020)

Grade 40

- Amplify (W1215)
- Bandwidth (W1219)
- Crossroad (K2085)
- Hourglass (K1523)
- Palladium (W1030)

Note: All applied textiles are directional. Fabric is only applied railroaded (RR) for fabric screens wider than 60" wide. If there are a mix of screens narrower than 60" and wider than 60" on a single order, narrower screens must be specified through CPD to have fabric applied railroaded to match.

COM (Customer's Own Material)

COM can be applied to Antenna Workspaces product on a select basis. Please consult your Knoll Customer Service Representative for details on the COM approval process and testing requirements. Pricing for COM fabrics is at Grade 10.

Note: Always contact your Customer Service Representative prior to sending any COM (including pre-approved KnollTextiles) to the manufacturing facility.

COM Yardage Requirements for Screens and Fabric Inserts

The total yardage is for both sides of the screen.

*Select colors not available

	Pattern Number	Total Yards Required			
		66" wide COM	54" wide COM	Railroaded 66" wide COM	Railroaded 54" wide COM
DESK MOUNTED SCREENS	YPSB3824F	1.14	1.14	1.48	1.48
	YPSB3827F	1.14	2.28	1.64	1.64
	YPSB3830F	1.14	2.28	1.8	1.8
	YPSB3836F	2.28	2.28	2.14	2.14
	YPSB3842F	2.28	2.28	2.48	2.48
	YPSB3848F	2.28	2.28	2.8	2.8
	YPSB3853F	2.28	3.1	3.1	3.1
	YPSB3854F	2.28	3.14	3.14	3.14
	YPSB3859F	2.28	3.44	3.44	3.44
	YPSB3860F	2.28	3.48	3.48	3.48
	YPSB3865FRR	3.78	3.78	3.78	3.78
	YPSB3866FRR	3.8	3.8	3.8	3.8
	YPSB3872FRR	4.14	4.14	4.14	4.14
	YPSB3224F	0.96	0.96	1.48	1.48
	YPSB3227F	0.96	1.9	1.64	1.64
	YPSB3230F	0.96	1.9	1.8	1.8
	YPSB3236F	1.9	1.9	2.14	2.14
	YPSB3242F	1.9	1.9	2.48	2.48
	YPSB3248F	1.9	1.9	2.8	2.8
	YPSB3253F	3.1	3.1	1.9	0
	YPSB3254F	1.9	3.14	3.14	3.14
	YPSB3259F	1.9	3.44	3.44	3.44
	YPSB3260F	1.9	3.48	3.48	3.48
	YPSB3265FRR	3.78	3.78	3.78	3.78

	Pattern Number	Total Yards Required			
		66" wide COM	54" wide COM	Railroaded 66" wide COM	Railroaded 54" wide COM
DESK MOUNTED SCREENS	YPSB3266FRR	3.8	3.8	3.8	3.8
	YPSB3272FRR	4.14	4.14	4.14	4.14
	YPSB3277FRR	4.44	4.44	4.44	4.44
	YPSB2624F	0.8	0.8	0.74	1.48
	YPSB2627F	0.8	1.58	0.82	1.64
	YPSB2630F	0.8	1.58	0.9	1.8
	YPSB2636F	1.58	1.58	1.08	2.14
	YPSB2642F	1.58	1.58	1.24	2.48
	YPSB2648F	1.58	1.58	1.4	2.8
	YPSB2654F	1.58	3.14	1.58	3.14
	YPSB2660F	1.58	3.48	1.74	3.48
	YPSB2666FRR	1.9	3.8	1.9	3.8
	YPSB2672FRR	2.08	4.14	2.08	4.14
	YPSB2024F	0.62	0.62	0.5	0.74
	YPSB2027F	0.62	1.22	0.56	0.82
	YPSB2030F	0.62	1.22	0.6	0.9
	YPSB2036F	1.22	1.22	0.72	1.08
	YPSB2042F	1.22	1.22	0.84	1.24
	YPSB2048F	1.22	1.22	0.94	1.4
	YPSB2054F	1.22	1.58	1.06	1.58
	YPSB2060F	1.22	1.74	1.16	1.74
	YPSB2066FRR	1.28	1.9	1.28	1.9
YPSB2072FRR	1.38	2.08	1.38	2.08	

	Pattern Number	Total Yards Required			
		66" wide COM	54" wide COM	Railroaded 66" wide COM	Railroaded 54" wide COM
FENCE SCREENS	YPSF2124F	0.66	0.66	0.74	0.74
	YPSF2136F	1.3	1.3	1.08	1.08
	YPSF2148F	1.3	1.3	1.4	1.4
	YPSF2160F	1.3	1.74	1.74	1.74
	YPSF2172FRR	2.08	2.08	2.08	2.08
	YPSF1424F	0.46	0.46	0.38	0.5
	YPSF1436F	0.92	0.92	0.54	0.72
	YPSF1448F	0.92	0.92	0.7	0.94
	YPSF1460F	0.92	1.16	0.88	1.16
	YPSF1472FRR	1.04	1.38	1.04	1.38
	YPSF2424F	0.74	0.74	0.74	0.74
	YPSF2436F	1.48	1.48	1.08	1.08
	YPSF2448F	1.48	1.48	1.4	1.4
	YPSF2460F	1.48	1.74	1.74	1.74
	YPSF2472FRR	2.08	2.08	2.08	2.08
	YPSF1724F	0.56	0.56	0.5	0.74
	YPSF1736F	1.1	1.1	0.72	1.08
	YPSF1748F	1.1	1.1	0.94	1.4
	YPSF1760F	1.1	1.74	1.16	1.74
	YPSF1772FRR	1.38	2.08	1.38	2.08

	Pattern Number	Total Yards Required			
		66" wide COM	54" wide COM	Railroaded 66" wide COM	Railroaded 54" wide COM
BIG TABLE SCREENS	YPSC2124F	0.66	0.66	0.74	0.74
	YPSC2130F	0.66	1.3	0.9	0.9
	YPSC2136F	1.3	1.3	1.08	1.08
	YPSC2142F	1.3	1.3	1.24	1.24
	YPSC2148F	1.3	1.3	1.4	1.4
	YPSC2154F	1.3	1.58	1.58	1.58
	YPSC2160F	1.3	1.74	1.74	1.74
	YPSC2166FRR	1.9	1.9	1.9	1.9
	YPSC2172FRR	2.08	2.08	2.08	2.08
	YPSC1424F	0.46	0.46	0.38	0.5
	YPSC1430F	0.46	0.92	0.46	0.6
	YPSC1436F	0.92	0.92	0.54	0.72
	YPSC1442F	0.92	0.92	0.62	0.82
	YPSC1448F	0.92	0.92	0.7	0.94
	YPSC1454F	0.92	1.06	0.8	1.06
	YPSC1460F	0.92	1.16	0.88	1.16
	YPSC1466FRR	0.96	1.28	0.96	1.28
	YPSC1472FRR	1.04	1.38	1.04	1.38





	Pattern Number	Total Yards Required			
		66" wide COM	54" wide COM	Railroaded 66" wide COM	Railroaded 54" wide COM
INTERMEDIATE SCREENS	YPSI1416F	0.28	0.42	0.28	0.36
	YPSI1418F	0.28	0.42	0.3	0.4
	YPSI1419F	0.28	0.42	0.32	0.42
	YPSI1422F	0.42	0.42	0.36	0.46
	YPSI1424F	0.42	0.42	0.38	0.5
	YPSI1427F	0.42	0.84	0.42	0.56
	YPSI1428F	0.42	0.84	0.44	0.58
	YPSI1430F	0.42	0.84	0.46	0.62
	YPSI1436F	0.84	0.84	0.54	0.72
	YPSI2116F	0.4	0.6	0.36	0.54
	YPSI2118F	0.4	0.6	0.4	0.58
	YPSI2119F	0.4	0.6	0.42	0.62
	YPSI2122F	0.6	0.6	0.46	0.7
	YPSI2124F	0.6	0.6	0.5	0.76
	YPSI2127F	0.6	1.2	0.56	0.84
	YPSI2128F	0.6	1.2	0.58	0.86
	YPSI2130F	0.6	1.2	0.62	0.92
	YPSI2136F	1.2	1.2	0.72	1.08

	Pattern Number	Total Yards Required			
		66" wide COM	54" wide COM	Railroaded 66" wide COM	Railroaded 54" wide COM
FABRIC INSERTS	YSDXFB18	0.15	0.22	0.14	0.18
	YSDXFB24	0.22	0.22	0.18	0.24
	YSDXFB27	0.22	0.43	0.2	0.26
	YSDXFB30	0.22	0.43	0.22	0.29
	YSDXFB3015	0.22	0.43	0.22	0.29
	YSDXFB36	0.43	0.43	0.26	0.35
	YSDXFB53	0.22	0.43	0.2	0.27
	YSDXFB59	0.22	0.43	0.22	0.3
	YSDXFB5915	0.22	0.43	0.22	0.3
	YSDXFB65	0.43	0.43	0.24	0.32
	YSDXFB6515	0.43	0.43	0.24	0.32

	Pattern Number	Total Yards Required			
		66" wide COM	54" wide COM	Railroaded 66" wide COM	Railroaded 54" wide COM
INTERPOLE SCREENS	IPSC6436NLF	1.83	1.83	1.09	n/a
	IPSC6436TLF	1.83	1.83	1.09	n/a
	IPSC6442NLF	1.83	1.83	1.26	n/a
	IPSC6442TLF	1.83	1.83	1.26	n/a
	IPSC6448NLF	1.83	1.83	1.42	n/a
	IPSC6448TLF	1.83	1.83	1.42	n/a
	IPSC6454NLF	1.83	n/a	1.59	n/a
	IPSC6454TLF	1.83	n/a	1.59	n/a
	IPSC6460NLF	1.83	n/a	1.76	n/a
	IPSC6460TLF	1.83	n/a	1.76	n/a

**Knoll Textiles Options
for Mobile Pedestal
Seat Cushions**

Grade A

Alignment 
Beacon
Bocce 
Cat's Cradle 
Chance
Common Ground 
Computer Cloth 
Crossroad
Delite
Dristi
Heavy Metal
Hourglass
Mariner
Monarch 
Prep 
Presto 
Reflect
Soliloquy
Sonnet 
Stacks
Trophy 

Grade B

Abacus 
Argyle
Backdrop
Bank Shot 
Belize
Bistro 
Boundary 
Cameo
Chroma 
Chronicle 
Close Knit
Diva
Dovetail 
Ferry
Forza
Framework 
Galla II 
Grande
Grandview
Helios
Holbrook
Journey 
Keaton
Knoll Felt 
Knoll Hopsack 
Ludlow
Lyric
Melody

Mini Stitch 
Night Life
Paradigm
Petal Pusher
Pogo 
Pop
Prairie
Prim 
Radiance
Ricochet 
Roam
Rush Hour
Soiree 
Spark 
Spree 
Summit
Sutton 
Synth 
Tabloid
Tinge
Utmost
Venue
Versa 
Vinyl
Wide Angle 
Westwood
Yeni
Zipline 

Grade C

Atlas
Axiom
Baxter
Biota 
Cairo
Charm
Circa
Classic Boucle 
Dahlia CR
Dune
Durand
Earthwork 
Empire Stripe
Entourage 
Essence
Fable CR
Fibra
Fox Trot CR
Greenwich
Hudson
Kora CR
Lagos
Legend CR
Lore CR
Magnolia
Metro
Milestone

Moto CR
Noble
Palisade
Panache CR
Quark
Regard CR
Roundtrip
Sahara
Sandpiper CR
Sequin CR
Sinclair
Smart
Spectator 
Star Struck
Stepping Stones
Swing
Tight Rope
Tilden
Treble CR
Tower Grid
Vibe
Wit
Zari CR

Grade D

Compass CR
Coterie
Eclat Weave
Hologram
Ikat Stripe
Island
Masquerade
Menagerie
Obi
Origins
Theory
Woodland
Zoom


Grade E

Aegean
Demure
Highland
Ikat Square
Kampala
Katazome
Kimono
Mamba
Marquee
Midpoint
Meroe
Nature Walk
Sherman
Tryst
Vatera
Whip

Grade F

Atelier
Biscayne
Century
Coco
Cornaro
Glider
Icon
Jasmine
Intrigue
Liberty
Mod Plaid
Rivington
Soon
Topography
Totem
Trivoli
Tweed Frieze

Grade G

Amore
Cuddle Stripe
Djenne
Gibson
Haze
Kinabalu
Kingston
Melange
Petite Floral
Rattan
Serendipity
Spencer
Striae Stripe
Utrillo
Ultrasuede 

Grade H

Arno 
Firefly
Haiku

Grade I

Aswan
Cato
Dynamic
Limani

**Spinneybeck Leather
Options for Mobile
Pedestal Seat Cushions**

Grade U

Volo

Grade V

Andes
España
Maremma
Velluto Pelle

Grade W

Alaska
Amazon
Arizona
Derby
Sabrina

Grade X

Ducale
Ducale Velours

Grade Y

Cervo
Copenhagen
Cordovan
Distressed
Marissa
Prima
Riva
Saddle
Salon

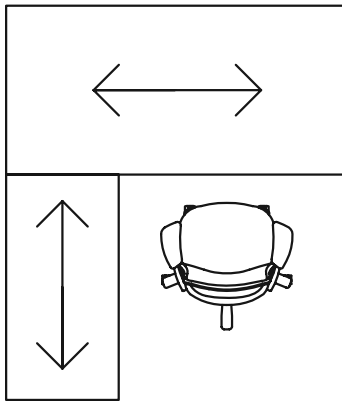
Pedestal cushions are upholstered (from the front to the back of the pedestal) with the fabric direction matching the textile sample.

**COM (Customer's
Own Material)**

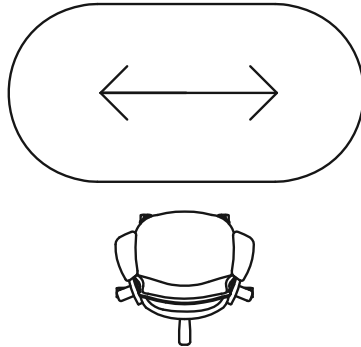
COM can be applied to Antenna Workspaces product on a select basis. Pricing for COM fabrics is at Grade B.

Note: Always contact your Customer Service Representative prior to sending any COM (including pre-approved KnollTextiles) to the manufacturing facility. Yardage requirements assume the fabric is 66" wide. If the COM is less than 66" wide, add 15% to the total yardage. For Customers Own Material (COM) applications, specify 0.75 yards of fabric for 17" deep mobile pedestal seat cushions and 0.90 yards for 23" deep seat cushions.

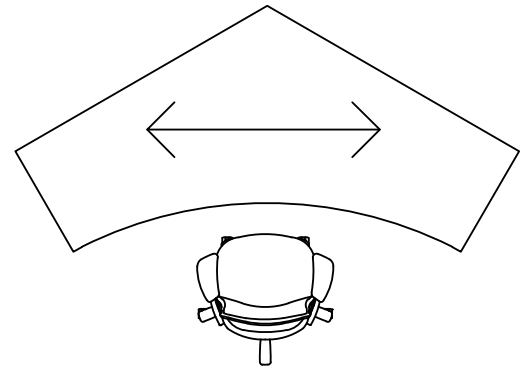
 = CAL 133 Pre-approved



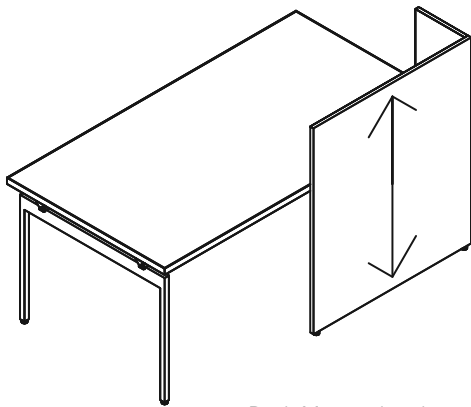
Rectangular Tops



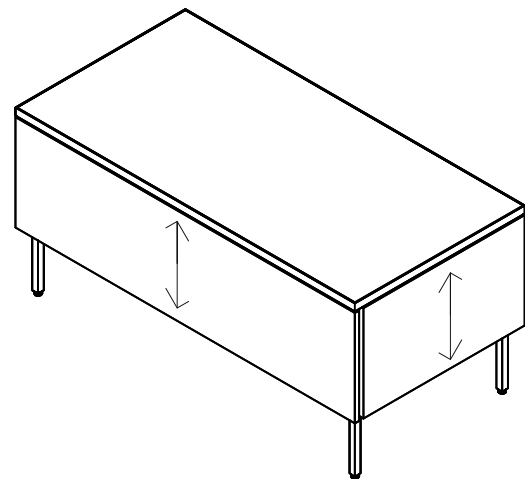
Track Shaped Tables



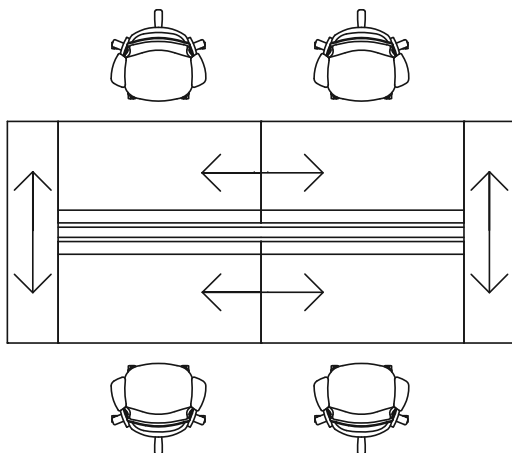
120 Degree Tops



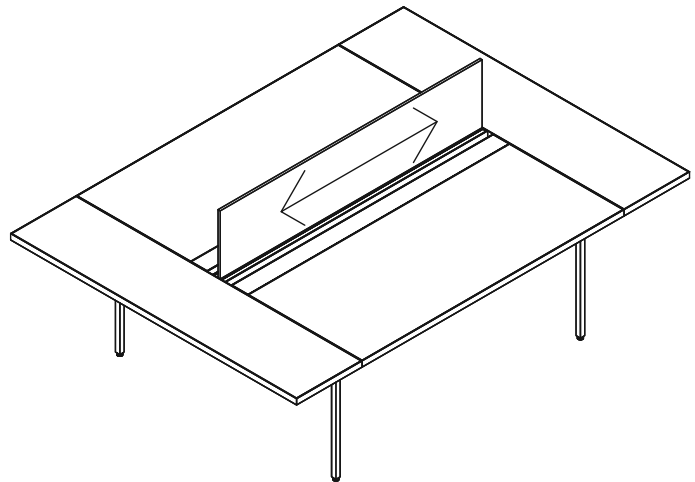
Desk Mounted and Floorstanding Screens



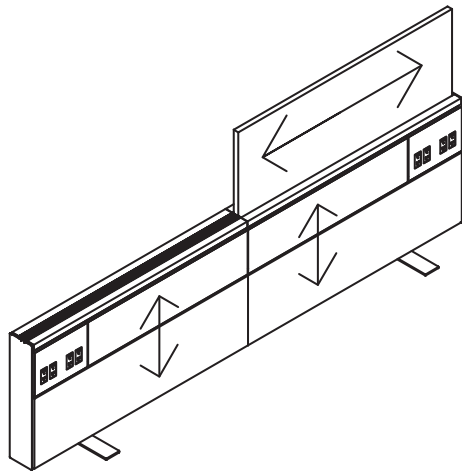
Modesty and End Panels



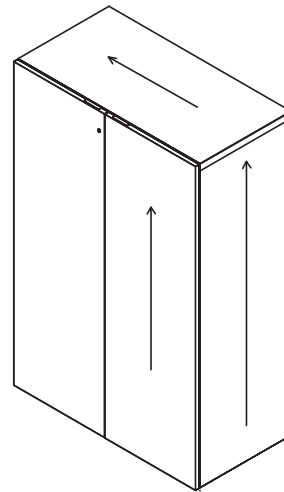
Big Table with Extension Tops or Cabinets



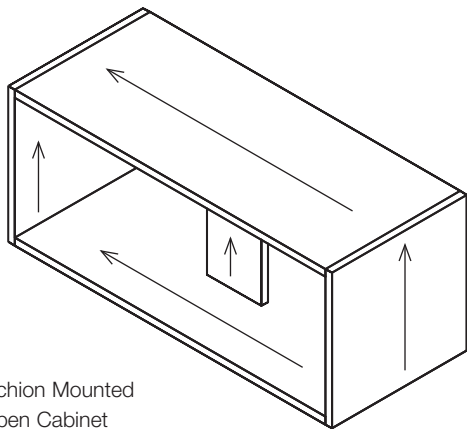
Big Table and Fence Screens



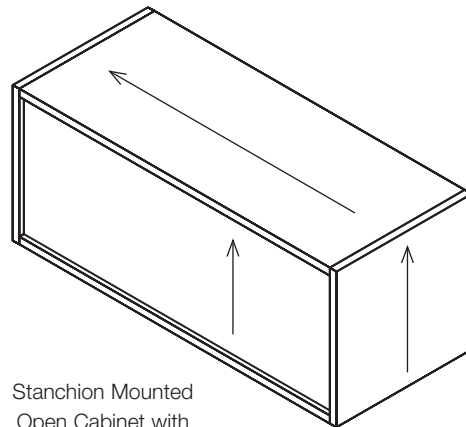
Fence Covers
and Screens



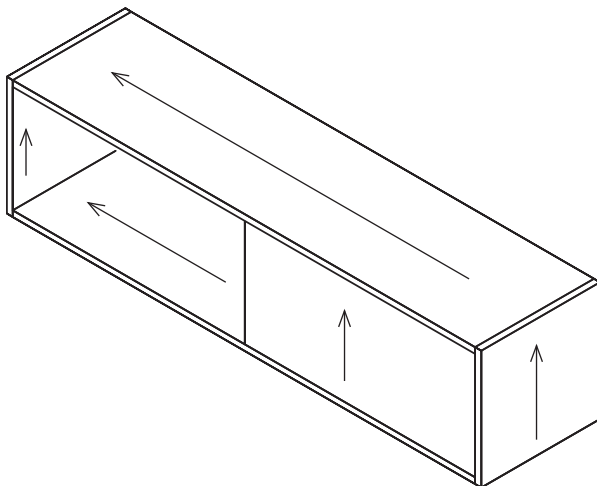
Floorstanding Cabinets



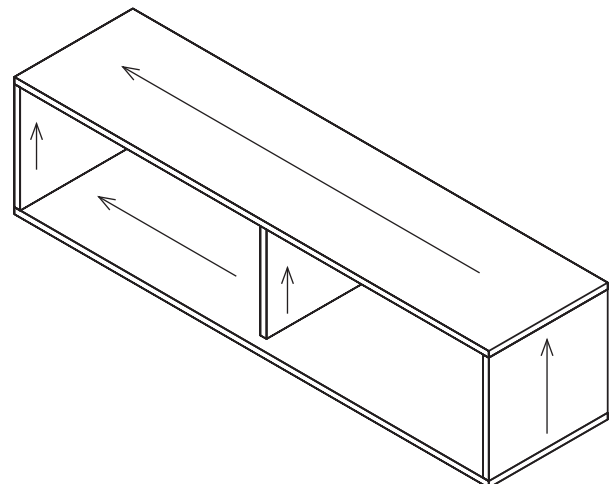
Stanchion Mounted
Open Cabinet



Stanchion Mounted
Open Cabinet with
Open Front with
Enclosed Back



Stanchion Mounted Shared Cabinet



Wall Mount Open Cabinet

Wall Mounting Suggestions

The following information is provided only as a guide, and represents minimum recommendations only. Knoll does not accept responsibility for the attachment of any Knoll product to a Customer's site wall. Wall specification/construction is the responsibility of the Customer and its structural engineer/architect. Failure to properly attach Knoll products to adequate wall structures can lead to property damage and/or personal injury.

You should consult your own structural engineers and/or architects and must not rely on the information provided herein.

It is the responsibility of the Customer and its structural engineers/architects to verify that the permanent structural walls (studs, blocks, solid masonry, etc.) on which the Knoll products are intended to be mounted

are designed appropriately to support the product weight, PLUS 3 lbs. per linear inch for each useable shelf length

NOTE: A cabinet's top is considered a "useable shelf" and MUST be included in the calculation of the total load for an overhead cabinet.

It is the responsibility of the Customer and its structural engineer/architects to specify the fasteners and method for attaching the Knoll supplied wall mounting cleat, bracket, frame, etc. to the supporting wall and to confirm that the installers have adhered to these specifications. For all local building standards and codes, and additional requirements (including, but not limited to, seismic conditions) the Customer should always consult local code agencies.

	EXISTING CONSTRUCTION					
	NEW CONSTRUCTION	Cinder Block or Poured Concrete Masonry Wall	Wood Stud Wall, the studs being FULL HEIGHT to the roof/floor above	Wood Stud Wall, the studs being only Ceiling Height	Steel Stud Wall, the studs being FULL HEIGHT to the roof/floor above	Steel Stud Wall, the studs being only Ceiling Height
Stud Specification	Wood studs, grade #2 or better, 3 1/2" minimum width, OR Metal studs, minimum 25 gage thickness, 3 5/8" minimum width	The wall must be a minimum of 6" thick, and must be full height to the roof/ floor structure above	Wood studs must be Grade #2, or better, 3 1/2" minimum width	Wood studs must be Grade #2, or better, 3 1/2" minimum width	Metal studs must be minimum 25 gage thickness, 3 5/8" minimum width	Metal studs must be minimum 25 gage thickness, 3 5/8" minimum width
Stud Centers	Metal and wood studs must be spaced at 16" c/c maximum	N/A	Wood studs must be spaced at 16" c/c maximum	Wood studs must be spaced at 16" c/c maximum"	Metal studs must be spaced at 16" c/c maximum	Metal studs must be spaced at 16" c/c maximum
Stud Height	Metal and wood studs must extend upwards, and be securely attached to the roof/ floor structure above			Wood studs must be braced above the ceiling, and be securely attached to the roof/floor structure above Affix #2 grade 'cap' across the top of the studs, then place diagonal studs from the top cap up to underside of the roof/ floor structure above		Metal studs must be braced above the ceiling, and be securely attached to the roof/floor structure above Affix metal bracing 'cap' across the top of the studs, then place diagonal studs from the top cap up to underside of the roof / floor structure above
Mounting the Knoll Supplied Cleat, Bracket, Frame, etc*	Insert a 2" X 6" wood block, #2 grade or better, [or a Danback™ flexible wood backing system] horizontally between each of the studs to accommodate the full width of the cabinet, and beyond to the next stud. Fasten the wood block to each stud using three screws at the ends of each block. (Fasten the Danback™ as directed by the manufacturer) Fasten the Knoll supplied wall mounting cleat, bracket, frame, etc directly to each wood block every 6" For wall mounting structures that have a rectangular frame-like configuration: fasten the top horizontal element of the frame to the wood blocking every 6", and fasten the lower horizontal element to each wall stud, using one fastener per stud.	Fasten the Knoll supplied cabinet wall mounting cleat, bracket, frame, etc. directly to the masonry wall every 6" For wall mounting structures that have a rectangular frame-like configuration: fasten the top horizontal element of the frame to the wall every 6", and fasten the lower horizontal element to the wall every 16"	In the desired location of the cabinet mounting rail, remove an 8" high section of drywall the width of the cabinet, and beyond to the next stud. Insert a 2" X 6" wood block, #2 grade or better, horizontally between each of the exposed studs. Fasten the wood block to each stud using three screws at the ends of each block. Replace the drywall and repair as desired. Fasten the Knoll supplied wall mounting cleat, rail, frame, etc directly to the wood block every 6" For wall mounting structures that have a rectangular frame-like configuration: fasten the top horizontal element of the frame to the wood blocking every 6", and fasten the lower horizontal element to each wall stud, using one fastener per stud.	In the desired location of the cabinet mounting rail, remove an 8" high section of drywall the width of the cabinet, and beyond to the next stud. Insert a 2" X 6" wood block, #2 grade or better, horizontally between each of the exposed studs. Fasten the wood block to each stud using three screws at the ends of each block. Replace the drywall and repair as desired. Fasten the Knoll supplied wall mounting cleat, rail, frame, etc directly to the wood block every 6" For wall mounting structures that have a rectangular frame-like configuration: fasten the top horizontal element of the frame to the wood blocking every 6", and fasten the lower horizontal element to each wall stud, using one fastener per stud.	In the desired location of the cabinet mounting rail, remove an 8" high section of drywall the width of the cabinet, and beyond to the next stud. Insert a 2" X 6" wood block, #2 grade or better, [or a Danback™ flexible wood backing system] horizontally between each of the exposed studs. Fasten the wood block to each stud using three screws at the ends of each block. Replace the drywall and repair as desired. Fasten the Knoll supplied wall mounting cleat, rail, frame, etc directly to the wood block every 6" For wall mounting structures that have a rectangular frame-like configuration: fasten the top horizontal element of the frame to the wood blocking every 6", and fasten the lower horizontal element to each wall stud, using one fastener per stud.	In the desired location of the cabinet mounting rail, remove an 8" high section of drywall the width of the cabinet, and beyond to the next stud. Insert a 2" X 6" wood block, #2 grade or better, [or a Danback™ flexible wood backing system] horizontally between each of the exposed studs. Fasten the wood block to each stud using three screws at the ends of each block. Replace the drywall and repair as desired. Fasten the Knoll supplied wall mounting cleat, rail, frame, etc directly to the wood block every 6" For wall mounting structures that have a rectangular frame-like configuration: fasten the top horizontal element of the frame to the wood blocking every 6", and fasten the lower horizontal element to each wall stud, using one fastener per stud.
*Graham Wall Hung Shelf	The Graham Wall Hung Shelf Bracket (and others like it) requires full support behind the full height of the bracket This should be accomplished by insertion of additional 2"X 6" wood blocking between the studs as defined above	Fasten the Knoll supplied wall mounting brackets directly to the masonry wall, using the holes provided in each bracket	The Graham Wall Hung Shelf Bracket (and others like it) requires full support behind the full height of the bracket This should be accomplished by insertion of additional 2"X 6" wood blocking between the studs as defined above	The Graham Wall Hung Shelf Bracket (and others like it) requires full support behind the full height of the bracket This should be accomplished by insertion of additional 2"X 6" wood blocking between the studs as defined above	The Graham Wall Hung Shelf Bracket (and others like it) requires full support behind the full height of the bracket This should be accomplished by insertion of additional 2"X 6" wood blocking between the studs as defined above	The Graham Wall Hung Shelf Bracket (and others like it) requires full support behind the full height of the bracket This should be accomplished by insertion of additional 2"X 6" wood blocking between the studs as defined above
Fasten the Knoll supplied wall cleat with...	#10 x 2 1/2" Grabber Woodys Screws or equiv. @ 6" c/c, screwed directly into the wood blocking	3/16" x 3 1/2" Tapcon Masonry Screws or equiv. @ 6" c/c with 1-1/4" embedment, screwed directly into the masonry wall	#10 x 2 1/2" Grabber Woodys Screws or equiv. @ 6" c/c, screwed directly into the wood blocking	#10 x 2 1/2" Grabber Woodys Screws or equiv. @ 6" c/c, screwed directly into the wood blocking	#10 x 2 1/2" Grabber Woodys Screws or equiv. @ 6" c/c, screwed directly into the wood blocking	#10 x 2 1/2" Grabber Woodys Screws or equiv. @ 6" c/c, screwed directly into the wood blocking

Simple. Open. Adaptable.

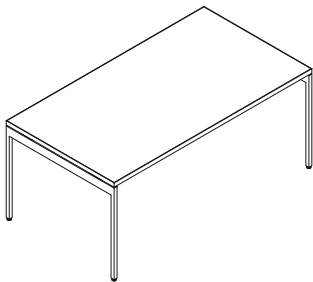
Antenna Workspaces, the integrated solution to the office, supports every mode of work—focused, shared and team—and facilitates the transitions between them. Knoll research confirms that the most progressive organizations seek innovation and increased productivity through collaboration: mentoring, teamwork and “unplanned” interaction. The challenge is to create an environment that complements individual, focused work settings with those that support collaborative work and informal, social interaction.

Antenna Workspaces comprises a range of solutions that integrate all these modes of work:

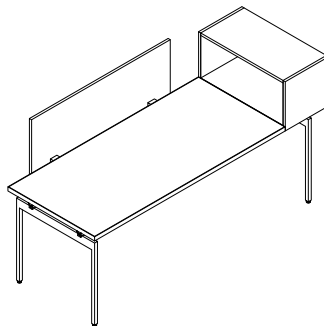
- **Focus** is an individual work mode that supports concentration with minimal interruptions.
- **Share** is a collaborative work mode that can occur in individual or group spaces and centers on the casual exchange of ideas.
- **Team** is a group work mode that occurs in a range of meeting spaces, both formal and informal.

Basic Elements

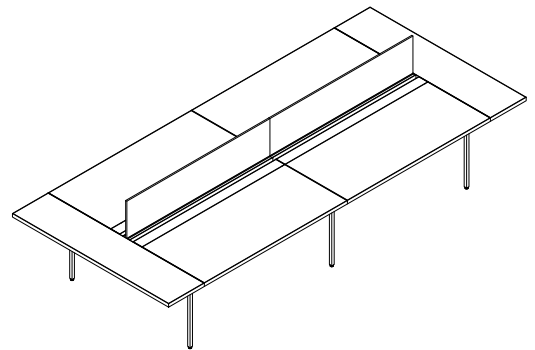
The fundamental elements of Antenna are Tables, Desks and Big Tables, fully integrated Fence spine, power components, Template Storage System, Screens and complementary Antenna storage components. To simplify planning and specifications, desks, tables, big table and fence are orderable as complete kits or as components.



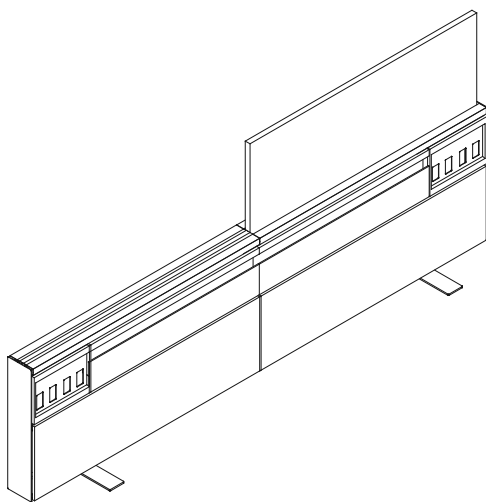
Table



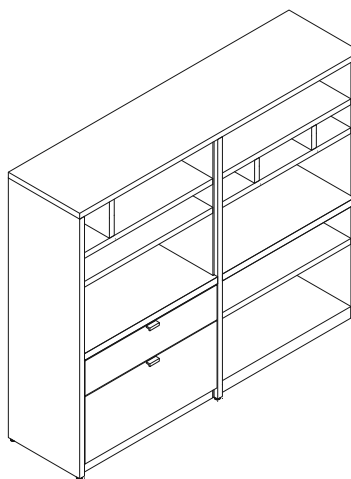
Desk



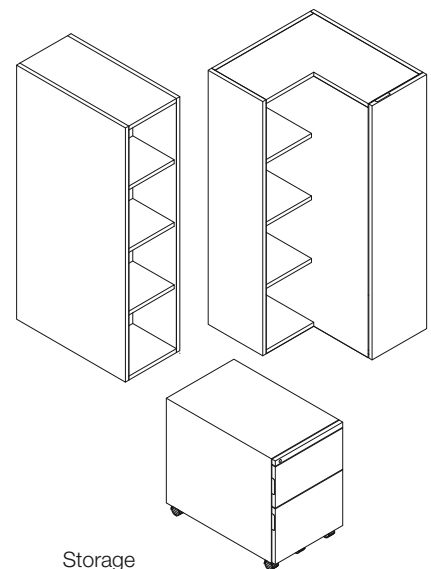
Big Table



Antenna Fence



Antenna Components for the Template Storage System



Storage

Tables and Desks

Antenna begins with a simple structure—the Table—that is inherently collaborative. The top rests on a base composed of two steel end legs and two tubular rails that span across or between them, linked by cast aluminum cradles. The result is an extraordinarily strong table that can support tops up to 4' x 8'.

Antenna tops are laminate with a 2.8mm abs or veneer with veneer edge with a comfortable radius top and bottom edge with crisp corners. Also available are distinctive overlay tops featuring full overlay top veneer or solid core laminate with a veneer edge and larger radiused corners and underside edges.

The table is transformed into a Desk with the addition of storage, screens or power components that make one side the primary user edge. Desks can be linked end-to-end sharing a leg, or back to back with dual legs. A perpendicular return desk can be attached at any point to form L-shape or U-shape desk arrangements.

Desk top dimensions are 36"-96" wide, in 6" increments, and primary depths are 24", 27", 30" and 36"D. Desk supports and a full range of tops are also available in 18", 42" and 48" depths for returns and meeting tables.

The continuous support rails enable suspended storage or can be extended beyond the primary desk top to support desk extension cabinets or contrasting extension tops. Modular power components and cable baskets can be mounted to the rail to distribute power and communications between linked desks. Screens attach directly to the top anywhere along the back or end of a desk to provide partial modesty and enclosure above the top to either 42" or 49" horizons. A continuous 1 1/4" cord drop between the inside of a screen and the edge of the top facilitates wire management and enables clamp on monitor arms or a convenient desktop power/communications outlet module at any point.

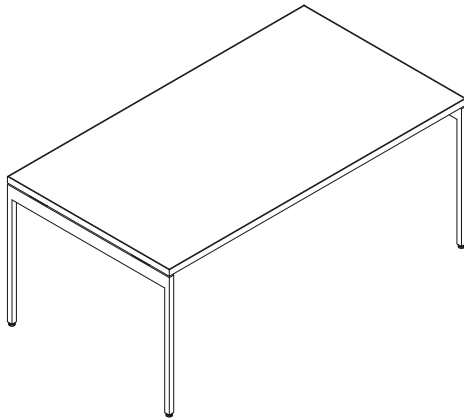
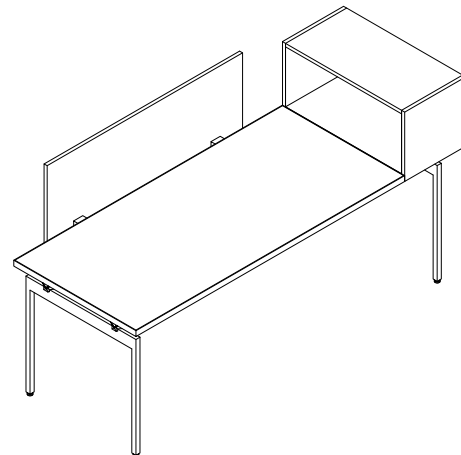


Table Desk



Desk with Extension Cabinet and Screen

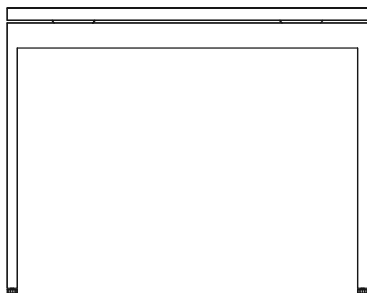
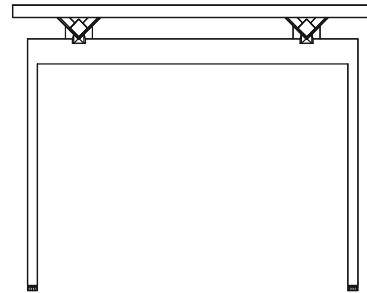


Table Desk End Elevation



Desk End Elevation

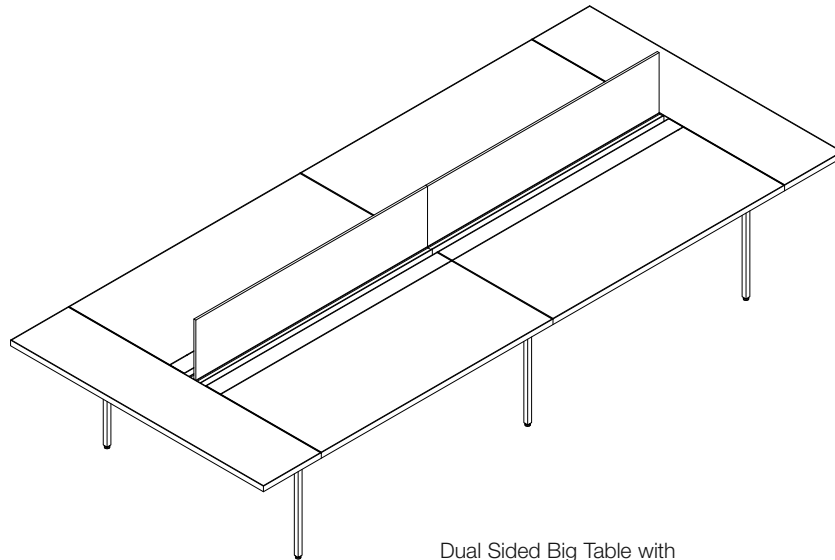
The Big Table

Back-to-back desk tops with shared legs can be linked to form the Big Table: a collaborative work setting that supports groups of any size. The centerpiece of the big table is the center beam that spans across legs with a cord drop on either side. The center beam enables upmounted screens, platforms and storage, suspended power components,

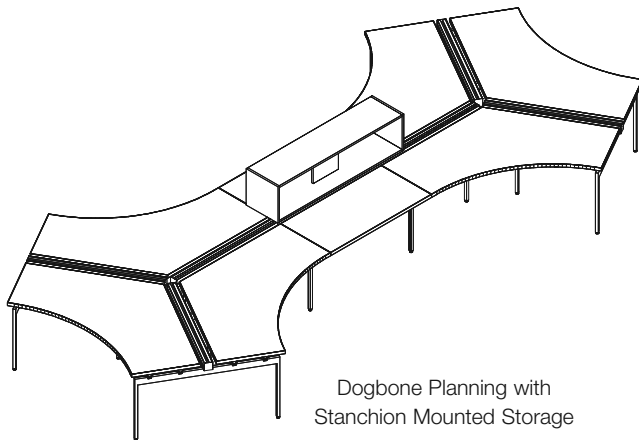
and independent support of cantilevered shelves and monitor arms on either side. Because the rail structure is the same as that of desks, returns can be attached to the big table at any point. As with desks, extended rails at the end positions of a big table support extension tops or storage cabinets above or below the big table tops.

Single sided big tables are also available for increased big table planning flexibility. Single sided big tables provide the intelligence of the center beam in a shallower depth big table

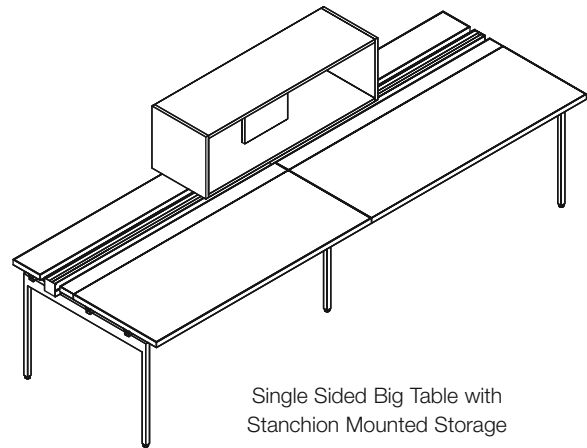
Big table tops are 18", 24", 27", 30" or 36" deep and in widths from 48"-84". Antenna and Overlay tops for the big table are available with a 3 ¾" continuous hinged surface at the back for easier access to power and communications outlets. In addition, Overlay tops can be ordered as "benching" tops with crisp corners for a continuous front edge where adjacent tops meet.



Dual Sided Big Table with Extension Tops and Screens



Dogbone Planning with Stanchion Mounted Storage



Single Sided Big Table with Stanchion Mounted Storage

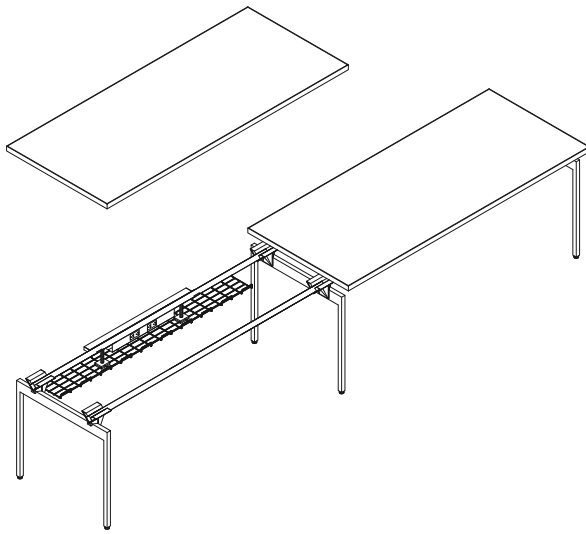
Power Distribution in Antenna Workspaces

Throughout linked desks, big table or fence planning, Antenna modular power systems can be specified to distribute four or six circuits of power from a single point of supply. The system consists of a power harness that accepts preconfigured duplex outlets on any circuit as well as up to four jumper cables to link power to another harness. Modular or hardwire infeeds to satisfy national and local electrical codes also connect into the power harness.

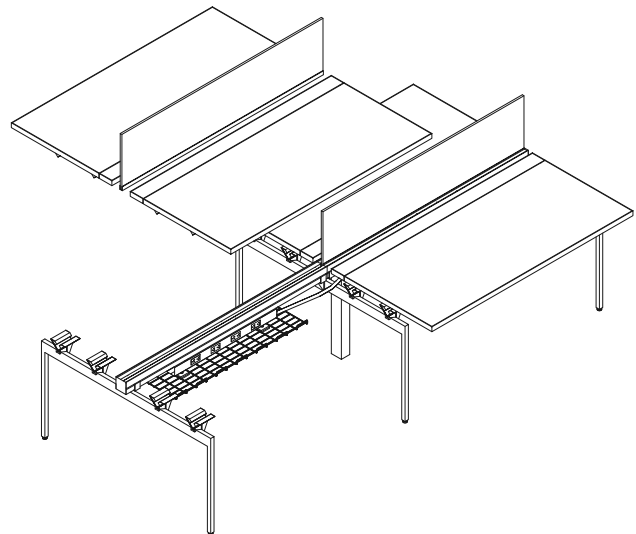
For desks, a power harness and mounting bracket are suspended from a desk rail. Two power harness options are available, one accepting up to two snap-in duplex outlets on each face and the other up to four duplex outlets on each face. Separate covers enclose the harness. Power harness mounting bracket can also accept a data/communications box adjacent to the power harness. Jumpers connect from one harness to the next in linked configurations, and can branch to support power under returns or back-to-back desks.

For big tables, the same power harnesses and jumpers are suspended directly from the center beam.

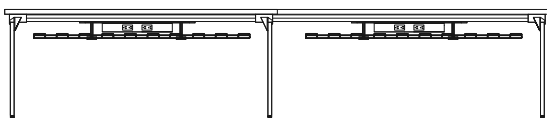
Power infeeds in desks and big tables can be managed vertically in a channel attached to the power harness adapter bracket or center beam.



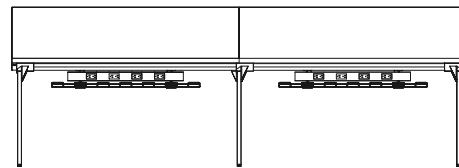
Desk with Electrical Components



Big Table with Electrical Components



Elevation of Desk Electrical Components



Elevation of Big Table Electrical Components

Fence

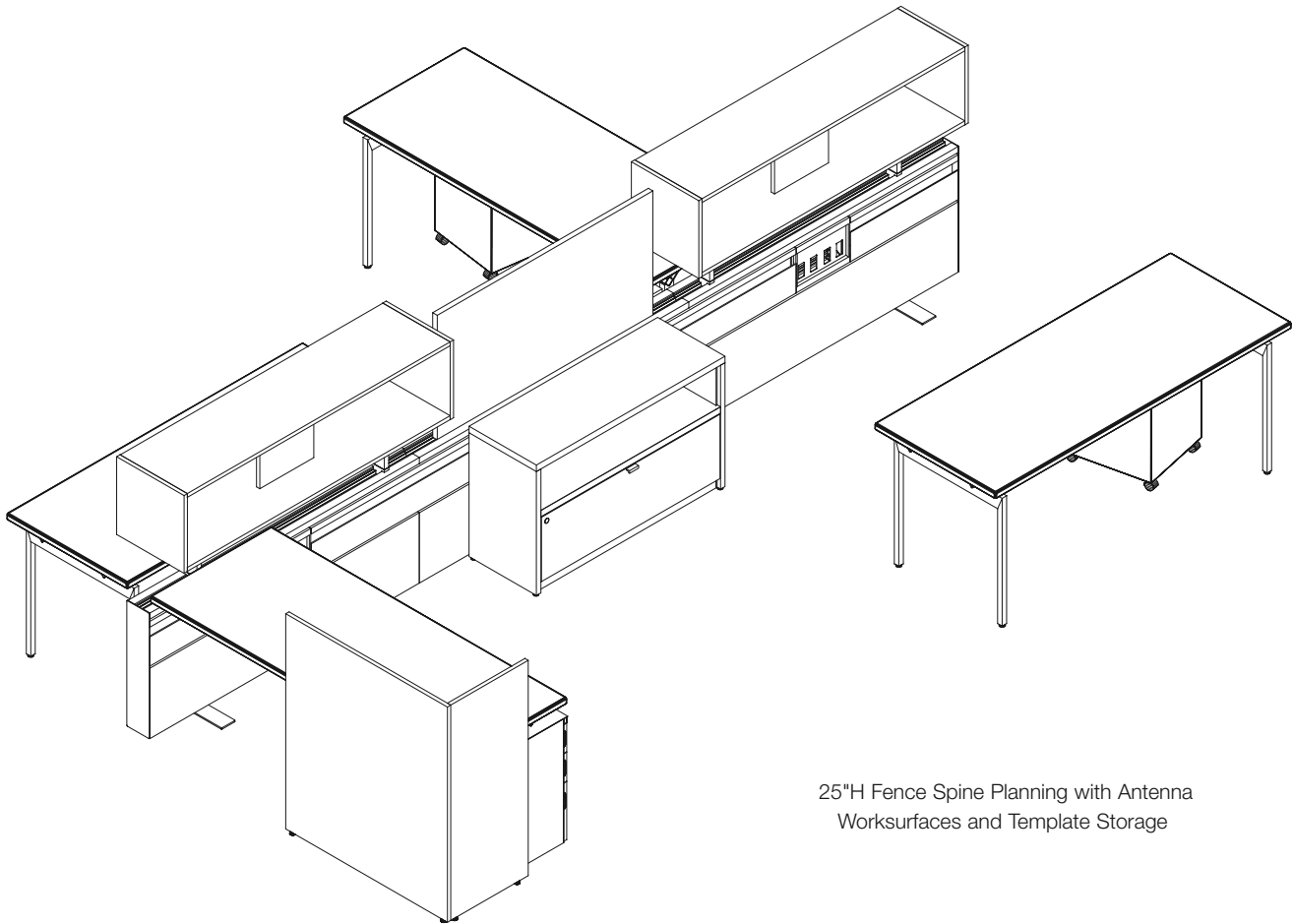
Fence is a compact spine that can be a freestanding housing for power and communications distribution and convenient outlets at the center of a cluster of desks or tables. Fence enables tables and desk arrangements to be moved independently of the service spine, or can be used to support one end of a desk.

Fence can be configured at desk top height or at 25" height to align with desk legs or enable the desk structure to span over the spine.

At either horizon, fence can also support screens or upmounted storage components including platforms, open or enclosed, single sided or shared cabinets.

Services can be supplied to the underside of fence and outlets for power and communications can be positioned at any point. The internal frame structure enables continuous lay-in cable distribution on either side, and unique cable tray covers support easy access cable management on the exterior surface. Other surface options for fence include integral slatwall and painted, laminate or wood covers.

For fence an outlet module mounts to either side of the studs in the fence frame. As with desk power harnesses, the outlet module accepts two duplex outlets each side and up to four jumper cables or infeeds. One or two adjacent outlet modules are enclosed by a 12"W outlet cover in the upper 9" level of the fence. Power and communications infeeds can enter anywhere along the bottom of the fence frame, where there is a 1" space between fence covers to the floor and a 4" or 7" space from the bottom of the fence frame to the floor.



25"H Fence Spine Planning with Antenna Worksurfaces and Template Storage

Antenna Screens

Antenna privacy screens are available for use on desks, big table and fence and offered in a range of materials including: fabric, laminate, marker surface, wood veneer and glass. Privacy screens provide partial enclosure in two planning horizons: 42"H for visual access and 49"H for seated privacy.

For desks, Antenna screens are always offset from the back or end of a desk top by 1 1/4", which ensures continuous cable management and that power centers, monitor arms and task lights can be secured to the top. Screens can be specified with a half

modesty, which starts at 10" above the floor (to align with the bottom of suspended cabinets) or with a partial modesty, which starts 22 1/2" above the floor. Screens align with top widths and depths.

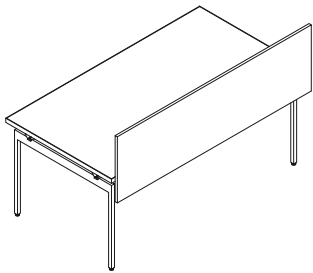
S screens attach to the back of a desktop to provide enclosure both above and below the desktop. The distinctive curved profile transitions from the 10" high vertical modesty panel to a horizontal transaction surface at the 42" horizon.

Also available for desks are floorstanding L screens at a 42" or 49" horizon, in 3/4" thick laminate or wood veneer surfaces. L screens wrap around the corner of a top and must be secured to the underside of the top.

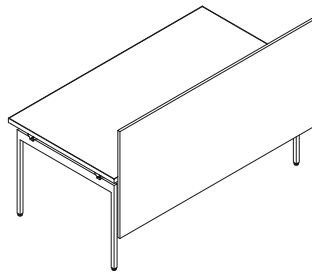
Antenna screens for the big table in 1/2" laminate, marker surface, veneer or glass include a base extrusion that fits into the top of the center beam at any point. Fabric screens are 1 1/4" thick with a painted perimeter metal frame. Screens are available in widths from 24"-72"W.

Intermediate screens are designed to plan anywhere along Antenna big tables or linked desk configurations to delineate individual workspaces. They are available with the same finish options at big table screens.

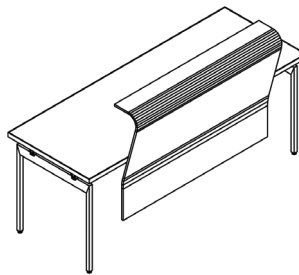
Screen options for fence are the same as those for big table, but the base extrusion is modified to fit into the center of the crown. Top caps are available to complement the fence crown or center beam adjacent to screens.



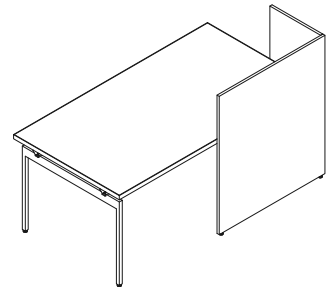
Partial Modesty Desk Screen



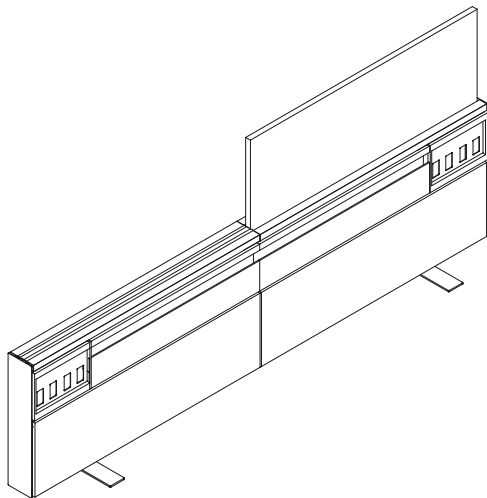
Half Modesty Desk Screen



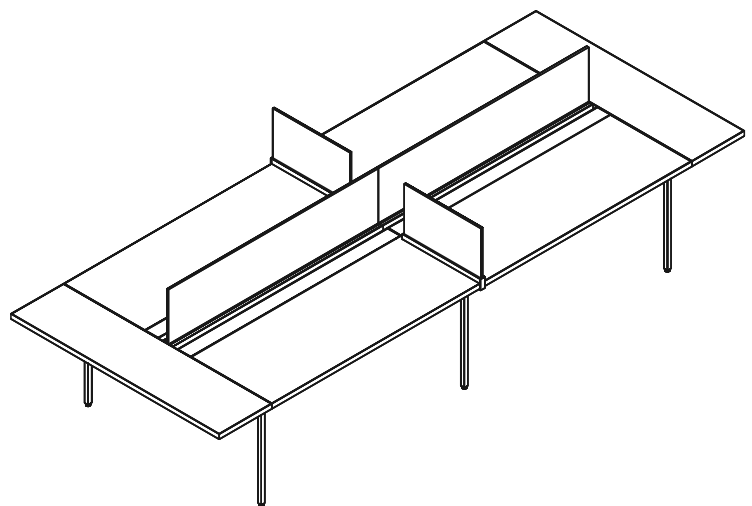
S Screen



Floorstanding L Screen, Left End of Desk



Fence Screen



Big Table Screens

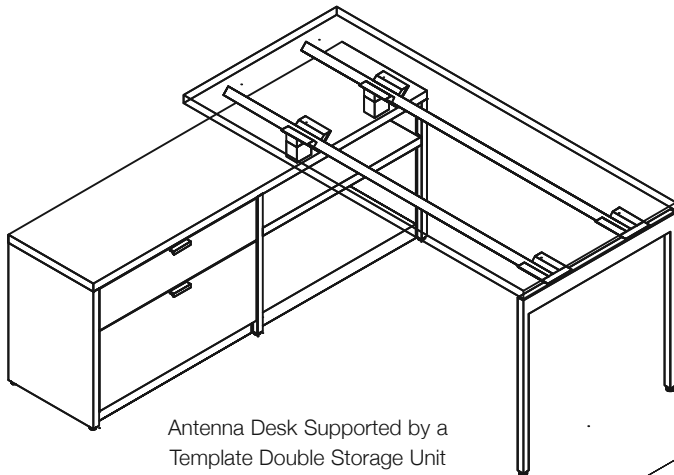
Antenna Components for Template

Antenna desks are designed to be planned next to or integrated with the Template Storage System. Template is based on the structure and dimensions of 15"D bookshelves. The simple structure includes 2"H bases and 1" wide end- and mid- panels that can support power and communications distribution, a top and full or partial structural back panels between vertical panels.

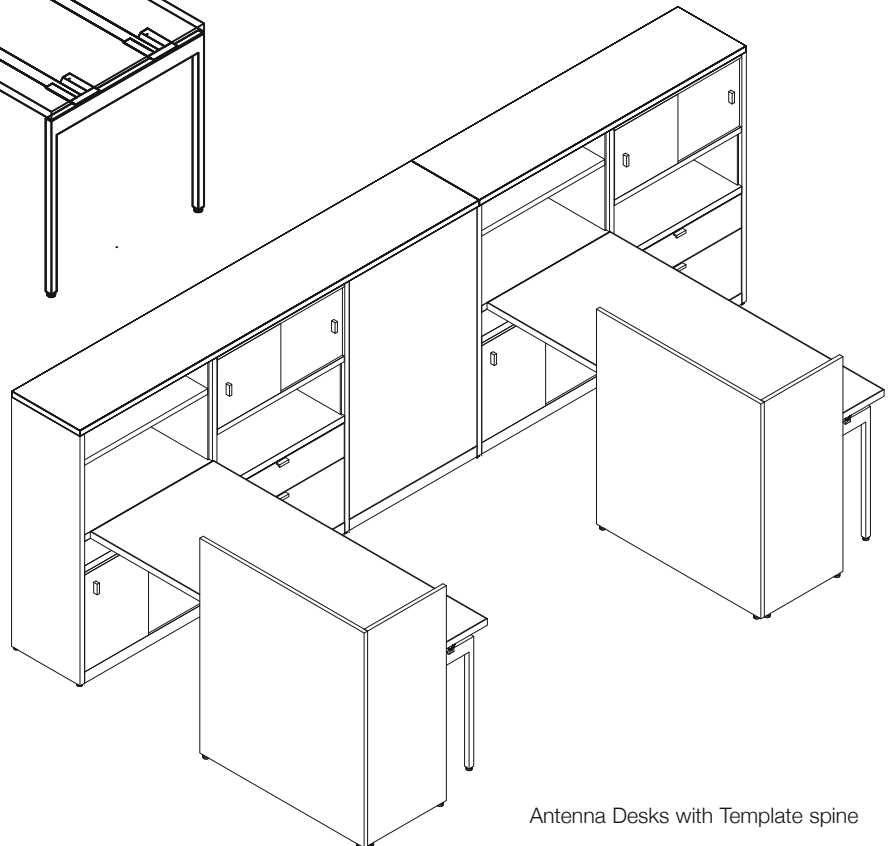
Various open and enclosed storage inserts fill the space between end and mid-panels. Since the structure is identical on "front" and "back," units can be linked, sharing a mid-panel, with components arranged to face one or both sides. Perpendicular Antenna desks can be supported from 22" or higher Template storage.

Template storage can be planned on any of ten horizons from 16" to 84", including key heights of 25", 28", 42" and 49" to match Antenna desk structure, desk tops, screen and storage. Template can be configured as a freestanding single storage unit, in widths from 24"-48", or ganged in any combination. With its compact depth Template is also ideal as a storage wall that defines the perimeter of a workspace or privacy between Antenna desks, or as the "work wall" of a private office.

Antenna tops and worksurface shelves for Template match the front edge material, profile and thickness of Antenna desk tops, but are sized in width to fit specific Template configurations. Antenna adapters are also available to link desks to worksurface shelves or tops for Template. Specify standard Template components for all other applications, including end and mid panels, bases, back panels, shelves and storage inserts.



Antenna Desk Supported by a Template Double Storage Unit



Antenna Desks with Template spine

Antenna Storage

Complementary Antenna storage components include painted steel, and laminate or wood veneer construction that are freestanding, furniture-mounted and wall-mounted.

Suspended storage options begin with the steel laptop drawer, with wire management features that enable it to serve as a secure storage for portable electronics. Other suspended storage units are laminate or wood veneer construction open shelves, in versions accessible from front/back or from the end of desk, and suspended file drawer, with internal pencil drawer. Suspended storage sizes correspond to desk depths.

Metal pedestal options are 18" or 24"D mobile data/file, 18", 24", or 30"D floorstanding two box/file, and two file units, with painted, laminate, or veneer fronts. Floorstanding 18"D two file pedestals are also available in 30" and 36" widths. Floorstanding pedestals with ballast kits can be integrated into the desk structure in place of a leg.

Above desk and below desk extension cabinets also correspond in size to desk and overall big table depths, supported by extended rails, with a "floor" or top flush with the adjacent desk top .

Stanchion mounted wood and metal construction shelves and cabinets, available with no back, full back or shared configurations, can be mounted on center beam of big table or on the fence. Stanchion mounted steel construction cabinets are available with painted steel surface doors. Stanchions for each application are designed to lift the 15"H x 15"D cabinets to an overall height of 49".

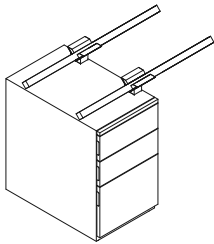
Wall mounted wood and metal open and enclosed storage units are also available, with overlapping doors in the same finish options as upmounted cabinets.

Cantilever shelves for big tables, 12" and 24"W, mount to either side of a center beam, while platforms can be supported on stanchions at 34"H.

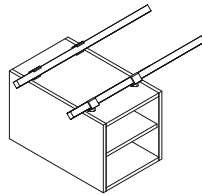
Desk-end cabinets, 49"H and 27", 30" and 36" depths, occupy a narrow footprint and provide access to shelves and coat storage from front and back in open/open, open/enclosed and enclosed/enclosed versions with hinged doors. Desk-end cabinet for 24"D applications is accessible from front only. Desk-end cabinets are floorstanding, but must be secured to desk for stability.

L cabinets are freestanding enclosures for coats and open shelves in a 24" x 24" L-shape that helps define the perimeter of an individual workspace. Single and double width wardrobes are also available for coat storage.

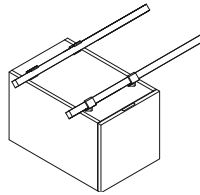
Enclosed shelf and file cabinets are freestanding 18"D open, enclosed or partially enclosed cabinets in laminate or veneer, that can be utilized as storage walls in open plan or private offices.



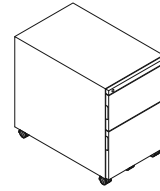
Floorstanding Pedestal



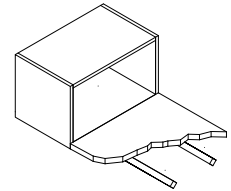
Suspended Open Cabinet



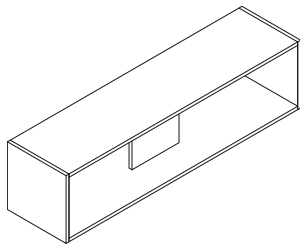
Suspended Wood File with Internal Pencil Drawer



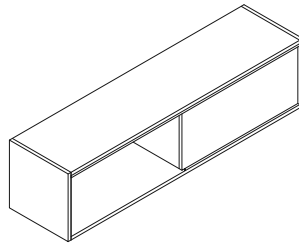
Mobile Pedestal



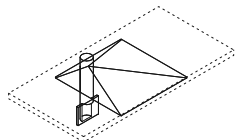
Above Desk Extension Cabinet



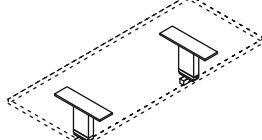
Stanchion Mounted Open Cabinet



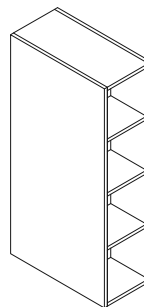
Stanchion Mounted Shared Open Cabinet



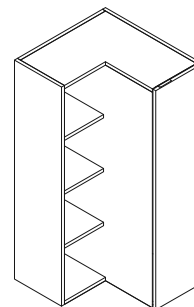
Cantilever Shelf for Big Table



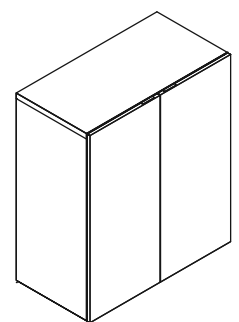
Stanchion Mounted Platform



Desk End Cabinet



Floorstanding L Cabinet



Enclosed Shelf Cabinet

Interpole Planning Guidelines

Interpole is a unique vertical planning approach based on a floor to ceiling H-pole applicable in open plan, private offices and activity spaces. Interpole poles incorporate two channels which may be open or enclosed, and two continuous slots for mounting shelves, screens, accessories or KnollExtra Sapper monitor supports at any height.

Interpole enables five distinct planning applications: hub, display, conduit, screen and storage wall.

Hub

Interpole distributes two circuit power from floor or ceiling to outlets at lounge, desk or standing height to serve as a recharge station for portable devices.

Display

Interpole with monitor support can serve as a technology mast in private offices or community spaces.

Conduit

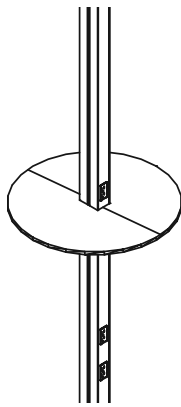
Interpole can route ceiling infeeds of power and communications cables in separate channels to supply Antenna workspaces linked desks, big table or Fence, or clusters of Dividends Horizon, AutoStrada, Reff Profiles or Morrison panel systems.

Screen

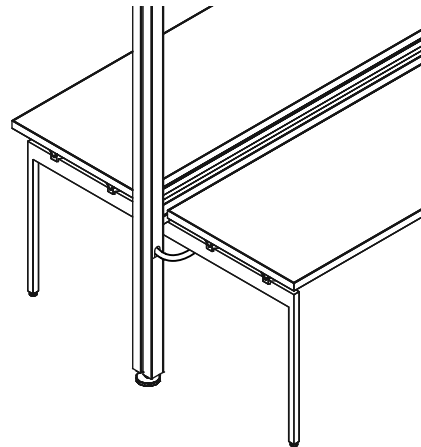
Interpole whiteboard, translucent glass or tackable screens mount between poles with or without covers to define boundaries of team meeting and community spaces with a functional surface.

Storage

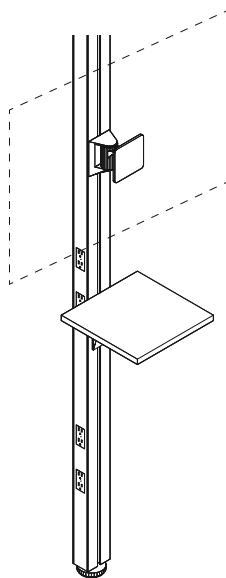
Interpole wood shelves and cabinets mount between poles at any level to support and define workstations, offices, or activity spaces. Vertical wood cabinets mount to the side of a pole providing open or enclosed shelf storage or wardrobe.



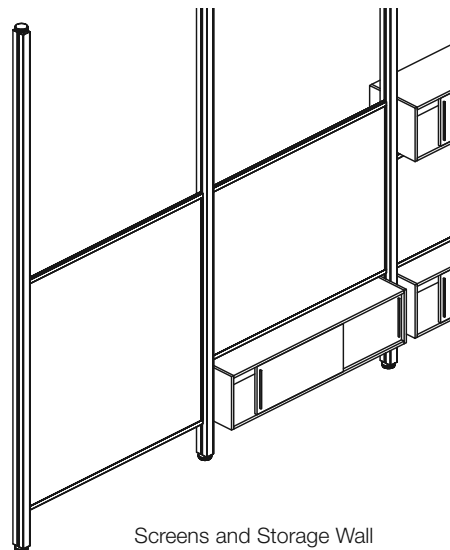
Hub



Conduit



Display



Screens and Storage Wall

Horsepower

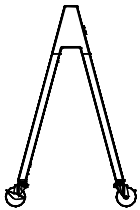
Horsepower is a lightweight freestanding technology channel and source of power for Activity Spaces and open planning. Horsepower has two main planning modes:

Independent Horsepower

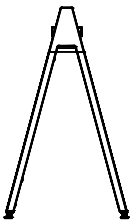
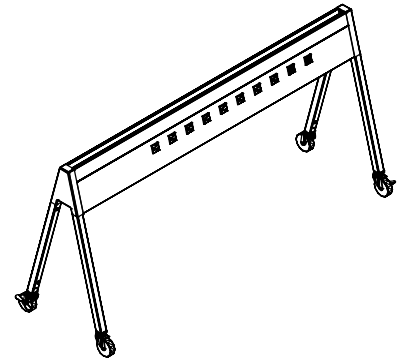
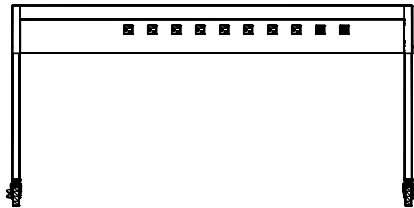
The independent, cord-set module serves as an on-demand, mobile power source suited to a range of Activity Spaces. Video display, whiteboard and open storage options equip flexible, shared work areas.

Linked Horsepower

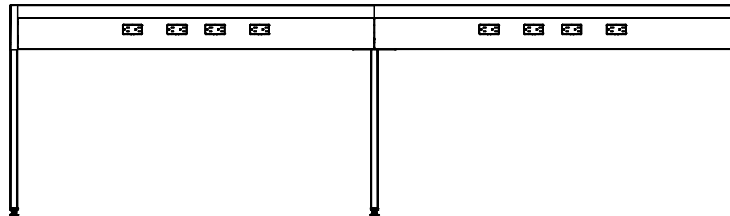
Linked horsepower modules can also furnish dynamic open plan environments with hardwired, multi-circuit power and cable management, suspended storage, upmounted platforms, desk supports and privacy screens. Optional seat cushions create an impromptu power bench in community spaces to sit and recharge.



Independent Horsepower



Linked Horsepower



The fundamental planning unit for Antenna and the starting point for any planning approach is the desk or table tops that form an individual or group workplace. What differs is how those tops are supported and complemented with services, screens and storage.

Antenna is most efficiently planned as groups of workplaces. Five unique planning models enable clustered desks, linked desks, big tables, desks with fence or the Template Storage System to serve as the shared, powered “spine” of a cluster. Each has unique advantages.

Clustered Tables or Desks are the most flexible planning approach, particularly when coupled with the fence or a raised floor system. Desks can be supplied individually from fence, raised floor, ceiling or adjacent built wall. Screens can be shared between desks, but clustered desks are independent so they can be freely rearranged as needs change.

Linked Desks are more economical than clustered desks, and involve shared legs or back-to-back legs that free up floor space. Since linked desks can distribute power throughout, services can be more cost effectively supplied from a single point to eight or more workplaces. Screens can be shared between back to back desks, but power components may need to be specified on both sides of screen for optimal access to outlets.

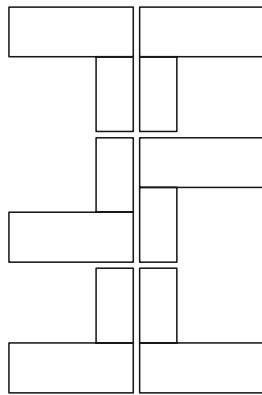
The Big Table is the most cost effective planning approach with Antenna Workspaces, combining efficient, dual sided power distribution, screens, storage support and desk support. Power and communications outlets and distribution are discreet yet easily accessible. Because desk returns can be attached anywhere, the big table is fully functional as the spine of a work group.

Antenna dual sided big tables can be planned in 120 degree configurations with 120 degree Antenna tops, intermediate legs for 120 degree, standard big table end legs, rails, center beams

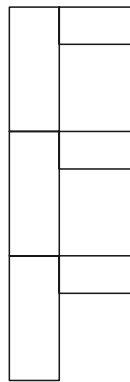
and power components. Whether it is a basic triad configuration or a larger dogbone six-pack layout, 120 degree worksurfaces provide a more space efficient way to plan a workspace.

Fence for Antenna can also serve as the structural spine of a cluster of desks, eliminating some legs. Since services can be accessed on both sides, fence power distribution can be more cost effective than with linked desks. Fence can also support storage cabinets and screens.

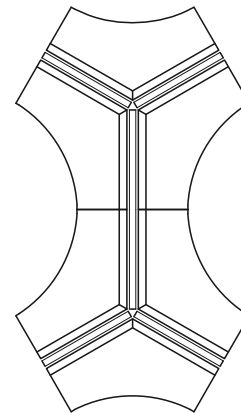
Template Storage System can also serve as the spine of a cluster of desks, eliminating some structural legs. Since power can be distributed through the base and terminated in outlets at desk height, power distribution can be more cost effective than with linked desks. Storage options within Template can be configured for access on both sides. Unique 27"D Antenna desks enable a wire drop and desk mounted screens to plan “within” Template’s centerline planning module.



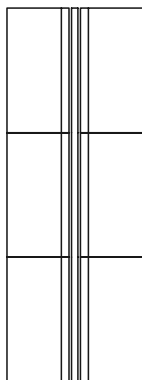
Clustered Desks



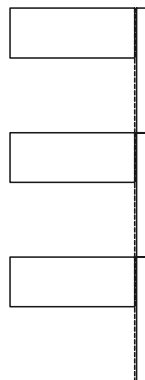
Linked Desks



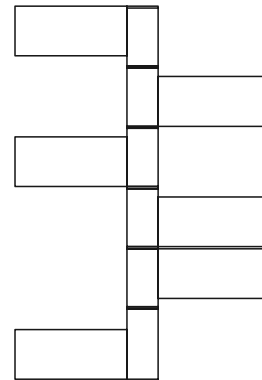
120 Degree Big Table



Big Table



Fence with Antenna Desks



Antenna Desks with Template Spine

Preconfigured Tables

Antenna Tables are available as complete kits including top, rails and legs. Preconfigured tables include round, square, rectangular and track shapes, in standard Antenna laminate, veneer, or glass top details, with painted or chrome finish legs. End legs for round, square and rectangle shapes are table desk end legs that capture the ends of the rails and enable knee space on all sides of desk height tables. Track shape tables are supported by standard Antenna end legs over which the rails extend to the ends of the top for maximum support.

Round tables in 42" diameter have a 27" square base, and tables in 48" diameter include a 30" square base. Round tables in 42" diameter are available in three heights: 18 1/2", 24 1/2", 28 1/2". The lowest height is coffee table height, suitable for reception or casual areas, the medium height is designed for use of portable electronics in casual work areas, and the highest is standard desk height. Round tables in 48" diameter are only available at desk height.

Square tables have table desk end legs at the corners. Square 30" tables are also available in three heights: 18 1/2", 24 1/2", 28 1/2". Square 36", 42" and 48" tables are only desk height.

Rectangular tables have table desk end legs flush with the short ends. Rectangular tables are available in classic 2 x 1 proportions, 48x24, 54x27, 60x30, 72x36, 84x42, all at standard desk height 28 1/2".

Rectangular shape tables other than these sizes can be assembled from components (tops, rails and legs specified separately).

Track shape tables have standard Antenna end legs inset 4 1/2" from each long side edge adjacent to the semi-circular ends of the top. Track shape tables are 72x36, 84x42 or 96x48, all at standard desk height 28 1/2".

All table legs include standard Antenna levelers with 1 1/2" continuous adjustment range.

Construction

Antenna tops are nominal 1 3/16" thick with a laminate or veneer surface finish. Laminate tops have a laminate top surface with an FSC-certified particle board core and a neutral tone backer sheet for balanced construction. Edges can match the top or contrast in color, in 2.8mm ABS with 2.4mm radius top and bottom edges. Front and back edges overlap ends with a 2.4 mm radius on outside corners.

Techwood and natural veneer tops have a veneer top surface, an FSC-certified particle board core and a neutral tone backer sheet for balanced construction. Veneer tops have matching finish 2.0mm solid veneer edges

on all sides. Top and bottom edges have a 2.0mm radius. Veneer grain direction is parallel to front edge on desk tops, and parallel to end on extension tops.

Glass tops are 1/2" thick with a slight radius on the top and bottom edges as well as the corners.

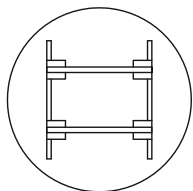
Rails are 1 1/4" square steel tube. End caps are die cast aluminum. Return adapters are die cast aluminum.

End legs are steel weldments with 1" square legs and a 2 1/2" horizontal rail. Legs include 2 1/2" levelers with 3/8" stems and continuous 1 1/2" adjustment range. Cradles and clamps are cast aluminum with countersunk fasteners into legs, mating parts and top.

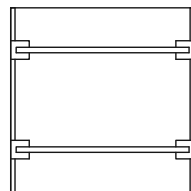
Specification Options

Table tops may be specified in any Antenna solid, pattern or woodgrain laminate, with matching or contrasting ABS edge in any Antenna Techwood or natural veneer with matching edge, or with a glass finish.

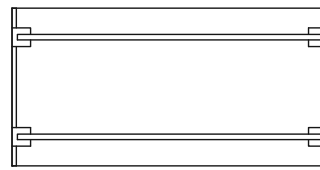
Glass finish options include Clear, Powder, Starfire Clear, Grey Tinted, Back Painted Black, and Back Painted White. Rails may be specified in any Antenna core or accent painted finish. Legs may be specified in any Antenna core or accent painted finish, with matching cradle finish, or in chrome with any Antenna paint finish for the cradles.



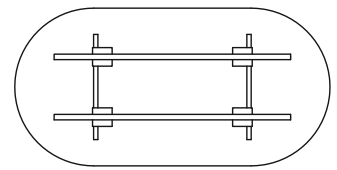
Round Table Plan View



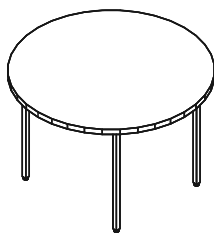
Square Table Plan View



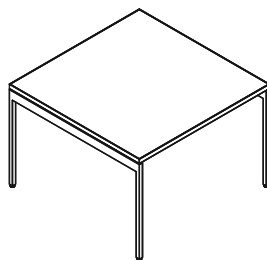
Rectangular Table Plan View



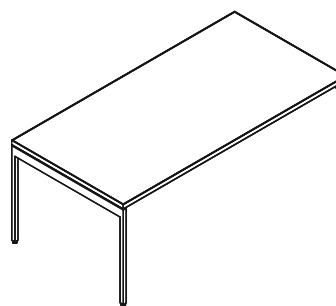
Track Shaped Table Plan View



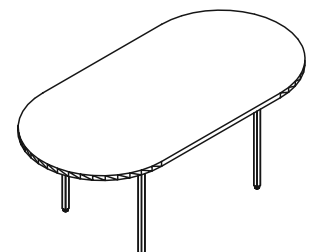
Round Table,
18", 24 1/2" or
28 1/2" High



Square Table,
18", 24 1/2" or
28 1/2" High

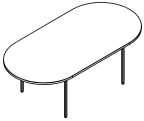

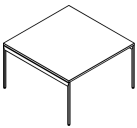
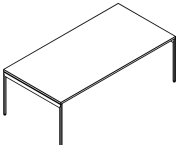


Rectangular Table,
28 1/2" High



Track Shaped Table,
28 1/2" High

24" and 30" Deep Antenna Tops Track, Round, Square and Rectangle

description	w	d	h	pattern no.	Laminate (L)	M/V1 (V)	V2 (V)	V3 (V)	Chrome Base Upcharge
Tables with Track Shaped Antenna Tops	72"	36"	28 1/2"	YKTT7236D()	\$1,695.	\$2,891.	\$3,184.	\$3,860.	n/a
	84"	42"	28 1/2"	YKTT8442D()	1,825.	3,313.	3,666.	4,476.	n/a
	96"	48"	28 1/2"	YKTT9648D()	2,023.	3,767.	4,178.	5,123.	n/a
Tables with Round Shaped Antenna Tops	42"	42"	18 1/2"	YKTR42L()	1,370.	2,635.	2,901.	3,507.	531.
	42"	42"	24 1/2"	YKTR42M()	1,370.	2,635.	2,901.	3,507.	531.
	42"	42"	28 1/2"	YKTR42D()	1,370.	2,635.	2,901.	3,507.	531.
	48"	48"	28 1/2"	YKTR48D()	1,501.	2,778.	3,064.	3,715.	543.
Tables with Square Shaped Antenna Tops	30"	30"	18 1/2"	YKTS3030L()	1,179.	1,483.	1,570.	1,815.	543.
	30"	30"	24 1/2"	YKTS3030M()	1,179.	1,483.	1,570.	1,815.	543.
	30"	30"	28 1/2"	YKTS3030D()	1,179.	1,483.	1,570.	1,815.	543.
	36"	36"	28 1/2"	YKTS3636D()	1,286.	1,595.	1,695.	1,966.	645.
	42"	42"	28 1/2"	YKTS4242D()	1,411.	1,843.	1,984.	2,333.	704.
	48"	48"	28 1/2"	YKTS4848D()	1,535.	2,096.	2,259.	2,692.	779.
Tables with Rectangle Shaped Antenna Tops	48"	24"	28 1/2"	YKTS4824D()	1,249.	1,548.	1,641.	1,895.	421.
	54"	27"	28 1/2"	YKTS5427D()	1,376.	1,688.	1,790.	2,078.	531.
	60"	30"	28 1/2"	YKTS6030D()	1,524.	1,783.	1,891.	2,226.	543.
	72"	36"	28 1/2"	YKTS7236D()	1,646.	1,964.	2,115.	2,479.	645.
	84"	42"	28 1/2"	YKTS8442D()	1,966.	2,199.	2,348.	2,756.	704.

Ordering Information

Tables

1. Pattern Number
2. Top Finish
3. Edge Finish
(for laminate tops only)
4. Rail Paint Finish
5. Cradle Paint Finish
(for chrome legs only)
6. Leg Paint Finish

Order Code

Tables

Example: **YKTS3030DL, 118T, 118T, 118T, 118T, 118T**

YK	Table Kit
TS	Antenna Square Top
30	Depth
30	Width
D	Desk Height
L	Laminate
118T	Bright White Top
118T	Bright White Edge
118T	Bright White Paint
118T	Bright White Paint
118T	Bright White Paint

Included With

Tables

- Antenna Top
- (2) Rails
- (2) End Legs
- (4) Cradles
- (4) Leveling Glides
- Attachment Hardware

Options

Table

Top Finish Options:

- (L) = Laminate
- (M) = Laminate top with wood edge
- (V) = Veneer

Leg Finish Options:

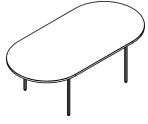
End Legs are available in Knoll core paints, Clear (138), Dark Red (130) and Slate blue (131) paint finishes, as well as polished chrome (PD) finish.

Add the chrome base upcharge to the table list price when the table base is specified with a chrome finish.

Chrome base is not available on track shaped tables.

24" and 30" Deep Glass Tops Track, Round, Square and Rectangle

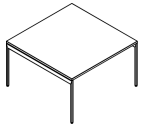
description	w	d	h	pattern no.	Clear Glass (TEMP)	Powder Glass (GL13)	Starfire Clear Glass (GL85)	Grey Glass (GL35)	Back Painted Black Glass (GL11)	Back Painted White Glass (GL45)	Chrome Base Upchg.
Tables with Track Shaped Glass Tops	72"	36"	27 ³ / ₄ "	YKTT7236DG	\$4,457.	\$5,596.	\$6,104.	\$7,225.	\$8,434.	\$8,434.	n/a
	84"	42"	27 ³ / ₄ "	YKTT8442DG	4,937.	6,482.	7,179.	8,446.	10,357.	10,357.	n/a
	96"	48"	27 ³ / ₄ "	YKTT9648DG	5,484.	7,497.	8,422.	9,864.	12,548.	12,548.	n/a



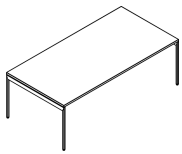
Tables with Round Shaped Glass Tops	42"	42"	17 ³ / ₄ "	YKTR42LG	3,128.	3,900.	4,247.	5,066.	6,141.	6,141.	531.
	42"	42"	23 ³ / ₄ "	YKTR42MG	3,128.	3,900.	4,247.	5,066.	6,141.	6,141.	531.
	42"	42"	27 ³ / ₄ "	YKTR42DG	3,128.	3,900.	4,247.	5,066.	6,141.	6,141.	531.
	48"	48"	27 ³ / ₄ "	YKTR48DG	3,457.	4,464.	4,914.	5,813.	6,990.	6,990.	543.



Tables with Square Shaped Glass Tops	30"	30"	17 ³ / ₄ "	YKTS3030LG	2,370.	2,760.	2,938.	4,053.	3,748.	3,748.	543.
	30"	30"	23 ³ / ₄ "	YKTS3030MG	2,370.	2,760.	2,938.	4,053.	3,748.	3,748.	543.
	30"	30"	27 ³ / ₄ "	YKTS3030DG	2,370.	2,760.	2,938.	4,053.	3,748.	3,748.	543.
	36"	36"	27 ³ / ₄ "	YKTS3636DG	2,583.	3,154.	3,407.	4,558.	4,573.	4,573.	645.
	42"	42"	27 ³ / ₄ "	YKTS4242DG	2,901.	3,673.	4,021.	5,256.	5,611.	5,611.	704.
	48"	48"	27 ³ / ₄ "	YKTS4848DG	3,160.	4,166.	4,623.	5,938.	6,699.	6,699.	779.



Tables with Rectangle Shaped Glass Tops	48"	24"	27 ³ / ₄ "	YKTS4824DG	2,208.	2,716.	2,943.	3,260.	3,975.	3,975.	421.
	54"	27"	27 ³ / ₄ "	YKTS5427DG	2,551.	3,191.	3,482.	3,888.	4,787.	4,787.	531.
	60"	30"	27 ³ / ₄ "	YKTS6030DG	3,230.	4,015.	4,369.	4,900.	5,990.	5,990.	543.
	72"	36"	27 ³ / ₄ "	YKTS7236DG	3,629.	4,761.	5,280.	5,976.	7,599.	7,599.	645.
	84"	42"	27 ³ / ₄ "	YKTS8442DG	4,488.	6,256.	7,053.	7,434.	10,660.	10,660.	704.



Ordering Information

Tables

1. Pattern Number
2. Top Finish
3. Rail Paint Finish
4. Cradle Paint Finish (for chrome legs only)
5. Leg Paint Finish

Order Code

Tables

Example: **YKTS4824DG, TEMP, 118T, 118T, 118T**

YK	Table Kit
TS	Antenna Square Top
48	Depth
24	Width
D	Desk Height
G	Glass
TEMP	Clear Glass
118T	Bright White Rails
118T	Bright White Cradles
118T	Bright White Legs

Included With

Tables

Glass Top
(2) Rails
(2) End Legs
(4) Cradles
(4) Leveling Glides
Attachment Hardware

Options

Table

Glass Top Finish Options:

Add finish option as suffix to pattern number:

(TEMP) = Clear Glass
(GL13) = Powder Glass
(GL85) = Starfire Clear Glass
(GL35) = Grey Tinted Glass
(GL11) = Back Painted Black Glass
(GL45) = Back Painted White Glass

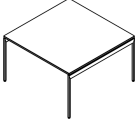

Leg Finish Options:

End Legs are available in Knoll core paints, Clear (138), Dark Red (130) and Slate blue (131) paint finishes, as well as polished chrome (PD) finish.

Add the chrome base upcharge to the table list price when the table base is specified with a chrome finish.

Chrome base is not available on track shaped tables.

24" and 30" Deep
 Overlay Tops
 Square and Rectangle

description	width	depth	height	pattern number	Color Core Laminate (C)	V1 (V)	V2 (V)	V3 (V)	Chrome Base Upcharge
Tables with Square Shaped Overlay Tops 	30"	30"	18 1/2"	YKPTS3030L()	\$2,803.	\$2,169.	\$2,361.	\$2,803.	\$543.
	30"	30"	24 1/2"	YKPTS3030M()	2,803.	2,169.	2,361.	2,803.	543.
	30"	30"	28 1/2"	YKPTS3030D()	2,803.	2,169.	2,361.	2,803.	543.
	36"	36"	28 1/2"	YKPTS3636D()	2,983.	2,303.	2,508.	2,983.	645.
	42"	42"	28 1/2"	YKPTS4242D()	3,178.	2,454.	2,675.	3,178.	704.
	48"	48"	28 1/2"	YKPTS4848D()	3,346.	2,576.	2,809.	3,346.	779.
Tables with Rectangle Shaped Overlay Tops 	48"	24"	28 1/2"	YKPTS4824D()	2,881.	2,230.	2,425.	2,882.	421.
	54"	27"	28 1/2"	YKPTS5427D()	3,098.	2,392.	2,607.	3,098.	531.
	60"	30"	28 1/2"	YKPTS6030D()	3,245.	2,496.	2,724.	3,245.	543.
	72"	36"	28 1/2"	YKPTS7236D()	3,487.	2,669.	3,035.	3,487.	645.
	84"	42"	28 1/2"	YKPTS8442D()	3,848.	2,967.	3,233.	3,848.	704.

Ordering Information

Tables

1. Pattern Number
2. Top Finish
3. Edge Finish
(for laminate tops only)
4. Rail Paint Finish
5. Cradle Paint Finish
(for chrome legs only)
6. Leg Paint Finish

Order Code

Tables

Example: **YKPTS3030DL, 311, V440, 118T, 118T, 118T**

YK	Table Kit
PTS	Overlay Square Top
30	Depth
30	Width
D	Desk Height
C	Color Core Laminate
311	Solid Gallery White Top
V440	Natural Hemlock Edge
118T	Bright White Paint
118T	Bright White Paint

Included With

Tables

- Antenna Top
- (2) Rails
- (2) End Legs
- (4) Cradles
- (4) Leveling Glides
- Attachment Hardware

Options

Table

Top Finish Options:
 (C) = Color Core Laminate
 (V) = Veneer

Leg Finish Options:

Table Desk End Legs are available in Knoll core paints, Clear (138), Dark Red (130) and Slate blue (131) paint finishes, as well as polished chrome (PD) finish.

Add the chrome base upcharge to the table list price when the table base is specified with a chrome finish.

Antenna Y-base Tables

Antenna Y-base tables offer unobstructed kneespace and advanced cable management in compact shapes designed for small workstations and meeting spaces. Y-base tables combine standard detail laminate or veneer Antenna tops with a grommet centered over posts with an integral wire management channel and a low profile, three-spoke "Y" base or "bowtie" shape base.

Round tables 36" in diameter are available in three heights of Y-shape bases: 24½" medium height, 28½" desk height and 36½" standing height. The lowest of these is suitable for use of portable electronics in casual work areas. Round tables 42" in diameter are available in 24½" medium height and 28½" desk height only. Base spokes extend to align with the perimeter of the top.

Track shape tables 72" x 36" and 84" x 42" are available in two heights of bowtie-shape bases with two columns: 28½" desk height and 36½" standing height.

Rectangular top tables 72" x 36" and 84" x 42" are available in two heights of the same bowtie-shape bases as track-shape tables: 28½" desk height and 36½" standing height.

Construction

Antenna tops are nominal 1³/₁₆" thick with a laminate or veneer surface finish. Laminate tops have a laminate top surface with an FSC-certified particle board core and a neutral tone backer sheet for a balanced construction. Edges can match the top or contrast in color, in 2.8mm ABS with 2.4mm radius tops and bottom edges. Long edges of rectangular tops overlap side edges with a 2.4mm radius on outside corners.

Techwood and natural veneer tops have a veneer top surface, an FSC-certified particle board core and a neutral tone backer sheet for balanced constructions. Veneer tops have matching finish 2.0mm solid veneer or ABS edges on all sides. Top and bottom edges have a 2.0mm radius. Veneer grain direction is parallel to long sides of track shape and rectangular tops.

Round tables in 36" diameter include a formed steel, three-prong top plate, 2½" diameter aluminum center post with vertical wire manager and removable aluminum access cover, solid hub weldment, and three 1¼" square steel tube base spokes with end caps. Track shape and rectangular tables 36" x 72" include two 2½" center posts, joined with hub weldments to two spokes and a 1¼" square steel tube stretcher between posts. Each spoke includes a 1½" leveler with 3⁄8" stems and continuous ¾" adjustment range.

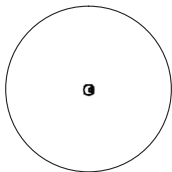
Round tables in 42" diameter include a steel, three-prong top plate, 3" diameter aluminum center post with vertical wire manager and removable aluminum access cover, solid hub weldment, and three 1½" square steel tube base spokes with end caps. Track shape and rectangular tables 42" x 84" include two 3" diameter center posts, joined with hub weldments to two spokes and a 2½" square steel tube stretcher between posts. Each spoke includes a 1½" leveler with 3⁄8" stems and continuous ¾" adjustment range.

Specification Options

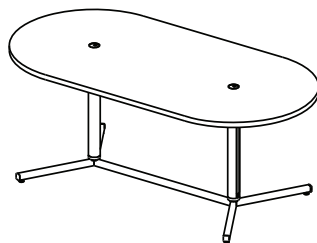
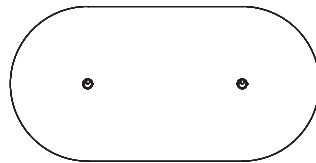
Table tops may be specified in any Antenna solid, pattern or woodgrain laminate, with matching or contrasting ABS edge, or in any Antenna Techwood or natural veneer with matching solid veneer or ABS edge. Round tops may be specified with or without 2" dia. center grommet, in painted aluminum liner and flush round cap with mousehole. Track and rectangular shapes may be specified with or without two grommets centered over posts.

Top plate is painted black. Base column, spokes and stretchers may be specified in any standard Antenna painted finish.

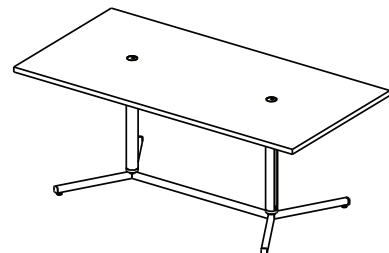
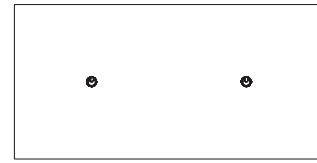
Grommet may be specified in any standard Antenna painted finish.



Round Table, 36" or 42"
Top in Medium, Desk
Height or Standing Height



Track Shape Table,
36" x 72" or 42" x 84" Top in
Desk or Standing Height



Rectangular Top Table,
72" x 36" or 84" x 42" Top in
Desk or Standing Height

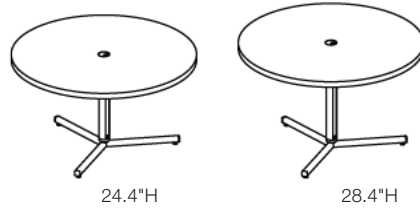
Y-base tables

Planning Guidelines and Specifications

36" Round in Medium, Desk Height and Standing Height



42" Round in Medium and Desk Heights



36" x 72" and 42" x 84" Track Shapes in Desk and Standing Heights



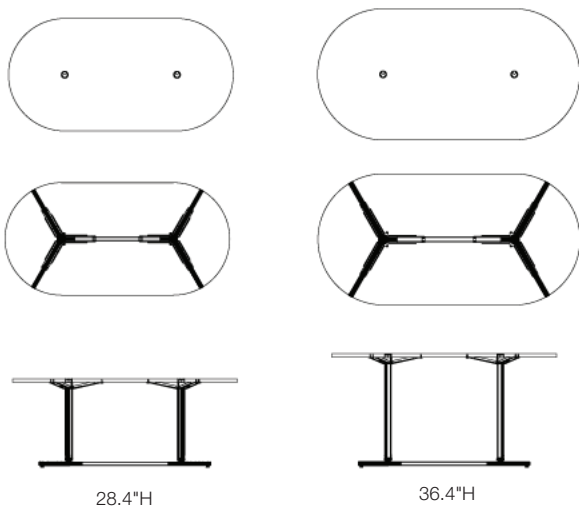
72" x 36" and 84" x 42" Rectangles in Desk and Standing Heights



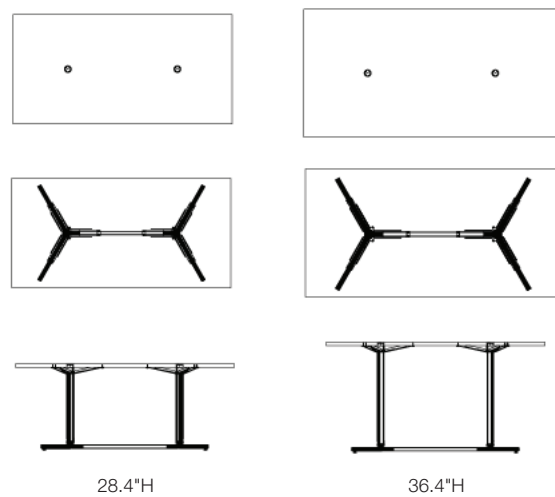
Elevation View of 36" Diameter Table at Medium, Desk and Standing Height



Track Shape Tables, 36" x 72", 42" x 84" in Desk Height and Standing Height





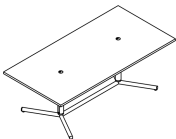
Rectangular Tables, 72 x 36", 84 x 42", in Desk Height and Standing Height



Y-base tables

Antenna tops

Round, track and rectangle

description	type	w	d	h	pattern no.	Laminate (L)	M/V1 (V)	V2 (V)	V3 (V)	
Tables with Round Shape Antenna Tops 	medium height	36" dia.		24 1/2"	YKTR36YMG	\$1,478.	\$3,166.	\$3,226.	\$3,588.	
		42" dia.		24 1/2"	YKTR42YMG	1,838.	3,528.	3,618.	4,010.	
	desk height	36" dia.		28 1/2"	YKTR36YDG	1,539.	3,226.	3,287.	3,647.	
		42" dia.		28 1/2"	YKTR42YDG	1,899.	3,588.	3,678.	4,070.	
	standing height	36" dia.		36 1/2"	YKTR36YHG	1,629.	3,317.	3,376.	3,739.	
	Tables with Track Shape Antenna Tops 	desk height	72"	36"	28 1/2"	YKTT7236YDG	3,075.	4,553.	4,644.	5,217.
84"			42"	28 1/2"	YKTT8442YDG	3,859.	5,246.	5,366.	6,091.	
standing height		72"	36"	36 1/2"	YKTT7236YHG	3,256.	4,733.	4,824.	5,398.	
		84"	42"	36 1/2"	YKTT8442YHG	4,039.	5,426.	5,547.	6,272.	
Tables with Rectangle Shape Antenna Tops 		desk height	72"	36"	28 1/2"	YKTS7236YDG	2,955.	3,196.	3,317.	3,859.
			84"	42"	28 1/2"	YKTS8442YDG	3,588.	3,859.	4,039.	4,763.
	standing height	72"	36"	36 1/2"	YKTS7236YHG	3,136.	3,376.	3,618.	4,160.	
		84"	42"	36 1/2"	YKTS8442YHG	3,768.	4,039.	4,222.	4,945.	

Ordering Information	Order Code	Included With	Options
Tables 1. Pattern Number 2. Grommet / no grommet 3. Top surface type 4. Top finish 5. Edge Finish (for laminate tops only) 6. Base finish (paint) 7. Grommet finish (paint)	Tables <i>Example:</i> YKTR36YMGL, 118T, 118T, 118T, 118T <hr/> YK Antenna Assembly <hr/> T Antenna Square Top <hr/> R Shape <hr/> 36 Size <hr/> Y Base Type <hr/> L Laminate <hr/> 118T Bright White Top <hr/> 118T Bright White Edge <hr/> 118T Bright White Base <hr/> 118T Bright White Grommet	Tables Antenna Top Top plate(s) Center post Base spokes Levelers Attachment Hardware	Table (G) Grommet(s) (N) No grommet For no grommets, deduct \$25 for round. Deduct \$50 for track shape and rectangle tops Top Finish Options: (L) = Laminate (M) = Laminate top with wood edge (V) = Veneer Top may be specified in any Knoll core laminate or veneer. Leg Finish Options: Bases are available in Knoll core paints, Dark Red (130) and Slate blue (131) paint finishes.

Media Enclave

Planning Guidelines and Specifications

Media Enclave is a complete Antenna Workspaces activity space for small group meetings of three or four participants. Media Enclaves are ready to accept center beam mounted Sapper post with TV, and can discreetly manage collaborative technology to link meeting participants. Media Enclave facilitates change in technology or even reconfiguration into other sizes of work space.

Media Enclave is preconfigured from standard Antenna big table components for ease of ordering and planning. Media Enclave kits include table, table with end panel, and power for either table, each orderable with a single pattern number.

Media Enclave table includes two 60" x 24" tops with full width hinged access, an 18" x 53 1/2" extension top, two end legs, rails, center beam, beam top and end caps and beam mounted cable holders, 39" x 12" cable basket and all hardware for assembly. Media Enclave table plans as overall 78"W x 53 1/2"D x 28 1/2"H.

Media Enclave with End Panel includes 56"H x 53 1/2"W x 1 1/4" thick end panel in laminate surface, in addition to tops, end legs, rails, center beam, top cap, end cap and cable holders, cable basket and attachment hardware.

Media Enclave power kit mounts directly under center beam and includes power harness and covers, four duplex outlets on one circuit, and power infeed cable with pigtail to be field hardwired to a code approved junction box (not included).

Construction

Tops and full width hinged surfaces are 1 3/16" thick with a laminate top surface, FSC-certified particle board core and a neutral tone backer sheet for balanced construction. Edgeband in 2.8mm ABS matches the top in color, with 2.4mm radii on top and bottom edges.

Rails are powder-coat painted 1 1/4" square steel tube with die cast aluminum end caps. Center beam is powder coat painted aluminum extrusion with continuous slots on front, back and underside for attachments and a center slot for attaching Sapper monitor masts, platform and other accessories. Beam end caps are painted steel.

End legs are steel weldments with 1" square legs and a 2 1/2" horizontal rail. Legs include 2 1/2" levelers with 3/8" stems and continuous 1 1/2" adjustment range. Legs include cradles and rail clamps in cast aluminum with countersunk fasteners into legs, mating parts and tops.

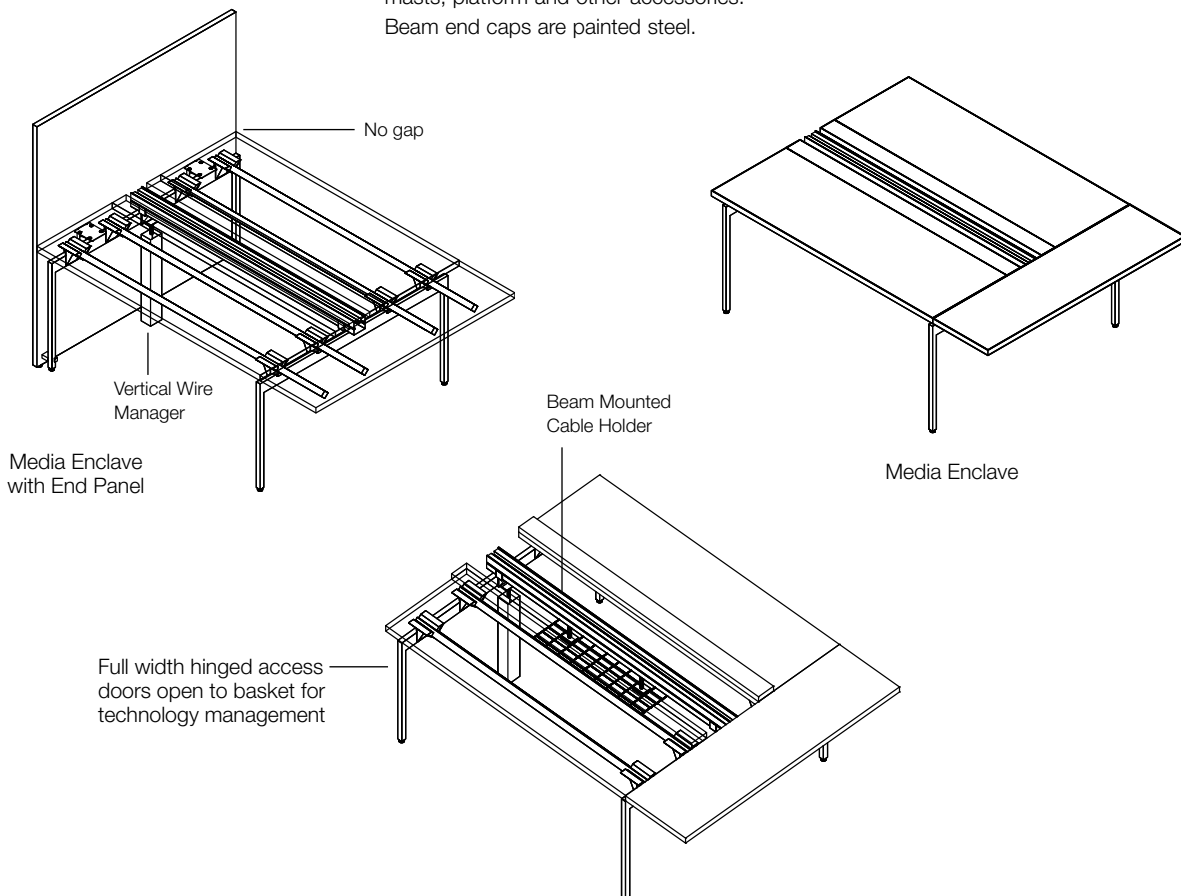
End panels are 1 3/16" thick with two laminate surfaces on FSC-certified particle board core. Edgeband in 2.8mm ABS matches the faces in color, with 2.4mm radii on top and vertical edges.

Specification Options

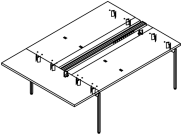
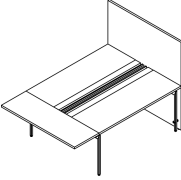
Table tops may be specified in any Antenna solid laminate, with contrasting ABS edges. End panel can be specified in the same laminate as tops or in a contrasting laminate.

Legs and rails may be specified in any Antenna core paint finish. Center beam and end caps can be specified in the same or contrasting Antenna core paint finish.

Specify power components kit separately.



Media Enclave
*Antenna tops
 laminate only*

description	w	d	h	pattern no.	L	LM
Media enclave 	78"	53 1/2"	28 1/2"	YKME7854NE	\$4,796.	
Media enclave with end panel 	78"	53 1/2"	56"	YKME7854HE	5,780.	6,031.
Power kit for media enclave				YKME4DA	727.	

Ordering Information

Media Enclave

1. Pattern Number
2. Top finish
3. Edge Finish
4. Center beam finish
5. Base finish

Media Enclave with End Panel

1. Pattern Number
2. Top finish
3. Edge Finish
4. End panel finish
5. Edge finish
6. Center beam finish
7. Base finish

Order Code

Media Enclave

Example: **YKME7854NEL**
118,118,118,118

YK Antenna Assembly

ME Media Enclave

78 Width

54 Depth

NE No end panel

L Laminate

118 Top laminate

118 Top edge

118 Center beam finish

118 Base finish

Included With

Media Enclave

Antenna Top
 Center beam
 End Legs
 Rails
 Connecting Hardware
 End panel (if applicable)

Options

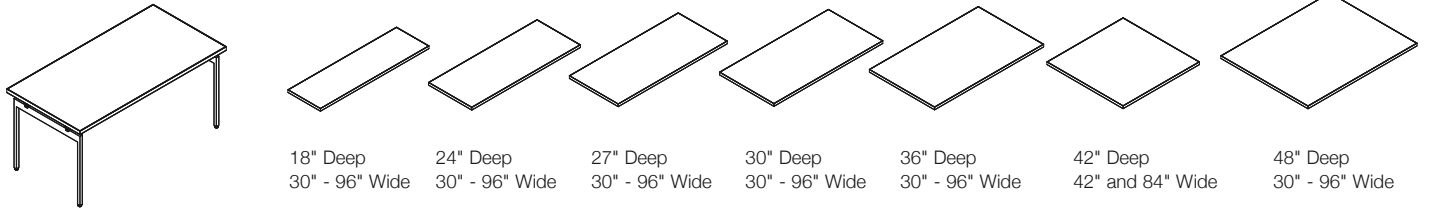
Media Enclave

HE high end panel
 NE no end panel

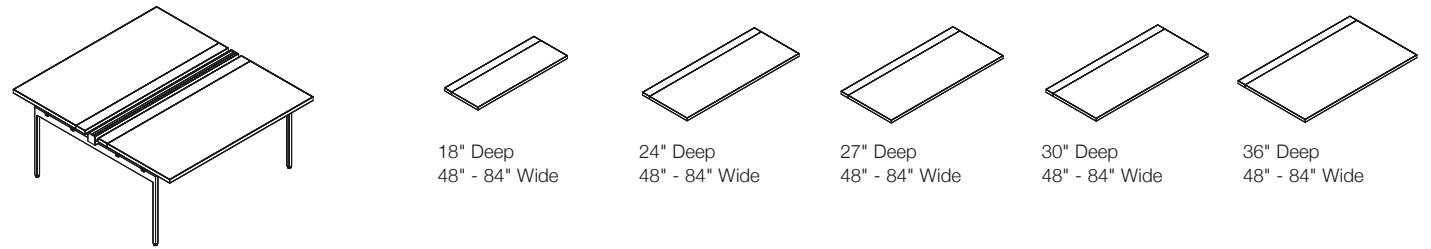
Leg Finish Options:

Legs may be specified in any Knoll core paints, Clear (138), Dark Red (130) and Slate blue (131) paint finishes.

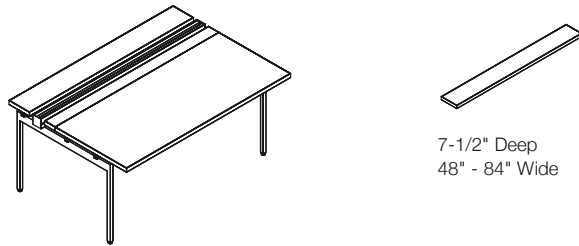
Rectangular Tops for Desks or Big Tables



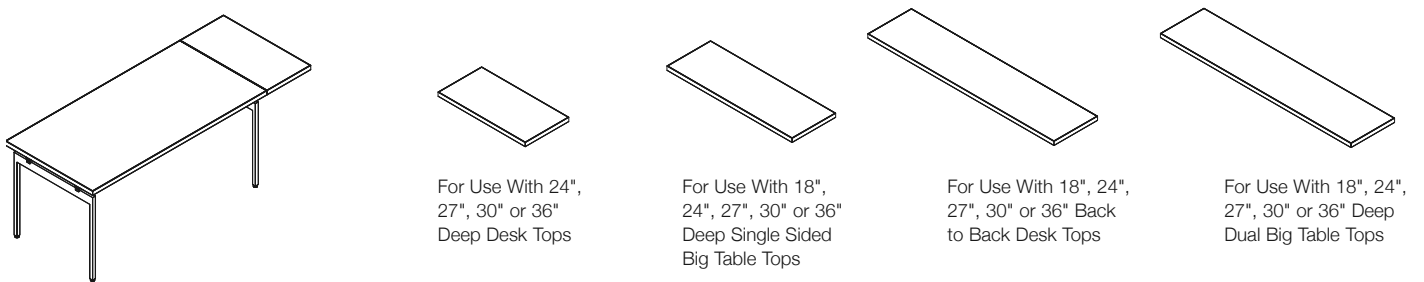
Rectangular with Hinged Access Tops for Big Tables



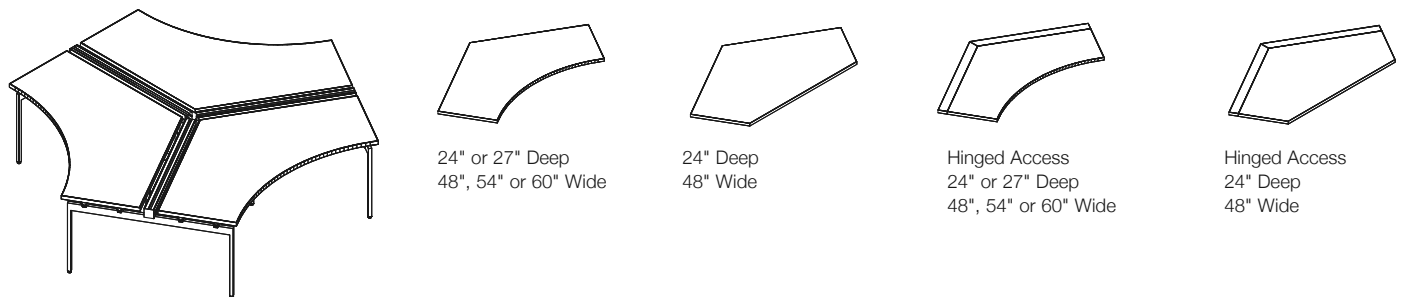
Back Tops for Single Sided Big Table



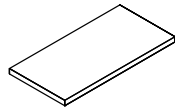
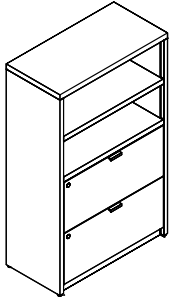
Extension Tops for Desks or Big Tables



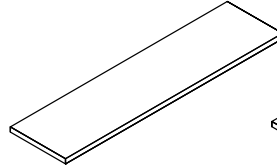
120 Degree Tops for Big Tables



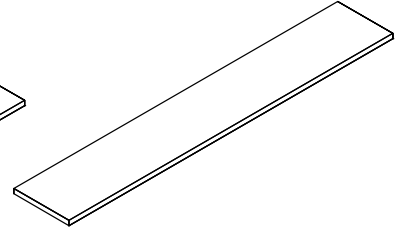
Full Width Template Tops



Single Unit Cases
24" - 48" Wide



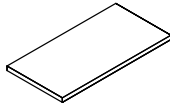
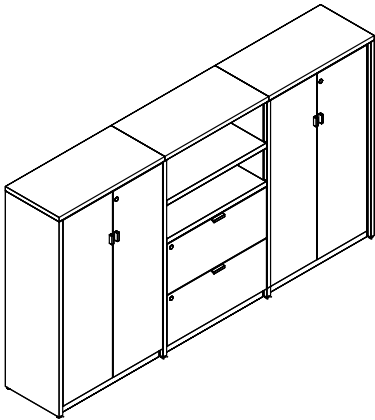
Double Unit Cases
48" - 96" Wide



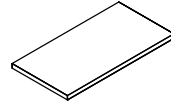
Triple Unit Cases
72" - 96" Wide

Tops

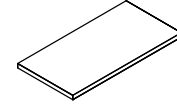
End and Mid Position Template Tops



End Position,
Single Unit Cases
18" - 48" Wide

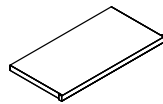
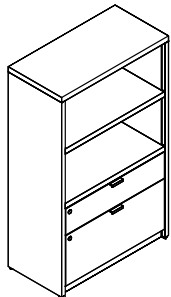


End Position,
Multiple Unit Cases
60" - 96" Wide

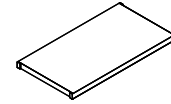


Mid Position
24" - 48" Wide

Template Worksurface Shelves



Single-Sided
18" - 72" Wide



Dual-Sided
18" - 72" Wide

Tops

Tops for Antenna Workspaces are the central element in any type of planning. Tops are available in two types: Antenna tops, in laminate or veneer, and Overlay tops, in laminate or veneer top surface with solid wood edge.

Antenna Tops

Antenna tops are designed in straightforward rectangular shapes optimized for stand-alone applications as well as linking side by side or at right angles, or in big tables. Tops are universal in application as tables, desks, returns, or bridges.

Tops for desks or tables are full dimension, 18", 24", 27", 30", 36", 42" and 48" depths, and available in every 6" increment of width from 30"-96". 18" deep tops are for return or bridge applications. Tops 18"-36" deep in widths from 48"-84" can also be planned in big table applications.

Tops with hinged access are dedicated to big table applications, with a full width or partial 24" wide, 3 3/4" deep hinged section for easy access to outlets and wire management below the center beam. Hinged access tops are available in 18", 24", 27", 30" and 36" overall depths and widths from 48"-84" in all 6" increments.

Back tops are specified for single sided big tables. They are 7.5" deep and match desk widths in 6" increments from 48"-84". Back tops are supported by a single rail on the other side of the center beam from the primary top.

Extension tops plan at the end of a desk, back to back desks or big table. They are 15" wide and match desks 24", 27", 30" or 36" deep. Extension tops for back to back desks are 15" wide and match tops 18", 24", 27", 30" or 36" deep with overall depths of 39-3/4", 51 3/4", 57 3/4", 63 3/4" or 75 3/4". Extension tops for dual big tables are 15" or 18" wide and match overall dual big table depths of 41 1/2", 53 1/2", 59 1/2", 65 1/2" and 77 1/2". Extension tops 15" wide are also available for single sided 18", 24", 27", 30" or 36" deep big tables with overall depth of 31", 37", 40", 43", or 49". Extension tops can be planned in the same or contrasting surface finish as adjacent laminate or veneer tops. Desk and big table connector kits and rails 12" wider than the adjacent top are needed for 15" wide extension top, or 15" wider for 18" wide extension top.

Construction

Antenna tops are nominal 1 3/16" thick with a laminate or veneer surface finish.

Laminate tops have a laminate top surface with an FSC-certified particle board core and a neutral tone backer sheet for balanced construction. Edges can match the top

or contrast in color, in 2.8mm ABS with 2.4mm radius top and bottom edges.

Front and back edges overlap ends with a 2.4 mm radius on outside corners. Acrylonitrile Butadiene Styrene (ABS) is a polymer used as an alternative to PVC and rubber. It is phthalate-free, flame retardant, has high heat and impact resistance, good processability, dimensional stability and high gloss.

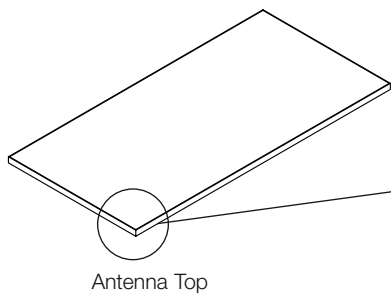
Techwood and natural veneer tops have a veneer top surface, an FSC-certified particle board core and a neutral tone backer sheet for balanced construction. Veneer tops have matching finish 2.0mm solid veneer edges on all sides. Top and bottom edges have a 2.0mm radius. Veneer grain direction is parallel to front edge on desk tops, and parallel to end on extension tops.

All tops have pilot holes for the two most common mounting conditions for desk legs and return connections: legs inset 1 1/2" or 5 1/2" from the both ends of the top.

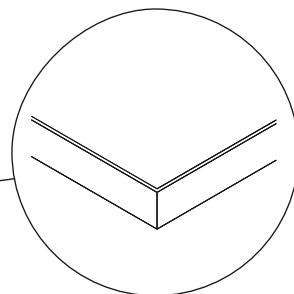
Specification Options

Tops available in any Knoll core laminate or veneer finish. For laminate tops, specify edgeband to match any Knoll core laminate. For veneer tops, edge must match top.

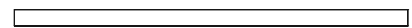
Laminate tops with centered hinged access door must specify a solid color laminate for the door. Edge finish for the door defaults to the edge finish selected for the top.



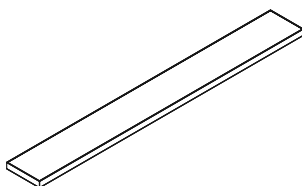
Antenna Top



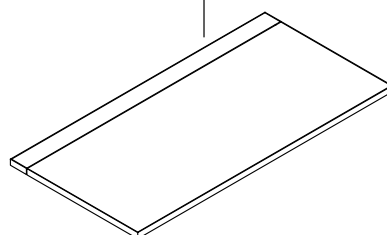
3 3/4" Hinged Access



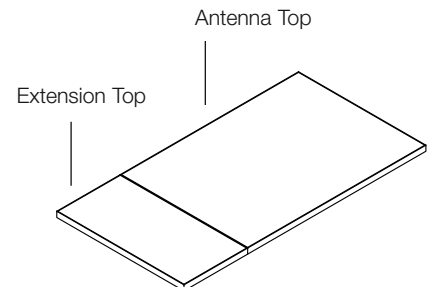
Antenna Top End Elevation



Back Top for Single Sided Big Table



Antenna Hinged Access Top

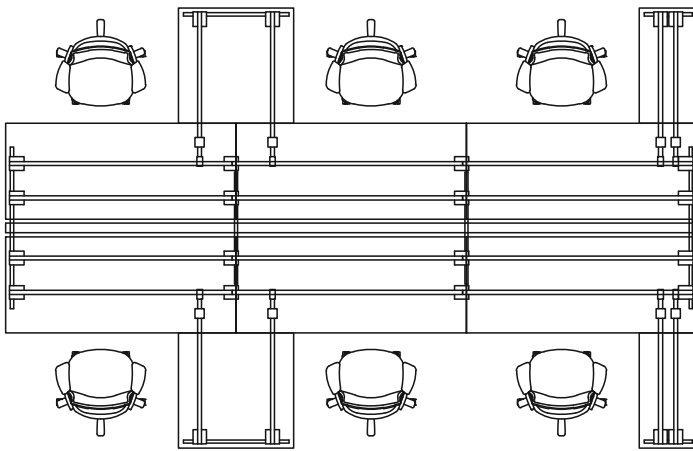


Antenna Desk Top with Extension Top

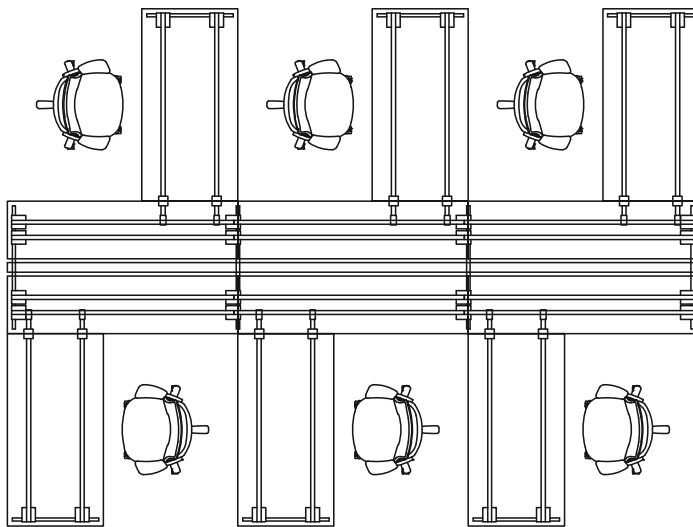
Return Top Applications

Antenna tops of any depth can serve as returns for desks or big tables at any point. For example 36", 42" or 48" deep tops can be a cost-effective shared return centered on adjacent linked desks or big table tops. These can be supported by a single pair of return rails and a desk end leg or table desk end leg.

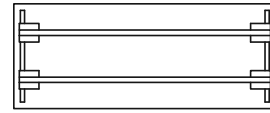
In another type of planning, 27" or 30" deep tops can become individual, primary desk surfaces as returns off of a 24" deep big table "spine".



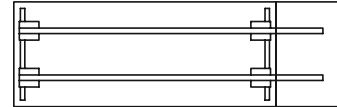
30" Deep Dual Sided Big Table with Returns as Secondary Workspaces



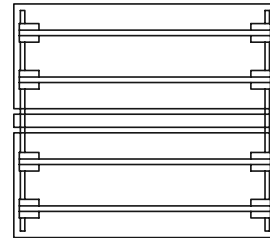
18" Deep Dual Sided Big Table with Returns as Primary Workspaces



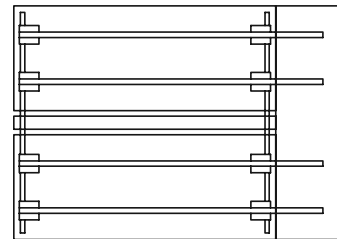
Rectangular Table



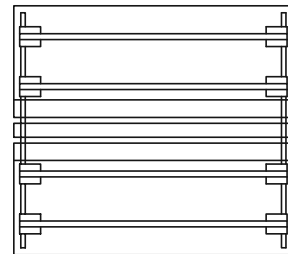
Rectangular Desk with Extension Top



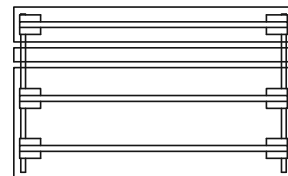
Dual Sided Big Table



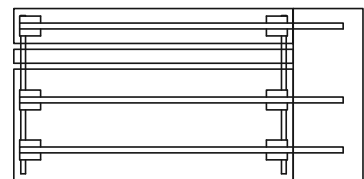
Dual Sided Big Table with Extension Top



Dual Sided Big Table with Hinged Access Tops





Single Sided Big Table



Single Sided Big Table with Extension Top

Antenna Tops For Desks or Big Tables

18" and 24" Deep Rectangular

description	w	d	h	pattern no.	Laminate (L)	M/V1 (V)	V2 (V)	V3 (V)
Antenna Tops, 18" Deep Rectangular 	30"	18"	1 1/4"	YT3018	\$204.	\$463.	\$531.	\$719.
	36"	18"	1 1/4"	YT3618	228.	488.	562.	759.
	42"	18"	1 1/4"	YT4218	265.	515.	593.	798.
	48"	18"	1 1/4"	YT4818	294.	535.	615.	831.
	54"	18"	1 1/4"	YT5418	312.	561.	647.	870.
	60"	18"	1 1/4"	YT6018	340.	589.	678.	912.
	66"	18"	1 1/4"	YT6618	366.	613.	705.	953.
	72"	18"	1 1/4"	YT7218	386.	641.	734.	992.
	78"	18"	1 1/4"	YT7818	416.	664.	765.	1,034.
	84"	18"	1 1/4"	YT8418	437.	698.	802.	1,084.
	90"	18"	1 1/4"	YT9018	486.	730.	834.	1,132.
96"	18"	1 1/4"	YT9618	539.	756.	867.	1,170.	
Antenna Tops, 24" Deep Rectangular 	30"	24"	1 1/4"	YT3024	234.	503.	576.	781.
	36"	24"	1 1/4"	YT3624	263.	528.	608.	822.
	42"	24"	1 1/4"	YT4224	300.	555.	640.	861.
	48"	24"	1 1/4"	YT4824	336.	579.	666.	902.
	54"	24"	1 1/4"	YT5424	364.	618.	711.	961.
	60"	24"	1 1/4"	YT6024	392.	657.	758.	1,024.
	66"	24"	1 1/4"	YT6624	424.	685.	787.	1,063.
	72"	24"	1 1/4"	YT7224	441.	710.	820.	1,104.
	78"	24"	1 1/4"	YT7824	476.	744.	857.	1,156.
	84"	24"	1 1/4"	YT8424	503.	778.	893.	1,206.
	90"	24"	1 1/4"	YT9024	566.	808.	931.	1,256.
96"	24"	1 1/4"	YT9624	616.	839.	968.	1,306.	

Ordering Information

Antenna Tops

1. Pattern Number
2. Top Finish
3. Edge Finish
(for laminate tops only)

Order Code

Antenna Tops

Example: **YT7824L, 118, 118**

YT	Pattern Number
78	Width
24	Depth
L	Laminate
118	Bright White Top
118	Bright White Edge

Included With

Antenna Tops

Options

Antenna Tops

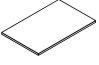

Top Finish Options:

Add an (L) for laminate, (M) for laminate with wood edge or (V) for veneer suffix to pattern number.

Specify 18" deep tops for return or bridge applications only.

Antenna Tops For Desks or Big Tables

27" and 30" Deep Rectangular

description	w	d	h	pattern no.	Laminate (L)	M/V1 (V)	V2 (V)	V3 (V)
Antenna Tops, 27" Deep Rectangular 	30"	27"	1 1/4"	YT3027	\$265.	\$521.	\$601.	\$811.
	36"	27"	1 1/4"	YT3627	294.	555.	640.	861.
	42"	27"	1 1/4"	YT4227	330.	579.	666.	902.
	48"	27"	1 1/4"	YT4827	364.	613.	705.	953.
	54"	27"	1 1/4"	YT5427	405.	652.	751.	1,012.
	60"	27"	1 1/4"	YT6027	440.	692.	794.	1,072.
	66"	27"	1 1/4"	YT6627	484.	710.	820.	1,104.
	72"	27"	1 1/4"	YT7227	505.	735.	849.	1,143.
	78"	27"	1 1/4"	YT7827	540.	770.	885.	1,196.
	84"	27"	1 1/4"	YT8427	572.	802.	921.	1,247.
	90"	27"	1 1/4"	YT9027	628.	839.	968.	1,306.
96"	27"	1 1/4"	YT9627	680.	874.	1,006.	1,356.	
Antenna Tops, 30" Deep Rectangular 	30"	30"	1 1/4"	YT3030	294.	549.	630.	851.
	36"	30"	1 1/4"	YT3630	326.	589.	678.	912.
	42"	30"	1 1/4"	YT4230	354.	607.	698.	941.
	48"	30"	1 1/4"	YT4830	392.	652.	751.	1,011.
	54"	30"	1 1/4"	YT5430	445.	692.	794.	1,072.
	60"	30"	1 1/4"	YT6030	490.	730.	838.	1,134.
	66"	30"	1 1/4"	YT6630	547.	744.	857.	1,156.
	72"	30"	1 1/4"	YT7230	566.	770.	885.	1,196.
	78"	30"	1 1/4"	YT7830	606.	802.	921.	1,247.
	84"	30"	1 1/4"	YT8430	644.	834.	960.	1,297.
	90"	30"	1 1/4"	YT9030	692.	874.	1,006.	1,356.
96"	30"	1 1/4"	YT9630	740.	906.	1,041.	1,408.	

Tops

Ordering Information

Antenna Tops

1. Pattern Number
2. Top Finish
3. Edge Finish
(for laminate tops only)

Order Code

Antenna Tops

Example: **YT7827L, 118, 118**

YT	Pattern Number
78	Width
27	Depth
L	Laminate
118	Bright White Top
118	Bright White Edge

Included With

Antenna Tops

Options


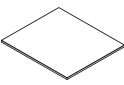
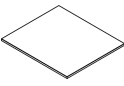
Antenna Tops

Top Finish Options:

Add an (L) for laminate, (M) for laminate with wood edge or (V) for veneer suffix to pattern number.

Antenna Tops For Desks or Big Tables

36", 42" and 48" Deep Rectangular

description	w	d	h	pattern no.	Laminate (L)	M/V1 (V)	V2 (V)	V3 (V)
Antenna Tops, 36" Deep Rectangular 	30"	36"	1 1/4"	YT3036	\$321.	\$589.	\$678.	\$912.
	36"	36"	1 1/4"	YT3636	356.	625.	720.	971.
	42"	36"	1 1/4"	YT4236	389.	664.	765.	1,034.
	48"	36"	1 1/4"	YT4836	430.	704.	811.	1,093.
	54"	36"	1 1/4"	YT5436	488.	744.	857.	1,156.
	60"	36"	1 1/4"	YT6036	540.	783.	901.	1,215.
	66"	36"	1 1/4"	YT6636	601.	823.	944.	1,274.
	72"	36"	1 1/4"	YT7236	622.	861.	990.	1,337.
	78"	36"	1 1/4"	YT7836	664.	901.	1,036.	1,397.
	84"	36"	1 1/4"	YT8436	707.	939.	1,081.	1,458.
	90"	36"	1 1/4"	YT9036	760.	980.	1,125.	1,519.
96"	36"	1 1/4"	YT9636	817.	1,010.	1,164.	1,568.	
Antenna Tops, 42" Deep Rectangular 	42"	42"	1 1/4"	YT4242	421.	714.	823.	1,110.
	84"	42"	1 1/4"	YT8442	779.	1,009.	1,163.	1,567.
Antenna Tops, 48" Deep Rectangular 	30"	48"	1 1/4"	YT3048	373.	680.	781.	1,054.
	36"	48"	1 1/4"	YT3648	410.	710.	820.	1,104.
	42"	48"	1 1/4"	YT4248	449.	763.	877.	1,182.
	48"	48"	1 1/4"	YT4848	516.	808.	931.	1,256.
	54"	48"	1 1/4"	YT5448	589.	856.	986.	1,329.
	60"	48"	1 1/4"	YT6048	649.	901.	1,036.	1,397.
	66"	48"	1 1/4"	YT6648	720.	944.	1,088.	1,470.
	72"	48"	1 1/4"	YT7248	750.	990.	1,138.	1,539.
	78"	48"	1 1/4"	YT7848	797.	1,036.	1,192.	1,606.
	84"	48"	1 1/4"	YT8448	849.	1,081.	1,244.	1,676.
	90"	48"	1 1/4"	YT9048	913.	1,125.	1,294.	1,746.
96"	48"	1 1/4"	YT9648	980.	1,164.	1,337.	1,806.	

Ordering Information

Antenna Tops

1. Pattern Number
2. Top Finish
3. Edge Finish (for laminate tops only)

Order Code

Antenna Tops

Example: **YT7836L, 118, 118**

YT	Pattern Number
78	Width
36	Depth
L	Laminate
118	Bright White Top
118	Bright White Edge

Included With

Antenna Tops

Options

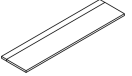
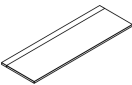
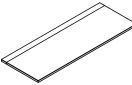
Antenna Tops

Top Finish Options:

Add an (L) for laminate, (M) for laminate with wood edge or (V) for veneer suffix to pattern number.

Antenna Hinged Access Tops for Big Tables

18", 24" and 27" Deep Rectangular

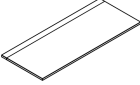
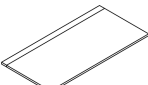
description	w	d	h	pattern no.	Laminate (L)	M/V1 (V)	V2 (V)	V3 (V)
Antenna Big Table Tops with Hinged Access, 18" Deep 	48"	18"	1 1/4"	YTH4818	\$675.	\$915.	\$994.	\$1,211.
	54"	18"	1 1/4"	YTH5418	693.	940.	1,028.	1,251.
	60"	18"	1 1/4"	YTH6018	720.	968.	1,057.	1,291.
	66"	18"	1 1/4"	YTH6618	747.	992.	1,086.	1,333.
	72"	18"	1 1/4"	YTH7218	766.	1,019.	1,115.	1,373.
	78"	18"	1 1/4"	YTH7818	794.	1,044.	1,145.	1,413.
	84"	18"	1 1/4"	YTH8418	818.	1,077.	1,180.	1,464.
Antenna Big Table Tops with Hinged Access, 24" Deep 	48"	24"	1 1/4"	YTH4824	677.	919.	1,058.	1,428.
	54"	24"	1 1/4"	YTH5424	703.	959.	1,102.	1,487.
	60"	24"	1 1/4"	YTH6024	731.	996.	1,147.	1,550.
	66"	24"	1 1/4"	YTH6624	763.	1,025.	1,177.	1,591.
	72"	24"	1 1/4"	YTH7224	782.	1,049.	1,208.	1,631.
	78"	24"	1 1/4"	YTH7824	814.	1,083.	1,247.	1,681.
	84"	24"	1 1/4"	YTH8424	839.	1,115.	1,282.	1,731.
Antenna Big Table Tops with Hinged Access, 27" Deep 	48"	27"	1 1/4"	YTH4827	703.	953.	1,096.	1,478.
	54"	27"	1 1/4"	YTH5427	744.	991.	1,139.	1,540.
	60"	27"	1 1/4"	YTH6027	781.	1,032.	1,184.	1,598.
	66"	27"	1 1/4"	YTH6627	825.	1,049.	1,208.	1,631.
	72"	27"	1 1/4"	YTH7227	841.	1,076.	1,239.	1,670.
	78"	27"	1 1/4"	YTH7827	879.	1,110.	1,274.	1,721.
	84"	27"	1 1/4"	YTH8427	912.	1,140.	1,312.	1,771.

Tops

Ordering Information	Order Code	Included With	Options
Antenna Big Table Tops 1. Pattern Number 2. Top Finish 3. Edge Finish (for laminate tops only) 4. Paint Finish	Antenna Big Table Tops <i>Example:</i> YTH7827L, 118, 118, 118T <hr/> YT Pattern Number <hr/> H Hinged Access <hr/> 78 Width <hr/> 27 Depth <hr/> L Laminate <hr/> 118 Bright White Top <hr/> 118 Bright White Edge <hr/> 118T Bright White Paint	Antenna Big Table Tops	Antenna Big Table Tops Top Finish Options: Add an (L) for laminate, (M) for laminate with wood edge or (V) for veneer suffix to pattern number.

Antenna Hinged Access Tops for Big Tables

30" and 36" Deep Rectangular

description	w	d	h	pattern no.	Laminate (L)	M/V1 (V)	V2 (V)	V3 (V)
Antenna Big Table Tops with Hinged Access, 30" Deep 	48"	30"	1 1/4"	YTH4830	\$731.	\$991.	\$1,139.	\$1,540.
	54"	30"	1 1/4"	YTH5430	784.	1,032.	1,184.	1,598.
	60"	30"	1 1/4"	YTH6030	830.	1,069.	1,228.	1,661.
	66"	30"	1 1/4"	YTH6630	884.	1,089.	1,252.	1,691.
	72"	30"	1 1/4"	YTH7230	906.	1,110.	1,274.	1,721.
	78"	30"	1 1/4"	YTH7830	943.	1,140.	1,312.	1,771.
	84"	30"	1 1/4"	YTH8430	984.	1,173.	1,349.	1,822.
Antenna Big Table Tops with Hinged Access, 36" Deep 	48"	36"	1 1/4"	YTH4836	849.	1,122.	1,227.	1,510.
	54"	36"	1 1/4"	YTH5436	906.	1,163.	1,273.	1,574.
	60"	36"	1 1/4"	YTH6036	958.	1,201.	1,318.	1,634.
	66"	36"	1 1/4"	YTH6636	1,018.	1,241.	1,364.	1,693.
	72"	36"	1 1/4"	YTH7236	1,040.	1,279.	1,409.	1,756.
	78"	36"	1 1/4"	YTH7836	1,083.	1,318.	1,453.	1,816.
	84"	36"	1 1/4"	YTH8436	1,124.	1,357.	1,498.	1,876.

Ordering Information

Antenna Tops

1. Pattern Number
2. Top Finish
3. Edge Finish
(for laminate tops only)
4. Paint Finish

Order Code

Antenna Tops

Example: **YTH7830L, 118, 118,**

118T

YT Pattern Number

H Hinged Access

78 Width

30 Depth

L Laminate

118 Bright White Top

118 Bright White Edge

118T Bright White Paint

Included With

Antenna Tops

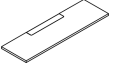
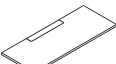
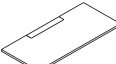
Options

Antenna Tops

Top Finish Options:

Add an (L) for laminate, (M) for laminate with wood edge or (V) for veneer suffix to pattern number.

Antenna Centered Hinged Access Tops for Big Tables 18", 24" and 27" Deep Rectangular

description	w	d	h	pattern no.	Laminate (L)	M/V1 (V)	V2 (V)	V3 (V)
Antenna Big Table Tops with Centered Hinged Access, 18" Deep 	48"	18"	1 1/4"	YTD4818	\$675.	\$915.	\$994.	\$1,211.
	54"	18"	1 1/4"	YTD5418	693.	940.	1,028.	1,251.
	60"	18"	1 1/4"	YTD6018	720.	968.	1,057.	1,291.
	66"	18"	1 1/4"	YTD6618	747.	992.	1,086.	1,333.
	72"	18"	1 1/4"	YTD7218	766.	1,019.	1,115.	1,373.
	78"	18"	1 1/4"	YTD7818	794.	1,044.	1,145.	1,413.
	84"	18"	1 1/4"	YTD8418	818.	1,077.	1,180.	1,464.
Antenna Big Table Tops with Centered Hinged Access, 24" Deep 	48"	24"	1 1/4"	YTD4824	677.	919.	1,058.	1,428.
	54"	24"	1 1/4"	YTD5424	703.	959.	1,102.	1,487.
	60"	24"	1 1/4"	YTD6024	731.	996.	1,147.	1,550.
	66"	24"	1 1/4"	YTD6624	763.	1,025.	1,177.	1,591.
	72"	24"	1 1/4"	YTD7224	782.	1,049.	1,208.	1,631.
	78"	24"	1 1/4"	YTD7824	814.	1,083.	1,247.	1,681.
	84"	24"	1 1/4"	YTD8424	839.	1,115.	1,282.	1,731.
Antenna Big Table Tops with Centered Hinged Access, 27" Deep 	48"	27"	1 1/4"	YTD4827	703.	953.	1,096.	1,478.
	54"	27"	1 1/4"	YTD5427	744.	991.	1,139.	1,540.
	60"	27"	1 1/4"	YTD6027	781.	1,032.	1,184.	1,598.
	66"	27"	1 1/4"	YTD6627	825.	1,049.	1,208.	1,631.
	72"	27"	1 1/4"	YTD7227	841.	1,076.	1,239.	1,670.
	78"	27"	1 1/4"	YTD7827	879.	1,110.	1,274.	1,721.
	84"	27"	1 1/4"	YTD8427	912.	1,140.	1,312.	1,771.

Tops

Ordering Information

Antenna Big Table Tops

1. Pattern Number
2. Top Finish
3. Door Finish
(for laminate tops only)
4. Edge Finish
(for laminate tops only)
5. Paint Finish

Order Code

Antenna Big Table Tops

Example: **YTD7827L, 118, 118, 118, 118T**

YT	Pattern Number
D	Centered Hinged Access
78	Width
27	Depth
L	Laminate
118	Bright White Top
118	Bright White Door
118	Bright White Edge
118T	Bright White Paint

Included With

Antenna Big Table Tops

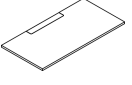
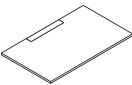
Options

Antenna Big Table Tops

Top Finish Options:
Add an (L) for laminate, (M) for laminate with wood edge or (V) for veneer suffix to pattern number.

Antenna Centered Hinged Access Tops for Big Tables

30" and 36" Deep Rectangular

description	w	d	h	pattern number	Laminate (L)	M/V1 (V)	V2 (V)	V3 (V)
Antenna Big Table Tops with Centered Hinged Access, 30" Deep 	48"	30"	1 1/4"	YTD4830	\$731.	\$991.	\$1,139.	\$1,540.
	54"	30"	1 1/4"	YTD5430	784.	1,032.	1,184.	1,598.
	60"	30"	1 1/4"	YTD6030	830.	1,069.	1,228.	1,661.
	66"	30"	1 1/4"	YTD6630	884.	1,089.	1,252.	1,691.
	72"	30"	1 1/4"	YTD7230	906.	1,110.	1,274.	1,721.
	78"	30"	1 1/4"	YTD7830	943.	1,140.	1,312.	1,771.
	84"	30"	1 1/4"	YTD8430	984.	1,173.	1,349.	1,822.
Antenna Big Table Tops with Centered Hinged Access, 36" Deep 	48"	36"	1 1/4"	YTD4836	849.	1,122.	1,227.	1,510.
	54"	36"	1 1/4"	YTD5436	906.	1,163.	1,273.	1,574.
	60"	36"	1 1/4"	YTD6036	958.	1,201.	1,318.	1,634.
	66"	36"	1 1/4"	YTD6636	1,018.	1,241.	1,364.	1,693.
	72"	36"	1 1/4"	YTD7236	1,040.	1,279.	1,409.	1,756.
	78"	36"	1 1/4"	YTD7836	1,083.	1,318.	1,453.	1,816.
	84"	36"	1 1/4"	YTD8436	1,124.	1,357.	1,498.	1,876.

Ordering Information

Antenna Big Table Tops

1. Pattern Number
2. Top Finish
3. Door Finish
(for laminate tops only)
4. Edge Finish
(for laminate tops only)
5. Paint Finish

Order Code

Antenna Big Table Tops

Example: **YTD7827L, 118, 118, 118, 118T**

YT	Pattern Number
D	Centered Hinged Access
78	Width
27	Depth
L	Laminate
118	Bright White Top
118	Bright White Door
118	Bright White Edge
118T	Bright White Paint

Included With

Antenna Big Table Tops

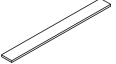
Options

Antenna Big Table Tops

Top Finish Options:
 Add an (L) for laminate, (M) for laminate with wood edge or (V) for veneer suffix to pattern number.

Antenna Back Tops for Single Sided Big Tables

7.5" Deep Rectangular

description	w	d	pattern no.	Laminate (L)	M/V1 (V)	V2 (V)	V3 (V)
Antenna Back Tops for Single Sided Big Tables, 7.5" Deep 	48"	7.5"	YT4808	\$207.	\$408.	\$470.	\$609.
	54"	7.5"	YT5408	219.	425.	488.	636.
	60"	7.5"	YT6008	258.	464.	535.	694.
	66"	7.5"	YT6608	264.	473.	544.	707.
	72"	7.5"	YT7208	274.	482.	554.	719.
	78"	7.5"	YT7808	279.	488.	562.	730.
	84"	7.5"	YT8408	287.	531.	612.	792.

Tops

Ordering Information

Antenna Tops

1. Pattern Number
2. Top Finish
3. Edge Finish
(for laminate tops only)

Order Code

Antenna Tops

Example: **YT5408L, 118, 118**

YT	Top
54	Width
08	Depth
L	Laminate
118	Bright White Top
118	Bright White Edge

Included With

Antenna Tops

Options






Antenna Tops

Top Finish Options:

Add an (L) for laminate, (M) for laminate with wood edge or (V) for veneer suffix to pattern number.

Antenna Extension Tops for Desks and Big Tables

15" and 18" Wide Rectangular

description	type	w	d	h	pattern no.	Laminate (L)	M/V1 (V)	V2 (V)	V3 (V)
Antenna Desk Extension Tops, 15" Wide Rectangular 	For use with 24" deep desk tops	15"	24"	1 1/4"	YTE1524	\$191.	\$365.	\$421.	\$566.
	For use with 27" deep desk tops	15"	27"	1 1/4"	YTE1527	199.	379.	435.	589.
	For use with 30" deep desk tops	15"	30"	1 1/4"	YTE1530	204.	390.	449.	608.
	For use with 36" deep desk tops	15"	36"	1 1/4"	YTE1536	228.	419.	480.	649.
Antenna Back to Back Desk Extension Tops, 15" Wide Rectangular 	For use with 18" deep back to back tops	15"	39 3/4"	1 1/4"	YTE1539	305.	437.	503.	680.
	For use with 24" deep back to back tops	15"	51 3/4"	1 1/4"	YTE1552	350.	491.	565.	763.
	For use with 27" deep back to back tops	15"	57 3/4"	1 1/4"	YTE1558	364.	510.	589.	790.
	For use with 30" deep back to back tops	15"	63 3/4"	1 1/4"	YTE1564	380.	530.	610.	826.
	For use with 36" deep back to back tops	15"	75 3/4"	1 1/4"	YTE1576	392.	540.	613.	874.
Antenna Dual Sided Big Table Extension Tops, 15" Wide Rectangular 	For use with 18" deep dual big table tops	15"	41 1/2"	1 1/4"	YTE1541	305.	437.	503.	680.
	For use with 24" deep dual big table tops	15"	53 1/2"	1 1/4"	YTE1553	350.	491.	565.	763.
	For use with 27" deep dual big table tops	15"	59 1/2"	1 1/4"	YTE1559	364.	510.	589.	790.
	For use with 30" deep dual big table tops	15"	65 1/2"	1 1/4"	YTE1565	380.	530.	610.	826.
	For use with 36" deep dual big table tops	15"	77 1/2"	1 1/4"	YTE1577	392.	540.	613.	874.
Antenna Dual Sided Big Table Extension Tops, 18" Wide Rectangular 	For use with 18" deep dual big table tops	18"	41 1/2"	1 1/4"	YTE1841	312.	524.	604.	814.
	For use with 24" deep dual big table tops	18"	53 1/2"	1 1/4"	YTE1853	361.	592.	677.	917.
	For use with 27" deep dual big table tops	18"	59 1/2"	1 1/4"	YTE1859	398.	615.	705.	953.
	For use with 30" deep dual big table tops	18"	65 1/2"	1 1/4"	YTE1865	409.	641.	729.	989.
	For use with 36" deep dual big table tops	18"	77 1/2"	1 1/4"	YTE1877	433.	651.	749.	1,037.
Antenna Single Sided Big Table Extension Tops, 15" Wide Rectangular 	For use with 18" deep single big table tops	15"	31"	1 1/4"	YTE1531	203.	447.	514.	666.
	For use with 24" deep single big table tops	15"	37"	1 1/4"	YTE1537	222.	461.	530.	688.
	For use with 27" deep single big table tops	15"	40"	1 1/4"	YTE1540	229.	467.	539.	699.
	For use with 30" deep single big table tops	15"	43"	1 1/4"	YTE1543	233.	510.	587.	762.
	For use with 36" deep single big table tops	15"	49"	1 1/4"	YTE1549	271.	524.	604.	783.

Ordering Information

Antenna Extension Tops

1. Pattern Number
2. Top Finish
3. Edge Finish
(for laminate tops only)

Order Code

Antenna Extension Tops

Example: **YTE1559L, 118, 118**

YT	Pattern Number
E	Extension
15	Width
59	Depth
L	Laminate
118	Bright White Top
118	Bright White Edge

Included With

Antenna Extension Tops

Options

Antenna Extension Tops

Top Finish Options:

Add an (L) for laminate, (M) for laminate with wood edge or (V) for veneer suffix to pattern number.

Antenna dual big tables can be planned in 120 degree configurations with 120 degree Antenna tops, deep inset intermediate legs, standard big table end legs, rails, center beams and power components.

120 degree Antenna tops match the straight top edge details for laminate and veneer surfaces. Tops have a curvilinear front edge and are available in 48"x48", 54"x54" and 60"x60" widths 24" and 27" deep. 120 degree corner tops are also available with a straight front edge 48" x 48" in 24" depth only. All tops are available with or without a 3 3/4"D hinged access on each back edge with a mitered joint in the back corner.

When planning with 120 degree tops, a deep inset intermediate leg must be specified. The vertical legs are shifted to allow for ample kneespace. The top of the deep inset intermediate leg has two standard cradles for rails, two extended arm cradles and brackets for the center beam between them.

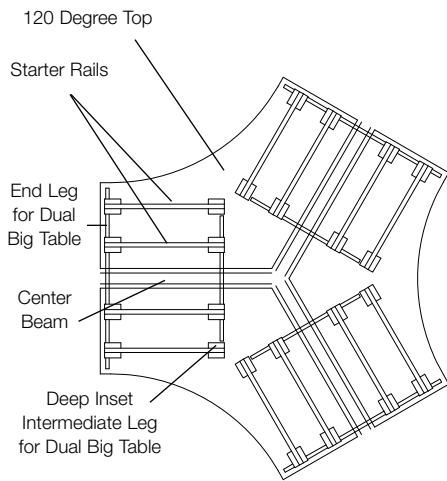
Big table 120 degree planning uses the same components and capabilities as standard straight big table applications: linked modular power components, cable baskets and wire management, center beam mounted screens, storage and monitor arms. Pedestals must be specified as mobile or freestanding with ballast for 120 degree applications.

Basic Triad Planning

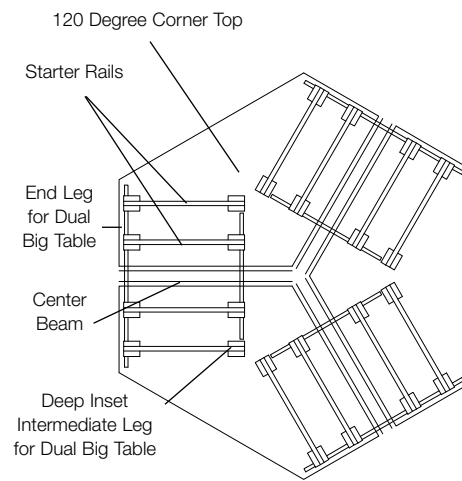
Desk tops are supported by a pair of starter rails parallel to each back edge 15" less wide than top width. Between each 120 degree desk top back edge is a matching 48", 54" or 60" center beam, with three beam end caps at the center of the configuration, as well as on outside conditions. Rails and center beam are supported by an end leg for big table at each outside end and by three deep inset intermediate legs in the center of the configuration.

Triad Planning with Extension Tops

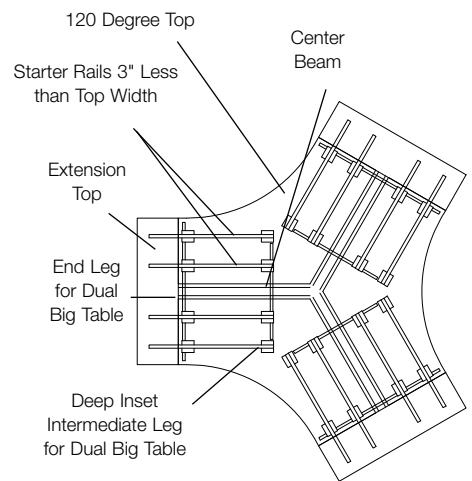
Antenna extension tops can be added at the ends of big table triads in 53" depths for 24" deep 120 tops or 59" depths for 27" deep 120 tops. Desk top rails need to be 12" longer to support the 15"W extension tops, so starter rails are 3" less than the 120 top widths. For example, specify 45" wide starter rails for 15"W extension tops planned outside the end of a triad of 48" wide 120 degree tops. Desk top rails need to be 15" longer to support 18"W extension tops, so starter rails are the same as the 120 top widths. Center beam widths remain the same, but the ends of the center beams next to extension tops need partial center beam end caps.



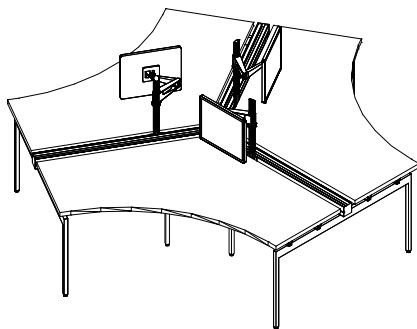
Basic Triad with 120 Degree Tops



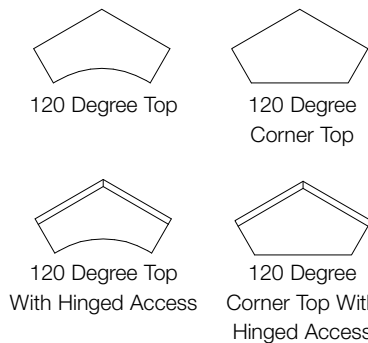
Basic Triad with 120 Degree Corner Tops



Basic Triad with 120 Degree and Extension Tops



Basic Triad with 120 Degree Tops



Top Width	Starter Rail Length	Extended Rail Length	Center Beam Width
48"	33"	36"	48"
54"	39"	42"	54"
60"	45"	48"	60"

Rail and Center Beam Dimensions for 120 Degree Planning

Triad Planning with Adjacent Rectangular Tops

Rectangular big table tops with a center beam in 48" to 84" widths can extend at the ends of big table triads. Rectangular tops can be supported by matching width extended rails, a big table intermediate leg or inset intermediate leg and a big table end leg.

Dogbone Planning Configurations

When two triads are linked, two end legs can be replaced by a single big table intermediate leg or inset intermediate leg. Two pairs of starter rails for one of the two triads should be changed to extended rails that are 3" longer. All other components are unchanged.

Dogbone configurations can also be linked by straight desk tops and matching width center beams. In this application, the straight tops can be supported by pairs of extended rails matching in width, extended rails under one of the adjacent triads and big table intermediate or inset intermediate legs.

Construction

Antenna tops are nominal 1 3/16" thick with a laminate or veneer surface finish.

Laminate tops have a laminate top surface with an FSC-certified particle board core and a neutral tone backer sheet for balanced construction. Edges can match the top or contrast in color, in 2.8mm ABS with 2.4mm radius top and bottom edges. Front and back edges overlap ends with a 2.4 mm radius on outside corners. Acrylonitrile Butadiene Styrene (ABS) is a polymer used as an alternative to PVC and rubber. It is phthalate-free, flame retardant, has high heat and impact resistance, good processability, dimensional stability and high gloss.

Techwood and natural veneer tops have a veneer top surface, an FSC-certified particle board core and a neutral tone backer sheet for balanced construction. Veneer tops have

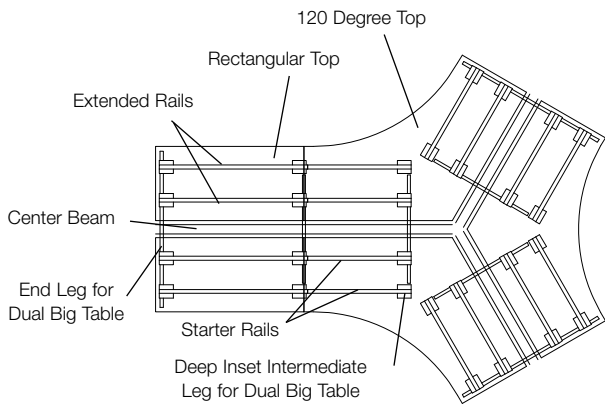
matching finish 2.0mm solid veneer edges on all sides. Top and bottom edges have a 2.0mm radius. Veneer grain direction is parallel to front edge on desk tops, and parallel to end on extension tops. Veneer grain direction on hinged access door is parallel to back edge of desk tops. All tops have pilot holes for the two most common mounting conditions for desk legs and return connections: legs inset 1 1/2" or 5 1/2" from the both ends of the top.

Specification Options

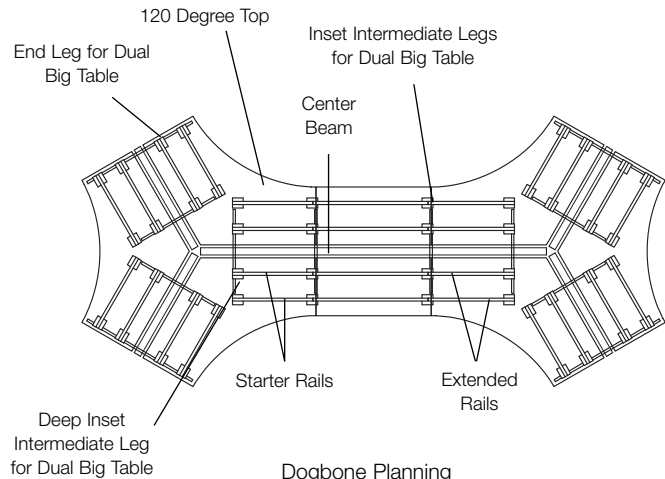
Tops available in any Knoll Core laminate or veneer finish. For laminate tops, specify edgeband to match any Knoll Core laminate.

Laminate tops with centered hinged access door in 120 shape must specify a solid color laminate for the door finish. Edge finish for the door defaults to the edge finish selected for the top.

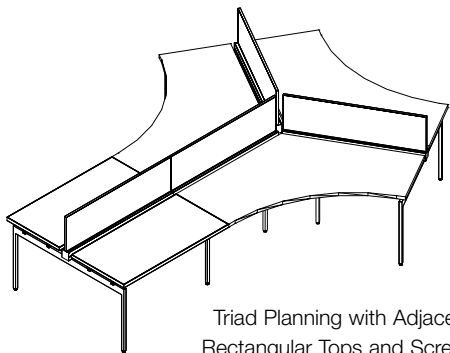
For veneer tops, edge must match top.



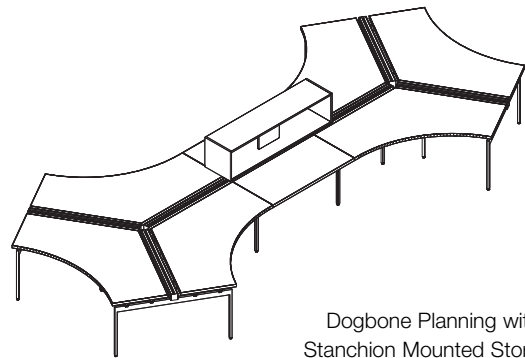
Triad Planning with Adjacent Rectangular Tops



Dogbone Planning

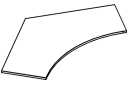
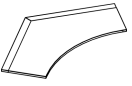
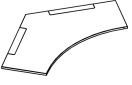
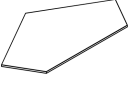
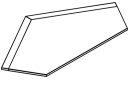
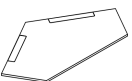


Triad Planning with Adjacent Rectangular Tops and Screens



Dogbone Planning with Stanchion Mounted Storage

Antenna Tops for 120° Planning 24" and 27" Deep

description	w	d	h	pattern no.	Laminate (L)	M/V1 (V)	V2 (V)	V3 (V)
120° Top 	48"	24"	1 1/4"	YTVC24484824()	\$861.	\$1,899.	\$2,184.	\$2,839.
	48"	27"	1 1/4"	YTVC27484827()	874.	1,930.	2,221.	2,887.
	54"	24"	1 1/4"	YTVC24545424()	918.	2,007.	2,310.	3,001.
	54"	27"	1 1/4"	YTVC27545427()	1,017.	n/a	n/a	n/a
	60"	24"	1 1/4"	YTVC24606024()	1,062.	n/a	n/a	n/a
	60"	27"	1 1/4"	YTVC27606027()	1,078.	n/a	n/a	n/a
120° Top with Hinged Access 	48"	24"	1 1/4"	YTHVC24484824()	1,758.	3,134.	3,602.	4,683.
	48"	27"	1 1/4"	YTHVC27484827()	1,770.	3,168.	3,643.	4,735.
	54"	24"	1 1/4"	YTHVC24545424()	1,818.	3,288.	3,780.	4,915.
	54"	27"	1 1/4"	YTHVC27545427()	1,831.	3,319.	3,817.	4,962.
	60"	24"	1 1/4"	YTHVC24606024()	1,990.	3,401.	3,908.	5,080.
	60"	27"	1 1/4"	YTHVC27606027()	2,006.	n/a	n/a	n/a
120° Top with Centered Hinged Access 	48"	24"	1 1/4"	YTDVC24484824()	1,758.	3,134.	n/a	n/a
	48"	27"	1 1/4"	YTDVC27484827()	1,770.	3,168.	n/a	n/a
	54"	24"	1 1/4"	YTDVC24545424()	1,818.	3,288.	n/a	n/a
	54"	27"	1 1/4"	YTDVC27545427()	1,831.	3,319.	n/a	n/a
	60"	24"	1 1/4"	YTDVC24606024()	1,990.	3,401.	n/a	n/a
	60"	27"	1 1/4"	YTDVC27606027()	2,006.	n/a	n/a	n/a
120° Corner Top 	48"	24"	1 1/4"	YTVS24484824()	861.	1,855.	2,132.	2,774.
120° Corner Top with Hinged Access 	48"	24"	1 1/4"	YTHVS24484824()	1,758.	3,212.	3,691.	4,801.
120° Corner Top with Centered Hinged Access 	48"	24"	1 1/4"	YTDVS24484824()	1,758.	3,212.	n/a	n/a

Tops

Ordering Information	Order Code	Included With	Options
Antenna Tops 1. Pattern Number 2. Top Finish 3. Edge Finish (for laminate tops only)	Antenna Tops <i>Example:</i> YTHVC27545427L, 118, 118	Antenna Tops	Antenna Tops Top Finish Options: (L) = Laminate (M) = Laminate top with wood edge (V) = Veneer
Antenna Top with Centered Hinged Access 1. Pattern Number 2. Top Finish 3. Door Finish 4. Edge Finish 5. Paint Finish	YT Antenna Top H Hinged Access VC 120° 27 Depth 54 Width 54 Width 27 Depth L Laminate 118 Bright White Laminate 118 Bright White Edge 118T Bright White Paint		

Antenna tops and worksurface shelves for use with the Template Storage System are designed to match the front edge material, profile and thickness of Antenna desk and table tops.

Antenna Tops for the Template Storage System

Antenna wood tops for Template are fastened to the top of end and mid panels for credenza or worksurface height Template units. Tops vary in width from 15"-96", based on the number of mid panels in a linked cluster of Template units. Tops are application specific because Template tops are full width for a single unit and are 1" shorter for each shared mid panel within multiple unit configurations.

Full width tops are 15" deep in 24", 30", 36", 42" and 48" widths for single unit cases.

For two position cases, with one shared mid panel, full width tops are available 1" less wide than nominal widths from 48"-96" in every 6" increment. For three position cases, with two mid panels, full width tops are available 2" less than nominal 72"-96" widths in 6" increments.

Antenna end position tops are available for end positions of multiple unit Template configurations. End position tops are 1/2" less than nominal widths, so one end of the top ends in the middle of a mid panel. For mid position applications within multiple unit cases, Antenna tops are available 1" less than nominal widths.

Both ends of a middle position top end in the middle of mid panels. End and mid position tops are designed to cover single Template section widths occurring at either the end or middle of a run.

Worksurface Shelves for the Template Storage System

Worksurface shelves are required above Template box or file drawer inserts or when attaching Antenna desk tops to Template storage units. Antenna worksurface shelves match the front edge radius and material of Antenna tops.

Worksurface shelves are available in two types: single sided and dual sided. Single sided shelves are detailed to fit flush to the front edge of the end or mid panels, with a back edge dimensioned to provide a wire drop or space for a tackable insert inside the back panel. Dual sided shelves fit flush to both the front and back edges of end or mid panels, which creates an open pass through the Template unit.

Worksurface shelves are available in every 6" increment of nominal width from 18"-48" plus 60" and 72" widths. Actual overall dimension is 2" less than nominal width.

For standard Template shelves with Template design details, specify shelves in metal, laminate or veneer.

Construction

Antenna tops are nominal 1 3/16" thick with laminate or veneer surface finish.

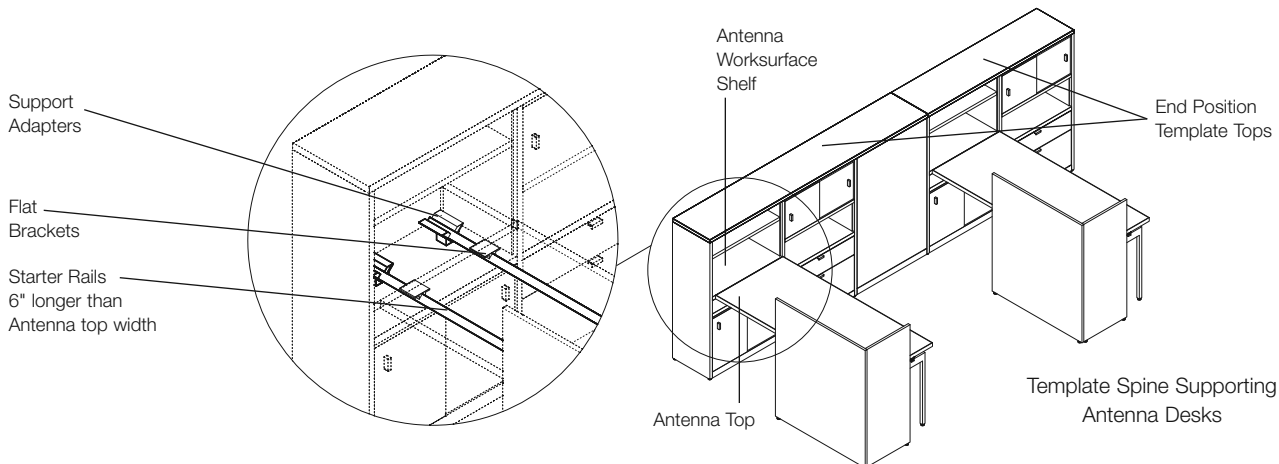
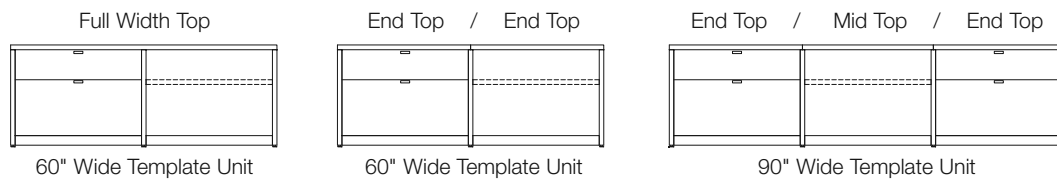
Laminate tops have a laminate top surface with an FSC-certified particle board core and a neutral tone backer sheet for balanced construction. Edges can match the top or contrast in color in 2.8mm ABS with 2.4mm radius top and bottom edges. Front and back edges overlap ends with a 2.4 mm radius on outside corners.

Acrylonitrile Butadiene Styrene (ABS) is a polymer used as an alternative to PVC and rubber. It is phthalate-free, flame retardant, has high heat and impact resistance, good processability, dimensional stability and high gloss.

Techwood and natural veneer tops have a veneer top surface with an FSC-certified particle board core and a neutral tone backer sheet for balanced construction. Veneer tops have matching finish 2.0mm solid veneer edges on all sides. Top and bottom edges have a 2.0mm radius. Veneer grain direction is parallel to front edge.

Specifications Options

Tops or worksurface shelf surfaces are available in any Knoll core laminate or veneer. For laminate tops and shelves, specify edgeband to match any Knoll core laminate. For veneer tops and shelves, edge must match top.

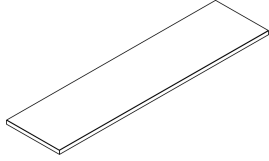


Antenna Tops and Worksurface Shelves for Template

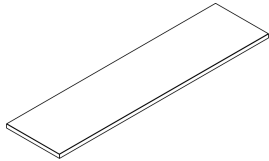
Full Width Tops

For Credenza or Worksurface Height Units

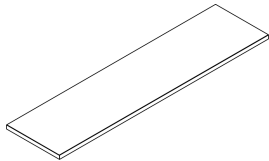
description	type	w	d	h	pattern no.	Laminate (L)	M/V1 (V)	V2 (V)	V3 (V)
Full Width Antenna Tops for Template, Single Unit Cases	24"W unit	24"	15"	1 1/4"	YTT24	\$191.	\$352.	\$406.	\$548.
	30"W unit	30"	15"	1 1/4"	YTT30	204.	373.	427.	575.
	36"W unit	36"	15"	1 1/4"	YTT36	228.	390.	449.	608.
	42"W unit	42"	15"	1 1/4"	YTT42	265.	412.	475.	642.
	48"W unit	48"	15"	1 1/4"	YTT48	294.	427.	491.	661.



Full Width Antenna Tops for Template, Double Unit Cases	48"W unit	47"	15"	1 1/4"	YTT47	294.	427.	491.	661.
	54"W unit	53"	15"	1 1/4"	YTT53	312.	471.	540.	729.
	60"W unit	59"	15"	1 1/4"	YTT59	340.	490.	563.	762.
	66"W unit	65"	15"	1 1/4"	YTT65	366.	512.	590.	792.
	72"W unit	71"	15"	1 1/4"	YTT71	386.	531.	612.	827.
	78"W unit	77"	15"	1 1/4"	YTT77	416.	558.	643.	866.
	84"W unit	83"	15"	1 1/4"	YTT83	437.	584.	672.	907.
	90"W unit	89"	15"	1 1/4"	YTT89	486.	606.	697.	939.
	96"W unit	95"	15"	1 1/4"	YTT95	539.	625.	720.	971.



Full Width Antenna Tops for Template, Triple Unit Cases	72"W unit	70"	15"	1 1/4"	YTT70	386.	531.	612.	827.
	78"W unit	76"	15"	1 1/4"	YTT76	416.	558.	643.	866.
	84"W unit	82"	15"	1 1/4"	YTT82	437.	584.	672.	907.
	90"W unit	88"	15"	1 1/4"	YTT88	486.	606.	697.	939.
	96"W unit	94"	15"	1 1/4"	YTT94	539.	625.	720.	971.

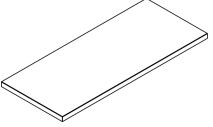
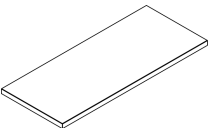
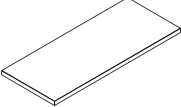


Ordering Information	Order Code	Included With	Options
Antenna Tops for Template 1. Pattern Number 2. Top Finish 3. Edge Finish (for laminate tops only)	Antenna Tops for Template <i>Example: YTT36L, 118, 118</i> YTT Template Tops 36 Width L Laminate 118 Bright White Top 118 Bright White Edge	Antenna Tops for Template	Antenna Tops for Template Top Finish Options: Add an (L) for laminate, (M) for laminate with wood edge or (V) for veneer suffix to pattern number.

Antenna Tops and Worksurface Shelves for Template

End and Mid Position Tops

For Credenza or Worksurface Height Units

description	type	w	d	h	pattern no.	Laminate (L)	M/V1 (V)	V2 (V)	V3 (V)
End Position Antenna Tops for Single Template Units 	18"W unit	17 1/2"	15"	1 1/4"	YTTE18	\$182.	\$334.	\$382.	\$516.
	24"W unit	23 1/2"	15"	1 1/4"	YTTE24	191.	352.	406.	548.
	30"W unit	29 1/2"	15"	1 1/4"	YTTE30	204.	373.	427.	575.
	36"W unit	35 1/2"	15"	1 1/4"	YTTE36	228.	390.	449.	608.
	42"W unit	41 1/2"	15"	1 1/4"	YTTE42	265.	412.	475.	642.
	48"W unit	47 1/2"	15"	1 1/4"	YTTE48	294.	427.	491.	661.
	72"W unit	70 1/2"	15"	1 1/4"	YTTE72	386.	531.	612.	827.
End Position Antenna Tops for Multiple Template Units 	(2) 30"W units	58 1/2"	15"	1 1/4"	YTTE60	340.	490.	563.	762.
	30"W + 36"W units	64 1/2"	15"	1 1/4"	YTTE66	366.	512.	590.	792.
	36"W + 42"W units	76 1/2"	15"	1 1/4"	YTTE78	416.	558.	643.	866.
	(2) 42"W units	82 1/2"	15"	1 1/4"	YTTE84	437.	584.	672.	907.
	(3) 30"W units	85 1/2"	15"	1 1/4"	YTTE87	462.	596.	684.	925.
	42"W + 48"W units	88 1/2"	15"	1 1/4"	YTTE90	486.	606.	697.	939.
	(2) 48"W units	94 1/2"	15"	1 1/4"	YTTE96	539.	625.	720.	971.
Mid Position Antenna Tops for Template 	24"W unit	23"	15"	1 1/4"	YTTM23	191.	352.	406.	548.
	30"W unit	29"	15"	1 1/4"	YTTM29	204.	373.	427.	575.
	36"W unit	35"	15"	1 1/4"	YTTM35	228.	390.	449.	608.
	42"W unit	41"	15"	1 1/4"	YTTM41	265.	412.	475.	642.
	48"W unit	47"	15"	1 1/4"	YTTM47	294.	427.	491.	661.

Ordering Information

Antenna Tops for Template

1. Pattern Number
2. Top Finish
3. Edge Finish
(for laminate tops only)

Order Code

Antenna Tops for Template

Example: **YTTE36L, 118, 118**

YTTE	Template Tops
36	Width
L	Laminate
118	Bright White Top
118	Bright White Edge

Included With

Antenna Tops for Template

Options

Antenna Tops for Template

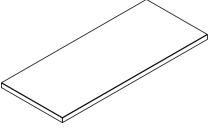
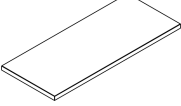
Top Finish Options:

Add an (L) for laminate, (M) for laminate with wood edge or (V) for veneer suffix to pattern number.

Antenna Tops and Worksurface Shelves for Template

Worksurface Shelves

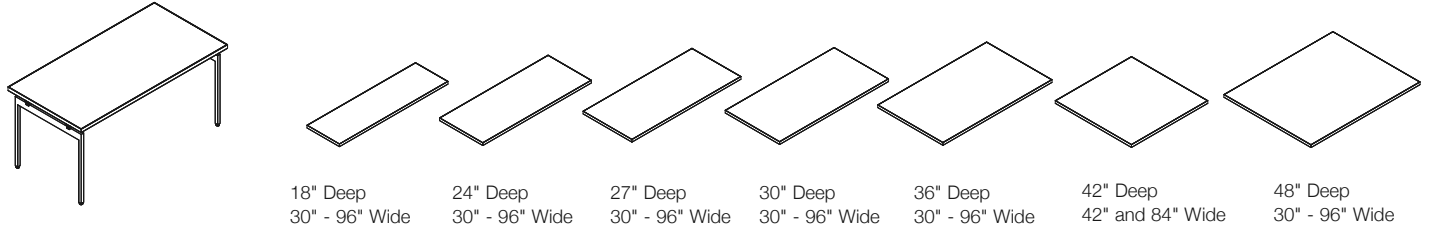
Single and Dual Sided

description	type	w	d	h	pattern no.	Laminate (L)	M/V1 (V)	V2 (V)	V3 (V)
Antenna Worksurface Shelves for Template, Single-Sided 	18"W unit	16"	14"	1 1/4"	YTWSHK118	\$262.	\$424.	\$487.	\$657.
	24"W unit	22"	14"	1 1/4"	YTWSHK124	270.	444.	510.	688.
	30"W unit	28"	14"	1 1/4"	YTWSHK130	280.	463.	531.	719.
	36"W unit	34"	14"	1 1/4"	YTWSHK136	307.	483.	556.	750.
	42"W unit	40"	14"	1 1/4"	YTWSHK142	343.	504.	577.	782.
	48"W unit	46"	14"	1 1/4"	YTWSHK148	373.	519.	599.	806.
	60"W unit	57"	14"	1 1/4"	YTWSHK160	420.	608.	699.	942.
	72"W unit	69"	14"	1 1/4"	YTWSHK172	466.	622.	718.	968.
Antenna Worksurface Shelves for Template, Dual-Sided 	18"W unit	16"	15"	1 1/4"	YTWSHK218	262.	424.	487.	657.
	24"W unit	22"	15"	1 1/4"	YTWSHK224	270.	444.	510.	688.
	30"W unit	28"	15"	1 1/4"	YTWSHK230	280.	463.	531.	719.
	36"W unit	34"	15"	1 1/4"	YTWSHK236	307.	483.	556.	750.
	42"W unit	40"	15"	1 1/4"	YTWSHK242	343.	504.	577.	782.
	48"W unit	46"	15"	1 1/4"	YTWSHK248	373.	519.	599.	806.
	72"W unit	57"	15"	1 1/4"	YTWSHK260	420.	608.	699.	942.
	72"W unit	69"	15"	1 1/4"	YTWSHK272	466.	622.	718.	968.

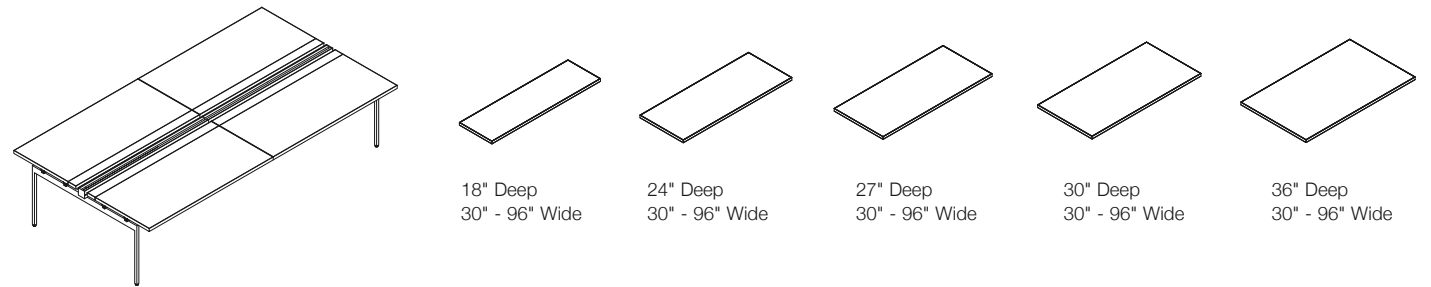
Tops

Ordering Information	Order Code	Included With	Options
Antenna Tops for Template 1. Pattern Number 2. Top Finish 3. Edge Finish (for laminate tops only)	Antenna Tops for Template <i>Example:</i> YTWSHK136L, 118, 118 YTWSHK Worksurface Shelf 36 Width L Laminate 118 Bright White Top 118 Bright White Edge	Antenna Tops for Template	Antenna Tops for Template Top Finish Options: Add an (L) for laminate, (M) for laminate with wood edge or (V) for veneer suffix to pattern number.

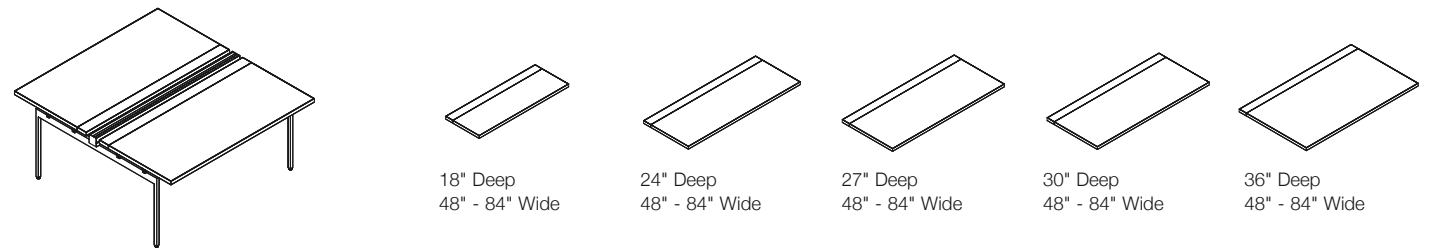
Rectangular Tops for Desks



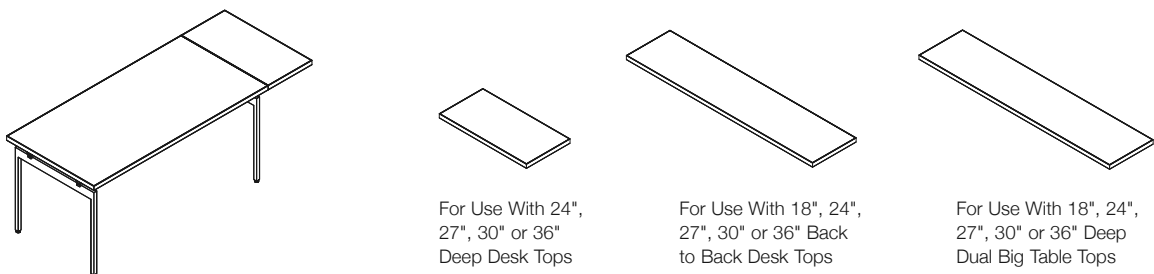
Rectangular Benching Tops for Desks or Big Tables



Rectangular with Hinged Access Tops for Big Tables



Extension Tops for Desks or Big Tables



Overlay tops are designed in rectangular shapes, with specific details optimized for desks, tables, benching or big table applications. The laminate or veneer top surface of overlay tops covers the entire surface, overlapping solid veneer edges with a generous bottom edge radius.

Overlay tops for most desk and table applications are full dimension, 18", 24", 27", 30", 36", 42" and 48" depths, and available in every 6" increment of width from 30"-96". 18" deep tops are for return or bridge applications. Overlay tops can be planned as tables, desks, returns, or bridges.

For benching and desks planned end to end and big table applications, overlay benching tops are available 24", 27" and 30" deep and in widths from 48"-84". Overlay benching tops have rectangular corners optimized for end-to-end planning.

For big table applications, overlay tops with hinged access include a full width 3 3/4" deep hinged section for easy access to outlets and wire management below the center beam. Hinged access overlay tops are available in 24", 27" and 30" overall depths and widths from 48"-84" in 6" increments.

Extension tops plan at the end of a desk, back to back desk or big table. Overlay extension tops are 15" wide and match desks 24", 27", 30" or 36" deep. Extension tops for back to back desks are 15" wide and match tops 18", 24", 27", 30" or 36" deep with overall depths of 39 3/4", 51 3/4", 57 3/4", 63 3/4" or 75 3/4". Overlay extension tops for big tables are 15" or 18" wide and match overall big table depths of 53 1/2", 59 1/2" and 65 1/2". Extension tops can be planned in the same or contrasting surface finish as adjacent laminate or veneer tops. Desk and big table connector kits and rails 12" wider than adjacent top are needed for 15" wide extension top, or 15" wider for 18" wide extension top.

Construction

Overlay tops are nominal 1 3/16" thick with a laminate or veneer surface finish.

Laminate tops have a solid core laminate or veneer top surface, an FSC-certified particle board core and a neutral tone backer sheet for balanced construction. Solid core laminates have integral color throughout the thickness of the laminate. Edges are solid 12.7mm veneer with a 0.6mm top radius and 9mm bottom radius. Outside corners of Overlay tops have an 8mm radius, except for crisp 0.6mm corners on benching tops, big table tops and on the inside corners of extension tops.

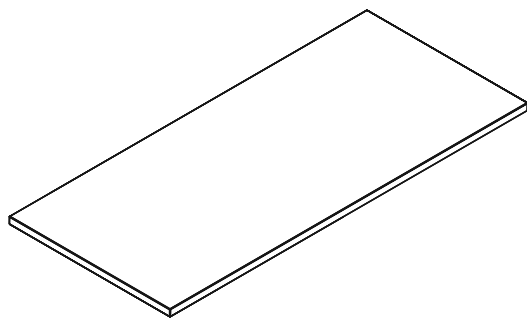
Techwood and natural veneer tops have a veneer top surface, an FSC-certified particle board core and a neutral tone backer sheet for balanced construction. Edges are solid 12.7mm veneer with a 0.6mm top radius and 9mm bottom radius. Bottom radius is only 2.4mm on ends of benching, big table tops, and inside edge of extension tops. Outside corners of Overlay tops have an 8mm radius, except for crisp 0.6mm corners on benching tops, big table tops and inside corners of extension tops.

Veneer grain direction is parallel to front edge on desk tops and parallel to the end on extension tops.

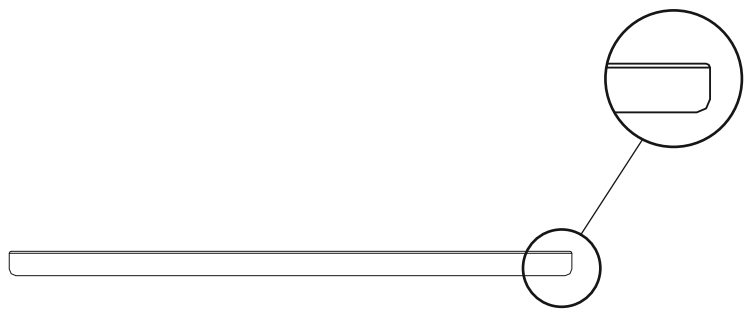
All tops have pilot holes for the most common mounting conditions for desk legs and return connections: legs inset 1 1/2" or 5 1/2" from the both ends of top.

Specifications Options

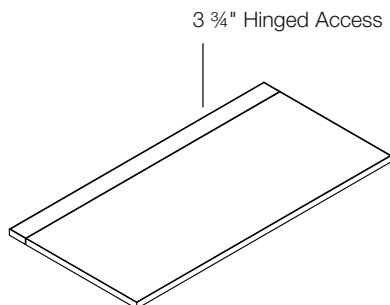
Top surface is available in a limited range of solid core laminates or in any Knoll core veneer. For both solid core laminate and veneer, specify edgeband in any Knoll core veneer.



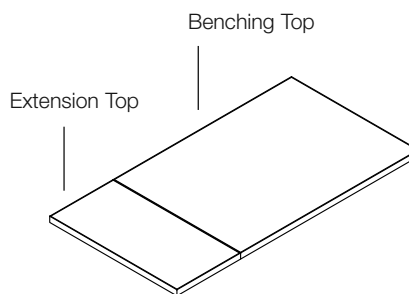
Overlay Top



Overlay Top Edge Elevation





Overlay Hinged Access Top



Overlay Benching Top with Extension Top

Overlay Tops for Desks 18" and 24" Deep Rectangular

description	w	d	h	pattern no.	Color Core Laminate (C)	V1 (V)	V2 (V)	V3 (V)
Overlay Desk Tops, 18" Deep Rectangular 	30"	18"	1 1/4"	YP3018	\$1,114.	\$1,090.	\$1,159.	\$1,221.
	36"	18"	1 1/4"	YP3618	1,167.	1,111.	1,184.	1,266.
	42"	18"	1 1/4"	YP4218	1,223.	1,133.	1,215.	1,310.
	48"	18"	1 1/4"	YP4818	1,291.	1,166.	1,258.	1,366.
	54"	18"	1 1/4"	YP5418	1,343.	1,182.	1,286.	1,409.
	60"	18"	1 1/4"	YP6018	1,453.	1,268.	1,378.	1,512.
	66"	18"	1 1/4"	YP6618	1,520.	1,300.	1,418.	1,565.
	72"	18"	1 1/4"	YP7218	1,570.	1,319.	1,446.	1,611.
	78"	18"	1 1/4"	YP7818	1,631.	1,342.	1,476.	1,653.
	84"	18"	1 1/4"	YP8418	1,696.	1,373.	1,516.	1,707.
	90"	18"	1 1/4"	YP9018	1,749.	1,393.	1,545.	1,750.
	96"	18"	1 1/4"	YP9618	1,816.	1,425.	1,585.	1,804.
Overlay Desk Tops, 24" Deep Rectangular 	30"	24"	1 1/4"	YP3024	1,187.	1,113.	1,191.	1,280.
	36"	24"	1 1/4"	YP3624	1,272.	1,147.	1,237.	1,344.
	42"	24"	1 1/4"	YP4224	1,343.	1,172.	1,270.	1,400.
	48"	24"	1 1/4"	YP4824	1,412.	1,198.	1,305.	1,452.
	54"	24"	1 1/4"	YP5424	1,489.	1,228.	1,347.	1,515.
	60"	24"	1 1/4"	YP6024	1,614.	1,318.	1,446.	1,635.
	66"	24"	1 1/4"	YP6624	1,691.	1,352.	1,489.	1,696.
	72"	24"	1 1/4"	YP7224	1,768.	1,378.	1,526.	1,753.
	78"	24"	1 1/4"	YP7824	1,845.	1,411.	1,568.	1,816.
	84"	24"	1 1/4"	YP8424	1,916.	1,435.	1,604.	1,870.
	90"	24"	1 1/4"	YP9024	2,030.	1,511.	1,692.	1,975.
	96"	24"	1 1/4"	YP9624	2,097.	1,538.	1,726.	2,032.

Ordering Information

Overlay Desk Tops

1. Pattern Number
2. Top Finish
3. Edge Finish (for laminate tops only)

Order Code

Overlay Desk Tops

Example: **YP7824C, 311, V440**

YT	Table
78	Width
24	Depth
C	Color Core Laminate
311	Solid Gallery White Top
V440	Natural Hemlock Edge

Included With

Overlay Desk Tops



Options

Overlay Desk Tops

Top Finish Options:

Add a (C) for color core laminate or (V) for veneer suffix to pattern number.

Overlay Tops for Desks 27" and 30" Deep Rectangular

description	w	d	h	pattern no.	Color Core Laminate (C)	V1 (V)	V2 (V)	V3 (V)
Overlay Desk Tops, 27" Deep Rectangular 	30"	27"	1 1/4"	YP3027	\$1,256.	\$1,150.	\$1,237.	\$1,337.
	36"	27"	1 1/4"	YP3627	1,333.	1,177.	1,271.	1,397.
	42"	27"	1 1/4"	YP4227	1,437.	1,232.	1,338.	1,485.
	48"	27"	1 1/4"	YP4827	1,522.	1,267.	1,385.	1,552.
	54"	27"	1 1/4"	YP5427	1,596.	1,294.	1,423.	1,613.
	60"	27"	1 1/4"	YP6027	1,715.	1,366.	1,504.	1,718.
	66"	27"	1 1/4"	YP6627	1,789.	1,390.	1,541.	1,773.
	72"	27"	1 1/4"	YP7227	1,872.	1,416.	1,577.	1,832.
	78"	27"	1 1/4"	YP7827	1,956.	1,451.	1,623.	1,904.
	84"	27"	1 1/4"	YP8427	2,039.	1,479.	1,662.	1,966.
	90"	27"	1 1/4"	YP9027	2,146.	1,543.	1,736.	2,059.
	96"	27"	1 1/4"	YP9627	2,221.	1,567.	1,773.	2,121.
Overlay Desk Tops, 30" Deep Rectangular 	30"	30"	1 1/4"	YP3030	1,297.	1,167.	1,255.	1,371.
	36"	30"	1 1/4"	YP3630	1,395.	1,208.	1,310.	1,449.
	42"	30"	1 1/4"	YP4230	1,485.	1,246.	1,357.	1,524.
	48"	30"	1 1/4"	YP4830	1,574.	1,271.	1,397.	1,586.
	54"	30"	1 1/4"	YP5430	1,669.	1,310.	1,446.	1,660.
	60"	30"	1 1/4"	YP6030	1,779.	1,373.	1,522.	1,758.
	66"	30"	1 1/4"	YP6630	1,874.	1,410.	1,569.	1,831.
	72"	30"	1 1/4"	YP7230	1,964.	1,437.	1,612.	1,898.
	78"	30"	1 1/4"	YP7830	2,052.	1,475.	1,660.	1,972.
	84"	30"	1 1/4"	YP8430	2,139.	1,503.	1,698.	2,037.
	90"	30"	1 1/4"	YP9030	2,276.	1,589.	1,797.	2,159.
	96"	30"	1 1/4"	YP9630	2,356.	1,615.	1,832.	2,224.

Tops

Ordering Information

Overlay Desk Tops

1. Pattern Number
2. Top Finish
3. Edge Finish (for laminate tops only)

Order Code

Overlay Desk Tops

Example: **YP7827C, 311, V440**

YT	Table
78	Width
27	Depth
C	Color Core Laminate
311	Solid Gallery White Top
V440	Natural Hemlock Edge

Included With

Overlay Desk Tops

Options

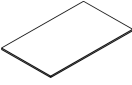
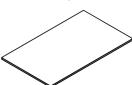
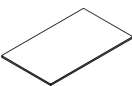
Overlay Desk Tops

Top Finish Options:

Add a (C) for color core laminate or (V) for veneer suffix to pattern number.

Overlay Tops for Desks

36", 42" and 48" Deep Rectangular

description	w	d	h	pattern no.	Color Core Laminate (C)	V1 (V)	V2 (V)	V3 (V)
Overlay Desk Tops, 36" Deep Rectangular 	30"	36"	1 1/4"	YP3036	\$1,395.	\$1,208.	\$1,310.	\$1,449.
	36"	36"	1 1/4"	YP3636	1,504.	1,249.	1,363.	1,532.
	42"	36"	1 1/4"	YP4236	1,603.	1,277.	1,408.	1,605.
	48"	36"	1 1/4"	YP4836	1,712.	1,319.	1,463.	1,692.
	54"	36"	1 1/4"	YP5436	1,819.	1,359.	1,516.	1,775.
	60"	36"	1 1/4"	YP6036	1,953.	1,427.	1,596.	1,889.
	66"	36"	1 1/4"	YP6636	2,058.	1,470.	1,650.	1,971.
	72"	36"	1 1/4"	YP7236	2,160.	1,496.	1,695.	2,046.
	78"	36"	1 1/4"	YP7836	2,259.	1,528.	1,741.	2,121.
	84"	36"	1 1/4"	YP8436	2,360.	1,559.	1,785.	2,198.
	90"	36"	1 1/4"	YP9036	2,492.	1,634.	1,871.	2,312.
	96"	36"	1 1/4"	YP9636	2,600.	1,664.	1,918.	2,388.
Overlay Desk Tops, 42" Deep Rectangular 	42"	42"	1 1/4"	YP4242	1,732.	1,332.	1,475.	1,708.
	84"	42"	1 1/4"	YP8442	2,600.	1,617.	1,871.	2,355.
Overlay Desk Tops, 48" Deep Rectangular 	30"	48"	1 1/4"	YP3048	1,586.	1,286.	1,411.	1,598.
	36"	48"	1 1/4"	YP3648	1,722.	1,335.	1,477.	1,705.
	42"	48"	1 1/4"	YP4248	1,860.	1,382.	1,541.	1,813.
	48"	48"	1 1/4"	YP4848	2,021.	1,415.	1,593.	1,904.
	54"	48"	1 1/4"	YP5448	2,150.	1,451.	1,645.	1,998.
	60"	48"	1 1/4"	YP6048	2,316.	1,525.	1,737.	2,130.
	66"	48"	1 1/4"	YP6648	2,446.	1,561.	1,789.	2,225.
	72"	48"	1 1/4"	YP7248	2,576.	1,598.	1,846.	2,321.
	78"	48"	1 1/4"	YP7848	2,702.	1,636.	1,900.	2,416.
	84"	48"	1 1/4"	YP8448	2,838.	1,675.	1,956.	2,514.
	90"	48"	1 1/4"	YP9048	3,001.	1,754.	2,052.	2,651.
	96"	48"	1 1/4"	YP9648	3,134.	1,790.	2,109.	2,750.

Ordering Information

Overlay Desk Tops

1. Pattern Number
2. Top Finish
3. Edge Finish (for laminate tops only)

Order Code

Overlay Desk Tops

Example: **YP7836C, 311, V440**

YT	Table
78	Width
36	Depth
C	Color Core Laminate
311	Solid Gallery White Top
V440	Natural Hemlock Edge

Included With

Overlay Desk Tops

Options

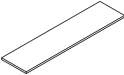


Overlay Desk Tops

Top Finish Options:

Add a (C) for color core laminate or (V) for veneer suffix to pattern number.

Overlay Benching Tops for Desks and Big Tables

18", 24" and 27" Deep Rectangular

description	w	d	h	pattern no.	Color Core Laminate (C)	V1 (V)	V2 (V)	V3 (V)
Overlay Benching Tops, 18" Deep Rectangular 	30"	18"	1 1/4"	YPB3018	\$1,139.	\$886.	\$1,019.	\$1,221.
	36"	18"	1 1/4"	YPB3618	1,192.	918.	1,057.	1,267.
	42"	18"	1 1/4"	YPB4218	1,227.	951.	1,093.	1,312.
	48"	18"	1 1/4"	YPB4818	1,266.	978.	1,123.	1,347.
	54"	18"	1 1/4"	YPB5418	1,331.	999.	1,150.	1,382.
	60"	18"	1 1/4"	YPB6018	1,393.	1,076.	1,240.	1,486.
	66"	18"	1 1/4"	YPB6618	1,487.	1,111.	1,275.	1,532.
	72"	18"	1 1/4"	YPB7218	1,585.	1,136.	1,306.	1,565.
	78"	18"	1 1/4"	YPB7818	1,678.	1,162.	1,334.	1,600.
	84"	18"	1 1/4"	YPB8418	1,772.	1,195.	1,371.	1,645.
	90"	18"	1 1/4"	YPB9018	1,835.	1,237.	1,419.	1,702.
96"	18"	1 1/4"	YPB9618	1,899.	1,266.	1,456.	1,748.	
Overlay Benching Tops, 24" Deep Rectangular 	30"	24"	1 1/4"	YPB3024	1,087.	996.	1,066.	1,207.
	36"	24"	1 1/4"	YPB3624	1,172.	1,035.	1,112.	1,270.
	42"	24"	1 1/4"	YPB4224	1,244.	1,058.	1,145.	1,327.
	48"	24"	1 1/4"	YPB4824	1,312.	1,083.	1,179.	1,379.
	54"	24"	1 1/4"	YPB5424	1,390.	1,115.	1,221.	1,439.
	60"	24"	1 1/4"	YPB6024	1,511.	1,205.	1,322.	1,559.
	66"	24"	1 1/4"	YPB6624	1,591.	1,239.	1,366.	1,621.
	72"	24"	1 1/4"	YPB7224	1,665.	1,263.	1,401.	1,679.
	78"	24"	1 1/4"	YPB7824	1,744.	1,297.	1,445.	1,742.
	84"	24"	1 1/4"	YPB8424	1,816.	1,321.	1,480.	1,797.
	90"	24"	1 1/4"	YPB9024	1,926.	1,398.	1,565.	1,901.
96"	24"	1 1/4"	YPB9624	1,997.	1,423.	1,601.	1,957.	
Overlay Benching Tops, 27" Deep Rectangular 	30"	27"	1 1/4"	YPB3027	1,149.	1,034.	1,106.	1,263.
	36"	27"	1 1/4"	YPB3627	1,250.	1,088.	1,171.	1,350.
	42"	27"	1 1/4"	YPB4227	1,333.	1,114.	1,210.	1,411.
	48"	27"	1 1/4"	YPB4827	1,415.	1,148.	1,255.	1,478.
	54"	27"	1 1/4"	YPB5427	1,489.	1,174.	1,291.	1,539.
	60"	27"	1 1/4"	YPB6027	1,611.	1,248.	1,376.	1,643.
	66"	27"	1 1/4"	YPB6627	1,686.	1,271.	1,410.	1,698.
	72"	27"	1 1/4"	YPB7227	1,768.	1,298.	1,447.	1,763.
	78"	27"	1 1/4"	YPB7827	1,852.	1,334.	1,493.	1,828.
	84"	27"	1 1/4"	YPB8427	1,931.	1,359.	1,532.	1,891.
	90"	27"	1 1/4"	YPB9027	2,040.	1,425.	1,606.	1,985.
96"	27"	1 1/4"	YPB9627	2,115.	1,448.	1,643.	2,045.	

Ordering Information

Overlay Benching Tops

1. Pattern Number
2. Top Finish
3. Edge Finish (for laminate tops only)

Order Code

Overlay Benching Tops

Example: **YPB7824C, 311, V440**

YPB	Table
78	Width
24	Depth
C	Color Core Laminate
311	Solid Gallery White Top
V440	Natural Hemlock Edge

Included With

Overlay Benching Tops

Options

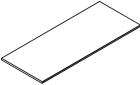
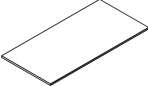
Overlay Benching Tops

Top Finish Options:

Add a (C) for color core laminate or (V) for veneer suffix to pattern number.

Overlay Benching Tops for Desks and Big Tables

30" and 36" Deep Rectangular

description	w	d	h	pattern no.	Color Core Laminate (C)	V1 (V)	V2 (V)	V3 (V)
Overlay Benching Tops, 30" Deep Rectangular 	30"	30"	1 1/4"	YPB3030	\$1,185.	\$1,043.	\$1,121.	\$1,295.
	36"	30"	1 1/4"	YPB3630	1,286.	1,086.	1,173.	1,376.
	42"	30"	1 1/4"	YPB4230	1,377.	1,122.	1,221.	1,448.
	48"	30"	1 1/4"	YPB4830	1,464.	1,148.	1,262.	1,510.
	54"	30"	1 1/4"	YPB5430	1,559.	1,185.	1,311.	1,586.
	60"	30"	1 1/4"	YPB6030	1,669.	1,250.	1,386.	1,685.
	66"	30"	1 1/4"	YPB6630	1,767.	1,286.	1,435.	1,758.
	72"	30"	1 1/4"	YPB7230	1,854.	1,315.	1,476.	1,823.
	78"	30"	1 1/4"	YPB7830	1,944.	1,350.	1,524.	1,897.
	84"	30"	1 1/4"	YPB8430	2,032.	1,379.	1,563.	1,961.
	90"	30"	1 1/4"	YPB9030	2,165.	1,466.	1,661.	2,084.
96"	30"	1 1/4"	YPB9630	2,247.	1,489.	1,698.	2,149.	
Overlay Benching Tops, 36" Deep Rectangular 	30"	36"	1 1/4"	YPB3036	1,275.	1,076.	1,165.	1,374.
	36"	36"	1 1/4"	YPB3636	1,386.	1,116.	1,216.	1,457.
	42"	36"	1 1/4"	YPB4236	1,484.	1,145.	1,260.	1,529.
	48"	36"	1 1/4"	YPB4836	1,592.	1,187.	1,316.	1,616.
	54"	36"	1 1/4"	YPB5436	1,698.	1,227.	1,370.	1,698.
	60"	36"	1 1/4"	YPB6036	1,831.	1,295.	1,449.	1,814.
	66"	36"	1 1/4"	YPB6636	1,942.	1,336.	1,504.	1,896.
	72"	36"	1 1/4"	YPB7236	2,042.	1,367.	1,550.	1,971.
	78"	36"	1 1/4"	YPB7836	2,139.	1,397.	1,594.	2,044.
	84"	36"	1 1/4"	YPB8436	2,240.	1,428.	1,639.	2,122.
	90"	36"	1 1/4"	YPB9036	2,376.	1,502.	1,726.	2,237.
96"	36"	1 1/4"	YPB9636	2,478.	1,535.	1,771.	2,313.	

Ordering Information

Overlay Benching Tops

1. Pattern Number
2. Top Finish
3. Edge Finish (for laminate tops only)

Order Code

Overlay Benching Tops

Example: **YPB7830C, 311, V440**

YPB	Table
78	Width
30	Depth
C	Color Core Laminate
311	Solid Gallery White Top
V440	Natural Hemlock Edge

Included With

Overlay Benching Tops

Options

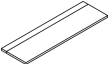
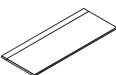
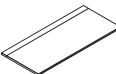
Overlay Benching Tops

Top Finish Options:

Add a (C) for color core laminate or (V) for veneer suffix to pattern number.

Overlay Hinged Access Tops for Big Tables

18", 24" and 27" Deep Rectangular

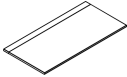
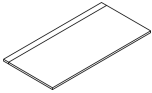
description	w	d	h	pattern no.	Color Core Laminate (C)	V1 (V)	V2 (V)	V3 (V)
Overlay Big Table Tops, 18" Deep Rectangular with Hinged Access 	48"	18"	1 1/4"	YPH4818	\$1,772.	\$1,356.	\$1,503.	\$1,727.
	54"	18"	1 1/4"	YPH5418	1,835.	1,381.	1,530.	1,763.
	60"	18"	1 1/4"	YPH6018	1,899.	1,456.	1,618.	1,867.
	66"	18"	1 1/4"	YPH6618	1,995.	1,489.	1,657.	1,913.
	72"	18"	1 1/4"	YPH7218	2,090.	1,516.	1,686.	1,946.
	78"	18"	1 1/4"	YPH7818	2,184.	1,541.	1,714.	1,979.
	84"	18"	1 1/4"	YPH8418	2,279.	1,574.	1,751.	2,026.
Overlay Big Table Tops, 24" Deep Rectangular with Hinged Access 	48"	24"	1 1/4"	YPH4824	1,836.	1,482.	1,567.	1,820.
	54"	24"	1 1/4"	YPH5424	1,920.	1,512.	1,606.	1,883.
	60"	24"	1 1/4"	YPH6024	2,058.	1,623.	1,726.	2,030.
	66"	24"	1 1/4"	YPH6624	2,134.	1,656.	1,768.	2,097.
	72"	24"	1 1/4"	YPH7224	2,247.	1,718.	1,838.	2,194.
	78"	24"	1 1/4"	YPH7824	2,338.	1,749.	1,877.	2,259.
	84"	24"	1 1/4"	YPH8424	2,410.	1,770.	1,907.	2,316.
Overlay Big Table Tops, 27" Deep Rectangular with Hinged Access 	48"	27"	1 1/4"	YPH4827	1,898.	1,522.	1,614.	1,891.
	54"	27"	1 1/4"	YPH5427	1,994.	1,543.	1,644.	1,950.
	60"	27"	1 1/4"	YPH6027	2,155.	1,665.	1,777.	2,111.
	66"	27"	1 1/4"	YPH6627	2,242.	1,689.	1,813.	2,174.
	72"	27"	1 1/4"	YPH7227	2,355.	1,753.	1,884.	2,276.
	78"	27"	1 1/4"	YPH7827	2,451.	1,785.	1,927.	2,347.
	84"	27"	1 1/4"	YPH8427	2,534.	1,809.	1,959.	2,408.

Tops

Ordering Information	Order Code	Included With	Options
Overlay Big Table Tops 1. Pattern Number 2. Top Finish 3. Edge Finish (for laminate tops only) 4. Paint Finish	Overlay Big Table Tops <i>Example:</i> YPH7824C, 311, V440, 118T <hr/> YTH Table <hr/> 78 Width <hr/> 24 Depth <hr/> C Color Core Laminate <hr/> 311 Solid Gallery White Top <hr/> V440 Natural Hemlock Edge <hr/> 118T Bright White Paint	Overlay Big Table Tops	Overlay Big Table Tops Top Finish Options: Add a (C) for color core laminate or (V) for veneer suffix to pattern number.

Overlay Hinged Access Tops for Big Tables

30" and 36" Deep Rectangular

description	w	d	h	pattern no.	Color Core Laminate (C)	V1 (V)	V2 (V)	V3 (V)
Overlay Big Table Tops, 30" Deep Rectangular with Hinged Access 	48"	30"	1 1/4"	YPH4830	\$2,007.	\$1,563.	\$1,663.	\$1,966.
	54"	30"	1 1/4"	YPH5430	2,102.	1,597.	1,708.	2,043.
	60"	30"	1 1/4"	YPH6030	2,231.	1,669.	1,789.	2,157.
	66"	30"	1 1/4"	YPH6630	2,323.	1,702.	1,831.	2,238.
	72"	30"	1 1/4"	YPH7230	2,436.	1,770.	1,913.	2,338.
	78"	30"	1 1/4"	YPH7830	2,546.	1,797.	1,949.	2,395.
	84"	30"	1 1/4"	YPH8430	2,626.	1,827.	1,994.	2,482.
Overlay Big Table Tops, 36" Deep Rectangular with Hinged Access 	48"	36"	1 1/4"	YPH4836	2,129.	1,737.	1,880.	2,109.
	54"	36"	1 1/4"	YPH5436	2,237.	1,777.	1,932.	2,194.
	60"	36"	1 1/4"	YPH6036	2,372.	1,846.	2,016.	2,305.
	66"	36"	1 1/4"	YPH6636	2,476.	1,886.	2,070.	2,387.
	72"	36"	1 1/4"	YPH7236	2,579.	1,916.	2,112.	2,465.
	78"	36"	1 1/4"	YPH7836	2,678.	1,946.	2,158.	2,538.
	84"	36"	1 1/4"	YPH8436	2,777.	1,977.	2,203.	2,614.

Ordering Information

Overlay Big Table Tops

1. Pattern Number
2. Top Finish
3. Edge Finish (for laminate tops only)
4. Paint Finish

Order Code

Overlay Big Table Tops

Example: **YPH7830C, 311, V440, 118T**

YTH	Table
78	Width
30	Depth
C	Color Core Laminate
311	Solid Gallery White Top
V440	Natural Hemlock Edge
118T	Bright White Paint

Included With

Overlay Big Table Tops





Options

Overlay Big Table Tops

Top Finish Options:
Add a (C) for color core laminate or (V) for veneer suffix to pattern number.

Overlay Extension Tops for Desks and Big Tables

15" Wide and 18" Wide Rectangular

description	type	w	d	h	pattern no.	Color Core Laminate (C)	V1 (V)	V2 (V)	V3 (V)
Overlay Desk Extension Tops, 15" Wide Rectangular 	For use with 24" deep desk tops	15"	24"	1 1/4"	YPE1524	\$1,084.	\$888.	\$938.	\$1,006.
	For use with 27" deep desk tops	15"	27"	1 1/4"	YPE1527	1,111.	898.	951.	1,029.
	For use with 30" deep desk tops	15"	30"	1 1/4"	YPE1530	1,140.	911.	964.	1,049.
	For use with 36" deep desk tops	15"	36"	1 1/4"	YPE1536	1,201.	926.	988.	1,090.
Overlay Back to Back Desk Extension Tops, 15" Wide Rectangular 	For use with 18" deep back to back tops	15"	39 3/4"	1 1/4"	YPE1539	1,246.	951.	1,012.	1,177.
	For use with 24" deep back to back tops	15"	51 3/4"	1 1/4"	YPE1552	1,381.	987.	1,066.	1,215.
	For use with 27" deep back to back tops	15"	57 3/4"	1 1/4"	YPE1558	1,436.	1,007.	1,092.	1,260.
	For use with 30" deep back to back tops	15"	63 3/4"	1 1/4"	YPE1564	1,486.	1,022.	1,114.	1,298.
	For use with 36" deep back to back tops	15"	75 3/4"	1 1/4"	YPE1576	1,520.	1,049.	1,132.	1,331.
Overlay Dual Sided Big Table Extension Tops, 15" Wide Rectangular 	For use with 18" deep dual big table tops	15"	41 1/2"	1 1/4"	YPE1541	1,246.	951.	1,012.	1,177.
	For use with 24" deep dual big table tops	15"	53 1/2"	1 1/4"	YPE1553	1,381.	987.	1,066.	1,215.
	For use with 27" deep dual big table tops	15"	59 1/2"	1 1/4"	YPE1559	1,436.	1,007.	1,092.	1,260.
	For use with 30" deep dual big table tops	15"	65 1/2"	1 1/4"	YPE1565	1,486.	1,022.	1,114.	1,298.
	For use with 36" deep dual big table tops	15"	77 1/2"	1 1/4"	YPE1577	1,520.	1,049.	1,132.	1,331.
Overlay Dual Sided Big Table Extension Tops, 18" Wide Rectangular 	For use with 18" deep dual big table tops	18"	41 1/2"	1 1/4"	YPE1841	1,494.	1,145.	1,217.	1,416.
	For use with 24" deep dual big table tops	18"	53 1/2"	1 1/4"	YPE1853	1,659.	1,180.	1,278.	1,458.
	For use with 27" deep dual big table tops	18"	59 1/2"	1 1/4"	YPE1859	1,725.	1,206.	1,309.	1,512.
	For use with 30" deep dual big table tops	18"	65 1/2"	1 1/4"	YPE1865	1,784.	1,228.	1,327.	1,555.
	For use with 36" deep dual big table tops	18"	77 1/2"	1 1/4"	YPE1877	1,821.	1,260.	1,356.	1,597.

Tops

Ordering Information	Order Code	Included With	Options
Overlay Extension Tops 1. Pattern Number 2. Top Finish 3. Edge Finish (for laminate tops only)	Overlay Extension Tops <i>Example:</i> YPE1559C, 311, V440 YP Table E Extension 78 Width 30 Depth C Color Core Laminate 311 Solid Gallery White Top V440 Natural Hemlock Edge	Overlay Extension Tops	Overlay Extension Tops Top Finish Options: Add a (C) for color core laminate or (V) for veneer suffix to pattern number.

Antenna desks, returns, bridges and tables have a simple structure: tops are supported by a combination of rails and legs. All can be specified as complete kits or by combining a few basic components.

Desks and Tables

Desks are assembled from a top, starter rails and two corresponding depth desk end legs. Starter rails are inset 1 1/2" from each end of the top and end legs are inset 1 1/2" from front and back edges of top. Desk end legs are an inverted U-shape that connects to the underside of the rails at any point within stability guidelines.

Desks can be assembled with tops up to 48" deep, starter rails and desk end legs. Desk end legs are different from table desk end legs, which are used for stand-alone tables.

Unlike desk end legs that attach to the underside of rails, table desk end legs capture the end of the rails. Starter rails without end caps should be specified for stand-alone table desks because the table desk legs cover the ends of the rails, so end caps are not needed. Table desk end legs can only be installed at the end of the worksurface and are taller than the desk end legs, so knees can fit under the end of the table.

Returns are assembled with tops 18"-48" deep, return rails, and an end leg. Return rails are 6" wider than the return top that is connecting to the perpendicular desk rails.

Bridges are assembled from tops and bridge rails. Bridge rails are 9" wider than the bridge top that is connecting to perpendicular desks at both ends. Desks with extension tops or desk extension cabinets require

starter rails that are 12" wider than the adjacent top. Returns with extension tops or cabinets require return rails 12" wider than return top width. The desk end leg is positioned where the top and cabinet meet.

Tops planned end-to-end can share a desk end leg where the tops meet, but require one set of starter rails and one set of extended rails, which are 3" wider than the top.

Back-to-back desk tops can be supported by two sets of starter rails and back-to-back end legs. Designed to create a 3 3/4" space between the back-to-back tops for a desk mounted screen and wire drops on each side, back-to-back end legs are inset 1 1/2" from the front edges of the tops.

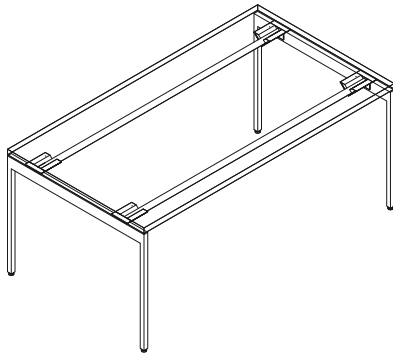


Table Desk End Leg Detail



Table Desk Side Elevation

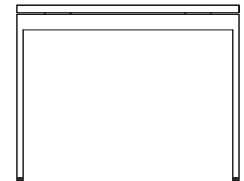
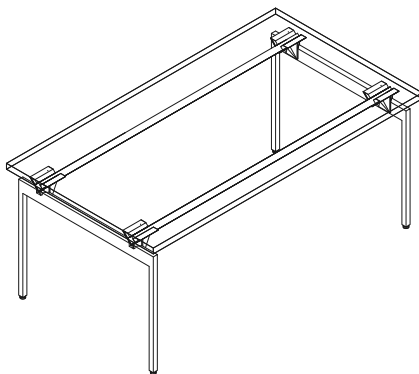


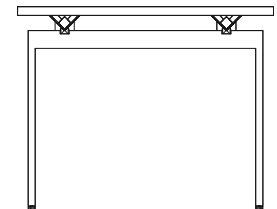
Table Desk End Elevation



Desk End Leg Detail



Desk Side Elevation



Desk End Elevation

Dual sided big tables are comprised of back to back tops with two sets of starter rails equal to the width of the tops and a center beam between, which span across two end legs for dual sided big tables. The center beam and starter rails correspond in width to the tops on either side.

End to end big table tops are supported by two pairs of extended rails, an additional center beam and an additional intermediate leg for each additional pair of tops.

Big tables with extension tops or desk extension cabinets require starter rails or extended rails 12" wider than the adjacent tops. The end leg is positioned where the top and cabinet meet. Center beam matches the top width.

End legs and intermediate legs for dual sided big tables with 24", 27" or 30" deep tops are always 50 1/2" deep. Legs are inset 1 1/2" from front edge of 24"D tops, 4 1/2" from front edge of 27"D

tops and 7 1/2" from front of 30"D tops. Dual sided big table end and intermediate legs for 18" deep tops are 38 1/2" deep and inset 1 1/2" from the front edges of 18" deep tops. End legs and intermediate legs for dual sided big tables with 36" deep tops are 62 1/2" deep and inset 7 1/2" from front edges of 36" deep tops. For 36" deep dual sided big tables with tops wider than 54", an additional midspan support for the center beam must be specified separately. End legs can be positioned up to 6" in from ends of a big table and intermediate legs must be mounted directly under the joint of two tops.

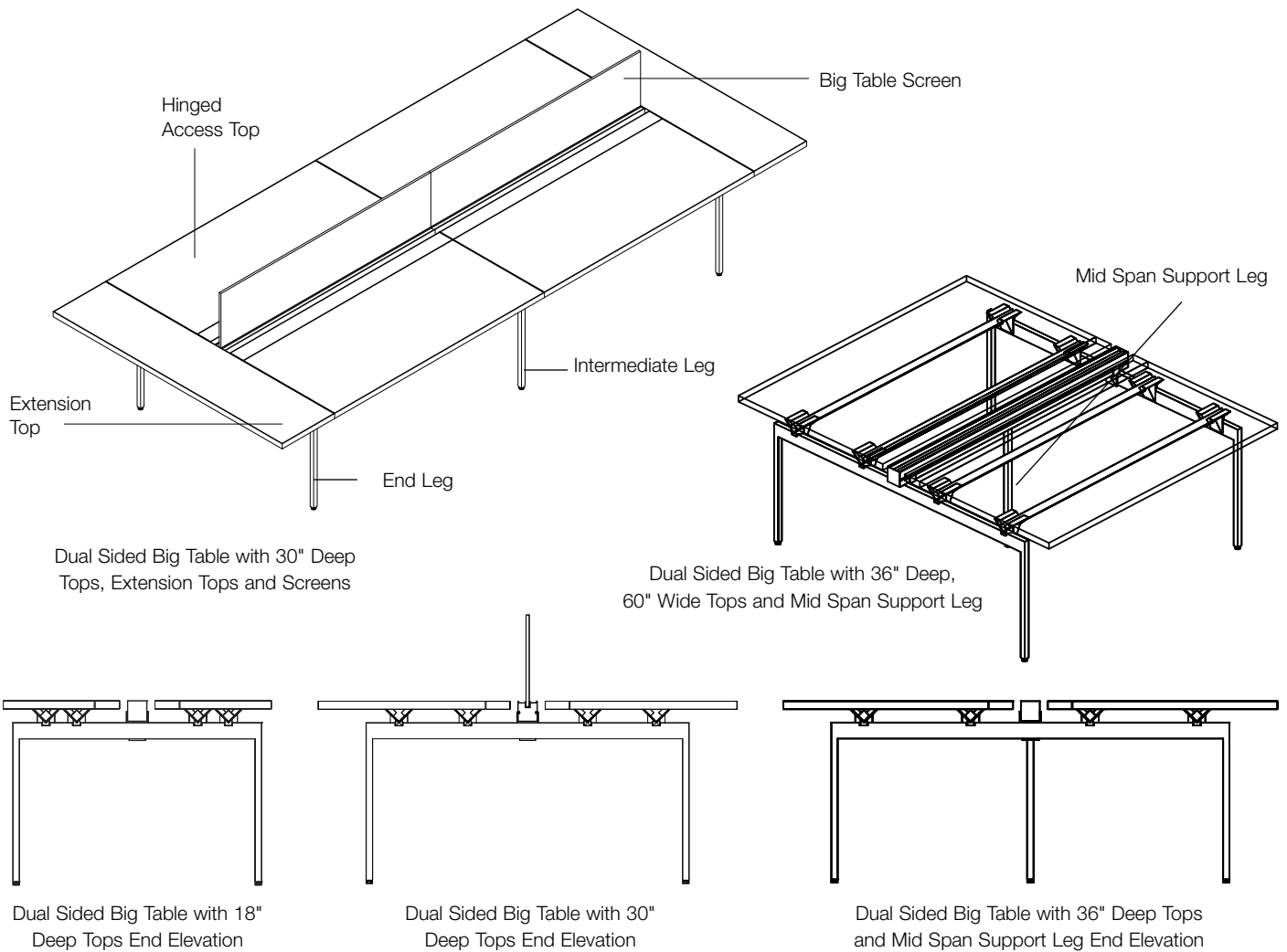
Inset intermediate legs offer more knee space than standard intermediate legs. Inset legs are only 35 1/2" deep, so are recessed 9" from front edge of 24"D tops, 12" from front edge of 27"D tops, and 15" from front of 30"D tops. Inset intermediate legs for 36" deep dual sided big tables are

47 1/2" deep and recessed 15" from front edge of top. There are no inset intermediate legs available for 18" deep big tables.

Deep inset intermediate legs offer the most knee space. Deep inset intermediate legs are 23 1/2" deep, and are recessed 15" from front edge of 24"D tops, 18" from front edge of 27"D tops, and 21" from front edge of 30"D tops.

Returns can be attached anywhere along big tables. Standard desk return rails can be specified with 18" or 24" deep big table tops. Since rails on big table tops deeper than 24" are recessed further from the front edge, return rails are 6" wider than return tops for big tables 27" deep and 9" wider than return tops for big tables 30" or 36" deep.

Antenna tops can serve as economical shared returns up to 48" deep with a single end leg or table desk end leg and one set of return rails.



Antenna Workspaces offers two versions of single sided big tables: basic and full back. Basic big tables can support power distribution, beam-mounted screens, Sapper monitor arms, platforms and cantilever shelves. Basic big tables do not support stanchion mounted open or enclosed cabinets, and are limited to 6" deep cable baskets below the center beam. Full back big tables, with an added 7 1/2" deep top on the back side of the center beam, add the options of full back panels, extension tops or stanchion mounted storage cabinets, and enable 12" deep as well as 6" cable baskets in the same configuration as dual tables.

Basic Single Sided Big Tables

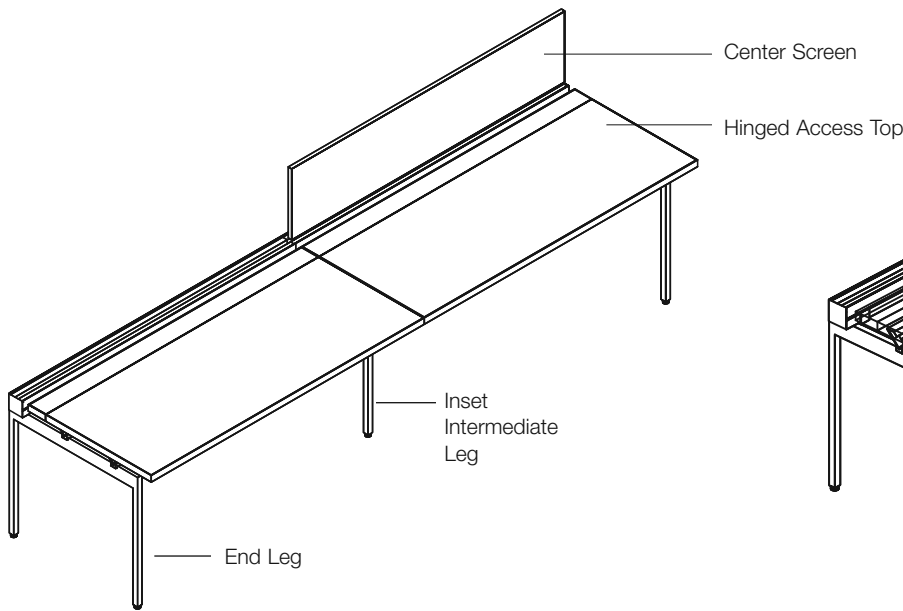
Single sided basic big tables include a top with starter rails and a center beam, which span across two end legs. The center beam and starter rails correspond in width to the desk top width. Adjacent big table tops are supported by a pair of extended rails on an additional intermediate leg, with corresponding width center beam.

Overall depth for basic single sided tables is about 5 1/2" greater than the big table tops. End legs and intermediate legs for basic single sided big tables with 18" deep tops are set back 1 1/2" from the front edge. End legs and intermediate legs for tables with tops that are 24", 27" or 30" deep are set back 1 1/2" from

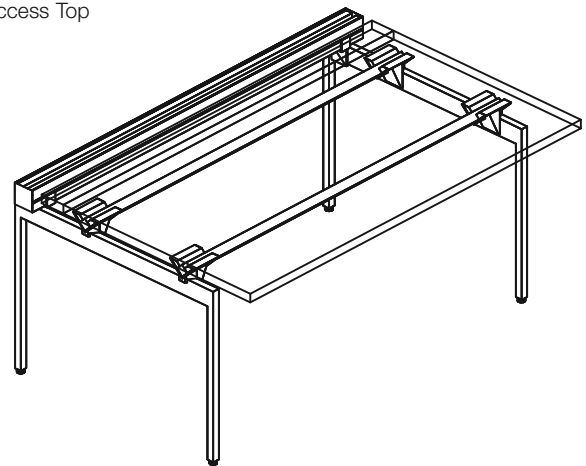
the front edge of 24" deep tops, 4 1/2" from the front of 27" deep tops, and 7 1/2" from the front of 30" deep tops. End legs and intermediate legs for basic big tables with 36" deep tops are set back 7 1/2" from the front edge.

For big tables with tops deeper than 18", inset intermediate legs offer more kneespace than standard intermediate legs: inset intermediate legs are recessed 9" from front edge of 24" deep tops, 12" from front of 27" deep tops and 15" from front of 30" or 36" deep tops.

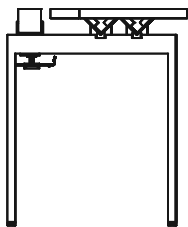
End legs can be positioned from 1 1/2" to 6" in from the end of a big table top. Intermediate legs or inset intermediate legs must be mounted directly under the joint of two tops.



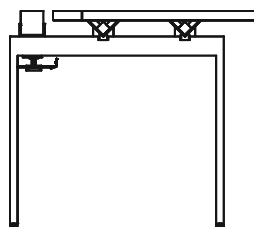
Basic Single Sided Big Table with 27" Deep Tops and Center Screen



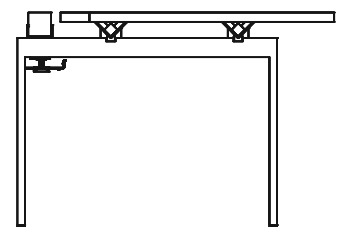
Basic Single Sided Big Table with 36" Deep Top



Basic Single Sided Big Table with 18" Deep Top



Basic Single Sided Big Table with 27" Deep Top



Basic Single Sided Big Table with 36" Deep Top End Elevation

Full Back Single Sided Big Tables

Single sided full back big tables include a top with pair of starter rails, a 7 1/2" deep back top with a single starter rail, and a center beam, which span across two end legs. The back top, center beam and starter rails correspond in width to the desk top width. Adjacent big table tops and back tops are supported by a pair of extended rails and a single extended rail, on an additional intermediate leg, with corresponding width center beam.

Big tables with extension tops require starter rails or extended rails for tops 12" wider than the actual adjacent big table tops. The center beam should remain the same width as the big table tops, and the end leg is positioned where the tops meet the extension.

Overall depth of full back single sided big tables is about 13" more than the big table tops. End legs and intermediate legs for full back, single sided big tables with 18" deep tops are set back 1 1/2" from the front edge. End legs and intermediate legs for tables with tops that are 24", 27" or 30" deep are, set back 1 1/2" from the front edge of 24" deep tops, 4 1/2" from the front of 27" deep tops, and 7 1/2" from the front of 30" deep tops. End legs and intermediate legs for basic big tables with 36" deep tops are set back 7 1/2" from the front edge.

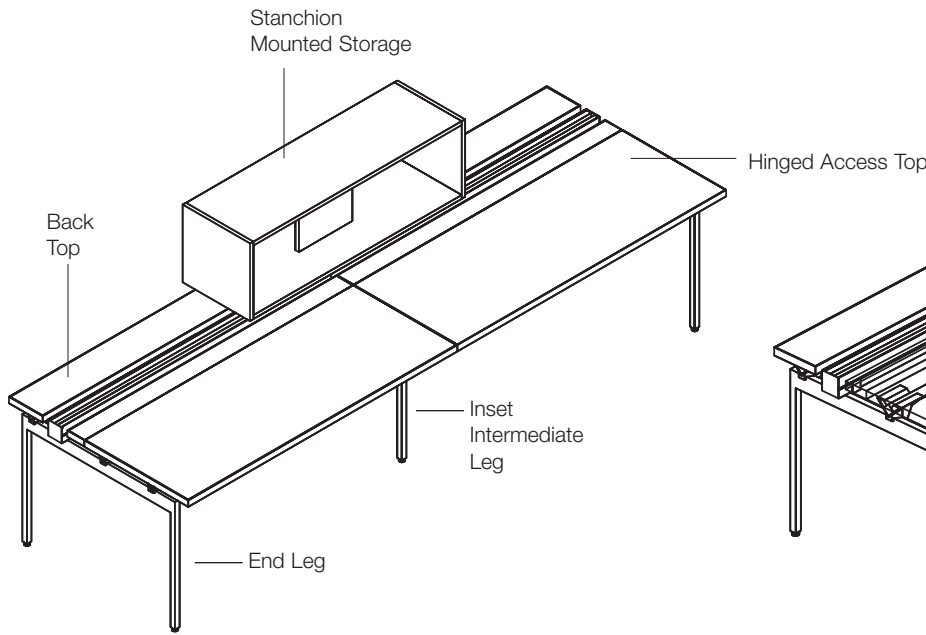
For big tables with tops deeper than 18", inset intermediate legs offer more kneespace than standard intermediate legs: inset intermediate legs are recessed 9" from front edge of 24" deep tops, 12" from front of 27" deep tops and 15" from front of 30" or 36" deep tops.

End legs can be positioned from 1 1/2" to 6" in from the end of a big table top, or centered under the joint of a top and extension top. Intermediate legs or inset intermediate legs must be mounted directly under the joint of two tops.

Returns For Single Sided Big Tables

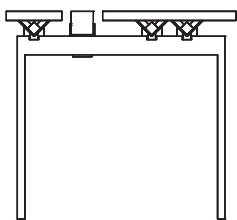
Returns can be attached anywhere along basic or full back single sided big tables. Standard desk return rails can be specified with 18" or 24" deep big table tops. Since rails on deeper big tables are recessed further from the front edge, specify return rails 6" wider than the actual return top width for 27"D big tables, and 9" wider than the actual return width for 30" or 36" deep big tables.

Desk and Table Support

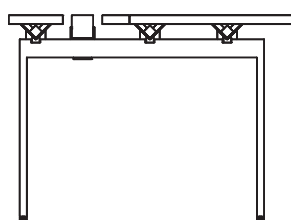


Single Sided Full Back Big Table with 27" Deep Tops and Stanchion Mounted Open Cabinet

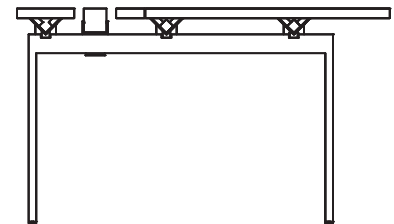
Full Back Single Sided Big Table with 36" Deep Tops



Single Sided Full Back Big Table with 18" Deep Tops End Elevation



Single Sided Full Back Big Table with 27" Deep Tops End Elevation



Single Sided Full Back Big Table with 36" Deep Tops

When specified and installed correctly, Antenna desks are extraordinarily strong and stable and meet or exceed BIFMA stability guidelines.

Rails can support Antenna tops and Overlay tops for up to 84" between supports, so desk tops wider than 84", returns wider than 78" or bridges wider than 72" require intermediate support from a desk end leg, floorstanding pedestal or Template

storage unit. Desk and big table tops are able to span 48"-84" between end legs.

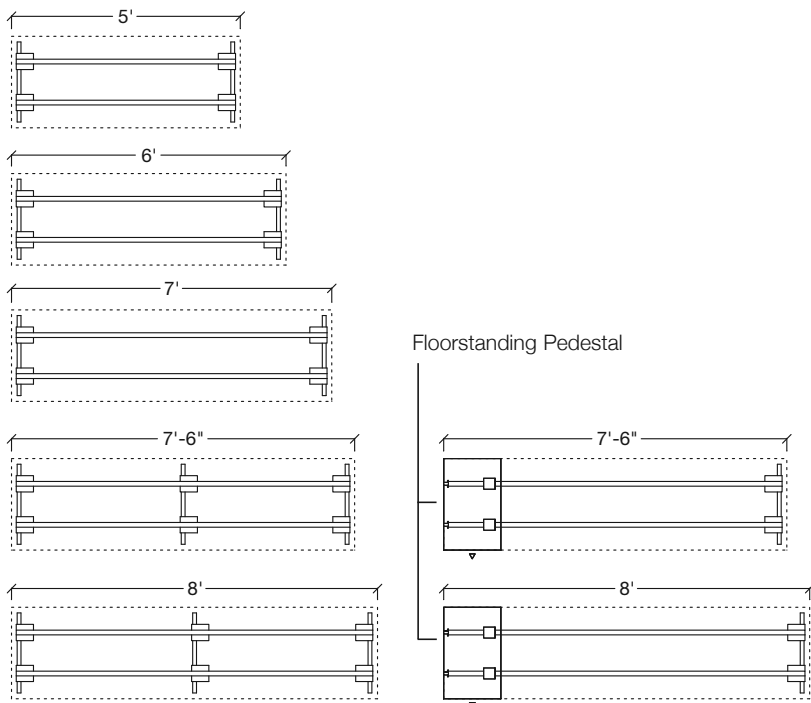
Desk end legs can be inset up to 6" from each end of freestanding desks of any width or up to 15" from ends of tops wider than 78". Rails for tops extending more than 7 1/2" should be fitted with YBCDE connectors to attach the end of the rail to the top.

Standing height end legs can create standing height tables from 48" to 72"

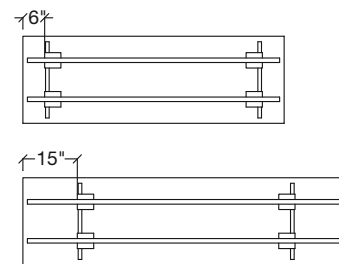
wide. Standing height end legs may not be used with single tops wider than 72".

For stability of desks with suspended storage and legs positioned inside of the cabinet, desk top must be anchored to the cabinet and desk top must be anchored to the other end with a floorstanding pedestal, a Template storage unit, Fence, a return or a bridge top.

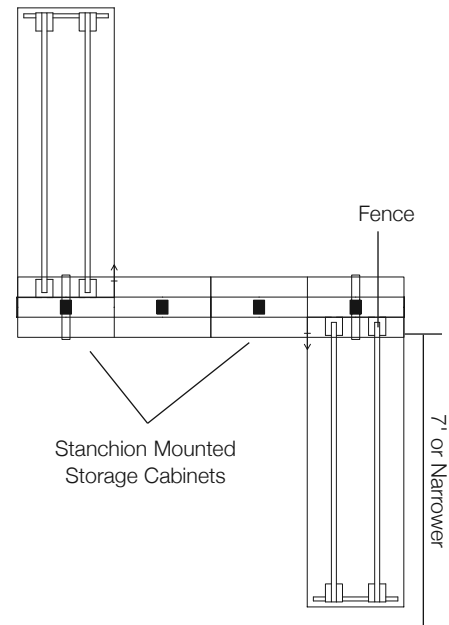
Fence with stanchion mounted storage must be anchored to a desk to provide sufficient stability.



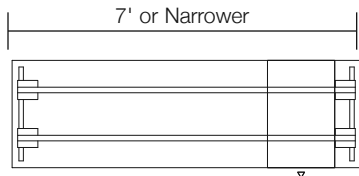
Desk Support Stability Guidelines



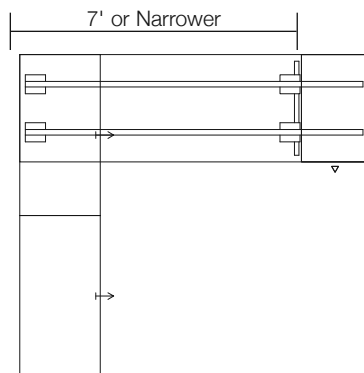
Standard End Leg Positions



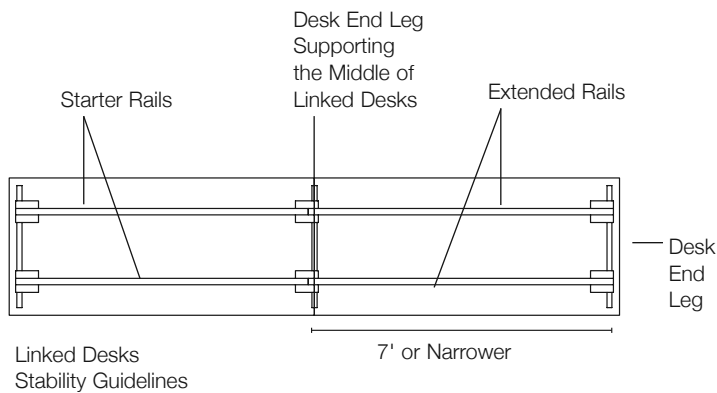
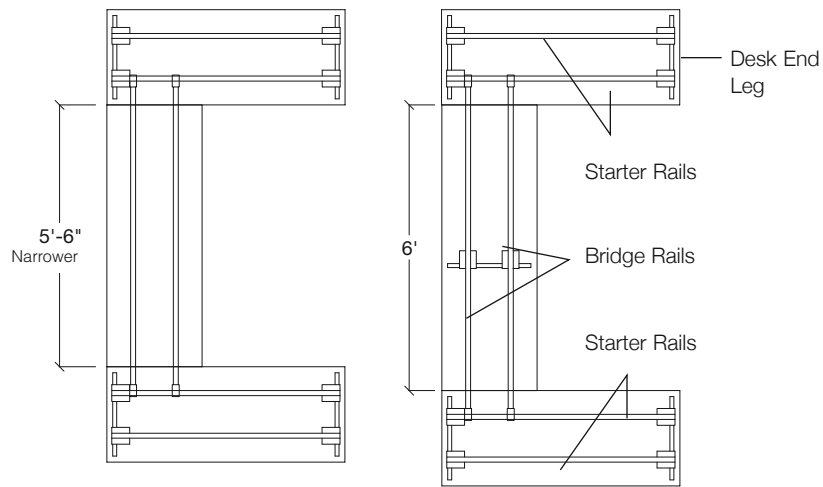
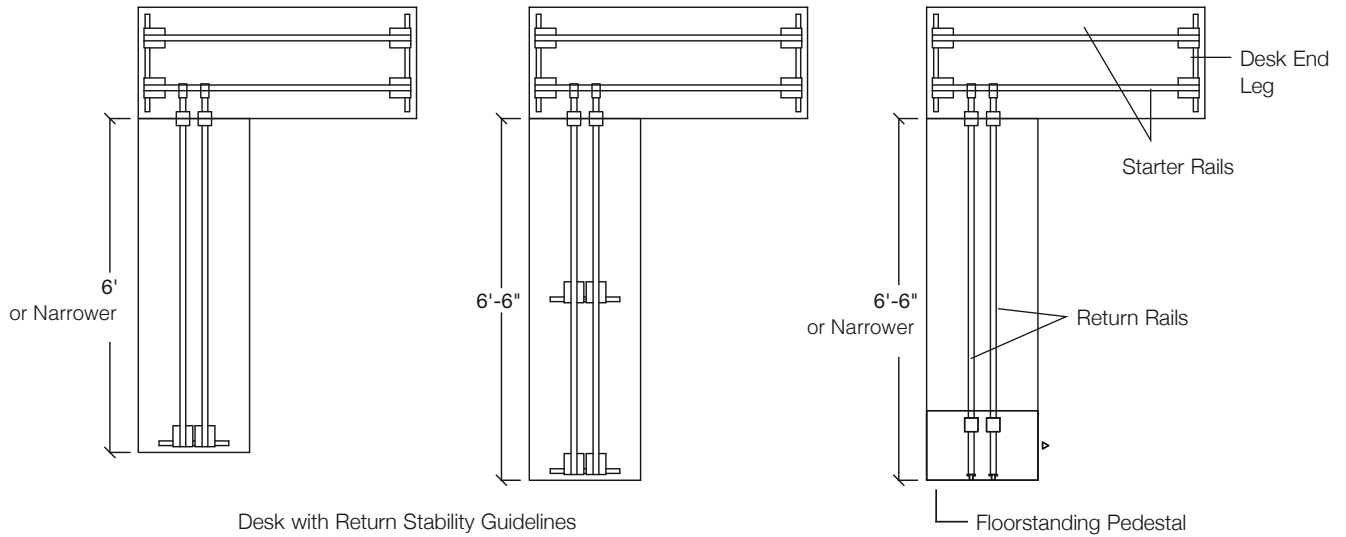
Fence Storage Stability Guidelines

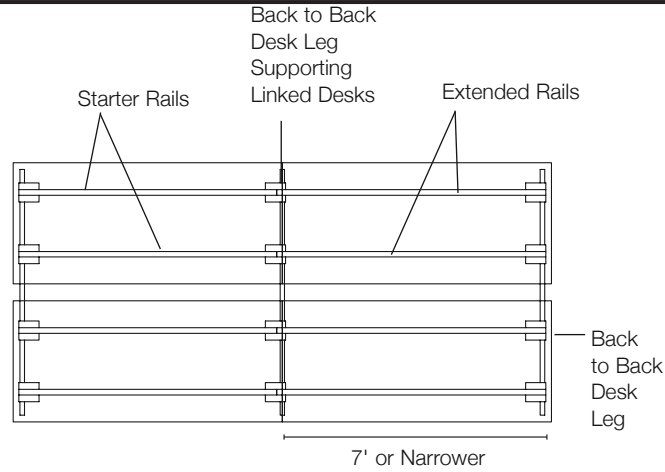


Desk with Suspended Storage Inside of Leg

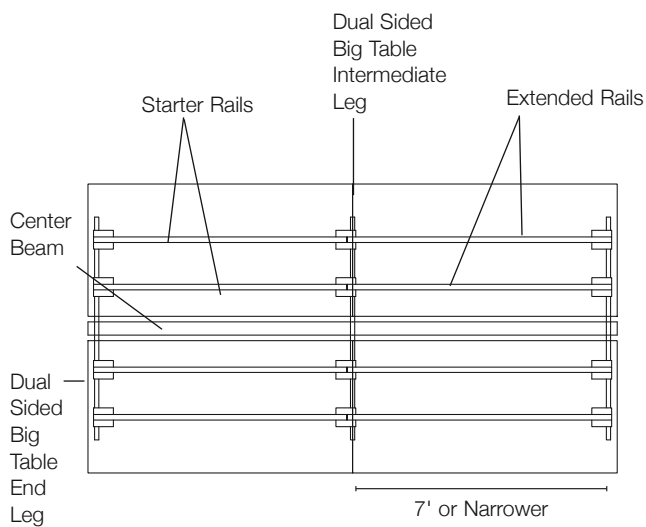


Desk with Suspended Storage Outside of Leg

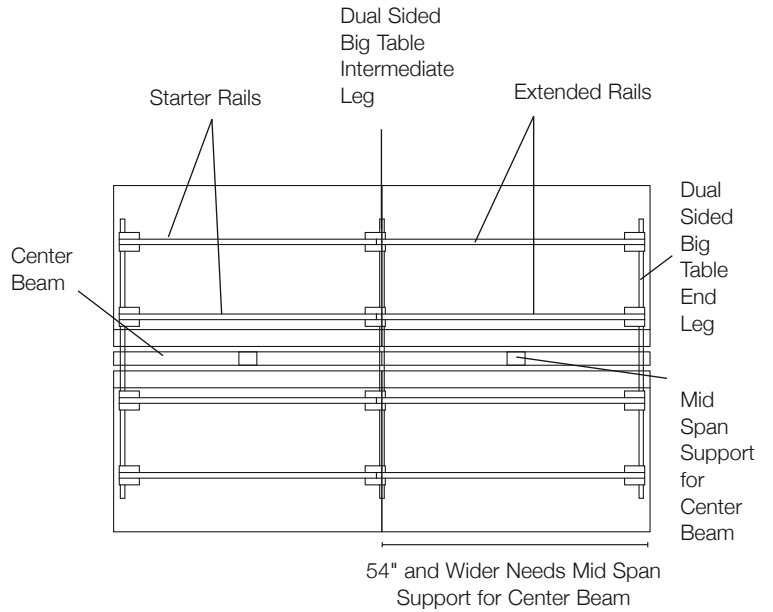




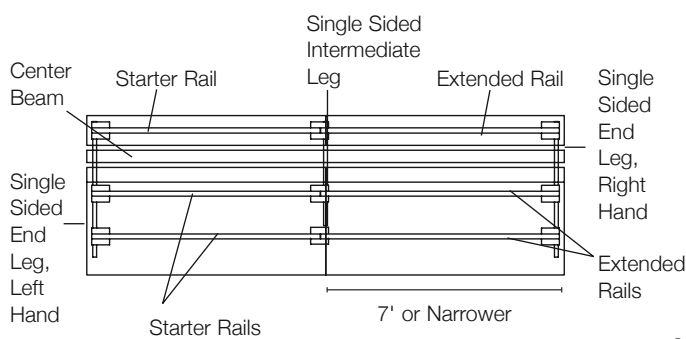
Back to Back Desks Stability Guidelines



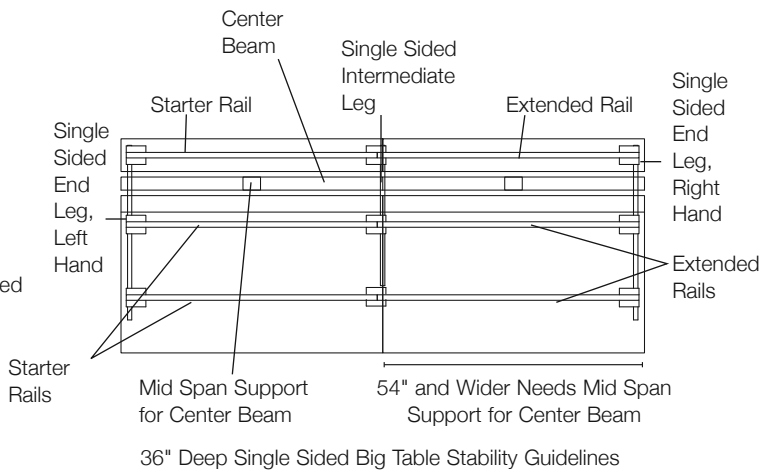
18", 24", 27" or 30" Deep Dual Sided Big Table Stability Guidelines



36" Deep Dual Sided Big Table Stability Guidelines



18", 24", 27" or 30" Deep Single Sided Big Table Stability Guidelines



36" Deep Single Sided Big Table Stability Guidelines

Starter and Extended Rails

Planning Guidelines and Specifications

Rails are a pair of painted steel tubes used to support an Antenna top and connect to the end legs. Rails correspond in width to the top or combination of top and extension top or cabinet. Rails are available in complete sets for specific applications: starter, extended, return and bridge.

Starter rails support an independent desk top, the first top in a linked cluster of desks or the first top in single-sided or dual big table applications. Starter rails include two rails 3" less than the width of a top, four end caps and spacers to support the center of the top above the rails. Starter rails are also available without end caps for use in table desk applications. Table desk end legs cover the ends of the rails,

so end caps are not needed. Starter rails are available in 6" increments from 33" to 93" wide.

Extended rails support a desk top planned end-to-end with another desk top, in both single-sided and dual big table configurations. Intermediate leg should be centered and cradles positioned to join the adjacent rails where the two desk tops meet. Extended rails include two rails the same width as a top, spacers and top to top brackets. Extended rails are available in 6" increments from 36" to 96" wide.

A single sided big table primary top uses the same starter and extended rails as dual sided big table tops. A single starter or extended rail must be specified to support the 7 1/2" deep back-top that is on the opposite side of

the center beam from the primary top. Single rails should be specified the same width as the rail pairs specified for the primary top.

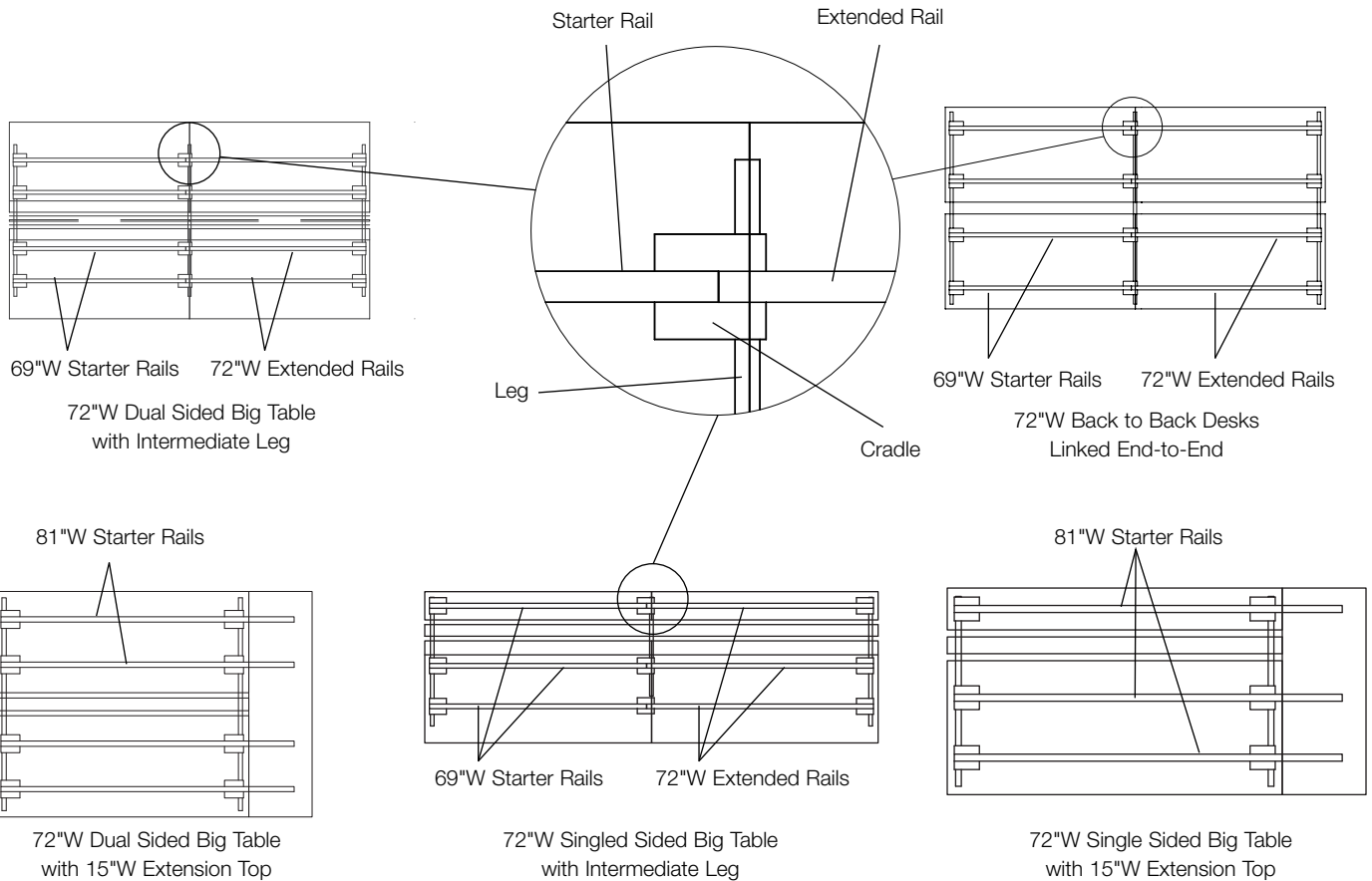
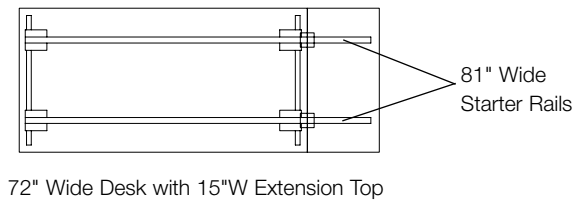
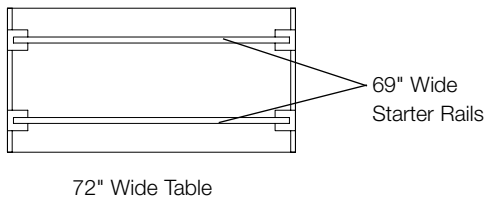
Connector kits for extension tops are required when cantilevering an extension surface to rails beyond a desk end leg. Desk or big tables rails should be specified 12" wider than adjacent surface for 15"W extension tops or 15" wider than adjacent surface for 18"W extension tops.

Construction

Rails are 1 1/4" square steel tube. End caps are die cast aluminium. Return adapters are die cast aluminium.

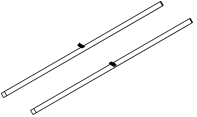
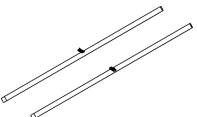
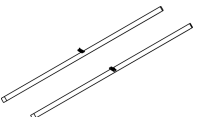
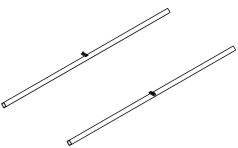
Specifications Options

Specify rails and end caps in any Knoll core, Clear, Dark Red or Slate Blue paint finish.



Starter and Extended Rails

Rail Pairs For Desks, Tables or Big Tables

description	type	w	d	h	pattern no.	list
 Starter Rails with End Caps (pair)	For 36" Wide Desk	33"	1"	1"	YBRS33	\$122.
	For 42" Wide Desk	39"	1"	1"	YBRS39	144.
	For 48" Wide Desk	45"	1"	1"	YBRS45	157.
	For 54" Wide Desk	51"	1"	1"	YBRS51	202.
	For 60" Wide Desk	57"	1"	1"	YBRS57	205.
	For 66" Wide Desk	63"	1"	1"	YBRS63	211.
	For 72" Wide Desk	69"	1"	1"	YBRS69	216.
	For 78" Wide Desk	75"	1"	1"	YBRS75	219.
	For 84" Wide Desk	81"	1"	1"	YBRS81	340.
	For 90" Wide Desk	87"	1"	1"	YBRS87	345.
	For 96" Wide Desk	93"	1"	1"	YBRS93	347.
 Starter Rails without End Caps, For Use with Table Desks (pair)	For 36" Wide Desk	33"	1"	1"	YBRT33	103.
	For 42" Wide Desk	39"	1"	1"	YBRT39	114.
	For 48" Wide Desk	45"	1"	1"	YBRT45	141.
	For 54" Wide Desk	51"	1"	1"	YBRT51	184.
	For 60" Wide Desk	57"	1"	1"	YBRT57	187.
	For 66" Wide Desk	63"	1"	1"	YBRT63	196.
	For 72" Wide Desk	69"	1"	1"	YBRT69	200.
	For 78" Wide Desk	75"	1"	1"	YBRT75	203.
	For 84" Wide Desk	81"	1"	1"	YBRT81	326.
	For 90" Wide Desk	87"	1"	1"	YBRT87	331.
	For 96" Wide Desk	93"	1"	1"	YBRT93	333.
 Starter Rails without End Caps, For Use with Antenna Tops with Two Extension Tops (pair)	For 102" Wide Table	99"	1"	1"	YBRT99	424.
	For 108" Wide Table	105"	1"	1"	YBRT105	435.
	For 114" Wide Table	111"	1"	1"	YBRT111	445.
 Extended Rails (pair)	For 36" Wide Desk	36"	1"	1"	YBRE36	96.
	For 42" Wide Desk	42"	1"	1"	YBRE42	120.
	For 48" Wide Desk	48"	1"	1"	YBRE48	173.
	For 54" Wide Desk	54"	1"	1"	YBRE54	177.
	For 60" Wide Desk	60"	1"	1"	YBRE60	181.
	For 66" Wide Desk	66"	1"	1"	YBRE66	184.
	For 72" Wide Desk	72"	1"	1"	YBRE72	190.
	For 78" Wide Desk	78"	1"	1"	YBRE78	311.

Ordering Information

- Rails**
 1. Pattern Number
 2. Paint Finish

Order Code

Rails
Example: **YBRS63, 118T**
YBR Rails
S Starter
63 Width
118T Bright White Paint

Included With

Starter Rails
 Spacers
 End Caps (not included with Table Desk rails)
Extended Rails
 Spacers
 Flat Brackets

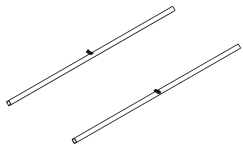
Options

Rails

Starter and Extended Rails

Rail Pairs For Desks, Tables or Big Tables

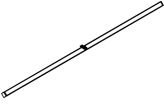
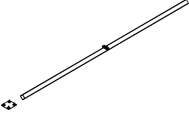
description	type	w	d	h	pattern no.	list
Extended Rails (pair)	For 84" Wide Desk	84"	1"	1"	YBRE84	\$314.
	For 90" Wide Desk	90"	1"	1"	YBRE90	320.
	For 96" Wide Desk	96"	1"	1"	YBRE96	328.



Ordering Information	Order Code	Included With	Options
Rails 1. Pattern Number 2. Paint Finish	Rails <hr/> <i>Example:</i> YBRS63, 118T <hr/> YBR Rails <hr/> S Starter <hr/> 63 Width <hr/> 118T Bright White Paint	Starter Rails Spacers End Caps (not included with Table Desk rails) Extended Rails Spacers Flat Brackets	Rails

Starter and Extended Rails

Rail Singles for Single Sided Big Tables

description	type	w	d	h	pattern no.	list
 <p>Single Starter Rails for Single Sided Big Tables</p>	For 48" Wide Desk	45"	1"	1"	YBRBTS45	\$81.
	For 54" Wide Desk	51"	1"	1"	YBRBTS51	109.
	For 60" Wide Desk	57"	1"	1"	YBRBTS57	111.
	For 66" Wide Desk	63"	1"	1"	YBRBTS63	112.
	For 72" Wide Desk	69"	1"	1"	YBRBTS69	115.
	For 78" Wide Desk	75"	1"	1"	YBRBTS75	119.
	For 84" Wide Desk	81"	1"	1"	YBRBTS81	190.
	For 90" Wide Desk	87"	1"	1"	YBRBTS87	193.
	For 96" Wide Desk	93"	1"	1"	YBRBTS93	196.
 <p>Single Extended Rails for Single Sided Big Tables</p>	For 48" Wide Desk	48"	1"	1"	YBRBTE48	101.
	For 54" Wide Desk	54"	1"	1"	YBRBTE54	102.
	For 60" Wide Desk	60"	1"	1"	YBRBTE60	104.
	For 66" Wide Desk	66"	1"	1"	YBRBTE66	107.
	For 72" Wide Desk	72"	1"	1"	YBRBTE72	110.
	For 78" Wide Desk	78"	1"	1"	YBRBTE78	182.
	For 84" Wide Desk	84"	1"	1"	YBRBTE84	183.
	For 90" Wide Desk	90"	1"	1"	YBRBTE90	185.
	For 96" Wide Desk	96"	1"	1"	YBRBTE96	187.

Ordering Information

- Rails**
 1. Pattern Number
 2. Paint Finish

Order Code

Rails	
<i>Example:</i> YBRBTS57, 118T	
YBR	Rails
BTS	Single Sided Big Table
57	Width
118T	Bright White Paint

Included With

- Starter Rails**
 Spacers
 End Caps
- Extended Rails**
 Spacers
 Flat Brackets

Options

- Rails**

Return and Bridge Rails

Planning Guidelines and Specification

Return rails support a top planned as a return perpendicular to another desk top. Return rail kits also support returns off of a big table with 18", 24", 27", 30" or 36"D tops. For returns connected to 18" or 24" deep big tables, specify return rails 3" wider than the return top. For returns off of 27" deep big tables, specify return rails 6" wider than the return top. For returns off of 30" or 36" deep big tables, specify return rails 9" wider than the return top.

Return rails include two rails 4 1/2" wider than a top, return adapters, one pair of end caps and spacers to support the return top where it meets the desk top.

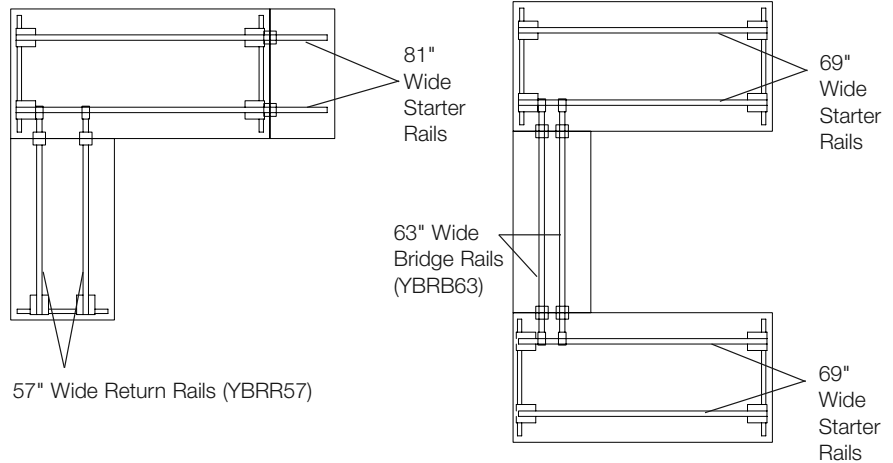
Bridge rails support a desk top planned as a bridge spanning between two desk tops. Bridge rails include two rails 9" wider than a top, two pairs of return adapters and spacers. Bridge rails can also be planned between big tables that have 18" or 24" deep tops. For bridges between big tables 27" deep, specify bridge rails 15" wider than top and for bridges between big tables 30" or 36" deep specify bridge rails 21" wider than top.

Construction

Rails are 1 1/4" square steel tubes. End caps are die cast aluminum. Return adapters are die cast aluminum.

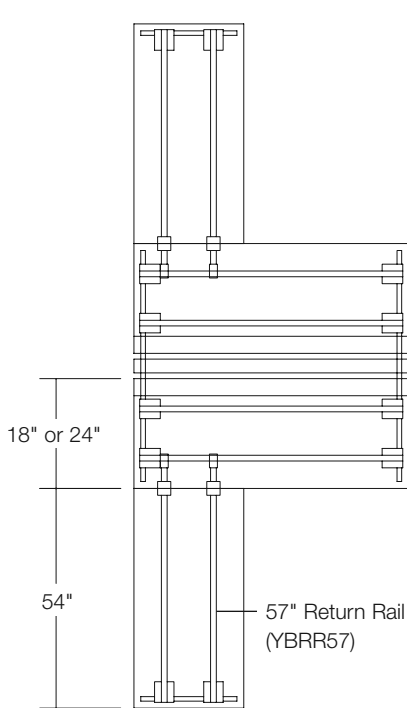
Specification Options

Specify rails and end caps in any Knoll core, Slate Blue or Dark Red paint finish.

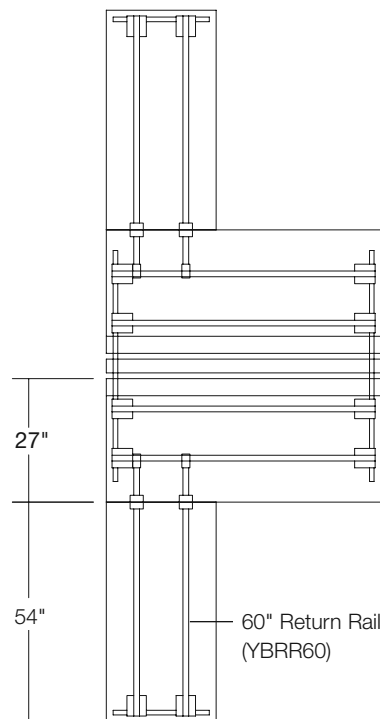


72" W, 24"D Desk with Extension Top and 54" Wide Return

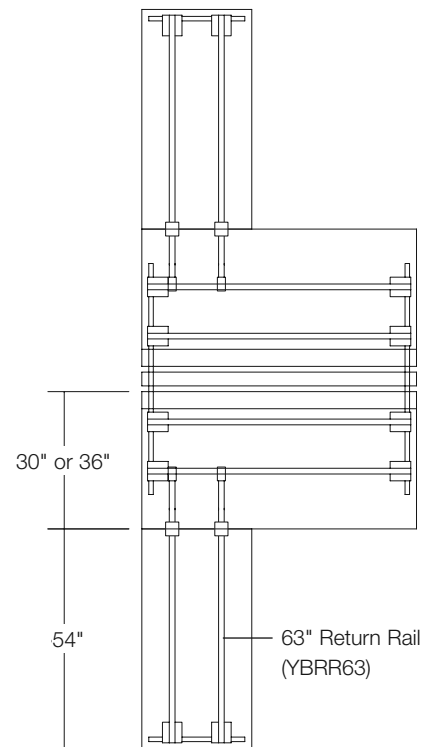
72" W, 24"D Desk with 54" Wide Bridge



18" or 24" Deep Big Table with 54" Wide Return



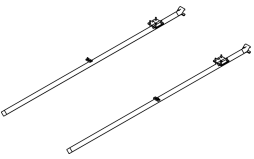
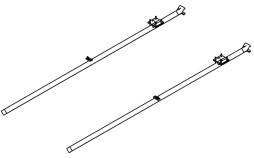
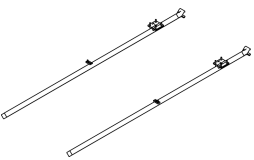
27" Deep Big Table with 54" Wide Return



30" or 36" Deep Big Table with 54" Wide Return

Return and Bridge Rails

Rail Pairs For Desks, Tables or Big Tables

description	type	w	d	h	pattern no.	list
 Return Rails for any Depth Desk or 24" Deep Big Tables (pair)	For 30" Wide Return	33"	1"	1"	YBRR33	\$178.
	For 36" Wide Return	39"	1"	1"	YBRR39	203.
	For 42" Wide Return	45"	1"	1"	YBRR45	206.
	For 48" Wide Return	51"	1"	1"	YBRR51	253.
	For 54" Wide Return	57"	1"	1"	YBRR57	258.
	For 60" Wide Return	63"	1"	1"	YBRR63	263.
	For 66" Wide Return	69"	1"	1"	YBRR69	267.
	For 72" Wide Return	75"	1"	1"	YBRR75	271.
	For 78" Wide Return	81"	1"	1"	YBRR81	392.
	For 84" Wide Return	87"	1"	1"	YBRR87	398.
	For 90" Wide Return	93"	1"	1"	YBRR93	401.
 Return Rails for Big Tables 27" Deep (pair)	For 30" Wide Return	36"	1"	1"	YBRR36	180.
	For 36" Wide Return	42"	1"	1"	YBRR42	204.
	For 42" Wide Return	48"	1"	1"	YBRR48	252.
	For 48" Wide Return	54"	1"	1"	YBRR54	255.
	For 54" Wide Return	60"	1"	1"	YBRR60	261.
	For 60" Wide Return	66"	1"	1"	YBRR66	264.
	For 66" Wide Return	72"	1"	1"	YBRR72	269.
	For 72" Wide Return	78"	1"	1"	YBRR78	389.
	For 78" Wide Return	84"	1"	1"	YBRR84	393.
	For 84" Wide Return	90"	1"	1"	YBRR90	400.
 Return Rails for Big Tables 30" Deep (pair)	For 30" Wide Return	39"	1"	1"	YBRR39	203.
	For 36" Wide Return	45"	1"	1"	YBRR45	206.
	For 42" Wide Return	51"	1"	1"	YBRR51	253.
	For 48" Wide Return	57"	1"	1"	YBRR57	258.
	For 54" Wide Return	63"	1"	1"	YBRR63	263.
	For 60" Wide Return	69"	1"	1"	YBRR69	267.
	For 66" Wide Return	75"	1"	1"	YBRR75	271.
	For 72" Wide Return	81"	1"	1"	YBRR81	392.
	For 78" Wide Return	87"	1"	1"	YBRR87	398.
	For 84" Wide Return	93"	1"	1"	YBRR93	401.

Ordering Information

- Rails**
 1. Pattern Number
 2. Paint Finish

Order Code

Return Rails	
<i>Example:</i> YBRR63, 118T	
YBR	Rails
R	Return
63	Width
118T	Bright White Paint

Included With

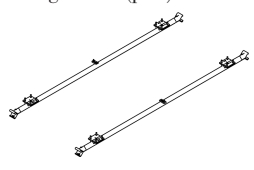
- Return Rails**
 Spacers
 Brackets
 End Caps
 Flat Brackets
- Bridge Rails**
 Brackets
 Spacers
 Flat Brackets

Options

- Rails**

Return and Bridge Rails

Rail Pairs For Desks, Tables or Big Tables

description	type	w	d	h	pattern no.	list
 Bridge Rails (pair)	For 30" Wide Bridge	39"	1"	1"	YBRB39	\$254.
	For 36" Wide Bridge	45"	1"	1"	YBRB45	259.
	For 42" Wide Bridge	51"	1"	1"	YBRB51	305.
	For 48" Wide Bridge	57"	1"	1"	YBRB57	308.
	For 54" Wide Bridge	63"	1"	1"	YBRB63	312.
	For 60" Wide Bridge	69"	1"	1"	YBRB69	318.
	For 66" Wide Bridge	75"	1"	1"	YBRB75	321.
	For 72" Wide Bridge	81"	1"	1"	YBRB81	444.
	For 78" Wide Bridge	87"	1"	1"	YBRB87	448.
	For 84" Wide Bridge	93"	1"	1"	YBRB93	450.

Desk and Table Support

Ordering Information	Order Code	Included With	Options
Rails 1. Pattern Number 2. Paint Finish	Return Rails <hr/> <i>Example:</i> YBRR63, 118T <hr/> YBR Rails <hr/> R Return <hr/> 63 Width <hr/> 118T Bright White Paint	Return Rails Spacers Brackets End Caps Flat Brackets Bridge Rails Brackets Spacers Flat Brackets	Rails

Desk Connectors

Planning Guidelines and Specifications

Desk Connector Kits

Desks or big tables with extension tops or extension cabinets require longer rails and additional connector kits to secure and align the extensions with the adjacent tops. Above desk or big table extension cabinet bottoms and below desk or big table extension cabinet tops are detailed as visual extensions of the adjacent desk or big table, and are supported in the same way as extension tops.

For an individual desk with 15"W extension top or cabinet, specify starter rails for the next 12" longer desk top. If the leg is positioned at the end of the desk, add connector kit YBCDE.

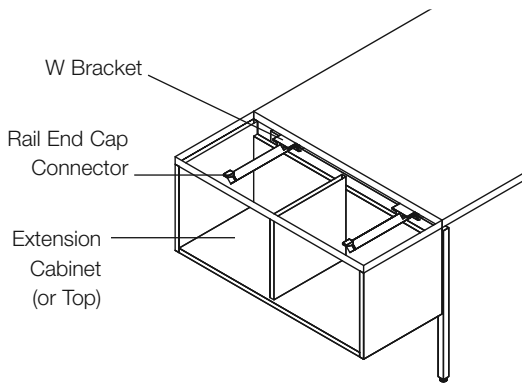
The YBCDE kit includes two W brackets that join the top to the extension over the rails, two rail end caps that connect the ends of the rails to the underside of the extension and two flat brackets that align the front and back of the desktop with the extension.

Alternatively, if the leg is positioned under the extension top or an above desk cabinet specify 12" longer rails and add connector kit YSDXUP. The YSDXUP kit includes only the two W brackets that join the top to the extension over the rails, while the desk leg cradle connects directly to the extension top or cabinet.

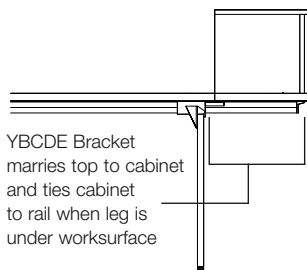
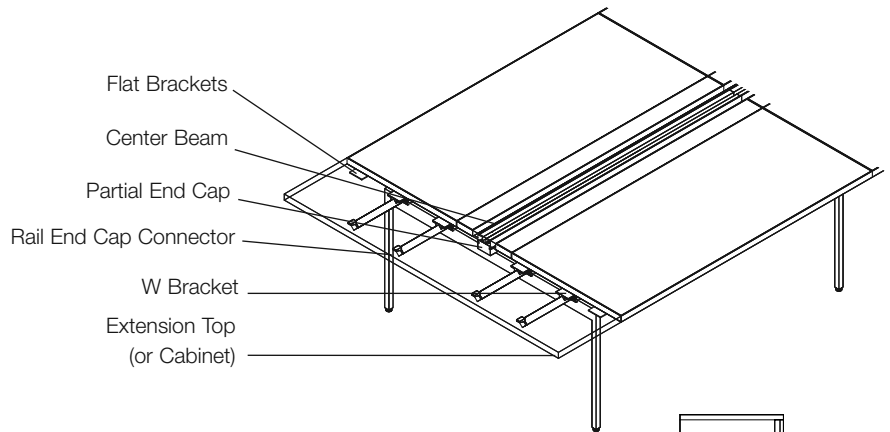
For a big table with 15"W extension top or cabinet, specify starter rails on both sides of the big table for the next 12" longer desk top and add connector kit YBTE. The YBTE kit includes four W brackets that join the top to the extension over the rails, four rail end caps that connect the ends of the rails to the underside of the extension and two flat brackets that align the front edges of the big table tops with the extension.

Big table end legs cannot be positioned under the extension top or an above big table extension cabinet because the leg must support the center beam between the big table tops.

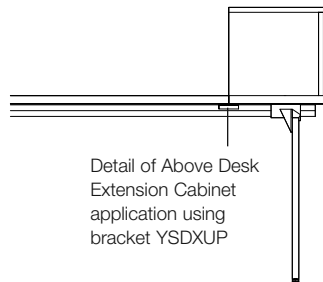
Connector Kit (YBCDE) for Desk Extension Tops or Cabinets



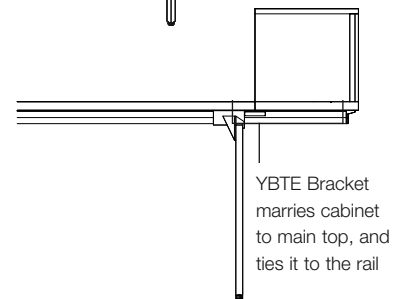
Connector Kit (YBTE) for Big Table Extension Tops or Cabinets



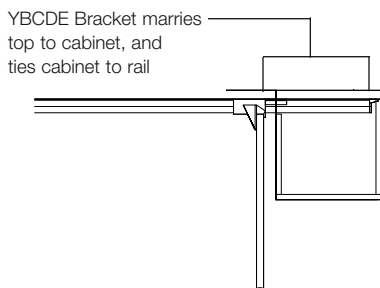
Above Desk Extension Cabinet Elevation, Leg Under Worksurface



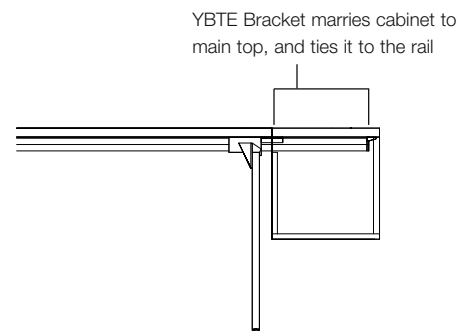
Above Desk Extension Cabinet Elevation, Leg Under Cabinet



Above Desk Extension Cabinet for Big Table Elevation



Below Desk Extension Cabinet Elevation

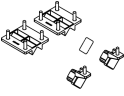
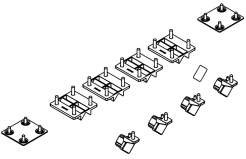
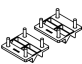
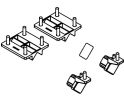
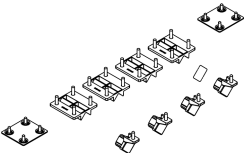


Below Desk Extension Cabinet for Big Table Elevation

*End Leg must stay under the Center Beam and can not be moved out to be placed under the extension top or cabinet

Desk Connectors

Connector Kit for Extension Tops and Cabinets

description	type	pattern no.	list
Connector Kit for Desk Extension Tops 	2 Brackets	YBCDE	\$52.
Connector Kit for Big Table Extension Tops 	4 Brackets	YBTE	119.
Connector Kit for Above Desk Extension Cabinets 	2 Brackets	YSDXUP	33.
Connector Kit for Above or Below Desk Extension Cabinets 	2 Brackets	YBCDE	52.
Connector Kit for Above and Below Big Table Extension Cabinets 	4 Brackets	YBTE	119.

Desk and Table Support

Ordering Information	Order Code	Included With	Options
Desk Connectors 1. Pattern Number 2. Paint Finish	Desk Connectors <i>Example:</i> YBCDE, 118T YBC Connector Kit DE Desk Extension 118T Bright White Paint	Desk Connectors Brackets Hardware	Desk Connectors

Desk Support Adapters

Planning Guidelines and Specifications

Antenna desks can be supported by pedestals, floorstanding wood cabinets, Template storage units and Fence by using desk support adapters. Desk support adapters connect the desk rails to the supporting component.

Pedestal Desk Support

Pedestal support adapter (YBATE25) supports a desk on top of a 25" high pedestal or floorstanding cabinet. Pedestal support adapters mount on the left side of a right-hand position standard width pedestal. Pedestal support adapters mount on the right side of a left-hand position pedestal. Pedestal support adapters also mount on the "inside" edge of a perpendicular 25" high floorstanding wood cabinet.

Double Wide Pedestal Desk Support

For double wide metal pedestals or 25" high floorstanding wood cabinets parallel with a desk or return, specify kit YBAW25, which includes pedestal support adapters, positioning brackets and rail end connectors.

Pedestal Positioning Brackets

Positioning brackets (YSFA) stabilize and maintain position of floorstanding 25" high pedestals under desk or big table rails when the pedestal is not integrated into the desk structure. Positioning brackets enable floorstanding pedestals to mount adjacent to end legs or other floorstanding pedestals that are connected to the desk with YBATE25 brackets. They are also applicable under bridge tops or tops supported by Fence or Template storage. Positioning brackets fasten with

screws into the holes in the top of the pedestal corresponding to desk support rails, or they may be adhered in position under the rails of a big table (adhesive not included in kit).

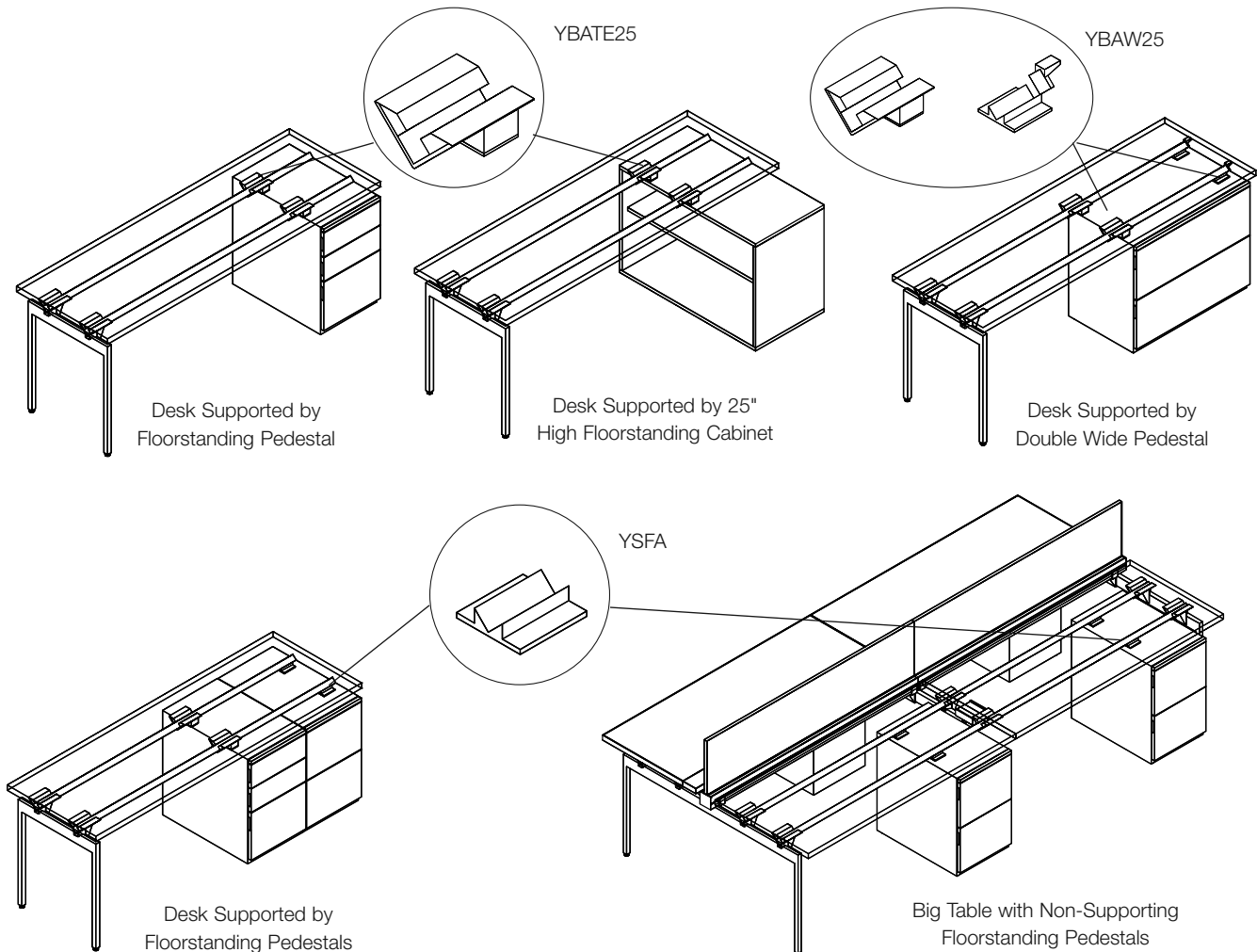
Ballast kits are still recommended for most floorstanding pedestal and double wide pedestal applications, but positioning brackets may make ballast unnecessary for pedestals in multiple-position big tables.

Construction

Desk support adapters consist of painted, die cast aluminum cradles and brackets.

Specification Options

Specify desk support adapters in any Knoll Core paint finish.



Desk Support Adapters

Planning Guidelines and Specifications

Fence Desk Support

Fence desk support adapters are available for both 25" high (YBAFE25) and 28" high (YBAFE28) Fence applications when Antenna tops are mounted perpendicular to the fence wall.

Template Desk Support

Template desk support adapters connect the end of Antenna desk rails to Template tops or worksurface shelves.

When supported by a 22" high Template cabinet or floorstanding wood cabinet, YBATE22 connects the front edge of the top to standard starter rails that are 3" less wide than the top.

When supported by a 25" high Template cabinet or floorstanding wood cabinet, YBATE25 connects the front edge of the top to standard starter rails 3" less wide than the top.

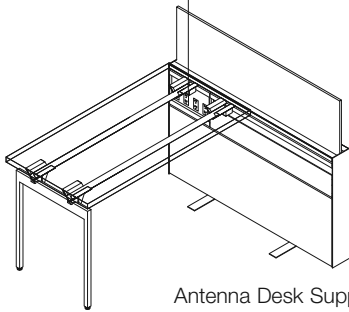
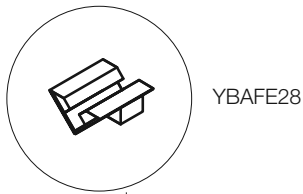
When supported by an adjacent 28" high Template cabinet, floorstanding open wood cabinet or the worksurface shelf of taller Template units, YBATE28 connects the underside of the top or shelf to starter rails 9" longer than the desktop (starter rails for a 12" longer desk).

Construction

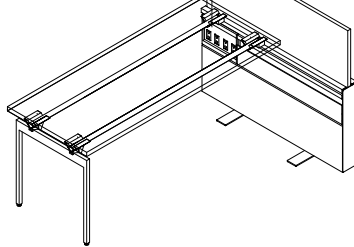
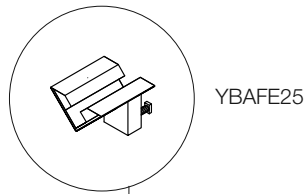
Desk support adapters consist of painted die cast aluminum cradles and brackets.

Specification Options

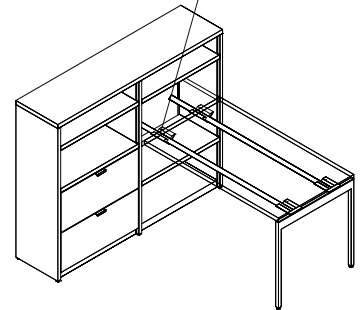
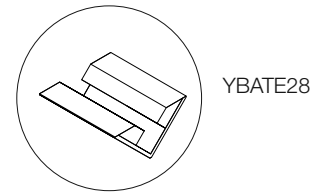
Specify desk support adapters in any Knoll Core paint finish.



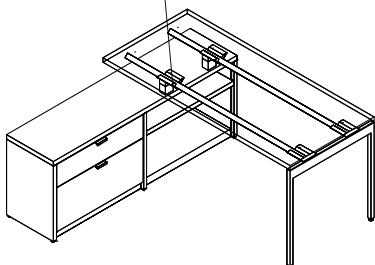
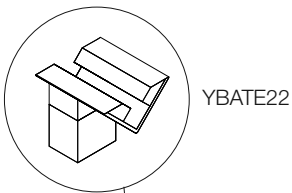
Antenna Desk Supported by 28 1/2" High Fence



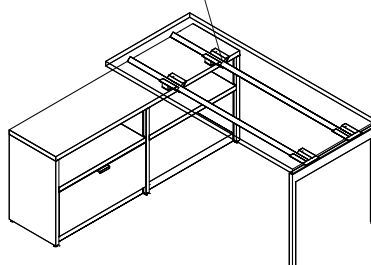
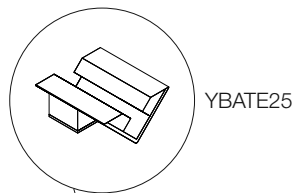
Antenna Desk Supported by 25" High Fence



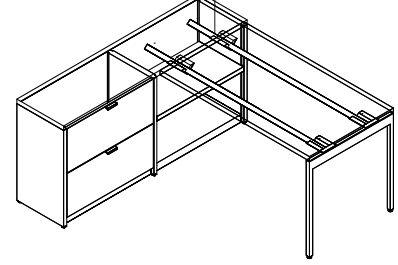
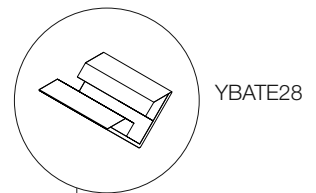
Desk Supported by 28 1/2" High Template Worksurface Shelf



Antenna Desk Supported by a 22" High Template Unit



Antenna Desk Supported by a 25" High Template Unit



Antenna Desk Supported by a 28 1/2" High Template Unit

Desk Support Adapters

Planning Guidelines and Specifications

Template Big Table Support

Template desk support adapters for big table enable 22" or 25" high Template storage cabinets to support the end of a big table in place of an end leg. Template assembly must be at least 48" wide, centered under the end of the big table and equipped with laminate or veneer top. Template desk support adapters are not applicable in the center of a big table to take the place of an intermediate leg. Template/Anchor big table support adaptor work with 24" - 30"D big table tops.

Template desks support adapters for big table and 22" high Template include a steel tube, which matches the top cross member of an end leg, with standard cradles supporting the rails and brackets supporting the center beam. Steel tube is secured to the top of Template storage with steel plates and wood screws.

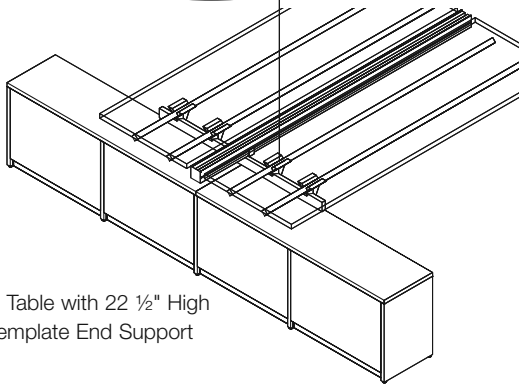
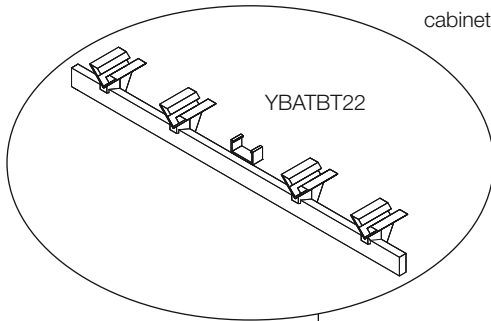
Template desk support adapters for big table and 25" high Template include a cast aluminum bracket on either side of the center beam and standard YBATE25 cradles securing the rails to the Template top. Desk support adapters may also be used with 25" high Antenna floorstanding wood cabinets to support the end of a big table.

Construction

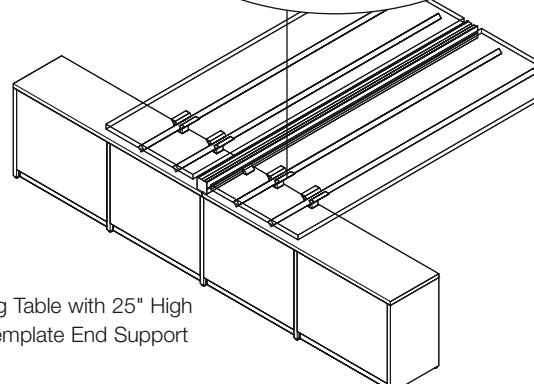
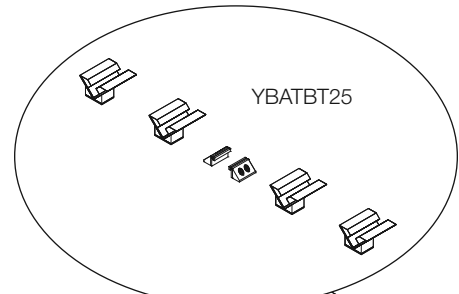
Desk support adapters consist of painted die cast aluminum cradles and brackets and steel cross member.

Specification Options

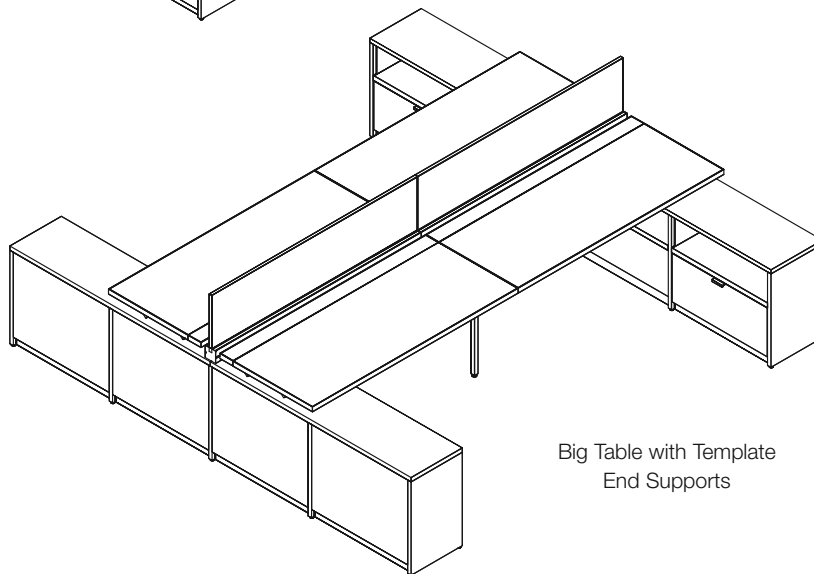
Specify desk support adapters in any Knoll Core paint finish.



Big Table with 22 1/2" High Template End Support



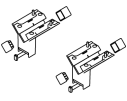
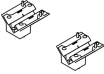

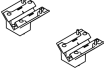
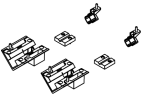
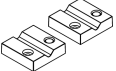
Big Table with 25" High Template End Support



Big Table with Template End Supports

Desk Support Adapters

For Fence, Template, Floorstanding Cabinets and Pedestals

description	type	w	d	h	pattern no.	list
	For use with 25" High Fence	4"	3"	1 3/4"	YBAFE25	\$130.
	For use with 28 1/2" High Fence	4"	3"	3"	YBAFE28	130.
<i>(YBAFE25 shown)</i>						
	For use with 28 1/2" High Case or Worksurface Shelf	4"	3"	1 3/4"	YBATE28	125.
	For use with 25" High Case	4"	3"	3"	YBATE25	111.
	For use with 22 1/2" High Case (credenza height)	4"	3"	5 1/2"	YBATE22	136.
<i>(YBATE25 shown)</i>						
	For use with 22 1/2" High Case (credenza height)				YBATBT22	652.
	For use with 25" High Case				YBATBT25	254.
<i>(YBATBT25 shown)</i>						
	For use with Floorstanding 25" High Pedestal	4"	3"	3"	YBATE25	111.
<i>(YBATE25 shown)</i>						
	For use with Double Wide Pedestal	4"	3"	3"	YBAW25	144.
	Includes 2 brackets and hardware				YSFA	17.

Desk and Table Support

Ordering Information

Desk Support Adaptors

1. Pattern Number
2. Paint Finish

Order Code

Desk Support Adaptors

Example: **YBAFE25, 118T**

YBA Adapter

FE Fence

25 Height

118T Bright White Paint

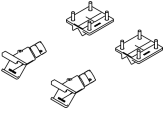
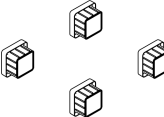
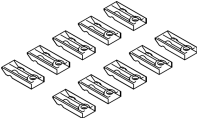

Included With

Desk Support Adaptors
Hardware

Options

Desk Support Adaptors

Connectors, End Caps, Worksurface Spacers and Flat Brackets

description	type	w	d	h	pattern no.	list
 Return or Bridge Rail Connector Kit (pair)	For Return or Bridge Connection	2"	1 1/4"	1 1/4"	YBCRR	\$76.
 Rail End Caps (Set of 4)	For End of Rails	1"	1/2"	1"	YBRE	33.
 Rail to Worksurface Spacers	Package of 10	1 3/4"	1/2"	1/4"	YBCWS	19.
 Flat Brackets Kit (pair)	For use with Adjacent Desks linking End-to-End or Back-to-Back	3"	2 3/4"	1/4"	YBF	14.

Ordering Information	Order Code	Included With	Options
Components for Reconfiguration 1. Pattern Number 2. Paint Finish	Components for Reconfiguration <i>Example:</i> YBCRR, 118T YBC Connector RR Rail to Return Rails 118T Bright White Paint	Components for Reconfiguration Hardware	Components for Reconfiguration

Center Beam for Big Tables

Planning Guidelines and Specifications

Center beam for big table is an extruded aluminum beam shared between facing tops of a dual big table.

Center beam incorporates a continuous channel on the top for friction fit privacy screens or stanchion mounted storage, a channel on each side for cantilever shelves or monitor arms, and a channel on the bottom for suspended power and data components. Center beams are supported by end legs or intermediate legs, which also define a 1 1/4" accessory mount and wire drop space on either side of the beam.

Center beams are available in 6" increments from 36"-96" wide and correspond to big table top widths.

Center beams drilled for T-light cable have a hole drilled 12" from one end to allow the power cable to pass through the beam to the underside of the table.

Center beam top caps fill the top channel slot of a center beam when no screens are planned. When upmounted storage, screens or KnollExtra T-lights are mounted to the center beam, top caps can be trimmed in the field to fit around brackets. A full end cap is used to cover the exposed end of the center beam. A partial end cap is used to cover the lower end of the center beam when an extension top or cabinet is specified at the end of a big table. Center beam top caps and end caps are specified separately.

Dual and single sided big tables with 36" deep tops that are 54" or wider need a mid span support leg to provide center beam support.

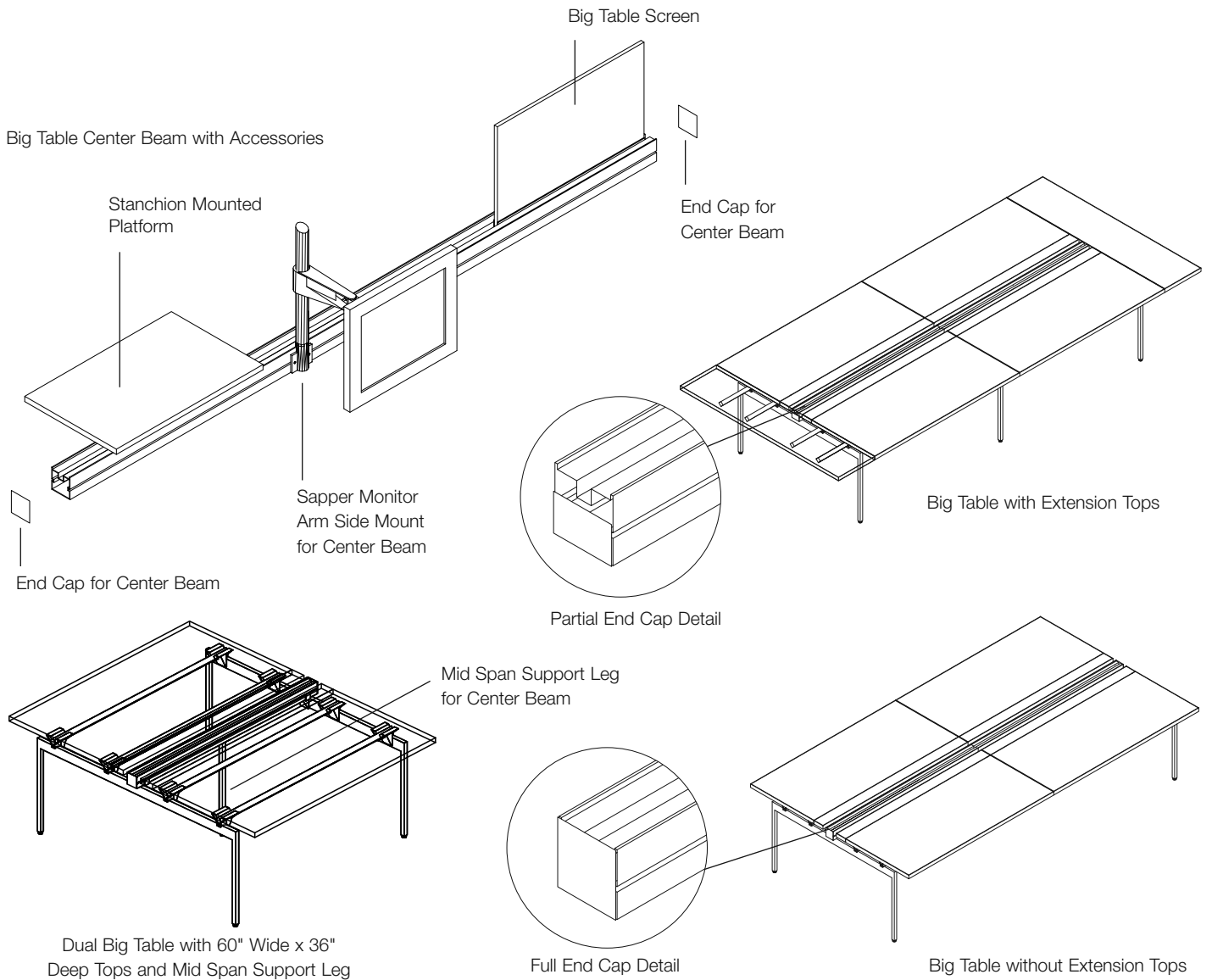
Mounting brackets and stanchions for storage, cantilever shelves and flat screen monitor arms must be specified separately.

Construction

Center beam is an aluminum extrusion 3 1/4" high and 3" deep. Top caps are extruded plastic. End caps are cast aluminum.

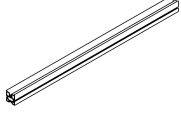
Specifications Options

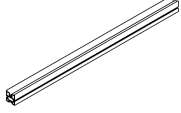
Center beams, end caps and top covers are available in any Knoll core, Dark Red or Slate Blue paint finish and must be specified separately.

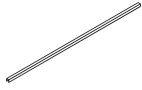


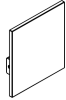
Center Beam for Big Tables

Center Beam, End Caps and Top Caps

description	type	w	d	h	pattern no.	list
Center Beam (no drilling for T-light cable) 	For 36" Wide Big Table Top	36"	3"	3 1/4"	YCB36	\$287.
	For 42" Wide Big Table Top	42"	3"	3 1/4"	YCB42	287.
	For 48" Wide Big Table Top	48"	3"	3 1/4"	YCB48	287.
	For 54" Wide Big Table Top	54"	3"	3 1/4"	YCB54	424.
	For 60" Wide Big Table Top	60"	3"	3 1/4"	YCB60	424.
	For 66" Wide Big Table Top	66"	3"	3 1/4"	YCB66	424.
	For 72" Wide Big Table Top	72"	3"	3 1/4"	YCB72	424.
	For 78" Wide Big Table Top	78"	3"	3 1/4"	YCB78	834.
	For 84" Wide Big Table Top	84"	3"	3 1/4"	YCB84	834.
	For 90" Wide Big Table Top	90"	3"	3 1/4"	YCB90	913.
For 96" Wide Big Table Top	96"	3"	3 1/4"	YCB96	913.	

Center Beam (Drilled for T-light cable) 	For 36" Wide Big Table Top	36"	3"	3 1/4"	YCBT36	321.
	For 42" Wide Big Table Top	42"	3"	3 1/4"	YCBT42	321.
	For 48" Wide Big Table Top	48"	3"	3 1/4"	YCBT48	321.
	For 54" Wide Big Table Top	54"	3"	3 1/4"	YCBT54	460.
	For 60" Wide Big Table Top	60"	3"	3 1/4"	YCBT60	460.
	For 66" Wide Big Table Top	66"	3"	3 1/4"	YCBT66	460.
	For 72" Wide Big Table Top	72"	3"	3 1/4"	YCBT72	460.
	For 78" Wide Big Table Top	78"	3"	3 1/4"	YCBT78	869.
	For 84" Wide Big Table Top	84"	3"	3 1/4"	YCBT84	869.
	For 90" Wide Big Table Top	90"	3"	3 1/4"	YCBT90	946.
For 96" Wide Big Table Top	96"	3"	3 1/4"	YCBT96	946.	

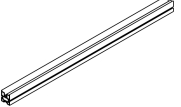
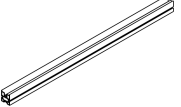
Center Beam Top Caps 	For 24" Wide Center Beam	24"	3"	3 1/4"	YCBCC24	45.
	For 30" Wide Center Beam	30"	3"	3 1/4"	YCBCC30	50.
	For 34", 35" and 36" Wide Center Beam	36"	3"	3 1/4"	YCBCC36	55.
	For 46", 47" and 48" Wide Center Beam	48"	3"	3 1/4"	YCBCC48	58.
	For 52", 53" and 54" Wide Center Beam	54"	3"	3 1/4"	YCBCC54	67.
	For 58", 59" and 60" Wide Center Beam	60"	3"	3 1/4"	YCBCC60	73.
	For 64", 65" and 66" Wide Center Beam	66"	3"	3 1/4"	YCBCC66	78.
	For 70", 71" and 72" Wide Center Beam	72"	3"	3 1/4"	YCBCC72	84.
	For 76", 77" and 78" Wide Center Beam	78"	3"	3 1/4"	YCBCC78	92.
	For 82", 83" and 84" Wide Center Beam	84"	3"	3 1/4"	YCBCC84	98.
	For 88", 89" and 90" Wide Center Beam	90"	3"	3 1/4"	YCBCC90	104.
	For 94", 95" and 96" Wide Center Beam	96"	3"	3 1/4"	YCBCC96	111.

Center Beam End Caps (Full Height Shown) 	Full Height	3"	3/8"	3 1/4"	YCBE	14.
	Partial Height For Use With Extension Top or Cabinets	3"	3/8"	2"	YCBPE	14.

Ordering Information	Order Code	Included With	Options
Center Beam 1. Pattern Number 2. Paint Finish	Center Beam <i>Example: YCB60, 118T</i> YCB Center Beam	Center Beam	Center Beam
End Caps 1. Pattern Number 2. Paint Finish	60 Width 118T Bright White Paint		
Center Beam Top Caps 1. Pattern Number 2. Paint Finish	<i>Example: YCBPE, 118T</i> YCB Center Beam PE Partial End 118T Bright White Paint		

Center Beam for Big Tables, Table Desk and Wide End Leg Antenna Workspaces

Center Beam

description	type	w	d	h	pattern no.	list
Center Beam, End Position (no drilling for T-light cable) 	For 36" Wide Big Table Top	35"	3"	3 1/4"	YCB35	\$287.
	For 42" Wide Big Table Top	41"	3"	3 1/4"	YCB41	287.
	For 48" Wide Big Table Top	47"	3"	3 1/4"	YCB47	287.
	For 54" Wide Big Table Top	53"	3"	3 1/4"	YCB53	424.
	For 60" Wide Big Table Top	59"	3"	3 1/4"	YCB59	424.
	For 66" Wide Big Table Top	65"	3"	3 1/4"	YCB65	424.
	For 72" Wide Big Table Top	71"	3"	3 1/4"	YCB71	424.
	For 78" Wide Big Table Top	77"	3"	3 1/4"	YCB77	834.
	For 84" Wide Big Table Top	83"	3"	3 1/4"	YCB83	834.
	For 90" Wide Big Table Top	89"	3"	3 1/4"	YCB89	913.
For 96" Wide Big Table Top	95"	3"	3 1/4"	YCB95	913.	
Center Beam, Dual Back to Back (no drilling for T-light cable) 	For 36" Wide Big Table Top	34"	3"	3 1/4"	YCB34	287.
	For 42" Wide Big Table Top	40"	3"	3 1/4"	YCB40	287.
	For 48" Wide Big Table Top	46"	3"	3 1/4"	YCB46	287.
	For 54" Wide Big Table Top	52"	3"	3 1/4"	YCB52	424.
	For 60" Wide Big Table Top	58"	3"	3 1/4"	YCB58	424.
	For 66" Wide Big Table Top	64"	3"	3 1/4"	YCB64	424.
	For 72" Wide Big Table Top	70"	3"	3 1/4"	YCB70	424.
	For 78" Wide Big Table Top	76"	3"	3 1/4"	YCB76	834.
	For 84" Wide Big Table Top	82"	3"	3 1/4"	YCB82	834.
	For 90" Wide Big Table Top	88"	3"	3 1/4"	YCB88	913.
For 96" Wide Big Table Top	94"	3"	3 1/4"	YCB94	913.	

Desk and Table Support

Ordering Information	Order Code	Included With	Options
Center Beam 1. Pattern Number 2. Paint Finish	Center Beam <i>Example: YCB60, 118T</i> YCB Center Beam	Center Beam	Center Beam
End Caps 1. Pattern Number 2. Paint Finish	60 Width 118T Bright White Paint End Caps		
Center Beam Top Caps 1. Pattern Number 2. Paint Finish	<i>Example: YCBPE, 118T</i> YCB Center Beam PE Partial End 118T Bright White Paint		

Sapper Monitor Arm for Antenna Center beam

Planning Guidelines and Specifications

Sapper Monitor Arm Side and Center Mount for Antenna Center Beam

Sapper arm mounts for Antenna enable masts from the Sapper Monitor Arm Collection to mount on the side or top of the Antenna Big Table center beam. These mounts can convert Sapper masts from other mounting applications, such as two-piece desk clamps, for use at the center of the big table.

Antenna Workspaces was designed to provide a "wire drop" in most desk and big table applications, in which Sapper Monitor Arms can be mounted. For desk-based planning or

big tables without hinged tops, Sapper Monitor Arm masts can be attached to the back or end of a top with the standard two-piece clamp base. For hinged tops in Big Table applications, however, masts must be mounted on the center beam, and can be ordered as a complete kit in the KnollExtra Sapper Monitor Arm Collection with those mounting options.

The center beam side mount supports a mast on the side edge of the center beam, enabling independent positioning of one or more monitors and room for a center screen behind and a hinged access door or standard wire drop in front.

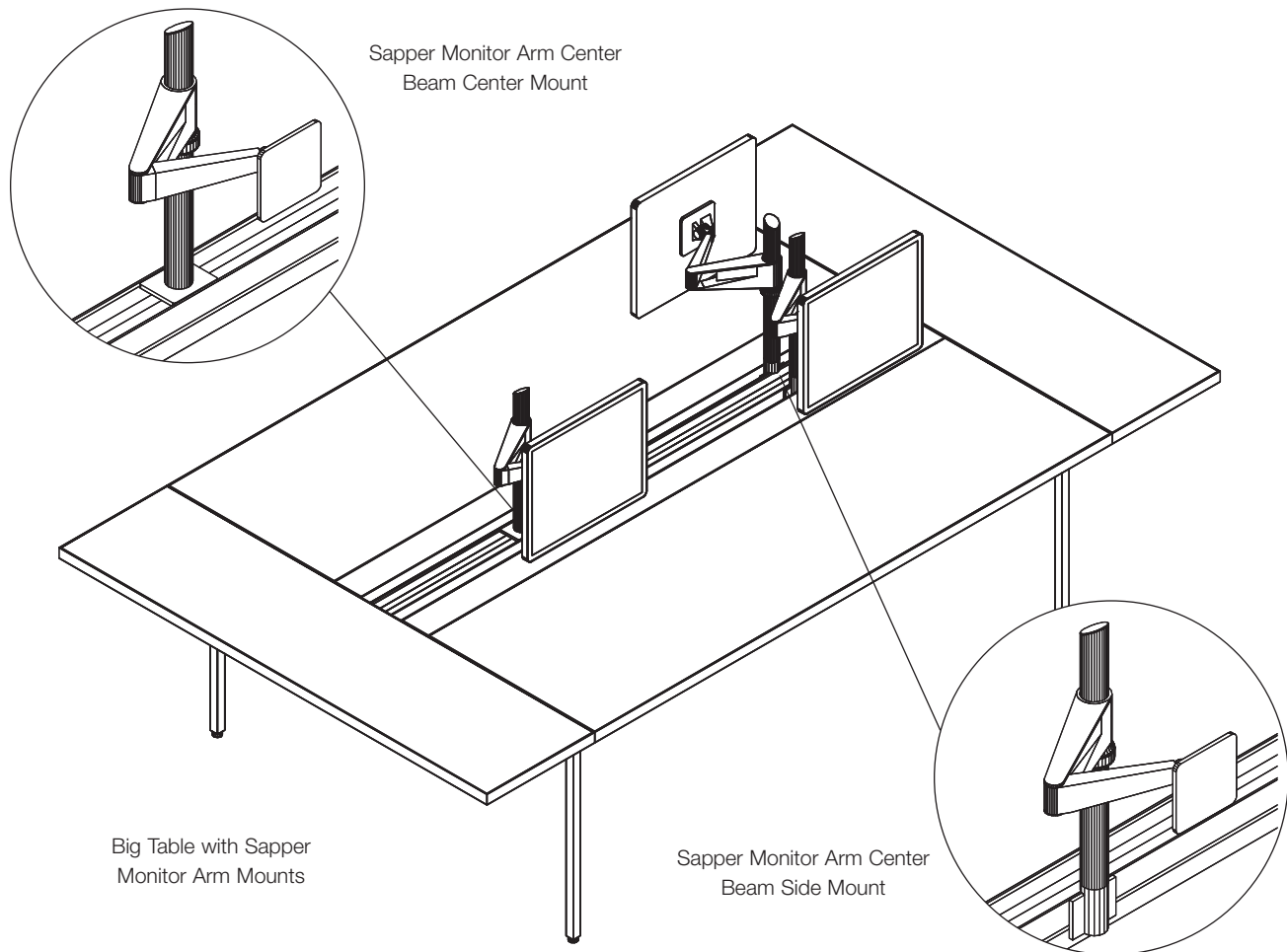
The center beam center mount supports a mast in the center top channel of the center beam, enabling shared use of the mast for monitor arms on both sides of the center beam. Center mount bracket occupies 4" of center beam in which screens or stanchions cannot be installed

Construction

The Sapper mounts are cast aluminum and extruded aluminum. The Sapper center beam center mount is a painted steel plate.

Specification Options

The Sapper mounts are available in any Knoll core paint finish, Dark Red or Slate Blue.



Keyboard Tray Mounting Kit

The keyboard tray mounting kit enables any KnollExtra keyboard support with sliding track to attach to the underside of an Antenna Workspaces desk, table or big table. The mounting kit suspends the sliding track from the desktop to directly below the rails, with full keyboard adjustability and retractability.

Keyboard tray must be specified with a sliding track that is less than the depth of the top and anything below the top, such as a power harness or cable basket. For example under a 24" deep desk with a power harness the

track should be no deeper than 18", and the keyboard may be restricted in where it can rotate when retracted. Under a 30" deep big table top with centered power, the track should be no deeper than 26" to clear access to power and cable baskets. Under a table/desk without cable trays or power any keyboard support with track less deep than the top should fit.

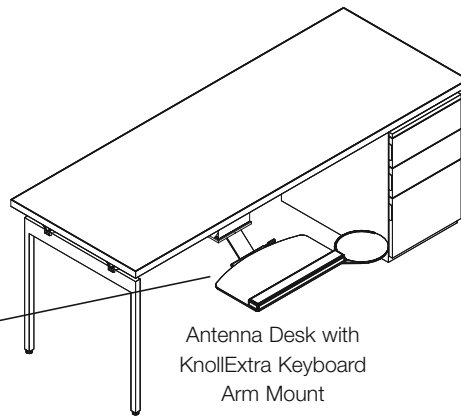
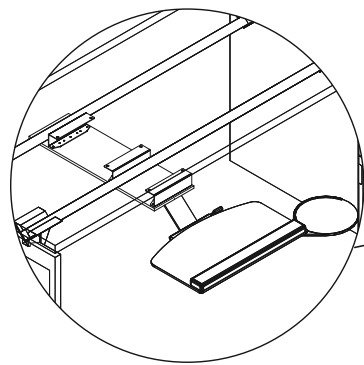
The keyboard tray mounting kit includes three black steel brackets that attach just below the front edge of the top and between the rails supporting the top.

CPU Mounting Kit

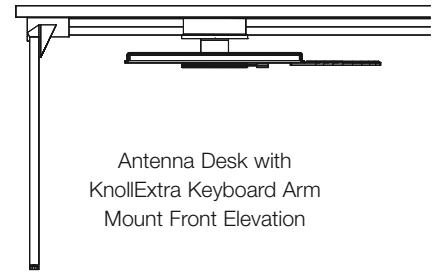
The CPU mounting kit enables most KnollExtra CPU frames to be mounted to the underside of Antenna desks or big tables. The mounting kit includes brackets that suspend the sliding track from the desktop to directly below the rails, enabling full CPU holder rotation and retractability. The mounting kit includes two black steel brackets that attach in front of and between the two steel rails in desk-based or big table planning. Any KnollExtra CPU can be mounted under a top deeper than the mounting track.

Construction

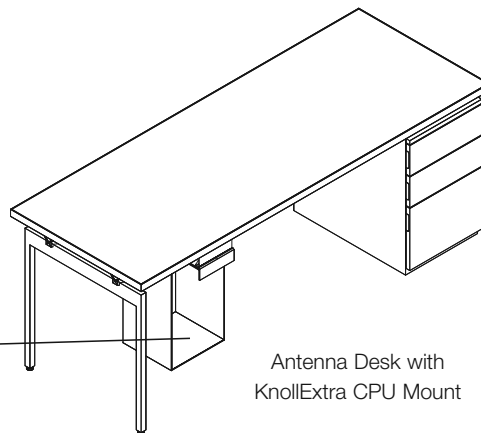
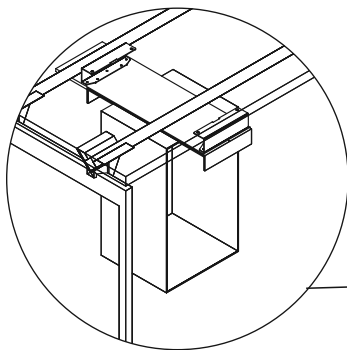
CPU and keyboard support mount kits are formed steel, painted black.



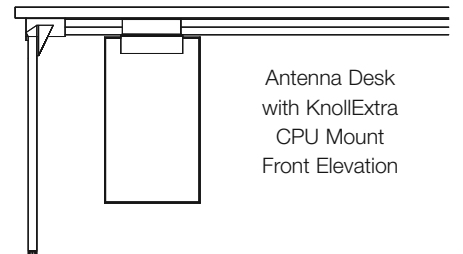
Antenna Desk with KnollExtra Keyboard Arm Mount



Antenna Desk with KnollExtra Keyboard Arm Mount Front Elevation



Antenna Desk with KnollExtra CPU Mount

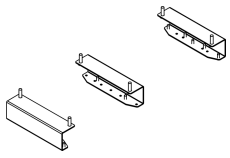


Antenna Desk with KnollExtra CPU Mount Front Elevation

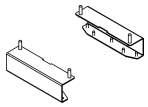
Keyboard Tray and CPU Holder Mounts

For Desk and Big Tables

description	type	w	d	h	pattern no.	list
KnollExtra Keyboard Tray Mount Kit	For attachment to underside of top	6"	1 1/4"	1 7/8"	YAK	\$119.

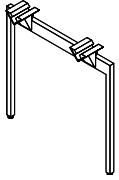


KnollExtra CPU Holder Mount Kit	For attachment to underside of top	6"	1 1/4"	1 7/8"	YACPU	78.
---------------------------------	------------------------------------	----	--------	--------	--------------	-----

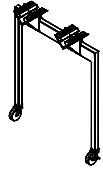


Ordering Information	Order Code	Included With	Options
Keyboard Tray/CPU Holder Mount Kit	Keyboard Tray Mount Kit	Keyboard Tray Mount Kit	Attachment Hardware
1. Pattern Number	<i>Example:</i> YAK YAK Keyboard Tray Mount	CPU Holder Mount Kit	Attachment Hardware

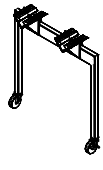
Desk End Legs



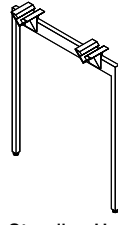
Desk Height End Leg
Leg with Top: 28-1/2" High
Leg: 27" High



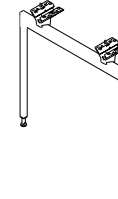
Desk Height End Leg with Casters
Leg with Top: 28-1/2" High
Leg: 27" High



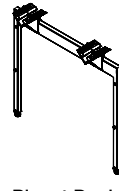
Low Height End Leg with Casters
Leg with Top: 25" High
Leg: 23-1/2" High



Standing Height End Leg
Leg with Top: 36-1/2" High
Leg: 35" High

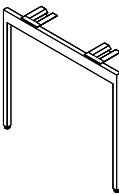


Adjustable Height End Leg
Leg with Top: 28 1/2" - 31 1/2" High
Leg: 27" - 30" High

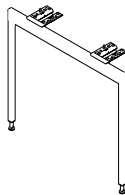


Pinset Desk End Leg
Leg with Top: 27-1/2" - 36-1/2" High
Leg: 26" - 35" High

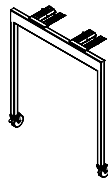
Table Desk End Legs



Desk Height Table Desk End Leg
Leg with Top: 28-1/2" High
Leg: 27" High

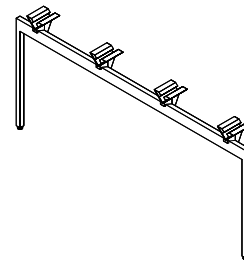


Adjustable Height Table Desk End Leg
Leg with Top: 28 1/2" - 31 1/2" High
Leg: 27" - 30" High

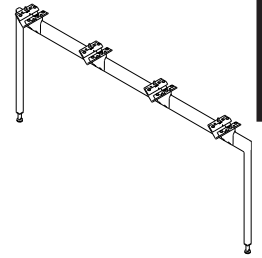


Desk Height Table Desk End Leg with Casters
Leg with Top: 28-1/2" High
Leg: 27" High

Back to Back End Legs



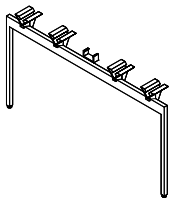
Desk Height Back to Back Desk End Leg
Leg with Top: 28-1/2" High
Leg: 27" High



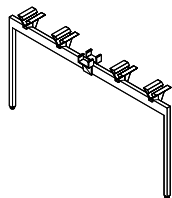
Adjustable Height Back to Back Desk End Leg
Leg with Top: 28 1/2" - 31 1/2" High
Leg: 27" - 30" High

Desk and Table Support

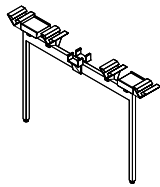
Dual Big Table Legs



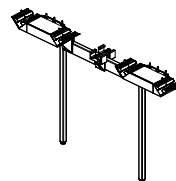
Desk Height End Leg
Leg with Top: 28-1/2" High
Leg: 27" High



Desk Height Intermediate Leg
Leg with Top: 28-1/2" High
Leg: 27" High



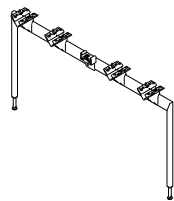
Desk Height Inset Intermediate Leg
Leg with Top: 28-1/2" High
Leg: 27" High



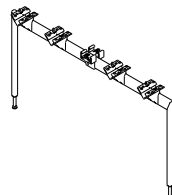
Deep Inset Intermediate Leg
Leg with Top: 28-1/2" High
Leg: 27" High



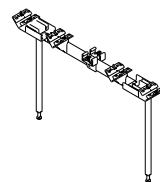
Desk Height Mid Span Support Leg
Leg with Top: 28-1/2" High
Leg: 27" High



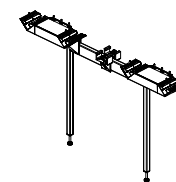
Adjustable Height End Leg
Leg with Top: 28 1/2" - 31 1/2" High
Leg: 27" - 30" High



Adjustable Height Intermediate Leg
Leg with Top: 28 1/2" - 31 1/2" High
Leg: 27" - 30" High



Adjustable Height Inset Intermediate Leg
Leg with Top: 28 1/2" - 31 1/2" High
Leg: 27" - 30" High

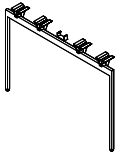


Adjustable Height Deep Inset Intermediate Leg
Leg with Top: 28 1/2" - 31 1/2" High
Leg: 27" - 30" High

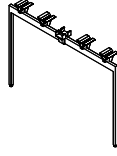


Adjustable Height Mid Span Support Leg
Leg with Top: 28 1/2" - 31 1/2" High
Leg: 27" - 30" High

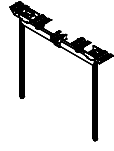
36" Standing Height Dual Big Table Legs



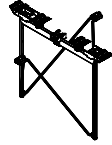
36" Standing Height End Leg
Leg with Top: 36 1/2"
Leg with Cradles: 35"
Leg Weldmount: 33"



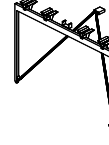
36" Standing Height Intermediate Leg



36" Standing Height Inset Intermediate Leg
(24"/27"/30" dual only)

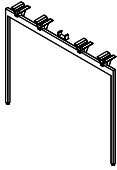


36" Standing Height Intermediate Leg Brace
(shown with Inset Intermediate Leg)



36" Standing Height End Leg Support Brace
(shown with Two Position End Leg)

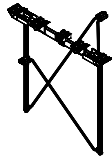
42" Standing Height Dual Big Table Legs



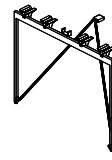
42" Standing Height End Leg
Leg with Top: 42 1/2"
Leg with Cradles: 41"
Leg Weldmount: 39"



42" Standing Height Inset Intermediate Leg
(24"/27"/30" dual only)

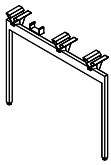


42" Standing Height Inset Intermediate Leg Brace
(shown with Inset Intermediate Leg)

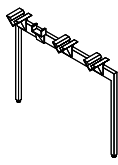


42" Standing Height End Leg Support Brace
(shown with Two Position End Leg)

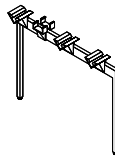
Single Sided Big Table Legs



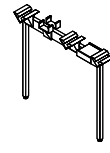
Desk Height Left End Leg
Leg with Top: 28-1/2" High
Leg: 27" High



Desk Height Right End Leg
Leg with Top: 28-1/2" High
Leg: 27" High



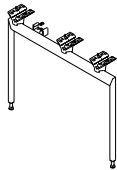
Desk Height Intermediate Leg
Leg with Top: 28-1/2" High
Leg: 27" High



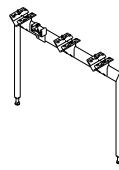
Desk Height Inset Intermediate Leg
Leg with Top: 28-1/2" High
Leg: 27" High



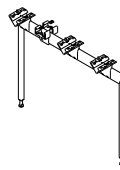
Desk Height Mid Span Support Leg
Leg with Top: 28-1/2" High
Leg: 27" High



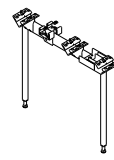
Adjustable Height Left End Leg
Leg with Top: 28 1/2" - 31 1/2" High
Leg: 27" - 30" High



Adjustable Height Right End Leg
Leg with Top: 28 1/2" - 31 1/2" High
Leg: 27" - 30" High



Adjustable Height Intermediate Leg
Leg with Top: 28 1/2" - 31 1/2" High
Leg: 27" - 30" High



Adjustable Height Inset Intermediate Leg
Leg with Top: 28 1/2" - 31 1/2" High
Leg: 27" - 30" High



Adjustable Height Mid Span Support Leg
Leg with Top: 28 1/2" - 31 1/2" High
Leg: 27" - 30" High

Desk height end legs are inverted U-shaped supports. End legs for desks are 3" less than corresponding desk top depth, inset 1 1/2" from front and back desk top edge.

Desk height end legs support a worksurface height of 28 1/2". Adjustable height desk end legs are also available for applications needing more than the 1 1/2" height adjustability provided by desk height end leg levelers. Adjustable height desk end legs support a worksurface height ranging from 28 1/2" - 31 1/2". Standing height end legs support a 36 1/2" high worksurface. Pinset end legs support a worksurface height ranging from 27 1/2" - 36 1/2".

Desk end legs are also available with casters (one locking, one non-locking). Desk height end legs with casters support a worksurface height of 28 1/2". Low desk height end legs with casters support a worksurface height of 24 1/2". When casters are required, the entire leg assembly with casters must be specified.

End legs include two cradles and two levelers. Cradles are V-shaped connectors with clamps that secure the rails at a diagonal over the leg and fasten the legs and rails to the top. Legs for 18" deep tops are for return applications only.

Construction

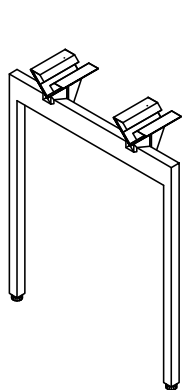
Desk end legs are 25" high steel weldments with 1" square legs and a 2 1/2" horizontal rail. Desk end legs include 2 1/2" levelers with 3/8" stems and continuous 1 1/2" adjustment range. Weldments for desk end legs with casters are 22" high. Low desk end leg weldments are 19" high. Adjustable desk end leg weldments are 25" high including 5" levelers with 5/8" stems and 3" continuous adjustment range. Standing height desk end leg weldments are 33" high including levelers with 1 1/2" height range. Pinset end leg weldments are 23" - 31" high including pinset adjustment of 9".

Cradles and clamps are cast aluminum with countersunk fasteners into legs, mating parts and top.

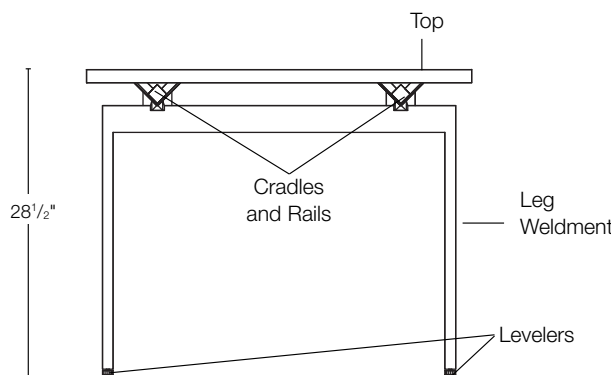
Specification Options

End legs are available in any Knoll core, Clear, Dark Red or Slate Blue paint finish. Specify cradle finish separately in any Knoll core, Clear, Dark Red or Slate Blue paint finish.

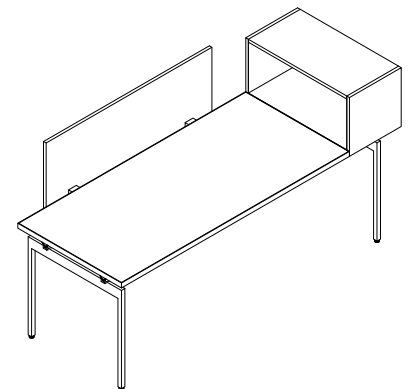
Desk and Table Support



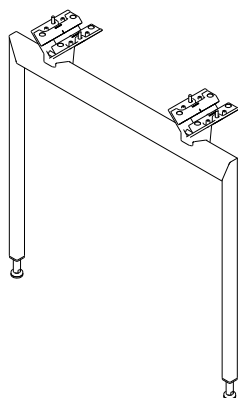
Desk Height End Leg



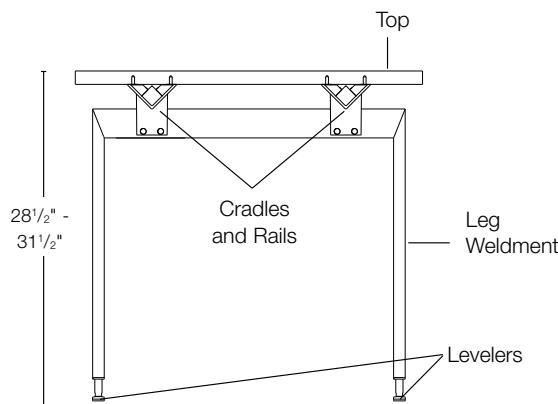
Desk Height End Leg End Elevation



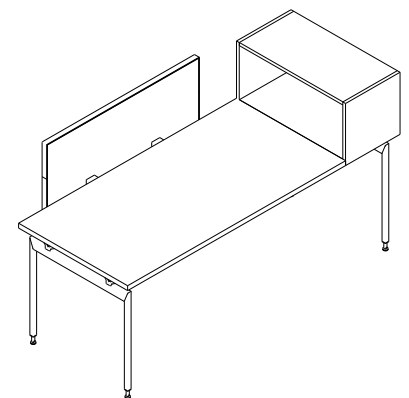
Desk with Desk Height End Legs, Above Desk Extension Cabinet and Screen



Adjustable Height End Leg



Adjustable Height End Leg End Elevation



Desk with Adjustable Height End Legs and Suspended File

Legs for Desks or Returns

Planning Guidelines and Specifications

Desk height end legs are inverted U-shaped supports. End legs for desks are 3" less than corresponding desk top depth, inset 1 1/2" from front and back desk top edge.

Desk height end legs support a worksurface height of 28 1/2". Adjustable height desk end legs are also available for applications needing more than the 1 1/2" height adjustability provided by desk height end leg levelers. Adjustable height desk end legs support a worksurface height ranging from 27" - 30". Standing height end legs support a 36 1/2" high worksurface. Pinset end legs support a worksurface height ranging from 27-1/2" - 36-1/2".

Desk end legs are also available with casters (one locking, one non-locking). Desk height end legs with casters support a worksurface height of 28-1/2". Low desk height end legs with casters support a worksurface height of 24-1/2". When casters are required, the entire leg assembly with casters must be specified.

End legs include two cradles and two levelers. Cradles are V-shaped connectors with clamps that secure the rails at a diagonal over the leg and fasten the legs and rails to the top. Legs for 18" deep tops are for return applications only.

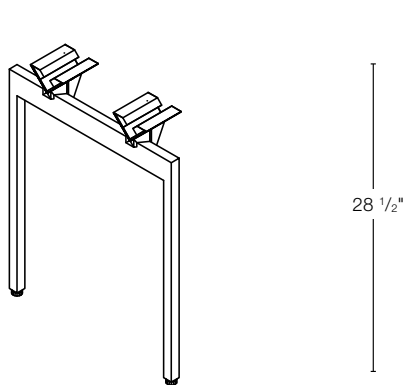
Construction

Desk end legs are 25" high steel weldments with 1" square legs and a 2 1/2" horizontal rail. Desk end legs include 2 1/2" levelers with 3/8" stems and continuous 1 1/2" adjustment range. Weldments for desk end legs with casters are 22" high. Low desk end leg weldments are 19" high. Adjustable desk end leg weldments are 23" high including 5" levelers with 5/8" stems and 3" continuous adjustment range. Standing height desk end leg weldments are 33" high including levelers with 1 1/2" height range. Pinset end leg weldments are 23" - 31" high including pinset adjustment of 9".

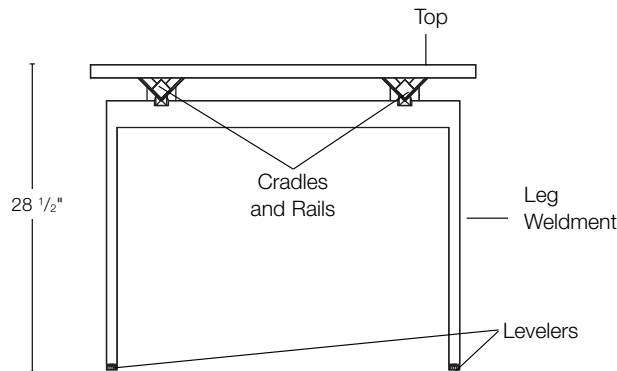
Cradles and clamps are cast aluminum with countersunk fasteners into legs, mating parts and top.

Specification Options

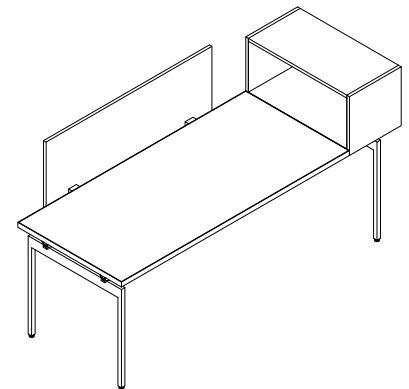
End legs are available in any Knoll core, Clear, Dark Red or Slate Blue paint finish. Specify cradle finish separately in any Knoll core, Clear, Dark Red or Slate Blue paint finish.



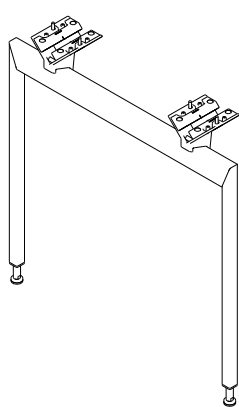
Desk Height End Leg



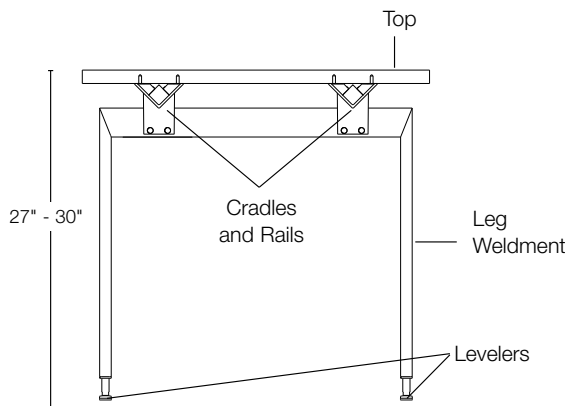
Desk Height End Leg End Elevation



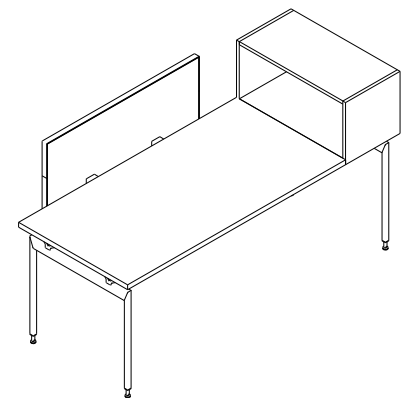
Desk with Desk Height End Legs, Above Desk Extension Cabinet and Screen



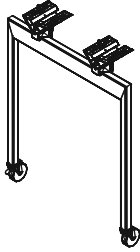
Adjustable Height End Leg



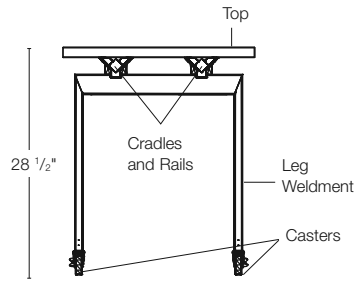
Adjustable Height End Leg End Elevation



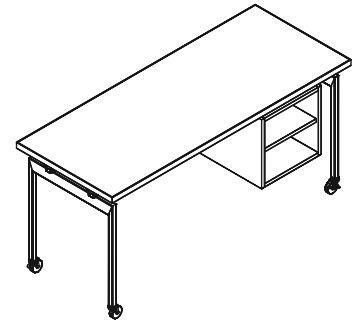
Desk with Adjustable Height End Legs and Suspended File



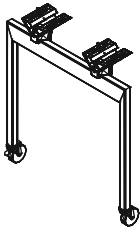
Desk Height End Leg with Casters



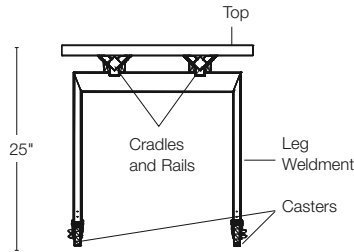
Desk Height End Leg with Casters End Elevation



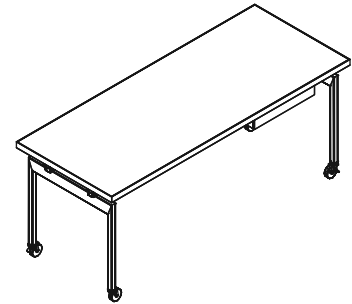
Desk with Desk Height End Legs with Casters and Suspended Open Cabinet



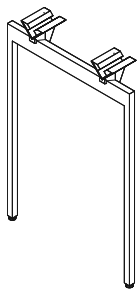
Low Desk Height End Leg with Casters



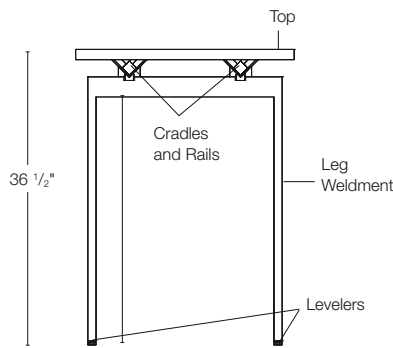
Low Desk Height End Leg with Casters End Elevation



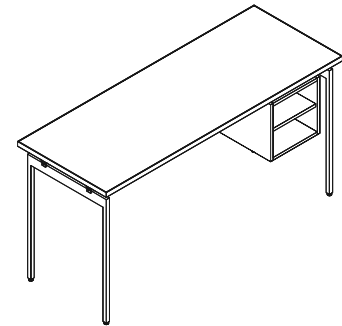
Desk with Low Desk Height End Legs with Casters and Suspended Open Cabinet



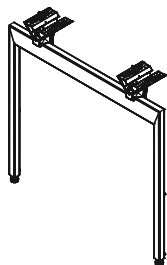
Standing Height End Leg



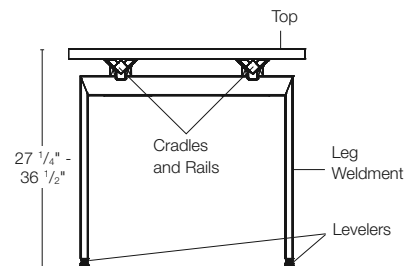
Standing Height End Leg End Elevation



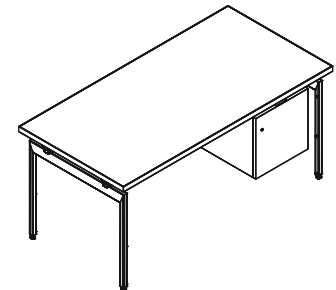
Desk with Standing Height End Legs and Suspended Open Cabinet



Pinset Desk End Leg



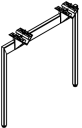
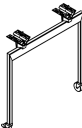
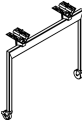
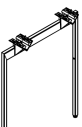
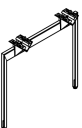
Pinset Desk End Leg End Elevation



Desk with Pinset Desk End Legs and Suspended File

Legs for Desks or Returns

Desk, Low Desk, Standing, Adjustable Height and Pinset

description	type	d	w	h	pattern no.	list
 Desk Height End Legs for Desks or Returns	For 18" Deep Top	15"	1"	27"	YELD18	\$339.
	For 24" Deep Top	21"	1"	27"	YELD24	352.
	For 27" Deep Top	24"	1"	27"	YELD27	357.
	For 30" Deep Top	27"	1"	27"	YELD30	365.
	For 36" Deep Top	33"	1"	27"	YELD36	379.
	For 42" or 48" Deep Top	39"	1"	27"	YELD42	405.
 Desk Height End Legs with Casters for Desks or Returns	For 18" Deep Top	15"	1"	27"	YELCD18	386.
	For 24" Deep Top	21"	1"	27"	YELCD24	401.
	For 27" Deep Top	24"	1"	27"	YELCD27	407.
	For 30" Deep Top	27"	1"	27"	YELCD30	413.
	For 36" Deep Top	33"	1"	27"	YELCD36	426.
 Low Desk Height End Legs with Casters for Desks or Returns	For 18" Deep Top	15"	1"	23 1/2"	YELCM18	386.
	For 24" Deep Top	21"	1"	23 1/2"	YELCM24	401.
	For 27" Deep Top	24"	1"	23 1/2"	YELCM27	407.
	For 30" Deep Top	27"	1"	23 1/2"	YELCM30	413.
	For 36" Deep Top	33"	1"	23 1/2"	YELCM36	426.
 Standing Height End Legs for Desks or Returns	For 24" Deep Top	21"	1"	35"	YELH24	582.
	For 27" Deep Top	24"	1"	35"	YELH27	596.
	For 30" Deep Top	27"	1"	35"	YELH30	608.
	For 36" Deep Top	33"	1"	35"	YELH36	620.
	For 42" or 48" Deep Top	39"	1"	35"	YELH42	633.
 Adjustable Height End Legs for Desks or Returns	For 18" Deep Top	15"	1"	27" - 30"	YEL2A18	379.
	For 24" Deep Top	21"	1"	27" - 30"	YEL2A24	390.
	For 27" Deep Top	24"	1"	27" - 30"	YEL2A27	399.
	For 30" Deep Top	27"	1"	27" - 30"	YEL2A30	405.
	For 36" Deep Top	33"	1"	27" - 30"	YEL2A36	419.
	For 42" or 48" Deep Top	39"	1"	27" - 30"	YEL2A42	444.

Ordering Information

End Legs for Desks/Returns

1. Pattern Number
2. Leg Paint Finish
3. Cradle Paint Finish

Order Code

End Legs for Desks/Returns

Example: **YELD30, 118T, 118T**

YEL	End Leg
D	Desk Height
30	Depth
118T	Bright White Paint
118T	Bright White Paint

Included With

End Legs for Desks/Returns


- (2) Glides or Casters
- (2) Cradles
- Attachment Hardware

Options

End Legs for Desks/Returns

Legs for Desks or Returns

Desk, Low Desk, Standing, Adjustable Height and Pinset

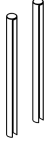
description	type	d	w	h	pattern no.	list
 Pinset Desk End Legs for Desks or Returns	For 24" Deep Top	21"	1"	26"-35"	YELP24	\$594.
	For 27" Deep Top	24"	1"	26"-35"	YELP27	600.
	For 30" Deep Top	27"	1"	26"-35"	YELP30	606.
	For 36" Deep Top	33"	1"	26"-35"	YELP36	619.

Ordering Information	Order Code	Included With	Options
End Legs for Desks/Returns 1. Pattern Number 2. Leg Paint Finish 3. Cradle Paint Finish	End Legs for Desks/Returns <i>Example:</i> YELD30, 118T, 118T YEL End Leg D Desk Height 30 Depth 118T Bright White Paint 118T Bright White Paint	End Legs for Desks/Returns (2) Glides or Casters (2) Cradles Attachment Hardware	End Legs for Desks/Returns

Legs for Desks or Returns

Desk Height Wood Wrap

description	type	d	w	h	pattern no.	list
Wood wrap for Desk Height End Leg, Pair		1 3/4"	1 3/4"	25"	YELDW	\$341.



Ordering Information

Wood wrap for Desk Height End Leg, Pair

1. Pattern Number

Order Code

Wood Wrap for Desk Height End Leg, Pair

Example: **YELDW**

YEL End Leg

W Wood Wrap

Included With

Wood Wrap for Desk Height End Leg, Pair

Attachment tape

Options

Wood Wrap for Desk Height End Leg, Pair

Table desk end legs are 27" high inverted U-shape supports. Unlike desk end legs that attach to the underside of rails, table desk end legs capture the ends of the rails. End legs for tables can only be installed at the end of a desk top and are taller than standard end legs, so knees can fit under the end of the table. End legs for tables are the same overall depth as corresponding tops. End legs include two cradles and two levelers. Cradles are V-shaped connectors with clamps that secure the rails at a diagonal over the leg and fasten the legs and rails to the top.

End legs for tables are designed for end support of freestanding tables or returns only. Desk height table desk end legs support a worksurface height of 28 1/2". Adjustable height table desk end legs are also available

for applications needing more than the 1 1/2" height adjustability provided by desk height table desk end leg levelers. Adjustable height table desk end legs support a worksurface height ranging from 28 1/2" - 31 1/2". Legs for 18" deep tops are for return applications only.

Desk end legs are also available with casters. Desk height end legs with casters support a worksurface height of 28-1/2". When casters are required, the entire leg assembly with casters must be specified.

Construction

Table desk end legs are steel 27" high weldments with 1" square legs and a 2 1/2" horizontal rail. Legs include 2 1/2" levelers with 3/8" stems and continuous 1 1/2" adjustment range. Weldments for table desk legs with casters are 24" high.

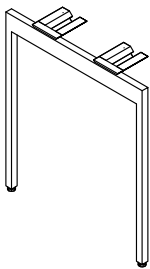
Adjustable table leg weldments are 27" - 30" high including 5" levelers with 5/8" stems and 3" continuous adjustment range. Weldments for table desk legs with casters are 24" high.

Cradles and clamps are cast aluminum with countersunk fasteners into legs, mating parts and top.

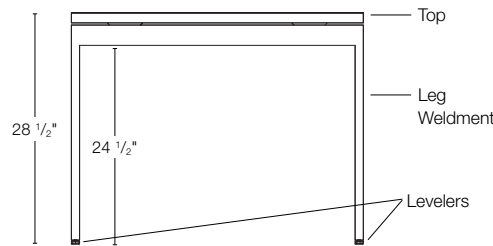
Specification Options

Table desk end legs can be specified in chrome or any Knoll core, Clear, Dark Red, or Slate Blue paint finish. Specify cradle finish separately in any Knoll core, Clear, Dark Red or Slate Blue paint finish.

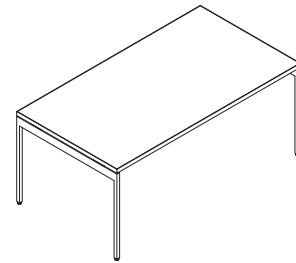
Desk and Table Support



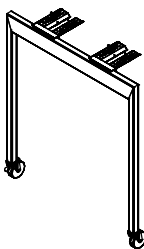
Desk Height Table Desk End Leg



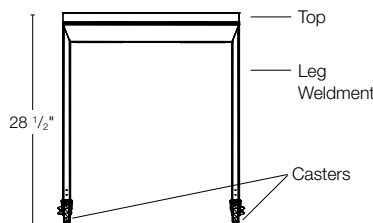
Desk Height Table End Elevation



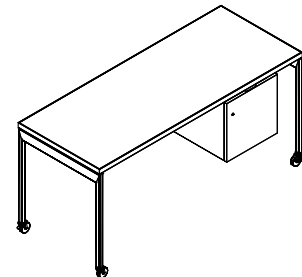
Desk Height Table Desk



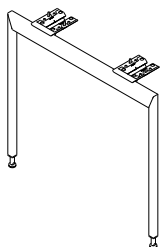
Desk Height Table Desk End Leg with Casters



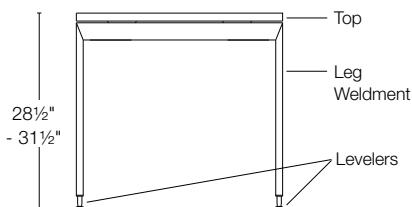
Desk Height Table Desk End Leg with Casters End Elevation



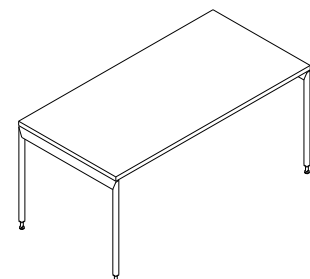
Desk with Desk Height Table Desk End Legs with Casters and Suspended File Cabinet



Adjustable Height Table Desk End Leg



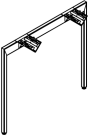
Adjustable Height Table Desk End Leg End Elevation

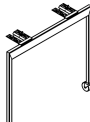



Desk with Adjustable Height Table Desk End Legs with Screen

Legs for Table Desks

Desk and Adjustable Height

description	type	w	d	h	pattern no.	Painted	Chrome
	For 18" Deep Top	1"	18"	27"	YELSD18	\$365.	\$573.
	For 24" Deep Top	1"	24"	27"	YELSD24	379.	590.
	For 27" Deep Top	1"	27"	27"	YELSD27	384.	651.
	For 30" Deep Top	1"	30"	27"	YELSD30	390.	660.
	For 36" Deep Top	1"	36"	27"	YELSD36	405.	727.
	For 42" Deep Top	1"	42"	27"	YELSD42	424.	778.
	For 48" Deep Top	1"	48"	27"	YELSD48	430.	821.

	For 24" Deep Top	1"	24"	27"	YELSCD24	413.	n/a
	For 27" Deep Top	1"	27"	27"	YELSCD27	426.	n/a
	For 30" Deep Top	1"	30"	27"	YELSCD30	433.	n/a
	For 36" Deep Top	1"	36"	27"	YELSCD36	439.	n/a
	For 42" Deep Top	1"	42"	27"	YELSCD42	451.	n/a
	For 48" Deep Top	1"	48"	27"	YELSCD48	473.	n/a

	For 18" Deep Top	1"	18"	27" - 30"	YEL2SA18	405.	n/a
	For 24" Deep Top	1"	24"	27" - 30"	YEL2SA24	419.	n/a
	For 27" Deep Top	1"	27"	27" - 30"	YEL2SA27	424.	n/a
	For 30" Deep Top	1"	30"	27" - 30"	YEL2SA30	430.	n/a
	For 36" Deep Top	1"	36"	27" - 30"	YEL2SA36	444.	n/a
	For 42" Deep Top	1"	42"	27" - 30"	YEL2SA42	463.	n/a
	For 48" Deep Top	1"	48"	27" - 30"	YEL2SA48	471.	n/a

Ordering Information

End Legs for Desks/Returns

1. Pattern Number
2. Leg Paint Finish
3. Cradle Paint Finish

Order Code

End Legs for Table Desks

Example: **YELSD30, 118T, 118T**

YEL	End Leg
S	Table Desk
D	Desk Height
30	Depth
118T	Bright White Paint
118T	Bright White Paint

Included With

End Legs for Table Desks

- (2) Glides or Casters
- (2) Cradles
- Attachment Hardware

Options

End Legs for Table Desks

Finish Options:

Table Desk End Legs are available in Knoll core paints, Clear (138), Dard Red (130) and Slate Blue (131) paint finishes, as well as polished chrome (PD) finish.

Legs for Back to Back Desks

Planning Guidelines and Specifications

End legs for back to back desks are 25" high inverted U-shape supports. A back to back desk end leg supports one end of back to back desk tops or can be shared between adjacent pairs of back to back tops. End legs include two cradles and two levelers. Cradles are V-shaped connectors with clamps that secure the rails at a diagonal over the leg and fasten the legs and rails to the top. End legs also include two levelers.

End legs are normally positioned 1 1/2" from the end of the tops, but maybe inset for suspended storage.

Designed to create a 3 3/4" space between the back-to-back tops for a desk mounted screen and wire drops on each side, dual end legs are inset 1 1/2" from the front edges of the

tops creating an overall depth 3/4" less than the sum of corresponding back to back top depths. Shared screens can be positioned no closer to the end of the tops than 3".

Desk height back to back desk end legs support a worksurface height of 28 1/2". Adjustable back to back desk end legs are also available for applications needing more than the 1 1/2" height adjustability provided by desk height back to back desk end leg levelers. Adjustable height back to back desk end legs support a worksurface height ranging from 28 1/2" - 31 1/2". Hinged tops are not compatible with back to back desk legs.

Construction

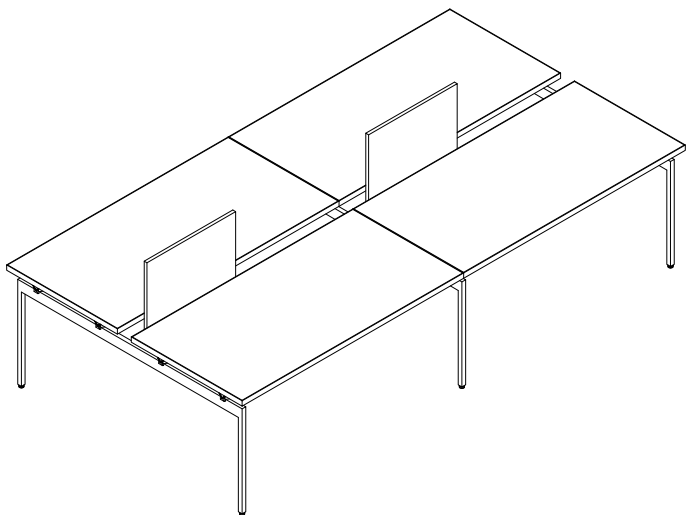
Back to back desk end legs are 25" high steel weldments with 1" square legs and a 2 1/2" horizontal rail. Legs include 2 1/2" levelers with 3/8" stems and continuous 1 1/2" adjustment range. Adjustable back to back desk leg weldments are 25" high including 5" levelers with 5/8" stems and 3" continuous adjustment range.

Cradles and clamps are cast aluminum with countersunk fasteners into legs, mating parts and top.

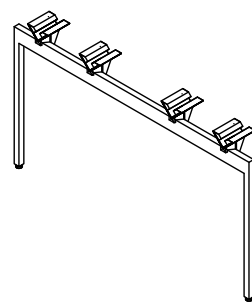
Specification Options

Back to back desk end legs can be specified in any Knoll core, Clear, Dark Red, or Slate Blue paint finish. Specify cradle finish separately in any Knoll core, Clear, Dark Red or Slate Blue paint finish.

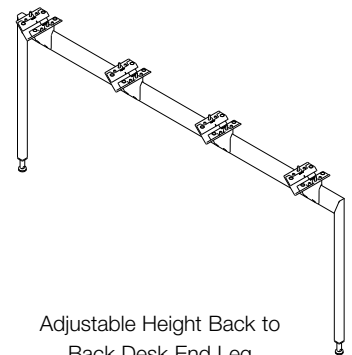
Desk and Table Support



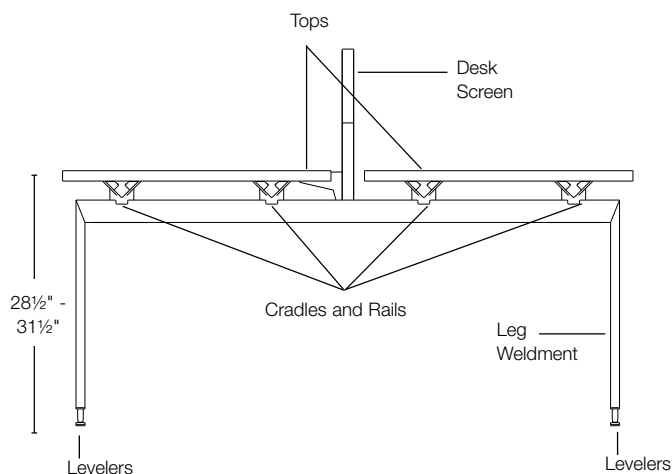
Desk Height Back to Back Desk with Screens



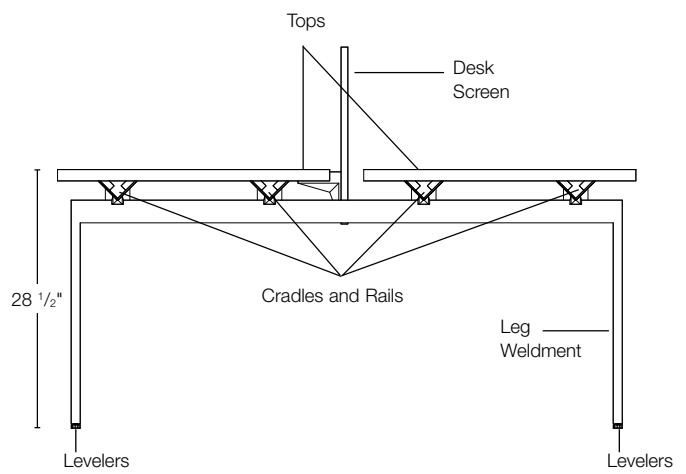
Desk Height Back to Back Desk End Leg



Adjustable Height Back to Back Desk End Leg



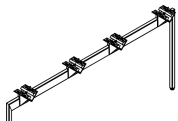
Adjustable Height Back to Back Desk End Leg End Elevation

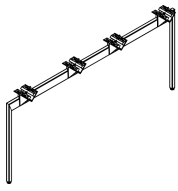


Desk Height Back to Back Desk End Elevation

Legs for Back to Back Desks

Desk Height and Adjustable Height

description	type	w	d	h	pattern no.	list
	For 18" Deep Back to Back Tops	1"	36 ³ / ₄ "	27"	YELDD18	\$521.
	For 24" Deep Back to Back Tops	1"	48 ³ / ₄ "	27"	YELDD24	549.
	For 27" Deep Back to Back Tops	1"	54 ³ / ₄ "	27"	YELDD27	573.
	For 30" Deep Back to Back Tops	1"	60 ³ / ₄ "	27"	YELDD30	589.
	For 36" Deep Back to Back Tops	1"	72 ³ / ₄ "	27"	YELDD36	601.

description	type	w	d	h	pattern no.	list
	For 18" Deep Back to Back Tops	1"	36 ³ / ₄ "	27" - 30"	YEL2DA18	561.
	For 24" Deep Back to Back Tops	1"	48 ³ / ₄ "	27" - 30"	YEL2DA24	589.
	For 27" Deep Back to Back Tops	1"	54 ³ / ₄ "	27" - 30"	YEL2DA27	613.
	For 30" Deep Back to Back Tops	1"	60 ³ / ₄ "	27" - 30"	YEL2DA30	625.
	For 36" Deep Back to Back Tops	1"	72 ³ / ₄ "	27" - 30"	YEL2DA36	641.

Ordering Information

End Legs for Back to Back Desks

1. Pattern Number
2. Leg Paint Finish
3. Cradle Paint Finish

Order Code

End Legs for Back to Back Desks

Example: **YELDD30, 118T, 118T**

YEL	End Leg
D	Back to Back Desk
D	Desk Height
30	Depth
118T	Bright White Paint
118T	Bright White Paint

Included With

End Legs for Back to Back Desks

- (2) Glides
- (4) Cradles
- Attachment Hardware

Options

End Legs for Back to Back Desks

Legs for Dual Sided Big Tables

Planning Guidelines and Specifications

Desk height end legs for dual big tables are 25" high inverted U-shape supports for use at the ends of big table configurations. Big table end legs include four cradles, support for the center beam and two levelers.

Cradles are V-shaped connectors with clamps that secure the rails over the leg and fasten the legs and rails to the top.

Intermediate legs for big tables are 25" high and are shared between adjacent tops. Big table intermediate legs include four cradles, support for the center beam, and two levelers.

Big table end legs and intermediate legs are always 50 1/2" deep, for 24", 27" or 30" top depths. They are inset 1 1/2" from front edge of 24"D tops, 4 1/2" from front edge of 27"D tops and 7 1/2" from front of 30"D tops. End legs and intermediate legs for 18" deep tops are 38 1/2" deep and inset 1 1/2" from the front edge of the top. End legs and intermediate legs for

36" deep tops are 62 1/2" deep, so they are inset 7 1/2" from front edge of top. End legs can be positioned up to 6" in from the ends of a big table and intermediate legs must be mounted directly under the joint of two tops.

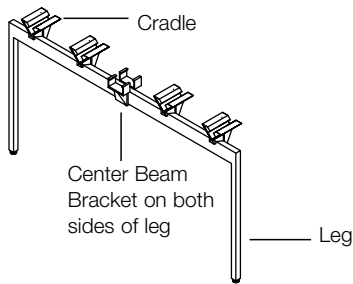
Inset intermediate legs for big tables are 25" high and are shared between adjacent tops. They offer more knee space than standard intermediate legs. Big table inset intermediate legs include four cradles, support for the center beam, and two levelers. Inset intermediate leg overall depth is 35 1/2", for 24", 27" or 30" top depths. They are recessed 9" from front edge of 24"D tops, 12" from front edge of 27"D tops, and 15" from front of 30"D tops. Inset intermediate legs for 36" deep tops are 47 1/2" deep, so they are recessed 15" from front edge of top. Inset intermediate legs are not available for 18" deep big tables.

When big tables are specified with 36" deep tops 54" or wider, a mid span support for center beam must be specified.

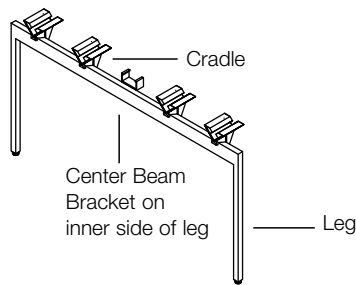
Desk height end legs, intermediate legs and inset intermediate legs 25" high support a worksurface height of 28 1/2". Adjustable height end legs, intermediate legs and inset intermediate legs 25"H support worksurface height from 28 1/2" - 31 1/2".

Deep inset intermediate legs are 25" high and are shared between adjacent tops to offer the most knee space. Deep inset intermediate legs are 23 1/2" deep, and are recessed 15" from front edge of 24"D tops, 18" from front edge of 27"D tops, and 21" from front edge of 30"D tops. Deep inset intermediate legs plan up to two in a row to support 66" - 84" wide tops or up to three in a row to support 48" - 60" wide tops without requiring an end leg, intermediate leg or inset intermediate leg for additional support.

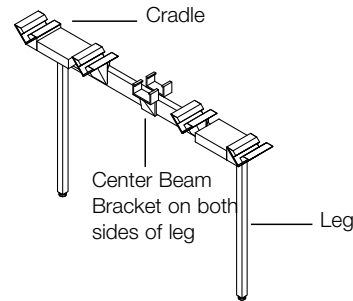
Desk and Table Support



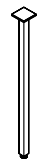
Desk Height Big Table Intermediate Leg



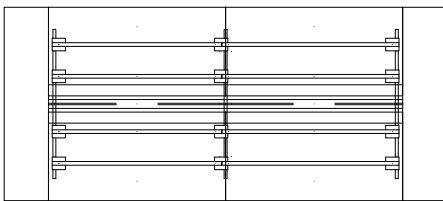
Desk Height Big Table End Leg



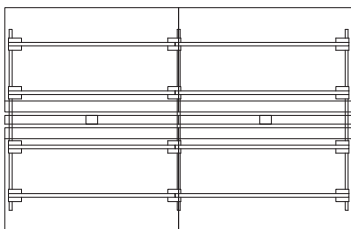
Desk Height Big Table Inset Intermediate Leg



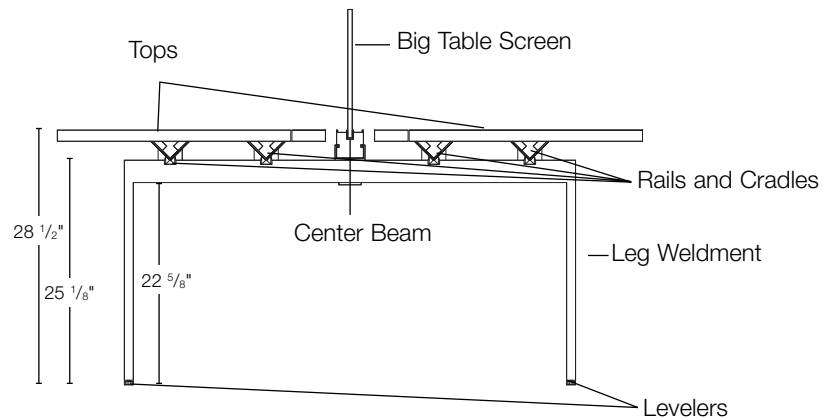
Desk Height Mid Span Support for Center Beam



Plan View of Big Table with Intermediate Leg



Plan View of Big Table with Mid Span Support for Center Beam



Dual Sided Desk Height Big Table End Elevation

Legs for Dual Sided Big Tables

Planning Guidelines and Specifications

Antenna dual big tables can be planned in 120 degree Antenna tops, deep inset intermediate legs, standard big table end legs, rails, center beams and power components.

When planning with 120 degree tops, a deep inset intermediate leg must be specified. The vertical legs are shifted to allow for ample kneespace. The top of the deep inset intermediate leg is the same as the big table inset intermediate leg, with two standard cradles for rails, two extended arm cradles and brackets for the center beam between them.

Big table 120 degree planning uses the same components and capabilities as standard straight big table applications: linked modular power components, cable baskets and wire management, center beam mounted

screens, storage and monitor arms. Pedestals must be specified as mobile or freestanding with ballast for 120 degree applications.

Desk height deep inset intermediate legs 25" high support a worksurface height of 28 1/2". Adjustable height deep inset intermediate legs 25" H support worksurface height from 28 1/2" - 31 1/2".

Construction

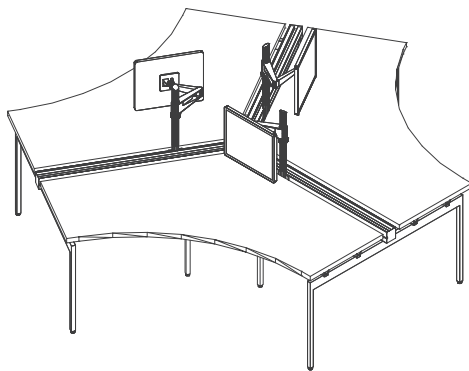
Big table desk height end legs, intermediate legs inset intermediate legs and deep inset intermediate legs are 25" high steel weldments with 1" square legs and a 2 1/2" horizontal rail. Legs include 2 1/2" levelers with 3/8" stems and continuous 1 1/2" adjustment range.

Adjustable dual big table leg weldments are 25" high including 5" levelers with 5/8" stems and 3" continuous adjustment range.

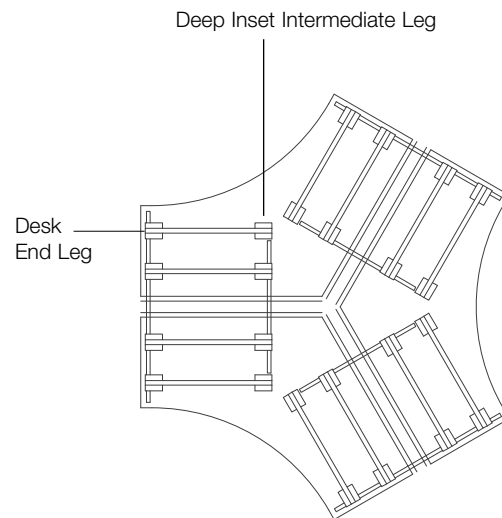
Cradles and clamps are cast aluminum with countersunk fasteners into legs, mating parts and tops.

Specification Options

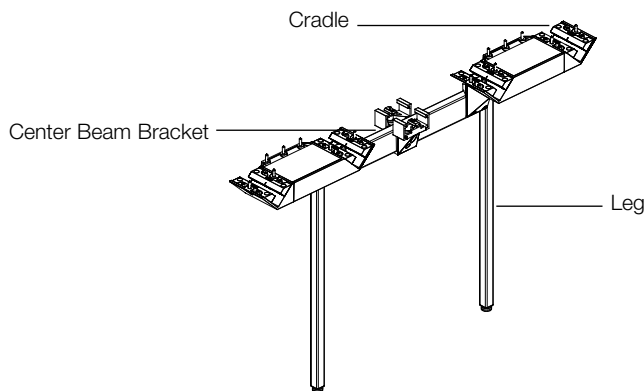
Big table end legs, intermediate legs, inset intermediate legs and deep inset intermediate legs can be specified in any Knoll Core, Clear, Dark Red or Slate Blue paint finish. Specify cradle finish separately in any Knoll Core, Clear, Dark Red, or Slate Blue paint finish.



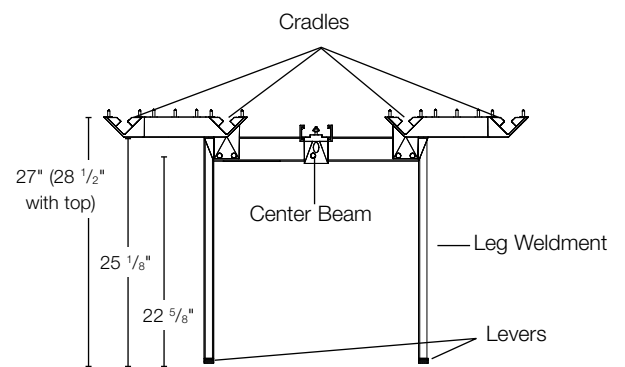
Desk Height 120 Degree Triad



Plan View of 120 Degree Triad



Desk Height Deep Inset Intermediate Leg

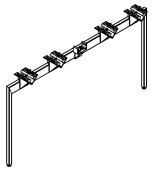


Deep Inset Intermediate Leg

Legs for Dual Sided Big Tables

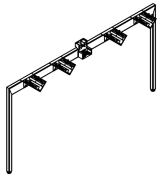
Desk Height

description	type	w	d	h	pattern no.	list
Desk Height End Leg for Dual Big Tables	For 18"D Dual Sided Big Tables	1"	38½"	27"	YELDD38	\$566.
	For 24", 27" or 30"D Dual Sided Big Tables	1"	50½"	27"	YELDD50	618.
	For 36"D Dual Sided Big Table	1"	62½"	27"	YELDD62	633.

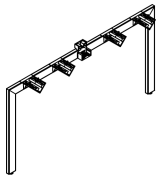


(YELDD50 shown)

Desk Height Table Desk End Leg for Dual Big Tables	For 24"D Dual Sided Big Tables	1"	53"	27"	YELSDD53	1,056.
	For 27"D Dual Sided Big Tables	1"	59"	27"	YELSDD59	1,071.
	For 30"D Dual Sided Big Tables	1"	65"	27"	YELSDD65	1,087.



Desk Height Wide End Leg for Dual Big Tables	For 24"D Dual Sided Big Tables	1"	53"	27"	YELWDD53	1,071.
	For 27"D Dual Sided Big Tables	1"	59"	27"	YELWDD59	1,087.
	For 30"D Dual Sided Big Tables	1"	65"	27"	YELWDD65	1,103.



Ordering Information

Legs for Dual Big Tables

1. Pattern Number
2. Leg Paint Finish
3. Cradle Paint Finish

Order Code

Legs for Dual Big Tables

Example: **YELDD50, 118T, 118T**

YEL	End Leg
D	Dual Big Table
D	Desk Height
50	Depth
118T	Bright White Paint
118T	Bright White Paint

Included With

Legs for Dual Big Tables
 (2) Glides
 (4) Cradles
 Center Beam Support Brackets
 Attachment Hardware

Mid Span Support Leg
 Attachment Hardware
 Glide

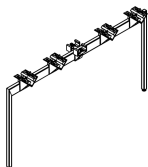
Options

Legs for Dual Big Tables

Legs for Dual Sided Big Tables

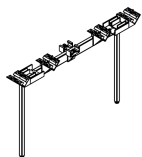
Desk Height

description	type	w	d	h	pattern no.	list
Desk Height Intermediate Leg for Dual Big Tables	For 18"D Dual Sided Big Tables	1"	38 1/2"	27"	YILDD38	\$622.
	For 24", 27" or 30"D Dual Sided Big Tables	1"	50 1/2"	27"	YILDD50	685.
	For 36"D Dual Sided Big Tables	1"	62 1/2"	27"	YILDD62	691.



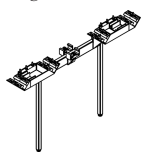
(YILDD50 shown)

Desk Height Inset Intermediate Leg for Dual Big Tables	For 24", 27" or 30"D Dual Sided Big Tables	1"	35 1/2"	27"	YILDD35	751.
	For 36"D Dual Sided Big Tables	1"	47 1/2"	27"	YILDD48	784.



(YILDD35 shown)

Desk Height Deep Inset Intermediate Leg for Dual Big Tables	For 24", 27" or 30"D Dual Sided Big Tables	1"	23 1/2"	27"	YILDD24	788.
---	--	----	---------	-----	----------------	------



Ordering Information

Legs for Dual Big Tables

1. Pattern Number
2. Leg Paint Finish
3. Cradle Paint Finish

Order Code

Legs for Dual Big Tables

Example: **YELDD50, 118T, 118T**

YEL	End Leg
D	Dual Big Table
D	Desk Height
50	Depth
118T	Bright White Paint
118T	Bright White Paint

Included With

Legs for Dual Big Tables
 (2) Glides
 (4) Cradles
 Center Beam Support Brackets
 Attachment Hardware

Mid Span Support Leg
 Attachment Hardware
 Glide

Options

Legs for Dual Big Tables

Legs for Dual Sided Big Tables

Desk Height

description	type	w	d	h	pattern no.	list
Desk Height Mid Span Support Leg for Center Beam	For 36"D Dual and Single Sided Big Tables wider than 54"W	1"	1"	25"	YILDD1	\$107.



Ordering Information

Legs for Dual Big Tables

1. Pattern Number
2. Leg Paint Finish
3. Cradle Paint Finish

Order Code

Legs for Dual Big Tables

Example: **YELDD50, 118T, 118T**

YEL	End Leg
D	Dual Big Table
D	Desk Height
50	Depth
118T	Bright White Paint
118T	Bright White Paint

Included With

Legs for Dual Big Tables
 (2) Glides
 (4) Cradles
 Center Beam Support Brackets
 Attachment Hardware
Mid Span Support Leg
 Attachment Hardware
 Glide

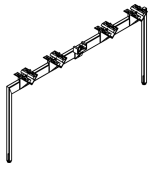
Options

Legs for Dual Big Tables

Legs for Dual Sided Big Tables

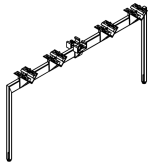
Adjustable Height

description	type	w	d	h	pattern no.	list
Adjustable Height End Leg for Dual Big Tables	For 18"D Dual Sided Big Tables	1"	38 1/2"	27" - 30"	YEL2DA38	\$607.
	For 24", 27" or 30"D Dual Sided Big Tables	1"	50 1/2"	27" - 30"	YEL2DA50	657.
	For 36"D Dual Sided Big Tables	1"	62 1/2"	27" - 30"	YEL2DA62	674.



(YELDA50 shown)

Adjustable Height Intermediate Leg for Dual Big Tables	For 18"D Dual Sided Big Tables	1"	38 1/2"	27" - 30"	YIL2DA38	660.
	For 24", 27" or 30"D Dual Sided Big Tables	1"	50 1/2"	27" - 30"	YIL2DA50	725.
	For 36"D Dual Sided Big Tables	1"	62 1/2"	27" - 30"	YIL2DA62	729.



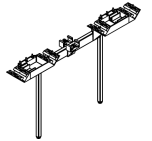
(YILDA50 shown)

Adjustable Height Inset Intermediate Leg for Dual Big Tables	For 24", 27" or 30"D Dual Sided Big Tables	1"	35 1/2"	27" - 30"	YIL2DA35	788.
	For 36"D Dual Sided Big Table	1"	47 1/2"	27" - 30"	YIL2DA48	825.



(YILDA35 shown)

Adjustable Height Deep Inset Intermediate Leg for Dual Big Tables	For 24", 27" or 30"D Dual Sided Big Table	1"	23 1/2"	27"	YIL2DA24	828.
---	---	----	---------	-----	-----------------	------



Ordering Information

Legs for Dual Big Tables

1. Pattern Number
2. Leg Paint Finish
3. Cradle Paint Finish

Order Code

Legs for Dual Big Tables

Example: **YEL2DA50, 118T, 118T**

YEL2	End Leg
D	Dual Big Table
A	Adjustable Height
50	Depth
118T	Bright White Paint
118T	Bright White Paint

Included With

Legs for Dual Big Tables
 (2) Glides
 (4) Cradles
 Center Beam Support Brackets
 Attachment Hardware
Mid Span Support Leg
 Attachment Hardware
 Glide

Options

Legs for Dual Big Tables

Legs for Dual Sided Big Tables

Adjustable Height

description	type	w	d	h	pattern no.	list
Adjustable Height Mid Span Support Leg for Center Beam	For 36"D Dual and Single Sided Big Tables wider than 54"	1"	1"	25" - 30"	YIL2DA1	\$128.



Ordering Information

Legs for Dual Big Tables

1. Pattern Number
2. Leg Paint Finish
3. Cradle Paint Finish

Order Code

Legs for Dual Big Tables

Example: **YEL2DA50, 118T, 118T**

YEL2	End Leg
D	Dual Big Table
A	Adjustable Height
50	Depth
118T	Bright White Paint
118T	Bright White Paint

Included With

Legs for Dual Big Tables
 (2) Glides
 (4) Cradles
 Center Beam Support Brackets
 Attachment Hardware

Mid Span Support Leg
 Attachment Hardware
 Glide

Options

Legs for Dual Big Tables

Legs for Standing Height Dual Sided Big Tables

Planning Guidelines and Specifications

Standing height end legs for 36" high dual big tables are 33" high inverted U-shape supports for use at the ends of big table configurations of four or more positions. Standing height big tables with tops greater than 18" deep must have at least one inset intermediate leg with support brace for stability. Big table end legs include four cradles, support bracket for the center beam and two levelers. Cradles are V-shaped connectors with clamps that secure the rails over the leg and fasten the legs to the tops.

End legs for 18"D standing height big tables are 38 1/2" deep, inset 1 1/2" from front edges of tops. End legs for 24", 27" or 30" deep big tables are always 50 1/2" deep, inset 1 1/2" from front edges of 24" deep tops, 4 1/2" from front edges of 27" deep tops, and 7 1/2" from front edge of 30" deep tops.

Standing height intermediate legs for 36" high big tables are 33" high inverted U-shape supports shared between adjacent tops in

big tables with four or more positions. Big table intermediate legs include four cradles, two support brackets for center beams, and two levelers.

Intermediate legs for 18"D standing height big tables are 38 1/2" deep. Intermediate legs for 24", 27" or 30" deep big tables with tops 48"-54" wide can be same dimension as 50 1/2" deep end legs, or inset intermediate legs 35 1/2" deep. Inset intermediate legs with diagonal braces are required for 24" or deeper big tables with four or more positions of tops greater than 54" wide. Inset intermediate legs are inset 9" from front edges of 24" deep tops, 12" from front edges of 27" deep tops, and 15" from front edge of 30" deep tops. Inset intermediate legs are preconfigured with inserts for diagonal brace connection near each leveler.

Diagonal brace kit, which ensures the stability of standing height tables with tops up to 84" wide, includes a pair of V-shape chrome steel tubes connecting from the

base of each leg to the underside of the center beam. Standing height intermediate leg brace kit must be specified separately.

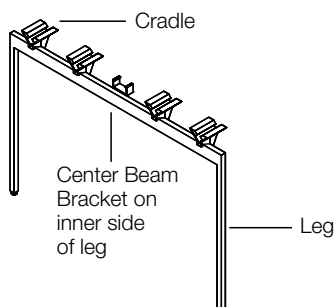
Inset intermediate legs are not available for 18"D big tables, and no standing height legs are available for 36"D tops.

Construction

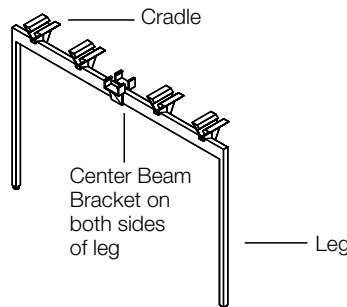
Standing height big table end legs and intermediate legs are steel weldments with 1" square legs and a 1" x 2 1/2" horizontal rail, reinforced internally. Legs include 2 1/2" levelers with 3/8" stems and continuous 1 1/2" adjustment range. Cradles and clamps are cast aluminum with countersunk fasteners into legs, mating parts and tops.

Specification Options

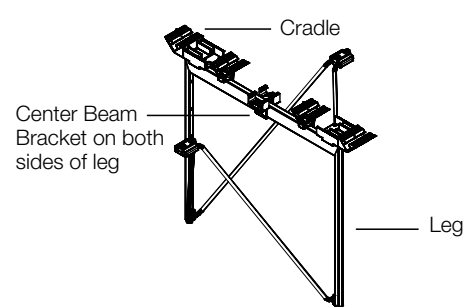
Standing height dual big table end legs, intermediate legs and inset intermediate legs can be specified in any Knoll Core, Clear, Dark Red or Slate Blue paint finish. Specify cradle finish separately. Brace kit is available in Knoll Core, Clear, Dark Red or Slate Blue paint finish and Chrome.



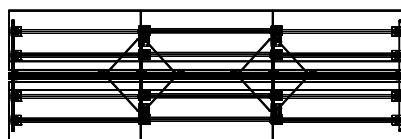
Standing Height Big Table End Leg



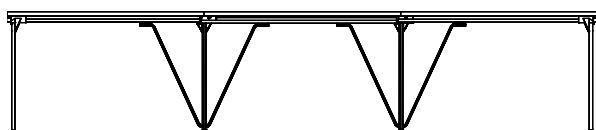
Standing Height Big Table Intermediate Leg



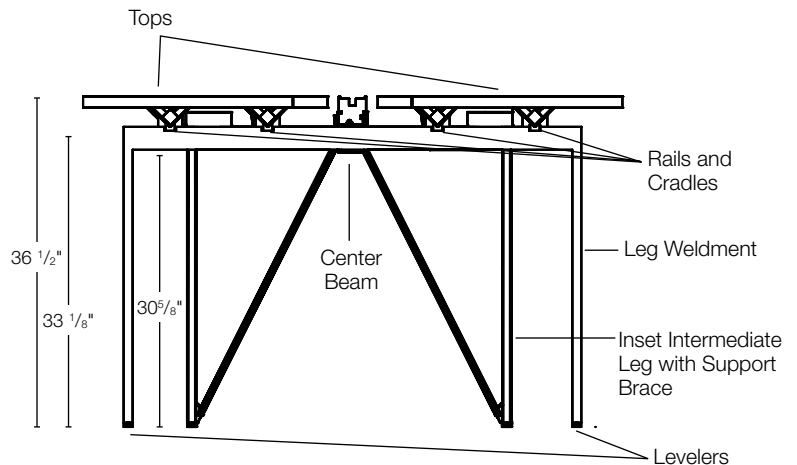
Standing Height Big Table Inset Intermediate Leg with Support Brace



Plan View of Big Table with Inset Intermediate Legs and Support Brace



Elevation View of Straight Big Table with Inset Intermediate Legs and Support Braces



Standing Height Dual Big Table End Elevations

Standing height end legs for big tables of only two positions with tops greater than 18" deep must have the end leg support brace for stability. Big table end legs for two position applications are drilled for the end leg support brace. Big table end legs include four cradles, support bracket for the center beam and two levelers. Cradles are V-shaped connectors with clamps that secure the rails over the leg and fasten the legs to the tops.

End legs drilled for diagonal brace for 24", 27" or 30" deep big tables are always 50 1/2" deep, inset 1 1/2" from front edges of 24" deep tops, 4 1/2" from front edges of 27" deep tops, and 7 1/2" from front edge of 30" deep tops.

Diagonal brace kit, which ensures the stability of standing height tables with tops up to 84" wide, includes a pair of chrome steel tubes connecting from the base of each leg to the underside of the center beam. Standing height end leg brace kit must be specified separately.

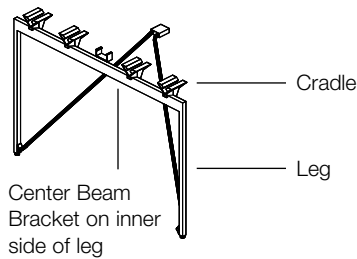
Tops of big tables with end leg support braces must be 54" or wider to accept a power harness.

Construction

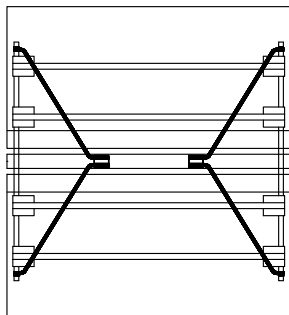
Standing height big table end legs and intermediate legs are steel weldments with 1" square legs and a 1" x 2 1/2" horizontal rail, reinforced internally. Legs include 2 1/2" levelers with 3/8" stems and continuous 1 1/2" adjustment range. Cradles and clamps are cast aluminum with countersunk fasteners into legs, mating parts and tops.

Specification Options

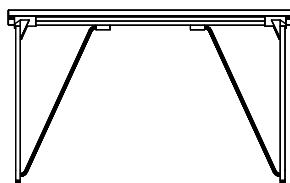
Standing height dual big table end legs, intermediate legs and inset intermediate legs can be specified in any Knoll Core, Clear, Dark Red or Slate Blue paint finish. Specify cradle finish separately. Brace kit is available in Knoll Core, Clear, Dark Red or Slate Blue paint finish and Chrome.



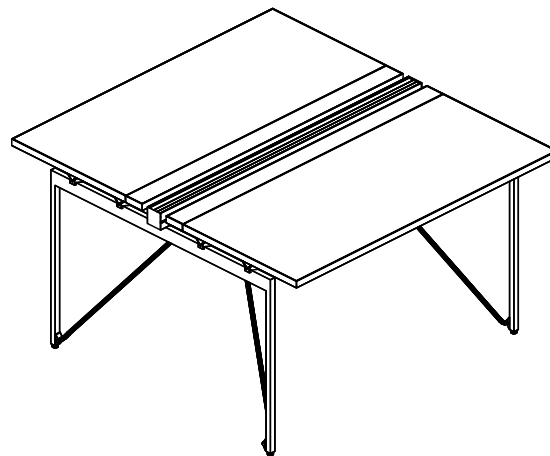
36"H Standing Height Big Table End Leg with Support Braces



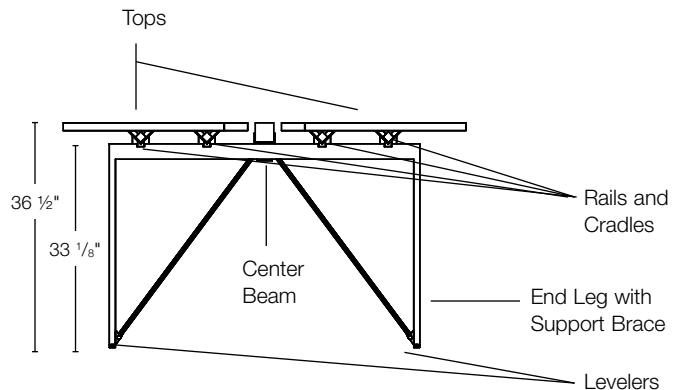
Plan View of Big Table with End Legs and Support Braces



Elevation View of Straight Big Table with End Legs and Support Braces



36"H Standing Height Two Position Dual Big Table with End Legs and Support Braces

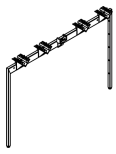


36" Standing Height Dual Big Table End Elevation

Legs for Standing Height Dual Sided Big Tables

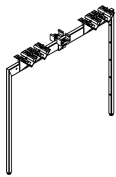
Standing Height 36"

description	type	w	d	h	pattern no.	list
36" Standing Height End Leg for Dual Big Tables	For 18"D Dual Big Tables	1"	38 1/2"	35"	YELDH38	\$903.
	For 24", 27" or 30"D Dual Big Tables	1"	50 1/2"	35"	YELDH50	937.



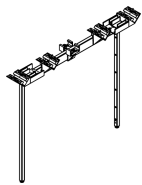
(YELDH50 shown)

36" Standing Height Intermediate Leg for Dual Big Tables	For 18"D Dual Big Tables	1"	38 1/2"	35"	YILDH38	977.
	For 24", 27" or 30"D Dual Big Tables	1"	50 1/2"	35"	YILDH50	1,009.



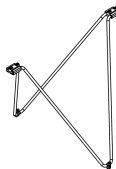
(YILDH38 shown)

36" Standing Height Inset Intermediate Leg for Dual Big Tables, Drilled for Diagonal Brace	For 24", 27" or 30"D Dual Big Tables	1"	35 1/2"	35"	YILDH35	1,165.
--	--------------------------------------	----	---------	-----	----------------	--------



(YILDH35 shown)

Support brace kit for standing height inset intermediate leg	For 24", 27" or 30"D Dual Big Tables	1"	20"	35"	YILDHB	425.
--	--------------------------------------	----	-----	-----	---------------	------



Ordering Information

Legs for Dual Big Tables

1. Pattern Number
2. Leg Paint Finish
3. Cradle Paint Finish

Order Code

Legs for Dual Big Tables

Example: **YELDH50, 118T, 118T**

YEL	End Leg
D	Dual Big Table
H	Standing Height
50	Depth
118T	Bright White Paint
118T	Bright White Paint

Included With

Legs for Dual Big Tables
 (2) Glides
 (4) Cradles
 Center Beam Support Brackets
 Attachment Hardware
Mid Span Support Leg
 Attachment Hardware
 Glide

Options

Legs for Dual Big Tables

All core painted finishes

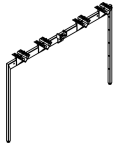
Support Brace

All core painted finishes and Chrome.

Legs for Standing Height Dual Sided Big Tables

Standing Height 36"

description	type	w	d	h	pattern no.	list
36" Standing Height End Leg for Dual Big Tables, Drilled for Diagonal Brace	For 24", 27" or 30"D Dual Big Tables	1"	50 1/2"	35"	YELDH50B	\$996.



(YELDH50 shown)

36" Support brace kit for standing height End Leg	For 24", 27" or 30"D Dual Big Tables	1"	20"	35"	YELDHB	267.
---	--------------------------------------	----	-----	-----	---------------	------



Ordering Information

Legs for Dual Big Tables

1. Pattern Number
2. Leg Paint Finish
3. Cradle Paint Finish

Order Code

Legs for Dual Big Tables

Example: **YELDH50, 118T, 118T**

YEL	End Leg
D	Dual Big Table
H	Standing Height
50	Depth
118T	Bright White Paint
118T	Bright White Paint

Included With

Legs for Dual Big Tables

- (2) Glides
- (4) Cradles
- Center Beam Support Brackets
- Attachment Hardware

Mid Span Support Leg

- Attachment Hardware
- Glide

Options

Legs for Dual Big Tables

All core painted finishes

Support Brace

All core painted finishes and Chrome.

Legs for Standing Height Dual Sided Big Tables

Planning Guidelines and Specifications

Standing height end legs for 42" high dual big tables are 39" high inverted U-shape supports for use at the ends of big table configurations. 42" high standing height big tables must have at least one inset intermediate leg with support brace for stability. Big table end legs include four cradles, support bracket for center beam and two levelers. Cradles are V-shaped connectors with clamps that secure the rails over the leg and fasten the legs to the tops.

End legs for 24", 27" or 30" deep big tables are always 50 1/2" deep, inset 1 1/2" from front edges of 24" deep tops, 4 1/2" from front edges of 27" deep tops, and 7 1/2" from front edge of 30" deep tops.

Standing height inset intermediate legs for 42" high big tables are 39" high inverted U-shape supports shared between adjacent tops.

Big table inset intermediate legs include four cradles, two support brackets for center beams and two levelers.

Inset intermediate legs with diagonal brace are required for all 42" high standing height big tables. Inset intermediate legs are always 35 1/2" deep, inset 9" from front edges of 24" deep tops, 12" from front edge of 27" deep tops, and 15" from front edge of 30" deep tops. Inset intermediate legs are preconfigured with inserts for diagonal brace connection near each leveler.

Diagonal brace kit, which ensures the stability of standing height tables with tops up to 84" wide, includes a pair of V-shape chrome steel tubes connecting from the base of each leg to the underside of the center beam. Standing height intermediate leg brace kit must be specified separately.

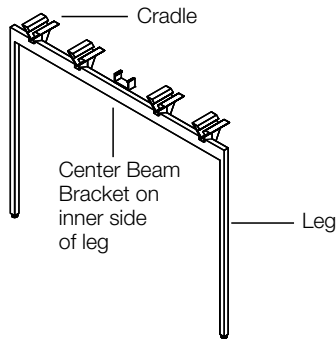
No standing height legs are available for 18" or 36" deep tops.

Construction

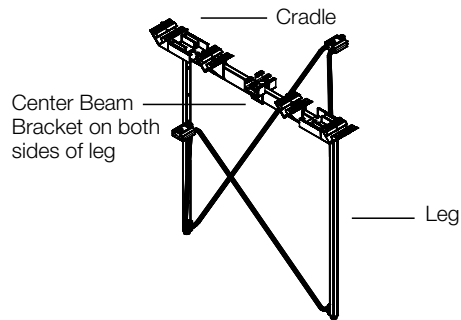
Standing height big table end legs and inset intermediate legs are steel weldments with 1" square legs and a 1" x 2 1/2" horizontal rail, reinforced internally. Legs include 2 1/2" levelers with 3/8" stems and continuous 1 1/2" adjustment range. Cradles and clamps are cast aluminum with countersunk fasteners into legs, mating parts and tops.

Specification Options

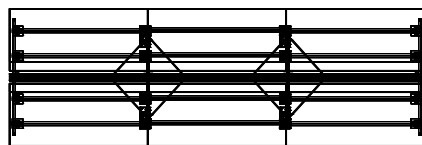
Standing height dual big table end legs and inset intermediate legs can be specified in any Knoll Core, Clear, Dark Red or Slate Blue paint finish. Specify cradle finish separately. Brace kit is available in Knoll Core, Clear, Dark Red or Slate Blue paint finish and Chrome.



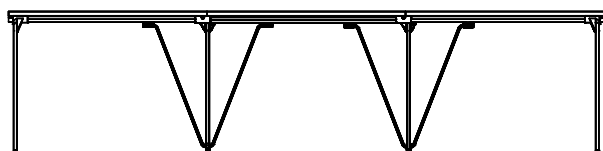
42"H Standing Height Big Table End Leg



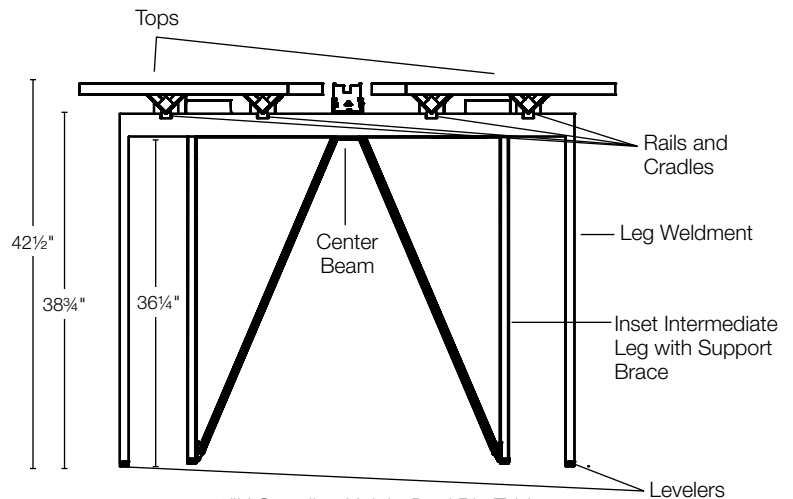
42"H Standing Height Big Table Inset Intermediate Leg with Support Brace



Plan View of Big Table with Inset Intermediate Legs and Support Brace



Elevation View of Straight Big Table with Inset Intermediate Legs and Support Braces



42"H Standing Height Dual Big Table End Elevation

Standing height end legs for big tables of only two positions must have the end leg support brace for stability. Big table end legs for two position applications are drilled for the end leg support brace. Big table end legs include four cradles, support bracket for the center beam and two levelers. Cradles are V-shaped connectors with clamps that secure the rails over the leg and fasten the legs to the tops.

End legs drilled for diagonal brace for 24", 27" or 30" deep big tables are always 50 1/2" deep, inset 1 1/2" from front edges of 24" deep tops, 4 1/2" from front edges of 27" deep tops, and 7 1/2" from front edge of 30" deep tops.

Diagonal brace kit, which ensures the stability of standing height tables with tops up to 84" wide, includes a pair of chrome steel tubes connecting from the base of each leg to the underside of the center beam. Standing height end leg brace kit must be specified separately.

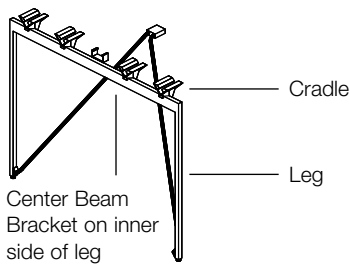
Tops of big tables with end leg support braces must be 54" or wider to accept a power harness.

Construction

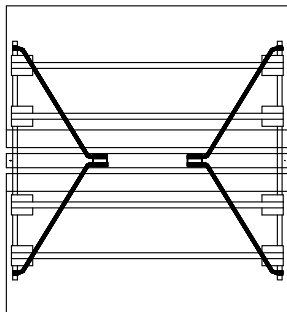
Standing height big table end legs and intermediate legs are steel weldments with 1" square legs and a 1" x 2 1/2" horizontal rail, reinforced internally. Legs include 2 1/2" levelers with 3/8" stems and continuous 1 1/2" adjustment range. Cradles and clamps are cast aluminum with countersunk fasteners into legs, mating parts and tops.

Specification Options

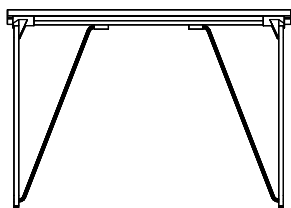
Standing height dual big table end legs, intermediate legs and inset intermediate legs can be specified in any Knoll Core, Clear, Dark Red or Slate Blue paint finish. Specify cradle finish separately. Brace kit is available in Knoll Core, Clear, Dark Red or Slate Blue paint finish and Chrome.



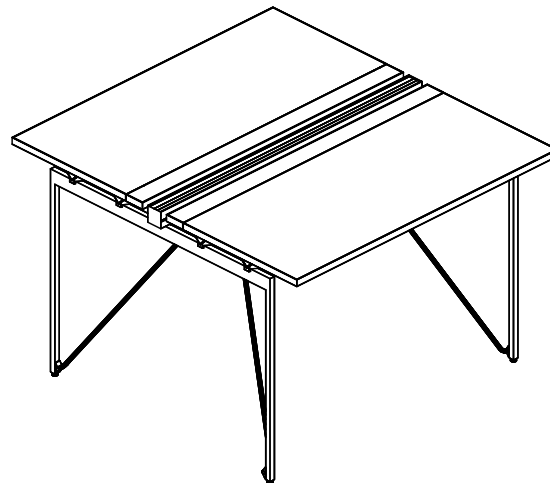
42" Standing Height Big Table End Leg with Support Braces



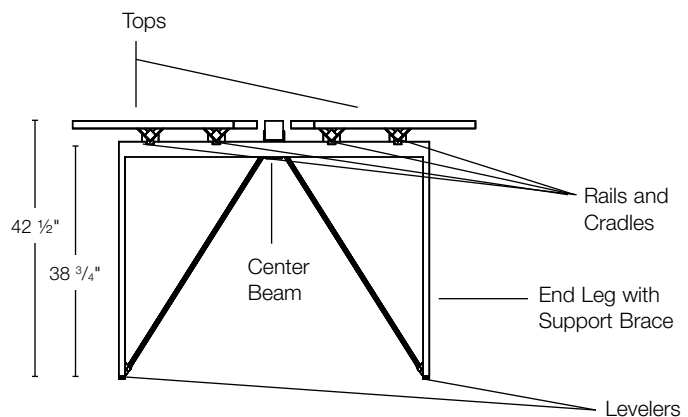
Plan View of Big Table with End Legs and Support Braces



Elevation View of Straight Big Table with End Legs and Support Braces



42" Standing Height Two Position Dual Big Table with End Legs and Support Braces

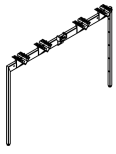


42" Standing Height Dual Big Table End Elevation

Legs for Standing Height Dual Sided Big Tables

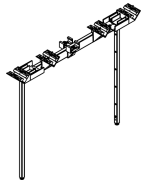
Standing Height 42"

description	type	w	d	h	pattern no.	list
42" Standing Height End Leg for Dual Big Tables	For 24", 27" or 30"D Dual Big Tables	1"	50 1/2"	41"	YELDT50	\$964.



(YELDT50 shown)

42" Standing Height Inset Intermediate Leg for Dual Big Tables, Drilled for Diagonal Brace	For 24", 27" or 30"D Dual Big Tables	1"	35 1/2"	41"	YILDT35	1,196.
--	--------------------------------------	----	---------	-----	----------------	--------



(YILDT35 shown)

42" Support brace kit for standing height inset intermediate leg	For 24", 27" or 30"D Dual Big Tables	1"	20"	41"	YILDTB	478.
--	--------------------------------------	----	-----	-----	---------------	------



Ordering Information

Legs for Dual Big Tables

1. Pattern Number
2. Leg Paint Finish
3. Cradle Paint Finish

Order Code

Legs for Dual Big Tables

Example: **YELDT50, 118T, 118T**

YEL	End Leg
D	Dual Big Table
T	Standing Height
50	Depth
118T	Bright White Paint
118T	Bright White Paint

Included With

Legs for Dual Big Tables

- (2) Glides
- (4) Cradles
- Center Beam Support Brackets
- Attachment Hardware

Mid Span Support Leg

- Attachment Hardware
- Glide

Options

Legs for Dual Big Tables

All core painted finishes

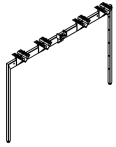
Support Brace

All core painted finishes and Chrome

Legs for Standing Height Dual Sided Big Tables

Standing Height 42"

description	type	w	d	h	pattern no.	list
42" Standing Height End Leg for Dual Big Tables, Drilled for Diagonal Brace	For 24", 27" or 30"D Dual Big Tables	1"	50 1/2"	41"	YELDT50B	\$1,026.



(YELDT50 shown)

42" Support brace kit for standing height End Leg	For 24", 27" or 30"D Dual Big Tables	1"	20"	41"	YELDTB	276.
---	--------------------------------------	----	-----	-----	---------------	------



Ordering Information

Legs for Dual Big Tables

1. Pattern Number
2. Leg Paint Finish
3. Cradle Paint Finish

Order Code

Legs for Dual Big Tables

Example: **YELDT50, 118T, 118T**

YEL	End Leg
D	Dual Big Table
T	Standing Height
50	Depth
118T	Bright White Paint
118T	Bright White Paint

Included With

Legs for Dual Big Tables

- (2) Glides
- (4) Cradles
- Center Beam Support Brackets
- Attachment Hardware

Mid Span Support Leg

- Attachment Hardware
- Glide

Options

Legs for Dual Big Tables

All core painted finishes

Support Brace

All core painted finishes and Chrome

Legs for Single Sided Big Tables

Planning Guidelines and Specifications

End legs for single sided big tables are 25" high inverted U-shape supports for use at the ends of single sided big table configurations. End legs include cradles, support bracket for the center beam and two levelers. Cradles are V-shape connectors with clamps that secure starter or extended rails to the leg and fasten the legs and rails to the top.

Intermediate legs for single sided big tables are shared between adjacent tops. Single sided intermediate legs include two cradles, two support brackets for center beams and two levelers.

Legs For Basic Single Sided Big Tables

End legs and intermediate legs for basic single sided big tables with 18" deep tops are 22" deep, set back 1 1/2" from the front edge.

End legs and intermediate legs for tables with tops that are 24", 27" or 30" deep are 28" deep, set back 1 1/2" from the front edge of 24" deep tops, 4 1/2" from the front of 27" deep tops, and 7 1/2" from the front of 30" deep tops. End legs and intermediate legs for basic big tables with 36" deep tops are 34" deep, and set back 7 1/2" from the front edge.

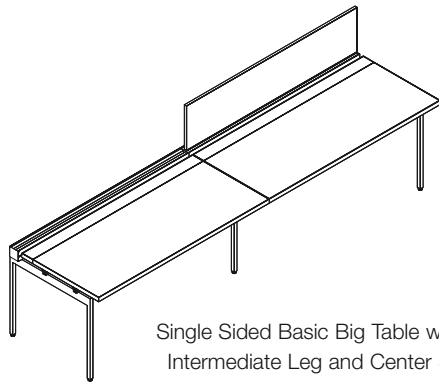
For big tables with tops deeper than 18", inset intermediate legs offer more kneespace than standard intermediate legs: inset intermediate legs 20" deep are recessed 9" from front edge

of 24" deep tops, 12" from front of 27" deep tops and 15" from front of 30" deep tops. Inset intermediate legs 26" deep are recessed 15" from front edge of 36" deep table tops.

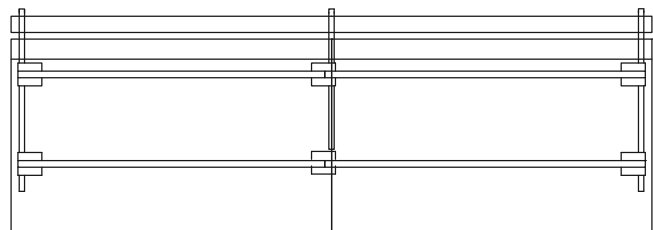
Overall depth of basic single sided big table is about 5 1/2" more than big table tops.

End legs can be positioned from 1 1/2" to 6" in from the end of a big table top. Intermediate legs or inset intermediate legs must be mounted directly under the joint of two tops.

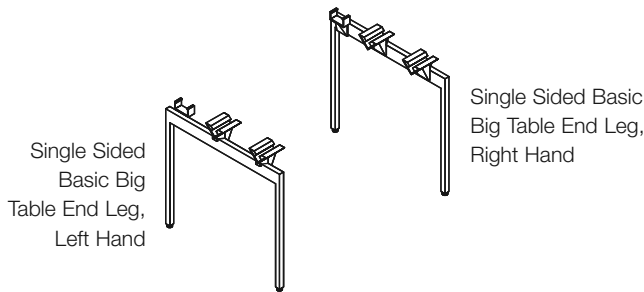
Note that stanchion mounted cabinets do not mount to center beam of basic single sided big tables. Specify the full back version of the single sided big table if stanchion mounted storage is required.



Single Sided Basic Big Table with Inset Intermediate Leg and Center Screen



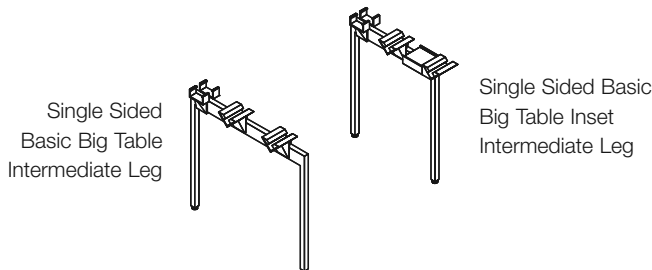
Plan View of Single Sided Basic Big Table



Single Sided Basic Big Table End Leg, Left Hand

Single Sided Basic Big Table End Leg, Right Hand

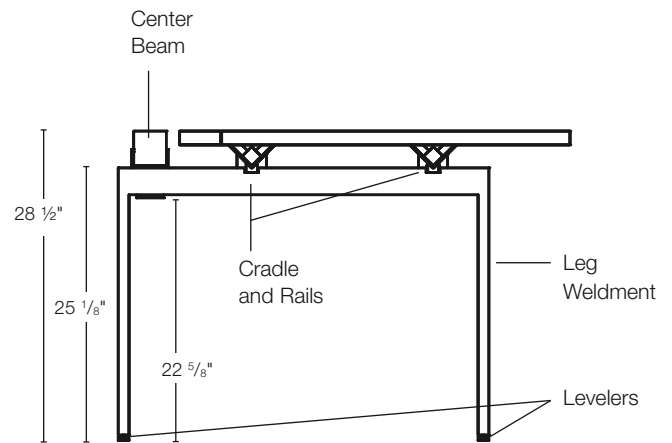
Center beam Bracket on Inner Side of End Leg



Single Sided Basic Big Table Inset Intermediate Leg

Single Sided Basic Big Table Inset Intermediate Leg

Center Beam Bracket on Both Sides of Intermediate Leg



Basic Single Sided Big Table End Elevation

Legs for Single Sided Big Tables

Planning Guidelines and Specifications

Legs For Full Back Single Sided Big Tables

End legs and intermediate legs for full back, single sided big tables with 18" deep tops are 28" deep, set back 1 1/2" from the front edge. End legs and intermediate legs for tables with tops that are 24", 27" or 30" deep are 34" deep, set back 1 1/2" from the front edge of 24" deep tops, 4 1/2" from the front of 27" deep tops, and 7 1/2" from the front of 30" deep tops. End legs and intermediate legs for basic big tables with 36" deep tops are 40" deep, and set back 7 1/2" from the front edge.

For big tables with tops deeper than 18", inset intermediate legs offer more kneespace than standard intermediate legs: inset intermediate legs 26 1/2" deep are recessed 9" from front edge of 24" deep tops, 12" from front of 27" deep tops and 15" from front of 30" deep tops. Inset intermediate legs 32 1/2" deep are recessed 15" from front edge of 36" deep tops.

Overall depth of full back single sided big tables is about 13" more than the big table tops.

End legs can be positioned from 1 1/2" to 6" in from the end of a big table top, or centered under the joint of a top and extension top. Intermediate legs or inset intermediate legs must be mounted directly under the joint of two tops.

Note that stanchion mounted cabinets mount on full back single sided big table center beam with storage stanchion supports, specified separately.

Construction

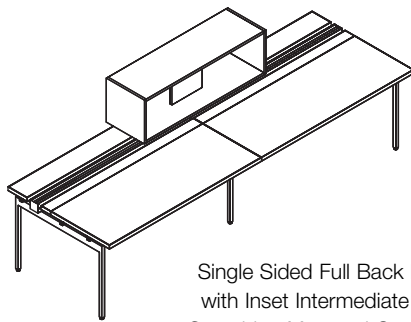
Big table end legs, intermediate legs and inset intermediate legs are steel weldments with 1" square legs and a 2 1/2" horizontal rail. Standard legs include 2 1/2" levelers with 3/8" stems and continuous 1 1/2" adjustment range for desk tops from 28 3/8" to 30" overall height. Adjustable legs include 5" levelers with 5/8" diameter stems and a continuous 3" adjustment range for desk tops from 28 1/2" - 31 1/2" overall height.

Cradles and clamps are cast aluminum with countersunk fasteners into legs, mating parts and tops.

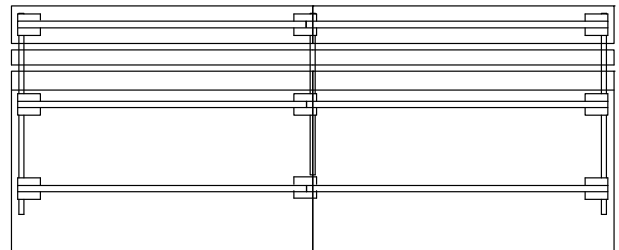
Specifications Options

Big table end legs, intermediate legs and inset intermediate legs can be specified in any Knoll Core, Clear, Dark Red or Slate Blue paint finish. Specify cradle finish separately in any Knoll Core, Clear, Dark Red or Slate Blue paint finish.

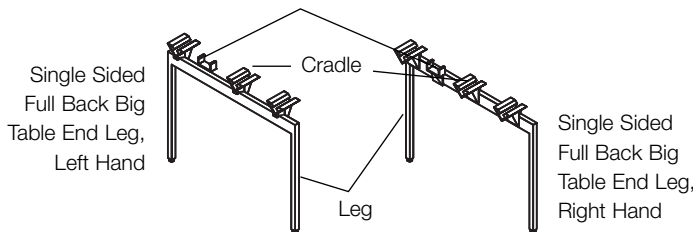
Desk and Table Support



Single Sided Full Back Big Table with Inset Intermediate Leg and Stanchion Mounted Open Cabinet



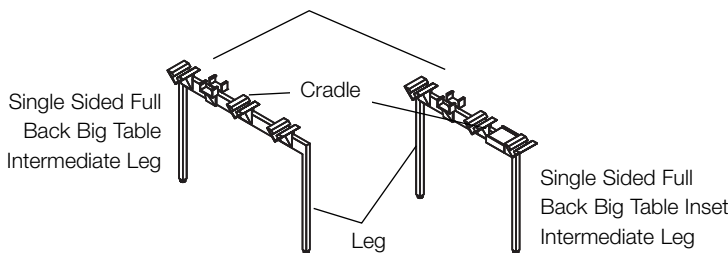
Plan View of Single Sided Full Back Big Table



Single Sided Full Back Big Table End Leg, Left Hand

Single Sided Full Back Big Table End Leg, Right Hand

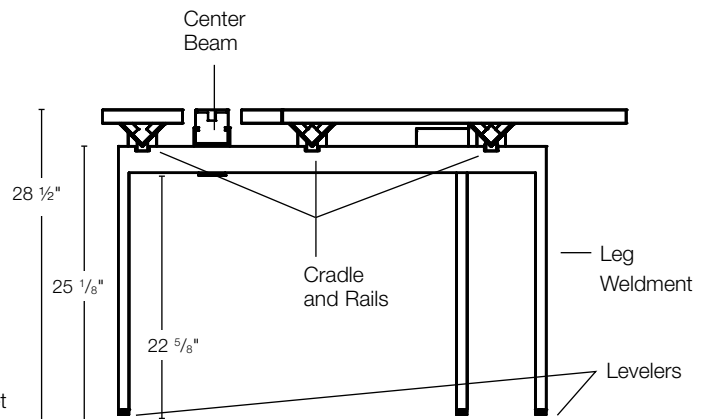
Center Beam Bracket on Inner Side of Leg



Single Sided Full Back Big Table Intermediate Leg

Single Sided Full Back Big Table Inset Intermediate Leg

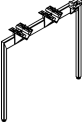
Center Beam Bracket on Both Sides of Leg

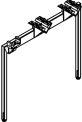


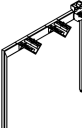
Full Back Single Sided Big Table End Elevation

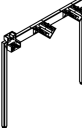
Legs for Single Sided Big Tables

Desk Height, Basic

description	type	w	d	h	pattern no.	list
 Desk Height End Legs for Single Sided Basic Big Tables (Left Shown)	Left support for 18"D single sided big table	1"	22"	27"	YEL2SSDB22L	\$417.
	Left support for 24", 27" or 30"D single sided big table	1"	28"	27"	YEL2SSDB28L	434.
	Left support for 36"D single sided big table	1"	34"	27"	YEL2SSDB34L	450.

 Desk Height End Legs for Single Sided Basic Big Tables (Right Shown)	Right support for 18"D single sided big table	1"	22"	27"	YEL2SSDB22R	417.
	Right support for 24", 27" or 30"D single sided big table	1"	28"	27"	YEL2SSDB28R	434.
	Right support for 36"D single sided big table	1"	34"	27"	YEL2SSDB34R	450.

 Desk Height Table Desk End Leg for Single Sided Basic Big Tables (Left Shown)	Left support for 24"D single sided big table	1"	29 1/4"	27"	YELSSDB30L	918.
	Left support for 27"D single sided big table	1"	32 1/4"	27"	YELSSDB33L	918.
	Left support for 30"D single sided big table	1"	35 1/4"	27"	YELSSDB36L	918.

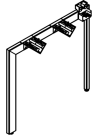
 Desk Height Table Desk End Leg for Single Sided Basic Big Tables (Right Shown)	Right support for 24"D single sided big table	1"	29 1/4"	27"	YELSSDB30R	918.
	Right support for 27"D single sided big table	1"	32 1/4"	27"	YELSSDB33R	918.
	Right support for 30"D single sided big table	1"	35 1/4"	27"	YELSSDB36R	918.

Ordering Information	Order Code	Included With	Options
Legs for Single Big Tables 1. Pattern Number 2. Leg Paint Finish 3. Cradle Paint Finish	Legs for Single Side Big Tables <i>Example:</i> YELSSDB22L, 118T, 118T YEL End Leg SS Single Sided Big Table D Desk Height B Basic 22 Depth L Left Support 118T Bright White Paint 118T Bright White Paint	Legs for Single Side Big Tables (2) Glides (4) Cradles Center Beam Support Brackets Attachment Hardware	Legs for Single Side Big Tables

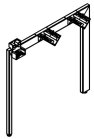
Legs for Single Sided Big Tables

Desk Height, Basic

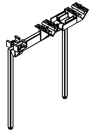
description	type	w	d	h	pattern no.	list
Desk Height Wide End Leg for Single Sided Basic Big Tables (Left Shown)	Left support for 24"D single sided big table	1"	29 1/4"	27"	YELWSSDB30L	\$929.
	Left support for 27"D single sided big table	1"	32 1/4"	27"	YELWSSDB33L	929.
	Left support for 30"D single sided big table	1"	35 1/4"	27"	YELWSSDB36L	929.



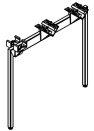
Desk Height Wide End Leg for Single Sided Basic Big Tables (Right Shown)	Right support for 24"D single sided big table	1"	29 1/4"	27"	YELWSSDB30R	929.
	Right support for 27"D single sided big table	1"	32 1/4"	27"	YELWSSDB33R	929.
	Right support for 30"D single sided big table	1"	35 1/4"	27"	YELWSSDB36R	929.



Desk Height Inset Intermediate Legs for Single Sided Basic Big Tables	For 24", 27" or 30"D single sided big table	1"	20"	27"	YIL2SSDB20	561.
	For 36"D single sided big table	1"	26"	27"	YIL2SSDB26	577.



Desk Height Intermediate Legs for Single Sided Basic Big Tables	For 18"D single sided big tables	1"	22"	27"	YIL2SSDB22	483.
	For 24", 27" or 30"D single sided big table	1"	28"	27"	YIL2SSDB28	501.
	For 36"D single sided big table	1"	34"	27"	YIL2SSDB34	517.

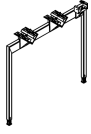


Ordering Information	Order Code	Included With	Options
Legs for Single Big Tables	Legs for Single Side Big Tables	Legs for Single Side Big Tables	Legs for Single Side Big Tables
1. Pattern Number	<i>Example:</i> YELSSDB22L, 118T, 118T	(2) Glides	
2. Leg Paint Finish	YEL End Leg	(4) Cradles	
3. Cradle Paint Finish	SS Single Sided Big Table	Center Beam Support Brackets	
	D Desk Height	Attachment Hardware	
	B Basic		
	22 Depth		
	L Left Support		
	118T Bright White Paint		
	118T Bright White Paint		

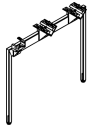
Legs for Single Sided Big Tables

Adjustable Height, Basic

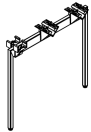
description	type	w	d	h	pattern no.	list
Adjustable Height End Legs for Single Sided Basic Big Tables (Left Shown)	Left support for 18"D single sided big table	1"	22"	27" - 30"	YEL3SSAB22L	\$452.
	Left support for 24", 27" or 30"D single sided big table	1"	28"	27" - 30"	YEL3SSAB28L	472.
	Left support for 36"D single sided big table	1"	34"	27" - 30"	YEL3SSAB34L	488.



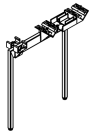
Adjustable Height End Legs for Single Sided Basic Big Tables (Right Shown)	Right support for 18"D single sided big table	1"	22"	27" - 30"	YEL3SSAB22R	452.
	Right support for 24", 27" or 30"D single sided big table	1"	28"	27" - 30"	YEL3SSAB28R	472.
	Right support for 36"D single sided big table	1"	34"	27" - 30"	YEL3SSAB34R	488.



Adjustable Height Intermediate Legs for Single Sided Basic Big Tables	For 18"D single sided big tables	1"	22"	27" - 30"	YIL3SSAB22	518.
	For 24", 27" or 30"D single sided big tables	1"	28"	27" - 30"	YIL3SSAB28	538.
	For 36"D single sided big tables	1"	34"	27" - 30"	YIL3SSAB34	554.



Adjustable Height Inset Intermediate Legs for Single Sided Basic Big Tables	For 24", 27" or 30"D single sided big tables	1"	20"	27" - 30"	YIL3SSAB20	597.
	For 36"D single sided big table	1"	26"	27" - 30"	YIL3SSAB26	615.



Ordering Information

Legs for Single Big Tables

1. Pattern Number
2. Leg Paint Finish
3. Cradle Paint Finish

Order Code

Legs for Single Side Big Tables

Example: **YEL3SSAB22L, 118T, 118T**

YEL3	End Leg
SS	Single Sided Big Table
A	Adjustable Height
B	Basic
22	Depth
L	Left Support
118T	Bright White Paint
118T	Bright White Paint

Included With

Legs for Single Side Big Tables

- (2) Glides
- (4) Cradles
- Center Beam Support Brackets
- Attachment Hardware

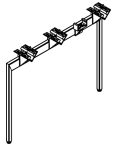
Options

Legs for Single Side Big Tables

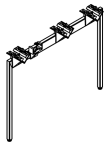
Legs for Single Sided Big Tables

Desk Height, Full Back

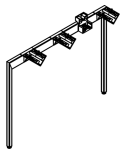
description	type	w	d	h	pattern no.	list
Desk Height End Legs for Single Sided Full Back Big Tables (Left Shown)	Left support for 18"D single sided big table	1"	28"	27"	YELSSDF28L	\$476.
	Left support for 24", 27" or 30"D single sided big table	1"	34"	27"	YELSSDF34L	490.
	Left support for 36"D single sided big table	1"	40"	27"	YELSSDF40L	513.



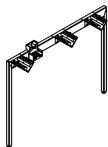
Desk Height End Legs for Single Sided Full Back Big Tables (Right Shown)	Right support for 18"D single sided big table	1"	28"	27"	YELSSDF28R	476.
	Right support for 24", 27" or 30"D single sided big table	1"	34"	27"	YELSSDF34R	490.
	Right support for 36"D single sided big table	1"	40"	27"	YELSSDF40R	513.



Desk Height Table Desk End Leg for Single Sided Full Back Big Tables (Left Shown)	Left support for 24"D single sided big table	1"	35 1/2"	27"	YELSSSDF36L	982.
	Left support for 27"D single sided big table	1"	38 1/2"	27"	YELSSSDF39L	982.
	Left support for 30"D single sided big table	1"	41 1/2"	27"	YELSSSDF42L	982.



Desk Height Table Desk End Leg for Single Sided Full Back Big Tables (Right Shown)	Right support for 24"D single sided big table	1"	35 1/2"	27"	YELSSSDF36R	982.
	Right support for 27"D single sided big table	1"	38 1/2"	27"	YELSSSDF39R	982.
	Right support for 30"D single sided big table	1"	41 1/2"	27"	YELSSSDF42R	982.



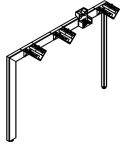
Desk and Table Support

Ordering Information	Order Code	Included With	Options
Legs for Single Big Tables	Legs for Single Side Big Tables	Legs for Single Side Big Tables	Legs for Single Side Big Tables
1. Pattern Number	<i>Example:</i> YELSSDF28L, 118T, 118T	(2) Glides	
2. Leg Paint Finish	YEL End Leg	(4) Cradles	
3. Cradle Paint Finish	SS Single Sided Big Table	Center Beam Support Brackets	
	D Desk Height	Attachment Hardware	
	F Full Performance		
	28 Depth		
	L Left Support		
	118T Bright White Paint		
	118T Bright White Paint		

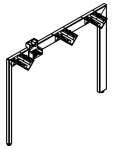
Legs for Single Sided Big Tables

Desk Height, Full Back

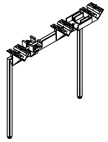
description	type	w	d	h	pattern no.	list
Desk Height Wide End Leg for Single Sided Full Back Big Tables (Left Shown)	Left support for 24"D single sided big table	1"	35 1/2"	27"	YELWSSDF36L	\$992.
	Left support for 27"D single sided big table	1"	38 1/2"	27"	YELWSSDF39L	992.
	Left support for 30"D single sided big table	1"	41 1/2"	27"	YELWSSDF42L	992.



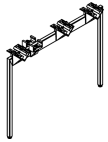
Desk Height Wide End Leg for Single Sided Full Back Big Tables (Right Shown)	Right support for 24"D single sided big table	1"	35 1/2"	27"	YELWSSDF36R	992.
	Right support for 27"D single sided big table	1"	38 1/2"	27"	YELWSSDF39R	992.
	Right support for 30"D single sided big table	1"	41 1/2"	27"	YELWSSDF42R	992.



Desk Height Inset Intermediate Legs for Single Sided Full Back Big Tables	For 24", 27" or 30"D single sided big table	1"	26 1/2"	27"	YILSSDF26	607.
	For 36"D single sided big table	1"	32 1/2"	27"	YILSSDF32	622.



Desk Height Intermediate Legs for Single Sided Full Back Big Tables	For 18"D single sided big tables	1"	28"	27"	YILSSDF28	532.
	For 24", 27" or 30"D single sided big table	1"	34"	27"	YILSSDF34	549.
	For 36"D single sided big table	1"	40"	27"	YILSSDF40	612.

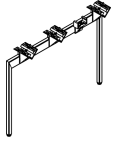


Ordering Information	Order Code	Included With	Options
Legs for Single Big Tables	Legs for Single Side Big Tables	Legs for Single Side Big Tables	Legs for Single Side Big Tables
1. Pattern Number	<i>Example:</i> YELSSDF28L, 118T, 118T	(2) Glides	
2. Leg Paint Finish	YEL End Leg	(4) Cradles	
3. Cradle Paint Finish	SS Single Sided Big Table	Center Beam Support Brackets	
	D Desk Height	Attachment Hardware	
	F Full Performance		
	28 Depth		
	L Left Support		
	118T Bright White Paint		
	118T Bright White Paint		

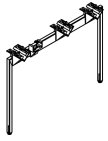
Legs for Single Sided Big Tables

Adjustable Height, Full Back

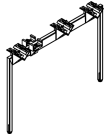
description	type	w	d	h	pattern no.	list
Adjustable Height End Legs for Single Sided Full Back Big Tables (Left Shown)	Left support for 18"D single sided big table	1"	28"	25 1/2" - 28 1/2"	YELSSAF28L	\$514.
	Left support for 24", 27" or 30"D single sided big table	1"	34"	25 1/2" - 28 1/2"	YELSSAF34L	529.
	Left support for 36"D single sided big table	1"	40"	25 1/2" - 28 1/2"	YELSSAF40L	553.



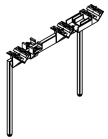
Adjustable Height End Legs for Single Sided Full Back Big Tables (Right Shown)	Right support for 18"D single sided big table	1"	28"	25 1/2" - 28 1/2"	YELSSAF28R	514.
	Right support for 24", 27" or 30"D single sided big table	1"	34"	25 1/2" - 28 1/2"	YELSSAF34R	529.
	Right support for 36"D single sided big table	1"	40"	25 1/2" - 28 1/2"	YELSSAF40R	553.



Adjustable Height Intermediate Legs for Single Sided Full Back Big Tables	For 18"D single sided big tables	1"	28"	25 1/2" - 28 1/2"	YILSSAF28	572.
	For 24", 27" or 30"D single sided big tables	1"	34"	25 1/2" - 28 1/2"	YILSSAF34	589.
	For 36"D single sided big tables	1"	40"	25 1/2" - 28 1/2"	YILSSAF40	612.



Adjustable Height Inset Intermediate Legs for Single Sided Full Back Big Tables	For 24", 27" or 30"D single sided big tables	1"	26 1/2"	25 1/2" - 28 1/2"	YILSSAF26	647.
	For 36"D single sided big table	1"	32 1/2"	25 1/2" - 28 1/2"	YILSSAF32	660.



Ordering Information	Order Code	Included With	Options
Legs for Single Big Tables	Legs for Single Side Big Tables	Legs for Single Side Big Tables	Legs for Single Side Big Tables
1. Pattern Number	<i>Example:</i> YELSSAF28L, 118T, 118T	(2) Glides	
2. Leg Paint Finish	YEL End Leg	(4) Cradles	
3. Cradle Paint Finish	SS Single Sided Big Table	Center Beam Support Brackets	
	A Adjustable Height	Attachment Hardware	
	F Full Performance		
	28 Depth		
	L Left Support		
	118T Bright White Paint		
	118T Bright White Paint		

Modesty Panels for Desks or Returns

Planning Guidelines and Specifications

Modesty panels enable full width, recessed or flush enclosure under Antenna desks, returns or bridge top applications and can also be planned for use with end panels. Modesty panels are suspended from the desktop and available in half height or full height versions. In both heights, modesty panels can be specified with or without a 1 1/4" high cord passage at the top to enable wire management or clamp-on accessories like Sapper monitor arms or desktop outlet center.

Half height modesty panels for desks start 10 1/2" above the floor, aligning with suspended files. Both modesty heights typically correspond in width to desk tops and are available in 6" wide increments from 36" to 84". Modesty panels include two or three brackets to the underside of a desktop and offset brackets to secure the inside of the panel to the back of Antenna desk and legs. Offset brackets define a 3/4" space between the inside of the panel and the back edge of the desk end legs.

When planning a desk with a modesty panel that is flush with the front edge of the top, specify standard depth desk end legs, actual depth is 3" less than the top depth. Modesty panels without a cord passage that are flush with the front edge of a desk top should not be planned in combination with Overlay tops.

When planning a modesty panel that is recessed 3" or 6" from the front edge of the top, specify legs that correspond to a top that is 3" or 6" less deep, actual leg depth is 6" or 9" less than the top depth. For example, a desk top 30" deep can be specified with 24" or 21" deep standard desk end leg to enable the modesty panel to be recessed 3" or 6" from the front edge of the top.

Modesty panels are not designed to be used in combination with table desk end legs.

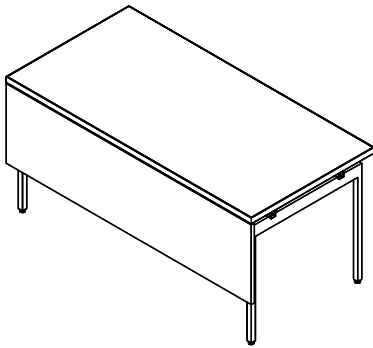
Modesty panel brackets do not deface the legs and may be added or removed without disassembling the desk.

Construction

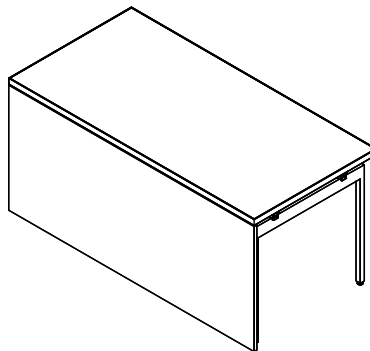
Modesty panels are 3/4" thick veneer, laminate or painted wood and include steel and cast aluminum brackets.

Specification Options

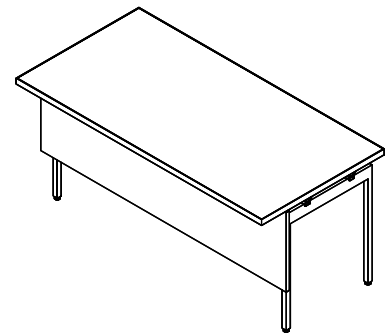
Specify modesty panels in any Knoll Core paint finish, solid laminate, patterned and woodgrain laminate up to 60"W, or veneer. Specify bracket color in any Knoll Core paint finish.



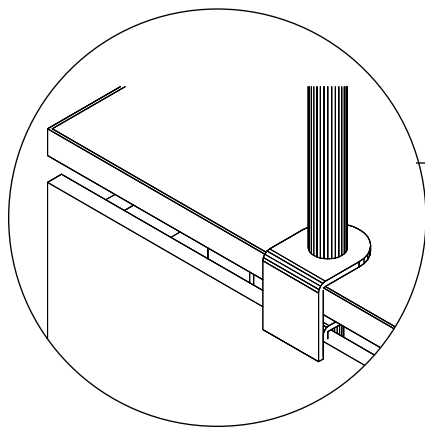
Desk with Partial Height Modesty Panel



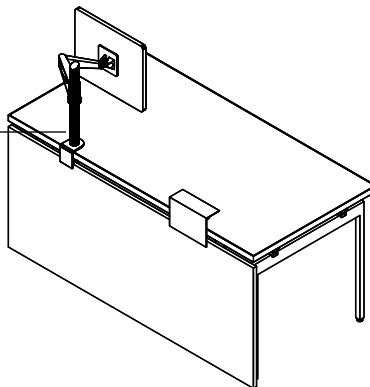
Desk with Full Height Modesty Panel



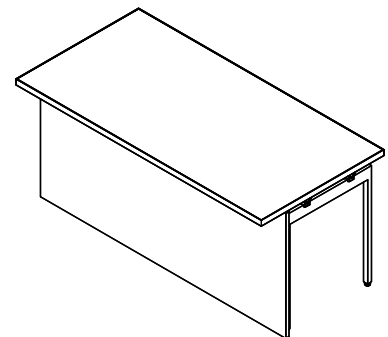
Desk with Recessed Partial Height Modesty Panel



Sapper Monitor Arm Desk Clamp with Modesty Panel Cord Passage



Desk with Full Height Modesty Panel with Cord Passage

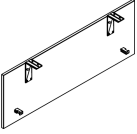


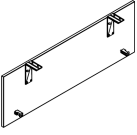
Desk with Recessed Full Height Modesty Panel

Modesty Panels for Desks or Returns

Half Height

Painted, Laminate or Veneer

description	type	w	d	h	pattern no.	Painted (P)	Laminate (L)	V1 (V)	V2 (V)	V3 (V)
Modesty Panels for Desks or Returns, Half Height 	For 36" Wide Tops	36"	3/4"	16 7/8"	YMP1736()	\$287.	\$313.	\$685.	\$787.	\$1,025.
	For 42" Wide Tops	42"	3/4"	16 7/8"	YMP1742()	294.	320.	707.	813.	1,058.
	For 48" Wide Tops	48"	3/4"	16 7/8"	YMP1748()	300.	344.	733.	846.	1,099.
	For 54" Wide Tops	54"	3/4"	16 7/8"	YMP1754()	307.	352.	762.	876.	1,139.
	For 60" Wide Tops	60"	3/4"	16 7/8"	YMP1760()	361.	449.	818.	939.	1,220.
	For 66" Wide Tops	66"	3/4"	16 7/8"	YMP1766()	406.	495.	838.	964.	1,255.
	For 72" Wide Tops	72"	3/4"	16 7/8"	YMP1772()	412.	502.	863.	991.	1,289.
	For 78" Wide Tops	78"	3/4"	16 7/8"	YMP1778()	419.	508.	894.	1,030.	1,337.
	For 84" Wide Tops	84"	3/4"	16 7/8"	YMP1784()	424.	514.	916.	1,055.	1,370.

Modesty Panels for Desks or Returns, Half Height with Cord Passage 	For 36" Wide Tops	36"	3/4"	15 7/8"	YMP1636()	287.	313.	685.	787.	1,025.
	For 42" Wide Tops	42"	3/4"	15 7/8"	YMP1642()	294.	320.	707.	813.	1,058.
	For 48" Wide Tops	48"	3/4"	15 7/8"	YMP1648()	300.	344.	733.	846.	1,099.
	For 54" Wide Tops	54"	3/4"	15 7/8"	YMP1654()	307.	352.	762.	876.	1,139.
	For 60" Wide Tops	60"	3/4"	15 7/8"	YMP1660()	361.	449.	818.	939.	1,220.
	For 66" Wide Tops	66"	3/4"	15 7/8"	YMP1666()	406.	495.	838.	964.	1,255.
	For 72" Wide Tops	72"	3/4"	15 7/8"	YMP1672()	412.	502.	863.	991.	1,289.
	For 78" Wide Tops	78"	3/4"	15 7/8"	YMP1678()	419.	508.	894.	1,030.	1,337.
	For 84" Wide Tops	84"	3/4"	15 7/8"	YMP1684()	424.	514.	916.	1,055.	1,370.

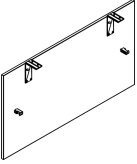
Desk and Table Support

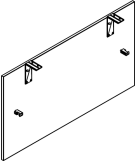
Ordering Information	Order Code	Included With	Options
Modesty Panels for Desks or Returns 1. Pattern Number 2. Surface Finish 3. Bracket Paint Finish	Modesty Panels for Desks or Returns <i>Example: YMP1748P, 118T, 118T</i> YMP Modesty Panel 17 Height 48 Width P Paint 118T Bright White Paint 118T Bright White Paint	Modesty Panels for Desks or Returns Attachment brackets Hardware	Modesty Panels for Desks or Returns Finish Options: (P) = Painted (L) = Laminate (V) = Veneer

Modesty Panels for Desks or Returns

Full Height

Painted, Laminate or Veneer

description	type	w	d	h	pattern no.	Painted (P)	Laminate (L)	V1 (V)	V2 (V)	V3 (V)
Modesty Panels for Desks or Returns, Full Height 	For 36" Wide Tops	36"	3/4"	26 1/2"	YMP2736()	\$309.	\$389.	\$765.	\$881.	\$1,144.
	For 42" Wide Tops	42"	3/4"	26 1/2"	YMP2742()	319.	400.	797.	917.	1,193.
	For 48" Wide Tops	48"	3/4"	26 1/2"	YMP2748()	331.	408.	838.	967.	1,256.
	For 54" Wide Tops	54"	3/4"	26 1/2"	YMP2754()	339.	417.	872.	1,003.	1,305.
	For 60" Wide Tops	60"	3/4"	26 1/2"	YMP2760()	398.	563.	945.	1,090.	1,416.
	For 66" Wide Tops	66"	3/4"	26 1/2"	YMP2766()	445.	612.	982.	1,128.	1,467.
	For 72" Wide Tops	72"	3/4"	26 1/2"	YMP2772()	456.	620.	1,012.	1,166.	1,515.
	For 78" Wide Tops	78"	3/4"	26 1/2"	YMP2778()	466.	630.	1,056.	1,213.	1,578.
	For 84" Wide Tops	84"	3/4"	26 1/2"	YMP2784()	476.	640.	1,088.	1,251.	1,626.

Modesty Panels for Desks or Returns, Full Height with Cord Passage 	For 36" Wide Tops	36"	3/4"	25 1/2"	YMP2636()	309.	389.	765.	881.	1,144.
	For 42" Wide Tops	42"	3/4"	25 1/2"	YMP2642()	319.	400.	797.	917.	1,193.
	For 48" Wide Tops	48"	3/4"	25 1/2"	YMP2648()	331.	408.	838.	967.	1,256.
	For 54" Wide Tops	54"	3/4"	25 1/2"	YMP2654()	339.	417.	872.	1,003.	1,305.
	For 60" Wide Tops	60"	3/4"	25 1/2"	YMP2660()	398.	563.	945.	1,090.	1,416.
	For 66" Wide Tops	66"	3/4"	25 1/2"	YMP2666()	445.	612.	982.	1,128.	1,467.
	For 72" Wide Tops	72"	3/4"	25 1/2"	YMP2672()	456.	620.	1,012.	1,166.	1,515.
	For 78" Wide Tops	78"	3/4"	25 1/2"	YMP2678()	466.	630.	1,056.	1,213.	1,578.
	For 84" Wide Tops	84"	3/4"	25 1/2"	YMP2684()	476.	640.	1,088.	1,251.	1,626.

Ordering Information

Modesty Panels for Desks or Returns

1. Pattern Number
2. Surface Finish
3. Bracket Paint Finish

Order Code

Modesty Panels for Desks or Returns

Example: **YMP2748P, 118T, 118T**

YMP	Modesty Panel
27	Height
48	Width
P	Paint
118T	Bright White Paint
118T	Bright White Paint

Included With

Modesty Panels for Desks or Returns

Attachment brackets
Hardware

Options

Modesty Panels for Desks or Returns

Finish Options:
(P) = Painted
(L) = Laminate
(V) = Veneer

Back Panels for Single Sided Big Tables

Planning Guidelines and Specifications

Back panels provide full enclosure on the back side of a single sided big table, from the underside of the top to within an inch above the floor. Back panels are available in 6" increments of width from 48" to 84" and should be specified in the same width as the top above.

Back panels can be planned with or without single sided big table end panels.

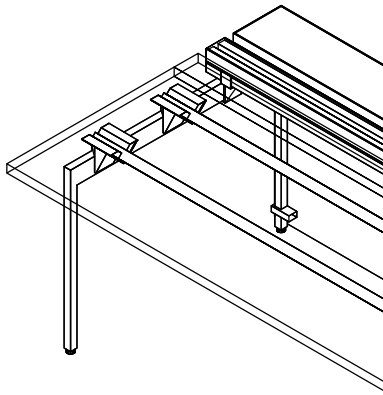
Back panel brackets do not deface the legs and may be added or removed without disassembling the big table.

Construction

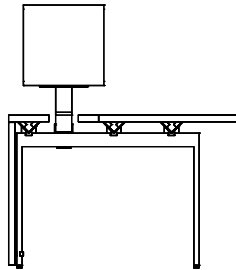
Back panels are 3/4" thick veneer, laminate or painted wood. Back panels include two or three top attachment brackets and brackets that secure the bottom of the back panel to the back of the big table end or intermediate legs. Brackets are steel and cast aluminum.

Specification Options

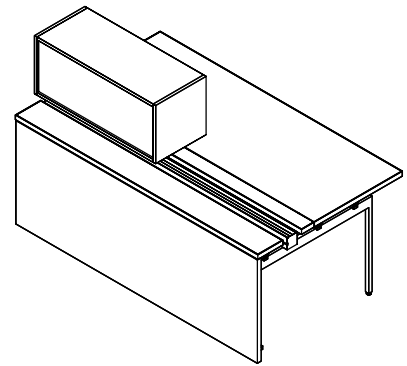
Specify back panels in any Knoll Core paint finish, solid laminate, patterned and woodgrain laminate up to 60"W, or veneer. Specify bracket color in any Knoll finish.



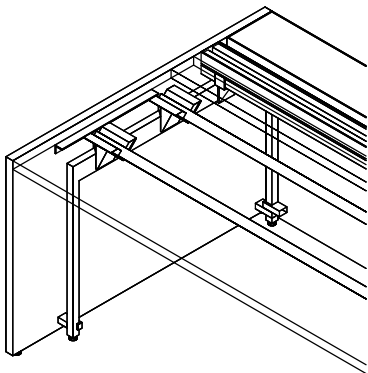
Single Sided Big Table with Back Panel



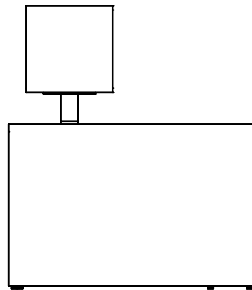
Single Sided Big Table with Back Panel End Elevation



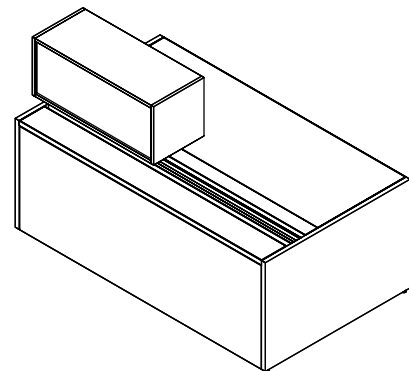
Single Sided Big Table with Back Panel



Single Sided Big Table with Back Panel and End Panel



Single Sided Big Table with Back Panel and End Panel End Elevation



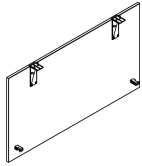
Single Sided Big Table with Back Panel and End Panel End Elevation

Back Panels for Single Sided Big Tables

Full Performance

Painted, Laminate or Veneer

description	type	w	d	h	pattern no.	Painted (P)	Laminate (L)	V1 (V)	V2 (V)	V3 (V)
Back Panels for Single Sided Big Table, Full Performance	For 48" Wide Tops	48"	3/4"	27"	YBPSSF2748()	\$331.	\$408.	\$838.	\$967.	\$1,256.
	For 54" Wide Tops	54"	3/4"	27"	YBPSSF2754()	339.	417.	872.	1,003.	1,305.
	For 60" Wide Tops	60"	3/4"	27"	YBPSSF2760()	398.	563.	945.	1,090.	1,416.
	For 66" Wide Tops	66"	3/4"	27"	YBPSSF2766()	445.	612.	982.	1,128.	1,467.
	For 72" Wide Tops	72"	3/4"	27"	YBPSSF2772()	456.	620.	1,012.	1,166.	1,515.
	For 78" Wide Tops	78"	3/4"	27"	YBPSSF2778()	466.	630.	1,056.	1,213.	1,578.
	For 84" Wide Tops	84"	3/4"	27"	YBPSSF2784()	476.	640.	1,088.	1,251.	1,626.



Ordering Information

Back Panels for Single Sided Big Tables

1. Pattern Number
2. Surface Finish
3. Bracket Paint Finish

Order Code

Back Panels for Single Sided Tables

Example: **YBPSSF2748P, 118T, 118T**

YBP	Back Panel
SS	Single Sided Big Table
F	Full Performance
27	Height
48	Width
P	Paint
118T	Bright White Paint
118T	Bright White Paint

Included With

Back Panels for Single Sided Big Tables

Attachment brackets
Hardware

Options

Back Panels for Single Sided Big Tables

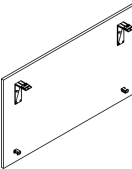
Finish Options:

(P) = Painted
(L) = Laminate
(V) = Veneer

Back Panels for Single Sided Big Tables

Basic

Painted, Laminate or Veneer

description	type	w	d	h	pattern no.	Painted (P)	Laminate (L)	V1 (V)	V2 (V)	V3 (V)
	For 48" Wide Tops	48"	3/4"	27"	YBPSSB2748()	\$331.	\$408.	\$838.	\$967.	\$1,256.
	For 54" Wide Tops	54"	3/4"	27"	YBPSSB2754()	339.	417.	872.	1,003.	1,305.
	For 60" Wide Tops	60"	3/4"	27"	YBPSSB2760()	398.	563.	945.	1,090.	1,416.
	For 66" Wide Tops	66"	3/4"	27"	YBPSSB2766()	445.	612.	982.	1,128.	1,467.
	For 72" Wide Tops	72"	3/4"	27"	YBPSSB2772()	456.	620.	1,012.	1,166.	1,515.
	For 78" Wide Tops	78"	3/4"	27"	YBPSSB2778()	466.	630.	1,056.	1,213.	1,578.
	For 84" Wide Tops	84"	3/4"	27"	YBPSSB2784()	476.	640.	1,088.	1,251.	1,626.

Ordering Information

Back Panels for Single Sided Big Tables

1. Pattern Number
2. Surface Finish
3. Bracket Paint Finish

Order Code

Back Panels for Single Sided Tables

Example: **YBPSSB2748P, 118T, 118T**

YBP	Back Panel
SS	Single Sided Big Table
B	Basic
27	Height
48	Width
P	Paint
118T	Bright White Paint
118T	Bright White Paint

Included With

Back Panels for Single Sided Big Tables

Attachment brackets
Hardware

Options

Back Panels for Single Sided Big Tables

Finish Options:
(P) = Painted
(L) = Laminate
(V) = Veneer

End Panels

For Desks or Returns

Planning Guidelines and Specifications

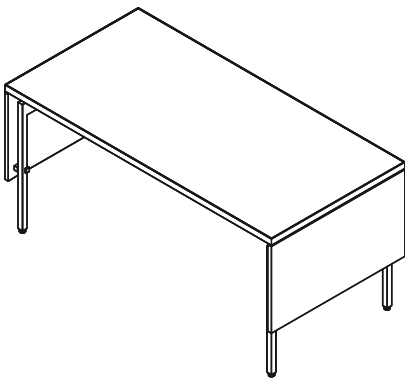
End panels for desks can be planned with modesty panels or independently to add enclosure below Antenna desk tops. End panels are added outside the standard Antenna desk structure and do not touch the floor. End panels are available in half height or full height versions.

END PANELS DO NOT TAKE THE PLACE OF END LEGS OR PROVIDE SUPPORT.

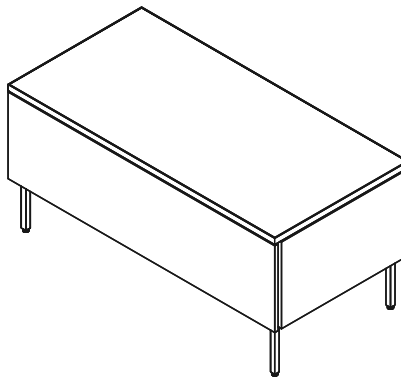
Half height versions start 10" above the floor, aligning with suspended files. In both heights, end panels can be specified with or without a 1 1/4" high cord passage at the top to enable wire management or clamp-on accessories like Sapper monitor arms or desktop power center.

End panels used independently, without a modesty panel, are full depth to match desk tops 18", 24", 27", 30" or 36" deep.

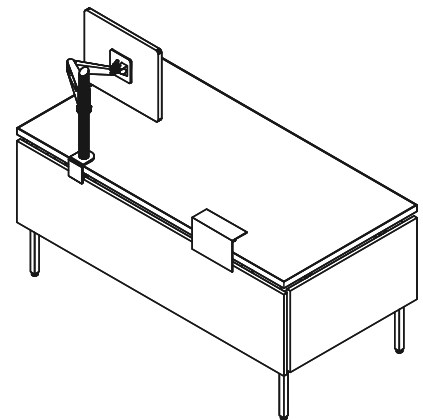
End panels for Antenna desks with modesty enclose the end of a desk in combination with a modesty panel. End panels for use in combination with an overlapping modesty panel are 1 1/2" less deep than the standard top depth. End panels are designed to be flush with the end and front edge of a desk top and align with the back edge of the desk end leg.



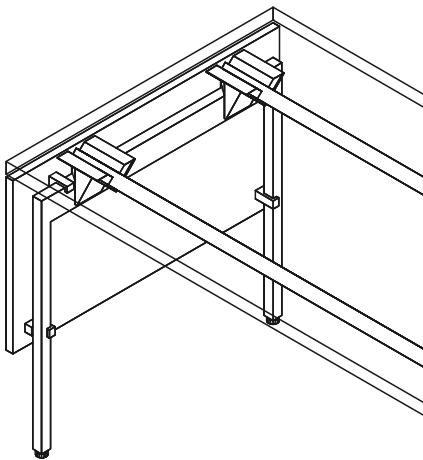
Desk with Partial Height End Panel



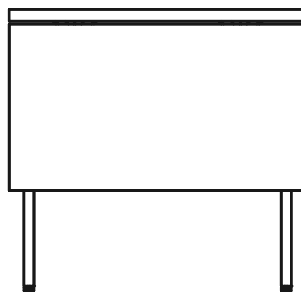
Desk with Partial Height End and Modesty Panel



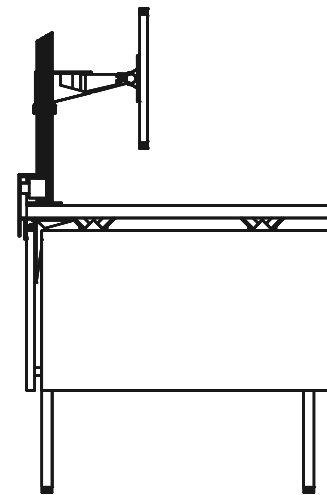
Desk with Partial Height End and Modesty Panel with Cord Passage



Desk with Partial Height End Panel



Desk with Partial Height End Panel Elevation



Desk with Partial Height End and Modesty Panel with Cord Passage Elevation

End Panels

For Desks or Returns

Planning Guidelines and Specifications

End panels include two brackets over the top of an adjacent end leg and offset brackets to secure the inside of the panel to the side of the leg. Offset brackets define a 3/4" space between the end panel and the side of the desk end legs. When installed together there is a 3/4" reveal between the end panel and the inside of the modesty. End panels require a standard desk end leg positioned 1 1/2" from end of desk top for support.

Because of crisp edge details, desk end panels should not be planned in combination with radius corner Overlay tops, but can be planned with crisp corner "Benching" type Overlay tops.

End panels are not designed to be used in combination with table desk end legs.

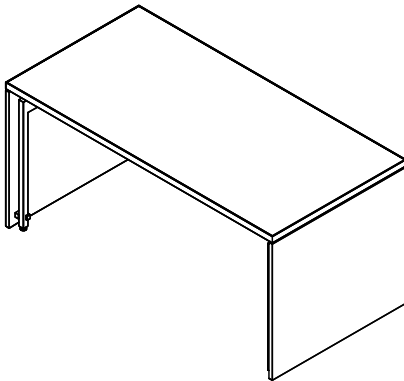
End panel brackets do not deface the legs and may be added or removed without disassembling the desk.

Construction

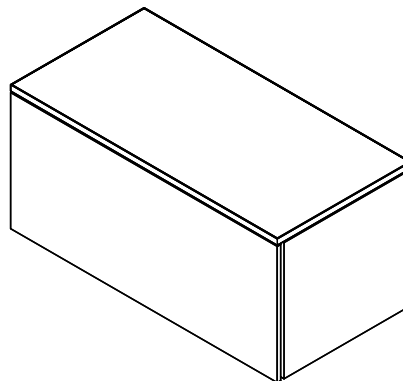
End panels are 3/4" thick veneer, laminate, or painted wood and include steel and cast aluminum brackets.

Specification Options

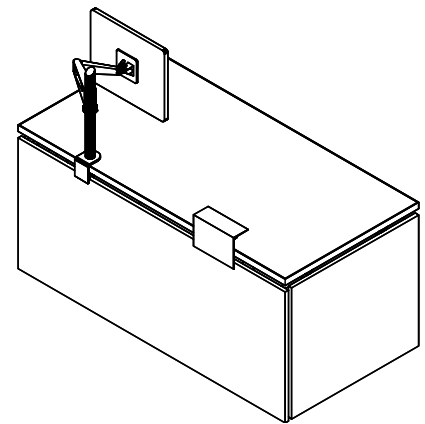
Specify end panels in any Knoll Core paint finish, solid laminate, patterned and woodgrain laminate up to 60"W, or veneer. Also, specify bracket color in any Knoll Core paint finish.



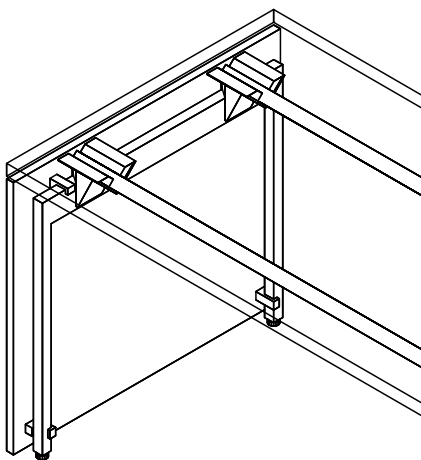
Desk with Full Height End Panel



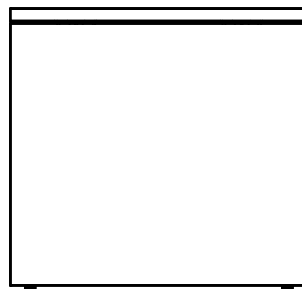
Desk with Full Height End and Modesty Panel



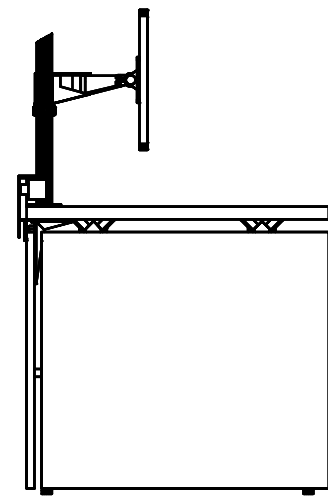
Desk with Full Height End and Modesty Panel with Cord Passage



Desk with Full Height End Panel



Desk with Full Height End Panel Elevation

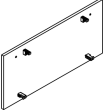


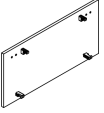
Desk with Full Height End and Modesty Panel with Cord Passage Elevation

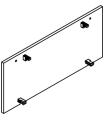
End Panels

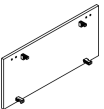
Half Height for Desks or Returns

Painted, Laminate or Veneer

description	type	w	d	h	pattern no.	Painted (P)	Laminate (L)	V1 (V)	V2 (V)	V3 (V)
 End Panels for Desks or Returns, Half Height	For 18" Deep Tops	18"	3/4"	16 7/8"	YEP1718()	\$206.	\$203.	\$602.	\$692.	\$900.
	For 24" Deep Tops	24"	3/4"	16 7/8"	YEP1724()	213.	214.	633.	728.	945.
	For 27" Deep Tops	27"	3/4"	16 7/8"	YEP1727()	216.	217.	652.	751.	977.
	For 30" Deep Tops	30"	3/4"	16 7/8"	YEP1730()	219.	234.	660.	761.	989.
	For 36" Deep Tops	36"	3/4"	16 7/8"	YEP1736()	226.	253.	684.	786.	1,023.

 End Panels for Desks or Returns, Half Height for use with Modesty Panels	For 18" Deep Tops	16 1/2"	3/4"	16 7/8"	YEP1717()	206.	203.	609.	700.	911.
	For 24" Deep Tops	22 1/2"	3/4"	16 7/8"	YEP1723()	213.	214.	631.	726.	942.
	For 27" Deep Tops	25 1/2"	3/4"	16 7/8"	YEP1726()	217.	218.	653.	752.	978.
	For 30" Deep Tops	28 1/2"	3/4"	16 7/8"	YEP1729()	219.	220.	668.	770.	1,002.
	For 36" Deep Tops	34 1/2"	3/4"	16 7/8"	YEP1735()	226.	253.	692.	794.	1,034.

 End Panels for Desks or Returns, Half Height with Cord Passage	For 18" Deep Tops	18"	3/4"	15 7/8"	YEP1618()	206.	203.	602.	692.	900.
	For 24" Deep Tops	24"	3/4"	15 7/8"	YEP1624()	213.	214.	633.	728.	945.
	For 27" Deep Tops	27"	3/4"	15 7/8"	YEP1627()	216.	217.	652.	751.	977.
	For 30" Deep Tops	30"	3/4"	15 7/8"	YEP1630()	219.	234.	660.	761.	989.
	For 36" Deep Tops	36"	3/4"	15 7/8"	YEP1636()	226.	253.	684.	786.	1,023.

 End Panels for Desks or Returns, Half Height with Cord Passage for use with Modesty Panels	For 18" Deep Tops	16 1/2"	3/4"	15 7/8"	YEP1617()	206.	203.	609.	700.	911.
	For 24" Deep Tops	22 1/2"	3/4"	15 7/8"	YEP1623()	213.	214.	631.	726.	942.
	For 27" Deep Tops	25 1/2"	3/4"	15 7/8"	YEP1626()	217.	218.	653.	752.	978.
	For 30" Deep Tops	28 1/2"	3/4"	15 7/8"	YEP1629()	219.	220.	668.	770.	1,002.
	For 36" Deep Tops	34 1/2"	3/4"	15 7/8"	YEP1635()	226.	253.	692.	794.	1,034.

Ordering Information

End Panels for Desks or Returns

1. Pattern Number
2. Surface Finish
3. Bracket Paint Finish

Order Code

End Panels for Desks or Returns

Example: **YEP1724P, 118T, 118T**

YEP	End Panel
17	Height
24	Width
P	Paint
118T	Bright White Paint
118T	Bright White Paint

Included With

End Panels for Desks or Returns
Attachment brackets
Hardware

Options

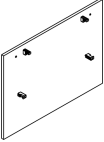
End Panels for Desks or Returns

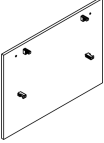
Finish Options:
(P) = Painted
(L) = Laminate
(V) = Veneer

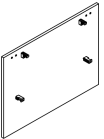
End Panels

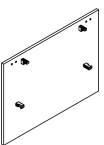
Full Height for Desks or Returns

Painted, Laminate or Veneer

description	type	w	d	h	pattern no.	Painted (P)	Laminate (L)	V1 (V)	V2 (V)	V3 (V)
	For 18" Deep Tops	18"	3/4"	26 1/2"	YEP2718()	\$217.	\$232.	\$645.	\$743.	\$964.
	For 24" Deep Tops	24"	3/4"	26 1/2"	YEP2724()	227.	252.	687.	790.	1,031.
	For 27" Deep Tops	27"	3/4"	26 1/2"	YEP2727()	231.	256.	703.	808.	1,054.
	For 30" Deep Tops	30"	3/4"	26 7/8"	YEP2730()	235.	279.	731.	840.	1,096.
	For 36" Deep Tops	36"	3/4"	26 1/2"	YEP2736()	248.	288.	763.	879.	1,142.

	For 18" Deep Tops	16 1/2"	3/4"	26 1/2"	YEP2717()	217.	232.	651.	750.	972.
	For 24" Deep Tops	22 1/2"	3/4"	26 1/2"	YEP2723()	227.	241.	683.	785.	1,022.
	For 27" Deep Tops	25 1/2"	3/4"	26 1/2"	YEP2726()	231.	256.	709.	818.	1,063.
	For 30" Deep Tops	28 1/2"	3/4"	26 1/2"	YEP2729()	235.	261.	726.	834.	1,086.
	For 36" Deep Tops	34 1/2"	3/4"	26 1/2"	YEP2735()	248.	310.	761.	875.	1,137.

	For 18" Deep Tops	18"	3/4"	25 1/2"	YEP2618()	217.	232.	645.	743.	964.
	For 24" Deep Tops	24"	3/4"	25 1/2"	YEP2624()	227.	252.	687.	790.	1,031.
	For 27" Deep Tops	27"	3/4"	25 1/2"	YEP2627()	231.	256.	703.	808.	1,054.
	For 30" Deep Tops	30"	3/4"	25 1/2"	YEP2630()	235.	279.	731.	840.	1,096.
	For 36" Deep Tops	36"	3/4"	25 1/2"	YEP2636()	248.	288.	768.	879.	1,142.

	For 18" Deep Tops	16 1/2"	3/4"	25 1/2"	YEP2617()	217.	232.	651.	750.	972.
	For 24" Deep Tops	22 1/2"	3/4"	25 1/2"	YEP2623()	227.	241.	683.	785.	1,022.
	For 27" Deep Tops	25 1/2"	3/4"	25 1/2"	YEP2626()	231.	256.	709.	818.	1,063.
	For 29" Deep Tops	28 1/2"	3/4"	25 1/2"	YEP2629()	235.	261.	726.	834.	1,086.
	For 36" Deep Tops	34 1/2"	3/4"	25 1/2"	YEP2635()	248.	310.	761.	875.	1,137.

Desk and Table Support

Ordering Information	Order Code	Included With	Options
End Panels for Desks or Returns 1. Pattern Number 2. Surface Finish 3. Bracket Paint Finish	End Panels for Desks or Returns <i>Example:</i> YEP2724P, 118T, 118T YEP End Panel 27 Height 24 Width P Paint 118T Bright White Paint 118T Bright White Paint	End Panels for Desks or Returns Attachment brackets Hardware	End Panels for Desks or Returns Finish Options: (P) = Painted (L) = Laminate (V) = Veneer

End Panels

For Back to Back Desks

Planning Guidelines and Specifications

End panels are also available in widths to enclose the end of back-to-back desks, which sit below the front edges of both tops. End panels are added outside the standard Antenna desk structure and do not touch the floor.

END PANELS DO NOT TAKE THE PLACE OF END LEGS OR PROVIDE SUPPORT.

End panels are available in half height or full height versions. Half height versions start 10" above the floor, aligning with suspended files.

End panels are full depth to match back-to-back desks using 18", 24", 27", 30" or 36" deep tops. Overall depths equal 40", 52", 58" and 64".

End panels include two brackets over the top of an adjacent end leg and offset brackets to secure the inside of the panel to the side of the leg. Offset brackets define a 3/4" space between the end panel and the side of the desk end legs.

End panels require a standard back-to-back desk end leg positioned 1 1/2" from end of desk top for support.

Because of crisp edge details, desk end panels should not be planned in combination with radius corner Overlay tops, but can be planned with crisp corner "Benching" type Overlay tops.

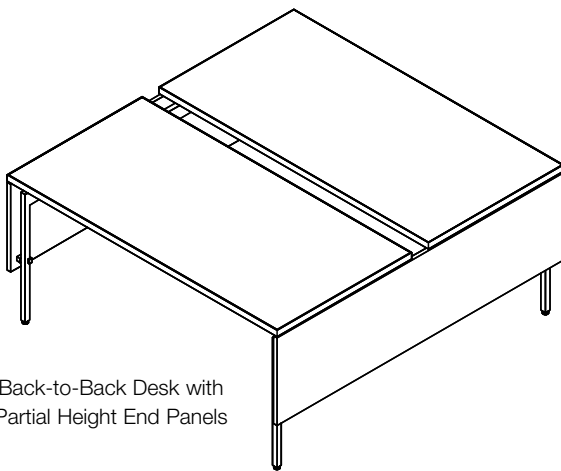
End panel brackets do not deface the legs and may be added or removed without disassembling the desk.

Construction

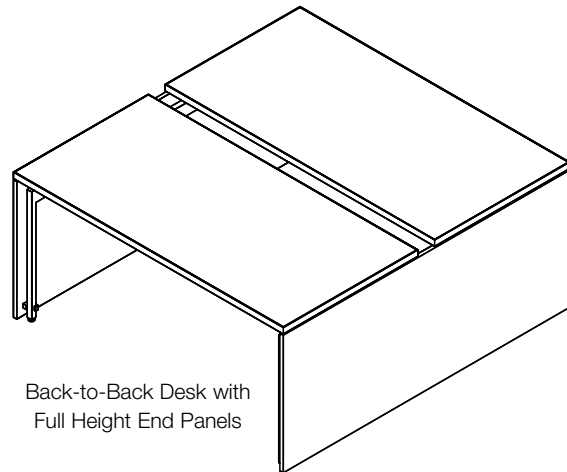
End panels are 3/4" thick veneer, laminate, or painted wood and include steel and cast aluminum brackets.

Specification Options

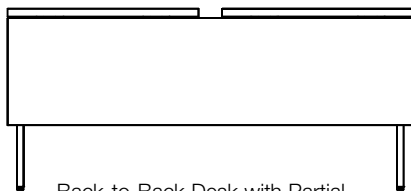
Specify end panels in any Knoll Core paint finish, solid laminate, patterned and woodgrain laminate up to 60"W, or veneer. Also, specify bracket color in any Knoll Core paint finish.



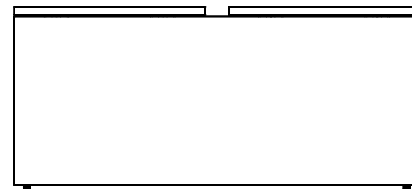
Back-to-Back Desk with Partial Height End Panels



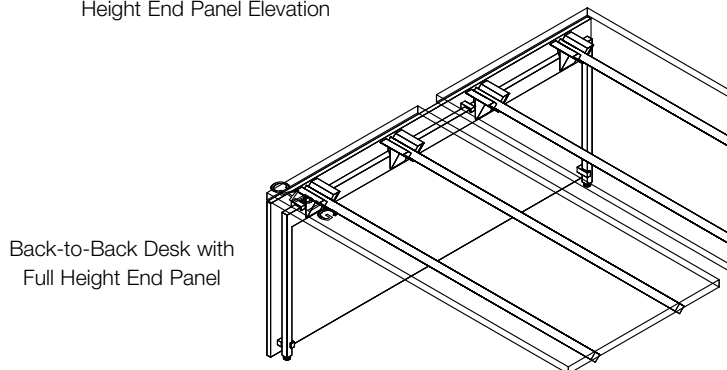
Back-to-Back Desk with Full Height End Panels



Back-to-Back Desk with Partial Height End Panel Elevation



Back-to-Back Desk with Full Height End Panel Elevation

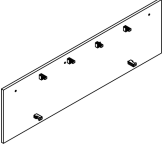


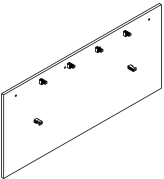
Back-to-Back Desk with Full Height End Panel

End Panels

For Back to Back Desks

Painted, Laminate or Veneer

description	type	w	d	h	pattern no.	Painted (P)	Laminate (L)	V1 (V)	V2 (V)	V3 (V)
End Panels for Back to Back Desks, Half Height 	For 18" Deep Back to Back Tops	39 ³ / ₄ "	³ / ₄ "	16 ⁷ / ₈ "	YEP1740()	\$294.	\$294.	\$712.	\$822.	\$1,066.
	For 24" Deep Back to Back Tops	51 ³ / ₄ "	³ / ₄ "	16 ⁷ / ₈ "	YEP1752()	307.	326.	765.	882.	1,145.
	For 27" Deep Back to Back Tops	57 ³ / ₄ "	³ / ₄ "	16 ⁷ / ₈ "	YEP1758()	312.	332.	788.	906.	1,178.
	For 30" Deep Back to Back Tops	63 ³ / ₄ "	³ / ₄ "	16 ⁷ / ₈ "	YEP1764()	319.	416.	841.	970.	1,260.
	For 36" Deep Back to Back Tops	75 ³ / ₄ "	³ / ₄ "	16 ⁷ / ₈ "	YEP1776()	333.	428.	886.	1,019.	1,324.

End Panels for Back to Back Desks, Full Height 	For 18" Deep Back to Back Tops	39 ³ / ₄ "	³ / ₄ "	25 ⁷ / ₈ "	YEP2640()	318.	354.	797.	917.	1,193.
	For 24" Deep Back to Back Tops	51 ³ / ₄ "	³ / ₄ "	25 ⁷ / ₈ "	YEP2652()	338.	388.	872.	1,005.	1,305.
	For 27" Deep Back to Back Tops	57 ³ / ₄ "	³ / ₄ "	25 ⁷ / ₈ "	YEP2658()	347.	400.	905.	1,040.	1,353.
	For 30" Deep Back to Back Tops	63 ³ / ₄ "	³ / ₄ "	25 ⁷ / ₈ "	YEP2664()	357.	430.	970.	1,115.	1,451.
	For 36" Deep Back to Back Tops	75 ³ / ₄ "	³ / ₄ "	25 ⁷ / ₈ "	YEP2676()	379.	546.	1,044.	1,202.	1,561.

Desk and Table Support

Ordering Information	Order Code	Included With	Options
End Panels for Back to Back Desks 1. Pattern Number 2. Surface Finish 3. Bracket Paint Finish	End Panels for Back to Back Desks <i>Example:</i> YEP1752P, 118T, 118T YEP End Panel 17 Height 52 Width P Paint 118T Bright White Paint 118T Bright White Paint	End Panels for Back to Back Desks Attachment brackets Hardware	End Panels for Back to Back Desks Finish Options: (P) = Painted (L) = Laminate (V) = Veneer

End Panels

For Dual Big Tables

Planning Guidelines and Specifications

End panels are also available in widths to enclose the end of dual and single sided big tables, which align with the end of the desk and the front edges of the tops. End panels are added outside the standard Antenna desk structure, which adds 2 1/2" to the overall width of the big table.

End panels do not take the place of end legs or provide table support.

End panels for big table enclose the end of a big table, from the floor up to the top of the desk tops and center beam. End panels do not take the place of end legs or provide support; they simply attach to the outside of big table end legs. End panels serve the same purpose as center beam end caps, so end caps do not need to be specified.

End panels are full depth to match dual sided big tables using 18", 24", 27", 30" or 36" deep tops on either side of a center beam. Single sided big tables include a full depth 18", 24", 27", 30" or 36" deep top on the primary side of the center beam and a 7 1/2" deep top on the back side of the center beam. End panels are available full depth to match the depth of single sided big tables. Big table end panels are 28 1/2" high, so the top of the end panel is flush with the desk top.

End panels include two leveling glides and brackets for attachment to the adjacent tops and big table end leg. An end panel uses two brackets for attachment over the top of an adjacent end leg and offset brackets to secure the inside of the panel to the side of the leg.

End panels require a standard big table end leg positioned 1 1/2" from end of desk top for support.

Because of crisp edge details, big end panels should not be planned in combination with radius corner Overlay tops, but can be planned with crisp corner "Benching" type Overlay tops.

End panel brackets do not deface the legs and may be added or removed without disassembling the desk.

Construction

End panels are 1 1/8" thick veneer, laminate or painted wood and include steel and cast aluminum brackets.

Specification Options

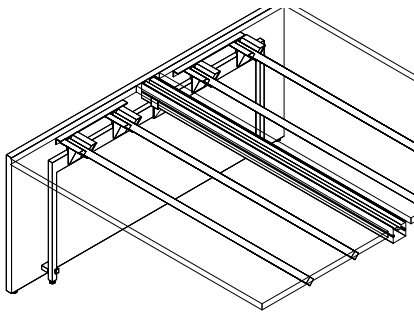
Specify end panels in any Knoll Core paint finish, solid laminate, patterned and woodgrain laminate up to 60"W, or veneer. Also, specify brackets in any Knoll Core paint finish.



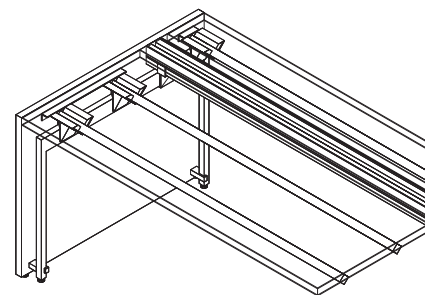
Dual Sided Big Table with End Panels Elevation



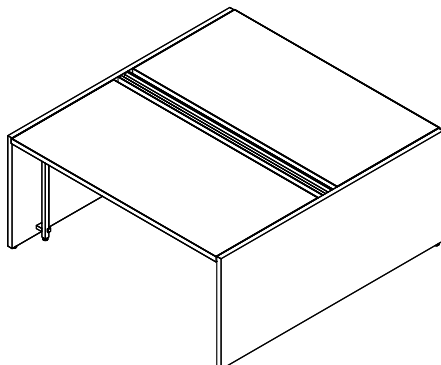
Single Sided Big Table with End Panels End Elevation



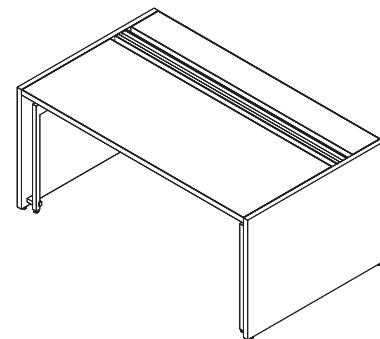
Dual Sided Big Table with End Panels Detail



Single Sided Big Table with End Panels Detail



Dual Sided Big Table with End Panels



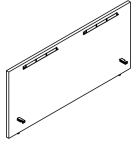
Single Sided Big Table with End Panels

End Panels

For Dual Big Tables

Painted, Laminate or Veneer

description	type	w	d	h	pattern no.	Painted (P)	Laminate (L)	V1 (V)	V2 (V)	V3 (V)
End Panels for Dual Sided Big Tables, Full Height	For 18"D Dual Sided Big Tables	41 1/2"	1 1/8"	28 1/2"	YEP2841	\$426.	\$430.	\$825.	\$945.	\$1,229.
	For 24"D Dual Sided Big Tables	53 1/2"	1 1/8"	28 1/2"	YEP2853	483.	491.	967.	1,111.	1,444.
	For 27"D Dual Sided Big Tables	59 1/2"	1 1/8"	28 1/2"	YEP2859	501.	526.	1,003.	1,152.	1,498.
	For 30"D Dual Sided Big Tables	65 1/2"	1 1/8"	28 1/2"	YEP2865	519.	540.	1,052.	1,208.	1,569.
	For 36"D Dual Sided Big Tables	77 1/2"	1 1/8"	28 1/2"	YEP2877	560.	675.	1,076.	1,240.	1,672.

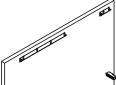


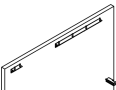
Ordering Information	Order Code	Included With	Options
End Panels For Big Tables	End Panels For Big Tables	End Panels For Big Tables	End Panels For Big Tables
1. Pattern Number	<i>Example:</i> YEP2853P, 118T, 118T	Attachment brackets Hardware	Finish Options: (P) = Painted (L) = Laminate (V) = Veneer
2. Surface Finish	YEP End Panel		
3. Bracket Finish	28 Height		
	53 Width		
	118T Bright White Paint		
	118T Bright White Paint		

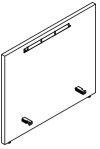
End Panels

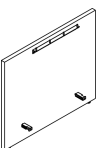
For Single Sided Big Tables

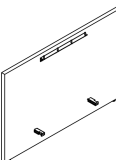
Painted, Laminate or Veneer

description	type	w	d	h	pattern no.	Painted (P)	Laminate (L)	V1 (V)	V2 (V)	V3 (V)
 End Panels for Single Sided Big Tables, Full Performance, Left Hand	For 18"D Single Sided Big Tables	31"	1 1/8"	28 1/2"	YEPSSF2831L	\$402.	\$406.	\$794.	\$915.	\$1,191.
	For 24"D Single Sided Big Tables	37"	1 1/8"	28 1/2"	YEPSSF2837L	421.	428.	833.	958.	1,246.
	For 27"D Single Sided Big Tables	40"	1 1/8"	28 1/2"	YEPSSF2840L	428.	435.	851.	980.	1,271.
	For 30"D Single Sided Big Tables	43"	1 1/8"	28 1/2"	YEPSSF2843L	438.	440.	870.	1,002.	1,301.
	For 36"D Single Sided Big Tables	49"	1 1/8"	28 1/2"	YEPSSF2849L	457.	472.	919.	1,058.	1,374.

 End Panels for Single Sided Big Tables, Full Performance, Right Hand	For 18"D Single Sided Big Tables	31"	1 1/8"	28 1/2"	YEPSSF2831R	402.	406.	794.	915.	1,191.
	For 24"D Single Sided Big Tables	37"	1 1/8"	28 1/2"	YEPSSF2837R	421.	428.	833.	958.	1,246.
	For 27"D Single Sided Big Tables	40"	1 1/8"	28 1/2"	YEPSSF2840R	428.	435.	851.	980.	1,271.
	For 30"D Single Sided Big Tables	43"	1 1/8"	28 1/2"	YEPSSF2843R	438.	440.	870.	1,002.	1,301.
	For 36"D Single Sided Big Tables	49"	1 1/8"	28 1/2"	YEPSSF2849R	457.	472.	919.	1,058.	1,374.

 End Panels for Single Sided Big Tables, Basic, Left Hand	For 18"D Single Sided Big Tables	24 1/4"	1 1/8"	28 1/2"	YEP2SSB2825L	492.	483.	886.	958.	1,297.
	For 24"D Single Sided Big Tables	30 1/4"	1 1/8"	28 1/2"	YEP2SSB2831L	415.	398.	885.	967.	1,370.
	For 27"D Single Sided Big Tables	33 1/4"	1 1/8"	28 1/2"	YEP2SSB2834L	424.	405.	901.	987.	1,425.
	For 30"D Single Sided Big Tables	36 1/4"	1 1/8"	28 1/2"	YEP2SSB2837L	435.	420.	918.	1,008.	1,479.

 End Panels for Single Sided Big Tables, Basic, Right Hand	For 18"D Single Sided Big Tables	24 1/4"	1 1/8"	28 1/2"	YEP2SSB2825R	492.	483.	886.	958.	1,297.
	For 24"D Single Sided Big Tables	30 1/4"	1 1/8"	28 1/2"	YEP2SSB2831R	415.	398.	885.	967.	1,370.
	For 27"D Single Sided Big Tables	33 1/4"	1 1/8"	28 1/2"	YEP2SSB2834R	424.	405.	901.	987.	1,425.
	For 30"D Single Sided Big Tables	36 1/4"	1 1/8"	28 1/2"	YEP2SSB2837R	435.	420.	918.	1,008.	1,479.

 End Panels for Single Sided Big Tables, Basic, Non-handed	For 36"D Single Sided Big Tables	42 1/4"	1 1/8"	28 1/2"	YEP2SSB2843	457.	459.	948.	1,050.	1,589.
---	----------------------------------	---------	--------	---------	--------------------	------	------	------	--------	--------

Ordering Information

End Panels For Big Tables

1. Pattern Number
2. Surface Finish
3. Bracket Finish

Order Code

End Panels For Big Tables

Example: **YEP2853P, 118T, 118T**

YEP	End Panel
28	Height
53	Width
118T	Bright White Paint
118T	Bright White Paint

Included With

End Panels For Big Tables

Attachment brackets
Hardware

Options

End Panels For Big Tables

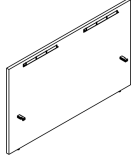
Finish Options:

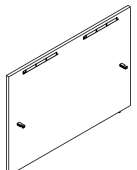
(P) = Painted
(L) = Laminate
(V) = Veneer

End Panels

For Standing Height Dual Big Tables

Laminate or Veneer

description	type	w	d	h	pattern no.	Painted (P)	Laminate (L)	V1 (V)	V2 (V)	V3 (V)
 End Panels for Standing Height Dual Sided Big Tables 36"H	For 18"D Dual Sided Big Tables	41 1/2"	1 1/8"	36 1/2"	YEPH3641	\$535.	\$574.	\$1,070.	\$1,192.	\$1,834.
	For 24"D Dual Sided Big Tables	53 1/2"	1 1/8"	36 1/2"	YEPH3653	592.	618.	1,153.	1,300.	2,107.
	For 27"D Dual Sided Big Tables	59 1/2"	1 1/8"	36 1/2"	YEPH3659	617.	795.	1,254.	1,413.	2,303.
	For 30"D Dual Sided Big Tables	65 1/2"	1 1/8"	36 1/2"	YEPH3665	646.	814.	1,294.	1,467.	2,438.

 End Panels for Standing Height Dual Sided Big Tables 42"H	For 24"D Dual Sided Big Tables	53 1/2"	1 1/8"	42"	YEPT4253	630.	729.	1,267.	1,433.	2,349.
	For 27"D Dual Sided Big Tables	59 1/2"	1 1/8"	42"	YEPT4259	659.	824.	1,314.	1,491.	2,505.
	For 30"D Dual Sided Big Tables	65 1/2"	1 1/8"	42"	YEPT4265	694.	840.	1,373.	1,567.	2,672.

Ordering Information	Order Code	Included With	Options
End Panels For Big Tables 1. Pattern Number 2. Surface Finish 3. Bracket Finish	End Panels For Big Tables <i>Example:</i> YEP2853P, 118T, 118T YEP End Panel 28 Height 53 Width 118T Bright White Paint 118T Bright White Paint	End Panels For Big Tables Attachment brackets Hardware	End Panels For Big Tables Finish Options: (P) = Painted (L) = Laminate (V) = Veneer

Enclave End Panels

For Dual Sided Big Tables

Planning Guidelines and Specifications

Enclave end panels enclose the end of dual sided big tables from the floor to a 42" or 49" horizon to align with center screens, or 56"h, tall enough to enclose the back of a large TV.

End panels do not take the place of end legs or provide table support.

Video displays cannot be mounted directly to Antenna Screens, Interpole Screens or Media Enclave End Panels.

Center beam end cap is not required.

End panels are full depth to match dual sided big tables with 18", 24", 27", 30" or 36" deep tops on either side of a center beam.

End panels include two leveling glides and brackets for attachment to the adjacent tops and fixed height big table end leg.

End panels require a standard big table end leg positioned 1 1/2" from end of desk top for support.

Enclave end panels can be planned in combination with standard Antenna or Overlay tops.

End panel brackets do not deface the legs and may be added or removed without disassembling the desk.

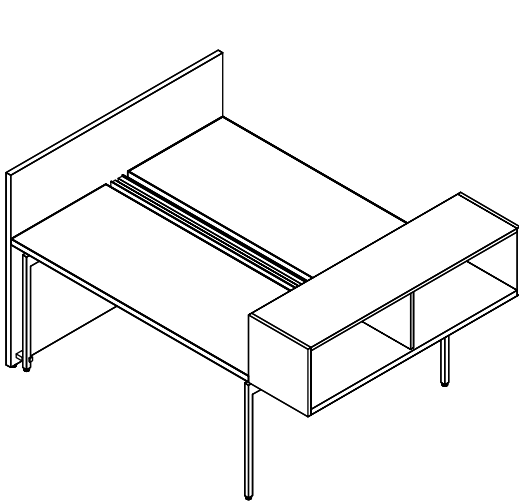
Construction

End panels are 1 1/8" thick laminate or veneer and include steel brackets to the tops and cast aluminum brackets to the leg.

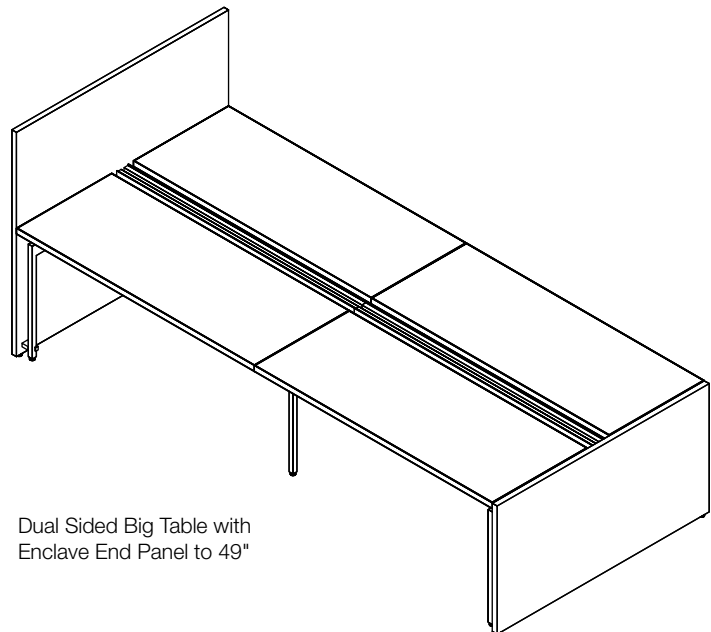
Veneer end panels 48" and taller are in two pieces with centered vertical seam and additional steel stiffener bracket.

Specification Options

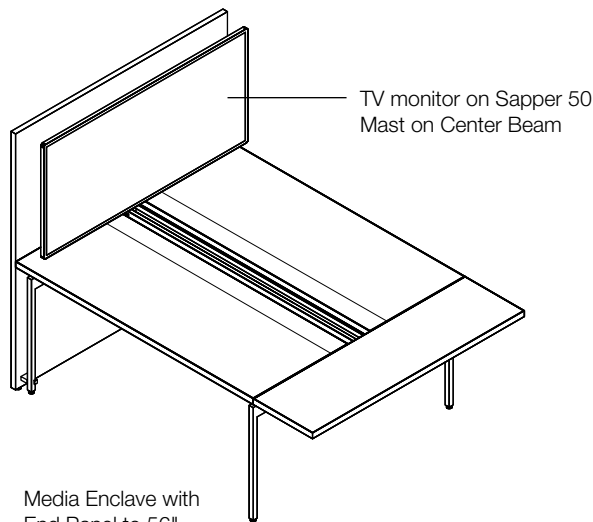
Specify end panels in any Knoll Core solid laminate, patterned and woodgrain laminate up to 60"W, or veneer. Specify brackets in any Knoll Core paint finish.



Dual Sided Big Table with Enclave End Panel to 42"



Dual Sided Big Table with Enclave End Panel to 49"

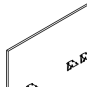


Media Enclave with End Panel to 56"

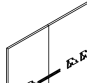
Enclave End Panels

For Dual Sided Big Tables

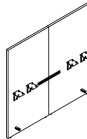
Laminate or Veneer

description	type	w	d	h	pattern no.	Laminate (L)	(LM)	V1 (V)	V2 (V)	V3 (V)
	For 24" D Dual Sided Big Table	53 1/2"	1 1/8"	42"	YEP4253()	\$922.	\$922.	\$1,170.	\$1,344.	\$2,284.
	For 27" D Dual Sided Big Table	59 1/2"	1 1/8"	42"	YEP4259()	1,478.	1,478.	1,652.	1,900.	3,232.
	For 30" D Dual Sided Big Table	65 1/2"	1 1/8"	42"	YEP4265()	1,502.	1,502.	1,682.	1,934.	3,290.
	For 36" D Dual Sided Big Table	77 1/2"	1 1/8"	42"	YEP4277()	1,539.	1,539.	1,767.	2,033.	3,455.

(YEP5659(L/V) shown)

	For 24" D Dual Sided Big Table	53 1/2"	1 1/8"	49"	YEP4953()	953.	1,206.	1,718.	1,977.	3,359.
	For 27" D Dual Sided Big Table	59 1/2"	1 1/8"	49"	YEP4959()	1,507.	1,507.	1,972.	2,267.	3,854.
	For 30" D Dual Sided Big Table	65 1/2"	1 1/8"	49"	YEP4965()	1,531.	1,531.	2,038.	2,345.	3,986.
	For 36" D Dual Sided Big Table	77 1/2"	1 1/8"	49"	YEP4977()	1,581.	1,581.	2,164.	2,490.	4,234.

(YEP5659V shown)

	For 24" D Dual Sided Big Table	53 1/2"	1 1/8"	56"	YEP5653()	984.	1,238.	1,984.	2,279.	3,870.
	For 27" D Dual Sided Big Table	59 1/2"	1 1/8"	56"	YEP5659()	1,544.	1,544.	2,075.	2,387.	4,059.
	For 30" D Dual Sided Big Table	65 1/2"	1 1/8"	56"	YEP5665()	1,567.	1,567.	2,139.	2,461.	4,184.

(YEP5659V shown)

Desk and Table Support

Ordering Information

Enclave End Panels For Big Tables

1. Pattern Number
2. Surface Finish
3. Bracket Finish

Order Code

Enclave End Panels For Big Tables

Example: **YEP5653L, M, 118T**

YEP Enclave End Panel

56 Height

53 Width

L Laminate

M Markerboard

118T Bright White Paint

Included With

Enclave End Panels For Big Tables

Attachment brackets
Hardware

Options

Enclave End Panels For Big Tables

Finish Options:

(L) = Laminate
(V) = Veneer

Installation Gauge

The installation gauge is a tool used to help create accurate, consistent Antenna Workspaces installations. The tool can be used in four different ways while installing Antenna Workspaces desks or big tables. (See drawings below)

Application #1

The most common application for the installation gauge is for use when positioning the top over the rails. The V cutout in the installation gauge sits snug to the side of the rail, while the edge of the top tab aligns with the front edge of the desk top. The designed distance from the front edge of the top to the centerline of the rail is 6 5/8".

This side of the installation gauge can also be used to position the rails over pedestals and when connecting to Fence.

Application #2

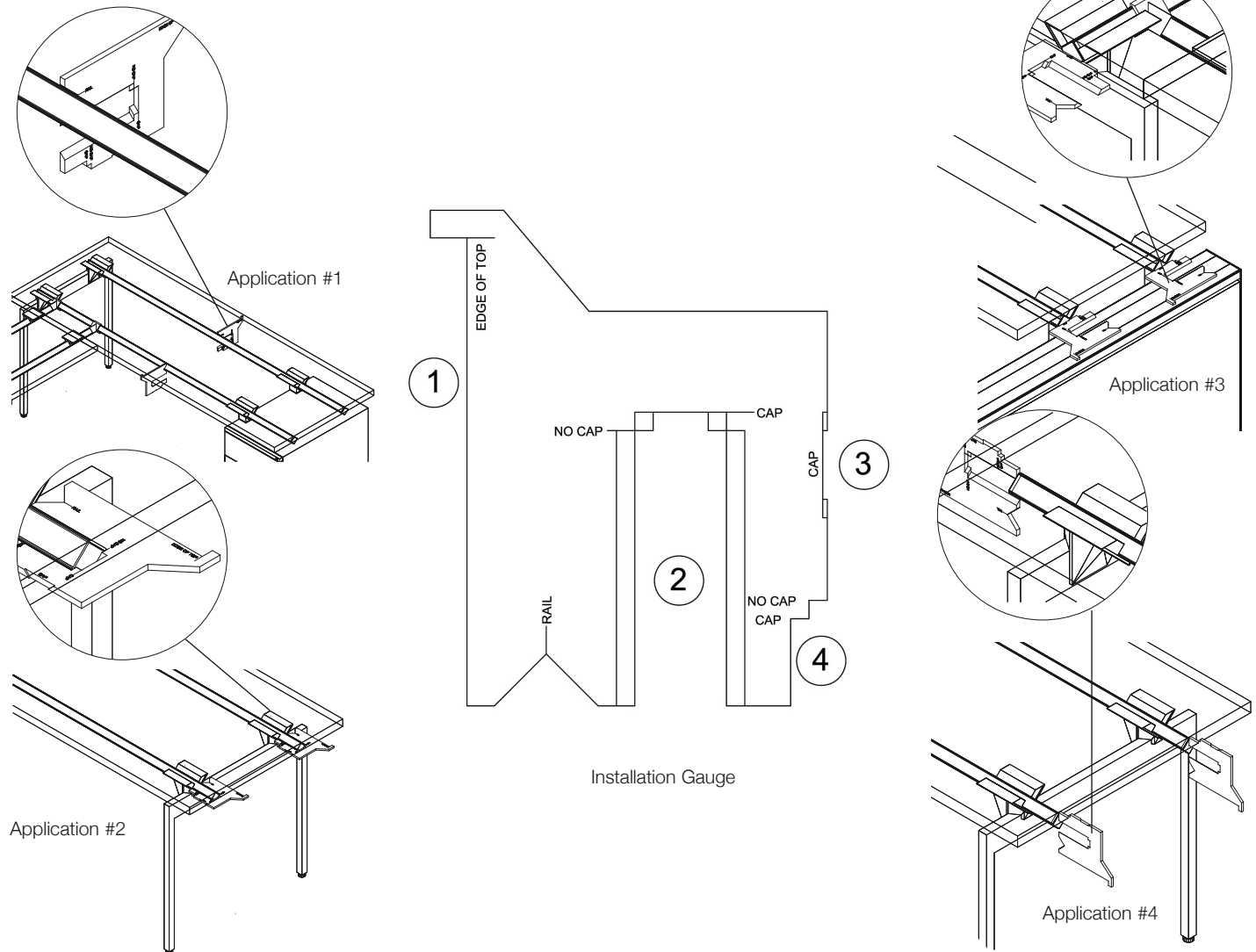
The installation gauge can also be used to position the desk end leg assemblies in the correction location in relation to the end of a rail. Desk end legs are designed to be inset 5 1/2" from the end of the desk top. In this application, the recessed part of the gauge sits up against the end of a rail (with or without the end cap) and the end of the gauge sits against the outside edge of the cradle. This can also be used for big table applications when extension tops or cabinets are not specified.

Application #3

The rail end cap is designed to sit proud of the cradle by approximately 1/16", so that the end of the rail and leg are 1 1/2" from the end of the top. The installation gauge is used to accurately space the outside of the rail end cap to the outside edge of the cradle. This must be used when the leg is placed 1 1/2" from the edge of the top, such as when a bridge or return is to be used to ensure the correct placement for the bridge or return rails.

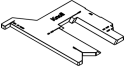

Application #4

The installation gauge can also be used to correctly position the top over the width of the rails. This will ensure that you have the desired 1 1/2" distance between the end of the rail (with no end cap) and the end edge of the top.



Sales and Installation Tools

Installation Gauge

description	type	pattern no.	list
Installation Gauge 	Package of 5	YBIG	\$28.
Desk Screen Drill Fixture 	Package of 5	YPSDF5	46.
Desk Screen Alignment Pin	Package of 10	YPSP10	85.

Desk and Table Support

Ordering Information	Order Code	Included With	Options
Legs for Dual Big Tables	Installation Gauge		
1. Pattern Number	<i>Example:</i> YBIG		
	YB Antenna		
	IG Installation Gauge		

Electrical Components for Antenna Desks and Big Tables

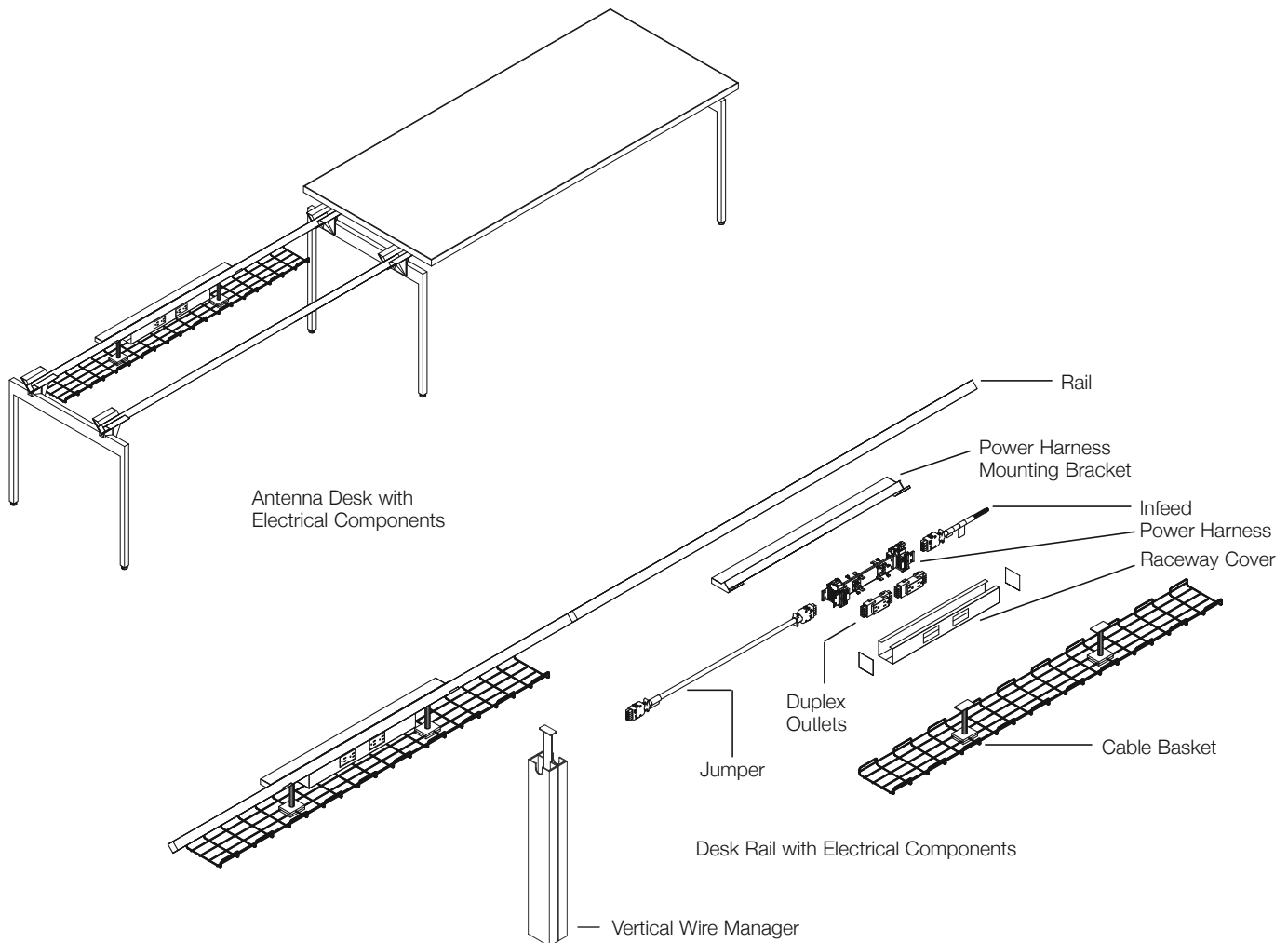
Antenna linked desks and big tables can be powered by a modular distribution system featuring standard Knoll 2+2 and 3+3 eight- and ten-wire power systems. From a single point of connection to the building power supply, Antenna raceway can distribute four or six 20-amp circuits. Depending on national and local electric codes, and the anticipated load of a particular application, each circuit may support as many as 10 or more duplex outlets.

The central component is the power harness, which can be mounted under desk rails or under the center beam of a big table, typically centered on a desk top width.

Under desks the harness is suspended from a power harness mounting bracket attached to either the front or back edge of a desk rail, typically 6" in from the back edge. Specify a power harness mounting bracket to match the width of harness and covers, or 12" wider to also attach cable baskets or data/communications outlet boxes. Under the big table, the harness can be suspended directly from the center beam.

The power harness accepts snap-in duplex outlets on each face, and is enclosed by steel raceway covers, specified separately. Each end of the harness has ports for two jumper cables, or a power infeed and a jumper cable. The power infeed connects power from a building junction box, and jumpers connect power from one harness to another, in either direction.

Power harnesses are available in two sizes: 12" wide, with two duplex outlet locations on each face, and 24" wide, with four outlet locations on each face. Duplex outlets must be specified separately to access one of the four or six circuits. Outlets for all circuits can be specified in black with white letters identifying circuits. Outlets for circuits X, Y, Z are also available in orange with black letters, or black with orange triangles and letters to designate protected circuits.



Corresponding raceway covers for 12" harness are 18" wide; covers for 24" harness are 30" wide. Raceway covers can be ordered in pairs that include two covers with openings or one cover without openings.

Jumper cables are available in various lengths up to 72" to link power between harnesses. To calculate the jumper width required to join between harnesses centered under the beam between big table tops, take the top width and subtract the harness width. Power harnesses planned next to each other, with immediately adjacent raceway covers, can be connected with the 7" jumper.

This enables big table tops to be served by more than four duplex outlets per position.

The same calculation is true for power harnesses under desks linked end to end: take the average of the two top widths and subtract the average of the harness widths. For desk to return power connections, take the average of the top and return widths, subtract the average of the harness widths, and add the depth of the primary top. Desk power jumper cables should be managed by cable clips for desk rails (YR1CC, set of 10).

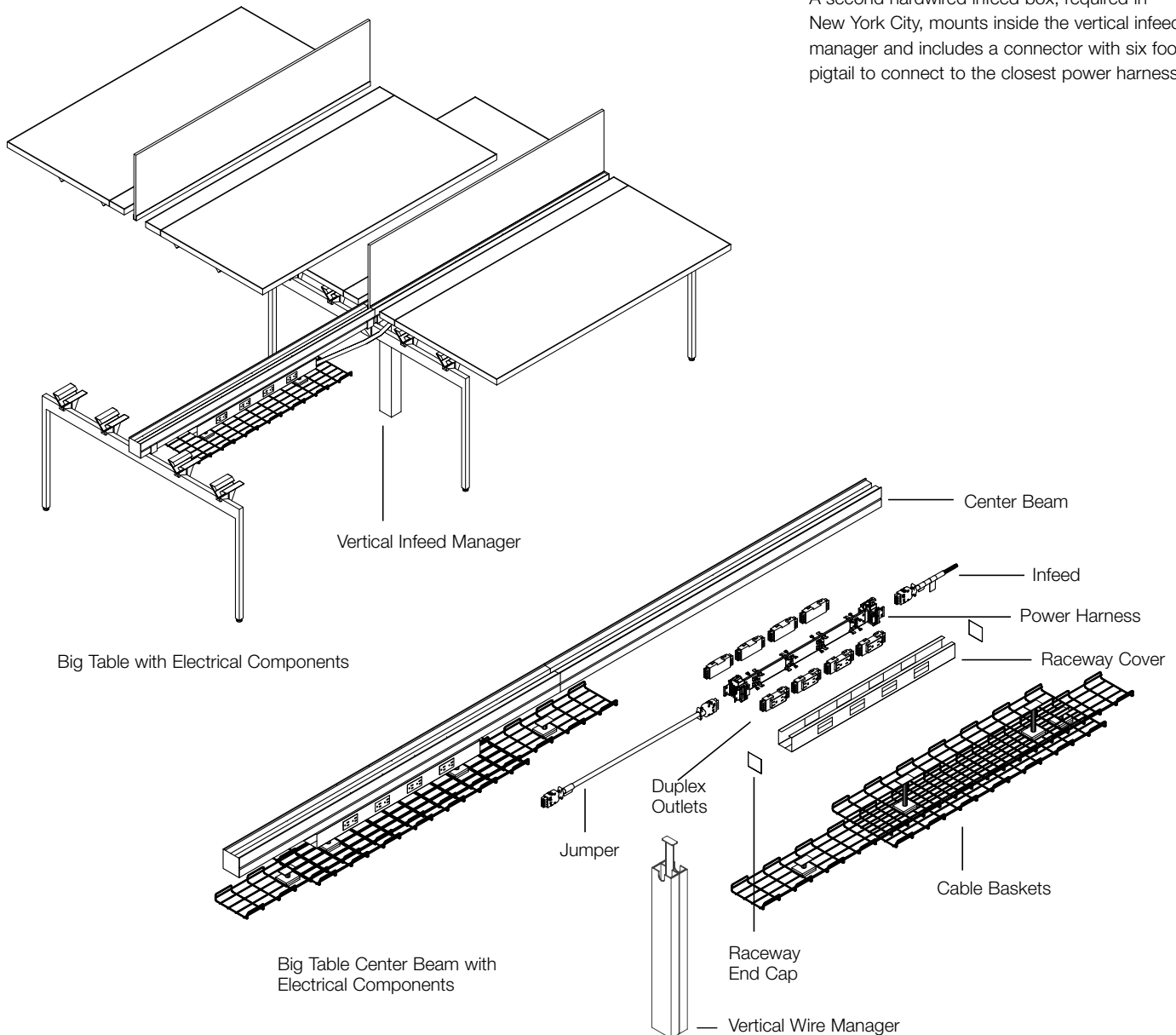
All tops including straight and 120 degree Antenna tops that are 48" wide or narrower only accept the 12" power harness.

To satisfy UL approval desks linked, power jumpers must be secured to each other by mechanical fasteners, such as a shared end leg, return connectors or top-to-top brackets.

Three types of power infeeds are available to connect the raceway from the building power supply. The modular infeed has a modular connector with a six foot pigtail to connect from a junction box in the floor or wall to a power harness.

A hardwired infeed box, required in New York City, mounts to a desk rail or Big Table center beam and includes a connector with six foot pigtail to connect to the closest power harness.

A second hardwired infeed box, required in New York City, mounts inside the vertical infeed manager and includes a connector with six foot pigtail to connect to the closest power harness.



Planning Guidelines for Electrical Components For Desks and Big Tables

Data and communication faceplates are housed in a communication mounting box or plate that is suspended from an extended power harness mounting bracket on either side of the power harness on a desk rail or the center beam of the big table.

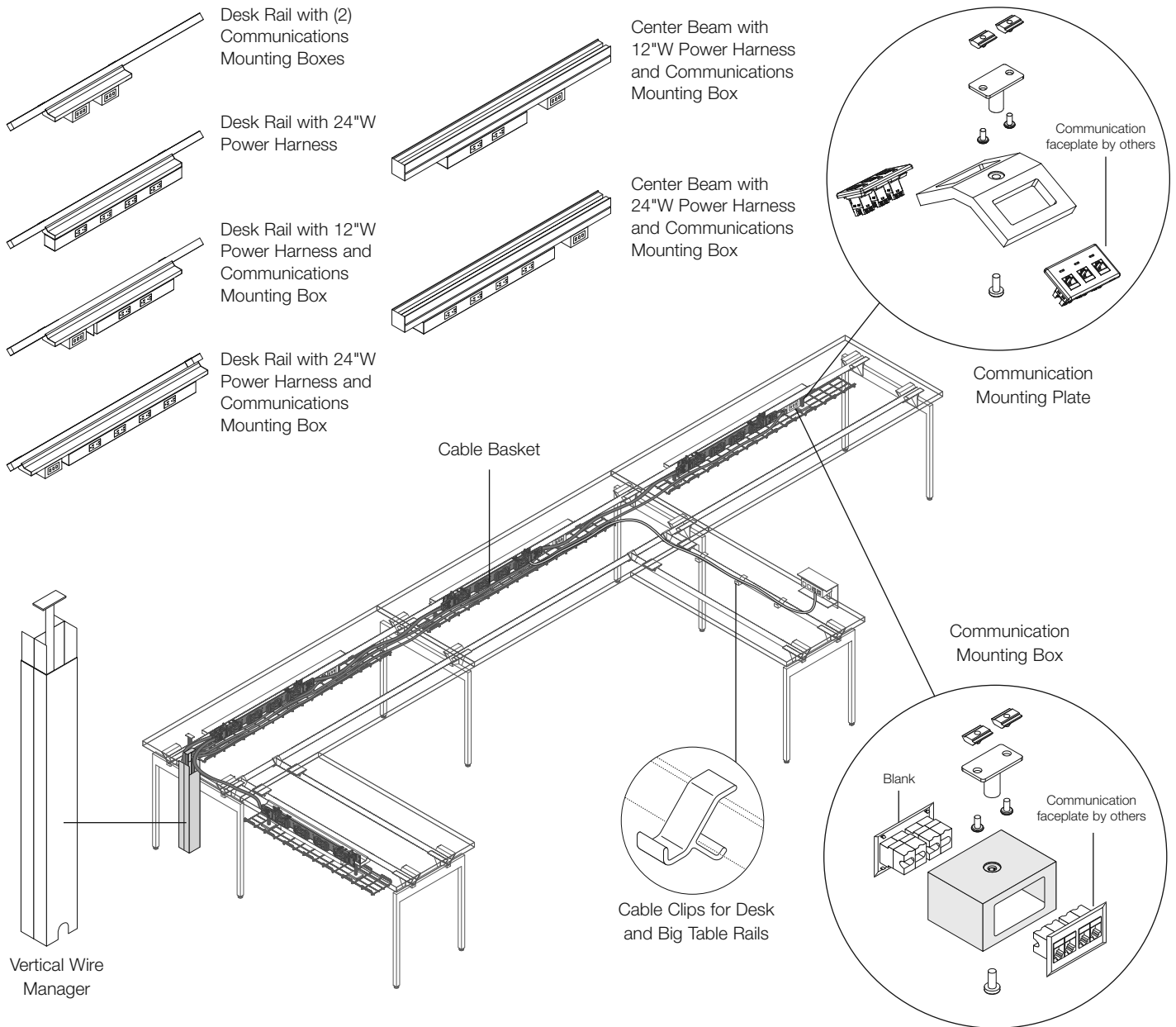
The mounting box has industry standard decora-size opening, 2.66" wide by 1.36" high with 0.094" radii corners, for outlets facing the inside or outside of the desk, and an opening underneath for cable supply.

The mounting plate also has industry standard decora-size openings, 2.66" wide by 1.36" high with 0.094" radii corners, for outlets facing vertical for easy access, and open underside for cable supply.

The PDC module extension kit is a set of ten collars that snap securely into an outlet opening in an Antenna communications mounting box or Fence outlets cover to project a new outlet mounting position 1/2" away from the face of the box or cover. This added depth can be crucial if communications connectors are unusually deep and are arrayed back to back in the mounting

box or Fence. Interior space between back to back communications faceplates is 3" in mounting box, or 3 7/8" in Fence applications. Extension Kit accepts most standard, decora-size communications faceplates. PDC module extension kit is injection molded black plastic.

Outlet fillers are a kit of ten plastic filler plates that flex to snap securely into any unused outlet opening in Antenna raceway covers, communications mounting box, or Fence outlets cover. Installed covers are designed to closely mimic the appearance of adjacent power outlets. Fillers are black injection molded plastic.



2+2

Four 20-amp circuits, 8 wire configuration with four hots (12 gauge), two neutrals (10 gauge, 35A rated), two grounds.

Power harness and outlet modules: steel enclosure between molded polypropylene distribution blocks, 8-wire.

Jumper cables: flexible steel conduit with strain relief, 8-wire

Outlets: molded polycarbonate duplex preconfigured as circuit A, B (black), X, Y (black, orange or black with orange triangle)

Infeed: watertight conduit with 6' whip or hardwire box mounted to desk rail, center beam or fence frame, 8-wire

Load should be balanced evenly among power circuits. In accordance with NEC2011 Article 210, the permissible load should not exceed 80% of the circuit ampere rating (which is 16 amps on each 20 amp branch circuit).

3+3

Six 20-amp circuits, 10 wire configuration with six hots (12 gauge), two neutrals (10 gauge, 35A rated), two grounds.

Power harness and outlet modules: steel enclosure between molded polypropylene distribution blocks, 10-wire.

Jumper cables: flexible steel conduit with strain relief, 10-wire

Outlets: molded polycarbonate duplex preconfigured as circuit A, B, C (black), X, Y, Z (black, orange or black with orange triangle)

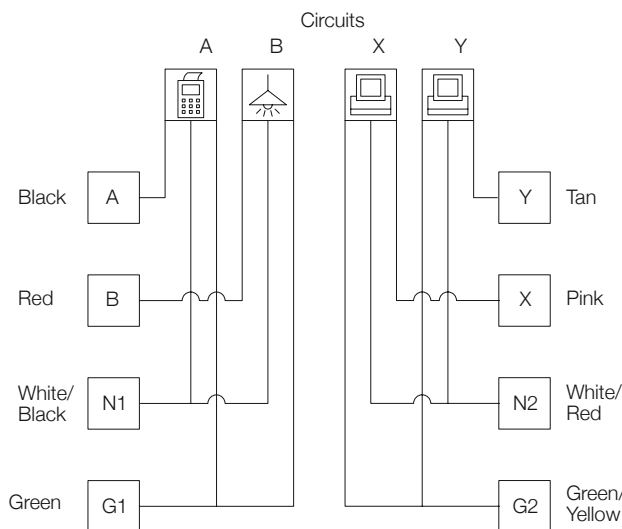
Infeed: watertight conduit with 6' whip or hardwire box mounted to desk rail, center beam or fence frame, 10-wire

Load should be balanced evenly among power circuits. In accordance with NEC2011 Article 210, the permissible load should not exceed 80% of the circuit ampere rating (which is 16 amps on each 20 amp branch circuit).

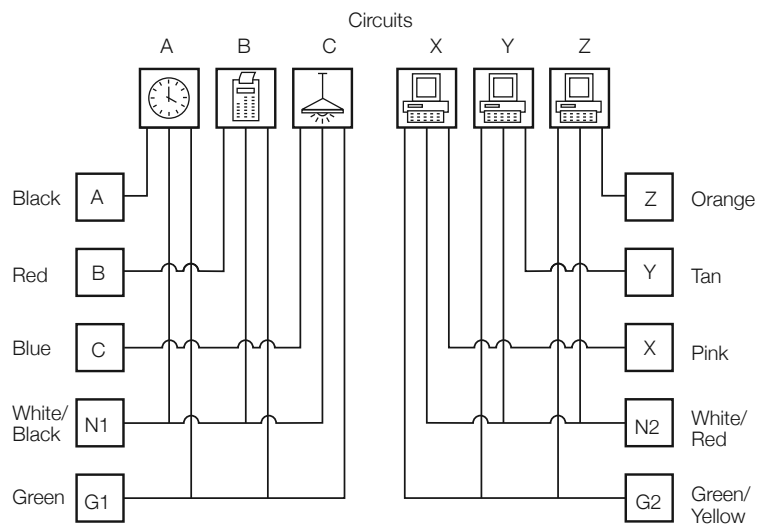
Antenna Workspaces is a listed product with U.L. in the QAWZ office furnishings category.

- File E76704 Volume 13, Section 1 (Furniture)
- File E76704 Volume 5, Section 5 (Electrical Accessories)

Wiring Diagram (2+2)

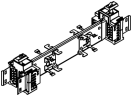
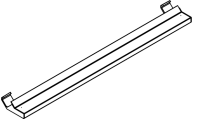
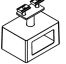

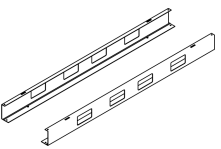


Wiring Diagram (3+3)



Electrical Components for Desks and Big Tables

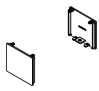
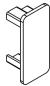
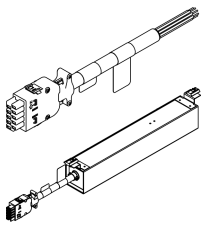
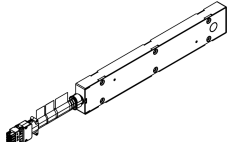
2+2, 3+3 and 4-4-2 Electrical Systems

description	type	width	depth	height	pattern no.	list
	2+2, (2) Duplex Outlets per Side	12"	2"	2"	YRPHE12	\$204.
	3+3, (2) Duplex Outlets per Side	12"	2"	2"	YRPHT12	231.
	4-4-2, (2) Duplex Outlets per Side	12"	2"	2"	YRPHX12	242.
	2+2, (4) Duplex Outlets per Side	24"	2"	2"	YRPHE24	370.
	3+3, (4) Duplex Outlets per Side	24"	2"	2"	YRPHT24	444.
	4-4-2, (4) Duplex Outlets per Side	24"	2"	2"	YRPHX24	466.
	For desk mounted 12" wide power harness and communications mounting box	30"	3"	3/4"	YRPHA30	103.
	For desk mounted 24" wide power harness	30"	3"	3/4"	YRPHA30	103.
	For desk mounted 24" wide power harness and communications mounting box	42"	3"	3/4"	YRPHA42	130.
	For desk mounted 12" wide power harness	18"	3"	3/4"	YRPHA18	78.
Communications Mounting Box	Below Desk or Big Table				YR1CMB	46.
						
Communications Mounting Plate	Below Desk or Big Table				YR1CMP	46.
						
PDC Module Extension Kit	Package of 10				YR1PDCX	167.
 <p>(shown 30")</p>	For 12" wide power harness, outlets both sides	18"	3"	3"	YR1C18D	111.
	For 12" wide power harness, outlets one side	18"	3"	3"	YR1C18S	111.
	For 24" wide power harness, outlets both sides	30"	3"	3"	YR1C30D	130.
	For 24" wide power harness, outlets one side	30"	3"	3"	YR1C30S	130.

Ordering Information	Order Code	Included With	Options
Electrical Components 1. Pattern Number	Electrical Components <hr/> <i>Example:</i> YRPHT12 <hr/> YRPHT Power Harness <hr/> 12 Width <hr/> Raceway Covers <hr/> <i>Example:</i> YRC18D, 118T <hr/> YRC Raceway Covers <hr/> 18 Width <hr/> D Outlets Both Sides <hr/> 118T Bright White Paint	Power Harness Center Beam Attachment Mounting Brackets Attachment Hardware Communication Mounting Box Attachment Hardware	Electrical Components
Mounting Brackets 1. Pattern Number 2. Paint Finish			
Raceway Covers/End Caps 1. Pattern Number 2. Paint Finish			
Communication Mounting Box 1. Pattern Number 2. Paint Finish			

Electrical Components for Desks and Big Tables

2+2, 3+3 and 4-4-2 Electrical Systems

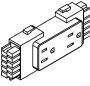
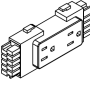
description	type	width	depth	height	pattern no.	list
Raceway End Cap	Package of 2	3/8"	3"	3"	YRCE	\$19.
						
Covers for Exposed End of Power Harness	Package of 10	1"	1"	2"	YR1CP	208.
						
Infeeds	2+2 Modular Base Infeed	85"	2 1/8"	2 3/8"	YR1EDPI	225.
	3+3 Modular Base Infeed	85"	2 1/8"	2 3/8"	YR1TDPI	261.
	4-4-2 Modular Base Infeed	85"	2 1/8"	2 3/8"	YR1XDPI	272.
	2+2 Hardwire Infeed for New York City	85"	2 1/8"	2 3/8"	YR1EPNY	495.
	3+3 Hardwire Infeed for New York City	85"	2 1/8"	2 3/8"	YR1TPNY	521.
	4-4-2 Hardwire Infeed for New York City	85"	2 1/8"	2 3/8"	YR1XPNY	548.
						
Vertical Infeeds	2+2 Hardwire Infeed for New York City Vertical Wire Manager	85"	1 1/8"	2 3/4"	YR1EVWMNY	699.
	3+3 Hardwire Infeed for New York City Vertical Wire Manager	85"	1 1/8"	2 3/4"	YR1TVWMNY	733.
	4-4-2 Hardwire Infeed for New York City Vertical Wire Manager	85"	1 1/8"	2 3/4"	YR1XVWMNY	772.
						

Power and Communications

Ordering Information	Order Code	Included With	Options
Electrical Components	Electrical Components	Power Harness	Electrical Components
1. Pattern Number	<i>Example:</i> YRPHT12	Center Beam Attachment	
Mounting Brackets	YRPHT Power Harness	Mounting Brackets	
1. Pattern Number	12 Width	Attachment Hardware	
2. Paint Finish	Raceway Covers	Communication Mounting Box	
Raceway Covers/End Caps	<i>Example:</i> YRC18D, 118T	Attachment Hardware	
1. Pattern Number	YRC Raceway Covers		
2. Paint Finish	18 Width		
Communication Mounting Box	D Outlets Both Sides		
1. Pattern Number	118T Bright White Paint		
2. Paint Finish			

Electrical Components for Desks and Big Tables

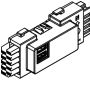

2+2, 3+3 and 4-4-2 Electrical Systems

description	type	width	depth	height	pattern no.	list
 Duplex Receptacles	Circuit A, black	1 1/2"	1"	4 1/2"	YR1DA	\$47.
	Circuit A, black with controlled symbol	1 1/2"	1"	4 1/2"	YR1DAC	47.
	Circuit B, black	1 1/2"	1"	4 1/2"	YR1DB	47.
	Circuit B, black with controlled symbol	1 1/2"	1"	4 1/2"	YR1DBC	47.
	Circuit C, black	1 1/2"	1"	4 1/2"	YR1DC	47.
	Circuit C, black with controlled symbol	1 1/2"	1"	4 1/2"	YR1DCC	47.
	Circuit X, black	1 1/2"	1"	4 1/2"	YR1DX	47.
	Circuit X, black with controlled symbol	1 1/2"	1"	4 1/2"	YR1DXC	47.
	Circuit X, black with orange triangle	1 1/2"	1"	4 1/2"	YR1DXT	47.
	Circuit X, orange with black triangle	1 1/2"	1"	4 1/2"	YR1DXO	47.
	Circuit Y, black	1 1/2"	1"	4 1/2"	YR1DY	47.
	Circuit Y, black with controlled symbol	1 1/2"	1"	4 1/2"	YR1DYC	47.
	Circuit Y, black with orange triangle	1 1/2"	1"	4 1/2"	YR1DYT	47.
	Circuit Y, orange with black triangle	1 1/2"	1"	4 1/2"	YR1DYO	47.
	Circuit Z, black	1 1/2"	1"	4 1/2"	YR1DZ	47.
	Circuit Z, black with controlled symbol	1 1/2"	1"	4 1/2"	YR1DZC	47.
Circuit Z, black with orange triangle	1 1/2"	1"	4 1/2"	YR1DZT	47.	
Circuit Z, orange with black triangle	1 1/2"	1"	4 1/2"	YR1DZO	47.	
 Duplex Receptacles for 4-4-2	Circuit 1, black	1 1/2"	1"	4 1/2"	YR1D1	49.
	Circuit 1, black with controlled symbol	1 1/2"	1"	4 1/2"	YR1D1C	49.
	Circuit 2, black	1 1/2"	1"	4 1/2"	YR1D2	49.
	Circuit 2, black with controlled symbol	1 1/2"	1"	4 1/2"	YR1D2C	49.
	Circuit 3, black	1 1/2"	1"	4 1/2"	YR1D3	49.
	Circuit 3, black with controlled symbol	1 1/2"	1"	4 1/2"	YR1D3C	49.
	Circuit 3, orange with black triangle	1 1/2"	1"	4 1/2"	YR1D3O	49.
	Circuit 4, black	1 1/2"	1"	4 1/2"	YR1D4	49.
	Circuit 4, black with controlled symbol	1 1/2"	1"	4 1/2"	YR1D4C	49.
	Circuit 4, orange with black triangle	1 1/2"	1"	4 1/2"	YR1D4O	49.

Ordering Information	Order Code	Included With	Options
Electrical Components 1. Pattern Number	Electrical Components <i>Example:</i> YRPHT12	Power Harness Center Beam Attachment	Electrical Components
Mounting Brackets 1. Pattern Number 2. Paint Finish	YRPHT Power Harness 12 Width	Mounting Brackets Attachment Hardware	
Raceway Covers/End Caps 1. Pattern Number 2. Paint Finish	Raceway Covers <i>Example:</i> YRC18D, 118T YRC Raceway Covers 18 Width	Communication Mounting Box Attachment Hardware	
Communication Mounting Box 1. Pattern Number 2. Paint Finish	D Outlets Both Sides 118T Bright White Paint		

Electrical Components for Desks and Big Tables

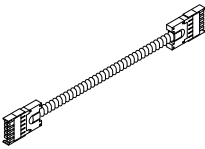
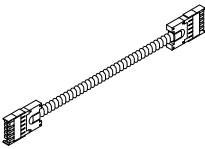
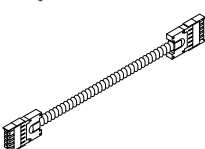
2+2, 3+3 and 4-4-2 Electrical Systems

description	type	width	depth	height	pattern no.	list
 USB Duplex	Circuit A, black	1 1/2"	1"	4 1/2"	YR1USBA	\$205.
	Circuit B, black	1 1/2"	1"	4 1/2"	YR1USBB	205.
	Circuit C, black	1 1/2"	1"	4 1/2"	YR1USBC	205.
	Circuit X, black	1 1/2"	1"	4 1/2"	YR1USBX	205.
	Circuit Y, black	1 1/2"	1"	4 1/2"	YR1USBY	205.
	Circuit Z, black	1 1/2"	1"	4 1/2"	YR1USBZ	205.
 Outlet Fillers	Package of 10	1 1/4"	1/4"	2 1/2"	YROF	41.

Ordering Information	Order Code	Included With	Options
Electrical Components 1. Pattern Number	Electrical Components <i>Example:</i> YRPHT12	Power Harness Center Beam Attachment	Electrical Components
Mounting Brackets 1. Pattern Number 2. Paint Finish	YRPHT Power Harness 12 Width	Mounting Brackets Attachment Hardware	
Raceway Covers/End Caps 1. Pattern Number 2. Paint Finish	Raceway Covers <i>Example:</i> YRC18D, 118T YRC Raceway Covers 18 Width	Communication Mounting Box Attachment Hardware	
Communication Mounting Box 1. Pattern Number 2. Paint Finish	D Outlets Both Sides 118T Bright White Paint		

Electrical Components for Desks and Big Tables

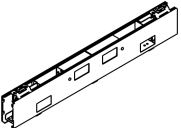
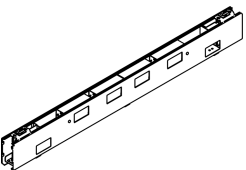

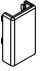
2+2, 3+3 and 4-4-2 Electrical Systems

description	type	w	d	h	pattern no.	list	
 <p>Jumper Cable, 2+2</p>	For 12" between power harnesses	12"	1"	1"	YR1EJ12	\$119.	
	For 18" between power harnesses	18"	1"	1"	YR1EJ18	128.	
	For 24" between power harnesses	24"	1"	1"	YR1EJ24	135.	
	For 30" between power harnesses	30"	1"	1"	YR1EJ30	145.	
	For 36" between power harnesses	36"	1"	1"	YR1EJ36	153.	
	For 42" between power harnesses	42"	1"	1"	YR1EJ42	168.	
	For 48" between power harnesses	48"	1"	1"	YR1EJ48	177.	
	For 54" between power harnesses	54"	1"	1"	YR1EJ54	183.	
	For 60" between power harnesses	60"	1"	1"	YR1EJ60	196.	
	For 66" between power harnesses	66"	1"	1"	YR1EJ66	204.	
	For 72" between power harnesses	72"	1"	1"	YR1EJ72	213.	
 <p>Jumper Cable, 3+3</p>	For 12" between power harnesses	12"	1"	1"	YR1TJ12	153.	
	For 18" between power harnesses	18"	1"	1"	YR1TJ18	166.	
	For 24" between power harnesses	24"	1"	1"	YR1TJ24	177.	
	For 30" between power harnesses	30"	1"	1"	YR1TJ30	186.	
	For 36" between power harnesses	36"	1"	1"	YR1TJ36	200.	
	For adjacent power harnesses	7"	1"	1"	YR1TJ7	203.	
	For 42" between power harnesses	42"	1"	1"	YR1TJ42	219.	
	For 48" between power harnesses	48"	1"	1"	YR1TJ48	229.	
	For 54" between power harnesses	54"	1"	1"	YR1TJ54	236.	
	For 60" between power harnesses	60"	1"	1"	YR1TJ60	254.	
	For 66" between power harnesses	66"	1"	1"	YR1TJ66	265.	
		For 72" between power harnesses	72"	1"	1"	YR1TJ72	276.
	 <p>Jumper Cable, 4-4-2</p>	For 12" between power harnesses	12"	1"	1"	YR1XJ12	160.
For 18" between power harnesses		18"	1"	1"	YR1XJ18	175.	
For 24" between power harnesses		24"	1"	1"	YR1XJ24	185.	
For 30" between power harnesses		30"	1"	1"	YR1XJ30	197.	
For 36" between power harnesses		36"	1"	1"	YR1XJ36	211.	
For adjacent power harnesses		7"	1"	1"	YR1XJ7	212.	
For 42" between power harnesses		42"	1"	1"	YR1XJ42	229.	
For 48" between power harnesses		48"	1"	1"	YR1XJ48	240.	
For 54" between power harnesses		54"	1"	1"	YR1XJ54	251.	
For 60" between power harnesses		60"	1"	1"	YR1XJ60	266.	
For 66" between power harnesses		66"	1"	1"	YR1XJ66	277.	
		For 72" between power harnesses	72"	1"	1"	YR1XJ72	290.

Ordering Information	Order Code	Included With	Options
Electrical Components	Electrical Components	Power Harness	Electrical Components
1. Pattern Number	<i>Example:</i> YRPHT12	Center Beam Attachment	
Mounting Brackets	YRPHT Power Harness	Mounting Brackets	
1. Pattern Number	12 Width	Attachment Hardware	
2. Paint Finish	Raceway Covers	Communication Mounting Box	
Raceway Covers/End Caps	<i>Example:</i> YRC18D, 118T	Attachment Hardware	
1. Pattern Number	YRC Raceway Covers		
2. Paint Finish	18 Width		
Communication Mounting Box	D Outlets Both Sides		
1. Pattern Number	118T Bright White Paint		
2. Paint Finish			

Hardwire Raceway

For Big Tables

description	type	w	d	h	pattern no.	list
Dual Hardwire Raceway, 30"	(2) Duplex cutouts per side (2) Data cutouts per side	30"	2"	4"	YR1H30D	\$975.
						
Dual Hardwire Raceway, 42"	(4) Duplex cutouts per side (2) Data cutouts per side	42"	2"	4"	YR1H424D	1,350.
						
Flat end cover					YR1HFE	135.
						
Extended end cover					YR1HEE	32.
						

Ordering Information	Order Code	Included With	Options
Hardwire Raceway	Hardwire Raceway		
1. Pattern Number	<i>Example:</i> YR1H30D		
	YR1 Antenna		
	H Hardwire		
	30 Width		
	D 2 Data knockouts		

Surface Mounted Plugmold Raceway

Planning Guidelines and Specifications

Plugmold raceway for Antenna Workspaces is a hardwired raceway solution for linked desk and big table planning applications.

Plugmold houses six simplex outlets on one face and is available in either one circuit (3-wire) or two circuit (4-wire) configurations. Plugmold with one circuit may be appropriate for one or two linked desks; Plugmold with two circuits is appropriate for multiple desks or Big Table applications.

Plugmold is a two part channel, including an extruded aluminum back that screws to a mounting bracket that is suspended from a center beam or power harness mounting

bracket. The snap on face cover has an anodized aluminum finish with cutouts to accommodate eight simplex outlets. The plugmold raceway is 36" wide, 1 1/2" high and 1 1/8" deep. It includes blank ends and ends with fittings to link power to additional raceways or building power supply.

The mounting bracket is 36 1/2" wide U-shape folded steel that attaches to the underside of a big table center beam or power harness mounting bracket to support Plugmold on one or both faces. The hollow inside bracket conceals sheet metal screw fasteners for Plugmold on either side.

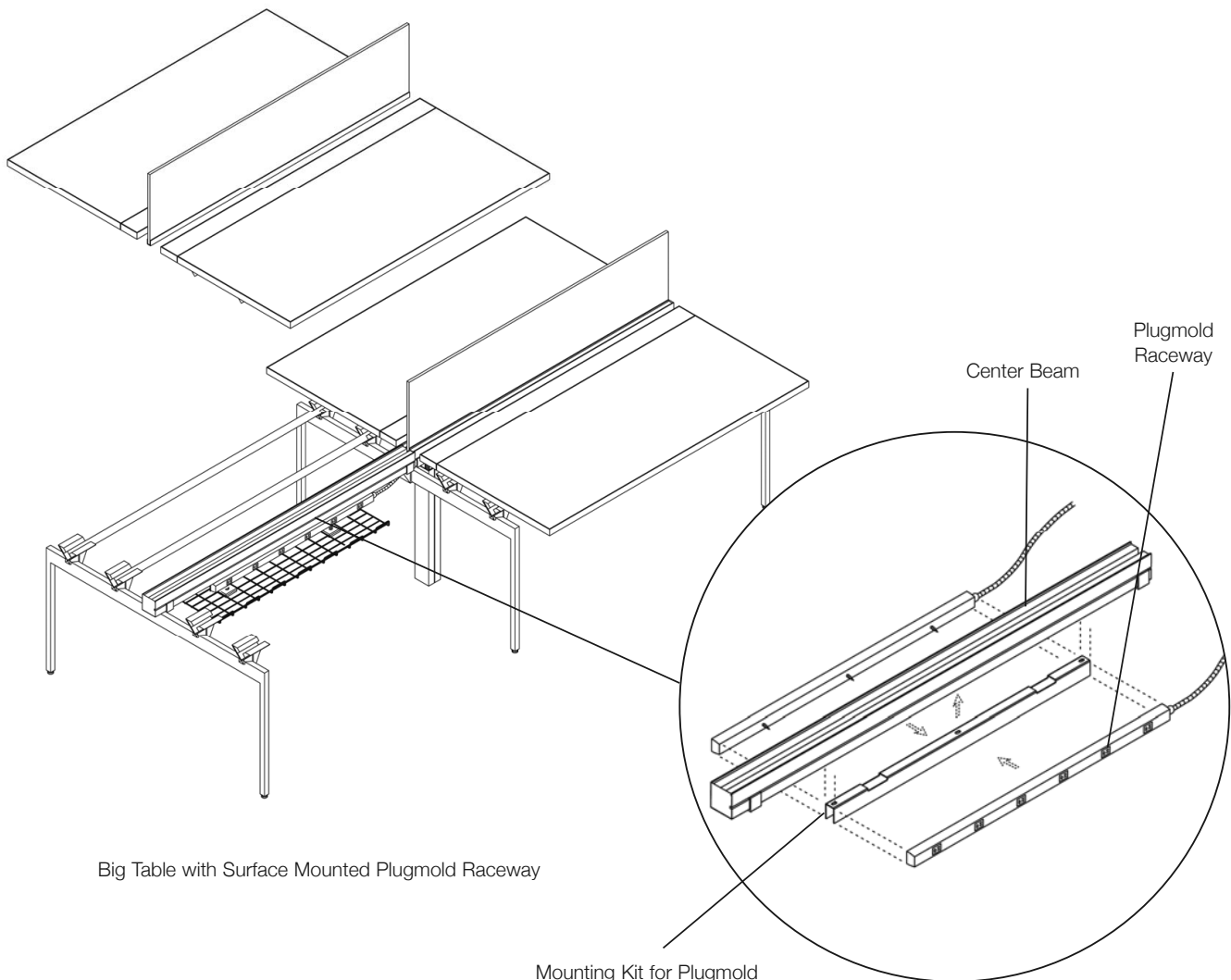
Plugmold raceway is a UL-listed surface mounted Wiremold 2000 raceway and when installed and configured by a licensed electrician it meets the requirements for City of Chicago.

Construction

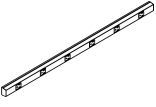
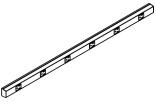
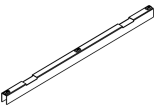
Plugmold raceway is extruded aluminum back plate and cover, steel end covers and extruded aluminum cable exits. Mounting bracket is painted steel.

Specification Options

Plugmold raceways have a clear anodized aluminum finish. Mounting brackets are painted in any Core paint finish.



Surface Mounted Plugmold Raceway For Desks and Big Tables

description	type	w	d	h	pattern no.	list
 Plugmold, Single Circuit	3-Wire, Grey Outlets	36"	1 1/8"	1 1/2"	YRPM361	\$790.
 Plugmold, Two Circuit	4-Wire, Grey Outlets	36"	1 1/8"	1 1/2"	YRPM362	932.
 Mounting Kit for Plugmold	For Desks and Big Tables				YRPMK	140.

Ordering Information	Order Code	Included With	Options
Electrical Components	Plugmold	Plug Mold	Electrical Components
1. Pattern Number	<i>Example: YRPM361</i> YR Electrical Component PM Plug Mold 38 Width 1 Single Circuit	Mounting Kit Attachment brackets Hardware	
	Mounting Kit <i>Example: YRPMK</i> YR Electrical Component PM Plug Mold K Kit		

Desktop Outlet Center

Planning Guidelines and Specifications

The Antenna Desktop Power Center combines desktop outlets for power data and communications in any Antenna plan and is the ideal solution for independent desks.

The desk mount bracket conceals cables behind and below the desk and incorporates a shelf for small electronics above.

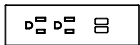
Desktop Power Center is available in three configurations: three simplex outlet positions (two power and one dual USB) or four outlets (two power and two data) or five outlets (three power, one dual USB and one data). The hardwired outlet module comes with outlets and is wired with conduit and pigtail ready to hardwire direction into a junction box. The hardwire desktop outlet center is UL listed and meets the requirements of the City of Chicago if installed by a licensed electrician. The desktop outlet with 108" power cord includes an over current protection plug head that meets the requirements of the City of Chicago for use on height-adjustable tables.

Desktop Power Center is powered by a 6' or 10' cordset that can connect to an Antenna raceway outlet or directly to a building outlet, or may be hardwired to building power junction box.

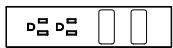
Power centers include adapters for various common communication outlets by others. Rectangular opening in base of power center enables cables to supply outlets from cable tray or cable clips under desktop.

Specification Options

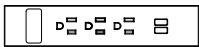
Desktop Power Centers are available in black or white. The power cord matches the color selected. Specify the power shroud in any Knoll core paint finish, or Antenna Dark Red and Slate Blue.



2 Power + 1 Dual USB




2 Power + 2 Data

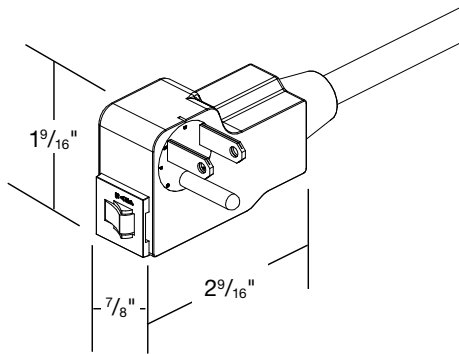


3 Power + 1 Dual USB + 1 Data

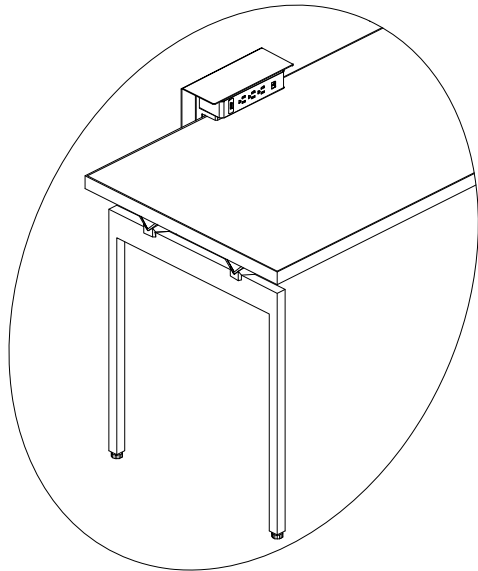
 Power (simplex receptacle)

 Data (blank opening)

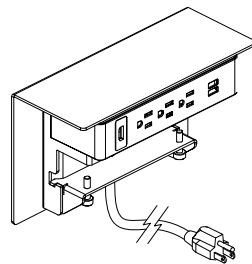
 Dual USB (for charging)



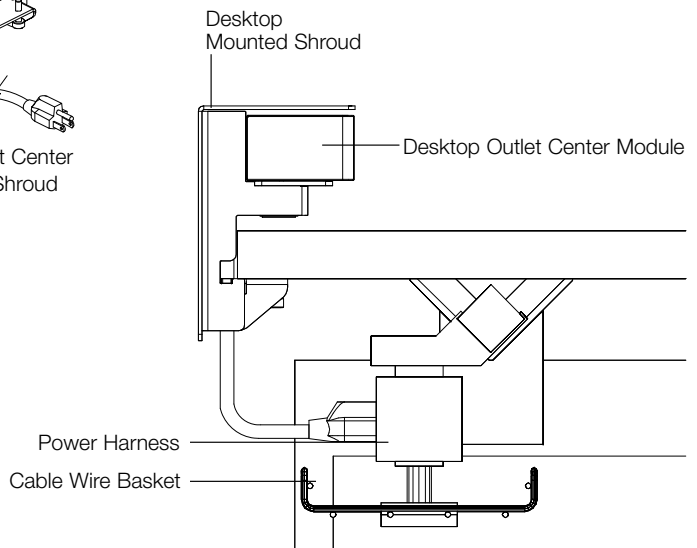
Over Current Protection Plug Head



Antenna Desk with Desktop Outlet Center with Power Shroud



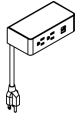
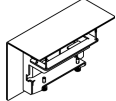
Desktop Outlet Center with Power Shroud



Desktop Outlet Center with Power Shroud Elevation Detail

Desktop Outlet Center

Three, Four or Five Positions

description	type	w	d	h	pattern no.	list
 Desktop Outlet Center	3 Positions (2 Power, 1 Dual USB), Hardwire				YR2DOC32UH(B/W)	\$628.
	3 Positions (2 Power, 1 Dual USB), 108" OCP Cordset				YR2DOC32U108(B/W)	623.
	3 Positions (2 Power, 1 Dual USB), 120" Cordset				YR2DOC32U120(B/W)	580.
	3 Positions (2 Power, 1 Dual USB), 72" Cordset				YR2DOC32U72(B/W)	554.
	4 Positions (2 Power, 2 Data), 108" OCP Cordset				YR2DOC422108(B/W)	438.
	4 Positions (2 Power, 2 Data), 120" Cordset				YR2DOC422120(B/W)	396.
	4 Positions (2 Power, 2 Data), 72" Cordset				YR2DOC42272(B/W)	374.
	4 Positions (2 Power, 2 Data), Hardwire				YR2DOC422H(B/W)	443.
	5 Positions (3 Power, 1 Dual USB and 1 Data), 108" Cordset				YR2DOC53U1108(B/W)	702.
	5 Positions (3 Power, 1 Dual USB and 1 Data), 120" Cordset				YR2DOC53U1120(B/W)	659.
	5 Positions (3 Power, 1 Dual USB and 1 Data), 72" Cordset				YR2DOC53U172(B/W)	644.
	5 Positions (3 Power, 1 Dual USB and 1 Data), Hardwire				YR2DOC53U1H(B/W)	707.
 Desk Mount Outlet Center Shroud	For 3 Position Desktop Outlet Center	7 1/2"	4"	6 1/8"	YR2DM3	264.
	For 4 Position Desktop Outlet Center	8 3/4"	4"	6 1/8"	YR2DM4	264.
	For 5 Position Desktop Outlet Center	10"	4"	6 1/8"	YR2DM5	264.

Ordering Information	Order Code	Included With	Options
Desktop Outlet Center 1. Pattern Number	Desktop Outlet Center <i>Example:</i> YR2DOC53U172, B YR1DOC Desktop Outlet Center 5 Positions 3 Power U Dual USB 1 Data 72 72" Cordset B Black	Desktop Outlet Center Desk Mount Shroud Attachment Hardware	Desktop Outlet Center B = Black W = White Desk Mount Shroud
Desk Mount Shroud 1. Pattern Number 2. Paint Finish	Desk Mount Shroud <i>Example:</i> YR2DM5, 118T YR1DM Desk Shroud 5 Positions 118T Bright White Paint		

Cable Management

Cable Clips and Vertical Wire Manager

Planning Guidelines and Specifications

Cable Clips for Desk and Big Table Rails

Cable management is available for directly under the top of a desk or big table by using a molded plastic clip that snaps onto a rail. This clip provides management for one or two cables to keep them from hanging below the top. Cable clips for rails are useful for managing power cords for electronic devices.

Cable Clips for Big Table Center Beam

Cable clips for Big Table center beam snap into underside of the beam to manage power cables or small bundles of communications cables. Cable clips for center beam could be useful for managing a jumper cable "passing through" a big table position without a power harness.

Cable Clips for Fence

Cable Clips for Fence snap into the face of studs in the Fence frame to manage small bundles of cables in the unobstructed 1" wide x 6 1/2" high lay-in cabling space

between studs and the inside surface of Fence covers. Four cable clips, each holding up to 14 communications cables, snap into predrilled mounting locations between Fence cover mounting brackets at each of the four cover locations on the frame. As studs are located every 12" along the length of a run of Fence frames, a typical spec might include 40 clips per frame (8 clips per foot) for maximum wire management at the lower 9" level. An integral living hinge detail enables a locking feature to hold cables within the rectangular clips.

Vertical Wire Manager

For desks and big tables, cables can be managed from the floor up to the cable basket by a vertical wire manager. The H-shape internal frame is suspended from the desktop or adapter bracket, and provides lay-in channels separating power from data communication cables. U-shape side covers

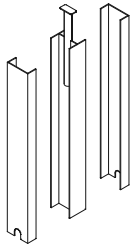
snap onto the frame to manage and conceal cables. Side covers have a "mousehole" shape cutout that can be positioned at the floor level to ease the bend radius of cables entering the bottom of the vertical wire manager.

Construction

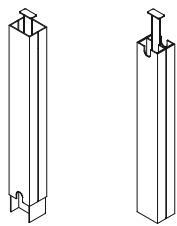
Cable clips are injection molded plastic. Vertical wire manager frames and covers are formed steel.

Specification Options

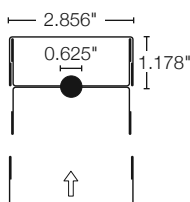
Cable clips for big table center beam and rails are grey. Cable clips for Fence are black. Vertical wire managers may be specified in any Core paint finish.



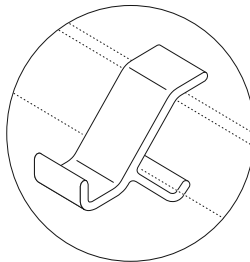
Vertical Wire Manager
Exploded Detail



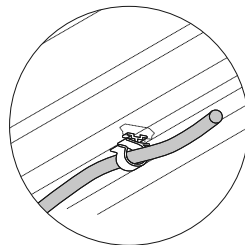
Vertical Wire Manager
Assembly Options



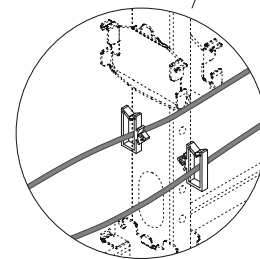
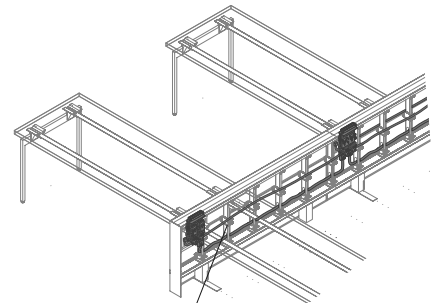
Plan View of Vertical Wire Manager



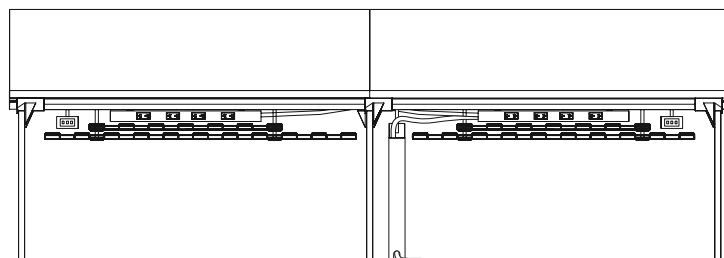
Cable Clips for Desk
and Big Table Rails



Cable Clip for Big
Table Center Beam



Cable Clips for Fence Wall Studs



Big Table with Vertical Wire Manager Elevation

Cable Management

Cable Baskets

Planning Guidelines and Specifications

Cable Baskets

Cable baskets are available to manage both excess power cords under power harnesses, and for data/communications cable distribution.

For desks, a single upper cable basket that is 69" wide, 6" deep and 1" high can be specified for attachment to the power harness mounting bracket located at the back of a desk top. Specify mounting bracket 12" wider than the power harness, so there is room to attach cable basket hangers to mounting bracket. Baskets can be trimmed in length to fit between desk

legs or between desk legs and storage.

For big tables, upper and lower cable baskets are available. A 12" deep, 1" high upper cable basket manages power cords directly below the power harness. Upper cable baskets are available in a 27" width that corresponds to the 12" wide harness, a 39" width for the 24" wide harness, and 69" wide by either 6" or 12" deep. For standing height big table, a 69" x 6" basket is available with 7" deep mounting brackets to clear leg braces. Lower cable baskets 69" long and either 6" or 12" deep manage data/

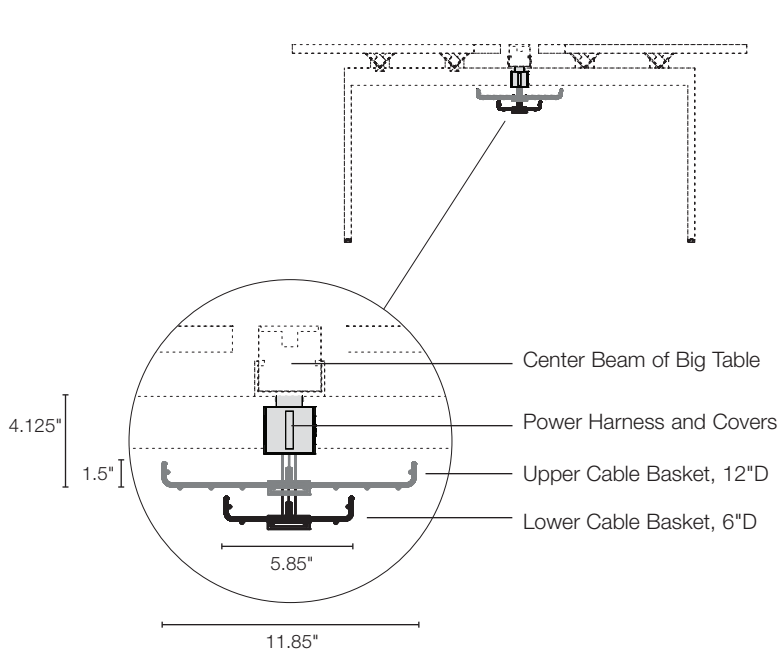
communications distribution for the width of the big table. Cable baskets and mounting hardware can also be specified separately. Cable baskets can be trimmed to the appropriate length onsite.

Construction

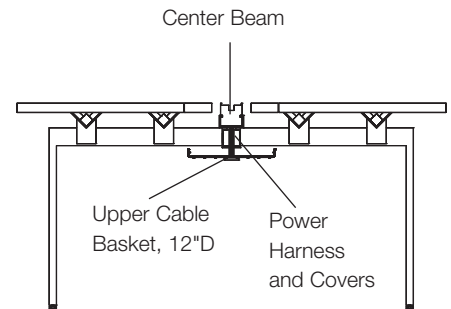
Cable baskets are painted wire.

Specification Options

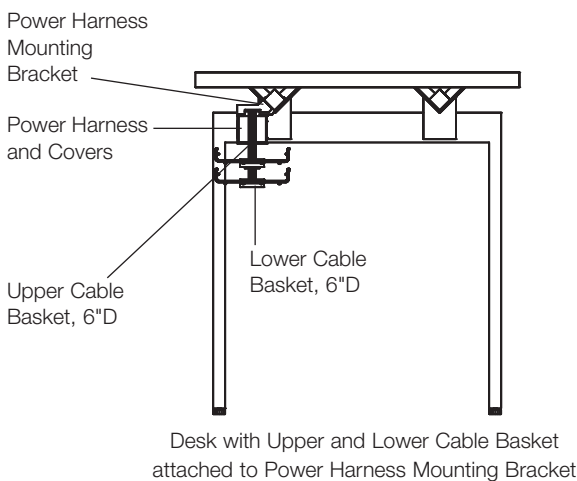
Cable baskets are painted medium grey.



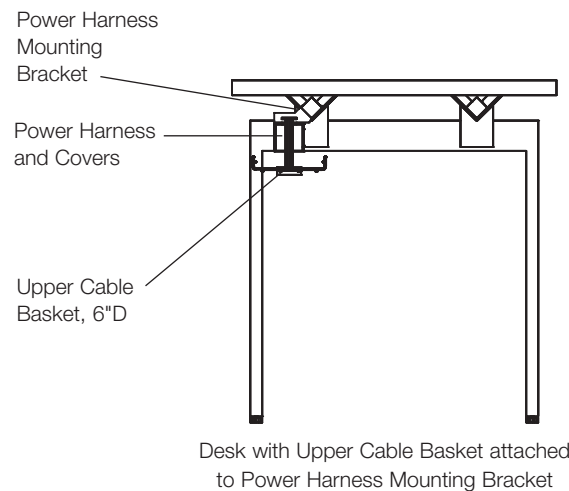
Big Table with Cable Baskets End Elevation Detail



Big Table with Upper Cable Basket Attached to Center Beam



Desk with Upper and Lower Cable Basket attached to Power Harness Mounting Bracket



Desk with Upper Cable Basket attached to Power Harness Mounting Bracket

Cable Management

Cable Basket Attachment Kits

Planning Guidelines and Specifications

Lower Cable Basket Mount Kit

Lower cable basket mount kits can be used to attach a cable basket underneath another cable basket. This may be necessary when a cable basket is cut in half or when converting an upper cable basket into a lower cable basket. The mounting kit provides two brackets with hardware that can be used with any depth cable basket.

Cable Basket Extension Kit

Cable basket extension kits can be used to increase the space above or between baskets by 1 3/4". The extension kit can be specified in combination with either upper level or lower level cable baskets. Standard upper level basket hangers are 4" high, lower level baskets are suspended 1 3/8".

Cable Basket Extra Mount Kit

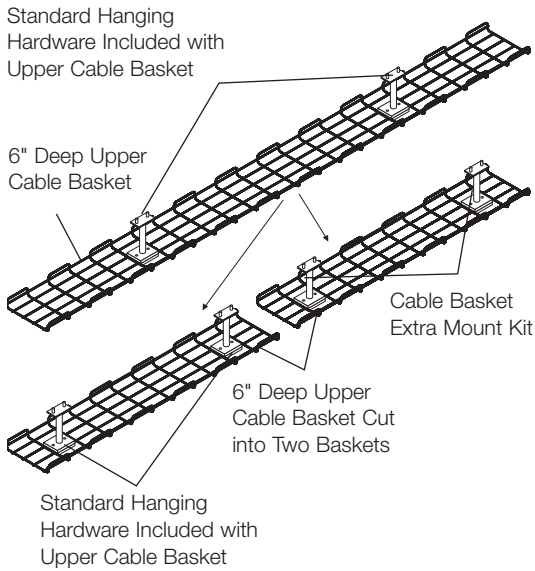
When a single cable basket is cut into two smaller baskets, a cable basket extra mount kit should be specified. This mounting kit provides the additional hardware necessary for both baskets to be attached to either the center beam or the power harness mounting bracket. Extra mount kit is available in 4" length for desk height and 7" length for standing height applications.

Construction

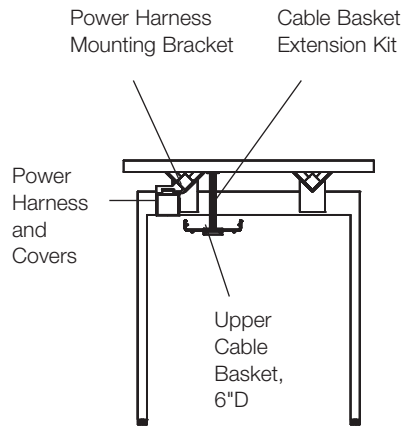
Cable basket attachment kits are painted steel.

Specification Options

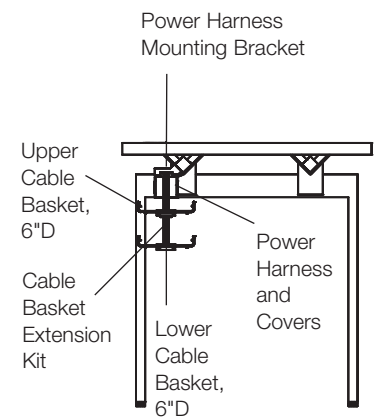
Cable basket attachment kits are painted medium grey.



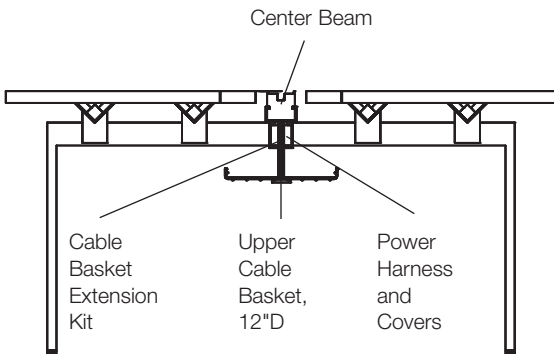
Cable Basket Extra Mount Kit Application



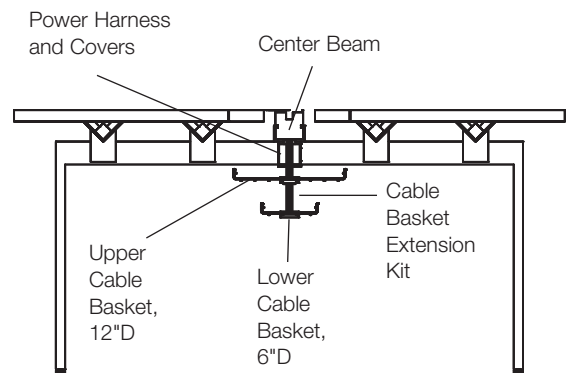
Desk with Upper Cable Basket attached to Top with Cable Basket Extension Kit



Desk with Upper and Lower Cable Baskets attached to Power Harness Mounting Bracket with Cable Basket Extension kit for 3" between baskets



Big Table with Upper Cable Basket attached to Center Beam with Cable Basket Extension Kit







Big Table with Upper and Lower Cable Baskets attached to Center Beam with Cable Basket Extension Kit

Cable Management

For Desks and Big Tables

Cable Clips, Cable Baskets and Vertical Infeed/Wire Manager

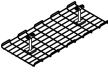
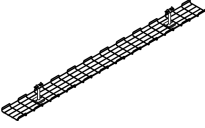
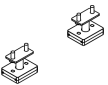
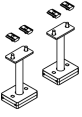
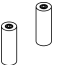
description	type	w	d	h	pattern no.	list
Cable Clips for Desk and Big Table Rails 	Package of 10	3/4"	1 1/2"	1"	YR1CC	\$67.
Cable Clips for Big Table Center Beam 	Package of 50				YR1BCC50	308.
Cable Clips for Wall Studs 	Package of 100	1/4"	1/2"	1 1/2"	YR1PCC100	96.
Beam Cable Manager (set of 10) 	Attaches to edge of center beam	1 1/8"	1 1/4"	2 1/2"	YR1BCM10	78.

Ordering Information	Order Code	Included With	Options
Cable Clips	Cable Clips	Cable Clips	Cable Clips
1. Pattern Number	<i>Example:</i> YR1CC	Cable Basket	Cable Basket
Cable Basket	YR1CC Cable Clips	Attachment Hardware	Vertical Infeed/Wire Manager
1. Pattern Number	Vertical Infeed/Wire Manager	Cable Basket Extension Mount Kit	
Vertical Infeed/Wire Manager	<i>Example:</i> YR1VWM, 323	Attachment Hardware	
1. Pattern Number	YR1VWM Vertical Infeed/Wire Manager	Cable Basket Extra Mount Kit	
2. Paint Finish	118T Bright White Paint	Attachment Hardware Plates	
		Vertical Infeed/Wire Manager	
		Attachment Hardware	

Cable Management

For Desks and Big Tables

Cable Clips, Cable Baskets and Vertical Infeed/Wire Manager


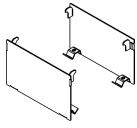
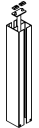
description	type	w	d	h	pattern no.	list
 Upper Cable Baskets (12" D Shown)	27" x 12" with 4"H mount	27"	12"	1"	YR1CB2712B	\$149.
	39" x 12" with 4"H mount	39"	12"	1"	YR1CB3912B	177.
	69" x 12" with 4"H mount	69"	12"	1"	YR1CB6912B	267.
	69" x 6" with 4"H mount	69"	6"	1"	YR1CB6906B	182.
Upper Cable Baskets for standing height table	69" x 6" with 7"H mount	69"	6"	1"	YR1CB6906S	234.
 Lower Cable Baskets (6" D Shown)	Attaches Below Upper Cable Basket	69"	12"	1"	YR1CB6912H	248.
	Attaches Below Upper Cable Basket	69"	6"	1"	YR1CB6906H	163.
Basket without mount	Specify mounting hardware sepearately	69"	6"	1"	YR1CB6906N	104.
 Lower Cable Basket Mount Kit	Used to Attach Lower Cable Basket to Upper Cable Basket			1 3/8"	YR1CBH	59.
 Cable Basket Extra Mount Kit	For desk height			4"	YR1CBB4	78.
	For standing height			7"	YR1CBB7	127.
 Cable Basket Extension Kit	Used to Extend Hang of Cable Basket			1 3/4"	YR1CBX2	20.

Ordering Information	Order Code	Included With	Options
Cable Clips	Cable Clips	Cable Clips	Cable Clips
1. Pattern Number	<i>Example:</i> YR1CC	Cable Basket	Cable Basket
Cable Basket	YR1CC Cable Clips	Attachment Hardware	Vertical Infeed/Wire Manager
1. Pattern Number	Vertical Infeed/Wire Manager	Cable Basket Extension Mount Kit	
Vertical Infeed/Wire Manager	<i>Example:</i> YR1VWM, 323	Attachment Hardware	
1. Pattern Number	YR1VWM Vertical Infeed/Wire Manager	Cable Basket Extra Mount Kit	
2. Paint Finish	118T Bright White Paint	Attachment Hardware Plates	
		Vertical Infeed/Wire Manager	
		Attachment Hardware	

Cable Management

For Desks and Big Tables

Cable Clips, Cable Baskets and Vertical Infeed/Wire Manager

description	type	w	d	h	pattern no.	list
 Antenna Wire Basket Cover (pair)	Attaches to both Lower and Upper Cable Basket of the same depth	24"	1 1/2"	3 3/4"	YR1CBC24	\$191.
	Attaches to both Lower and Upper Cable Basket of the same depth	36"	1 1/2"	3 3/4"	YR1CBC36	209.
	Attaches to both Lower and Upper Cable Basket of the same depth	42"	1 1/2"	3 3/4"	YR1CBC42	217.
	Attaches to both Lower and Upper Cable Basket of the same depth	48"	1 1/2"	3 3/4"	YR1CBC48	219.
	Attaches to both Lower and Upper Cable Basket of the same depth	54"	1 1/2"	3 3/4"	YR1CBC54	222.
	Attaches to both Lower and Upper Cable Basket of the same depth	60"	1 1/2"	3 3/4"	YR1CBC60	226.
	Attaches to both Lower and Upper Cable Basket of the same depth	66"	1 1/2"	3 3/4"	YR1CBC66	228.
	Attaches to both Lower and Upper Cable Basket of the same depth	72"	1 1/2"	3 3/4"	YR1CBC72	231.
	Attaches to both Lower and Upper Cable Basket of the same depth	78"	1 1/2"	3 3/4"	YR1CBC78	240.
	Attaches to both Lower and Upper Cable Basket of the same depth	84"	1 1/2"	3 3/4"	YR1CBC84	276.
 Antenna Wire Basket End Cap (pair)	Attaches to both Lower and Upper Cable Basket of the same depth	1 1/8"	12"	3 3/4"	YR1CBE12	165.
	Attaches to both Lower and Upper Cable Basket of the same depth	1 1/8"	6"	3 3/4"	YR1CBE06	142.
 Vertical Infeed/Wire Manager	For desks or desk height table	3"	2 1/2"	23"	YR1VWM323	434.
	For standing height table 36"h	3"	2 1/2"	31"	YR1VWM330	586.
	For standing height table 42"h	3"	2 1/2"	37"	YR1VWM336	586.

Ordering Information	Order Code	Included With	Options
Cable Clips	Cable Clips	Cable Clips	Cable Clips
1. Pattern Number	<i>Example:</i> YR1CC	Cable Basket	Cable Basket
Cable Basket	YR1CC Cable Clips	Attachment Hardware	Vertical Infeed/Wire Manager
1. Pattern Number	Vertical Infeed/Wire Manager	Cable Basket Extension Mount Kit	
Vertical Infeed/Wire Manager	<i>Example:</i> YR1VWM, 323	Attachment Hardware	
1. Pattern Number	YR1VWM Vertical Infeed/Wire Manager	Cable Basket Extra Mount Kit	
2. Paint Finish	118T Bright White Paint	Attachment Hardware Plates	
		Vertical Infeed/Wire Manager	
		Attachment Hardware	

Fence Planning Guidelines

Fence is an independent 5" thick service wall intended to define the center of a cluster or the perimeter of a team space. Fence distributes and manages power, data and communications for a group of workspaces through the use of convenient outlets, accessible cable trays and slatwall. The unique Fence crown supports the end of a desk, screens and storage cabinets on stanchions in the center.

Fence can be specified at either 25" or 28 1/2" high. The 25" horizon aligns with the top of Antenna desk legs, enabling desk support rails to extend above the Fence crown top cap. The 28 1/2" horizon aligns with the top of a standard desk height top. The crown top cap corresponds in thickness and edge radius to an Antenna desk top.

Full or segmented covers to enclose the Fence structure are available with a painted, laminate or veneer surface. Full covers conceal the entire Fence structure, ending at the underside of the

crown. Segmented Fence covers are available as 9" high upper covers and 14" or 17" high lower covers. Fence covers are available in 12" width increments up to 72" and may span across straight frame-to-frame connections.

Fence can be configured in freestanding straight runs in any combination of 4', 5', or 6' widths, or in L, T, X, V or 120-degree Y connections.

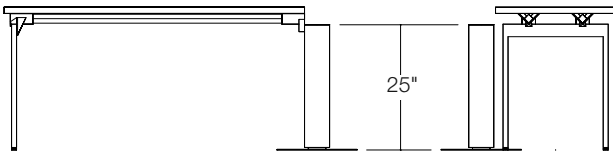
Modular power systems available for Fence connect to the building at any point under the base and distribute either Knoll 2+2 or 3+3 electrical components up to six circuits from a single infeed. The unique profile of the frame and covers enables hundreds of cables to be "laid in" across multiple frames.

Screens for Fence are available in heights that create a horizon of 42" for seated visual access or 49" for seated visual privacy attaching to either 25" or 28 1/2" high Fence. Stanchion Mounted cabinets are able to attach to Fence using stanchion brackets, creating a 49" high horizon.

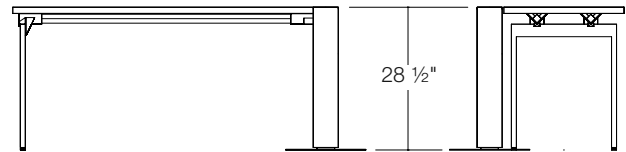
A Fence configuration consists of frames, legs, stabilizer feet, crown top caps, end covers, connectors, covers and power components.

The recommended planning sequence is:

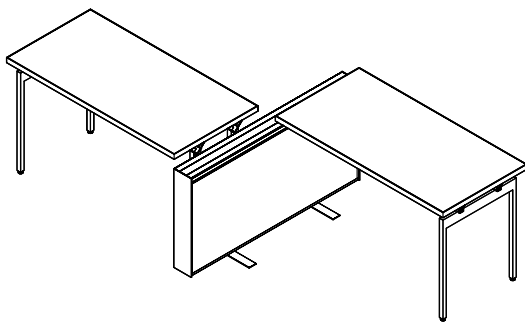
1. Determine the overall length and height of Fence frames and add legs/stabilizer feet where required (see stability guidelines).
2. Specify crown top caps to trim the top of the frame, flat ends for the ends of the frame and connectors for frame-to-frame connections.
3. Position outlet covers, cable tray and slatwall in desired location.
4. Fill in remaining frame openings with upper, lower and/or full covers.
5. Complete power specifications with outlet modules, duplex receptacles, infeeds and jumper cables.



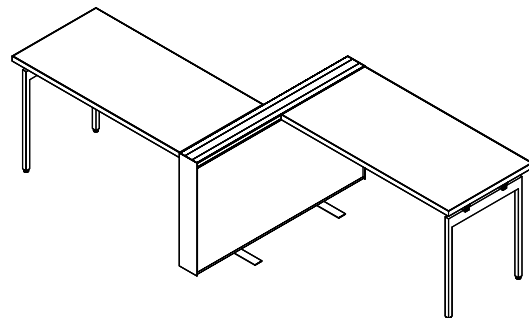
25"H Fence Elevations



28 1/2"H Fence Elevations



25"H Fence



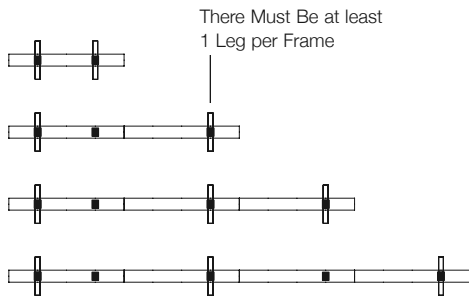
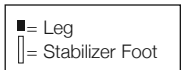
28 1/2"H Fence

Fence Stability Guidelines

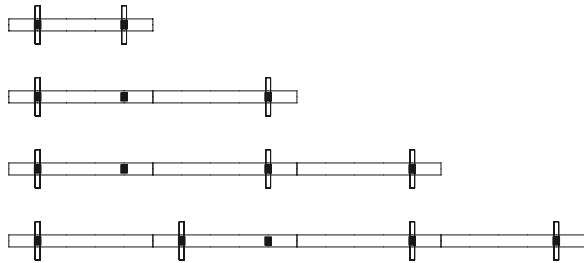
Fence can be planned in straight runs or connected in L, T, X, V or Y configurations. Legs are required 1' from any connector and a stabilizer foot should also be added 8' or less from an L, T or V connector. Two Fence legs are recommended for each frame when a desk

end support or upmounted storage cabinet application is planned. In addition to legs, a stabilizer foot should be added at each end and every 8' along a straight run. If storage or desk supports are not planned, Fence legs are required at each end of straight runs and every 4' or 5' with at least one per Fence frame.

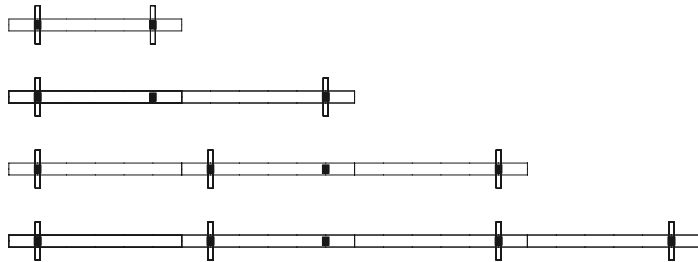
When supporting overhead storage, fence must be stabilized by attachment to an adjacent desk.



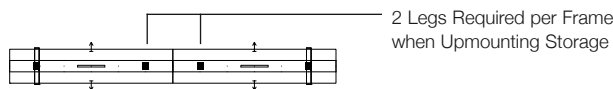
Straight Run Configurations using 48"W Frames



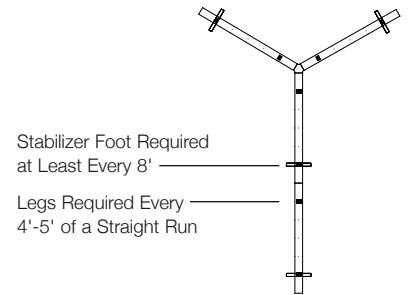
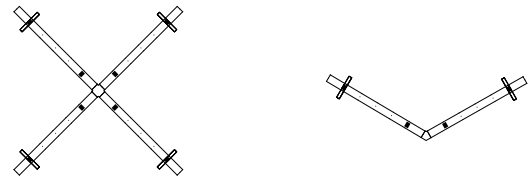
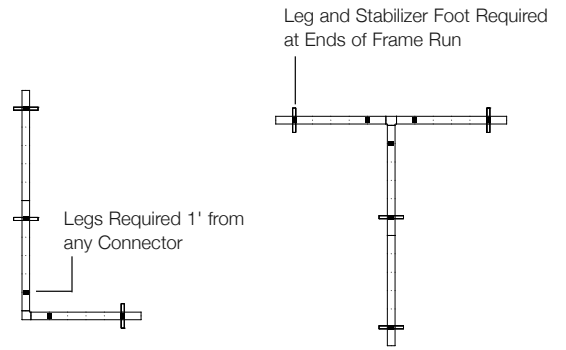
Straight Run Configurations using 60"W Frames



Straight Run Configurations using 72"W Frames



Straight 12' Run with Upmounted Storage



Fence Structure

Fence frames are the base structure of a Fence application. Frames are designed with 1" x 2" vertical studs every 12". Half-width vertical studs at each end are welded to a 1" high horizontal crown and bottom channel that are the full width of the frame. Frames are 21" high and available in 4', 5' and 6' widths. Frames include one set of connectors to join to the next frame in a straight line. The top of the frame crown has features that enable desk support brackets to attach to either side of the Fence frame, as well as screen and storage stanchions in the center of the crown.

The bottom channel of the frame has ports to enable vertical cable feeds between studs. Studs have two ports that allow lateral distribution of power jumper cables. Steel clips are welded to both faces of the studs to support the attachment of Fence covers. Covers are offset 1" to enable lay-in cable management across the face of any length of interconnected frames. Cable clips can be specified separately to manage bundles of communication cables.

Fence is available in two heights: 25" and 28 1/2". The height of fence is determined by the height of the leg, specify 4" high legs for 25" high Fence or 7" high legs for 28 1/2" high Fence. Legs attach to the frame bottom channel 1" from each end. Legs are required 1' from any connector and a stabilizer foot should also be added 8" or less from an L, T or V connector. Two Fence legs are recommended for each frame when a desk end support or upmounted storage cabinet application is planned. If storage or desk supports are not planned, Fence legs are required at each end of straight runs and every 4' or 5' with at least one per Fence frame.

A stabilizer foot is a heavy gauge steel foot that attaches to a Fence leg and extends 6" on either side of the frame. In addition to legs, a stabilizer foot should be added at each end and every 8' along a straight run.

Construction

Frames are 21" high steel weldments available in 48", 60", and 72" widths. Frames are composed of a 1" high crown, bottom rail, 1/2" wide roll formed studs at ends and 1" wide roll formed studs on 12" centers between the ends. Formed steel clips welded at the top, center and bottom of each stud enable covers to mount and snap into position without tools.

Legs are extruded aluminum with steel top and bottom plates to connect to the bottom of the frame 12" from either end and accept 3" high leveling glides with 2" adjustable height.

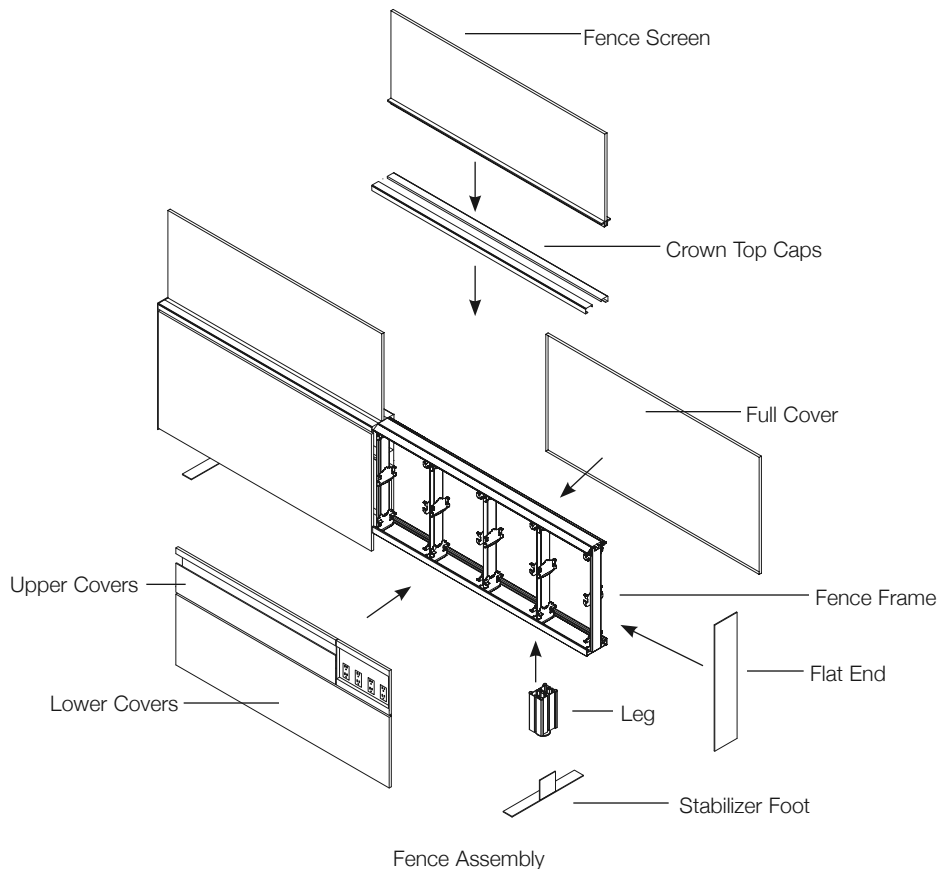
Stabilizer feet are an inverted T-shape constructed of welded steel that rests directly on the floor below the leveling glide.

Cable clips are molded black plastic, approximately 1 1/2"H x 3/4"D, and each can manage 10 or more CAT5 cables.

Antenna Fence frame is essentially similar to Currents Fence, but has a different bottom channel to enable the covers to extend to the floor. Legs and feet are unique to Antenna Fence.

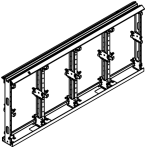
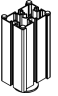
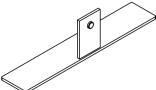
Specification Options

Frames have a black paint finish. The legs and stabilizer foot are available in any core paint finish. Cable clips (AR1PCC100) must be specified separately and are available in packages of 100.



Fence Structure

Frames, Legs and Stabilizer Foot

description	type	w	d	h	pattern no.	list
 Frames	48" Wide	48"	5"	21"	YFF2148	\$581.
	60" Wide	60"	5"	21"	YFF2160	690.
	72" Wide	72"	5"	21"	YFF2172	768.
 Individual Legs	For use with 25" High Fence	3 1/2"	4"	4"	YFL25	41.
	For use with 28 1/2" High Fence	3 1/2"	4"	7"	YFL28	53.
 Stabilizer Foot	For use with individual leg	4"	16"	1/4"	YFLSF	106.

Fence Components

Ordering Information	Order Code	Included With	Options
Frame/Legs	Frame/Legs	Frame/Legs	Frame/Legs
1. Pattern Number	<i>Example:</i> YFF2148	Stabilizer Foot	Stabilizer Foot
Stabilizer Foot	YFF Fence Frame	Attachment Hardware	
1. Pattern Number	21 Height		
2. Paint Finish	48 Width		
	Stabilizer Foot		
	<i>Example:</i> YFLSF, 118T		
	YFLSF Stabilizer Foot		
	118T Bright White Paint		

Universal Gallery Panels

Antenna Fence Universal Gallery Panels are an extensive series of laminate and veneer partitions with applications that delineate space and provide a planning alternative when the need to carry data and utilities is not required.

Universal Gallery Panel Dimensions

- Height: 25", 28.5", 42", 49"
- Width: 16", 19", 20", 24", 30", 36", 42", 48", 54", 60", 66", 72", 78", 84", 90", 96"
- Thickness: 1³/₁₆"

Construction

Laminate

- Surface Material: .028 laminate, front and back
- Edge Material: 2mm ABS on top and bottom sides; .8mm on right and left sides
- Core Material: 45lb. density, FSC Certified particle board
- Thickness: 1³/₁₆"

Techwood and Natural Veneer

- Surface Material: .6mm veneer, front and back
- Edge Material: .8mm ABS on top bottom, left and right sides
- Core Material: 45lb. density, FSC Certified particle board
- Thickness: 1³/₁₆"

Leveling Glides/Carpet Grippers

- 1" wide x 2" long, provides 1" of adjustment
- Carpet Gripper: YFGPCG, Pack of 10, specified separately

Note: Woodgrain laminate can be specified in horizontal and vertical grain direction. Techwood and Natural Veneers are vertical grain direction.

Note: Woodgrain laminate is not available with grain matching in Shared T and Extension/Return Gallery Panel applications.

Applications

Covered L: A single panel specified as either right or left-handed, Covered L applications plan as a return panel. Maximum overall width is 101". Extensions can be added for longer runs.

Covered T: A single panel specified at the end of a Fence run, Covered T adds stability to a spine application with widths that are specified independently. Maximum overall width is 101". Extensions can be added for longer runs. Returns can be added to enclose a space.

Shared T: Specified as an assembly of two gallery panels, the Shared T offers greater planning flexibility where each panel can be specified up to 96" wide and where the joint bisects the adjacent Fence frame. Extensions can be added for longer runs. Returns can be added to enclose a space.

Extensions and Returns:

Extensions are gallery panels that are added, in-line, to the end of an existing gallery panel to add length to a run. Maximum width is 78".

Returns are gallery panels that are added to the face of an existing gallery panel to add stability to a panel run or privacy to a workstation.

Intermediate:

Freestanding Intermediate Gallery Panels are specified as an off-module divider between workstations and are not connected to the slotted standard of the spine panel run. Maximum width is 78". Extensions/Returns cannot be added

Maximum Overall Widths by Finish

- 101" max. for solid color laminate
- 101" max. for horizontal woodgrain laminate
- 60" max. for vertical woodgrain laminate
- 101" max for vertical grain veneer

Available Finishes:

Laminate

- 114 Folkstone Grey
- 117 Soft Grey
- 118 Bright White
- 119 Pumice
- 125 Natural Maple
- 127 Walnut
- 141 Whitened Ash
- 142 Grey Ash
- 143 Classic Oak
- 140 Warm Ash
- 139 Light Ash
- 144 Graphite Pear
- 126 Natural Cherry

Techwood and Natural Veneer

Techwood (V1)

- 641 Black Oak
- 638 Blonde Maple
- 509 Cherry
- 628 Dark Mahogany
- 645 Dove Grey
- 514 Espresso
- 639 Light Cherry
- 644 Light Walnut
- 506 Maple
- 513 Medium Teak
- 512 Medium Walnut
- 637 Natural

Natural Veneer (V2)

- 037E Birch with Birch Edge
- 002 Bronze Cherry
- 640 Ebony
- 642 Grigio
- 017 Light Walnut
- 006 Maple
- 020 Natural Oak
- 022 Old English Walnut
- 021 Peacock Green Walnut
- 038 Rustic Walnut
- 647 White Pine

Note: All laminate gallery panels may be specified with any ABS edge band including SPLY.

Note: All veneer gallery panels are offered with synthetic matching edge.

Fence Universal Gallery Panels

Planning Guidelines and Specifications

Covered L Specification

The Covered L Gallery Panel attaches directly to the end of an Antenna Fence Frame as a return without the need for an End Trim.

Covered L applications are specified as either right or left handed and have a maximum overall width of 101". Extension can be added to create longer runs. Returns can be added to enclose a space or provide additional stability.

Follow the steps below to complete a Covered L Gallery Panel specification:

- Application:** Covered L (L)
- Plus Dimension:** In applications where a Return is required, choose the plus dimension: left, right or none (L, R or N). L an R add 1 3/16" to the overall width and preserves the on-module width inside the workstation.

- Height:** 25", 28.5", 42", 49"
- Width:** 16", 19", 20", 24", 30", 36", 42", 48", 54", 60", 66", 72", 78", 84", 90", 96"

Note: widths above are the usable, onmodule dimension inside the workstation, not overall dimension.

- Handed:** Choose either left or right (L or R). Handedness is determined from the user's perspective within the workstation. See below.

Note: If a Plus Dimension is chosen (L or R), the handedness must match (L or R).

- Adjacent Fence Frame Height:** Choose the height of the adjacent Fence Frame (49, 42, 28.5 or 25).

Note: Gallery panels must be taller than the adjacent Fence Frame Height.

Finish: Choose the appropriate laminate or veneer finish.

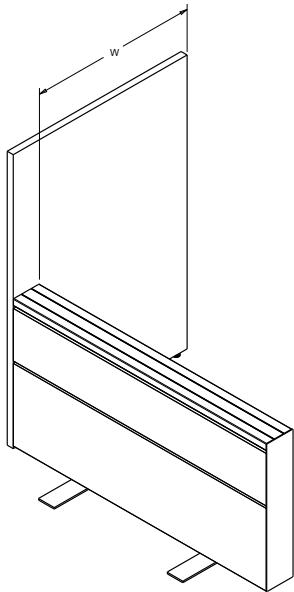
- Grain Direction:** Choose vertical or horizontal grain direction (V or H) or (-) for solid color laminate.

Note: Woodgrain laminate is not available with grain matching in Shared T and Extension/Return Gallery Panel applications.

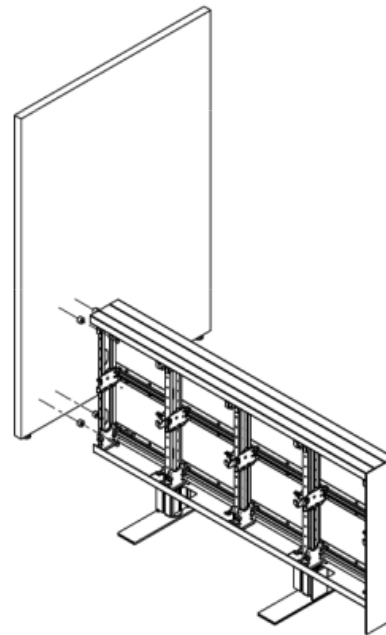
- Edgeband:** Choose any standard synthetic edge option.

Length of Run Restriction: No Covered L Gallery Panel run can exceed 96" (usable), including Extensions without lateral support for stability i.e. attaching to freestanding storage or using a gallery panel Return.

Product Line	Category	Application	Plus Dimensions	Height	Width 1	Handed	Adjacent Frame Height	Finish	Grain	Edge Band
YF	GP	L	R	28	16	R	28	118	~	118
YF= Antenna Fence	GP= Gallery Panel	L= Covered L	R= Add 1 3/16" to right side	25=25" Height	16=16" Wide	R = Right Handed	28: 25"	Select Finish	V= Vertical	Select Edge Band
			L= Add 1 3/16" to the left side	28=28.5" Height	19=19" Wide	L = Left Handed	42: 28" or 25"		H= Horizontal	
			N= No added dimensions	42=42" Height	20=20" Wide		49: 42", 28" or 25"		- = Solid Color Lam	
				49=49" Height	24=24" Wide					
					30=30" Wide					
					36=36" Wide					
					42=42" Wide					
					48=48" Wide					
					54=54" Wide					
					60=60" Wide					
					66=66" Wide					
					72=72" Wide					
					78=78" Wide					



Covered L, Right Hand



Covered L, Attachment

Fence Universal Gallery Panels

Planning Guidelines and Specifications

Covered T Specification

The Covered T Gallery Panel attaches to the end of an Antenna Fence Spine run as a dual return without the need for End Trim. Covered T applications have widths that are specified independently and cannot exceed an overall width of 101". Extension can be added to create longer runs. Returns can be added to enclose a space or provide additional stability.

Follow the steps below to complete a Covered T Gallery Panel specification:

- Application:** Covered T (T)
- Plus Dimension:** In applications where a Return(s) are required, choose the plus dimension: left, right, both or none (L, R, B or N). L and R add 1 3/16" to the left or right sides, B adds 1 3/16" to both left and right sides and preserves the onmodule width inside the workstation.

- Height:** 25", 28.5", 42", 49"
- Width 1:** 16", 19", 20", 24", 30", 36", 42", 48", 54", 60", 66", 72", 78", 84", 90", 96"
- Width 2:** 16", 19", 20", 24", 30", 36", 42", 48", 54", 60", 66", 72", 78", 84", 90", 96"

Note: widths above are the usable, onmodule dimension inside the workstation, not overall dimension.

Note: No combination of Width 1 and Width 2 can exceed 96".

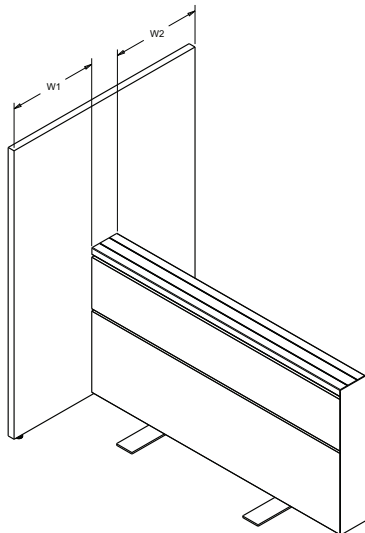
- Adjacent Fence Frame Height:** Choose the height of the adjacent Antenna Fence (49, 42, 28.5 or 25).

Note: Gallery panels must be taller than the adjacent Fence Frame Height.

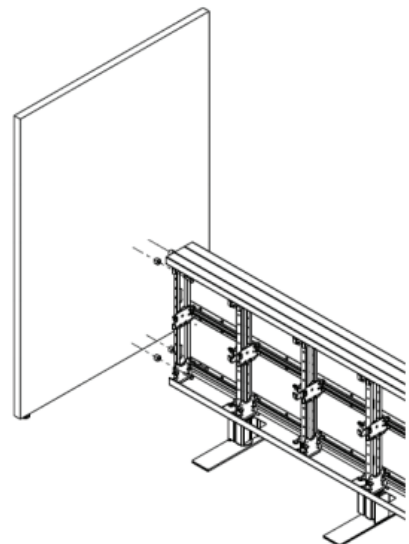
- Finish:** Choose the appropriate laminate or veneer finish.
- Grain Direction:** Choose vertical or horizontal grain direction (V or H) or (~) for solid color laminate.
- Edgeband:** Choose any standard synthetic edge option.

Length of Run Restriction: No Covered T Gallery Panel run can exceed 96" (usable), including Extensions without lateral support for stability i.e. attaching to freestanding storage or using a gallery panel Return.

Product Line	Category	Application	Plus Dimensions	Height	Width 1	Width 2	Adjacent Frame Height	Finish	Grain	Edge Band
YF	GP	T	R	28	16	16	28	118	~	118
YF= Antenna Fence	GP= Gallery Panel	T= Covered T	R= Add 1 3/16" to right side	25=25" Height	16=16" Wide	16=16" Wide	28: 25"	Select Finish	V= Vertical	Select Edge Band
			L= Add 1 3/16" to the left side	28=28.5" Height	19=19" Wide	19=19" Wide	42: 28" or 25"		H= Horizontal	
			B= Add 1 3/16" to both sides	42=42" Height	20=20" Wide	20=20" Wide	49: 42", 28" or 25"		~ = Solid Color Lam	
			N= No added dimensions	49=49" Height	24=24" Wide	24=24" Wide				
					30=30" Wide	30=30" Wide				
					36=36" Wide	36=36" Wide				
					42=42" Wide	42=42" Wide				
					48=48" Wide	48=48" Wide				
					54=54" Wide	54=54" Wide				
					60=60" Wide	60=60" Wide				
					66=66" Wide	66=66" Wide				
					72=72" Wide	72=72" Wide				
					78=78" Wide	78=78" Wide				



Covered T: Combination of W1 and W2 not to exceed 96". Overall width not to exceed 101"



Covered T: Attachment

Shared T Specification

The Shared T Gallery Panel application attaches to the end of an Antenna Fence Spine run and is specified as an assembly of two gallery panels without the need for a frame End Trim. Shared T applications have widths that are specified independently up to 96" for greater planning flexibility. Extension can be added to create longer runs. Returns can be added to enclose a space or provide additional stability.

Follow the steps below to complete a Shared T Gallery Panel specification:

- 1. Application:** Shared T (S)
- 2. Plus Dimension:** In applications where a Return(s) are required, choose the plus dimension: Left, Right, Both or None (L, R, B or N). L an R add 1 3/16" to the left or right sides, B adds 1 3/16" to both left and right sides and preserves the onmodule width inside the workstation.

- 3. Height:** 25", 28.5", 42", 49"
- 4. Width 1:** 16", 19", 20", 24", 30", 36", 42", 48", 54", 60", 66", 72", 78", 84", 90", 96"
- 5. Width 2:** 16", 19", 20", 24", 30", 36", 42", 48", 54", 60", 66", 72", 78", 84", 90", 96"

Note: widths above are the usable, onmodule dimension inside the workstation, not overall dimension.

- 6. Adjacent Fence Frame Height:**
Choose the height of the adjacent Antenna Fence (49, 42, 28.5 or 25).

Note: Gallery panels must be taller than the adjacent Fence Frame Height.

- 7. Finish:** Choose the appropriate laminate or veneer finish.
- 8. Grain Direction:** Choose vertical or horizontal grain direction (V or H) or (~) for solid color laminate.
- 9. Edgeband:** Choose any standard synthetic edge option.

Length of Run Restriction: No Covered T Gallery Panel run can exceed 96" (usable), including Extensions without lateral support for stability i.e. attaching to freestanding storage or using a gallery panel Return.

Product Line	Category	Application	Plus Dimensions	Height	Width 1	Width 2	Adjacent Frame Height	Finish	Grain	Edge Band
YF	GP	S	R	28	16	16	28	118	~	118

YF= Antenna Fence GP= Gallery Panel S= Shared T R= Add 1 3/16" to right side 25=25" Height 16=16" Wide 16=16" Wide 28: 25" Select Finish V= Vertical Select Edge Band

L= Add 1 3/16" to the left side 28=28.5" Height 19=19" Wide 19=19" Wide 42: 28" or 25" H= Horizontal

B= Add 1 3/16" to both sides 42=42" Height 20=20" Wide 20=20" Wide 49: 42", 28" or 25" ~ = Solid Color Lam

N= No added dimensions 49=49" Height 24=24" Wide 24=24" Wide

30=30" Wide 30=30" Wide

36=36" Wide 36=36" Wide

42=42" Wide 42=42" Wide

48=48" Wide 48=48" Wide

54=54" Wide 54=54" Wide

60=60" Wide 60=60" Wide

66=66" Wide 66=66" Wide

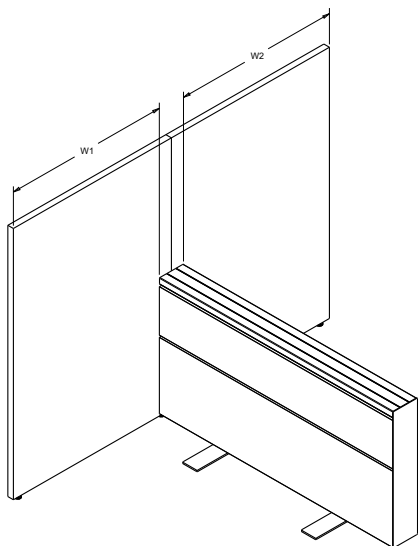
72=72" Wide 72=72" Wide

78=78" Wide 78=78" Wide

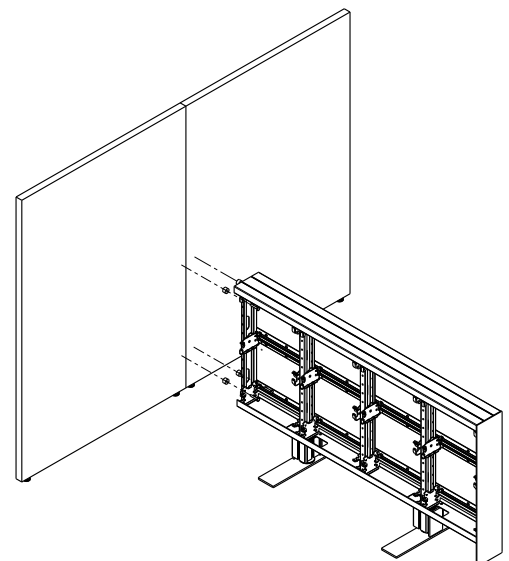
84=84" Wide 84=84" Wide

90=90" Wide 90=90" Wide

96=96" Wide 96=96" Wide



Shared T: Combination of W1 and W2 not to exceed 96"



Shared T: Attachment

Fence Universal Gallery Panels

Planning Guidelines and Specifications

Extension/Return Specification

The Extension Gallery Panel application attaches, in-line, to the end of an existing gallery panel to add length to a run. Maximum width is 78"

The Return gallery panels application attaches the face of an existing gallery panel to add stability to a panel run or privacy to a workstation. Maximum width is 78"

Note: Extensions and Returns are identical except for where the attach to an existing gallery panel

Extension can be added to create longer runs. Returns can be added to enclose a space or provide additional stability.

Follow the steps below to complete an Extension/Return Gallery Panel specification:

- 1. Application:** Extension/Return (E)
- 2. Plus Dimension:** In applications where a Return is required, choose the plus dimension: Left, Right or None (L, R, or N). L or R add 1 3/16" to the left or right sides and preserves the on-module width inside the workstation.
- 3. Height:** 25", 28.5", 42", 49"
- 4. Width 2:** 16", 19", 20", 24", 30", 36", 42", 48", 54", 60", 66", 72", 78"

Note: widths above are the usable, on-module dimension inside the workstation, not overall dimension

- 5. Finish:** Choose the appropriate laminate or veneer finish.
- 6. Grain Direction:** Choose vertical or horizontal grain direction (V or H) or (~) for solid color laminate.
- 7. Edgeband:** Choose any standard synthetic edge option.

Length of Run Restriction: No Gallery Panel run can exceed 96" (usable), in either direction, including Extensions, without lateral support for stability i.e. attaching to freestanding storage or using a gallery panel Return.

Product Line	Category	Application	Plus Dimensions	Height	Width 1	Finish	Grain	Edge Band
YF	GP	E	R	25	16	118	~	118

YF= Antenna Fence

GP= Gallery Panel

E= Extension

R= Add 1 3/16" to right side

25=25" Height

16=16" Wide

Select Finish

V= Vertical

Select Edge Band

L= Add 1 3/16" to the left side

28=28.5" Height

19=19" Wide

H= Horizontal

N= No added dimension

42=42" Height

20=20" Wide

~ = Solid Color Lam

49=49" Height

24=24" Wide

30=30" Wide

36=36" Wide

42=42" Wide

48=48" Wide

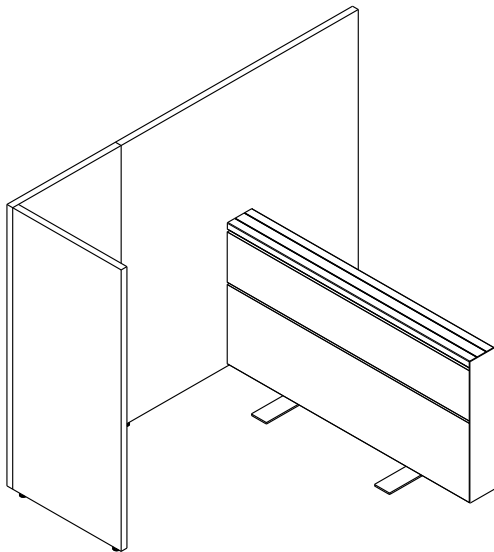
54=54" Wide

60=60" Wide

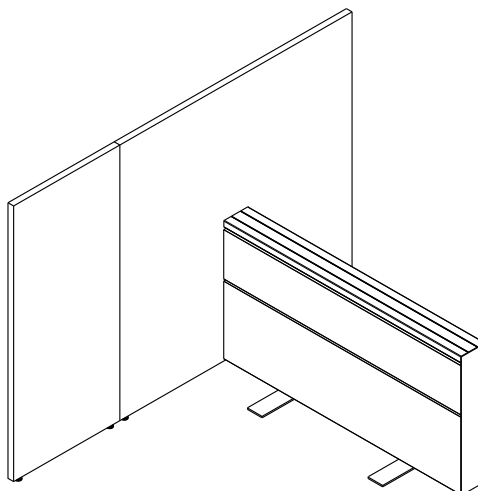
66=66" Wide

72=72" Wide

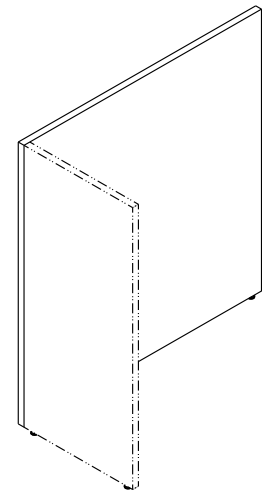
78=78" Wide



Extension Panel with Return Panel



Extension Panel



Return Panel

Fence Universal Gallery Panels

Planning Guidelines and Specifications

Intermediate Specification

The Intermediate Antenna Fence Gallery Panel application can be specified Freestanding only.

Freestanding Intermediate Gallery Panels are specified as an off-module divider between workstations and are not connected to the Antenna Fence. Maximum width is 78". Extensions>Returns cannot be added.

Antenna Fence Freestanding Feet (YFGPFF) are offered in pairs. Two (2) pairs are required to complete the assembly and are ordered separately.

Note: Freestanding Intermediate applications are best suited for 42" and wider Gallery Panels.

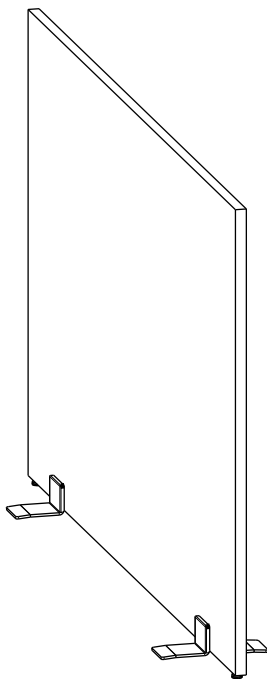
Follow the steps below to complete an Intermediate Gallery Panel specification:

1. **Application:** Intermediate (I)
2. **Height:** 25", 28.5", 42", 49"
3. **Width:** 16", 19", 20", 24", 30", 36", 42", 48", 54", 60", 66", 72", 78"

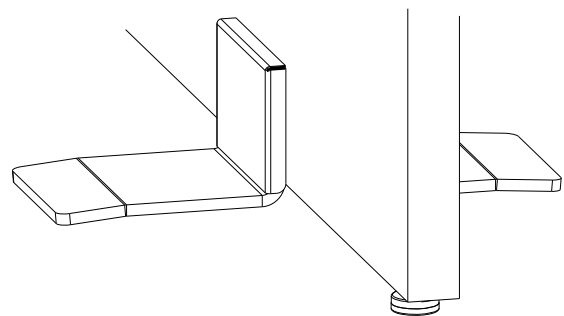
Note: widths above are the usable, onmodule dimension inside the workstation, not overall dimension.

4. **Finish:** Choose the appropriate laminate or veneer finish
5. **Grain Direction:** Choose vertical or horizontal grain direction (V or H) or (~) for solid color laminate.
6. **Edgeband:** Choose any standard synthetic edge option

Product Line	Category	Application	Height	Width 1	Finish	Grain	Edge Band
YF	GP	I	25	16	118	~	118
<i>YF= Antenna Fence</i>	<i>GP= Gallery Panel</i>	<i>I= Intermediate</i>	<i>25=25" Height</i>	<i>16=16" Wide</i>	<i>Select Finish</i>	<i>V= Vertical</i>	<i>Select Edge Band</i>
			<i>28=28.5" Height</i>	<i>19=19" Wide</i>		<i>H= Horizontal</i>	
			<i>42=42" Height</i>	<i>20=20" Wide</i>		<i>- = Solid Color Lam</i>	
			<i>49=49" Height</i>	<i>24=24" Wide</i>			
				<i>30=30" Wide</i>			
				<i>36=36" Wide</i>			
				<i>42=42" Wide</i>			
				<i>48=48" Wide</i>			
				<i>54=54" Wide</i>			
				<i>60=60" Wide</i>			
				<i>66=66" Wide</i>			
				<i>72=72" Wide</i>			
				<i>78=78" Wide</i>			



Intermediate Gallery Panel with Freestanding Feet



Intermediate Gallery Panel with Freestanding Feet - Detail

Fence Connectors and Trim

Planning Guidelines and Specifications

Fence Connectors and Trim

Each fence frame requires a pair of matching width crown top caps. Crown top caps match the profile of an Antenna desk top and snap on to either side of the frame crown, leaving a center channel accessible for mounting screens or overhead support stanchions.

Crown center channel can be filled with a crown top cap center channel. Center crown top caps can be trimmed on site to fit around stanchions or off module screens.

Fence flat ends attach directly to the outside ends of the frame, covering the ends of the crown top caps and edges of side covers.

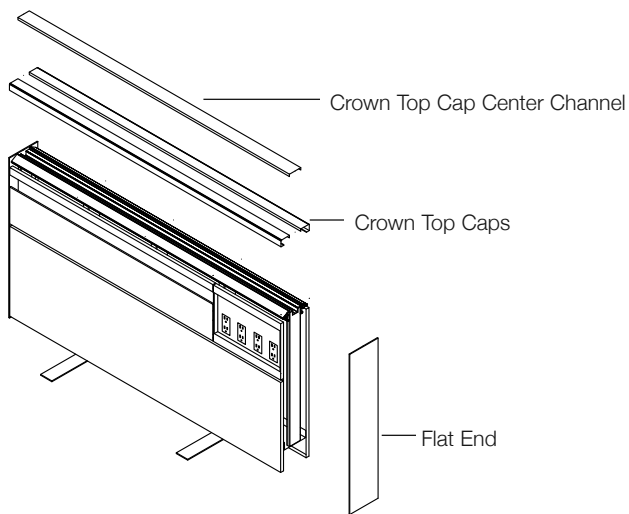
Fence connectors attach between two or more frames at a 90-degree or 120-degree angle creating L, X, T, V or Y conditions. Connectors add 1" in plan on either side. Connector kits include formed steel top and bottom brackets, inside and outside vertical trim covers, connector top cap and end caps for the ends of crown top caps.

Construction

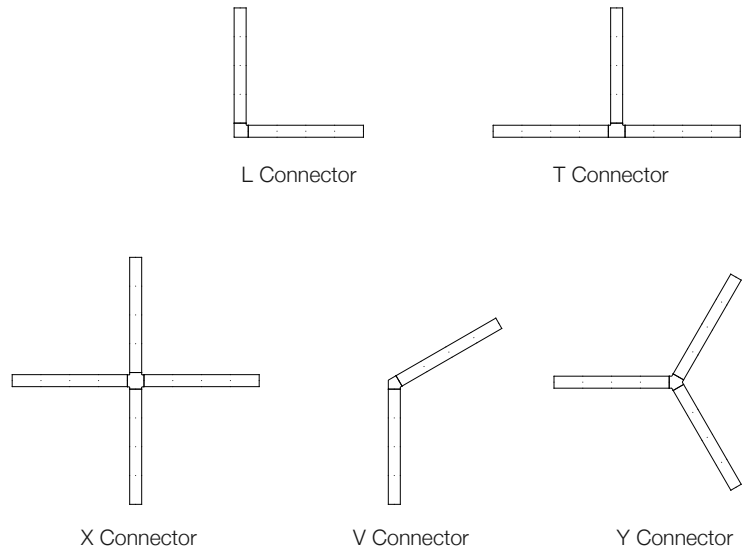
Crown top caps are painted extruded aluminum. Crown top cap center channels are extruded metal. Connector kits are comprised of formed steel top and bottom brackets and trim covers, molded plastic top caps and metal crown end caps.

Specification Options

Crown top caps and crown top cap center channels can be specified in any core paint finish. Flat ends and connector covers can be specified in any core paint finish. For L, T, and V conditions, specify connector top cap and crown end caps, which are included in connector kits, in any core paint finish. For X and Y conditions, specify crown end caps in any core paint finish.





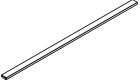
Connector and Trim Assembly Detail



Fence Connector Applications

Fence Connectors and Trim






Antenna Crown Top Caps and Flat Ends

description	type	w	d	h	pattern no.	list
 Flat Ends	For 28 1/2" High Fence		1/4"	28 1/2"	YFJE28	\$120.
	For use with 25" High Fence	5"	1/4"	25"	YFJE25	120.
 Crown Top Caps (pair)	For use with 48" wide frame	48"	1 1/2"	3/4"	YFTC48	67.
	For use with 60" wide frame	60"	1 1/2"	3/4"	YFTC60	93.
	For use with 72" wide frame	72"	1 1/2"	3/4"	YFTC72	106.
 Crown Top Cap Center Channel	For use with 48" wide crown top caps	48"	1 3/4"	3/4"	YFCC48	33.
	For use with 60" wide crown top caps	60"	1 3/4"	3/4"	YFCC60	47.
	For use with 72" wide crown top caps	72"	1 3/4"	3/4"	YFCC72	53.

Ordering Information	Order Code	Included With	Options
Crown Covers/Flat Ends	Crown Covers/Flat Ends	Crown Covers/Flat Ends	Crown Covers/Flat Ends
1. Pattern Number	<i>Example:</i> YFJE25, 118T		
2. Paint Finish	YFJE Flat End		
	25 Height		
	118T Bright White Paint		

Fence Connectors and Trim

Antenna Connectors

description	type	w	d	h	pattern no.	list
L Connectors (Two-Way) 	For use with 25" High Fence	5"	5"	25"	YFJL25	\$597.
	For use with 28 1/2" High Fence	5"	5"	28 1/2"	YFJL28	597.
T Connectors (Three-Way) 	For use with 25" High Fence	5"	5"	25"	YFJT25	702.
	For use with 28 1/2" High Fence	5"	5"	28 1/2"	YFJT28	702.
X Connectors (Four-Way) 	For use with 25" High Fence	5"	5"	25"	YFJX25	754.
	For use with 28 1/2" High Fence	5"	5"	28 1/2"	YFJX28	754.
V Connectors (Two-Way 120 degree) 	For use with 25" High Fence	5"	5"	25"	YFJV25	959.
	For use with 28 1/2" High Fence	5"	5"	28 1/2"	YFJV28	959.
Y Connector (Three-Way 120 Degree) 	For use with 25" High Fence	5"	5"	25"	YFJY25	581.
	For use with 28 1/2" High Fence	5"	5"	28 1/2"	YFJY28	581.

Ordering Information

Connectors

1. Pattern Number
2. Vertical Paint Finish (except for X and Y connector)
3. Top Cap Paint Finish
4. Crown End Cover Finish

Order Code

Connectors

Example: **YFJT25, 118T, 118T, 118T**

YFJT	Fence T Connector
25	Height
118T	Bright White Paint
118T	Bright White Paint
118T	Bright White Paint

Included With

Connectors

Attachment Hardware
Connectors
Trim

Options

Connectors

Fence Electrical Components

Fence is powered by a unique point-to-point configuration of standard Knoll 2+2 or 3+3 modular raceways. The central power component is the outlet module, which has integral hooks to hang from the top stud clips on the frame. The outlet module is less than 6" wide, so two outlet modules can fit side by side between any two studs.

Each face of the outlet module accepts two duplex outlets, unique to Antenna Fence, that extend to protrude through the outlet cover openings. Duplex receptacles must be specified to access one of the four or six circuits. The four ports at the bottom of an outlet module accept jumper cables or an infeed with up to three jumper cables.

Jumpers

Jumper cables are available in various lengths up to 108" to link power between outlet modules. Side by side outlet modules behind a single outlet cover should be

joined by an 18" jumper, outlet modules behind adjacent outlet covers should be joined by a 24" jumper. For other planning conditions, fence jumpers need to be at least 24" wider than the width of the fence cover between outlet covers. For example, if outlet modules are positioned behind outlet covers separated by a 36" wide fence cover, they should be joined by a 60" or wider jumper.

Infeeds

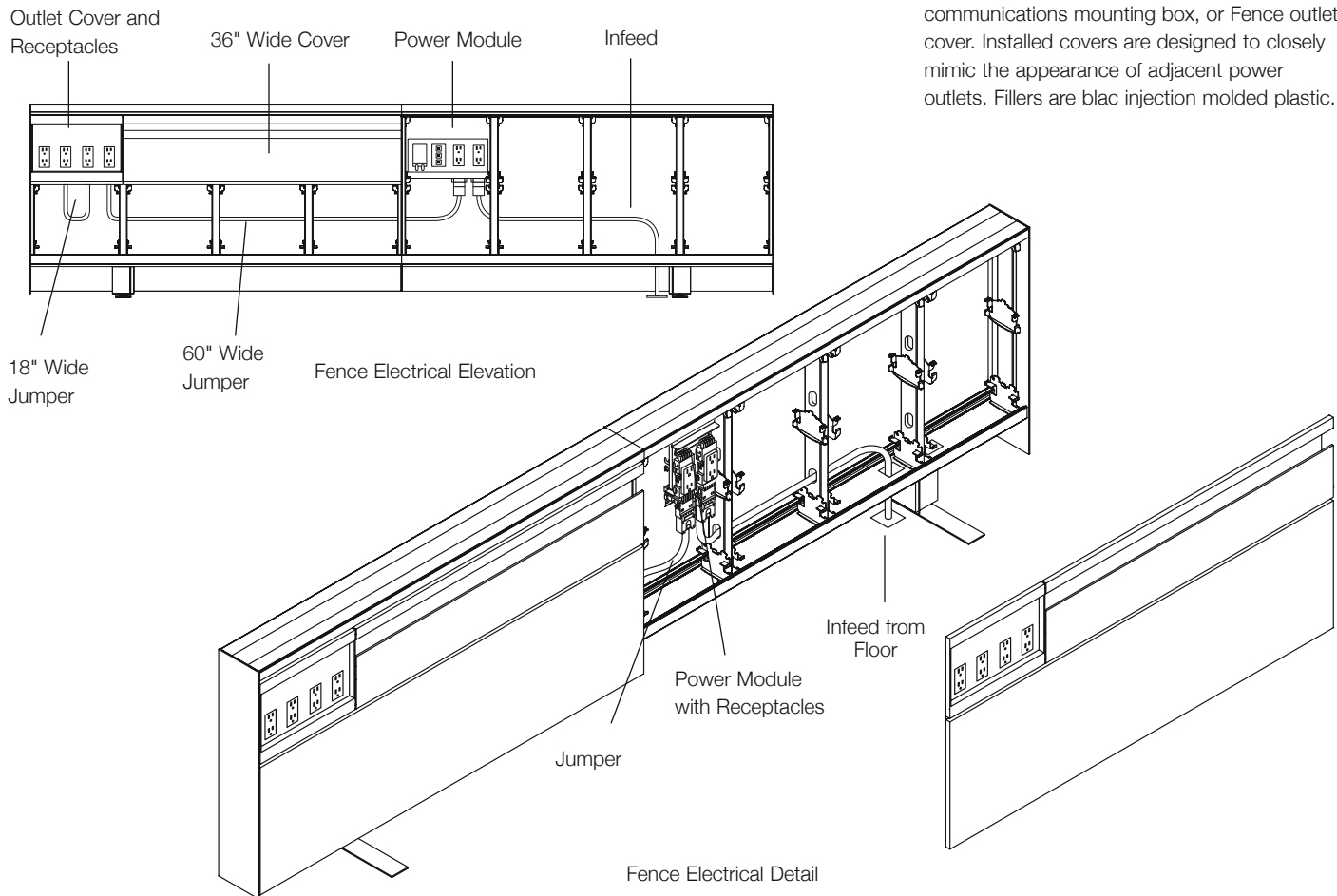
Two types of power infeeds, modular and hardwire, are available to connect the raceway to the building power supply. The modular infeed has a modular connector with a six foot pigtail that connects a junction box directly to Fence, through a port in the bottom of the frame, to an outlet module. Clad in metal conduit, the modular infeed is compliant with San Francisco electrical codes. A hardwire infeed, required in New York City, mounts to the frame and includes a connector with six foot pigtail that connects to an outlet module.

Infeed cables for both power and communications enter the Fence frame through the 1" space at the base of full or lower covers and the 3" (with 25" high Fence) or 6" (with 28 1/2" high Fence) space between the bottom of the frame and the floor.

Data and Communications

The PDC module extension kit is a set of ten collars that snap securely into an outlet opening in Antenna communications mounting box or Fence outlets cover to project a new outlet mounting position 1/2" away from the face of the box or cover. This added depth can be crucial if communications connectors are unusually deep and are arrayed back to back in the mounting box or Fence. Interior space between back to back communications faceplates is 3" in mounting box, or 3 7/8" in Fence applications. Extension kit accepts most standard, decorative communications faceplates. PDC module extension kit is injection molded black plastic.

Outlet fillers are a kit of ten plastic filler plates that flex to snap securely into any unused outlet opening in Antenna raceway covers, communications mounting box, or Fence outlets cover. Installed covers are designed to closely mimic the appearance of adjacent power outlets. Fillers are black injection molded plastic.

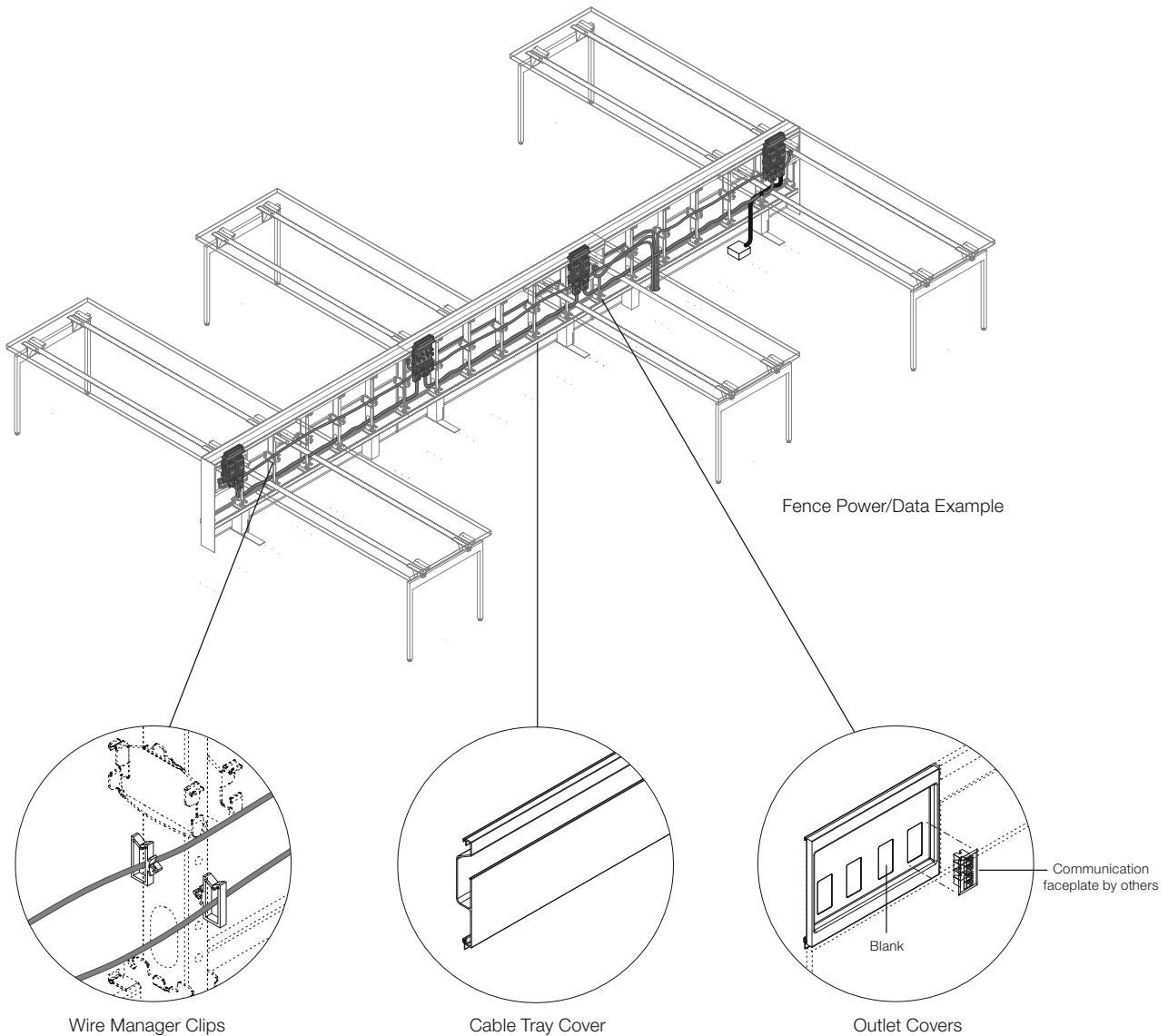


Construction

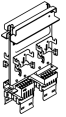
The 2+2 electrical system distributes four 20-amp circuits in eight wires suitable for uninterrupted power supply applications. 2+2 electrical is configured with two hot wires that have a shared ground and neutral and two other hot wires that have separate shared ground and neutrals. The 3+3 electrical system distributes six 20-amp circuits in ten wires suitable for uninterrupted power supply applications. 3+3 electrical is configured with three hot wires with a shared ground and neutral and three other hot wires that have separate shared ground and neutrals.

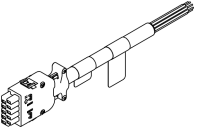
Specification Options

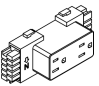
For outlet modules, jumpers and infeeds, specify either the 2+2 or 3+3 electrical system. When using the 2+2 electrical system, specify duplex receptacles for circuits A, B, X or Y. When using the 3+3 electrical system, specify duplex receptacles for circuits A, B, C, X, Y or Z. Duplex receptacles for all circuits are available with a black face. X, Y and Z circuits are also available with an orange face or a black face with an orange triangle.

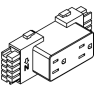


Electrical Components for Fence 2+2, 3+3 and 4-4-2 Electrical Systems

description	type	w	d	h	pattern no.	list
	2+2, Upper Level	6"	3 1/2"	8 1/2"	YR1EOM	\$193.
	3+3, Upper Level	6"	3 1/2"	8 1/2"	YR1TOM	225.
	4-4-2, Upper Level	6"	3 1/2"	8 1/2"	YR1XOM	234.

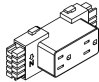

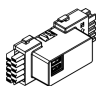
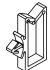
	2+2 Hardwire Infeed for New York City	85"	2 1/8"	2 3/8"	YR1EPNY	495.
	2+2 Modular Base Infeed	85"	2 1/8"	2 3/8"	YR1EDPI	225.
	3+3 Hardwire Infeed for New York City	85"	2 1/8"	2 3/8"	YR1TPNY	521.
	3+3 Modular Base Infeed	85"	2 1/8"	2 3/8"	YR1TDPI	261.
	4-4-2 Hardwire Infeed for New York City	85"	2 1/8"	2 3/8"	YR1XPNY	548.
	4-4-2 Modular Base Infeed	85"	2 1/8"	2 3/8"	YR1XDPI	272.

Duplex Receptacles, Extended Face For Use With 4-4-2 Electrical System 	Circuit 1, black	1 1/2"	2"	4 1/2"	YR1XD1	54.
	Circuit 1, black with controlled symbol	1 1/2"	2"	4 1/2"	YR1XD1C	54.
	Circuit 2, black	1 1/2"	2"	4 1/2"	YR1XD2	54.
	Circuit 2, black with controlled symbol	1 1/2"	2"	4 1/2"	YR1XD2C	54.
	Circuit 3, black	1 1/2"	2"	4 1/2"	YR1XD3	54.
	Circuit 3, black with controlled symbol	1 1/2"	2"	4 1/2"	YR1XD3C	54.
	Circuit 3, orange with black triangle	1 1/2"	2"	4 1/2"	YR1XD3O	54.
	Circuit 4, black	1 1/2"	2"	4 1/2"	YR1XD4	54.
	Circuit 4, black with controlled symbol	1 1/2"	2"	4 1/2"	YR1XD4C	54.
Circuit 4, orange with black triangle	1 1/2"	2"	4 1/2"	YR1XD4O	54.	

Duplex Receptacles, Extended Face For Use With Fence 	Circuit A, black	1 1/2"	2"	4 1/2"	YR1XDA	52.
	Circuit A, black with controlled symbol	1 1/2"	2"	4 1/2"	YR1XDAC	52.
	Circuit B, black	1 1/2"	2"	4 1/2"	YR1XDB	52.
	Circuit B, black with controlled symbol	1 1/2"	2"	4 1/2"	YR1XDDB	52.
	Circuit C, black	1 1/2"	2"	4 1/2"	YR1XDC	52.
	Circuit C, black with controlled symbol	1 1/2"	2"	4 1/2"	YR1XDCC	52.
	Circuit X, black	1 1/2"	2"	4 1/2"	YR1XDX	52.
	Circuit X, black with controlled symbol	1 1/2"	2"	4 1/2"	YR1XDXC	52.
	Circuit X, black with orange triangle	1 1/2"	2"	4 1/2"	YR1XDXT	52.
	Circuit X, orange with black triangle	1 1/2"	2"	4 1/2"	YR1XDZO	52.
	Circuit Y, black	1 1/2"	2"	4 1/2"	YR1XDY	52.
	Circuit Y, black with controlled symbol	1 1/2"	2"	4 1/2"	YR1XDYC	52.
	Circuit Y, black with orange triangle	1 1/2"	2"	4 1/2"	YR1XDYT	52.
	Circuit Y, orange with black triangle	1 1/2"	2"	4 1/2"	YR1XDYO	52.
	Circuit Z, black	1 1/2"	2"	4 1/2"	YR1XDZ	52.
	Circuit Z, black with controlled symbol	1 1/2"	2"	4 1/2"	YR1XDZC	52.

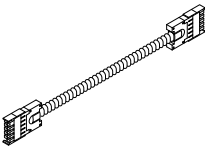
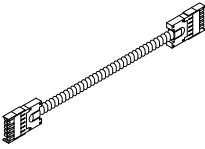
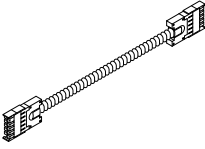
Ordering Information	Order Code	Included With	Options
Electrical Components 1. Pattern Number	Electrical Components <i>Example:</i> YR1EOM12 YR1EOM Outlet Module 12 Width	Electrical Components	Electrical Components

Electrical Components for Fence 2+2, 3+3 and 4-4-2 Electrical Systems

description	type	w	d	h	pattern no.	list
Duplex Receptacles, Extended Face For Use With Fence	Circuit Z, black with orange triangle	1 1/2"	2"	4 1/2"	YR1XDZT	\$52.
	Circuit Z, orange with black triangle	1 1/2"	2"	4 1/2"	YR1XDZO	52.
						
Outlet Fillers	Package of 10	1 1/4"	1/4"	2 1/2"	YROF	41.
						
PDC Module Extension Kit	Package of 10				YR1PDCX	167.
USB Duplex, Extended Face For Use With Fence	Circuit A, black	1 1/2"	2"	4 1/2"	YR1XUSBA	216.
	Circuit B, black	1 1/2"	2"	4 1/2"	YR1XUSBB	216.
	Circuit C, black	1 1/2"	2"	4 1/2"	YR1XUSBC	216.
	Circuit X, black	1 1/2"	2"	4 1/2"	YR1XUSBX	216.
	Circuit Y, black	1 1/2"	2"	4 1/2"	YR1XUSBY	216.
	Circuit Z, black	1 1/2"	2"	4 1/2"	YR1XUSBZ	216.
						
Cable Clips for Wall Studs	Package of 100	1/4"	1/2"	1 1/2"	YR1PCC100	96.
						

Ordering Information	Order Code	Included With	Options
Electrical Components	Electrical Components	Electrical Components	Electrical Components
1. Pattern Number	<i>Example:</i> YR1EOM12 YR1EOM Outlet Module 12 Width		

Electrical Components for Fence 2+2, 3+3 and 4-4-2 Electrical Systems

description	type	w	d	h	pattern no.	list
 <p>Jumper Cable, 2+2</p>	For adjacent outlet modules behind one cover	18"	1"	1"	YR1EJ18	\$128.
	For outlets behind adjacent outlet covers	24"	1"	1"	YR1EJ24	135.
	For 12" between outlet covers	36"	1"	1"	YR1EJ36	153.
	For 24" between outlet covers	48"	1"	1"	YR1EJ48	177.
	For 36" between outlet covers	60"	1"	1"	YR1EJ60	196.
	For 48" between outlet covers	72"	1"	1"	YR1EJ72	213.
	For 60" between outlet covers	84"	1"	1"	YR1EJ84	234.
	For 72" between outlet covers	96"	1"	1"	YR1EJ96	254.
	For 84" between outlet covers	108"	1"	1"	YR1EJ108	263.
	For 96" between outlet covers	120"	1"	1"	YR1EJ120	300.
	For 108" between outlet covers	132"	1"	1"	YR1EJ132	325.
For 120" between outlet covers	144"	1"	1"	YR1EJ144	347.	
 <p>Jumper Cable, 3+3</p>	For adjacent outlet modules behind one cover	18"	1"	1"	YR1TJ18	166.
	For outlets behind adjacent outlet covers	24"	1"	1"	YR1TJ24	177.
	For 12" between outlet covers	36"	1"	1"	YR1TJ36	200.
	For 24" between outlet covers	48"	1"	1"	YR1TJ48	229.
	For 36" between outlet covers	60"	1"	1"	YR1TJ60	254.
	For 48" between outlet covers	72"	1"	1"	YR1TJ72	276.
	For 60" between outlet covers	84"	1"	1"	YR1TJ84	307.
	For 72" between outlet covers	96"	1"	1"	YR1TJ96	331.
	For 84" between outlet covers	108"	1"	1"	YR1TJ108	340.
	For 96" between outlet covers	120"	1"	1"	YR1TJ120	347.
	For 108" between outlet covers	132"	1"	1"	YR1TJ132	375.
For 120" between outlet covers	144"	1"	1"	YR1TJ144	389.	
 <p>Jumper Cable, 4-4-2</p>	For adjacent outlet modules behind one cover	18"	1"	1"	YR1XJ18	175.
	For outlets behind adjacent outlet covers	24"	1"	1"	YR1XJ24	185.
	For 12" between outlet covers	36"	1"	1"	YR1XJ36	211.
	For 24" between outlet covers	48"	1"	1"	YR1XJ48	240.
	For 36" between outlet covers	60"	1"	1"	YR1XJ60	266.
	For 48" between outlet covers	72"	1"	1"	YR1XJ72	290.
	For 60" between outlet covers	84"	1"	1"	YR1XJ84	321.
	For 72" between outlet covers	96"	1"	1"	YR1XJ96	345.
	For 96" between outlet covers	120"	1"	1"	YR1XJ120	347.
	For 84" between outlet covers	108"	1"	1"	YR1XJ108	357.
	For 108" between outlet covers	132"	1"	1"	YR1XJ132	375.
For 120" between outlet covers	144"	1"	1"	YR1XJ144	389.	

Ordering Information	Order Code	Included With	Options
Electrical Components	Electrical Components	Electrical Components	Electrical Components
1. Pattern Number	<i>Example:</i> YR1TJ36		
	YR1TJ Jumper Cable		
	36 Width		

Fence Upper Covers

Upper covers are nominal 9"H and mount only in the upper position of each face of the frame, 1/2" below and flush with the crown covers. Specifying the surface covers of the fence should begin by locating outlets covers and any functional surface covers—integral cable tray or slatwall. Other surface covers can be painted steel, laminate, or veneer. Covers attach using full width extrusions that hang from the top stud clips and snap onto the middle clips on the studs.

Outlets covers are 12" wide with a 1/2" deep recessed surface and four standard duplex outlet openings. Each outlet opening is oriented vertically and is sized to fit around a power outlet or standard Decora-size snap-in data/communications outlet. Hardwired outlet covers are also available when required by code.

Cable tray covers are designed to enable user-accessible cable management within the surface of the Fence between outlet covers. Slatwall has integral slots from which KnollExtra accessories can be hung from the surface of the Fence. Cable tray and slatwall covers are available in 12" widths up to 72".

Upper covers are also available with a painted metal or laminate finish in widths from 12"-72" or with a Techwood or natural veneer finish in widths from 12"-48". The grain direction is vertical for veneer covers.

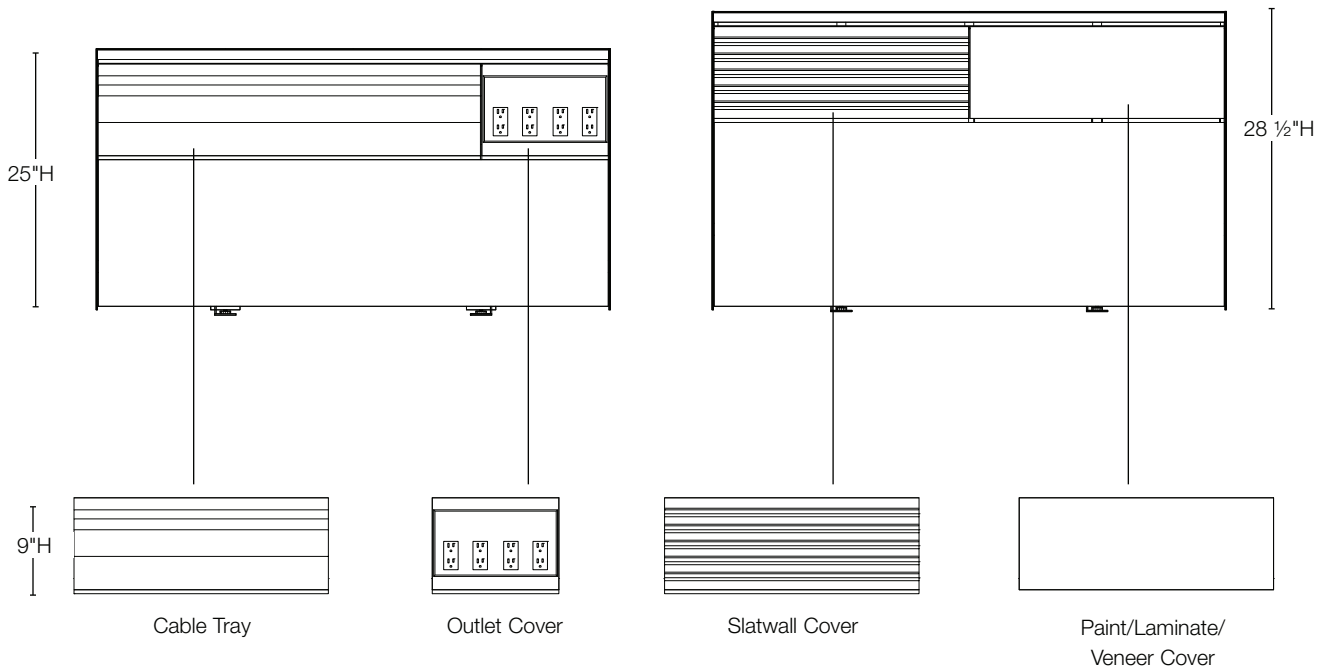
Construction

Modular outlet covers are constructed of injection molded plastic and hardwire outlet covers are formed steel. Cable trays and slatwall are extruded aluminum with integral top and bottom hook details. Painted metal upper covers are steel with top and bottom aluminum extrusions to engage the stud slips. Laminate and veneer upper covers have a 1/2" thick wood core with top and bottom aluminum extrusions to engage to the stud clips.

Specification Options

Outlet covers, cable tray, slatwall, and painted upper covers are available in any smooth Knoll core paint finish. Laminate covers are available in any Knoll core laminate finish. Veneer covers are available in any Knoll core Techwood or natural veneer finish. Veneer and patterned laminate upper covers are only available in widths up to 48".

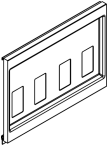
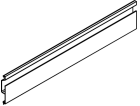
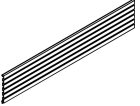
Elevation of Upper Covers for 25" and 28 1/2" High Fence



Upper Covers

Outlet, Cable Tray and Slatwall Covers

For 25" or 28" High Fence

description	type	w	d	h	pattern no.	list
Upper Outlet Covers 	Hardwire	12"	1"	9"	YFCHOC	\$132.
	Modular	12"	1"	9"	YFCOC	53.
Upper Cable Tray Covers 		36"	1"	9"	YFC0936C	132.
		48"	1"	9"	YFC0948C	185.
		60"	1"	9"	YFC0960C	225.
		72"	1"	9"	YFC0972C	266.
		12"	1"	9"	YFC0912C	53.
		24"	1"	9"	YFC0924C	93.
Upper Slatwall Covers 		36"	1"	9"	YFC0936S	120.
		48"	1"	9"	YFC0948S	159.
		60"	1"	9"	YFC0960S	200.
		72"	1"	9"	YFC0972S	237.
		12"	1"	9"	YFC0912S	47.
		24"	1"	9"	YFC0924S	79.

Ordering Information

Upper Covers

1. Pattern Number
2. Paint Finish

Order Code

Upper Covers

Example: **YFCOC, 118T**

YFCOC Outlet Cover

118T Bright White Paint

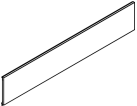
Included With

Upper Covers

Options

Upper Covers

Upper Covers
Painted
 For 25" or 28" High Fence

description	w	d	h	pattern no.	list
Upper Painted Covers	12"	3/4"	9"	YFC0912P	\$178.
	24"	3/4"	9"	YFC0924P	190.
	36"	3/4"	9"	YFC0936P	204.
	48"	3/4"	9"	YFC0948P	218.
	60"	3/4"	9"	YFC0960P	259.
	72"	3/4"	9"	YFC0972P	284.

Ordering Information

- Painted Covers**
 1. Pattern Number
 2. Paint Finish

Order Code

Painted Covers	
<i>Example:</i> YFC0936P, 118T	
YFC	Fence Cover
09	Height
36	Width
P	Painted
118T	Bright White Paint

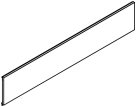
Included With

Painted Covers

Options

Painted Covers

Upper Covers
Laminate
For 25" or 28" High Fence

description	w	d	h	pattern no.	list
Upper Laminate Covers	12"	3/4"	9"	YFC0912L	\$190.
	24"	3/4"	9"	YFC0924L	218.
	36"	3/4"	9"	YFC0936L	243.
	48"	3/4"	9"	YFC0948L	272.
	60"	3/4"	9"	YFC0960L	353.
	72"	3/4"	9"	YFC0972L	381.

Ordering Information

Laminate Covers

1. Pattern Number
2. Laminate Finish

Order Code

Laminate Covers

Example: **YFC0936L, 118**

YFC	Fence Cover
09	Height
36	Width
L	Laminate
118	Bright White Laminate


Included With

Laminate Covers

Options

Laminate Covers

Upper Covers
Veneer
For 25" or 28" High Fence

description	w	d	h	pattern no.	V1	V2	V3
Upper Veneer Covers	12"	3/4"	9"	YFC0912V	\$532.	\$614.	\$829.
	24"	3/4"	9"	YFC0924V	594.	681.	918.
	36"	3/4"	9"	YFC0936V	684.	787.	1,061.
	48"	3/4"	9"	YFC0948V	750.	861.	1,166.

Ordering Information

Veneer Covers
 1. Pattern Number
 2. Veneer Finish

Order Code

Veneer Covers
Example: YFC0936V, Y316
YFC Fence Cover
09 Height
36 Width
V Veneer
Y316 Maple

Included With

Veneer Covers

Options

Veneer Covers

Lower Covers

Planning Guidelines and Specifications

Fence Lower Covers

Lower covers fill the space below upper covers on Fence down to 1" above the floor level, which allows continuous cable entry/exit. Lower covers are planned in the lower section of Fence below upper covers and can be combined with adjacent full covers on the Fence. Lower covers attach using full width extrusions that hang from the middle position stud clips and snap onto the bottom position clips on the studs.

Specify 14" high lower covers for use with 25" high Fence and 17" high lower covers for use with 28 1/2" high Fence.

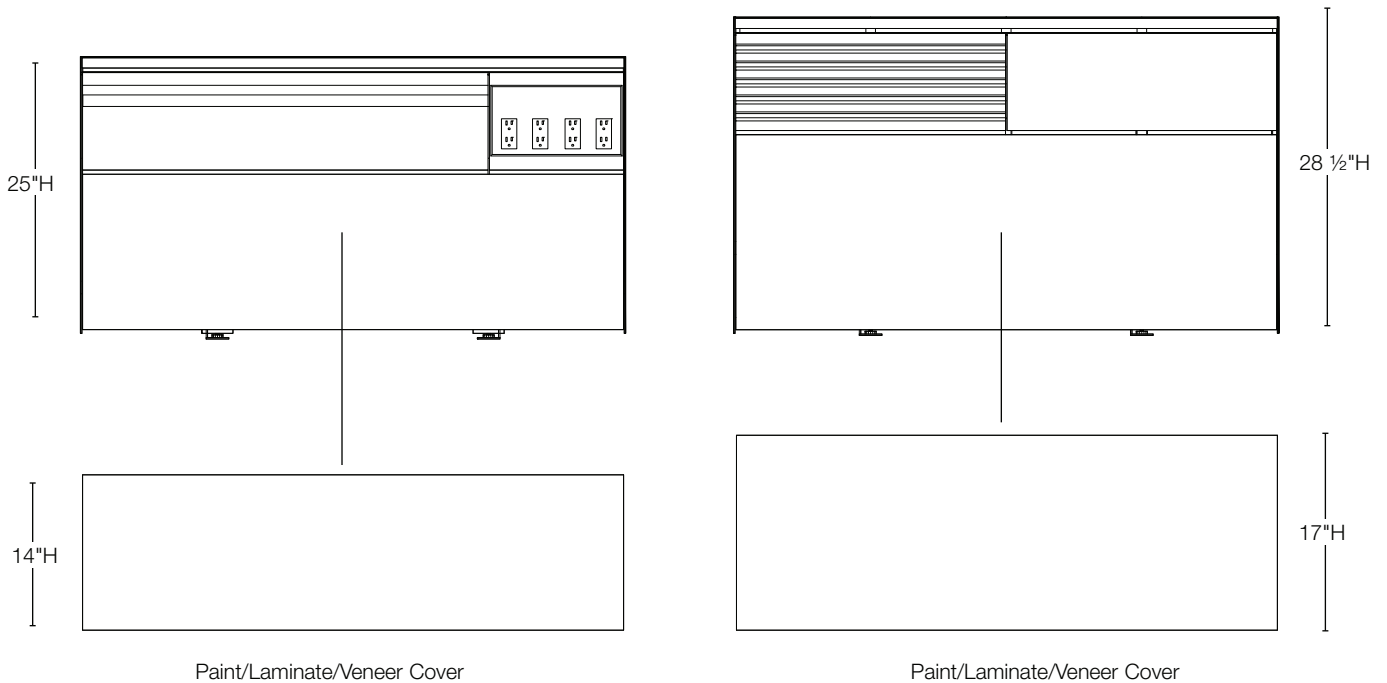
Construction

Painted metal lower covers are steel with top and bottom aluminum extrusions to engage the stud slips. Laminate and veneer upper covers have a 1/2" thick wood core with top and bottom aluminum extrusions to engage to the stud clips.

Specification Options

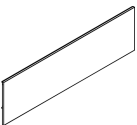
Painted upper covers are available in any smooth Knoll core paint finish. Laminate covers are available in any Knoll core laminate finish. Veneer covers are available in any Knoll core Techwood or natural veneer finish. The grain direction is vertical for veneer covers. Veneer and patterned laminate upper covers are only available in widths up to 48".


Elevation of Lower Covers for 25" and 28 1/2" High Fence



Fence Components

Lower Covers
Painted
For 25" or 28" High Fence

description	w	d	h	pattern no.	list
Lower Painted Covers for 25" High Fence 	12"	3/4"	14"	YFC1412P	\$178.
	24"	3/4"	14"	YFC1424P	190.
	36"	3/4"	14"	YFC1436P	204.
	48"	3/4"	14"	YFC1448P	218.
	60"	3/4"	14"	YFC1460P	259.
	72"	3/4"	14"	YFC1472P	284.

Lower Painted Covers for 28" High Fence 	12"	3/4"	17"	YFC1712P	178.
	24"	3/4"	17"	YFC1724P	190.
	36"	3/4"	17"	YFC1736P	204.
	48"	3/4"	17"	YFC1748P	218.
	60"	3/4"	17"	YFC1760P	259.
	72"	3/4"	17"	YFC1772P	284.

Ordering Information

Painted Covers
 1. Pattern Number
 2. Paint Finish

Order Code

Painted Covers
Example: YFC1736P, 118T
YFC Fence Cover
17 Height
36 Width
P Painted
118T Bright White Paint

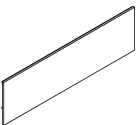
Included With


Painted Covers

Options

Painted Covers

Lower Covers
Laminate
For 25" or 28" High Fence

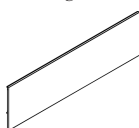
description	w	d	h	pattern no.	list
Lower Laminate Covers for 25" High Fence 	12"	3/4"	14"	YFC1412L	\$190.
	24"	3/4"	14"	YFC1424L	218.
	36"	3/4"	14"	YFC1436L	243.
	48"	3/4"	14"	YFC1448L	272.
	60"	3/4"	14"	YFC1460L	353.
	72"	3/4"	14"	YFC1472L	381.

Lower Laminate Covers for 28" High Fence 	12"	3/4"	17"	YFC1712L	190.
	24"	3/4"	17"	YFC1724L	237.
	36"	3/4"	17"	YFC1736L	267.
	48"	3/4"	17"	YFC1748L	292.
	60"	3/4"	17"	YFC1760L	422.
	72"	3/4"	17"	YFC1772L	443.

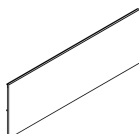
Ordering Information	Order Code	Included With	Options
Laminate Covers	Laminate Covers	Laminate Covers	Laminate Covers
1. Pattern Number	<i>Example:</i> YFC1736L, 118		
2. Laminate Finish	YFC Fence Cover		
	17 Height		
	36 Width		
	L Laminate		
	118 Bright White Laminate		

Lower Covers
Veneer
For 25" or 28" High Fence

description	w	d	h	pattern no.	V1	V2	V3
Lower Veneer Covers for 25" High Fence	12"	3/4"	14"	YFC1412V	\$554.	\$636.	\$859.
	24"	3/4"	14"	YFC1424V	629.	724.	978.
	36"	3/4"	14"	YFC1436V	729.	839.	1,132.
	48"	3/4"	14"	YFC1448V	797.	914.	1,237.



Lower Veneer Covers for 28" High Fence	12"	3/4"	17"	YFC1712V	561.	646.	872.
	24"	3/4"	17"	YFC1724V	641.	737.	995.
	36"	3/4"	17"	YFC1736V	744.	856.	1,154.
	48"	3/4"	17"	YFC1748V	824.	947.	1,279.



Ordering Information

Veneer Covers
 1. Pattern Number
 2. Veneer Finish

Order Code

Veneer Covers
Example: YFCO936V, Y316
YFC Fence Cover
09 Height
36 Width
V Veneer
Y316 Maple

Included With

Veneer Covers

Options

Veneer Covers

Fence Full Covers

Full covers fill the entire side of Fence, from the space below the crown down to 1" above the floor allowing continuous cable entry/exit. Full covers can be planned adjacent to any combination of upper and lower covers on Fence. Full covers attach using full width extrusions that hang from the top position stud clips and snap onto the bottom stud clips.

Specify 23" high full covers for use with 25" high Fence and 26" high full covers for use with 28 ½" high Fence.

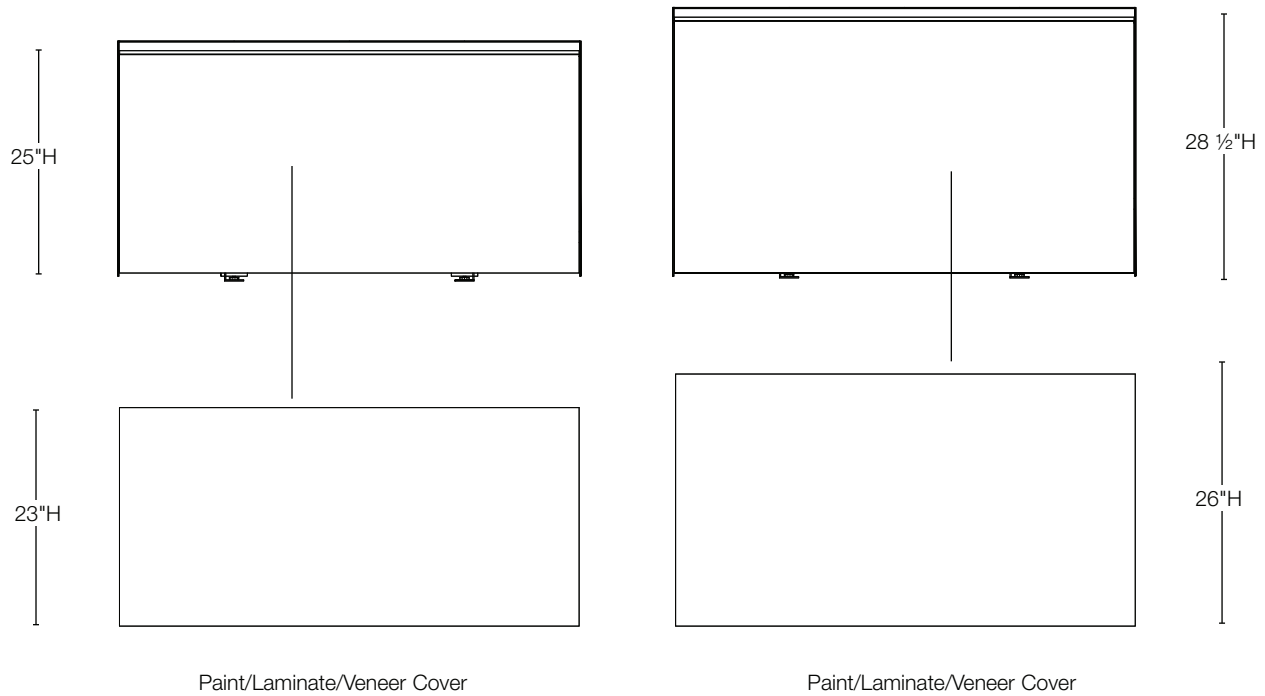
Construction

Painted metal full covers are steel with top and bottom aluminum extrusions to engage the stud slips. Laminate and veneer full covers have a ½" thick wood core with top and bottom aluminum extrusions to engage to the stud clips.

Specification Options

Painted full covers are available in any smooth Knoll core paint finish. Laminate full covers are available in any Knoll core laminate finish. Veneer full covers are available in any Knoll core Techwood or natural veneer finish. The grain direction is vertical for veneer covers. Veneer and patterned laminate upper covers are only available in widths up to 48".

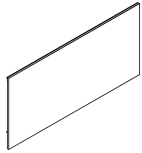
Elevation of Full Covers for 25" and 28 ½" High Fence



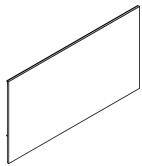
Fence Components

Full Covers
Painted
 For 25" or 28" High Fence

description	w	d	h	pattern no.	list
Full Painted Covers for 25" High Fence	24"	3/4"	23"	YFC2324NP	\$198.
	36"	3/4"	23"	YFC2336NP	211.
	48"	3/4"	23"	YFC2348NP	225.
	60"	3/4"	23"	YFC2360NP	272.
	72"	3/4"	23"	YFC2372NP	300.



Full Painted Covers for 28" High Fence	24"	3/4"	26"	YFC2624NP	198.
	36"	3/4"	26"	YFC2636NP	211.
	48"	3/4"	26"	YFC2648NP	225.
	60"	3/4"	26"	YFC2660NP	272.
	72"	3/4"	26"	YFC2672NP	300.



Ordering Information

Painted Covers

1. Pattern Number
2. Paint Finish

Order Code

Painted Covers

Example: **YFC2636NP, 118T**

YFC2 Fence Cover

26 Height

36 Width

N No outlets

P Painted

118T Bright White Paint

Included With

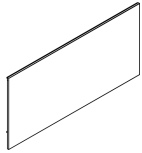
Painted Covers

Options

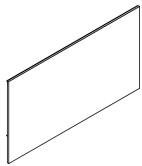
Painted Covers

Full Covers
Laminate
For 25" or 28" High Fence

description	w	d	h	pattern no.	list
Full Laminate Covers for 25" High Fence	24"	3/4"	23"	YFC2324NL	\$284.
	36"	3/4"	23"	YFC2336NL	313.
	48"	3/4"	23"	YFC2348NL	353.
	60"	3/4"	23"	YFC2360NL	449.
	72"	3/4"	23"	YFC2372NL	491.



Full Laminate Covers for 28" High Fence	24"	3/4"	26"	YFC2624NL	284.
	36"	3/4"	26"	YFC2636NL	313.
	48"	3/4"	26"	YFC2648NL	353.
	60"	3/4"	26"	YFC2660NL	449.
	72"	3/4"	26"	YFC2672NL	546.



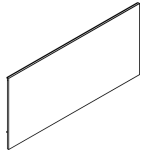
Ordering Information	Order Code	Included With	Options
Laminate Covers	Laminate Covers	Laminate Covers	Laminate Covers
1. Pattern Number	<i>Example:</i> YFC2636NL, 118		
2. Laminate Finish	YFC2 Fence Cover		
	26 Height		
	36 Width		
	N No outlets		
	L Laminate		
	118 Bright White Laminate		

Full Covers

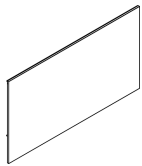
Veneer

For 25" or 28" High Fence

description	w	d	h	pattern no.	V1	V2	V3
Full Veneer Covers for 25" High Fence	24"	3/4"	23"	YFC2324NV	\$665.	\$765.	\$1,035.
	36"	3/4"	23"	YFC2336NV	776.	895.	1,208.
	48"	3/4"	23"	YFC2348NV	861.	992.	1,340.



Full Veneer Covers for 28" High Fence	24"	3/4"	26"	YFC2624NV	677.	777.	1,077.
	36"	3/4"	26"	YFC2636NV	798.	916.	1,238.
	48"	3/4"	26"	YFC2648NV	883.	1,013.	1,370.



Ordering Information

Veneer Covers

1. Pattern Number
2. Veneer Finish

Order Code

Veneer Covers

Example: **YFC2636NV, Y316**

YFC2 Fence Cover

26 Height

36 Width

N No outlets

V Veneer

Y316 Maple

Included With

Veneer Covers

Options

Veneer Covers

Antenna Screens

Antenna screens provide partial enclosure for workspaces to a horizon of 42"—seated visual access—or 49"—seated visual privacy, in four applications: desk mounted, floorstanding desk mounted, big table-mounted, and fence-mounted. In each application screens are available in a variety of surface finishes for aesthetics, performance and price point.

Desk Screens

Desk mounted screens provide enclosure both above and below the top, starting from either 10 ½" or 22 ½" above the floor. The 10 ½" starting point aligns with the bottom of suspended files or cabinets. The 22 ½" starting point aligns with the bottom of the horizontal element of a standard desk leg. Desk mounted screens attach directly to the back or end of a desk top with two brackets that also define a 1 ¼" offset for wire management and clamp-on accessories. Brackets are located 3 ½" from each end of screens 24"-30" wide and 12" from each

end of screens 36" and wider. Brackets will not interfere with standard leg cradles or rails but screens cannot be mounted at the end of desks with table desk end legs. Desk mounted screens cannot be mounted directly behind full depth floorstanding pedestals.

Desk mounted screens are not compatible with single sided big tables.

Screens are available in widths corresponding to standard top depths 24", 27", 30" and desk widths from 36"-72" wide in 6" increments. In most applications screens can be mounted to matching width or wider tops. In back-to-back desk configurations screens cannot overlap back to back desk end legs.

Two types of screens are available:

- Frameless laminate, marker surface or veneer screens are ¾" thick with matching edge and crisp, eased corners.
- Fabric screens are 1 ¼" thick, with painted perimeter frame capturing a wood structural core and tackable, fabric wrapped inserts on each face.

Construction

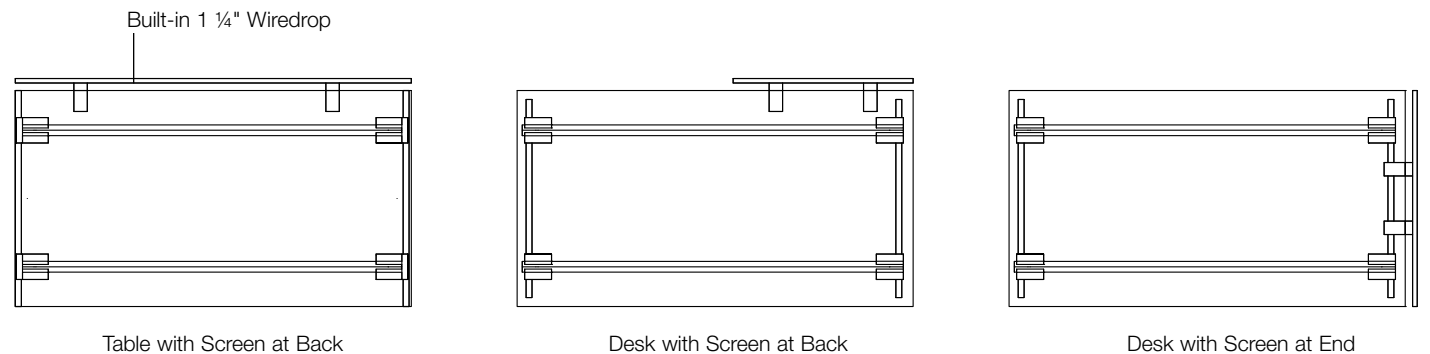
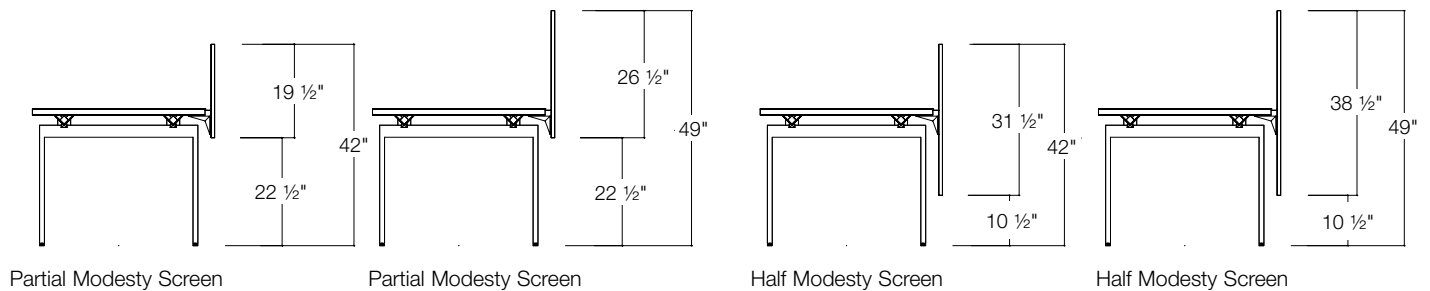
Frameless screens are ¾" MDF construction, with threaded inserts at bracket locations.

Fabric screens have a ½" MDF core, with ⅜" thick tackable PET material inserts on each side wrapped in fabric, and aluminum perimeter frame with seamless corners. Fabric screens have threaded metal inserts at bracket locations.

Specification Options

For frameless screens specify surface type: laminate (L) or veneer (V); finish, any core laminate, patterned or woodgrain laminate up to 60"W, dry-erase marker surface (M), or any core Techwood or natural veneer. Also specify bracket color, in any core paint finish.

For fabric screens specify fabric, perimeter frame and brackets painted finishes.



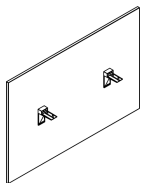
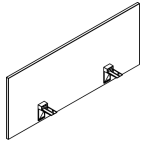
Screens

Desk Screens

Fabric

For 42" High Horizon

description	w	d	h	pattern no.	10	20	30	40	45
Fabric Screens with Partial Modesty For Desks, 42" High Horizon	24"	1 1/4"	20"	YPSB2024F	\$704.	\$739.	\$776.	\$811.	\$844.
	27"	1 1/4"	20"	YPSB2027F	725.	760.	795.	832.	868.
	30"	1 1/4"	20"	YPSB2030F	744.	782.	820.	857.	893.
	36"	1 1/4"	20"	YPSB2036F	829.	869.	912.	953.	993.
	42"	1 1/4"	20"	YPSB2042F	861.	904.	945.	990.	1,034.
	48"	1 1/4"	20"	YPSB2048F	886.	932.	977.	1,019.	1,064.
	54"	1 1/4"	20"	YPSB2054F	953.	999.	1,046.	1,096.	1,142.
	60"	1 1/4"	20"	YPSB2060F	1,010.	1,062.	1,113.	1,164.	1,213.
	66"	1 1/4"	20"	YPSB2066FRR	1,057.	1,111.	1,164.	1,215.	1,267.
	72"	1 1/4"	20"	YPSB2072FRR	1,089.	1,143.	1,200.	1,252.	1,308.
Fabric Screens with Half Modesty For Desks, 42" High Horizon	24"	1 1/4"	32"	YPSB3224F	817.	857.	898.	938.	980.
	27"	1 1/4"	32"	YPSB3227F	874.	918.	961.	1,006.	1,047.
	30"	1 1/4"	32"	YPSB3230F	901.	944.	990.	1,036.	1,081.
	36"	1 1/4"	32"	YPSB3236F	1,017.	1,068.	1,119.	1,170.	1,219.
	42"	1 1/4"	32"	YPSB3242F	1,076.	1,129.	1,182.	1,239.	1,291.
	48"	1 1/4"	32"	YPSB3248F	1,083.	1,137.	1,192.	1,247.	1,299.
	54"	1 1/4"	32"	YPSB3254F	1,173.	1,232.	1,291.	1,349.	1,409.
	60"	1 1/4"	32"	YPSB3260F	1,271.	1,336.	1,399.	1,463.	1,526.
	66"	1 1/4"	32"	YPSB3266FRR	1,447.	1,522.	1,593.	1,665.	1,737.
	72"	1 1/4"	32"	YPSB3272FRR	1,526.	1,603.	1,679.	1,756.	1,829.



Ordering Information

Desk Screens

1. Pattern Number
2. Inside Fabric Finish
3. Outside Fabric Finish
4. Frame Paint Finish
5. Bracket Paint Finish

Order Code

Desk Screens

Example: **YPSB2048F, W1077, 118T, 118T**

YPSB	Desk Screen
20	Height
48	Width
F	Fabric
W1077	Elements
W1077	Elements
118T	Bright White Paint
118T	Bright White Paint

Included With

Desk Screens
Brackets
Hardware

Options

Desk Screens

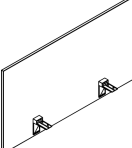
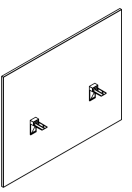
The price of screens specified with a combination of fabrics is the higher of the two fabric grades.

(RR) Fabric is applied railroaded

Desk Screens

Fabric

For 49" High Horizon

description	w	d	h	pattern no.	10	20	30	40	45
Fabric Screens with Partial Modesty For Desks, 49" High Horizon 	24"	1 1/4"	26"	YPSB2624F	\$770.	\$808.	\$846.	\$885.	\$922.
	27"	1 1/4"	26"	YPSB2627F	802.	840.	883.	921.	962.
	30"	1 1/4"	26"	YPSB2630F	823.	864.	904.	944.	987.
	36"	1 1/4"	26"	YPSB2636F	919.	964.	1,011.	1,058.	1,104.
	42"	1 1/4"	26"	YPSB2642F	964.	1,012.	1,062.	1,111.	1,160.
	48"	1 1/4"	26"	YPSB2648F	1,037.	1,089.	1,140.	1,193.	1,246.
	54"	1 1/4"	26"	YPSB2654F	1,110.	1,166.	1,218.	1,274.	1,332.
	60"	1 1/4"	26"	YPSB2660F	1,156.	1,212.	1,270.	1,329.	1,386.
	66"	1 1/4"	26"	YPSB2666FRR	1,207.	1,266.	1,329.	1,388.	1,447.
	72"	1 1/4"	26"	YPSB2672FRR	1,259.	1,321.	1,386.	1,447.	1,510.
Fabric Screens with Half Modesty For Desks, 49" High Horizon 	24"	1 1/4"	38"	YPSB3824F	881.	925.	969.	1,011.	1,057.
	27"	1 1/4"	38"	YPSB3827F	944.	992.	1,040.	1,088.	1,135.
	30"	1 1/4"	38"	YPSB3830F	971.	1,019.	1,069.	1,117.	1,167.
	36"	1 1/4"	38"	YPSB3836F	1,110.	1,166.	1,218.	1,274.	1,332.
	42"	1 1/4"	38"	YPSB3842F	1,173.	1,232.	1,291.	1,349.	1,409.
	48"	1 1/4"	38"	YPSB3848F	1,265.	1,331.	1,392.	1,454.	1,519.
	54"	1 1/4"	38"	YPSB3854F	1,332.	1,397.	1,464.	1,529.	1,596.
	60"	1 1/4"	38"	YPSB3860F	1,401.	1,474.	1,543.	1,613.	1,682.
	66"	1 1/4"	38"	YPSB3866FRR	1,570.	1,649.	1,730.	1,809.	1,886.
	72"	1 1/4"	38"	YPSB3872FRR	1,657.	1,741.	1,822.	1,905.	1,990.

Ordering Information

Desk Screens

1. Pattern Number
2. Inside Fabric Finish
3. Outside Fabric Finish
4. Frame Paint Finish
5. Bracket Paint Finish

Order Code

Desk Screens

Example: **YPSB2648F, W1077, 118T, 118T**

YPSB	Desk Screen
26	Height
48	Width
F	Fabric
W1077	Elements
W1077	Elements
118T	Bright White Paint
118T	Bright White Paint

Included With

Desk Screens
Brackets
Hardware

Options

Desk Screens

The price of screens specified with a combination of fabrics is the higher of the two fabric grades.

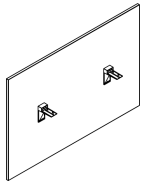
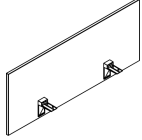
(RR) Fabric is applied railroaded

Desk Screens

Laminate, Markerboard or Veneer

For 42" High Horizon

description	w	d	h	pattern no.	Laminate (L)	Markerboard (LM)	V1 (V)	V2 (V)	V3 (V)
Screens with Partial Modesty For Desks, 42" High Horizon	24"	3/4"	20"	YPSB2024()	\$288.	\$498.	\$553.	\$636.	\$827.
	27"	3/4"	20"	YPSB2027()	293.	503.	563.	649.	841.
	30"	3/4"	20"	YPSB2030()	295.	505.	575.	661.	863.
	36"	3/4"	20"	YPSB2036()	333.	640.	602.	692.	901.
	42"	3/4"	20"	YPSB2042()	339.	645.	647.	743.	964.
	48"	3/4"	20"	YPSB2048()	438.	1,033.	677.	778.	1,008.
	54"	3/4"	20"	YPSB2054()	446.	1,039.	700.	806.	1,046.
	60"	3/4"	20"	YPSB2060()	451.	1,045.	758.	870.	1,134.
	66"	3/4"	20"	YPSB2066()	461.	1,054.	790.	911.	1,181.
	72"	3/4"	20"	YPSB2072()	467.	1,061.	818.	939.	1,218.
Screens with Half Modesty For Desks, 42" High Horizon	24"	3/4"	32"	YPSB3224()	323.	764.	643.	736.	960.
	27"	3/4"	32"	YPSB3227()	331.	770.	668.	771.	1,003.
	30"	3/4"	32"	YPSB3230()	375.	776.	691.	792.	1,033.
	36"	3/4"	32"	YPSB3236()	441.	1,036.	730.	838.	1,092.
	42"	3/4"	32"	YPSB3242()	451.	1,045.	801.	920.	1,199.
	48"	3/4"	32"	YPSB3248()	477.	1,814.	838.	964.	1,256.
	54"	3/4"	32"	YPSB3254()	486.	1,822.	886.	1,019.	1,327.
	60"	3/4"	32"	YPSB3260()	661.	1,828.	980.	1,124.	1,463.
	66"	3/4"	32"	YPSB3266()	677.	1,840.	1,028.	1,178.	1,532.
	72"	3/4"	32"	YPSB3272()	685.	1,853.	1,064.	1,221.	1,592.



Ordering Information

Desk Screens

1. Pattern Number
2. Surface Finish
3. Bracket Paint Finish

Order Code

Desk Screens

Example: **YPSB2048V, 006B, 118T**

YPSB Desk Screen

20 Height

48 Width

V Veneer

006B Maple

118T Bright White Paint

Included With

Desk Screens

- Brackets
- Hardware

Options

Desk Screens

Finish Options:

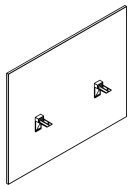
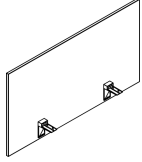
- (L)= Laminate
- (LM)= Markerboard
- (V)= Veneer

Desk Screens

Laminate, Markerboard or Veneer

For 49" High Horizon

description	w	d	h	pattern no.	Laminate (L)	Markerboard (LM)	V1 (V)	V2 (V)	V3 (V)
Screens with Partial Modesty For Desks, 49" High Horizon	24"	3/4"	26"	YPSB2624()	\$314.	\$756.	\$613.	\$705.	\$917.
	27"	3/4"	26"	YPSB2627()	319.	762.	628.	724.	940.
	30"	3/4"	26"	YPSB2630()	326.	765.	654.	754.	981.
	36"	3/4"	26"	YPSB2636()	334.	776.	687.	789.	1,030.
	42"	3/4"	26"	YPSB2642()	382.	784.	746.	857.	1,113.
	48"	3/4"	26"	YPSB2648()	419.	1,799.	785.	904.	1,174.
	54"	3/4"	26"	YPSB2654()	426.	1,809.	820.	939.	1,220.
	60"	3/4"	26"	YPSB2660()	449.	1,815.	911.	1,046.	1,359.
	66"	3/4"	26"	YPSB2666()	460.	1,824.	942.	1,084.	1,410.
	72"	3/4"	26"	YPSB2672()	590.	1,829.	977.	1,122.	1,458.
Screens with Half Modesty For Desks, 49" High Horizon	24"	3/4"	38"	YPSB3824()	374.	776.	685.	787.	1,025.
	27"	3/4"	38"	YPSB3827()	380.	781.	708.	817.	1,059.
	30"	3/4"	38"	YPSB3830()	384.	786.	731.	839.	1,093.
	36"	3/4"	38"	YPSB3836()	454.	1,046.	787.	905.	1,177.
	42"	3/4"	38"	YPSB3842()	470.	1,061.	866.	995.	1,295.
	48"	3/4"	38"	YPSB3848()	582.	1,825.	913.	1,049.	1,364.
	54"	3/4"	38"	YPSB3854()	597.	1,838.	968.	1,113.	1,446.
	60"	3/4"	38"	YPSB3860()	685.	1,853.	1,092.	1,255.	1,632.
	66"	3/4"	38"	YPSB3866()	697.	1,866.	1,145.	1,318.	1,714.
	72"	3/4"	38"	YPSB3872()	709.	1,877.	1,195.	1,373.	1,783.



Ordering Information

- Desk Screens**
1. Pattern Number
 2. Surface Finish
 3. Bracket Paint Finish

Order Code

Desk Screens

Example: **YPSB2648V, 006B, 118T**

YPSB Desk Screen

26 Height

48 Width

V Veneer

006B Maple

118T Bright White Paint

Included With

Desk Screens
Brackets
Hardware

Options

Desk Screens

Finish Options:
(L)= Laminate
(LM)= Markerboard
(V)= Veneer

Big Table Screens

Planning Guidelines and Specifications

Big Table Screens

Big table center screens provide enclosure above the center of a dual or single sided big table to a horizon of 42" or 49", which aligns with upmounted storage cabinets. Big table mounted screens have wedge shape brackets to friction-fit into the center beam at any point.

Screens are available from 24"-72" wide in 6" increments.

Two types of screens are available:

- Frameless laminate, marker surface, veneer or glass screens are 1/2" thick with matching edge and crisp, eased corners. Base fits flush with top of center beam.
- Fabric screens are 1 1/4" thick, with painted perimeter frame capturing a wood structural core and tackable, fabric wrapped inserts on each face.

Construction

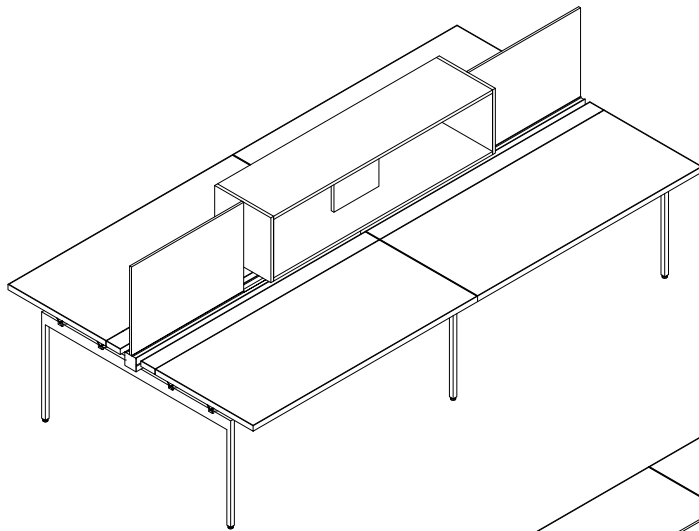
Frameless laminate or veneer screens are 1/2" MDF construction. Frameless glass screens are 1/2" tempered glass with polished edges.

Fabric screens have a 1/2" MDF core, with 3/8" thick tackable PET material inserts on each side wrapped in fabric, and aluminum perimeter frame with seamless corners.

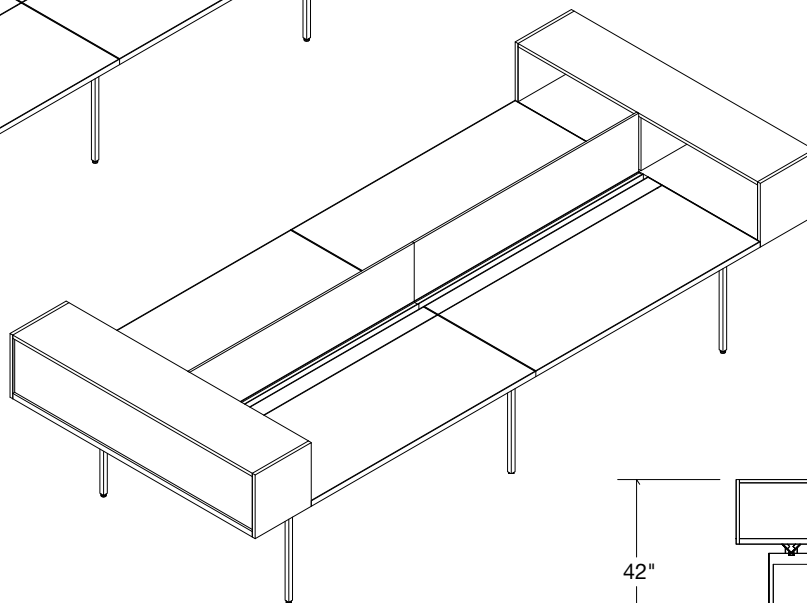
Specification Options

For frameless screens specify surface type: laminate (L) or veneer (V) or glass (G); finish, any core laminate, patterned or woodgrain laminate up to 60"W, dry-erase marker surface (M), any core Techwood or natural veneer, or core glass finishes. Also specify base color, in any core paint finish.

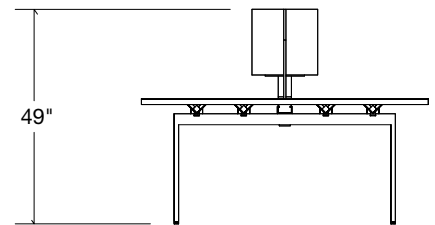
For fabric screens specify fabric, perimeter frame and brackets painted finishes.



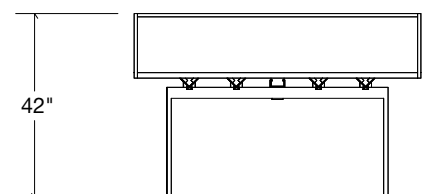
Big Table with 49"H Screens and Stanchion Mounted Cabinets



Big Table with 42"H Screens and Above Big Table Extension Cabinets



Big Table with 49"H Screens
End Elevation

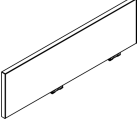


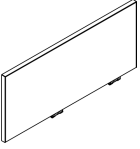
Big Table with 42"H Screens
End Elevation

Big Table Screens

Fabric

For 42" or 49" High Horizon

description	w	d	h	pattern no.	10	20	30	40	45
Fabric Screens For Big Table Center Beam, 42" High Horizon 	24"	1 1/4"	14"	YPSC1424F	\$613.	\$645.	\$677.	\$705.	\$734.
	30"	1 1/4"	14"	YPSC1430F	641.	672.	703.	734.	766.
	36"	1 1/4"	14"	YPSC1436F	692.	727.	760.	794.	830.
	42"	1 1/4"	14"	YPSC1442F	718.	754.	788.	827.	861.
	48"	1 1/4"	14"	YPSC1448F	763.	801.	838.	877.	916.
	54"	1 1/4"	14"	YPSC1454F	788.	829.	868.	907.	945.
	60"	1 1/4"	14"	YPSC1460F	808.	850.	889.	931.	970.
	66"	1 1/4"	14"	YPSC1466FRR	856.	898.	940.	984.	1,028.
72"	1 1/4"	14"	YPSC1472FRR	901.	944.	990.	1,036.	1,081.	

Fabric Screens For Big Table Center Beam, 49" High Horizon 	24"	1 1/4"	21"	YPSC2124F	680.	711.	747.	781.	814.
	30"	1 1/4"	21"	YPSC2130F	710.	747.	783.	820.	854.
	36"	1 1/4"	21"	YPSC2136F	808.	850.	889.	931.	970.
	42"	1 1/4"	21"	YPSC2142F	849.	890.	932.	977.	1,017.
	48"	1 1/4"	21"	YPSC2148F	874.	918.	961.	1,006.	1,047.
	54"	1 1/4"	21"	YPSC2154F	913.	959.	1,005.	1,049.	1,096.
	60"	1 1/4"	21"	YPSC2160F	953.	999.	1,046.	1,096.	1,142.
	66"	1 1/4"	21"	YPSC2166FRR	1,032.	1,083.	1,134.	1,184.	1,238.
72"	1 1/4"	21"	YPSC2172FRR	1,083.	1,137.	1,192.	1,247.	1,299.	

Ordering Information

Big Table Screens

1. Pattern Number
2. Fabric Finish
3. Frame Paint Finish

Order Code

Big Table Screens

Example: **YPSC1448F, W1077, 118T**

YPSC	Big Table Center Screen
14	Height
48	Width
F	Fabric
W1077	Element
118T	Bright White Paint

Included With

Big Table Screens

Brackets
Hardware

Options


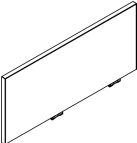
Big Table Screens

The price of screens specified with a combination of fabrics is the higher of the two fabric grades.

(RR) Fabric is applied railroaded.

Big Table Screens

Laminate, Markerboard, Veneer or Glass
For 42" or 49" High Horizon

description	w	d	h	pattern no.	Laminate (L)	Markerboard (LM)	V1 (V)	V2 (V)	V3 (V)	Clear Glass (GTEMP)	Powder Glass (GGL13)	Grey Tinted Glass (GGL35)
Screens For Big Table Center Beam, 42" High Horizon 	24"	1/2"	14"	YPSC1424()	\$222.	\$306.	\$571.	\$684.	\$889.	\$334.	\$509.	\$642.
	30"	1/2"	14"	YPSC1430()	242.	326.	614.	744.	997.	400.	618.	786.
	36"	1/2"	14"	YPSC1436()	270.	416.	636.	780.	1,081.	452.	719.	919.
	42"	1/2"	14"	YPSC1442()	301.	432.	680.	836.	1,191.	530.	838.	1,076.
	48"	1/2"	14"	YPSC1448()	382.	703.	699.	875.	1,274.	589.	939.	1,210.
	54"	1/2"	14"	YPSC1454()	402.	720.	750.	940.	1,390.	652.	1,047.	1,361.
	60"	1/2"	14"	YPSC1460()	420.	735.	797.	1,007.	1,505.	716.	1,159.	1,496.
	66"	1/2"	14"	YPSC1466()	440.	750.	833.	1,058.	1,609.	788.	1,278.	1,652.
72"	1/2"	14"	YPSC1472()	457.	759.	861.	1,100.	1,693.	849.	1,377.	1,779.	
Screens For Big Table Center Beam, 49" High Horizon 	24"	1/2"	21"	YPSC2124()	251.	394.	613.	754.	1,045.	402.	645.	874.
	30"	1/2"	21"	YPSC2130()	270.	416.	652.	817.	1,175.	483.	785.	1,069.
	36"	1/2"	21"	YPSC2136()	309.	549.	682.	868.	1,299.	553.	916.	1,258.
	42"	1/2"	21"	YPSC2142()	340.	565.	750.	959.	1,458.	643.	1,066.	1,464.
	48"	1/2"	21"	YPSC2148()	386.	964.	779.	1,010.	1,585.	710.	1,196.	1,652.
	54"	1/2"	21"	YPSC2154()	439.	984.	826.	1,078.	1,722.	789.	1,335.	1,855.
	60"	1/2"	21"	YPSC2160()	490.	999.	870.	1,150.	1,863.	868.	1,475.	2,045.
	66"	1/2"	21"	YPSC2166()	513.	1,014.	922.	1,226.	2,011.	957.	1,629.	2,262.
72"	1/2"	21"	YPSC2172()	530.	1,029.	964.	1,291.	2,135.	1,029.	1,754.	2,437.	

Ordering Information

Big Table Screens

1. Pattern Number
2. Surface Finish
3. Bracket Paint Finish

Order Code

Big Table Screens

Example: **YPSC1448V, 006B, 118T**

YPSC	Big Table Center Screen
14	Height
48	Width
V	Veneer
006B	Maple
118T	Bright White Paint

Included With

Big Table Screens

Brackets
Hardware

Options

Big Table Screens

Finish Options:

- (L) = Laminate
- (LM) = Markerboard
- (V) = Veneer
- (GTEMP) = Clear Glass
- (GGL13) = Powder Glass
- (GGL35) = Grey Tinted Glass

Intermediate Screens

Planning and Specification Guidelines

Intermediate screens are designed to plan anywhere along Antenna big tables or linked desk configurations to delineate individual workspaces.

Intermediate screens include a painted aluminum desktop mounting bracket that supports framed, tackable fabric or frameless glass, veneer, laminate or marker surface to a horizon of 42" or 49".

Intermediate screen brackets do not permit screen mount within 1 1/2" of end of desktop, or in combination with end panels.

Intermediate screens are available for two planning applications: full depth and hinged access depth.

Full depth intermediate screens correspond to Antenna top depths, 18", 24", 27", 30", 36", and attach with a clamp bracket around the front and back edges of the top.

Intermediate screens for hinged access tops, 16", 19", 22", are 8" less deep than hinged tops to enable full use of hinge feature. They attach with a clamp bracket around the front edge of the top and a non-skid pad on the top.

Construction

Fabric screens are 1 1/4" thick, with perimeter extruded aluminum frame, extruded aluminum base frame, cast aluminum clamp brackets and cast aluminum bayonets. Tackable fabric surfaces are 3/8" thick PET core, on either side of 1/2" thick particle board.

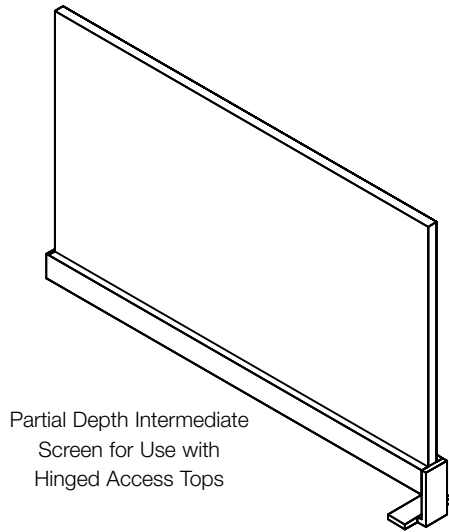
Laminate, veneer and glass screens are 1/2" thick, frameless, with a 1 1/4" high x 1 1/4" wide extruded aluminum base frame and cast aluminum clamp brackets.

Specification Options

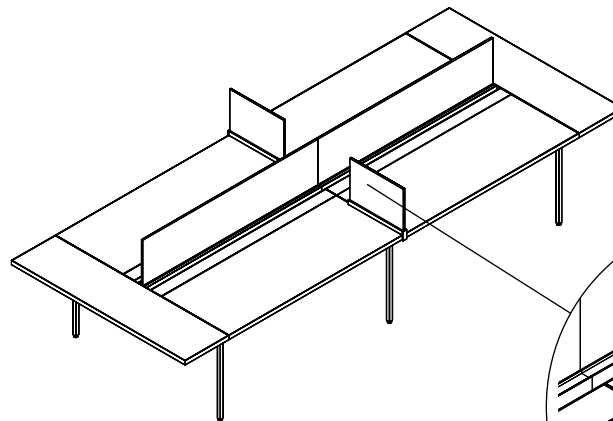
For fabric screens, specify with an Antenna approved textile. Specify perimeter frame in any Knoll Core paint finish.

For frameless screens, specify surface type: laminate (L) or veneer (V) or glass (G) finish in any Knoll Core laminate, patterned or woodgrain laminate, marker surface (M), any Core Techwood or natural veneer, or Core glass finishes.

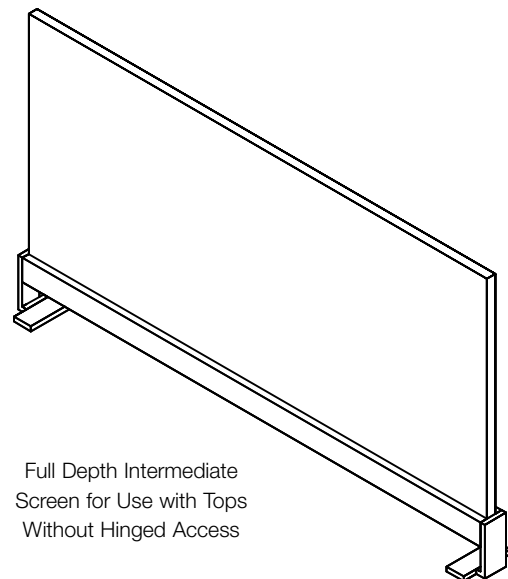
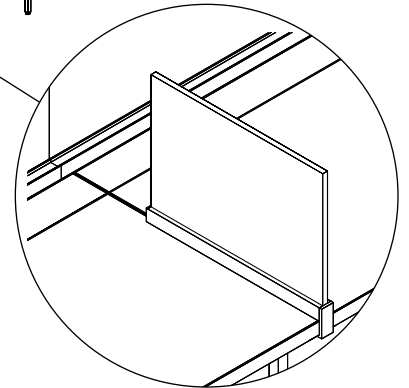
Specify bracket, in any Knoll Core paint finish.



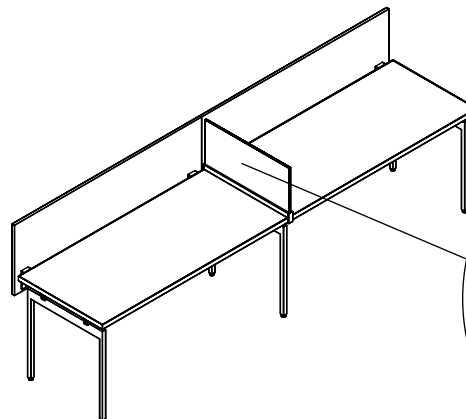
Partial Depth Intermediate Screen for Use with Hinged Access Tops



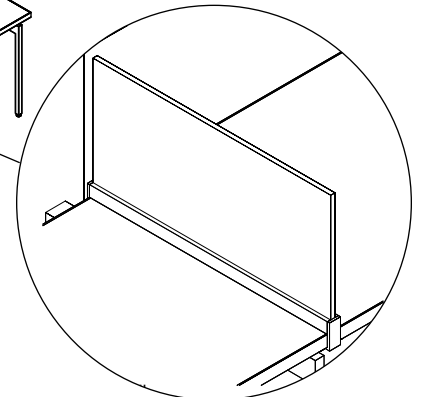
Big Table with Hinged Access Tops and Partial Depth Intermediate Screens



Full Depth Intermediate Screen for Use with Tops Without Hinged Access




Linked Desks Full Depth Intermediate Screens

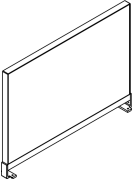


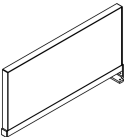
Intermediate Screens

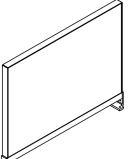
Fabric

For 42" or 49" High Horizon

description	type	w	d	h	pattern no.	10	20	30	40	45
 Full Depth Intermediate Screen, 42" High Horizon	For 18"D Tops w/o Hinged Access	1 1/4"	18"	14"	YPSI1418F	\$653.	\$686.	\$719.	\$752.	\$784.
	For 24"D Tops w/o Hinged Access	1 1/4"	24"	14"	YPSI1424F	685.	719.	754.	787.	823.
	For 27"D Tops w/o Hinged Access	1 1/4"	27"	14"	YPSI1427F	707.	743.	779.	813.	849.
	For 30"D Tops w/o Hinged Access	1 1/4"	30"	14"	YPSI1430F	723.	759.	792.	831.	866.
	For 36"D Tops w/o Hinged Access	1 1/4"	36"	14"	YPSI1436F	764.	803.	839.	881.	918.

 Full Depth Intermediate Screen, 49" High Horizon	For 18"D Tops w/o Hinged Access	1 1/4"	19"	21"	YPSI2118F	677.	709.	743.	778.	811.
	For 24"D Tops w/o Hinged Access	1 1/4"	24"	21"	YPSI2124F	718.	754.	789.	827.	861.
	For 27"D Tops w/o Hinged Access	1 1/4"	27"	21"	YPSI2127F	732.	770.	806.	841.	881.
	For 30"D Tops w/o Hinged Access	1 1/4"	30"	21"	YPSI2130F	753.	789.	828.	865.	903.
	For 36"D Tops w/o Hinged Access	1 1/4"	36"	21"	YPSI2136F	839.	883.	925.	968.	1,009.

 Partial Depth Intermediate Screen, 42" High Horizon	For 24"D Tops with Hinged Access	1 1/4"	16"	14"	YPSI1416F	642.	674.	705.	735.	768.
	For 27"D Tops with Hinged Access	1 1/4"	19"	14"	YPSI1419F	661.	697.	729.	763.	795.
	For 30"D Tops with Hinged Access	1 1/4"	22"	14"	YPSI1422F	677.	709.	743.	778.	811.
	For 36"D Tops with Hinged Access	1 1/4"	28"	14"	YPSI1428F	703.	736.	774.	807.	841.

 Partial Depth Intermediate Screen, 49" High Horizon	For 24"D Tops with Hinged Access	1 1/4"	16"	21"	YPSI2116F	658.	693.	726.	759.	790.
	For 27"D Tops with Hinged Access	1 1/4"	19"	21"	YPSI2119F	678.	710.	744.	779.	812.
	For 30"D Tops with Hinged Access	1 1/4"	22"	21"	YPSI2122F	705.	740.	778.	812.	846.
	For 36"D Tops with Hinged Access	1 1/4"	28"	21"	YPSI2128F	730.	766.	804.	839.	876.

Ordering Information

- Intermediate Screens**
1. Pattern Number
 2. Fabric Finish
 3. Bracket Paint Finish

Order Code

Intermediate Screens

Example: **YPSI2124F, W1077**

YPS	Screen
I	Intermediate
21	Height
24	Depth
F	Fabric
W1077	Element

Included With

Intermediate Screens
 Brackets
 Hardware

Options


Intermediate Screens

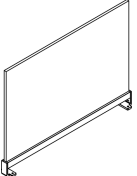
The price of screens specified with a combination of fabrics is the higher of the two fabric grades.

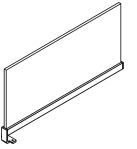
Intermediate Screens

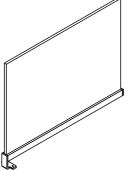
Laminate, Markerboard, Veneer or Glass

For 42" or 49" High Horizon

description	type	w	d	h	pattern no.	Laminate	Marker-	V1	V2	V3	Clear	Powder	Grey
						(L)	board	(V)	(V)	(V)	Glass	Glass	Tinted
						(L)	(LM)	(V)	(V)	(V)	(GTEMP)	(GGL13)	(GGL35)
 Full Depth Intermediate Screens, 42" High Horizon	For 18"D Tops w/o Hinged Access	1/2"	18"	14"	YPSI1418()	\$232.	\$306.	\$589.	\$679.	\$782.	\$304.	\$410.	\$520.
	For 24"D Tops w/o Hinged Access	1/2"	24"	14"	YPSI1424()	267.	386.	644.	727.	863.	370.	512.	657.
	For 27"D Tops w/o Hinged Access	1/2"	27"	14"	YPSI1427()	278.	400.	640.	747.	892.	405.	565.	730.
	For 30"D Tops w/o Hinged Access	1/2"	30"	14"	YPSI1430()	293.	415.	658.	778.	942.	440.	620.	805.
	For 36"D Tops w/o Hinged Access	1/2"	36"	14"	YPSI1436()	313.	470.	693.	825.	1,023.	499.	716.	936.

 Full Depth Intermediate Screens, 49" High Horizon	For 18"D Tops w/o Hinged Access	1/2"	18"	21"	YPSI2118()	252.	359.	613.	720.	867.	364.	517.	675.
	For 24"D Tops w/o Hinged Access	1/2"	24"	21"	YPSI2124()	291.	475.	641.	749.	893.	445.	650.	857.
	For 27"D Tops w/o Hinged Access	1/2"	27"	21"	YPSI2127()	305.	485.	680.	817.	1,028.	486.	718.	953.
	For 30"D Tops w/o Hinged Access	1/2"	30"	21"	YPSI2130()	319.	501.	702.	846.	1,077.	531.	789.	1,047.
	For 36"D Tops w/o Hinged Access	1/2"	36"	21"	YPSI2136()	343.	561.	728.	893.	1,168.	606.	913.	1,221.

 Partial Depth Intermediate Screens, 42" High Horizon	For 24"D Tops w/ Hinged Access	1/2"	16"	14"	YPSI1416()	219.	291.	570.	654.	749.	274.	371.	471.
	For 27"D Tops w/ Hinged Access	1/2"	19"	14"	YPSI1419()	234.	328.	593.	684.	792.	308.	422.	542.
	For 30"D Tops w/ Hinged Access	1/2"	22"	14"	YPSI1422()	244.	337.	610.	710.	840.	340.	475.	610.
	For 36"D Tops w/ Hinged Access	1/2"	28"	14"	YPSI1428()	271.	392.	661.	803.	1,022.	405.	572.	746.

 Partial Depth Intermediate Screens, 49" High Horizon	For 24"D Tops w/ Hinged Access	1/2"	16"	21"	YPSI2116()	234.	344.	593.	694.	825.	331.	466.	607.
	For 27"D Tops w/ Hinged Access	1/2"	19"	21"	YPSI2119()	256.	392.	612.	723.	874.	372.	535.	700.
	For 30"D Tops w/ Hinged Access	1/2"	22"	21"	YPSI2122()	267.	404.	631.	752.	925.	413.	602.	792.
	For 36"D Tops w/ Hinged Access	1/2"	28"	21"	YPSI2128()	297.	479.	677.	814.	1,033.	490.	730.	977.

Ordering Information

- Intermediate Screens**
1. Pattern Number
 2. Surface Finish
 3. Bracket Paint Finish

Order Code

Intermediate Screens	
<i>Example:</i>	YPSI2124L, 118, 118T
YPS	Screen
I	Intermediate
21	Height
24	Depth
L	Laminate
118	Bright White Laminate
118T	Bright White Paint

Included With

- Intermediate Screens**
- Brackets
 - Hardware

Options

Intermediate Screens

Finish Options

- (L) = Laminate
- (LM) = Markerboard
- (V) = Veneer
- (GTEMP) = Clear Glass
- (GGL13) = Powder Glass
- (GGL35) = Grey Tinted Glass

Desktop End screens are designed to plan at either end of Antenna desks, linked desk configurations, big tables or Telescope, Tone and k. stand height-adjustable tables to delineate individual workspaces from circulation paths.

End screens include a painted steel desktop mounting bracket that supports framed, tackable fabric or frameless glass, veneer, laminate or marker surface to a horizon of 42" or 49".

End screen brackets allow the screen to mount flush with the end of the top and may be used in combination with end panels.

End screens are full depth and correspond to Antenna top depths, 18", 24", 27", 30" and 36" as well as Tone and k. stand Dividends Horizon and Reff Profiles style top depths, 23", 29" and 35".

End screens attach with a clamp bracket around the front and back edges of the top. End screens may not be used with hinged access tops.

CONSTRUCTION

Fabric screens are 1 1/4" thick, with perimeter extruded aluminum frame, extruded aluminum base frame, cast steel clamp brackets and cast aluminum bayonets. Tackable fabric surfaces are 3/8" thick PET core, on either side of 1/2" thick particle board.

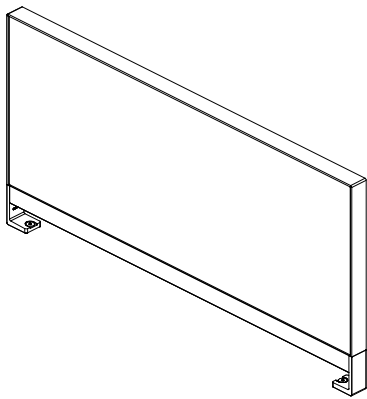
Laminate, veneer and glass screens are 1/2" thick, frameless, with a 1 1/4" high x 1 1/4" wide extruded aluminum base frame and cast steel clamp brackets.

SPECIFICATION OPTIONS

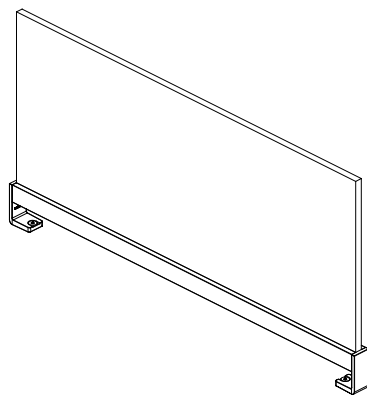
For fabric screens, specify with an Antenna approved textile. Specify perimeter frame in any Knoll Core paint finish.

For frameless screens, specify surface type: laminate (L) or veneer (V) or glass (G) finish in any Knoll Core laminate, patterned or woodgrain laminate, marker surface (M), any Core Techwood or natural veneer, or Core glass finishes.

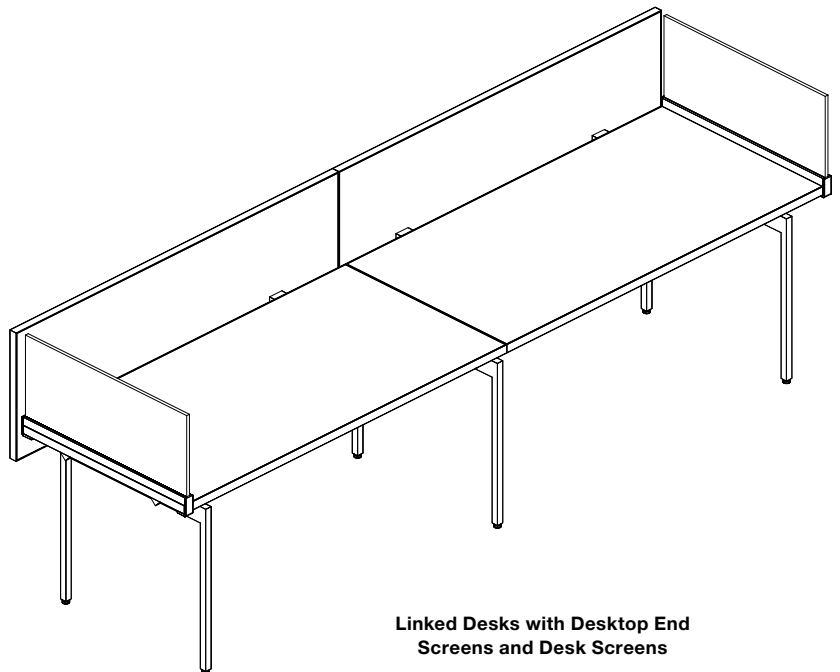
Specify bracket, in any Knoll core paint finish.



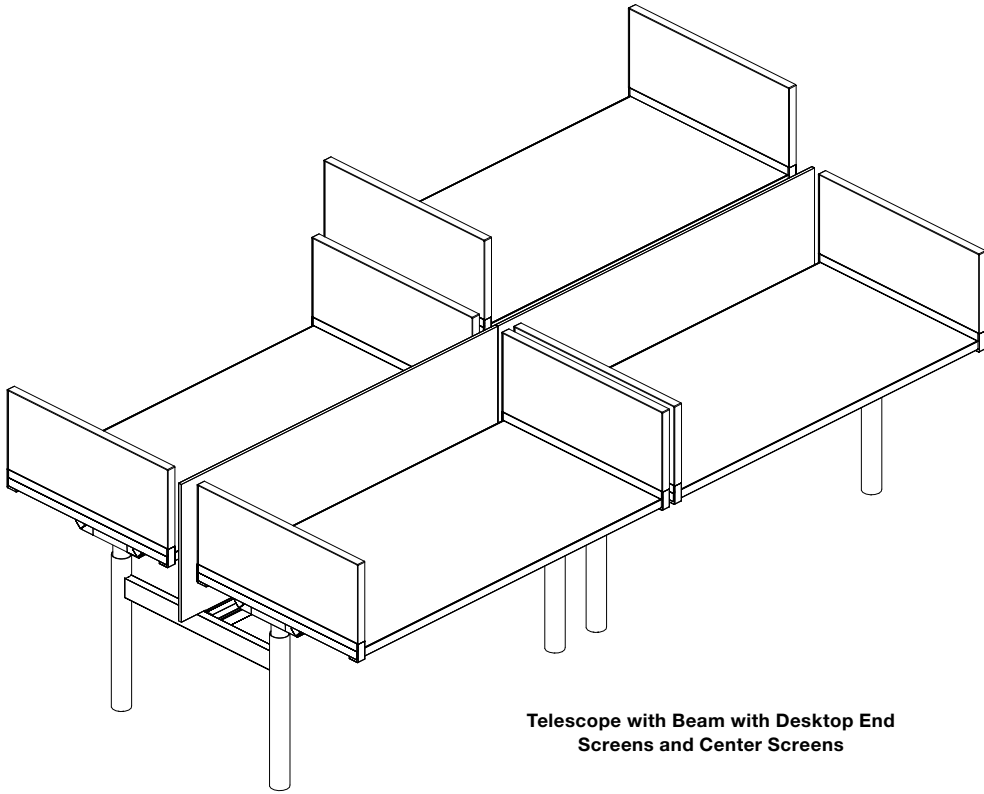
Full Depth Desktop End Screen (Upholstered)



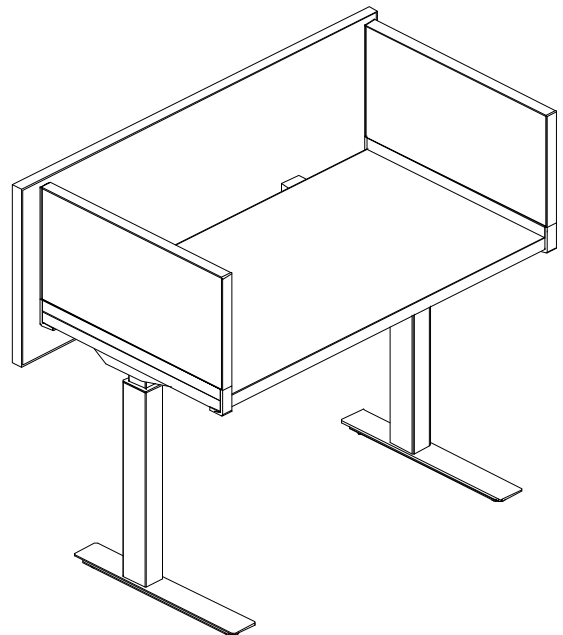
Full Depth Desktop End Screen (Non-Upholstered)



Linked Desks with Desktop End Screens and Desk Screens



Telescope with Beam with Desktop End Screens and Center Screens

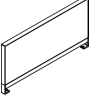
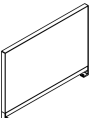


Tone with Desktop End Screens and Desk Screen

Desktop End Screens

Fabric

For 42" or 49" High Horizon

description	type	w	d	h	pattern no.	10	20	30	40	45
 Full Depth Desktop End Screen, 42" High Horizon	For 18"D Tops w/o Hinged Access	1 1/4"	18"	14"	YPSE1418F	\$734.	\$772.	\$808.	\$846.	\$882.
	For 23"D Tone or k.stand tops for Dividends Horizon and Ref Profiles	1 1/4"	23"	14"	YPSE1423F	766.	804.	842.	881.	919.
	For 24"D Tops w/o Hinged Access	1 1/4"	24"	14"	YPSE1424F	766.	804.	842.	881.	919.
	For 27"D Tops w/o Hinged Access	1 1/4"	27"	14"	YPSE1427F	788.	828.	867.	907.	946.
	For 29"D Tone or k.stand tops for Dividends Horizon and Ref Profiles	1 1/4"	29"	14"	YPSE1429F	804.	844.	884.	924.	965.
	For 30"D Tops w/o Hinged Access	1 1/4"	30"	14"	YPSE1430F	804.	844.	884.	924.	965.
	For 35"D Tone or k.stand tops for Dividends Horizon and Ref Profiles	1 1/4"	35"	14"	YPSE1435F	846.	888.	929.	971.	1,013.
	For 36"D Tops w/o Hinged Access	1 1/4"	36"	14"	YPSE1436F	846.	888.	929.	971.	1,013.
 Full Depth Desktop End Screen, 49" High Horizon	For 18"D Tops w/o Hinged Access	1 1/4"	18"	21"	YPSE2118F	758.	795.	833.	870.	909.
	For 23"D Tone or k.stand tops for Dividends Horizon and Ref Profiles	1 1/4"	23"	21"	YPSE2123F	798.	838.	878.	918.	959.
	For 24"D Tops w/o Hinged Access	1 1/4"	24"	21"	YPSE2124F	798.	838.	878.	918.	959.
	For 27"D Tops w/o Hinged Access	1 1/4"	27"	21"	YPSE2127F	814.	855.	895.	936.	977.
	For 29"D Tone or k.stand tops for Dividends Horizon and Ref Profiles	1 1/4"	29"	21"	YPSE2129F	834.	876.	917.	960.	1,000.
	For 30"D Tops w/o Hinged Access	1 1/4"	30"	21"	YPSE2130F	834.	876.	917.	960.	1,000.
	For 35"D Tone or k.stand tops for Dividends Horizon and Ref Profiles	1 1/4"	35"	21"	YPSE2135F	920.	967.	1,012.	1,059.	1,106.
	For 36"D Tops w/o Hinged Access	1 1/4"	36"	21"	YPSE2136F	920.	967.	1,012.	1,059.	1,106.

Ordering Information

- Desktop End Screens**
1. Pattern Number
 2. Fabric Finish
 3. Bracket Paint Finish

Order Code

Desktop End Screens

Example: **YPSE2124F, W4321, 118T**

YPS	Screen
E	Desktop End
21	Height
24	Depth
F	Fabric
W4321	Versatility
118T	Bright White Paint

Included With

Desktop End Screens
 Brackets
 Hardware

Options

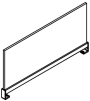
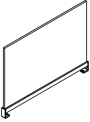
Desktop End Screens

The price of screens specified with a combination of fabrics is the higher of the two fabric grades.

Desktop End Screens

Laminate, Markerboard, Veneer or Glass

For 42" or 49" High Horizon

description	type	w	d	h	pattern no.	Laminate (L)	Marker-board (LM)	V1 (V)	V2 (V)	V3 (V)	Clear Glass (CTEMP)	Powder Glass (GGL13)	Grey Tinted Glass (GGL35)
 Full Depth Desktop End Screen, 42" High Horizon	For 18"D Tops w/o Hinged Access	1 1/4"	18"	14"	YPSE1418()	\$313.	\$388.	\$670.	\$760.	\$863.	\$385.	\$491.	\$602.
	For 23"D Tone or k.stand tops for Dividends Horizon and Ref Profiles	1 1/4"	23"	14"	YPSE1423()	348.	468.	725.	808.	944.	450.	593.	739.
	For 24"D Tops w/o Hinged Access	1 1/4"	24"	14"	YPSE1424()	348.	468.	725.	808.	944.	450.	593.	739.
	For 27"D Tops w/o Hinged Access	1 1/4"	27"	14"	YPSE1427()	359.	482.	721.	828.	972.	486.	646.	812.
	For 29"D Tone or k.stand tops for Dividends Horizon and Ref Profiles	1 1/4"	29"	14"	YPSE1429()	374.	495.	740.	859.	1,024.	521.	701.	886.
	For 30"D Tops w/o Hinged Access	1 1/4"	30"	14"	YPSE1430()	374.	495.	740.	859.	1,024.	521.	701.	886.
	For 35"D Tone or k.stand tops for Dividends Horizon and Ref Profiles	1 1/4"	35"	14"	YPSE1435()	395.	551.	774.	906.	1,104.	579.	796.	1,017.
	For 36"D Tops w/o Hinged Access	1 1/4"	36"	14"	YPSE1436()	395.	551.	774.	906.	1,104.	579.	796.	1,017.
 Full Depth Desktop End Screen, 49" High Horizon	For 18"D Tops w/o Hinged Access	1 1/4"	18"	21"	YPSE2118()	333.	440.	694.	801.	948.	445.	599.	755.
	For 23"D Tone or k.stand tops for Dividends Horizon and Ref Profiles	1 1/4"	23"	21"	YPSE2123()	372.	556.	722.	830.	974.	526.	731.	938.
	For 24"D Tops w/o Hinged Access	1 1/4"	24"	21"	YPSE2124()	372.	556.	722.	830.	974.	526.	731.	938.
	For 27"D Tops w/o Hinged Access	1 1/4"	27"	21"	YPSE2127()	386.	566.	761.	899.	1,109.	567.	798.	1,034.
	For 29"D Tone or k.stand tops for Dividends Horizon and Ref Profiles	1 1/4"	29"	21"	YPSE2129()	400.	581.	783.	926.	1,159.	613.	870.	1,128.
	For 30"D Tops w/o Hinged Access	1 1/4"	30"	21"	YPSE2130()	400.	581.	783.	926.	1,159.	613.	870.	1,128.
	For 35"D Tone or k.stand tops for Dividends Horizon and Ref Profiles	1 1/4"	35"	21"	YPSE2135()	424.	642.	810.	974.	1,249.	687.	994.	1,303.
	For 36"D Tops w/o Hinged Access	1 1/4"	36"	21"	YPSE2136()	424.	642.	810.	974.	1,249.	687.	994.	1,303.

Ordering Information

Desktop End Screen

1. Pattern Number
2. Surface Finish
3. Bracket Paint Finish

Order Code

Desktop End Screen Screens

Example: **YPSE2124L, 118,118T**

YPS	Screen
E	Desktop End
21	Height
24	Depth
L	Laminate
118	Bright White Laminate
118T	Bright White Paint

Included With

Desktop End Screen
 Brackets
 Hardware

Options

Desktop End Screen

Finish Options

(L) = Laminate
 (LM) = Markerboard
 (V) = Veneer
 (CTEMP) = Clear Glass
 (GGL13) = Powder Glass
 (GGL35) = Grey Tinted Glass

End Screens for Dual Big Table

Planning Guidelines and Specifications

End screens provide partial enclosure for the end of an Antenna big table, from a starting point 10 1/2" above the floor to a horizon of 42" or 49". The 10 1/2" starting point aligns with suspended files or cabinets. The 42" and 49" horizons correspond to center screens and stanchion mounted cabinets.

End screens are available in widths to align with the front edges of dual big tables with 18", 24", 27", 30" or 36" deep tops.

End screens include brackets to the ends of the big table tops in the space above end legs. Brackets create a 1 1/4" cord drop space between the ends of the tops and the inside face of the screen. End screens cannot be planned in combination with end panels.

End screens are available in laminate, marker, veneer or fabric surfaces. Laminate and veneer end screens are 3/4" thick, with matching color frameless edges.

Fabric end screens are 1 1/4" thick, with painted perimeter frame capturing a wood structural core and tackable fabric wrapped inserts on each face.

Construction

Frameless screens are 3/4" MDF-core construction, with threaded metal inserts at bracket locations. Screens include solid cast aluminum brackets and attachment hardware.

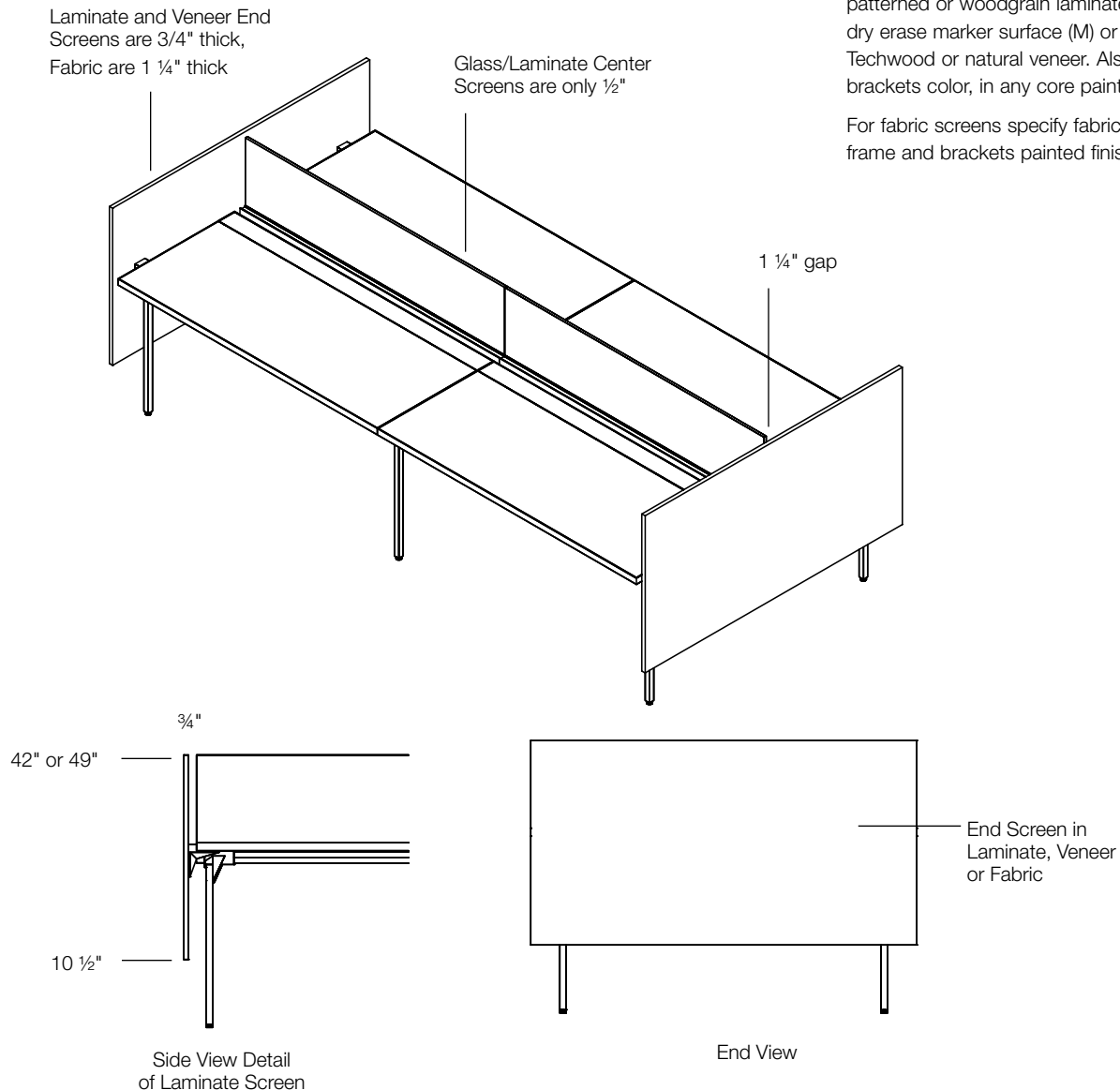
Laminate screens have 0.8mm ABS edge on four sides. Veneer screens feature vertical grain direction and 2.4 mm veneer edge.

Fabric screens have a 1/2" MDF core, with 3/8" thick tackable PET material inserts in each side wrapped in fabric and aluminum perimeter frame with seamless corners. Fabric screens have threaded metal inserts at bracket locations.

Specification Options

For end screens specify surface type: laminate (L) or veneer (V), any core laminate, patterned or woodgrain laminate up to 60"W, dry erase marker surface (M) or any core Techwood or natural veneer. Also specify brackets color, in any core painted finish.

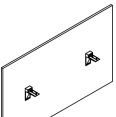
For fabric screens specify fabric, perimeter frame and brackets painted finishes.

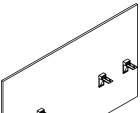


End Screens for Dual Big Table

Fabric

For 42" or 49" Horizons

description	type	w	d	h	pattern no.	grade						
						10	20	30	40	45	50	55
 End Screens to 42"H	For 18"D dual	41 1/2"	1 1/4"	32"	YPSB3241F	\$948.	\$996.	\$1,045.	\$1,092.	\$1,139.	\$1,187.	\$1,237.
	For 24"D dual	53 1/2"	1 1/4"	32"	YPSB3253F	990.	1,040.	1,089.	1,139.	1,189.	1,240.	1,288.
	For 27"D dual	59 1/2"	1 1/4"	32"	YPSB3259F	1,049.	1,101.	1,153.	1,206.	1,258.	1,311.	1,363.
	For 30"D dual	65 1/2"	1 1/4"	32"	YPSB3265FRR	1,217.	1,278.	1,340.	1,400.	1,461.	1,523.	1,585.
	For 36"D dual	77 1/2"	1 1/4"	32"	YPSB3277FRR	1,299.	1,364.	1,430.	1,493.	1,558.	1,624.	1,690.

 End Screens to 49"H	For 18"D dual	41 1/2"	1 1/4"	38"	YPSB3841F	1,026.	1,076.	1,127.	1,178.	1,228.	1,282.	1,333.
	For 24"D dual	53 1/2"	1 1/4"	38"	YPSB3853F	1,078.	1,133.	1,187.	1,243.	1,294.	1,349.	1,402.
	For 27"D dual	59 1/2"	1 1/4"	38"	YPSB3859F	1,143.	1,201.	1,257.	1,315.	1,371.	1,429.	1,485.
	For 30"D dual	65 1/2"	1 1/4"	38"	YPSB3865FRR	1,329.	1,395.	1,461.	1,528.	1,594.	1,661.	1,727.
	For 36"D dual	77 1/2"	1 1/4"	38"	YPSB3877FRR	1,415.	1,486.	1,557.	1,629.	1,698.	1,770.	1,841.

Ordering Information

End Screens

1. Pattern Number
2. Inside Fabric Finish
3. Outside Fabric Finish
4. Frame Paint Finish
5. Bracket Paint Finish

Order Code

End Screens

Example: **YPSB3241F, W1077, 118T, 118T**

YPSB	End Screen
32	Height
41	Width
F	Fabric
W1077	Element
W1077	Element
118T	Bright White Paint
118T	Bright White Paint

Included With

End Screens
Brackets
Hardware

Options

End Screens

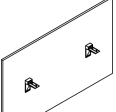
The price of screens specified with a combination of fabrics is the higher of the two fabric grades.


(RR) = Fabric is applied railroaded

End Screens for Dual Big Table

Laminate, Markerboard or Veneer

For 42" or 49" Horizons

description	type	w	d	h	pattern no.	Laminate (L)	Marker-board (LM)	V1 (V)	V2 (V)	V3 (V)
	For 18"D dual	41 1/2"	3/4"	32"	YPSB3241()	\$494.	\$772.	\$977.	\$1,084.	\$1,665.
	For 24"D dual	53 1/2"	3/4"	32"	YPSB3253()	525.	1,241.	1,050.	1,180.	1,910.
	For 27"D dual	59 1/2"	3/4"	32"	YPSB3259()	697.	1,250.	1,140.	1,271.	2,078.
	For 30"D dual	65 1/2"	3/4"	32"	YPSB3265()	813.	1,366.	1,267.	1,424.	2,302.
	For 36"D dual	77 1/2"	3/4"	32"	YPSB3277()	836.	1,389.	1,342.	1,522.	2,547.

	For 18"D dual	41 1/2"	3/4"	38"	YPSB3841()	512.	788.	1,019.	1,145.	1,830.
	For 24"D dual	53 1/2"	3/4"	38"	YPSB3853()	548.	1,260.	1,117.	1,272.	2,133.
	For 27"D dual	59 1/2"	3/4"	38"	YPSB3859()	720.	1,273.	1,201.	1,369.	2,318.
	For 30"D dual	65 1/2"	3/4"	38"	YPSB3865()	837.	1,390.	1,359.	1,544.	2,582.
	For 36"D dual	77 1/2"	3/4"	38"	YPSB3877()	868.	1,424.	1,432.	1,643.	2,856.

Ordering Information

Intermediate Screens

1. Pattern Number
2. Surface Finish
3. Bracket Paint Finish

Order Code

Intermediate Screens

Example: **YPSI2124L, 118, 118T**

YPS	Screen
I	Intermediate
21	Height
24	Depth
L	Laminate
118	Bright White Laminate
118T	Bright White Paint

Included With

Intermediate Screens

Brackets
Hardware

Options

Intermediate Screens

Finish Options

(L) = Laminate
(LM) = Markerboard
(V) = Veneer

Fence Screens

Fence screens provide enclosure above either height fence to a horizon of 42" or 49", which aligns with upmounted storage cabinets. Fence mounted screens have wedge shape base and can be secured to the fence with bolts into mounting locations every 3" along the center of the crown.

Screens are available from 24"-48" wide in 6" increments, plus 60" and 72" widths.

Two types of screens are available:

- Frameless laminate, marker surface, veneer or glass screens are 1/2" thick with matching edge and crisp, eased corners. Base fits flush with top of fence crown.
- Fabric screens are 1 1/4" thick, with painted perimeter frame capturing a wood structural core and tackable, fabric wrapped inserts on each face.

Construction

Frameless laminate or veneer screens are 1/2" MDF construction. Frameless glass screens are 1/2" tempered glass with polished edges.

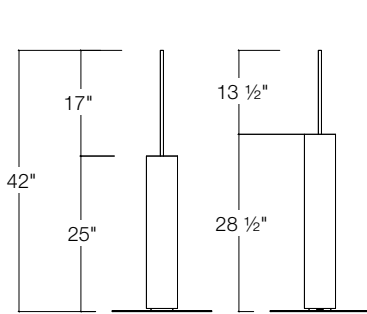
Fabric screens have a 1/2" MDF core, with 3/8" thick tackable PET material inserts on each side wrapped in fabric, and aluminum perimeter frame with seamless corners.

Specification Options

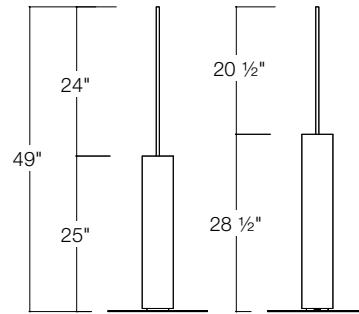
To specify fence screens identify fence height (25" or 28") and desired horizon (42" or 49" high).

For frameless screens specify surface type: laminate (L) or veneer (V) or glass (G); finish, any core laminate, patterned or woodgrain laminate up to 60"W, dry-erase marker surface (M), any core Techwood or natural veneer, or core glass finishes. Also specify base color, in any core paint finish.

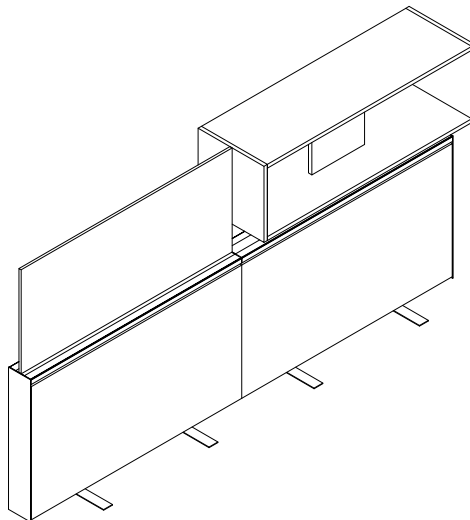
For fabric screens specify fabric, perimeter frame and bracket painted finishes.



Fence with Screens, 42" High Horizon



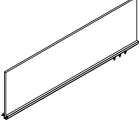
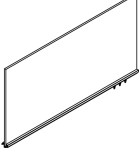


Fence with Screens, 49" High Horizon



Screen and Cabinet Align at 49"H

Fabric

For 25" and 28" High Fence, 42" and 49" High Horizon

description	w	d	h	pattern no.	list	10	20	30	40	45
Fabric Screens for 25" High Fence, 42" High Horizon 	24"	1 1/4"	17"	YPSF1724F	n/a	\$657.	\$691.	\$722.	\$754.	\$789.
	36"	1 1/4"	17"	YPSF1736F	n/a	747.	785.	824.	860.	898.
	48"	1 1/4"	17"	YPSF1748F	n/a	829.	869.	910.	953.	993.
	60"	1 1/4"	17"	YPSF1760F	n/a	874.	916.	960.	1,005.	1,048.
	72"	1 1/4"	17"	YPSF1772FRR	n/a	979.	1,028.	1,076.	1,126.	1,177.
Fabric Screens for 25" High Fence, 49" High Horizon 	24"	1 1/4"	24"	YPSF2424F	n/a	716.	751.	789.	824.	857.
	36"	1 1/4"	24"	YPSF2436F	n/a	868.	910.	955.	997.	1,042.
	48"	1 1/4"	24"	YPSF2448F	n/a	945.	994.	1,043.	1,087.	1,135.
	60"	1 1/4"	24"	YPSF2460F	n/a	1,033.	1,083.	1,135.	1,187.	1,238.
	72"	1 1/4"	24"	YPSF2472FRR	n/a	1,151.	1,210.	1,267.	1,325.	1,382.
Fabric Screens for 28" High Fence, 42" High Horizon 	24"	1 1/4"	14"	YPSF1424F	n/a	627.	660.	693.	722.	754.
	36"	1 1/4"	14"	YPSF1436F	n/a	708.	744.	778.	814.	849.
	48"	1 1/4"	14"	YPSF1448F	n/a	780.	821.	857.	899.	936.
	60"	1 1/4"	14"	YPSF1460F	n/a	829.	869.	910.	953.	993.
	72"	1 1/4"	14"	YPSF1472FRR	n/a	913.	959.	1,005.	1,050.	1,097.
Fabric Screens for 28" High Fence, 49" High Horizon 	24"	1 1/4"	21"	YPSF2124F	n/a	690.	722.	758.	792.	826.
	36"	1 1/4"	21"	YPSF2136F	n/a	829.	869.	910.	953.	993.
	48"	1 1/4"	21"	YPSF2148F	n/a	894.	938.	984.	1,026.	1,072.
	60"	1 1/4"	21"	YPSF2160F	n/a	972.	1,022.	1,071.	1,119.	1,166.
	72"	1 1/4"	21"	YPSF2172FRR	n/a	1,106.	1,160.	1,217.	1,270.	1,327.
Fabric Screen Fillers for Fence	24"			YPSFF24	67.	n/a	n/a	n/a	n/a	n/a
	36"			YPSFF36	93.	n/a	n/a	n/a	n/a	n/a
	48"			YPSFF48	120.	n/a	n/a	n/a	n/a	n/a
	60"			YPSFF60	146.	n/a	n/a	n/a	n/a	n/a
	72"			YPSFF72	173.	n/a	n/a	n/a	n/a	n/a

Ordering Information

Big Table Screens

1. Pattern Number
2. Fabric Finish
3. Frame Paint Finish

Order Code

Big Table Screenss

Example: **YPSC1448F, W1077, 118T**

YPSC	Big Table Center Screen
14	Height
48	Width
F	Fabric
W1077	Element
118T	Bright White Paint

Included With

Big Table Screens
Brackets
Hardware

Options


Big Table Screens


The price of screens specified with a combination of fabrics is the higher of the two fabric grades.


(RR) Fabric is applied railroaded.


Laminate, Markerboard, Veneer or Glass

For 25" and 28" High Fence, 42" and 49" High Horizon

description	w	d	h	pattern no.	Laminate (L)	Markerboard (LM)	V1 (V)	V2 (V)	V3 (V)	Clear Glass (GTEMP)	Powder Glass (GL13)	Grey Tinted Glass (GGL35)
Screens for 25" High Fence, 42" High Horizon 	24"	1/2"	17"	YPSF1724()	\$301.	\$447.	\$644.	\$770.	\$1,019.	\$412.	\$614.	\$776.
	36"	1/2"	17"	YPSF1736()	366.	610.	722.	889.	1,258.	553.	852.	1,116.
	48"	1/2"	17"	YPSF1748()	530.	1,050.	826.	1,033.	1,515.	716.	1,119.	1,466.
	60"	1/2"	17"	YPSF1760()	581.	1,100.	935.	1,179.	1,780.	872.	1,374.	1,822.
	72"	1/2"	17"	YPSF1772()	634.	1,138.	1,019.	1,303.	2,022.	1,025.	1,629.	2,165.

Screens for 25" High Fence, 49" High Horizon 	24"	1/2"	24"	YPSF2424()	326.	707.	712.	862.	1,200.	505.	797.	1,011.
	36"	1/2"	24"	YPSF2436()	408.	745.	814.	1,016.	1,510.	683.	1,119.	1,459.
	48"	1/2"	24"	YPSF2448()	511.	1,826.	917.	1,176.	1,829.	884.	1,463.	1,916.
	60"	1/2"	24"	YPSF2460()	579.	1,881.	1,051.	1,362.	2,178.	1,074.	1,800.	2,377.
	72"	1/2"	24"	YPSF2472()	758.	1,920.	1,166.	1,530.	2,508.	1,268.	2,137.	2,828.

Screens for 28" High Fence, 42" High Horizon 	24"	1/2"	14"	YPSF1424()	277.	360.	627.	743.	947.	388.	567.	677.
	36"	1/2"	14"	YPSF1436()	334.	479.	702.	846.	1,149.	519.	789.	970.
	48"	1/2"	14"	YPSF1448()	465.	792.	784.	959.	1,360.	672.	1,029.	1,274.
	60"	1/2"	14"	YPSF1460()	516.	841.	899.	1,107.	1,602.	820.	1,266.	1,582.
	72"	1/2"	14"	YPSF1472()	568.	876.	977.	1,218.	1,813.	966.	1,502.	1,877.

Screens for 28" High Fence, 49" High Horizon 	24"	1/2"	21"	YPSF2124()	303.	451.	670.	814.	1,107.	460.	704.	912.
	36"	1/2"	21"	YPSF2136()	372.	477.	747.	935.	1,369.	619.	986.	1,310.
	48"	1/2"	21"	YPSF2148()	537.	1,055.	866.	1,099.	1,670.	799.	1,290.	1,723.
	60"	1/2"	21"	YPSF2160()	588.	1,107.	972.	1,255.	1,965.	972.	1,588.	2,138.
	72"	1/2"	21"	YPSF2172()	646.	1,145.	1,081.	1,408.	2,260.	1,146.	1,887.	2,544.

Ordering Information

- Fence Screens**
1. Pattern Number
 2. Surface Finish
 3. Bracket Paint Finish

Order Code

Fence Screens	
<i>Example:</i>	YPSF1448V, 006B, 118T
YPSF	Fence Screen
14	Height
48	Width
V	Veneer
006B	Maple
118T	Bright White Paint

Included With

- Fence Screens**
- Brackets
 - Hardware

Options

- Fence Screens**
- Finish Options:**
- (L) = Laminate
 - (LM) = Markerboard
 - (V) = Veneer
 - (GTEMP) = Clear Glass
 - (GGL13) = Powder Glass
 - (GGL35) = Grey Tinted Glass

S Screens

Planning Guidelines and Specifications

S Screens

S screens attach to the back of a desktop to provide enclosure both above and below the desktop. The distinctive curved profile transitions from the 10 ½" high vertical modesty panel to a horizontal transaction surface at the 42" horizon.

The screen desk mount brackets enable a full 1 ¼" cord drop space between the back edge of the top and the inside of the screen.

Sapper monitor arms should not be used on the back edge of desk tops with S screens

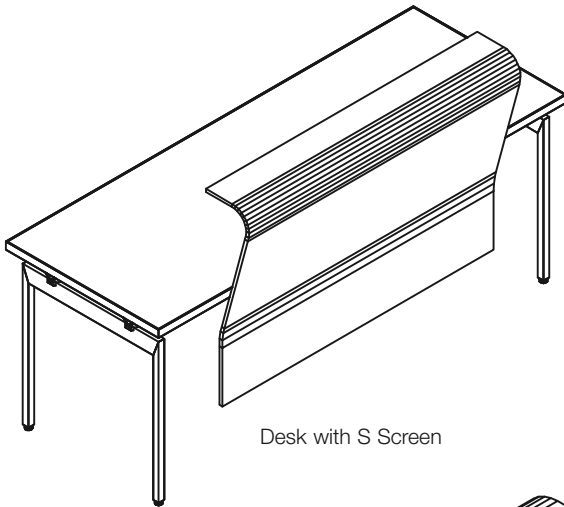
Construction

S screens are ½" thick plywood core with applied laminate on both faces and clear finish on side edges.

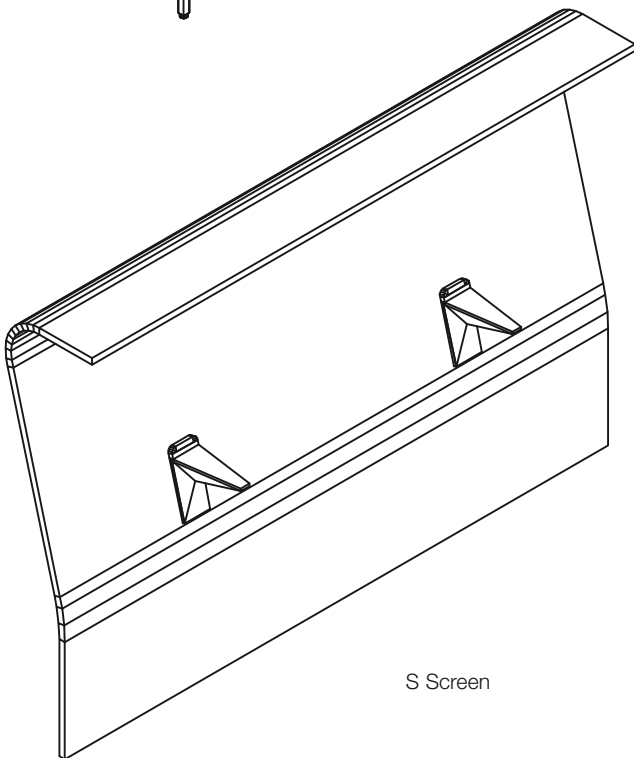
Specification Options

S screens are available in White or Folkstone laminate.

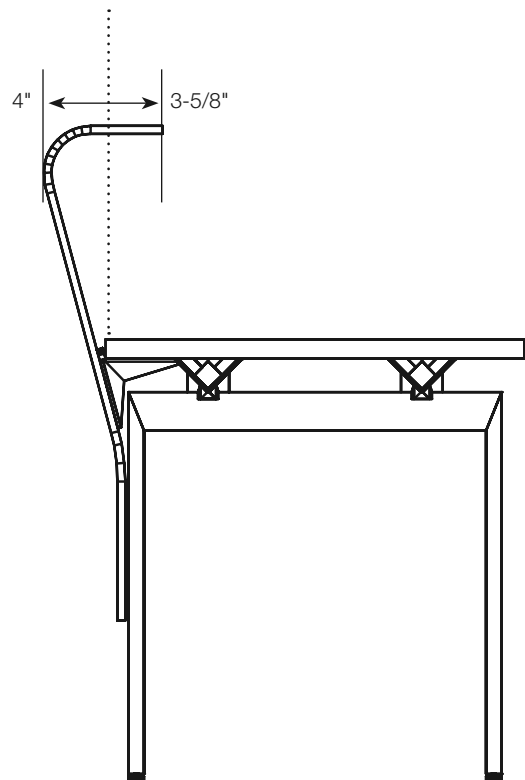
Specify mounting brackets in any Knoll Core paint finish.



Desk with S Screen



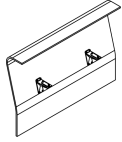
S Screen



Desk with S Screen End Elevation

S Screens
Laminate
For 42" High Horizon

description	type	w	d	h	pattern no.	Laminate (L)
S Screen	For Attachment to Desk	48"	7 1/2"	32"	YPSS3248()	\$1,456.



Ordering Information

S Screens

1. Pattern Number
2. Surface Finish
3. Bracket Paint Finish

Order Code

S Screens

Example: **YPSS3248L**

YPS	Screen
S	S Shape
32	Height
48	Width
L	Laminate
118	Bright White Laminate
118T	Bright White Paint

Included With

S Screens

Attachment brackets
 Hardware

S Screen

Material Finish Options:
 (L) = Laminate

S Screens are available in the following finishes:

- (118) Bright White Laminate
- (114) Folkstone Grey Laminate

Floorstanding Desk Mounted Screens

Floorstanding desk mounted L screens are available in 42" and 49" high horizons creating two different privacy level options.

L screens are designed to wrap around a corner of a desk, with a 36" or 48"W panel generally along the back edge of the desk, and a 12" or 18"W panel along part of the side of the desk top. Both sides are bracketed to the underside of the top, and are also supported by adjustable levelers at the floor. Desk mount brackets are included for stability.

L screens are handed, so, for example, the left hand version of a 36" wide by 18" deep screen has the 18" wide panel on the left and

the 36" wide panel on the right, from a seated position at the desk. Right hand version has the 18" wide panel on the right and the 36" wide panel on the left, from a seated position.

The L screen corner bracket should be specified when planning an L screen to surround a pedestal supported desktop. A floorstanding pedestal can block access to the standard screen bracket at the end of the top. The brace is installed 25 1/4" above the floor (immediately above floorstanding pedestal height) to join the two panels of the L together. Then the two screen brackets that normally connect each of the panels now are both installed on the long side of the

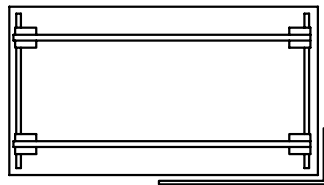
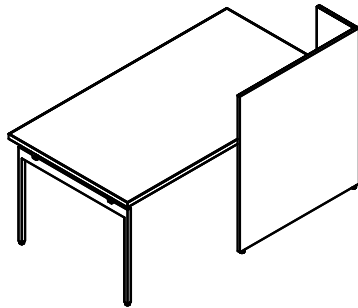
L, to the back side of the top. The bracket is for the most part concealed by the top, though visible just below the 1 1/4" deep cord drop around the corner of the desktop.

Construction

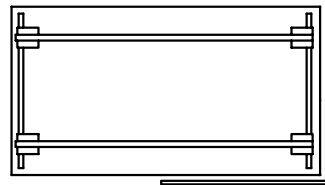
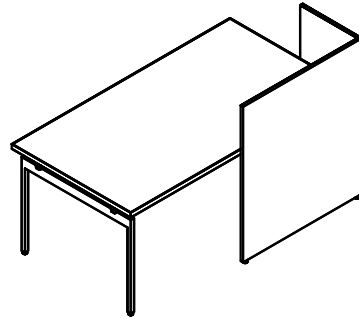
Floorstanding screens are 3/4" MDF construction with surface laminate or veneer on all faces, and 1" diameter levelers with 1 1/2" travel. The L screen corner bracket is die cast aluminum.

Specification Options

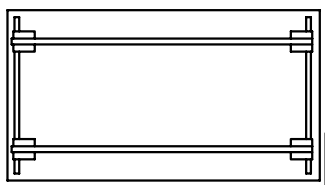
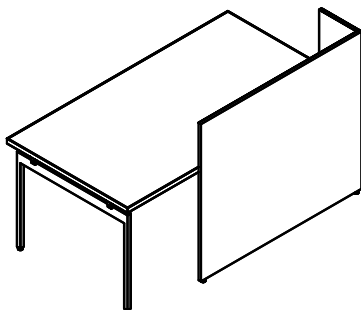
For L screen specify vertical surface type (L or V) and finish in any core laminate, patterned or woodgrain laminate up to 60"W, or veneer, and bracket finish in any core paint finish. The L screen corner bracket can be specified in any Core paint finish.



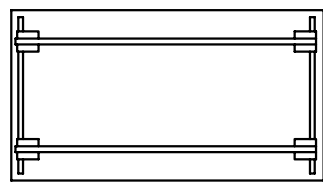
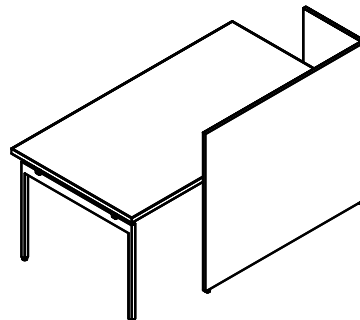
42" High 36" Wide 12" Deep
L Screen, Left End of Desk



42" High 36" Wide 18" Deep
L Screen, Left End of Desk



42" High 48" Wide 12" Deep
L Screen, Left End of Desk

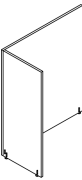
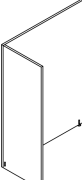


42" High 48" Wide 18" Deep
L Screen, Left End of Desk

Floorstanding Desk Screens

Laminate and Veneer L-Screens

42" and 49" High

description	type	w	d	h	pattern no.	list	Laminate (L)	V1 (V)	V2 (V)	V3 (V)
 <p>42" High L Screens</p>	Left End of Desk	36"	12"	42"	YSFSL423612()	n/a	\$652.	\$1,173.	\$1,349.	\$1,822.
	Right End of Desk	36"	12"	42"	YSFSR423612()	n/a	652.	1,173.	1,349.	1,822.
	Left End of Desk	36"	18"	42"	YSFSL423618()	n/a	652.	1,173.	1,349.	1,822.
	Right End of Desk	36"	18"	42"	YSFSR423618()	n/a	652.	1,173.	1,349.	1,822.
	Left End of Desk	48"	12"	42"	YSFSL424812()	n/a	783.	1,409.	1,619.	2,187.
	Right End of Desk	48"	12"	42"	YSFSR424812()	n/a	783.	1,409.	1,619.	2,187.
	Left End of Desk	48"	18"	42"	YSFSL424818()	n/a	783.	1,409.	1,619.	2,187.
	Right End of Desk	48"	18"	42"	YSFSR424818()	n/a	783.	1,409.	1,619.	2,187.
<i>Left Shown</i>										
 <p>49" High L Screens</p>	Left End of Desk	36"	12"	49"	YSFSL493612()	n/a	783.	1,409.	1,619.	2,187.
	Right End of Desk	36"	12"	49"	YSFSR493612()	n/a	783.	1,409.	1,619.	2,187.
	Left End of Desk	36"	18"	49"	YSFSL493618()	n/a	783.	1,409.	1,619.	2,187.
	Right End of Desk	36"	18"	49"	YSFSR493618()	n/a	783.	1,409.	1,619.	2,187.
	Left End of Desk	48"	12"	49"	YSFSL494812()	n/a	939.	1,695.	1,950.	2,631.
	Right End of Desk	48"	12"	49"	YSFSR494812()	n/a	939.	1,695.	1,950.	2,631.
	Left End of Desk	48"	18"	49"	YSFSL494818()	n/a	939.	1,695.	1,950.	2,631.
	Right End of Desk	48"	18"	49"	YSFSR494818()	n/a	939.	1,695.	1,950.	2,631.
<i>Left Shown</i>										
L Screen Corner Bracket	For L Screen Applications with Pedestals				YSFSB	42.	n/a	n/a	n/a	n/a

Ordering Information

- L Screen**
1. Pattern Number
 2. Vertical Surface Finish
 3. Bracket Paint Finish

Order Code

L Screens	
<i>Example:</i>	YSFSL423618L, 118, 118T
YSFS	L Screen
L	Left Hand
42	Height
36	Width
18	Depth
L	Laminate
118	Bright White Laminate
118T	Bright White Paint

Included With

Floorstanding Screens
Brackets
Hardware

Options

Floorstanding Screens Finish Options:
(L)=Laminate
(V)=Veneer

Antenna Storage

Antenna storage comprises a broad scope of storage options for suspended files, books and binders, coats and secure storage of personal items and electronics. The scope includes both metal and wood construction, desk mounted, stanchion supported, wall mounted and floorstanding components. Antenna storage is finished on all sides to define work areas, complement individual workspaces and articulate group work and activity areas.

Storage for desks includes pedestals, laptop drawers, suspended, desk-height and floorstanding extension cabinets. Desk extension cabinets are also available for the ends of a big table.

For big tables and Fence, storage options also include stanchion mounted platform shelves and storage cabinets.

For offices and team spaces, Antenna storage cabinets and shelves can be wall mounted or floorstanding.

For group meeting or activity spaces, shelf cabinets can be freestanding storage walls for privacy or space definition.

Antenna Storage Surfaces and Options

Antenna storage components may be finished in a monolithic painted, laminate or veneer surface. Suspended and stanchion mounted open storage cabinets can also be specified in a contrasting interior color laminate. Interior laminate options include core laminates and five accent laminate colors. Storage with enclosed fronts can be specified with painted or laminate case and wood or contrasting core laminate front.

Pulls for Drawers and Doors

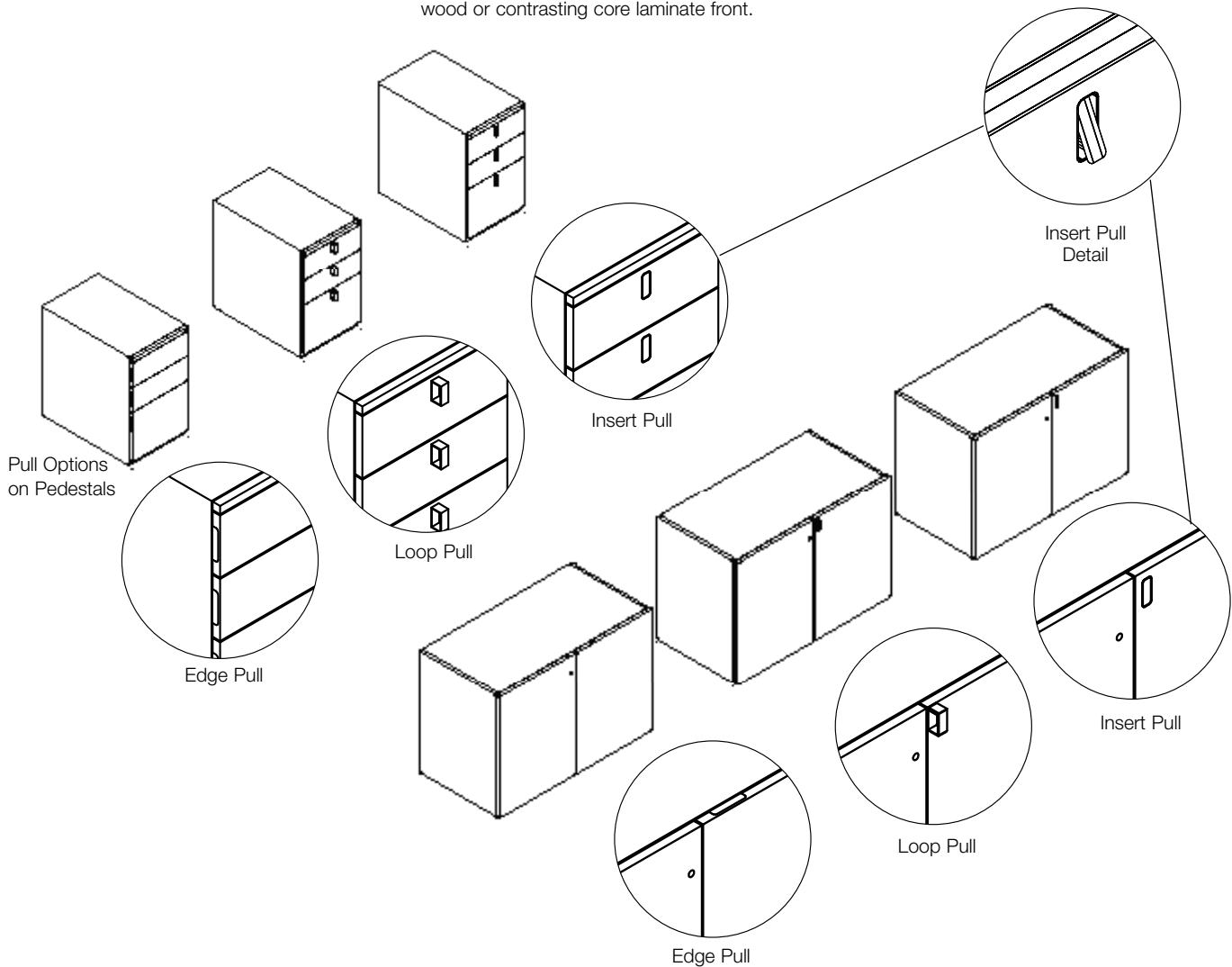
Pedestals and suspended file and hinged door fronts are available with three pull profiles:

Edge pull, a discreet recess in left and right hand edges of drawers and top edge of doors is available in chrome (PD) finish or in any Knoll core paint finish, Dark Red (131) or Slate Blue (132).

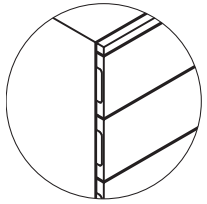
Insert pull, a fingertip hinged tab flush with the front is available in a chrome (PD) finish.

Loop pull, a small open square loop on the surface of the front is available in any Knoll core paint finish, Dark Red (131) or Slate Blue (132).

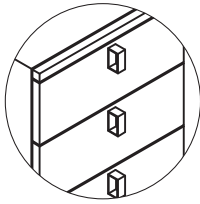
Sliding door fronts include a discreet vertical pull in any Knoll core paint finish.



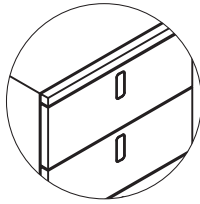
Pedestal Drawer Pull Options



Edge Pull

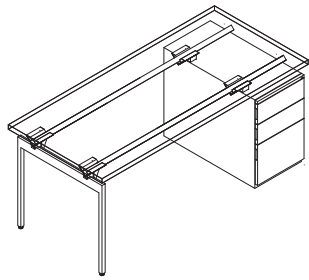


Loop Pull

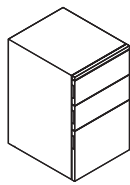


Insert Pull

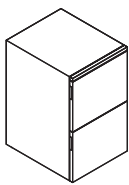
Floorstanding Pedestals



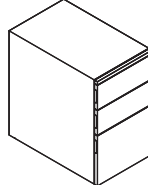
Antenna Desk with Righthanded Floorstanding Pedestal



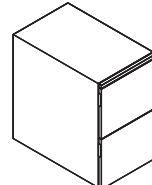
Box/Box/File Pedestal
18" Deep



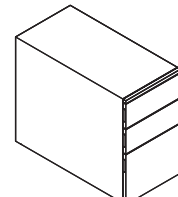
File/File Pedestal
18" Deep



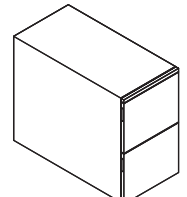
Box/Box/File Pedestal
24" Deep



File/File Pedestal
24" Deep

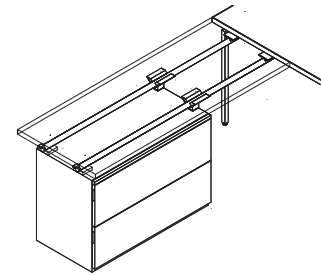


Box/Box/File Pedestal
30" Deep

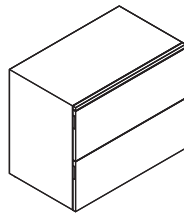


File/File Pedestal
30" Deep

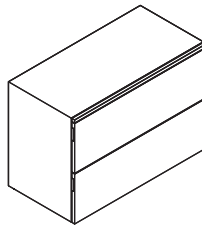
Floorstanding and Freestanding Double Wide Pedestals



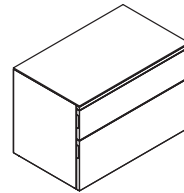
Antenna Desk with Double Wide Pedestal



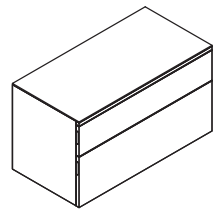
File/File Double Wide Pedestal
30" Wide



File/File Double Wide Pedestal
36" Wide

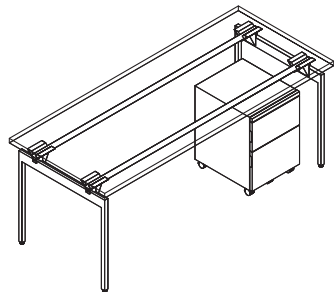


Data/File Double Wide Pedestal
30" Wide

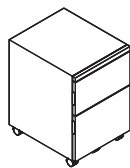


Data/File Double Wide Pedestal
36" Wide

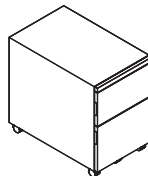
Mobile Pedestals



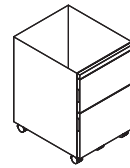
Antenna Desk with Personal/File Mobile Pedestal



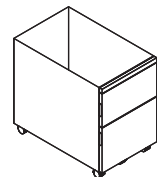
Personal/File Mobile Pedestal
18" Deep



Personal/File Mobile Pedestal
24" Deep



Personal/File Mobile Pedestal with Open Top for Seat Pad
18" Deep



Personal/File Mobile Pedestal with Open Top for Seat Pad
24" Deep

Pedestals

Floorstanding

Planning Guidelines and Specifications

Floorstanding Pedestals

Floorstanding pedestals provide fixed location storage under a desk or return.

Pedestals are 25" high steel cabinets in file/ file or box/box/file configurations that are sized to fit below and connect to desk rails. Floorstanding pedestals can take the place of a leg, in combination with YBATE25 pedestal adapter kit and appropriate ballast, to support one end of a desk top. Ballast kits are required for stability of freestanding desk applications, but may not be required where other end of desk is connected to Fence or perpendicular desk. Ballast kits are available in specific weights for each pedestal depth.

Positioning brackets (YSFA) stabilize and maintain position of floorstanding 25" high pedestals under desk or big table rails when the pedestal is not integrated into the desk structure. Positioning brackets enable floorstanding pedestals to mount adjacent to end legs or other floorstanding pedestals that are connected to the desk with YBATE25 brackets. They are also applicable under bridge tops or tops supported by Fence or Template storage. Positioning brackets fasten with screws into the holes in the top of the pedestal corresponding to desk support rails, or they may be adhered in position under the rails of a big table (adhesive not included in kit).

Ballast kits are still recommended for most floorstanding pedestal but positioning brackets may make ballast unnecessary for pedestals in multiple-position big tables.

Metal pedestals are available in painted steel case with painted wood, laminate or veneer fronts.

Pencil trays can be specified along with pedestals. The five section pencil tray rides on drawer sides of box or file drawers.

Construction

Floorstanding pedestals include full painted steel surround with no seams at back corners, flat steel top, full extension drawer slides and leveling glides with 2" range. Steel top is specified to have mounting holes for adapter kit on right or left side. Actual case height is 24" and stands 1" above the floor. Actual case width is 15" and depths are 17 1/2", 23 1/2", and 29 1/2".

File drawers on 18"D cabinets are 12"W x 15"D and support letter or legal suspended file folders. File drawers on 24"D and 30"D cabinets are 12"W x 21"D and include a divider to enable full depth letter or side to side legal suspended filing.

Box drawers are 5"H x 12"W x 15" or 21"D and can support Knoll universal pencil tray (specified separately).

Pencil trays are plastic injection molded construction, 13 1/4" wide, 5 7/16" deep and 7/8" high.

Specification Options

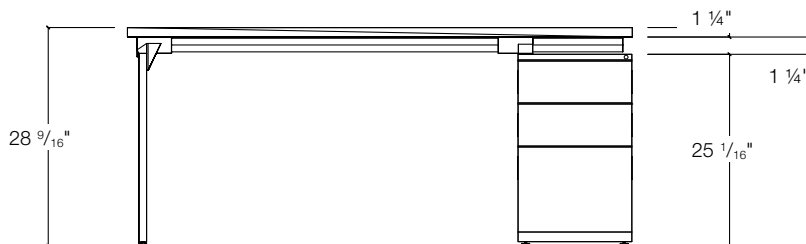
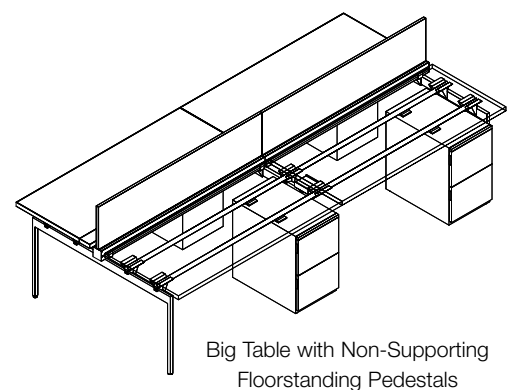
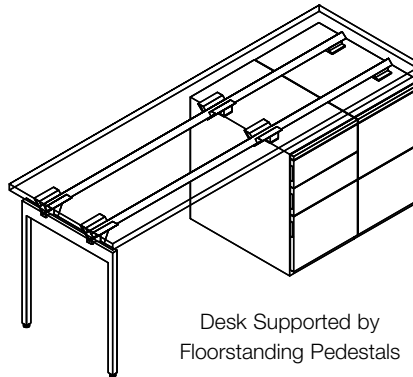
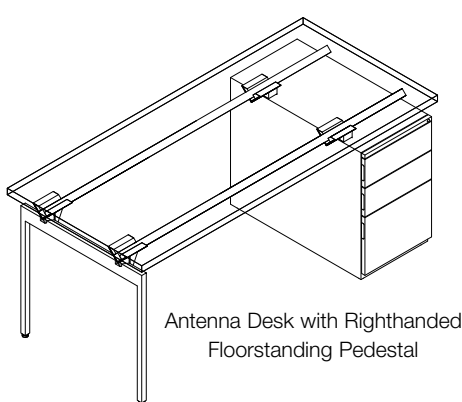
Specify either a left or right mounting position for correct location of holes in the top of the pedestal for connection to desk support adapter brackets. Specify top without holes for freestanding applications under desk rails with positioning brackets YSFA. Front is available either painted (P), laminate (L) or veneer (V). Pedestals can be locking (L) or non-locking (N).

Case is available in any Knoll Core paint finish. Drawer fronts may be specified in any Knoll Core paint, laminate or veneer finish.

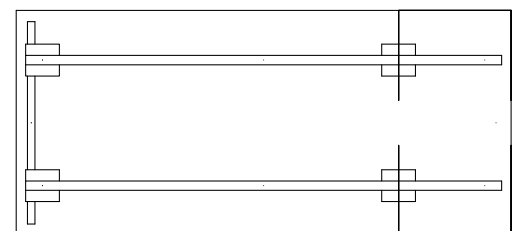
Specify pull type: Edge (E), Insert (I) or Loop (O). Edge pulls are available in any Knoll Core paint finish, Dark Red, Slate Blue or in Chrome (PD). Loop pulls are available in any Knoll Core paint finish, Dark Red or Slate Blue. Insert pulls are available in Chrome (PD).

Desk support adapters and pedestal positioning brackets are available in any Knoll Core paint finish, Dark Red or Slate Blue.

Pencil trays are available in either a black or clear finish.



Righthanded Floorstanding Pedestal Elevation



Righthanded Floorstanding Pedestal in Plan

Pedestals

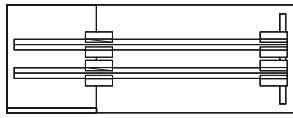
Floorstanding Applications

18"D pedestals can be used under an 18"D return or under a 24"D desk top or return with 1 1/2" inset in front and 5" space at back.

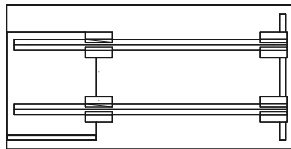
24"D pedestals can be used under 24"D tops flush with front and back, under 27"D tops with a 1 1/2" inset front and a 2" inset back, or under 30"D tops with a 1 1/2" inset front and 5" in back.

30"D pedestals can be used under 30"D tops, flush with front and back, or under 36"D tops with 1 1/2" in front and 5" in back.

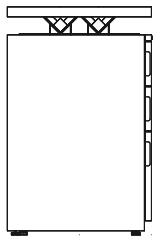
18" Deep Pedestal Applications



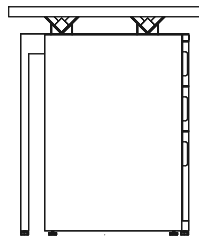
18"D Pedestal with 18"D Top in Plan



18"D Pedestal with 24"D Top in Plan

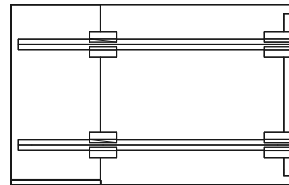


18"D Pedestal with 18"D Top End Elevation

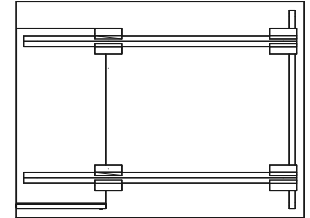


18"D Pedestal with 24"D Top End Elevation

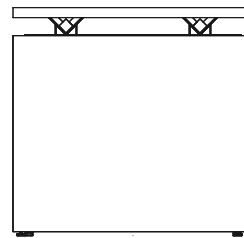
30" Deep Pedestal Applications



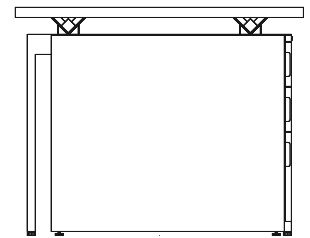
30"D Pedestal with 30"D Top in Plan



30"D Pedestal with 36"D Top in Plan

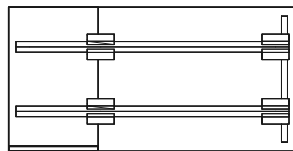


30"D Pedestal with 30"D Top End Elevation

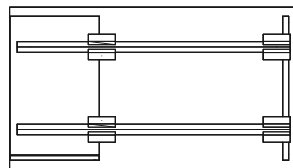


30"D Pedestal with 36"D Top End Elevation

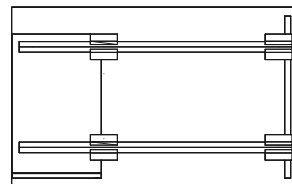
24" Deep Pedestal Applications



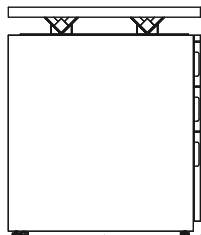
24"D Pedestal with 24"D Top in Plan



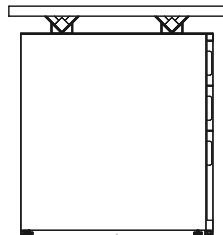
24"D Pedestal with 27"D Top in Plan



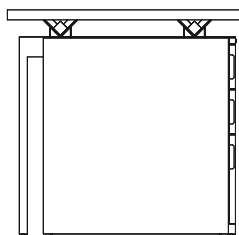
24"D Pedestal with 30"D Top in Plan



24"D Pedestal with 24"D Top End Elevation



24"D Pedestal with 27"D Top End Elevation

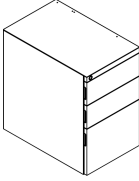
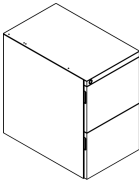


24"D Pedestal with 30"D Top End Elevation

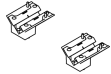
Pedestals

Floorstanding

18", 24" and 30" Deep

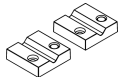
description	type	w	d	h	pattern no.	list	Painted Fronts (P)	Laminate Fronts (L)	V1 Fronts (V)	V2 Fronts (V)	V3 Fronts (V)
	For Left 18" Deep Desk Mount	15"	17 1/2"	25"	YSFBBF18L()L	\$0.	\$1,515.	\$1,629.	\$1,714.	\$1,766.	\$1,918.
	For Left 24" Deep Desk Mount	15"	23 1/2"	25"	YSFBBF24L()L	0.	1,642.	1,704.	1,786.	1,838.	1,998.
	For Left 30" Deep Desk Mount	15"	29 1/2"	25"	YSFBBF30L()L	0.	1,675.	1,737.	1,822.	1,871.	2,032.
	For Right 18" Deep Desk Mount	15"	17 1/2"	25"	YSFBBF18R()L	0.	1,515.	1,629.	1,714.	1,766.	1,918.
	For Right 24" Deep Desk Mount	15"	23 1/2"	25"	YSFBBF24R()L	0.	1,642.	1,704.	1,786.	1,838.	1,998.
	For Right 30" Deep Desk Mount	15"	29 1/2"	25"	YSFBBF30R()L	0.	1,675.	1,737.	1,822.	1,871.	2,032.
	No holes on top 18" Deep	15"	17 1/2"	25"	YSFBBF18N()L	0.	1,515.	1,629.	1,714.	1,766.	1,918.
	No holes on top 24" Deep	15"	23 1/2"	25"	YSFBBF24N()L	0.	1,642.	1,704.	1,786.	1,838.	1,998.
	No holes on top 30" Deep	15"	29 1/2"	25"	YSFBBF30N()L	0.	1,675.	1,737.	1,822.	1,871.	2,032.
	For Left 18" Deep Desk Mount	15"	17 1/2"	25"	YSFFF18L()L	0.	1,297.	1,426.	1,488.	1,574.	1,726.
	For Left 24" Deep Desk Mount	15"	23 1/2"	25"	YSFFF24L()L	0.	1,403.	1,485.	1,555.	1,644.	1,800.
	For Left 30" Deep Desk Mount	15"	29 1/2"	25"	YSFFF30L()L	0.	1,437.	1,519.	1,780.	1,822.	1,898.
	For Right 18" Deep Desk Mount	15"	17 1/2"	25"	YSFFF18R()L	0.	1,297.	1,426.	1,488.	1,574.	1,726.
	For Right 24" Deep Desk Mount	15"	23 1/2"	25"	YSFFF24R()L	0.	1,403.	1,485.	1,555.	1,644.	1,800.
	For Right 30" Deep Desk Mount	15"	29 1/2"	25"	YSFFF30R()L	0.	1,437.	1,519.	1,780.	1,822.	1,898.
	No holes on top 18" Deep	15"	17 1/2"	25"	YSFFF18N()L	0.	1,297.	1,426.	1,488.	1,574.	1,726.
	No holes on top 24" Deep	15"	23 1/2"	25"	YSFFF24N()L	0.	1,403.	1,485.	1,555.	1,644.	1,800.
	No holes on top 30" Deep	15"	29 1/2"	25"	YSFFF30N()L	0.	1,437.	1,519.	1,780.	1,822.	1,898.
Floorstanding Pedestal Ballast/ Counterweight	For 18" or 30" Deep Pedestal				YSFB18	150.	0.	0.	0.	0.	0.
	For 24" Deep Pedestal				YSFB24	237.	0.	0.	0.	0.	0.

Pedestal Desk Support Adapters (pair)	For use with 25" High Pedestal	4"	3"	3"	YBATE25	111.	0.	0.	0.	0.	0.
---------------------------------------	--------------------------------	----	----	----	----------------	------	----	----	----	----	----



(YBATE25 shown)

Pedestal Positioning Brackets	Includes 2 brackets and hardware				YSFA	17.	0.	0.	0.	0.	0.
-------------------------------	----------------------------------	--	--	--	-------------	-----	----	----	----	----	----



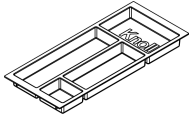
Ordering Information	Order Code	Included With	Options
Floorstanding Pedestal 1. Pattern Number 2. Case Finish 3. Front Finish 4. Pull Type 5. Pull Finish	Floorstanding Pedestal <i>Example:</i> YSFBBF24LPL, 118T, 118T, E, 118T YPFBBF Box/Box/File Pedestal 24 Depth L Left Mount P Painted Front L Lock 118T Bright White Case 118T Bright White Front E Edge Pull 118T Bright White Pull	Floorstanding Pedestal Glides File Rails (24" and 30" Deep Only) Desk adapter brackets and pencil trays sold separately. Pedestal Desk Support Adapters Hardware Lock Options: To specify a floorstanding pedestal without a lock, replace the "L" suffix in the pattern number with an "N".	Floorstanding Drawer Front Finish Options: (P)=Painted (L)=Laminate (V)=Veneer Drawer Front Pull Options: (E)=Edge Pull (I)=Insert Pull (O)=Loop Pull Add \$40 to the list price when a pull is specified with a painted finish. See planning guide page for drawer pull finish options.

Pedestals

Floorstanding

18", 24" and 30" Deep

description	type	w	d	h	pattern no.	list
Pencil Tray	Black Finish	13 1/4"	5 7/8"	7/8"	YAPT N	\$47.
	Clear Finish	13 1/4"	5 7/8"	7/8"	YAPT C	54.



Ordering Information

Floorstanding Pedestal

1. Pattern Number
2. Case Finish
3. Front Finish
4. Pull Type
5. Pull Finish

Pedestal Desk Support Adapters

1. Pattern Number
2. Paint Finish

Order Code

Floorstanding Pedestal

Example: YSFBBF24LPL, 118T, 118T, E, 118T

YPFBBF Box/Box/File Pedestal

24 Depth

L Left Mount

P Painted Front

L Lock

118T Bright White Case

118T Bright White Front

E Edge Pull

118T Bright White Pull

Included With

Floorstanding Pedestal

Glides
File Rails
(24" and 30" Deep Only)

Desk adapter brackets and pencil trays sold separately.

Pedestal Desk Support Adapters Hardware

Lock Options:

To specify a floorstanding pedestal without a lock, replace the "L" suffix in the pattern number with an "N".

Options

Floorstanding

Drawer Front Finish Options:

(P)=Painted
(L)=Laminate
(V)=Veneer

Drawer Front Pull Options:

(E)=Edge Pull
(I)=Insert Pull
(O)=Loop Pull

Add \$40 to the list price when a pull is specified with a painted finish.

See planning guide page for drawer pull finish options.

Pedestals

Floorstanding and Freestanding Double Wide Planning Guidelines and Specifications

Freestanding Double Wide Pedestals

Antenna Data/File and File/File double wide pedestals are 30" or 36" wide, sized to fit below or connect to Antenna desk support rails.

Double wide pedestals are available without any holes on top for entirely freestanding applications, or when using YSFA positioning bracket on top to hold a freestanding file/file pedestal in position under desk rails.

Ballast kit is required in all freestanding applications.

Floorstanding Double Wide Pedestals

Antenna File/File Double wide pedestals are just 25" high, and can take the place of a leg by using bracket kit YBAW25, and appropriate ballast, to support one end of a desk or return top 18" or 24" deep. Floorstanding pedestals are specified with pre-drilled attachment positions on either the right or left side of the top of the cabinet. For 27" or deeper tops an end leg should be specified next to a freestanding pedestal.

All double wide pedestals include an interlock to prevent both drawers from opening at the same time.

Ballast kits are required for stability of pedestal-supported freestanding credenzas, but are not required where other end of top is connected to Fence or perpendicular desk. Ballast kits are available in specific weights for each pedestal width.

Construction

Double wide pedestals include steel surround with no seams at back corners, flat steel top, full extension drawer slides and 3" leveling glides. Steel top is specified to have holes for adapter kit to mount to 18" or 24" depth top or to have no holes for freestanding applications.

File drawers in 30" wide cabinets are actual 27" wide x 15" deep. File drawers in 36" wide cabinets are actual 33" wide x 15"D. All double wide pedestals include four front to back file support rails for letter or legal suspended file folders.

Actual case widths are 30" and 36" and depths are 17 1/2". File/file case height is 24"; Data/file case height is 20". Starting point for glides is typically 1" extension, with up to 1 1/2" additional leveling available.

Metal pedestals are available in painted steel case with painted wood, laminate or veneer fronts.

Specification Options

Specify planning application for attachment to 18" or 24" deep top (18 or 24) or freestanding (N).

Front is available painted (P), laminate (L) or veneer (V).

Pedestals can be locking (L) or without lock (N).

Case is available in any Knoll Core paint finish.

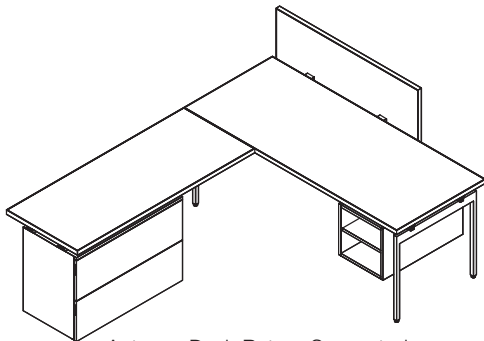
Drawer fronts may be specified in any Knoll Core paint, laminate or veneer finish.

Specify pull type: Edge (E), Insert (I) or Loop (O).

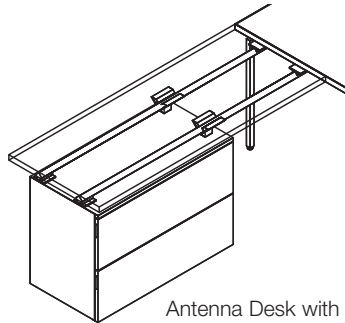
Edge pulls are available in any Knoll Core paint finish, Dark Red, Slate Blue or in Chrome (PD). Loop pulls are available in any Knoll Core paint finish, Dark Red or Slate Blue.

Insert pulls are available in Chrome (PD) only.

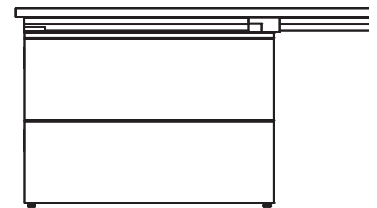
Desk support adapters and pedestal positioning brackets are available in any Knoll Core paint finish, Dark Red or Slate Blue.



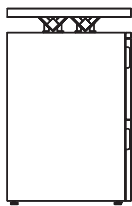
Antenna Desk Return Supported by Double Wide Pedestal



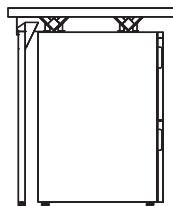
Antenna Desk with Double Wide Pedestal



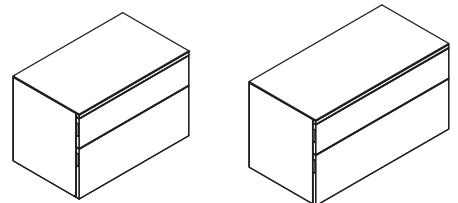
Double Wide Pedestal Front Elevation



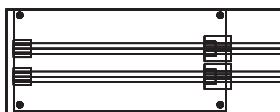
18"D Double Wide Pedestal with 18"D Top End Elevation



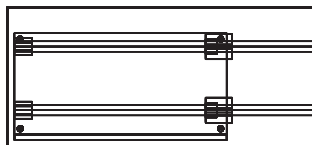
18"D Double Wide Pedestal with 24"D Top End Elevation



Data/File Double Wide Pedestal, 30" or 36"



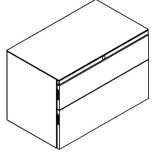
18"D Double Wide Pedestal with 18"D Top in Plan



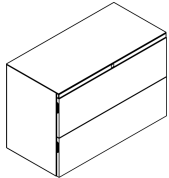
18"D Double Wide Pedestal with 24"D Top in Plan

*Floorstanding and Freestanding Double Wide
30" or 36" Wide*

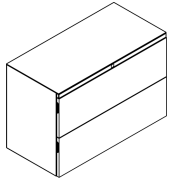
description	type	w	d	h	pattern no.	list	Painted Fronts (P)	Laminate Fronts (L)	V1 Fronts (V)	V2 Fronts (V)	V3 Fronts (V)
Freestanding Data/File Double Wide Pedestals	For use with Counterweight	30"	17 1/2"	21"	YSFWDF30N()L	n/a	\$1,957.	\$2,111.	\$2,309.	\$2,476.	\$2,815.
	For use with Counterweight	36"	17 1/2"	21"	YSFWDF36N()L	n/a	2,202.	2,386.	2,620.	2,828.	3,230.



Freestanding File/File Double Wide Pedestals	For use with Counterweight	30"	17 1/2"	25"	YSFWFF30N()L	n/a	2,117.	2,282.	2,497.	2,681.	3,042.
	For use with Counterweight	36"	17 1/2"	25"	YSFWFF36N()L	n/a	2,383.	2,581.	2,834.	3,057.	3,493.



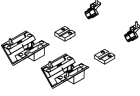
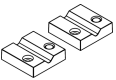
Floorstanding Desk Support File/File Double Wide Pedestals	30"W For use with 18" Deep Top	30"	17 1/2"	25"	YSFWFF3018()L	n/a	2,117.	2,282.	2,497.	2,681.	3,042.
	30"W For use with 24" Deep Top	30"	17 1/2"	25"	YSFWFF3024()L	n/a	2,117.	2,282.	2,497.	2,681.	3,042.
	36"W For use with 18" Deep Top	36"	17 1/2"	25"	YSFWFF3618()L	n/a	2,383.	2,581.	2,834.	3,057.	3,493.
	36"W For use with 24" Deep Top	36"	17 1/2"	25"	YSFWFF3624()L	n/a	2,383.	2,581.	2,834.	3,057.	3,493.



Ordering Information	Order Code	Included With	Options
Floorstanding Pedestal 1. Pattern Number 2. Case Finish 3. Front Finish 4. Pull Type 5. Pull Finish	Floorstanding Pedestal <i>Example:</i> YSFWFF3018PL, 118T, 118T, E, 118T YSFWFF File/File Double Wide Pedestal	Floorstanding Pedestal Glides File Rails Desk adapter brackets and pencil trays sold separately.	Floorstanding Drawer Front Finish Options: (P)=Painted (L)=Laminate (V)=Veneer
Double Wide Pedestal Desk Support Adapters 1. Pattern Number 2. Paint Finish	30 Width 18 Top Depth P Painted Front L Lock 118T Bright White Case 118T Bright White Front E Edge Pull 118T Bright White Pull	Double Wide Pedestal Desk Support Adapters Hardware Lock Options: To specify a floorstanding pedestal without a lock, replace the "L" suffix in the pattern number with an "N".	Drawer Front Pull Options: (E)=Edge Pull (I)=Insert Pull (O)=Loop Pull Add \$40 to the list price when a pull is specified with a painted finish. See planning guide page for drawer pull finish options.

Pedestals

Floorstanding and Freestanding Double Wide Pedestal Accessories

description	type	w	d	h	pattern no.	list
Double Wide Pedestal	For 30" Wide Pedestal				YSFWB30	\$381.
Ballast/Counterweight	For 36" Wide Pedestal				YSFWB36	458.
Double Wide Pedestal Desk Support Adapters (pair)	For use with Double Wide Pedestal	4"	3"	3"	YBAW25	144.
						
Pedestal Positioning Brackets	Includes 2 brackets and hardware				YSFA	17.
						

Ordering Information	Order Code	Included With	Options
Floorstanding Pedestal 1. Pattern Number 2. Case Finish 3. Front Finish 4. Pull Type 5. Pull Finish	Floorstanding Pedestal <i>Example:</i> YSFWFF3018PL, 118T, 118T, E, 118T YSFWFF File/File Double Wide Pedestal	Floorstanding Pedestal Glides File Rails Desk adapter brackets and pencil trays sold separately.	Floorstanding Drawer Front Finish Options: (P)=Painted (L)=Laminate (V)=Veneer
Double Wide Pedestal Desk Support Adapters 1. Pattern Number 2. Paint Finish	30 Width 18 Top Depth P Painted Front L Lock 118T Bright White Case 118T Bright White Front E Edge Pull 118T Bright White Pull	Double Wide Pedestal Desk Support Adapters Hardware Lock Options: To specify a floorstanding pedestal without a lock, replace the "L" suffix in the pattern number with an "N".	Drawer Front Pull Options: (E)=Edge Pull (I)=Insert Pull (O)=Loop Pull Add \$40 to the list price when a pull is specified with a painted finish. See planning guide page for drawer pull finish options.

Pedestals

Mobile

Planning Guidelines and Specifications

Mobile Pedestals

Mobile pedestals offer flexibility in location, and include locking casters for stability where located. Metal pedestals are available in painted steel case with painted wood, laminate or veneer fronts. Mobile pedestals may be specified with flat steel top or without a top, for use with optional seat pad tops.

Mobile pedestals are available in combination of one 7"H data file drawer, and one 11"H standard suspended file drawer with a "fifth wheel" for stability. Data drawer can support Knoll universal pencil tray (specified separately) and is tall enough to contain DVD "jewel" cases vertically.

Pencil trays can be specified along with pedestals. The five section pencil tray rides on drawer sides of box or file drawers.

Seat cushions are specified separately for mobile pedestals with an open top. Seat cushions are upholstered from the front to the back of the pedestal with the fabric direction matching the textile sample.

Construction

Mobile pedestals include full painted steel surround with no seams at back corners, full extension file drawer slides and ¾ extension data drawer slides, two locking and two non-locking 1 ½" diameter casters, plus caster under file drawer. Actual case height is 20" and stands 2" above the floor. Actual case width is 15" and depths are 17 ½" or 23 ½".

File drawer on 18"D mobile pedestals are 12"W x 15"D and support letter or legal suspended file folders.

File drawer on 24"D mobile pedestals are 12"W x 21"D and include a divider to enable full depth letter or side to side legal suspended filing

Data drawers are 6"H x 12"W x 15" or 21"D.

Pencil trays are plastic injection molded construction, 13 ¼" wide, 5-7/16" deep and 7/8" high.

Specification Options

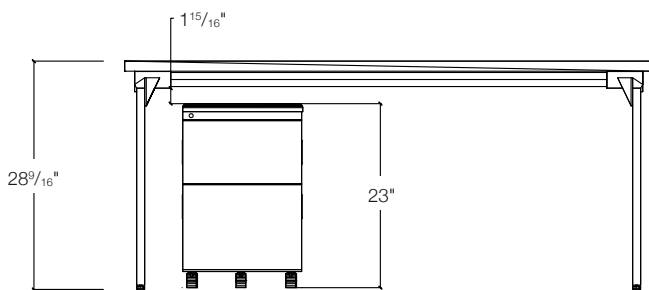
Front is available either painted (P), laminate (L) or veneer (V). Pedestals include lock (L) on upper left corner of pedestal to facilitate moving pedestal.

Case is available in any Knoll Core paint finish. Drawer fronts may be specified in any Knoll Core paint, laminate or veneer finish.

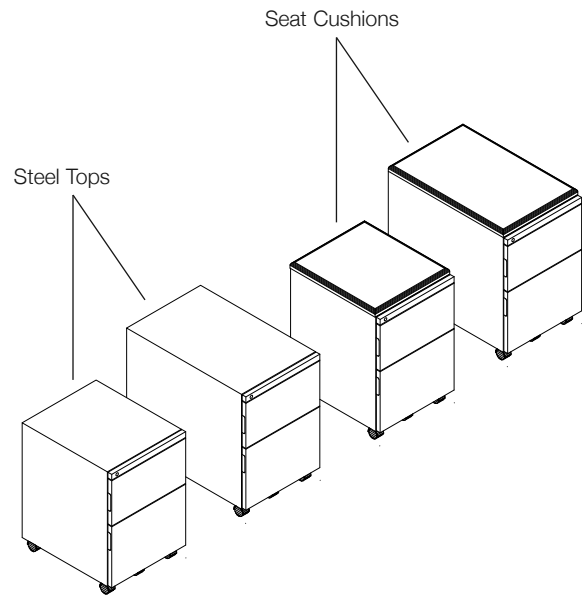
Specify pull type: Edge (E), Insert (I) or Loop (O). Edge pulls are available in any Knoll Core paint finish, Dark Red, Slate Blue or in Chrome (PD). Loop pulls are available in any Knoll Core paint finish, Dark Red or Slate Blue. Insert pulls are available in Chrome (PD).

Seat cushions may be specified in any Antenna approved textile. For Customers Own Material (COM) applications, specify .75 yards of fabric for 17" deep mobile pedestal seat cushion, and .90 yards for 23" deep seat cushion.

Pencil trays are available in either a black or clear finish.



Antenna Desk with Mobile Pedestal Elevation



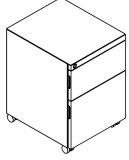
Mobile Pedestal Options

Pedestals

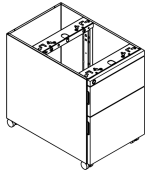
Mobile

18" and 24" Deep

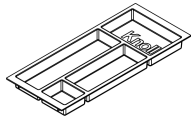
description	type	w	d	h	pattern no.	list	Painted Fronts (P)	Laminate Fronts (L)	V1 Fronts (V)	V2 Fronts (V)	V3 Fronts (V)
Mobile Personal/File Pedestals, Full Top	18" Deep Pedestal	15"	18"	22"	YSMPDF18()L	\$0.	\$1,275.	\$1,424.	\$1,507.	\$1,611.	\$1,676.
	24" Deep Pedestal	15"	24"	22"	YSMPDF24()L	0.	1,447.	1,485.	1,730.	1,836.	1,906.



Mobile Personal/File Pedestals, Open Top for Seat Pad	18" Deep Pedestal	15"	18"	22"	YSMOPDF18()L	0.	1,211.	1,356.	1,466.	1,569.	1,632.
	24" Deep Pedestal	15"	24"	22"	YSMOPDF24()L	0.	1,363.	1,400.	1,678.	1,782.	1,855.



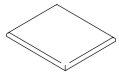
Pencil Tray		w	d	h	pattern no.	list	Painted Fronts (P)	Laminate Fronts (L)	V1 Fronts (V)	V2 Fronts (V)	V3 Fronts (V)
	Black Finish	13 1/4"	5 7/8"	7/8"	YAPT	47.	0.	0.	0.	0.	0.
	Clear Finish	13 1/4"	5 7/8"	7/8"	YAPTC	54.	0.	0.	0.	0.	0.



Ordering Information	Order Code	Included With	Options
Mobile Pedestal 1. Pattern Number 2. Case Finish 3. Front Finish 4. Pull Type 5. Pull Finish	Mobile Pedestal <i>Example:</i> YSMPDF18PL, 118T, 118T, E, 118T YSMPDF Personal/File Pedestal 18 Depth P Painted Front L Lock 118T Bright White Painted Case 118T Bright White Painted Front E Edge Pull 118T Bright White Painted Pull	Mobile Pedestal (5) Casters File Rails (24" and 30" Deep Only) Specify seat pad for open top mobile pedestal separately. Pencil trays sold separately.	Mobile Pedestal Drawer Front Finish Options: (P)=Painted (L)=Laminate (V)=Veneer Drawer Front Pull Options: (E)=Edge Pull (I)=Insert Pull (O)=Loop Pull Add \$40 to the list price when a pull is specified with a painted finish. See planning guide page for drawer pull finish options.
		Lock Options: To specify a floorstanding pedestal without a lock, replace the "L" suffix in the pattern number with an "N".	

Pedestals
Seat Cushions
18" and 24" Deep

description	type	w	d	h	pattern no.	A	B	C	D	E	F	G	H	I
Seat Cushions	For 18" Deep Mobile Pedestal	15"	17"	1"	YSSPAD	\$231.	\$268.	\$305.	\$320.	\$339.	\$375.	\$410.	\$466.	\$483.
	For 24" Deep Mobile Pedestal	15"	23"	1"	YSDPAD	285.	320.	375.	392.	428.	466.	517.	571.	592.



Ordering Information

Seat Cushions

1. Pattern Number
2. Fabric Finish

Order Code

Seat Cushions

Example: **YSSPAD, W1077**

YS Storage

S 18" Deep

PAD Cushion

W1077 Element

Included With

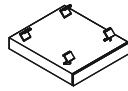
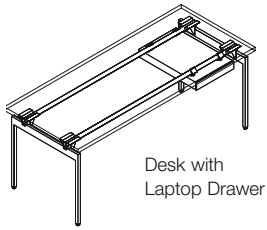
Seat Cushions

Options

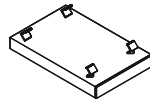
Seat Cushions

For CAL133 backing on the cushion, add \$79 to the list price.

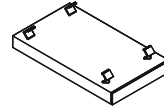
Laptop Drawer



21" Deep
(24" or 27" Deep Top)

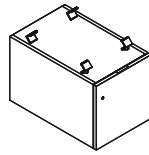


27" Deep
(30" Deep Top)

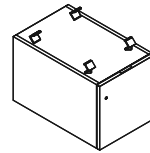


30" Deep
(36" Deep Top)

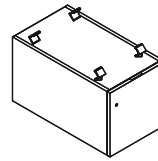
Suspended Wood Files



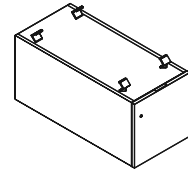
24" Deep Desk



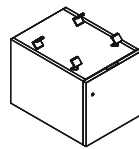
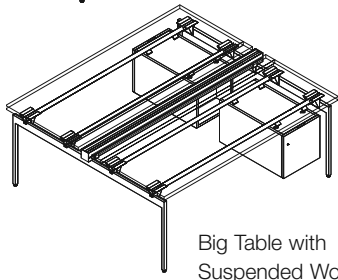
27" Deep Desk



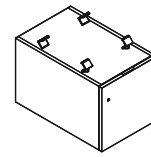
30" Deep Desk



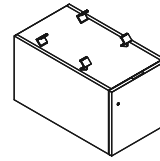
36" Deep Desk



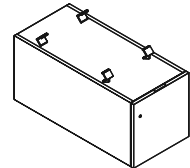
24" Deep Big Table



27" Deep Big Table

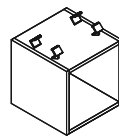
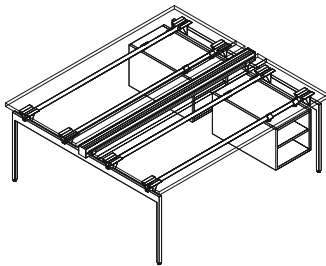
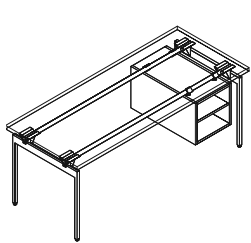


30" Deep Big Table

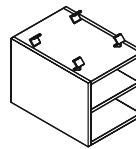


36" Deep Big Table

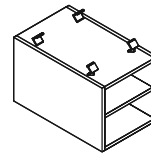
Suspended Open Cabinet with Front and Back Access



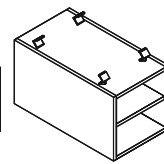
18" Deep



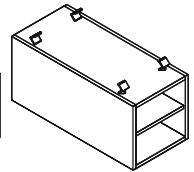
24" Deep



27" Deep

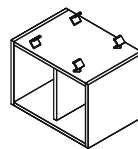
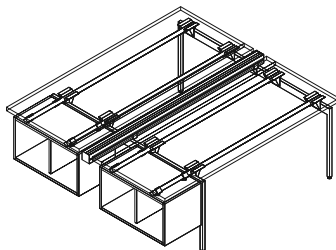
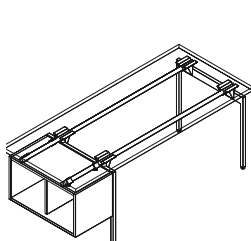


30" Deep

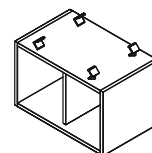


36" Deep

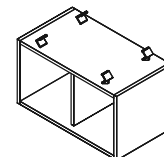
Suspended Open Cabinet with Side Access



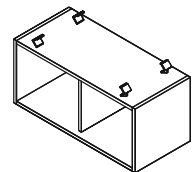
24" Deep



27" Deep

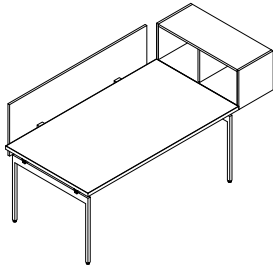


30" Deep

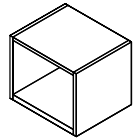


36" Deep

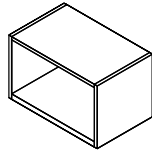
Desk Extension Cabinets



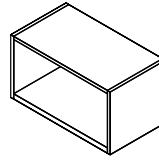
Above Desk Extension Cabinet Front



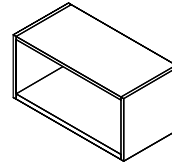
Above Desk Extension Cabinet
18" Deep



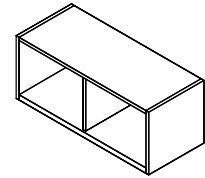
Above Desk Extension Cabinet
24" Deep



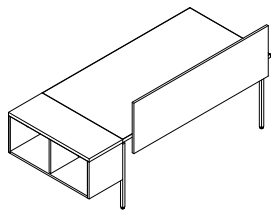
Above Desk Extension Cabinet
27" Deep



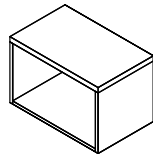
Above Desk Extension Cabinet
30" Deep



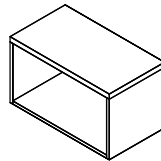
Above Desk Extension Cabinet
36" Deep



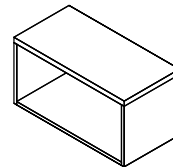
Below Desk Extension Cabinet Back



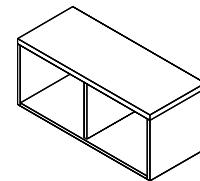
Below Desk Extension Cabinet
24" Deep



Below Desk Extension Cabinet
27" Deep

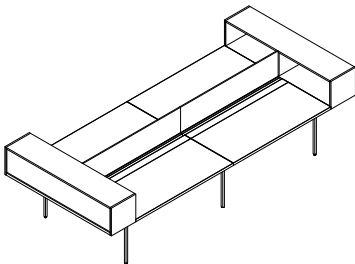


Below Desk Extension Cabinet
30" Deep

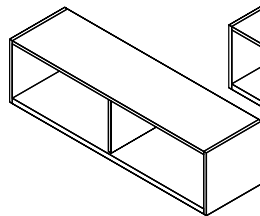


Below Desk Extension Cabinet
36" Deep

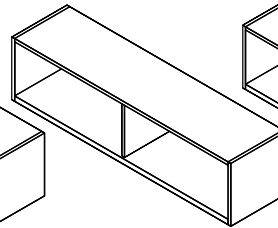
Big Table Extension Cabinets



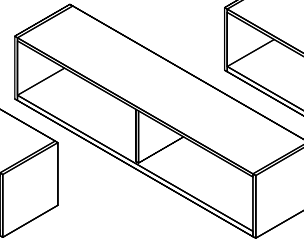
Above Desk Extension Cabinets for Big Table



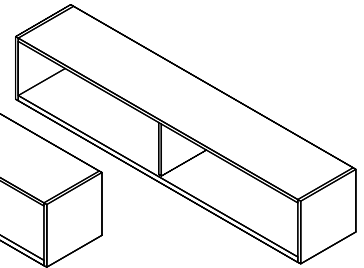
Above Big Table Extension Cabinet
24" Deep Dual Big Table



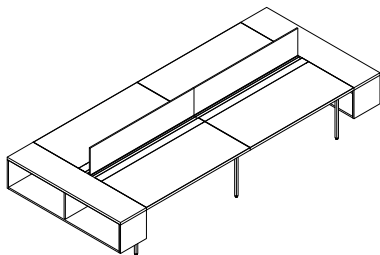
Above Big Table Extension Cabinet
27" Deep Dual Big Table



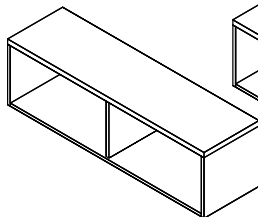
Above Big Table Extension Cabinet
30" Deep Dual Big Table



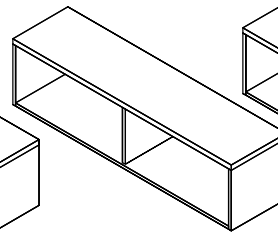
Above Big Table Extension Cabinet
36" Deep Dual Big Table



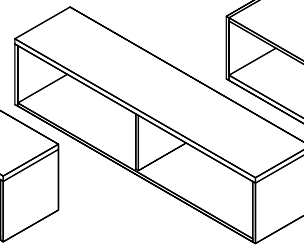
Below Desk Extension Cabinets for Big Table



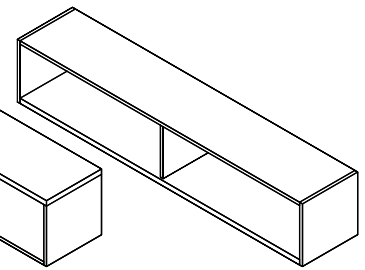
Below Big Table Extension Cabinet
24" Deep Dual Big Table



Below Big Table Extension Cabinet
27" Deep Dual Big Table



Below Big Table Extension Cabinet
30" Deep Dual Big Table



Below Big Table Extension Cabinet
36" Deep Dual Big Table

Laptop Drawer

Planning Guidelines and Specifications

The laptop drawer is a 2 1/2" high secure storage drawer for laptops, small personal items or electronics.

It is 15" wide and either 21" deep for use under 24" or 27" deep tops, or 27" deep for use under 30" deep tops, or 30" deep for use under 36" deep tops. It includes brackets for suspension from desk top rails. The drawer interior is 12 3/8" wide x 16 3/4" deep x 2 3/8" high and features two 2" diameter, lined cable grommets in the drawer bottom. Laptop drawers have a lock.

Laptop drawers can be mounted anywhere under desk or big table rails, as close as 3" to the inside face of a leg or directly adjacent to the outside face of a leg.

An optional drawer pad is available for the bottom of the drawer, providing a quiet, resilient surface for stored electronics. The recycled leather pad may be specified with grommets that correspond to the grommets in the drawer bottom or without grommets to cover the grommets in the drawer bottom.

An optional cable net is recommended to manage power cords from the drawer bottom to the back of a laptop drawer case. The net is a flexible open weave construction with a perimeter elastic cord to maintain the shape. The net is fastened to the underside of the laptop drawer case with screws.

Pencil trays can be specified separately for use in a laptop drawer. The five section pencil tray rides on the sides of a laptop drawer.

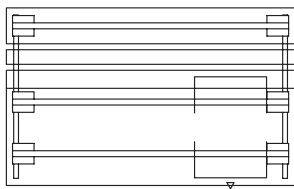
Construction

The laptop drawer has a steel top enclosure 21" or 27" or 30" deep and full extension 19"D drawer slides. The cable net is made of Polypropylene Net with Nylon. The drawer pad is 1.15mm thick Novous Black recycled leather.

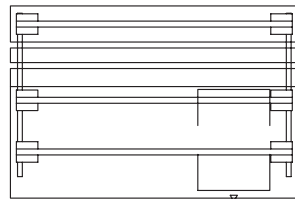
Pencil trays are plastic injection molded construction, 13 1/4" wide, 5 7/16" deep and 7/8" high.

Specification Options

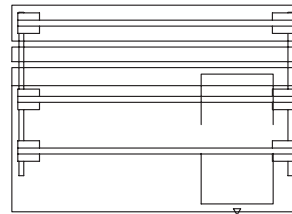
Specify laptop drawer in any Knoll Core paint finish. Drawer pad and net are black. Pencil trays are available in a black or clear finish.



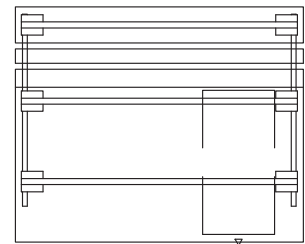
24"D Top with 21" D Laptop Drawer Plan View



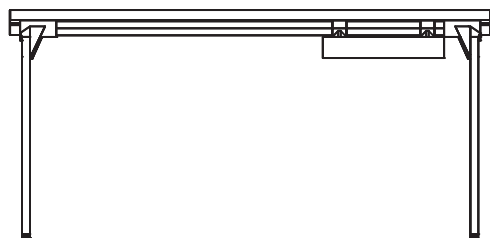
27"D Top with 21" D Laptop Drawer Plan View



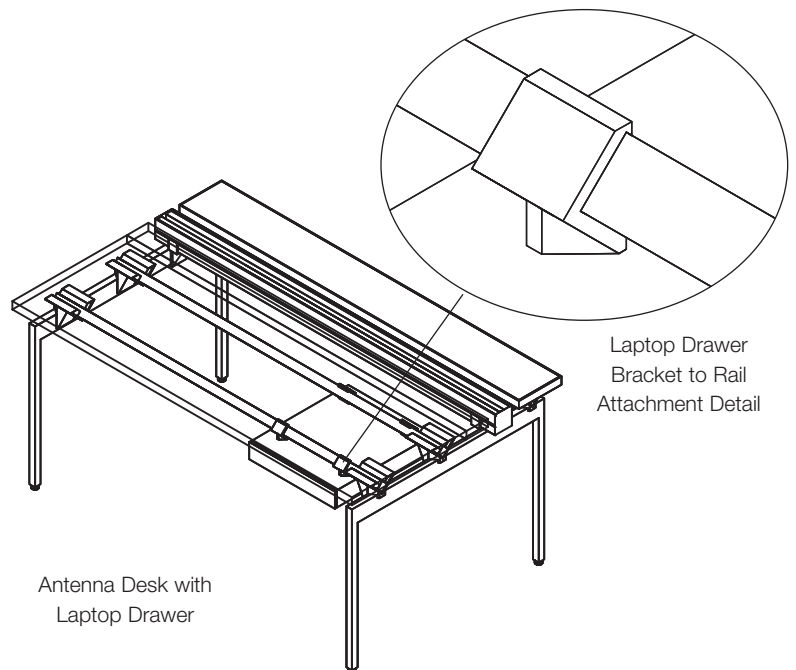
30"D Top with 27" D Laptop Drawer Plan View



36"D Top with 30" D Laptop Drawer Plan View



Antenna Desk with Laptop Drawer Front Elevation View

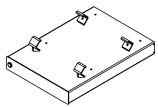
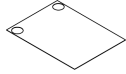
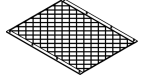
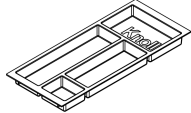


Antenna Desk with Laptop Drawer

Laptop Drawer Bracket to Rail Attachment Detail

Laptop Drawer

15" Wide

description	type	w	d	h	pattern no.	list
	For Use With 24" or 27" Deep Desk or Big Table	15"	21"	3 1/2"	YSAD21	\$1,089.
	For Use With 30" Deep Desk or Big Table	15"	27"	3 1/2"	YSAD27	1,139.
	For Use With 36" Deep Desk or Big Table	15"	30"	3 1/2"	YSAD30	1,327.
Drawer Pad (with grommet shown) 	For Use With a Laptop Drawer w/o a Grommet				YSADPADN	96.
	For Use With a Laptop Drawer With a Grommet				YSADPADG	96.
Cable Net 	For Use With 21" Deep Laptop Drawer				YSAD21NET	50.
	For Use With 27" D or 30"D Laptop Drawer				YSAD27NET	63.
Pencil Tray 	Black Finish	13 1/4"	5 7/8"	7/8"	YAPTN	47.
	Clear Finish	13 1/4"	5 7/8"	7/8"	YAPTC	54.

Ordering Information	Order Code	Included With	Options
Laptop Drawer 1. Pattern Number 2. Paint Finish Drawer Pad/Cable Net 1. Pattern Number	Laptop Drawer <hr/> <i>Example:</i> YSAD21, 118T <hr/> YS Storage <hr/> AD Drawer <hr/> 21 Depth <hr/> 118T Bright White Paint <hr/> Drawer Pad <hr/> <i>Example:</i> YSADPADG <hr/> YS Storage <hr/> AD Drawer <hr/> PAD Pad <hr/> G With Grommet	Laptop Drawer Brackets Hardware Drawer pad, cable net and pencil tray are specified separately from laptop drawer.	Laptop Drawer Laptop drawers have grommets in the bottom of the drawer and are always locking.

Suspended Storage

Wood Files

Planning Guidelines and Specifications

Suspended Wood File

The suspended wood file combines personal storage and filing in a single unit. Suspended wood files attach to 24", 27", 30" or 36" deep desks or big tables. This wood construction cabinet suspends from desk or big table rails and includes a standard letter by legal file drawer. The full file front is 15" x 15" and mounted to a full extension file drawer. The personal drawer is 1" high with independent slides accessible behind the file drawer front.

Suspended wood files can be specified in all laminate or veneer, laminate with veneer front, or mixed surface laminate: "Interior" of laminate open back storage area can be specified in a contrasting core or "pop" laminate.

Cabinets must be specified 3" less than the top depth, inset 1 1/2" from front and back. Cabinet is divided by a vertical partition 18" from the front, and an open shelf storage area in the remaining 3" of a 24"D file, 6" of a 27"D file and 12" of a 33"D file.

File can be mounted to desk rails in the space "outside" a desk end leg inset 15", if the other end of a top is stabilized by being connected to Fence or a perpendicular desk. Suspended file cabinets should be mounted between table desk end legs for freestanding desk applications. Desk rails should be connected to a cantilevered top by YCBDE rail end to top supports.

Suspended file can be ordered with or without a lock in the drawer face and it includes hanger brackets.

Suspended wood files do not accept pencil trays.

Construction

Case is composed of 3/4" thick wood panels, with discreet glue-and-dowel connections

Specification Options

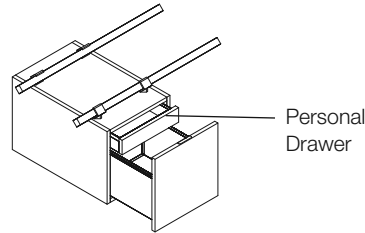
Specify laminate (L), "mixed" two-tone laminate or laminate case with veneer front (M) or veneer (V) case. Wood files are available either locking (L) or non-locking (N).

Case finish exterior is available in any Knoll Core laminate or veneer. When the case exterior is laminate, case interior and inset back are available in any Knoll Core or Accent laminate. When an Accent laminate is specified, the edgeband will match the exterior core laminate finish. When case exterior is specified laminate, specify drawer front finish in any Knoll Core laminate (L) or veneer (V).

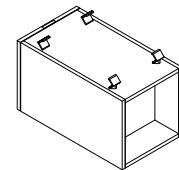
Specify pull type: Edge (E), Insert (I) or Loop (O). Edge pulls are available in any Knoll Core paint finish, Dark Red, Slate Blue or in Chrome (PD). Loop pulls are available in any Knoll Core paint finish, Dark Red or Slate Blue. Insert pulls are available in Chrome (PD).

Suspension brackets may be specified in any Knoll Core paint finish, Dark Red or Slate Blue.

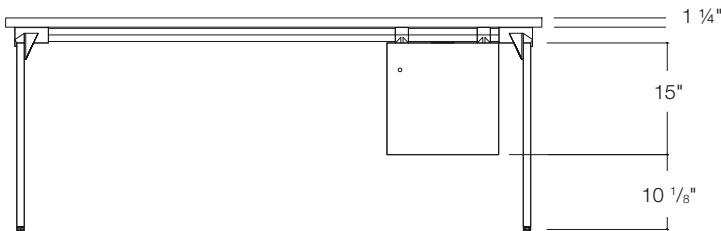
Case Sizes	Back
21"D for 24"D top	Flush back only
24"D for 27"D top	3"D shelf, binder height
27"D for 30"D top	6"D shelf, binder height
33"D for 36"D top	12"D shelf, binder height



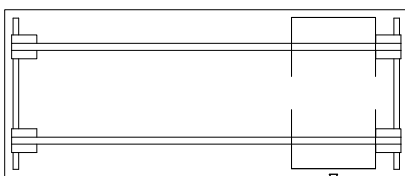
Suspended Wood File, Front View



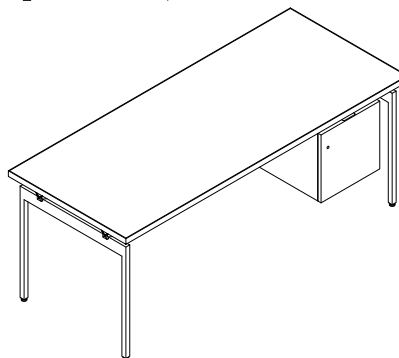
Suspended Wood File, Back View



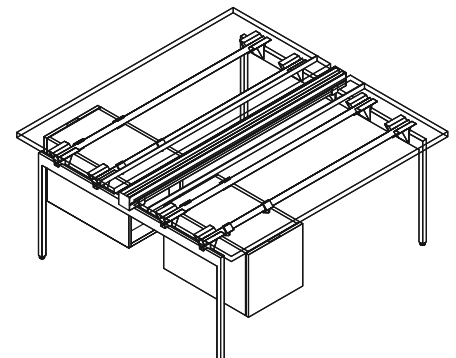
Desk with Suspended Wood File Front Elevation



Desk with Suspended Wood File Plan View

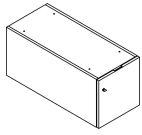


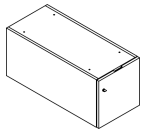
Desk with Suspended Wood File



Big Table with Suspended Wood Files

Suspended Storage Laminate Wood File 15" Wide

description	type	w	d	h	pattern no.	All Same	Different	Different	Laminate	Laminate	Laminate
						Laminate (Core Lam.) (L)	Laminate Case/ Interior/Front (Core Lam.) (L)	Laminate Case/ Interior/Front (Accent Lam.) (L)			
 Suspended Laminate Wood Files For Use With Desks	For 24" Deep Top	15"	21"	15"	YSSPF21()L	\$1,695.	n/a	n/a	\$1,866.	\$1,950.	\$2,035.
	For 27" Deep Top	15"	24"	15"	YSSPF24()L	1,763.	1,939.	2,288.	1,939.	2,026.	2,112.
	For 30" Deep Top	15"	27"	15"	YSSPF27()L	1,825.	2,007.	2,375.	2,007.	2,100.	2,192.
	For 36" Deep Top	15"	33"	15"	YSSPF33()L	1,893.	2,081.	2,460.	2,081.	2,175.	2,269.

 Suspended Laminate Wood Files For Use With Big Tables	For 24" Deep Top	15"	21"	15"	YSSPF21()L	1,695.	n/a	n/a	1,866.	1,950.	2,035.
	For 27" Deep Top	15"	24"	15"	YSSPF24B()L	1,763.	1,939.	2,288.	1,939.	2,026.	2,112.
	For 30" Deep Top	15"	27"	15"	YSSPF27B()L	1,825.	2,007.	2,375.	2,007.	2,100.	2,192.
	For 36" Deep Top	15"	33"	15"	YSSPF33B()L	1,893.	2,081.	2,460.	2,081.	2,175.	2,269.

Ordering Information

Suspended Wood File

1. Pattern Number
2. Exterior Case Finish
3. Interior Case Finish (Laminate only)
4. Drawer Front Finish
5. Pull Type
6. Pull Finish
7. Bracket Paint Finish

Order Code

Suspended Wood File

Example: **YSSPF24LL, 118, 118, 118, E, 118T, 118T**

YSSPF	Suspended Wood File
24	Depth
L	Laminate
L	Lock
118	Bright White Laminate Exterior
118	Bright White Laminate Interior
118	Bright White Laminate Front
E	Edge Pull
118T	Bright White Painted Pull
118T	Bright White Painted Brackets

Included With

Suspended Wood File

Brackets
Hardware

Options

Suspended Wood File

Case and Front Finish Options:
(L) = All the same laminate or different laminates for the exterior case, interior case and/or drawer front
(M) = Laminate case with a veneer front

Drawer Front Pull Options:

(E) = Edge Pull
(I) = Insert Pull
(O) = Loop Pull

See planning guide page for drawer pull finish options.

Lock Options:

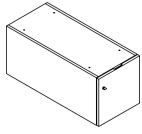
To specify a suspended wood file cabinet without a lock, replace the "L" suffix in the pattern number with an "N".

Suspended Storage

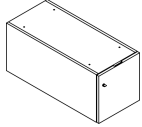
Veneer Wood File

15" Wide

description	type	w	d	h	pattern no.	All V1	All V2	All V3
Suspended Veneer Wood Files For Use With Desks	For 24" Deep Top	15"	21"	15"	YSSPF21VL	\$2,544.	\$2,927.	\$3,801.
	For 27" Deep Top	15"	24"	15"	YSSPF24VL	2,643.	3,037.	3,949.
	For 30" Deep Top	15"	27"	15"	YSSPF27VL	2,738.	3,149.	4,096.
	For 36" Deep Top	15"	33"	15"	YSSPF33VL	2,770.	3,188.	4,143.



Suspended Veneer Wood Files For Use With Big Tables	For 24" Deep Top	15"	21"	15"	YSSPF21BVL	2,544.	2,927.	3,801.
	For 27" Deep Top	15"	24"	15"	YSSPF24BVL	2,643.	3,037.	3,949.
	For 30" Deep Top	15"	27"	15"	YSSPF27BVL	2,738.	3,149.	4,096.
	For 36" Deep Top	15"	33"	15"	YSSPF33BVL	2,770.	3,188.	4,143.



Ordering Information

Suspended Wood File

1. Pattern Number
2. Case and Drawer Front Finish
3. Pull Type
4. Pull Finish
5. Bracket Paint Finish

Order Code

Suspended Wood File

Example: **YSSPF24VL, Y316, E, 118T, 118T**

YSSPF	Suspended Wood File
24	Depth
V	Veneer
L	Lock
Y316	Maple Veneer
E	Edge Pull
118T	Bright White Painted Pull
118T	Bright White Painted Brackets

Included With

Suspended Wood File
Brackets
Hardware

Options

Suspended Wood File

Drawer Front Pull Options:

(E) = Edge Pull
(I) = Insert Pull
(O) = Loop Pull

See planning guide page for drawer pull finish options.

Lock Options:

To specify a suspended wood file cabinet without a lock, replace the "L" suffix in the pattern number with an "N".

Suspended Storage Wood Open Cabinets Planning Guidelines and Specifications

Suspended Open Cabinets

Suspended open cabinets offer personal storage shelves accessible from front, back or end of desks or big tables. Front access cabinets may be specified with 18", 24", 27", 30" or 36"D desk or big table tops. Side access cabinets attach to the end of 24", 27", 30" or 36"D desk or big tables.

Suspended open cabinets are wood construction and suspended from desk or big table top rails at any point. Suspended wood cabinets can be specified in all laminate or veneer or mixed surface laminate: all "Interior" surfaces of laminate open storage areas can be specified in a contrasting core or accent laminate.

Front access cabinets are sized 15"H and 15"W and must be specified in case depths 3" less than the top depth, inset 1 1/2" from front and back.

Cabinet with front and back access is divided by a centered vertical partition, creating a 13 1/2"H binder height shelf on the "back" and a horizontal partition dividing the "front" section. Cabinet can be installed in either orientation. Case 15"D has flush back panel in "exterior" surface on back. Partitions for 21" and deeper open cabinets are considered "interior" surface on both faces.

Cabinet with side access provides full surround, 13 1/2"H x 14"D shelf corresponding to depth of desk or big table top. Front and back panels are 15"x15" fixed panels, case "width" is 21", 24", 27" or 33"D.

Suspended cabinets should be mounted between freestanding desk end legs. Cabinets can be mounted to desk rails in the space "outside" a desk end leg inset 15", if the other end of a top is stabilized by being

connected to a Fence or perpendicular desk. Cabinets include hanger brackets.

Construction

Case is composed of 3/4" thick wood panels, with discreet glue-and-dowel connections.

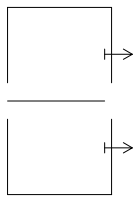
Specification Options

Specify laminate (L), "mixed" two-tone laminate (M) or veneer (V) case.

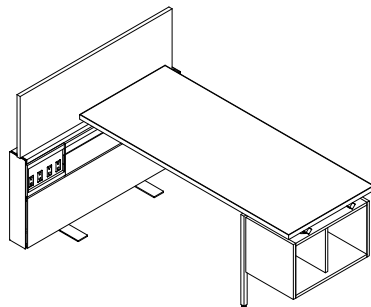
Case finish exterior is available in any Knoll Core laminate or veneer. When the case exterior is laminate, case interior and inset back are available in any Knoll Core or Accent laminate. When an Accent laminate is specified, the edgeband will match the exterior core laminate finish.

Suspension brackets may be specified in any Knoll Core paint finish, Dark Red or Slate Blue.

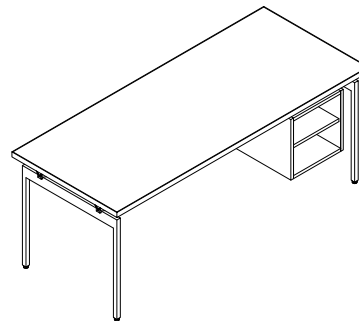
Case Sizes	Front	Back	Side Access Shelf
15"D for 18"D top	14"D shelf	no shelf	not available
21"D for 24"D top	10"D shelf, divided	10"D shelf, binder height	14"D shelf
24"D for 27"D top	11 1/2"D shelf, divided	11 1/2"D shelf, binder height	14"D shelf
27"D for 30"D top	13"D shelf, divided	13"D shelf, binder height	14"D shelf
33"D for 36"D top	16"D shelf, divided	16"D shelf, binder height	N/A



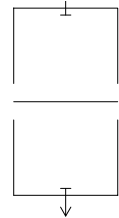
Suspended Side Access Open Cabinet



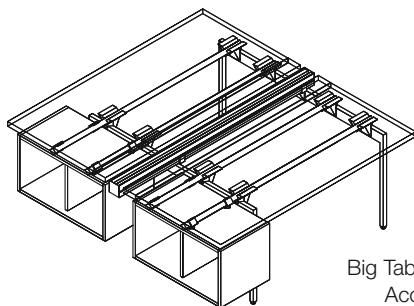
Fence Supported Desk with Suspended Side Access Open Cabinet



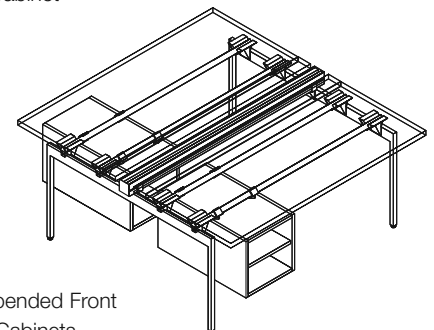
Desk with Suspended Front Access Open Cabinet



Suspended Open Front Access Cabinet



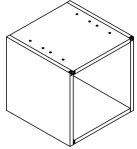
Big Table with Suspended Side Access Open Cabinets



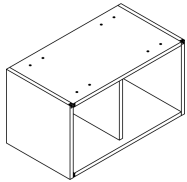
Big Table with Suspended Front Access Open Cabinets

Suspended Storage Laminate Open Cabinets 15" Wide

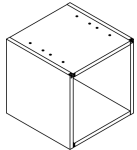
description	type	w	d	h	pattern no.	All Same Laminates (Core Lam.)	Different Laminate	Different Laminate
							Case/Interior (Core Lam.)	Case/Interior (Accent Lam.)
Suspended Laminate Open Cabinets with Front and Back Access For Use With Desks	For 18" Deep Top	15"	15"	15"	YSSOF15L	\$1,173.	\$1,291.	\$1,526.
	For 24" Deep Top	15"	21"	15"	YSSOF21L	1,305.	1,435.	1,695.
	For 27" Deep Top	15"	24"	15"	YSSOF24L	1,370.	1,507.	1,779.
	For 30" Deep Top	15"	27"	15"	YSSOF27L	1,435.	1,578.	1,866.
	For 36" Deep Top	15"	33"	15"	YSSOF33L	1,564.	1,721.	2,035.



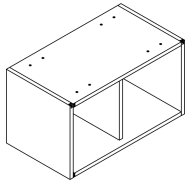
Suspended Laminate Open Cabinets with Side Access For Use With Desks	For 24" Deep Top	15"	21"	15"	YSSOS21L	1,305.	1,435.	1,695.
	For 27" Deep Top	15"	24"	15"	YSSOS24L	1,370.	1,507.	1,779.
	For 30" Deep Top	15"	27"	15"	YSSOS27L	1,435.	1,578.	1,866.



Suspended Laminate Open Cabinets with Front and Back Access For Use With Big Tables	For 18" Deep Top	15"	15"	15"	YSSOF15L	1,173.	1,291.	1,526.
	For 24" Deep Top	15"	21"	15"	YSSOF21L	1,305.	1,435.	1,695.
	For 27" Deep Top	15"	24"	15"	YSSOF24BL	1,370.	1,507.	1,779.
	For 30" Deep Top	15"	27"	15"	YSSOF27BL	1,435.	1,578.	1,866.
	For 36" Deep Top	15"	33"	15"	YSSOF33BL	1,564.	1,721.	2,035.



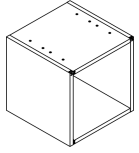
Suspended Laminate Open Cabinets with Side Access For Use With Big Tables	For 24" Deep Top	15"	21"	15"	YSSOS21L	1,305.	1,435.	1,695.
	For 27" Deep Top	15"	24"	15"	YSSOS24BL	1,370.	1,507.	1,779.
	For 30" Deep Top	15"	27"	15"	YSSOS27BL	1,435.	1,578.	1,866.



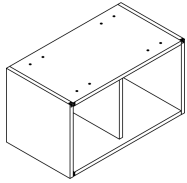
Ordering Information	Order Code	Included With	Options
Suspended Open Cabinet	Suspended Open Cabinet	Suspended Open Cabinet	Suspended Open Cabinet
1. Pattern Number	<i>Example:</i> YSSOF24L, 118, 118, 118T	Brackets	
2. Exterior Case Finish	YSSOF Suspended Open Cabinet	Hardware	
3. Interior Case Finish (Laminate only)	L Laminate Case		
4. Bracket Paint Finish	118 Bright White Exterior		
	118 Bright White Interior		
	118T Bright White Brackets		

Suspended Storage Veneer Open Cabinets 15" Wide

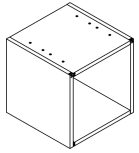
description	type	w	d	h	pattern no.	All V1	All V2	All V3
Suspended Veneer Open Cabinets with Front and Back Access For Use With Desks	For 18" Deep Top	15"	15"	15"	YSSOF15V	\$1,589.	\$1,825.	\$2,375.
	For 24" Deep Top	15"	21"	15"	YSSOF21V	1,816.	2,087.	2,713.
	For 27" Deep Top	15"	24"	15"	YSSOF24V	1,871.	2,153.	2,798.
	For 30" Deep Top	15"	27"	15"	YSSOF27V	1,927.	2,218.	2,883.
	For 36" Deep Top	15"	33"	15"	YSSOF33V	2,042.	2,347.	3,053.



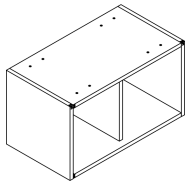
Suspended Veneer Open Cabinets with Side Access For Use With Desks	For 24" Deep Top	15"	21"	15"	YSSOS21V	1,816.	2,087.	2,713.
	For 27" Deep Top	15"	24"	15"	YSSOS24V	1,871.	2,153.	2,798.
	For 30" Deep Top	15"	27"	15"	YSSOS27V	1,927.	2,218.	2,883.



Suspended Veneer Open Cabinets with Front and Back Access For Use With Big Tables	For 18" Deep Top	15"	15"	15"	YSSOF15V	1,589.	1,825.	2,375.
	For 24" Deep Top	15"	21"	15"	YSSOF21V	1,816.	2,087.	2,713.
	For 27" Deep Top	15"	24"	15"	YSSOF24BV	1,871.	2,153.	2,798.
	For 30" Deep Top	15"	27"	15"	YSSOF27BV	1,927.	2,218.	2,883.
	For 36" Deep Top	15"	33"	15"	YSSOF33BV	2,042.	2,347.	3,053.



Suspended Veneer Open Cabinets with Side Access For Use With Big Tables	For 24" Deep Top	15"	21"	15"	YSSOS21V	1,816.	2,087.	2,713.
	For 27" Deep Top	15"	24"	15"	YSSOS24BV	1,871.	2,153.	2,798.
	For 30" Deep Top	15"	27"	15"	YSSOS27BV	1,927.	2,218.	2,883.



Ordering Information	Order Code	Included With	Options
Suspended Open Cabinet	Suspended Open Cabinet	Suspended Open Cabinet	Suspended Open Cabinet
1. Pattern Number	<i>Example:</i> YSSOF24V, Y316, 118T	Brackets	
2. Exterior Case Finish	YSSOF Suspended Open Cabinet	Hardware	
3. Bracket Paint Finish	V Veneer Case		
	Y316 Maple Exterior		
	118T Bright White Painted Brackets		

Extension Cabinets

For Desks

Planning Guidelines and Specifications

Above Desk Extension Cabinets

Above desk extension cabinet is wood construction, open binder storage that provides some seated privacy at a horizon of 42" on standard height desk. Bottom of cabinet aligns with end of adjacent desk top. Back of cabinet is inset 1/2" to provide niche for optional fabric insert.

Cabinets can be specified in all laminate or veneer or mixed surface laminate: all "Interior" surfaces of laminate open storage areas can be specified in a contrasting core or "pop" laminate. Inset back is considered an interior surface on both faces.

Cabinets are sized 15"H and 15"D and must be specified in case widths to match top depth: 18", 24", 27", 30" or 36". Interior binder storage height is 13".

Desk extension cabinets mount to desk rails specified 12" longer than top normally requires. Specify YSDXUP or YBCDE rail to extension brackets separately and accordingly.

Above desk extension cabinets can not be installed in the same location as a below desk extension cabinet.

Construction

Case is composed of 1 3/16" thick bottom (to match desk top) and 3/4" thick sides, back and top panels, with discreet glue-and-dowel connections. 36" wide cabinet has center vertical partition.

Veneer grain direction is horizontal on back, vertical on sides.

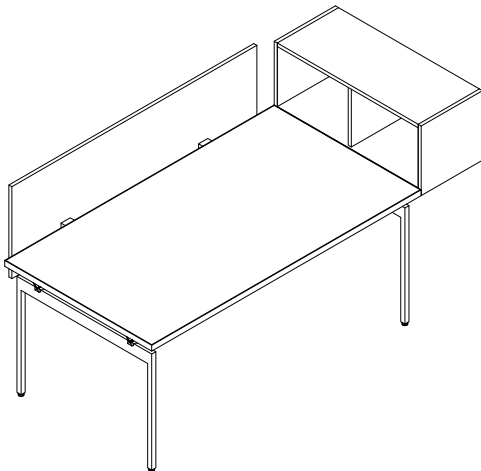
Laminate cabinet matches interior finish on both faces.

Specification Options

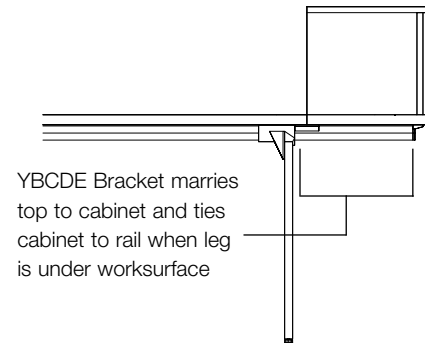
Specify laminate (L), "mixed" two-tone laminate (M) or veneer (V) case.

Case finish exterior is available in any Knoll Core laminate, patterned or woodgrain laminate up to 60"W, or veneer. When the case exterior is laminate, case interior and inset back are available in any Knoll Core or Accent laminate. When an Accent laminate is specified, the edgeband will match the exterior core laminate finish.

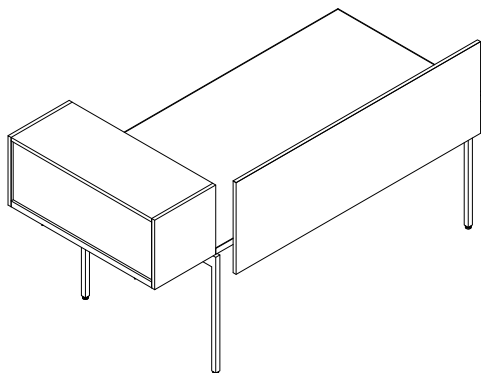
Specify mounting brackets separately.



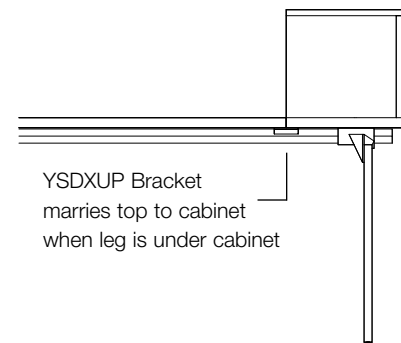
Above Desk Extension Cabinet Front



Above Desk Extension Cabinet Elevation, Leg Under Worksurface



Above Desk Extension Cabinet Back



Above Desk Extension Cabinet Elevation, Leg Under Cabinet

Extension Cabinets

For Desks

Planning Guidelines and Specifications

Below Desk Extension Cabinets

Below desk extension cabinet is wood construction, open binder storage that aligns with and provides some enclosure below the end of desk or return. Back of cabinet is open 2" below the top of the cabinet to permit desk support rails to extend inside. Binder opening faces away from the kneespace.

Cabinets can be specified in all laminate or veneer or mixed surface laminate: all "Interior" surfaces of laminate open storage areas can be specified in a contrasting core or "pop" laminate. Outside of flush back is considered an exterior surface.

Cabinets are sized 15 ½"H and 15"D and must be specified in case widths to match top depth: 24", 27", 30" or 36". Interior binder storage height below rails is 13".

Desk extension cabinets mount to desk rails specified 12" longer than top normally requires. Specify YBCDE rails to extension brackets separately.

Above desk extension cabinets can not be installed in the same location as a below desk extension cabinet.

Construction

Case is composed of 1 3/16" thick top (to match desk top) and 3/4" thick sides, back and bottom panels, with discreet glue-and-dowel connections. 36" wide cabinet has center vertical partition.

Veneer grain direction is horizontal on back, vertical on sides.

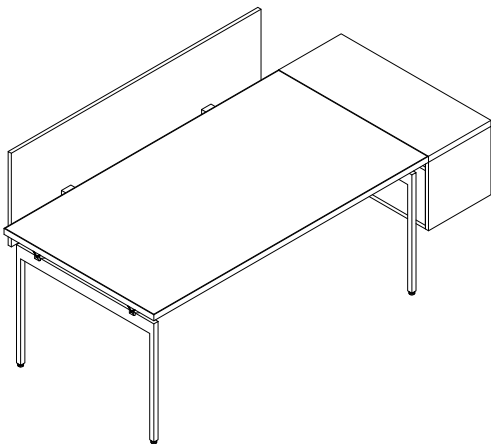
Laminate cabinet back matches exterior finish.

Specification Options

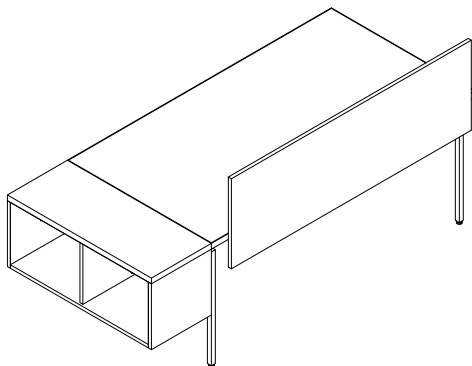
Specify laminate (L), "mixed" two-tone laminate (M) or veneer (V) case.

Case finish exterior is available in any Knoll Core laminate, patterned or woodgrain laminate up to 60"W, or veneer. When the case exterior is laminate, case interior is available in any Knoll Core or Accent laminate. When an Accent laminate is specified, the edgeband will match the exterior core laminate finish.

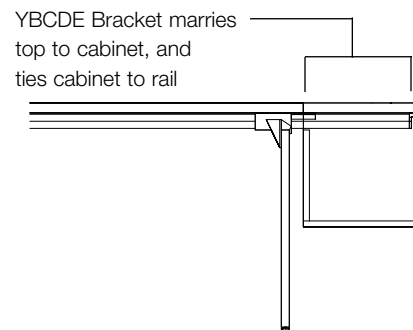
Specify mounting brackets separately.



Below Desk Extension Cabinet Front



Below Desk Extension Cabinet Back




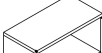
Below Desk Extension Cabinet Elevation

Extension Cabinets

For Desks

Above and Below Tops

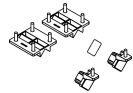
description	type	width	depth	height	pattern number	list	All Same	Different	Different	All V1	All V2	All V3
							Laminate (Core Lam.) (L)	Laminate Case/ Interior (Core Lam.) (L)	Laminate Case/ Interior (Accent Lam.) (L)			
	For 18" Deep Top	15"	18"	14 ³ / ₄ "	YSDXOS1815()	\$0.	\$1,241.	\$1,363.	\$1,612.	\$1,699.	\$1,956.	\$2,544.
	For 24" Deep Top	15"	24"	14 ³ / ₄ "	YSDXOS2415()	0.	1,305.	1,435.	1,695.	1,816.	2,087.	2,713.
	For 27" Deep Top	15"	27"	14 ³ / ₄ "	YSDXOS2715()	0.	1,370.	1,507.	1,779.	1,871.	2,153.	2,793.
	For 30" Deep Top	15"	30"	14 ³ / ₄ "	YSDXOS3015()	0.	1,435.	1,578.	1,866.	1,927.	2,218.	2,883.
	For 36" Deep Top	15"	36"	14 ³ / ₄ "	YSDXOS3615()	0.	1,564.	1,649.	1,950.	2,042.	2,347.	3,053.

	For 24" Deep Top	15"	24"	15 ¹ / ₂ "	YSDXSS2415()	0.	1,305.	1,435.	1,695.	1,816.	2,087.	2,713.
	For 27" Deep Top	15"	27"	15 ¹ / ₂ "	YSDXSS2715()	0.	1,370.	1,507.	1,779.	1,871.	2,153.	2,793.
	For 30" Deep Top	15"	30"	15 ¹ / ₂ "	YSDXSS3015()	0.	1,435.	1,578.	1,866.	1,927.	2,218.	2,883.
	For 36" Deep Top	15"	36"	15 ¹ / ₂ "	YSDXSS3615()	0.	1,564.	1,721.	2,035.	2,042.	2,347.	3,053.

Connector Kit for Above Desk Extension Cabinets	2 Brackets				YSDXUP	33.	0.	0.	0.	0.	0.	0.
---	------------	--	--	--	---------------	-----	----	----	----	----	----	----



Connector Kit for Above or Below Desk Extension Cabinets	2 Brackets				YBCDE	52.	0.	0.	0.	0.	0.	0.
--	------------	--	--	--	--------------	-----	----	----	----	----	----	----



Ordering Information

Extension Cabinets

1. Pattern Number
2. Exterior Case Finish
3. Interior Case Finish (Laminate only)

Mounting Brackets

1. Pattern Number
2. Paint Finish

Order Code

Extension Cabinets

Example: **YSDXSS2415L, 118,**

YSDXSS Below Desk Extension Cabinets

24 Depth

15 Width

L Laminate

118 Bright White Laminate

118 Bright White Laminate

Mounting Brackets

Example: **YBCDE, 118T**

YBCDE Mounting Brackets

118T Bright White Paint

Included With

Extension Cabinets

Specify extension cabinet mounting brackets separately.

Specify rails 12" longer than required top when specifying extension cabinets.

Mounting Brackets

Hardware

Options

Extension Cabinets

Case Finish Options:

(L) = All the same or different laminates for the exterior and interior case
(V) = All the same veneer for the exterior and interior case

Extension Cabinets

For Dual Sided Big Tables

Planning Guidelines and Specifications

Above Desk Extension Cabinets for Big Table

Above desk extension cabinet is wood construction, open binder storage that provides some seated privacy at a horizon of 42" on standard height big table. Bottom of cabinet aligns with ends of adjacent desk tops. Back of cabinet is inset $\frac{1}{2}$ " to provide niche for optional fabric insert.

Cabinets can be specified in all laminate or veneer or mixed surface laminate: all "Interior" surfaces of laminate open storage areas can be specified in a contrasting core or "pop" laminate. Inset back is considered an interior surface on both faces.

Cabinets are sized 15"H and 15"D and must be specified in case widths to match overall big table depth with center beam:

- 53 $\frac{1}{2}$ " case for dual 24" big table
- 59 $\frac{1}{2}$ " case for dual 27" big table
- 65 $\frac{1}{2}$ " case for dual 30" big table
- 77 $\frac{1}{2}$ " case for dual 36" big table

All cabinets have a center partition recessed $\frac{1}{2}$ " from front edge. 77 $\frac{1}{2}$ " deep cabinets for 36" deep big tables have two center partitions. Interior binder storage height is 13".

Big table extension cabinets mount to desk rails specified 12" longer than tops normally require. Specify YBTE rails to extension brackets separately.

Above desk extension cabinets for big table can not be installed in the same location as a below desk extension cabinet for big table.

Construction

Case is composed of 1 $\frac{3}{16}$ " thick bottom (to match desk top) and $\frac{3}{4}$ " thick sides, back and top panels, with discreet glue-and-dowel connections. 36" wide cabinet has center vertical partition.

Veneer grain direction is horizontal on back, vertical on sides.

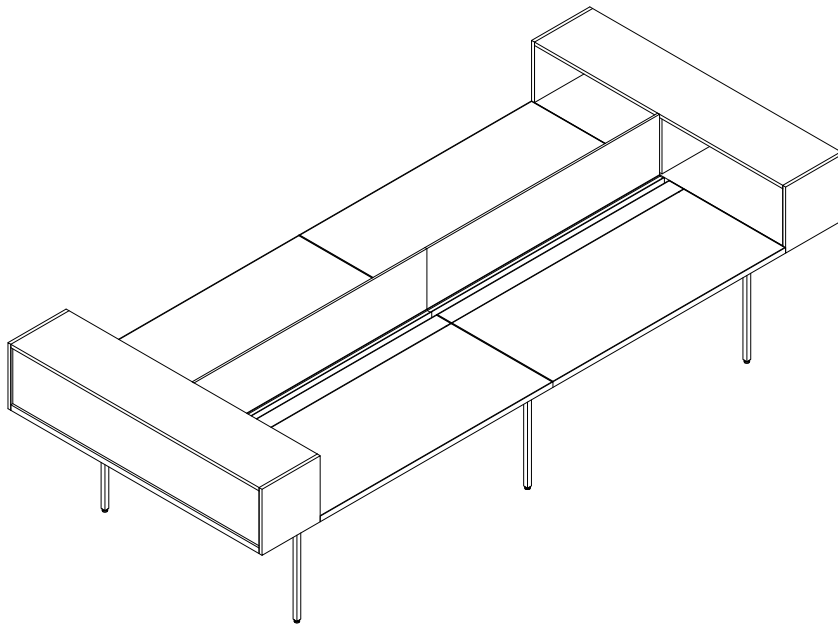
Laminate cabinet matches interior finish on both faces.

Specification Options

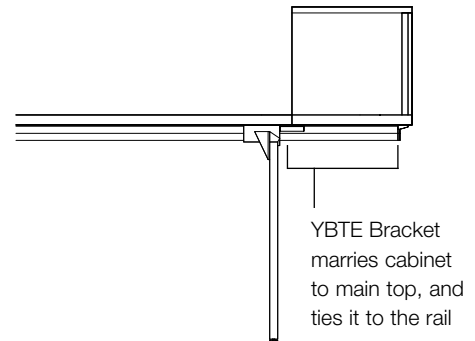
Specify laminate (L), "mixed" two-tone laminate or laminate case with veneer front (M) or veneer (V) case.

Case finish exterior is available in any Knoll Core laminate, patterned or woodgrain laminate up to 60"W, or veneer. When the case exterior is laminate, case interior and inset back are available in any Knoll Core or Accent laminate. When an Accent laminate is specified, the edgeband will match the exterior core laminate finish.

Specify mounting brackets separately.



Above Desk Extension Cabinets for Big Table



Above Desk Extension Cabinet for Big Table Elevation

*End Leg must stay under the Center Beam and can not be moved out to be placed under the extension top or cabinet

Extension Cabinets

For Dual Sided Big Tables

Planning Guidelines and Specifications

Below Desk Extension Cabinets for Big Table

Below desk extension cabinet for big table is wood construction, open binder storage that aligns with and provides some enclosure below the end of dual big table. Back of cabinet is open 2" below the top of the cabinet to permit desk support rails to extend inside. Binder opening faces away from the kneespace.

Cabinets can be specified in all laminate or veneer or mixed surface laminate: all "Interior" surfaces of laminate open storage areas can be specified in a contrasting core or "pop" laminate. Outside of flush back is considered an exterior surface.

Cabinets are sized 15 1/2"H and 15"D and must be specified in case widths to match overall big table depth with center beam:

- 53 1/2" case for dual 24" big table
- 59 1/2" case for dual 27" big table
- 65 1/2" case for dual 30" big table
- 77 1/2" case for dual 36" big table

All cabinets have a center partition recessed 1/2" from front edge. 77 1/2" deep cabinets for 36" deep big tables have two center partitions. Interior binder storage height is 13".

Desk extension cabinets mount to desk rails specified 12" longer than top normally requires. Specify YBTE rails to extension brackets separately.

Above desk extension cabinets for big table can not be installed in the same location as a below desk extension cabinet for big table.

Construction

Case is composed of 1 3/16" thick top (to match desk top) and 3/4" thick sides, back and bottom panels, with discreet glue-and-dowel connections. 36" wide cabinet has center vertical partition.

Veneer grain direction is horizontal on back, vertical on sides.

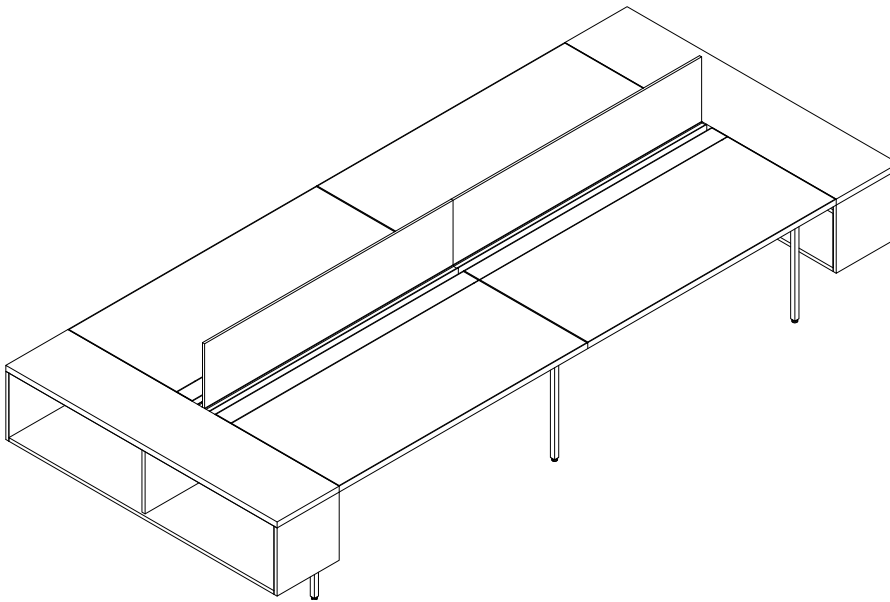
Laminate cabinet back matches exterior finish.

Specification Options

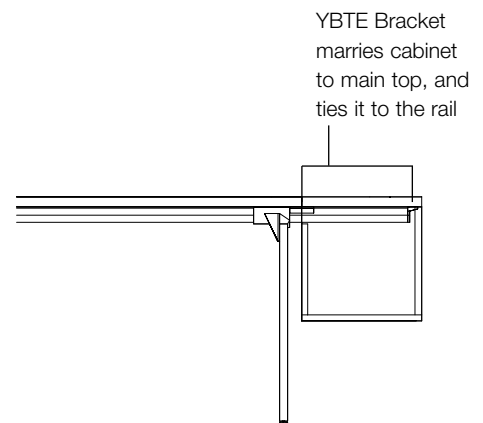
Specify laminate (L), "mixed" two-tone laminate (M) or veneer (V) case.

Case finish exterior is available in any Knoll Core laminate, patterned or woodgrain laminate up to 60"W, or veneer. When the case exterior is laminate, case interior is available in any Knoll Core or Accent laminate. When an Accent laminate is specified, the edgeband will match the exterior core laminate finish.

Specify mounting brackets separately.



Below Desk Extension Cabinets for Big Table



Below Desk Extension Cabinet for Big Table Elevation

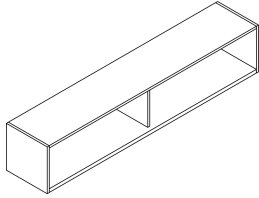
*End Leg must stay under the Center Beam and can not be moved out to be placed under the extension top or cabinet

Extension Cabinets

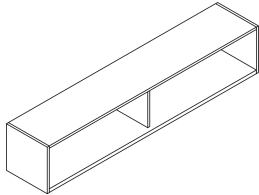
For Dual Sided Big Tables

Above and Below Tops

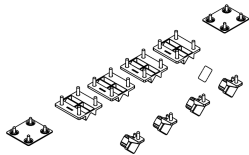
description	type	w	d	h	pattern no.	Paint	All Same	Different	Different	All V1	All V2	All V3
							Laminate (Core Lam.) (L)	Laminate Case/ Interior (Core Lam.) (L)	Laminate Case/ Interior (Accent Lam.) (L)			
Above Big Table Extension Cabinets	For 24" D Big Table	15"	53 1/2"	15"	YSDXOS5315()	n/a	\$1,956.	\$2,153.	\$2,544.	\$2,552.	\$2,935.	\$3,816.
	For 27" D Big Table	15"	59 1/2"	15"	YSDXOS5915()	n/a	2,087.	2,297.	2,713.	2,723.	3,130.	4,070.
	For 30" D Big Table	15"	65 1/2"	15"	YSDXOS6515()	n/a	2,218.	2,438.	2,883.	2,835.	3,260.	4,239.
	For 36" D Big Table	15"	77 1/2"	15"	YSDXOS7715()	n/a	2,414.	2,582.	3,053.	3,175.	3,650.	4,747.



Below Big Table Extension Cabinets	For 24" D Big Table	15"	53 1/2"	15"	YSDXSS5315()	n/a	1,956.	2,153.	2,544.	2,552.	2,935.	3,816.
	For 27" D Big Table	15"	59 1/2"	15"	YSDXSS5915()	n/a	2,087.	2,297.	2,713.	2,723.	3,130.	4,070.
	For 30" D Big Table	15"	65 1/2"	15"	YSDXSS6515()	n/a	2,218.	2,438.	2,883.	2,835.	3,260.	4,239.
	For 36" D Big Table	15"	77 1/2"	15"	YSDXSS7715()	n/a	2,414.	2,654.	3,137.	3,175.	3,650.	4,747.



Connector Kit for Above and Below Big Table Extension Cabinets	4 Brackets				YBTE	119.	n/a	n/a	n/a	n/a	n/a	n/a
--	------------	--	--	--	-------------	------	-----	-----	-----	-----	-----	-----



Ordering Information	Order Code	Included With	Options
Extension Cabinets 1. Pattern Number 2. Exterior Case Finish 3. Interior Case Finish (Laminate only)	Extension Cabinets <i>Example:</i> YSDXSS5915L, 118, 118 <hr/> YSDXSS Below Desk Extension Cabinets <hr/> 59 Depth <hr/> 15 Width <hr/> L Laminate <hr/> 118 Bright White Laminate <hr/> 118 Bright White Laminate <hr/> Mounting Brackets <i>Example:</i> YBTE, 118T <hr/> YBTE Mounting Brackets <hr/> 118T Bright White Paint	Extension Cabinets Specify extension cabinet mounting brackets separately. Specify rails 12" longer than required top when specifying extension cabinets. Mounting Brackets Hardware	Extension Cabinets Case Finish Options: (L) = All the same or different laminates for the exterior and interior case (V) = All the same veneer for the exterior and interior case

Fabric Inserts

Planning Guidelines and Specifications

Fabric Inserts for Above Desk or Big Table Extension Cabinets

Fabric back insert is tackable fabric panel, nominal 1/2" thick, that fits in the recess behind the back of above desk and big table extension cabinets. Fabric back inserts are 1 1/2" less wide and 2" less high than cabinet to fit between sides, top and bottom.

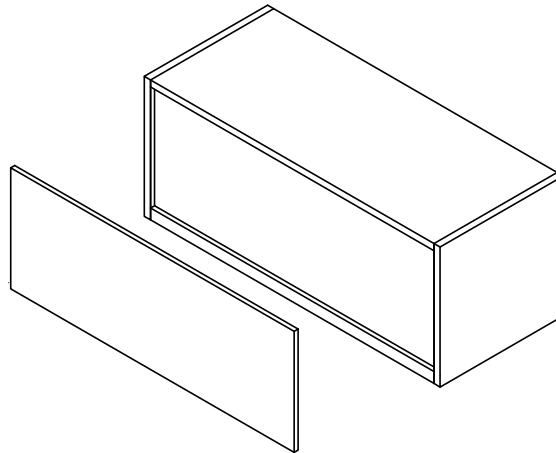
Fabric back insert is not applicable in below desk extension cabinets.

Construction

Fabric back insert is 1/2" tackable tile with fabric applied on exterior surface and edges. Fabric inserts are installed using double-sided adhesive tape, which is included. Two fabric inserts are included for big table extension cabinet applications.

Specification Options

Fabric inserts may be specified in any Antenna approved textile. For Customers Own Material (COM) applications, see yardage chart in front of Price List.





Fabric Inserts are Installed in the Back of Above Desk or Big Table Extension Cabinets

Extension Cabinets

Fabric Inserts

For Desk and Big Table Cabinets

description	type	w	d	h	pattern no.	grade				
						10	20	30	40	45
Fabric Inserts for Above Desk Extension Cabinets 	For 18" Deep Top	1/2"	16 1/2"	13"	YSDXFB18	\$210.	\$217.	\$224.	\$232.	\$241.
	For 24" Deep Top	1/2"	22 1/2"	13"	YSDXFB24	210.	217.	224.	232.	241.
	For 27" Deep Top	1/2"	25 1/2"	13"	YSDXFB27	210.	217.	224.	232.	241.
	For 30" Deep Top	1/2"	28 1/2"	13"	YSDXFB30	210.	217.	224.	232.	241.
	For 36" Deep Top	1/2"	34 1/2"	13"	YSDXFB36	222.	230.	239.	250.	260.
Fabric Inserts for Above Big Table Extension Cabinets 	For 24" Deep Dual Big Table	1/2"	52"	13"	YSDXFB53	264.	274.	286.	294.	305.
	For 27" Deep Dual Big Table	1/2"	58"	13"	YSDXFB59	264.	274.	286.	294.	305.
	For 30" Deep Dual Big Table	1/2"	64"	13"	YSDXFB65	291.	302.	315.	328.	339.
	For 36" Deep Dual Big Table	1/2"	76"	13"	YSDXFB77	291.	302.	315.	328.	339.

Ordering Information

Fabric Inserts

1. Pattern Number
2. Fabric Finish

Order Code

Extension Cabinets

Example: **YSDXFB30, W1077**

YSDXFB Fabric Insert

30 Width

W1077 Element

Included With

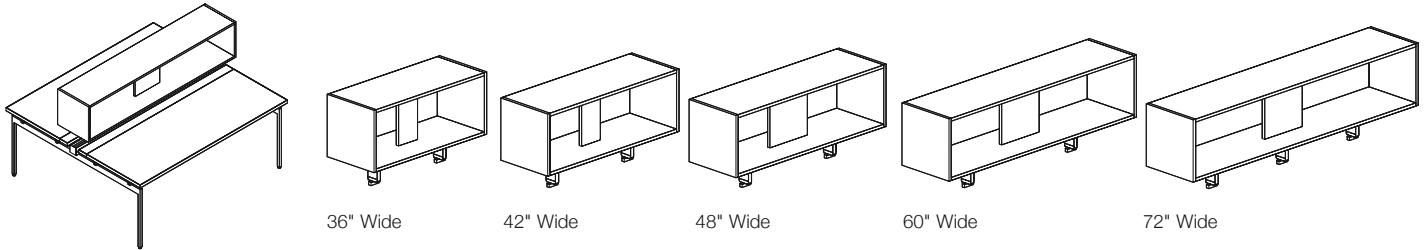
Fabric Inserts

Options

Fabric Inserts

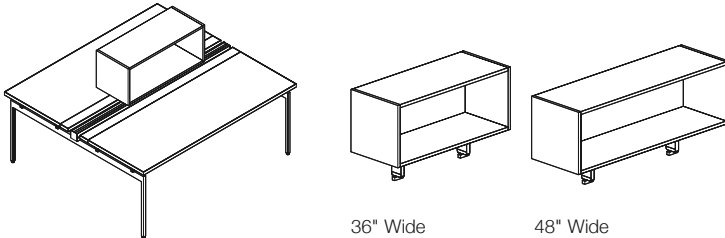
Wood Storage

Open Front and Back Cabinets



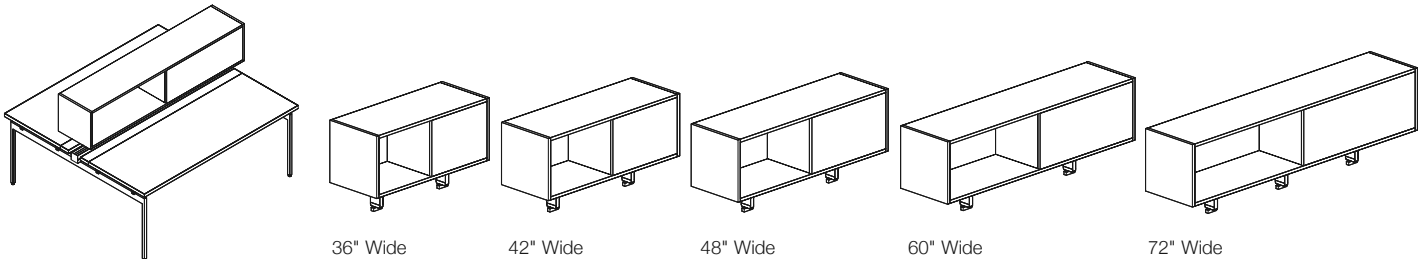
Dual Big Table with Stanchion Mounted
Open Front and Back Cabinet

Open Front and Enclosed Back Cabinets



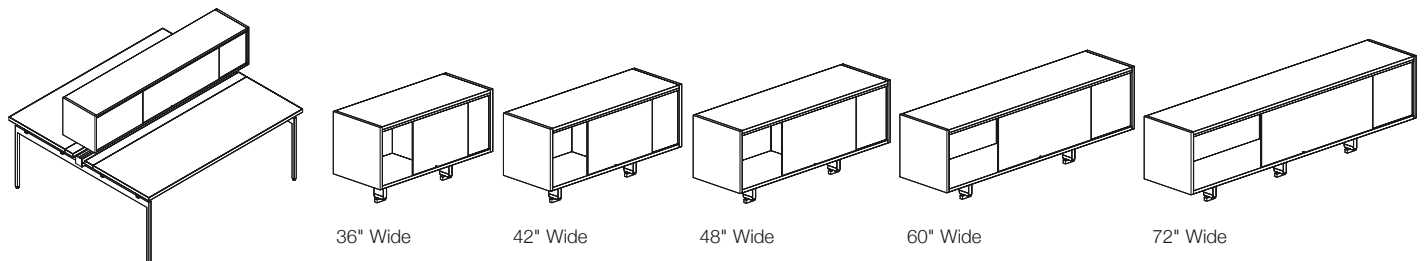
Dual Big Table with Stanchion Mounted
Open Front and Enclosed Back Cabinet

Shared Open Front and Enclosed Back Cabinets



Dual Big Table with Stanchion Mounted Shared
Open Front and Enclosed Back Cabinet

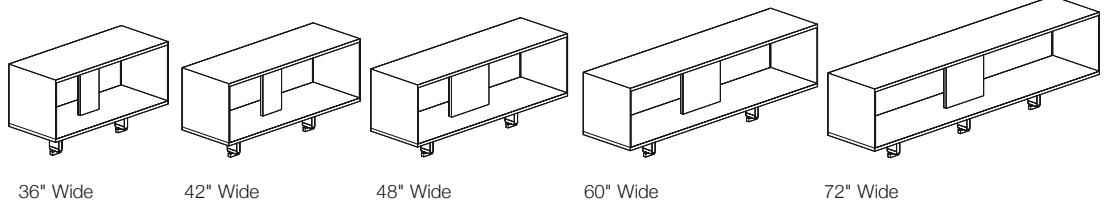
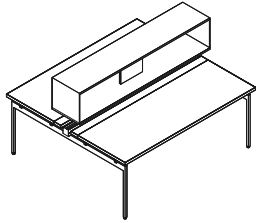
Shared Sliding Door Cabinets



Dual Big Table with Stanchion Mounted
Shared Sliding Door Cabinet

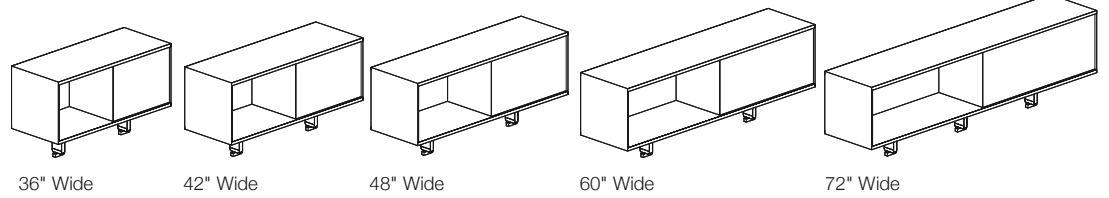
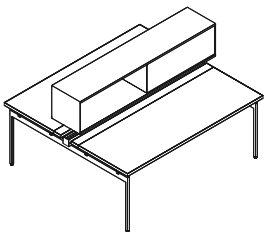
Metal Storage

Open Front and Back Cabinets



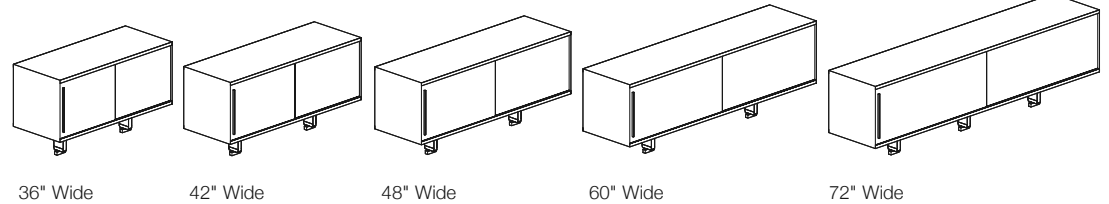
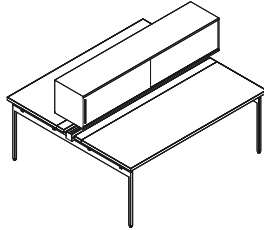
Dual Big Table with Stanchion Mounted Open Front and Back Cabinet

Shared Open Front and Enclosed Back Cabinets



Dual Big Table with Stanchion Mounted Shared Open Front and Enclosed Back Cabinet

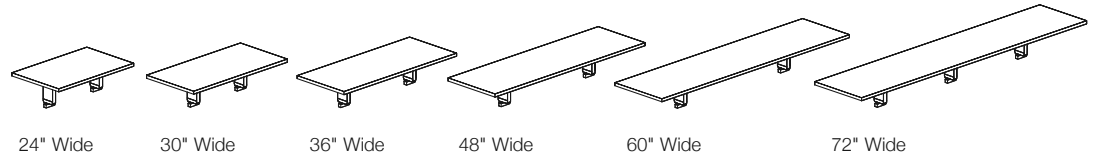
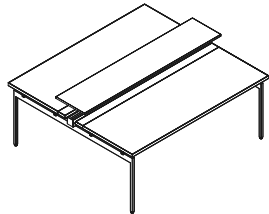
Shared Sliding Door Cabinets



Dual Big Table with Stanchion Mounted Shared Sliding Door Cabinet

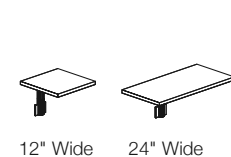
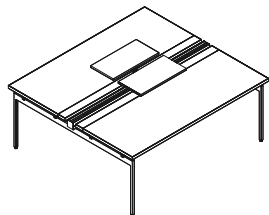
Shelves

Platform Shelves



Dual Big Table with Platform Shelf

Cantilever Shelves



Dual Big Table with Cantilever Shelves

Stanchion Mounted Wood Storage For Big Table and Fence Planning Guidelines and Specifications

Stanchion Mounted Open Wood Cabinets

Stanchion mounted open wood cabinets provide binder storage within easy reach from a seated position. Cabinets are available in two configurations: open front with enclosed back, for one-sided use, and open both front and back for shared use.

Cabinets mount on big table center beam or on Fence, with storage stanchion supports, specified separately.

Open front and back cabinets are available in 36", 48", 60" and 72" widths. A center panel parallel to the open front and back provides structural support, and serves to filter sightlines through the cabinet. Cabinets 36"W have a

6" wide center panel, cabinets 42" and wider have a 12" wide center panel. Support panel and all interior surfaces can be specified in a different laminate than exterior surfaces.

Enclosed back cabinets are available in 36" and 48" widths. Enclosed back cabinet has a full back, recessed 1/2" for optional fabric insert, specified separately.

Both sides of recessed back are considered interior surfaces, if specifying two-tone laminate finishes.

All stanchion mounted cabinets are 15"H x 15"D, with 13 1/2" clear interior height for binder storage. Cabinet sides, top and bottom are 3/4" thick, in laminate or veneer, or a combination of laminates.

Construction

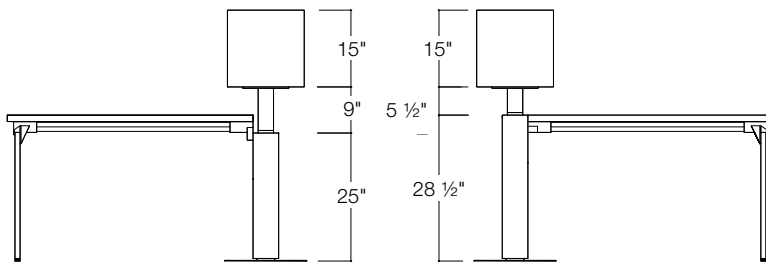
Case is composed of 3/4" thick wood panels, with discreet glue-and-dowel connections.

Specification Options

Specify laminate (L), "mixed" two-tone laminate (M) or veneer (V) case.

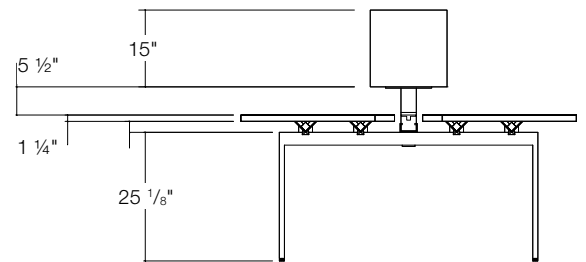
Case finish exterior is available in any Knoll Core laminate, patterned or woodgrain laminate up to 60"W, or veneer. When the case exterior is laminate, case interior and inset back are available in any Knoll Core or Accent laminate. When an Accent laminate is specified, the edgeband will match the exterior core laminate finish.

Specify stanchions separately.

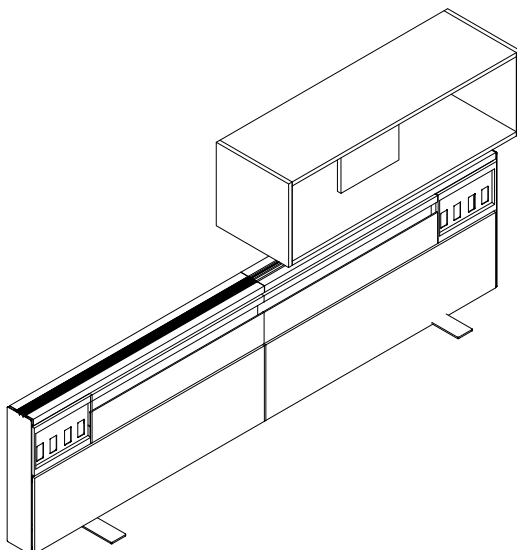


25"H Fence with Stanchion Mounted Open Wood Cabinet Elevation

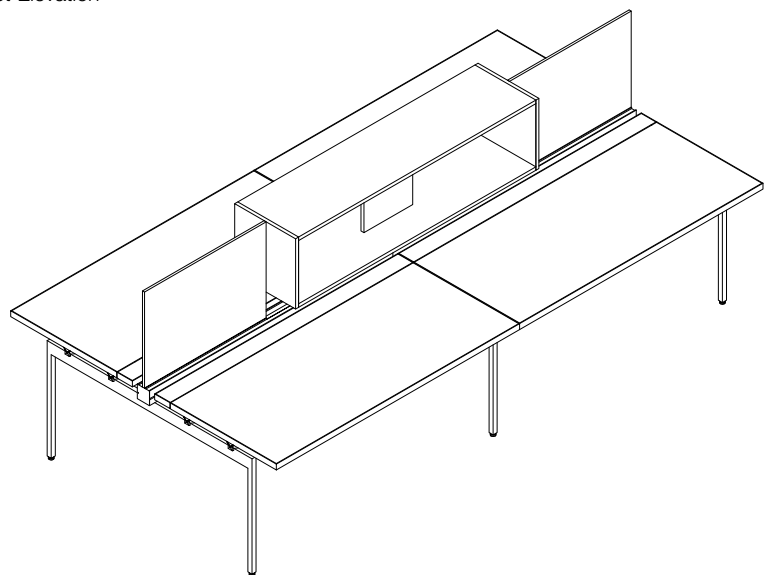
28 1/2"H Fence with Stanchion Mounted Open Wood Cabinet Elevation



Big Table with Stanchion Mounted Open Wood Cabinet Elevation



25"H Fence with Stanchion Mounted Open Wood Cabinet



Big Table with Stanchion Mounted Open Wood Cabinet and Screens

Stanchion Mounted Wood Storage

For Big Table and Fence

Planning Guidelines and Specifications

Stanchion Mounted Enclosed Wood Cabinets

Stanchion mounted enclosed wood cabinets provide binder storage within easy reach from a seated position. Cabinets are split with a center partition and a sliding door front on each side of the cabinet for shared use. Cabinets mount on big table center beam or on Fence, with storage stanchion supports, specified separately.

Enclosed wood cabinets are available in 36", 42", 48", 60" and 72" widths.

Each face of cabinet has a sliding door overlapping the recessed back of the cabinet facing the other side.

Cabinets can be specified with both openings on the left or both on the right side.

Cabinets can be specified in all laminate or veneer or mixed surface laminate: all "Interior" surfaces of laminate cabinet can be specified in a contrasting core or "pop" laminate. Partition and inset back are considered interior surfaces on both faces.

All stanchion mounted cabinets are 15"H x 15"D, with 13 ½" clear interior height for binder storage. Cabinet sides, top and bottom are ¾" thick, in laminate or veneer.

Construction

Case is composed of ¾" thick wood panels, with discreet glue-and-dowel connections.

Specification Options

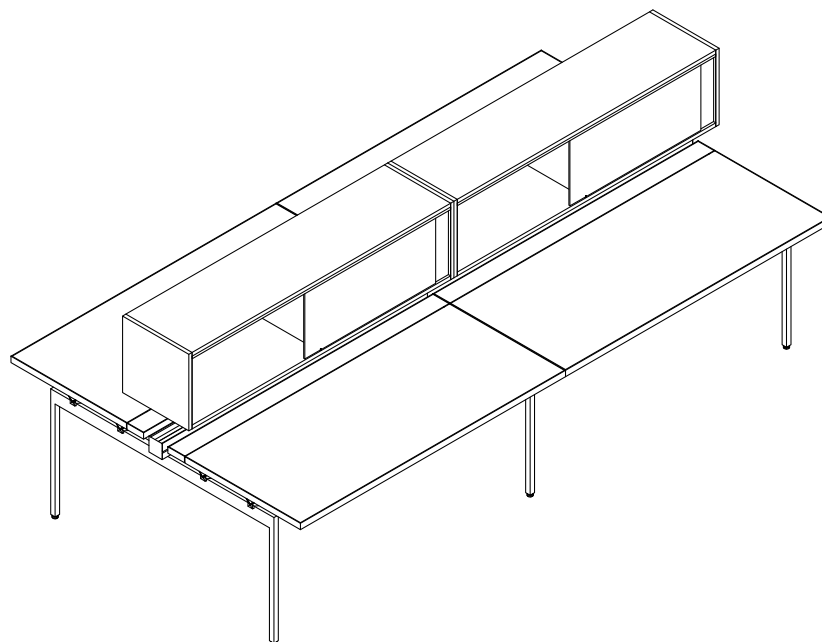
Specify laminate (L), "mixed" two-tone laminate (M) or veneer (V) case. Enclosed wood cabinets are non-locking.

Case finish exterior is available in any Knoll Core laminate, patterned or woodgrain laminate up to 60"W, or veneer. When the case exterior is laminate, case interior and inset back are available in any Knoll Core or Accent laminate. When an Accent laminate is specified, the edgeband will match the exterior core laminate finish.

Door sets are specified separately to enable any combination of wood or laminate case and doors. Specify drawer front sets in any Knoll Core laminate (L) or veneer (V).

Pulls are available in any Knoll Core paint finish, Dark Red or Slate Blue.

Specify stanchions separately.



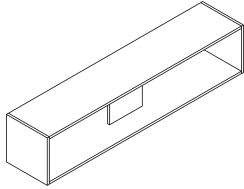
Big Table with Stanchion Mounted Shared Sliding Door Cabinets, Openings on Left

Stanchion Mounted Wood Storage

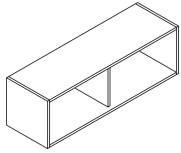
For Big Table and Fence

Open Cabinets

description	w	d	h	pattern no.	All Same	Different	Different	V1	V2	V3
					Laminate (Core Lam.) (L)	Laminate Case/ Interior (Core Lam.) (L)	Laminate Case/ Interior (Accent lam.) (L)			
Stanchion Mounted Cabinet, Open Front and Back	36"	15"	15"	YSUOS3615()	\$1,173.	\$1,291.	\$1,699.	\$1,699.	\$1,956.	\$2,544.
	42"	15"	15"	YSUOS4215()	1,241.	1,363.	1,758.	1,758.	2,023.	2,627.
	48"	15"	15"	YSUOS4815()	1,305.	1,435.	1,816.	1,816.	2,087.	2,713.
	60"	15"	15"	YSUOS6015()	1,631.	1,791.	2,268.	2,268.	2,608.	2,998.
	72"	15"	15"	YSUOS7215()	1,763.	1,939.	2,438.	2,438.	2,805.	3,645.

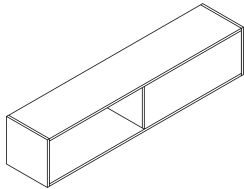


Stanchion Mounted Cabinet, Open Front and Enclosed Back	36"	15"	15"	YSUES3615()	1,370.	1,507.	1,871.	1,871.	2,153.	2,798.
	48"	15"	15"	YSUES4815()	1,564.	1,721.	2,156.	2,156.	2,477.	3,220.



(48" wide cabinet with septum shown)

Stanchion Mounted Shared Cabinet, Open Front and Enclosed Back Opening on Left	36"	15"	15"	YSUSNDL3615()	1,564.	1,721.	2,415.	2,415.	2,777.	3,608.
	42"	15"	15"	YSUSNDL4215()	1,597.	1,758.	2,470.	2,470.	2,838.	3,690.
	48"	15"	15"	YSUSNDL4815()	1,631.	1,791.	2,523.	2,523.	2,902.	3,771.
	60"	15"	15"	YSUSNDL6015()	1,695.	1,864.	2,681.	2,681.	3,080.	4,005.
	72"	15"	15"	YSUSNDL7215()	1,825.	2,008.	2,789.	2,789.	3,207.	4,168.



Ordering Information

Stanchion Mounted Cabinets

1. Pattern Number
2. Exterior Case Finish
3. Interior Case Finish (Laminate only)

Order Code

Stanchion Mounted Cabinets	
<i>Example:</i>	YSUOS6015L, 118, 118
YSUOS	Stanchion Mounted Cabinets
60	Width
15	Depth
L	Laminate
118	Bright White Laminate
118	Bright White Laminate

Included With

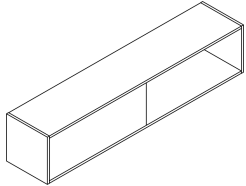
Stanchion Mounted Cabinets
Specify stanchion brackets for attachment to big table and fence separately

Options

Stanchion Mounted Cabinets
Case Finish Options:
(L) = All the same or different laminates for the exterior and interior case
(V) = All the same veneer for the exterior and interior case

Stanchion Mounted Wood Storage For Big Table and Fence Open Cabinets

description	w	d	h	pattern no.	All Same	Different	Different	V1	V2	V3
					Laminate (Core Lam.) (L)	Laminate Case/ Interior (Core Lam.) (L)	Laminate Case/ Interior (Accent lam.) (L)			
Stanchion Mounted Shared Cabinet, Open Front and Enclosed Back Opening on Right	36"	15"	15"	YSUSNDR3615()	\$1,564.	\$1,721.	\$2,415.	\$2,415.	\$2,777.	\$3,608.
	42"	15"	15"	YSUSNDR4215()	1,597.	1,758.	2,470.	2,470.	2,838.	3,690.
	48"	15"	15"	YSUSNDR4815()	1,631.	1,791.	2,523.	2,523.	2,902.	3,771.
	60"	15"	15"	YSUSNDR6015()	1,695.	1,864.	2,681.	2,681.	3,080.	4,005.
	72"	15"	15"	YSUSNDR7215()	1,825.	2,008.	2,789.	2,789.	3,207.	4,168.



Ordering Information

Stanchion Mounted Cabinets

1. Pattern Number
2. Exterior Case Finish
3. Interior Case Finish (Laminate only)

Order Code

Stanchion Mounted Cabinets

Example: **YSUOS6015L, 118, 118**

YSUOS	Stanchion Mounted Cabinets
60	Width
15	Depth
L	Laminate
118	Bright White Laminate
118	Bright White Laminate

Included With

Stanchion Mounted Cabinets

Specify stanchion brackets for attachment to big table and fence separately

Options

Stanchion Mounted Cabinets

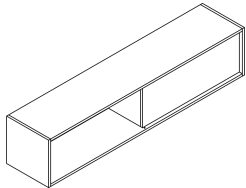
Case Finish Options:

(L) = All the same or different laminates for the exterior and interior case
(V) = All the same veneer for the exterior and interior case

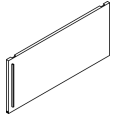
For Big Table and Fence

Shared Sliding Door Cabinets with Opening on Left

description	w	d	h	pattern no.	All Same	Different	Different	V1	V2	V3
					Laminate (Core Lam.) (L)	Laminate Case/ Interior (Core Lam.) (L)	Laminate Case/ Interior (Accent Lam.) (L)			
Stanchion Mounted Shared Sliding Door Cabinet Case, Opening on Left	36"	15"	15"	YSUSDL3615()	\$1,825.	\$2,007.	\$2,998.	\$2,998.	\$3,450.	\$4,484.
	42"	15"	15"	YSUSDL4215()	1,893.	2,081.	3,067.	3,067.	3,525.	4,581.
	48"	15"	15"	YSUSDL4815()	1,956.	2,153.	3,130.	3,130.	3,598.	4,681.
	60"	15"	15"	YSUSDL6015()	2,477.	2,727.	3,521.	3,521.	4,051.	5,263.
	72"	15"	15"	YSUSDL7215()	2,608.	2,869.	3,782.	3,782.	4,350.	5,652.



Sliding Door Kit for Stanchion Mounted Shared Sliding Doors Cabinet Case, Opening on Left	36"	3/4"	15"	YSSDL3615()	718.	n/a	n/a	1,010.	1,164.	1,511.
	42"	3/4"	15"	YSSDL4215()	751.	n/a	n/a	1,043.	1,201.	1,559.
	48"	3/4"	15"	YSSDL4815()	783.	n/a	n/a	1,076.	1,239.	1,609.
	60"	3/4"	15"	YSSDL6015()	817.	n/a	n/a	1,140.	1,317.	1,715.
	72"	3/4"	15"	YSSDL7215()	881.	n/a	n/a	1,241.	1,423.	1,853.



Ordering Information

Stanchion Mounted Cabinets

1. Pattern Number
2. Exterior Case Finish
3. Interior Case Finish (Laminate only)

Sliding Doors

1. Pattern Number
2. Door Finish
3. Pull Finish

Order Code

Stanchion Mounted Cabinets

Example: **YSUSDL6015L, 118, 118**

YSUSDL	Stanchion Mounted Cabinets
60	Width
15	Depth
L	Laminate
118	Bright White Laminate
118	Bright White Laminate

Sliding Doors

Example: **YSSDL6015L, 118**

YSSD	Sliding Doors
L	Left
60	Width
15	Depth
L	Laminate
118	Bright White Laminate

Included With

Stanchion Mounted Cabinets
Specify stanchion brackets for attachment to big table and fence separately

Sliding Doors
Hardware

Options

Stanchion Mounted Cabinets

Case Finish Options:

(L) = All the same or different laminates for the exterior and interior case
(V) = All the same veneer for the exterior and interior case

Sliding Doors

Door Finish Options:

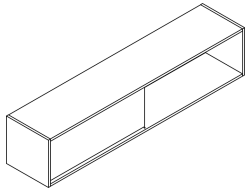
(L) = Laminate
(V) = Veneer

Door pulls are available in Knoll core paints, Dark Red (130) and Slate Blue (131) paint finishes.

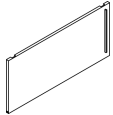
For Big Table and Fence

Shared Sliding Door Cabinets with Opening on Right

description	w	d	h	pattern no.	All Same	Different	Different	V1	V2	V3
					Laminate (Core Lam.) (L)	Laminate Case/ Interior (Accent Lam.) (L)	Laminate Case/ Interior (Accent Lam.) (L)			
Stanchion Mounted Shared Sliding Door Cabinet Case Opening on Right	36"	15"	15"	YSUSDR3615()	\$1,825.	\$2,007.	\$2,998.	\$2,998.	\$3,450.	\$4,484.
	42"	15"	15"	YSUSDR4215()	1,893.	2,081.	3,067.	3,067.	3,525.	4,581.
	48"	15"	15"	YSUSDR4815()	1,956.	2,153.	3,130.	3,130.	3,598.	4,681.
	60"	15"	15"	YSUSDR6015()	2,477.	2,727.	3,521.	3,521.	4,051.	5,263.
	72"	15"	15"	YSUSDR7215()	2,608.	2,869.	3,782.	3,782.	4,350.	5,652.



Sliding Door Kit for Stanchion Mounted Shared Sliding Doors Cabinet Case, Opening on Right	36"	3/4"	15"	YSSDR3615 ()	718.	n/a	n/a	1,010.	1,164.	1,511.
	42"	3/4"	15"	YSSDR4215 ()	751.	n/a	n/a	1,043.	1,201.	1,559.
	48"	3/4"	15"	YSSDR4815 ()	783.	n/a	n/a	1,076.	1,239.	1,609.
	60"	3/4"	15"	YSSDR6015 ()	817.	n/a	n/a	1,140.	1,317.	1,715.
	72"	3/4"	15"	YSSDR7215 ()	881.	n/a	n/a	1,241.	1,423.	1,853.



Ordering Information

Stanchion Mounted Cabinets

1. Pattern Number
2. Exterior Case Finish
3. Interior Case Finish (Laminate only)

Sliding Doors

1. Pattern Number
2. Door Finish
3. Pull Type
4. Pull Finish

Order Code

Stanchion Mounted Cabinets

Example: **YSUSDR6015L, 118, 118**

YSUSDR	Stanchion Mounted Cabinets
60	Width
15	Depth
L	Laminate
118	Bright White Laminate
118	Bright White Laminate

Sliding Doors

Example: **YSSDR6015L, 118**

YSSD	Sliding Doors
R	Right
60	Width
15	Depth
L	Laminate
118	Bright White Laminate

Included With

Stanchion Mounted Cabinets
Specify stanchion brackets for attachment to big table and fence separately

Sliding Doors
Hardware

Options

Stanchion Mounted Cabinets

Case Finish Options:
(L) = All the same or different laminates for the exterior and interior case
(V) = All the same veneer for the exterior and interior case

Sliding Doors

Door Finish Options:
(L) = Laminate
(V) = Veneer

Door pulls are available in Knoll core paints, Dark Red (130) and Slate Blue (131) paint finishes.

Stanchion Mounted Metal Storage

For Big Table and Fence

Planning Guidelines and Specifications

Stanchion Mounted Metal Open Cabinets

Stanchion mounted metal open cabinets provide binder storage within easy reach from a seated position. Cabinets are open both front and back for shared use.

Cabinets mount on big table center beam or on Fence, with storage stanchion supports, specified separately.

Open front and back cabinets are available in 36", 42", 48", 60" and 72" widths. A center panel parallel to the open front and back provides structural support, and serves to filter sightlines through the cabinet. Cabinets 36"W have a 6" wide center panel, cabinets 48" and wider have a 12" wide center panel. Enclosed back cabinets are available in 36", 42", 48", 60" and 72" widths.

All stanchion mounted cabinets are 15"H x 15"D, with 13 1/2" clear interior height for binder storage. Cabinet sides, top and bottom are painted steel finish.

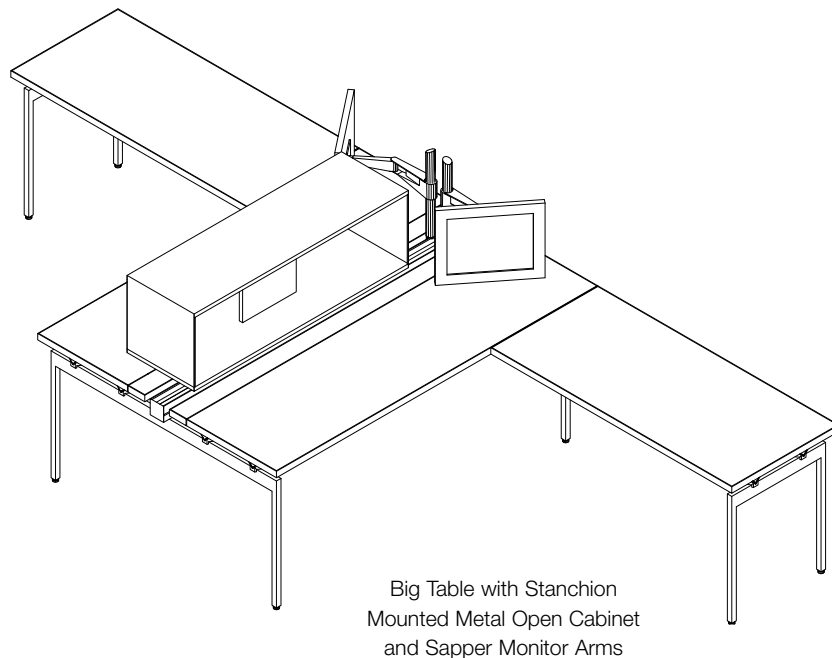
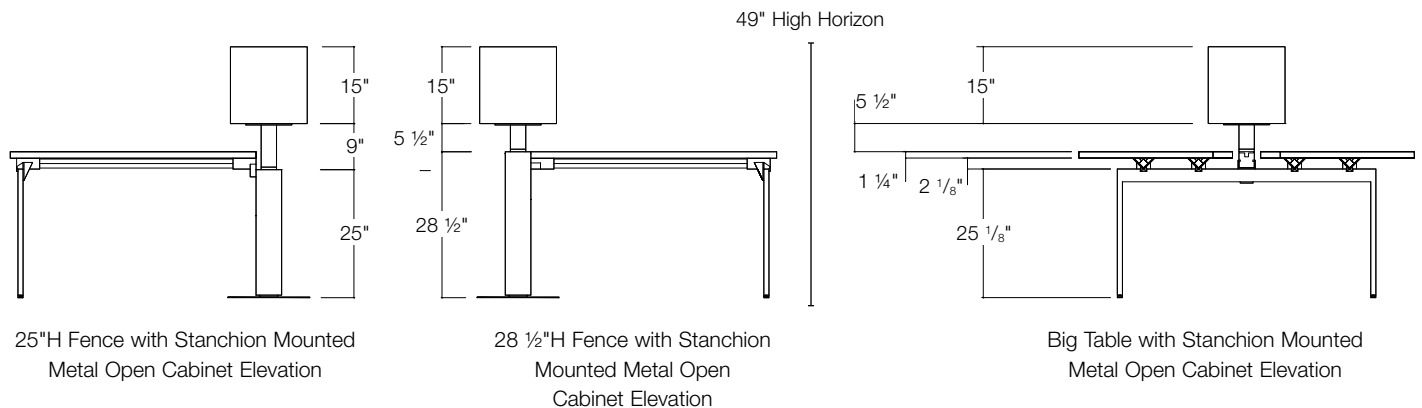
Construction

Cabinet top and bottom are formed to 3/4" thick, and sides are flat, heavy gauge steel.

Specification Options

Specify case in any Knoll Core paint finish.

Specify stanchions separately.



Big Table with Stanchion Mounted Metal Open Cabinet and Sapper Monitor Arms

Stanchion Mounted Metal Storage For Big Table and Fence Planning Guidelines and Specifications

Stanchion Mounted Shared Metal Cabinets

Stanchion mounted shared metal cabinets provide binder storage within easy reach from a seated position. Cabinets are split with a center partition and available open or with a sliding door front on each face. Cabinets mount on big table center beam or on Fence, with a pair of storage stanchion supports, specified separately.

Shared cabinets are available in 36", 42", 48", 60" and 72" widths. Each face of cabinet has a sliding door overlapping the recessed back of the cabinet facing the other side. Cabinets can be specified with both openings on the left or both on the right side.

Cabinets can be specified in all painted finish case and interior, with matching or contrasting doors finish.

All stanchion mounted cabinets are 15"H x 15"D, with 13 1/2" clear interior height for binder storage.

Construction

Cabinet top and bottom are formed to 3/4" thick, and sides are flat, heavy gauge steel.

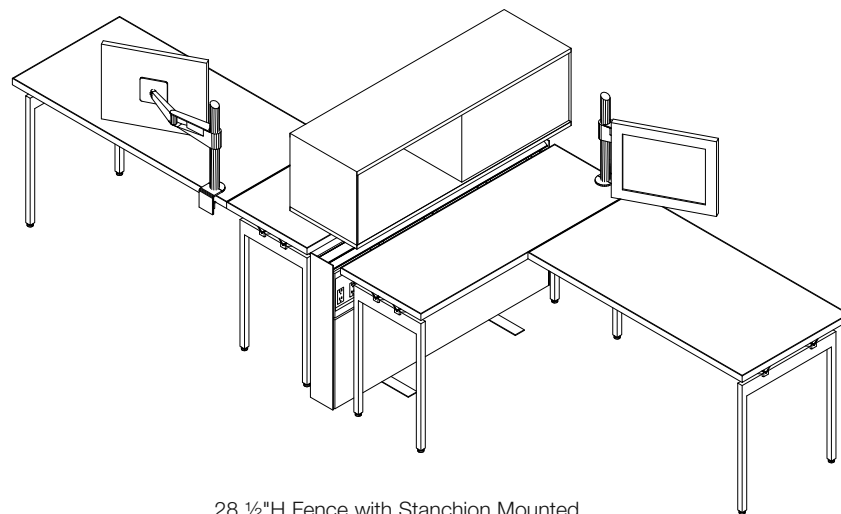
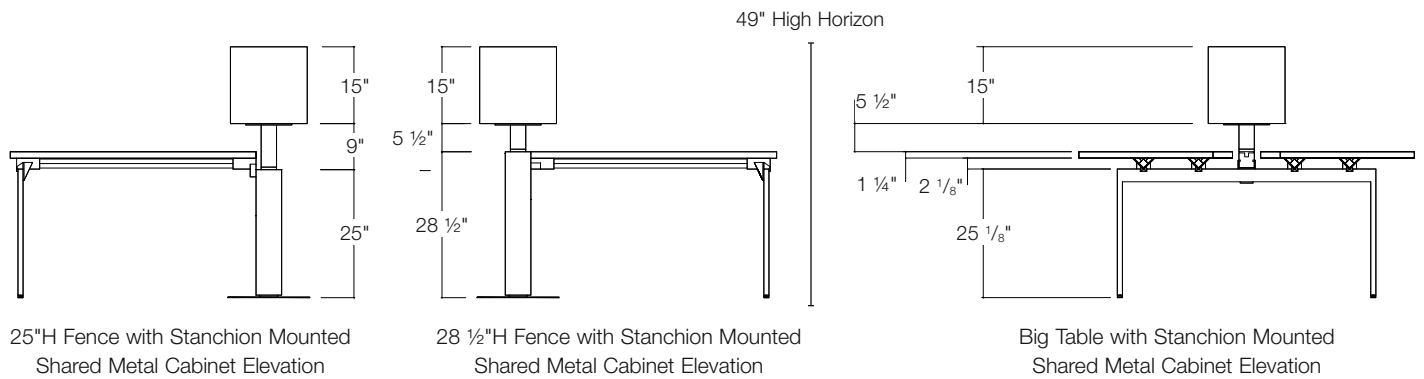
Specification Options

Specify locking (L) or non-locking (N).

When different paint finishes are being selected for the case, doors or pulls, add a (Y) suffix to the pattern number. If a single paint finish is being specified for all components add an (S).

Specify case, doors and pulls in any Knoll Core paint finish.

Specify stanchions separately.



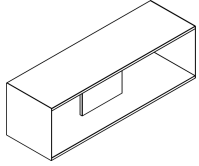
28 1/2"H Fence with Stanchion Mounted Shared Metal Cabinet and Antenna Desks

Stanchion Mounted Metal Storage

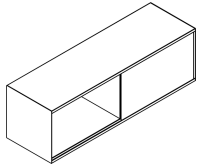
For Big Table and Fence

Open and Shared Cabinets

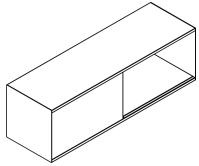
description	w	d	h	pattern no.	list	P2	P3
Stanchion Mounted Cabinets, Open Front and Back	36"	15"	15"	YSMUOS36	\$826.	\$904.	\$943.
	42"	15"	15"	YSMUOS42	853.	934.	974.
	48"	15"	15"	YSMUOS48	883.	969.	1,011.
	60"	15"	15"	YSMUOS60	1,076.	1,179.	1,232.
	72"	15"	15"	YSMUOS72	1,148.	1,262.	1,317.



Stanchion Mounted Shared Cabinets, with Enclosed Back and Open Front, Opening on Left	36"	15"	15"	YSMUSOL36	963.	1,061.	1,110.
	42"	15"	15"	YSMUSOL42	1,003.	1,104.	1,156.
	48"	15"	15"	YSMUSOL48	1,046.	1,150.	1,205.
	60"	15"	15"	YSMUSOL60	1,264.	1,390.	1,453.
	72"	15"	15"	YSMUSOL72	1,344.	1,479.	1,548.



Stanchion Mounted Shared Cabinets, with Enclosed Back and Open Front, Opening on Right	36"	15"	15"	YSMUSOR36	963.	1,061.	1,110.
	42"	15"	15"	YSMUSOR42	1,003.	1,104.	1,156.
	48"	15"	15"	YSMUSOR48	1,046.	1,150.	1,205.
	60"	15"	15"	YSMUSOR60	1,264.	1,390.	1,453.
	72"	15"	15"	YSMUSOR72	1,344.	1,479.	1,548.



Ordering Information

Stanchion Mounted Open Cabinets

1. Pattern Number
2. Case Paint Finish

Order Code

Stanchion Mounted Open Cabinets

Example: YSMUOS48, 118T

YSMUOS Stanchion Mounted Cabinets

48 Width

118T Bright White Paint

Included With

Stanchion Mounted Open Cabinets

Specify stanchion brackets for attachment to big table and fence separately.

Options

Stanchion Mounted Open Cabinets

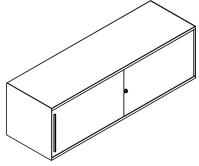
When different paint finishes are being selected for the case, doors or pulls, the price is the higher of the two paint finish grades.

Stanchion Mounted Metal Storage

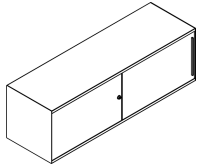
For Big Table and Fence

Open and Shared Cabinets

description	w	d	h	pattern no.	list	P2	P3
Stanchion Mounted Shared Cabinets, with Sliding Doors, Opening On Left	36"	15"	15"	YSMUSDL36L()	\$1,204.	\$1,317.	\$1,376.
	42"	15"	15"	YSMUSDL42L()	1,247.	1,366.	1,426.
	48"	15"	15"	YSMUSDL48L()	1,288.	1,410.	1,474.
	60"	15"	15"	YSMUSDL60L()	1,519.	1,664.	1,737.
	72"	15"	15"	YSMUSDL72L()	1,635.	1,790.	1,871.



Stanchion Mounted Shared Cabinets, with Sliding Doors, Opening On Right	36"	15"	15"	YSMUSDR36L()	1,204.	1,317.	1,376.
	42"	15"	15"	YSMUSDR42L()	1,247.	1,366.	1,426.
	48"	15"	15"	YSMUSDR48L()	1,288.	1,410.	1,474.
	60"	15"	15"	YSMUSDR60L()	1,519.	1,664.	1,737.
	72"	15"	15"	YSMUSDR72L()	1,635.	1,790.	1,871.



Ordering Information

Stanchion Mounted Open Cabinets

1. Pattern Number
2. Case Paint Finish

Order Code

Stanchion Mounted Open Cabinets

Example: YSMUOS48, 118T

YSMUOS Stanchion Mounted Cabinets

48 Width

118T Bright White Paint

Included With

Stanchion Mounted Open Cabinets

Specify stanchion brackets for attachment to big table and fence separately.

Options

Stanchion Mounted Open Cabinets

When different paint finishes are being selected for the case, doors or pulls, the price is the higher of the two paint finish grades.

Stanchion Mounted Platform

For Big Table and Fence

Planning Guidelines and Specifications

Stanchion Mounted Platforms

Platforms are a rectangular laminate or veneer surface that mounts on stanchions on the center beam of a big table or on the crown of either height Fence. Specify a pair of storage support stanchions separately.

Platforms are 15"D, and centered over the stanchions, in widths from 24"-72" in 6" increments.

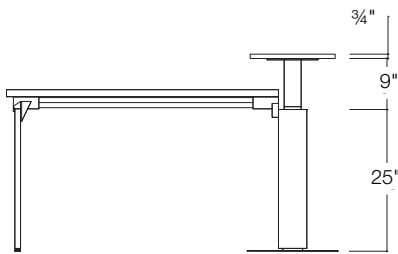
Construction

Platforms are 3/4" thick particle MDF with laminate surface or veneer. Threaded inserts are positioned over stanchion locations.

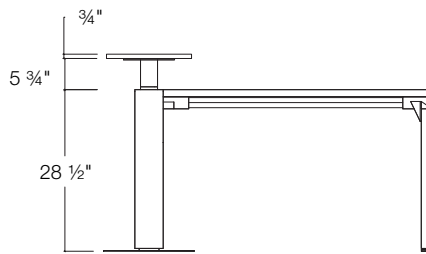
Specification Options

Specify either a laminate (L) or veneer (V) surface. Surface finish is available in any Knoll Core laminate or veneer finish.

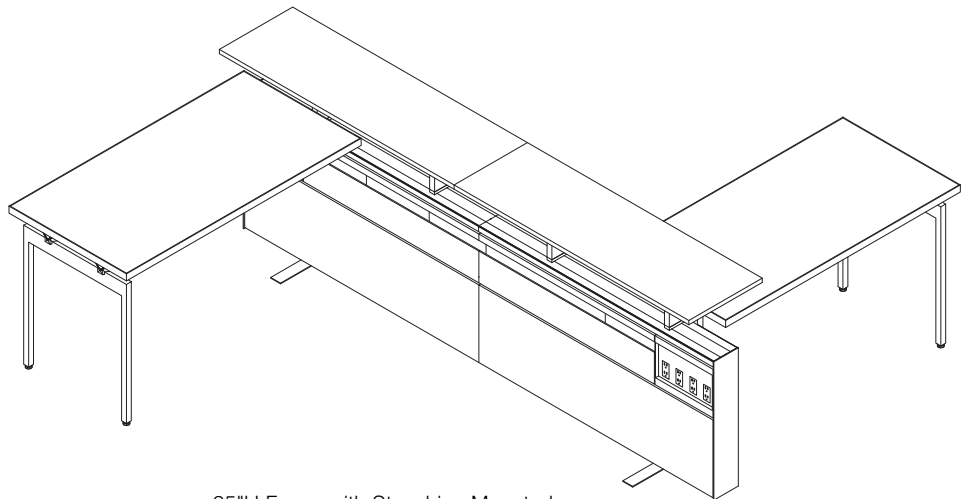
Specify stanchions separately.



25"H Fence with Stanchion Mounted Platform Elevation



28 1/2"H Fence with Stanchion Mounted Platform Elevation

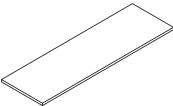


25"H Fence with Stanchion Mounted Platforms and Antenna Desks

Stanchion Mounted Platform

For Big Table and Fence

15" Deep

description	w	d	h	pattern no.	Laminate (L)	V1 (V)	V2 (V)	V3 (V)
Platform 	24"	15"	3/4"	YSUOP24()	\$182.	\$437.	\$503.	\$680.
	30"	15"	3/4"	YSUOP30()	198.	454.	522.	707.
	36"	15"	3/4"	YSUOP36()	222.	467.	537.	725.
	48"	15"	3/4"	YSUOP48()	274.	488.	562.	759.
	60"	15"	3/4"	YSUOP60()	312.	538.	617.	834.
	72"	15"	3/4"	YSUOP72()	328.	561.	647.	870.

Ordering Information

1. Pattern Number
2. Surface Finish

Order Code

Platform
Example: YSUOP48L, 118
YSUOP Platform
48 Width
L Laminate

Included With

Platform
 Hardware
 Specify stanchion brackets for attachment to big table and fence separately

Options

Platform
Surface Finish Options
 (L) = Laminate
 (V) = Veneer

Stanchion Supports

Planning Guidelines and Specifications

Supports for Stanchion Mounted Cabinets and Platforms

Storage support stanchions lift underside of platforms or stanchion mounted wood or metal storage cabinets to 34" above the floor. Top of open or enclosed storage cabinets on stanchions align with Antenna 49" horizon.

Supports are available in sets of two for platforms or storage units up to 60" wide. Specify set of three stanchions for cabinets wider than 60".

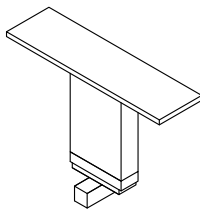
Select supports kit according to application on Big Table center beam, 25"H Fence, or 28"H Fence.

Construction

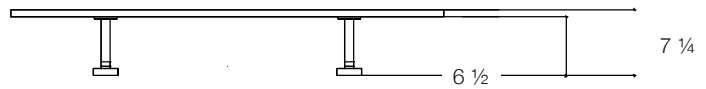
Stanchions are extruded aluminum, with cast adapters specific to center beam or Fence. Top plate connector to storage is steel.

Specification Options

Stanchions are available in any Knoll Core paint finish, Dark Red or Slate Blue.



Stanchion



Platforms up to 60" wide require 2 stanchions

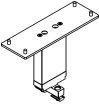
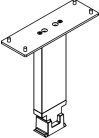
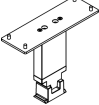


Platforms wider than 60" require 3 stanchions

Stanchion Planning Guidelines

Stanchion Supports

For Big Table and Fence

description	type	w	d	h	pattern no.	list
 Stanchions for Big Table	(2) stanchions for cabinets/platforms up to 60" wide	3"	1 1/4"	5"	YSUS2BT	\$130.
	(3) stanchions for cabinets/platforms wider than 60"	3"	1 1/4"	5"	YSUS3BT	198.
 Stanchions for 25" High Fence	(2) stanchions for cabinets/platforms up to 60" wide	3"	1 1/4"	8"	YSUS2F25	144.
	(3) stanchions for cabinets/platforms wider than 60"	3"	1 1/4"	8"	YSUS3F25	216.
 Stanchions for 28 1/2" High Fence	(2) stanchions for cabinets/platforms up to 60" wide	3"	1 1/4"	5"	YSUS2F28	130.
	(3) stanchions for cabinets/platforms wider than 60"	3"	1 1/4"	5"	YSUS3F28	198.

Ordering Information	Order Code	Included With	Options
Stanchions 1. Pattern Number 2. Paint Finish	Stanchions <i>Example:</i> YSUS2BT, 118T YSUS Stanchions 2 Quantity BT Big Table 118T Bright White Paint	Stanchions Hardware	Stanchions

Cantilever Shelves

Planning Guidelines and Specifications

Cantilever Shelves

Cantilever shelves provide additional level of work surface 6" above tops. Cantilever shelves are supported independently at any point on either side of Big Table center beam or clamp on to the back edge of Antenna desk tops. Cantilever shelves are available in 12"D x 12" or 24" wide laminate or veneer surface $\frac{3}{4}$ " thick. Maximum weight limit for a 12" x 12" shelf is 58 lbs and for a 12" x 24" shelf is 29 lbs.

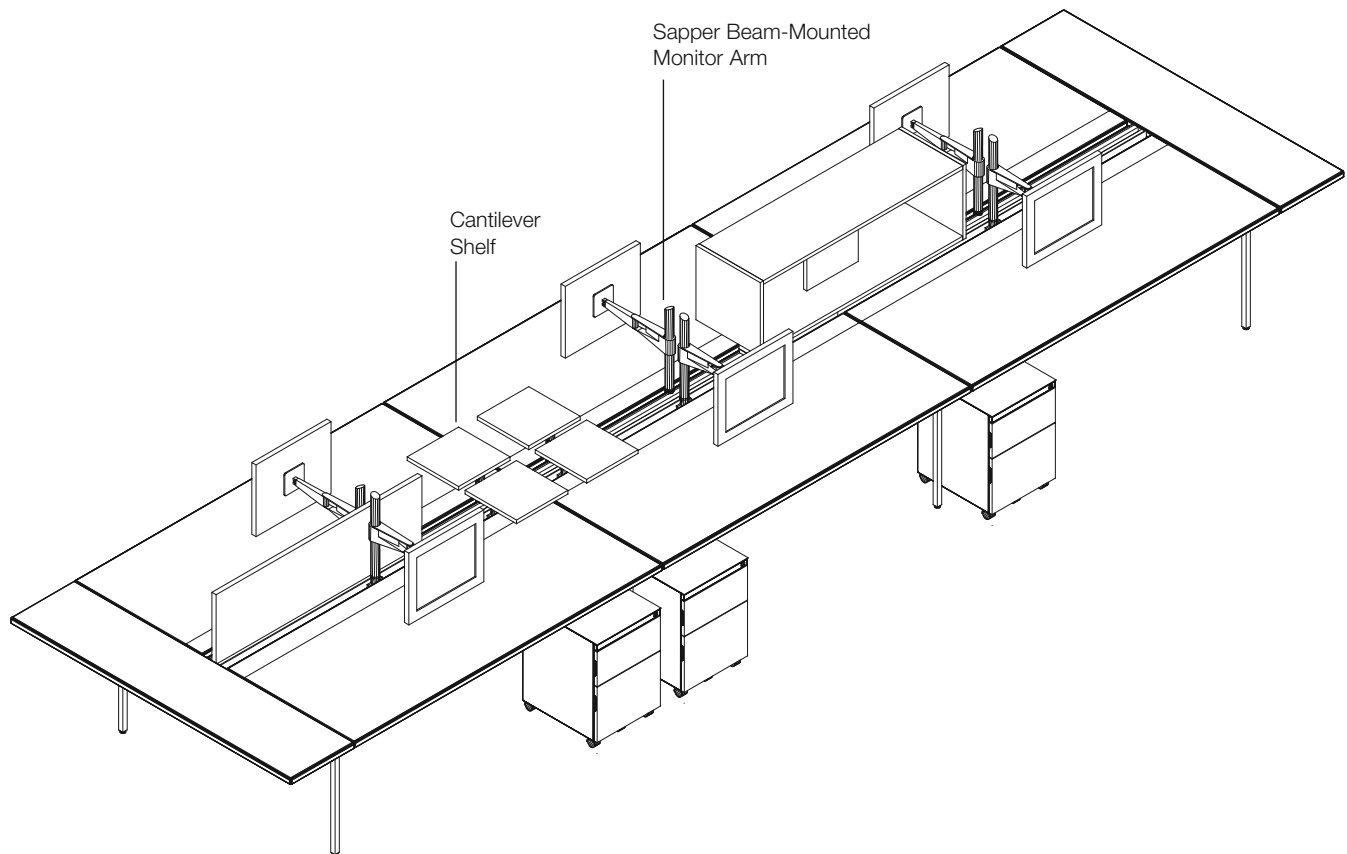
Construction

Cantilever shelves are solid MDF with veneer or laminate surface

Specification Options

Specify either a laminate (L) or veneer (V) surface. Surface finish is available in any Knoll Core laminate or veneer finish.

Cantilever support bracket is available in any Knoll Core paint finish, Dark Red or Slate Blue. Cantilever desk mounted clamp is Medium Grey.

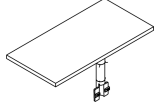


Big Table with Accessories

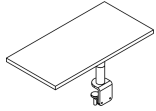
Cantilever Shelves

12" and 24" Wide

description	w	d	h	pattern no.	Laminate (L)	V1 (V)	V2 (V)	V3 (V)
Cantilever Shelf for Big Table, attaches to center beam	12"	12"	6"	YSCS1212()	\$328.	\$457.	\$521.	\$704.
	24"	12"	6"	YSCS2412()	352.	495.	613.	913.



Desk Mounted Cantilever Shelf, clamps to worksurface	12"	12"	6"	YSCSD1212()	426.	560.	623.	806.
	24"	12"	6"	YSCSD2412()	454.	599.	716.	1,014.



Ordering Information

Cantilever Shelf

1. Pattern Number
2. Shelf Finish
3. Support/Bracket Paint Finish

Order Code

Cantilever Shelf

Example: YSCS2412L, 118, 118T

YSCS	Cantilever Shelf
24	Width
12	Depth
L	Laminate
118	Bright White Laminate
118T	Bright White Paint

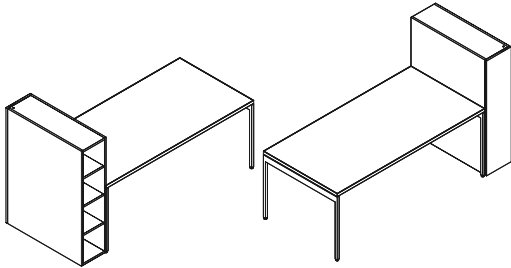
Included With

Cantilever Shelf
Support column
Hardware

Options

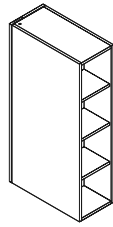
Cantilever Shelf
Finish Options:
(L) = Laminate
(V) = Veneer

Personal Desk-End Cabinets with Open Front and Hinged Door Back

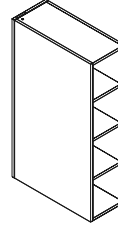


Desk with Personal Desk End Cabinet with Open Front and Hinged Door Back, Front

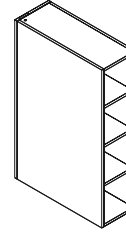
Desk with Personal Desk End Cabinet with Open Front and Hinged Door Back, Back



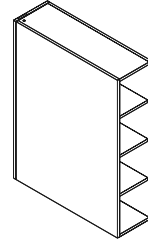
24" Deep



27" Deep

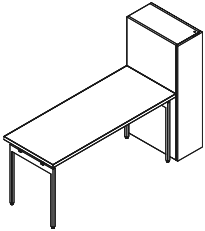


30" Deep

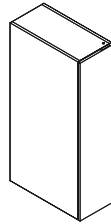


36" Deep

Personal Desk-End Cabinets with Hinged Door

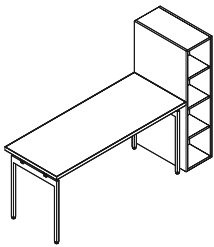


Desk with Personal Desk End Cabinet with Hinged Door

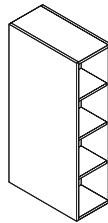


24" Deep

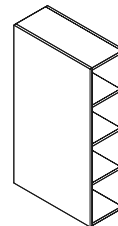
Shared Desk-End Cabinets with Open Front and Back



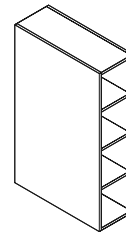
Desk with Shared Desk End Cabinet with Open Front and Back



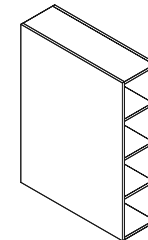
24" Deep



27" Deep

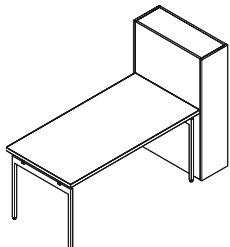


30" Deep

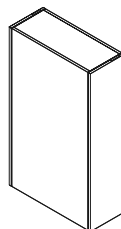


36" Deep

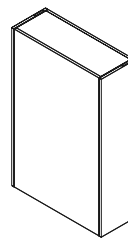
Shared Desk-End Cabinets with Hinged Door Front and Back



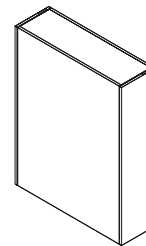
Desk with Shared Desk End Cabinet with Hinged Door Front and Back



27" Deep

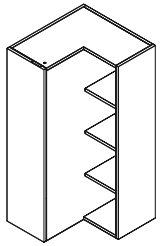


30" Deep

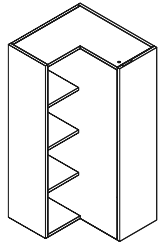


36" Deep

L Cabinets



Door on Left



Door on Right

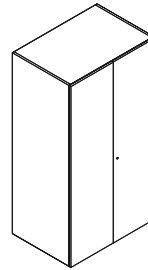
Wardrobe Cabinets



18" Wide
Hinged on Left

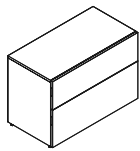


18" Wide
Hinged on Right

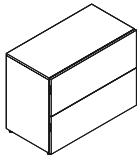


36" Wide
Double Doors

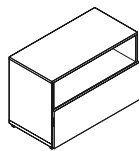
File Cabinets



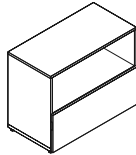
25" High



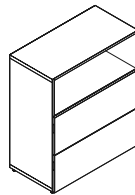
28" High



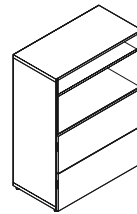
25" High



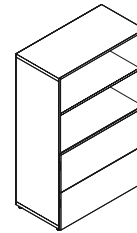
28" High



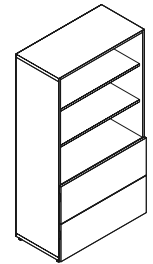
42" High



49" High

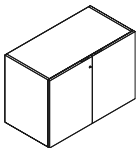


56" High

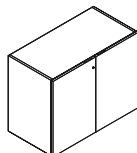


67" High

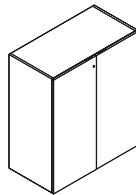
Enclosed Shelf Cabinets



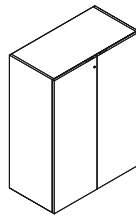
25" High



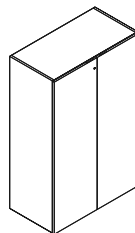
28" High



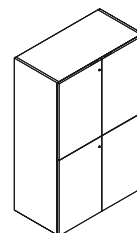
42" High



49" High

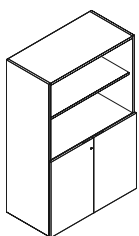


56" High

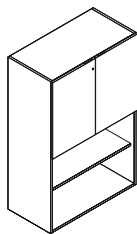


56" High

Partially Enclosed Shelf Cabinets

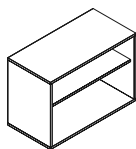


56" High

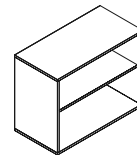


56" High

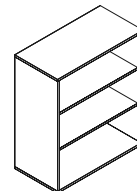
Open Shelf Cabinets



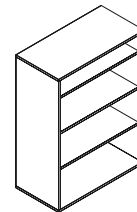
25" High



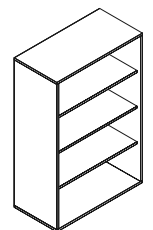
28" High



42" High



49" High



56" High

Personal Desk-End Cabinets

Desk-end cabinets are space-efficient storage designed to provide enclosure at the end of a desk. Personal desk-end cabinets include brackets to secure side of cabinet to adjacent desk for stability.

Personal desk-end cabinets are 49"H, 12"W, and available in 24", 27", 30" and 36" depths.

Personal desk-end cabinets 27"-36"D include a partition dividing the depth of the cabinet, with three adjustable 12 1/2"D shelves in front and a coat hook and door in back.

Personal desk-end cabinet 24"D includes a fixed, flush back, and three adjustable 12 1/2"D shelves and door in front. Space in front of shelves is suitable for coat storage, with coathook included.

Shared desk-end cabinets can be specified in any core laminate or veneer for case, shelves and door.

Enclosed desk-end cabinets can also be specified in laminate with contrasting laminate or veneer doors.

Construction

Desk-end cabinets are composed of 3/4" MDF panels joined in discreet, glue-and-dowel construction.

Doors open 135 degrees for easy access.

Desk-end cabinets include levelers with 1 1/2" travel.

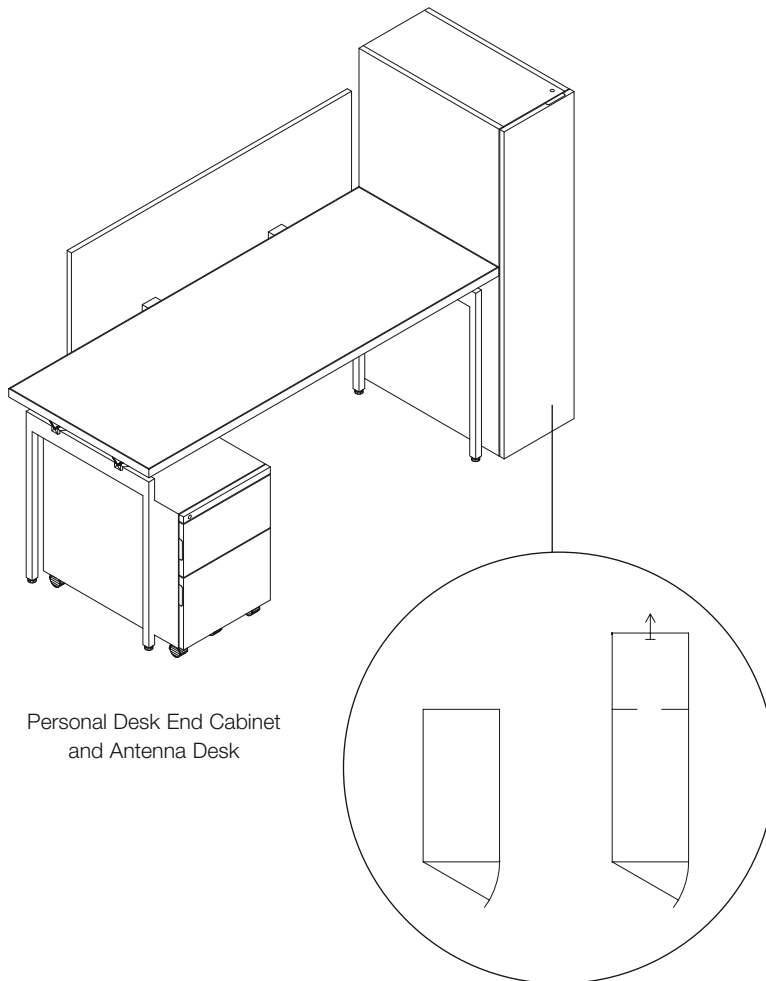
Specification Options

Specify laminate (L), "mixed" two-tone laminate or laminate case with veneer front (M) or veneer (V) case. Cabinets are available either locking (L) or non-locking (N).

Case finish exterior is available in any Knoll Core laminate or veneer. When case exterior is specified laminate, specify drawer front finish in any Knoll Core laminate (L) or veneer (V).

Specify pull type: Edge (E), Insert (I) or Loop (O). Edge pulls are available in any Knoll Core paint finish, Dark Red, Slate Blue or in Chrome (PD). Loop pulls are available in any Knoll Core paint finish, Dark Red or Slate Blue. Insert pulls are available in Chrome (PD).

Brackets may be specified in any Knoll Core paint finish, Dark Red or Slate Blue.



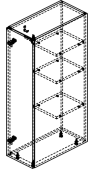
Personal Desk End Cabinet and Antenna Desk

Personal Desk End Cabinets

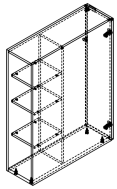
Floorstanding Personal Desk-End Cabinets

49" High, Hinged on Left

description	type	w	d	h	pattern no.	All Same	Laminate	Laminate	Laminate	All V1	All V2	All V3
						Laminate (L)	Case w/ V1 Fronts (M)	Case w/ V2 Fronts (M)	Case w/ V3 Fronts (M)			
Personal Desk-End Cabinets, with Hinged Door (Hinged on Left)	For 24" D Desks	12"	24 ⁷ / ₈ "	49"	YSFCDEL4924()L	\$2,839.	\$3,124.	\$3,266.	\$3,409.	\$4,915.	\$5,650.	\$7,347.



Personal Desk-End Cabinets, Open Front with Shelves and Hinged Door Back (Hinged on Left)	For 24" D Desks	12"	24 ⁷ / ₈ "	49"	YSFCDL4924()L	2,738.	3,014.	3,149.	3,288.	4,707.	5,413.	7,038.
	For 27" D Desks	12"	27 ⁷ / ₈ "	49"	YSFCDL4927()L	2,805.	3,085.	3,225.	3,365.	4,818.	5,543.	7,207.
	For 30" D Desks	12"	29 ⁷ / ₈ "	49"	YSFCDL4930()L	2,869.	3,157.	3,300.	3,443.	4,933.	5,675.	7,376.
	For 36" D Desks	12"	35 ⁷ / ₈ "	49"	YSFCDL4936()L	2,935.	3,227.	3,375.	3,521.	5,046.	5,803.	7,545.

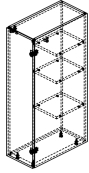


Ordering Information	Order Code	Included With	Options
Personal Desk-End Cabinets	Personal Desk-End Cabinets	Personal Desk-End Cabinets with Shelves and Door	Personal Desk-End Cabinets
1. Pattern Number	<i>Example:</i> YSFCDEL4924LL, 118, 118, E, 118T, 118T	Hardware	Case Finish Options:
2. Case/Shelves Finish	YSFCDE Personal Desk-End Cabinets	(3) Adjustable Shelves	(L) = All the same laminate for the exterior case/shelves and door front
3. Door Finish	L Left Hinged Door	Coat Hooks	(M) = Laminate exterior case/shelves and veneer door front
4. Pull Type	49 Height	Personal Desk-End Cabinets with Hinged Door	(V) = All the same veneer for the exterior case/shelves and door front
5. Pull Finish	24 Depth	Hardware	
6. Bracket Paint Finish	L Laminate	(3) Adjustable Shelves	Lock Options:
	L Lock	Coat Hook	To specify a personal desk-end cabinet without a lock, replace the "L" suffix in the pattern number with an "N".
	118 Bright White Laminate		Door Pull Options:
	118 Bright White Laminate		(E) = Edge Pull
	E Edge Pull		(I) = Insert Pull
	118T Bright White Paint		(O) = Loop Pull
	118T Bright White Paint		See planning guide page for door pull finish options.

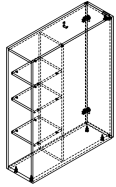
Floorstanding Personal Desk-End Cabinets

49" High, Hinged on Right

description	type	w	d	h	pattern no.	All Same	Laminate	Laminate	Laminate	All V1	All V2	All V3
						Laminate (L)	Case w/ V1 Fronts (M)	Case w/ V2 Fronts (M)	Case w/ V3 Fronts (M)			
Personal Desk-End Cabinets, with Hinged Door (Hinged on Right)	For 24"D Desks	12"	24 ⁷ / ₈ "	49"	YSFCDER4924()L	\$2,839.	\$3,124.	\$3,266.	\$3,409.	\$4,915.	\$5,650.	\$7,347.



Personal Desk-End Cabinets, Open Front with Shelves and Hinged Door Back (Hinged on Right)	For 24"D Desks	12"	24 ⁷ / ₈ "	49"	YSFCDR4924()L	2,738.	3,014.	3,149.	3,288.	4,707.	5,413.	7,038.
	For 27"D Desks	12"	27 ⁷ / ₈ "	49"	YSFCDR4927()L	2,805.	3,085.	3,225.	3,365.	4,818.	5,543.	7,207.
	For 30"D Desks	12"	29 ⁷ / ₈ "	49"	YSFCDR4930()L	2,869.	3,157.	3,300.	3,443.	4,933.	5,675.	7,376.
	For 36"D Desks	12"	35 ⁷ / ₈ "	49"	YSFCDR4936()L	2,935.	3,227.	3,375.	3,521.	5,046.	5,803.	7,545.



Ordering Information	Order Code	Included With	Options
Personal Desk-End Cabinets	Personal Desk-End Cabinets	Personal Desk-End Cabinets with Shelves and Door	Personal Desk-End Cabinets
1. Pattern Number	<i>Example:</i> YSFCDEL4924LL, 118, 118, E, 118T, 118T	Hardware	Case Finish Options:
2. Case/Shelves Finish	YSFCDE Personal Desk-End Cabinets	(3) Adjustable Shelves	(L) = All the same laminate for the exterior case/shelves and door front
3. Door Finish	L Left Hinged Door	Coat Hooks	(M) = Laminate exterior case/shelves and veneer door front
4. Pull Type	49 Height	Personal Desk-End Cabinets with Hinged Door	(V) = All the same veneer for the exterior case/shelves and door front
5. Pull Finish	24 Depth	Hardware	
6. Bracket Paint Finish	L Laminate	(3) Adjustable Shelves	Lock Options:
	L Lock	Coat Hook	To specify a personal desk-end cabinet without a lock, replace the "L" suffix in the pattern number with an "N".
	118 Bright White Laminate		Door Pull Options:
	118 Bright White Laminate		(E) = Edge Pull
	E Edge Pull		(I) = Insert Pull
	118T Bright White Paint		(O) = Loop Pull
	118T Bright White Paint		

See planning guide page for door pull finish options.

Shared Desk-End Cabinets

Desk-end cabinets are space-efficient storage designed to provide enclosure at the end of a desk. Shared desk-end cabinets include brackets to secure side of cabinet to adjacent desk for stability.

Shared desk-end cabinets include a center partition dividing the depth of the cabinet, with openings in the front and back.

Open shared end cabinet includes three adjustable shelves on each side of the partition.

Open shared desk-end cabinets are 49"H, 12"W, and available in 24", 27", 30" and 36" depths.

Enclosed shared desk-end cabinets provide shared coat storage, and include a hinged door and a coat hook on each side. Specify shelves for one or both sides separately.

Adjustable shelf sets are available in sets of three, corresponding to the depth of the cabinet.

Enclosed shared desk-end cabinets are 49"H, 12"W, and available in 27", 30" and 36" depths.

Shared desk-end cabinets can be specified in any core laminate or veneer for case, shelves and door.

Enclosed desk-end cabinets can also be specified in laminate with contrasting laminate or veneer doors.

Construction

Desk-end cabinets are composed of ¾" MDF panels joined in discreet, glue-and-dowel construction.

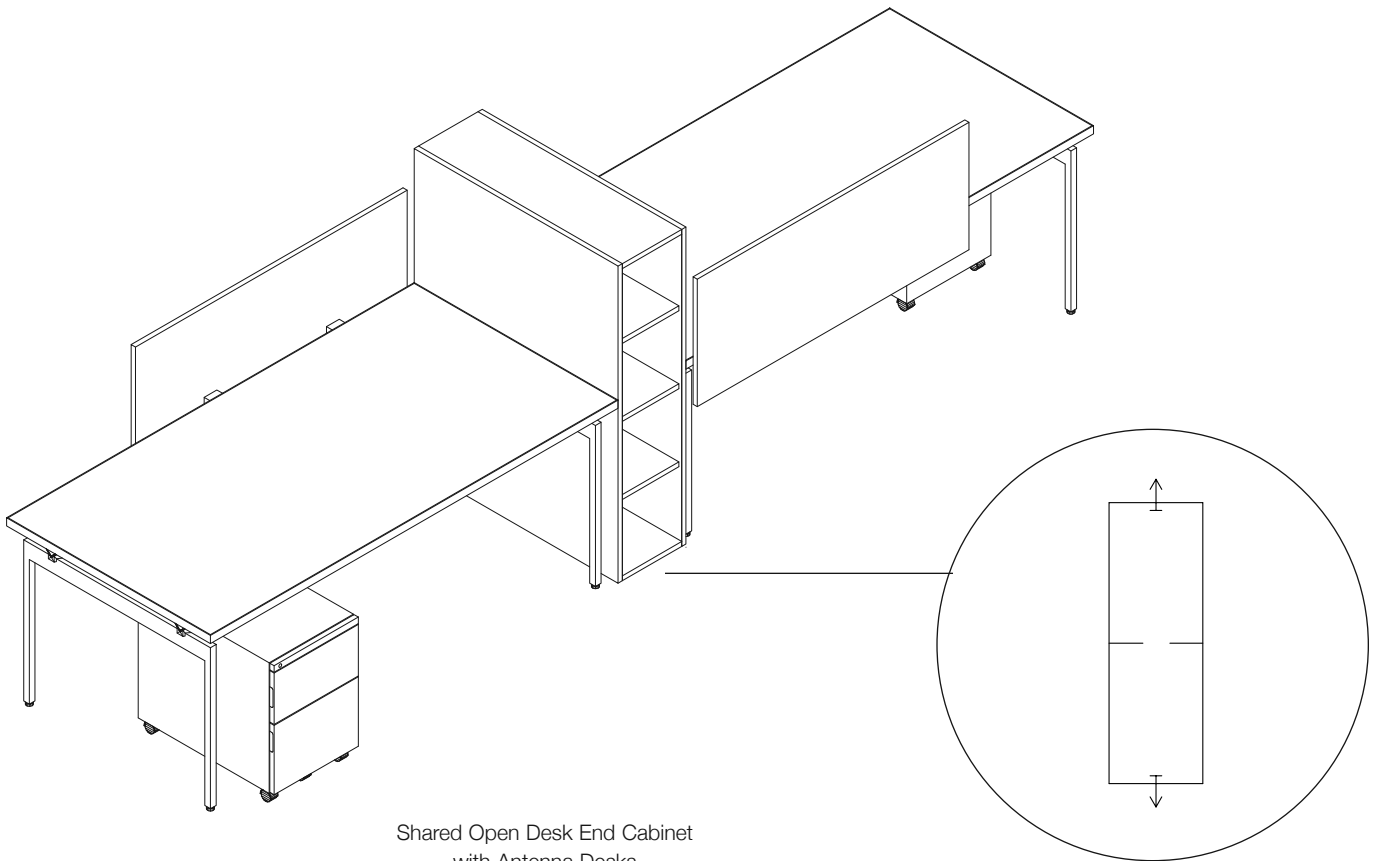
Specification Options

Specify laminate (L), "mixed" two-tone laminate or laminate case with veneer front (M) or veneer (V) case. Cabinets are available either locking (L) or non-locking (N).

Case finish exterior is available in any Knoll Core laminate or veneer. When case exterior is specified laminate, specify drawer front finish in any Knoll Core laminate (L) or veneer (V).

Specify pull type: Edge (E), Insert (I) or Loop (O). Edge pulls are available in any Knoll Core paint finish, Dark Red, Slate Blue or in Chrome (PD). Loop pulls are available in any Knoll Core paint finish, Dark Red or Slate Blue. Insert pulls are available in Chrome (PD).

Brackets may be specified in any Knoll Core paint finish, Dark Red or Slate Blue.



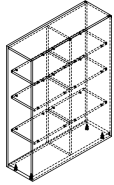
Shared Open Desk End Cabinet with Antenna Desks

Shared Desk End Cabinet

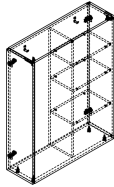
Floorstanding Shared Desk-End Cabinets

49" High

description	type	w	d	h	pattern no.	All Same	Laminate	Laminate	Laminate	All V1	All V2	All V3
						Laminate (L)	Case w/ V1 Fronts (M)	Case w/ V2 Fronts (M)	Case w/ V3 Fronts (M)			
Shared Desk-End Cabinets, Open Front and Back with Shelves	For 24"D Desks	12"	24"	49"	YSFCDO4924()	\$2,414.	n/a	n/a	n/a	\$3,969.	\$4,564.	\$5,934.
	For 27"D Desks	12"	27"	49"	YSFCDO4927()	2,477.	n/a	n/a	n/a	4,082.	4,695.	6,104.
	For 30"D Desks	12"	30"	49"	YSFCDO4930()	2,544.	n/a	n/a	n/a	4,197.	4,827.	6,274.
	For 36"D Desks	12"	36"	49"	YSFCDO4936()	2,608.	n/a	n/a	n/a	4,309.	4,957.	6,443.



Shared Desk-End Cabinets, Enclosed Hinged Door Front and Back	For 27"D Desks	12"	28 7/8"	49"	YSFCDE4927()L	2,822.	3,104.	3,246.	3,386.	4,656.	5,354.	6,962.
	For 30"D Desks	12"	31 7/8"	49"	YSFCDE4930()L	2,862.	3,147.	3,293.	3,435.	4,722.	5,429.	7,057.
	For 36"D Desks	12"	37 7/8"	49"	YSFCDE4936()L	2,960.	3,256.	3,403.	3,551.	4,882.	5,615.	7,301.



Ordering Information	Order Code	Included With	Options
Shared Desk-End Cabinets 1. Pattern Number 2. Case/Shelves Finish 3. Door Finish 4. Pull Type 5. Pull Finish 6. Bracket Paint Finish	Shared Desk-End Cabinets <i>Example:</i> YSFCDE4930LL, 118, 118, E, 118T, 118T YSFCDE Shared Desk-End Cabinets 49 Height 30 Depth L Laminate L Lock 118 Bright White Laminate 118 Bright White Laminate E Edge Pull 118T Bright White Paint 118T Bright White Paint	Shared Desk-End Cabinets, Open Front and Back Hardware (6) Adjustable Shelves Shared Desk-End Cabinets, Enclosed Hinged Door Front and Back Hardware (2) Coat Hooks Shelves for one or both sides are specified separately Shelves (3) Shelves Hardware	Shared Desk-End Cabinets Case/Shelf Finish Options: (L) = All the same laminate for the exterior case/shelves and door front (M) = Laminate exterior case/shelves and veneer door front (V) = All the same veneer for the exterior case/shelves and door front Lock Options: To specify a shared desk-end cabinet without a lock, replace the "L" suffix in the pattern number with an "N". Door Pull Options: (E) = Edge Pull (I) = Insert Pull (O) = Loop Pull

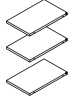
See planning guide page for door pull finish options.

Floorstanding Desk-End Cabinet Accessories

Adjustable Shelf Set and Coat Hook

Antenna Workspaces

description	type	w	d	h	pattern no.	list	All Same	Laminate	Laminate	Laminate	All V1	All V2	All V3
							Laminate	Case w/	Case w/	Case w/			
							(L)	V1 Fronts	V2 Fronts	V3 Fronts	(V)	(V)	(V)
Adjustable Shelf Set for	For 27" D Desks	10"	12 1/2"	3/4"	YSFCDASK27()	n/a	\$531.	n/a	n/a	n/a	\$1,034.	\$1,187.	\$1,545.
Shared Desk-End Cabinets,	For 30" D Desks	10"	13"	3/4"	YSFCDASK30()	n/a	537.	n/a	n/a	n/a	1,039.	1,196.	1,553.
Enclosed Hinged Door Front	For 36" D Desks	10"	16"	3/4"	YSFCDASK36()	n/a	548.	n/a	n/a	n/a	1,059.	1,217.	1,585.
and Back													



Coat hook					YSCH	26.	n/a	n/a	n/a	n/a	n/a	n/a	n/a
-----------	--	--	--	--	-------------	-----	-----	-----	-----	-----	-----	-----	-----



Ordering Information	Order Code	Included With	Options
Shelves	Shelves	Shelves	Shelves
1. Pattern Number	<i>Example:</i> YSFCDASK30L, 118	(3) Shelves	Coat Hook
2. Surface Finish	YSFCDA Shelves	Hardware	
Coat Hook	SK	Coat Hook	
1. Pattern Number	30 Depth	Hardware	
	L Laminate		
	118 Bright White Laminate		
	Coat Hook		
	<i>Example:</i> YSCH		
	YSCH Coat Hook		

Floorstanding L cabinets

L cabinets are unique L-shape storage designed to provide definition and privacy for the individual workspace. L cabinets are freestanding.

L cabinets are 49"H, 24"W x 24"D, overall with a 12" wide, 12"D surround for shelves opening to the inside of the L, and a 12"W, 24"D coat storage area with a coat bar and door.

L cabinets can be specified in any core laminate or veneer for case, shelves and door.

L cabinets can also be specified in laminate with contrasting laminate or veneer doors.

Cabinets with wardrobe and door hinge on left are considered left handed; those with wardrobe and door hinge on right are considered right handed.

Wardrobes

Wardrobes are available for personal coat storage within a workspace. Single door 18" wide wardrobes come with a coat hook and 36" wide double door units come with a coat rod. Wardrobes are 19" deep and 67" high. Wardrobes can be specified in any core laminate or veneer for case, shelves and door. Wardrobes can also be specified in laminate with contrasting laminate or veneer doors. 36" wide wardrobes open using a touch latch.

Construction

Floorstanding L cabinets and wardrobes cabinets are composed of ¾" MDF panels joined in discreet, glue-and-dowel construction.

Doors open 135 degrees for easy access.

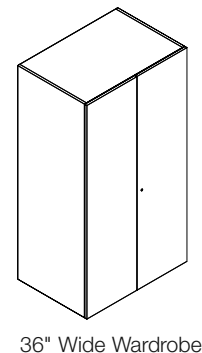
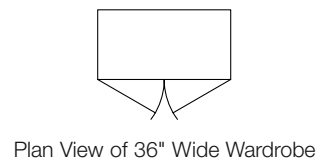
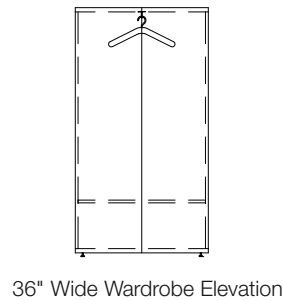
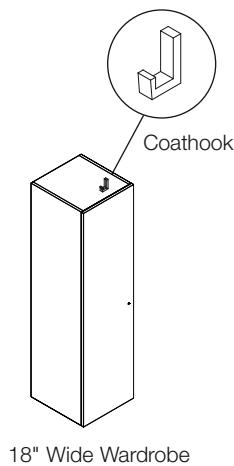
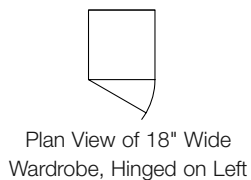
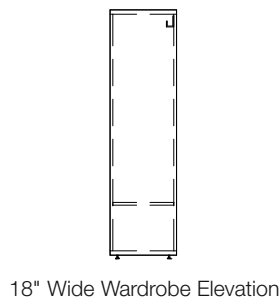
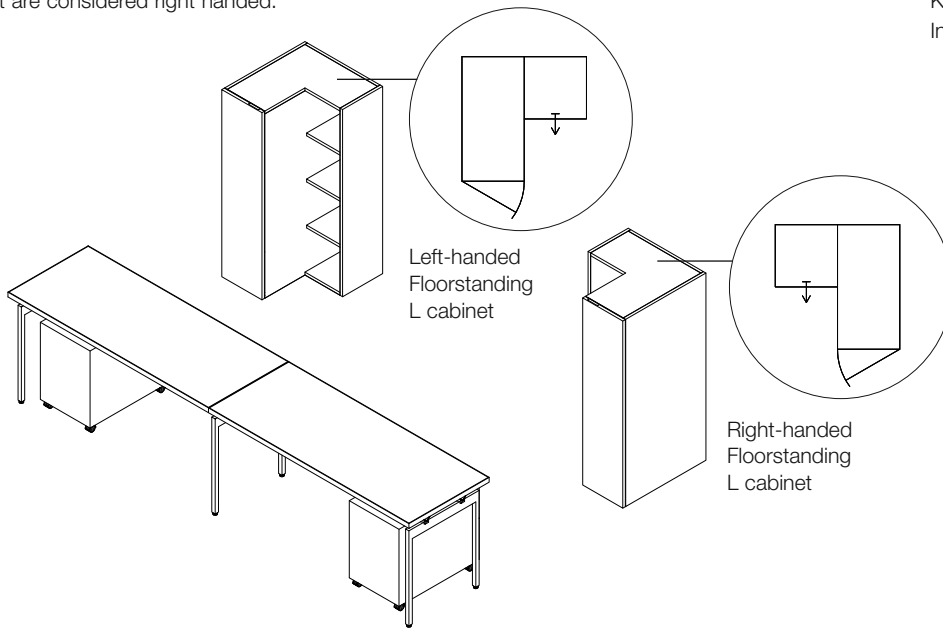
Cabinets include levelers with 1 ½" travel.

Specification Options

Specify laminate (L), "mixed" two-tone laminate or laminate case with veneer front (M) or veneer (V) case. Cabinets are available either locking (L) or non-locking (N).

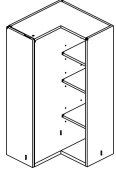
Case finish exterior is available in any Knoll Core laminate or veneer. When case exterior is specified laminate, specify drawer front finish in any Knoll Core laminate (L) or veneer (V).

Specify pull type: Edge (E), Insert (I) or Loop (O). Edge pulls are available in any Knoll Core paint finish, Dark Red, Slate Blue or in Chrome (PD). Loop pulls are available in any Knoll Core paint finish, Dark Red or Slate Blue. Insert pulls are available in Chrome (PD).



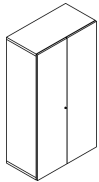
Floorstanding L and Wardrobe Cabinets 49" and 67" High

description	type	w	d	h	pattern no.	All Same	Laminate	Laminate	Laminate	All V1	All V2	All V3
						Laminate (L)	Case w/ V1 Fronts (M)	Case w/ V2 Fronts (M)	Case w/ V3 Fronts (M)			
L Cabinet	Door on Left	12"	23 ³ / ₄ "	49"	YSFCWL4924()L	\$3,588.	\$3,947.	\$4,127.	\$4,304.	\$6,358.	\$7,312.	\$9,506.
	Door on Right	12"	23 ³ / ₄ "	49"	YSFCWR4924()L	3,588.	3,947.	4,127.	4,304.	6,358.	7,312.	9,506.

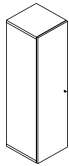


(Left Shown)

36" Wide Wardrobe	Double Doors	36"	18 ⁷ / ₈ "	67"	YSFCWD6736()L	3,260.	3,588.	3,749.	3,914.	5,444.	6,260.	8,138.
-------------------	--------------	-----	----------------------------------	-----	-----------------------	--------	--------	--------	--------	--------	--------	--------



18" Wide Wardrobe	Hinged on Left	18"	18 ⁷ / ₈ "	67"	YSFCWL6718()L	2,544.	2,798.	2,927.	3,053.	4,082.	4,695.	6,104.
	Hinged on Right	18"	18 ⁷ / ₈ "	67"	YSFCWR6718()L	2,544.	2,798.	2,927.	3,053.	4,082.	4,695.	6,104.



Ordering Information

L Cabinets

1. Pattern Number
2. Case/Shelves Finish
3. Door Finish
4. Pull Type
5. Pull Finish

Wardrobes

1. Pattern Number
2. Case Finish
3. Door Finish
4. Pull Type
5. Pull Finish

Order Code

L Cabinets

Example: YSFCWL4924LL, 118, 118, E, 118T

YSFCW	L Cabinets
L	Door on Left
49	Height
24	Depth
L	Laminate
L	Lock
118	Bright White Laminate
118	Bright White Laminate
E	Edge Pull
118T	Bright White Paint

Included With

L Cabinets

Coat bar

18" Wide Wardrobes

Coat Hook

36" Wide Wardrobes

Coat Rod

Options

L Cabinets and Wardrobes

Finish Options:

(L) = All the same laminate for the exterior case/shelves and door front
 (M) = Laminate exterior case/shelves and veneer door front
 (V) = All the same veneer for the exterior case/shelves and door front

Lock Options:

To specify an L cabinet without a lock, replace the "L" suffix in the pattern number with an "N".

Door Pull Options:

(E) = Edge Pull
 (I) = Insert Pull
 (O) = Loop Pull

See planning guide page for door pull finish options.

Floorstanding File Cabinets

Planning Guidelines and Specifications

File cabinets provide filing space for individual or group workspaces. Finished on all sides, file cabinets are freestanding and are applicable in private offices, as credenza storage or along a storage wall.

File cabinets are 36" wide, 19" deep and available in six horizons to align with other floorstanding cabinets and critical Antenna heights:

- 25"H cabinet, with 6"H shelf or personal drawer over one file, aligns with Antenna desk legs and can support one end of an Antenna desk.
- 28"H cabinet, with 12"H shelf or file drawer over one file drawer, aligns with Antenna desk height.
- 42"H cabinet, with 12"H shelf over two files, aligns with Antenna screens to 42"H horizon.
- 49"H cabinet, with 6" and 12"H shelves over two files, aligns with screens to 49"H horizon.

- 56"H cabinet, with two 12"H shelves over two files.
- 67"H cabinet, with one 11 1/2"H and two 12"H shelves, which can align with an open or enclosed cabinet, wall mounted 24" above desk height.

Desk support adapters must be specified separately for desk support applications. Counterweight/ballast kits should be specified for file cabinets in applications that are not connected to a desk or other storage cabinets.

The upper shelf in 49" and 56"H cabinets and the two upper shelves in 67"H cabinets can be adjusted in height. File drawers are sized for side-to-side, suspended letter-depth or legal-depth file folders.

Construction

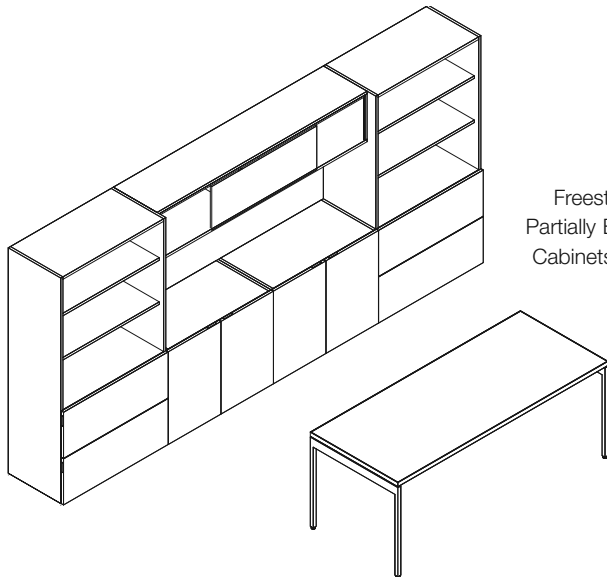
Floorstanding cabinets are composed of 3/4" MDF panels joined in discreet, glue-and-dowel construction, with a 1-1/4"H base for stability.

Floorstanding cabinets include levelers with 1-1/2" travel.

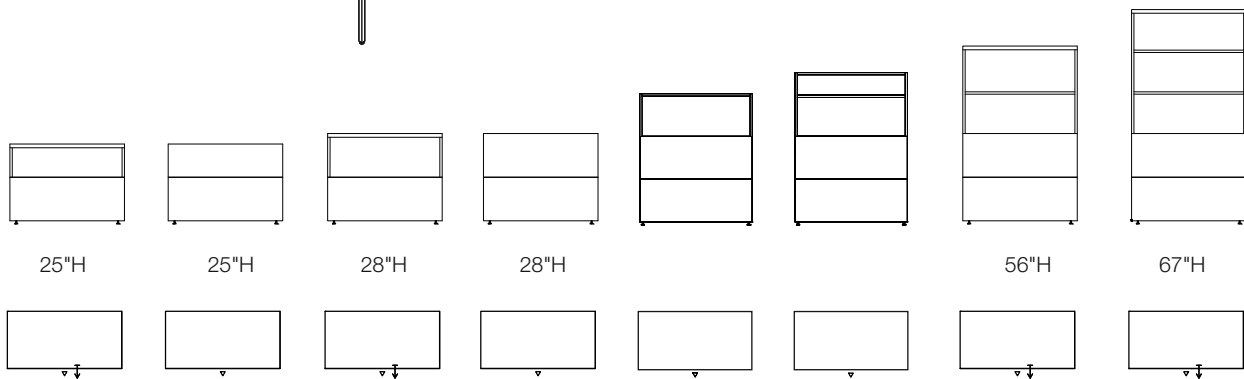
Drawer bodies are black painted steel construction, 33"W x 16"D, with full extension, ball bearing drawer slides. Each drawer also includes a side-to-side letter filing support, 33"W, and two front-to-back supports for letter or legal-width suspended filing.

Specification Options

Specify laminate (L), "mixed" twotone laminate or laminate case with veneer front (M) or veneer (V) case. File cabinets are always locking. Case finish exterior is available in any Knoll Core laminate or veneer. When case exterior is specified in laminate, specify drawer front finish in any Knoll Core laminate (L) or veneer (V). Specify pull type: Edge (E), Insert (I) or Loop (O). Edge pulls are available in any Knoll Core paint finish, Dark Red, Slate Blue or in Chrome (PD). Loop pulls are available in any Knoll Core paint finish, Dark Red or Slate Blue. Insert pulls are available in Chrome (PD).



Freestanding Private Office with Partially Enclosed Cabinets, Enclosed Cabinets and Wall Mounted Cabinet

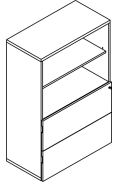


File Cabinet Heights

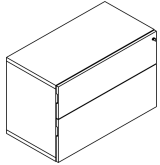
Floorstanding File Cabinets

25", 28", 42", 49", 56" and 67" High

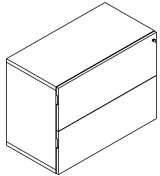
description	w	d	h	pattern no.	list	All Same	Laminate	Laminate	Laminate	All V1	All V2	All V3
						Laminate (L)	Case w/ V1 Fronts (M)	Case w/ V2 Fronts (M)	Case w/ V3 Fronts (M)			
Partially Enclosed Shelf Cabinets with Open Shelves Above and Drawers Below (56" high shown)	36"	18 ⁷ / ₈ "	42"	YSFCOFF4236()L	\$0.	\$3,588.	\$4,025.	\$4,127.	\$4,304.	\$5,440.	\$6,131.	\$7,967.
	36"	18 ⁷ / ₈ "	49"	YSFCOFF4936()L	0.	3,782.	4,243.	4,350.	4,538.	5,784.	6,522.	8,478.
	36"	18 ⁷ / ₈ "	56"	YSFCOFF5636()L	0.	3,978.	4,464.	4,576.	4,775.	6,131.	6,912.	8,988.
	36"	18 ⁷ / ₈ "	67"	YSFCOFF6736()L	0.	4,174.	4,683.	4,800.	5,008.	6,478.	7,304.	9,495.



Enclosed Box/File Cabinet	36"	18 ⁷ / ₈ "	25"	YSFCBF2536()L	0.	2,935.	3,293.	3,375.	3,521.	4,395.	4,957.	6,443.
---------------------------	-----	----------------------------------	-----	-----------------------	----	--------	--------	--------	--------	--------	--------	--------



Enclosed File/File Cabinet	36"	18 ⁷ / ₈ "	28"	YSFCFF2836()L	0.	2,998.	3,366.	3,450.	3,598.	4,512.	5,087.	6,613.
----------------------------	-----	----------------------------------	-----	-----------------------	----	--------	--------	--------	--------	--------	--------	--------



Ordering Information

Floorstanding File Cabinets

1. Pattern Number
2. Case Finish
3. Door Finish
4. Pull Type
5. Pull Finish

Order Code

Floorstanding File Cabinets

Example: YSFCFF2836LL, 118, 118, E, 118T

YSFCFF Enclosed File Cabinets

28 Height

36 Width

L Laminate

L Lock

118 Bright White Laminate

118 Bright White Laminate

E Edge Pull

118T Bright White Paint

Included With

Floorstanding File Cabinets

Levelling glides
File bars

Options

Floorstanding File Cabinets

Finish Options:

(L) = All the same laminate for the exterior case/shelves and door front
(M) = Laminate exterior case/shelves and veneer door front
(V) = All the same veneer for the exterior case/shelves and door front

Lock Options:

To specify an enclosed shelf cabinet without a lock, replace the "L" suffix in the pattern number with an "N".

Door Pull Options:

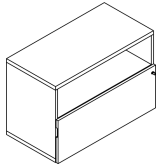
(E) = Edge Pull
(I) = Insert Pull
(O) = Loop Pull

See planning guide page for door pull finish options.

Floorstanding File Cabinets

25", 28", 42", 49", 56" and 67" High

description	w	d	h	pattern no.	list	All Same Laminate (L)	Laminate Case w/ V1 Fronts (M)	Laminate Case w/ V2 Fronts (M)	Laminate Case w/ V3 Fronts (M)	All V1 (V)	All V2 (V)	All V3 (V)
Partially Enclosed File Cabinet	36"	18 ⁷ / ₈ "	25"	YSFCOF2536()L	\$0.	\$2,738.	\$3,073.	\$3,149.	\$3,288.	\$4,049.	\$4,564.	\$5,934.
(25" high shown)	36"	18 ⁷ / ₈ "	28"	YSFCOF2836()L	0.	2,805.	3,148.	3,225.	3,365.	4,162.	4,695.	6,104.



File Cabinet				YSFWB36	458.	0.	0.	0.	0.	0.	0.	0.
Ballast/Counterweight												

Ordering Information	Order Code	Included With	Options
Floorstanding File Cabinets 1. Pattern Number 2. Case Finish 3. Door Finish 4. Pull Type 5. Pull Finish	Floorstanding File Cabinets <i>Example:</i> YSFCFF2836LL, 118, 118, E, 118T <hr/> YSFCFF Enclosed File Cabinets <hr/> 28 Height <hr/> 36 Width <hr/> L Laminate <hr/> L Lock <hr/> 118 Bright White Laminate <hr/> 118 Bright White Laminate <hr/> E Edge Pull <hr/> 118T Bright White Paint	Floorstanding File Cabinets Levelling glides File bars	Floorstanding File Cabinets Finish Options: (L) = All the same laminate for the exterior case/shelves and door front (M) = Laminate exterior case/shelves and veneer door front (V) = All the same veneer for the exterior case/shelves and door front Lock Options: To specify an enclosed shelf cabinet without a lock, replace the "L" suffix in the pattern number with an "N". Door Pull Options: (E) = Edge Pull (I) = Insert Pull (O) = Loop Pull See planning guide page for door pull finish options.

Enclosed Shelf Cabinets

Floorstanding shelf cabinets are designed to provide space definition and privacy for group workspaces. Shelf cabinets are finished on all sides.

Shelf cabinets are freestanding and applicable in private offices as credenza or storage wall.

Each shelf cabinet is 36" wide and 18" deep overall, and available in 25", 28", 42", 49" and 56" horizons.

All cabinets have two full-height doors. 56"H floorstanding cabinet units are also available with four doors, split at the center to align with adjacent 28"H cabinets or desk height.

25" and 28" high cabinets are also available with a partially open back for wire management access through the back of the cabinet.

A 6" opening starts 12" above the ground providing access above and below the shelf.

Construction

Floorstanding cabinets are composed of ¾" MDF panels joined in discreet, glue-and-dowel construction, with a 1 ¼"H base for stability.

Hinged doors open 135 degrees for easy access.

Floorstanding cabinets include levelers with 1 ½" travel.

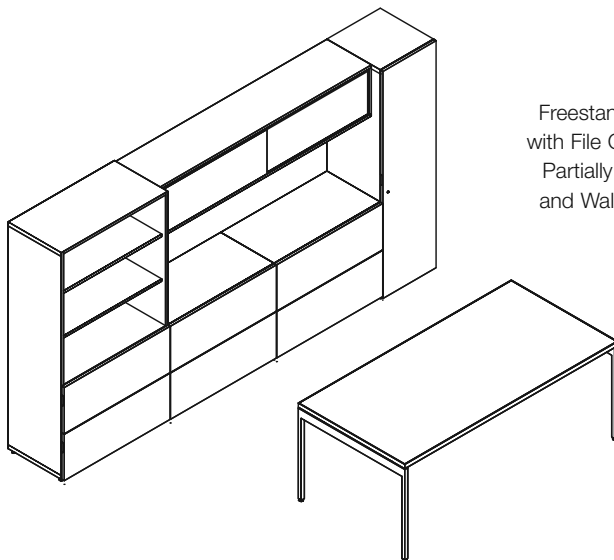
Specification Options

Shelf cabinets can be specified in any core laminate or veneer for case, shelves and doors. Shelf cabinets can also be specified in laminate with contrasting laminate or veneer doors.

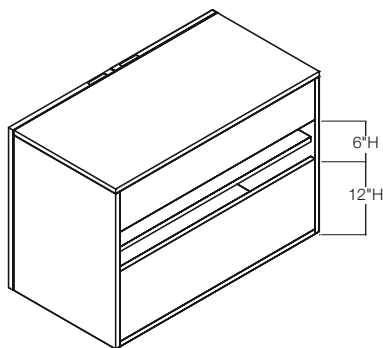
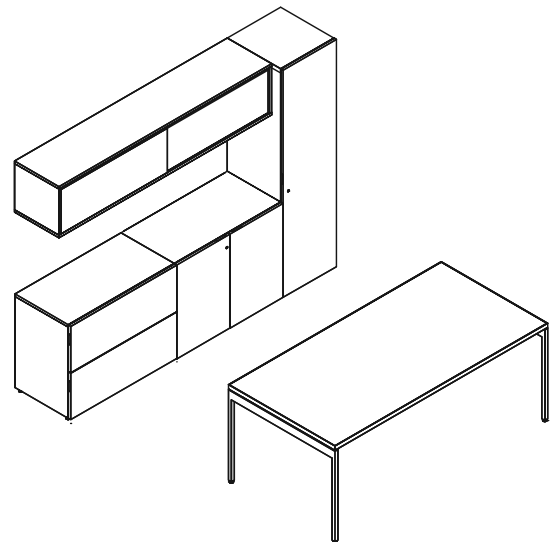
Specify laminate (L), "mixed" two-tone laminate or laminate case with veneer front (M) or veneer (V) case. Cabinets are available either locking (L) or non-locking (N).

Case finish exterior is available in any Knoll Core laminate or veneer. When case exterior is specified laminate, specify drawer front finish in any Knoll Core laminate (L) or veneer (V).

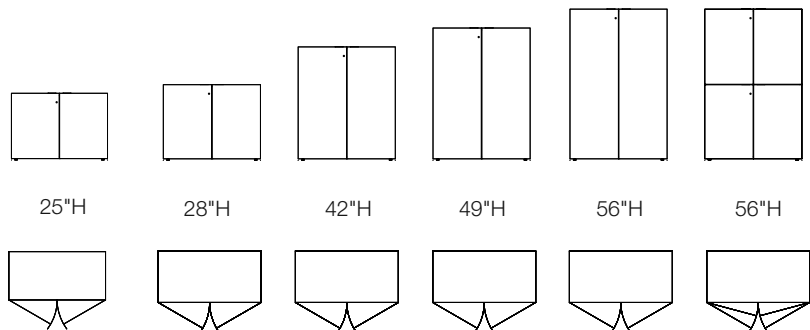
Specify pull type: Edge (E), Insert (I) or Loop (O). Edge pulls are available in any Knoll Core paint finish, Dark Red, Slate Blue or in Chrome (PD). Loop pulls are available in any Knoll Core paint finish, Dark Red or Slate Blue. Insert pulls are available in Chrome (PD).



Freestanding Private Office with File Cabinets, Wardrobe, Partially Enclosed Cabinet and Wall Mounted Cabinet



25" High Enclosed Shelf Cabinet with Hinged Doors, Partially Open Back



Enclosed Shelf and File Cabinet Heights

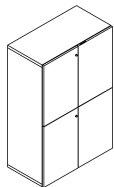
Floorstanding Enclosed Shelf Cabinets

25", 28", 42", 49" and 56" High

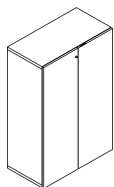
Antenna Workspaces

description	w	d	h	pattern no.	list	All Same	Laminate	Laminate	Laminate	All V1	All V2	All V3
						Laminate (L)	Case w/ V1 Fronts (M)	Case w/ V2 Fronts (M)	Case w/ V3 Fronts (M)			

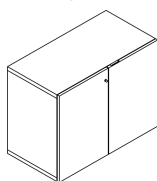
Enclosed Shelf Cabinet with Four Doors	36"	18 ⁷ / ₈ "	56"	YSFC4D5636()L	n/a	\$3,914.	\$4,390.	\$4,502.	\$4,695.	\$7,055.	\$7,956.	\$10,342.
--	-----	----------------------------------	-----	-----------------------	-----	----------	----------	----------	----------	----------	----------	-----------



Enclosed Shelf Cabinets with Two Doors	36"	18 ⁷ / ₈ "	25"	YSFC2D2536()L	n/a	2,347.	2,582.	2,699.	2,816.	4,197.	4,827.	6,274.
(56" high shown)	36"	18 ⁷ / ₈ "	28"	YSFC2D2836()L	n/a	2,414.	2,654.	2,776.	2,894.	4,309.	4,957.	6,443.
	36"	18 ⁷ / ₈ "	42"	YSFC2D4236()L	n/a	2,738.	3,014.	3,149.	3,288.	4,990.	5,740.	7,461.
	36"	18 ⁷ / ₈ "	49"	YSFC2D4936()L	n/a	3,196.	3,515.	3,676.	3,832.	5,784.	6,654.	8,648.
	36"	18 ⁷ / ₈ "	56"	YSFC2D5636()L	n/a	3,521.	3,872.	4,051.	4,228.	6,351.	7,304.	9,495.



Enclosed Shelf Cabinets with Two Doors and Partially Open Back	36"	18 ⁷ / ₈ "	25"	YSFC2D02536()	n/a	2,347.	2,582.	2,699.	2,816.	4,197.	4,827.	6,274.
(28" high shown)	36"	18 ⁷ / ₈ "	28"	YSFC2D02836()	n/a	2,414.	2,654.	2,776.	2,894.	4,309.	4,957.	6,443.



Ordering Information	Order Code	Included With	Options
Enclosed Shelf Cabinets	Enclosed Shelf Cabinets	Enclosed Shelf Cabinets	Enclosed Shelf Cabinets
1. Pattern Number	<i>Example:</i> YSFC2D4936LL, 118,	Shelves	Finish Options:
2. Case/Shelves Finish	118, 118, E, 118T	Levelling glides	(L) = All the same laminate for the exterior case/shelves and door front
3. Door Finish	YSFC Enclosed Shelf Cabinets		(M) = Laminate exterior case/shelves and veneer door front
4. Pull Type	2D Two Doors		(V) = All the same veneer for the exterior case/shelves and door front
5. Pull Finish	49 Height		Lock Options:
	36 Width		To specify an enclosed shelf cabinet without a lock, replace the "L" suffix in the pattern number with an "N".
	L Laminate		Door Pull Options:
	L Lock		(E) = Edge Pull
	118 Bright White Laminate		(I) = Insert Pull
	118 Bright White Laminate		(O) = Loop Pull
	E Edge Pull		
	118T Bright White Paint		See planning guide page for door pull finish options.

Partially Enclosed Cabinets

Partially enclosed cabinets are designed for storage and space definition in open plan workspaces, and can also serve as credenza or work wall in private offices and conference rooms. Partially enclosed cabinets combine partial and full 12 3/8"H binder height shelf storage with files or shelves with doors. Floorstanding cabinets are freestanding and finished on all sides.

Partially enclosed cabinets with doors are 36" wide, 19" deep and 56" high. Doors may be specified to cover the top half of the cabinet, with two open fixed binder height shelves below, or cover the bottom half of the cabinet with two fixed height open shelves above.

The upper shelf in 49"H and 56"H cabinets and the two upper shelves in 67"H cabinet can be adjusted in height.

Construction

Floorstanding cabinets are composed of 3/4" MDF panels joined in discreet, glue-and-dowel construction, with a 1 1/4"H base for stability. Floorstanding cabinets with file drawers are equipped with an interlock for stability. Hinged doors open 135 degrees for easy access. Floorstanding cabinets include levelers with 1 1/2" travel.

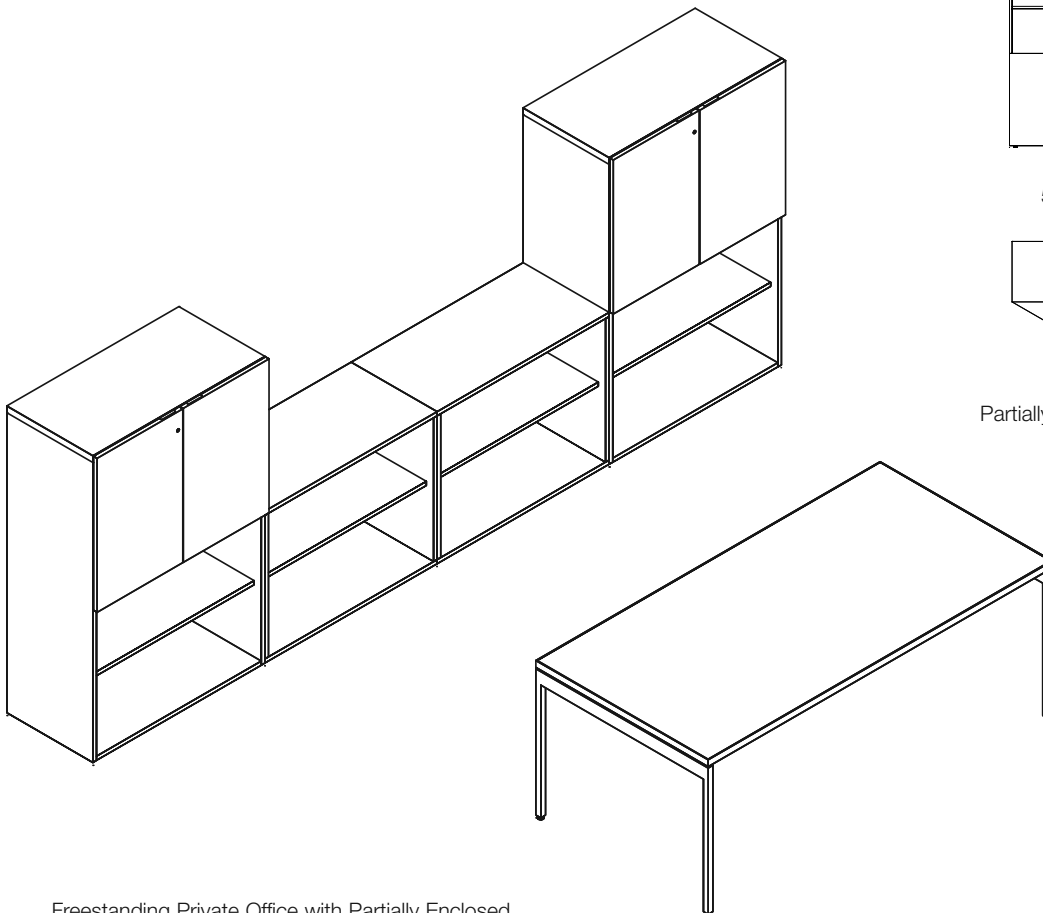
Specification Options

Specify laminate (L), "mixed" two-tone laminate or laminate case with veneer front (M) or veneer (V) case. Cabinets are available either locking (L) or non-locking (N).

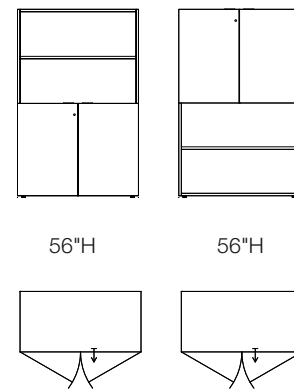
Case finish exterior is available in any Knoll Core laminate or veneer. When case exterior is specified laminate, specify drawer front finish

in any Knoll Core laminate (L) or veneer (V).

Specify pull type: Edge (E), Insert (I) or Loop (O). Edge pulls are available in any Knoll Core paint finish, Dark Red, Slate Blue or in Chrome (PD). Loop pulls are available in any Knoll Core paint finish, Dark Red or Slate Blue. Insert pulls are available in Chrome (PD).



Freestanding Private Office with Partially Enclosed Shelf Cabinets and Open Shelf Cabinets



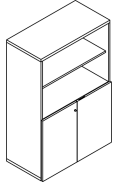
Partially Enclosed Shelf Cabinet Heights

Floorstanding Partially Enclosed Shelf Cabinets

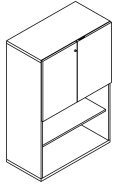
42", 49", 56" and 67" High

Antenna Workspaces

description	w	d	h	pattern no.	All Same	Laminate	Laminate	Laminate	All V1	All V2	All V3
					Laminate	Case w/	Case w/	Case w/			
					(L)	V1 Fronts	V2 Fronts	V3 Fronts	(V)	(V)	(V)
Partially Enclosed Shelf Cabinet with Open Shelves Above and Enclosed Shelves Below	36"	18 ⁷ / ₈ "	56"	YSFC02D5636()L	\$3,389.	\$3,729.	\$3,900.	\$4,070.	\$5,985.	\$6,886.	\$8,950.



Partially Enclosed Shelf Cabinet with Enclosed Shelves Above and Open Shelves Below	36"	18 ⁷ / ₈ "	56"	YSFC2D05636()L	3,389.	3,729.	3,900.	4,070.	5,985.	6,886.	8,950.
---	-----	----------------------------------	-----	------------------------	--------	--------	--------	--------	--------	--------	--------



Ordering Information	Order Code	Included With	Options
Partially Enclosed Shelf Cabinets	Partially Enclosed Shelf Cabinets	Partially Enclosed Shelf Cabinets	Partially Enclosed Shelf Cabinets
1. Pattern Number	<i>Example:</i> YSFC2D4936LL, 118,	Shelves	Finish Options:
2. Case/Shelves Finish	118, 118, E, 118T	Levelling glides	(L) = All the same laminate for the exterior case/shelves and door fronts
3. Door Finish	YSFC Enclosed Shelf Cabinets	Partially Enclosed Shelf Cabinet with Drawers	(M) = Laminate exterior case/shelves and veneer door fronts
4. Pull Type	2D Two Doors	Levelling glides	(V) = All the same veneer for the exterior case/shelves and door fronts
5. Pull Finish	49 Height	Filing bars	Lock Options:
	36 Width		To specify a partially enclosed shelf cabinet without a lock, replace the "L" suffix in the pattern number with an "N".
	L Laminate		Door Pull Options:
	L Lock		(E) = Edge Pull
	118 Bright White Laminate		(I) = Insert Pull
	118 Bright White Laminate		(O) = Loop Pull
	E Edge Pull		See planning guide page for door pull finish options.
	118T Bright White Paint		

Floorstanding Open Shelf Cabinets

Planning Guidelines and Specifications

Open Shelf Cabinets

Floorstanding shelf cabinets are designed to provide space definition and privacy for group workspaces. Shelf cabinets are finished on all sides.

Shelf cabinets are freestanding and applicable in private offices as credenza or storage wall.

Each shelf cabinet is 36" wide and 18" deep overall, and available in 25", 28", 42", 49" and 56" horizons.

25" and 28" high cabinets are also available with a partially open back for wire management access through the back of the cabinet.

A 6" opening starts 12" above the ground providing access above and below the shelf.

Open shelf cabinets have fixed height shelves.

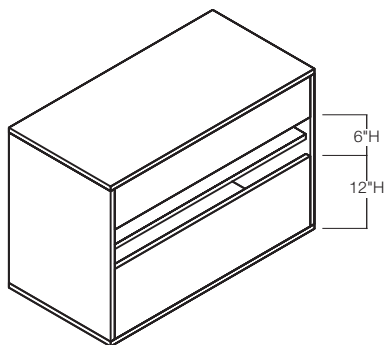
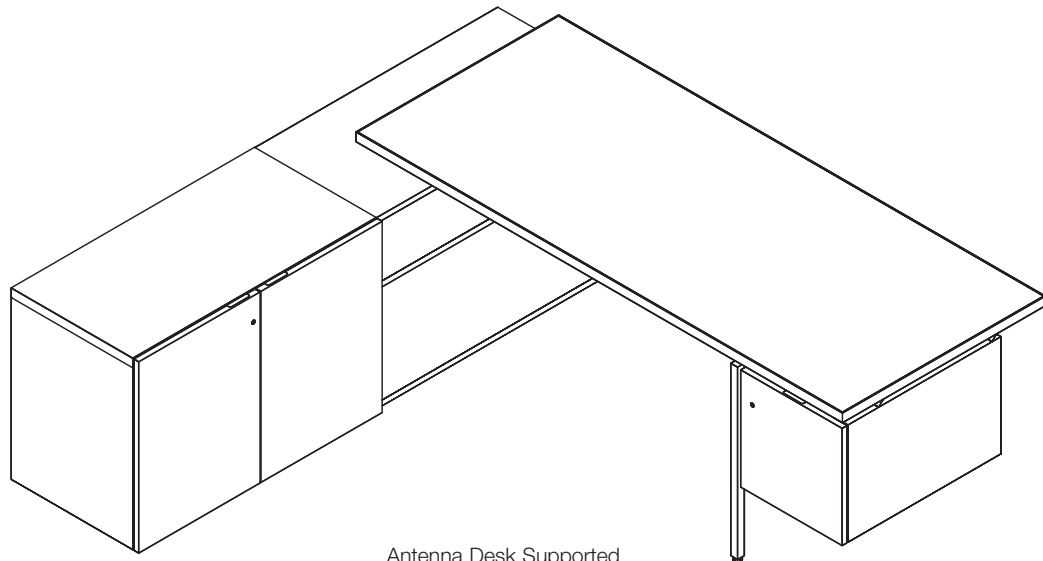
Construction

Floorstanding cabinets are composed of ¾" MDF panels joined in discreet, glue-and-dowel construction, with a 1 ¼"H base for stability.

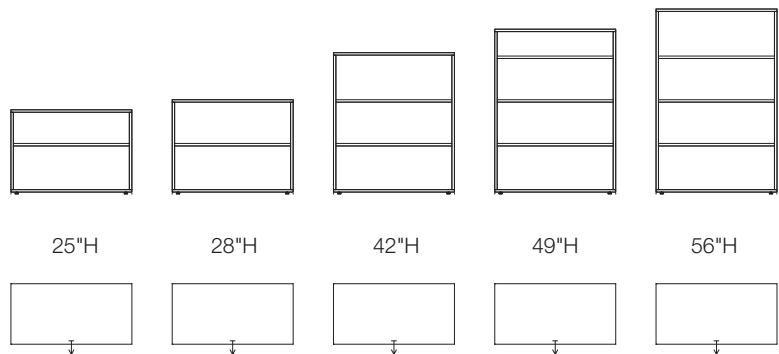
Floorstanding cabinets include levelers with 1 ½" travel.

Specification Options

Specify laminate (L) or veneer (V) case. Case finish is available in any Knoll Core laminate or veneer. When a laminate case is specified, shelves may be specified in any Knoll Core laminate (L) or veneer (V).



25" High Open Shelf Cabinet, Partially Open Back

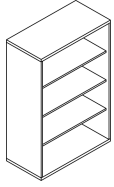


Open Shelf Cabinet Configurations

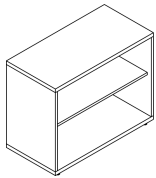
Floorstanding Open Shelf Cabinets

25", 28", 42", 49" and 56" High

description	w	d	h	pattern no.	Laminate (L)	V1 (V)	V2 (V)	V3 (V)
Open Shelf Cabinets (56" high shown)	36"	18"	25"	YSFCOS2536()	\$1,825.	\$3,130.	\$3,598.	\$4,683.
	36"	18"	28"	YSFCOS2836()	1,893.	3,260.	3,749.	4,879.
	36"	18"	42"	YSFCOS4236()	2,218.	3,782.	4,402.	5,652.
	36"	18"	49"	YSFCOS4936()	2,347.	4,174.	4,800.	6,241.
	36"	18"	56"	YSFCOS5636()	2,477.	4,434.	5,098.	6,632.



Open Shelf Cabinets with Partially Open Back (28" high shown)	36"	18"	25"	YSFCOSO2536()	1,825.	3,130.	3,598.	4,683.
	36"	18"	28"	YSFCOSO2836()	1,893.	3,260.	3,749.	4,879.



Ordering Information

Open Shelf Cabinets

1. Pattern Number
2. Case Finish
3. Shelf Finish (Laminate Only)

Order Code

Open Shelf Cabinets

Example: YSFCOS4936L, 118, 118

YSFCOS	Open Shelf Cabinets
49	Height
36	Width
L	Laminate
118	Bright White Laminate
118	Bright White Laminate

Included With

Open Shelf Cabinets
Fixed height shelves
Levelling glides

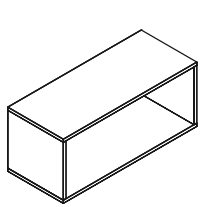
Options

Open Shelf Cabinets

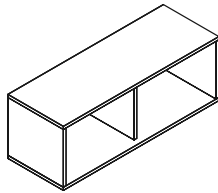
Finish Options:
(L) = Laminate
(V) = Veneer

Wood Cabinets

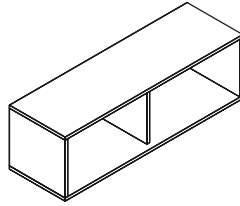
Open Shelf Cabinets



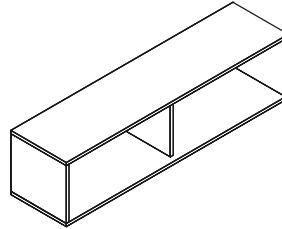
36" Wide



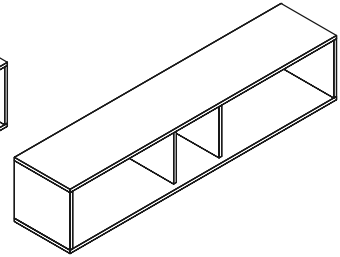
42" Wide



48" Wide

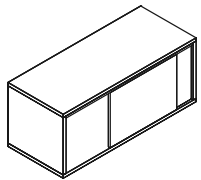


60" Wide

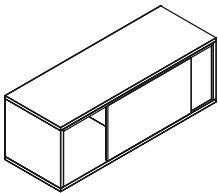


72" Wide

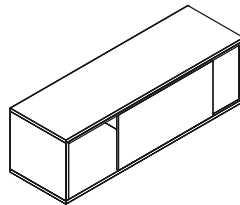
Sliding Door Cabinets



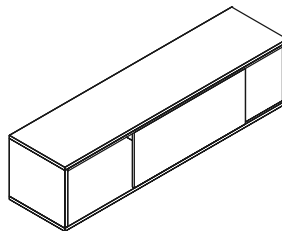
36" Wide



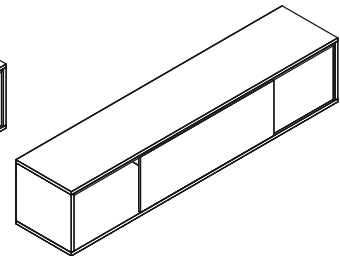
42" Wide



48" Wide



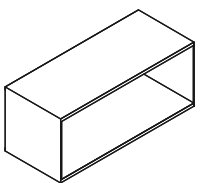
60" Wide



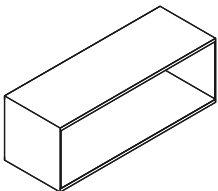
72" Wide

Metal Cabinets

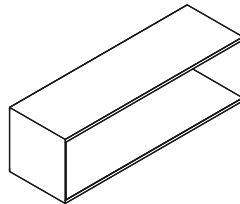
Open Front and Enclosed Back Cabinets



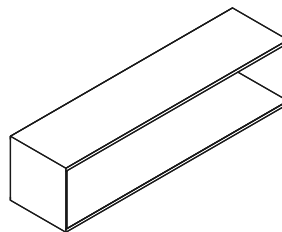
36" Wide



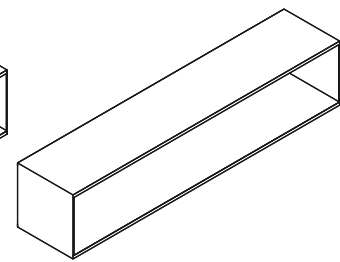
42" Wide



48" Wide

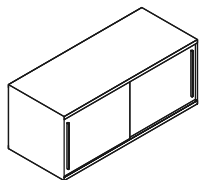


60" Wide

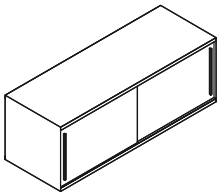


72" Wide

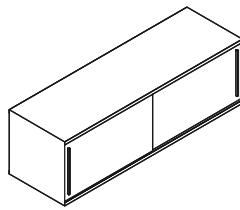
Sliding Door Cabinets



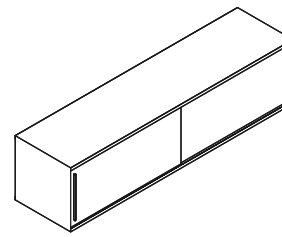
36" Wide



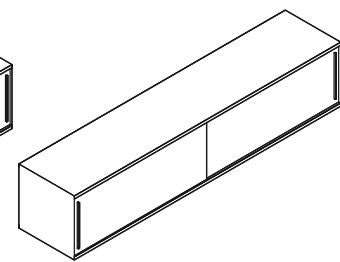
42" Wide



48" Wide



60" Wide



72" Wide

Wall Mounted Wood Cabinets

Open and Sliding Doors

Planning Guidelines and Specifications

Wall Mounted Wood Cabinets

Wall mounted wood cabinets provide binder storage within private offices or walled, group workspaces. Cabinets are available in two configurations: open front with enclosed back, or fully enclosed, with overlapping sliding doors.

Cabinets mount on slim profile aluminum cleat, included.

Open and enclosed cabinets are available in 36", 42", 48", 60" and 72" widths, with a center partition for structure. Enclosed cabinets have two half-width doors, in laminate or veneer surface.

All wall mounted cabinets are 15"H x 15"D, with 13 1/2" clear interior height for binder storage. Cabinets can be specified in laminate or veneer. Open cabinets can also be specified in a combination of core laminates for the case and contrasting core or "pop" color laminates for all interior surfaces.

Construction

Case is composed of 3/4" thick wood panels, with discreet glue-and-dowel connections.

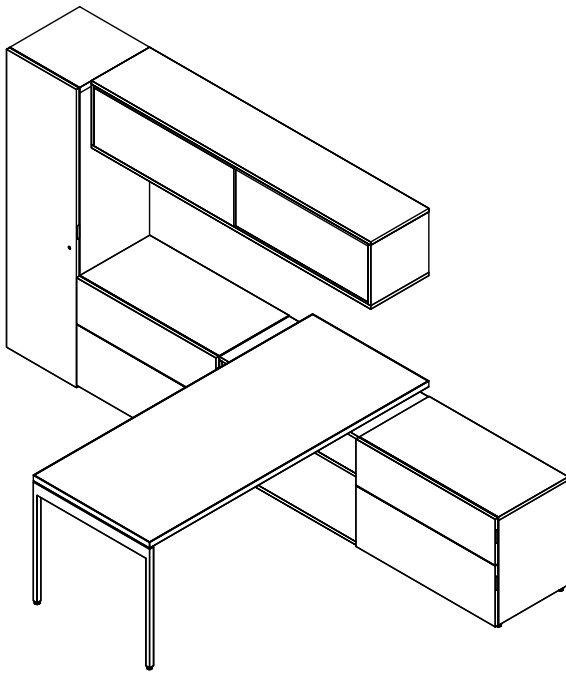
Specification Options

Specify laminate (L) or veneer (V) case.

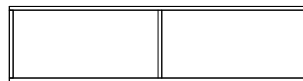
Case finish exterior is available in any Knoll Core laminate, patterned or woodgrain laminate up to 60"W, or veneer. When the case exterior is laminate, case interior is available in any Knoll Core or Accent laminate. When an Accent laminate is specified, the edgeband will match the exterior core laminate finish.

Door sets are specified separately to enable any combination of wood or laminate case and doors. Specify drawer front sets in any Knoll Core laminate (L) or veneer (V).

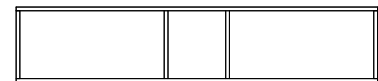
Pulls are available in any Knoll Core paint finish, Dark Red or Slate Blue.



Private Office Application with Wall Mounted Cabinet, Wardrobe and File Cabinets



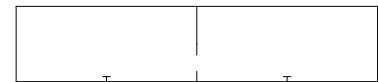
60"W Open Cabinet Elevation



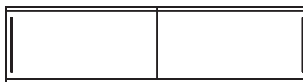
72"W Open Cabinet Elevation



60"W Open Cabinet Plan



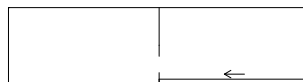
72"W Open Cabinet Plan



60"W Sliding Door Cabinet Elevation



72"W Sliding Door Cabinet Elevation



60"W Sliding Door Cabinet Plan



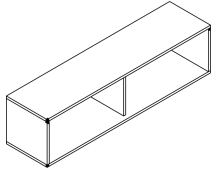
72"W Sliding Door Cabinet Plan

Wall Mounted Wood Cabinets

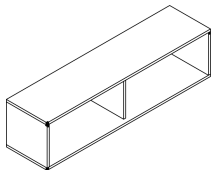
Laminate or Veneer Case

36", 42", 48", 60" or 72" Wide

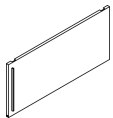
description	w	d	h	pattern no.	All Same Laminate (L)	Different Laminate Case/ Interior (Core Lam.) (L)	Different Laminate Case/ Interior (Accent Lam.) (L)	V1	V2	V3
Wall Mounted Wood Cabinets, Open Front and Enclosed Back	36"	15 1/2"	15"	YSWMO3615()	\$1,585.	\$1,742.	\$2,312.	\$2,312.	\$2,658.	\$3,323.
	42"	15 1/2"	15"	YSWMO4215()	1,645.	1,813.	2,422.	2,422.	2,787.	3,482.
	48"	15 1/2"	15"	YSWMO4815()	1,711.	1,880.	2,533.	2,533.	2,913.	3,641.
	60"	15 1/2"	15"	YSWMO6015()	1,825.	2,007.	2,608.	2,608.	2,998.	3,900.
	72"	15 1/2"	15"	YSWMO7215()	1,956.	2,153.	2,935.	2,935.	3,375.	4,387.



Wall Mounted Wood Cabinets, Sliding Door Cabinet Case	36"	15 1/2"	15"	YSWMS3615()	1,899.	2,090.	2,754.	2,754.	3,166.	3,956.
	42"	15 1/2"	15"	YSWMS4215()	1,964.	2,159.	2,863.	2,863.	3,294.	4,115.
	48"	15 1/2"	15"	YSWMS4815()	2,026.	2,230.	2,972.	2,972.	3,418.	4,274.
	60"	15 1/2"	15"	YSWMS6015()	2,153.	2,367.	3,130.	3,130.	3,521.	4,422.
	72"	15 1/2"	15"	YSWMS7215()	2,282.	2,512.	3,457.	3,457.	3,898.	4,909.



Sliding Door Set for Wall Mounted Wood Cabinets	36"	3/4"	15"	YSSD3615()	641.	n/a	n/a	1,003.	1,153.	1,441.
	42"	3/4"	15"	YSSD4215()	697.	n/a	n/a	1,035.	1,192.	1,487.
	48"	3/4"	15"	YSSD4815()	754.	n/a	n/a	1,056.	1,213.	1,518.
	60"	3/4"	15"	YSSD6015()	817.	n/a	n/a	1,140.	1,317.	1,715.
	72"	3/4"	15"	YSSD7215()	881.	n/a	n/a	1,241.	1,423.	1,853.



Ordering Information	Order Code	Included With	Options
Wall Mounted Wood Cabinets 1. Pattern Number 2. Exterior Case Finish 3. Interior Case Finish (Laminate only) Sliding Door 1. Pattern Number 2. Door Finish 3. Pull Finish	Wall Mounted Wood Cabinets <i>Example:</i> YSWMO6015L, 118, 118 YSWMO Wall Mounted Wood Cabinets 60 Width 15 Depth L Laminate 118 Bright White Laminate Exterior 118 Bright White Laminate Interior Sliding Doors <i>Example:</i> YSSD6015L, 118, E, 118T YSSD Sliding Door 60 Width 15 Depth L Laminate 118 Bright White Laminate 118T Bright White Paint	Wall Mounted Wood Cabinets Sliding Doors Hardware	Wall Mounted Wood Cabinets Case Finish Options: (L) = All the same or different laminates for the exterior and interior case (V) = All the same veneer for the exterior and interior case Sliding Doors Door Finish Options: (L) = Laminate (V) = Veneer Door pulls are available in Knoll core paints, Dark Red (130) and Slate Blue (131) paint finishes.

Wall Mounted Metal Cabinets

Open and Sliding Doors

Planning Guidelines and Specifications

Wall Mounted Metal Cabinets

Wall mounted metal cabinets provide binder storage within private offices or walled, group workspaces. Cabinets are available in two configurations: open front with enclosed back, or fully enclosed, with overlapping sliding doors.

Cabinets mount on slim profile aluminum cleat, included.

Open and enclosed cabinets are available in 36", 42", 48", 60" and 72" widths. 60" and 72" wide open cabinets have a center partition for structure. Enclosed cabinets have two overlapping half-width painted metal doors.

All wall mounted cabinets are 15"H x 15"D, with 13 1/2" clear interior height for binder storage. Cabinets can be specified in all painted finish case and interior, with matching or contrasting doors finish.

Metal cabinets can be specified with a lock.

Construction

Cabinet top and bottom are formed to 3/4" thick, and sides are flat, heavy gauge steel.

Sliding doors are contained within perimeter frame.

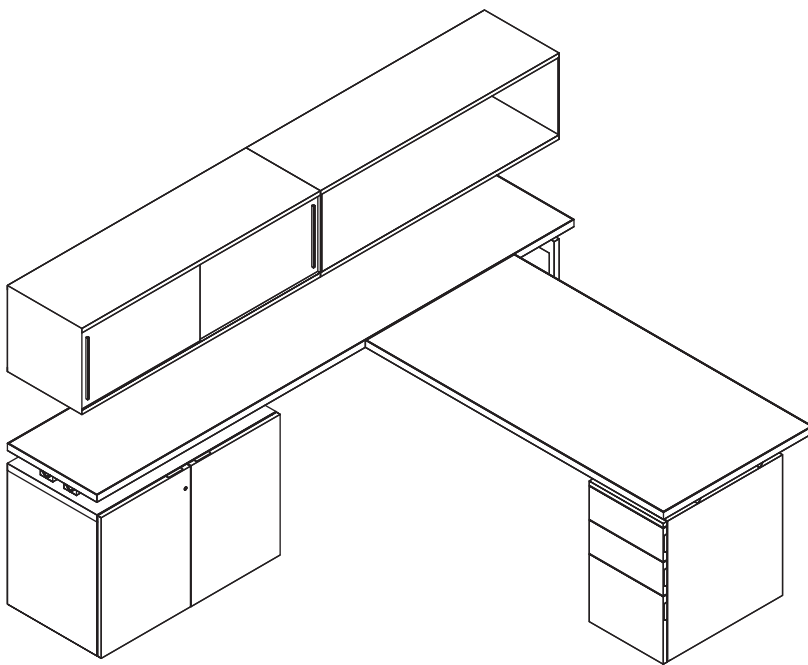
Specification Options

For open cabinets, specify case finish in any Knoll Core paint finish.

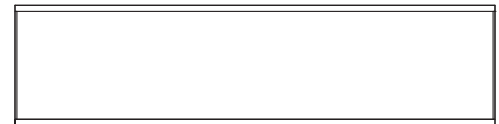
For enclosed cabinets, specify locking (L) or non-locking (N).

When different paint finishes are being selected for the case, doors or pulls, add a (Y) suffix to the pattern number. If a single paint finish is being specified for all components add an (S).

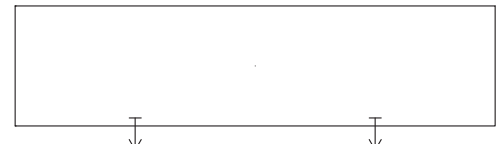
Specify case, doors and pulls in any Knoll Core paint finish.



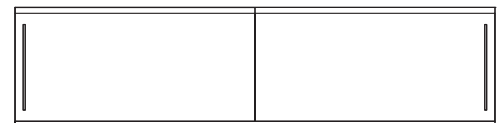
Private Office Application with Wall Mounted Metal Cabinets



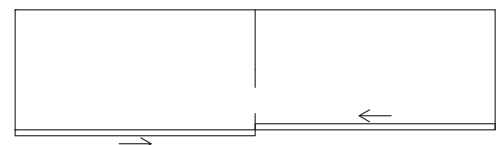
Open Cabinet Elevation



Open Cabinet Plan



Sliding Door Cabinet Elevation



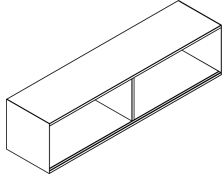
Sliding Door Cabinet Plan

Wall Mounted Metal Cabinets

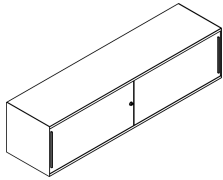
Open and Sliding Doors

36", 42", 48", 60" or 72" Wide

description	w	d	h	pattern no.	P1	P2	P3
Wall Mounted Metal Cabinets, Open Front and Enclosed Back	36"	15"	15"	YSMWMO36	\$898.	\$987.	\$1,033.
	42"	15"	15"	YSMWMO42	940.	1,035.	1,082.
	48"	15"	15"	YSMWMO48	997.	1,099.	1,148.
	60"	15"	15"	YSMWMO60	1,285.	1,412.	1,477.
	72"	15"	15"	YSMWMO72	1,403.	1,546.	1,615.



Wall Mounted Metal Cabinets, with Sliding Doors	36"	15"	15"	YSMWMS36L	1,089.	1,198.	1,250.
	42"	15"	15"	YSMWMS42L	1,138.	1,250.	1,306.
	48"	15"	15"	YSMWMS48L	1,202.	1,318.	1,378.
	60"	15"	15"	YSMWMS60L	1,501.	1,646.	1,720.
	72"	15"	15"	YSMWMS72L	1,635.	1,795.	1,873.



Ordering Information

Wall Mounted Metal Cabinets, Open Front

1. Pattern Number
2. Case Finish

Wall Mounted Metal Cabinets with Sliding Door

1. Pattern Number
2. Paint Configuration
3. Case Finish
4. Door Finish
5. Pull Finish

Order Code

Wall Mounted Open Front Metal Cabinets

Example: **YSMWMO60, 118T**

YSMWMO Wall Mounted Metal
Cabinets

60 Width

118T Bright White Paint

Wall Mounted Metal Cabinets with Sliding Door

Example: **YSMWMS60LY, 118T,**
613, 118T

YYSMW Wall Mounted Metal
MS Cabinet

60 Width

L Lock

Y Different Paint Finishes

118T Bright White Painted
Case

613 Silver Painted Door

118T Bright White Painted
Pull

Included With

Wall Mounted Metal Cabinets, Open Front

Full width interlocking wall mount
cleats

Wall Mounted Metal Cabinets with Sliding Doors

Full width interlocking wall mount
cleats

Options

Wall Mounted Metal Cabinets, Open Front

Wall Mounted Metal Cabinets with Sliding Doors

Paint Configuration Options:

Add (S) or (Y) at the end of the
pattern number to specify the paint
configuration.

(S) = Same paint finish on case and
sliding door

(Y) = Different paint finish on case
and sliding door

When different paint finishes are
being selected for the case, doors or
pulls, the price is the higher of the
two paint finish grades.

Lock Option:

To specify a wall mounted metal
cabinet with sliding doors without a
lock replace the "L" suffix in the
pattern number with an "N".

Pull Finish Options:

Door pulls are available in Knoll
core paints, Dark Red (130) and
Slate Blue (131) paint finishes.

LED Task Lights

Planning Guidelines and Specifications

LED Task Lights

LED task lights mount into the recess in the underside of metal or wood overhead cabinets at least 5" wider than the task light width. LED task lights must be ordered separately from storage cabinets.

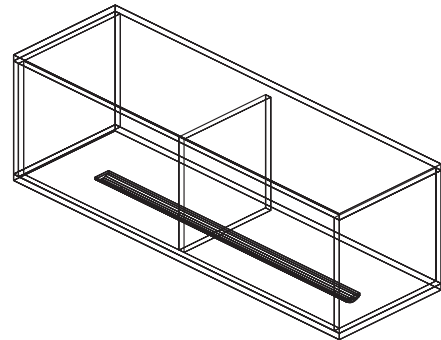
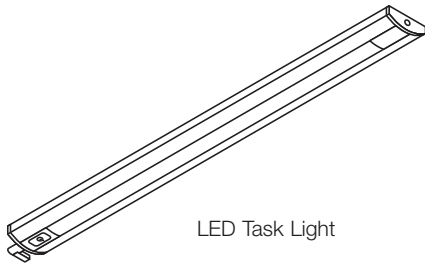
LED task lights include LED's, a power supply with 9'-12' cord and mounting hardware. The power supply cord attaches to either end of the fixture, allowing for easier access to the closest available duplex.

LED task lights are TCLP compliant and meet requirements of California Title 20 and Title 24. Task lights are approved for New York City installations.

Construction

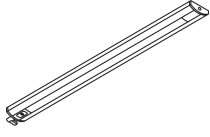
Housings are clear anodized aluminum with white color end-caps.

Model Number	Fixture Length	Lamp Length	Lamp Watts	Input Watts
YL4L17	17"	16.4"	6.6	7.8
YL4L31	31"	30.1"	14.8	17.6
YL4L44	44"	43.7"	21.8	25.9
YL4L58	58"	57.4"	28.2	33.6



LED Task Lights

for wood and metal overhead storage

description	type	w	d	h	pattern no.	list
	For use with 48" and wider overheads (72 LED's)	44"	2"	1/2"	YL4L44	\$1,248.
	For use with 66" and wider overheads (96 LED's)	58"	2"	1/2"	YL4L58	1,565.
	For use with 24" and wider overheads (24 LED's)	17"	2"	1/2"	YL4L17	573.
	For use with 36" and wider overheads (48 LED's)	31"	2"	1/2"	YL4L31	957.

Ordering Information

LED Task Lights

1. Pattern Number

Order Code

LED Task Lights

Example: **YL4L17**

YL4	Task Light
L	LED
17	Width

Included With

LED Task Lights

LED's
Power Supply with 9' cord for 17" and 12' cord for 31", 44" and 58"
Mounting Hardware

Options

LED Task Lights

Housings are clear anodized aluminum with white color end-caps.

Power cord is able to attach to either end of fixture.

Interpole Planning with Standalone Poles

Interpole plans as a standalone pole that secures to the structural ceiling and floor of a building to provide convenient access to technology. Standalone poles have four sides: two channels opposite facing for managing power and communications cables from the ceiling or floor to open plan or panel systems and two opposite facing continuous vertical slots for mounting shelves, screens, accessories or KnollExtra Sapper monitor supports at any height.

Standalone poles enable three planning applications:

- Hub for community spaces
- Display for private offices, assembly and community spaces
- Conduit for unlimited supply to desk and panel systems

Hub

Interpole distributes two-circuit power from floor or ceiling to outlets at lounge, desk or standing height to serve as a recharge station for portable devices. Power and USB outlets snap together with connectors and an infeed from a junction box in floor or ceiling to mount inside one or both channels. Each side of the pole requires its own infeed to supply power to outlets if powering both sides of a pole.

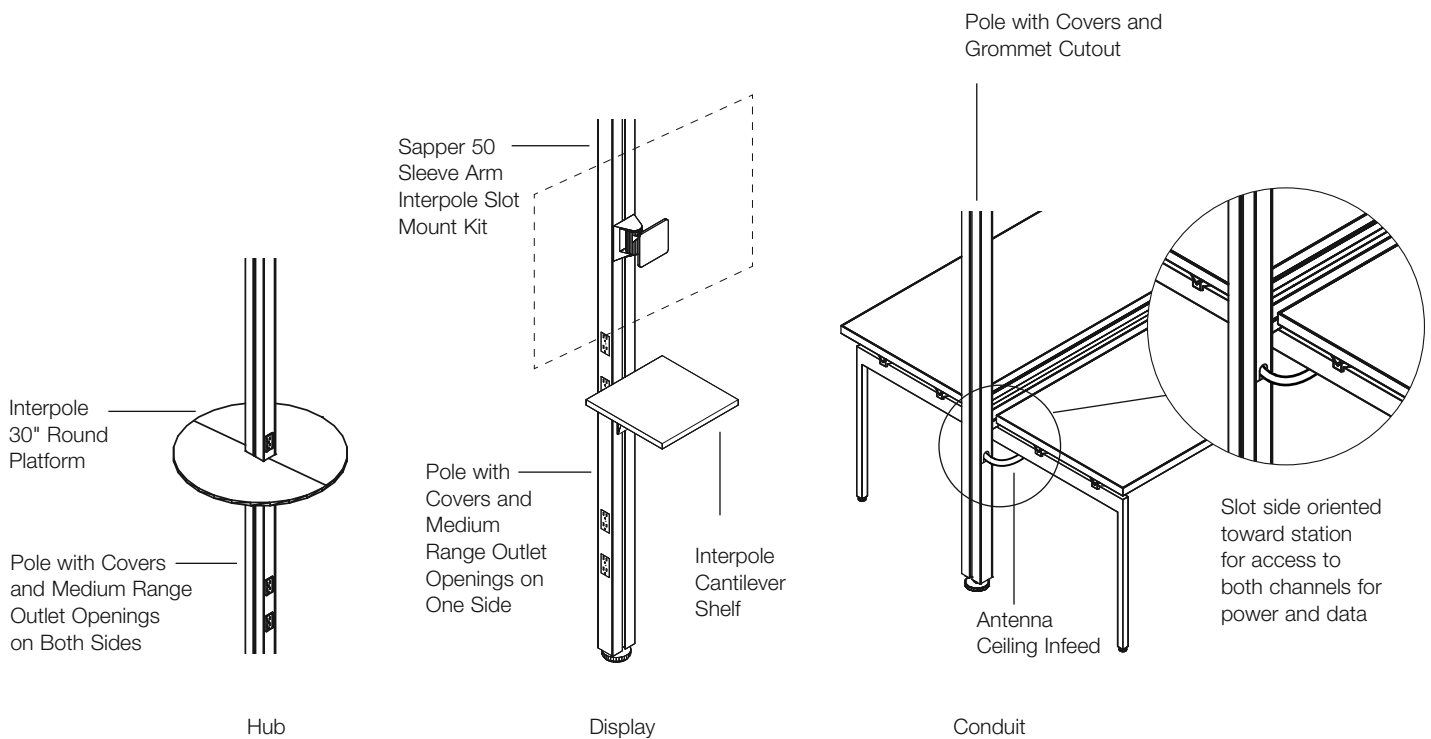
30" Round Counter and 12" x 12" Cantilever Shelf support portable devices while recharging or provide a touch down surface for the mobile worker. Additional accessories such as a coat hook and bag hook mount into the slot side of a pole to accommodate the temporary user.

Display

Standalone Interpole acts as a technology mast in private offices or community spaces by supporting monitors. KnollExtra Sapper Monitor Arm Collection and Sapper XYZ mounts are available for mounting to the slot side of a pole for standalone applications. CPU holder with adjustable straps accommodates various size CPU boxes while the CPU mounting bracket supports a small form factor PC.

Conduit

Standalone poles can route ceiling infeeds of power and communications cables in separate channels to supply Antenna Workspaces linked desks, big table or Fence, or clusters of Dividends Horizon, AutoStrada, Reff Profiles or Morrison panel systems, or Autostrada Spine.



Interpole can define boundaries and support work areas with combinations of screens and storage between two or more poles. Interpole screens and storage are available in heights that create horizons equivalent to stacking up to four Interpole cabinets, or horizons corresponding to Knoll open office system panel heights.

Interpole planning assumes storage or screens are installed at 10 1/8" above the floor.

Screen Horizons

Standard screen horizons are nominal 42", 58" or 74"H, which align with two, three or four Interpole cabinets.

The 42" horizon, utilizing 32"H screens (with 10 1/8" below), enables seated visual contact and access to natural light. The 58" horizon enables seated privacy, plus ideal heights for display, whiteboards or tackable surface.

Additional screen heights, primarily for combinations of storage and screens, enable 25" horizon (aligning with Antenna legs and low storage) or 34" horizon.

Storage Horizons

Multiples of one, two, three or four Interpole horizontal storage cabinets, with 10 1/8" below and 1 1/2" space between them, create horizons of 25", 42", 58" or 74"H.

The 25" horizon is useful for applications in which a desk or table overlaps the cabinet. The 42" horizon enables seated visual contact and access to natural light.

The 58" horizon is appropriate for seated privacy in open plan applications and the 74" horizon is ideal for maximum accessible storage in an enclosed office or privacy in an activity space.

Horizons Combining Screens and Storage

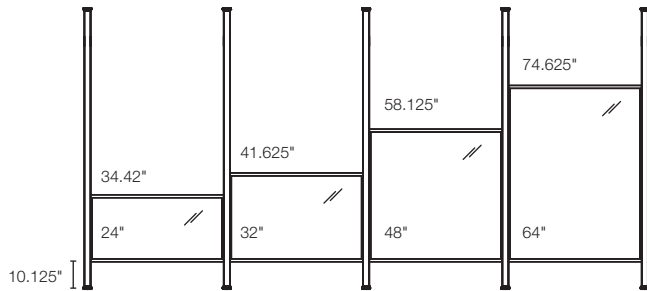
Combinations of screens and storage enable a number of horizons ideal in open plan or activity spaces.

The 42" horizon, created by one cabinet and one 15"H screen, enables visual access and aligns with 42"H panels or storage.

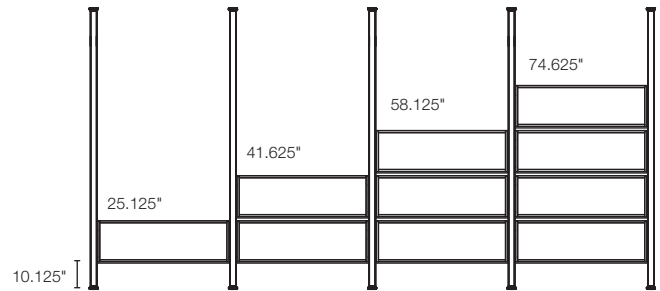
The 51" horizon, with one cabinet and a 24"H screen, is good for seated privacy with whiteboard.

The 67" horizon, with a 24"H screen between two cabinets provides accessible display and privacy, and plans well with perpendicular Antenna desks or seated-to-standing height tables.

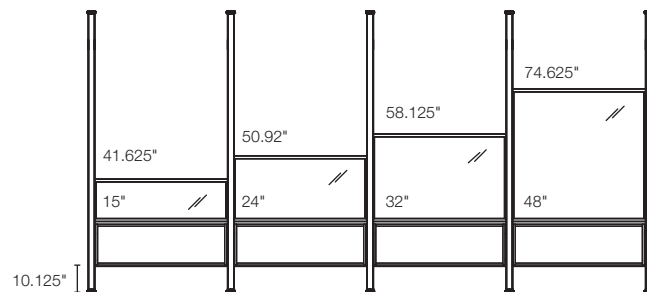
The 74" horizon is especially useful for standing height privacy or enclosed offices.



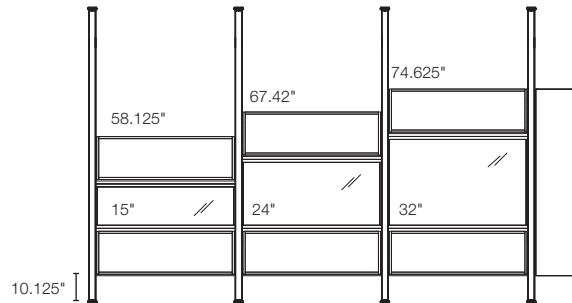
Screen Horizons



Storage Horizons



Storage with Lower Screen Horizons



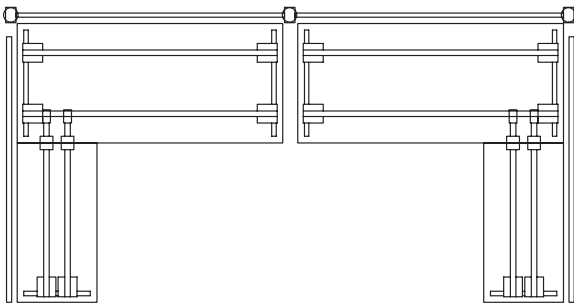
Storage Combined with Lower Screen Horizons

***Note:** nominal dimensions are shown for screens. The overall horizons are actual dimension off finished floor.

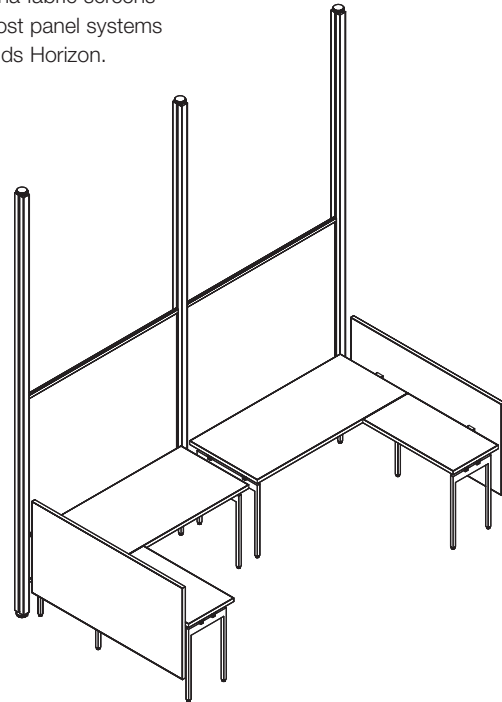
Open Planning with Interpole

Multiple Interpoles with screens or combinations of screens and storage define spines that support individual and group work areas on one or both sides. Interpole's unique floor-to-ceiling structure enables the flexibility of screens, single-sided, shared or "yin-yang" storage and pass through-open spaces, to mount at any height.

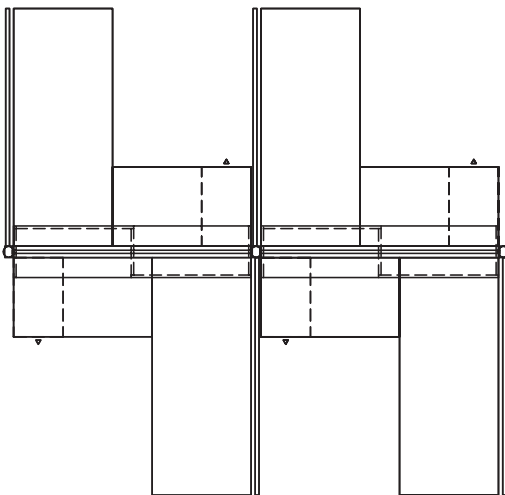
Poles with screens and storage plan with any 6" increment of width from 36" – 72" plus $\frac{5}{8}$ " between poles, plus $2\frac{3}{8}$ " for the pole itself. So a spine of Interpole aligns perfectly with standard desk widths as well as standard freestanding file cabinet widths. And the poles correspond closely with Antenna fabric screens plus a wire drop, as well as most panel systems such as AutoStrada or Dividends Horizon.



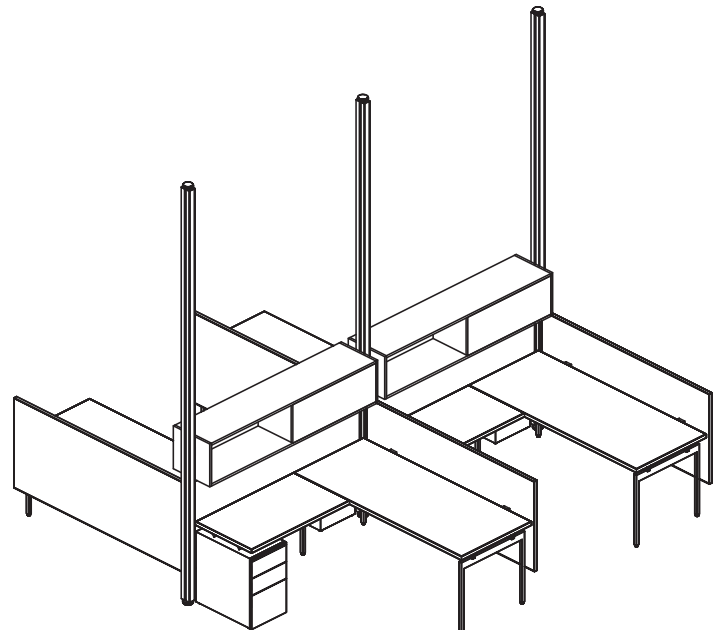
Plan View of Interpole Open Plan Screen Spine with Antenna Desks



Interpole Open Plan Screen Spine with Antenna Desks



Plan View of Interpole Open Plan Storage Spine with Antenna Desks



Interpole Open Plan Storage Spine with Antenna Desks



Pole without Cover



Pole with Covers (no outlets)



Pole with Covers (no outlets) with Grommet one side



Pole with Covers, Low Range Outlets (12"/18"/24"/30")



Pole with Covers, Medium Range Outlets (12"/18"/36"/42")



Pole with Covers, High Range Outlets (12"/18"/60"/66")



Extension Pole

Interpole Poles and Covers

Planning Guidelines and Specifications

Interpole is an independent system of poles, modular power components, screens and accessories that can be planned in combination with Antenna Workspaces desks and tables, big tables and Fence, other systems products or seating to serve and define a variety of workspaces.

Interpole Poles

The fundamental planning component is an H-shape, $2 \frac{3}{8}$ " x $3 \frac{1}{2}$ " pole that spans between and connects to the building floor and structural ceiling.

Poles and covers are 12'-3" tall and can be trimmed to fit lower overall ceiling height. Extension poles 47" tall are available to extend height to fit taller spaces.

Poles engage a mounting bracket fastened to the floor and ceiling deck and "levelers" extend for a compression fit. A set screw at the top of the pole locks the pole securely into position.

Screens, platforms, monitor supports and accessories mount to continuous slots on the two wide sides. Poles can be ordered with covers for U-shape open channels on each narrow side to enclose modular power or 2.36 square inch cross-section for cable distribution.

Cable capacity for Pole channel with a maximum fill of 50% is 16 category 6 cables and 12 category 6a cables per side.

For use as a hub for power or as a monitor support poles should be specified with covers with outlet openings. Extension poles are only available with covers and include a hardware kit for attachment. Extension poles can be cut into shorter segments to extend multiple poles. Each additional segment will require an extension pole extra hardware mounting kit. Maximum overall height capable is one 12' 3" pole and one 47" extension pole.

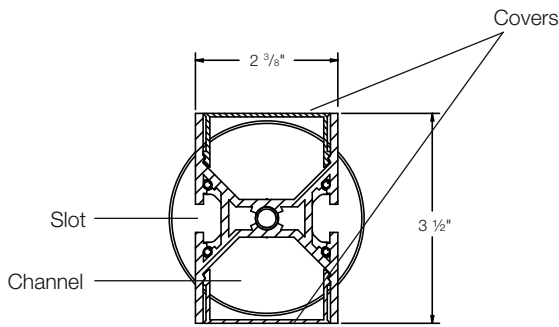
For ceiling infeed to Antenna or other systems, poles should be ordered with covers without outlets openings. For support of screens poles can be ordered with or without covers.

Construction

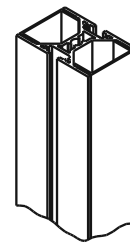
Interpole poles and covers are extruded aluminum. Levelers are steel threaded stems with painted surface on molded ABS caps. Ceiling and floor mounting plates are painted steel.

Specification Options

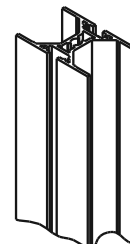
Poles and covers can be specified in natural anodized aluminum (AA) or powder coated Bright White finish (118T). Leveler caps are Satin Chrome (PS) or painted Jet Black (111) or Bright White (118).



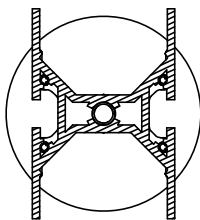
Pole Section with Covers



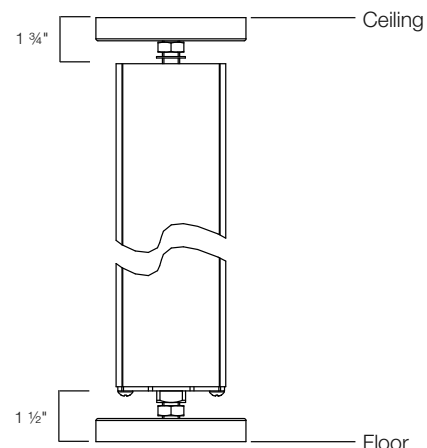
Pole with Covers



Pole without Covers



Pole Section without Covers



Ceiling/Floor Detail

Pole Cover Options

Poles with covers can be ordered with four outlet openings on one or both sides, in three height combinations:

Low: outlets centered at 12", 18", 24", 30" above floor (lounges and desk height)

Medium: outlets centered at 12", 18", 36", 42" above floor (standing height)

High: outlets centered at 12", 18", 60", 66" above floor (TV height)

Outlet openings can be used for Interpole duplex outlets, Decora-size communications faceplates, or filled with a blank faceplate.

Poles can also be ordered without covers, with covers that do not have outlet openings (as for ceiling infeed to adjacent Fence or panel base raceway), or with one cover that has a grommet at the bottom. The grommet can be positioned at any height to enable a ceiling infeed to exit the pole at desk or big table height by shifting the cover up to the desired height. Then the top end of the cover can be trimmed onsite to fill in below the grommet opening.

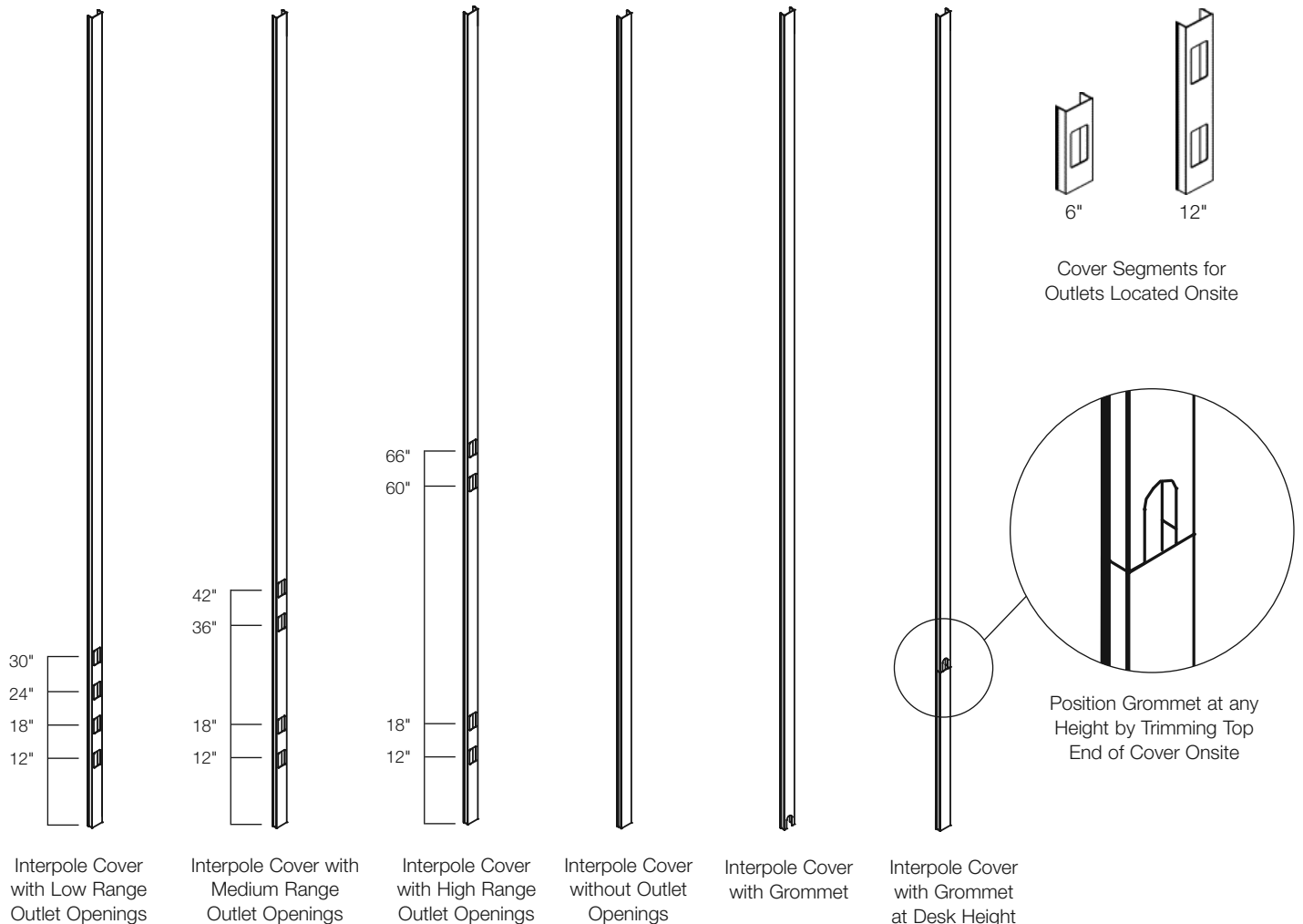
Covers are also available in a 6" or 12" segment for one or two outlet openings to be positioned anywhere on a pole. This can be especially useful when a single outlet is required behind a TV and no outlets are needed below. In this case specify a pole with covers without outlets, and trim a side cover to fit above and below the outlets cover segment.

Construction

Interpole poles and covers are extruded aluminum. Levelers are steel threaded stems with painted surface on molded ABS caps. Ceiling and floor mounting plates are painted steel.


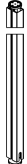
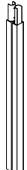
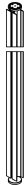
Specification Options

Poles and covers can be specified in natural anodized aluminum (AA) or powder coated Bright White finish (118T). Leveler caps are Satin Chrome (PS) or painted Jet Black (111) or Bright White (118).



Interpole Poles and Covers

Without Outlets (no holes for power)

description	type	w	d	h	pattern no.	AA	118T
Pole with covers, no outlet openings	Straight	2.3"	3.5"	144"	IPSCNN144	\$2,534.	\$2,999.
							
Pole with covers, no outlet openings, grommet in one cover	Straight	2.3"	3.5"	144"	IPSCNG144	2,641.	3,111.
							
Extension Pole with covers	Straight	2.3"	3.5"	47"	IPESCNN47	1,423.	1,711.
							
Pole without covers	Straight	2.3"	3.5"	144"	IPSN144	1,754.	1,941.
							

Ordering Information

Interpole Poles Without Outlets

1. Pattern Number
2. Finish

Order Code

Interpole Poles Without Covers

Example: **IPSCNG144, 118T**

IP	Interpole
S	Straight
C	Covers
N	No Outlets
G	Grommet in one cover
144	Height
118T	Bright White Paint

Included With

Interpole Pole
Attachment Hardware

Extension Pole
(2) Splices
(8) Screws


Options

Interpole Pole
Finish Options:


Pole and Cover
(AA) = Anodized Aluminum
(118T) = Bright White Paint

Leveller
(PS) Satin Chrome
(111) Jet Black
(111) Bright White

Interpole Poles and Covers With Outlets

description	type	w	d	h	pattern no.	AA	118T
 Poles with covers, with outlet openings one side	Straight high range	2.3"	3.5"	144"	IPSCNH144	\$2,813.	\$3,280.
	Straight low range	2.3"	3.5"	144"	IPSCNL144	2,813.	3,280.
	Straight medium range	2.3"	3.5"	144"	IPSCNM144	2,813.	3,280.

IPSCNL144 shown

 Poles with covers, with outlet openings both sides	Straight high range	2.3"	3.5"	144"	IPSCHH144	2,994.	3,465.
	Straight low range	2.3"	3.5"	144"	IPSCLL144	2,994.	3,465.
	Straight medium range	2.3"	3.5"	144"	IPSCMM144	2,994.	3,465.

IPSCLL144 shown

Ordering Information

Interpole Poles With Outlets

1. Pattern Number
2. Finish

Order Code

Interpole Poles With Outlets

Example: **IPSCHH144, AA**

IP	Interpole
S	Straight
C	Covers
HH	High Outlets Two Sides
144	Height
AA	Anodized Aluminum

Included With

Interpole Pole
Attachment Hardware

Options

Interpole Pole Finish Options:

Pole and Cover
(AA) = Anodized Aluminum
(118T) = Bright White Paint

Leveller
(PS) Satin Chrome
(111) Jet Black
(111) Bright White

Interpole power system is a two-circuit, four wire system of snap together outlets, connectors between outlets and infeed from junction box in floor or ceiling.

Duplex outlets are available preconfigured for either circuit 1 or circuit 2. Duplex outlets include a bracket that lets them attach to the inside of the pole channel at any height. Poles ordered with openings have mounting positions for outlets corresponding to openings in covers.

Power connectors are available for adjacent outlets separated by 6" on center, outlets separated by 18" on center, or for outlets separated by 42" on center.

A power connector is available to connect outlets in opposite channels located 12" from the bottom, separated by 26" on center.

Three types of power infeeds are available to connect outlets within Interpole to the building power supply. The Interpole modular infeeds include one end with a modular connector to the first duplex outlet, a flexible metal conduit, and a pigtail for connection to a code approved junction box supplied by the electrical contractor. The conduit length can be ordered in 6', 8', 10' or 18' lengths depending on the distance between the first outlet and the junction box in the floor or ceiling.

The Interpole 48" floor infeed includes one end with a modular connector to the first duplex outlet, a metallic liquid tight conduit, and a pigtail with elbow connector for connection to a code approved junction box supplied by the electrical contractor.

A hardwired infeed box, required in New York City, mounts inside the Interpole channel and includes a connector with three foot pigtail to connect to the closet power outlet.

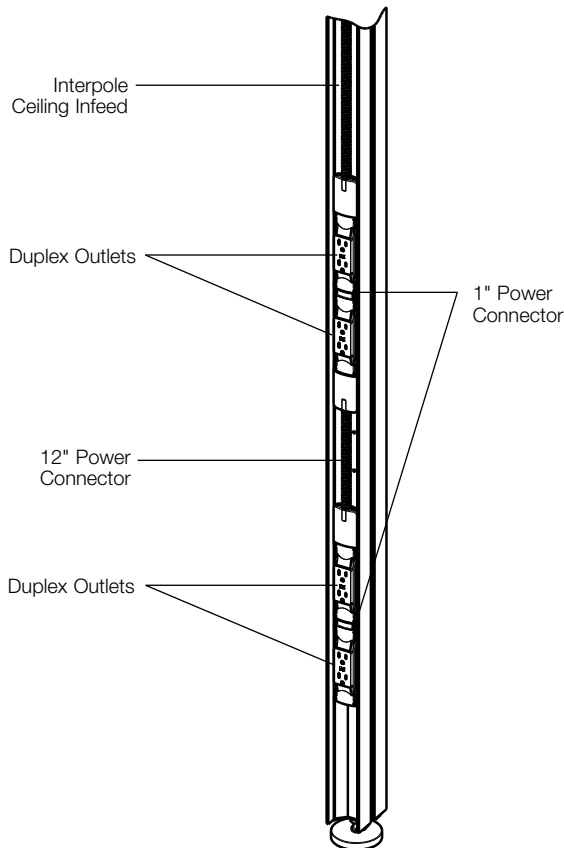
The pole levelers create a 1 1/2" space between the pole and the floor or ceiling to facilitate cable entry and exit, which can be increased by trimming the cover onsite.

Communications cables can be routed through the side of a pole that does not contain power components to provide separation. Cable capacity in each channel is maximum 3 square inch cross section. A flexible cover liner is available to protect cables from trimmed cover ends.

One to three communications cables can also be routed from the ceiling through the side of a pole that does have power infeed but should exit the pole through a hole in the cover or be terminated in a communications faceplate above the power outlets. The flexible conduit enclosing the power infeed will provide separation of high and low voltage distribution.

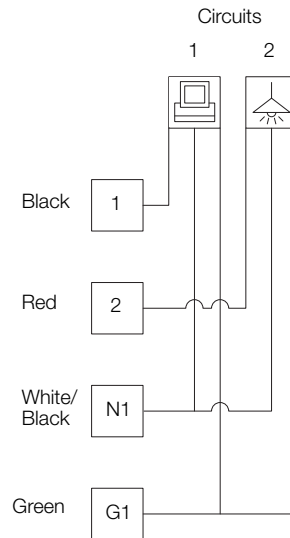
Specification Options

For duplex outlets specify black (B) or white (W).



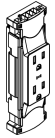

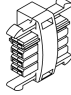

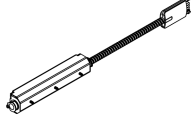
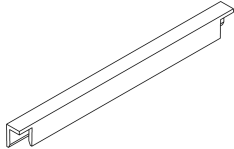
Pole without Covers with Medium Range Outlets, Connectors and Ceiling Infeed

Wiring Diagram (two-circuit, four wire)



Interpole Power Components

Power to Outlets within Interpole

description	type	w	d	h	pattern no.	B	W	list
 Duplex Outlet	Circuit 1				IPRD1()	\$160.	\$178.	
	Circuit 1, with Controlled symbol				IPRD1C()	160.	178.	
	Circuit 2				IPRD2()	160.	178.	
	Circuit 2, with Controlled symbol				IPRD2C()	160.	178.	
 USB Outlet	Circuit 1				IPRUSB()	258.	294.	
 Power Connectors between Outlets	Outlets 18" apart o.c.			12"	IPRC18			125.
	Outlets 26" apart o.c.			20"	IPRC26			132.
	Outlets 30" apart o.c.			24"	IPRC30			144.
	Outlets 42" apart o.c.			36"	IPRC42			161.
	Outlets 6" apart o.c.			1"	IPRC6			29.
 Modular Infeeds from Ceiling J-Box	Floor Infeed			48"	IPRFF48			193.
	From 12' ceiling to outlets at 66"			72"	IPRCF72			224.
	From 12' ceiling to outlets at 42"			96"	IPRCF96			263.
	From 12' ceiling to outlets at 30"			120"	IPRCF120			300.
	Very high ceiling			180"	IPRCF180			399.
 Hardwire Ceiling Infeed	Interpole Hardwire Ceiling Infeed for New York City				IPRCFNY			552.
 Edge Liner	Set of 10 for field cut cover				IPEL			100.

Ordering Information	Order Code	Included With	Options
Electrical Components 1. Pattern Number Duplex Outlet 1. Pattern Number 2. Finish	Electrical Components <hr/> <i>Example:</i> IPRCF120 <hr/> IP Interpole <hr/> RCF Ceiling Infeed <hr/> 120 Height <hr/> Duplex Outlet <hr/> <i>Example:</i> IPRD1W <hr/> IPRD Interpole Receptacle Duplex <hr/> 1 Circuit 1 <hr/> W White	Electrical Components Outlets Brackets Attachment Hardware	Electrical Component Duplex Outlet Finish Options: (B) Black (W) White Blank Outlet Filler Finish Options: (BLK) Black (GRY) Grey

Interpole Power Components

Power to Outlets within Interpole

description	type	w	d	h	pattern no.	B	W	list
Blank Outlet Filler	For use with Interpole				IPROF			\$36.



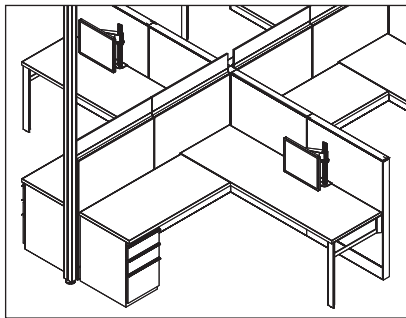
Ordering Information	Order Code	Included With	Options
Electrical Components 1. Pattern Number Duplex Outlet 1. Pattern Number 2. Finish	Electrical Components <hr/> <i>Example:</i> IPRCF120 <hr/> IP Interpole <hr/> RCF Ceiling Infeed <hr/> 120 Height <hr/> Duplex Outlet <hr/> <i>Example:</i> IPRD1W <hr/> IPRD Interpole Receptacle Duplex <hr/> 1 Circuit 1 <hr/> W White	Electrical Components Outlets Brackets Attachment Hardware	Electrical Component Duplex Outlet Finish Options: (B) Black (W) White Blank Outlet Filler Finish Options: (BLK) Black (GRY) Grey

Ceiling infeeds to Antenna Workspaces and other Knoll systems

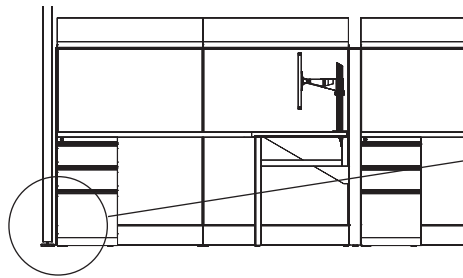
Power infeeds to open plan systems can be routed through a pole channel that has no Interpole power components or outlet openings. Pole should be positioned no more than 18" away from systems furniture.

Power infeed should be ordered in a length adequate to connect from junction box in ceiling, through Interpole pole to power harness in adjacent Antenna desk, big table or Fence, or panel system base infeed location.

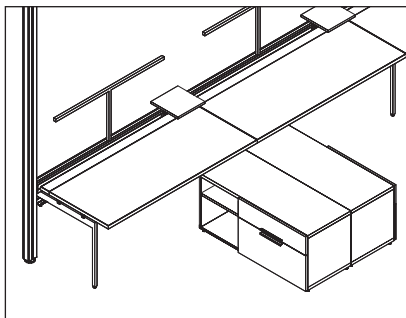
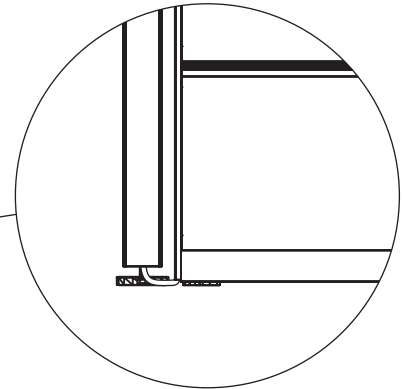
Ceiling infeeds for Antenna Workspaces are available in 2+2, eight wire, four circuit, or 3+3, ten wire, six circuit configurations, in two lengths: 12' or 20' long. Standard ceiling infeeds for Dividends Horizon, AutoStrada or Reff Profiles applications are available in various circuit configurations and lengths (see each catalog for more information).



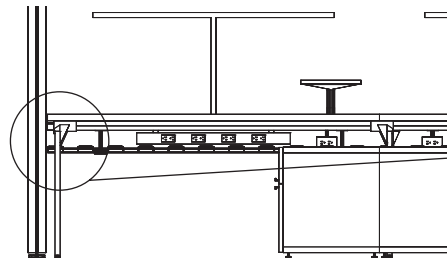
Conduit to Dividends Horizon Panels



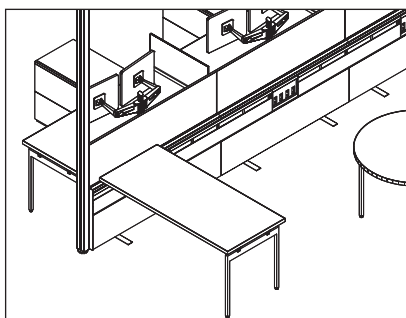
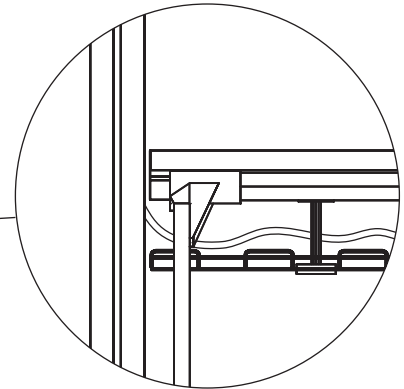
Elevation of conduit to Dividends Horizon Panels



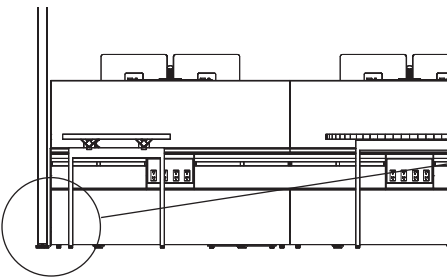
Conduit to Antenna Workspaces Single-Sided Basic Big Table



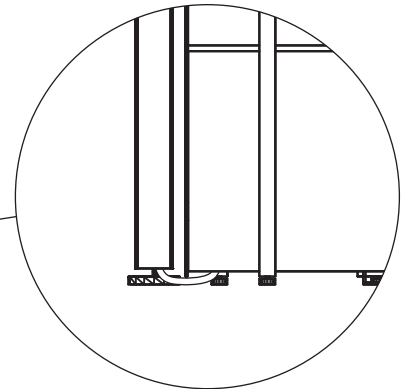
Elevation of conduit to Antenna Workspaces Single-Sided Basic Big Table



Conduit to Antenna Fence

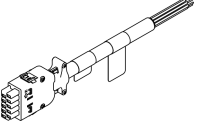
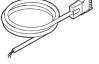
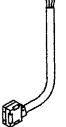


Elevation of Conduit to Antenna Fence



Interpole Power Components

Ceiling Infeeds to other Systems

description	type	length	pattern no.	list
Ceiling infeed passing through Interpole to Antenna desk, Big Table or Fence 	2+2	12'	YR1EPIC12	\$492.
	2+2	20'	YR1EPIC20	895.
	3+3	12'	YR1TPIC12	532.
	3+3	20'	YR1TPIC20	938.
	4-4-2	12'	YR1XPIC12	560.
	4-4-2	20'	YR1XPIC20	985.
Ceiling infeed passing through Interpole to Dividends Horizon Panels 	2+2	19 1/2'	DE18CI144	371.
	3+1	19 1/2'	DE1ECI144	337.
	3+3	19 1/2'	DE1TCI144	428.
Ceiling infeeds passing through Interpole to Reff Profiles panels 	2+2	13'	RR3EPVR	345.
	3+3	13'	RR3TPVR	416.
Ceiling infeeds passing through Interpole to AutoStrada Spine	2+2	145"	AR1EPIC	293.
	3+3	145"	AR1TPIC	334.

Ordering Information	Order Code	Included With	Options
Interpole Ceiling Infeed	Interpole Ceiling Infeed	Interpole Ceiling Infeed	Interpole Ceiling Infeed
1. Pattern Number	<i>Example:</i> YR1TPIC12		
	YR1 Antenna Power Component		
	TP 10 Wire		
	IC Interpole Ceiling Infeed		
	12 Length		

Interpole Accessories

Interpole cable clips engage the slot on each wide side to manage a bundle of cables up to 3/4" in diameter. Cable clips are medium grey plastic, available in a kit of 50.

Ceiling tile trim kit is designed to trim the edge of a suspended ceiling tile cut to fit around the Interpole pole.

Interpole poles have two continuous vertical slots and two continuous channels that are ready to accept monitor supports. Twelve Interpole-specific Sapper mounts are available: standard monitor arm, sleeve arm, Sapper 50 monitor arm, Sapper 50 sleeve arm and Sapper XYZ. Interpole slot mounting options or channel mounting options and arms can be ordered as a complete kit or a la carte in the KnollExtra Sapper Monitor Arm collection.

PC mounting bracket is a flat plate with holes corresponding to standard 4" x 4" array of four mounting holes on a small form factor PC. PC mounting bracket is black painted finish only.

CPU Holder with adjustable straps can support electronics boxes sized 3.5" wide and 30" high or 7" wide and 23" high, or any box that two times the width plus the height equals 37" total or less.

Cantilever shelf supports remotes or small portable electronics on the pole at any height. Shelf is 12" x 12" x 3/4" thick, with laminate or veneer surface, mounted on an Antenna L-bracket to the slot on either side of a pole. Maximum weight limit for the cantilever shelf is 58 lbs.

Interpole bag hook, coat hook and KnollExtra accessory cup mount to the slot on either side of a pole.

Construction

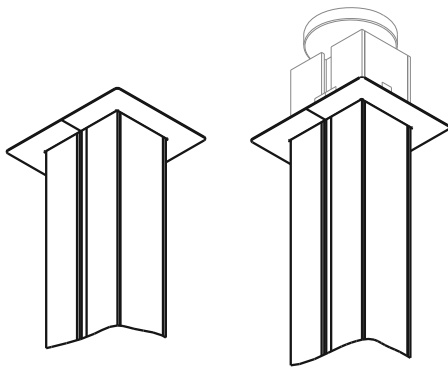
Cantilever shelf is solid MDF with laminate top and bottom and matching ABS edge or veneer on all surfaces. Ceiling tile trim kit is painted steel, in two interlocking parts, with a 1" wide frame around pole.

CPU Holder with adjustable straps includes painted black brackets and black straps with hook and loop fasteners.

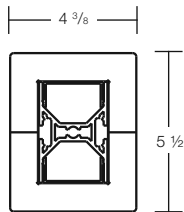
Round Platform is 3/4" thick phenolic core, with white surface and solid black edges.

Specification Options

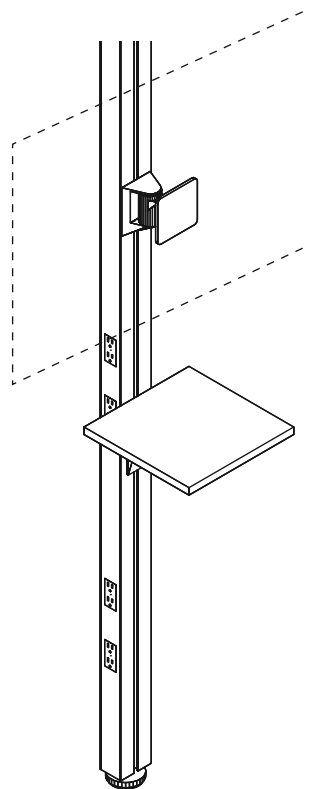
For cantilever shelf specify laminate (L) or veneer (V) in any core laminate or veneer finish. Cantilever support bracket is available in any Knoll core paint finish, Dark Red or Slate Blue. Ceiling tile trim kit is available in painted Silver (613) or Bright White (118T).



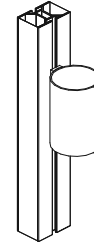
Detail of Ceiling Trim Mounted on Pole with Covers



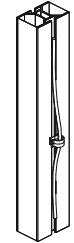
Section of Ceiling Trim and Pole with Covers



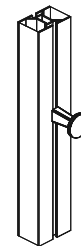
Slot Mount Sapper Sleeve Arm Mounted on Pole with Covers and Medium Range Outlets



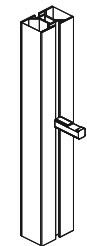
KnollExtra Accessory Cup



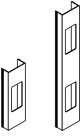





Cable Clip



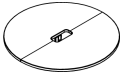
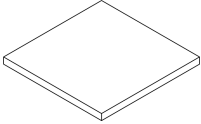
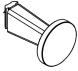
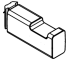
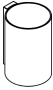

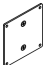
Coat Hoak



Bag Hook

description	type	w	d	h	pattern no.	AA	118T	list
Outlet Covers 	One opening	2"		6"	IPOC6	\$227.	\$235.	
	Two openings	2"		12"	IPOC12	244.	261.	
Chicago Hardwire outlet Box 	For use with Interpole	2"		20"	IPOC20H	227.	235.	425.
Cable Clips for Interpole 	Package of 50				YR1BCC50			308.
Internal Cable Clips 	Package of 10				IPCC10			14.
Interpole Vertical Wire Manager 	For use with 48" or shorter screen			48"	IPRVWM			72.
Ceiling Tile Trim 	For use with Interpole Poles with Covers				IPCT	0.	0.	84.
Extension Pole Extra Hardware Kit	For attaching additional extension pole segments				IPEX			232.

Ordering Information	Order Code	Included With	Options
Antenna Outlet Cover 1. Pattern Number 2. Finish	Antenna Outlet Covers <i>Example:</i> IPOC12, 118T IPOC Interpole Outlet Cover 12 Height 118T Bright White Paint Cantilever Shelf <i>Example:</i> IPCS1212L, 118, 118T IP Interpole CS Cantilever Shelf 12 Width 12 Depth L Laminate 118 Bright White Laminate 118T Bright White Paint	Antenna Outlet Covers Extension Pole Hardware Kit (2) Splices (8) Screws Cantilever Shelf Bracket Attachment Hardware Hooks and Accessory Cup Attachment Hardware Internal Cable Clips (10) Cable Clips (10) Screws	Antenna Outlet Covers Finish Options: (AA) = Anodized Aluminum (118T) = Bright White Paint Ceiling Tile Trim Finish Options: (613) = Silver (118T) = Bright White Paint Cantilever Shelf Finish Options: (L) Laminate (V) Veneer Hooks and Accessory Cup Finish Options: (111) Jet Black (115) Medium Grey (118) Bright White (130) Dark Red (131) Slate Blue

description	type	w	d	h	pattern no.	Laminate (L)	V1 (V)	V2 (V)	V3 (V)	list
Interpole Round Platform 	Interpole Slot Mount	30"	30"	3/4"	IPPL30R					\$1,690.
Cantilever Shelf 	Square 12x12 Interpole Slot Mount	12"	12"	3/4"	IPCS1212()	186.	349.	402.	524.	
Coat Hook 	Interpole Slot Mount				IPCH					38.
Bag Hook 	Interpole Slot Mount				IPBH					36.
Accessory Cup 	KnollExtra™ Accessory Cup (see KnollExtra price list for details)				ACT-CUP-IP					92.
CPU Mounting Brackets with Adjustable Straps 	Interpole Slot Mount				IPACPU					271.
CPU Mounting Plate 	Interpole Slot Mount				IPAVESA					78.

Ordering Information

Cantilever Shelf

1. Pattern Number
2. Surface Finish
3. Bracket Paint Finish

Hooks and Accessory Cup

1. Pattern Number
2. Paint Finish

Order Code

Cantilever Shelf

Example: IPCS1212L, 118, 118T

IP	Interpole
CS	Cantilever Shelf
12	Width
12	Depth
L	Laminate
118	Bright White Laminate
118T	Bright White Paint

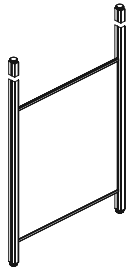
Included With

- Cantilever Shelf**
Bracket
Attachment Hardware
- Hooks and Accessory Cup**
Attachment Hardware

Options

- Cantilever Shelf**
Finish Options:
(L) Laminate
(V) Veneer
- Hooks and Accessory Cup**
Finish Options:
(111) Jet Black
(115) Medium Grey
(118) Bright White
(130) Dark Red
(131) Slate Blue

64"H Interpole Screens



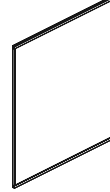
36" wide



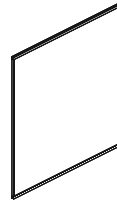
42" wide



48" wide

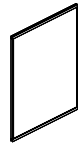
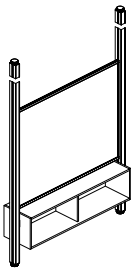


54" wide

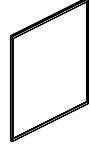


60" wide

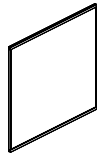
48"H Interpole Screens



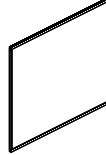
36" wide



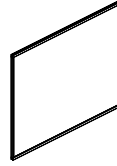
42" wide



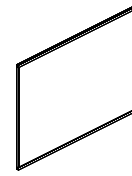
48" wide



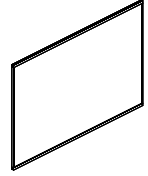
54" wide



60" wide

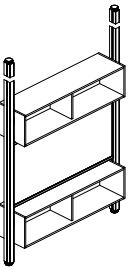


66" wide

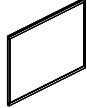


72" wide

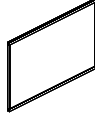
32"H Interpole Screens



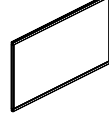
36" wide



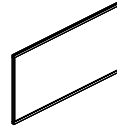
42" wide



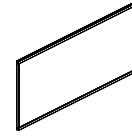
48" wide



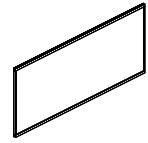
54" wide



60" wide

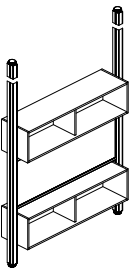


66" wide



72" wide

24"H Interpole Screens



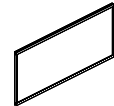
36" wide



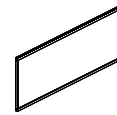
42" wide



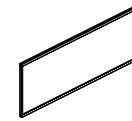
48" wide



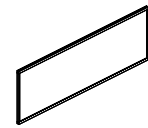
54" wide



60" wide

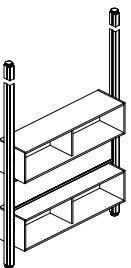


66" wide



72" wide

15"H Interpole Screens



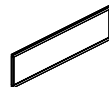
36" wide



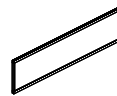
42" wide



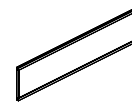
48" wide



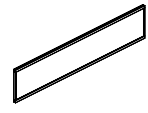
54" wide



60" wide



66" wide



72" wide

Interpole Screens

Interpole screens plan between poles to create a markerboard or tackable surface and to delineate the boundary of an activity space. Screens include a perimeter frame that mounts on each vertical side to the slot of an Interpole. Screens planned end to end can share an Interpole between them for support.

Screen surface options are:

- Markerboard laminate on both sides
- Markerboard laminate on one side with tackable fabric on the other
- Translucent laminated glass
- Opaque markerboard laminated glass.

Any standard Antenna screen fabric is standard on Antenna Interpole screens. Laminate and glass markerboard surfaces should only be used with dry-erase markers.

Screen Planning Options

Interpole screens can be mounted at any height beginning 6" above the floor.

Interpole screens 64 1/2"H are typically mounted 10" above the floor to a horizon of 74 1/2" for boundary applications, or as high as 24" above the floor for most convenient access to marker tray in markerboard applications.

Interpole screens are available in every 6" increment of width from 36" to 60" between poles, aligning perfectly with corresponding Antenna Workspaces or other "full-module" desks or storage components. Screens plan full-module width plus 3" between centerlines of Poles.

Optional marker tray is deep enough to hold dry erase markers, erasers and pushpins on both faces of any type of screen. Marker tray includes a lip at the front edges aligning with the face of the poles. Marker tray is integral to the frame and can only be positioned at the bottom.

Note that screens utilize the side slot in which Sapper Monitor arms normally mount, so to mount a monitor to the face of a pole between two screens specify a "channel mount" version Sapper arm or sleeve mount.

Construction

Screen frames and optional marker trays are extruded aluminum with a natural anodized or painted surface. Frames mount to poles with steel brackets and flexnuts.

Optional marker tray replaces the bottom frame element of screens without a marker tray.

Screen surface options are:

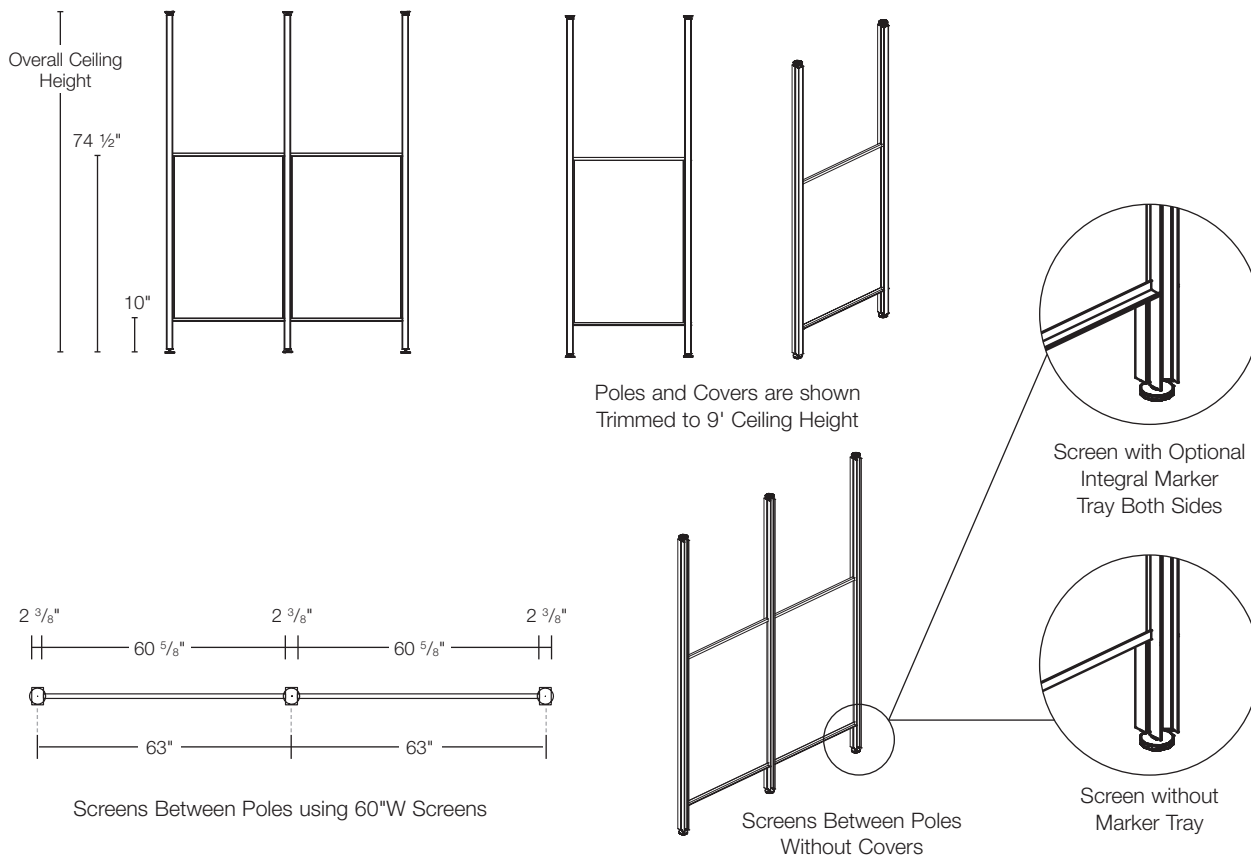
markerboard laminate on 3/4" fiberboard core, fabric on tackable 5/16" PET plus markerboard laminate on 3/8" fiberboard core with a paper backer, translucent laminated glass or opaque white laminated glass totaling 3/8" thickness and held in a frame with an ABS plastic extrusion.

Specification options

Screens are available with or without integral marker tray on both sides. Specify markerboard laminate both faces (LL), markerboard laminate one side, tackable fabric on the other (LF), opaque white laminated glass (GG) or translucent laminated glass (GT).

Specify natural anodized (AA) or Bright White (118) painted perimeter frame.

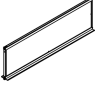
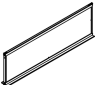
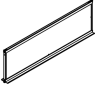
Specify Antenna screen fabric option.



Interpole Screens

Markerboard Laminate or Glass

15" High

description	w	d	h	pattern no.	list
Screens Between Poles, 15"H Laminated Opaque Glass Both Sides  (IPSC1548TGG shown)	36"	15/16"	15"	IPSC1536(N/T)GG	\$2,143.
	42"	15/16"	15"	IPSC1542(N/T)GG	2,387.
	48"	15/16"	15"	IPSC1548(N/T)GG	2,592.
	54"	15/16"	15"	IPSC1554(N/T)GG	2,876.
	60"	15/16"	15"	IPSC1560(N/T)GG	3,080.
	66"	15/16"	15"	IPSC1566(N/T)GG	3,280.
	72"	15/16"	15"	IPSC1572(N/T)GG	3,707.
Screens Between Poles, 15"H Laminated Translucent Glass Both Sides  (IPSC1548TGG shown)	36"	15/16"	15"	IPSC1536(N/T)GT	1,955.
	42"	15/16"	15"	IPSC1542(N/T)GT	2,160.
	48"	15/16"	15"	IPSC1548(N/T)GT	2,336.
	54"	15/16"	15"	IPSC1554(N/T)GT	2,586.
	60"	15/16"	15"	IPSC1560(N/T)GT	2,762.
	66"	15/16"	15"	IPSC1566(N/T)GT	2,915.
	72"	15/16"	15"	IPSC1572(N/T)GT	3,325.
Screens Between Poles, 15"H Markerboard Laminate Both Sides  (IPSC1548TGG shown)	36"	15/16"	15"	IPSC1536(N/T)LL	1,338.
	42"	15/16"	15"	IPSC1542(N/T)LL	1,376.
	48"	15/16"	15"	IPSC1548(N/T)LL	1,387.
	54"	15/16"	15"	IPSC1554(N/T)LL	1,461.
	60"	15/16"	15"	IPSC1560(N/T)LL	1,472.
	66"	15/16"	15"	IPSC1566(N/T)LL	1,478.
	72"	15/16"	15"	IPSC1572(N/T)LL	1,682.

Order Information

- Interpole Screens**
 1. Pattern Number
 2. Frame Paint Finish

Order Code

Interpole Screens

Example: **IPSC1548TGT, 118T**

IP	Interpole
SC	Screen
15	Height
48	Width
T	Marker Tray
GT	Translucent Glass
118T	Bright White Paint

Included With

Interpole Screens
 Attachment Hardware

Options

Interpole Screens
 (N) = No Marker Tray
 (T) = Integral Dual Marker Tray

Finish Options:
 (LL) = Markerboard Laminate both sides
 (GG) = Laminated Opaque Glass
 (GT) = Laminated Translucent Glass
 (LF) = Markerboard Laminate one side/Tackable Fabric other side

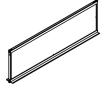
Frame Finish:
 (AA) = Anodized Aluminum
 (118T) = Bright White Paint

Interpole Screens

Markerboard/Tackable Fabric Combination

15" High

description	w	d	h	pattern no.	10	20	30	40	45
Screens Between Poles, 15"H	36"	15/16"	15"	IPSC1536(N/T)LF	\$1,370.	\$1,411.	\$1,437.	\$1,473.	\$1,507.
Markerboard Laminate One Side/ Tackable Fabric Opposite Side	42"	15/16"	15"	IPSC1542(N/T)LF	1,403.	1,446.	1,475.	1,509.	1,545.
	48"	15/16"	15"	IPSC1548(N/T)LF	1,419.	1,461.	1,488.	1,526.	1,560.
	54"	15/16"	15"	IPSC1554(N/T)LF	1,478.	1,523.	1,552.	1,590.	1,626.
	60"	15/16"	15"	IPSC1560(N/T)LF	1,488.	1,533.	1,563.	1,601.	1,638.
	66"	15/16"	15"	IPSC1566(N/T)LF	1,501.	1,546.	1,576.	1,613.	1,650.
	72"	15/16"	15"	IPSC1572(N/T)LF	1,655.	1,704.	1,737.	1,777.	1,820.



(IPSC1548TGG shown)

Order Information

- Interpole Screens**
1. Pattern Number
 2. Fabric Finish
 3. Frame Paint Finish

Order Code

Interpole Screens	
<i>Example:</i>	IPSC1548TGT, 118T
IP	Interpole
SC	Screen
15	Height
48	Width
T	Marker Tray
GT	Translucent Glass
118T	Bright White Paint

Included With

Interpole Screens
Attachment Hardware

Options

Interpole Screens
(N) = No Marker Tray
(T) = Integral Dual Marker Tray

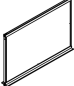
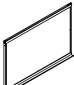
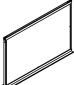
Finish Options:
(LL) = Markerboard Laminate both sides
(GG) = Laminated Opaque Glass
(GT) = Laminated Translucent Glass
(LF) = Markerboard Laminate one side/Tackable Fabric other side

Frame Finish:
(AA) = Anodized Aluminum
(118T) = Bright White Paint

Interpole Screens

Markerboard Laminate or Glass

24" High

description	w	d	h	pattern no.	list
Screens Between Poles, 24"H Laminated Opaque Glass Both Sides  <i>(IPSC2448TGG shown)</i>	36"	15 ¹ / ₁₆ "	24 ¹ / ₄ "	IPSC2436(N/T)GG	\$2,870.
	42"	15 ¹ / ₁₆ "	24 ¹ / ₄ "	IPSC2442(N/T)GG	3,222.
	48"	15 ¹ / ₁₆ "	24 ¹ / ₄ "	IPSC2448(N/T)GG	3,540.
	54"	15 ¹ / ₁₆ "	24 ¹ / ₄ "	IPSC2454(N/T)GG	3,933.
	60"	15 ¹ / ₁₆ "	24 ¹ / ₄ "	IPSC2460(N/T)GG	4,245.
	66"	15 ¹ / ₁₆ "	24 ¹ / ₄ "	IPSC2466(N/T)GG	4,564.
	72"	15 ¹ / ₁₆ "	24 ¹ / ₄ "	IPSC2472(N/T)GG	5,092.
Screens Between Poles, 24"H Laminated Translucent Glass Both Sides  <i>(IPSC2448TGG shown)</i>	36"	15 ¹ / ₁₆ "	24 ¹ / ₄ "	IPSC2436(N/T)GT	2,557.
	42"	15 ¹ / ₁₆ "	24 ¹ / ₄ "	IPSC2442(N/T)GT	2,854.
	48"	15 ¹ / ₁₆ "	24 ¹ / ₄ "	IPSC2448(N/T)GT	3,126.
	54"	15 ¹ / ₁₆ "	24 ¹ / ₄ "	IPSC2454(N/T)GT	3,461.
	60"	15 ¹ / ₁₆ "	24 ¹ / ₄ "	IPSC2460(N/T)GT	3,728.
	66"	15 ¹ / ₁₆ "	24 ¹ / ₄ "	IPSC2466(N/T)GT	3,989.
	72"	15 ¹ / ₁₆ "	24 ¹ / ₄ "	IPSC2472(N/T)GT	4,467.
Screens Between Poles, 24"H Markerboard Laminate Both Sides  <i>(IPSC2448TGG shown)</i>	36"	15 ¹ / ₁₆ "	24 ¹ / ₄ "	IPSC2436(N/T)LL	1,364.
	42"	15 ¹ / ₁₆ "	24 ¹ / ₄ "	IPSC2442(N/T)LL	1,408.
	48"	15 ¹ / ₁₆ "	24 ¹ / ₄ "	IPSC2448(N/T)LL	1,422.
	54"	15 ¹ / ₁₆ "	24 ¹ / ₄ "	IPSC2454(N/T)LL	1,501.
	60"	15 ¹ / ₁₆ "	24 ¹ / ₄ "	IPSC2460(N/T)LL	1,511.
	66"	15 ¹ / ₁₆ "	24 ¹ / ₄ "	IPSC2466(N/T)LL	1,526.
	72"	15 ¹ / ₁₆ "	24 ¹ / ₄ "	IPSC2472(N/T)LL	1,734.

Order Information

- Interpole Screens**
1. Pattern Number
2. Frame Paint Finish

Order Code

Interpole Screens	
<i>Example:</i> IPSC2448TGT, 118T	
IP	Interpole
SC	Screen
24	Height
48	Width
T	Marker Tray
GT	Translucent Glass
118T	Bright White Paint

Included With

Interpole Screens
Attachment Hardware

Options

Interpole Screens
(N) = No Marker Tray
(T) = Integral Dual Marker Tray

Finish Options:
(LL) = Markerboard Laminate both sides
(GG) = Laminated Opaque Glass
(GT) = Laminated Translucent Glass
(LF) = Markerboard Laminate one side/Tackable Fabric other side

Frame Finish:
(AA) = Anodized Aluminum
(118T) = Bright White Paint

Interpole Screens

Markerboard/Tackable Fabric Combination

24" High

description	w	d	h	pattern no.	10	20	30	40	45
Screens Between Poles, 24"H	36"	15/16"	24 1/4"	IPSC2436(N/T)LF	\$1,434.	\$1,478.	\$1,506.	\$1,543.	\$1,578.
Markerboard Laminate One Side/ Tackable Fabric Opposite Side	42"	15/16"	24 1/4"	IPSC2442(N/T)LF	1,481.	1,526.	1,555.	1,593.	1,630.
	48"	15/16"	24 1/4"	IPSC2448(N/T)LF	1,501.	1,546.	1,576.	1,613.	1,650.
	54"	15/16"	24 1/4"	IPSC2454(N/T)LF	1,567.	1,615.	1,646.	1,688.	1,726.
	60"	15/16"	24 1/4"	IPSC2460(N/T)LF	1,597.	1,644.	1,676.	1,716.	1,758.
	66"	15/16"	24 1/4"	IPSC2466(N/T)LF	1,626.	1,674.	1,707.	1,747.	1,787.
	72"	15/16"	24 1/4"	IPSC2472(N/T)LF	1,775.	1,828.	1,864.	1,908.	1,953.



(IPSC2448TGG shown)

Order Information

- Interpole Screens**
1. Pattern Number
 2. Fabric Finish
 3. Frame Paint Finish

Order Code

Interpole Screens	
<i>Example:</i>	IPSC2448TGT, 118T
IP	Interpole
SC	Screen
24	Height
48	Width
T	Marker Tray
GT	Translucent Glass
118T	Bright White Paint

Included With

Interpole Screens
Attachment Hardware

Options

Interpole Screens
(N) = No Marker Tray
(T) = Integral Dual Marker Tray

Finish Options:
(LL) = Markerboard Laminate both sides
(GG) = Laminated Opaque Glass
(GT) = Laminated Translucent Glass
(LF) = Markerboard Laminate one side/Tackable Fabric other side

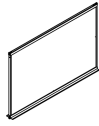
Frame Finish:
(AA) = Anodized Aluminum
(118T) = Bright White Paint

Interpole Screens

Markerboard Laminate or Glass

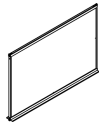
32" High

description	w	d	h	pattern no.	list
Screens Between Poles, 32"H Laminated Opaque Glass Both Sides	36"	15/16"	31 1/2"	IPSC3236(N/T)GG	\$3,438.
	42"	15/16"	31 1/2"	IPSC3242(N/T)GG	3,876.
	48"	15/16"	31 1/2"	IPSC3248(N/T)GG	4,274.
	54"	15/16"	31 1/2"	IPSC3254(N/T)GG	4,752.
	60"	15/16"	31 1/2"	IPSC3260(N/T)GG	5,160.
	66"	15/16"	31 1/2"	IPSC3266(N/T)GG	5,559.
	72"	15/16"	31 1/2"	IPSC3272(N/T)GG	6,173.



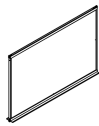
(IPSC3248TGG shown)

Screens Between Poles, 32"H Laminated Translucent Glass Both Sides	36"	15/16"	31 1/2"	IPSC3236(N/T)GT	3,024.
	42"	15/16"	31 1/2"	IPSC3242(N/T)GT	3,400.
	48"	15/16"	31 1/2"	IPSC3248(N/T)GT	3,728.
	54"	15/16"	31 1/2"	IPSC3254(N/T)GT	4,138.
	60"	15/16"	31 1/2"	IPSC3260(N/T)GT	4,478.
	66"	15/16"	31 1/2"	IPSC3266(N/T)GT	4,808.
	72"	15/16"	31 1/2"	IPSC3272(N/T)GT	5,365.



(IPSC3248TGG shown)

Screens Between Poles, 32"H Markerboard Laminate Both Sides	36"	15/16"	31 1/2"	IPSC3236(N/T)LL	1,385.
	42"	15/16"	31 1/2"	IPSC3242(N/T)LL	1,430.
	48"	15/16"	31 1/2"	IPSC3248(N/T)LL	1,449.
	54"	15/16"	31 1/2"	IPSC3254(N/T)LL	1,532.
	60"	15/16"	31 1/2"	IPSC3260(N/T)LL	1,548.
	66"	15/16"	31 1/2"	IPSC3266(N/T)LL	1,560.
	72"	15/16"	31 1/2"	IPSC3272(N/T)LL	1,773.



(IPSC3248TGG shown)

Order Information

- Interpole Screens**
 1. Pattern Number
 2. Frame Paint Finish

Order Code

Interpole Screens	
<i>Example:</i> IPSC3248TGT, 118T	
IP	Interpole
SC	Screen
32	Height
48	Width
T	Marker Tray
GT	Translucent Glass
118T	Bright White Paint

Included With

Interpole Screens
 Attachment Hardware

Options

Interpole Screens
 (N) = No Marker Tray
 (T) = Integral Dual Marker Tray

Finish Options:
 (LL) = Markerboard Laminate both sides
 (GG) = Laminated Opaque Glass
 (GT) = Laminated Translucent Glass
 (LF) = Markerboard Laminate one side/Tackable Fabric other side

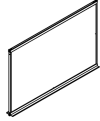
Frame Finish:
 (AA) = Anodized Aluminum
 (118T) = Bright White Paint

Interpole Screens

Markerboard/Tackable Fabric Combination

32" High

description	w	d	h	pattern no.	10	20	30	40	45
Screens Between Poles, 32"H	36"	15/16"	31 1/2"	IPSC3236(N/T)LF	\$1,490.	\$1,537.	\$1,565.	\$1,603.	\$1,640.
Markerboard Laminate One Side/ Tackable Fabric Opposite Side	42"	15/16"	31 1/2"	IPSC3242(N/T)LF	1,538.	1,585.	1,614.	1,652.	1,691.
	48"	15/16"	31 1/2"	IPSC3248(N/T)LF	1,567.	1,615.	1,646.	1,688.	1,726.
	54"	15/16"	31 1/2"	IPSC3254(N/T)LF	1,630.	1,678.	1,711.	1,750.	1,790.
	60"	15/16"	31 1/2"	IPSC3260(N/T)LF	1,648.	1,698.	1,732.	1,772.	1,814.
	66"	15/16"	31 1/2"	IPSC3266(N/T)LF	1,682.	1,733.	1,767.	1,810.	1,851.
	72"	15/16"	31 1/2"	IPSC3272(N/T)LF	1,864.	1,920.	1,957.	2,003.	2,050.



(IPSC3248TGG shown)

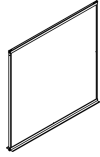
Order Information	Order Code	Included With	Options
Interpole Screens 1. Pattern Number 2. Fabric Finish 3. Frame Paint Finish	Interpole Screens <hr/> <i>Example:</i> IPSC3248TGT, 118T <hr/> IP Interpole <hr/> SC Screen <hr/> 32 Height <hr/> 48 Width <hr/> T Marker Tray <hr/> GT Translucent Glass <hr/> 118T Bright White Paint	Interpole Screens Attachment Hardware	Interpole Screens (N) = No Marker Tray (T) = Integral Dual Marker Tray Finish Options: (LL) = Markerboard Laminate both sides (GG) = Laminated Opaque Glass (GT) = Laminated Translucent Glass (LF) = Markerboard Laminate one side/Tackable Fabric other side Frame Finish: (AA) = Anodized Aluminum (118T) = Bright White Paint

Interpole Screens

Markerboard Laminate or Glass

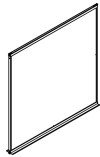
48" High

description	w	d	h	pattern no.	list
Screens Between Poles, 48"H Laminated Opaque Glass Both Sides	36"	15/16"	48"	IPSC4836(N/T)GG	\$4,877.
	42"	15/16"	48"	IPSC4842(N/T)GG	5,526.
	48"	15/16"	48"	IPSC4848(N/T)GG	6,128.
	54"	15/16"	48"	IPSC4854(N/T)GG	6,809.
	60"	15/16"	48"	IPSC4860(N/T)GG	7,424.
	66"	15/16"	48"	IPSC4866(N/T)GG	8,025.
	72"	15/16"	48"	IPSC4872(N/T)GG	8,856.



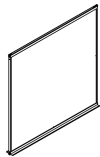
(IPSC4848TGG shown)

Screens Between Poles, 48"H Laminated Translucent Glass Both Sides	36"	15/16"	48"	IPSC4836(N/T)GT	4,230.
	42"	15/16"	48"	IPSC4842(N/T)GT	4,775.
	48"	15/16"	48"	IPSC4848(N/T)GT	5,275.
	54"	15/16"	48"	IPSC4854(N/T)GT	5,859.
	60"	15/16"	48"	IPSC4860(N/T)GT	6,365.
	66"	15/16"	48"	IPSC4866(N/T)GT	6,854.
	72"	15/16"	48"	IPSC4872(N/T)GT	7,582.



(IPSC4848TGG shown)

Screens Between Poles, 48"H Markerboard Laminate Both Sides	36"	15/16"	48"	IPSC4836(N/T)LL	1,486.
	42"	15/16"	48"	IPSC4842(N/T)LL	1,540.
	48"	15/16"	48"	IPSC4848(N/T)LL	1,565.
	54"	15/16"	48"	IPSC4854(N/T)LL	1,657.
	60"	15/16"	48"	IPSC4860(N/T)LL	1,678.
	66"	15/16"	48"	IPSC4866(N/T)LL	1,699.
	72"	15/16"	48"	IPSC4872(N/T)LL	1,921.



(IPSC4848TGG shown)

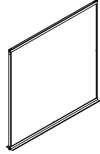
Order Information	Order Code	Included With	Options
Interpole Screens 1. Pattern Number 2. Frame Paint Finish	Interpole Screens <i>Example:</i> IPSC4848TGT, 118T IP Interpole SC Screen 48 Height 48 Width T Marker Tray GT Translucent Glass 118T Bright White Paint	Interpole Screens Attachment Hardware	Interpole Screens (N) = No Marker Tray (T) = Integral Dual Marker Tray Finish Options: (LL) = Markerboard Laminate both sides (GG) = Laminated Opaque Glass (GT) = Laminated Translucent Glass (LF) = Markerboard Laminate one side/Tackable Fabric other side Frame Finish: (AA) = Anodized Aluminum (118T) = Bright White Paint

Interpole Screens

Markerboard/Tackable Fabric Combination

48" High

description	w	d	h	pattern no.	10	20	30	40	45
Screens Between Poles, 48"H	36"	15/16"	48"	IPSC4836(N/T)LF	\$1,648.	\$1,698.	\$1,732.	\$1,772.	\$1,814.
Markerboard Laminate One Side/ Tackable Fabric Opposite Side	42"	15/16"	48"	IPSC4842(N/T)LF	1,716.	1,768.	1,804.	1,845.	1,889.
	48"	15/16"	48"	IPSC4848(N/T)LF	1,745.	1,798.	1,831.	1,876.	1,920.
	54"	15/16"	48"	IPSC4854(N/T)LF	1,827.	1,883.	1,919.	1,966.	2,010.
	60"	15/16"	48"	IPSC4860(N/T)LF	1,847.	1,902.	1,940.	1,985.	2,033.
	66"	15/16"	48"	IPSC4866(N/T)LF	2,011.	2,073.	2,113.	2,163.	2,212.
	72"	15/16"	48"	IPSC4872(N/T)LF	2,181.	2,246.	2,289.	2,343.	2,397.



(IPSC4848TGG shown)

Order Information

- Interpole Screens**
1. Pattern Number
 2. Fabric Finish
 3. Frame Paint Finish

Order Code

Interpole Screens	
<i>Example:</i>	IPSC4848TGT, 118T
IP	Interpole
SC	Screen
48	Height
48	Width
T	Marker Tray
GT	Translucent Glass
118T	Bright White Paint

Included With

Interpole Screens
Attachment Hardware

Options

Interpole Screens
(N) = No Marker Tray
(T) = Integral Dual Marker Tray

Finish Options:
(LL) = Markerboard Laminate both sides
(GG) = Laminated Opaque Glass
(GT) = Laminated Translucent Glass
(LF) = Markerboard Laminate one side/Tackable Fabric other side

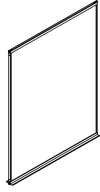
Frame Finish:
(AA) = Anodized Aluminum
(118T) = Bright White Paint

Interpole Screens

Markerboard Laminate or Glass

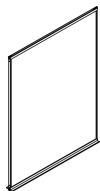
64" High

description	w	d	h	pattern no.	list
Screens Between Poles, 64"H Laminated Opaque Glass Both Sides	36"	15/16"	64.5"	IPSC6436(N/T)GG	\$4,951.
	42"	15/16"	64.5"	IPSC6442(N/T)GG	5,617.
	48"	15/16"	64.5"	IPSC6448(N/T)GG	6,240.
	54"	15/16"	64.5"	IPSC6454(N/T)GG	6,934.
	60"	15/16"	64.5"	IPSC6460(N/T)GG	7,574.



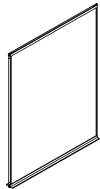
(IPSC6448TGG shown)

Screens Between Poles, 64"H Laminated Translucent Glass Both Sides	36"	15/16"	64.5"	IPSC6436(N/T)GT	4,266.
	42"	15/16"	64.5"	IPSC6442(N/T)GT	4,811.
	48"	15/16"	64.5"	IPSC6448(N/T)GT	5,331.
	54"	15/16"	64.5"	IPSC6454(N/T)GT	5,913.
	60"	15/16"	64.5"	IPSC6460(N/T)GT	6,438.



(IPSC6448TGG shown)

Screens Between Poles, 64"H Markerboard Laminate Both Sides	36"	15/16"	64.5"	IPSC6436(N/T)LL	1,555.
	42"	15/16"	64.5"	IPSC6442(N/T)LL	1,614.
	48"	15/16"	64.5"	IPSC6448(N/T)LL	1,642.
	54"	15/16"	64.5"	IPSC6454(N/T)LL	1,736.
	60"	15/16"	64.5"	IPSC6460(N/T)LL	1,766.



(IPSC6448TGG shown)

Order Information

- Interpole Screens**
 1. Pattern Number
 2. Frame Paint Finish

Order Code

Interpole Screens

Example: **IPSC6448TGT, 118T**

IP	Interpole
SC	Screen
64	Height
48	Width
T	Marker Tray
GT	Translucent Glass
118T	Bright White Paint

Included With

Interpole Screens
 Attachment Hardware

Options

Interpole Screens
 (N) = No Marker Tray
 (T) = Integral Dual Marker Tray

Finish Options:
 (LL) = Markerboard Laminate both sides
 (GG) = Laminated Opaque Glass
 (GT) = Laminated Translucent Glass
 (LF) = Markerboard Laminate one side/Tackable Fabric other side

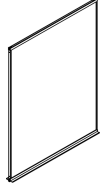
Frame Finish:
 (AA) = Anodized Aluminum
 (118T) = Bright White Paint

Interpole Screens

Markerboard/Tackable Fabric Combination

64" High

description	w	d	h	pattern no.	10	20	30	40	45
Screens Between Poles, 64"H	36"	15/16"	64.5"	IPSC6436(N/T)LF	\$1,782.	\$1,842.	\$1,873.	\$1,894.	\$2,009.
Markerboard Laminate One Side/ Tackable Fabric Opposite Side	42"	15/16"	64.5"	IPSC6442(N/T)LF	1,853.	1,908.	1,941.	1,960.	2,081.
	48"	15/16"	64.5"	IPSC6448(N/T)LF	1,910.	1,970.	1,999.	2,019.	2,137.
	54"	15/16"	64.5"	IPSC6454(N/T)LF	2,048.	2,104.	2,137.	2,156.	2,278.
	60"	15/16"	64.5"	IPSC6460(N/T)LF	2,075.	2,129.	2,161.	2,180.	2,302.



(IPSC6448TGG shown)

Order Information

- Interpole Screens**
1. Pattern Number
 2. Fabric Finish
 3. Frame Paint Finish

Order Code

Interpole Screens	
<i>Example:</i>	IPSC6448TGT, 118T
IP	Interpole
SC	Screen
64	Height
48	Width
T	Marker Tray
GT	Translucent Glass
118T	Bright White Paint

Included With

Interpole Screens
Attachment Hardware

Options

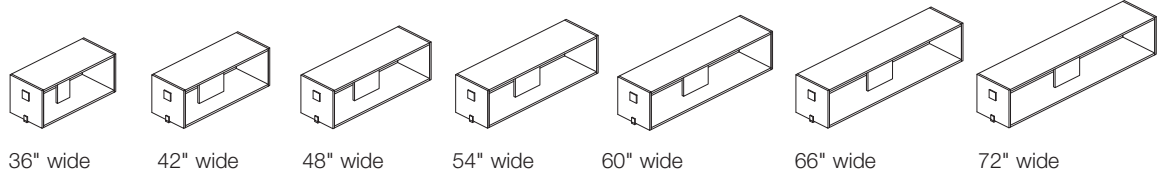
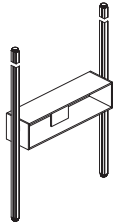
Interpole Screens
(N) = No Marker Tray
(T) = Integral Dual Marker Tray

Finish Options:
(LL) = Markerboard Laminate both sides
(GG) = Laminated Opaque Glass
(GT) = Laminated Translucent Glass
(LF) = Markerboard Laminate one side/Tackable Fabric other side

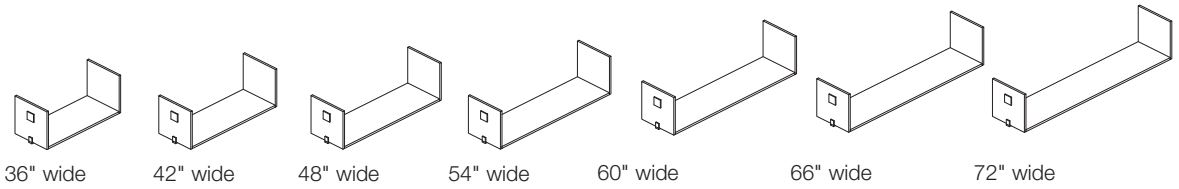
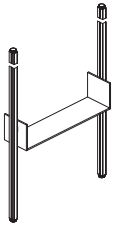
Frame Finish:
(AA) = Anodized Aluminum
(118T) = Bright White Paint

Horizontal Wood Open Cabinets

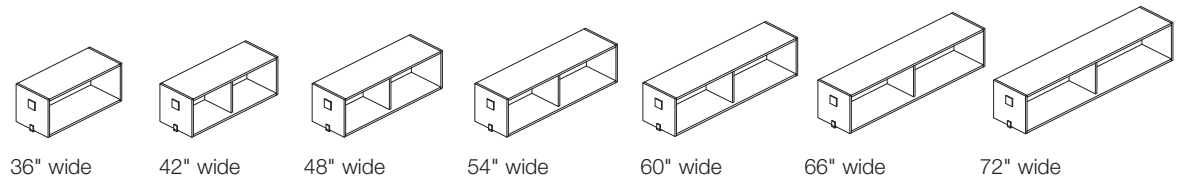
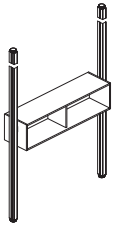
Interpole Open Shelf



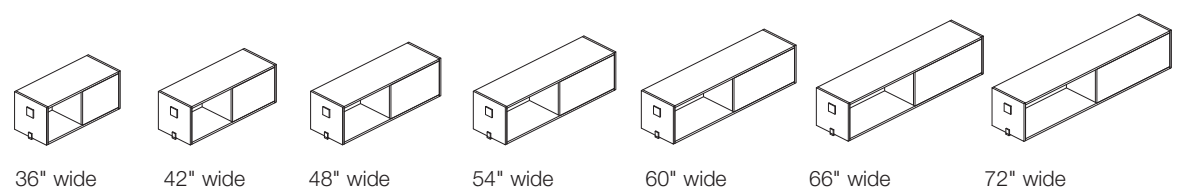
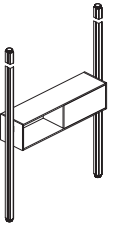
Interpole Open Shelf with Bookends



Interpole Open Shelf with Enclosed Back

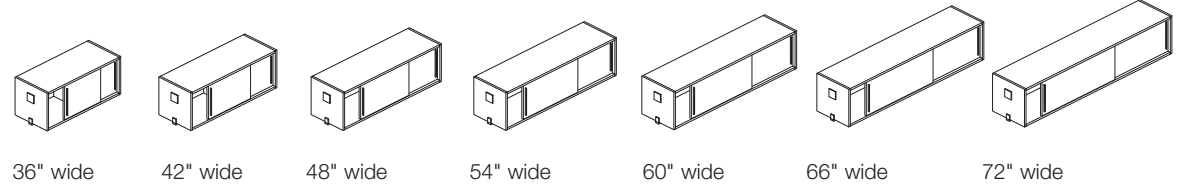
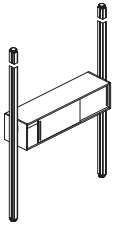


Interpole Shared Open Front with Enclosed Back

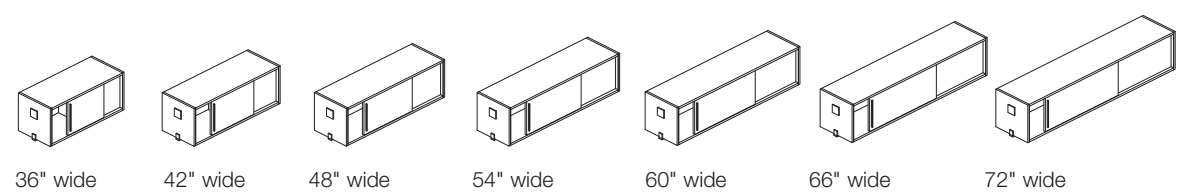
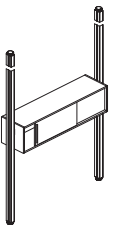


Horizontal Wood Enclosed Cabinets

Interpole Sliding Door Cabinet

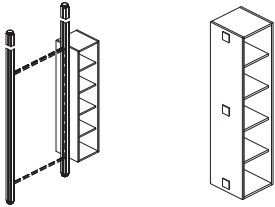


Interpole Shared Sliding Door Cabinet



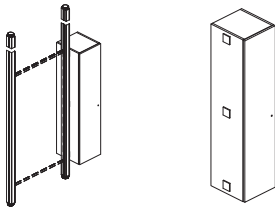
Vertical Wood Open Cabinets

Interpole Vertical Cabinet, Open with Four Shelves

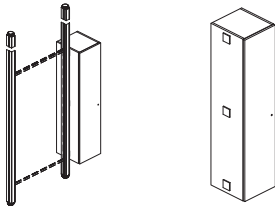


Vertical Wood Enclosed Cabinets

Interpole Vertical Cabinet, Door with Four Shelves



Interpole Vertical Cabinet, Wardrobe



Interpole Horizontal Open Cabinets

Interpole horizontal open cabinets mount at any height between two poles to provide storage that supports and defines workstations, offices or activity spaces. Open cabinets are available in four configurations: open shelf, open shelf with bookends, open shelf with enclosed back, and shared open front with enclosed back. All open horizontal cabinets are available in 36", 42", 48", 54", 60", 66" and 72" widths.

Interpole cabinets include mounting kit and hardware to secure case between two poles. Mounting kit includes two L-brackets, two $\frac{15}{16}$ " thick dove-tail spacers and inserts and a horizontal steel stiffener.

Open shelf cabinets have a center partition parallel to the open front and back that provides structural support and serves to filter sightlines through the cabinet. Cabinets 36"W have a 6" wide center panel, cabinets 42" and wider have a 12" wide center panel. Support panel and all interior surfaces can be specified in a different laminate than exterior surfaces.

Open shelf with bookends includes a bottom shelf and two vertical side gables. The exterior surfaces include the inside of gables and top of shelf. Exterior surfaces can be specified in any Knoll core laminate or veneer.

Open shelf with enclosed back includes a full back, recessed $\frac{1}{2}$ " for option fabric insert, specified separately. Both sides of recessed backs are considered interior surfaces, if specifying two-tone laminate finishes.

Shared open front with enclosed back cabinets include flush backs. The exterior face of flush backs will match the exterior core laminate finish.

All Interpole horizontal cabinets are 15"H x 15 $\frac{5}{8}$ "D, with 13 $\frac{1}{2}$ " clear interior height for binder storage. Cabinet sides, top and bottom are $\frac{3}{4}$ " thick, in laminate or veneer, or a combination of laminates.

Interpole horizontal cabinets plan with a 1 $\frac{1}{2}$ " high gap between the top shelf of the lower cabinet and the bottom shelf of the cabinet above. The $\frac{1}{2}$ " high horizontal stiffener on the underside of a cabinet is located within the 1 $\frac{1}{2}$ " high spacing between cabinets.

Construction

Case is composed of $\frac{3}{4}$ " thick wood panels, with discreet glue-and-dowel connections.

Case mounts between poles with two cast aluminum spacers and inserts, two cast aluminum L-brackets, one horizontal stiffener rail and flex nuts. Horizontal shelf stiffener is a bent steel tube.

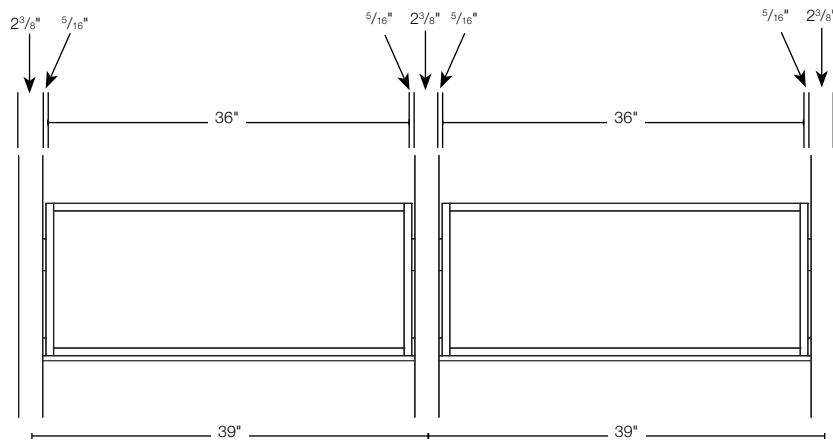
Specification Options

Specify laminate (L), "mixed" two-tone laminate (L) or veneer (V) case.

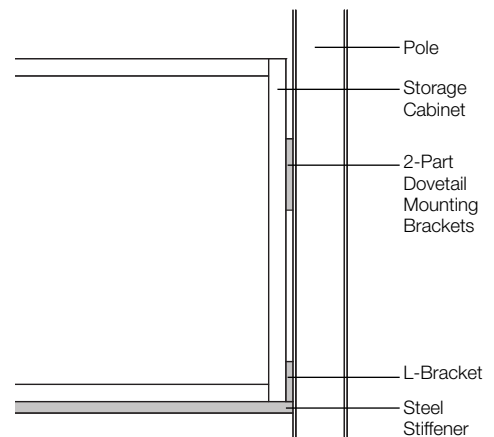
Case finish exterior is available in any Knoll core laminate, patterned or woodgrain laminate up to 60"W, or veneer. When the case exterior is laminate, case interior and inset back are available in any Knoll Core or Accent laminate. When an Accent laminate is specified, the edgeband will match the exterior core laminate finish.

Mounting brackets are available in any Knoll Core paint finish, Dark Red or Slate Blue.

Specify optional fabric inserts separately.



Interpole Mounted Open Shelf with Enclosed Back Front Elevation



Detail of Interpole Horizontal Cabinet Mounting Hardware

Interpole Horizontal Enclosed Cabinets

Interpole horizontal enclosed wood cabinets mount at any level between two poles to provide storage that supports and defines workstations, offices or activity spaces. Enclosed cabinets are available in two configurations: sliding door cabinet case with overlapping sliding doors or shared sliding door cabinets. All enclosed horizontal cabinets are available in 36", 42", 48", 54", 60", 66" and 72" widths.

Interpole cabinets include mounting kit and hardware to secure case between two poles. Mounting kit includes two L-brackets, two $\frac{15}{16}$ " thick dove-tail spacers and inserts, and a horizontal steel stiffener.

Sliding door cabinets with overlapping sliding doors have two half-width doors, in laminate or veneer surface and a full back, recessed $\frac{1}{2}$ " for optional fabric insert, specified separately. Sliding door cabinets include a center partition for structure.

Shared sliding door cabinets have a sliding door on each face overlapping the recessed back of the cabinet facing the other side. Cabinets can be specified with both openings on the left or both on the right side.

Enclosed Interpole cabinets can be specified in all laminate or veneer or mixed surface laminate: all interior surfaces of laminate cabinet can be specified in a contrasting core or accent laminate. Partition and inset back are considered interior surfaces on both faces.

All Interpole horizontal cabinets are 15"H x 15 $\frac{5}{8}$ "D, with 13 $\frac{1}{2}$ " clear interior height for binder storage. Cabinet sides, top and bottom are $\frac{3}{4}$ " thick, in laminate or veneer, or a combination of laminates.

Interpole horizontal cabinets plan with a 1 $\frac{1}{2}$ " high gap between the top shelf of the lower cabinet and the bottom shelf of the cabinet above. The $\frac{1}{2}$ " high horizontal stiffener on the underside of a cabinet is located within the 1 $\frac{1}{2}$ " high spacing between cabinets.

Construction

Case is composed of $\frac{3}{4}$ " thick wood panels, with discreet glue-and-dowel connections.

Case mounts between poles with two cast aluminum spacers and inserts, two cast aluminum L-brackets, one horizontal stiffener rail and flex nuts. Horizontal shelf stiffener is a bent steel tube.

Specification Options

Specify laminate (L), "mixed" two-tone laminate (L) or veneer (V) case.

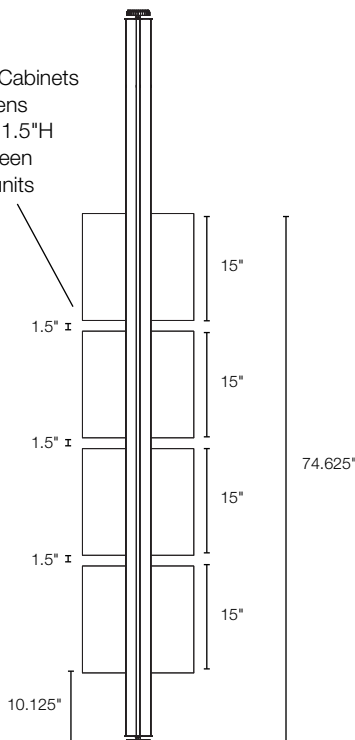
Case finish exterior is available in any Knoll core laminate, patterned or woodgrain laminate up to 60"W, or veneer. When the case exterior is laminate, case interior and inset back are available in any Knoll Core or Accent laminate. When an Accent laminate is specified, the edgeband will match the exterior core laminate finish.

Door sets are specified separately to enable any combination of wood or laminate case and doors. Specify door front sets in any Knoll Core laminate (L) or veneer (V).

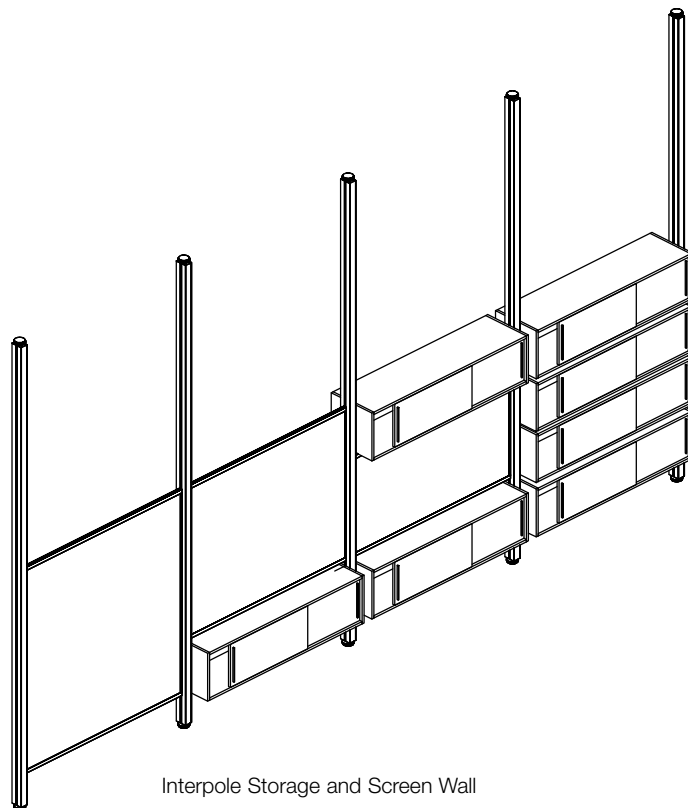
Pulls and mounting brackets are available in any Knoll Core paint finish, Dark Red or Slate Blue.

Specify optional fabric inserts separately.

Interpole Cabinets and Screens plan with 1.5"H gap between stacked units

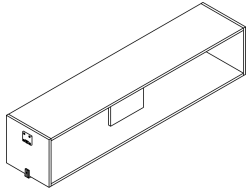
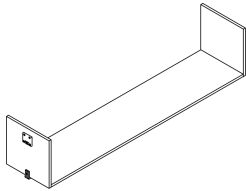
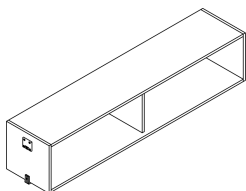


Interpole Storage Wall End Elevation



Interpole Storage and Screen Wall

Interpole Horizontal Wood Storage For Mounting Between Two Poles Open Cabinets

description	w	d	h	pattern no.	All Same Laminate (Core Lam.) (L)	Different Laminate Case/Interior (Core Lam.) (L)	Different Laminate Case/Interior (Accent Lam.) (L)	V1 (V)	V2 (V)	V3 (V)
 <p>Interpole Open Shelf</p>	36"	15 ⁵ / ₈ "	15"	IPSOS3615()	\$1,759.	\$1,917.	\$2,486.	\$2,486.	\$2,833.	\$3,498.
	42"	15 ⁵ / ₈ "	15"	IPSOS4215()	1,788.	1,986.	2,598.	2,598.	2,961.	3,658.
	48"	15 ⁵ / ₈ "	15"	IPSOS4815()	1,915.	2,085.	2,737.	2,737.	3,116.	3,846.
	54"	15 ⁵ / ₈ "	15"	IPSOS5415()	2,101.	2,277.	2,905.	2,905.	3,289.	4,105.
	60"	15 ⁵ / ₈ "	15"	IPSOS6015()	2,188.	2,369.	2,971.	2,971.	3,360.	4,261.
	66"	15 ⁵ / ₈ "	15"	IPSOS6615()	2,254.	2,441.	3,134.	3,134.	3,551.	4,506.
	72"	15 ⁵ / ₈ "	15"	IPSOS7215()	2,319.	2,515.	3,297.	3,297.	3,738.	4,749.
	 <p>Interpole Open Shelf with Bookends</p>	36"	15 ⁵ / ₈ "	15"	IPSOB3615()	1,187.	n/a	n/a	1,721.	1,979.
42"		15 ⁵ / ₈ "	15"	IPSOB4215()	1,202.	n/a	n/a	1,740.	2,000.	2,347.
48"		15 ⁵ / ₈ "	15"	IPSOB4815()	1,285.	n/a	n/a	1,827.	2,102.	2,468.
54"		15 ⁵ / ₈ "	15"	IPSOB5415()	1,560.	n/a	n/a	2,106.	2,409.	2,808.
60"		15 ⁵ / ₈ "	15"	IPSOB6015()	1,914.	n/a	n/a	2,476.	2,833.	3,307.
66"		15 ⁵ / ₈ "	15"	IPSOB6615()	2,079.	n/a	n/a	2,647.	3,030.	3,538.
72"		15 ⁵ / ₈ "	15"	IPSOB7215()	2,139.	n/a	n/a	2,663.	3,047.	3,560.
 <p>Interpole Open Shelf with Enclosed Back</p>		36"	15 ⁵ / ₈ "	15"	IPSOE3615()	1,808.	1,981.	2,505.	2,563.	2,855.
	42"	15 ⁵ / ₈ "	15"	IPSOE4215()	1,864.	2,039.	2,622.	2,681.	3,030.	3,671.
	48"	15 ⁵ / ₈ "	15"	IPSOE4815()	1,922.	2,097.	2,738.	2,798.	3,216.	3,903.
	54"	15 ⁵ / ₈ "	15"	IPSOE5415()	2,097.	2,213.	2,913.	3,030.	3,495.	4,195.
	60"	15 ⁵ / ₈ "	15"	IPSOE6015()	2,331.	2,563.	3,261.	3,437.	3,962.	4,720.
	66"	15 ⁵ / ₈ "	15"	IPSOE6615()	2,388.	2,622.	3,379.	3,495.	4,020.	4,837.
	72"	15 ⁵ / ₈ "	15"	IPSOE7215()	2,448.	2,681.	3,495.	3,553.	4,079.	4,894.

Ordering Information

Interpole Open Shelf

1. Pattern Number
2. Exterior Case Finish
3. Interior Case Finish (Laminate only)
4. Bracket Paint Finish

Order Code

Interpole Open Shelf

Example: **IPSOS6015L, 118, 118, 118T**

IPS	Interpole Storage
OS	Open Shelf
60	Width
15	Depth
L	Laminate
118	Bright White Laminate
118	Bright White Laminate
118T	Bright White Paint

Included With

Interpole Open Shelf

Mounting Brackets
Hardware

Options

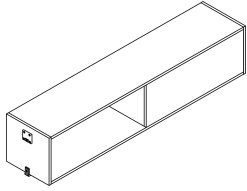
Interpole Open Shelf

Case Finish Options:

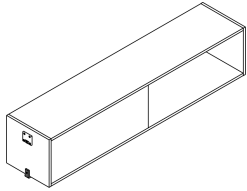
(L) = All the same or different laminates for the exterior and interior case
(V) = All the same veneer for the exterior and interior case

Interpole Horizontal Wood Storage For Mounting Between Two Poles Shared Open Cabinets

description	w	d	h	pattern no.	All Same	Different	Different	V1	V2	V3
					Laminate (Core Lam) (L)	Laminate Case/Interior (Core Lam.) (L)	Laminate Case/Interior (Accent Lam.) (L)			
Interpole Shared Open Front with Enclosed Back, Open on Left	36"	15 5/8"	15"	IPSSOEL3615()	\$1,808.	\$1,981.	\$2,505.	\$2,798.	\$3,147.	\$3,846.
	42"	15 5/8"	15"	IPSSOEL4215()	1,864.	2,039.	2,622.	2,855.	3,205.	4,020.
	48"	15 5/8"	15"	IPSSOEL4815()	1,922.	2,097.	2,738.	2,913.	3,321.	4,195.
	54"	15 5/8"	15"	IPSSOEL5415()	2,097.	2,272.	2,913.	3,087.	3,495.	4,486.
	60"	15 5/8"	15"	IPSSOEL6015()	2,331.	2,622.	3,261.	3,495.	4,079.	4,951.
	66"	15 5/8"	15"	IPSSOEL6615()	2,388.	2,798.	3,379.	3,611.	4,137.	5,126.
	72"	15 5/8"	15"	IPSSOEL7215()	2,448.	2,855.	3,495.	3,671.	4,195.	5,244.



Interpole Shared Open Front with Enclosed Back, Open on Right	36"	15 5/8"	15"	IPSSOER3615()	1,808.	1,981.	2,505.	2,798.	3,147.	3,846.
	42"	15 5/8"	15"	IPSSOER4215()	1,864.	2,039.	2,622.	2,855.	3,205.	4,020.
	48"	15 5/8"	15"	IPSSOER4815()	1,922.	2,097.	2,738.	2,913.	3,321.	4,195.
	54"	15 5/8"	15"	IPSSOER5415()	2,097.	2,272.	2,913.	3,087.	3,495.	4,486.
	60"	15 5/8"	15"	IPSSOER6015()	2,331.	2,622.	3,261.	3,495.	4,079.	4,951.
	66"	15 5/8"	15"	IPSSOER6615()	2,388.	2,798.	3,379.	3,611.	4,137.	5,126.
	66"	15 5/8"	15"	IPSSOER7215()	2,448.	2,855.	3,495.	3,671.	4,195.	5,244.



Ordering Information

Interpole Shared Open Shelf

1. Pattern Number
2. Exterior Case Finish
3. Interior Case Finish (Laminate only)
4. Bracket Paint Finish

Order Code

Interpole Open Shelf

Example: **IPSSOEL6015L, 118, 118, 118T**

IPS	Interpole Storage
SOEL	Shared Open Shelf, Open Left
60	Width
15	Depth
L	Laminate
118	Bright White Laminate
118	Bright White Laminate
118T	Bright White Paint

Included With

Interpole Shared Open Shelf

Mounting Brackets
Hardware

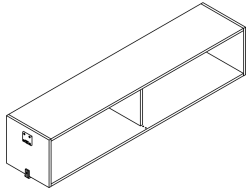
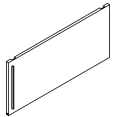
Options

Interpole Shared Open Shelf

Case Finish Options:

(L) = All the same or different laminates for the exterior and interior case
(V) = All the same veneer for the exterior and interior case

Interpole Horizontal Wood Storage For Mounting Between Two Poles Sliding Door Cabinets

description	w	d	h	pattern no.	All Same	Different	Different	V1	V2	V3
					Laminate	Laminate	Laminate			
					(Core Lam)	(Core Lam.)	(Accent Lam.)	(V)	(V)	(V)
 Interpole Sliding Door Cabinet Case	36"	15 3/8"	15"	IPSSD3615()	\$2,075.	\$2,265.	\$2,929.	\$2,929.	\$3,340.	\$4,132.
	42"	15 3/8"	15"	IPSSD4215()	2,137.	2,334.	3,037.	3,037.	3,467.	4,290.
	48"	15 3/8"	15"	IPSSD4815()	2,231.	2,433.	3,176.	3,176.	3,623.	4,478.
	54"	15 3/8"	15"	IPSSD5415()	2,322.	2,530.	3,285.	3,285.	3,703.	4,660.
	60"	15 3/8"	15"	IPSSD6015()	2,415.	2,681.	3,553.	3,553.	4,079.	5,011.
	66"	15 3/8"	15"	IPSSD6615()	2,478.	2,855.	3,671.	3,671.	4,195.	5,185.
	72"	15 3/8"	15"	IPSSD7215()	2,545.	2,913.	3,788.	3,788.	4,252.	5,302.
 Sliding Door Set for Interpole Sliding Door Cabinet Case	36"	3/4"	15"	IPSSDK36()	641.	n/a	n/a	1,003.	1,153.	1,441.
	42"	3/4"	15"	IPSSDK42()	697.	n/a	n/a	1,035.	1,192.	1,487.
	48"	3/4"	15"	IPSSDK48()	754.	n/a	n/a	1,056.	1,213.	1,621.
	54"	3/4"	15"	IPSSDK54()	794.	n/a	n/a	1,113.	1,282.	1,648.
	60"	3/4"	15"	IPSSDK60()	817.	n/a	n/a	1,140.	1,317.	1,715.
	66"	3/4"	15"	IPSSDK66()	859.	n/a	n/a	1,207.	1,387.	1,809.
	72"	3/4"	15"	IPSSDK72()	881.	n/a	n/a	1,241.	1,423.	1,853.

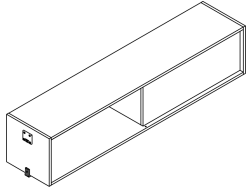
Ordering Information	Order Code	Included With	Options
Interpole Shared Open Shelf 1. Pattern Number 2. Exterior Case Finish 3. Interior Case Finish (Laminate only) 4. Bracket Paint Finish Sliding Doors 1. Pattern Number 2. Door Finish 3. Pull Finish	Interpole Shared Open Shelf <i>Example:</i> IPSSOEL6015L, 118, 118T IPS Interpole Storage SOEL Shared Open Shelf, Open Left 60 Width 15 Depth L Laminate 118 Bright White Laminate 118 Bright White Laminate 118T Bright White Paint Sliding Doors <i>Example:</i> IPSSDK60L 118, 118T IPS Interpole Storage SDK Sliding Door Kit 60 Width L Laminate 118 Bright White Laminate 118T Bright White Paint	Interpole Shared Open Shelf Mounting Brackets Hardware Sliding Doors Hardware	Interpole Shared Open Shelf Case Finish Options: (L) = All the same or different laminates for the exterior and interior case (V) = All the same veneer for the exterior and interior case Sliding Doors Door Finish Option: (L) = Laminate (V) = Veneer Door pulls are available in Knoll core paints, Dark Red (130) and Slate Blue (131) paint finishes.

Interpole Horizontal Wood Storage

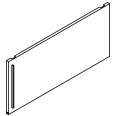
For Mounting Between Two Poles

Shared Sliding Door Cabinets with Opening on Left

description	w	d	h	pattern no.	All Same	Different	Different	V1	V2	V3
					Laminate (Core Lam.) (L)	Case/ Interior (Core Lam.) (L)	Laminate Case/Interior (Accent Lam.) (L)			
Interpole Shared Sliding Door Cabinet Case, Opening on Left	36"	15 5/8"	15"	IPSSSDL3615()	\$2,000.	\$2,183.	\$3,174.	\$3,174.	\$3,625.	\$4,659.
	42"	15 5/8"	15"	IPSSSDL4215()	2,066.	2,254.	3,242.	3,242.	3,699.	4,757.
	48"	15 5/8"	15"	IPSSSDL4815()	2,160.	2,283.	3,334.	3,334.	3,803.	4,885.
	54"	15 5/8"	15"	IPSSSDL5415()	2,451.	2,637.	3,560.	3,560.	3,888.	5,204.
	60"	15 5/8"	15"	IPSSSDL6015()	2,740.	2,988.	3,784.	3,784.	4,313.	5,527.
	66"	15 5/8"	15"	IPSSSDL6615()	2,806.	3,060.	3,914.	3,914.	4,463.	5,721.
	72"	15 5/8"	15"	IPSSSDL7215()	2,871.	3,130.	4,044.	4,044.	4,613.	5,916.



description	w	d	h	pattern no.	All Same	Different	Different	V1	V2	V3
					Laminate (Core Lam.) (L)	Case/ Interior (Core Lam.) (L)	Laminate Case/Interior (Accent Lam.) (L)	(V)	(V)	(V)
Sliding Doors Kit for Interpole Mounted Shared Sliding Door Cabinet Case, Opening on Left	36"	3/4"	15"	IPSSDKL36()	718.	n/a	n/a	1,010.	1,164.	1,511.
	42"	3/4"	15"	IPSSDKL42()	751.	n/a	n/a	1,043.	1,201.	1,559.
	48"	3/4"	15"	IPSSDKL48()	783.	n/a	n/a	1,076.	1,239.	1,609.
	54"	3/4"	15"	IPSSDKL54()	794.	n/a	n/a	1,113.	1,282.	1,648.
	60"	3/4"	15"	IPSSDKL60()	817.	n/a	n/a	1,140.	1,317.	1,715.
	66"	3/4"	15"	IPSSDKL66()	859.	n/a	n/a	1,207.	1,387.	1,809.
	72"	3/4"	15"	IPSSDKL72()	881.	n/a	n/a	1,241.	1,423.	1,853.



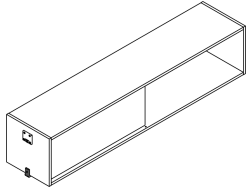
Ordering Information	Order Code	Included With	Options
Interpole Shared Open Shelf	Interpole Shared Open Shelf	Interpole Shared Open Shelf	Interpole Shared Open Shelf
1. Pattern Number	<i>Example:</i> IPSSOEL6015L, 118, 118T	Mounting Brackets	Case Finish Options:
2. Exterior Case Finish	IPS Interpole Storage	Hardware	(L) = All the same or different laminates for the exterior and interior case
3. Interior Case Finish (Laminate only)	SOEL Shared Open Shelf, Open Left	Sliding Doors	(V) = All the same veneer for the exterior and interior case
4. Bracket Paint Finish	60 Width	Hardware	Sliding Doors
Sliding Doors	15 Depth		Door Finish Option:
1. Pattern Number	L Laminate		(L) = Laminate
2. Door Finish	118 Bright White Laminate		(V) = Veneer
3. Pull Finish	118 Bright White Laminate		Door pulls are available in Knoll core paints, Dark Red (130) and Slate Blue (131) paint finishes.
	118T Bright White Paint		
	Sliding Doors		
	<i>Example:</i> IPSSDK60L 118, 118T		
	IPS Interpole Storage		
	SDK Sliding Door Kit		
	60 Width		
	L Laminate		
	118 Bright White Laminate		
	118T Bright White Paint		

Interpole Horizontal Wood Storage

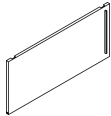
For Mounting Between Two Poles

Shared Sliding Door Cabinets with Opening on Right

description	w	d	h	pattern no.	All Same	Different	Different	V1	V2	V3
					Laminate (Core Lam.) (L)	Laminate Case/ Interior (Core Lam.) (L)	Laminate Case/Interior (Accent Lam.) (L)			
Interpole Shared Sliding Door Cabinet Case, Opening on Right	36"	15 5/8"	15"	IPSSDR3615()	\$2,000.	\$2,183.	\$3,174.	\$3,174.	\$3,625.	\$4,659.
	42"	15 5/8"	15"	IPSSDR4215()	2,066.	2,254.	3,242.	3,242.	3,699.	4,757.
	48"	15 5/8"	15"	IPSSDR4815()	2,160.	2,283.	3,334.	3,334.	3,803.	4,885.
	54"	15 5/8"	15"	IPSSDR5415()	2,451.	2,637.	3,560.	3,560.	3,888.	5,204.
	60"	15 5/8"	15"	IPSSDR6015()	2,740.	2,988.	3,784.	3,784.	4,313.	5,527.
	66"	15 5/8"	15"	IPSSDR6615()	2,806.	3,060.	3,914.	3,914.	4,463.	5,721.
	72"	15 5/8"	15"	IPSSDR7215()	2,871.	3,130.	4,044.	4,044.	4,613.	5,916.



Sliding Doors Kit for Interpole Mounted Shared Sliding Door Cabinet Case, Opening on Right	36"	3/4"	15"	IPSSDKR36()	718.	n/a	n/a	1,010.	1,164.	1,511.
	42"	3/4"	15"	IPSSDKR42()	751.	n/a	n/a	1,043.	1,201.	1,559.
	48"	3/4"	15"	IPSSDKR48()	783.	n/a	n/a	1,076.	1,239.	1,609.
	54"	3/4"	15"	IPSSDKR54()	794.	n/a	n/a	1,113.	1,282.	1,648.
	60"	3/4"	15"	IPSSDKR60()	817.	n/a	n/a	1,140.	1,317.	1,715.
	66"	3/4"	15"	IPSSDKR66()	859.	n/a	n/a	1,207.	1,387.	1,809.
	72"	3/4"	15"	IPSSDKR72()	881.	n/a	n/a	1,241.	1,423.	1,853.



Ordering Information	Order Code	Included With	Options
Interpole Shared Open Shelf 1. Pattern Number 2. Exterior Case Finish 3. Interior Case Finish (Laminate only) 4. Bracket Paint Finish Sliding Doors 1. Pattern Number 2. Door Finish 3. Pull Finish	Interpole Shared Open Shelf <i>Example:</i> IPSSOEL6015L, 118, 118, 118T IPS Interpole Storage SOEL Shared Open Shelf, Open Left 60 Width 15 Depth L Laminate 118 Bright White Laminate 118 Bright White Laminate 118T Bright White Paint Sliding Doors <i>Example:</i> IPSSDK60L 118, 118T IPS Interpole Storage SDK Sliding Door Kit 60 Width L Laminate 118 Bright White Laminate 118T Bright White Paint	Interpole Shared Open Shelf Mounting Brackets Hardware Sliding Doors Hardware	Interpole Shared Open Shelf Case Finish Options: (L) = All the same or different laminates for the exterior and interior case (V) = All the same veneer for the exterior and interior case Sliding Doors Door Finish Option: (L) = Laminate (V) = Veneer Door pulls are available in Knoll core paints, Dark Red (130) and Slate Blue (131) paint finishes.

Interpole Horizontal Wood Storage

Fabric Inserts

Planning Guidelines and Specifications

Fabric Inserts for Interpole Cabinets

Fabric back insert is tackable fabric panel, nominal 1/2" thick, that fits in the recess behind the back of Interpole horizontal cabinets. Fabric back inserts are 1 1/2" less wide and 1 1/2" less high than cabinet to fit between sides, top and bottom.

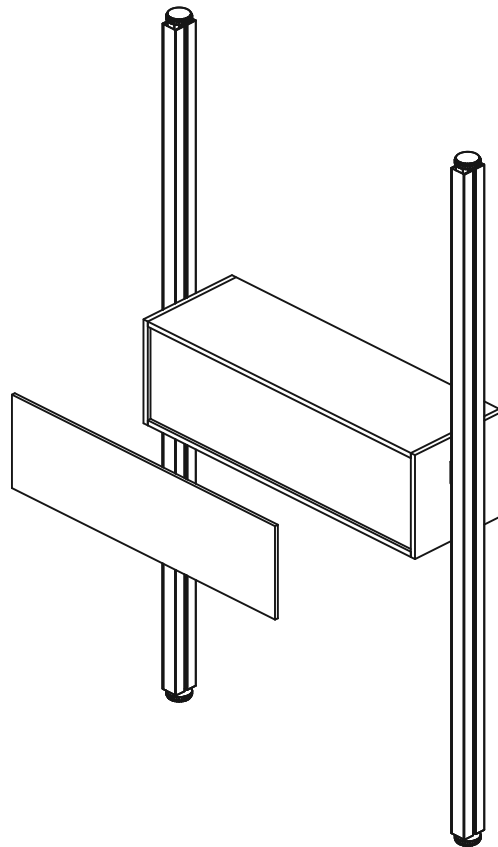
Fabric back insert is not applicable on cabinets without a recessed back.

Construction

Fabric back insert is 1/2" tackable tile with fabric applied on exterior surface and edges. Fabric inserts are installed using double-sided adhesive tape, which is included. Two fabric inserts are included for cabinets 60" and wider applications.

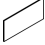
Specification Options

Fabric inserts may be specified in any Antenna approved textile. For Customers Own Material (COM) applications, see yardage chart in front of Price List.



Fabric Inserts are Installed in the Back of Interpole Horizontal Cabinets

Interpole Horizontal Wood Storage
Fabric Inserts
For Interpole Mounted Cabinets

description	w	d	h	pattern no.	grade				
					10	20	30	40	45
Fabric Inserts for Interpole Horizontal Cabinets	34 1/2"	1/2"	13 1/2"	IPSI1536F	\$320.	\$356.	\$398.	\$402.	\$430.
	40 1/2"	1/2"	13 1/2"	IPSI1542F	333.	362.	402.	408.	435.
	46 1/2"	1/2"	13 1/2"	IPSI1548F	333.	362.	402.	408.	435.
	52 1/2"	1/2"	13 1/2"	IPSI1554F	338.	369.	412.	415.	443.
	58 1/2"	1/2"	13 1/2"	IPSI1560F	575.	632.	639.	698.	730.
	64 1/2"	1/2"	13 1/2"	IPSI1566F	582.	635.	702.	711.	736.
	70 1/2"	1/2"	13 1/2"	IPSI1572F	582.	635.	702.	711.	736.

Ordering Information

Fabric Inserts

1. Pattern Number
2. Fabric

Order Code

Fabric Inserts

Example: **IPSI1560F, W1077**

IPSI Fabric Insert

15 High

60 Wide

F Tackable Fabric

W1077 Element

Included With

Fabric Inserts

Options

Fabric Inserts

Interpole Vertical Open Cabinets

Interpole vertical open cabinets mount at any level using the slot on one side of a pole, providing compact open shelf storage for open plan, private offices or activity spaces. Interpole vertical cabinets are 64.5"H, 15"W and 15-5/8"D.

Interpole vertical cabinets include the mounting kit and hardware to secure case on one side of a pole.

Vertical open cabinets include four adjustable shelves and a full back, recessed 1/2" for optional fabric insert, specified separately.

Vertical cabinets can be specified with mounts on either left or right side gables to mount to the side of a pole.

Vertical cabinets mount at either end of a sequence of two or more poles connected by screens or horizontal storage components.

Construction

Case is composed of 3/4" thick wood panels, with discreet glue-and-dowel connections.

Case mounts to poles with three 15/16" thick cast aluminum dove-tail spacers and inserts, flex nuts and an anti-dislodgement bracket with set screw.

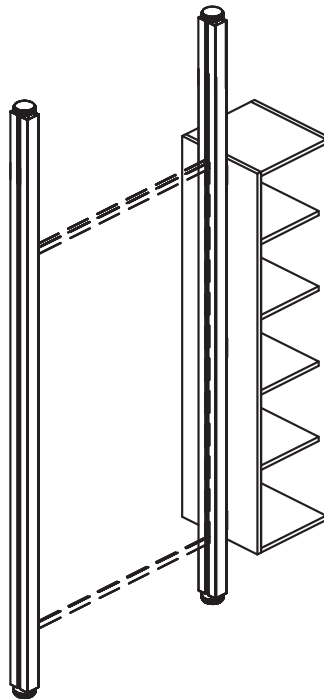
Specification Options

Specify laminate (L), "mixed" two-tone laminate (L) or veneer (V) case.

Case finish exterior is available in any Knoll core laminate or veneer. When the case exterior is laminate, case interior, shelves and inset back are available in any Knoll Core or Accent laminate. When an Accent laminate is specified, the edgeband will match the exterior core laminate finish.

Mounting brackets are available in any Knoll Core paint finish, Dark Red or Slate Blue.

Specify optional fabric inserts separately.



Interpole Vertical Open Cabinet with Mounts on Left side

Interpole Vertical Enclosed Cabinets

Interpole vertical enclosed cabinets mount at any level using the slot on one side of a pole, providing compact shelf or personal storage for open plan, private offices or activity spaces. Vertical enclosed cabinets are available in two configurations: vertical cabinet with four shelves, and vertical wardrobe cabinet. Interpole vertical enclosed cabinets are 64.5"H, 15"W and 16 1/2"D.

Interpole vertical cabinets include the mounting kit and hardware to secure case on one side of a pole.

All vertical enclosed cabinets have one full-height hinge door and a full back, recessed 1/2" for optional fabric insert, specified separately. Vertical cabinets can be specified with door hinges on either left or right side of cabinet as well as mounts on either left or right side gables to mount to the side of a pole.

Vertical enclosed cabinets with hinged door include four adjustable shelves.

Vertical wardrobe cabinets include a coat hook and adjustable lower shelf behind hinge door.

Vertical cabinets mount at either end of a sequence of two or more poles connected by screens or horizontal storage components.

Construction

Case is composed of 3/4" thick wood panels, with discreet glue-and-dowel connections.

Case mounts to poles with three 15/16" thick cast aluminum dove-tail spacers and inserts, flex nuts and an anti-dislodgement bracket with set screw.

Hinged doors open 135 degrees for easy access.

Specification Options

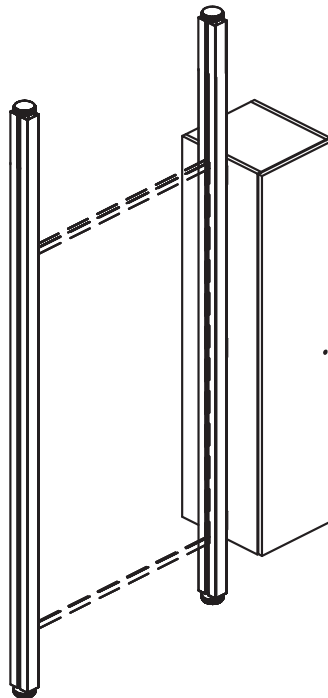
Specify laminate (L), laminate case with veneer front (M) or veneer (V) case. Cabinets are available either locking (L) or non-locking (N).

Case finish exterior is available in any Knoll core laminate or veneer. When the case exterior is laminate, specify door front finish in any Knoll Core laminate (L) or veneer (V).

Specify pull type: Edge (E) Insert (I) or Loop (O). Edge pulls are available in any Knoll Core paint finish, Dark Red, Slate Blue or in Chrome (PD). Loop pulls are available in any Knoll Core paint finish, Dark Red or Slate Blue. Insert pulls are available in Chrome (PD).

Mounting brackets are available in any Knoll Core paint finish, Dark Red or Slate Blue.

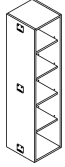
Specify optional fabric inserts separately.



Interpole Vertical Cabinet with Hinges and Mounts on Left Side

Interpole Vertical Wood Storage For Mounting on Side Slot of Pole Open Cabinets

description	w	d	h	pattern no.	All Same Laminate (Core Lam.) (L)	Different Laminate Case/Interior (Core Lam.) (L)	Different Laminate Case/Interior (Accent Lam.) (L)	V1 (V)	V2 (V)	V3 (V)
Interpole Vertical Cabinet, Open with Four Shelves	15"	15 ⁵ / ₈ "	64 ¹ / ₂ "	IPSVOS1564L()	\$2,563.	\$2,913.	\$3,846.	\$4,660.	\$5,359.	\$6,992.
	15"	15 ⁵ / ₈ "	64 ¹ / ₂ "	IPSVOS1564R()	2,563.	2,913.	3,846.	4,660.	5,359.	6,992.

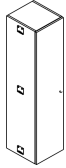


(left mount shown)

Ordering Information	Order Code	Included With	Options
Interpole Vertical Cabinet, Open with Shelves	Interpole Vertical Cabinet, Open with Shelves	Interpole Vertical Cabinet, Open with Shelves	Interpole Vertical Cabinet, Open with Shelves
1. Pattern Number	<i>Example:</i> IPSVOS1564LL, 118, 118T	Mounting Brackets	Case Finish Options:
2. Exterior Case Finish	IPS Interpole Storage	Hardware	(L) = All the same or different laminates for the exterior and interior case
3. Interior Case Finish (Laminate only)	VOS Vertical Cabinet Open with Shelves	(4) Adjustable Shelves	(V) = All the same veneer for the exterior and interior case
4. Bracket Paint Finish	15 Depth		
	64 Height		
	L Mounts on Left		
	L Laminate		
	118 Bright White Laminate		
	118 Bright White Laminate		
	118T Bright White Paint		

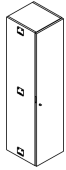
Interpole Vertical Wood Storage For Mounting on Side Slot of Pole Cabinets with Doors

description	w	d	h	pattern no.	All Same	Laminate	Laminate	Laminate	All V1	All V2	All V3
					Laminate (Core Lam.) (L)	Case w/ V1 Fronts (M)	Case w/ V2 Fronts (M)	Case w/ V3 Fronts (M)			
Interpole Vertical Cabinet, Door with Four Shelves, Left Hinge	15"	16 1/2"	64 1/2"	IPSVDL1564L()L	\$3,261.	\$3,611.	\$3,846.	\$4,079.	\$5,710.	\$6,525.	\$8,623.
	15"	16 1/2"	64 1/2"	IPSVDL1564R()L	3,261.	3,611.	3,846.	4,079.	5,710.	6,525.	8,623.



(hinged left / mount left shown)

Interpole Vertical Cabinet, Door with Four Shelves, Right Hinge	15"	16 1/2"	64 1/2"	IPSVDR1564L()L	3,261.	3,611.	3,846.	4,079.	5,710.	6,525.	8,623.
	15"	16 1/2"	64 1/2"	IPSVDR1564R()L	3,261.	3,611.	3,846.	4,079.	5,710.	6,525.	8,623.

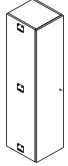


(hinged right / mount left shown)

Ordering Information	Order Code	Included With	Options
Interpole Vertical Cabinet with Door and Shelves	Interpole Vertical Cabinet with Doors and Shelves	Interpole Vertical Cabinet, Open with Shelves	Interpole Vertical Cabinet with Door and Shelves
1. Pattern Number	<i>Example:</i> IPSVDL1564LLN, 118, 118, E, 118T, 118T	Mounting Brackets	Case Finish Options:
2. Case Finish	IPS Interpole Storage	Hardware	(L) = All the same or different laminates for the exterior and interior case
3. Door Finish	VDL Vertical Cabinet with Door, Hinged Left	(4) Adjustable Shelves	(M) = Laminate exterior case/shelves and veneer door front
4. Pull Type	15 Depth		(V) = All the same veneer for the exterior case/shelves and door front
5. Pull Paint Finish	64 Height		
6. Bracket Paint Finish	L Mounts on Left		Lock Options:
	L Laminate		To specify an Interpole Vertical Storage cabinet without a lock, replace the final "L" suffix in the pattern number with an "N".
	N Non-Locking		
	118 Bright White Laminate		Door Pull Options:
	118 Bright White Laminate		(E) = Edge Pull
	E Edge Pull		(I) = Insert Pull
	118T Bright White Paint		(O) = Loop Pull
	118T Bright White Paint		See planning guide page for door pull finish options

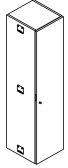
Interpole Vertical Wood Storage For Mounting on Side Slot of Pole Wardrobe Cabinets

description	w	d	h	pattern no.	All Same Laminate (Core Lam.) (L)	Laminate Case w/ V1 Fronts (M)	Laminate Case w/ V2 Fronts (M)	Laminate Case w/ V3 Fronts (M)	All V1 (V)	All V2 (V)	All V3 (V)
Interpole Vertical Cabinet, Wardrobe, Left Hinge	15"	16 1/2"	64 1/2"	IPSVWL1564L(JL)	\$2,913.	\$3,261.	\$3,495.	\$3,728.	\$5,359.	\$6,177.	\$8,273.
	15"	16 1/2"	64 1/2"	IPSVWL1564R(JL)	2,913.	3,261.	3,495.	3,728.	5,359.	6,177.	8,273.



(hinged left / mount left shown)

Interpole Vertical Cabinet, Wardrobe, Right Hinge	15"	16 1/2"	64 1/2"	IPSVWR1564L(JL)	2,913.	3,261.	3,495.	3,728.	5,359.	6,177.	8,273.
	15"	16 1/2"	64 1/2"	IPSVWR1564R(JL)	2,913.	3,261.	3,495.	3,728.	5,359.	6,177.	8,273.



(hinged right / mount left shown)

Ordering Information	Order Code	Included With	Options
Interpole Vertical Cabinet Wardrobe 1. Pattern Number 2. Case Finish 3. Door Finish 4. Pull Type 5. Pull Paint Finish 6. Bracket Paint Finish	Interpole Vertical Cabinet Wardrobe <i>Example:</i> IPSVWL1564LLN, 118, 118, E, 118T, 118T <hr/> IPS Interpole Storage <hr/> VWL Vertical Wardrobe, Hinged on Left <hr/> 15 Depth <hr/> 64 Height <hr/> L Mounts on Left <hr/> L Laminate <hr/> N Non-Locking <hr/> 118 Bright White Laminate <hr/> 118 Bright White Laminate <hr/> E Edge Pull <hr/> 118T Bright White Paint <hr/> 118T Bright White Paint	Interpole Vertical Cabinet, Wardrobe Mounting Brackets Hardware Coat Hook Low Shelf	Interpole Vertical Cabinet with Door and Shelves Case Finish Options: (L) = All the same or different laminates for the exterior and interior case (M) = Laminate exterior case/shelves and veneer door front (V) = All the same veneer for the exterior case/shelves and door front Lock Options: To specify an Interpole Vertical Storage cabinet without a lock, replace the final "L" suffix in the pattern number with an "N". Door Pull Options: (E) = Edge Pull (I) = Insert Pull (O) = Loop Pull See planning guide page for door pull finish options

Interpole Vertical Wood Storage

Fabric Inserts

Planning Guidelines and Specifications

Fabric Insert for Interpole Cabinets

Fabric back insert is tackable fabric panel, nominal 1/2" thick, that fits in the recess behind the back of Interpole vertical cabinets. Fabric back inserts are 1 1/2" less wide and 1 1/2" less high than cabinet to fit between sides, top and bottom.

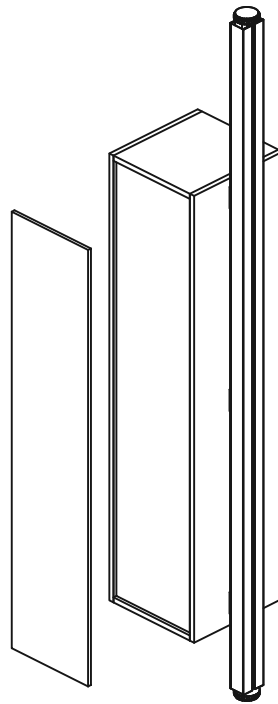
Fabric back insert is not applicable on cabinets without a recessed back.

Construction

Fabric back insert is 1/2" tackable tile with fabric applied on exterior surface and edges. Fabric inserts are installed using double-sided adhesive tape, which is included.

Specification Options

Fabric inserts may be specified in any Antenna approved textile. For Customers Own Material (COM) applications, see yardage chart in front of Price List.



Fabric Inserts are Installed in the Back of Interpole Vertical Cabinets

Interpole Vertical Wood Storage
Fabric Inserts
For Interpole Vertical Cabinets

description	w	d	h	pattern no.	grade				
					10	20	30	40	45
Fabric Inserts for Interpole Vertical Cabinets	15"	1/2"	64"	IPSI6415F	\$582.	\$635.	\$702.	\$711.	\$736.



Ordering Information

Fabric Inserts

1. Pattern Number
2. Fabric

Order Code

Fabric Inserts

Example: **IPSI6415F, W1077**

IPSI Fabric Insert

64 High

15 Wide

F Tackable Fabric

W1077 Element

Included With

Fabric Inserts

Options

Fabric Inserts

Antenna Simple Tables

Antenna Simple Tables are available as complete kits, including top, stiffener and legs. Preconfigured tables include round, square, rectangular and track shapes, in standard Antenna laminate or veneer top details, with painted finish legs.

Antenna Simple Table legs include a 1 1/4" round leg with 5"x5" top plate and are available with glides or casters. Tops are drilled at all four corners to position leg column at the corner or inset for rectangular tops 24"D or deeper. Antenna Simple Tables accept standard Antenna desk screens on tables 24" and 27"D when legs are in the outboard position or 30" and 36"D tables with legs positioned either outboard or inboard. Tables legs on 36" round tables may only be positioned in the outboard position.

Antenna Simple Table stiffeners are 9" less wide than the corresponding top width. Rectangular tops include factory drilled pilot holes to mount stiffeners either centered on top depth or offset 9" from the back edge. Round and Track shaped tops include pilot holes to mount the stiffener centered or offset 3" from center to avoid a centered grommet.

Table legs with glides include standard Antenna adjustable levelers with 3" continuous adjustment range. Table legs with casters include two locking and two non-locking threaded stem casters.

Antenna Simple Tables are available with or without a 2" round grommet. Rectangular and Track shaped tables feature two grommets positioned near the back edge. Round and Square shaped tables feature one centered grommet.

Construction

Antenna Simple Table tops are nominal 1 3/16" thick with a laminate or veneer surface finish. Laminate tops have a laminate top surface with an FSC-certified particle board core and a neutral tone backer sheet for balanced construction. Edges can match the top or contrast in color, in 2.8mm ABS with 2.4mm radius top and bottom edges. Front and back edges overlap ends with a 2.4mm radius on outside corners.

Techwood and natural veneer tops have a veneer top surface, an FSC-certified partial board core and a neutral tone backer sheet for balanced construction. Veneer tops have matching finish 2.0mm solid veneer edges on all sides. Top and bottom edges have a 2.0mm radius. Veneer grain direction is parallel to front edge.

Laminate and veneer tops include metal inserts on the underside at each corner for leg plate attachment with machine screws.

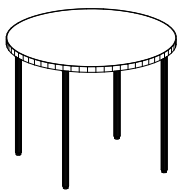
Legs are steel weldments with 1 1/4" round steel tube. Legs include 5" levelers with 5/8" stems and 3" continuous adjustment range. Leg plate is 3/8" thick steel with chamfered edge.

Stiffeners are 12 gauge steel with laser cut cleats for wire management.

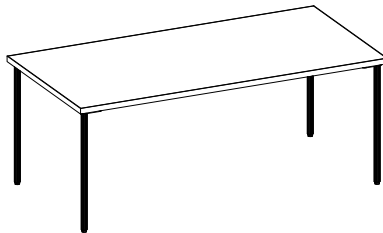
Specification Options

Table tops may be specified in any Antenna solid, pattern or woodgrain laminate, with matching or contrasting ABS edge, or in any Antenna Techwood or natural veneer with matching solid veneer or ABS edge.

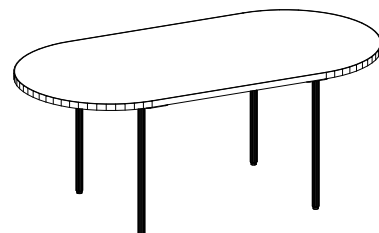
Legs may be specified in any standard Antenna smooth painted finish. Steel stiffener is default Medium Grey. Casters are default black.



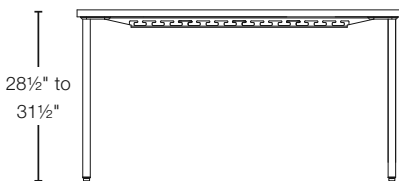
Round Simple Table,
25 5/6" or 28 1/2"H



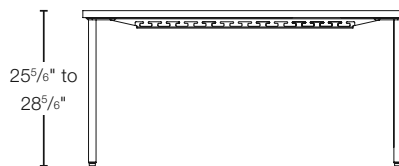
Rectangular Simple Table,
25 5/6" or 28 1/2"H



Track Shaped Simple Table,
25 5/6" or 28 1/2"H



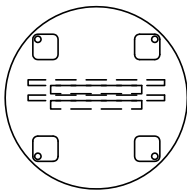
Side Elevation of Desk Height,
High Range, with Glides



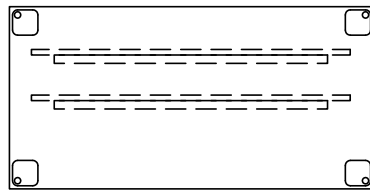
Side Elevation of Desk Height,
Low Range, with Glides



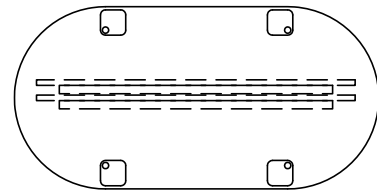
Side Elevation of
Desk Height, with Casters



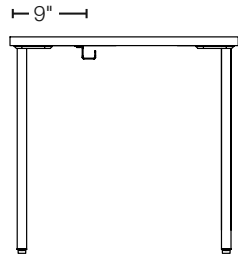
Round Simple
Table Plan View



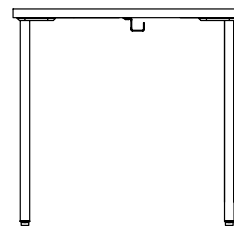
Rectangular Simple
Table Plan View



Track Shaped Simple
Table Plan View



End Elevation with
Stiffener in Back Position

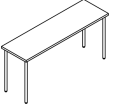


End Elevation with
Stiffener in Center Position

Antenna Simple Tables

Rectangular Tables

18" Deep

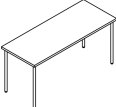
description	type	w	d	h	pattern no.	Laminate (L)	M/V1 (V)	V2 (V)	V3 (V)
18"D Antenna Simple Tables with Rectangular Shaped Tops 	Desk height high range	36"	18"	28 1/2"	YKTS3618SDHN	\$1,023.	\$1,215.	\$1,264.	\$1,357.
		42"	18"	28 1/2"	YKTS4218SDHN	1,066.	1,251.	1,304.	1,412.
		48"	18"	28 1/2"	YKTS4818SDHN	1,098.	1,284.	1,343.	1,467.
		54"	18"	28 1/2"	YKTS5418SDHN	1,127.	1,319.	1,384.	1,522.
		60"	18"	28 1/2"	YKTS6018SDHN	1,175.	1,353.	1,423.	1,575.
		66"	18"	28 1/2"	YKTS6618SDHN	1,208.	1,404.	1,479.	1,645.
		72"	18"	28 1/2"	YKTS7218SDHN	1,241.	1,457.	1,537.	1,717.
		78"	18"	28 1/2"	YKTS7818SDHN	1,306.	1,509.	1,593.	1,788.
		84"	18"	28 1/2"	YKTS8418SDHN	1,349.	1,560.	1,650.	1,861.
		Desk height low range	Desk height low range	36"	18"	25 5/6"	YKTS3618SDLN	1,023.	1,215.
42"	18"			25 5/6"	YKTS4218SDLN	1,066.	1,251.	1,304.	1,412.
48"	18"			25 5/6"	YKTS4818SDLN	1,098.	1,284.	1,343.	1,467.
54"	18"			25 5/6"	YKTS5418SDLN	1,127.	1,319.	1,384.	1,522.
60"	18"			25 5/6"	YKTS6018SDLN	1,175.	1,353.	1,423.	1,575.
66"	18"			25 5/6"	YKTS6618SDLN	1,208.	1,404.	1,479.	1,645.
72"	18"			25 5/6"	YKTS7218SDLN	1,241.	1,457.	1,537.	1,717.
78"	18"			25 5/6"	YKTS7818SDLN	1,306.	1,509.	1,593.	1,788.
84"	18"			25 5/6"	YKTS8418SDLN	1,349.	1,560.	1,650.	1,861.
Desk height with casters	Desk height with casters			36"	18"	28 1/2"	YKTS3618SDCN	1,074.	1,272.
		42"	18"	28 1/2"	YKTS4218SDCN	1,121.	1,308.	1,360.	1,470.
		48"	18"	28 1/2"	YKTS4818SDCN	1,151.	1,341.	1,400.	1,524.
		54"	18"	28 1/2"	YKTS5418SDCN	1,180.	1,376.	1,439.	1,578.
		60"	18"	28 1/2"	YKTS6018SDCN	1,227.	1,410.	1,479.	1,632.
		66"	18"	28 1/2"	YKTS6618SDCN	1,283.	1,463.	1,537.	1,702.
		72"	18"	28 1/2"	YKTS7218SDCN	1,293.	1,514.	1,593.	1,774.
		78"	18"	28 1/2"	YKTS7818SDCN	1,359.	1,565.	1,649.	1,846.
		84"	18"	28 1/2"	YKTS8418SDCN	1,402.	1,617.	1,707.	1,918.

Ordering Information	Order Code	Included With	Options
Antenna Simple Tables	Tables	Antenna Simple Tables	Antenna Simple Table
1. Pattern Number	<i>Example:</i> YKTS6018SDHNL, 118, 118	Antenna Top	(N) No grommet
2. Grommet / no grommet		Table Legs	(G) Grommet
3. Top finish type	YKTS Antenna Simple Table	Stiffener	For Grommets, add \$50 for rectangular and track shape tops. Add \$25 for round and square.
4. Top finish	60 Width	Leveling Glides or Casters	Top Finish Options:
5. Edge Finish (for laminate tops only)	18 Depth	Attachment Hardware	(L) = Laminate
6. Base finish (paint)	SDH Desk Height High Range		(M) = Laminate top with wood edge
7. Grommet finish (paint)	N No Grommet		(V) = Veneer
	L Laminate		Top may be specified in any Knoll core laminate or veneer.
	118 Bright White Laminate		Leg Finish Options:
	118 Bright White Edge		Legs are available in smooth Knoll core paints, Dark Red (130) and Slate blue (131) paint finishes.
	118 Bright White Leg		

Antenna Simple Tables

Rectangular Tables

24" Deep

description	type	w	d	h	pattern no.	Laminate (L)	M/V1 (V)	V2 (V)	V3 (V)
24"D Antenna Simple Tables with Rectangular Shaped Tops 	Desk height high range	36"	24"	28 1/2"	YKTS3624SDHN	\$1,062.	\$1,258.	\$1,317.	\$1,438.
		42"	24"	28 1/2"	YKTS4224SDHN	1,115.	1,299.	1,361.	1,504.
		48"	24"	28 1/2"	YKTS4824SDHN	1,150.	1,340.	1,408.	1,567.
		54"	24"	28 1/2"	YKTS5424SDHN	1,187.	1,381.	1,453.	1,634.
		60"	24"	28 1/2"	YKTS6024SDHN	1,243.	1,420.	1,500.	1,780.
		66"	24"	28 1/2"	YKTS6624SDHN	1,281.	1,478.	1,563.	1,864.
		72"	24"	28 1/2"	YKTS7224SDHN	1,299.	1,537.	1,630.	1,947.
		78"	24"	28 1/2"	YKTS7824SDHN	1,392.	1,594.	1,694.	2,031.
		84"	24"	28 1/2"	YKTS8424SDHN	1,439.	1,652.	1,757.	2,030.
		Desk height low range	36"	24"	25 5/6"	YKTS3624SDLN	1,062.	1,258.	1,317.
42"	24"		25 5/6"	YKTS4224SDLN	1,115.	1,299.	1,361.	1,504.	
48"	24"		25 5/6"	YKTS4824SDLN	1,150.	1,340.	1,408.	1,567.	
54"	24"		25 5/6"	YKTS5424SDLN	1,187.	1,381.	1,453.	1,634.	
60"	24"		25 5/6"	YKTS6024SDLN	1,243.	1,420.	1,500.	1,780.	
66"	24"		25 5/6"	YKTS6624SDLN	1,281.	1,478.	1,563.	1,864.	
72"	24"		25 5/6"	YKTS7224SDLN	1,299.	1,537.	1,630.	1,947.	
78"	24"		25 5/6"	YKTS7824SDLN	1,392.	1,594.	1,694.	2,031.	
84"	24"		25 5/6"	YKTS8424SDLN	1,439.	1,652.	1,757.	2,030.	
Desk height with casters	36"		24"	28 1/2"	YKTS3624SDCN	1,117.	1,316.	1,374.	1,496.
	42"	24"	28 1/2"	YKTS4224SDCN	1,169.	1,356.	1,419.	1,560.	
	48"	24"	28 1/2"	YKTS4824SDCN	1,205.	1,397.	1,465.	1,626.	
	54"	24"	28 1/2"	YKTS5424SDCN	1,241.	1,437.	1,509.	1,691.	
	60"	24"	28 1/2"	YKTS6024SDCN	1,295.	1,477.	1,556.	1,838.	
	66"	24"	28 1/2"	YKTS6624SDCN	1,334.	1,535.	1,620.	1,921.	
	72"	24"	28 1/2"	YKTS7224SDCN	1,353.	1,593.	1,686.	2,003.	
	78"	24"	28 1/2"	YKTS7824SDCN	1,445.	1,650.	1,750.	2,087.	
	84"	24"	28 1/2"	YKTS8424SDCN	1,493.	1,708.	1,814.	2,086.	

Antenna Simple Tables

Ordering Information

Antenna Simple Tables

1. Pattern Number
2. Grommet / no grommet
3. Top finish type
4. Top finish
5. Edge Finish (for laminate tops only)
6. Base finish (paint)
7. Grommet finish (paint)

Order Code

Tables

Example: **YKTS6024SDHNL, 118, 118**

YKTS	Antenna Simple Table
60	Width
24	Depth
SDH	Desk Height High Range
N	No Grommet
L	Laminate
118	Bright White Laminate
118	Bright White Edge
118	Bright White Leg

Included With

Antenna Simple Tables
 Antenna Top
 Table Legs
 Stiffener
 Leveling Glides or Casters
 Attachment Hardware

Options

Antenna Simple Table

(N) No grommet
 (G) Grommet
 For Grommets, add \$50 for rectangular and track shape tops. Add \$25 for round and square.
Top Finish Options:
 (L) = Laminate
 (M) = Laminate top with wood edge
 (V) = Veneer

Top may be specified in any Knoll core laminate or veneer.

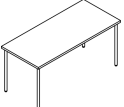
Leg Finish Options:

Legs are available in smooth Knoll core paints, Dark Red (130) and Slate blue (131) paint finishes.

Antenna Simple Tables

Rectangular Tables

27" Deep

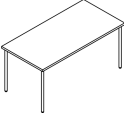
description	type	w	d	h	pattern no.	Laminate (L)	M/V1 (V)	V2 (V)	V3 (V)		
27"D Antenna Simple Tables with Rectangular Shaped Tops 	Desk height high range	36"	27"	28 1/2"	YKTS3627SDHN	\$1,083.	\$1,272.	\$1,333.	\$1,472.		
		42"	27"	28 1/2"	YKTS4227SDHN	1,138.	1,321.	1,388.	1,546.		
		48"	27"	28 1/2"	YKTS4827SDHN	1,177.	1,368.	1,441.	1,620.		
		54"	27"	28 1/2"	YKTS5427SDHN	1,216.	1,415.	1,498.	1,696.		
		60"	27"	28 1/2"	YKTS6027SDHN	1,274.	1,463.	1,551.	1,771.		
		66"	27"	28 1/2"	YKTS6627SDHN	1,284.	1,528.	1,611.	1,852.		
		72"	27"	28 1/2"	YKTS7227SDHN	1,301.	1,569.	1,671.	1,932.		
		78"	27"	28 1/2"	YKTS7827SDHN	1,432.	1,626.	1,732.	2,013.		
		84"	27"	28 1/2"	YKTS8427SDHN	1,485.	1,678.	1,788.	2,094.		
		<hr/>									
			Desk height low range	36"	27"	25 3/6"	YKTS3627SDLN	1,083.	1,272.	1,333.	1,472.
				42"	27"	25 3/6"	YKTS4227SDLN	1,138.	1,321.	1,388.	1,546.
				48"	27"	25 3/6"	YKTS4827SDLN	1,177.	1,368.	1,441.	1,620.
	54"	27"		25 3/6"	YKTS5427SDLN	1,216.	1,415.	1,498.	1,696.		
	60"	27"		25 3/6"	YKTS6027SDLN	1,274.	1,463.	1,551.	1,771.		
	66"	27"		25 3/6"	YKTS6627SDLN	1,284.	1,528.	1,611.	1,852.		
	72"	27"		25 3/6"	YKTS7227SDLN	1,301.	1,569.	1,671.	1,932.		
	78"	27"		25 3/6"	YKTS7827SDLN	1,432.	1,626.	1,732.	2,013.		
	84"	27"		25 3/6"	YKTS8427SDLN	1,485.	1,678.	1,788.	2,094.		
<hr/>											
	Desk height with casters	36"	27"	28 1/2"	YKTS3627SDCN	1,137.	1,329.	1,390.	1,528.		
		42"	27"	28 1/2"	YKTS4227SDCN	1,193.	1,377.	1,445.	1,603.		
		48"	27"	28 1/2"	YKTS4827SDCN	1,229.	1,425.	1,500.	1,678.		
		54"	27"	28 1/2"	YKTS5427SDCN	1,271.	1,473.	1,554.	1,753.		
		60"	27"	28 1/2"	YKTS6027SDCN	1,328.	1,519.	1,607.	1,827.		
		66"	27"	28 1/2"	YKTS6627SDCN	1,343.	1,586.	1,668.	1,908.		
		72"	27"	28 1/2"	YKTS7227SDCN	1,376.	1,629.	1,728.	1,990.		
		78"	27"	28 1/2"	YKTS7827SDCN	1,485.	1,682.	1,787.	2,071.		
		84"	27"	28 1/2"	YKTS8427SDCN	1,541.	1,735.	1,846.	2,152.		

Ordering Information	Order Code	Included With	Options
Antenna Simple Tables 1. Pattern Number 2. Grommet / no grommet 3. Top finish type 4. Top finish 5. Edge Finish (for laminate tops only) 6. Base finish (paint) 7. Grommet finish (paint)	Tables <i>Example:</i> YKTS6027SDHNL, 118, 118 <hr/> YKTS Antenna Simple Table <hr/> 60 Width <hr/> 27 Depth <hr/> SDH Desk Height High Range <hr/> N No Grommet <hr/> L Laminate <hr/> 118 Bright White Laminate <hr/> 118 Bright White Edge <hr/> 118 Bright White Leg	Antenna Simple Tables Antenna Top Table Legs Stiffener Leveling Glides or Casters Attachment Hardware	Antenna Simple Table (N) No grommet (G) Grommet For Grommets, add \$50 for rectangular and track shape tops. Add \$25 for round and square. Top Finish Options: (L) = Laminate (M) = Laminate top with wood edge (V) = Veneer Top may be specified in any Knoll core laminate or veneer. Leg Finish Options: Legs are available in smooth Knoll core paints, Dark Red (130) and Slate blue (131) paint finishes.

Antenna Simple Tables

Rectangular Tables

30" Deep

description	type	w	d	h	pattern no.	Laminate (L)	M/V1 (V)	V2 (V)	V3 (V)
30"D Antenna Simple Tables with Rectangular Shaped Tops 	Desk height high range	36"	30"	28 1/2"	YKTS3630SDHN	\$1,104.	\$1,286.	\$1,352.	\$1,502.
		42"	30"	28 1/2"	YKTS4230SDHN	1,164.	1,335.	1,409.	1,582.
		48"	30"	28 1/2"	YKTS4830SDHN	1,205.	1,385.	1,466.	1,661.
		54"	30"	28 1/2"	YKTS5430SDHN	1,247.	1,433.	1,523.	1,741.
		60"	30"	28 1/2"	YKTS6030SDHN	1,305.	1,482.	1,576.	1,819.
		66"	30"	28 1/2"	YKTS6630SDHN	1,354.	1,542.	1,634.	1,888.
		72"	30"	28 1/2"	YKTS7230SDHN	1,396.	1,601.	1,684.	1,996.
		78"	30"	28 1/2"	YKTS7830SDHN	1,475.	1,660.	1,777.	2,085.
		84"	30"	28 1/2"	YKTS8430SDHN	1,532.	1,716.	1,835.	2,170.
		Desk height low range	Desk height low range	36"	30"	25 5/6"	YKTS3630SDLN	1,104.	1,286.
42"	30"			25 5/6"	YKTS4230SDLN	1,164.	1,335.	1,409.	1,582.
48"	30"			25 5/6"	YKTS4830SDLN	1,205.	1,385.	1,466.	1,661.
54"	30"			25 5/6"	YKTS5430SDLN	1,247.	1,433.	1,523.	1,741.
60"	30"			25 5/6"	YKTS6030SDLN	1,305.	1,482.	1,576.	1,819.
66"	30"			25 5/6"	YKTS6630SDLN	1,354.	1,542.	1,634.	1,888.
72"	30"			25 5/6"	YKTS7230SDLN	1,396.	1,601.	1,684.	1,996.
78"	30"			25 5/6"	YKTS7830SDLN	1,475.	1,660.	1,777.	2,085.
84"	30"			25 5/6"	YKTS8430SDLN	1,532.	1,716.	1,835.	2,170.
Desk height with casters	Desk height with casters			36"	30"	28 1/2"	YKTS3630SDCN	1,158.	1,343.
		42"	30"	28 1/2"	YKTS4230SDCN	1,216.	1,393.	1,466.	1,638.
		48"	30"	28 1/2"	YKTS4830SDCN	1,258.	1,440.	1,523.	1,717.
		54"	30"	28 1/2"	YKTS5430SDCN	1,300.	1,489.	1,580.	1,798.
		60"	30"	28 1/2"	YKTS6030SDCN	1,360.	1,540.	1,633.	1,876.
		66"	30"	28 1/2"	YKTS6630SDCN	1,408.	1,598.	1,691.	1,944.
		72"	30"	28 1/2"	YKTS7230SDCN	1,451.	1,658.	1,741.	2,052.
		78"	30"	28 1/2"	YKTS7830SDCN	1,529.	1,716.	1,834.	2,142.
		84"	30"	28 1/2"	YKTS8430SDCN	1,586.	1,773.	1,893.	2,228.

Antenna Simple Tables

Ordering Information

Antenna Simple Tables

1. Pattern Number
2. Grommet / no grommet
3. Top finish type
4. Top finish
5. Edge Finish (for laminate tops only)
6. Base finish (paint)
7. Grommet finish (paint)

Order Code

Tables	
<i>Example:</i>	YKTS6030SDHNL, 118, 118
YKTS	Antenna Simple Table
60	Width
30	Depth
SDH	Desk Height High Range
N	No Grommet
L	Laminate
118	Bright White Laminate
118	Bright White Edge
118	Bright White Leg

Included With

Antenna Simple Tables
 Antenna Top
 Table Legs
 Stiffener
 Leveling Glides or Casters
 Attachment Hardware

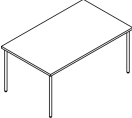
Options

Antenna Simple Table
 (N) No grommet
 (G) Grommet
 For Grommets, add \$50 for rectangular and track shape tops. Add \$25 for round and square.
Top Finish Options:
 (L) = Laminate
 (M) = Laminate top with wood edge
 (V) = Veneer
 Top may be specified in any Knoll core laminate or veneer.
Leg Finish Options:
 Legs are available in smooth Knoll core paints, Dark Red (130) and Slate blue (131) paint finishes.

Antenna Simple Tables

Rectangular Tables

36" Deep

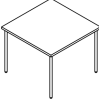
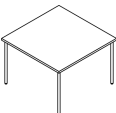
description	type	w	d	h	pattern no.	Laminate (L)	M//V1 (V)	V2 (V)	V3 (V)		
36"D Antenna Simple Tables with Rectangular Shaped Tops 	Desk height high range	36"	36"	28 1/2"	YKTS3636SDHN	\$1,145.	\$1,326.	\$1,411.	\$1,590.		
		42"	36"	28 1/2"	YKTS4236SDHN	1,210.	1,374.	1,466.	1,671.		
		48"	36"	28 1/2"	YKTS4836SDHN	1,258.	1,425.	1,520.	1,753.		
		54"	36"	28 1/2"	YKTS5436SDHN	1,306.	1,476.	1,575.	1,834.		
		60"	36"	28 1/2"	YKTS6036SDHN	1,375.	1,526.	1,629.	1,917.		
		66"	36"	28 1/2"	YKTS6636SDHN	1,426.	1,588.	1,696.	2,013.		
		72"	36"	28 1/2"	YKTS7236SDHN	1,476.	1,648.	1,765.	2,110.		
		78"	36"	28 1/2"	YKTS7836SDHN	1,559.	1,710.	1,831.	2,206.		
		84"	36"	28 1/2"	YKTS8436SDHN	1,621.	1,770.	1,902.	2,302.		
		<hr/>									
			Desk height low range	36"	36"	25 3/6"	YKTS3636SDLN	1,145.	1,326.	1,411.	1,590.
				42"	36"	25 3/6"	YKTS4236SDLN	1,210.	1,374.	1,466.	1,671.
				48"	36"	25 3/6"	YKTS4836SDLN	1,258.	1,425.	1,520.	1,753.
	54"	36"		25 3/6"	YKTS5436SDLN	1,306.	1,476.	1,575.	1,834.		
	60"	36"		25 3/6"	YKTS6036SDLN	1,375.	1,526.	1,629.	1,917.		
	66"	36"		25 3/6"	YKTS6636SDLN	1,426.	1,588.	1,696.	2,013.		
	72"	36"		25 3/6"	YKTS7236SDLN	1,476.	1,648.	1,765.	2,110.		
	78"	36"		25 3/6"	YKTS7836SDLN	1,559.	1,710.	1,831.	2,206.		
	84"	36"		25 3/6"	YKTS8436SDLN	1,621.	1,770.	1,902.	2,302.		
<hr/>											
	Desk height with casters	36"	36"	28 1/2"	YKTS3636SDCN	1,200.	1,382.	1,468.	1,645.		
		42"	36"	28 1/2"	YKTS4236SDCN	1,264.	1,430.	1,523.	1,728.		
		48"	36"	28 1/2"	YKTS4836SDCN	1,312.	1,481.	1,577.	1,811.		
		54"	36"	28 1/2"	YKTS5436SDCN	1,359.	1,532.	1,632.	1,892.		
		60"	36"	28 1/2"	YKTS6036SDCN	1,428.	1,584.	1,685.	1,974.		
		66"	36"	28 1/2"	YKTS6636SDCN	1,479.	1,643.	1,753.	2,071.		
		72"	36"	28 1/2"	YKTS7236SDCN	1,529.	1,705.	1,821.	2,166.		
		78"	36"	28 1/2"	YKTS7836SDCN	1,614.	1,767.	1,890.	2,263.		
		84"	36"	28 1/2"	YKTS8436SDCN	1,675.	1,826.	1,960.	2,357.		

Ordering Information	Order Code	Included With	Options
Antenna Simple Tables	Tables	Antenna Simple Tables	Antenna Simple Table
1. Pattern Number	<i>Example:</i> YKTS6036SDHNL, 118, 118	Antenna Top	(N) No grommet
2. Grommet / no grommet		Table Legs	(G) Grommet
3. Top finish type	YKTS Antenna Simple Table	Stiffener	For Grommets, add \$50 for rectangular and track shape tops. Add \$25 for round and square
4. Top finish	60 Width	Leveling Glides or Casters	
5. Edge Finish (for laminate tops only)	36 Depth	Attachment Hardware	
6. Base finish (paint)	SDH Desk Height High Range		Top Finish Options:
7. Grommet finish (paint)	N No Grommet		(L) = Laminate
	L Laminate		(M) = Laminate top with wood edge
	118 Bright White Laminate		(V) = Veneer
	118 Bright White Edge		Top may be specified in any Knoll core laminate or veneer.
	118 Bright White Leg		Leg Finish Options:
			Legs are available in smooth Knoll core paints, Dark Red (130) and Slate blue (131) paint finishes.

Antenna Simple Tables

Square Tables

36" and 42" Deep

description	type	w	d	h	pattern no.	Laminate (L)	M/V1 (V)	V2 (V)	V3 (V)
36"D Antenna Simple Tables with Square Shaped Tops 	Desk height high range	36"	36"	28½"	YKTS3636SDHN	\$1,145.	\$1,326.	\$1,411.	\$1,590.
	Desk height low range	36"	36"	25⅝"	YKTS3636SDLN	1,145.	1,326.	1,411.	1,590.
	Desk height with casters	36"	36"	28½"	YKTS3636SDCN	1,200.	1,382.	1,468.	1,645.
42"D Antenna Simple Tables with Square Shaped Tops 	Desk height high range	42"	42"	28½"	YKTS4242SDHN	1,267.	1,471.	1,558.	1,797.
	Desk height low range	42"	42"	25⅝"	YKTS4242SDLN	1,267.	1,471.	1,558.	1,797.
	Desk height with casters	42"	42"	28½"	YKTS4242SDCN	1,322.	1,514.	1,603.	1,841.

Antenna Simple Tables

Ordering Information

Antenna Simple Tables

1. Pattern Number
2. Grommet / no grommet
3. Top finish type
4. Top finish
5. Edge Finish (for laminate tops only)
6. Base finish (paint)
7. Grommet finish (paint)

Order Code

Tables

Example: **YKTS3636SDHNL, 118, 118**

YKTS	Antenna Simple Table
36	Width
36	Depth
SDH	Desk Height High Range
N	No Grommet
L	Laminate
118	Bright White Laminate
118	Bright White Edge
118	Bright White Leg

Included With

Antenna Simple Tables
 Antenna Top
 Table Legs
 Stiffener
 Leveling Glides or Casters
 Attachment Hardware

Options

Antenna Simple Table

(N) No grommet
 (G) Grommet

For Grommets, add \$50 for rectangular and track shape tops. Add \$25 for round and square.

Top Finish Options:
 (L) = Laminate
 (M) = Laminate top with wood edge
 (V) = Veneer



Top may be specified in any Knoll core laminate or veneer.

Leg Finish Options:
 Legs are available in smooth Knoll core paints, Dark Red (130) and Slate blue (131) paint finishes.

Antenna Simple Tables

Round Tables

36" and 42" Deep

description	type	w	d	h	pattern no.	Laminate (L)	M/V1 (V)	V2 (V)	V3 (V)
36"D Antenna Simple Tables with Round Shaped Tops 	Desk height high range	36"	36"	28 1/2"	YKTR36SDHN	\$1,139.	\$2,508.	\$2,563.	\$2,752.
	Desk height low range	36"	36"	25 5/8"	YKTR36SDLN	1,139.	2,508.	2,563.	2,752.
	Desk height with casters	36"	36"	28 1/2"	YKTR36SDCN	1,193.	2,552.	2,607.	2,796.
42"D Antenna Simple Tables with Round Shaped Tops 	Desk height high range	42"	42"	28 1/2"	YKTR42SDHN	1,260.	2,641.	2,707.	2,959.
	Desk height low range	42"	42"	25 5/8"	YKTR42SDLN	1,260.	2,641.	2,707.	2,959.
	Desk height with casters	42"	42"	28 1/2"	YKTR42SDCN	1,315.	2,683.	2,752.	3,001.

Ordering Information

Antenna Simple Tables

1. Pattern Number
2. Grommet / no grommet
3. Top finish type
4. Top finish
5. Edge Finish (for laminate tops only)
6. Base finish (paint)
7. Grommet finish (paint)

Order Code

Tables

Example: **YKTS6030SDHNL, 118, 118**

YKTS	Antenna Simple Table
60	Width
30	Depth
SDH	Desk Height High Range
N	No Grommet
L	Laminate
118	Bright White Laminate
118	Bright White Edge
118	Bright White Leg

Included With

Antenna Simple Tables
 Antenna Top
 Table Legs
 Stiffener
 Leveling Glides or Casters
 Attachment Hardware

Options

Antenna Simple Table

(N) No grommet
 (G) Grommet

For Grommets, add \$50 for rectangular and track shape tops. Add \$25 for round and square.

Top Finish Options:
 (L) = Laminate
 (M) = Laminate top with wood edge
 (V) = Veneer

Top may be specified in any Knoll core laminate or veneer.

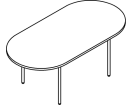
Leg Finish Options:
 Legs are available in smooth Knoll core paints, Dark Red (130) and Slate blue (131) paint finishes.

Antenna Simple Tables

Track Tables

36" Deep

description	type	w	d	h	pattern no.	Laminate (L)	M/V1 (V)	V2 (V)	V3 (V)
36"D Antenna Simple Tables with Track Shaped Tops	Desk height high range	72"	36"	28½"	YKTT7236SDHN	\$1,482.	\$2,928.	\$3,047.	\$3,391.
	Desk height low range	72"	36"	25⅞"	YKTT7236SDLN	1,482.	2,928.	3,047.	3,391.
	Desk height with casters	72"	36"	28½"	YKTT7236SDCN	1,540.	2,971.	3,093.	3,436.



Ordering Information

Antenna Simple Tables

1. Pattern Number
2. Grommet / no grommet
3. Top finish type
4. Top finish
5. Edge Finish (for laminate tops only)
6. Base finish (paint)
7. Grommet finish (paint)

Order Code

Tables

Example: **YKTS6030SDHNL, 118, 118**

YKTS	Antenna Simple Table
60	Width
30	Depth
SDH	Desk Height High Range
N	No Grommet
L	Laminate
118	Bright White Laminate
118	Bright White Edge
118	Bright White Leg

Included With

Antenna Simple Tables
 Antenna Top
 Table Legs
 Stiffener
 Leveling Glides or Casters
 Attachment Hardware

Options

Antenna Simple Table

(N) No grommet
 (G) Grommet

For Grommets, add \$50 for rectangular and track shape tops. Add \$25 for round and square.

Top Finish Options:

(L) = Laminate
 (M) = Laminate top with wood edge
 (V) = Veneer

Top may be specified in any Knoll core laminate or veneer.

Leg Finish Options:

Legs are available in smooth Knoll core paints, Dark Red (130) and Slate blue (131) paint finishes.

Antenna Simple Table Modesty Panels

Planning Guidelines and Specifications

Modesty panels enable full width, flush enclosure under Antenna Simple tables. Modesty panels are suspended from the desktop and available in half height or full height versions. In both heights, modesty panels can be specified with or without a 1 ¼" high cord passage at the top to enable wire management or clamp-on accessories like Sapper monitor arm or desktop outlet center.

Half height modesty panels for Antenna Simple tables start at 10 ½" above the floor on desk height high range and tables specified with casters, and 7 ¾" above the floor on desk height low range tables. Both modesty heights correspond in width to desk tops and are available in 6" wide increments from 36" to 84".

Modesty panels include two or three brackets to the underside of a desktop and offset brackets to secure the inside of the panel to the back of Antenna Simple table legs. Offset brackets define a ¾" space between the inside of the panel and the back edge of the table legs.

Full height modesty panels should not be planned in combination with desk height low range or tables on casters.

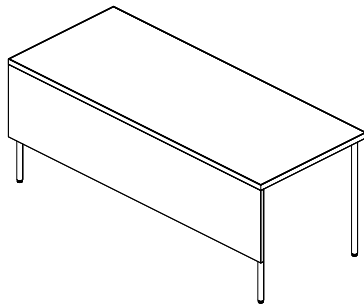
Modesty panel brackets do not deface the legs and may be added or removed without disassembling the table.

Construction

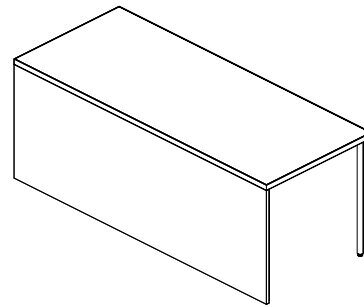
Modesty panels are ¾" thick veneer, laminate or painted wood and include steel and cast aluminum brackets.

Specification Options

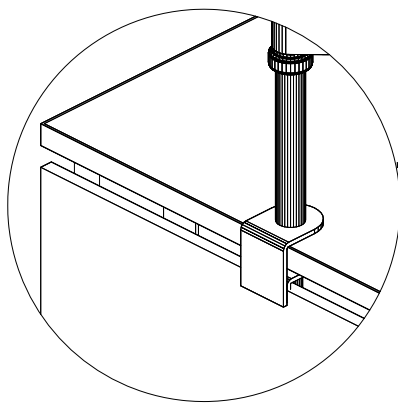
Specify modesty panels in any Knoll Core paint finish, solid, pattern or woodgrain laminate up to 60"W. Specify bracket color in any Knoll Core paint finish.



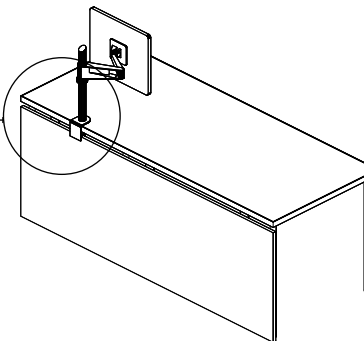
Simple Table with Partial Height Modesty Panel



Simple Table with Full Height Modesty Panel



Sapper Monitor Arm Desk Clamp with Modesty Panel Cord Passage

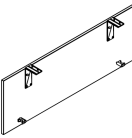


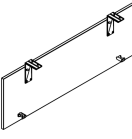
Simple Table with Full Height Modesty Panel with Cord Passage

Modesty Panels for Simple Tables

Half Height

Painted, Laminate or Veneer

description	type	w	d	h	pattern no.	Painted (P)	Laminate (L)	V1 (V)	V2 (V)	V3 (V)
	For 36" Wide Tops	36"	1 1/8"	16 7/8"	YMPT1736()	\$287.	\$313.	\$685.	\$787.	\$1,025.
	For 42" Wide Tops	42"	1 1/8"	16 7/8"	YMPT1742()	294.	320.	707.	813.	1,058.
	For 48" Wide Tops	48"	1 1/8"	16 7/8"	YMPT1748()	300.	344.	733.	846.	1,099.
	For 54" Wide Tops	54"	1 1/8"	16 7/8"	YMPT1754()	307.	352.	762.	876.	1,139.
	For 60" Wide Tops	60"	1 1/8"	16 7/8"	YMPT1760()	361.	449.	818.	939.	1,220.
	For 66" Wide Tops	66"	1 1/8"	16 7/8"	YMPT1766()	406.	495.	838.	964.	1,255.
	For 72" Wide Tops	72"	1 1/8"	16 7/8"	YMPT1772()	412.	502.	862.	991.	1,289.
	For 78" Wide Tops	78"	1 1/8"	16 7/8"	YMPT1778()	419.	508.	894.	1,030.	1,337.
	For 84" Wide Tops	84"	1 1/8"	16 7/8"	YMPT1784()	424.	514.	916.	1,055.	1,370.

description	type	w	d	h	pattern no.	Painted (P)	Laminate (L)	V1 (V)	V2 (V)	V3 (V)
	For 36" Wide Tops	36"	1 1/8"	15 7/8"	YMPT1636()	287.	313.	685.	787.	1,025.
	For 42" Wide Tops	42"	1 1/8"	15 7/8"	YMPT1642()	294.	320.	707.	813.	1,058.
	For 48" Wide Tops	48"	1 1/8"	15 7/8"	YMPT1648()	300.	344.	733.	846.	1,099.
	For 54" Wide Tops	54"	1 1/8"	15 7/8"	YMPT1654()	307.	352.	762.	876.	1,139.
	For 60" Wide Tops	60"	1 1/8"	15 7/8"	YMPT1660()	361.	449.	818.	939.	1,220.
	For 66" Wide Tops	66"	1 1/8"	15 7/8"	YMPT1666()	406.	495.	838.	964.	1,255.
	For 72" Wide Tops	72"	1 1/8"	15 7/8"	YMPT1672()	412.	502.	862.	991.	1,289.
	For 78" Wide Tops	78"	1 1/8"	15 7/8"	YMPT1678()	419.	508.	894.	1,030.	1,337.
	For 84" Wide Tops	84"	1 1/8"	15 7/8"	YMPT1684()	424.	514.	916.	1,055.	1,370.

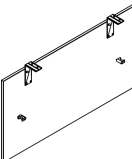
Antenna Simple Tables

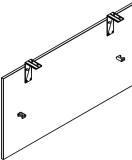
Ordering Information	Order Code	Included With	Options
Modesty Panels for Simple Tables 1. Pattern Number 2. Surface Finish 3. Bracket Paint Finish	Modesty Panels for Simple Tables <i>Example:</i> YMPT1748P, 118T, 118T YMPT Modesty Panel Simple Table <hr/> 17 Height <hr/> 48 Width <hr/> P Paint <hr/> 118T Bright White Paint <hr/> 118T Bright White Paint	Modesty Panels for Simple Tables Attachment brackets Hardware	Modesty Panels for Simple Tables Finish Options: (P)=Painted (L)=Laminate (V)=Veneer

Modesty Panels for Simple Tables

Full Height

Painted, Laminate or Veneer

description	type	w	d	h	pattern no.	Painted (P)	Laminate (L)	V1 (V)	V2 (V)	V3 (V)
	For 36" Wide Tops	36"	1 1/8"	26 7/8"	YMPT2736()	\$309.	\$389.	\$765.	\$881.	\$1,144.
	For 42" Wide Tops	42"	1 1/8"	26 7/8"	YMPT2742()	319.	400.	797.	917.	1,193.
	For 48" Wide Tops	48"	1 1/8"	26 7/8"	YMPT2748()	331.	408.	838.	967.	1,256.
	For 54" Wide Tops	54"	1 1/8"	26 7/8"	YMPT2754()	339.	417.	872.	1,003.	1,305.
	For 60" Wide Tops	60"	1 1/8"	26 7/8"	YMPT2760()	398.	563.	945.	1,090.	1,416.
	For 66" Wide Tops	66"	1 1/8"	26 7/8"	YMPT2766()	445.	612.	982.	1,128.	1,467.
	For 72" Wide Tops	72"	1 1/8"	26 7/8"	YMPT2772()	456.	620.	1,012.	1,166.	1,514.
	For 78" Wide Tops	78"	1 1/8"	26 7/8"	YMPT2778()	466.	630.	1,056.	1,213.	1,578.
	For 84" Wide Tops	84"	1 1/8"	26 7/8"	YMPT2784()	476.	640.	1,088.	1,251.	1,626.

	For 36" Wide Tops	36"	1 1/8"	26 1/2"	YMPT2636()	309.	389.	765.	881.	1,144.
	For 42" Wide Tops	42"	1 1/8"	26 7/8"	YMPT2642()	319.	400.	797.	917.	1,193.
	For 48" Wide Tops	48"	1 1/8"	26 7/8"	YMPT2648()	331.	408.	838.	967.	1,256.
	For 54" Wide Tops	54"	1 1/8"	26 7/8"	YMPT2654()	339.	417.	872.	1,003.	1,305.
	For 60" Wide Tops	60"	1 1/8"	26 7/8"	YMPT2660()	398.	563.	945.	1,090.	1,416.
	For 66" Wide Tops	66"	1 1/8"	26 7/8"	YMPT2666()	445.	612.	982.	1,128.	1,467.
	For 72" Wide Tops	72"	1 1/8"	26 7/8"	YMPT2672()	456.	620.	1,012.	1,166.	1,514.
	For 78" Wide Tops	78"	1 1/8"	26 7/8"	YMPT2678()	466.	630.	1,056.	1,213.	1,578.
	For 84" Wide Tops	84"	1 1/8"	26 7/8"	YMPT2684()	476.	640.	1,088.	1,251.	1,626.

Ordering Information

Modesty Panels for Simple Tables

1. Pattern Number
2. Surface Finish
3. Bracket Paint Finish

Order Code

Modesty Panels for Simple Tables

Example: YMPT1748P, 118T, 118T

YMPT Modesty Panel Simple Table

17 Height

48 Width

P Paint

118T Bright White Paint

118T Bright White Paint

Included With

Modesty Panels for Simple Tables

Attachment brackets
Hardware



Options

Modesty Panels for Simple Tables

Finish Options:

(P)=Painted
(L)=Laminate
(V)=Veneer

Antenna Simple Table Tops 18" and 24" Deep Rectangular

description	w	d	h	pattern no.	Laminate (L)	M/V1 (V)	V2 (V)	V3 (V)
Antenna Simple Table Tops, 18" Deep Rectangular 	36"	18"	1 1/4"	YTSS3618N(L/V)	\$232.	\$485.	\$556.	\$748.
	42"	18"	1 1/4"	YTSS4218N(L/V)	268.	511.	587.	786.
	48"	18"	1 1/4"	YTSS4818N(L/V)	296.	530.	608.	818.
	54"	18"	1 1/4"	YTSS5418N(L/V)	314.	555.	640.	857.
	60"	18"	1 1/4"	YTSS6018N(L/V)	341.	581.	668.	896.
	66"	18"	1 1/4"	YTSS6618N(L/V)	366.	606.	696.	936.
	72"	18"	1 1/4"	YTSS7218N(L/V)	386.	632.	725.	976.
	78"	18"	1 1/4"	YTSS7818N(L/V)	415.	655.	754.	1,013.
	84"	18"	1 1/4"	YTSS8418N(L/V)	435.	688.	788.	1,063.
Antenna Simple Table Tops, 24" Deep Rectangular 	36"	24"	1 1/4"	YTSS3624N(L/V)	266.	522.	602.	808.
	42"	24"	1 1/4"	YTSS4224N(L/V)	302.	550.	631.	847.
	48"	24"	1 1/4"	YTSS4824N(L/V)	337.	573.	657.	886.
	54"	24"	1 1/4"	YTSS5424N(L/V)	364.	612.	702.	944.
	60"	24"	1 1/4"	YTSS6024N(L/V)	392.	650.	747.	1,004.
	66"	24"	1 1/4"	YTSS6624N(L/V)	423.	677.	776.	1,043.
	72"	24"	1 1/4"	YTSS7224N(L/V)	439.	701.	806.	1,083.
	78"	24"	1 1/4"	YTSS7824N(L/V)	473.	732.	841.	1,134.
	84"	24"	1 1/4"	YTSS8424N(L/V)	500.	766.	877.	1,181.

Antenna Simple Tables

Ordering Information

Antenna Simple Table Tops

1. Pattern Number
2. Grommet / no grommet
3. Top Finish Type
4. Top Finish
5. Edge Finish
(for laminate tops only)
6. Grommet finish (paint)

Order Code

Antenna Simple Table Tops	
<i>Example:</i> YTSS6024NL, 118, 118	
YTSS	Antenna Simple Table Top
60	Width
24	Depth
N	No Grommet
L	Laminate
118	Bright White Laminate
118	Bright White Edge

Included With

Antenna Simple Table Tops
Simple Table Top with inserts

Options

Antenna Simple Table Tops

- (N) No grommet
- (G) Grommet

For Grommets, add \$50 for rectangular tops.


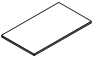
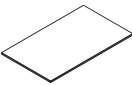
Top Finish Options:

- (L) = Laminate
- (M) = Laminate top with wood edge
- (V) = Veneer

Top may be specified in any Knoll core laminate or veneer.

Antenna Simple Table Tops

27", 30" and 36"D tops

description	w	d	h	pattern no.	Laminate (L)	M/V1 (V)	V2 (V)	V3 (V)
Antenna Simple Table Tops, 27" Deep Rectangular 	36"	27"	1 1/4"	YTSS3627N(L/V)	\$296.	\$550.	\$631.	\$847.
	42"	27"	1 1/4"	YTSS4227N(L/V)	331.	573.	657.	886.
	48"	27"	1 1/4"	YTSS4827N(L/V)	364.	606.	696.	936.
	54"	27"	1 1/4"	YTSS5427N(L/V)	404.	645.	739.	993.
	60"	27"	1 1/4"	YTSS6027N(L/V)	438.	682.	782.	1,052.
	66"	27"	1 1/4"	YTSS6627N(L/V)	480.	701.	806.	1,083.
	72"	27"	1 1/4"	YTSS7227N(L/V)	502.	726.	835.	1,121.
	78"	27"	1 1/4"	YTSS7827N(L/V)	536.	758.	870.	1,171.
	84"	27"	1 1/4"	YTSS8427N(L/V)	567.	788.	906.	1,221.
Antenna Simple Table Tops, 30" Deep Rectangular 	36"	30"	1 1/4"	YTSS3630N(L/V)	327.	581.	668.	896.
	42"	30"	1 1/4"	YTSS4230N(L/V)	355.	601.	688.	925.
	48"	30"	1 1/4"	YTSS4830N(L/V)	392.	645.	739.	993.
	54"	30"	1 1/4"	YTSS5430N(L/V)	443.	682.	782.	1,052.
	60"	30"	1 1/4"	YTSS6030N(L/V)	487.	721.	826.	1,112.
	66"	30"	1 1/4"	YTSS6630N(L/V)	543.	732.	841.	1,134.
	72"	30"	1 1/4"	YTSS7230N(L/V)	561.	759.	870.	1,171.
	78"	30"	1 1/4"	YTSS7830N(L/V)	600.	788.	906.	1,221.
	84"	30"	1 1/4"	YTSS8430N(L/V)	636.	822.	943.	1,270.
Antenna Simple Table Tops, 36" Deep Rectangular 	36"	36"	1 1/4"	YTSS3636N(L/V)	357.	618.	709.	954.
	42"	36"	1 1/4"	YTSS4236N(L/V)	389.	655.	754.	1,013.
	48"	36"	1 1/4"	YTSS4836N(L/V)	428.	695.	797.	1,071.
	54"	36"	1 1/4"	YTSS5436N(L/V)	485.	732.	841.	1,134.
	60"	36"	1 1/4"	YTSS6036N(L/V)	536.	772.	885.	1,192.
	66"	36"	1 1/4"	YTSS6636N(L/V)	594.	810.	928.	1,249.
	72"	36"	1 1/4"	YTSS7236N(L/V)	616.	847.	972.	1,310.
	78"	36"	1 1/4"	YTSS7836N(L/V)	655.	885.	1,015.	1,368.
	84"	36"	1 1/4"	YTSS8436N(L/V)	698.	922.	1,059.	1,427.

Ordering Information

Antenna Simple Table Tops

1. Pattern Number
2. Grommet / no grommet
3. Top Finish Type
4. Top Finish
5. Edge Finish
(for laminate tops only)
6. Grommet finish (paint)

Order Code

Antenna Simple Table Tops	
<i>Example:</i> YTSS6024NL, 118, 118	
YTSS	Antenna Simple Table Top
60	Width
24	Depth
N	No Grommet
L	Laminate
118	Bright White Laminate
118	Bright White Edge

Included With

Antenna Simple Table Tops
Simple Table Top with inserts

Options

Antenna Simple Table Tops

(N) No grommet
(G) Grommet

For Grommets, add \$50 for rectangular tops.

Top Finish Options:

(L) = Laminate
(M) = Laminate top with wood edge
(V) = Veneer

Top may be specified in any Knoll core laminate or veneer.

Antenna Simple Table Tops

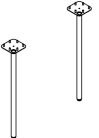
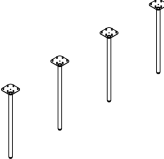

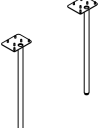
Bullet and 120 Degree Shape

description	w	d	h	pattern no.	Laminate (L)	M/V1 (V)	V2 (V)	V3 (V)
Antenna Simple Table Tops, Bullet Shape	60"	30"	1 1/4"	YTSB6030N(L/V)	\$1,103.	\$1,295.	\$1,380.	\$1,621.
	72"	36"	1 1/4"	YTSB7236N(L/V)	1,128.	1,978.	2,091.	2,410.
	84"	42"	1 1/4"	YTSB8442N(L/V)	1,643.	2,081.	2,213.	2,611.
Antenna Simple Table Tops, 120 Degree Shape	48"	24"	1 1/4"	YTSVC4824N(L/V)	872.	1,909.	2,194.	2,851.
	48"	27"	1 1/4"	YTSVC4827N(L/V)	885.	1,942.	2,232.	2,897.
	54"	24"	1 1/4"	YTSVC5424N(L/V)	929.	2,018.	2,320.	3,012.
	54"	27"	1 1/4"	YTSVC5427N(L/V)	1,029.	n/a	n/a	n/a
	60"	24"	1 1/4"	YTSVC6024N(L/V)	1,072.	n/a	n/a	n/a
	60"	27"	1 1/4"	YTSVC6027N(L/V)	1,089.	n/a	n/a	n/a

Ordering Information	Order Code	Included With	Options
Antenna Simple Table Tops 1. Pattern Number 2. Grommet / no grommet 3. Top Finish Type 4. Top Finish 5. Edge Finish (for laminate tops only) 6. Grommet finish (paint)	Antenna Simple Table Tops <i>Example:</i> YTSS6024NL, 118, 118 YTSS Antenna Simple Table Top <hr/> 60 Width <hr/> 24 Depth <hr/> N No Grommet <hr/> L Laminate <hr/> 118 Bright White Laminate <hr/> 118 Bright White Edge	Antenna Simple Table Tops Simple Table Top with inserts	Antenna Simple Table Tops (N) No grommet (G) Grommet For Grommets, add \$50 for rectangular tops. Top Finish Options: (L) = Laminate (M) = Laminate top with wood edge (V) = Veneer Top may be specified in any Knoll core laminate or veneer.

Antenna Simple Table Legs

Legs Kit of 2, Legs Kit of 4 and Shared Legs



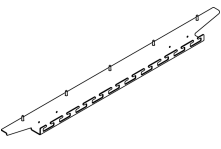



description	type	w	d	h	pattern no.	list
 Antenna Simple Table Legs, (Pair)	Desk height high range	5"	5"	27 1/4"	YBSLDH2	\$415.
	Desk height low range	5"	5"	24 1/2"	YBSLDL2	408.
	Desk height with casters	5"	5"	27 1/4"	YBSLDC2	446.
 Antenna Simple Table Legs, (Kit of 4)	Desk height high range	5"	5"	27 1/4"	YBSLDH4	828.
	Desk height low range	5"	5"	24 1/2"	YBSLDL4	817.
	Desk height with casters	5"	5"	27 1/4"	YBSLDC4	894.
 Antenna Simple Table Shared Leg, (Individual)	Desk height high range	5"	5"	27 1/4"	YBSSLDH1	255.
	Desk height low range	5"	5"	24 1/2"	YBSSLDL1	250.
	Desk height with casters	5"	5"	27 1/4"	YBSSLDC1	270.
 Antenna Simple Table Shared Leg, (Pair)	Desk height high range	5"	5"	27 1/4"	YBSSLDH2	508.
	Desk height low range	5"	5"	24 1/2"	YBSSLDL2	496.
	Desk height with casters	5"	5"	27 1/4"	YBSSLDC2	542.

Ordering Information	Order Code	Included With	Options
Antenna Simple Table Legs 1. Pattern Number 2. Leg Paint Finish	Antenna Simple Table Legs <i>Example:</i> YBSLDH2 YBSL Antenna Simple Table Leg DH Desk Height High Range 2 Pair	Antenna Simple Table Legs Simple Table Legs with glides or casters Attachment hardware	Antenna Simple Table Legs

Antenna Simple Table Power and Accessories

Linking Bracket, Wire management, Power and Accessories

Antenna Workspaces

description	type	w	d	h	pattern no.	list
Antenna Simple Table Linking Bracket, (Pair)	For Linking two Simple Tables	9.5"	1 1/8"	3/8"	YKLB	\$83.
						
Antenna Simple Table Caster Kit (Pair)	Pair of locking casters			2 1/2"	YBSCN	72.
	Pair of non-locking casters			2 1/2"	YBSCN	72.
Antenna Simple Table Stiffener	For 36" wide Simple Table	27"	2 3/4"	1 3/4"	YTSS36	155.
	For 42" wide Simple Table	33"	2 3/4"	1 3/4"	YTSS42	165.
	For 48" wide Simple Table	39"	2 3/4"	1 3/4"	YTSS48	177.
	For 54" wide Simple Table	45"	2 3/4"	1 3/4"	YTSS54	187.
	For 60" wide Simple Table	51"	2 3/4"	1 3/4"	YTSS60	200.
	For 66" wide Simple Table	57"	2 3/4"	1 3/4"	YTSS66	210.
	For 72" wide Simple Table	63"	2 3/4"	1 3/4"	YTSS72	220.
	For 78" wide Simple Table	69"	2 3/4"	1 3/4"	YTSS78	250.
	For 84" wide Simple Table	75"	2 3/4"	1 3/4"	YTSS84	260.
Antenna Simple Table Vertical Wire Manager	For Antenna Simple Table desk height high range and desk height with casters	1"	3/4"	25 1/2"	YR1SVWMH	33.
	For Antenna Simple Table desk height low range and desk height with casters	1"	3/4"	22 1/2"	YR1SVWML	33.
Antenna Simple Table Power Strip	Mounts to Antenna Simple Table Stiffener	24"	1 1/2"	1 1/2"	YR1SPS24	375.
						
Antenna Simple Table Cable Clip	Mounts to Antenna Simple Table Stiffener	1 1/4"	1/2"	1 1/4"	YR1SCC10	20.
						
Antenna Simple Table Communications Mounting Box	Mounts to underside of worksurface				YR1SCMB	46.

Antenna Simple Tables

Ordering Information	Order Code	Included With	Options
Antenna Simple Table Linking Bracket	Antenna Simple Table Linking Bracket	Antenna Simple Table Linking Bracket	Antenna Simple Table Linking Bracket
1. Pattern Number	<i>Example:</i> YKLB	Linking bracket (pair)	
	YK Antenna Simple Table Kit	Attachment hardware	
	LB Linking Bracket	Storage mount	

Antenna Simple Table Power and Accessories

Linking Bracket, Wire management, Power and Accessories

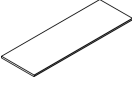
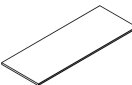
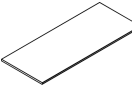
description	type	w	d	h	pattern no.	list
Antenna Simple Table Insert Kit 	for mounting Simple Table Legs on Non-Simple Table Tops				YKSI	\$30.

Ordering Information	Order Code	Included With	Options
Antenna Simple Table Linking Bracket	Antenna Simple Table Linking Bracket	Antenna Simple Table Linking Bracket	Antenna Simple Table Linking Bracket
1. Pattern Number	<i>Example:</i> YKLB	Linking bracket (pair) Attachment hardware Storage mount	
	YK Antenna Simple Table Kit		
	LB Linking Bracket		

Antenna Telescope Rectangular Tops for Adjustable Dual Tables

Antenna Workspaces

24", 27" and 30" Deep Rectangular

description	type	w	d	h	pattern no.	Laminate (L)	M/V1 (V)	V2 (V)	V3 (V)
Antenna Telescope Adjustable Tops, 24" Deep Rectangular 	For use with Telescope Adjustable Dual Tables	47"	24"	1 1/4"	YTT4724()	\$321.	\$554.	\$638.	\$862.
	For use with Telescope Adjustable Dual Tables	53"	24"	1 1/4"	YTT5324()	348.	591.	681.	919.
	For use with Telescope Adjustable Dual Tables	59"	24"	1 1/4"	YTT5924()	374.	629.	724.	979.
	For use with Telescope Adjustable Dual Tables	65"	24"	1 1/4"	YTT6524()	406.	655.	754.	1,016.
	For use with Telescope Adjustable Dual Tables	71"	24"	1 1/4"	YTT7124()	422.	680.	783.	1,056.
	For use with Telescope Adjustable Dual Tables	77"	24"	1 1/4"	YTT7724()	454.	711.	820.	1,107.
	For use with Telescope Adjustable Dual Tables	83"	24"	1 1/4"	YTT8324()	482.	745.	854.	1,153.
Antenna Telescope Adjustable Tops, 27" Deep Rectangular 	For use with Telescope Adjustable Dual Tables	47"	27"	1 1/4"	YTT4727()	348.	586.	675.	911.
	For use with Telescope Adjustable Dual Tables	53"	27"	1 1/4"	YTT5327()	388.	624.	718.	968.
	For use with Telescope Adjustable Dual Tables	59"	27"	1 1/4"	YTT5927()	421.	660.	760.	1,026.
	For use with Telescope Adjustable Dual Tables	65"	27"	1 1/4"	YTT6527()	463.	680.	783.	1,056.
	For use with Telescope Adjustable Dual Tables	71"	27"	1 1/4"	YTT7127()	484.	704.	812.	1,094.
	For use with Telescope Adjustable Dual Tables	77"	27"	1 1/4"	YTT7727()	516.	734.	847.	1,143.
	For use with Telescope Adjustable Dual Tables	83"	27"	1 1/4"	YTT8327()	548.	766.	882.	1,192.
Antenna Telescope Adjustable Tops, 30" Deep Rectangular 	For use with Telescope Adjustable Dual Tables	47"	30"	1 1/4"	YTT4730()	374.	624.	718.	968.
	For use with Telescope Adjustable Dual Tables	53"	30"	1 1/4"	YTT5330()	426.	660.	760.	1,026.
	For use with Telescope Adjustable Dual Tables	59"	30"	1 1/4"	YTT5930()	469.	699.	802.	1,084.
	For use with Telescope Adjustable Dual Tables	65"	30"	1 1/4"	YTT6530()	522.	711.	820.	1,107.
	For use with Telescope Adjustable Dual Tables	71"	30"	1 1/4"	YTT7130()	542.	735.	847.	1,143.
	For use with Telescope Adjustable Dual Tables	77"	30"	1 1/4"	YTT7730()	579.	766.	882.	1,192.
	For use with Telescope Adjustable Dual Tables	83"	30"	1 1/4"	YTT8330()	616.	798.	918.	1,241.

Antenna Telescope

Ordering Information

Antenna Telescope Tops

1. Pattern Number
2. Top Finish Type
3. Top Finish
4. Edge Finish
(for laminate tops only)

Order Code

Antenna Telescope Tops

Example: **YTT5930L, 118, 118**

YTT	Antenna Telescope Top
59	Width
30	Depth
L	Laminate
118	Bright White Laminate
118	Bright White Edge

Included With

Antenna Telescope Tops

Options




Antenna Telescope Tops

Top Finish Options:

Add an (L) for laminate, (M) for laminate with wood edge or (V) for veneer suffix to pattern number.

Antenna Telescope Radiused Tops for Adjustable Dual Tables Antenna Workspaces

24", 27" and 30" Deep for use with k. screen

description	type	w	d	h	pattern no.	Laminate (L)	M/V1 (V)	V2 (V)	V3 (V)
Antenna Telescope Adjustable Tops, 24" Deep Rectangular Radiused 	For use with Wrapping k. screen	46"	24"	1 1/4"	YTTRC4624()	\$401.	\$693.	\$798.	\$1,078.
		52"	24"	1 1/4"	YTTRC5224()	435.	739.	851.	1,149.
		58"	24"	1 1/4"	YTTRC5824()	468.	786.	905.	1,224.
		64"	24"	1 1/4"	YTTRC6424()	508.	819.	943.	1,270.
		70"	24"	1 1/4"	YTTRC7024()	528.	850.	979.	1,320.
		76"	24"	1 1/4"	YTTRC7624()	568.	889.	1,025.	1,384.
		82"	24"	1 1/4"	YTTRC8224()	603.	931.	1,068.	1,441.
Antenna Telescope Adjustable Tops, 27" Deep Rectangular Radiused 	For use with Wrapping k. screen	46"	27"	1 1/4"	YTTRC4627()	435.	733.	844.	1,139.
		52"	27"	1 1/4"	YTTRC5227()	485.	780.	898.	1,210.
		58"	27"	1 1/4"	YTTRC5827()	526.	825.	950.	1,283.
		64"	27"	1 1/4"	YTTRC6427()	579.	850.	979.	1,320.
		70"	27"	1 1/4"	YTTRC7027()	605.	880.	1,015.	1,368.
		76"	27"	1 1/4"	YTTRC7627()	645.	918.	1,059.	1,429.
		82"	27"	1 1/4"	YTTRC8227()	685.	958.	1,103.	1,490.
Antenna Telescope Adjustable Tops, 30" Deep Rectangular Radiused 	For use with Wrapping k. screen	46"	30"	1 1/4"	YTTRC4630()	468.	780.	898.	1,210.
		52"	30"	1 1/4"	YTTRC5230()	533.	825.	950.	1,283.
		58"	30"	1 1/4"	YTTRC5830()	586.	874.	1,003.	1,355.
		64"	30"	1 1/4"	YTTRC6430()	653.	889.	1,025.	1,384.
		70"	30"	1 1/4"	YTTRC7030()	678.	919.	1,059.	1,429.
		76"	30"	1 1/4"	YTTRC7630()	724.	958.	1,103.	1,490.
		82"	30"	1 1/4"	YTTRC8230()	770.	998.	1,148.	1,551.

Ordering Information

Antenna Tops

1. Pattern Number
2. Top Finish
3. Edge Finish
(laminated tops only)

Order Code

Antenna Telescope Radiused

Tops Example	YTTRC4727, 118, 118
YTT	Antenna Telescope Top
RC	Rectangular Radiused Top
47	Width
27	Depth
L	Laminate
118	Bright White Laminate
118T	Bright White Edge

Application Notes

Options




Antenna Telescope Radiused Tops

Top Finish Options:

Add an;
(L) = for laminate
(V) = for veneer
suffix to pattern number.

Antenna Telescope Radiused Tops for Adjustable Dual Tables Antenna Workspaces

24", 27" and 30" Deep

description	type	w	d	h	pattern no.	Laminate (L)	M/V1 (V)	V2 (V)	V3 (V)
Antenna Telescope Adjustable Tops, 24" Deep Rectangular Radiused 	For use with Telescope Adjustable Dual Bases	47"	24"	1 1/4"	YTTRC4724()	\$401.	\$693.	\$798.	\$1,078.
		53"	24"	1 1/4"	YTTRC5324()	435.	739.	851.	1,149.
		59"	24"	1 1/4"	YTTRC5924()	468.	786.	905.	1,224.
		65"	24"	1 1/4"	YTTRC6524()	508.	819.	943.	1,270.
		71"	24"	1 1/4"	YTTRC7124()	528.	850.	979.	1,320.
		77"	24"	1 1/4"	YTTRC7724()	568.	889.	1,025.	1,384.
		83"	24"	1 1/4"	YTTRC8324()	603.	931.	1,068.	1,441.
Antenna Telescope Adjustable Tops, 27" Deep Rectangular Radiused 	For use with Telescope Adjustable Dual Bases	47"	27"	1 1/4"	YTTRC4727()	435.	733.	844.	1,139.
		53"	27"	1 1/4"	YTTRC5327()	485.	780.	898.	1,210.
		59"	27"	1 1/4"	YTTRC5927()	526.	825.	950.	1,283.
		65"	27"	1 1/4"	YTTRC6527()	579.	850.	979.	1,320.
		71"	27"	1 1/4"	YTTRC7127()	605.	880.	1,015.	1,368.
		77"	27"	1 1/4"	YTTRC7727()	645.	918.	1,059.	1,429.
		83"	27"	1 1/4"	YTTRC8327()	685.	958.	1,103.	1,490.
Antenna Telescope Adjustable Tops, 30" Deep Rectangular Radiused 	For use with Telescope Adjustable Dual Bases	47"	30"	1 1/4"	YTTRC4730()	468.	780.	898.	1,210.
		53"	30"	1 1/4"	YTTRC5330()	533.	825.	950.	1,283.
		59"	30"	1 1/4"	YTTRC5930()	586.	874.	1,003.	1,355.
		65"	30"	1 1/4"	YTTRC6530()	653.	889.	1,025.	1,384.
		71"	30"	1 1/4"	YTTRC7130()	678.	919.	1,059.	1,429.
		77"	30"	1 1/4"	YTTRC7730()	724.	958.	1,103.	1,490.
		83"	30"	1 1/4"	YTTRC8330()	770.	998.	1,148.	1,551.

Antenna Telescope

Ordering Information

Antenna Tops

1. Pattern Number
2. Top Finish
3. Edge Finish
(laminite tops only)

Order Code

Antenna Telescope Radiused

Tops Example	
YTTRC4727, 118, 118	
YTT	Antenna Telescope Top
RC	Rectangular Radiused Top
47	Width
27	Depth
L	Laminate
118	Bright White Laminate
118T	Bright White Edge

Application Notes


Options


Antenna Telescope Radiused Tops


Top Finish Options:

Add an;
(L) = for laminate
(V) = for veneer
suffix to pattern number.

Antenna Telescope Tops for Adjustable 120° Triads 24", 27" and 30" Deep

description	type	w	d	h	pattern no.	Laminate (L)	M/V1 (V)	V2 (V)	V3 (V)
Antenna Telescope Adjustable Tops, 24" Deep 120° 	For use with Telescope 120° Bases	47"	24"		YTTVC4724()	\$861.	\$1,899.	\$2,184.	\$2,839.
	For use with Telescope 120° Bases	53"	24"		YTTVC5324()	918.	2,007.	2,310.	3,001.
	For use with Telescope 120° Bases	59"	24"		YTTVC5924()	1,062.	n/a	n/a	n/a

Antenna Telescope Adjustable Tops, 27" Deep 120° 	For use with Telescope 120° Bases	47"	27"		YTTVC4727()	874.	1,930.	2,221.	2,887.
	For use with Telescope 120° Bases	53"	27"		YTTVC5327()	1,017.	n/a	n/a	n/a
	For use with Telescope 120° Bases	59"	27"		YTTVC5927()	1,078.	n/a	n/a	n/a

Antenna Telescope Adjustable Tops, 30" Deep 120° 	For use with Telescope 120° Bases	47"	30"		YTTVC4730()	888.	1,961.	2,258.	2,935.
	For use with Telescope 120° Bases	53"	30"		YTTVC5330()	1,096.	n/a	n/a	n/a
	For use with Telescope 120° Bases	59"	30"		YTTVC5930()	1,116.	n/a	n/a	n/a

Ordering Information

Antenna Telescope 120° Triad

1. Pattern Number
2. Control Switch
3. Base Finish

Order Code

Antenna Telescope 120° Triad

Example: **YBTYESBN148, D, 118T**

YBTY	Antenna Telescope 120° Triad
ES	Standard Electric
BN	With Beam
1	1 Connection
60	Width
D	Digital Display
118T	Bright White Paint

Included With

Antenna Telescope 120° Triad

Columns
Center Beam
Dual Trays
Rails
Connecting Hardware

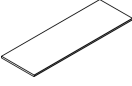
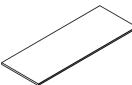
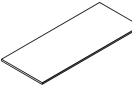
Options

Antenna Telescope 120° Triad

Control Switch Options:

(S) = Standard up/down control switch
(D) = Digital Display with programmable settings. Add \$954 list for the digital display selection.

Antenna Telescope Tops for Fixed Dual Tables 24", 27" and 30" Deep Rectangular

description	type	w	d	h	pattern no.	Laminate (L)	Mixed/V1 (M/V)	V2 (V)	V3 (V)
Antenna Telescope Fixed Tops, 24" Deep Rectangular 	For use with Telescope Fixed Dual Tables	48"	24"	1 1/4"	YTT4824()	\$321.	\$554.	\$638.	\$862.
		54"	24"	1 1/4"	YTT5424()	348.	591.	681.	919.
		60"	24"	1 1/4"	YTT6024()	374.	629.	724.	979.
		66"	24"	1 1/4"	YTT6624()	406.	655.	754.	1,016.
		72"	24"	1 1/4"	YTT7224()	422.	680.	783.	1,056.
		78"	24"	1 1/4"	YTT7824()	454.	711.	820.	1,107.
		84"	24"	1 1/4"	YTT8424()	482.	745.	854.	1,153.
Antenna Telescope Fixed Tops, 27" Deep Rectangular 	For use with Telescope Fixed Dual Tables	48"	27"	1 1/4"	YTT4827()	348.	586.	675.	911.
		54"	27"	1 1/4"	YTT5427()	388.	624.	718.	968.
		60"	27"	1 1/4"	YTT6027()	421.	660.	760.	1,026.
		66"	27"	1 1/4"	YTT6627()	463.	680.	783.	1,056.
		72"	27"	1 1/4"	YTT7227()	484.	704.	812.	1,094.
		78"	27"	1 1/4"	YTT7827()	516.	735.	847.	1,143.
		84"	27"	1 1/4"	YTT8427()	548.	766.	882.	1,192.
Antenna Telescope Fixed Tops, 30" Deep Rectangular 	For use with Telescope Fixed Dual Tables	48"	30"	1 1/4"	YTT4830()	374.	624.	718.	968.
		54"	30"	1 1/4"	YTT5430()	426.	660.	760.	1,026.
		60"	30"	1 1/4"	YTT6030()	469.	699.	802.	1,084.
		66"	30"	1 1/4"	YTT6630()	522.	711.	820.	1,107.
		72"	30"	1 1/4"	YTT7230()	542.	735.	847.	1,143.
		78"	30"	1 1/4"	YTT7830()	579.	766.	882.	1,192.
		84"	30"	1 1/4"	YTT8430()	616.	798.	918.	1,241.

Antenna Telescope

Ordering Information

Antenna Telescope Tops

1. Pattern Number
2. Top Finish Type
3. Top Finish
4. Edge Finish
(for laminate tops only)

Order Code

Antenna Telescope Tops

Example: **YTT6030L, 118, 118**

YTT	Antenna Simple Table
60	Width
30	Depth
L	Laminate
118	Bright White Laminate
118	Bright White Edge

Included With

Antenna Telescope Tops

Options

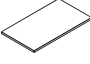


Antenna Telescope Tops

Top Finish Options:

Add an (L) for laminate, (M) for laminate with wood edge or (V) for veneer suffix to pattern number.

Antenna Telescope Return Tops for Dual Tables

24", 27" and 30" Deep Rectangular

description	type	w	d	h	pattern no.	Laminate (L)	M/V1 (V)	V2 (V)	V3 (V)
Antenna Telescope Return Tops, 24" Deep Rectangular 	For use with Telescope Return Bases	30"	24"	1 1/4"	YTTR3024()	\$225.	\$482.	\$552.	\$748.
	For use with Telescope Return Bases	36"	24"	1 1/4"	YTTR3624()	252.	504.	581.	785.
	For use with Telescope Return Bases	42"	24"	1 1/4"	YTTR4224()	287.	531.	612.	824.
	For use with Telescope Return Bases	48"	24"	1 1/4"	YTTR4824()	321.	554.	638.	862.
	For use with Telescope Return Bases	54"	24"	1 1/4"	YTTR5424()	348.	591.	681.	919.
	For use with Telescope Return Bases	60"	24"	1 1/4"	YTTR6024()	374.	629.	724.	979.
	For use with Telescope Return Bases	66"	24"	1 1/4"	YTTR6624()	406.	655.	754.	1,016.
	For use with Telescope Return Bases	72"	24"	1 1/4"	YTTR7224()	422.	680.	783.	1,056.
Antenna Telescope Return Tops, 27" Deep Rectangular 	For use with Telescope Return Bases	30"	27"	1 1/4"	YTTR3027()	254.	499.	574.	775.
	For use with Telescope Return Bases	36"	27"	1 1/4"	YTTR3627()	282.	531.	612.	824.
	For use with Telescope Return Bases	42"	27"	1 1/4"	YTTR4227()	314.	554.	638.	862.
	For use with Telescope Return Bases	48"	27"	1 1/4"	YTTR4827()	348.	586.	675.	911.
	For use with Telescope Return Bases	54"	27"	1 1/4"	YTTR5427()	388.	624.	718.	968.
	For use with Telescope Return Bases	60"	27"	1 1/4"	YTTR6027()	421.	660.	760.	1,026.
	For use with Telescope Return Bases	66"	27"	1 1/4"	YTTR6627()	463.	680.	783.	1,056.
	For use with Telescope Return Bases	72"	27"	1 1/4"	YTTR7227()	484.	704.	812.	1,094.
Antenna Telescope Return Tops, 30" Deep Rectangular 	For use with Telescope Return Bases	30"	30"	1 1/4"	YTTR3030()	282.	524.	603.	814.
	For use with Telescope Return Bases	36"	30"	1 1/4"	YTTR3630()	310.	563.	648.	872.
	For use with Telescope Return Bases	42"	30"	1 1/4"	YTTR4230()	339.	580.	667.	901.
	For use with Telescope Return Bases	48"	30"	1 1/4"	YTTR4830()	374.	624.	718.	968.
	For use with Telescope Return Bases	54"	30"	1 1/4"	YTTR5430()	426.	660.	760.	1,026.
	For use with Telescope Return Bases	60"	30"	1 1/4"	YTTR6030()	469.	699.	802.	1,084.
	For use with Telescope Return Bases	66"	30"	1 1/4"	YTTR6630()	522.	711.	820.	1,107.
	For use with Telescope Return Bases	72"	30"	1 1/4"	YTTR7230()	542.	735.	847.	1,143.

Ordering Information

Antenna Telescope Tops

1. Pattern Number
2. Top Finish Type
3. Top Finish
4. Edge Finish
(for laminate tops only)

Order Code

Antenna Telescope Tops

Example: **YTTR5930L, 118, 118**

YTTR	Antenna Telescope Return Top
59	Width
30	Depth
L	Laminate
118	Bright White Laminate
118	Bright White Edge

Included With

Antenna Telescope Tops

Options

Antenna Telescope Tops

Top Finish Options:

Add an (L) for laminate, (M) for laminate with wood edge or (V) for veneer suffix to pattern number.

Antenna Telescope Dual Table Bases

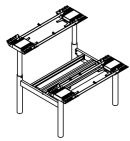
Standard Electric

With Beam and Dual Utility Trays

description	type	w	d	pattern no.	list
Telescope Base, Height Adjustable Standard Electric, with Beam and Dual Trays, Standalone	For use in standalone application	48"	45"	YBTESBTS48	\$8,568.
	For use in standalone application	54"	45"	YBTESBTS54	8,650.
	For use in standalone application	60"	45"	YBTESBTS60	8,704.
	For use in standalone application	66"	45"	YBTESBTS66	8,741.
	For use in standalone application	72"	45"	YBTESBTS72	8,764.
	For use in standalone application	78"	45"	YBTESBTS78	8,921.
	For use in standalone application	84"	45"	YBTESBTS84	9,204.



Telescope Base, Height Adjustable Standard Electric, with Beam and Dual Trays, End	For use in end application	48"	45"	YBTESBTE48	8,628.
	For use in end application	54"	45"	YBTESBTE54	8,709.
	For use in end application	60"	45"	YBTESBTE60	8,764.
	For use in end application	66"	45"	YBTESBTE66	8,802.
	For use in end application	72"	45"	YBTESBTE72	8,822.
	For use in end application	78"	45"	YBTESBTE78	8,981.
	For use in end application	84"	45"	YBTESBTE84	9,264.



Telescope Base, Height Adjustable Standard Electric, with Beam and Dual Trays, Intermediate	For use in intermediate application	48"	45"	YBTESBTI48	8,687.
	For use in intermediate application	54"	45"	YBTESBTI54	8,769.
	For use in intermediate application	60"	45"	YBTESBTI60	8,822.
	For use in intermediate application	66"	45"	YBTESBTI66	8,862.
	For use in intermediate application	72"	45"	YBTESBTI72	8,883.
	For use in intermediate application	78"	45"	YBTESBTI78	9,040.
	For use in intermediate application	84"	45"	YBTESBTI84	9,323.



Ordering Information

Antenna Telescope Dual Table Bases

1. Pattern Number
2. Control Switch
3. Base Paint Finish

Order Code

Antenna Telescope Dual Table Bases

Example: **YBTESBTE60, D, 118T**

YBT	Antenna Telescope Base
ES	Standard Electric
BT	With Beam and Trays
E	End position
60	Width
D	Digital Display
118T	Bright White Paint

Included With

Antenna Telescope Dual Table Bases

Columns
Center beam
Dual Trays
Rails
Connecting Hardware

Options

Antenna Telescope Dual Table Bases

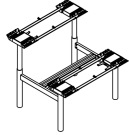
Control Switch Options:
(S) = Standard up/down control switch.
(D) = Digital Display with programmable setting. Add \$636 list for the digital display selection.
(TR) = Toggle Switch, Red.
(TG) = Toggle Switch, Grey. Add \$200 list for "Toggle Switch option".

Antenna Telescope Dual Table Bases

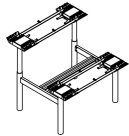
Standard Electric

With Beam Only

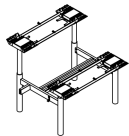
description	type	w	d	pattern no.	list
Telescope Base, Height Adjustable Standard Electric, with Beam, Standalone	For use in standalone application	48"	45"	YBTESBNS48	\$7,964.
	For use in standalone application	54"	45"	YBTESBNS54	8,008.
	For use in standalone application	60"	45"	YBTESBNS60	8,155.
	For use in standalone application	66"	45"	YBTESBNS66	8,165.
	For use in standalone application	72"	45"	YBTESBNS72	8,182.
	For use in standalone application	78"	45"	YBTESBNS78	8,215.
	For use in standalone application	84"	45"	YBTESBNS84	8,443.



Telescope Base, Height Adjustable Standard Electric, with Beam, End	For use in end application	48"	45"	YBTESBNE48	8,024.
	For use in end application	54"	45"	YBTESBNE54	8,068.
	For use in end application	60"	45"	YBTESBNE60	8,215.
	For use in end application	66"	45"	YBTESBNE66	8,225.
	For use in end application	72"	45"	YBTESBNE72	8,241.
	For use in end application	78"	45"	YBTESBNE78	8,274.
	For use in end application	84"	45"	YBTESBNE84	8,503.



Telescope Base, Height Adjustable Standard Electric, with Beam, Intermediate	For use in intermediate application	48"	45"	YBTESBNI48	8,084.
	For use in intermediate application	54"	45"	YBTESBNI54	8,127.
	For use in intermediate application	60"	45"	YBTESBNI60	8,274.
	For use in intermediate application	66"	45"	YBTESBNI66	8,286.
	For use in intermediate application	72"	45"	YBTESBNI72	8,301.
	For use in intermediate application	78"	45"	YBTESBNI78	8,334.
	For use in intermediate application	84"	45"	YBTESBNI84	8,562.



Ordering Information

Antenna Telescope Dual Table Bases

1. Pattern Number
2. Control Switch
3. Base Paint Finish

Order Code

Antenna Telescope Dual Table Bases

Example: **YBTESBNE60, D, 118T**

YBT	Antenna Telescope Base
ES	Standard Electric
BN	With Beam Only
E	End position
60	Width
D	Digital Display
118T	Bright White Paint

Included With

Antenna Telescope Dual Table Bases

Columns
Center beam
Rails
Connecting Hardware

Options

Antenna Telescope Dual Table Bases

Control Switch Options:

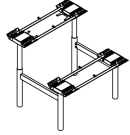
(S) = Standard up/down control switch.
(D) = Digital Display with programmable setting. Add \$636 list for the digital display selection.
(TR) = Toggle Switch, Red.
(TG) = Toggle Switch, Grey. Add \$200 list for "Toggle Switch option".

Antenna Telescope Dual Table Bases

Standard Electric

Without Beam and Dual Utility Trays

description	type	w	d	pattern no.	list
Telescope Base, Height Adjustable Standard Electric, without Beam and Tray, Standalone	For use in standalone application	48"	45"	YBTESNNS48	\$7,687.
	For use in standalone application	54"	45"	YBTESNNS54	7,730.
	For use in standalone application	60"	45"	YBTESNNS60	7,768.
	For use in standalone application	66"	45"	YBTESNNS66	7,774.
	For use in standalone application	72"	45"	YBTESNNS72	7,791.
	For use in standalone application	78"	45"	YBTESNNS78	7,823.
	For use in standalone application	84"	45"	YBTESNNS84	8,056.



Ordering Information

Antenna Telescope Dual Table Bases

1. Pattern Number
2. Control Switch
3. Base Paint Finish

Order Code

Antenna Telescope Dual Table Bases

Example: **YBTESNNE60, D, 118T**

YBT	Antenna Telescope Base
ES	Standard Electric
NN	Without Beam and Trays
E	End position
60	Width
D	Digital Display
118T	Bright White Paint

Included With

Antenna Telescope Dual Table Bases

Columns
Rails
Connecting Hardware

Options

Antenna Telescope Dual Table Bases

Control Switch Options:

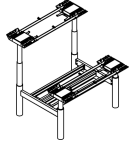
(S) = Standard up/down control switch.
(D) = Digital Display with programmable setting. Add \$636 list for the digital display selection.
(TR) = Toggle Switch, Red.
(TG) = Toggle Switch, Grey. Add \$200 list for "Toggle Switch option".

Antenna Telescope Dual Table Bases

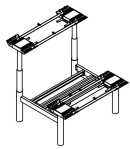
Extended Electric

With Beam and Dual Utility Trays

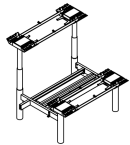
description	type	w	d	pattern no.	list
Telescope Base, Height Adjustable Extended Electric, with Beam and Dual Trays, Standalone	For use in standalone application	48"	45"	YBTEXBTS48	\$9,654.
	For use in standalone application	54"	45"	YBTEXBTS54	9,736.
	For use in standalone application	60"	45"	YBTEXBTS60	9,791.
	For use in standalone application	66"	45"	YBTEXBTS66	9,829.
	For use in standalone application	72"	45"	YBTEXBTS72	9,851.
	For use in standalone application	78"	45"	YBTEXBTS78	10,008.
	For use in standalone application	84"	45"	YBTEXBTS84	10,291.



Telescope Base, Height Adjustable Extended Electric, with Beam and Dual Trays, End	For use in end application	48"	45"	YBTEXBTE48	9,715.
	For use in end application	54"	45"	YBTEXBTE54	9,796.
	For use in end application	60"	45"	YBTEXBTE60	9,851.
	For use in end application	66"	45"	YBTEXBTE66	9,889.
	For use in end application	72"	45"	YBTEXBTE72	9,910.
	For use in end application	78"	45"	YBTEXBTE78	10,068.
	For use in end application	84"	45"	YBTEXBTE84	10,351.



Telescope Base, Height Adjustable Extended Electric, with Beam and Dual Trays, Intermediate	For use in intermediate application	48"	45"	YBTEXBTI48	9,775.
	For use in intermediate application	54"	45"	YBTEXBTI54	9,856.
	For use in intermediate application	60"	45"	YBTEXBTI60	9,910.
	For use in intermediate application	66"	45"	YBTEXBTI66	9,949.
	For use in intermediate application	72"	45"	YBTEXBTI72	9,970.
	For use in intermediate application	78"	45"	YBTEXBTI78	10,128.
	For use in intermediate application	84"	45"	YBTEXBTI84	10,410.



Ordering Information

Antenna Telescope Dual Table Bases

1. Pattern Number
2. Control Switch
3. Base Paint Finish

Order Code

Antenna Telescope Dual Table Bases

Example: **YBTEXBTE60, D, 118T**

YBT	Antenna Telescope Base
EX	Extended Electric
BT	With Beam and Trays
E	End position
60	Width
D	Digital Display
118T	Bright White Paint

Included With

Antenna Telescope Dual Table Bases

Columns
Center beam
Dual Trays
Rails
Connecting Hardware

Options

Antenna Telescope Dual Table Bases

Control Switch Options:

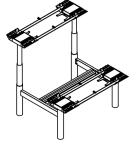
(S) = Standard up/down control switch.
(D) = Digital Display with programmable setting. Add \$636 list for the digital display selection.
(TR) = Toggle Switch, Red.
(TG) = Toggle Switch, Grey. Add \$200 list for "Toggle Switch option".

Antenna Telescope Dual Table Bases

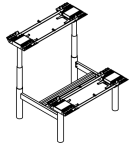
Extended Electric

With Beam Only

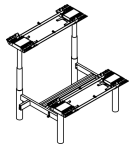
description	type	w	d	pattern no.	list
Telescope Base, Height Adjustable Extended Electric, with Beam, Standalone	For use in standalone application	48"	45"	YBTEXBNS48	\$9,052.
	For use in standalone application	54"	45"	YBTEXBNS54	9,095.
	For use in standalone application	60"	45"	YBTEXBNS60	9,241.
	For use in standalone application	66"	45"	YBTEXBNS66	9,252.
	For use in standalone application	72"	45"	YBTEXBNS72	9,270.
	For use in standalone application	78"	45"	YBTEXBNS78	9,302.
	For use in standalone application	84"	45"	YBTEXBNS84	9,530.



Telescope Base, Height Adjustable Extended Electric, with Beam, End	For use in end application	48"	45"	YBTEXBNE48	9,110.
	For use in end application	54"	45"	YBTEXBNE54	9,155.
	For use in end application	60"	45"	YBTEXBNE60	9,302.
	For use in end application	66"	45"	YBTEXBNE66	9,312.
	For use in end application	72"	45"	YBTEXBNE72	9,329.
	For use in end application	78"	45"	YBTEXBNE78	9,361.
	For use in end application	84"	45"	YBTEXBNE84	9,590.



Telescope Base, Height Adjustable Extended Electric, with Beam, Intermediate	For use in intermediate application	48"	45"	YBTEXBNI48	9,171.
	For use in intermediate application	54"	45"	YBTEXBNI54	9,214.
	For use in intermediate application	60"	45"	YBTEXBNI60	9,361.
	For use in intermediate application	66"	45"	YBTEXBNI66	9,372.
	For use in intermediate application	72"	45"	YBTEXBNI72	9,388.
	For use in intermediate application	78"	45"	YBTEXBNI78	9,421.
	For use in intermediate application	84"	45"	YBTEXBNI84	9,649.



Ordering Information

Antenna Telescope Dual Table Bases

1. Pattern Number
2. Control Switch
3. Base Paint Finish

Order Code

Antenna Telescope Dual Table Bases

Example: **YBTEXBNE60, D, 118T**

YBT	Antenna Telescope Base
EX	Extended Electric
BN	With Beam Only
E	End position
60	Width
D	Digital Display
118T	Bright White Paint

Included With

Antenna Telescope Dual Table Bases

Columns
Center beam
Rails
Connecting Hardware

Options

Antenna Telescope Dual Table Bases

Control Switch Options:

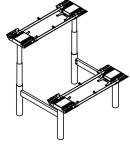
(S) = Standard up/down control switch.
(D) = Digital Display with programmable setting. Add \$636 list for the digital display selection.
(TR) = Toggle Switch, Red.
(TG) = Toggle Switch, Grey. Add \$200 list for "Toggle Switch option".

Antenna Telescope Dual Table Bases

Extended Electric

Without Beam and Dual Utility Trays

description	type	w	d	pattern no.	list
Telescope Base, Height Adjustable Extended Electric, without Beam and Tray, Standalone	For use in standalone application	48"	45"	YBTEXNNS48	\$8,774.
	For use in standalone application	54"	45"	YBTEXNNS54	8,817.
	For use in standalone application	60"	45"	YBTEXNNS60	8,856.
	For use in standalone application	66"	45"	YBTEXNNS66	8,862.
	For use in standalone application	72"	45"	YBTEXNNS72	8,877.
	For use in standalone application	78"	45"	YBTEXNNS78	8,911.
	For use in standalone application	84"	45"	YBTEXNNS84	9,144.



Ordering Information

Antenna Telescope Dual Table Bases

1. Pattern Number
2. Control Switch
3. Base Paint Finish

Order Code

Antenna Telescope Dual Table Bases

Example: **YBTEXNNE60, D, 118T**

YBT	Antenna Telescope Base
EX	Extended Electric
NN	Without Beam and Tray
E	End position
60	Width
D	Digital Display
118T	Bright White Paint

Included With

Antenna Telescope Dual Table Bases

Columns
 Rails
 Connecting Hardware

Options

Antenna Telescope Dual Table Bases

Control Switch Options:

(S) = Standard up/down control switch.
 (D) = Digital Display with programmable setting. Add \$636 list for the digital display selection.
 (TR) = Toggle Switch, Red.
 (TG) = Toggle Switch, Grey. Add \$200 list for "Toggle Switch option".

Antenna Telescope Dual Table Bases

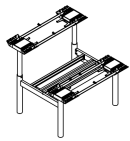
Mixed Standard Electric and Fixed Height

With Beam and Dual Utility Trays

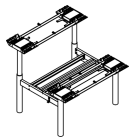
description	type	w	d	pattern no.	list
Telescope Base, Mixed Height Adjustable Standard Electric and Fixed Height with Beam and Dual Trays, Standalone	For use in standalone application	48"	45"	YBTFESBTS48	\$6,574.
		54"	45"	YBTFESBTS54	6,657.
		60"	45"	YBTFESBTS60	6,710.
		66"	45"	YBTFESBTS66	6,749.
		72"	45"	YBTFESBTS72	6,770.
		78"	45"	YBTFESBTS78	6,927.
		84"	45"	YBTFESBTS84	7,210.



Telescope Base, Mixed Height Adjustable Standard Electric and Fixed Height with Beam and Dual Trays, End	For use in end application	48"	45"	YBTFESBTE48	6,634.
		54"	45"	YBTFESBTE54	6,715.
		60"	45"	YBTFESBTE60	6,770.
		66"	45"	YBTFESBTE66	6,809.
		72"	45"	YBTFESBTE72	6,830.
		78"	45"	YBTFESBTE78	6,988.
		84"	45"	YBTFESBTE84	7,271.



Telescope Base, Mixed Height Adjustable Standard Electric and Fixed Height with Beam and Dual Trays, Intermediate	For use in intermediate application	48"	45"	YBTFESBTI48	6,694.
		54"	45"	YBTFESBTI54	6,776.
		60"	45"	YBTFESBTI60	6,830.
		66"	45"	YBTFESBTI66	6,869.
		72"	45"	YBTFESBTI72	6,890.
		78"	45"	YBTFESBTI78	7,047.
		84"	45"	YBTFESBTI84	7,330.



Ordering Information

Table Bases

1. Pattern Number
2. Control Switch
3. Base Paint Finish

Order Code

Bases

Example: **YBTFESBTE60, D, 118T**

YBT	Antenna Telescope Base
FES	Mixed Height Adjustable and Fixed Height
BT	With Beam and Trays
E	End position
60	Width
D	Digital Display
118T	Bright White Paint

Included With

Antenna Telescope Dual Table Bases

Columns
Center beam
Dual Trays
Rails
Connecting Hardware

Options

Antenna Telescope Dual Table Bases

Control Switch Options:

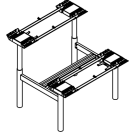
(S) = Standard up/down control switch.
(D) = Digital Display with programmable setting. Add \$318 list for the digital display selection.
(TR) = Toggle Switch, Red.
(TG) = Toggle Switch, Grey. Add \$100 list for "Toggle Switch option".

Antenna Telescope Dual Table Bases

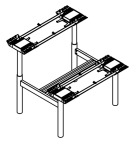
Mixed Standard Electric and Fixed Height

With Beam Only

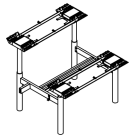
description	type	w	d	pattern no.	list
Telescope Base, Mixed Height Adjustable Standard Electric and Fixed Height with Beam, Standalone	For use in standalone application	48"	45"	YBTFESBNS48	\$5,972.
		54"	45"	YBTFESBNS54	6,014.
		60"	45"	YBTFESBNS60	6,162.
		66"	45"	YBTFESBNS66	6,172.
		72"	45"	YBTFESBNS72	6,189.
		78"	45"	YBTFESBNS78	6,221.
		84"	45"	YBTFESBNS84	6,450.



Telescope Base, Mixed Height Adjustable Standard Electric and Fixed Height with Beam, End	For use in end application	48"	45"	YBTFESBNE48	6,031.
		54"	45"	YBTFESBNE54	6,075.
		60"	45"	YBTFESBNE60	6,221.
		66"	45"	YBTFESBNE66	6,233.
		72"	45"	YBTFESBNE72	6,248.
		78"	45"	YBTFESBNE78	6,281.
		84"	45"	YBTFESBNE84	6,510.



Telescope Base, Mixed Height Adjustable Standard Electric and Fixed Height with Beam, Intermediate	For use in intermediate application	48"	45"	YBTFESBNI48	6,091.
		54"	45"	YBTFESBNI54	6,134.
		60"	45"	YBTFESBNI60	6,281.
		66"	45"	YBTFESBNI66	6,292.
		72"	45"	YBTFESBNI72	6,309.
		78"	45"	YBTFESBNI78	6,341.
		84"	45"	YBTFESBNI84	6,569.



Ordering Information

Table Bases

1. Pattern Number
2. Control Switch
3. Base Paint Finish

Order Code

Bases

Example: **YBTFESBNE60, D, 118T**

YBT	Antenna Telescope Base
FES	Mixed Height Adjustable and Fixed Height Electric
BN	With Beam Only
E	End position
60	Width
D	Digital Display
118T	Bright White Paint

Included With

Antenna Telescope Dual Table Bases

Columns
Center beam
Rails
Connecting Hardware

Options

Antenna Telescope Dual Table Bases

Control Switch Options:

(S) = Standard up/down control switch.
(D) = Digital Display with programmable setting. Add \$318 list for the digital display selection.
(TR) = Toggle Switch, Red.
(TC) = Toggle Switch, Grey. Add \$100 list for "Toggle Switch option".

Antenna Telescope Dual Table Bases

Mixed Standard Electric and Fixed Height

Without Beam and Dual Utility Trays

description	type	w	d	pattern no.	list
Telescope Base, Mixed Height Adjustable Standard Electric and Fixed Height without Beam and Tray, Standalone	For use in standalone application	48"	45"	YBTFESNNS48	\$5,694.
		54"	45"	YBTFESNNS54	5,738.
		60"	45"	YBTFESNNS60	5,775.
		66"	45"	YBTFESNNS66	5,781.
		72"	45"	YBTFESNNS72	5,797.
		78"	45"	YBTFESNNS78	5,830.
		84"	45"	YBTFESNNS84	6,063.

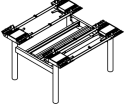
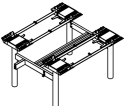
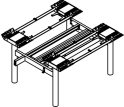


Ordering Information	Order Code	Included With	Options
Table Bases	Bases	Antenna Telescope Dual Table Bases	Antenna Telescope Dual Table Bases
1. Pattern Number	<i>Example:</i> YBTFESNNS60, D, 118T	Columns	Control Switch Options:
2. Control Switch	YBT Antenna Telescope Base	Rails	(S) = Standard up/down control switch.
3. Base Paint Finish	FES Mixed Height Adjustable and Fixed Height Electric	Connecting Hardware	(D) = Digital Display with programmable setting. Add \$318 list for the digital display selection.
	NN Without Beam and Trays		(TR) = Toggle Switch, Red.
	S Standalone		(TC) = Toggle Switch, Grey. Add \$100 list for "Toggle Switch option".
	60 Width		
	D Digital Display		
	118T Bright White Paint		

Antenna Telescope Dual Table Bases

Fixed Height

With Beam and Dual Utility Trays

description	type	w	d	pattern no.	list
 Telescope Base, Fixed Height, with Beam and Dual Trays, Standalone	For use in standalone application	48"	45"	YBTFSBTS48	\$4,582.
		54"	45"	YBTFSBTS54	4,664.
		60"	45"	YBTFSBTS60	4,718.
		66"	45"	YBTFSBTS66	4,757.
		72"	45"	YBTFSBTS72	4,779.
		78"	45"	YBTFSBTS78	4,936.
		84"	45"	YBTFSBTS84	5,219.
 Telescope Base, Fixed Height, with Beam and Dual Trays, End	For use in end application	48"	45"	YBTFSBTE48	4,643.
		54"	45"	YBTFSBTE54	4,724.
		60"	45"	YBTFSBTE60	4,779.
		66"	45"	YBTFSBTE66	4,816.
		72"	45"	YBTFSBTE72	4,838.
		78"	45"	YBTFSBTE78	4,996.
		84"	45"	YBTFSBTE84	5,279.
 Telescope Base, Fixed Height, with Beam and Dual Trays, Intermediate	For use in intermediate application	48"	45"	YBTFSBTI48	4,703.
		54"	45"	YBTFSBTI54	4,784.
		60"	45"	YBTFSBTI60	4,838.
		66"	45"	YBTFSBTI66	4,877.
		72"	45"	YBTFSBTI72	4,898.
		78"	45"	YBTFSBTI78	5,055.
		84"	45"	YBTFSBTI84	5,338.

Ordering Information

Table Bases

1. Pattern Number
2. Base Paint Finish

Order Code

Bases

<i>Example:</i> YBTFSBTE60, 118T	
YBT	Antenna Telescope Base
FS	Fixed Height
BT	With Beam and Trays
E	End position
60	Width
118T	Bright White Paint

Included With

Antenna Telescope Dual Table Bases

Columns
Center beam
Dual Trays
Rails
Connecting Hardware

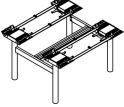
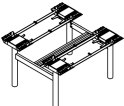
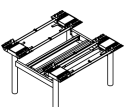
Options

Antenna Telescope Dual Table Bases

Antenna Telescope Dual Table Bases

Fixed Height

With Beam Only

description	type	w	d	pattern no.	list
 Telescope Base, Fixed Height, with Beam, Standalone	For use in standalone application	48"	45"	YBTFSBNS48	\$3,980.
		54"	45"	YBTFSBNS54	4,023.
		60"	45"	YBTFSBNS60	4,169.
		66"	45"	YBTFSBNS66	4,180.
		72"	45"	YBTFSBNS72	4,197.
		78"	45"	YBTFSBNS78	4,230.
		84"	45"	YBTFSBNS84	4,457.
 Telescope Base, Fixed Height, with Beam, End	For use in end application	48"	45"	YBTFSBNE48	4,038.
		54"	45"	YBTFSBNE54	4,083.
		60"	45"	YBTFSBNE60	4,230.
		66"	45"	YBTFSBNE66	4,240.
		72"	45"	YBTFSBNE72	4,256.
		78"	45"	YBTFSBNE78	4,289.
		84"	45"	YBTFSBNE84	4,518.
 Telescope Base, Fixed Height, with Beam, Intermediate	For use in intermeditate application	48"	45"	YBTFSBNI48	4,099.
		54"	45"	YBTFSBNI54	4,142.
		60"	45"	YBTFSBNI60	4,289.
		66"	45"	YBTFSBNI66	4,300.
		72"	45"	YBTFSBNI72	4,316.
		78"	45"	YBTFSBNI78	4,349.
		84"	45"	YBTFSBNI84	4,577.

Antenna Telescope

Ordering Information

Table Bases

1. Pattern Number
2. Base Paint Finish

Order Code

Bases

Example: **YBTFSBNE60, 118T**

YBT	Antenna Telescope Base
FS	Fixed Height
BN	With Beam Only
E	End position
60	Width
118T	Bright White Paint

Included With

Antenna Telescope Dual Table Bases

- Columns
- Center beam
- Dual Trays
- Rails
- Connecting Hardware

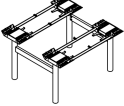
Options

Antenna Telescope Dual Table Bases

Antenna Telescope Dual Table Bases

Fixed Height

Without Beam and Dual Utility Trays

description	type	w	d	pattern no.	list
Telescope Base, Fixed Height, without Beam and Tray, Standalone 	For use in standalone application	48"	45"	YBTFSNNS48	\$3,702.
		54"	45"	YBTFSNNS54	3,745.
		60"	45"	YBTFSNNS60	3,784.
		66"	45"	YBTFSNNS66	3,790.
		72"	45"	YBTFSNNS72	3,805.
		78"	45"	YBTFSNNS78	3,839.
		84"	45"	YBTFSNNS84	4,072.

Ordering Information

Table Bases

1. Pattern Number
2. Base Paint Finish

Order Code

Bases

Example: **YBTFSbte60, 118T**

YBT	Antenna Telescope Base
FS	Fixed Height
NN	Without Beam and Trays
S	Standalone
60	Width
118T	Bright White Paint

Included With

Antenna Telescope Dual Table Bases

Columns
 Rails
 Connecting Hardware

Options

Antenna Telescope Dual Table Bases

Antenna Telescope Single Sided tables are comprised of a top supported by a pair of rails and a center beam, which spans between two crossbars connecting the workstation round columns to a wood back panel. Each workstation is supported by two electric controlled columns in combination with a wood back panel to the floor that corresponds in width and depth to the top.

Tops for Telescope single sided tables are standard Telescope tops available in 24", 27" and 30" depths and available in every 6" increment of width from 47" – 84".

Columns for Telescope single sided tables are inset 12" from the front edge of 24", 27" and 30" deep tops. Bases are available in two height ranges – Standard Electric and Extended Electric. Both electric base types have button controls on the front edge of the top to adjust the top up and down. All single sided bases include a center beam and an optional utility tray may be specified.

Specify Telescope single sided bases in one of four configurations: "N" for no crossbar connections if workstation is standalone without end panels; "R" for base in the right position, connecting to another base or end panel on the left side; "L" for base in the left position, connecting to another base or end panel on the right side; and "S" for base connecting to either another base or end panel on both sides.

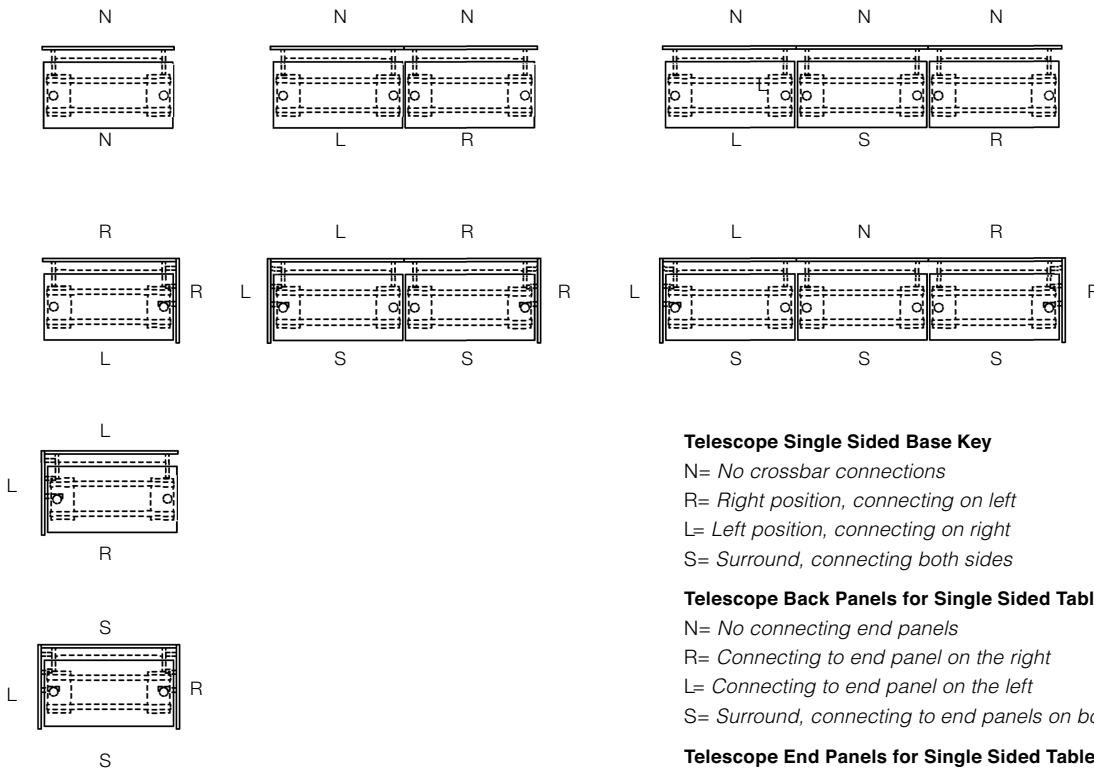
Back panels for single sided tables are required to provide counterbalance, allowing each workstation to be engineered without feet for ultimate user freedom and comfort. Back panels are available in desk height, 42" and 49" high and widths corresponding to tops from 48" – 84" wide. Specify back panels in one of four configurations: "N" for no connecting to end panels; "R" for connecting to end panel on the right side; "L" for connecting to end panel on the left side; and "S" for standalone workstation connecting to end panels on both sides. Telescope Single Sided tables with back panels and 2" deep tops are 30" deep overall; 27" deep tops are 33" deep overall;

End panels are optional for single sided tables to conceal the end of a run and must be specified corresponding in width to top depth—24", 27" and 30" deep, and corresponding in height to back panels—desk height, 42" and 49" high. End panels are handed left or right for attachment to Telescope back panels for single sided tables.

Returns can be attached anywhere along Telescope single sided tables by specifying a return base kit and return top. To calculate the return base size required for attaching to Telescope single sided tables, take the return top width and add 24".

Telescope single sided stations accept Telescope desk screens or fixed center screens for additional privacy.

Telescope Single Sided Specification Key



Telescope Single Sided Base Key

- N= No crossbar connections
- R= Right position, connecting on left
- L= Left position, connecting on right
- S= Surround, connecting both sides

Telescope Back Panels for Single Sided Tables Key

- N= No connecting end panels
- R= Connecting to end panel on the right
- L= Connecting to end panel on the left
- S= Surround, connecting to end panels on both sides

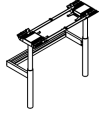
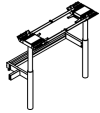
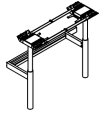
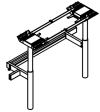
Telescope End Panels for Single Sided Tables Key

- R= Right hand
- L= Left hand

Antenna Telescope Single Sided Table Bases

Standard Electric

With Beam Only, 24" deep

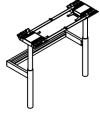
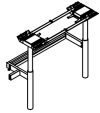
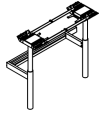
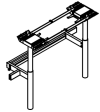
description	type	w	d	pattern no.	list
Telescope Single Sided Base, Height Adjustable Standard Electric, with Beam, No Tray	 No crossbar connections	48"	24"	YBTSSFESBNN4824	\$4,064.
		54"	24"	YBTSSFESBNN5424	4,075.
		60"	24"	YBTSSFESBNN6024	4,185.
		66"	24"	YBTSSFESBNN6624	4,202.
		72"	24"	YBTSSFESBNN7224	4,207.
		78"	24"	YBTSSFESBNN7824	4,217.
		84"	24"	YBTSSFESBNN8424	4,238.
Right position, connecting on left	 Right position, connecting on left	48"	24"	YBTSSFESBNR4824	4,125.
		54"	24"	YBTSSFESBNR5424	4,135.
		60"	24"	YBTSSFESBNR6024	4,245.
		66"	24"	YBTSSFESBNR6624	4,262.
		72"	24"	YBTSSFESBNR7224	4,267.
		78"	24"	YBTSSFESBNR7824	4,278.
		84"	24"	YBTSSFESBNR8424	4,298.
Left position, connecting on right	 Left position, connecting on right	48"	24"	YBTSSFESBNL4824	4,125.
		54"	24"	YBTSSFESBNL5424	4,135.
		60"	24"	YBTSSFESBNL6024	4,245.
		66"	24"	YBTSSFESBNL6624	4,262.
		72"	24"	YBTSSFESBNL7224	4,267.
		78"	24"	YBTSSFESBNL7824	4,278.
		84"	24"	YBTSSFESBNL8424	4,298.
Surround, connecting both sides	 Surround, connecting both sides	48"	24"	YBTSSFESBNS4824	4,207.
		54"	24"	YBTSSFESBNS5424	4,217.
		60"	24"	YBTSSFESBNS6024	4,328.
		66"	24"	YBTSSFESBNS6624	4,344.
		72"	24"	YBTSSFESBNS7224	4,349.
		78"	24"	YBTSSFESBNS7824	4,360.
		78"	24"	YBTSSFESBNS8424	4,380.

Ordering Information	Order Code	Included With	Options
Antenna Telescope Single Sided Table Bases 1. Pattern Number 2. Control Switch 3. Base Paint Finish	Antenna Telescope Single Sided Table Bases <i>Example:</i> YBTSSFESBNN4824, D, 118T <hr/> YBT Antenna Telescope Base <hr/> SSFES Single Sided Standard Electric <hr/> BN Beam, No Tray <hr/> N No connections <hr/> 48 Width <hr/> 24 Depth <hr/> D Digital Display <hr/> 118T Bright White Paint	Antenna Telescope Single Sided Table Bases Columns Center beam Rails Connecting Hardware Utility Tray	Antenna Telescope Single Sided Table Bases Control Switch Options: (S) = Standard up/down control switch. (D) = Digital Display with programmable setting. Add \$318 list for the digital display selection. (TR) = Toggle Switch, Red. (TG) = Toggle Switch, Grey. Add \$100 list for "Toggle Switch option".

Antenna Telescope Single Sided Table Bases

Standard Electric

With Beam Only, 27" deep

description	type	w	d	pattern no.	list
Telescope Single Sided Base, Height Adjustable Standard Electric, with Beam, No Tray	 No crossbar connections	48"	27"	YBTSSFESBNN4827	\$4,085.
		54"	27"	YBTSSFESBNN5427	4,096.
		60"	27"	YBTSSFESBNN6027	4,207.
		66"	27"	YBTSSFESBNN6627	4,222.
		72"	27"	YBTSSFESBNN7227	4,228.
		78"	27"	YBTSSFESBNN7827	4,238.
		84"	27"	YBTSSFESBNN8427	4,260.
Right position, connecting on left	 Right position, connecting on left	48"	27"	YBTSSFESBNR4827	4,145.
		54"	27"	YBTSSFESBNR5427	4,156.
		60"	27"	YBTSSFESBNR6027	4,267.
		66"	27"	YBTSSFESBNR6627	4,283.
		72"	27"	YBTSSFESBNR7227	4,288.
		78"	27"	YBTSSFESBNR7827	4,298.
		84"	27"	YBTSSFESBNR8427	4,319.
Left position, connecting on right	 Left position, connecting on right	48"	27"	YBTSSFESBNL4827	4,145.
		54"	27"	YBTSSFESBNL5427	4,156.
		60"	27"	YBTSSFESBNL6027	4,267.
		66"	27"	YBTSSFESBNL6627	4,283.
		72"	27"	YBTSSFESBNL7227	4,288.
		78"	27"	YBTSSFESBNL7827	4,298.
		84"	27"	YBTSSFESBNL8427	4,319.
Surround, connecting both sides	 Surround, connecting both sides	48"	27"	YBTSSFESBNS4827	4,228.
		54"	27"	YBTSSFESBNS5427	4,238.
		60"	27"	YBTSSFESBNS6027	4,349.
		66"	27"	YBTSSFESBNS6627	4,365.
		72"	27"	YBTSSFESBNS7227	4,370.
		78"	27"	YBTSSFESBNS7827	4,380.
		84"	27"	YBTSSFESBNS8427	4,402.

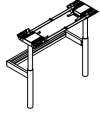
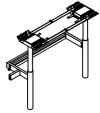
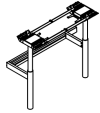
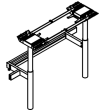
Antenna Telescope

Ordering Information	Order Code	Included With	Options
Antenna Telescope Single Sided Table Bases 1. Pattern Number 2. Control Switch 3. Base Paint Finish	Antenna Telescope Single Sided Table Bases <i>Example:</i> YBTSSFESBNN4824, D, 118T <hr/> YBT Antenna Telescope Base <hr/> SSFES Single Sided Standard Electric <hr/> BN Beam, No Tray <hr/> N No connections <hr/> 48 Width <hr/> 24 Depth <hr/> D Digital Display <hr/> 118T Bright White Paint	Antenna Telescope Single Sided Table Bases Columns Center beam Rails Connecting Hardware	Antenna Telescope Single Sided Table Bases Control Switch Options: (S) = Standard up/down control switch. (D) = Digital Display with programmable setting. Add \$318 list for the digital display selection. (TR) = Toggle Switch, Red. (TG) = Toggle Switch, Grey. Add \$100 list for "Toggle Switch option".

Antenna Telescope Single Sided Table Bases

Standard Electric

With Beam Only, 30" deep

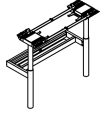
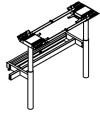
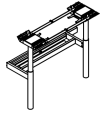
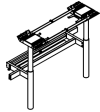
description	type	w	d	pattern no.	list
Telescope Single Sided Base, Height Adjustable Standard Electric, with Beam, No Tray	 No crossbar connections	48"	30"	YBTSSFESBNN4830	\$4,090.
		54"	30"	YBTSSFESBNN5430	4,101.
		60"	30"	YBTSSFESBNN6030	4,212.
		66"	30"	YBTSSFESBNN6630	4,228.
		72"	30"	YBTSSFESBNN7230	4,233.
		78"	30"	YBTSSFESBNN7830	4,243.
		84"	30"	YBTSSFESBNN8430	4,265.
Right position, connecting on left	 Right position, connecting on left	48"	30"	YBTSSFESBNR4830	4,151.
		54"	30"	YBTSSFESBNR5430	4,161.
		60"	30"	YBTSSFESBNR6030	4,272.
		66"	30"	YBTSSFESBNR6630	4,288.
		72"	30"	YBTSSFESBNR7230	4,293.
		78"	30"	YBTSSFESBNR7830	4,304.
		84"	30"	YBTSSFESBNR8430	4,324.
Left position, connecting on right	 Left position, connecting on right	48"	30"	YBTSSFESBNL4830	4,151.
		54"	30"	YBTSSFESBNL5430	4,161.
		60"	30"	YBTSSFESBNL6030	4,272.
		66"	30"	YBTSSFESBNL6630	4,288.
		72"	30"	YBTSSFESBNL7230	4,293.
		78"	30"	YBTSSFESBNL7830	4,304.
		84"	30"	YBTSSFESBNL8430	4,324.
Surround, connecting both sides	 Surround, connecting both sides	48"	30"	YBTSSFESBNS4830	4,233.
		54"	30"	YBTSSFESBNS5430	4,243.
		60"	30"	YBTSSFESBNS6030	4,354.
		66"	30"	YBTSSFESBNS6630	4,370.
		72"	30"	YBTSSFESBNS7230	4,375.
		78"	30"	YBTSSFESBNS7830	4,386.
		84"	30"	YBTSSFESBNS8430	4,408.

Ordering Information	Order Code	Included With	Options
Antenna Telescope Single Sided Table Bases 1. Pattern Number 2. Control Switch 3. Base Paint Finish	Antenna Telescope Single Sided Table Bases <i>Example:</i> YBTSSFESBNN4824, D, 118T <hr/> YBT Antenna Telescope Base <hr/> SSFES Single Sided Standard Electric <hr/> BN Beam, No Tray <hr/> N No connections <hr/> 48 Width <hr/> 24 Depth <hr/> D Digital Display <hr/> 118T Bright White Paint	Antenna Telescope Single Sided Table Bases Columns Center beam Rails Connecting Hardware	Antenna Telescope Single Sided Table Bases Control Switch Options: (S) = Standard up/down control switch. (D) = Digital Display with programmable setting. Add \$318 list for the digital display selection. (TR) = Toggle Switch, Red. (TG) = Toggle Switch, Grey. Add \$100 list for "Toggle Switch option".

Antenna Telescope Single Sided Table Bases

Standard Electric

With Beam and Utility Tray, 24" deep

description	type	w	d	pattern no.	list
Telescope Single Sided Base, Height Adjustable Standard Electric, with Beam and Tray	No crossbar connections 	48"	24"	YBTSSFESBTN4824	\$4,386.
		54"	24"	YBTSSFESBTN5424	4,396.
		60"	24"	YBTSSFESBTN6024	4,444.
		66"	24"	YBTSSFESBTN6624	4,487.
		72"	24"	YBTSSFESBTN7224	4,502.
		78"	24"	YBTSSFESBTN7824	4,566.
		84"	24"	YBTSSFESBTN8424	4,597.
Right position, connecting on left 	Right position, connecting on left	48"	24"	YBTSSFESBTR4824	4,446.
		54"	24"	YBTSSFESBTR5424	4,456.
		60"	24"	YBTSSFESBTR6024	4,504.
		66"	24"	YBTSSFESBTR6624	4,547.
		72"	24"	YBTSSFESBTR7224	4,562.
		78"	24"	YBTSSFESBTR7824	4,626.
		84"	24"	YBTSSFESBTR8424	4,657.
Left position, connecting on right 	Left position, connecting on right	48"	24"	YBTSSFESBTL4824	4,446.
		54"	24"	YBTSSFESBTL5424	4,456.
		60"	24"	YBTSSFESBTL6024	4,504.
		66"	24"	YBTSSFESBTL6624	4,547.
		72"	24"	YBTSSFESBTL7224	4,562.
		78"	24"	YBTSSFESBTL7824	4,626.
		84"	24"	YBTSSFESBTL8424	4,657.
Surround, connecting both sides 	Surround, connecting both sides	48"	24"	YBTSSFESBTS4824	4,506.
		54"	24"	YBTSSFESBTS5424	4,517.
		60"	24"	YBTSSFESBTS6024	4,565.
		66"	24"	YBTSSFESBTS6624	4,606.
		72"	24"	YBTSSFESBTS7224	4,623.
		78"	24"	YBTSSFESBTS7824	4,686.
		84"	24"	YBTSSFESBTS8424	4,717.

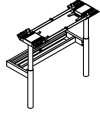
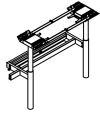
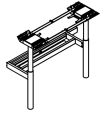
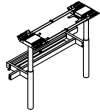
Antenna Telescope

Ordering Information	Order Code	Included With	Options
Antenna Telescope Single Sided Table Bases	Antenna Telescope Single Sided Table Bases	Antenna Telescope Single Sided Table Bases	Antenna Telescope Single Sided Table Bases
1. Pattern Number	<i>Example:</i> YBTSSFESBTN4824, D, 118T	Columns	Control Switch Options:
2. Control Switch	YBT Antenna Telescope Base	Center beam	(S) = Standard up/down control switch.
3. Base Paint Finish	SSFES Single Sided Standard Electric	Rails	(D) = Digital Display with programmable setting. Add \$318 list for the digital display selection.
	BT Beam and Utility Tray	Connecting Hardware	(TR) = Toggle Switch, Red.
	N No connections	Utility Tray	(TG) = Toggle Switch, Grey. Add \$100 list for "Toggle Switch option".
	48 Width		
	24 Depth		
	D Digital Display		
	118T Bright White Paint		

Antenna Telescope Single Sided Table Bases

Standard Electric

With Beam and Utility Tray, 27" deep

description	type	w	d	pattern no.	list
Telescope Single Sided Base, Height Adjustable Standard Electric, with Beam and Tray	 No crossbar connections	48"	27"	YBTSSFESBTN4827	\$4,408.
		54"	27"	YBTSSFESBTN5427	4,418.
		60"	27"	YBTSSFESBTN6027	4,465.
		66"	27"	YBTSSFESBTN6627	4,507.
		72"	27"	YBTSSFESBTN7227	4,523.
		78"	27"	YBTSSFESBTN7827	4,586.
		84"	27"	YBTSSFESBTN8427	4,619.
Right position, connecting on left	 Right position, connecting on left	48"	27"	YBTSSFESBTR4827	4,467.
		54"	27"	YBTSSFESBTR5427	4,478.
		60"	27"	YBTSSFESBTR6027	4,525.
		66"	27"	YBTSSFESBTR6627	4,568.
		72"	27"	YBTSSFESBTR7227	4,583.
		78"	27"	YBTSSFESBTR7827	4,647.
		84"	27"	YBTSSFESBTR8427	4,678.
Left position, connecting on right	 Left position, connecting on right	48"	27"	YBTSSFESBTL4827	4,467.
		54"	27"	YBTSSFESBTL5427	4,478.
		60"	27"	YBTSSFESBTL6027	4,525.
		66"	27"	YBTSSFESBTL6627	4,568.
		72"	27"	YBTSSFESBTL7227	4,583.
		78"	27"	YBTSSFESBTL7827	4,647.
		84"	27"	YBTSSFESBTL8427	4,678.
Surround, connecting both sides	 Surround, connecting both sides	48"	27"	YBTSSFESBTS4827	4,527.
		54"	27"	YBTSSFESBTS5427	4,538.
		60"	27"	YBTSSFESBTS6027	4,585.
		66"	27"	YBTSSFESBTS6627	4,628.
		72"	27"	YBTSSFESBTS7227	4,644.
		78"	27"	YBTSSFESBTS7827	4,707.
		84"	27"	YBTSSFESBTS8427	4,738.

Ordering Information

Antenna Telescope Single Sided Table Bases

1. Pattern Number
2. Control Switch
3. Base Paint Finish

Order Code

Antenna Telescope Single Sided Table Bases

Example: **YBTSSFESBTN4824, D, 118T**

YBT	Antenna Telescope Base
SSFES	Single Sided Standard Electric
BT	Beam and Utility Tray
N	No connections
48	Width
24	Depth
D	Digital Display
118T	Bright White Paint

Included With

Antenna Telescope Single Sided Table Bases

Columns
Center beam
Rails
Connecting Hardware
Utility Tray

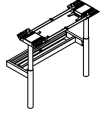
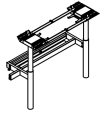
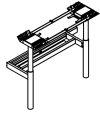
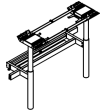
Options

Antenna Telescope Single Sided Table Bases

Control Switch Options:
(S) = Standard up/down control switch.
(D) = Digital Display with programmable setting. Add \$318 list for the digital display selection.
(TR) = Toggle Switch, Red.
(TG) = Toggle Switch, Grey. Add \$100 list for "Toggle Switch option".

Standard Electric

With Beam and Utility Tray, 30" deep



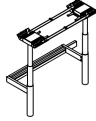
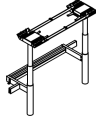
description	type	w	d	pattern no.	list
Telescope Single Sided Base, Height Adjustable Standard Electric, with Beam and Tray	 No crossbar connections	48"	30"	YBTSSFESBTN4830	\$4,413.
		54"	30"	YBTSSFESBTN5430	4,423.
		60"	30"	YBTSSFESBTN6030	4,471.
		66"	30"	YBTSSFESBTN6630	4,513.
		66"	30"	YBTSSFESBTN7230	4,528.
		78"	30"	YBTSSFESBTN7830	4,592.
		84"	30"	YBTSSFESBTN8430	4,624.
Right position, connecting on left	 Right position, connecting on left	48"	30"	YBTSSFESBTR4830	4,473.
		54"	30"	YBTSSFESBTR5430	4,483.
		60"	30"	YBTSSFESBTR6030	4,530.
		66"	30"	YBTSSFESBTR6630	4,573.
		72"	30"	YBTSSFESBTR7230	4,588.
		78"	30"	YBTSSFESBTR7830	4,652.
		84"	30"	YBTSSFESBTR8430	4,684.
Left position, connecting on right	 Left position, connecting on right	48"	30"	YBTSSFESBTL4830	4,473.
		54"	30"	YBTSSFESBTL5430	4,483.
		60"	30"	YBTSSFESBTL6030	4,530.
		66"	30"	YBTSSFESBTL6630	4,573.
		72"	30"	YBTSSFESBTL7230	4,588.
		78"	30"	YBTSSFESBTL7830	4,652.
		84"	30"	YBTSSFESBTL8430	4,684.
Surround, connecting both sides	 Surround, connecting both sides	48"	30"	YBTSSFESBTS4830	4,532.
		54"	30"	YBTSSFESBTS5430	4,544.
		60"	30"	YBTSSFESBTS6030	4,591.
		66"	30"	YBTSSFESBTS6630	4,633.
		72"	30"	YBTSSFESBTS7230	4,649.
		78"	30"	YBTSSFESBTS7830	4,712.
		84"	30"	YBTSSFESBTS8430	4,743.

Antenna Telescope

Ordering Information	Order Code	Included With	Options
Antenna Telescope Single Sided Table Bases 1. Pattern Number 2. Control Switch 3. Base Paint Finish	Antenna Telescope Single Sided Table Bases <i>Example:</i> YBTSSFESBTN4824, D, 118T YBT Antenna Telescope Base SSFES Single Sided Standard Electric BT Beam and Utility Tray N No connections 48 Width 24 Depth D Digital Display 118T Bright White Paint	Antenna Telescope Single Sided Table Bases Columns Center beam Rails Connecting Hardware Utility Tray	Antenna Telescope Single Sided Table Bases Control Switch Options: (S) = Standard up/down control switch. (D) = Digital Display with programmable setting. Add \$318 list for the digital display selection. (TR) = Toggle Switch, Red. (TG) = Toggle Switch, Grey. Add \$100 list for "Toggle Switch option".

Antenna Telescope Single Sided Table Bases

Extended Electric With Beam Only, 24" deep

description	type	w	d	pattern no.	list
Telescope Single Sided Base, Height Adjustable Extended Electric, with Beam, No Tray	No crossbar connections 	48"	24"	YBTSSFEXBNN4824	\$4,761.
		54"	24"	YBTSSFEXBNN5424	4,772.
		60"	24"	YBTSSFEXBNN6024	4,882.
		66"	24"	YBTSSFEXBNN6624	4,898.
		72"	24"	YBTSSFEXBNN7224	4,904.
		78"	24"	YBTSSFEXBNN7824	4,914.
		84"	24"	YBTSSFEXBNN8424	4,935.
Right position, connecting on left 	Right position, connecting on left	48"	24"	YBTSSFEXBNR4824	4,821.
		54"	24"	YBTSSFEXBNR5424	4,832.
		60"	24"	YBTSSFEXBNR6024	4,942.
		66"	24"	YBTSSFEXBNR6624	4,958.
		72"	24"	YBTSSFEXBNR7224	4,964.
		78"	24"	YBTSSFEXBNR7824	4,974.
		84"	24"	YBTSSFEXBNR8424	4,995.
Left position, connecting on right 	Left position, connecting on right	48"	24"	YBTSSFEXBNL4824	4,821.
		54"	24"	YBTSSFEXBNL5424	4,832.
		60"	24"	YBTSSFEXBNL6024	4,942.
		66"	24"	YBTSSFEXBNL6624	4,958.
		72"	24"	YBTSSFEXBNL7224	4,964.
		78"	24"	YBTSSFEXBNL7824	4,974.
		84"	24"	YBTSSFEXBNL8424	4,995.
Surround, connecting both sides 	Surround, connecting both sides	48"	24"	YBTSSFEXBNS4824	4,904.
		54"	24"	YBTSSFEXBNS5424	4,914.
		60"	24"	YBTSSFEXBNS6024	5,024.
		66"	24"	YBTSSFEXBNS6624	5,041.
		72"	24"	YBTSSFEXBNS7224	5,046.
		78"	24"	YBTSSFEXBNS7824	5,056.
		84"	24"	YBTSSFEXBNS8424	5,077.

Ordering Information

Antenna Telescope Single Sided Table Bases

1. Pattern Number
2. Control Switch
3. Base Paint Finish

Order Code

Antenna Telescope Single Sided Table Bases

Example: **YBTSSFEXBNN4824, D, 118T**

YBT	Antenna Telescope Base
SSFEX	Single Sided Extended Electric
BN	Beam, No Tray
N	No connections
48	Width
24	Depth
D	Digital Display
118T	Bright White Paint

Included With

Antenna Telescope Single Sided Table Bases

Columns
Center beam
Rails
Connecting Hardware

Options



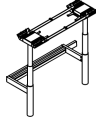
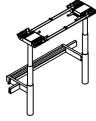
Antenna Telescope Single Sided Table Bases

Control Switch Options:
(S) = Standard up/down control switch.
(D) = Digital Display with programmable setting. Add \$318 list for the digital display selection.
(TR) = Toggle Switch, Red.
(TG) = Toggle Switch, Grey. Add \$100 list for "Toggle Switch option".

Antenna Telescope Single Sided Table Bases

Extended Electric

With Beam Only, 27" deep

description	type	w	d	pattern no.	list
Telescope Single Sided Base, Height Adjustable Extended Electric, with Beam, No Tray	No crossbar connections 	48"	27"	YBTSSFEXBNN4827	\$4,782.
		54"	27"	YBTSSFEXBNN5427	4,792.
		60"	27"	YBTSSFEXBNN6027	4,904.
		66"	27"	YBTSSFEXBNN6627	4,919.
		72"	27"	YBTSSFEXBNN7227	4,924.
		78"	27"	YBTSSFEXBNN7827	4,935.
		84"	27"	YBTSSFEXBNN8427	4,956.
Right position, connecting on left 	Right position, connecting on left	48"	27"	YBTSSFEXBNR4827	4,842.
		54"	27"	YBTSSFEXBNR5427	4,853.
		60"	27"	YBTSSFEXBNR6027	4,964.
		66"	27"	YBTSSFEXBNR6627	4,980.
		72"	27"	YBTSSFEXBNR7227	4,985.
		78"	27"	YBTSSFEXBNR7827	4,995.
		84"	27"	YBTSSFEXBNR8427	5,016.
Left position, connecting on right 	Left position, connecting on right	48"	27"	YBTSSFEXBNL4827	4,842.
		54"	27"	YBTSSFEXBNL5427	4,853.
		60"	27"	YBTSSFEXBNL6027	4,964.
		66"	27"	YBTSSFEXBNL6627	4,980.
		72"	27"	YBTSSFEXBNL7227	4,985.
		78"	27"	YBTSSFEXBNL7827	4,995.
		84"	27"	YBTSSFEXBNL8427	5,016.
Surround, connecting both sides 	Surround, connecting both sides	48"	27"	YBTSSFEXBNS4827	4,924.
		54"	27"	YBTSSFEXBNS5427	4,935.
		60"	27"	YBTSSFEXBNS6027	5,046.
		66"	27"	YBTSSFEXBNS6627	5,062.
		72"	27"	YBTSSFEXBNS7227	5,067.
		78"	27"	YBTSSFEXBNS7827	5,077.
		84"	27"	YBTSSFEXBNS8427	5,098.



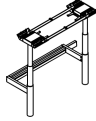
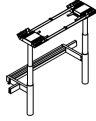
Antenna Telescope

Ordering Information	Order Code	Included With	Options
Antenna Telescope Single Sided Table Bases	Antenna Telescope Single Sided Table Bases	Antenna Telescope Single Sided Table Bases	Antenna Telescope Single Sided Table Bases
1. Pattern Number	<i>Example:</i> YBTSSFEXBNN4824, D, 118T	Columns	Control Switch Options:
2. Control Switch	YBT Antenna Telescope Base	Center beam	(S) = Standard up/down control switch.
3. Base Paint Finish	SSFEX Single Sided Extended Electric	Rails	(D) = Digital Display with programmable setting. Add \$318 list for the digital display selection.
	BN Beam, No Tray	Connecting Hardware	(TR) = Toggle Switch, Red.
	N No connections		(TG) = Toggle Switch, Grey. Add \$100 list for "Toggle Switch option".
	48 Width		
	24 Depth		
	D Digital Display		
	118T Bright White Paint		

Antenna Telescope Single Sided Table Bases

Extended Electric

With Beam Only, 30" deep

description	type	w	d	pattern no.	list
Telescope Single Sided Base, Height Adjustable Extended Electric, with Beam, No Tray	 No crossbar connections	48"	30"	YBTSSFEXBNN4830	\$4,787.
		54"	30"	YBTSSFEXBNN5430	4,798.
		60"	30"	YBTSSFEXBNN6030	4,909.
		66"	30"	YBTSSFEXBNN6630	4,924.
		72"	30"	YBTSSFEXBNN7230	4,930.
		78"	30"	YBTSSFEXBNN7830	4,940.
		84"	30"	YBTSSFEXBNN8430	4,962.
 Right position, connecting on left	48"	30"	YBTSSFEXBNR4830	4,847.	
	54"	30"	YBTSSFEXBNR5430	4,858.	
	60"	30"	YBTSSFEXBNR6030	4,969.	
	66"	30"	YBTSSFEXBNR6630	4,985.	
	72"	30"	YBTSSFEXBNR7230	4,990.	
	78"	30"	YBTSSFEXBNR7830	5,000.	
	84"	30"	YBTSSFEXBNR8430	5,021.	
 Left position, connecting on right	48"	30"	YBTSSFEXBNL4830	4,847.	
	54"	30"	YBTSSFEXBNL5430	4,858.	
	60"	30"	YBTSSFEXBNL6030	4,969.	
	66"	30"	YBTSSFEXBNL6630	4,985.	
	72"	30"	YBTSSFEXBNL7230	4,990.	
	78"	30"	YBTSSFEXBNL7830	5,000.	
	84"	30"	YBTSSFEXBNL8430	5,021.	
 Surround, connecting both sides	48"	30"	YBTSSFEXBNS4830	4,930.	
	54"	30"	YBTSSFEXBNS5430	4,940.	
	60"	30"	YBTSSFEXBNS6030	5,051.	
	66"	30"	YBTSSFEXBNS6630	5,067.	
	72"	30"	YBTSSFEXBNS7230	5,072.	
	78"	30"	YBTSSFEXBNS7830	5,082.	
	84"	30"	YBTSSFEXBNS8430	5,104.	

Ordering Information

Antenna Telescope Single Sided Table Bases

1. Pattern Number
2. Control Switch
3. Base Paint Finish

Order Code

Antenna Telescope Single Sided Table Bases

Example: **YBTSSFEXBNN4824, D, 118T**

YBT	Antenna Telescope Base
SSFEX	Single Sided Extended Electric
BN	Beam, No Tray
N	No connections
48	Width
24	Depth
D	Digital Display
118T	Bright White Paint

Included With

Antenna Telescope Single Sided Table Bases

Columns
Center beam
Rails
Connecting Hardware

Options

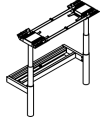
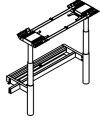
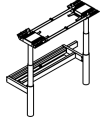
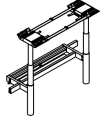
Antenna Telescope Single Sided Table Bases

Control Switch Options:
(S) = Standard up/down control switch.
(D) = Digital Display with programmable setting. Add \$318 list for the digital display selection.
(TR) = Toggle Switch, Red.
(TG) = Toggle Switch, Grey. Add \$100 list for "Toggle Switch option".

Antenna Telescope Single Sided Table Bases

Extended Electric

With Beam and Utility Tray, 24" deep

description	type	w	d	pattern no.	list
Telescope Single Sided Base, Height Adjustable Extended Electric, with Beam and Tray	No crossbar connections 	48"	24"	YBTSSFEXBTN4824	\$5,082.
		54"	24"	YBTSSFEXBTN5424	5,093.
		60"	24"	YBTSSFEXBTN6024	5,141.
		66"	24"	YBTSSFEXBTN6624	5,183.
		72"	24"	YBTSSFEXBTN7224	5,199.
		78"	24"	YBTSSFEXBTN7824	5,262.
		84"	24"	YBTSSFEXBTN8424	5,294.
Right position, connecting on left 	Right position, connecting on left	48"	24"	YBTSSFEXBTR4824	5,143.
		54"	24"	YBTSSFEXBTR5424	5,153.
		60"	24"	YBTSSFEXBTR6024	5,201.
		66"	24"	YBTSSFEXBTR6624	5,244.
		72"	24"	YBTSSFEXBTR7224	5,259.
		78"	24"	YBTSSFEXBTR7824	5,323.
		84"	24"	YBTSSFEXBTR8424	5,354.
Left position, connecting on right 	Left position, connecting on right	48"	24"	YBTSSFEXBTL4824	5,143.
		54"	24"	YBTSSFEXBTL5424	5,153.
		60"	24"	YBTSSFEXBTL6024	5,201.
		66"	24"	YBTSSFEXBTL6624	5,244.
		72"	24"	YBTSSFEXBTL7224	5,259.
		78"	24"	YBTSSFEXBTL7824	5,323.
		84"	24"	YBTSSFEXBTL8424	5,354.
Surround, connecting both sides 	Surround, connecting both sides	48"	24"	YBTSSFEXBTS4824	5,203.
		54"	24"	YBTSSFEXBTS5424	5,214.
		60"	24"	YBTSSFEXBTS6024	5,261.
		66"	24"	YBTSSFEXBTS6624	5,303.
		72"	24"	YBTSSFEXBTS7224	5,320.
		78"	24"	YBTSSFEXBTS7824	5,382.
		84"	24"	YBTSSFEXBTS8424	5,414.

Antenna Telescope

Ordering Information

Antenna Telescope Single Sided Table Bases

1. Pattern Number
2. Control Switch
3. Base Paint Finish

Order Code

Antenna Telescope Single Sided Table Bases

Example: **YBTSSFEXBTN4824, D, 118T**

YBT	Antenna Telescope Base
SSFEX	Single Sided Extended Electric
BT	Beam and Utility Tray
N	No connections
48	Width
24	Depth
D	Digital Display
118T	Bright White Paint

Included With

Antenna Telescope Single Sided Table Bases

Columns
Center beam
Rails
Connecting Hardware
Utility Tray

Options

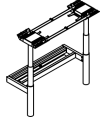
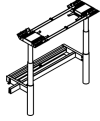
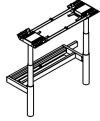
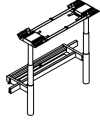
Antenna Telescope Single Sided Table Bases

Control Switch Options:
(S) = Standard up/down control switch.
(D) = Digital Display with programmable setting. Add \$318 list for the digital display selection.
(TR) = Toggle Switch, Red.
(TG) = Toggle Switch, Grey. Add \$100 list for "Toggle Switch option".

Antenna Telescope Single Sided Table Bases

Extended Electric

With Beam and Utility Tray, 27" deep

description	type	w	d	pattern no.	list
Telescope Single Sided Base, Height Adjustable Extended Electric, with Beam and Tray	 No crossbar connections	48"	27"	YBTSSFEXBTN4827	\$5,104.
		54"	27"	YBTSSFEXBTN5427	5,115.
		60"	27"	YBTSSFEXBTN6027	5,162.
		66"	27"	YBTSSFEXBTN6627	5,204.
		72"	27"	YBTSSFEXBTN7227	5,220.
		78"	27"	YBTSSFEXBTN7827	5,283.
		84"	27"	YBTSSFEXBTN8427	5,315.
 Right position, connecting on left	48"	27"	YBTSSFEXBTR4827	5,164.	
	54"	27"	YBTSSFEXBTR5427	5,175.	
	60"	27"	YBTSSFEXBTR6027	5,222.	
	66"	27"	YBTSSFEXBTR6627	5,264.	
	72"	27"	YBTSSFEXBTR7227	5,280.	
	78"	27"	YBTSSFEXBTR7827	5,344.	
	84"	27"	YBTSSFEXBTR8427	5,375.	
 Left position, connecting on right	48"	27"	YBTSSFEXBTL4827	5,164.	
	54"	27"	YBTSSFEXBTL5427	5,175.	
	60"	27"	YBTSSFEXBTL6027	5,222.	
	66"	27"	YBTSSFEXBTL6627	5,264.	
	72"	27"	YBTSSFEXBTL7227	5,280.	
	78"	27"	YBTSSFEXBTL7827	5,344.	
	84"	27"	YBTSSFEXBTL8427	5,375.	
 Surround, connecting both sides	48"	27"	YBTSSFEXBTS4827	5,224.	
	54"	27"	YBTSSFEXBTS5427	5,234.	
	60"	27"	YBTSSFEXBTS6027	5,282.	
	66"	27"	YBTSSFEXBTS6627	5,325.	
	72"	27"	YBTSSFEXBTS7227	5,340.	
	78"	27"	YBTSSFEXBTS7827	5,404.	
	84"	27"	YBTSSFEXBTS8427	5,435.	

Ordering Information

Antenna Telescope Single Sided Table Bases

1. Pattern Number
2. Control Switch
3. Base Paint Finish

Order Code

Antenna Telescope Single Sided Table Bases

Example: **YBTSSFEXBTN4824, D, 118T**

YBT	Antenna Telescope Base
SSFEX	Single Sided Extended Electric
BT	Beam and Utility Tray
N	No connections
48	Width
24	Depth
D	Digital Display
118T	Bright White Paint

Included With

Antenna Telescope Single Sided Table Bases

Columns
Center beam
Rails
Connecting Hardware
Utility Tray

Options

Antenna Telescope Single Sided Table Bases

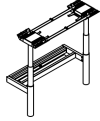
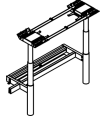
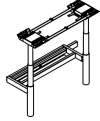
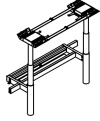
Control Switch Options:
(S) = Standard up/down control switch.
(D) = Digital Display with programmable setting. Add \$318 list for the digital display selection.
(TR) = Toggle Switch, Red.
(TG) = Toggle Switch, Grey. Add \$100 list for "Toggle Switch option".

Antenna Telescope Single Sided Table Bases

Antenna Workspaces

Extended Electric

With Beam and Utility Tray, 30" deep

description	type	w	d	pattern no.	list
Telescope Single Sided Base, Height Adjustable Extended Electric, with Beam and Tray	No crossbar connections 	48"	30"	YBTSSFE XBTN4830	\$5,110.
		54"	30"	YBTSSFE XBTN5430	5,120.
		60"	30"	YBTSSFE XBTN6030	5,167.
		66"	30"	YBTSSFE XBTN6630	5,209.
		72"	30"	YBTSSFE XBTN7230	5,225.
		78"	30"	YBTSSFE XBTN7830	5,288.
		84"	30"	YBTSSFE XBTN8430	5,321.
Right position, connecting on left 	Right position, connecting on left	48"	30"	YBTSSFE XBTR4830	5,169.
		54"	30"	YBTSSFE XBTR5430	5,180.
		60"	30"	YBTSSFE XBTR6030	5,227.
		66"	30"	YBTSSFE XBTR6630	5,270.
		72"	30"	YBTSSFE XBTR7230	5,285.
		78"	30"	YBTSSFE XBTR7830	5,349.
		84"	30"	YBTSSFE XBTR8430	5,380.
Left position, connecting on right 	Left position, connecting on right	48"	30"	YBTSSFE XBTL4830	5,169.
		54"	30"	YBTSSFE XBTL5430	5,180.
		60"	30"	YBTSSFE XBTL6030	5,227.
		66"	30"	YBTSSFE XBTL6630	5,270.
		72"	30"	YBTSSFE XBTL7230	5,285.
		78"	30"	YBTSSFE XBTL7830	5,349.
		84"	30"	YBTSSFE XBTL8430	5,380.
Surround, connecting both sides 	Surround, connecting both sides	48"	30"	YBTSSFE XBTS4830	5,229.
		54"	30"	YBTSSFE XBTS5430	5,240.
		60"	30"	YBTSSFE XBTS6030	5,330.
		66"	30"	YBTSSFE XBTS6630	5,330.
		72"	30"	YBTSSFE XBTS7230	5,346.
		78"	30"	YBTSSFE XBTS7830	5,409.
		84"	30"	YBTSSFE XBTS8430	5,440.

Antenna Telescope

Ordering Information

Antenna Telescope Single Sided Table Bases

1. Pattern Number
2. Control Switch
3. Base Paint Finish

Order Code

Antenna Telescope Single Sided Table Bases

Example: **YBTSSFE**XBTN4824, **D**, **118T**

YBT	Antenna Telescope Base
SSFEX	Single Sided Extended Electric
BT	Beam and Utility Tray
N	No connections
48	Width
24	Depth
D	Digital Display
118T	Bright White Paint

Included With

Antenna Telescope Single Sided Table Bases

Columns
Center beam
Rails
Connecting Hardware
Utility Tray

Options

Antenna Telescope Single Sided Table Bases

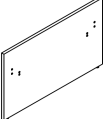
Control Switch Options:

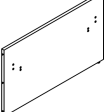
(S) = Standard up/down control switch.
(D) = Digital Display with programmable setting. Add \$318 list for the digital display selection.
(TR) = Toggle Switch, Red.
(TG) = Toggle Switch, Grey. Add \$100 list for "Toggle Switch option".

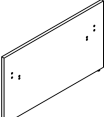
Antenna Telescope Back Panels


For Single Sided Standard Electric Bases

Laminate or Veneer, 28 1/2" H

description	w	d	h	pattern no.	Laminate (L)	V1(V)	V2(V)	V3(V)
Telescope Back Panel for Single Sided Standard Electric Base, No End Panel Connection, Desk Height 	48"	1 1/4"	28 1/2"	YBPTSSFESN2848()	\$448.	\$656.	\$765.	\$1,264.
	54"	1 1/4"	28 1/2"	YBPTSSFESN2854()	460.	671.	781.	1,289.
	60"	1 1/4"	28 1/2"	YBPTSSFESN2860()	480.	749.	865.	1,425.
	66"	1 1/4"	28 1/2"	YBPTSSFESN2866()	501.	775.	899.	1,509.
	72"	1 1/4"	28 1/2"	YBPTSSFESN2872()	512.	844.	980.	1,645.
	78"	1 1/4"	28 1/2"	YBPTSSFESN2878()	565.	912.	1,058.	1,776.
	84"	1 1/4"	28 1/2"	YBPTSSFESN2884()	618.	981.	1,137.	1,910.

Telescope Back Panel for Single Sided Standard Electric Base, Left Side End Panel Connection, Desk Height 	48"	1 1/4"	28 1/2"	YBPTSSFESL2848()	501.	709.	818.	1,317.
	54"	1 1/4"	28 1/2"	YBPTSSFESL2854()	512.	723.	834.	1,342.
	60"	1 1/4"	28 1/2"	YBPTSSFESL2860()	534.	801.	918.	1,478.
	66"	1 1/4"	28 1/2"	YBPTSSFESL2866()	554.	828.	952.	1,562.
	72"	1 1/4"	28 1/2"	YBPTSSFESL2872()	565.	898.	1,033.	1,698.
	78"	1 1/4"	28 1/2"	YBPTSSFESL2878()	618.	965.	1,111.	1,829.
	84"	1 1/4"	28 1/2"	YBPTSSFESL2884()	671.	1,034.	1,190.	1,964.

Telescope Back Panel for Single Sided Standard Electric Base, Right Side End Panel Connection, Desk Height 	48"	1 1/4"	28 1/2"	YBPTSSFESR2848()	501.	709.	818.	1,317.
	54"	1 1/4"	28 1/2"	YBPTSSFESR2854()	512.	723.	834.	1,342.
	60"	1 1/4"	28 1/2"	YBPTSSFESR2860()	534.	801.	918.	1,478.
	66"	1 1/4"	28 1/2"	YBPTSSFESR2866()	554.	828.	952.	1,562.
	72"	1 1/4"	28 1/2"	YBPTSSFESR2872()	565.	898.	1,033.	1,698.
	78"	1 1/4"	28 1/2"	YBPTSSFESR2878()	618.	965.	1,111.	1,829.
	84"	1 1/4"	28 1/2"	YBPTSSFESR2884()	671.	1,034.	1,190.	1,964.

Telescope Back Panel for Single Sided Standard Electric Base, Surround - End Panel Connection both sides, Desk Height 	48"	1 1/4"	28 1/2"	YBPTSSFESS2848()	554.	762.	870.	1,369.
	54"	1 1/4"	28 1/2"	YBPTSSFESS2854()	565.	776.	887.	1,395.
	60"	1 1/4"	28 1/2"	YBPTSSFESS2860()	586.	854.	971.	1,531.
	66"	1 1/4"	28 1/2"	YBPTSSFESS2866()	607.	881.	1,004.	1,615.
	72"	1 1/4"	28 1/2"	YBPTSSFESS2872()	618.	951.	1,085.	1,751.
	78"	1 1/4"	28 1/2"	YBPTSSFESS2878()	671.	1,017.	1,164.	1,882.
	84"	1 1/4"	28 1/2"	YBPTSSFESS2884()	723.	1,086.	1,243.	2,017.

Ordering Information

Telescope Back Panels for Single Sided Tables

1. Pattern Number
2. Surface Finish

Order Code

Telescope Back Panels for Single Sided Tables

Example: **YBPTSSFESN2848L, 118**

YBPT	Telescope Back Panel
SSFES	Single Sided Standard Electric
N	No end panel connections
28	Height
48	Width
L	Laminate
118	Bright White Laminate

Included With

Telescope Back Panels for Single Sided Tables

Glides

Options

Telescope Back Panels for Single Sided Tables

Finish Options:

(L) = Laminate
(V) = Veneer

Back Panels specified in patterned or woodgrain laminate have vertical grain direction up to 54" wide and horizontal grain direction for back panels 60" or wider.

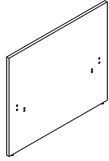
Back Panels specified in veneer have vertical grain direction for all sizes.

Antenna Telescope Back Panels

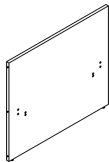
For Single Sided Standard Electric Bases

Laminate or Veneer, 42"H

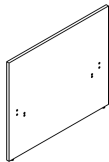
description	w	d	h	pattern no.	Laminate (L)	V1(V)	V2(V)	V3(V)
Telescope Back Panel for Single Sided Standard Electric Base, No End Panel Connection, 42"H	48"	1 1/4"	42"	YBPTSSFESN4248()	\$702.	\$826.	\$961.	\$1,681.
	54"	1 1/4"	42"	YBPTSSFESN4254()	712.	842.	981.	1,714.
	60"	1 1/4"	42"	YBPTSSFESN4260()	765.	889.	1,037.	1,846.
	66"	1 1/4"	42"	YBPTSSFESN4266()	844.	925.	1,082.	1,967.
	72"	1 1/4"	42"	YBPTSSFESN4272()	865.	1,008.	1,179.	2,143.
	78"	1 1/4"	42"	YBPTSSFESN4278()	944.	1,088.	1,274.	2,315.
	84"	1 1/4"	42"	YBPTSSFESN4284()	1,024.	1,171.	1,369.	2,489.



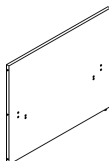
Telescope Back Panel for Single Sided Standard Electric Base, Left Side End Panel Connection, 42"H	48"	1 1/4"	42"	YBPTSSFESL4248()	755.	878.	1,013.	1,734.
	54"	1 1/4"	42"	YBPTSSFESL4254()	765.	895.	1,034.	1,767.
	60"	1 1/4"	42"	YBPTSSFESL4260()	818.	941.	1,089.	1,899.
	66"	1 1/4"	42"	YBPTSSFESL4266()	898.	978.	1,135.	2,020.
	72"	1 1/4"	42"	YBPTSSFESL4272()	918.	1,061.	1,232.	2,196.
	78"	1 1/4"	42"	YBPTSSFESL4278()	997.	1,141.	1,327.	2,368.
	84"	1 1/4"	42"	YBPTSSFESL4284()	1,076.	1,223.	1,422.	2,542.



Telescope Back Panel for Single Sided Standard Electric Base, Right Side End Panel Connection, 42"H	48"	1 1/4"	42"	YBPTSSFESR4248()	755.	878.	1,013.	1,734.
	54"	1 1/4"	42"	YBPTSSFESR4254()	765.	895.	1,034.	1,767.
	60"	1 1/4"	42"	YBPTSSFESR4260()	818.	941.	1,089.	1,899.
	66"	1 1/4"	42"	YBPTSSFESR4266()	898.	978.	1,135.	2,020.
	72"	1 1/4"	42"	YBPTSSFESR4272()	918.	1,061.	1,232.	2,196.
	78"	1 1/4"	42"	YBPTSSFESR4278()	997.	1,141.	1,327.	2,368.
	84"	1 1/4"	42"	YBPTSSFESR4284()	1,076.	1,223.	1,422.	2,542.



Telescope Back Panel for Single Sided Standard Electric Base, Surround - End Panel Connection both sides, 42"H	48"	1 1/4"	42"	YBPTSSFESS4248()	807.	931.	1,066.	1,786.
	54"	1 1/4"	42"	YBPTSSFESS4254()	818.	947.	1,086.	1,820.
	60"	1 1/4"	42"	YBPTSSFESS4260()	870.	994.	1,142.	1,952.
	66"	1 1/4"	42"	YBPTSSFESS4266()	951.	1,031.	1,188.	2,072.
	72"	1 1/4"	42"	YBPTSSFESS4272()	971.	1,114.	1,284.	2,250.
	78"	1 1/4"	42"	YBPTSSFESS4278()	1,050.	1,194.	1,380.	2,420.
	84"	1 1/4"	42"	YBPTSSFESS4284()	1,129.	1,276.	1,475.	2,595.



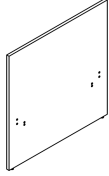
Ordering Information	Order Code	Included With	Options
Back Panels for Single Sided Tables 1. Pattern Number 2. Surface Finish	Telescope Back Panels for Single Sided Tables <i>Example:</i> YBPTSSFESN2848L, 118 <hr/> YBPT Telescope Back Panel <hr/> SSFES Single Sided Standard Electric <hr/> N No end panel connections <hr/> 28 Height <hr/> 48 Width <hr/> L Laminate <hr/> 118 Bright White Laminate	Telescope Back Panels for Single Sided Tables Glides	Telescope Back Panels for Single Sided Tables Finish Options: (L) = Laminate (V) = Veneer Back Panels specified in patterned or woodgrain laminate have vertical grain direction up to 54" wide and horizontal grain direction for back panels 60" or wider. Back Panels specified in veneer have vertical grain direction for all sizes.

Antenna Telescope Back Panels

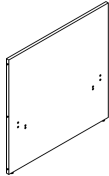
For Single Sided Standard Electric Bases

Laminate or Veneer, 49"H

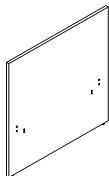
description	w	d	h	pattern no.	Laminate (L)	V1(V)	V2(V)	V3(V)
Telescope Back Panel for Single Sided Standard Electric Base, No End Panel Connection, 49"H	48"	1 1/4"	49"	YBPTSSFESN4948()	\$807.	\$900.	\$1,047.	\$1,879.
	54"	1 1/4"	49"	YBPTSSFESN4954()	818.	917.	1,068.	1,917.
	60"	1 1/4"	49"	YBPTSSFESN4960()	870.	960.	1,122.	2,057.
	66"	1 1/4"	49"	YBPTSSFESN4966()	951.	1,002.	1,175.	2,196.
	72"	1 1/4"	49"	YBPTSSFESN4972()	977.	1,092.	1,280.	2,394.
	78"	1 1/4"	49"	YBPTSSFESN4978()	1,061.	1,179.	1,383.	2,586.
	84"	1 1/4"	49"	YBPTSSFESN4984()	1,145.	1,268.	1,486.	2,779.



Telescope Back Panel for Single Sided Standard Electric Base, Left Side End Panel Connection, 49"H	48"	1 1/4"	49"	YBPTSSFESL4948()	860.	953.	1,100.	1,931.
	54"	1 1/4"	49"	YBPTSSFESL4954()	870.	970.	1,121.	1,970.
	60"	1 1/4"	49"	YBPTSSFESL4960()	924.	1,012.	1,175.	2,110.
	66"	1 1/4"	49"	YBPTSSFESL4966()	1,003.	1,055.	1,227.	2,250.
	72"	1 1/4"	49"	YBPTSSFESL4972()	1,030.	1,144.	1,333.	2,447.
	78"	1 1/4"	49"	YBPTSSFESL4978()	1,114.	1,232.	1,435.	2,640.
	84"	1 1/4"	49"	YBPTSSFESL4984()	1,198.	1,321.	1,539.	2,832.



Telescope Back Panel for Single Sided Standard Electric Base, Right Side End Panel Connection, 49"H	48"	1 1/4"	49"	YBPTSSFESR4948()	860.	953.	1,100.	1,931.
	54"	1 1/4"	49"	YBPTSSFESR4954()	870.	970.	1,121.	1,970.
	60"	1 1/4"	49"	YBPTSSFESR4960()	924.	1,012.	1,175.	2,110.
	66"	1 1/4"	49"	YBPTSSFESR4966()	1,003.	1,055.	1,227.	2,250.
	72"	1 1/4"	49"	YBPTSSFESR4972()	1,030.	1,144.	1,333.	2,447.
	78"	1 1/4"	49"	YBPTSSFESR4978()	1,114.	1,232.	1,435.	2,640.
	84"	1 1/4"	49"	YBPTSSFESR4984()	1,198.	1,321.	1,539.	2,832.



Ordering Information

Back Panels for Single Sided Tables

1. Pattern Number
2. Surface Finish

Order Code

Telescope Back Panels for Single Sided Tables

Example: **YBPTSSFESN2848L, 118**

YBPT	Telescope Back Panel
SSFES	Single Sided Standard Electric
N	No end panel connections
28	Height
48	Width
L	Laminate
118	Bright White Laminate

Included With

Telescope Back Panels for Single Sided Tables

Glides

Options

Telescope Back Panels for Single Sided Tables

Finish Options:
(L) = Laminate
(V) = Veneer

Back Panels specified in patterned or woodgrain laminate have vertical grain direction up to 54" wide and horizontal grain direction for back panels 60" or wider.

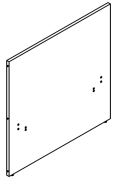
Back Panels specified in veneer have vertical grain direction for all sizes.

Antenna Telescope Back Panels

For Single Sided Standard Electric Bases

Laminate or Veneer, 49"H

description	w	d	h	pattern no.	Laminate (L)	V1(V)	V2(V)	V3(V)
Telescope Back Panel for Single Sided Standard Electric Base, Surround - End Panel Connection both sides, 49"H	48"	1 1/4"	49"	YBPTSSFESS4948()	\$913.	\$1,005.	\$1,152.	\$1,984.
	54"	1 1/4"	49"	YBPTSSFESS4954()	924.	1,023.	1,174.	2,023.
	60"	1 1/4"	49"	YBPTSSFESS4960()	977.	1,065.	1,227.	2,163.
	66"	1 1/4"	49"	YBPTSSFESS4966()	1,056.	1,108.	1,280.	2,303.
	72"	1 1/4"	49"	YBPTSSFESS4972()	1,082.	1,197.	1,386.	2,500.
	78"	1 1/4"	49"	YBPTSSFESS4978()	1,167.	1,284.	1,488.	2,692.
	84"	1 1/4"	49"	YBPTSSFESS4984()	1,251.	1,374.	1,592.	2,885.



Ordering Information

Back Panels for Single Sided Tables

1. Pattern Number
2. Surface Finish

Order Code

Telescope Back Panels for Single Sided Tables

Example: **YBPTSSFESN2848L, 118**

YBPT	Telescope Back Panel
SSFES	Single Sided Standard Electric
N	No end panel connections
28	Height
48	Width
L	Laminate
118	Bright White Laminate

Included With

Telescope Back Panels for Single Sided Tables

Glides

Options

Telescope Back Panels for Single Sided Tables

Finish Options:

(L) = Laminate
(V) = Veneer

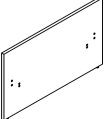
Back Panels specified in patterned or woodgrain laminate have vertical grain direction up to 54" wide and horizontal grain direction for back panels 60" or wider.

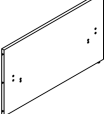
Back Panels specified in veneer have vertical grain direction for all sizes.

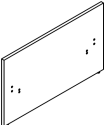
Antenna Telescope Back Panels


For Single Sided Extended Electric Bases

Laminate or Veneer, 28 1/2" H

description	w	d	h	pattern no.	Laminate (L)	V1(V)	V2(V)	V3(V)
Telescope Back Panel for Single Sided Extended Electric Base, No End Panel Connection, Desk Height 	48"	1 1/4"	28 1/2"	YBPTSSFEXN2848()	\$448.	\$656.	\$765.	\$1,264.
	54"	1 1/4"	28 1/2"	YBPTSSFEXN2854()	460.	671.	781.	1,289.
	60"	1 1/4"	28 1/2"	YBPTSSFEXN2860()	480.	749.	865.	1,425.
	66"	1 1/4"	28 1/2"	YBPTSSFEXN2866()	501.	775.	899.	1,509.
	72"	1 1/4"	28 1/2"	YBPTSSFEXN2872()	512.	844.	980.	1,645.
	78"	1 1/4"	28 1/2"	YBPTSSFEXN2878()	565.	912.	1,058.	1,776.
	84"	1 1/4"	28 1/2"	YBPTSSFEXN2884()	618.	981.	1,137.	1,910.

Telescope Back Panel for Single Sided Extended Electric Base, Left Side End Panel Connection, Desk Height 	48"	1 1/4"	28 1/2"	YBPTSSFEXL2848()	501.	709.	818.	1,317.
	54"	1 1/4"	28 1/2"	YBPTSSFEXL2854()	512.	723.	834.	1,342.
	60"	1 1/4"	28 1/2"	YBPTSSFEXL2860()	534.	801.	918.	1,478.
	66"	1 1/4"	28 1/2"	YBPTSSFEXL2866()	554.	828.	952.	1,562.
	72"	1 1/4"	28 1/2"	YBPTSSFEXL2872()	565.	898.	1,033.	1,698.
	78"	1 1/4"	28 1/2"	YBPTSSFEXL2878()	618.	965.	1,111.	1,829.
	84"	1 1/4"	28 1/2"	YBPTSSFEXL2884()	671.	1,034.	1,190.	1,964.

Telescope Back Panel for Single Sided Extended Electric Base, Right Side End Panel Connection, Desk Height 	48"	1 1/4"	28 1/2"	YBPTSSFEXR2848()	501.	709.	818.	1,317.
	54"	1 1/4"	28 1/2"	YBPTSSFEXR2854()	512.	723.	834.	1,342.
	60"	1 1/4"	28 1/2"	YBPTSSFEXR2860()	534.	801.	918.	1,478.
	66"	1 1/4"	28 1/2"	YBPTSSFEXR2866()	554.	828.	952.	1,562.
	72"	1 1/4"	28 1/2"	YBPTSSFEXR2872()	565.	898.	1,033.	1,698.
	78"	1 1/4"	28 1/2"	YBPTSSFEXR2878()	618.	965.	1,111.	1,829.
	84"	1 1/4"	28 1/2"	YBPTSSFEXR2884()	671.	1,034.	1,190.	1,964.

Telescope Back Panel for Single Sided Extended Electric Base, Surround - End Panel Connection both sides, Desk Height 	48"	1 1/4"	28 1/2"	YBPTSSFEXS2848()	554.	762.	870.	1,369.
	54"	1 1/4"	28 1/2"	YBPTSSFEXS2854()	565.	776.	887.	1,395.
	60"	1 1/4"	28 1/2"	YBPTSSFEXS2860()	586.	854.	971.	1,531.
	66"	1 1/4"	28 1/2"	YBPTSSFEXS2866()	607.	881.	1,004.	1,615.
	72"	1 1/4"	28 1/2"	YBPTSSFEXS2872()	618.	951.	1,085.	1,751.
	78"	1 1/4"	28 1/2"	YBPTSSFEXS2878()	671.	1,017.	1,164.	1,882.
	84"	1 1/4"	28 1/2"	YBPTSSFEXS2884()	723.	1,086.	1,243.	2,017.

Ordering Information

Back Panels for Single Sided Tables

1. Pattern Number
2. Surface Finish

Order Code

Telescope Back Panels for Single Sided Tables

Example: **YBPTSSFESN2848L, 118**

YBPT	Telescope Back Panel
SSFES	Single Sided Standard Electric
N	No end panel connections
28	Height
48	Width
L	Laminate
118	Bright White Laminate

Included With

Telescope Back Panels for Single Sided Tables

Glides

Options

Telescope Back Panels for Single Sided Tables

Finish Options:

(L) = Laminate
(V) = Veneer

Back Panels specified in patterned or woodgrain laminate have vertical grain direction up to 54" wide and horizontal grain direction for back panels 60" or wider.

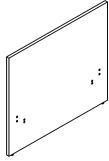
Back Panels specified in veneer have vertical grain direction for all sizes.

Antenna Telescope Back Panels

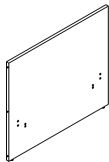
For Single Sided Extended Electric Bases

Laminate or Veneer, 42"H

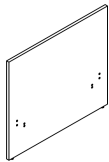
description	w	d	h	pattern no.	Laminate (L)	V1(V)	V2(V)	V3(V)
Telescope Back Panel for Single Sided Extended Electric Base, No End Panel Connection, 42"H	48"	1 1/4"	42"	YBPTSSFEXN4248()	\$702.	\$826.	\$961.	\$1,681.
	54"	1 1/4"	42"	YBPTSSFEXN4254()	712.	842.	981.	1,714.
	60"	1 1/4"	42"	YBPTSSFEXN4260()	765.	889.	1,037.	1,846.
	66"	1 1/4"	42"	YBPTSSFEXN4266()	844.	925.	1,082.	1,967.
	72"	1 1/4"	42"	YBPTSSFEXN4272()	865.	1,008.	1,179.	2,143.
	78"	1 1/4"	42"	YBPTSSFEXN4278()	944.	1,088.	1,274.	2,315.
	84"	1 1/4"	42"	YBPTSSFEXN4284()	1,024.	1,171.	1,369.	2,489.



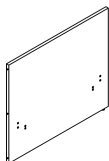
Telescope Back Panel for Single Sided Extended Electric Base, Left Side End Panel Connection, 42"H	48"	1 1/4"	42"	YBPTSSFEXL4248()	755.	878.	1,013.	1,734.
	54"	1 1/4"	42"	YBPTSSFEXL4254()	765.	895.	1,034.	1,767.
	60"	1 1/4"	42"	YBPTSSFEXL4260()	818.	941.	1,089.	1,899.
	66"	1 1/4"	42"	YBPTSSFEXL4266()	898.	978.	1,135.	2,020.
	72"	1 1/4"	42"	YBPTSSFEXL4272()	918.	1,061.	1,232.	2,196.
	78"	1 1/4"	42"	YBPTSSFEXL4278()	997.	1,141.	1,327.	2,368.
	84"	1 1/4"	42"	YBPTSSFEXL4284()	1,076.	1,223.	1,422.	2,542.



Telescope Back Panel for Single Sided Extended Electric Base, Right Side End Panel Connection, 42"H	48"	1 1/4"	42"	YBPTSSFEXR4248()	755.	878.	1,013.	1,734.
	54"	1 1/4"	42"	YBPTSSFEXR4254()	765.	895.	1,034.	1,767.
	60"	1 1/4"	42"	YBPTSSFEXR4260()	818.	941.	1,089.	1,899.
	66"	1 1/4"	42"	YBPTSSFEXR4266()	898.	978.	1,135.	2,020.
	72"	1 1/4"	42"	YBPTSSFEXR4272()	918.	1,061.	1,232.	2,196.
	78"	1 1/4"	42"	YBPTSSFEXR4278()	997.	1,141.	1,327.	2,368.
	84"	1 1/4"	42"	YBPTSSFEXR4284()	1,076.	1,223.	1,422.	2,542.



Telescope Back Panel for Single Sided Extended Electric Base, Surround - End Panel Connection both sides, 42"H	48"	1 1/4"	42"	YBPTSSFEXS4248()	807.	931.	1,066.	1,786.
	54"	1 1/4"	42"	YBPTSSFEXS4254()	818.	947.	1,086.	1,820.
	60"	1 1/4"	42"	YBPTSSFEXS4260()	870.	994.	1,142.	1,952.
	66"	1 1/4"	42"	YBPTSSFEXS4266()	951.	1,031.	1,188.	2,072.
	72"	1 1/4"	42"	YBPTSSFEXS4272()	971.	1,114.	1,284.	2,250.
	78"	1 1/4"	42"	YBPTSSFEXS4278()	1,050.	1,194.	1,380.	2,420.
	84"	1 1/4"	42"	YBPTSSFEXS4284()	1,129.	1,276.	1,475.	2,595.



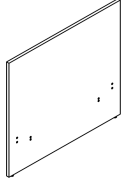
Ordering Information	Order Code	Included With	Options
Back Panels for Single Sided Tables 1. Pattern Number 2. Surface Finish	Telescope Back Panels for Single Sided Tables <hr/> <i>Example:</i> YBPTSSFESN2848L, 118 <hr/> YBPT Telescope Back Panel <hr/> SSFES Single Sided Standard Electric <hr/> N No end panel connections <hr/> 28 Height <hr/> 48 Width <hr/> L Laminate <hr/> 118 Bright White Laminate	Telescope Back Panels for Single Sided Tables Glides	Telescope Back Panels for Single Sided Tables Finish Options: (L) = Laminate (V) = Veneer Back Panels specified in patterned or woodgrain laminate have vertical grain direction up to 54" wide and horizontal grain direction for back panels 60" or wider. Back Panels specified in veneer have vertical grain direction for all sizes.

Antenna Telescope Back Panels

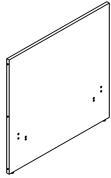
For Single Sided Extended Electric Bases

Laminate or Veneer, 49"H

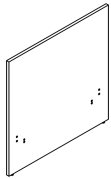
description	w	d	h	pattern no.	Laminate (L)	V1(V)	V2(V)	V3(V)
Telescope Back Panel for Single Sided Extended Electric Base, No End Panel Connection, 49"H	48"	1 1/4"	49"	YBPTSSFEXN4948()	\$807.	\$900.	\$1,047.	\$1,879.
	54"	1 1/4"	49"	YBPTSSFEXN4954()	818.	917.	1,068.	1,917.
	60"	1 1/4"	49"	YBPTSSFEXN4960()	870.	960.	1,122.	2,057.
	66"	1 1/4"	49"	YBPTSSFEXN4966()	951.	1,002.	1,175.	2,196.
	72"	1 1/4"	49"	YBPTSSFEXN4972()	977.	1,092.	1,280.	2,394.
	78"	1 1/4"	49"	YBPTSSFEXN4978()	1,061.	1,179.	1,383.	2,586.
	84"	1 1/4"	49"	YBPTSSFEXN4984()	1,145.	1,268.	1,486.	2,779.



Telescope Back Panel for Single Sided Extended Electric Base, Left Side End Panel Connection, 49"H	48"	1 1/4"	49"	YBPTSSFEXL4948()	860.	953.	1,100.	1,931.
	54"	1 1/4"	49"	YBPTSSFEXL4954()	870.	970.	1,121.	1,970.
	60"	1 1/4"	49"	YBPTSSFEXL4960()	924.	1,012.	1,175.	2,110.
	66"	1 1/4"	49"	YBPTSSFEXL4966()	1,003.	1,055.	1,227.	2,250.
	72"	1 1/4"	49"	YBPTSSFEXL4972()	1,030.	1,144.	1,333.	2,447.
	78"	1 1/4"	49"	YBPTSSFEXL4978()	1,114.	1,232.	1,435.	2,640.
	84"	1 1/4"	49"	YBPTSSFEXL4984()	1,198.	1,321.	1,539.	2,832.



Telescope Back Panel for Single Sided Extended Electric Base, Right Side End Panel Connection, 49"H	48"	1 1/4"	49"	YBPTSSFEXR4948()	860.	953.	1,100.	1,931.
	54"	1 1/4"	49"	YBPTSSFEXR4954()	870.	970.	1,121.	1,970.
	60"	1 1/4"	49"	YBPTSSFEXR4960()	924.	1,012.	1,175.	2,110.
	66"	1 1/4"	49"	YBPTSSFEXR4966()	1,003.	1,055.	1,227.	2,250.
	72"	1 1/4"	49"	YBPTSSFEXR4972()	1,030.	1,144.	1,333.	2,447.
	78"	1 1/4"	49"	YBPTSSFEXR4978()	1,114.	1,232.	1,435.	2,640.
	84"	1 1/4"	49"	YBPTSSFEXR4984()	1,198.	1,321.	1,539.	2,832.



Ordering Information

Back Panels for Single Sided Tables

1. Pattern Number
2. Surface Finish

Order Code

Telescope Back Panels for Single Sided Tables

Example: **YBPTSSFESN2848L, 118**

YBPT	Telescope Back Panel
SSFES	Single Sided Standard Electric
N	No end panel connections
28	Height
48	Width
L	Laminate
118	Bright White Laminate

Included With

Telescope Back Panels for Single Sided Tables

Glides

Options

Telescope Back Panels for Single Sided Tables

Finish Options:

(L) = Laminate
(V) = Veneer

Back Panels specified in patterned or woodgrain laminate have vertical grain direction up to 54" wide and horizontal grain direction for back panels 60" or wider.

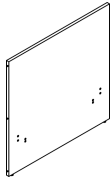
Back Panels specified in veneer have vertical grain direction for all sizes.

Antenna Telescope Back Panels

For Single Sided Extended Electric Bases

Laminate or Veneer, 49"H

description	w	d	h	pattern no.	Laminate (L)	V1(V)	V2(V)	V3(V)
Telescope Back Panel for Single Sided Extended Electric Base,	48"	1 1/4"	49"	YBPTSSFEXS4948()	\$913.	\$1,005.	\$1,152.	\$1,984.
Surround - End Panel Connection both sides,	54"	1 1/4"	49"	YBPTSSFEXS4954()	924.	1,023.	1,174.	2,023.
49"H	60"	1 1/4"	49"	YBPTSSFEXS4960()	977.	1,065.	1,227.	2,163.
	66"	1 1/4"	49"	YBPTSSFEXS4966()	1,056.	1,108.	1,280.	2,303.
	72"	1 1/4"	49"	YBPTSSFEXS4972()	1,082.	1,197.	1,386.	2,500.
	78"	1 1/4"	49"	YBPTSSFEXS4978()	1,167.	1,284.	1,488.	2,692.
	84"	1 1/4"	49"	YBPTSSFEXS4984()	1,251.	1,374.	1,592.	2,885.



Ordering Information

Back Panels for Single Sided Tables

1. Pattern Number
2. Surface Finish

Order Code

Telescope Back Panels for Single Sided Tables

Example: **YBPTSSFESN2848L, 118**

YBPT	Telescope Back Panel
SSFES	Single Sided Standard Electric
N	No end panel connections
28	Height
48	Width
L	Laminate
118	Bright White Laminate

Included With

Telescope Back Panels for Single Sided Tables

Glides

Options

Telescope Back Panels for Single Sided Tables

Finish Options:

(L) = Laminate
(V) = Veneer

Back Panels specified in patterned or woodgrain laminate have vertical grain direction up to 54" wide and horizontal grain direction for back panels 60" or wider.

Back Panels specified in veneer have vertical grain direction for all sizes.

Antenna Telescope 120° Triad

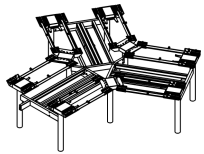
Standard Electric

With Beam and Dual Utility Trays

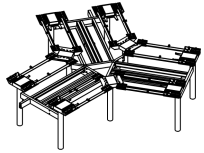
description	type	w	d	pattern no.	list
Telescope Base, Height Adjustable, Standard Electric with Beam and Dual Trays, No Crossbar Connection	For use in standalone triad applications	48"		YBTYESBTN48	\$16,758.
	For use in standalone triad applications	54"		YBTYESBTN54	16,785.
	For use in standalone triad applications	60"		YBTYESBTN60	16,890.



Telescope Base, Height Adjustable, Standard Electric with Beam and Dual Trays, 1 Crossbar Connection	For use in triad applications with one end connection	48"		YBTYESBT148	16,758.
	For use in triad applications with one end connection	54"		YBTYESBT154	16,785.
	For use in triad applications with one end connection	60"		YBTYESBT160	16,890.



Telescope Base, Height Adjustable, Standard Electric with Beam and Dual Trays, 2 Crossbar Connections	For use in triad applications with two end connection	48"		YBTYESBT248	16,758.
	For use in triad applications with two end connection	54"		YBTYESBT254	16,785.
	For use in triad applications with two end connection	60"		YBTYESBT260	16,890.



Ordering Information

Antenna Telescope 120° Triad

1. Pattern Number
2. Control Switch
3. Base Paint Finish

Order Code

Antenna Telescope 120° Triad

Example: **YBTYESBT148, D, 118T**

YBTY	Antenna Telescope 120° Triad
ES	Standard Electric
BT	With Beam and Trays
1	1 Connection
60	Width
118T	Bright White Paint

Included With

Antenna Telescope 120° Triad

Column
Center Beam
Dual Trays
Rails
Connecting Hardware

Options

Antenna Telescope 120° Triad

Control Switch Options

(S) = Standard up/down control switch
(D) = Digital Display with programmable settings. Add \$954 list for the digital display selection.
(TR) = Toggle Switch, Red.
(TG) = Toggle Switch, Grey. Add \$300 list for "Toggle Switch option".

Antenna Telescope 120° Triad

Standard Electric

With Beam and Dual Utility Trays

description	type	w	d	pattern no.	list
Telescope Base, Height Adjustable, Standard Electric with Beam and Dual Trays, 3 Crossbar Connections	For use in triad applications with three end connection	48"		YBTYESBT348	\$16,758.
	For use in triad applications with three end connection	54"		YBTYESBT354	16,785.
	For use in triad applications with three end connection	60"		YBTYESBT360	16,890.



Ordering Information

Antenna Telescope 120° Triad

1. Pattern Number
2. Control Switch
3. Base Paint Finish

Order Code

Antenna Telescope 120° Triad

Example: **YBTYESBT148, D, 118T**

YBTY	Antenna Telescope 120° Triad
ES	Standard Electric
BT	With Beam and Trays
1	1 Connection
60	Width
118T	Bright White Paint

Included With

Antenna Telescope 120° Triad

Column
Center Beam
Dual Trays
Rails
Connecting Hardware

Options

Antenna Telescope 120° Triad

Control Switch Options

(S) = Standard up/down control switch
(D) = Digital Display with programmable settings. Add \$954 list for the digital display selection.
(TR) = Toggle Switch, Red.
(TG) = Toggle Switch, Grey. Add \$300 list for "Toggle Switch option".

Antenna Telescope 120° Triad

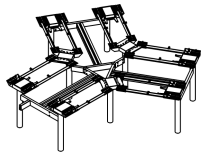
Standard Electric

With Beam Only

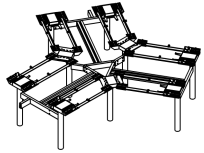
description	type	w	d	pattern no.	list
Telescope Base, Height Adjustable, Standard Electric with Beam, No Crossbar Connection	For use in standalone triad applications	48"		YBTYESBNN48	\$15,180.
	For use in standalone triad applications	54"		YBTYESBNN54	15,307.
	For use in standalone triad applications	60"		YBTYESBNN60	15,412.



Telescope Base, Height Adjustable, Standard Electric with Beam, 1 Crossbar Connection	For use in triad applications with one end connection	48"		YBTYESBN148	15,180.
	For use in triad applications with one end connection	54"		YBTYESBN154	15,307.
	For use in triad applications with one end connection	60"		YBTYESBN160	15,412.



Telescope Base, Height Adjustable, Standard Electric with Beam, 2 Crossbar Connections	For use in triad applications with two end connection	48"		YBTYESBN248	15,180.
	For use in triad applications with two end connection	54"		YBTYESBN254	15,307.
	For use in triad applications with two end connection	60"		YBTYESBN260	15,412.



Ordering Information

Antenna Telescope 120° Triad

1. Pattern Number
2. Control Switch
3. Base Paint Finish

Order Code

Antenna Telescope 120° Triad

Example: **YBTYESBN148, D, 118T**

YBTY Antenna Telescope 120° Triad

ES Standard Electric

BN With Beam

1 1 Connection

60 Width

118T Bright White Paint

Included With

Antenna Telescope 120° Triad

Column
Center Beam
Dual Trays
Rails
Connecting Hardware

Options

Antenna Telescope 120° Triad

Control Switch Options

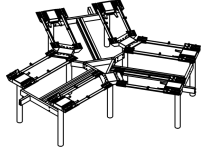
(S) = Standard up/down control switch
(D) = Digital Display with programmable settings. Add \$954 list for the digital display selection.
(TR) = Toggle Switch, Red.
(TG) = Toggle Switch, Grey. Add \$300 list for "Toggle Switch option".

Antenna Telescope 120° Triad

Standard Electric

With Beam Only

description	type	w	d	pattern no.	list
Telescope Base, Height Adjustable, Standard Electric with Beam, 3 Crossbar Connections	For use in triad applications with three end connection	48"		YBTYESBN348	\$15,180.
	For use in triad applications with three end connection	54"		YBTYESBN354	15,307.
	For use in triad applications with three end connection	60"		YBTYESBN360	15,412.



Ordering Information

Antenna Telescope 120° Triad

1. Pattern Number
2. Control Switch
3. Base Paint Finish

Order Code

Antenna Telescope 120° Triad

Example: **YBTYESBN148, D, 118T**

YBTY	Antenna Telescope 120° Triad
ES	Standard Electric
BN	With Beam
1	1 Connection
60	Width
118T	Bright White Paint

Included With

Antenna Telescope 120° Triad

Column
Center Beam
Dual Trays
Rails
Connecting Hardware

Options

Antenna Telescope 120° Triad

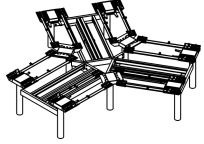
Control Switch Options
(S) = Standard up/down control switch
(D) = Digital Display with programmable settings. Add \$954 list for the digital display selection.
(TR) = Toggle Switch, Red.
(TG) = Toggle Switch, Grey. Add \$300 list for "Toggle Switch option".

Antenna Telescope 120° Triad

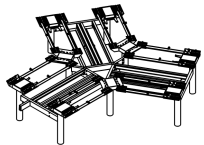
Extended Electric

With Beam and Dual Utility Trays

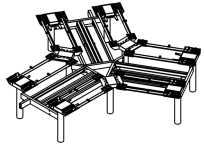
description	type	w	d	pattern no.	list
Telescope Base, Height Adjustable, Extended Electric with Beam and Dual Trays, No Crossbar Connection	For use in standalone triad applications	48"		YBTYEXBTN48	\$19,001.
	For use in standalone triad applications	54"		YBTYEXBTN54	19,133.
	For use in standalone triad applications	60"		YBTYEXBTN60	19,238.



Telescope Base, Height Adjustable, Extended Electric with Beam and Dual Trays, 1 Crossbar Connection	For use in triad applications with one end connection	48"		YBTYEXBT148	19,001.
	For use in triad applications with one end connection	54"		YBTYEXBT154	19,133.
	For use in triad applications with one end connection	60"		YBTYEXBT160	19,238.



Telescope Base, Height Adjustable, Extended Electric with Beam and Dual Trays, 2 Crossbar Connections	For use in triad applications with two end connection	48"		YBTYEXBT248	19,001.
	For use in triad applications with two end connection	54"		YBTYEXBT254	19,133.
	For use in triad applications with two end connection	60"		YBTYEXBT260	19,238.



Ordering Information

Antenna Telescope 120° Triad

1. Pattern Number
2. Control Switch
3. Base Paint Finish

Order Code

Antenna Telescope 120° Triad

Example: **YBTYEXBT148, D, 118T**

YBTY	Antenna Telescope 120° Triad
EX	Extended Electric
BT	With Beam and Trays
1	1 Connection
60	Width
118T	Bright White Paint

Included With

Antenna Telescope 120° Triad

Column
Center Beam
Dual Trays
Rails
Connecting Hardware

Options

Antenna Telescope 120° Triad

Control Switch Options

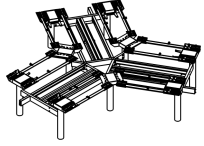
(S) = Standard up/down control switch
(D) = Digital Display with programmable settings. Add \$954 list for the digital display selection.
(TR) = Toggle Switch, Red.
(TG) = Toggle Switch, Grey. Add \$300 list for "Toggle Switch option".

Antenna Telescope 120° Triad

Extended Electric

With Beam and Dual Utility Trays

description	type	w	d	pattern no.	list
Telescope Base, Height Adjustable, Extended Electric with Beam and Dual Trays, 3 Crossbar Connections	For use in triad applications with three end connection	48"		YBTYEXBT348	\$19,001.
	For use in triad applications with three end connection	54"		YBTYEXBT354	19,133.
	For use in triad applications with three end connection	60"		YBTYEXBT360	19,238.



Ordering Information

Antenna Telescope 120° Triad

1. Pattern Number
2. Control Switch
3. Base Paint Finish

Order Code

Antenna Telescope 120° Triad

Example: **YBTYEXBT148, D, 118T**

YBTY	Antenna Telescope 120° Triad
EX	Extended Electric
BT	With Beam and Trays
1	1 Connection
60	Width
118T	Bright White Paint

Included With

Antenna Telescope 120° Triad

Column
Center Beam
Dual Trays
Rails
Connecting Hardware

Options

Antenna Telescope 120° Triad

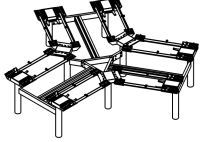
Control Switch Options

(S) = Standard up/down control switch
(D) = Digital Display with programmable settings. Add \$954 list for the digital display selection.
(TR) = Toggle Switch, Red.
(TG) = Toggle Switch, Grey. Add \$300 list for "Toggle Switch option".

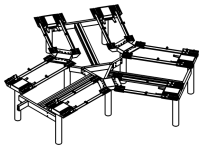
Antenna Telescope 120° Triad

Extended Electric With Beam Only

description	type	w	d	pattern no.	list
Telescope Base, Height Adjustable, Extended Electric with Beam, No Crossbar Connection	For use in standalone triad applications	48"		YBTYEXBNN48	\$17,439.
	For use in standalone triad applications	54"		YBTYEXBNN54	17,566.
	For use in standalone triad applications	60"		YBTYEXBNN60	17,671.



Telescope Base, Height Adjustable, Extended Electric with Beam, 1 Crossbar Connection	For use in triad applications with one end connection	48"		YBTYEXBN148	17,439.
	For use in triad applications with one end connection	54"		YBTYEXBN154	17,566.
	For use in triad applications with one end connection	60"		YBTYEXBN160	17,671.



Telescope Base, Height Adjustable, Extended Electric with Beam, 2 Crossbar Connections	For use in triad applications with two end connection	48"		YBTYEXBN248	17,439.
	For use in triad applications with two end connection	54"		YBTYEXBN254	17,566.
	For use in triad applications with two end connection	60"		YBTYEXBN260	17,671.



Ordering Information

Antenna Telescope 120° Triad

1. Pattern Number
2. Control Switch
3. Base Paint Finish

Order Code

Antenna Telescope 120° Triad

Example: **YBTYEXBN148, D, 118T**

YBTY	Antenna Telescope 120° Triad
EX	Extended Electric
BN	With Beam
1	1 Connection
60	Width
118T	Bright White Paint

Included With

Antenna Telescope 120° Triad

Column
Center Beam
Dual Trays
Rails
Connecting Hardware

Options

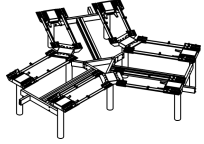
Antenna Telescope 120° Triad

Control Switch Options
(S) = Standard up/down control switch
(D) = Digital Display with programmable settings. Add \$954 list for the digital display selection.
(TR) = Toggle Switch, Red.
(TG) = Toggle Switch, Grey. Add \$300 list for "Toggle Switch option".

Antenna Telescope 120° Triad

Extended Electric With Beam Only

description	type	w	d	pattern no.	list
Telescope Base, Height Adjustable, Extended Electric with Beam, 3 Crossbar Connections	For use in triad applications with three end connection	48"		YBTYEXBN348	\$17,439.
	For use in triad applications with three end connection	54"		YBTYEXBN354	17,566.
	For use in triad applications with three end connection	60"		YBTYEXBN360	17,671.



Ordering Information

Antenna Telescope 120° Triad

1. Pattern Number
2. Control Switch
3. Base Paint Finish

Order Code

Antenna Telescope 120° Triad

Example: **YBTYEXBN148, D, 118T**

YBTY Antenna Telescope 120° Triad

EX Extended Electric

BN With Beam

1 1 Connection

60 Width

118T Bright White Paint

Included With

Antenna Telescope 120° Triad

Column
Center Beam
Dual Trays
Rails
Connecting Hardware

Options


Antenna Telescope 120° Triad

Control Switch Options

(S) = Standard up/down control switch
(D) = Digital Display with programmable settings. Add \$954 list for the digital display selection.
(TR) = Toggle Switch, Red.
(TG) = Toggle Switch, Grey. Add \$300 list for "Toggle Switch option".

Antenna Telescope Dual Return Bases


Standard Electric

description	type	w	d	pattern no.	list
Telescope Return Base, Height Adjustable Standard Electric 	For 54"W Return, Includes Depth of Adjoining Top	15"	54"	YBTRES54	\$2,012.
	For 57"W Return, Includes Depth of Adjoining Top	15"	57"	YBTRES57	2,018.
	For 60"W Return, Includes Depth of Adjoining Top	15"	60"	YBTRES60	2,028.
	For 63"W Return, Includes Depth of Adjoining Top	15"	63"	YBTRES63	2,038.
	For 66"W Return, Includes Depth of Adjoining Top	15"	66"	YBTRES66	2,044.
	For 69"W Return, Includes Depth of Adjoining Top	15"	69"	YBTRES69	2,050.
	For 72"W Return, Includes Depth of Adjoining Top	15"	72"	YBTRES72	2,060.
	For 75"W Return, Includes Depth of Adjoining Top	15"	75"	YBTRES75	2,065.
	For 78"W Return, Includes Depth of Adjoining Top	15"	78"	YBTRES78	2,071.
	For 81"W Return, Includes Depth of Adjoining Top	15"	81"	YBTRES81	2,082.
	For 84"W Return, Includes Depth of Adjoining Top	15"	84"	YBTRES84	2,088.
	For 87"W Return, Includes Depth of Adjoining Top	15"	87"	YBTRES87	2,090.
	For 90"W Return, Includes Depth of Adjoining Top	15"	90"	YBTRES90	2,094.
	For 93"W Return, Includes Depth of Adjoining Top	15"	93"	YBTRES93	2,104.
	For 96"W Return, Includes Depth of Adjoining Top	15"	96"	YBTRES96	2,121.
	For 99"W Return, Includes Depth of Adjoining Top	15"	99"	YBTRES99	2,123.
For 102"W Return, Includes Depth of Adjoining Top	15"	102"	YBTRES102	2,126.	

Ordering Information	Order Code	Included With	Options
Antenna Telescope Return Bases 1. Pattern Number 2. Base Paint Finish	Antenna Telescope Return Bases <i>Example:</i> YBTRES60, 118T YBTR Antenna Telescope Return Base ES Standard Electric 60 Depth 118T Bright White Paint	Antenna Telescope Return Bases Column Rails Connecting Hardware	Antenna Telescope Return Bases

Antenna Telescope Dual Return Bases

Extended Electric


description	type	w	d	pattern no.	list
 Telescope Return Base, Height Adjustable Extended Electric	For 54"W Return, Includes Depth of Adjoining Top	15"	54"	YBTREX54	\$2,311.
	For 57"W Return, Includes Depth of Adjoining Top	15"	57"	YBTREX57	2,316.
	For 60"W Return, Includes Depth of Adjoining Top	15"	60"	YBTREX60	2,326.
	For 63"W Return, Includes Depth of Adjoining Top	15"	63"	YBTREX63	2,338.
	For 66"W Return, Includes Depth of Adjoining Top	15"	66"	YBTREX66	2,343.
	For 69"W Return, Includes Depth of Adjoining Top	15"	69"	YBTREX69	2,348.
	For 72"W Return, Includes Depth of Adjoining Top	15"	72"	YBTREX72	2,360.
	For 75"W Return, Includes Depth of Adjoining Top	15"	75"	YBTREX75	2,365.
	For 78"W Return, Includes Depth of Adjoining Top	15"	78"	YBTREX78	2,370.
	For 81"W Return, Includes Depth of Adjoining Top	15"	81"	YBTREX81	2,382.
	For 84"W Return, Includes Depth of Adjoining Top	15"	84"	YBTREX84	2,387.
	For 87"W Return, Includes Depth of Adjoining Top	15"	87"	YBTREX87	2,389.
	For 90"W Return, Includes Depth of Adjoining Top	15"	90"	YBTREX90	2,392.
	For 93"W Return, Includes Depth of Adjoining Top	15"	93"	YBTREX93	2,402.
	For 96"W Return, Includes Depth of Adjoining Top	15"	96"	YBTREX96	2,419.
For 99"W Return, Includes Depth of Adjoining Top	15"	99"	YBTREX99	2,421.	
For 102"W Return, Includes Depth of Adjoining Top	15"	102"	YBTREX102	2,424.	

Antenna Telescope

Ordering Information	Order Code	Included With	Options
Antenna Telescope Return Bases 1. Pattern Number 2. Base Paint Finish	Antenna Telescope Return Bases <i>Example:</i> YBTREX60, 118T YBTR Antenna Telescope Return Base EX Extended Electric 60 Depth 118T Bright White Paint	Antenna Telescope Return Bases Column Rails Connecting Hardware	Antenna Telescope Return Bases

Antenna Telescope Dual Return Bases

Fixed Height

description	type	w	d	pattern no.	list
Telescope Return Base, Fixed Height 	For 54"W Return, Includes Depth of Adjoining Top	15"	54"	YBTRFS54	\$1,015.
	For 57"W Return, Includes Depth of Adjoining Top	15"	57"	YBTRFS57	1,021.
	For 60"W Return, Includes Depth of Adjoining Top	15"	60"	YBTRFS60	1,032.
	For 63"W Return, Includes Depth of Adjoining Top	15"	63"	YBTRFS63	1,042.
	For 66"W Return, Includes Depth of Adjoining Top	15"	66"	YBTRFS66	1,047.
	For 69"W Return, Includes Depth of Adjoining Top	15"	69"	YBTRFS69	1,054.
	For 72"W Return, Includes Depth of Adjoining Top	15"	72"	YBTRFS72	1,064.
	For 75"W Return, Includes Depth of Adjoining Top	15"	75"	YBTRFS75	1,069.
	For 78"W Return, Includes Depth of Adjoining Top	15"	78"	YBTRFS78	1,074.
	For 81"W Return, Includes Depth of Adjoining Top	15"	81"	YBTRFS81	1,085.
	For 84"W Return, Includes Depth of Adjoining Top	15"	84"	YBTRFS84	1,092.
	For 87"W Return, Includes Depth of Adjoining Top	15"	87"	YBTRFS87	1,094.
	For 90"W Return, Includes Depth of Adjoining Top	15"	90"	YBTRFS90	1,097.
	For 93"W Return, Includes Depth of Adjoining Top	15"	93"	YBTRFS93	1,108.
	For 96"W Return, Includes Depth of Adjoining Top	15"	96"	YBTRFS96	1,124.
	For 99"W Return, Includes Depth of Adjoining Top	15"	99"	YBTRFS99	1,126.
For 102"W Return, Includes Depth of Adjoining Top	15"	102"	YBTRFS102	1,129.	

Ordering Information

Bases

1. Pattern Number
2. Base Paint Finish

Order Code

Bases

Example: **YBTRES60, 118T**

YBTR Antenna Telescope Return Base

FX Fixed Height

60 Depth

118T Bright White Paint

Included With

Antenna Telescope Return Bases


Column
 Rails
 Connecting Hardware

Options

Antenna Telescope Return Bases

Antenna Telescope Single Sided Return Bases

Standard Electric


description	type	w	d	pattern no.	list
Telescope Return Base, Height Adjustable Standard Electric 	For 54"W Return, Includes width of return + 24"	15"	54"	YBTRES54	\$2,012.
	For 57"W Return, Includes width of return + 24"	15"	57"	YBTRES57	2,018.
	For 60"W Return, Includes width of return + 24"	15"	60"	YBTRES60	2,028.
	For 63"W Return, Includes width of return + 24"	15"	63"	YBTRES63	2,038.
	For 66"W Return, Includes width of return + 24"	15"	66"	YBTRES66	2,044.
	For 69"W Return, Includes width of return + 24"	15"	69"	YBTRES69	2,050.
	For 72"W Return, Includes width of return + 24"	15"	72"	YBTRES72	2,060.
	For 75"W Return, Includes width of return + 24"	15"	75"	YBTRES75	2,065.
	For 78"W Return, Includes width of return + 24"	15"	78"	YBTRES78	2,071.
	For 81"W Return, Includes width of return + 24"	15"	81"	YBTRES81	2,082.
	For 84"W Return, Includes width of return + 24"	15"	84"	YBTRES84	2,088.
	For 87"W Return, Includes width of return + 24"	15"	87"	YBTRES87	2,090.
	For 90"W Return, Includes width of return + 24"	15"	90"	YBTRES90	2,094.
	For 93"W Return, Includes width of return + 24"	15"	93"	YBTRES93	2,104.
	For 96"W Return, Includes width of return + 24"	15"	96"	YBTRES96	2,121.

Antenna Telescope

Ordering Information	Order Code	Included With	Options
Antenna Telescope Return Bases 1. Pattern Number 2. Base Paint Finish	Antenna Telescope Return Bases <i>Example:</i> YBTRES60, 118T YBTR Antenna Telescope Return Base ES Standard Electric 60 Depth 118T Bright White Paint	Antenna Telescope Return Bases Column Rails Connecting Hardware	Antenna Telescope Return Bases

Antenna Telescope Single Sided Return Bases

Extended Electric

description	type	w	d	pattern no.	list
Telescope Return Base, Height Adjustable Extended Electric 	For 54"W Return, Includes width of return + 24"	15"	54"	YBTREX54	\$2,311.
	For 57"W Return, Includes width of return + 24"	15"	57"	YBTREX57	2,316.
	For 60"W Return, Includes width of return + 24"	15"	60"	YBTREX60	2,326.
	For 63"W Return, Includes width of return + 24"	15"	63"	YBTREX63	2,338.
	For 66"W Return, Includes width of return + 24"	15"	66"	YBTREX66	2,343.
	For 69"W Return, Includes width of return + 24"	15"	69"	YBTREX69	2,348.
	For 72"W Return, Includes width of return + 24"	15"	72"	YBTREX72	2,360.
	For 75"W Return, Includes width of return + 24"	15"	75"	YBTREX75	2,365.
	For 78"W Return, Includes width of return + 24"	15"	78"	YBTREX78	2,370.
	For 81"W Return, Includes width of return + 24"	15"	81"	YBTREX81	2,382.
	For 84"W Return, Includes width of return + 24"	15"	84"	YBTREX84	2,387.
	For 87"W Return, Includes width of return + 24"	15"	87"	YBTREX87	2,389.
	For 90"W Return, Includes width of return + 24"	15"	90"	YBTREX90	2,392.
	For 93"W Return, Includes width of return + 24"	15"	93"	YBTREX93	2,402.
	For 96"W Return, Includes width of return + 24"	15"	96"	YBTREX96	2,419.

Ordering Information

Antenna Telescope Return Bases

1. Pattern Number
2. Base Paint Finish

Order Code

Antenna Telescope Return Bases

Example: **YBTREX60, 118T**

YBTR Antenna Telescope
Return Base

EX Extended Electric

60 Depth

118T Bright White Paint

Included With

Antenna Telescope Return Bases


Column
Rails
Connecting Hardware

Options

Antenna Telescope Return Bases

Antenna Telescope Single Sided Return Bases

Fixed Height

description	type	w	d	pattern no.	list
Telescope Return Base, Fixed Height 	For 54"W Return, Includes width of return + 24"	15"	54"	YBTRFS54	\$1,015.
	For 57"W Return, Includes width of return + 24"	15"	57"	YBTRFS57	1,021.
	For 60"W Return, Includes width of return + 24"	15"	60"	YBTRFS60	1,032.
	For 63"W Return, Includes width of return + 24"	15"	63"	YBTRFS63	1,042.
	For 66"W Return, Includes width of return + 24"	15"	66"	YBTRFS66	1,047.
	For 69"W Return, Includes width of return + 24"	15"	69"	YBTRFS69	1,054.
	For 72"W Return, Includes width of return + 24"	15"	72"	YBTRFS72	1,064.
	For 75"W Return, Includes width of return + 24"	15"	75"	YBTRFS75	1,069.
	For 78"W Return, Includes width of return + 24"	15"	78"	YBTRFS78	1,074.
	For 81"W Return, Includes width of return + 24"	15"	81"	YBTRFS81	1,085.
	For 84"W Return, Includes width of return + 24"	15"	84"	YBTRFS84	1,092.
	For 87"W Return, Includes width of return + 24"	15"	87"	YBTRFS87	1,094.
	For 90"W Return, Includes width of return + 24"	15"	90"	YBTRFS90	1,097.
	For 93"W Return, Includes width of return + 24"	15"	93"	YBTRFS93	1,108.
	For 96"W Return, Includes width of return + 24"	15"	96"	YBTRFS96	1,124.

Antenna Telescope

Ordering Information	Order Code	Included With	Options
Bases	Bases	Antenna Telescope Return Bases	Antenna Telescope Return Bases
1. Pattern Number	<i>Example:</i> YBTRES60, 118T	Column	
2. Base Paint Finish	YBTR Antenna Telescope Return Base	Rails	
	FX Fixed Height	Connecting Hardware	
	60 Depth		
	118T Bright White Paint		

Antenna Telescope Y-Base Tables

Standard Electric

description	w	d	h	pattern no.	L	V1/Mixed (V/M)	V2 (V)	V3 (V)
Telescope Y-base Table with Track Shape Antenna Top, Standard Electric	60"	30"	28.1" - 43.7"	YKTT6030YESG ()	\$4,540.	\$4,993.	\$5,093.	\$5,602.
	66"	30"	28.1" - 43.7"	YKTT6630YESG ()	4,592.	5,051.	5,152.	5,668.
	72"	30"	28.1" - 43.7"	YKTT7230YESG ()	4,619.	5,080.	5,182.	5,700.
	72"	36"	28.1" - 43.7"	YKTT7236YESG ()	4,645.	5,448.	5,556.	6,107.
	84"	42"	28.4" - 43.9"	YKTT8442YESG ()	5,199.	5,775.	5,890.	6,473.



Telescope Y-base Table with Bullet Shape Antenna Top, Standard Electric	72"	36"	28.1" - 43.7"	YKTB7236YESG ()	4,645.	5,448.	5,556.	6,107.
	84"	42"	28.4" - 43.9"	YKTB8442YESG ()	5,199.	5,775.	5,890.	6,473.



Telescope Y-base Table with Rectangular Shape Antenna Top, Standard Electric	60"	27"	28.1" - 43.7"	YKTS6027YESG ()	4,413.	4,854.	4,950.	5,445.
	60"	30"	28.1" - 43.7"	YKTS6030YESG ()	4,465.	4,912.	5,010.	5,511.
	66"	27"	28.1" - 43.7"	YKTS6627YESG ()	4,465.	4,912.	5,010.	5,511.
	66"	30"	28.1" - 43.7"	YKTS6630YESG ()	4,518.	4,970.	5,069.	5,575.
	72"	27"	28.1" - 43.7"	YKTS7227YESG ()	4,492.	4,941.	5,040.	5,544.
	72"	30"	28.1" - 43.7"	YKTS7230YESG ()	4,545.	4,999.	5,098.	5,609.
	72"	36"	28.1" - 43.7"	YKTS7236YESG ()	4,597.	5,037.	5,136.	5,644.
	84"	42"	28.4" - 43.9"	YKTS8442YESG ()	5,146.	5,578.	5,689.	6,252.



Telescope Y-base Table with Rectangular Shape Antenna Top, Standard Electric, with Rails	72"	27"	28.1" - 43.7"	YKTS7227YESRG ()	4,751.	5,225.	5,330.	5,862.
	72"	30"	28.1" - 43.7"	YKTS7230YESRG ()	4,803.	5,283.	5,389.	5,928.



Ordering Information

Antenna Telescope Y-base Tables

1. Pattern Number
2. Grommet / no grommet
3. Top surface type
4. Control switch
5. Top finish
6. Edge finish
7. Base Paint finish
8. Grommet Paint Finish

Order Code

Antenna Telescope Y-Base Tables

Example: **YKTT7236YESNL, S,118,118,118T**

YKT	Antenna Table Assembly
T	Shape
7236	Size
YES	Base Type
N	No grommet
L	Laminate
S	Standard Up/Down Switch
118	Bright White Top
118	Bright White Top
118T	Bright White Textured Paint

Included With

Antenna Telescope Y-base Tables

Antenna Top
Columns
Base spokes
Levelers
Attachment Hardware

Antenna Telescope Y-base Tables

(G) Grommet
(N) No grommet
For no grommets, deduct \$50 for track shape, bullet shape and rectangle tops

Top Finish Options:

(L) = Laminate
(V) = Veneer
Top may be specified in any Knoll core laminate or veneer.

Control Switch Option:

(S) = Standard up/down control switch
(D) = Digital Display with programmable setting
Add \$326 list for the digital display selection.
(TR) = Toggle Switch, Red.
(TG) = Toggle Switch, Grey. Add \$100 list for "Toggle Switch option".

Antenna Telescope Y-Base Tables

Standard Electric

description	w	d	h	pattern no.	L	V1/Mixed (V/M)	V2 (V)	V3 (V)
Telescope Y-base Table with Radiused Rectangular Shape Antenna Top, Standard Electric	60"	27"	28.1" - 43.7"	YKTRC6027YESNL	\$4,581.	\$5,044.	\$5,145.	\$5,665.
	60"	27"	28.1" - 43.7"	YKTRC6027YESGL	4,634.	5,097.	5,198.	5,717.
	60"	30"	28.1" - 43.7"	YKTRC6030YESNL	4,636.	5,105.	5,208.	5,734.
	66"	27"	28.1" - 43.7"	YKTRC6627YESNL	4,636.	5,105.	5,208.	5,734.
	72"	27"	28.1" - 43.7"	YKTRC7227YESNL	4,664.	5,136.	5,240.	5,769.
	60"	30"	28.1" - 43.7"	YKTRC6030YESGL	4,688.	5,158.	5,261.	5,787.
	66"	27"	28.1" - 43.7"	YKTRC6627YESGL	4,688.	5,158.	5,261.	5,787.
	66"	30"	28.1" - 43.7"	YKTRC6630YESNL	4,691.	5,166.	5,270.	5,801.
	72"	27"	28.1" - 43.7"	YKTRC7227YESGL	4,714.	5,188.	5,292.	5,821.
	72"	30"	28.1" - 43.7"	YKTRC7230YESNL	4,720.	5,196.	5,300.	5,837.
	66"	30"	28.1" - 43.7"	YKTRC6630YESGL	4,744.	5,219.	5,322.	5,854.
	72"	30"	28.1" - 43.7"	YKTRC7230YESGL	4,772.	5,249.	5,353.	5,889.
	72"	36"	28.1" - 43.7"	YKTRC7236YESNL	4,774.	5,236.	5,340.	5,874.
	72"	36"	28.1" - 43.7"	YKTRC7236YESGL	4,827.	5,289.	5,393.	5,926.
	84"	42"	28.1" - 43.9"	YKTRC8442YESNL	5,351.	5,804.	5,921.	6,512.
	84"	42"	28.1" - 43.9"	YKTRC8442YESGL	5,403.	5,857.	5,973.	6,565.
Telescope Y-base Table with Radiused Rectangular Shape Antenna Top, Standard Electric, with rails	72"	27"	28.1" - 43.7"	YKTRC7227YESRNL	4,936.	5,434.	5,544.	6,103.
	72"	27"	28.1" - 43.7"	YKTRC7227YESRGL	4,989.	5,486.	5,597.	6,155.
	72"	30"	28.1" - 43.7"	YKTRC7230YESRNL	4,991.	5,495.	5,606.	6,172.
	72"	30"	28.1" - 43.7"	YKTRC7230YESRGL	5,043.	5,547.	5,658.	6,224.



Antenna Telescope

Ordering Information	Order Code	Included With
Antenna Telescope Y-base Tables	Antenna Telescope Y-Base Tables	Antenna Telescope Y-base Tables
<ol style="list-style-type: none"> 1. Pattern Number 2. Grommet / no grommet 3. Top surface type 4. Control switch 5. Top finish 6. Edge finish 7. Base Paint finish 8. Grommet Paint Finish 	<p><i>Example:</i> YKTRC6630YESNL, S,118,118,118T</p> <hr/> <p>YKT Antenna Table Assembly</p> <hr/> <p>RC Rectangular Radiused Top</p> <hr/> <p>60 Width</p> <hr/> <p>30 Depth</p> <hr/> <p>YES Base Type</p> <hr/> <p>N No grommet</p> <hr/> <p>L Laminate</p> <hr/> <p>S Standard Up/Down Switch</p> <hr/> <p>118 Bright White Top</p> <hr/> <p>118 Bright White Top</p>	<p>Antenna Top Columns Base spokes Levelers Attachment Hardware</p> <p>(G) Grommet (N) No grommet For no grommets, deduct \$50</p> <p>Top Finish Options: (L) = Laminate (V) = Veneer Top may be specified in any Knoll core laminate or veneer.</p> <p>Control Switch Option: (S) = Standard up/down control switch (D) = Digital Display with programmable setting Add \$326 for the digital display selection. (TR) = Toggle Switch, Red. (TG) = Toggle Switch, Grey. Add \$100 list for "Toggle Switch option".</p>

Antenna Telescope End Panels

Planning Guidelines and Specifications

End panels are available to enclose the end of Telescope Dual Bases from the floor to 28 ½", 42" or 49" high. End panels are added outside the standard Telescope base structure, which adds 4 ¼" to the overall width of the Telescope Dual Table if added on either end.

End panels include two levelling glides and two connector brackets to the Telescope Dual Base crossbar, defining a 1" space between the end panel and the edge of the height-adjustable worksurface, or ½" space between the end panel and center beam mounted screens. An end panel uses two positioning brackets to secure the bottom of the panel around the lower column of each workstation.

End panels are oversized 2" in depth from the overall footprint of back-to-back Telescope tables so that all desk mounted screen brackets are within the footprint of the workstation. End panel depths correspond to back-to-back tables using 24", 27" and 30" deep tops. Handed end panels correspond to back-to-back tables with a combination of 24" and 30" deep tops. Overall depths of end panels equal 56", 62" and 68".

End panels require the adjacent Telescope Dual Base to be specified as an intermediate base if there is a cluster of four or more integrated stations, or a back-to-back station with end panels on either side. If specifying only one back-to-back station with end panel on one side only, the Telescope Dual Base must be specified as an end base.

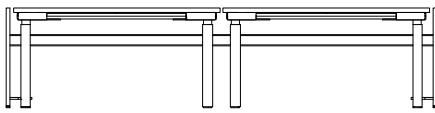
End Panels must be specified for the base height range—either Standard or Extended Electric. Telescope Standard Electric and Fixed Height bases utilize the same end panels.

CONSTRUCTION

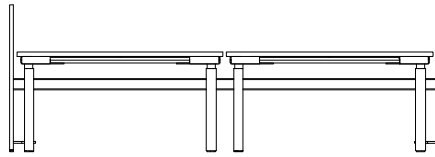
End panels are 1 ⅛" thick veneer or laminate and include cast aluminum brackets.

SPECIFICATION OPTIONS

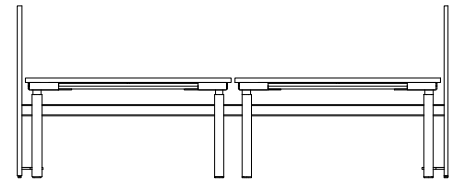
Specify end panels in any Knoll Core solid laminate, patterned and woodgrain laminate or veneer. Also, specify brackets in any Knoll Core, Dark Red or Slate Blue paint finish.



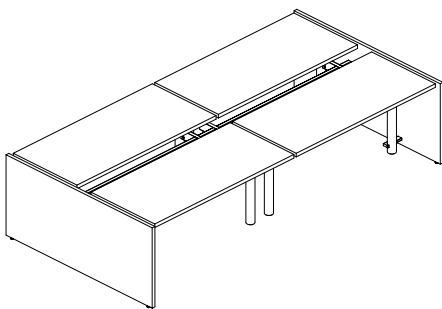
28½" High Telescope End Panels Elevation



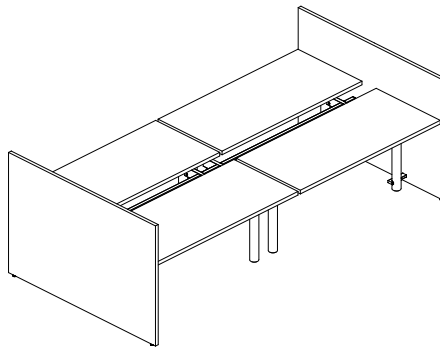
42" High Telescope End Panels Elevation



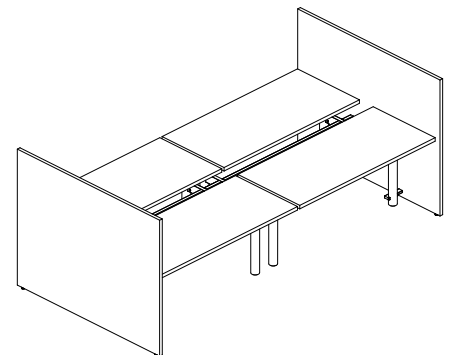
49" High Telescope End Panels Elevation



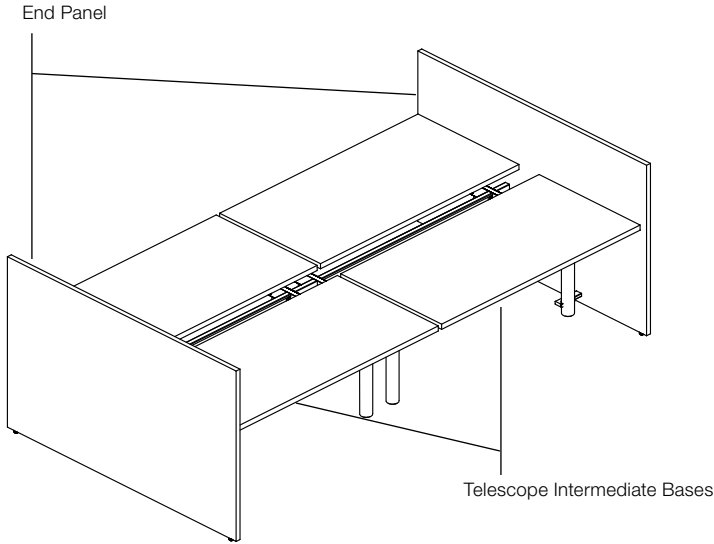
Telescope with 28½" High End Panels



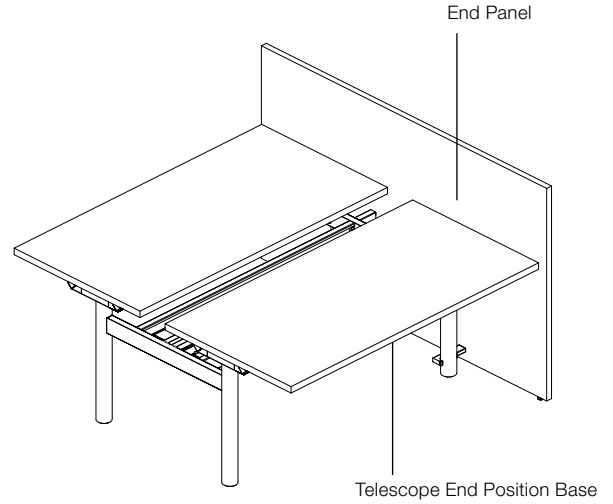
Telescope with 42" High End Panels



Telescope with 49" High End Panels



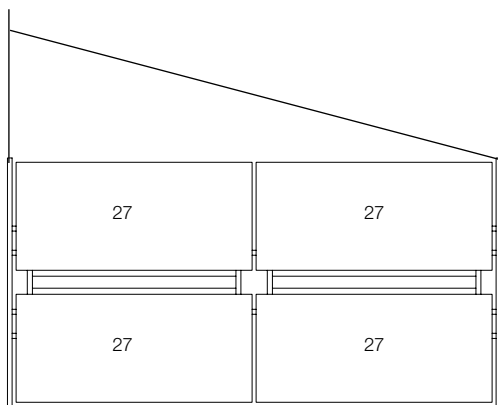
**Telescope Dual Table
with End Panels and Intermediate Bases**



**Telescope Dual Table End Base
with End Panel on One Side**

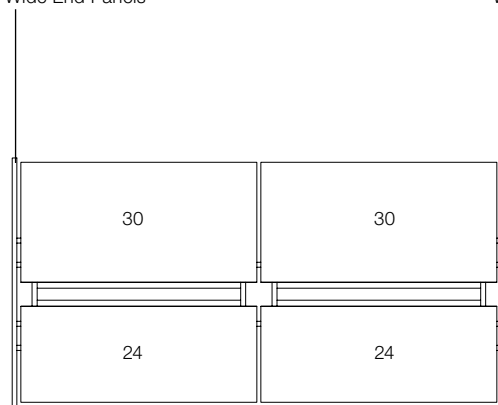
Antenna Telescope

Non-handed 62" Wide End Panels



**Plan View of Telescope Dual Tables
with 27" Deep Tops and End Panels**

Left Hand 62" Wide End Panels



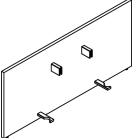
Right Hand 62" Wide End Panels

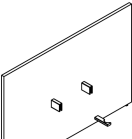
**Plan View of Telescope Dual Tables with back-to-back
30" and 24" Deep Tops and End Panels**

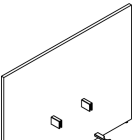
Antenna Telescope End Panels

For Dual Sided Standard Electric and Fixed Height Bases

Laminate or Veneer

description	type	w	d	h	pattern no.	Laminate (L)	V1 (V)	V2 (V)	V3 (V)
 Telescope End Panels for Dual Sided Standard Electric Bases, Desk Height	For 24"D Telescope Dual Sided Tables	56"	1 1/4"	28 1/2"	YEP2856ES()	\$539.	\$750.	\$860.	\$1,368.
	For 27"D Telescope Dual Sided Tables	62"	1 1/4"	28 1/2"	YEP2862ES()	560.	828.	944.	1,504.
	For 30"D Left Side, 24"D Right Side, Telescope Dual Sided Tables	62"	1 1/4"	28 1/2"	YEP2862ESL()	560.	828.	944.	1,504.
	For 30"D Right Side, 24"D Left Side, Telescope Dual Sided Table	62"	1 1/4"	28 1/2"	YEP2862ESR()	560.	828.	944.	1,504.
	For 30"D Telescope Dual Sided Table	68"	1 1/4"	28 1/2"	YEP2868ES()	586.	854.	978.	1,589.

 Telescope End Panels for Dual Sided Standard Electric Bases, 42"H	For 24"D Telescope Dual Sided Tables	56"	1 1/4"	42"	YEP4256ES()	791.	921.	1,060.	1,793.
	For 27"D Telescope Dual Sided Tables	62"	1 1/4"	42"	YEP4262ES()	844.	968.	1,116.	1,925.
	For 30"D Left Side, 24"D Right Side, Telescope Dual Sided Tables	62"	1 1/4"	42"	YEP4262ESL()	844.	968.	1,116.	1,925.
	For 30"D Right Side, 24"D Left Side, Telescope Dual Sided Tables	62"	1 1/4"	42"	YEP4262ESR()	844.	968.	1,116.	1,925.
	For 30"D Telescope Dual Sided Tables	68"	1 1/4"	42"	YEP4268ES()	924.	1,004.	1,162.	2,046.

 Telescope End Panels for Dual Sided Standard Electric Bases, 49"H	For 24"D Telescope Dual Sided Tables	56"	1 1/4"	49"	YEP4956ES()	898.	996.	1,147.	1,996.
	For 27"D Telescope Dual Sided Tables	62"	1 1/4"	49"	YEP4962ES()	951.	1,039.	1,201.	2,136.
	For 30"D Left Side, 24"D Right Side, Telescope Dual Sided Tables	62"	1 1/4"	49"	YEP4962ESL()	951.	1,039.	1,201.	2,136.
	For 30"D Right Side, 24"D Left Side, Telescope Dual Sided Tables	62"	1 1/4"	49"	YEP4962ESR()	951.	1,039.	1,201.	2,136.
	For 30"D Telescope Dual Sided Tables	68"	1 1/4"	49"	YEP4968ES()	1,030.	1,081.	1,254.	2,276.

Ordering Information

Telescope End Panels

1. Pattern Number
2. Surface Finish
3. Bracket Paint Finish

Order Code

Telescope End Panels

Example: **YEP4262ESL, 118, 118T**

YEP	Telescope End Panels
42	Height
62	Width
ES	Standard Electric Height Range
L	Left Hand
118	Laminate
118T	Bright White Paint

Included With

Telescope End Panels
Attachment Brackets
Hardware

Options

Telescope End Panels

(L) = Laminate
(V) = Veneer

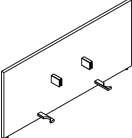
End panels specified in patterned or woodgrain laminate have vertical grain direction up to 60" wide and horizontal grain direction for end panels over 60" wide.

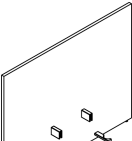
End panels specified in veneer have vertical grain direction for all sizes.

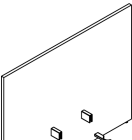
Antenna Telescope End Panels

For Dual Sided Extended Electric Bases

Laminate or Veneer

description	type	w	d	h	pattern no.	Laminate (L)	V1 (V)	V2 (V)	V3 (V)
 Telescope End Panels for Dual Sided Extended Electric Bases, Desk Height	For 24"D Telescope Dual Sided Tables	56"	1 1/4"	28 1/2"	YEP2856EX()	\$539.	\$750.	\$860.	\$1,368.
	For 27"D Telescope Dual Sided Tables	62"	1 1/4"	28 1/2"	YEP2862EX()	560.	828.	944.	1,504.
	For 30"D Left Side, 24"D Right Side, Telescope Dual Sided Tables	62"	1 1/4"	28 1/2"	YEP2862EXL()	560.	828.	944.	1,504.
	For 30"D Right Side, 24"D Left Side, Telescope Dual Sided Table	62"	1 1/4"	28 1/2"	YEP2862EXR()	560.	828.	944.	1,504.
	For 30"D Telescope Dual Sided Table	68"	1 1/4"	28 1/2"	YEP2868EX()	586.	854.	978.	1,589.

 Telescope End Panels for Dual Sided Extended Electric Bases, 42"H	For 24"D Telescope Dual Sided Tables	56"	1 1/4"	42"	YEP4256EX()	791.	921.	1,060.	1,793.
	For 27"D Telescope Dual Sided Tables	62"	1 1/4"	42"	YEP4262EX()	844.	968.	1,116.	1,925.
	For 30"D Left Side, 24"D Right Side, Telescope Dual Sided Tables	62"	1 1/4"	42"	YEP4262EXL()	844.	968.	1,116.	1,925.
	For 30"D Right Side, 24"D Left Side, Telescope Dual Sided Tables	62"	1 1/4"	42"	YEP4262EXR()	844.	968.	1,116.	1,925.
	For 30"D Telescope Dual Sided Tables	68"	1 1/4"	42"	YEP4268EX()	924.	1,004.	1,162.	2,046.

 Telescope End Panels for Dual Sided Extended Electric Bases, 49"H	For 24"D Telescope Dual Sided Tables	56"	1 1/4"	49"	YEP4956EX()	898.	996.	1,147.	1,996.
	For 27"D Telescope Dual Sided Tables	62"	1 1/4"	49"	YEP4962EX()	951.	1,039.	1,201.	2,136.
	For 30"D Left Side, 24"D Right Side, Telescope Dual Sided Tables	62"	1 1/4"	49"	YEP4962EXL()	951.	1,039.	1,201.	2,136.
	For 30"D Right Side, 24"D Left Side, Telescope Dual Sided Tables	62"	1 1/4"	49"	YEP4962EXR()	951.	1,039.	1,201.	2,136.
	For 30"D Telescope Dual Sided Tables	68"	1 1/4"	49"	YEP4968EX()	1,030.	1,081.	1,254.	2,276.

Ordering Information

Telescope End Panels

1. Pattern Number
2. Surface Finish
3. Bracket Paint Finish

Order Code

Telescope End Panels

Example: **YEP4262EXL, 118, 118T**

YEP	Telescope End Panels
42	Height
62	Width
EX	Extended Electric Height Range
L	Left Hand
118	Laminate
118T	Bright White Paint

Included With

Telescope End Panels

Attachment Brackets
Hardware

Options

Telescope End Panels

(L) = Laminate
(V) = Veneer

End panels specified in patterned or woodgrain laminate have vertical grain direction up to 60" wide and horizontal grain direction for end panels over 60" wide.

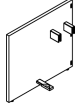
End panels specified in veneer have vertical grain direction for all sizes.

Antenna Telescope End Panels

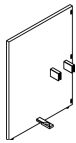
For Single Sided Standard Electric Bases

Laminate or Veneer

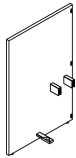
description	type	w	d	h	pattern no.	Laminate (L)	V1 (V)	V2 (V)	V3 (V)
Telescope End Panels for Single Sided Standard Electric Base, Left Hand, Desk Height	For use with 24"D Single Sided Tables	30 ⁵ / ₈ "	1 ¹ / ₄ "	28 ¹ / ₂ "	YEPTSSFES2824L()	\$259.	\$401.	\$462.	\$761.
	For use with 27"D Single Sided Tables	33 ⁵ / ₈ "	1 ¹ / ₄ "	28 ¹ / ₂ "	YEPTSSFES2827L()	275.	425.	489.	807.
	For use with 30"D Single Sided Tables	36 ⁵ / ₈ "	1 ¹ / ₄ "	28 ¹ / ₂ "	YEPTSSFES2830L()	290.	449.	517.	854.



Telescope End Panels for Single Sided Standard Electric Base, Left Hand, 42"H	For use with 24"D Single Sided Tables	30 ⁵ / ₈ "	1 ¹ / ₄ "	42"	YEPTSSFES4224L()	512.	615.	706.	1,166.
	For use with 27"D Single Sided Tables	33 ⁵ / ₈ "	1 ¹ / ₄ "	42"	YEPTSSFES4227L()	575.	691.	794.	1,310.
	For use with 30"D Single Sided Tables	36 ⁵ / ₈ "	1 ¹ / ₄ "	42"	YEPTSSFES4230L()	633.	760.	874.	1,441.



Telescope End Panels for Single Sided Standard Electric Base, Left Hand, 49"H	For use with 24"D Single Sided Tables	30 ⁵ / ₈ "	1 ¹ / ₄ "	49"	YEPTSSFES4924L()	676.	777.	893.	1,475.
	For use with 27"D Single Sided Tables	33 ⁵ / ₈ "	1 ¹ / ₄ "	49"	YEPTSSFES4927L()	760.	874.	1,005.	1,659.
	For use with 30"D Single Sided Tables	36 ⁵ / ₈ "	1 ¹ / ₄ "	49"	YEPTSSFES4930L()	844.	971.	1,117.	1,843.



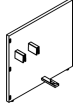
Ordering Information	Order Code	Included With	Options
Telescope End Panels for Single Sided Tables 1. Pattern Number 2. Surface Finish 3. Bracket Paint Finish	Telescope End Panels for Single Sided Tables <i>Example:</i> YEPTSSFES2830LL, 118, 118T <hr/> YEPT Telescope End Panels <hr/> SSFES Single Sided Standard Electric <hr/> 28 Height <hr/> 30 Width <hr/> L Left Hand <hr/> L Laminate <hr/> 118 Bright White Laminate <hr/> 118T Bright White Paint	Telescope End Panels for Single Sided Tables Attachment Brackets Hardware	Telescope End Panels for Single Sided Tables (L) = Laminate (V) = Veneer End panels specified in patterned or woodgrain laminate, or veneer have vertical grain direction for all sizes.

Antenna Telescope End Panels

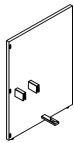
For Single Sided Standard Electric Bases

Laminate or Veneer

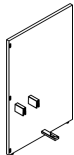
description	type	w	d	h	pattern no.	Laminate (L)	V1 (V)	V2 (V)	V3 (V)
Telescope End Panels for Single Sided Standard Electric Base, Right Hand, Desk Height	For use with 24"D Single Sided Tables	30 3/8"	1 1/4"	28 1/2"	YEPTSSFES2824R()	\$259.	\$401.	\$462.	\$761.
	For use with 27"D Single Sided Tables	33 3/8"	1 1/4"	28 1/2"	YEPTSSFES2827R()	275.	425.	489.	807.
	For use with 30"D Single Sided Tables	36 3/8"	1 1/4"	28 1/2"	YEPTSSFES2830R()	290.	449.	517.	854.



Telescope End Panels for Single Sided Standard Electric Base, Right Hand, 42"H	For use with 24"D Single Sided Tables	30 3/8"	1 1/4"	42"	YEPTSSFES4224R()	512.	615.	706.	1,166.
	For use with 27"D Single Sided Tables	33 3/8"	1 1/4"	42"	YEPTSSFES4227R()	575.	691.	794.	1,310.
	For use with 30"D Single Sided Tables	36 3/8"	1 1/4"	42"	YEPTSSFES4230R()	633.	760.	874.	1,441.



Telescope End Panels for Single Sided Standard Electric Base, Right Hand, 49"H	For use with 24"D Single Sided Tables	30 3/8"	1 1/4"	49"	YEPTSSFES4924R()	676.	777.	893.	1,475.
	For use with 27"D Single Sided Tables	33 3/8"	1 1/4"	49"	YEPTSSFES4927R()	760.	874.	1,005.	1,659.
	For use with 30"D Single Sided Tables	36 3/8"	1 1/4"	49"	YEPTSSFES4930R()	844.	971.	1,117.	1,843.



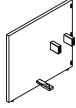
Ordering Information	Order Code	Included With	Options
Telescope End Panels for Single Sided Tables 1. Pattern Number 2. Surface Finish 3. Bracket Paint Finish	Telescope End Panels for Single Sided Tables <i>Example:</i> YEPTSSFES2830RL, 118, 118T <hr/> YEPT Telescope End Panels <hr/> SSFES Single Sided Standard Electric <hr/> 28 Height <hr/> 30 Width <hr/> R Right Hand <hr/> L Laminate <hr/> 118 Bright White Laminate <hr/> 118T Bright White Paint	Telescope End Panels for Single Sided Tables Attachment Brackets Hardware	Telescope End Panels for Single Sided Tables (L) = Laminate (V) = Veneer End panels specified in patterned or woodgrain laminate, or veneer have vertical grain direction for all sizes.

Antenna Telescope End Panels

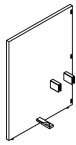
For Single Sided Extended Electric Bases

Laminate or Veneer

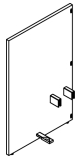
description	type	w	d	h	pattern no.	Laminate (L)	V1 (V)	V2 (V)	V3 (V)
Telescope End Panels for Single Sided Extended Electric Base, Left Hand, Desk Height	For use with 24"D Single Sided Tables	30 ⁵ / ₈ "	1 ¹ / ₄ "	28 ¹ / ₂ "	YEPTSSFEX2824L()	\$259.	\$401.	\$462.	\$761.
	For use with 27"D Single Sided Tables	33 ⁵ / ₈ "	1 ¹ / ₄ "	28 ¹ / ₂ "	YEPTSSFEX2827L()	275.	425.	489.	807.
	For use with 30"D Single Sided Tables	36 ⁵ / ₈ "	1 ¹ / ₄ "	28 ¹ / ₂ "	YEPTSSFEX2830L()	290.	449.	517.	854.



Telescope End Panels for Single Sided Extended Electric Base, Left Hand, 42"H	For use with 24"D Single Sided Tables	30 ⁵ / ₈ "	1 ¹ / ₄ "	42"	YEPTSSFEX4224L()	512.	615.	706.	1,166.
	For use with 27"D Single Sided Tables	33 ⁵ / ₈ "	1 ¹ / ₄ "	42"	YEPTSSFEX4227L()	575.	691.	794.	1,310.
	For use with 30"D Single Sided Tables	36 ⁵ / ₈ "	1 ¹ / ₄ "	42"	YEPTSSFEX4230L()	633.	760.	874.	1,441.



Telescope End Panels for Single Sided Extended Electric Base, Left Hand, 49"H	For use with 24"D Single Sided Tables	30 ⁵ / ₈ "	1 ¹ / ₄ "	49"	YEPTSSFEX4924L()	676.	777.	893.	1,475.
	For use with 27"D Single Sided Tables	33 ⁵ / ₈ "	1 ¹ / ₄ "	49"	YEPTSSFEX4927L()	760.	874.	1,005.	1,659.
	For use with 30"D Single Sided Tables	36 ⁵ / ₈ "	1 ¹ / ₄ "	49"	YEPTSSFEX4930L()	844.	971.	1,117.	1,843.



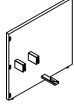
Ordering Information	Order Code	Included With	Options
Telescope End Panels for Single Sided Tables 1. Pattern Number 2. Surface Finish 3. Bracket Paint Finish	Telescope End Panels for Single Sided Tables <i>Example:</i> YEPTSSFES2830LL, 118, 118T YEPT Telescope End Panels SSFES Single Sided Extended Electric 28 Height 30 Width L Left Hand L Laminate 118 Bright White Laminate 118T Bright White Paint	Telescope End Panels for Single Sided Tables Attachment Brackets Hardware	Telescope End Panels for Single Sided Tables (L) = Laminate (V) = Veneer End panels specified in patterned or woodgrain laminate, or veneer have vertical grain direction for all sizes.

Antenna Telescope End Panels

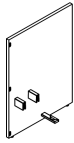
For Single Sided Extended Electric Bases

Laminate or Veneer

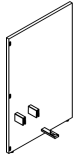
description	type	w	d	h	pattern no.	Laminate (L)	V1 (V)	V2 (V)	V3 (V)
Telescope End Panels for Single Sided Extended Electric Base, Right Hand, Desk Height	For use with 24"D Single Sided Tables	30 ⁵ / ₈ "	1 ¹ / ₄ "	28 ¹ / ₂ "	YEPTSSFEX2824R()	\$259.	\$401.	\$462.	\$761.
	For use with 27"D Single Sided Tables	33 ⁵ / ₈ "	1 ¹ / ₄ "	28 ¹ / ₂ "	YEPTSSFEX2827R()	275.	425.	489.	807.
	For use with 30"D Single Sided Tables	36 ⁵ / ₈ "	1 ¹ / ₄ "	28 ¹ / ₂ "	YEPTSSFEX2830R()	290.	449.	517.	854.



Telescope End Panels for Single Sided Extended Electric Base, Right Hand, 42"H	For use with 24"D Single Sided Tables	30 ⁵ / ₈ "	1 ¹ / ₄ "	42"	YEPTSSFEX4224R()	512.	615.	706.	1,166.
	For use with 27"D Single Sided Tables	33 ⁵ / ₈ "	1 ¹ / ₄ "	42"	YEPTSSFEX4227R()	575.	691.	794.	1,310.
	For use with 30"D Single Sided Tables	36 ⁵ / ₈ "	1 ¹ / ₄ "	42"	YEPTSSFEX4230R()	633.	760.	874.	1,441.



Telescope End Panels for Single Sided Extended Electric Base, Right Hand, 49"H	For use with 24"D Single Sided Tables	30 ⁵ / ₈ "	1 ¹ / ₄ "	49"	YEPTSSFEX4924R()	676.	777.	893.	1,475.
	For use with 27"D Single Sided Tables	33 ⁵ / ₈ "	1 ¹ / ₄ "	49"	YEPTSSFEX4927R()	760.	874.	1,005.	1,659.
	For use with 30"D Single Sided Tables	36 ⁵ / ₈ "	1 ¹ / ₄ "	49"	YEPTSSFEX4930R()	844.	971.	1,117.	1,843.



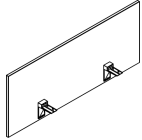
Ordering Information	Order Code	Included With	Options
Telescope End Panels for Single Sided Tables 1. Pattern Number 2. Surface Finish 3. Bracket Paint Finish	Telescope End Panels for Single Sided Tables <i>Example:</i> YEPTSSFES2830RL, 118, 118T <hr/> YEPT Telescope End Panels <hr/> SSFES Single Sided Extended Electric <hr/> 28 Height <hr/> 30 Width <hr/> R Right Hand <hr/> L Laminate <hr/> 118 Bright White Laminate <hr/> 118T Bright White Paint	Telescope End Panels for Single Sided Tables Attachment Brackets Hardware	Telescope End Panels for Single Sided Tables (L) = Laminate (V) = Veneer End panels specified in patterned or woodgrain laminate, or veneer have vertical grain direction for all sizes.

Desk Screens for Telescope Dual Tables

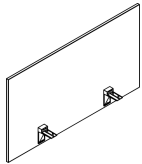
Fabric

For 42" and 49" High Horizon

description	w	d	h	pattern no.	10	20	30	40	45
Fabric Screens with Partial Modesty For Telescope Dual Tables, 42"H Horizon	47"	1 1/4"	20"	YPSB2047F	\$848.	\$891.	\$933.	\$976.	\$1,017.
	53"	1 1/4"	20"	YPSB2053F	911.	957.	1,000.	1,048.	1,093.
	59"	1 1/4"	20"	YPSB2059F	967.	1,015.	1,064.	1,113.	1,160.
	65"	1 1/4"	20"	YPSB2065FRR	1,011.	1,062.	1,113.	1,163.	1,212.
	71"	1 1/4"	20"	YPSB2071FRR	1,042.	1,094.	1,147.	1,197.	1,251.
	77"	1 1/4"	20"	YPSB2077FRR	1,124.	1,181.	1,237.	1,293.	1,349.
	83"	1 1/4"	20"	YPSB2083FRR	1,215.	1,275.	1,336.	1,398.	1,457.



Fabric Screens with Partial Modesty For Telescope Dual Tables, 49"H Horizon	47"	1 1/4"	26"	YPSB2647F	991.	1,042.	1,090.	1,140.	1,191.
	53"	1 1/4"	26"	YPSB2653F	1,061.	1,115.	1,166.	1,219.	1,274.
	59"	1 1/4"	26"	YPSB2659F	1,107.	1,159.	1,215.	1,271.	1,326.
	65"	1 1/4"	26"	YPSB2665FRR	1,154.	1,211.	1,271.	1,328.	1,384.
	71"	1 1/4"	26"	YPSB2671FRR	1,204.	1,263.	1,326.	1,384.	1,446.
	77"	1 1/4"	26"	YPSB2677FRR	1,301.	1,367.	1,430.	1,496.	1,561.
	83"	1 1/4"	26"	YPSB2683FRR	1,405.	1,476.	1,546.	1,616.	1,687.



Ordering Information

Desk Screens

1. Pattern Number
2. Inside Fabric Finish
3. Outside Fabric Finish
4. Frame Paint Finish
5. Bracket Paint Finish

Order Code

Desk Screens

Example: **YPSB2047F, W1077, 118T**

YPSB	Desk Screen
20	Height
47	Width
F	Fabric
W1077	Element
W1077	Element
118T	Bright White Paint
118T	Bright White Paint

Included With

Desk Screens

Brackets
Hardware

Options

Desk Screens

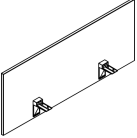
The price of screens specified with a combination of fabrics is the higher of the two fabric grades.

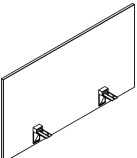
(RR) Fabric is applied railroaded.

Desk Screens for Telescope Dual Tables

Laminate, Markerboard or Veneer

For 42" and 49" High Horizon

description	w	d	h	pattern no.	Laminate (L)	Laminate (LM)	V1 (V)	V2 (V)	V3 (V)
Screens with Partial Modesty For Telescope Dual Tables, 42"H Horizon	47"	3/4"	20"	YPSB2047()	\$419.	\$647.	\$647.	\$745.	\$965.
	53"	3/4"	20"	YPSB2053()	427.	670.	670.	771.	1,000.
	59"	3/4"	20"	YPSB2059()	433.	724.	724.	833.	1,084.
	65"	3/4"	20"	YPSB2065()	440.	757.	757.	870.	1,130.
	71"	3/4"	20"	YPSB2071()	446.	782.	782.	899.	1,166.
	77"	3/4"	20"	YPSB2077()	492.	821.	821.	943.	1,226.
	83"	3/4"	20"	YPSB2083()	541.	861.	861.	990.	1,288.

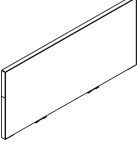
Screens with Partial Modesty For Telescope Dual Tables, 49"H Horizon	47"	3/4"	26"	YPSB2647()	419.	752.	752.	864.	1,123.
	53"	3/4"	26"	YPSB2653()	427.	783.	783.	899.	1,168.
	59"	3/4"	26"	YPSB2659()	433.	870.	870.	1,000.	1,300.
	65"	3/4"	26"	YPSB2665()	440.	902.	902.	1,037.	1,348.
	71"	3/4"	26"	YPSB2671()	564.	933.	933.	1,073.	1,395.
	77"	3/4"	26"	YPSB2677()	620.	980.	980.	1,126.	1,464.
	83"	3/4"	26"	YPSB2683()	682.	1,029.	1,029.	1,184.	1,537.

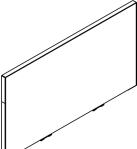
Antenna Telescope

Ordering Information	Order Code	Included With	Options
Desk Screens	Desk Screens	Desk Screens	Desk Screens
1. Pattern Number	<i>Example:</i> YPSB2047V, 006B,	Brackets	Finish Options:
2. Inside Fabric Finish	118T	Hardware	(L) = Laminate
3. Outside Fabric Finish	YPSB Desk Screen		(LM) = Markerboard
4. Frame Paint Finish	20 Height		(V) = Veneer
5. Bracket Paint Finish	47 Width		
	V Veneer		
	006B Maple		
	118T Bright White Paint		

Center Screens for Telescope Dual Tables

Fabric For 42" High Horizon

description	w	d	h	pattern no.	10	20	30	40	45
 Fabric Screens For Telescope Dual Table Beam, Standard Height Range, 42" High Horizon	48"	1 1/4"	22"	YPSCT2248F	\$986.	\$1,036.	\$1,084.	\$1,134.	\$1,184.
	54"	1 1/4"	22"	YPSCT2254F	1,004.	1,054.	1,103.	1,153.	1,203.
	60"	1 1/4"	22"	YPSCT2260F	1,025.	1,076.	1,128.	1,180.	1,230.
	66"	1 1/4"	22"	YPSCT2266FRR	1,232.	1,294.	1,354.	1,416.	1,479.
	72"	1 1/4"	22"	YPSCT2272FRR	1,282.	1,347.	1,411.	1,476.	1,539.
	78"	1 1/4"	22"	YPSCT2278FRR	1,332.	1,399.	1,465.	1,532.	1,598.
	84"	1 1/4"	22"	YPSCT2284FRR	1,395.	1,464.	1,534.	1,605.	1,674.

 Fabric Screens For Telescope Dual Table Beam, Extended Height Range, 42" High Horizon	48"	1 1/4"	26"	YPSCT2648F	1,044.	1,096.	1,148.	1,200.	1,253.
	54"	1 1/4"	26"	YPSCT2654F	1,061.	1,115.	1,168.	1,221.	1,274.
	60"	1 1/4"	26"	YPSCT2660F	1,090.	1,145.	1,199.	1,254.	1,308.
	66"	1 1/4"	26"	YPSCT2666FRR	1,243.	1,305.	1,367.	1,428.	1,491.
	72"	1 1/4"	26"	YPSCT2672FRR	1,325.	1,390.	1,457.	1,524.	1,590.
	78"	1 1/4"	26"	YPSCT2678FRR	1,387.	1,457.	1,527.	1,596.	1,666.
	84"	1 1/4"	26"	YPSCT2684FRR	1,478.	1,552.	1,626.	1,699.	1,773.

Ordering Information

Center Screens

1. Pattern Number
2. Inside Fabric Finish
3. Outside Fabric Finish
4. Frame Paint Finish

Order Code

Center Screens

Example: **YPSCT2248F, W1077, W1077, 118T**

YPSCT	Telescope Center Screen
22	Height
48	Width
F	Fabric
W1077	Element
W1077	Element
118T	Bright White Paint
118T	Bright White Paint

Included With

Center Screens

Brackets
Hardware

Options

Center Screens

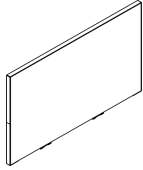
The price of screens specified with a combination of fabrics is the higher of the two fabric grades.

(RR) Fabric is applied railroaded

Fabric

For 49" High Horizon

description	w	d	h	pattern no.	10	20	30	40	45
Fabric Screens For Telescope Dual Table Beam, Standard Height Range, 49" High Horizon	48"	1 1/4"	29"	YPSCT2948F	\$1,051.	\$1,104.	\$1,156.	\$1,208.	\$1,263.
	54"	1 1/4"	29"	YPSCT2954F	1,098.	1,152.	1,207.	1,263.	1,318.
	60"	1 1/4"	29"	YPSCT2960F	1,103.	1,159.	1,215.	1,269.	1,325.
	66"	1 1/4"	29"	YPSCT2966FRR	1,303.	1,368.	1,433.	1,498.	1,563.
	72"	1 1/4"	29"	YPSCT2972FRR	1,332.	1,399.	1,465.	1,532.	1,598.
	78"	1 1/4"	29"	YPSCT2978FRR	1,456.	1,529.	1,602.	1,674.	1,747.
	84"	1 1/4"	29"	YPSCT2984FRR	1,494.	1,569.	1,644.	1,718.	1,795.



Ordering Information

Center Screens

1. Pattern Number
2. Inside Fabric Finish
3. Outside Fabric Finish
4. Frame Paint Finish

Order Code

Center Screens

Example: **YPSCT2248F, W1077, W1077, 118T**

YPSCT	Telescope Center Screen
22	Height
48	Width
F	Fabric
W1077	Element
W1077	Element
118T	Bright White Paint
118T	Bright White Paint

Included With

Desk Screens

Brackets
Hardware

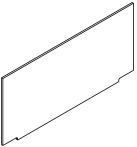
Options

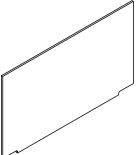
Center Screens

The price of screens specified with a combination of fabrics is the higher of the two fabric grades.

(RR) Fabric is applied railroaded

Center Screens for Telescope Dual Tables
Laminate, Markerboard, Veneer or Glass
 For 42" High Horizon

description	w	d	h	pattern no.	Lam. (L)	Markerboard (LM)	V1 (V)	V2 (V)	V3 (V)	Clear Glass (GTEMP)	Powder Glass (GGL13)	Grey Tinted Glass (GGL35)
Screens For Telescope Dual Table Beam, Standard Height Range, 42" High Horizon 	48"	1/2"	22"	YPSCT2248()	\$489.	\$806.	\$939.	\$1,221.	\$1,710.	\$997.	\$1,435.	\$1,837.
	54"	1/2"	22"	YPSCT2254()	505.	834.	961.	1,249.	1,748.	1,076.	1,572.	2,017.
	60"	1/2"	22"	YPSCT2260()	546.	901.	997.	1,297.	1,816.	1,150.	1,699.	2,217.
	66"	1/2"	22"	YPSCT2266()	563.	928.	1,024.	1,331.	1,863.	1,229.	1,837.	2,375.
	72"	1/2"	22"	YPSCT2272()	580.	959.	1,045.	1,358.	1,902.	1,309.	1,969.	2,586.
	78"	1/2"	22"	YPSCT2278()	595.	983.	1,082.	1,407.	1,970.	1,388.	2,101.	2,729.
	84"	1/2"	22"	YPSCT2284()	600.	989.	1,087.	1,413.	1,979.	1,467.	2,238.	2,908.

Screens For Telescope Dual Table Beam, Extended Height Range, 42" High Horizon 	48"	1/2"	26"	YPSCT2648()	504.	833.	982.	1,276.	1,787.	1,087.	1,600.	2,063.
	54"	1/2"	26"	YPSCT2654()	522.	862.	1,008.	1,311.	1,835.	1,172.	1,752.	2,269.
	60"	1/2"	26"	YPSCT2660()	565.	932.	1,035.	1,345.	1,883.	1,262.	1,905.	2,475.
	66"	1/2"	26"	YPSCT2666()	583.	963.	1,076.	1,400.	1,959.	1,351.	2,058.	2,681.
	72"	1/2"	26"	YPSCT2672()	602.	993.	1,103.	1,434.	2,008.	1,440.	2,217.	2,892.
	78"	1/2"	26"	YPSCT2678()	621.	1,024.	1,145.	1,489.	2,085.	1,531.	2,365.	3,098.
	84"	1/2"	26"	YPSCT2684()	639.	1,054.	1,172.	1,524.	2,132.	1,615.	2,518.	3,299.

Order Information

Center Screens

1. Pattern Number
2. Surface Finish
3. Bracket Paint Finish

Order Code

Center Screens

Example: **YPSCT2248L, 118 118T**
YPSCT Telescope Center Screen
22 Height
48 Width
L Laminate
118 Bright White
118T Bright White Paint

Included With

Center Screens

Brackets
Hardware

Options

**Center Screens
Finish Options**

(L) = Laminate
 (LM) = Markerboard
 (V) = Veneer
 (GTEMP) = Clear Glass
 (GGL13) = Powder Glass
 (GGL35) = Grey Tinted Glass

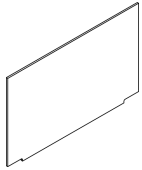
All Telescope center screens will have grain direction running horizontally.

Center Screens for Telescope Dual Tables

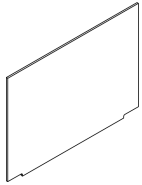
Laminate, Markerboard, Veneer or Glass

For 49" High Horizon

description	w	d	h	pattern no.	Lam. (L)	Markerboard (LM)	V1 (V)	V2 (V)	V3 (V)	Clear Glass (GTEMP)	Powder Glass (GGL13)	Grey Tinted Glass (GGL35)
Screens For Telescope Dual Table Beam, Standard Height Range, 49" High Horizon	48"	1/2"	29"	YPSCT2948()	\$512.	\$844.	\$992.	\$1,290.	\$1,806.	\$1,129.	\$1,684.	\$2,175.
	54"	1/2"	29"	YPSCT2954()	530.	874.	1,024.	1,331.	1,863.	1,224.	1,847.	2,396.
	60"	1/2"	29"	YPSCT2960()	573.	945.	1,050.	1,366.	1,912.	1,315.	2,006.	2,612.
	66"	1/2"	29"	YPSCT2966()	592.	978.	1,093.	1,421.	1,988.	1,409.	2,169.	2,834.
	72"	1/2"	29"	YPSCT2972()	612.	1,008.	1,124.	1,462.	2,046.	1,504.	2,333.	3,050.
	78"	1/2"	29"	YPSCT2978()	630.	1,040.	1,167.	1,517.	2,123.	1,594.	2,496.	3,273.
	84"	1/2"	29"	YPSCT2984()	649.	1,071.	1,193.	1,551.	2,172.	1,689.	2,660.	3,494.



Screens For Telescope Dual Table Beam, Extended Height Range, 49" High Horizon	48"	1/2"	33"	YPSCT3348()	525.	867.	1,035.	1,345.	1,883.	1,241.	1,890.	2,460.
	54"	1/2"	33"	YPSCT3354()	547.	903.	1,076.	1,400.	1,959.	1,346.	2,080.	2,719.
	60"	1/2"	33"	YPSCT3360()	592.	978.	1,109.	1,440.	2,018.	1,452.	2,264.	2,971.
	66"	1/2"	33"	YPSCT3366()	615.	1,013.	1,155.	1,503.	2,104.	1,557.	2,449.	3,220.
	72"	1/2"	33"	YPSCT3372()	634.	1,047.	1,188.	1,544.	2,162.	1,663.	2,640.	3,473.
	78"	1/2"	33"	YPSCT3378()	655.	1,082.	1,236.	1,606.	2,247.	1,768.	2,824.	3,721.
	84"	1/2"	33"	YPSCT3384()	676.	1,115.	1,267.	1,646.	2,306.	1,874.	3,009.	3,980.



Antenna Telescope

Order Information

Center Screens

1. Pattern Number
2. Surface Finish
3. Bracket Paint Finish

Order Code

Center Screens

Example: **YPSCT2248L, 118 118T**

YPSCT	Telescope Center Screen
22	Height
48	Width
L	Laminate
118	Bright White
118T	Bright White Paint

Included With

Center Screens

Brackets
Hardware

Options

Center Screens Finish Options

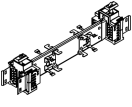
(L) = Laminate
(LM) = Markerboard
(V) = Veneer
(GTEMP) = Clear Glass
(GGL13) = Powder Glass
(GGL35) = Grey Tinted Glass

All Telescope center screens will have grain direction running horizontally.

Telescope Power and Cable Management

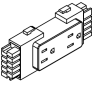
Electrical Components for Telescope Dual Tables

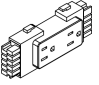
2 + 2, 3 + 3 and 4-4-2 Electrical Systems

description	type	w	d	h	pattern no.	list
 Power Harnesses	2+2, (2) Duplex Outlets per Side	12"	2"	2"	YRPHE12	\$204.
	2+2, (4) Duplex Outlets per Side	24"	2"	2"	YRPHE24	370.
	3+3, (2) Duplex Outlets per Side	12"	2"	2"	YRPHT12	231.
	3+3, (4) Duplex Outlets per Side	24"	2"	2"	YRPHT24	444.
	4-4-2, (2) Duplex Outlets per Side	12"	2"	2"	YRPHX12	242.
	4-4-2, (4) Duplex Outlets per Side	24"	2"	2"	YRPHX24	466.

Communications Mounting Box	Below Desk or Big Table				YR1CMB	46.
-----------------------------	-------------------------	--	--	--	---------------	-----



 Duplex Receptacles	Circuit A, black	1 1/2"	1"	4 1/2"	YR1DA	47.
	Circuit B, black	1 1/2"	1"	4 1/2"	YR1DB	47.
	Circuit C, black	1 1/2"	1"	4 1/2"	YR1DC	47.
	Circuit X, black	1 1/2"	1"	4 1/2"	YR1DX	47.
	Circuit X, black with orange triangle	1 1/2"	1"	4 1/2"	YR1DXT	47.
	Circuit X, orange with black triangle	1 1/2"	1"	4 1/2"	YR1DXO	47.
	Circuit Y, black	1 1/2"	1"	4 1/2"	YR1DY	47.
	Circuit Y, black with orange triangle	1 1/2"	1"	4 1/2"	YR1DYT	47.
	Circuit Y, orange with black triangle	1 1/2"	1"	4 1/2"	YR1DYO	47.
	Circuit Z, black	1 1/2"	1"	4 1/2"	YR1DZ	47.
	Circuit Z, black with orange triangle	1 1/2"	1"	4 1/2"	YR1DZT	47.
	Circuit Z, orange with black triangle	1 1/2"	1"	4 1/2"	YR1DZO	47.

 Duplex Receptacles for 4-4-2	Circuit 1, black	1 1/2"	1"	4 1/2"	YR1D1	49.
	Circuit 1, black with controlled symbol	1 1/2"	1"	4 1/2"	YR1D1C	49.
	Circuit 2, black	1 1/2"	1"	4 1/2"	YR1D2	49.
	Circuit 2, black with controlled symbol	1 1/2"	1"	4 1/2"	YR1D2C	49.
	Circuit 3, black	1 1/2"	1"	4 1/2"	YR1D3	49.
	Circuit 3, black with controlled symbol	1 1/2"	1"	4 1/2"	YR1D3C	49.
	Circuit 3, orange with black triangle	1 1/2"	1"	4 1/2"	YR1D3O	49.
	Circuit 4, black	1 1/2"	1"	4 1/2"	YR1D4	49.
	Circuit 4, black with controlled symbol	1 1/2"	1"	4 1/2"	YR1D4C	49.
	Circuit 4, orange with black triangle	1 1/2"	1"	4 1/2"	YRX1D4O	49.

Ordering Information

Electrical Components

1. Pattern Number

Mounting Brackets

1. Pattern Number

2. Paint Finish

Raceway Covers/End Caps

1. Pattern Number

2. Paint Finish

Communication Mounting Box

1. Pattern Number

2. Paint Finish

Order Code

Electrical Components

Example: **YRPHT12**

YRPHT Power Harness

12 Width

Raceway Covers

Example: **YRC18D, 118T**

YRC Raceway Covers

18 Width

D Outlets Both Sides

118T Bright White Paint

Included With

Power Harness

Center Beam Attachment

Mounting Brackets

Attachment Hardware

Communication Mounting Box


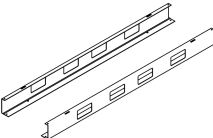
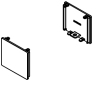
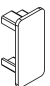
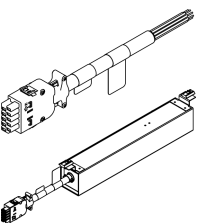
Attachment Hardware

Electrical Components

Telescope Power and Cable Management

Electrical Components for Telescope Dual Tables

2 + 2, 3 + 3 and 4-4-2 Electrical Systems

description	type	w	d	h	pattern no.	list
Outlet Fillers 	Package of 10	1 1/4"	1/4"	2 1/2"	YROF	\$41.
Raceway Covers (pair) 	For 12" wide power harness, outlets both sides	18"	3"	3"	YR1C18D	111.
	For 12" wide power harness, outlets one side	18"	3"	3"	YR1C18S	111.
	For 24" wide power harness, outlets both sides	30"	3"	3"	YR1C30D	130.
	For 24" wide power harness, outlets one side	30"	3"	3"	YR1C30S	130.
(shown 30")						
Raceway End Cap 	Package of 2	3/8"	3"	3"	YRCE	19.
Covers for Exposed End of Power Harness 	Package of 10	1"	1"	2"	YR1CP	208.
Infeeds 	2+2 Hardwire Infeed for New York City	85"	2 1/8"	2 3/8"	YR1EPNY	495.
	2+2 Modular Base Infeed	85"	2 1/8"	2 3/8"	YR1EDPI	225.
	3+3 Hardwire Infeed for New York City	85"	2 1/8"	2 3/8"	YR1TPNY	521.
	3+3 Modular Base Infeed	85"	2 1/8"	2 3/8"	YR1TDPI	261.
	4-4-2 Hardwire Infeed for New York City	85"	2 1/8"	2 3/8"	YR1XPNY	548.
	4-4-2 Modular Base Infeed	85"	2 1/8"	2 3/8"	YR1XDPI	272.

Antenna Telescope

Ordering Information

Electrical Components

1. Pattern Number

Mounting Brackets

1. Pattern Number

2. Paint Finish

Raceway Covers/End Caps

1. Pattern Number

2. Paint Finish

Communication Mounting Box

1. Pattern Number

2. Paint Finish

Order Code

Electrical Components

Example: **YRPHT12**

YRPHT Power Harness

12 Width

Raceway Covers

Example: **YRC18D, 118T**

YRC Raceway Covers

18 Width

D Outlets Both Sides

118T Bright White Paint

Included With

Power Harness
Center Beam Attachment

Mounting Brackets
Attachment Hardware

Communication Mounting Box
Attachment Hardware

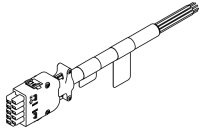
Electrical Components

Telescope Power and Cable Management

Electrical Components for Telescope Dual Tables

2 + 2, 3 + 3 and 4-4-2 Electrical Systems

description	type	w	d	h	pattern no.	list
Ceiling infeed passing through Interpole to Antenna desk, Big Table or Fence	2+2				YR1EPIC12	\$492.
	2+2				YR1EPIC20	895.
	3+3				YR1TPIC12	532.
	3+3				YR1TPIC20	938.
	4-4-2				YR1XPIC12	560.
	4-4-2				YR1XPIC20	985.



Ordering Information

Electrical Components

1. Pattern Number

Mounting Brackets

1. Pattern Number
2. Paint Finish

Raceway Covers/End Caps

1. Pattern Number
2. Paint Finish

Communication Mounting Box

1. Pattern Number
2. Paint Finish

Order Code

Electrical Components

Example: **YRPHT12**

YRPHT Power Harness

12 Width

Raceway Covers

Example: **YRC18D, 118T**

YRC Raceway Covers

18 Width

D Outlets Both Sides

118T Bright White Paint

Included With

Power Harness
Center Beam Attachment

Mounting Brackets
Attachment Hardware

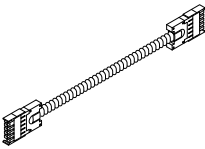
Communication Mounting Box
Attachment Hardware

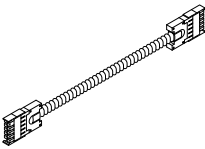
Electrical Components

Telescope Power and Cable Management

Electrical Components for Telescope Dual Tables

2 + 2, 3 + 3 and 4-4-2 Electrical Systems

description	type	w	d	h	pattern no.	list
 Jumper Cable, 2+2	For 12" between power harnesses	12"	1"	1"	YR1EJ12	\$119.
	For 18" between power harnesses	18"	1"	1"	YR1EJ18	128.
	For 24" between power harnesses	24"	1"	1"	YR1EJ24	135.
	For 30" between power harnesses	30"	1"	1"	YR1EJ30	145.
	For 36" between power harnesses	36"	1"	1"	YR1EJ36	153.
	For 42" between power harnesses	42"	1"	1"	YR1EJ42	168.
	For 48" between power harnesses	48"	1"	1"	YR1EJ48	177.
	For 54" between power harnesses	54"	1"	1"	YR1EJ54	183.
	For 60" between power harnesses	60"	1"	1"	YR1EJ60	196.
	For 66" between power harnesses	66"	1"	1"	YR1EJ66	204.
For 72" between power harnesses	72"	1"	1"	YR1EJ72	213.	

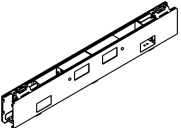
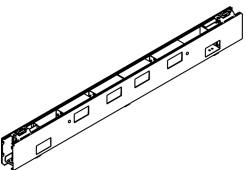

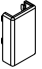
 Jumper Cable, 3+3	For 12" between power harnesses	12"	1"	1"	YR1TJ12	153.
	For 18" between power harnesses	18"	1"	1"	YR1TJ18	166.
	For 24" between power harnesses	24"	1"	1"	YR1TJ24	177.
	For 30" between power harnesses	30"	1"	1"	YR1TJ30	186.
	For 36" between power harnesses	36"	1"	1"	YR1TJ36	200.
	For 42" between power harnesses	42"	1"	1"	YR1TJ42	219.
	For 48" between power harnesses	48"	1"	1"	YR1TJ48	229.
	For 54" between power harnesses	54"	1"	1"	YR1TJ54	236.
	For 60" between power harnesses	60"	1"	1"	YR1TJ60	254.
	For 66" between power harnesses	66"	1"	1"	YR1TJ66	265.
	For adjacent power harnesses	7"	1"	1"	YR1TJ7	203.
	For 72" between power harnesses	72"	1"	1"	YR1TJ72	276.

Ordering Information	Order Code	Included With	Options
Electrical Components 1. Pattern Number	Electrical Components <i>Example:</i> YRPHT12	Power Harness Center Beam Attachment	Electrical Components
Mounting Brackets 1. Pattern Number 2. Paint Finish	YRPHT Power Harness 12 Width	Mounting Brackets Attachment Hardware	
Raceway Covers/End Caps 1. Pattern Number 2. Paint Finish	Raceway Covers <i>Example:</i> YRC18D, 118T YRC Raceway Covers 18 Width	Communication Mouting Box Attachment Hardware	
Communication Mouting Box 1. Pattern Number 2. Paint Finish	D Outlets Both Sides 118T Bright White Paint		

Telescope Power and Cable Management

Hardwire Raceway

For Antenna Telescope

description	type	w	d	h	pattern no.	list
Dual Hardwire Raceway, 30"	(2) Duplex cutouts per side (2) Data cutouts per side	30"	2"	4"	YR1H30D	\$975.
						
Dual Hardwire Raceway, 42"	(4) Duplex cutouts per side (2) Data cutouts per side	42"	2"	4"	YR1H424D	1,350.
						
Flat end cover					YR1HFE	135.
						
Extended end cover					YR1HEE	32.
						

Ordering Information

Hardwire Raceway

1. Pattern Number

Order Code

Hardwire Raceway

Example: **YR1H30D**

YR1 Antenna

H Hardwire

30 Width



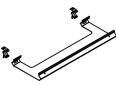

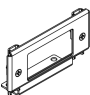


D 2 Data knockouts

Included With

Options

Telescope Power and Cable Management

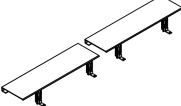
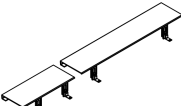
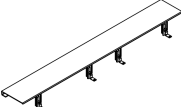
Power Strip, Cleat Plate and Cleat Plate Cover

description	type	w	d	h	pattern no.	list
 Power Strip	For Telescope Dual Table, 4 Outlets	12"	1 1/2"	1 1/2"	YR1TPS12	\$385.
	For Telescope Dual Table, 8 Outlets	24"	1 1/2"	1 1/2"	YR1TPS24	408.
 Cleat Plate	For Telescope Dual Table	25"	3 3/4"	2 1/4"	YR1TCP	128.
 Cleat Plate Cover	For 48", 54" and 60"W Telescope 120 Degree Tables	19 1/2"	10 1/2"	2 1/8"	YR1TCPC20	125.
	For 48"W Telescope Dual Table	27 1/2"	10 1/2"	2 1/8"	YR1TCPC28	125.
	For 54" - 84"W Telescope Dual Tables	30"	10 1/2"	2 1/8"	YR1TCPC30	125.
 Z-Manager	For Telescope Extended Electric Height Range				YR1TZEX	163.
	For Telescope Standard Electric Height Range				YR1TZES	157.
 Telescope Communications Mounting Plate	For Telescope Dual Table	4 3/4"	1 1/2"	2 3/4"	YR1TCMP	111.
 Telescope Vertical Wire Manager	For Telescope Extended Electric Height Range				YR1VWM313	391.
	For Telescope Standard Electric Height Range				YR1VWM318	396.
 Telescope Y-base Vertical Wire Manager	For Telescope Y-base Tables	3/4"	3/4"	19 1/2"	YR1TYVWM	32.

Ordering Information	Order Code	Included With	Options
Telescope Power Strip 1. Pattern Number 2. Bracket Paint Finish	Telescope Power Strip <i>Example:</i> YR1TPS24, 118T YR1TPS Telescope Power Strip 24 Width 118T Bright White Textured Paint	Telescope Power Strip Brackets Attachment Hardware Cleat Plate Wood Screws Data Tray Cover Pair of covers for one workstation Attachment Hardware	Telescope Power Strip
Cleat Plate 1. Pattern Number			
Cleat Plate Cover 1. Pattern Number 2. Paint Finish			

Telescope Power and Cable Management

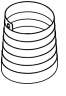

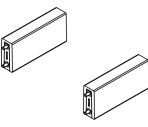



Data Tray Covers

description	type	w	d	h	pattern no.	list
Telescope Data Tray Covers (pair), with centered cutout for Z-Manager 	For use with Telescope Utility Tray	48"	5 1/4"	3/4"	YR1TTC48	\$433.
	For use with Telescope Utility Tray	54"	5 1/4"	3/4"	YR1TTC54	443.
	For use with Telescope Utility Tray	60"	5 1/4"	3/4"	YR1TTC60	448.
	For use with Telescope Utility Tray	66"	5 1/4"	3/4"	YR1TTC66	460.
	For use with Telescope Utility Tray	72"	5 1/4"	3/4"	YR1TTC72	465.
	For use with Telescope Utility Tray	78"	5 1/4"	3/4"	YR1TTC78	475.
	For use with Telescope Utility Tray	84"	5 1/4"	3/4"	YR1TTC84	486.
Telescope Data Tray Covers (pair), with offset cutout for Z-Manager 	For use with Telescope Utility Tray	48"	5 1/4"	3/4"	YR1TTCA48	433.
	For use with Telescope Utility Tray	54"	5 1/4"	3/4"	YR1TTCA54	443.
	For use with Telescope Utility Tray	60"	5 1/4"	3/4"	YR1TTCA60	448.
	For use with Telescope Utility Tray	66"	5 1/4"	3/4"	YR1TTCA66	460.
	For use with Telescope Utility Tray	72"	5 1/4"	3/4"	YR1TTCA72	465.
	For use with Telescope Utility Tray	78"	5 1/4"	3/4"	YR1TTCA78	475.
	For use with Telescope Utility Tray	84"	5 1/4"	3/4"	YR1TTCA84	486.
Telescope Full Width Tray Covers, no cutout for Z-Manager 	For use with Telescope Utility Tray	48"	5 1/4"	3/4"	YR1TTCF48	433.
	For use with Telescope Utility Tray	54"	5 1/4"	3/4"	YR1TTCF54	443.
	For use with Telescope Utility Tray	60"	5 1/4"	3/4"	YR1TTCF60	448.

Ordering Information	Order Code	Included With	Options
Telescope Power Strip 1. Pattern Number 2. Bracket Paint Finish Cleat Plate 1. Pattern Number Cleat Plate Cover 1. Pattern Number 2. Paint Finish	Telescope Power Strip <i>Example:</i> YR1TPS24, 118T YR1TPS Telescope Power Strip 24 Width 118T Bright White Textured Paint	Telescope Power Strip Brackets Attachment Hardware Cleat Plate Wood Screws Data Tray Cover Pair of covers for one workstation Attachment Hardware	Telescope Power Strip

Telescope Accessories

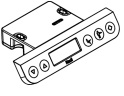
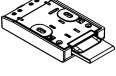
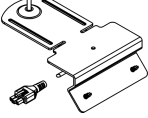
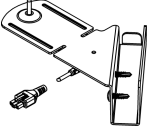
Telescope Accessories

description	type	w	d	h	pattern no.	list
Helical Glide Shroud 	For Telescope Dual Table	2 1/3"	2 1/3"	2 3/4"	YBTHS	\$55.
Figure-8 Column Connector (pair) 	For Telescope Dual Table	10 3/5"	2 3/4"	1/8"	YBTF8	123.
Telescope Connection Link Kit 	For Telescope Dual Table	6 1/2"	1 1/8"	3"	YBTCL	122.
Telescope Glass Vertical Alignment Trim 	For use between Telescope 22"High Glass Center Screens	1/4"	1/2"	22"	YPSCTGT22	37.
	For use between Telescope 26"High Glass Center Screens	1/4"	1/2"	26"	YPSCTGT26	43.
	For use between Telescope 29"High Glass Center Screens	1/4"	1/2"	29"	YPSCTGT29	43.
	For use between Telescope 33"High Glass Center Screens	1/4"	1/2"	33"	YPSCTGT33	48.
Telescope Ballast 	For Telescope Fixed Height Dual Tables			13"	YBTKB5	185.
	For Telescope Fixed Height Dual Tables			26"	YBTKB10	264.
Telescope Carpet Grippers 	kit of 4	1 1/2"	1 1/2"	1/2"	YKTCG	16.
Telescope Power Supply, Extra	For Telescope 120 Degree Station		1 1/2"	1 1/2"	YR1TPS	390.

Ordering Information	Order Code	Included With	Options
Helical Glide Shroud	Helical Glide Shroud		
1. Pattern Number	<i>Example:</i> YBTHS		
Figure-8 Column Connector	YBT	Antenna Telescope	
1. Top Finish Type	HS	Helical Glide Shroud	
2. Paint Finish			

Telescope Accessories

Telescope Accessories

description	type	w	d	h	pattern no.	list
Digital Control Switch 	For Telescope Dual Table				YB2DPD	\$356.
Telescope Toggle Switch 	Grey Toggle Telescope Dual Table	2 1/2"		3/4"	YBTG	265.
	Red Toggle Telescope Dual Table	2 1/2"		3/4"	YBTR	265.
Telescope Worksurface Collision Sensor 	For use on Telescope Dual tables and Y-base tables with rails	4"	6"	1 3/4"	YR1TWCS	206.
Telescope Y-base Worksurface Collision Sensor 	For use on Telescope Y-base tables	4"	7 3/4"	2 1/4"	YR1TYWCS	264.

Ordering Information	Order Code	Included With	Options
Telescope Worksurface Collision Sensor 1. Pattern Number 2. Paint Finish	Telescope Worksurface Collision Sensor <hr/> <i>Example:</i> YR1TWCS <hr/> YR1T Telescope <hr/> WCS Worksurface Collision Sensor <hr/>	Telescope Worksurface Collision Sensor Attachment Hardware	Telescope Worksurface Collision Sensor

Horsepower Planning Guidelines

Horsepower features a simple freestanding structure: the open beam is supported by “A” shaped legs. Horsepower units can be specified as complete kits for single units or can be specified by combining a few basic components for virtually endless runs.

Horsepower enables four planning applications:

Mobile Horsepower

Lightweight and mobile, the Independent Horsepower has integrated power strips, making it easy to move technology into any space. Mobile Horsepower enables users to connect, access and display technology to support the task at hand.

Sawhorse Desk

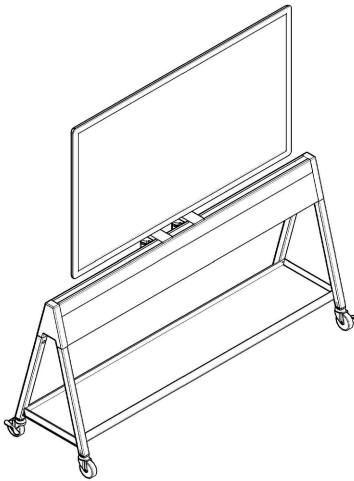
Compact Independent Horsepower units provide desk end support with discreet power access. Sawhorse Desks are assembled from a top, starter rails and two corresponding depth Independent Horsepower units.

Horsepower Perch

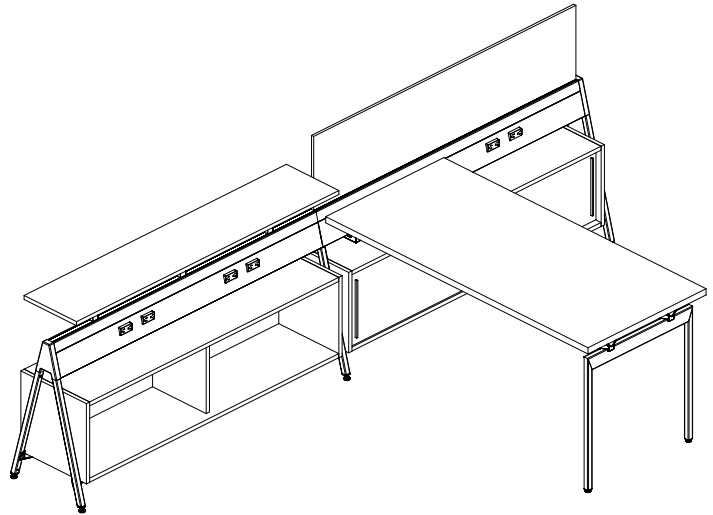
Horsepower Perch invites people to connect—to each other and their devices, offering a comfortable seat for casual exchanges and convenient access to power and USB outlets.

Horsepower Beam

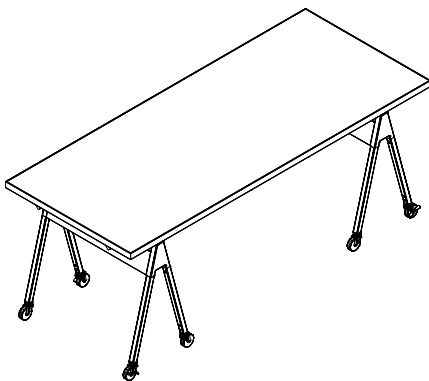
Horsepower features a light open service beam intended to define the center of a cluster or the perimeter of a team space. Horsepower distributes and manages power, data and communications for a group of workspaces through the use of convenient outlets and accessible cable cleats under the beam. The unique Horsepower beam supports the end of a desk, suspended storage and upmounted screens and platforms.



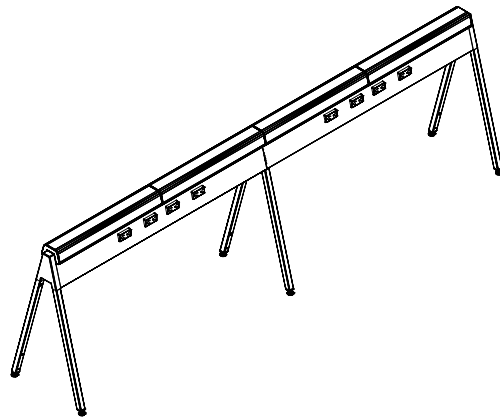
Mobile Horsepower



Horsepower Beam



Sawhorse Desk



Horsepower Perch

The Horsepower Technology Cart brings mobile on-demand screen access to dynamic workspaces by pairing a mobile version of Horsepower with a dedicated Sapper Monitor Arm Collection kit. Four easy order kits are available to accommodate monitors up to 30 lbs. Sapper Monitor Arm kits can be mounted to 30", 36" and 48" wide Independent Horsepower and support screen widths up to 32", 38" and 50" wide overall on corresponding units.

The Horsepower Tech Cart provides external wire management with cable management clips to contain wires along the mast.

Sapper Horsepower Mount for a 20 lb. monitor supports a Sleeve Arm for a single monitor up to 20 lbs. on a 24" mast.

Sapper Horsepower Mount for a 30 lb. monitor supports a 21-30 lb. monitor on 24" masts using dedicated fixed Sleeve Arms which do not allow the monitor to swivel.

The following components must be specified for a complete Horsepower Tech Cart:

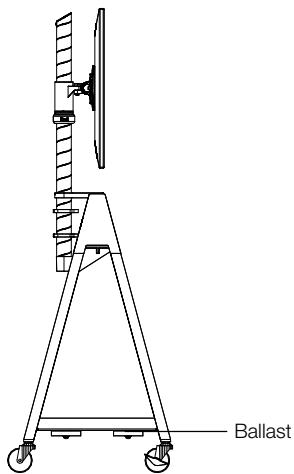
- Independent Horsepower
- Sapper Horsepower 20 lb. or 30 lb. mount (KnollExtra price list)
- Down-mounted cabinet or metal shelf
- Horsepower Ballast Kit

Construction

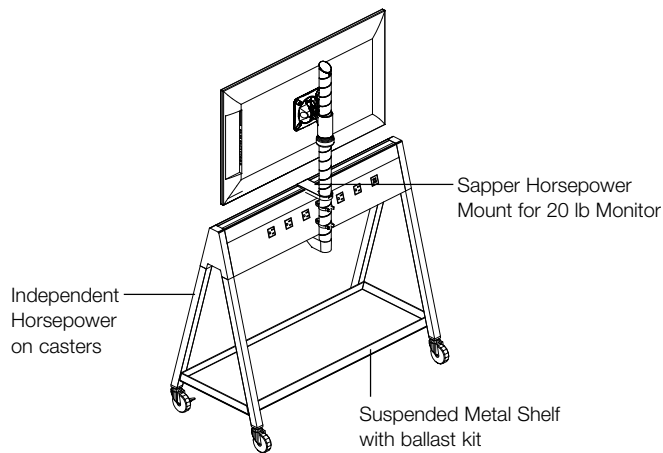
The Sapper mounts are cast aluminum and the VESA plate is painted steel.

Specification Options

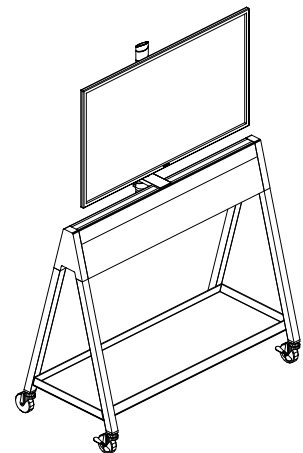
The Sapper mounts are available in any Knoll Core paint finish, Dark Red or Slate Blue. The VESA plates and sleeve arms are available in black.



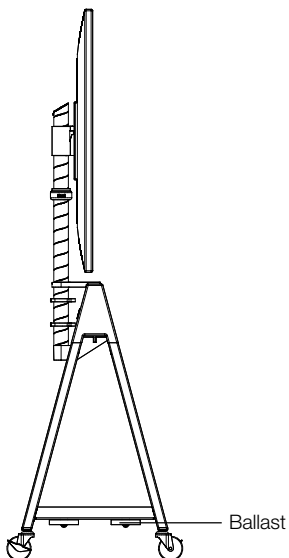
Horsepower Technology Cart End Elevation



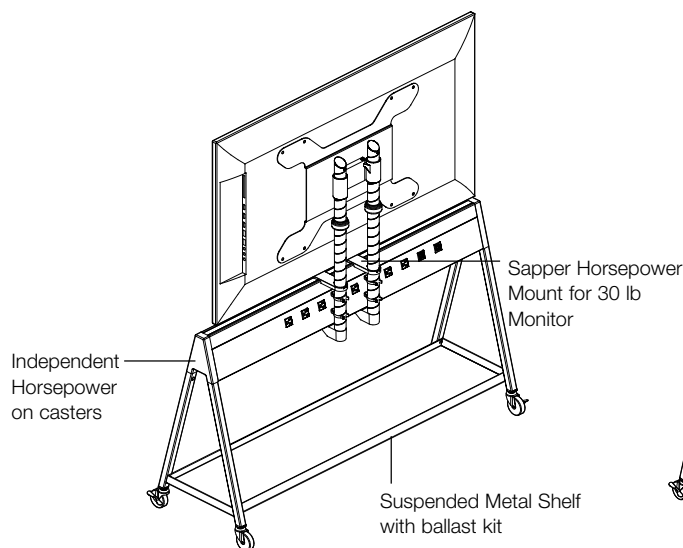
Horsepower Technology Cart



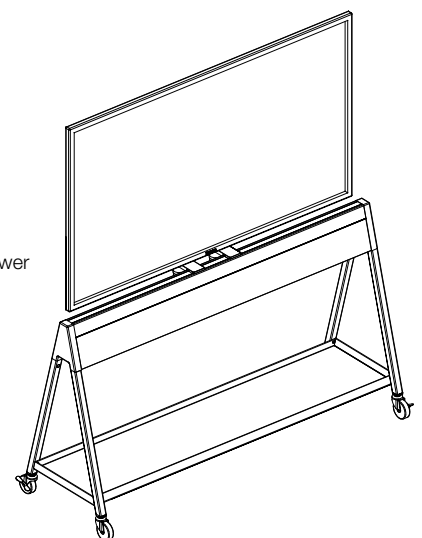
Horsepower Technology Cart



Horsepower Technology Cart End Elevation



Horsepower Technology Cart



Horsepower Technology Cart

Independent Horsepower

Planning Guidelines and Specifications

Independent Horsepower units are available as complete kits: including two end legs, beam, covers and optional cord-set power.

Independent Horsepower is available in 24", 30", 36" and 48" wide and can be specified at either 25" or 28½" high on either glides or casters.

Optional cord-set power can be specified on one or both sides and includes: four power simplex outlet positions and one 2-port USB for 24" wide units, six power simplex outlet positions and one 2-port USB for 30" wide units, six power simplex outlet positions and one 2-port USB for 36" wide units and eight power simplex outlet positions and two 2-port USB for 48" wide Independent

Horsepower units. Independent Horsepower is powered by a 15' cord with 3-prong plug for 120V outlets that can connect directly to a building outlet. Independent Horsepower is a listed product with U.L.

- File E476012 Volume 1, Sections 2

Independent Horsepower can be planned with upmounted screens or KnollExtra Sapper Monitor Mounts to support video display on units 30" – 48" wide. Upmounted screens or monitors on Independent Horsepower require a lower shelf or cabinet with corresponding ballast kit. Beam top caps, specified separately, fill the top channel slot of a beam when no screens are planned.

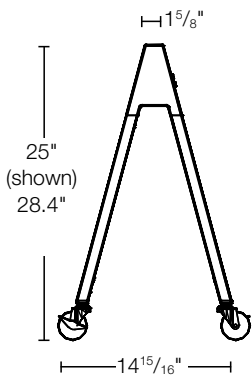
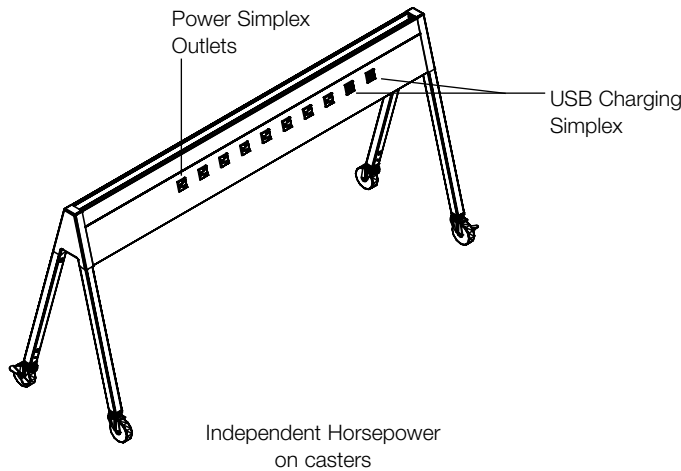
Construction

Horsepower End Legs include die cast aluminum end caps with 1" square steel legs.

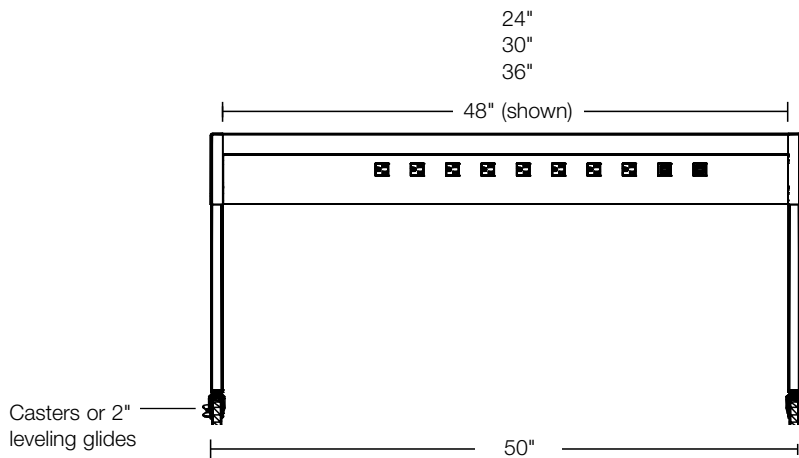
Horsepower Beams and Covers are extruded aluminum.

Specification

Independent Horsepower frames and covers can be specified in any Knoll Core paint finish, Dark Red, Slate Blue and Black Wrinkle. Power and USB outlets are black.

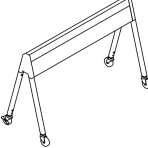


Independent Horsepower on casters End Elevation

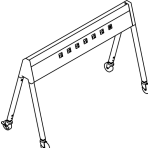


Independent Horsepower on casters Side Elevation

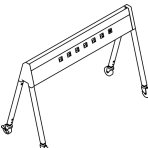
Independent Horsepower 25" High

description	type	w	d	h	pattern no.	list
Independent Horsepower, 25"H, Non-powered 	Freestanding Horsepower Unit	24"	15"	25"	YHP1K2425NC	\$1,035.
	Freestanding Horsepower Unit	24"	15"	25"	YHP1K2425NG	1,003.
	Freestanding Horsepower Unit	30"	15"	25"	YHP1K3025NC	1,087.
	Freestanding Horsepower Unit	30"	15"	25"	YHP1K3025NG	1,056.
	Freestanding Horsepower Unit	36"	15"	25"	YHP1K3625NC	1,198.
	Freestanding Horsepower Unit	36"	15"	25"	YHP1K3625NG	1,167.
	Freestanding Horsepower Unit	48"	15"	25"	YHP1K4825NC	1,330.
	Freestanding Horsepower Unit	48"	15"	25"	YHP1K4825NG	1,298.

Independent Horsepower with Caster shown

Independent Horsepower, 25"H, Powered one side 	Freestanding Horsepower Unit	24"	15"	25"	YHP1K2425P1C	1,900.
	Freestanding Horsepower Unit	24"	15"	25"	YHP1K2425P1G	1,869.
	Freestanding Horsepower Unit	30"	15"	25"	YHP1K3025P1C	2,096.
	Freestanding Horsepower Unit	30"	15"	25"	YHP1K3025P1G	2,063.
	Freestanding Horsepower Unit	36"	15"	25"	YHP1K3625P1C	2,175.
	Freestanding Horsepower Unit	36"	15"	25"	YHP1K3625P1G	2,142.
	Freestanding Horsepower Unit	48"	15"	25"	YHP1K4825P1C	2,913.
	Freestanding Horsepower Unit	48"	15"	25"	YHP1K4825P1G	2,882.

Independent Horsepower with Caster shown

Independent Horsepower, 25"H, Powered both sides 	Freestanding Horsepower Unit	24"	15"	25"	YHP1K2425P2C	2,269.
	Freestanding Horsepower Unit	24"	15"	25"	YHP1K2425P2G	2,238.
	Freestanding Horsepower Unit	30"	15"	25"	YHP1K3025P2C	2,513.
	Freestanding Horsepower Unit	30"	15"	25"	YHP1K3025P2G	2,480.
	Freestanding Horsepower Unit	36"	15"	25"	YHP1K3625P2C	2,586.
	Freestanding Horsepower Unit	36"	15"	25"	YHP1K3625P2G	2,554.
	Freestanding Horsepower Unit	48"	15"	25"	YHP1K4825P2C	3,431.
	Freestanding Horsepower Unit	48"	15"	25"	YHP1K4825P2G	3,399.

Independent Horsepower with Caster shown

Ordering Information

Independent Horsepower

1. Pattern Number
2. Frame Paint Finish
3. Outlet Cover Finish

Order Code

Independent Horsepower

Example: **YHP1K2425P2C, 118T, 118T**

YHP1K	Independent Horsepower
24	Width
25	Height
P2	Powered Both Sides
C	Casters
118T	Bright White Textured Paint
118T	Bright White Textured Paint

Included With

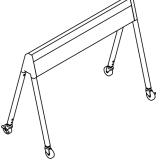
Independent Horsepower
End Legs
Beam
Covers
Plugstrip (if specified with power)
Leveling Glides or Casters
Attachment Hardware

Options

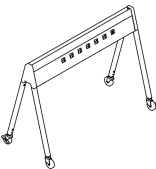
Independent Horsepower
(C) Glides
(C) Caster

Independent Horsepower

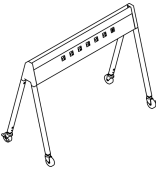
28 1/2" High

description	type	w	d	h	pattern no.	list
Independent Horsepower, 28"H, Non-powered 	Freestanding Horsepower Unit	24"	16 3/4"	28 1/2"	YHP1K2428NC	\$1,056.
	Freestanding Horsepower Unit	24"	16 3/4"	28 1/2"	YHP1K2428NG	1,024.
	Freestanding Horsepower Unit	30"	16 3/4"	28 1/2"	YHP1K3028NC	1,109.
	Freestanding Horsepower Unit	30"	16 3/4"	28 1/2"	YHP1K3028NG	1,076.
	Freestanding Horsepower Unit	36"	16 3/4"	28 1/2"	YHP1K3628NC	1,219.
	Freestanding Horsepower Unit	36"	16 3/4"	28 1/2"	YHP1K3628NG	1,188.
	Freestanding Horsepower Unit	48"	16 3/4"	28 1/2"	YHP1K4828NC	1,351.
	Freestanding Horsepower Unit	48"	16 3/4"	28 1/2"	YHP1K4828NG	1,320.

Independent Horsepower with Caster shown

Independent Horsepower, 28"H, Powered one side 	Freestanding Horsepower Unit	24"	16 3/4"	28 1/2"	YHP1K2428P1C	1,921.
	Freestanding Horsepower Unit	24"	16 3/4"	28 1/2"	YHP1K2428P1G	1,890.
	Freestanding Horsepower Unit	30"	16 3/4"	28 1/2"	YHP1K3028P1C	2,116.
	Freestanding Horsepower Unit	30"	16 3/4"	28 1/2"	YHP1K3028P1G	2,085.
	Freestanding Horsepower Unit	36"	16 3/4"	28 1/2"	YHP1K3628P1C	2,195.
	Freestanding Horsepower Unit	36"	16 3/4"	28 1/2"	YHP1K3628P1G	2,164.
	Freestanding Horsepower Unit	48"	16 3/4"	28 1/2"	YHP1K4828P1C	2,935.
	Freestanding Horsepower Unit	48"	16 3/4"	28 1/2"	YHP1K4828P1G	2,903.

Independent Horsepower with Caster shown

Independent Horsepower, 28"H, Powered both sides 	Freestanding Horsepower Unit	24"	16 3/4"	28 1/2"	YHP1K2428P2C	2,291.
	Freestanding Horsepower Unit	24"	16 3/4"	28 1/2"	YHP1K2428P2G	2,259.
	Freestanding Horsepower Unit	30"	16 3/4"	28 1/2"	YHP1K3028P2C	2,533.
	Freestanding Horsepower Unit	30"	16 3/4"	28 1/2"	YHP1K3028P2G	2,502.
	Freestanding Horsepower Unit	36"	16 3/4"	28 1/2"	YHP1K3628P2C	2,607.
	Freestanding Horsepower Unit	36"	16 3/4"	28 1/2"	YHP1K3628P2G	2,576.
	Freestanding Horsepower Unit	48"	16 3/4"	28 1/2"	YHP1K4828P2C	3,452.
	Freestanding Horsepower Unit	48"	16 3/4"	28 1/2"	YHP1K4828P2G	3,421.

Independent Horsepower with Caster shown

Ordering Information

Independent Horsepower

1. Pattern Number
2. Frame Paint Finish
3. Outlet Cover Finish

Order Code

Independent Horsepower

Example: **YHP1K2428P2C, 118T, 118T**

YHP1K	Independent Horsepower
24	Width
28	Height
P2	Powered Both Sides
C	Casters
118T	Bright White Textured Paint
118T	Bright White Textured Paint

Included With

Independent Horsepower

End Legs
Beam
Covers
Plugstrip (if specified with power)
Leveling Glides or Casters
Attachment Hardware

Options

Independent Horsepower

(C) Glides
(C) Caster

Linked Horsepower

Planning Guidelines and Specifications

Linked Horsepower enables tables and desk arrangements to be moved independently of the beam channel, or can be used to support one end of a desk.

Linked Horsepower can be configured at desk top height or at 25" height for a convenient perch in community spaces to sit and recharge. At either horizon, Horsepower can also support upmounted platforms, privacy screens or KnollExtra LED lighting as well as suspended storage. A Linked Horsepower configuration consists of various individual components: legs, beams, covers and power components.

Linked Horsepower includes two leg types for support: End Legs provide support at either end of a continuous run of connected beams and Mid Legs provide for support and connection between beams up to 72" wide mounted end-to-end. End Legs are outside of the module width, adding 1" on either end of a continuous run of Linked Horsepower. Mid legs are positioned centered between

adjacent beams and covers to maintain a consistent module width if planned with Antenna workstations. Legs include levelers with 1½" of adjustability. End legs are also available on casters for configuring a single mobile section of Horsepower with no power.

Horsepower beams include an upper and lower extruded aluminum beam that mounts between legs to create an open service channel for modular power distribution or hardwired outlet boxes. Beams are available 36", 48", 60", 66" and 72" wide. The upper beam features a continuous top channel for mounting various components. Beam top caps fill the top channel slot of a beam when no screens are planned. When upmounted platforms or KnollExtra T-lights are mounted to the top beam, top caps can be trimmed in the field to fit around brackets.

The lower beam features two oval cutouts on either end to allow for cable pass through to the power channel.

Horsepower Covers mount on either side of the open beam channel to conceal power distribution or provide enclosure for the open channel. Covers are available with or without outlet cutouts for access to power receptacles.

Construction

Horsepower End Legs include die cast zinc end caps with 1" square steel legs

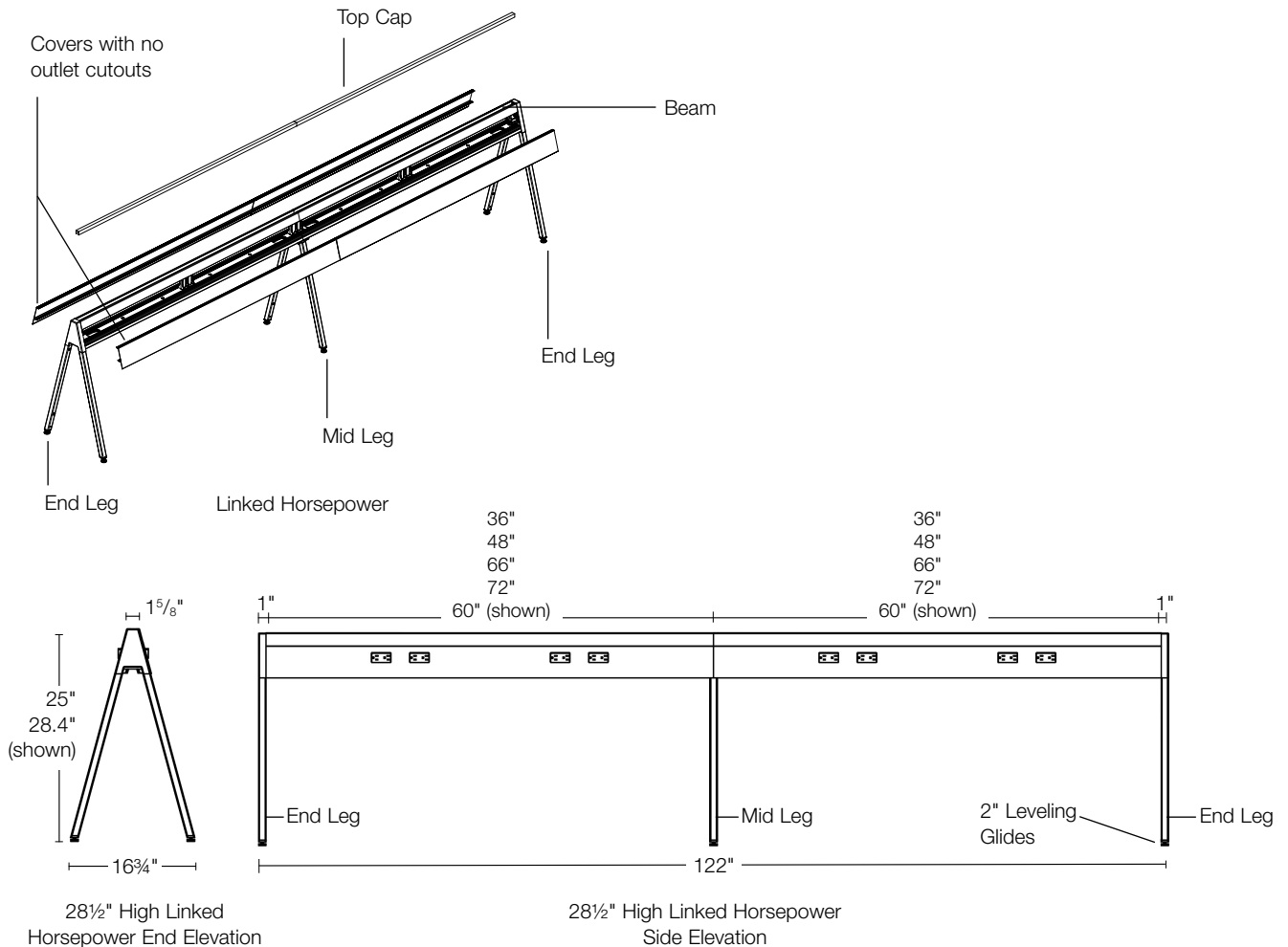
Horsepower Mid Legs include a steel top mounting plate, steel support column and 1" square steel legs.

Horsepower Beams and Covers are extruded aluminum.

Specification Options

Beams, legs and covers are available in any Knoll core, Dark Red, Slate Blue or Black Wrinkle paint finish.

Beam top caps are available in any Knoll core, Dark Red or Slate Blue paint finish.



Legs for Linked Horsepower 25" and 28½" High

description	type	w	d	h	pattern no.	list
Horsepower End Leg with Glides		15"	1"	25"	YHP1A25G	\$322.
		16¾"	1"	28½"	YHP1A28G	333.



Horsepower End Leg with Casters		15"	1"	25"	YHP1A25C	343.
		16¾"	1"	28½"	YHP1A28C	348.



Horsepower Mid Leg with Glides		15"	1"	25"	YHP1M25	448.
		16¾"	1"	28½"	YHP1M28	460.



Ordering Information

Horsepower Legs

1. Pattern Number
2. Paint Finish

Order Code

Horsepower Legs

Example: **YHP1A28G, 118T**

YHP1A Horsepower End Leg

28 Height

G Glides

Included With

Horsepower Legs

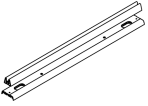
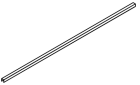
Leg
Leveling Glides or Casters
Attachment Hardware

Options

Horsepower Legs

Beams for Linked Horsepower

Beam and Top Caps

description	type	w	d	h	pattern no.	list
 Horsepower Beams	For 36" Wide Horsepower	36"W	4 ³ / ₈ "	5 ³ / ₄ "	YHP1B36	\$343.
	For 48" Wide Horsepower	48"W	4 ³ / ₈ "	5 ³ / ₄ "	YHP1B48	438.
	For 60" Wide Horsepower	60"W	4 ³ / ₈ "	5 ³ / ₄ "	YHP1B60	639.
	For 66" Wide Horsepower	66"W	4 ³ / ₈ "	5 ³ / ₄ "	YHP1B66	644.
	For 72" Wide Horsepower	72"W	4 ³ / ₈ "	5 ³ / ₄ "	YHP1B72	649.
 Horsepower Top Caps	For 24" Wide Horsepower Beam	24"W	5/ ₆ "	5/ ₆ "	YCBCC24	45.
	For 30" Wide Horsepower Beam	30"W	5/ ₆ "	5/ ₆ "	YCBCC30	50.
	For 36" Wide Horsepower Beam	36"W	5/ ₆ "	5/ ₆ "	YCBCC36	55.
	For 48" Wide Horsepower Beam	48"W	5/ ₆ "	5/ ₆ "	YCBCC48	58.
	For 60" Wide Horsepower Beam	60"W	5/ ₆ "	5/ ₆ "	YCBCC60	73.
	For 66" Wide Horsepower Beam	66"W	5/ ₆ "	5/ ₆ "	YCBCC66	78.
	For 72" Wide Horsepower Beam	72"W	5/ ₆ "	5/ ₆ "	YCBCC72	84.

Ordering Information

Horsepower Beam

1. Pattern Number
2. Paint Finish

Horsepower Top Cap

1. Pattern Number
2. Paint Finish

Order Code

Horsepower Beam

Example: **YHP1B36, 118T**

YHP1B Horsepower Beam
36 Width

Horsepower Top Cap

Example: **YCBCC36, 118T**

YCBCC Horsepower Top Cap
36 Width

Included With

Horsepower Beam
Top Beam
Bottom Beam

Horsepower Top Cap

Options

Horsepower Beam
Horsepower Top Cap

Covers for Linked Horsepower

Planning Guidelines and Specifications

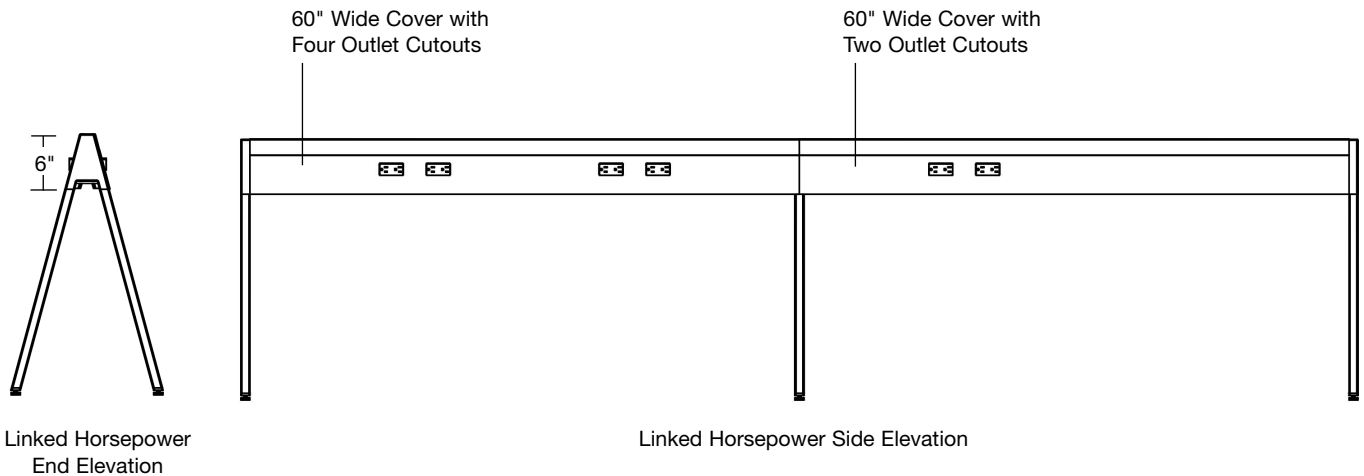
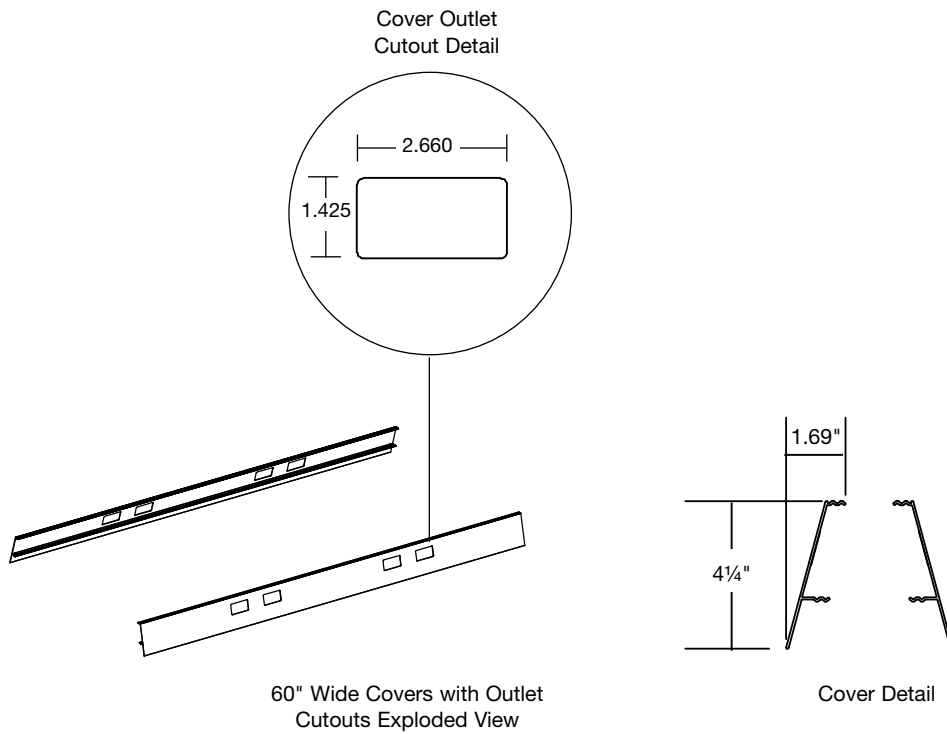
Horsepower Covers are 4¼" high and mount at an angle over Horsepower top and bottom beams to conceal the power channel. Horsepower Covers are specified as a pair and are available with or without outlet cutouts. Covers with outlet cutouts feature two cutouts for 36" wide, four cutouts for 48" wide, and two or four cutouts for 60", 66" and 72" wide covers.

Construction

Covers are extruded aluminum with integral top and bottom hook details.

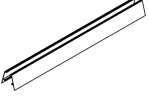
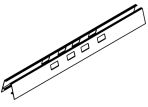
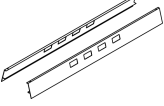
Specification Options

Covers are available in any Knoll core, Dark Red, Slate Blue or Black Wrinkle paint finish.



Horsepower

Covers for Linked Horsepower Powered and Non-Powered

description	type	w	pattern no.	list
Horsepower Covers (pair), No Outlet Openings 	For 36" Wide Horsepower Beam	36"W	YHP1C36N	\$168.
	For 48" Wide Horsepower Beam	48"W	YHP1C48N	216.
	For 60" Wide Horsepower Beam	60"W	YHP1C60N	295.
	For 66" Wide Horsepower Beam	66"W	YHP1C66N	301.
	For 72" Wide Horsepower Beam	72"W	YHP1C72N	306.
Horsepower Covers (pair), Duplex Outlet Openings Both Sides  (YHP1C484P shown)	For 36" Wide Horsepower Beam, two duplex outlet openings on each side	36"W	YHP1C362P	227.
	For 48" Wide Horsepower Beam, four duplex outlet openings on each side	48"W	YHP1C484P	280.
	For 60" Wide Horsepower Beam, two duplex outlet openings on each side	60"W	YHP1C602P	354.
	For 60" Wide Horsepower Beam, four duplex outlet openings on each side	60"W	YHP1C604P	359.
	For 66" Wide Horsepower Beam, two duplex outlet openings on each side	66"W	YHP1C662P	359.
	For 66" Wide Horsepower Beam, four duplex outlet openings on each side	66"W	YHP1C664P	364.
	For 72" Wide Horsepower Beam, two duplex outlet openings on each side	72"W	YHP1C722P	364.
	For 72" Wide Horsepower Beam, four duplex outlet openings on each side	72"W	YHP1C724P	369.
Horsepower Covers (pair), Duplex Outlet Openings for Hardwired Outlets Both Sides 	For 36" Wide Horsepower Beam, two duplex outlet openings on each side	36"W	YHP2C362H	227.
	For 48" Wide Horsepower Beam, four duplex outlet openings on each side	48"W	YHP2C484H	280.
	For 60" Wide Horsepower Beam, two duplex outlet openings on each side	60"W	YHP2C602H	354.
	For 60" Wide Horsepower Beam, four duplex outlet openings on each side	60"W	YHP2C604H	359.
	For 66" Wide Horsepower Beam, two duplex outlet openings on each side	66"W	YHP2C662H	359.
	For 66" Wide Horsepower Beam, four duplex outlet openings on each side	66"W	YHP2C664H	364.
	For 72" Wide Horsepower Beam, two duplex outlet openings on each side	72"W	YHP2C722H	364.
For 72" Wide Horsepower Beam, four duplex outlet openings on each side	72"W	YHP2C724H	369.	

Ordering Information

Horsepower Covers

1. Pattern Number
2. Paint Finish

Order Code

Horsepower Covers

Example: **YHP1C604P, 118T**

YHP1C	Horsepower Covers
60	Width
4P	4 Duplex Outlet Openings

Included With

Horsepower Covers
Covers (pair)
Screws (hardwire only)

Options

Horsepower Covers

Antenna Desk Support

Antenna desk support adapters are available for 28" high Linked Horsepower applications when Antenna tops are mounted perpendicular to the Horsepower beam. Desk support adapters connect the desk rails to the supporting Horsepower beam.

Antenna Simple Table Support

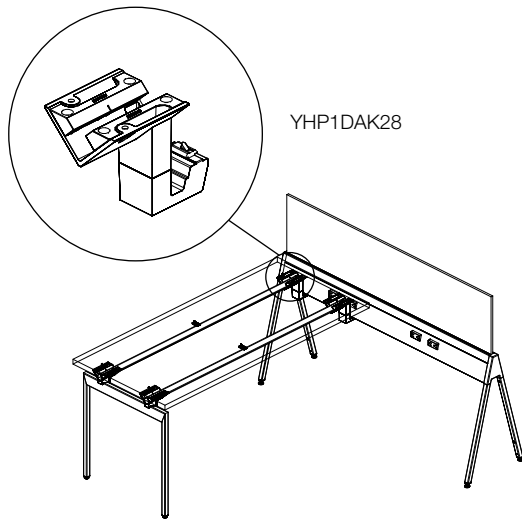
Antenna Simple Table support adapters are available for 28" high Linked Horsepower applications when High Range Desk Height Simple Tables are mounted parallel or perpendicular to the Horsepower beam. Desk support adapters connect metal inserts in the top to the supporting Horsepower Beam.

Construction

Desk and table adapters consist of painted, die cast aluminum cradles and brackets.

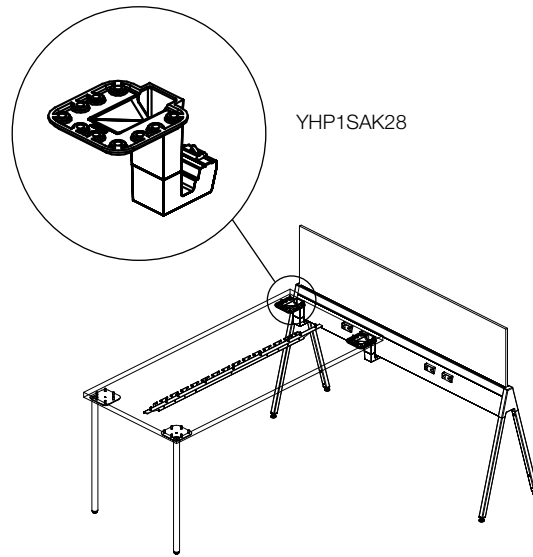
Specification Options

Specify desk support adapters in any Knoll core, Dark Red, Slate Blue, or Black Wrinkle paint finish.



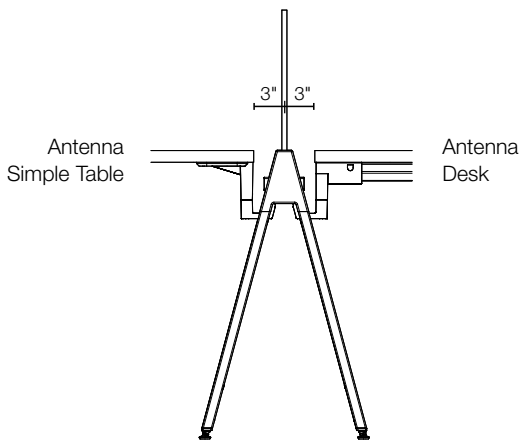
YHP1DAK28

Antenna Desk Supported by 28½" High Horsepower

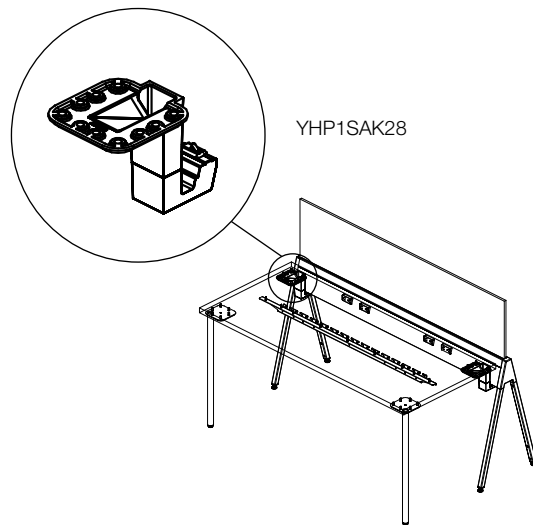


YHP1SAK28

Antenna Simple Table, Desk Height High Range, Supported by 28½" High Horsepower



28½" High Linked Horsepower Supporting Desks, End Elevation



YHP1SAK28

Antenna Simple Table, Desk Height High Range, Supported by 28½" High Horsepower

Horsepower Desk Support Adapters

Planning Guidelines and Specifications

Sawhorse Desk

Sawhorse Desks can be configured by using Sawhorse desk support adapters, an Antenna rectangular desk top, a pair of starter rails, and two corresponding depth Independent Horsepower units on glides or casters.

Sawhorse desk support adapters connect the desk rails to the supporting Independent Horsepower unit and the underside of the top. The desk support adapters mount onto the top channel of a 25"H Independent Horsepower beam to support a worksurface height of 28½"H.

Tops for Sawhorse desk planning are full dimension, 27", 30", 36", 42" and 48" depths, and available in every 6" increment of width from 54"-96".

Tops 27" and 30" deep are supported by two 24" wide Independent Horsepower units, tops 36" deep are supported with two 30" wide Independent Horsepower units, and tops 42" and 48" deep are supported with two 36" wide Independent Horsepower units.

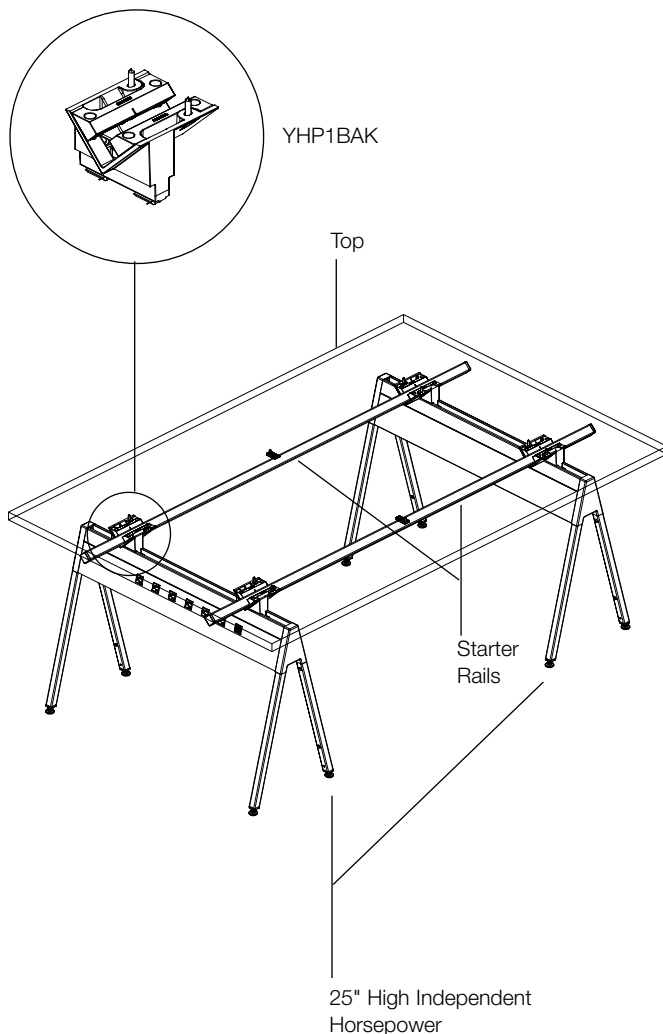
Starter rails are inset 1½" from each end of the top and Independent Horsepower supports are inset 9" from each end of the top to centerline of the Horsepower.

Construction

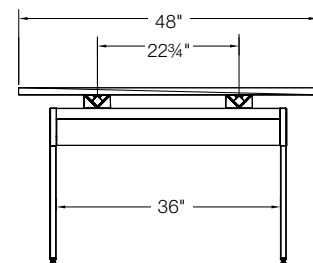
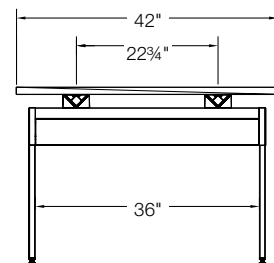
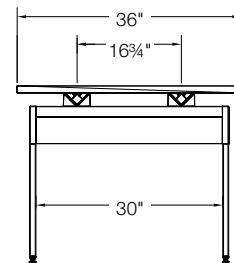
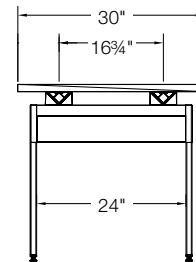
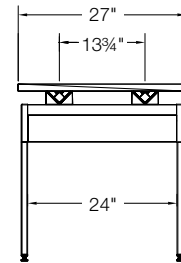
Sawhorse desk adapters consist of painted cast aluminum cradles and brackets.

Specification Options

Specify desk support adapters in any Knoll core, Dark Red, Slate Blue, or Black Wrinkle paint finish.



Sawhorse Rail Spacing Diagram

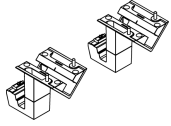


Horsepower Desk Support Adapters

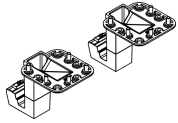
Antenna Workspaces

For Antenna Desk, Antenna Simple Tables and Sawhorse Desk

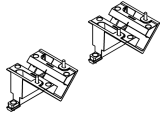
description	type	w	d	h	pattern no.	list
Horsepower to Antenna Desk Support Adapters (pair)	For use with 28"H Linked Horsepower	4"	6 3/4"	5 1/2"	YHP1DAK28	\$190.



Horsepower to Antenna Simple Table Support Adapters (pair)	For use with 28"H Linked Horsepower	5"	5"	5 1/2"	YHP1SAK28	180.
--	-------------------------------------	----	----	--------	------------------	------



Sawhorse Desk Support Adapters (pair)	For use with 25"H Independent Horsepower	4"	4 1/2"	3 1/4"	YHP1BAK	190.
---------------------------------------	--	----	--------	--------	----------------	------



Horsepower

Ordering Information	Order Code	Included With	Options
Adapters	Horsepower Support Adapters	Horsepower Support Adapters	Horsepower Support Adapters
1. Pattern Number	<i>Example:</i> YHP1DAK28, 118T	Hardware	
2. Paint Finish	YHP1 Horsepower Adapter		
	DAK Antenna Desk		
	28 Height		
	118T Bright White Paint		

Electrical Components for Linked Horsepower

Linked Horsepower can be powered by a modular distribution system featuring standard Knoll 2+2 and 3+3 eight- and ten-wire power systems. From a single point of connection to the building power supply, the Horsepower beam channel can distribute four or six 20-amp circuits. Depending on national and local electrical codes, and the anticipated load of a particular application, each circuit may support as many as 10 or more duplex outlets.

The central component is the power harness, which can be mounted in the Horsepower beam channel, located 12" from either end of a beam.

The power harness accepts snap-in duplex outlets on each face. Each end of the harness has ports for two jumper cables, or a power infeed and a jumper cable. The power infeed connects power from a building junction box, and jumpers connect power from one harness to another, in either direction.

Power harnesses are available in two sizes: 12" wide, with two duplex outlet locations on each face, and 24" wide, with four outlet locations on each face. For 36" wide Horsepower frames, one 12" harness is located centered, 12" from either end of the beam. For 48" wide Horsepower beams, one 24" wide harness is located centered, 12" from either end of the beam. For 60", 66" and 72" wide Horsepower beams, one 12" harness can be located 12" in from either or both ends of the beam.

Extended face duplex outlets extend to protrude through the outlet cover openings and must be specified separately to access one of the four or six circuits. Outlets for all circuits can be specific in black with white letters identifying circuits and with a controlled stamp to comply with California Title 24 Code. Outlets for circuits X, Y, Z are also available in orange with black letters, or black with orange triangles and letters to designate protected circuits. Simplex, 2-port USB outlets are available in all circuits.

Jumpers

Jumper cables are available in various lengths up to 96" wide to link power between harnesses. To calculate the jumper width required to join between two harnesses in the same beam, take the beam width and subtract 48". Power harnesses planned next to each other in adjacent beams require a 24" wide jumper.

Preconfigured Power Harness Kits

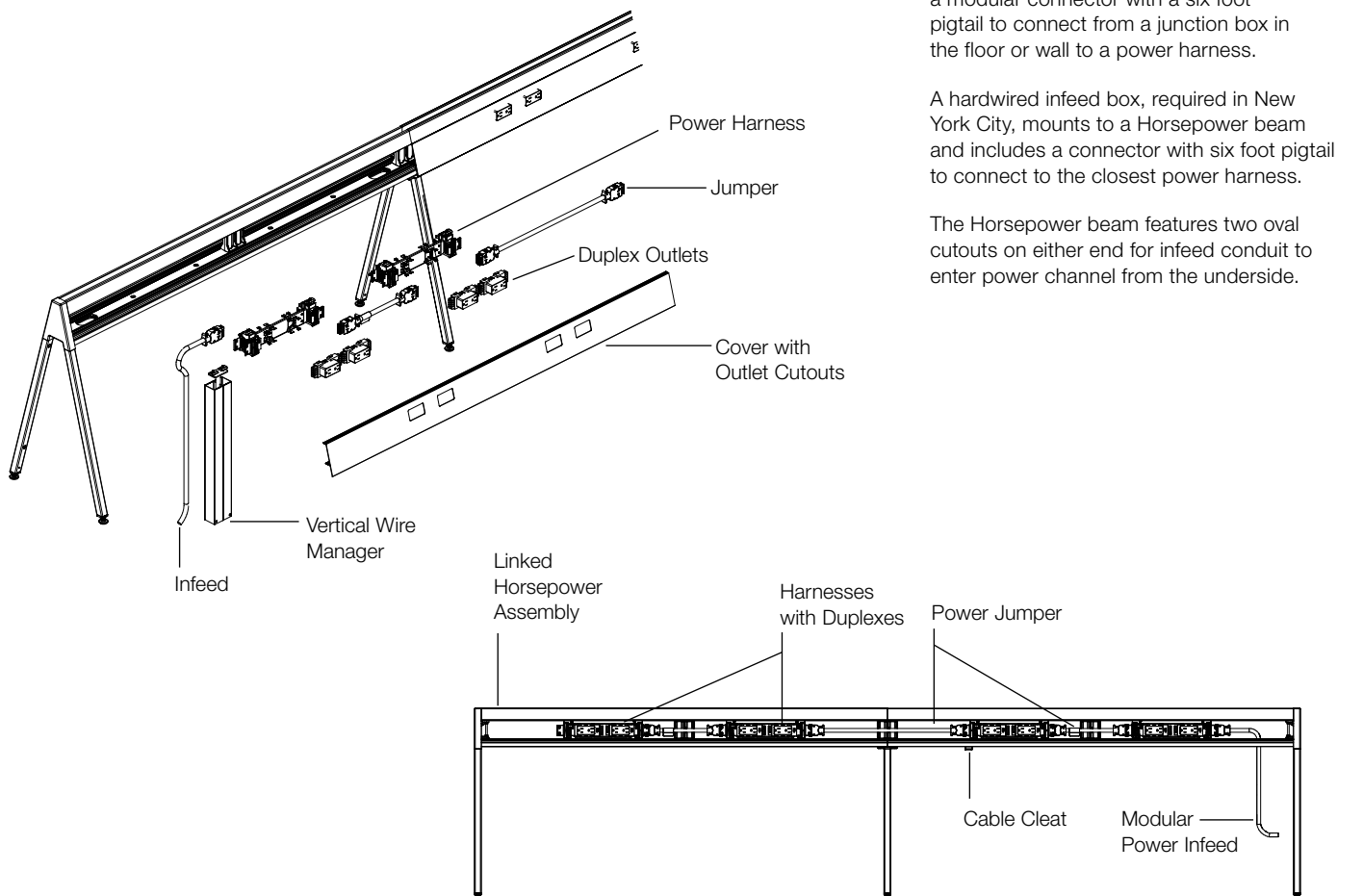
Single and Double Power Harness Kits for 60", 66" and 72" beam applications are configured to make specifying simple for the most frequently planned configurations. The Single Power Harness Kit includes a 12" wide harness and a jumper to the harness in the same location in the next beam. The Double Power Harness Kit includes two 12" wide harnesses and the jumper between those harnesses in the same frame.

Infeeds

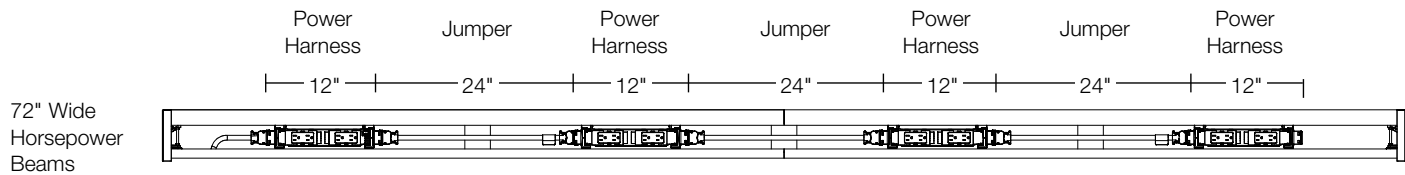
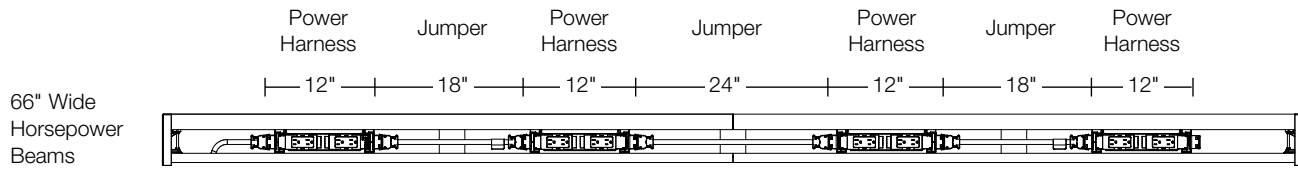
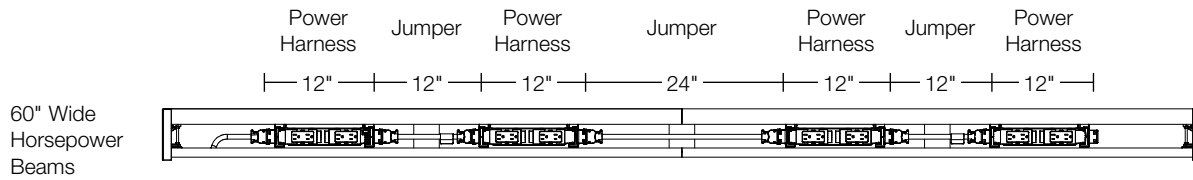
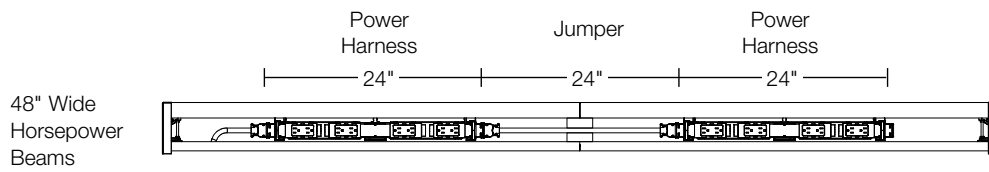
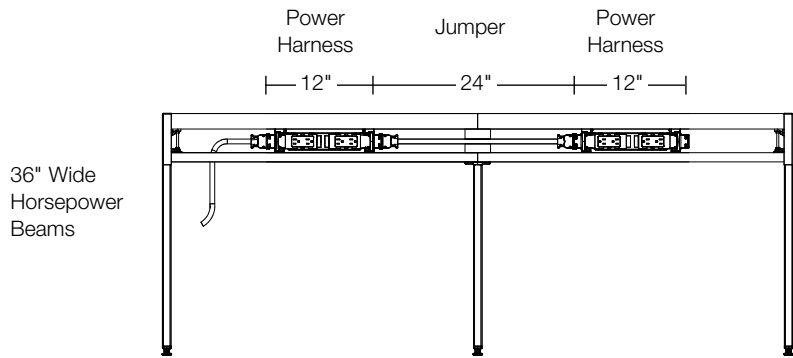
Two types of power infeeds are available to connect the channel from the building power supply. The modular infeed has a modular connector with a six foot pigtail to connect from a junction box in the floor or wall to a power harness.

A hardwired infeed box, required in New York City, mounts to a Horsepower beam and includes a connector with six foot pigtail to connect to the closest power harness.

The Horsepower beam features two oval cutouts on either end for infeed conduit to enter power channel from the underside.



Linked Horsepower Electrical Layouts



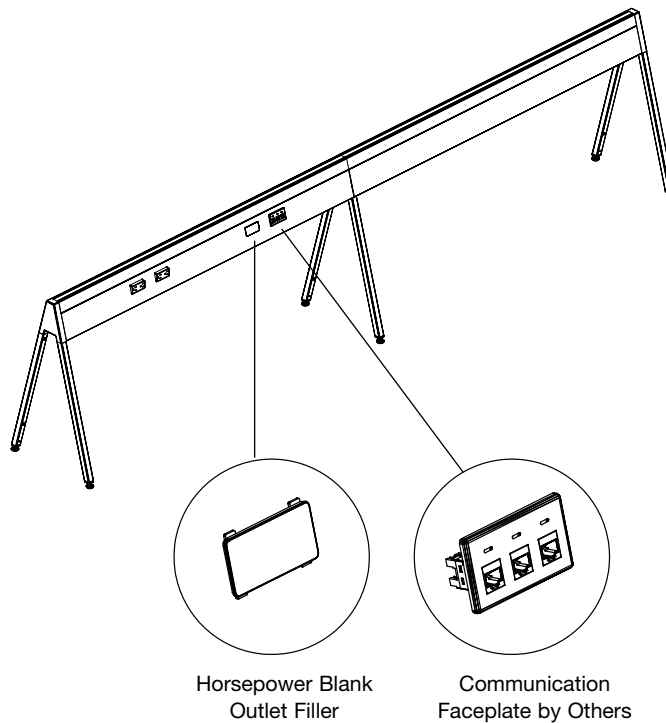
Horsepower

Data and Communications

Data and communication faceplates can occupy one or more of the factory outlet cutouts in Horsepower Covers. Power harnesses cannot be located directly behind a data faceplate.

The PDC module extension kit is a set of ten collars that snap securely into an outlet opening in Horsepower covers to project a new outlet mounting position $\frac{1}{2}$ " away from the face of the box or cover. The added depth can be crucial if communications connectors are unusually deep and are arrayed back to back in the Horsepower channel.

Outlet fillers are a kit of ten plastic filler plates that flex to snap securely into any unused outlet opening in Horsepower covers. Installed covers are designed to closely mimic the appearance of adjacent power outlets. Fillers are black injection molded plastic.



2+2

Four 20-amp circuits, 8 wire configuration with four hots (12 gauge), two neutrals (10 gauge, 35A rated), two grounds.

Power harness and outlet modules: steel enclosure between molded polypropylene distribution blocks, 8-wire.

Jumper cables: flexible steel conduit with strain relief, 8-wire

Outlets: molded polycarbonate duplex preconfigured as circuit A, B (black), X, Y (black, orange or black with orange triangle)

Infeed: watertight conduit with 6' whip or hardwire box mounted to beam, 8-wire

Load should be balanced evenly among power circuits. In accordance with NEC2011 Article 210, the permissible load should not exceed 80% of the circuit ampere rating (which is 16 amps on each 20 amp branch circuit).

3+3

Six 20-amp circuits, 10 wire configuration with six hots (12 gauge), two neutrals (10 gauge, 35A rated), two grounds.

Power harness and outlet modules: steel enclosure between molded polypropylene distribution blocks, 10-wire.

Jumper cables: flexible steel conduit with strain relief, 10-wire

Outlets: molded polycarbonate duplex preconfigured as circuit A, B, C (black), X, Y, Z (black, orange or black with orange triangle)

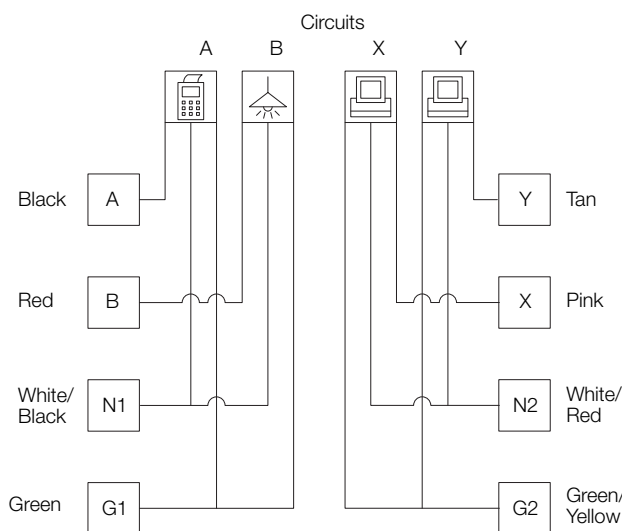
Infeed: watertight conduit with 6' whip or hardwire box mounted to beam, 10-wire

Load should be balanced evenly among power circuits. In accordance with NEC2011 Article 210, the permissible load should not exceed 80% of the circuit ampere rating (which is 16 amps on each 20 amp branch circuit).

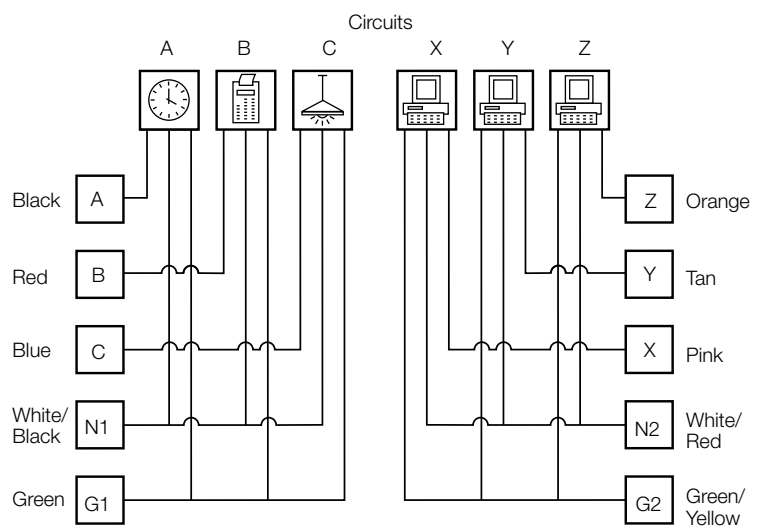
Horsepower is a listed product with U.L. in the QAWZ office furnishings category.

- File E76704 Volume 13, Section 1 (Furniture)
- File E76704 Volume 5, Section 5 (Electrical Accessories)

Wiring Diagram (2+2)

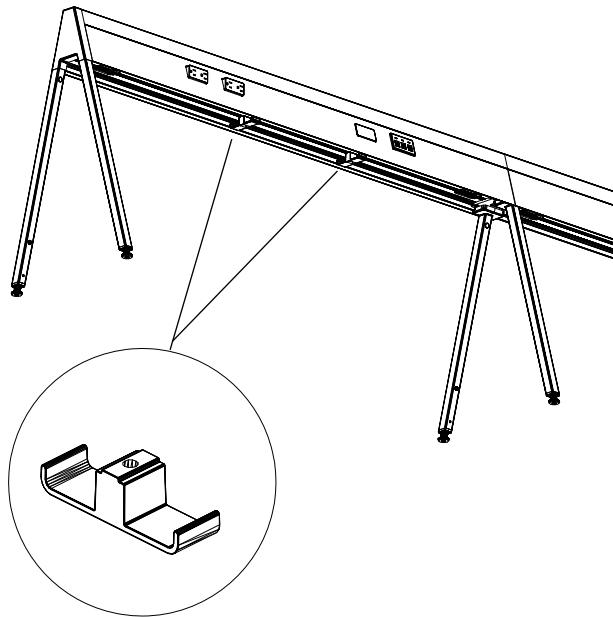


Wiring Diagram (3+3)



Cable Cleats for Horsepower Beam

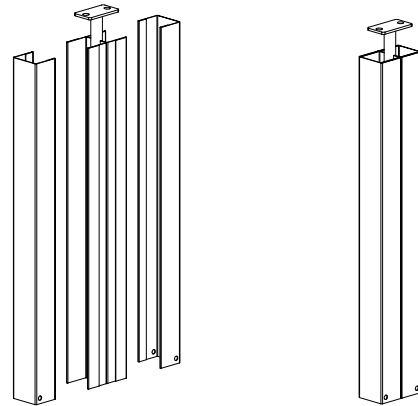
Cable Cleats for Horsepower attach to the underside of the beam to manage small bundles of data cables separately from power. Data cables can then enter and exit two oval cutouts at either of the beam as necessary. Up to twelve CAT6 cables, six on each side, can be managed by the clip.



Cable Cleats for Horsepower Beam

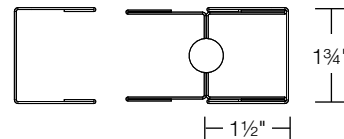
Vertical Wire Manager

For Horsepower, cables can be managed from the floor up to the underside of the beam by a vertical wire manager. The H-shape internal frame is suspended from the beam, and provides lay-in channels separating power from data communication cables. U-shape side covers snap onto the frame to manage and conceal cables.



Vertical Wire Manager
Exploded Detail

Vertical Wire Manager
Assembly

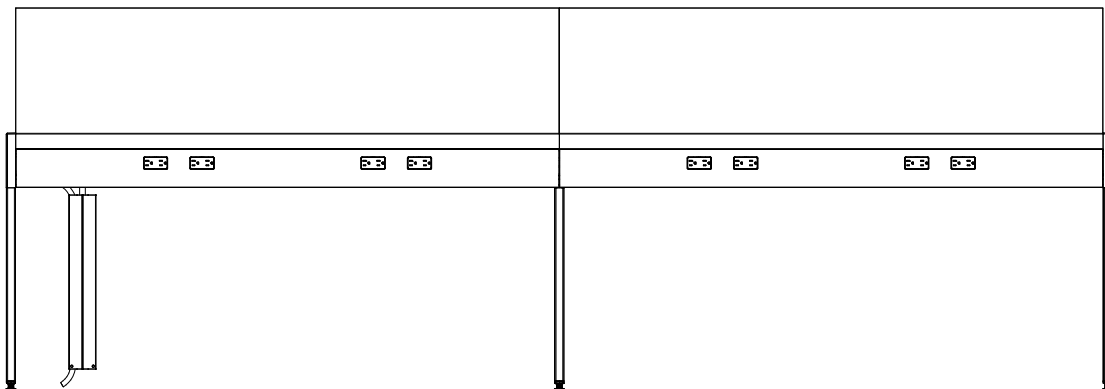


1 1/2"

1 3/4"

1 1/2"

1 1/2"



Horsepower with Vertical Wire Manager Elevation

Construction

Cable clips are die cast aluminum. Vertical wire manger frames and covers are formed steel.

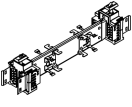
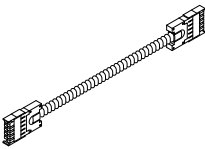
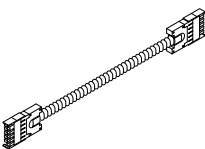
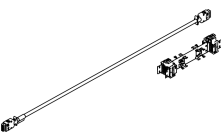
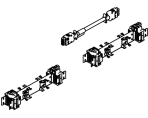
Hardwired Outlet box is black ABS and mounting bracket is painted steel.

Specification Options

Cable clips are medium grey. Vertical wire managers may be specified in any Knoll Core paint finish, Dark Red, Slate Blue or Black Wrinkle.

Electrical Components for Horsepower

2 + 2, 3 + 3 and 4-4-2 Electrical Systems

description	type	w	d	h	pattern no.	list
	2+2, (2) Duplex Outlets per Side	12"	2"	2"	YRPHE12	\$204.
	2+2, (4) Duplex Outlets per Side	24"	2"	2"	YRPHE24	370.
	3+3, (2) Duplex Outlets per Side	12"	2"	2"	YRPHT12	231.
	3+3, (4) Duplex Outlets per Side	24"	2"	2"	YRPHT24	444.
	4-4-2, (4) Duplex Outlets per Side	24"	2"	2"	YRPHX24	466.
	For 12" between power harnesses	12"	1"	1"	YR1EJ12	119.
	For 18" between power harnesses	18"	1"	1"	YR1EJ18	128.
	For 24" between power harnesses	24"	1"	1"	YR1EJ24	135.
	For 48" between power harnesses	48"	1"	1"	YR1EJ48	177.
	For 54" between power harnesses	54"	1"	1"	YR1EJ54	183.
	For 60" between power harnesses	60"	1"	1"	YR1EJ60	196.
	For 72" between power harnesses	72"	1"	1"	YR1EJ72	213.
	For 84" between power harnesses	84"	1"	1"	YR1EJ84	234.
	For 96" between power harnesses	96"	1"	1"	YR1EJ96	254.
	For 12" between power harnesses	12"	1"	1"	YR1TJ12	153.
	For 18" between power harnesses	18"	1"	1"	YR1TJ18	166.
	For 24" between power harnesses	24"	1"	1"	YR1TJ24	177.
	For 48" between power harnesses	48"	1"	1"	YR1TJ48	229.
	For 54" between power harnesses	54"	1"	1"	YR1TJ54	236.
	For 60" between power harnesses	60"	1"	1"	YR1TJ60	254.
	For 72" between power harnesses	72"	1"	1"	YR1TJ72	276.
	For 84" between power harnesses	84"	1"	1"	YR1TJ84	307.
	For 96" between power harnesses	96"	1"	1"	YR1TJ96	331.
	2+2, For 60"W Horsepower Beam	60"	2"	2"	YHP1HEK160	380.
	2+2, For 66"W Horsepower Beam	66"	2"	2"	YHP1HEK166	386.
	2+2, For 72"W Horsepower Beam	72"	2"	2"	YHP1HEK172	397.
	3+3, For 60"W Horsepower Beam	60"	2"	2"	YHP1HTK160	462.
	3+3, For 66"W Horsepower Beam	66"	2"	2"	YHP1HTK166	470.
	3+3, For 72"W Horsepower Beam	72"	2"	2"	YHP1HTK172	485.
	2+2, For 60"W Horsepower Beam	36"	2"	2"	YHP1HEK260	524.
	2+2, For 66"W Horsepower Beam	42"	2"	2"	YHP1HEK266	535.
	2+2, For 72"W Horsepower Beam	48"	2"	2"	YHP1HEK272	543.
	3+3, For 60"W Horsepower Beam	36"	2"	2"	YHP1HTK260	616.
	3+3, For 66"W Horsepower Beam	42"	2"	2"	YHP1HTK266	630.
	3+3, For 72"W Horsepower Beam	48"	2"	2"	YHP1HTK272	641.

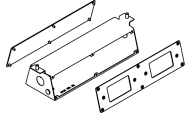
Horsepower

Ordering Information	Order Code	Included With	Options
Single Power Harness Kit 1. Pattern Number	Single Power Harness Kit <i>Example:</i> YHP1HEK160 YHP1HE Power Harness 1 Single Harness 60 For 60"W Beam	Single Power Harness Kit 12" Harness Jumper to 12" harness in same position in the next Double Power Harness Kit Two 12" Harnesses Jumper between Harnesses in same position	Single Power Harness Kit

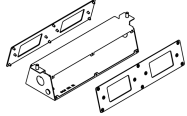
Electrical Components for Horsepower

2 + 2, 3 + 3 and 4-4-2 Electrical Systems

description	type	w	d	h	pattern no.	list
Hardwire Outlet Box for City of Chicago, Outlets One Side	For 36", 60", 66" and 72"W Horsepower Beam	12"	3 3/4"	2 2/3"	YHP2HOK1	\$733.
	For 48"W Horsepower Beam	24"	3 3/4"	2 2/3"	YHP2HOK148	967.



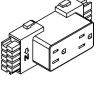
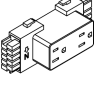
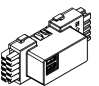
Hardwire Outlet Box for City of Chicago, Outlets Two Sides	For 36", 60", 66", and 72"W Horsepower Beam	12"	3 3/4"	2 2/3"	YHP2HOK2	749.
	For 48"W Horsepower Beam	24"	3 3/4"	2 2/3"	YHP2HOK248	1,030.



Ordering Information	Order Code	Included With	Options
Single Power Harness Kit	Single Power Harness Kit	Single Power Harness Kit	Single Power Harness Kit
1. Pattern Number	<i>Example:</i> YHP1HEK160	12" Harness	
	YHP1HE Power Harness	Jumper to 12" harness in same position in the next	
	1 Single Harness	Double Power Harness Kit	
	60 For 60"W Beam	Two 12" Harnesses	
		Jumper between Harnesses in same position	

Electrical Components for Horsepower

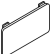
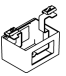
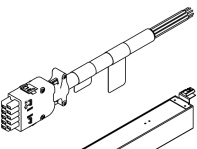
2 + 2, 3 + 3 and 4-4-2 Electrical Systems

description	type	w	d	h	pattern no.	list
Duplex Receptacles, Extended Face for Use With Horsepower 	Circuit A, black	1 1/2"	2"	4 1/2"	YR1XDA	\$52.
	Circuit A, black with controlled symbol	1 1/2"	2"	4 1/2"	YR1XDAC	52.
	Circuit B, black	1 1/2"	2"	4 1/2"	YR1XDB	52.
	Circuit B, black with controlled symbol	1 1/2"	2"	4 1/2"	YR1XDBC	52.
	Circuit C, black	1 1/2"	2"	4 1/2"	YR1XDC	52.
	Circuit C, black with controlled symbol	1 1/2"	2"	4 1/2"	YR1XDCC	52.
	Circuit O, orange	1 1/2"	2"	4 1/2"	YR1XDYO	52.
	Circuit X, black	1 1/2"	2"	4 1/2"	YR1XDX	52.
	Circuit X, black with controlled symbol	1 1/2"	2"	4 1/2"	YR1XDXC	52.
	Circuit X, black with orange triangle	1 1/2"	2"	4 1/2"	YR1XDXT	52.
	Circuit X, orange	1 1/2"	2"	4 1/2"	YR1XD XO	52.
	Circuit Y, black	1 1/2"	2"	4 1/2"	YR1XDY	52.
	Circuit Y, black with controlled symbol	1 1/2"	2"	4 1/2"	YR1XDYC	52.
	Circuit Y, black with orange triangle	1 1/2"	2"	4 1/2"	YR1XDYT	52.
	Circuit Z, black	1 1/2"	2"	4 1/2"	YR1XDZ	52.
	Circuit Z, black with controlled symbol	1 1/2"	2"	4 1/2"	YR1XDZC	52.
	Circuit Z, black with orange triangle	1 1/2"	2"	4 1/2"	YR1XDZT	52.
Circuit Z, orange	1 1/2"	2"	4 1/2"	YR1XDZO	52.	
Duplex Receptacles, Extended Face For Use With 4-4-2 Electrical System 	Circuit 1, black	1 1/2"	2"	4 1/2"	YR1XD1	54.
	Circuit 1, black with controlled symbol	1 1/2"	2"	4 1/2"	YR1XD1C	54.
	Circuit 2, black	1 1/2"	2"	4 1/2"	YR1XD2	54.
	Circuit 2, black with controlled symbol	1 1/2"	2"	4 1/2"	YR1XD2C	54.
	Circuit 3, black	1 1/2"	2"	4 1/2"	YR1XD3	54.
	Circuit 3, black with controlled symbol	1 1/2"	2"	4 1/2"	YR1XD3C	54.
	Circuit 3, orange with black triangle	1 1/2"	2"	4 1/2"	YR1XD3O	54.
	Circuit 4, black	1 1/2"	2"	4 1/2"	YR1XD4	54.
	Circuit 4, black with controlled symbol	1 1/2"	2"	4 1/2"	YR1XD4C	54.
	Circuit 4, orange with black triangle	1 1/2"	2"	4 1/2"	YR1XD4O	54.
USB Duplex, Extended Face For Use With Horsepower 	Circuit A, black	1 1/2"	2"	4 1/2"	YR1XUSBA	216.
	Circuit B, black	1 1/2"	2"	4 1/2"	YR1XUSBB	216.
	Circuit C, black	1 1/2"	2"	4 1/2"	YR1XUSBC	216.
	Circuit X, black	1 1/2"	2"	4 1/2"	YR1XUSBX	216.
	Circuit Y, black	1 1/2"	2"	4 1/2"	YR1XUSBY	216.
	Circuit Z, black	1 1/2"	2"	4 1/2"	YR1XUSBZ	216.

Horsepower

Ordering Information	Order Code	Included With	Options
Electrical Components	Electrical Components	Power Harness	Electrical Components
1. Pattern Number	<i>Example:</i> YRPHT12	Horsepower Beam Attachment	
	YHPHT Power Harness		
	12 Width		

Electrical Components for Horsepower 2 + 2, 3 + 3 and 4-4-2 Electrical Systems


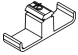
description	type	w	d	h	pattern no.	list
Outlet Fillers 	Package of 10	1 1/2"	2"	2 1/2"	YHP1OF	\$44.
Horsepower Communication Box 	Below Horsepower Beam	5 1/8"	3"	3 3/8"	YHP1CMB	166.
Infeeds 	2 + 2 Hardwire Infeed for New York City	85"	2 1/8"	2 3/8"	YR1EPNY	495.
	2 + 2 Modular Base Infeed	85"	2 1/8"	2 3/8"	YR1EDPI	225.
	3 + 3 Hardwire Infeed for New York City	85"	2 1/8"	2 3/8"	YR1TPNY	521.
	3 + 3 Modular Base Infeed	85"	2 1/8"	2 3/8"	YR1TDPI	261.
	4-4-2 Hardwire Infeed for New York City	85"	2 1/8"	2 3/8"	YR1XPNY	548.
	4-4-2 Modular Base Infeed	85"	2 1/8"	2 3/8"	YR1XDPI	272.

Ordering Information	Order Code	Included With	Options
Electrical Components 1. Pattern Number	Electrical Components <i>Example:</i> YRPHT12 YHPHT Power Harness 12 Width	Power Harness Horsepower Beam Attachment	Electrical Components

Electrical Components for Horsepower

2 + 2 and 3 + 3 Electrical Systems

Cable Management

description	type	w	d	h	pattern no.	list
 Vertical Infeed/Wire Manager	For 25"H Horsepower	3"	1 2/3"	18"	YHP1VWM18	\$406.
	For 28 1/2"H Horsepower	3"	1 2/3"	21"	YHP1VWM21	412.
 Cable Cleats (kit of 10)	For under Horsepower beam channel	3 1/4"	1"	1"	YHP1BC	81.

Ordering Information	Order Code	Included With	Options
Electrical Components	Electrical Components	Power Harness	Electrical Components
1. Pattern Number	<i>Example:</i> YRPHT12	Horsepower Beam Attachment	
	YHPHT Power Harness		
	12 Width		

Horsepower Screens

Planning Guidelines and Specifications

Horsepower upmounted screens provide enclosure above 28½" high Linked Horsepower to a horizon of 42" or 49", which aligns with Antenna desk screens and other Antenna floorstanding components. Horsepower screens also mount to Independent Horsepower units 30"-72" wide to provide a mobile writable surface for collaborative spaces. Horsepower screens have wedge shape brackets to friction-fit into the beam at any point. Screens are available 30"-72" wide for corresponding Horsepower beam sizes.

Upmounted screens on Independent Horsepower require a lower shelf or cabinet with corresponding ballast kit.

Two types of screens are available:

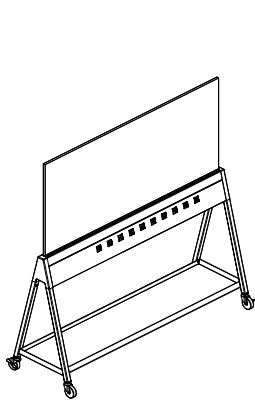
Frameless laminate or veneer screens are ½" MDF construction. Frameless glass screens are ½" tempered glass with polished edges.

Fabric screens have a ½" MDF core, with ⅜" thick tackable PET material inserts on each side wrapped in fabric, and aluminum perimeter frame with seamless corners.

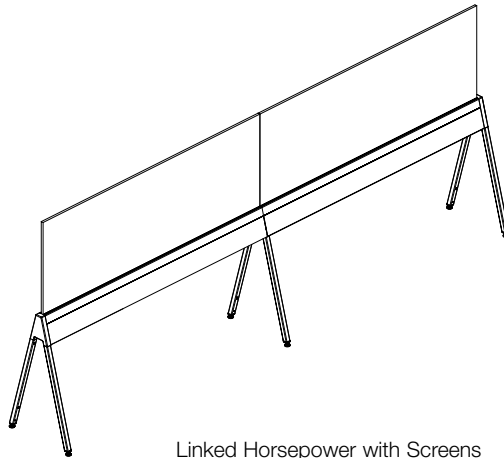
Specification Options

For frameless screens specify surface types: laminate (L) or veneer (V) or glass (G); finish, any core laminate or dry-erase marker surface (M), any core Techwood or natural veneer, or core glass finishes. Also, specify base frame color, in any core paint finish.

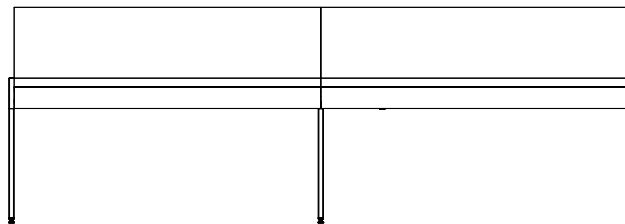
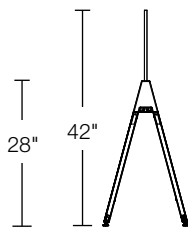
For fabric screens specify fabric, perimeter frame and brackets painted finishes.



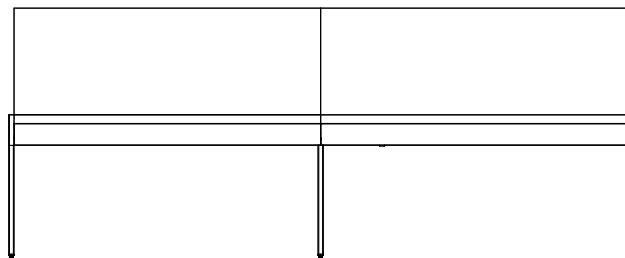
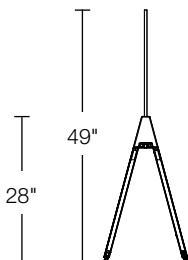
Independent Horsepower with Screens, Metal Shelf and Ballast



Linked Horsepower with Screens



Linked Horsepower with Screens, 42" Horizon

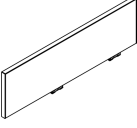
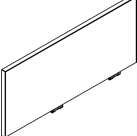


Linked Horsepower with Screens, 49" Horizon

Horsepower Screens

Fabric

42" and 49" High Horizon

description	w	d	h	pattern no.	10	20	30	40	45
Fabric Screens For Horsepower Beam, 42" High Horizon 	30"	1 1/4"	14"	YPSC1430F	\$641.	\$672.	\$703.	\$734.	\$766.
	36"	1 1/4"	14"	YPSC1436F	692.	727.	760.	794.	830.
	48"	1 1/4"	14"	YPSC1448F	763.	801.	838.	877.	916.
	60"	1 1/4"	14"	YPSC1460F	808.	850.	889.	931.	970.
	66"	1 1/4"	14"	YPSC1466FRR	856.	898.	940.	984.	1,028.
	72"	1 1/4"	14"	YPSC1472FRR	901.	944.	990.	1,036.	1,081.
Fabric Screens For Horsepower Beam, 49" High Horizon 	30"	1 1/4"	21"	YPSC2130F	710.	747.	783.	820.	854.
	36"	1 1/4"	21"	YPSC2136F	808.	850.	889.	931.	970.
	48"	1 1/4"	21"	YPSC2148F	874.	918.	961.	1,006.	1,047.
	60"	1 1/4"	21"	YPSC2160F	953.	999.	1,046.	1,096.	1,142.
	66"	1 1/4"	21"	YPSC2166FRR	1,032.	1,083.	1,134.	1,184.	1,238.
	72"	1 1/4"	21"	YPSC2172FRR	1,083.	1,137.	1,192.	1,247.	1,299.


Horsepower

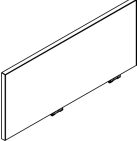
Ordering Information	Order Code	Included With	Options
Horsepower Screens 1. Pattern Number 2. Fabric Finish 3. Frame Paint Finish	Horsepower Screens <i>Example:</i> YPSC1448F, W1077, 118T YPSC Horsepower Screen 14 Height 48 Width F Fabric W1077 Element 118T Bright White Paint	Horsepower Screens Brackets Hardware	Horsepower Screens The price of screens specified with a combination of fabrics is the higher of the two fabric grades. (RR) Fabric is applied railroaded

Horsepower Screens

Laminate, Markerboard or Veneer or Glass

For 42" and 49" High Horizon

description	w	d	h	pattern no.	Laminate (L)	Markerboard (LM)	V1 (V)	V2 (V)	V3 (V)	Clear Glass (GTEMP)	Powder Glass (GGL13)	Grey Tinted Glass (GGL35)
Screens For Horsepower Beam, 42" High Horizon 	30"	1/2"	14"	YPSC1430()	\$242.	\$326.	\$614.	\$744.	\$997.	\$400.	\$618.	\$786.
	36"	1/2"	14"	YPSC1436()	270.	416.	636.	780.	1,081.	452.	719.	919.
	48"	1/2"	14"	YPSC1448()	382.	703.	699.	875.	1,274.	589.	939.	1,210.
	60"	1/2"	14"	YPSC1460()	420.	735.	797.	1,007.	1,505.	716.	1,159.	1,496.
	66"	1/2"	14"	YPSC1466()	440.	750.	833.	1,058.	1,609.	788.	1,278.	1,652.
	72"	1/2"	14"	YPSC1472()	457.	759.	861.	1,100.	1,693.	849.	1,377.	1,779.

Screens For Horsepower Beam, 49" High Horizon 	30"	1/2"	21"	YPSC2130()	270.	416.	652.	817.	1,175.	483.	785.	1,069.
	36"	1/2"	21"	YPSC2136()	309.	549.	682.	868.	1,299.	553.	916.	1,258.
	48"	1/2"	21"	YPSC2148()	386.	964.	779.	1,010.	1,585.	710.	1,196.	1,652.
	60"	1/2"	21"	YPSC2160()	490.	999.	870.	1,150.	1,863.	868.	1,475.	2,045.
	66"	1/2"	21"	YPSC2166()	513.	1,014.	922.	1,226.	2,011.	957.	1,629.	2,262.
	72"	1/2"	21"	YPSC2172()	530.	1,029.	964.	1,291.	2,135.	1,029.	1,754.	2,437.

Ordering Information

Horsepower Screens

1. Pattern Number
2. Surface Finish
3. Bracket Paint Finish

Order Code

Horsepower Screens

Example: **YPSC1448V, 006B, 118T**

YPSC	Horsepower Screen
14	Height
48	Width
V	Veneer
006B	Maple
118T	Bright White Paint

Included With

Horsepower Screens

Brackets
Hardware

Options

Horsepower Screens

Finish Options:

(L) = Laminate
(LM) = Markerboard
(V) = Veneer
(GTEMP) = Clear Glass
(GGL13) = Powder Glass
(GGL35) = Grey Tinted Glass

Horsepower Saddles

Planning Guidelines and Specifications

Horsepower Saddles mount onto Linked Horsepower beams to provide a convenient perch in community spaces, lounge areas, cafés and public lobbies to sit and recharge. Saddles also mount onto Independent Horsepower on glides.

Saddles mounted to Horsepower beams support a static load of 100lbs per linear foot.

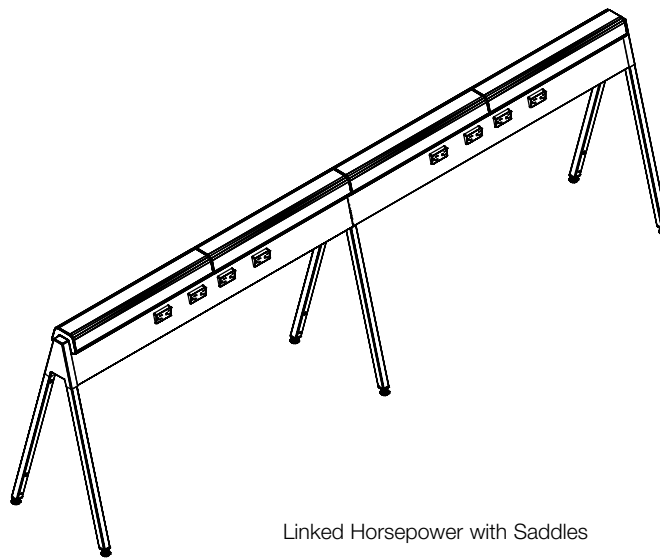
Saddles are available in 24", 30" and 36" wide.

Construction

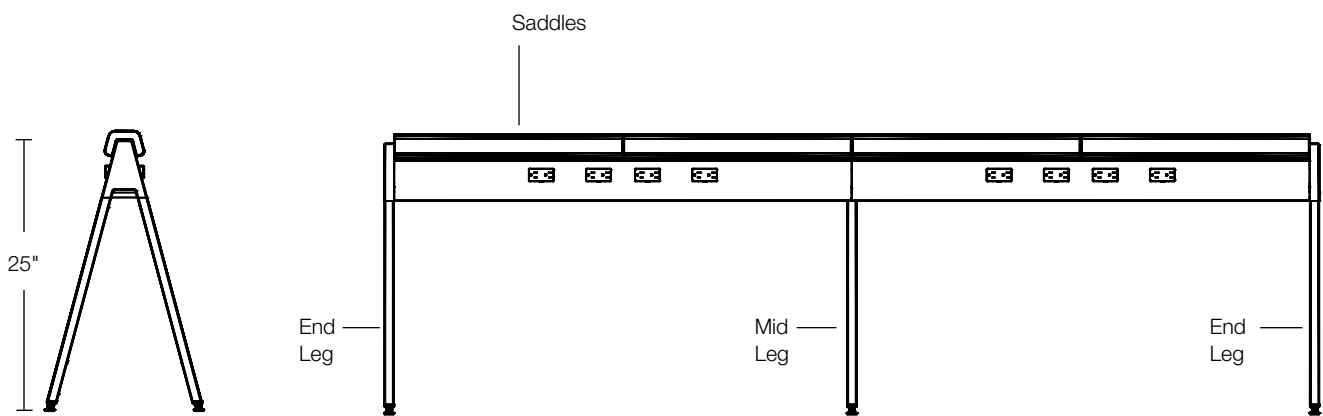
Horsepower Saddles are a durable self-skinning urethane foam attaching with hook and loop to an ABS mounting block.

Specification Options

Saddles default black.



Linked Horsepower with Saddles




25" High Linked Horsepower with Saddle End Elevation

Linked Horsepower with Saddles

Horsepower Saddles

24", 30" and 36" Wide

description	type	w	d	h	pattern no.	list
 Horsepower Saddle	For 24" Horsepower Beam	24"	4 1/4"	2 3/4"	YHP1AS24	\$412.
	For 30" Horsepower Beam	30"	4 1/4"	2 3/4"	YHP1AS30	453.
	For 36" Horsepower Beam	36"	4 1/4"	2 3/4"	YHP1AS36	512.

Ordering Information

Horsepower Saddle

1. Pattern Number

Order Code

Horsepower Saddle

Example: **YHP1AS36**

YHP1AS Horsepower Saddle

36 Width

Included With

Horsepower Saddle
Attachment Hardware

Options

Horsepower Saddle

Horsepower Upmounted Shelves

Planning Guidelines and Specifications

Over Counters

Horsepower Track Shaped Over Counters mount directly above an Independent Horsepower beam to offer a small shelf for personal devices while charging. Counters are available in 8"D and are 9" wider than the corresponding Independent Horsepower width in a 3/4" thick laminate or veneer surface.

Upmounted Platforms

Horsepower Upmounted Platforms are a rectangular laminate or veneer surface that mounts on stanchions on the beam of Linked Horsepower.

Platforms are 12"D, and centered over the Horsepower Beam, in widths of 36", 48", 60", 66" and 72".

Platforms 36" and 48" wide have two stanchion supports and platforms 60", 66" and 72" wide have three stanchion supports.

Platform support stanchions lift top of platforms to 34 1/2" above the floor.

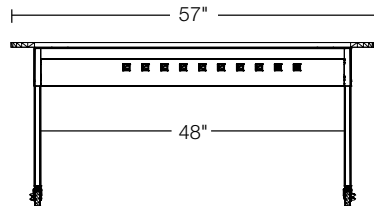
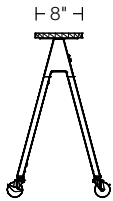
Construction

Counters and Platforms are solid 3/4" thick MDF with laminate top and bottom and matching ABS edge or veneer on all surfaces. Threaded inserts are positioned over mounting brackets.

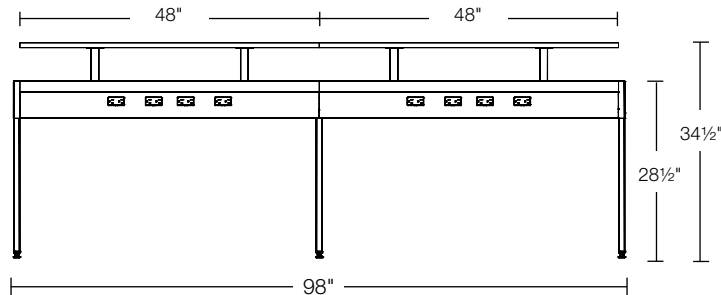
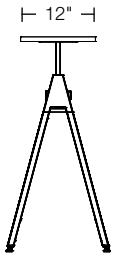
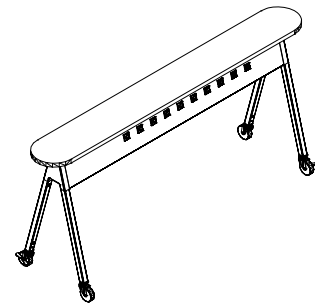
Counter mounting brackets are cast aluminum. Platform stanchions are extruded aluminum, with cast adapters specific to Horsepower. Top plate connector is steel.

Specification Options

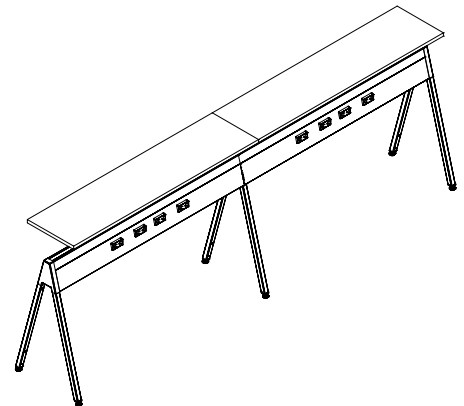
Specify either a laminate (L) or veneer (V) surface. Surface finish is available in any Knoll Core laminate or veneer finish. Counter or Platform support brackets are available in any Knoll Core paint finish, Dark Red or Slate Blue.



Independent Horsepower with Over Counter

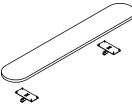
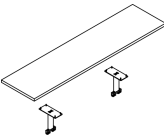
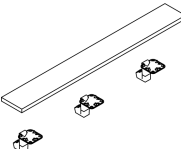


Linked Horsepower with Upmounted Platforms



Horsepower

Horsepower Upmounted Shelves Over Counters and Upmounted Platforms

description	w	d	h	pattern no.	Laminate (L)	V1 (V)	V2 (V)	V3 (V)
 <p>Horsepower Over Counter</p>	24"	8"	3/4"	YHP1AP2408()	\$407.	\$678.	\$746.	\$955.
	30"	8"	3/4"	YHP1AP3008()	422.	723.	796.	1,018.
	36"	8"	3/4"	YHP1AP3608()	438.	731.	804.	1,031.
	48"	8"	3/4"	YHP1AP4808()	448.	739.	813.	1,041.
 <p>Horsepower Upmounted Platform</p>	36"	12"	3/4"	YHP1UP3612()	438.	731.	804.	1,031.
	48"	12"	3/4"	YHP1UP4812()	448.	739.	813.	1,041.
	60"	12"	3/4"	YHP1UP6012()	665.	944.	1,039.	1,330.
	66"	12"	3/4"	YHP1UP6612()	676.	960.	1,056.	1,351.
	72"	12"	3/4"	YHP1UP7212()	686.	974.	1,071.	1,372.
 <p>Horsepower Display Shelf</p>	36"	7 1/2"	3/4"	YHP1DP3608L()	375.	578.	641.	781.
	48"	7 1/2"	3/4"	YHP1DP4808L()	391.	593.	656.	797.
	60"	7 1/2"	3/4"	YHP1DP6008L()	533.	741.	812.	973.
	66"	7 1/2"	3/4"	YHP1DP6608L()	539.	750.	822.	986.
	72"	7 1/2"	3/4"	YHP1DP7208L()	549.	759.	832.	998.

Ordering Information

Horsepower Over Counter

1. Pattern Number
2. Surface Finish
3. Bracket Finish

Order Code

Horsepower Over Counter

Example: **YHP1AP3008L, 118, 118T**

YHP1AP	Horsepower Over Counter
30	Width
8	Depth
L	Laminate
118	Bright White Laminate
118T	Bright White paint

Included With

Horsepower Over Counter

Brackets
Hardware

Options

Horsepower Over Counter

Finish Options:
(L) = Laminate
(V) = Veneer

Horsepower Suspended Wood Cabinets and Shelves

Horsepower horizontal wood cabinets and shelves mount between two legs on either Independent Horsepower or Linked Horsepower to provide lower storage that supports and defines workstations, offices or activity spaces. Cabinets and shelves are available for either 25" or 28½" high Horsepower.

Horsepower horizontal wood cabinets for 25" high Horsepower are 13"H x 13"D, with 11½" clear interior height. Cabinets for 28½" high Horsepower are 15"H x 15"D, with 13½" clear interior height for binder storage. Cabinet sides, top and bottom are ¾" thick, in laminate or veneer, or a combination of laminates. Cabinets and shelves 48" or wider include a painted stiffener to reinforce the bottom shelf that mounts centered on the underside of the case into metal inserts.

Horsepower Mounting Kits

Horsepower cabinet mounting brackets attach to the inside face of End Legs or Mid Legs to support all four corners of a wood cabinet or shelf. End Bracket Mounting Kits include four brackets (two lefts and two rights) to support all four corners of a single wood cabinet or shelf, not adjacent to another cabinet or shelf.

Mid Bracket Mounting Kits include two non-handed shared brackets that support four corners of two adjacent cabinets at the mid leg. If specifying a continuous run of cabinets for Linked Horsepower, specify one End Bracket Mounting Kit in addition to one Mid Bracket Mounting Kit for every joint between adjacent cabinets.

Horsepower Suspended Open Wood Cabinets

Open cabinets are available in three configurations: open shelf with center gable, open shelf with enclosed back and shared open front with enclosed back. Open horizontal cabinets are available in 24", 30", 36", 48", 60", 66" and 72" widths, and shared open cabinets are available in 48", 60", 66" and 72" widths.

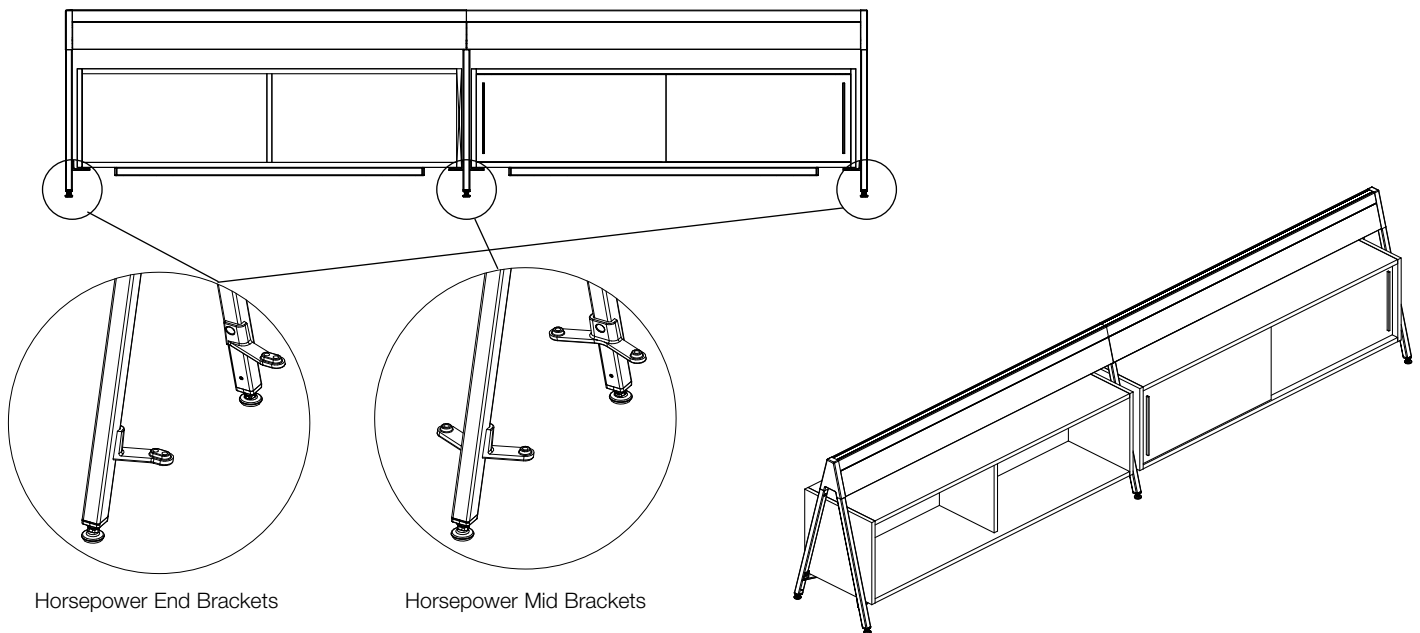
Open shelf cabinets have a center partition parallel to the open front and back that provides structural support and serves to filter sightlines through the cabinet. Cabinets 24"-36" have a 6" wide center panel, cabinets 48" and wider have a 12" center panel. Support panel and all interior surfaces can be specified in a different laminate than exterior surfaces.

Open shelf with enclosed back includes a full back, recessed ½" for optional fabric insert, specified separately. Both sides of recessed backs are considered interior surfaces, if specifying two-tone laminate finishes.

Shared open front with enclosed back cabinets include flush backs. The exterior face of flush backs will match the exterior core laminate finish.

Horsepower Suspended Wood Shelf

Horsepower horizontal wood shelves mount between two legs to provide a lower display shelf. Wood shelves include 4" high side gables on either end. Horsepower wood shelves are 13"D for 25" high Horsepower or 15"D for 28½" high Horsepower. Horsepower wood shelves are available in 24", 30", 36", 48", 60", 66" and 72" widths. The exterior surfaces include the inside of side gables and top of shelf.



Linked Horsepower with Open Cabinet and Sliding Door Cabinet

Horsepower Suspended Enclosed Wood Cabinets

Horsepower horizontal enclosed wood cabinets are available in two configurations: sliding door cabinet case with overlapping sliding doors or shared sliding door cabinets. All enclosed horizontal cabinets are available in 48", 60", 66" and 72" widths.

Sliding door cabinets with overlapping sliding doors have two half-width doors, in laminate or veneer surface and a full back, recessed 1/2" for optional fabric insert, specified separately. Sliding door cabinets include a center partition for structure.

Shared sliding door cabinets have a sliding door on each face overlapping the recessed back of the cabinet facing the other side. Cabinets can be specified with both opening on the left or both on the right.

Enclosed Horsepower cabinets can be specified in all laminate or veneer or mixed surface laminate: all interior surfaces of laminate cabinet can be specified in a contrasting core or accent laminate. Partition and inset back are considered interior surfaces on both faces.

Horsepower Counterweight Kits

Upmounted screens or monitors on Independent Horsepower require a lower shelf or cabinet with corresponding ballast kit. Ballast kits include a pair of flat steel counterweights that mount to the underside of the cabinet case or shelf with machine screws and metal inserts. Ballast kits are available for 30", 36" and 48" wide wood cabinets and shelves.

Construction

Case is composed of 3/4" thick wood panels, with discreet glue-and-dowel connections.

Case mounting brackets are cast aluminum. Cabinet stiffeners are 1 1/4" square steel tube. Stiffener end caps are die cast aluminum.

Specification Options

Specify laminate (L), "mixed" two-tone laminate (L) or veneer (V) case.

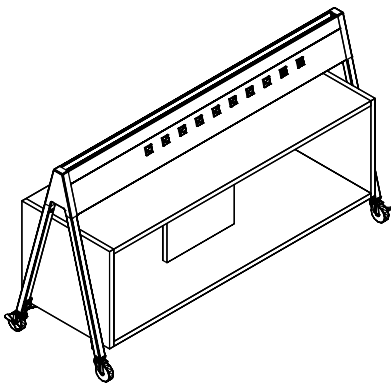
Case finish exterior is available in any Knoll core laminate or veneer. When the case exterior is laminate, case interior and inset back are available in any Knoll Core or Accent laminate. When an Accent laminate is specified, the edgeband will match the exterior core laminate finish.

Cabinet stiffeners and mounting brackets (specified separately) are available in any Knoll Core paint finish, Dark Red, Slate Blue or Black Wrinkle.

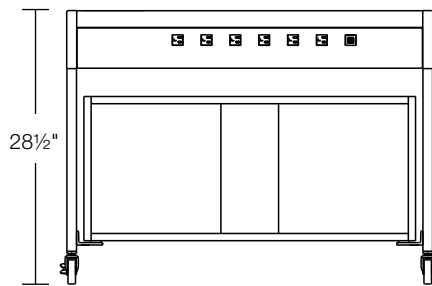
Door sets are specified separately to enable any combination of wood or laminate case and doors. Specify door front sets in any Knoll Core laminate (L) or veneer (V).

Pulls and mounting brackets are available in any Knoll Core paint finish, Dark Red or Slate Blue.

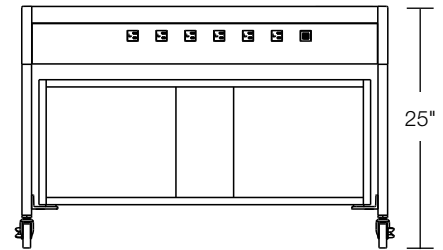
Counterweights are painted black.



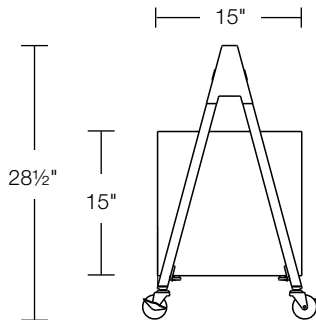
Independent Horsepower with Cabinet



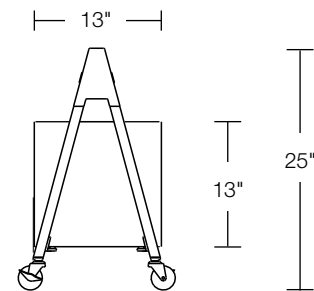
28 1/2" High Independent Horsepower with Wood Cabinet Side Elevation



25" High Independent Horsepower with Wood Cabinets Side Elevation



28 1/2" High Independent Horsepower with Wood Cabinet End Elevation

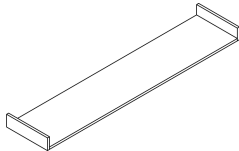


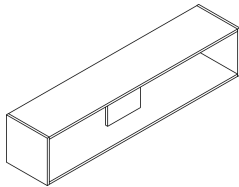
25" High Independent Horsepower with Wood Cabinet End Elevation

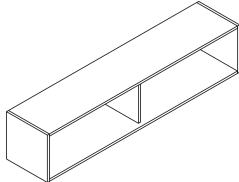
Horsepower Wood Cabinets

For 25"H Horsepower

Open Cabinets and Shelves

description	w	d	h	pattern no.	All Same	Different	Different	V1	V2	V3
					Laminate (Core Lam.) (L)	Laminate Case/ Interior (Core Lam.) (L)	Laminate Case/Interior (Accent Lam.) (L)			
Horsepower Wood Shelf, For 25"H Horsepower 	24"	13"	4"	YHP1SWS2425()	\$603.	n/a	n/a	\$1,095.	\$1,330.	\$1,647.
	24"	13"	4"	YHP1SWS3025()	619.	n/a	n/a	1,110.	1,346.	1,663.
	36"	13"	4"	YHP1SWS3625()	633.	n/a	n/a	1,125.	1,360.	1,679.
	48"	13"	4"	YHP1SWS4825()	775.	n/a	n/a	1,273.	1,525.	1,861.
	60"	13"	4"	YHP1SWS6025()	1,259.	n/a	n/a	1,776.	2,104.	2,540.
	66"	13"	4"	YHP1SWS6625()	1,411.	n/a	n/a	1,933.	2,284.	2,752.
	72"	13"	4"	YHP1SWS7225()	1,467.	n/a	n/a	1,949.	2,302.	2,772.

Horsepower Open Shelf with Center Partition, For 25"H Horsepower 	24"	13"	13"	YHP1SOS2425()	900.	1,008.	1,383.	1,383.	1,619.	2,159.
	30"	13"	13"	YHP1SOS3025()	976.	1,084.	1,459.	1,459.	1,695.	2,235.
	36"	13"	13"	YHP1SOS3625()	1,076.	1,186.	1,560.	1,560.	1,797.	2,336.
	48"	13"	13"	YHP1SOS4825()	1,270.	1,390.	1,739.	1,739.	1,988.	2,563.
	60"	13"	13"	YHP1SOS6025()	1,591.	1,740.	2,178.	2,178.	2,490.	2,848.
	66"	13"	13"	YHP1SOS6625()	1,669.	1,811.	2,258.	2,258.	2,583.	3,148.
	72"	13"	13"	YHP1SOS7225()	1,717.	1,879.	2,338.	2,338.	2,674.	3,447.

Horsepower Open Cabinet with Enclosed Back, For 25"H Horsepower 	24"	13"	13"	YHP1SOE2425()	1,080.	1,206.	1,540.	1,540.	1,799.	2,391.
	30"	13"	13"	YHP1SOE3025()	1,155.	1,282.	1,616.	1,616.	1,875.	2,467.
	36"	13"	13"	YHP1SOE3625()	1,257.	1,384.	1,717.	1,717.	1,976.	2,568.
	48"	13"	13"	YHP1SOE4825()	1,508.	1,653.	2,051.	2,051.	2,346.	3,028.
	60"	13"	13"	YHP1SOE6025()	1,736.	1,949.	2,751.	2,751.	3,232.	3,928.
	66"	13"	13"	YHP1SOE6625()	1,787.	2,001.	2,804.	2,804.	3,285.	4,035.
	72"	13"	13"	YHP1SOE7225()	1,842.	2,056.	2,858.	2,858.	3,339.	4,088.

Horsepower

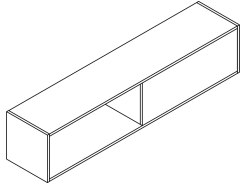
Ordering Information	Order Code	Included With	Options
Horsepower Open Shelf with Center Partition 1. Pattern Number 2. Exterior Case Finish 3. Interior Case Finish (Laminate only) 4. Stiffener Paint Finish	Horsepower Open Shelf with Center Partition <i>Example:</i> YHP1SOS6025L, 118, 118, 118T YHP1S Horsepower Storage OS Open Shelf 60 Width 25 For 25"H Horsepower L Laminate 118 Bright White Laminate 118 Bright White Laminate 118T Bright White Paint	Horsepower Open Shelf with Center Partition Cabinets 48"W or wider include a stiffener	Horsepower Open Shelf with Center Partition Case Finish Options: (L) = All the same or different laminates for the exterior and interior case (V) = All the same veneer for the exterior and interior case

Horsepower Wood Cabinets

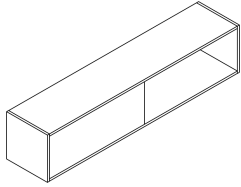
For 25"H Horsepower

Shared Open Cabinets

description	w	d	h	pattern no.	All Same	Different	Different	V1	V2	V3
					Laminate (Core Lam.) (L)	Laminate Case/ Interior (Core Lam.) (L)	Laminate Case/Interior (Accent Lam.) (L)			
Horsepower Shared Open	48"	13"	13"	YHP1SOEL4825()	\$1,568.	\$1,717.	\$2,389.	\$2,389.	\$2,736.	\$3,534.
Front with Enclosed Back, Open on Left, For 25"H Horsepower	60"	13"	13"	YHP1SOEL6025()	1,650.	1,806.	2,555.	2,555.	2,923.	3,771.
	66"	13"	13"	YHP1SOEL6625()	1,713.	1,875.	2,608.	2,608.	2,984.	3,850.
	72"	13"	13"	YHP1SOEL7225()	1,775.	1,944.	2,660.	2,660.	3,044.	3,927.



Horsepower Shared Open	48"	13"	13"	YHP1SOER4825()	1,568.	1,717.	2,389.	2,389.	2,736.	3,534.
Front with Enclosed Back, Open on Right, For 25"H Horsepower	60"	13"	13"	YHP1SOER6025()	1,650.	1,806.	2,555.	2,555.	2,923.	3,771.
	66"	13"	13"	YHP1SOER6625()	1,713.	1,875.	2,608.	2,608.	2,984.	3,850.
	72"	13"	13"	YHP1SOER7225()	1,775.	1,944.	2,660.	2,660.	3,044.	3,927.



Ordering Information

Horsepower Shared Open Cabinets

1. Pattern Number
2. Exterior Case Finish
3. Interior Case Finish (Laminate only)
4. Stiffener Paint Finish

Order Code

Horsepower Shared Open Cabinet

Example: **YHP1SOER6025L, 118, 118, 118T**

YHP1S	Horsepower Storage
OER	Shared Open Cabinet, Open Right
60	Width
25	For 25"H Horsepower
L	Laminate
118	Bright White Laminate
118	Bright White Laminate
118T	Bright White Paint

Included With

Horsepower Shared Open Cabinet

Cabinets 48"W or wider include a stiffener

Options

Horsepower Shared Open Cabinet

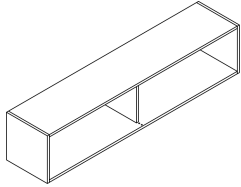
Case Finish Options:

(L) = All the same or different laminates for the exterior and interior case
 (V) = All the same veneer for the exterior and interior case

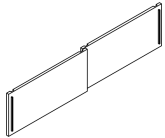
Horsepower Wood Cabinets

For 25"H Horsepower Sliding Door Cabinets

description	w	d	h	pattern no.	All Same	Different	Different	V1	V2	V3
					Laminate (Core Lam.) (L)	Laminate Case/ Interior (Core Lam.) (L)	Laminate Case/Interior (Accent Lam.) (L)			
Horsepower Sliding Door Cabinet Case, For 25"H Horsepower	48"	13"	13"	YHP1SSD4825()	\$1,816.	\$1,995.	\$2,894.	\$2,894.	\$3,324.	\$4,317.
	60"	13"	13"	YHP1SSD6025()	2,316.	2,545.	3,276.	3,276.	3,760.	4,874.
	66"	13"	13"	YHP1SSD6625()	2,380.	2,614.	3,398.	3,398.	3,900.	5,056.
	72"	13"	13"	YHP1SSD7225()	2,443.	2,681.	3,519.	3,519.	4,039.	5,236.



Sliding Door Set for Horsepower Sliding Door Cabinet Case, For 25"H Horsepower	w	d	h	pattern no.						
	48"	13"	13"	YHP1SDK4825()	750.	n/a	n/a	1,030.	1,185.	1,539.
	60"	13"	13"	YHP1SDK6025()	781.	n/a	n/a	1,090.	1,259.	1,640.
	66"	13"	13"	YHP1SDK6625()	822.	n/a	n/a	1,154.	1,327.	1,730.
	72"	13"	13"	YHP1SDK7225()	842.	n/a	n/a	1,187.	1,360.	1,772.



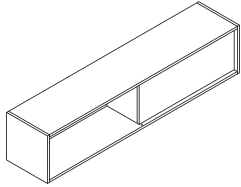
Horsepower

Ordering Information	Order Code	Included With	Options
Horsepower Sliding Door Cabinet Case 1. Pattern Number 2. Exterior Case Finish 3. Interior Case Finish (Laminate only) 4. Bracket Paint Finish Sliding Doors 1. Pattern Number 2. Laminate Finish 3. Pull Finish	Horsepower Sliding Door Cabinet Case <i>Example:</i> YHP1SSD6025L, 118, 118, 118T YHP1S Horsepower Storage SD Sliding Door Cabinet Case 60 Width 25 For 25"H Horsepower L Laminate 118 Bright White Laminate 118 Bright White Laminate 118T Bright White Paint <i>Example:</i> YHP1SDK60L, 118, 118T YHP1S Horsepower Storage DK Sliding Door Kit 60 Width L Laminate 118 Bright White Laminate 118T Bright White Paint	Horsepower Sliding Door Cabinet Case Cabinets 48"W or wider include a stiffener Sliding Doors Hardware	Horsepower Sliding Door Cabinet Case Case Finish Options: (L) = All the same or different laminates for the exterior and interior case (V) = All the same veneer for the exterior and interior case Sliding Doors Door Finish Options: (L) = Laminate (V) = Veneer Door pulls are available in Knoll core paints, Dark Red (130), and Slate Blue (131) paint finishes.

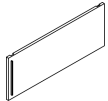
For 25"H Horsepower

Shared Sliding Door Cabinets with Opening on Left

description	w	d	h	pattern no.	All Same	Different	Different	V1	V2	V3
					Laminate (Core Lam.) (L)	Laminate Case/ Interior (Core Lam.) (L)	Laminate Case/Interior (Accent Lam.) (L)			
Horsepower Shared Sliding Door Cabinet Case, Opening on Left, For 25"H Horsepower	48"	13"	13"	YHP1SSDL4825()	\$1,869.	\$2,048.	\$2,947.	\$2,947.	\$3,377.	\$4,370.
	60"	13"	13"	YHP1SSDL6025()	2,369.	2,598.	3,328.	3,328.	3,813.	4,928.
	66"	13"	13"	YHP1SSDL6625()	2,433.	2,667.	3,451.	3,451.	3,953.	5,110.
	72"	13"	13"	YHP1SSDL7225()	2,495.	2,734.	3,572.	3,572.	4,092.	5,289.



Horsepower Shared Sliding Door Kit, Left, For 25"H Horsepower	48"	13"	13"	YHP1SDKL4825()	750.	n/a	n/a	1,030.	1,185.	1,539.
	60"	13"	13"	YHP1SDKL6025()	781.	n/a	n/a	1,090.	1,259.	1,640.
	66"	13"	13"	YHP1SDKL6625()	822.	n/a	n/a	1,154.	1,327.	1,730.
	72"	13"	13"	YHP1SDKL7225()	842.	n/a	n/a	1,187.	1,360.	1,772.



Ordering Information

Horsepower Sliding Door Cabinet Case

1. Pattern Number
2. Exterior Case Finish
3. Interior Case Finish (Laminate only)
4. Bracket Paint Finish

Sliding Doors

1. Pattern Number
2. Laminate Finish
3. Pull Finish

Order Code

Horsepower Sliding Door Cabinet Case

Example: **YHP1SSD6025L, 118, 118, 118T**

YHP1S	Horsepower Storage
SD	Sliding Door Cabinet Case
60	Width
25	For 25"H Horsepower
L	Laminate
118	Bright White Laminate
118	Bright White Laminate
118T	Bright White Paint

Example: **YHP1SDK60L, 118, 118T**

YHP1S	Horsepower Storage
DK	Sliding Door Kit
60	Width
L	Laminate
118	Bright White Laminate
118T	Bright White Paint

Included With

Horsepower Sliding Door Cabinet Case

Cabinets 48"W or wider include a stiffener

Sliding Doors

Hardware

Options

Horsepower Sliding Door Cabinet Case

Case Finish Options:

(L) = All the same or different laminates for the exterior and interior case
(V) = All the same veneer for the exterior and interior case

Sliding Doors

Door Finish Options:

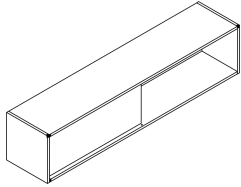
(L) = Laminate
(V) = Veneer

Door pulls are available in Knoll core paints, Dark Red (130), and Slate Blue (131) paint finishes.

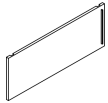
For 25"H Horsepower

Shared Sliding Door Cabinets with Opening on Right

description	w	d	h	pattern no.	All Same	Different	Different	V1	V2	V3
					Laminate (Core Lam.) (L)	Laminate Case/ Interior (Core Lam.) (L)	Laminate Case/Interior (Accent Lam.) (L)			
Horsepower Shared Sliding Door Cabinet Case, Opening on Right, For 25"H Horsepower	48"	13"	13"	YHP1SSDR4825()	\$1,869.	\$2,048.	\$2,947.	\$2,947.	\$3,377.	\$4,370.
	60"	13"	13"	YHP1SSDR6025()	2,369.	2,598.	3,328.	3,328.	3,813.	4,928.
	66"	13"	13"	YHP1SSDR6625()	2,433.	2,667.	3,451.	3,451.	3,953.	5,110.
	72"	13"	13"	YHP1SSDR7225()	2,495.	2,734.	3,572.	3,572.	4,092.	5,289.



Horsepower Shared Sliding Door Kit, Right, For 25"H Horsepower	48"	13"	13"	YHP1SDKR4825()	750.	n/a	n/a	1,030.	1,185.	1,539.
	60"	13"	13"	YHP1SDKR6025()	781.	n/a	n/a	1,090.	1,259.	1,640.
	66"	13"	13"	YHP1SDKR6625()	822.	n/a	n/a	1,154.	1,327.	1,730.
	72"	13"	13"	YHP1SDKR7225()	842.	n/a	n/a	1,187.	1,360.	1,772.

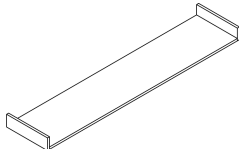


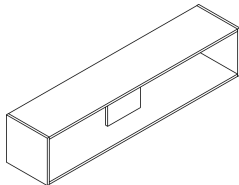
Ordering Information	Order Code	Included With	Options
Horsepower Sliding Door Cabinet Case 1. Pattern Number 2. Exterior Case Finish 3. Interior Case Finish (Laminate only) 4. Bracket Paint Finish Sliding Doors 1. Pattern Number 2. Laminate Finish 3. Pull Finish	Horsepower Sliding Door Cabinet Case <i>Example:</i> YHP1SSD6025L, 118, 118T YHP1S Horsepower Storage SD Sliding Door Cabinet Case 60 Width 25 For 25"H Horsepower L Laminate 118 Bright White Laminate 118 Bright White Laminate 118T Bright White Paint <i>Example:</i> YHP1SDK60L, 118, 118T YHP1S Horsepower Storage DK Sliding Door Kit 60 Width L Laminate 118 Bright White Laminate 118T Bright White Paint	Horsepower Sliding Door Cabinet Case Cabinets 48"W or wider include a stiffener Sliding Doors Hardware	Horsepower Sliding Door Cabinet Case Case Finish Options: (L) = All the same or different laminates for the exterior and interior case (V) = All the same veneer for the exterior and interior case Sliding Doors Door Finish Options: (L) = Laminate (V) = Veneer Door pulls are available in Knoll core paints, Dark Red (130), and Slate Blue (131) paint finishes.

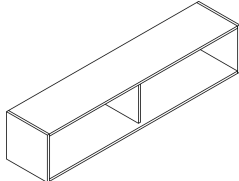
Horsepower Wood Cabinets

For 28.5"H Horsepower

Open Cabinets and Shelves

description	w	d	h	pattern no.	All Same	Different	Different	V1	V2	V3
					Laminate (Core Lam.) (L)	Laminate Case/ Interior (Core Lam.) (L)	Laminate Case/Interior (Accent Lam.) (L)			
Horsepower Wood Shelf, For 28.5"H Horsepower 	24"	15"	15"	YHP1SWS2428()	\$628.	n/a	n/a	\$1,140.	\$1,386.	\$1,716.
	24"	15"	15"	YHP1SWS3028()	644.	n/a	n/a	1,155.	1,402.	1,733.
	36"	15"	15"	YHP1SWS3628()	659.	n/a	n/a	1,172.	1,418.	1,748.
	48"	15"	15"	YHP1SWS4828()	807.	n/a	n/a	1,326.	1,588.	1,939.
	60"	15"	15"	YHP1SWS6028()	1,312.	n/a	n/a	1,850.	2,191.	2,646.
	66"	15"	15"	YHP1SWS6628()	1,471.	n/a	n/a	2,014.	2,380.	2,867.
	72"	15"	15"	YHP1SWS7228()	1,529.	n/a	n/a	2,030.	2,397.	2,887.

Horsepower Open Shelf with Center Partition, For 28.5"H Horsepower 	24"	15"	15"	YHP1SOS2428()	937.	1,050.	1,440.	1,440.	1,687.	2,248.
	30"	15"	15"	YHP1SOS3028()	1,016.	1,129.	1,520.	1,520.	1,766.	2,328.
	36"	15"	15"	YHP1SOS3628()	1,122.	1,236.	1,626.	1,626.	1,872.	2,434.
	48"	15"	15"	YHP1SOS4828()	1,323.	1,449.	1,812.	1,812.	2,071.	2,670.
	60"	15"	15"	YHP1SOS6028()	1,658.	1,813.	2,268.	2,268.	2,594.	2,966.
	66"	15"	15"	YHP1SOS6628()	1,739.	1,886.	2,352.	2,352.	2,690.	3,279.
	72"	15"	15"	YHP1SOS7228()	1,789.	1,957.	2,436.	2,436.	2,786.	3,590.

Horsepower Open Cabinet with Enclosed Back, For 28.5"H Horsepower 	24"	15"	15"	YHP1SOE2428()	1,125.	1,257.	1,605.	1,605.	1,874.	2,490.
	30"	15"	15"	YHP1SOE3028()	1,204.	1,336.	1,684.	1,684.	1,953.	2,570.
	36"	15"	15"	YHP1SOE3628()	1,310.	1,441.	1,789.	1,789.	2,058.	2,675.
	48"	15"	15"	YHP1SOE4828()	1,571.	1,721.	2,136.	2,136.	2,445.	3,155.
	60"	15"	15"	YHP1SOE6028()	1,808.	2,030.	2,866.	2,866.	3,368.	4,091.
	66"	15"	15"	YHP1SOE6628()	1,862.	2,085.	2,921.	2,921.	3,423.	4,204.
	72"	15"	15"	YHP1SOE7228()	1,919.	2,141.	2,976.	2,976.	3,479.	4,259.

Ordering Information

Horsepower Open Shelf with Center Partition

1. Pattern Number
2. Exterior Case Finish
3. Interior Case Finish (Laminate only)
4. Stiffener Paint Finish

Order Code

Horsepower Open Shelf with Center Partition

Example: **YHP1SOS6028L, 118, 118, 118T**

YHP1S	Horsepower Storage
OS	Open Shelf
60	Width
28	For 28.5"H Horsepower
L	Laminate
118	Bright White Laminate
118	Bright White Laminate
118T	Bright White Paint

Included With

Horsepower Open Shelf with Center Partition

Cabinets 48"W or wider include a stiffener

Options

Horsepower Open Shelf with Center Partition

Case Finish Options:

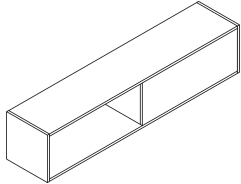
(L) = All the same or different laminates for the exterior and interior case
 (V) = All the same veneer for the exterior and interior case

Horsepower Wood Cabinets

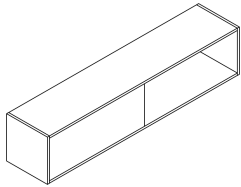
For 28.5"H Horsepower

Shared Open Cabinets

description	w	d	h	pattern no.	All Same	Different	Different	V1	V2	V3
					Laminate (Core Lam.) (L)	Laminate Case/ Interior (Core Lam.) (L)	Laminate Case/Interior (Accent Lam.) (L)			
Horsepower Shared Open	48"	15"	15"	YHP1SOEL4828()	\$1,634.	\$1,789.	\$2,488.	\$2,488.	\$2,851.	\$3,682.
Front with Enclosed Back, Open on Left, For	60"	15"	15"	YHP1SOEL6028()	1,719.	1,881.	2,662.	2,662.	3,044.	3,928.
28.5"H Horsepower	66"	15"	15"	YHP1SOEL6628()	1,785.	1,954.	2,718.	2,718.	3,109.	4,010.
	72"	15"	15"	YHP1SOEL7228()	1,849.	2,025.	2,771.	2,771.	3,171.	4,090.



Horsepower Shared Open	48"	15"	15"	YHP1SOER4828()	1,634.	1,789.	2,488.	2,488.	2,851.	3,682.
Front with Enclosed Back, Open on Right, For	60"	15"	15"	YHP1SOER6028()	1,719.	1,881.	2,662.	2,662.	3,044.	3,928.
28.5"H Horsepower	66"	15"	15"	YHP1SOER6628()	1,785.	1,954.	2,718.	2,718.	3,109.	4,010.
	72"	15"	15"	YHP1SOER7228()	1,849.	2,025.	2,771.	2,771.	3,171.	4,090.

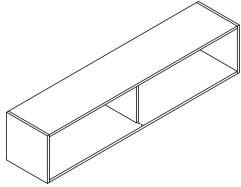


Ordering Information	Order Code	Included With	Options
Horsepower Shared Open Cabinet	Horsepower Shared Open Cabinet Partition	Horsepower Shared Open Cabinet	Horsepower Shared Open Cabinet
1. Pattern Number		Cabinets 48"W or wider include a stiffener	Case Finish Options:
2. Exterior Case Finish	<i>Example:</i> YHP1SOER6028L, 118, 118, 118T		(L) = All the same or different laminates for the exterior and interior case
3. Interior Case Finish (Laminate only)	YHP1S Horsepower Storage		(V) = All the same veneer for the exterior and interior case
4. Bracket Paint Finish	OER Shared Open Cabinet, Open Right		
	60 Width		
	28 For 28.5"H Horsepower		
	L Laminate		
	118 Bright White Laminate		
	118 Bright White Laminate		
	118T Bright White Paint		

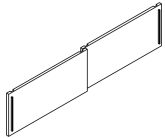
Horsepower Wood Cabinets

For 28.5"H Horsepower Sliding Door Cabinets

description	w	d	h	pattern no.	All Same	Different	Different	V1	V2	V3
					Laminate	Laminate	Laminate			
					(Core Lam.)	Case/	Case/Interior	(V)	(V)	(V)
					(L)	Interior	(Accent Lam.)	(L)		
					(L)	(Core Lam.)	(L)			
Horsepower Sliding Door Cabinet Case, For 28.5"H Horsepower	48"	15"	15"	YHP1SSD4828()	\$1,894.	\$2,081.	\$3,017.	\$3,017.	\$3,464.	\$4,499.
	60"	15"	15"	YHP1SSD6028()	2,415.	2,654.	3,414.	3,414.	3,920.	5,079.
	66"	15"	15"	YHP1SSD6628()	2,481.	2,726.	3,541.	3,541.	4,066.	5,270.
	72"	15"	15"	YHP1SSD7228()	2,546.	2,796.	3,668.	3,668.	4,211.	5,458.



Sliding Door Set for Horsepower Sliding Door Cabinet Case, For 28.5"H Horsepower	w	d	h	pattern no.						
	48"	15"	15"	YHP1SDK4828()	750.	n/a	n/a	1,030.	1,185.	1,539.
	60"	15"	15"	YHP1SDK6028()	781.	n/a	n/a	1,090.	1,259.	1,640.
	66"	15"	15"	YHP1SDK6628()	822.	n/a	n/a	1,154.	1,327.	1,730.
	72"	15"	15"	YHP1SDK7228()	842.	n/a	n/a	1,187.	1,360.	1,772.

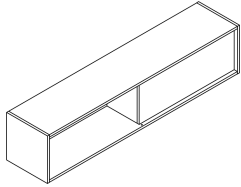


Ordering Information	Order Code	Included With	Options
Horsepower Sliding Door Cabinet Case 1. Pattern Number 2. Exterior Case Finish 3. Interior Case Finish (Laminate only) 4. Bracket Paint Finish Sliding Doors 1. Pattern Number 2. Laminate Finish 3. Pull Finish	Horsepower Sliding Door Cabinet Case <i>Example:</i> YHP1SSD6028L, 118, 118, 118T YHP1S Horsepower Storage SD Sliding Door Cabinet Case 60 Width 28 For 28.5"H Horsepower L Laminate 118 Bright White Laminate 118 Bright White Laminate 118T Bright White Paint <i>Example:</i> YHP1SDK60L, 118, 118T YHP1S Horsepower Storage DK Sliding Door Kit 60 Width L Laminate 118 Bright White Laminate 118T Bright White Paint	Horsepower Sliding Door Cabinet Case Cabinets 48"W or wider include a stiffener Sliding Doors Hardware	Horsepower Sliding Door Cabinet Case Case Finish Options: (L) = All the same or different laminates for the exterior and interior case (V) = All the same veneer for the exterior and interior case Sliding Doors Door Finish Options: (L) = Laminate (V) = Veneer Door pulls are available in Knoll core paints, Dark Red (130), and Slate Blue (131) paint finishes.

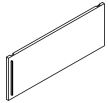
For 28.5"H Horsepower

Shared Sliding Door Cabinets with Opening on Left

description	w	d	h	pattern no.	All Same	Different	Different	V1	V2	V3
					Laminate (Core Lam.) (L)	Laminate Case/ Interior (Core Lam.) (L)	Laminate Case/Interior (Accent Lam.) (L)			
Horsepower Shared Sliding Door Cabinet Case, Opening on Left, For 28.5"H Horsepower	48"	15"	15"	YHP1SSDL4828()	\$1,947.	\$2,133.	\$3,070.	\$3,070.	\$3,517.	\$4,552.
	60"	15"	15"	YHP1SSDL6028()	2,468.	2,706.	3,466.	3,466.	3,972.	5,132.
	66"	15"	15"	YHP1SSDL6628()	2,534.	2,778.	3,594.	3,594.	4,119.	5,323.
	72"	15"	15"	YHP1SSDL7228()	2,599.	2,848.	3,721.	3,721.	4,264.	5,510.



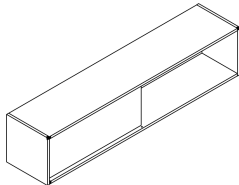
Horsepower Shared Sliding Door Kit, Left, For 28.5"H Horsepower	48"	15"	15"	YHP1SDKL4828()	750.	n/a	n/a	1,030.	1,185.	1,539.
	60"	15"	15"	YHP1SDKL6028()	781.	n/a	n/a	1,090.	1,259.	1,640.
	66"	15"	15"	YHP1SDKL6628()	822.	n/a	n/a	1,154.	1,327.	1,730.
	72"	15"	15"	YHP1SDKL7228()	842.	n/a	n/a	1,187.	1,360.	1,772.




Ordering Information	Order Code	Included With	Options
Horsepower Sliding Door Cabinet Case 1. Pattern Number 2. Exterior Case Finish 3. Interior Case Finish (Laminate only) 4. Bracket Paint Finish Sliding Doors 1. Pattern Number 2. Laminate Finish 3. Pull Finish	Horsepower Sliding Door Cabinet Case <i>Example:</i> YHP1SSD6028L, 118, 118T YHP1S Horsepower Storage SD Sliding Door Cabinet Case 60 Width 28 For 28.5"H Horsepower L Laminate 118 Bright White Laminate 118 Bright White Laminate 118T Bright White Paint <i>Example:</i> YHP1SDK60L, 118, 118T YHP1S Horsepower Storage DK Sliding Door Kit 60 Width L Laminate 118 Bright White Laminate 118T Bright White Paint	Horsepower Sliding Door Cabinet Case Cabinets 48"W or wider include a stiffener Sliding Doors Hardware	Horsepower Sliding Door Cabinet Case Case Finish Options: (L) = All the same or different laminates for the exterior and interior case (V) = All the same veneer for the exterior and interior case Sliding Doors Door Finish Options: (L) = Laminate (V) = Veneer Door pulls are available in Knoll core paints, Dark Red (130), and Slate Blue (131) paint finishes.

For 28.5"H Horsepower

Shared Sliding Door Cabinets with Opening on Right

description	w	d	h	pattern no.	All Same	Different	Different	V1	V2	V3
					Laminate (Core Lam.) (L)	Laminate Case/ Interior (Core Lam.) (L)	Laminate Case/Interior (Accent Lam.) (L)			
 Horsepower Shared Sliding Door Cabinet Case, Opening on Right, For 28.5"H Horsepower	48"	15"	15"	YHP1SSDR4828()	\$1,947.	\$2,133.	\$3,070.	\$3,070.	\$3,517.	\$4,552.
	60"	15"	15"	YHP1SSDR6028()	2,468.	2,706.	3,466.	3,466.	3,972.	5,132.
	66"	15"	15"	YHP1SSDR6628()	2,534.	2,778.	3,594.	3,594.	4,119.	5,323.
	72"	15"	15"	YHP1SSDR7228()	2,599.	2,848.	3,721.	3,721.	4,264.	5,510.

 Horsepower Shared Sliding Door Kit, Right, For 28.5"H Horsepower	48"	15"	15"	YHP1SDKR4828()	750.	n/a	n/a	1,030.	1,185.	1,539.
	60"	15"	15"	YHP1SDKR6028()	781.	n/a	n/a	1,090.	1,259.	1,640.
	66"	15"	15"	YHP1SDKR6628()	822.	n/a	n/a	1,154.	1,327.	1,730.
	72"	15"	15"	YHP1SDKR7228()	842.	n/a	n/a	1,187.	1,360.	1,772.

Ordering Information

Horsepower Sliding Door Cabinet Case

1. Pattern Number
2. Exterior Case Finish
3. Interior Case Finish (Laminate only)
4. Bracket Paint Finish

Sliding Doors

1. Pattern Number
2. Laminate Finish
3. Pull Finish

Order Code

Horsepower Sliding Door Cabinet Case

Example: **YHP1SSD6028L, 118, 118, 118T**

YHP1S	Horsepower Storage
SD	Sliding Door Cabinet Case
60	Width
28	For 28.5"H Horsepower
L	Laminate
118	Bright White Laminate
118	Bright White Laminate
118T	Bright White Paint

Example: **YHP1SDK60L, 118, 118T**

YHP1S	Horsepower Storage
DK	Sliding Door Kit
60	Width
L	Laminate
118	Bright White Laminate
118T	Bright White Paint

Included With

Horsepower Sliding Door Cabinet Case

Cabinets 48"W or wider include a stiffener

Sliding Doors

Hardware

Options

Horsepower Sliding Door Cabinet Case

Case Finish Options:

(L) = All the same or different laminates for the exterior and interior case
(V) = All the same veneer for the exterior and interior case

Sliding Doors

Door Finish Options:


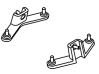
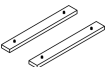
(L) = Laminate
(V) = Veneer

Door pulls are available in Knoll core paints, Dark Red (130), and Slate Blue (131) paint finishes.

Horsepower Wood Cabinets

Mounting Brackets and Ballast Kit

Antenna Workspaces

description	type	w	d	h	pattern no.	list
 Horsepower End Cabinet Brackets	Kit of 4 End brackets to support one cabinet at either end.	3 1/2"	1 1/2"	1 1/2"	YHP1SKA	\$89.
 Horsepower Mid Cabinet Brackets	Kit of Mid brackets to support between adjacent cabinets	5 1/8"	1 1/2"	1 1/2"	YHP1SKM	69.
 Horsepower Ballast Kit (pair)	For 30"W Wood Cabinet or Metal Shelf	24 1/2"	3"	1"	YHP1KUB30	414.
	For 36"W Wood Cabinet or Metal Shelf	30 1/2"	3"	5/8"	YHP1KUB36	414.
	For 48"W Wood Cabinet or Metal Shelf	42 1/2"	3"	1/2"	YHP1KUB48	414.

Horsepower

Ordering Information

- Brackets**
1. Pattern Number
 2. Bracket Paint Finish

Order Code

Horsepower Cabinet Brackets

Example: **YHP1SKA, 118T**

YHP1	Horsepower
SKA	End Brackets
118T	Bright White Textured Paint

Included With

Horsepower Cabinet Brackets
Attachment Hardware

Options

Horsepower Cabinet Brackets

Horsepower Suspended Metal Shelves

Horsepower horizontal metal shelves mount between Independent Horsepower end legs to provide a lower display shelf.

Metal shelves are available for either 25" or 28½" high Independent Horsepower and include the necessary attachment hardware for mounting to end legs.

Horsepower Counterweight Kits

Upmounted screens on Independent Horsepower require a lower shelf or cabinet with corresponding ballast kit. Ballast kits include a pair of flat steel counterweights that mount to the underside of the metal shelf. Ballast kits are available for 30", 36" and 48" wide metal shelves.

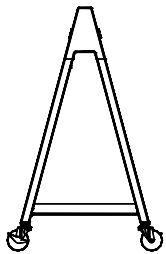
Construction

Metal shelves are formed heavy gauge steel.

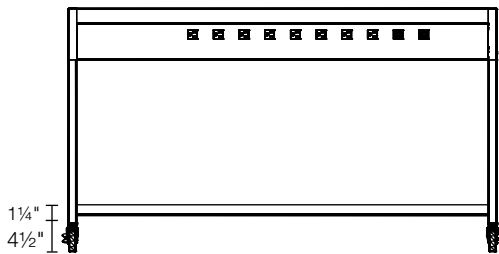
Specification Options

Metal shelves are available in any Knoll Core paint finish, Dark Red, Slate Blue or Black Wrinkle.

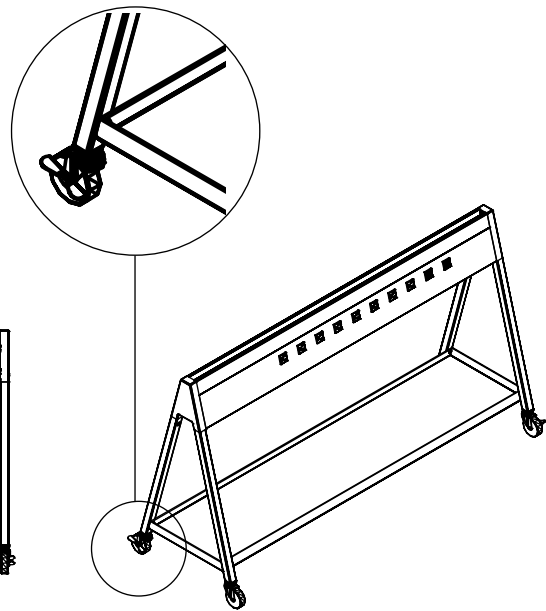
Counterweights are painted black.



Independent Horsepower with Metal Shelf End Elevation



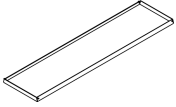
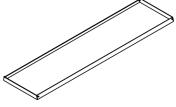

Independent Horsepower with Metal Shelf Side Elevation



Independent Horsepower with Metal Shelf

Horsepower Metal Shelves

25" h and 28.5" H

description	type	w	d	h	pattern no.	list
Horsepower Metal Shelves, For 25"H Independent Horsepower 	For 24"W Independent Horsepower	26"	11"	1 1/4"	YHP1SMS2425	\$249.
	For 30"W Independent Horsepower	32"	11"	1 1/4"	YHP1SMS3025	285.
	For 36"W Independent Horsepower	38"	11"	1 1/4"	YHP1SMS3625	311.
	For 48"W Independent Horsepower	50"	11"	1 1/4"	YHP1SMS4825	380.
Horsepower Metal Shelves, For 28 1/2"H Independent Horsepower 	For 24"W Independent Horsepower	26"	12"	1 1/4"	YHP1SMS2428	317.
	For 30"W Independent Horsepower	32"	12"	1 1/4"	YHP1SMS3028	333.
	For 36"W Independent Horsepower	38"	12"	1 1/4"	YHP1SMS3628	364.
	For 48"W Independent Horsepower	50"	12"	1 1/4"	YHP1SMS4828	438.
Horsepower Ballast Kit (pair) 	For 30"W Wood Cabinet or Metal Shelf	24 1/2"	3"	1"	YHP1KUB30	414.
	For 36"W Wood Cabinet or Metal Shelf	30 1/2"	3"	5/8"	YHP1KUB36	414.
	For 48"W Wood Cabinet or Metal Shelf	42 1/2"	3"	1/2"	YHP1KUB48	414.

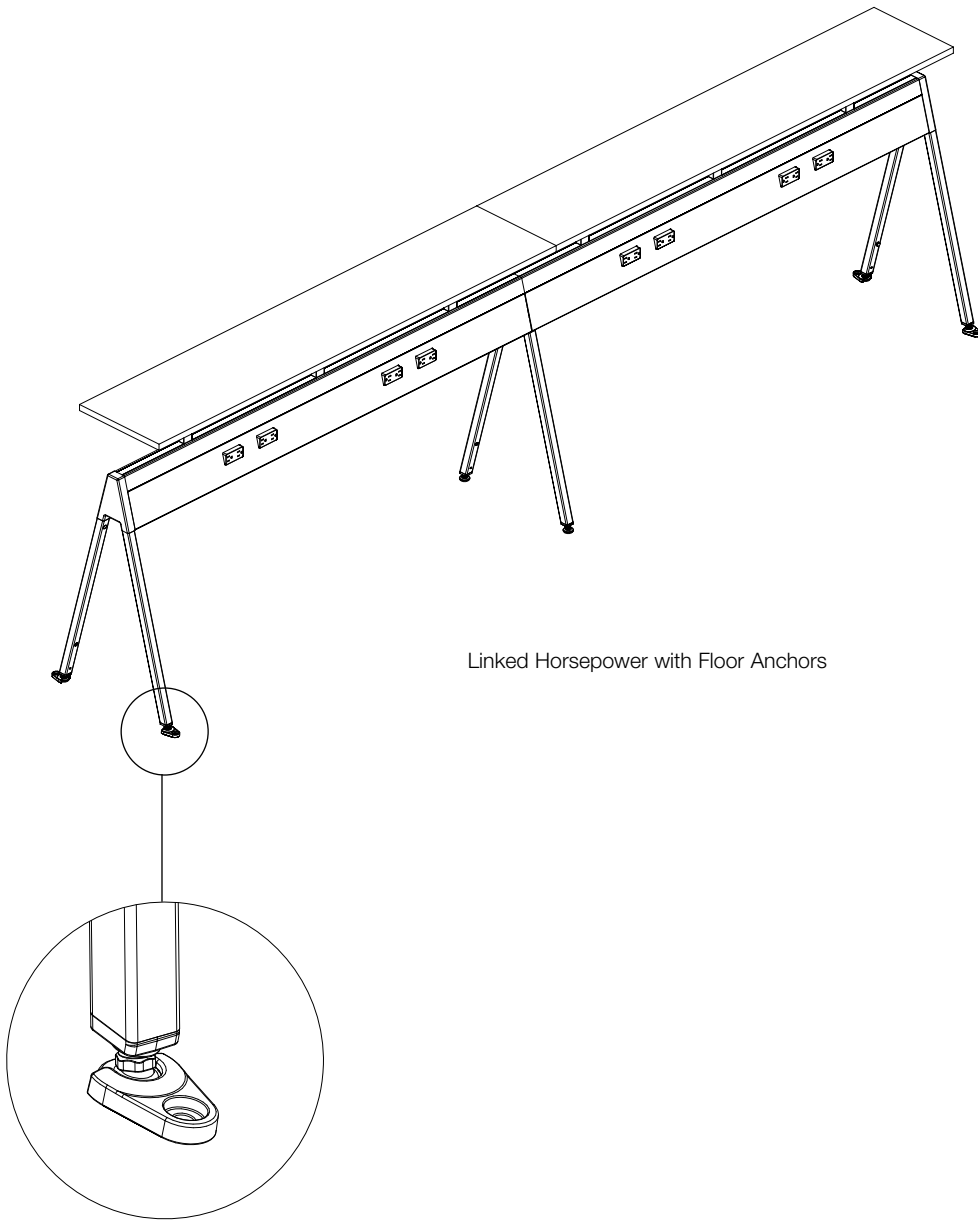
Horsepower

Ordering Information	Order Code	Included With	Options
Horsepower Metal Shelf 1. Pattern Number 2. Paint Finish	Horsepower Metal Shelf <hr/> <i>Example:</i> YHP1SMS3025, 118T <hr/> YHP1 Horsepower <hr/> SMS Metal Shelf <hr/> 30 Width <hr/> 25 For 25"H Horsepower <hr/> 118T Bright White Textured Paint	Horsepower Metal Shelf Attachment Hardware	Horsepower Metal Shelf

Horsepower floor anchors secure levelers to the floor in high-use or high-security areas when used with suitable fasteners for the floor construction type, compliant with applicable building codes or regulations.

Construction
Floor Anchors are die-cast aluminum.

Specification Options
Floor Anchors default to a fine polish finish.



Linked Horsepower with Floor Anchors

Floor Anchor Detail

Horsepower Accessories

Floor Anchors

description	type	w	d	h	pattern no.	list
Floor Anchors (pair)	For Horsepower Leg with Glides	1 1/2"	2"	1/3"	YHP1F	\$26.



Horsepower

Ordering Information	Order Code	Included With	Options
Horsepower Floor Anchor	Horsepower Floor Anchor	Horsepower Floor Anchor	Horsepower Floor Anchor
1. Pattern Number	<i>Example:</i> YHP1F YHP1F Horsepower Floor Anchor		

Alpha-Numeric Index

<i>pattern no.</i>	<i>page</i>	<i>pattern no.</i>	<i>page</i>	<i>pattern no.</i>	<i>page</i>	<i>pattern no.</i>	<i>page</i>
ACT-CUP-IP	317	IPSC1566(N/T)LL	320	IPSC4836(N/T)GG	326	IPSI1566F	340
AR1EPIC	314	IPSC1572(N/T)GG	320	IPSC4836(N/T)GT	326	IPSI1572F	340
AR1TPIC	314	IPSC1572(N/T)GT	320	IPSC4836(N/T)LF	327	IPSI6415F	347
DE18CII44	314	IPSC1572(N/T)LF	321	IPSC4836(N/T)LL	326	IPSN144	308
DE1ECII44	314	IPSC1572(N/T)LL	320	IPSC4842(N/T)GG	326	IPSOB3615	334
DE1TCII44	314	IPSC2436(N/T)GG	322	IPSC4842(N/T)GT	326	IPSOB4215	334
IPACPU	317	IPSC2436(N/T)GT	322	IPSC4842(N/T)LF	327	IPSOB4815	334
IPAVESA	317	IPSC2436(N/T)LF	323	IPSC4842(N/T)LL	326	IPSOB5415	334
IPBH	317	IPSC2436(N/T)LL	322	IPSC4848(N/T)GG	326	IPSOB6015	334
IPCC10	316	IPSC2442(N/T)GG	322	IPSC4848(N/T)GT	326	IPSOB6615	334
IPCH	317	IPSC2442(N/T)GT	322	IPSC4848(N/T)LF	327	IPSOB7215	334
IPCS1212	317	IPSC2442(N/T)LF	323	IPSC4848(N/T)LL	326	IPSOE3615	334
IPCT	316	IPSC2442(N/T)LL	322	IPSC4854(N/T)GG	326	IPSOE4215	334
IPEL	311	IPSC2448(N/T)GG	322	IPSC4854(N/T)GT	326	IPSOE4815	334
IPESCNN47	308	IPSC2448(N/T)GT	322	IPSC4854(N/T)LF	327	IPSOE5415	334
IPEX	316	IPSC2448(N/T)LF	323	IPSC4854(N/T)LL	326	IPSOE6015	334
IPOC12	316	IPSC2448(N/T)LL	322	IPSC4860(N/T)GG	326	IPSOE6615	334
IPOC20H	316	IPSC2454(N/T)GG	322	IPSC4860(N/T)GT	326	IPSOE7215	334
IPOC6	316	IPSC2454(N/T)GT	322	IPSC4860(N/T)LF	327	IPSOS3615	334
IPPL30R	317	IPSC2454(N/T)LF	323	IPSC4860(N/T)LL	326	IPSOS4215	334
IPRC18	311	IPSC2454(N/T)LL	322	IPSC4866(N/T)GG	326	IPSOS4815	334
IPRC26	311	IPSC2460(N/T)GG	322	IPSC4866(N/T)GT	326	IPSOS5415	334
IPRC30	311	IPSC2460(N/T)GT	322	IPSC4866(N/T)LF	327	IPSOS6015	334
IPRC42	311	IPSC2460(N/T)LF	323	IPSC4866(N/T)LL	326	IPSOS6615	334
IPRC6	311	IPSC2460(N/T)LL	322	IPSC4872(N/T)GG	326	IPSOS7215	334
IPRCF120	311	IPSC2466(N/T)GG	322	IPSC4872(N/T)GT	326	IPSSD3615	336
IPRCF180	311	IPSC2466(N/T)GT	322	IPSC4872(N/T)LF	327	IPSSD4215	336
IPRCF72	311	IPSC2466(N/T)LF	323	IPSC4872(N/T)LL	326	IPSSD4815	336
IPRCF96	311	IPSC2466(N/T)LL	322	IPSC6436(N/T)GG	328	IPSSD5415	336
IPRCFNY	311	IPSC2472(N/T)GG	322	IPSC6436(N/T)GT	328	IPSSD6015	336
IPRD1	311	IPSC2472(N/T)GT	322	IPSC6436(N/T)LF	329	IPSSD6615	336
IPRD1C	311	IPSC2472(N/T)LF	323	IPSC6436(N/T)LL	328	IPSSD7215	336
IPRD2	311	IPSC2472(N/T)LL	322	IPSC6442(N/T)GG	328	IPSSDK36	336
IPRD2C	311	IPSC3236(N/T)GG	324	IPSC6442(N/T)GT	328	IPSSDK42	336
IPRFF48	311	IPSC3236(N/T)GT	324	IPSC6442(N/T)LF	329	IPSSDK48	336
IPROF	312	IPSC3236(N/T)LF	325	IPSC6442(N/T)LL	328	IPSSDK54	336
IPRUSB	311	IPSC3236(N/T)LL	324	IPSC6448(N/T)GG	328	IPSSDK60	336
IPRVWM	316	IPSC3242(N/T)GG	324	IPSC6448(N/T)GT	328	IPSSDK66	336
IPSC1536(N/T)GG	320	IPSC3242(N/T)GT	324	IPSC6448(N/T)LF	329	IPSSDK72	336
IPSC1536(N/T)GT	320	IPSC3242(N/T)LF	325	IPSC6448(N/T)LL	328	IPSSOEL3615	335
IPSC1536(N/T)LF	321	IPSC3242(N/T)LL	324	IPSC6454(N/T)GG	328	IPSSOEL4215	335
IPSC1536(N/T)LL	320	IPSC3248(N/T)GG	324	IPSC6454(N/T)GT	328	IPSSOEL4815	335
IPSC1542(N/T)GG	320	IPSC3248(N/T)GT	324	IPSC6454(N/T)LF	329	IPSSOEL5415	335
IPSC1542(N/T)GT	320	IPSC3248(N/T)LF	325	IPSC6454(N/T)LL	328	IPSSOEL6015	335
IPSC1542(N/T)LF	321	IPSC3248(N/T)LL	324	IPSC6460(N/T)GG	328	IPSSOEL6615	335
IPSC1542(N/T)LL	320	IPSC3254(N/T)GG	324	IPSC6460(N/T)GT	328	IPSSOEL7215	335
IPSC1548(N/T)GG	320	IPSC3254(N/T)GT	324	IPSC6460(N/T)LF	329	IPSSOER3615	335
IPSC1548(N/T)GT	320	IPSC3254(N/T)LF	325	IPSC6460(N/T)LL	328	IPSSOER4215	335
IPSC1548(N/T)LF	321	IPSC3254(N/T)LL	324	IPSCHH144	309	IPSSOER4815	335
IPSC1548(N/T)LL	320	IPSC3260(N/T)GG	324	IPSCLL144	309	IPSSOER5415	335
IPSC1554(N/T)GG	320	IPSC3260(N/T)GT	324	IPSCMM144	309	IPSSOER6015	335
IPSC1554(N/T)GT	320	IPSC3260(N/T)LF	325	IPSCNG144	308	IPSSOER6615	335
IPSC1554(N/T)LF	321	IPSC3260(N/T)LL	324	IPSCNH144	309	IPSSOER7215	335
IPSC1554(N/T)LL	320	IPSC3266(N/T)GG	324	IPSCNL144	309	IPSSSDKL36	337
IPSC1560(N/T)GG	320	IPSC3266(N/T)GT	324	IPSCNM144	309	IPSSSDKL42	337
IPSC1560(N/T)GT	320	IPSC3266(N/T)LF	325	IPSCNN144	308	IPSSSDKL48	337
IPSC1560(N/T)LF	321	IPSC3266(N/T)LL	324	IPSI1536F	340	IPSSSDKL54	337
IPSC1560(N/T)LL	320	IPSC3272(N/T)GG	324	IPSI1542F	340	IPSSSDKL60	337
IPSC1566(N/T)GG	320	IPSC3272(N/T)GT	324	IPSI1548F	340	IPSSSDKL66	337
IPSC1566(N/T)GT	320	IPSC3272(N/T)LF	325	IPSI1554F	340	IPSSSDKL72	337
IPSC1566(N/T)LF	321	IPSC3272(N/T)LL	324	IPSI1560F	340	IPSSSDKR36	338

<i>pattern no.</i>	<i>page</i>	<i>pattern no.</i>	<i>page</i>	<i>pattern no.</i>	<i>page</i>	<i>pattern no.</i>	<i>page</i>
IPSSDKR42	338	YBPTSSFESL2854	398	YBPTSSFESS2866	398	YBPTSSFEXR2878	402
IPSSDKR48	338	YBPTSSFESL2860	398	YBPTSSFESS2872	398	YBPTSSFEXR2884	402
IPSSDKR54	338	YBPTSSFESL2866	398	YBPTSSFESS2878	398	YBPTSSFEXR4248	403
IPSSDKR60	338	YBPTSSFESL2872	398	YBPTSSFESS2884	398	YBPTSSFEXR4254	403
IPSSDKR66	338	YBPTSSFESL2878	398	YBPTSSFESS4248	399	YBPTSSFEXR4260	403
IPSSDKR72	338	YBPTSSFESL2884	398	YBPTSSFESS4254	399	YBPTSSFEXR4266	403
IPSSDL3615	337	YBPTSSFESLA248	399	YBPTSSFESS4260	399	YBPTSSFEXR4272	403
IPSSDL4215	337	YBPTSSFESLA254	399	YBPTSSFESS4266	399	YBPTSSFEXR4278	403
IPSSDL4815	337	YBPTSSFESLA260	399	YBPTSSFESS4272	399	YBPTSSFEXR4284	403
IPSSDL5415	337	YBPTSSFESLA266	399	YBPTSSFESS4278	399	YBPTSSFEXR4948	404
IPSSDL6015	337	YBPTSSFESLA272	399	YBPTSSFESS4284	399	YBPTSSFEXR4954	404
IPSSDL6615	337	YBPTSSFESLA278	399	YBPTSSFESS4948	401	YBPTSSFEXR4960	404
IPSSDL7215	337	YBPTSSFESLA284	399	YBPTSSFESS4954	401	YBPTSSFEXR4966	404
IPSSDR3615	338	YBPTSSFESLA4948	400	YBPTSSFESS4960	401	YBPTSSFEXR4972	404
IPSSDR4215	338	YBPTSSFESLA4954	400	YBPTSSFESS4966	401	YBPTSSFEXR4978	404
IPSSDR4815	338	YBPTSSFESLA4960	400	YBPTSSFESS4972	401	YBPTSSFEXR4984	404
IPSSDR5415	338	YBPTSSFESLA4966	400	YBPTSSFESS4978	401	YBPTSSFEXS2848	402
IPSSDR6015	338	YBPTSSFESLA4972	400	YBPTSSFESS4984	401	YBPTSSFEXS2854	402
IPSSDR6615	338	YBPTSSFESLA4978	400	YBPTSSFEXL2848	402	YBPTSSFEXS2860	402
IPSSDR7215	338	YBPTSSFESLA4984	400	YBPTSSFEXL2854	402	YBPTSSFEXS2866	402
IPVDL1564L	344	YBPTSSFESN2848	398	YBPTSSFEXL2860	402	YBPTSSFEXS2872	402
IPVDL1564R	344	YBPTSSFESN2854	398	YBPTSSFEXL2866	402	YBPTSSFEXS2878	402
IPVDR1564L	344	YBPTSSFESN2860	398	YBPTSSFEXL2872	402	YBPTSSFEXS2884	402
IPVDR1564R	344	YBPTSSFESN2866	398	YBPTSSFEXL2878	402	YBPTSSFEXS4248	403
IPVOS1564L	343	YBPTSSFESN2872	398	YBPTSSFEXL2884	402	YBPTSSFEXS4254	403
IPVOS1564R	343	YBPTSSFESN2878	398	YBPTSSFEXL4248	403	YBPTSSFEXS4260	403
IPSVWL1564L	345	YBPTSSFESN2884	398	YBPTSSFEXL4254	403	YBPTSSFEXS4266	403
IPSVWL1564R	345	YBPTSSFESN4248	399	YBPTSSFEXL4260	403	YBPTSSFEXS4272	403
IPSVWR1564L	345	YBPTSSFESN4254	399	YBPTSSFEXL4266	403	YBPTSSFEXS4278	403
IPSVWR1564R	345	YBPTSSFESN4260	399	YBPTSSFEXL4272	403	YBPTSSFEXS4284	403
RR3EPVR	314	YBPTSSFESN4266	399	YBPTSSFEXL4278	403	YBPTSSFEXS4948	405
RR3TPVR	314	YBPTSSFESN4272	399	YBPTSSFEXL4284	403	YBPTSSFEXS4954	405
YACPU	96	YBPTSSFESN4278	399	YBPTSSFEXL4948	404	YBPTSSFEXS4960	405
YAK	96	YBPTSSFESN4284	399	YBPTSSFEXL4954	404	YBPTSSFEXS4966	405
YAPTC	233, 238, 243	YBPTSSFESN4948	400	YBPTSSFEXL4960	404	YBPTSSFEXS4972	405
YAPTN	233, 238, 243	YBPTSSFESN4954	400	YBPTSSFEXL4966	404	YBPTSSFEXS4978	405
YB2DPD	444	YBPTSSFESN4960	400	YBPTSSFEXL4972	404	YBPTSSFEXS4984	405
YBAFE25	89	YBPTSSFESN4966	400	YBPTSSFEXL4978	404	YBRB39	83
YBAFE28	89	YBPTSSFESN4972	400	YBPTSSFEXL4984	404	YBRB45	83
YBATBT22	89	YBPTSSFESN4978	400	YBPTSSFEXN2848	402	YBRB51	83
YBATBT25	89	YBPTSSFESN4984	400	YBPTSSFEXN2854	402	YBRB57	83
YBATE22	89	YBPTSSFESR2848	398	YBPTSSFEXN2860	402	YBRB63	83
YBATE25	89, 232	YBPTSSFESR2854	398	YBPTSSFEXN2866	402	YBRB69	83
YBATE28	89	YBPTSSFESR2860	398	YBPTSSFEXN2872	402	YBRB75	83
YBAW25	89, 236	YBPTSSFESR2866	398	YBPTSSFEXN2878	402	YBRB81	83
YBCDE	85, 252	YBPTSSFESR2872	398	YBPTSSFEXN2884	402	YBRB87	83
YBCRR	90	YBPTSSFESR2878	398	YBPTSSFEXN4248	403	YBRB93	83
YBCWS	90	YBPTSSFESR2884	398	YBPTSSFEXN4254	403	YBRBTE48	80
YBF	90	YBPTSSFESR4248	399	YBPTSSFEXN4260	403	YBRBTE54	80
YBIG	151	YBPTSSFESR4254	399	YBPTSSFEXN4266	403	YBRBTE60	80
YBPSSB2748	137	YBPTSSFESR4260	399	YBPTSSFEXN4272	403	YBRBTE66	80
YBPSSB2754	137	YBPTSSFESR4266	399	YBPTSSFEXN4278	403	YBRBTE72	80
YBPSSB2760	137	YBPTSSFESR4272	399	YBPTSSFEXN4284	403	YBRBTE78	80
YBPSSB2766	137	YBPTSSFESR4278	399	YBPTSSFEXN4948	404	YBRBTE84	80
YBPSSB2772	137	YBPTSSFESR4284	399	YBPTSSFEXN4954	404	YBRBTE90	80
YBPSSB2778	137	YBPTSSFESR4948	400	YBPTSSFEXN4960	404	YBRBTE96	80
YBPSSB2784	137	YBPTSSFESR4954	400	YBPTSSFEXN4966	404	YBRBTS45	80
YBPSSF2748	136	YBPTSSFESR4960	400	YBPTSSFEXN4972	404	YBRBTS51	80
YBPSSF2754	136	YBPTSSFESR4966	400	YBPTSSFEXN4978	404	YBRBTS57	80
YBPSSF2760	136	YBPTSSFESR4972	400	YBPTSSFEXN4984	404	YBRBTS63	80
YBPSSF2766	136	YBPTSSFESR4978	400	YBPTSSFEXR2848	402	YBRBTS69	80
YBPSSF2772	136	YBPTSSFESR4984	400	YBPTSSFEXR2854	402	YBRBTS75	80
YBPSSF2778	136	YBPTSSFESS2848	398	YBPTSSFEXR2860	402	YBRBTS81	80
YBPSSF2784	136	YBPTSSFESS2854	398	YBPTSSFEXR2866	402	YBRBTS87	80
YBPTSSFESL2848	398	YBPTSSFESS2860	398	YBPTSSFEXR2872	402	YBRBTS93	80

<i>pattern no.</i>	<i>page</i>	<i>pattern no.</i>	<i>page</i>	<i>pattern no.</i>	<i>page</i>	<i>pattern no.</i>	<i>page</i>
YBRE	90	YBSLDL4	364	YBTEXBNI48	377	YBTFESBTE54	379
YBRE36	78	YBSSLDC1	364	YBTEXBNI54	377	YBTFESBTE60	379
YBRE42	78	YBSSLDC2	364	YBTEXBNI60	377	YBTFESBTE66	379
YBRE48	78	YBSSLDH1	364	YBTEXBNI66	377	YBTFESBTE72	379
YBRE54	78	YBSSLDH2	364	YBTEXBNI72	377	YBTFESBTE78	379
YBRE60	78	YBSSLDL1	364	YBTEXBNI78	377	YBTFESBTE84	379
YBRE66	78	YBSSLDL2	364	YBTEXBNI84	377	YBTFESBTI48	379
YBRE72	78	YBTCL	443	YBTEXBNS48	377	YBTFESBTI54	379
YBRE78	78	YBTE	85, 255	YBTEXBNS54	377	YBTFESBTI60	379
YBRE84	79	YBTESBNE48	374	YBTEXBNS60	377	YBTFESBTI66	379
YBRE90	79	YBTESBNE54	374	YBTEXBNS66	377	YBTFESBTI72	379
YBRE96	79	YBTESBNE60	374	YBTEXBNS72	377	YBTFESBTI78	379
YBRR33	82	YBTESBNE66	374	YBTEXBNS78	377	YBTFESBTI84	379
YBRR36	82	YBTESBNE72	374	YBTEXBNS84	377	YBTFESBTS48	379
YBRR39	82	YBTESBNE78	374	YBTEXBTE48	376	YBTFESBTS54	379
YBRR42	82	YBTESBNE84	374	YBTEXBTE54	376	YBTFESBTS60	379
YBRR45	82	YBTESBNI48	374	YBTEXBTE60	376	YBTFESBTS66	379
YBRR48	82	YBTESBNI54	374	YBTEXBTE66	376	YBTFESBTS72	379
YBRR51	82	YBTESBNI60	374	YBTEXBTE72	376	YBTFESBTS78	379
YBRR54	82	YBTESBNI66	374	YBTEXBTE78	376	YBTFESBTS84	379
YBRR57	82	YBTESBNI72	374	YBTEXBTE84	376	YBTFESNNS48	381
YBRR60	82	YBTESBNI78	374	YBTEXBTI48	376	YBTFESNNS54	381
YBRR63	82	YBTESBNI84	374	YBTEXBTI54	376	YBTFESNNS60	381
YBRR66	82	YBTEXBNS48	374	YBTEXBTI60	376	YBTFESNNS66	381
YBRR69	82	YBTEXBNS54	374	YBTEXBTI66	376	YBTFESNNS72	381
YBRR72	82	YBTEXBNS60	374	YBTEXBTI72	376	YBTFESNNS78	381
YBRR75	82	YBTEXBNS66	374	YBTEXBTI78	376	YBTFESNNS84	381
YBRR78	82	YBTEXBNS72	374	YBTEXBTI84	376	YBTFESBNE48	383
YBRR81	82	YBTEXBNS78	374	YBTEXBTS48	376	YBTFESBNE54	383
YBRR84	82	YBTEXBNS84	374	YBTEXBTS54	376	YBTFESBNE60	383
YBRR87	82	YBTEXBTE48	373	YBTEXBTS60	376	YBTFESBNE66	383
YBRR90	82	YBTEXBTE54	373	YBTEXBTS66	376	YBTFESBNE72	383
YBRR93	82	YBTEXBTE60	373	YBTEXBTS72	376	YBTFESBNE78	383
YBRS33	78	YBTEXBTE66	373	YBTEXBTS78	376	YBTFESBNE84	383
YBRS39	78	YBTEXBTE72	373	YBTEXBTS84	376	YBTFESBNI48	383
YBRS45	78	YBTEXBTE78	373	YBTEXNNS48	378	YBTFESBNI54	383
YBRS51	78	YBTEXBTE84	373	YBTEXNNS54	378	YBTFESBNI60	383
YBRS57	78	YBTEXBTI48	373	YBTEXNNS60	378	YBTFESBNI66	383
YBRS63	78	YBTEXBTI54	373	YBTEXNNS66	378	YBTFESBNI72	383
YBRS69	78	YBTEXBTI60	373	YBTEXNNS72	378	YBTFESBNI78	383
YBRS75	78	YBTEXBTI66	373	YBTEXNNS78	378	YBTFESBNI84	383
YBRS81	78	YBTEXBTI72	373	YBTEXNNS84	378	YBTFESBNS48	383
YBRS87	78	YBTEXBTI78	373	YBTF8	443	YBTFESBNS54	383
YBRS93	78	YBTEXBTI84	373	YBTFESBNE48	380	YBTFESBNS60	383
YBRT105	78	YBTFESBTS48	373	YBTFESBNE54	380	YBTFESBNS66	383
YBRT111	78	YBTFESBTS54	373	YBTFESBNE60	380	YBTFESBNS72	383
YBRT33	78	YBTFESBTS60	373	YBTFESBNE66	380	YBTFESBNS78	383
YBRT39	78	YBTFESBTS66	373	YBTFESBNE72	380	YBTFESBNS84	383
YBRT45	78	YBTFESBTS72	373	YBTFESBNE78	380	YBTFESBTE48	382
YBRT51	78	YBTFESBTS78	373	YBTFESBNE84	380	YBTFESBTE54	382
YBRT57	78	YBTFESBTS84	373	YBTFESBNI48	380	YBTFESBTE60	382
YBRT63	78	YBTFESNNS48	375	YBTFESBNI54	380	YBTFESBTE66	382
YBRT69	78	YBTFESNNS54	375	YBTFESBNI60	380	YBTFESBTE72	382
YBRT75	78	YBTFESNNS60	375	YBTFESBNI66	380	YBTFESBTE78	382
YBRT81	78	YBTFESNNS66	375	YBTFESBNI72	380	YBTFESBTE84	382
YBRT87	78	YBTFESNNS72	375	YBTFESBNI78	380	YBTFESBTI48	382
YBRT93	78	YBTFESNNS78	375	YBTFESBNI84	380	YBTFESBTI54	382
YBRT99	78	YBTFESNNS84	375	YBTFESBNS48	380	YBTFESBTI60	382
YBSCL	365	YBTEXBNE48	377	YBTFESBNS54	380	YBTFESBTI66	382
YBSCLN	365	YBTEXBNE54	377	YBTFESBNS60	380	YBTFESBTI72	382
YBSLDC2	364	YBTEXBNE60	377	YBTFESBNS66	380	YBTFESBTI78	382
YBSLDC4	364	YBTEXBNE66	377	YBTFESBNS72	380	YBTFESBTI84	382
YBSLDH2	364	YBTEXBNE72	377	YBTFESBNS78	380	YBTFESBTS48	382
YBSLDH4	364	YBTEXBNE78	377	YBTFESBNS84	380	YBTFESBTS54	382
YBSLDL2	364	YBTEXBNE84	377	YBTFESBTE48	379	YBTFESBTS60	382

<i>pattern no.</i>	<i>page</i>	<i>pattern no.</i>	<i>page</i>	<i>pattern no.</i>	<i>page</i>	<i>pattern no.</i>	<i>page</i>
YBTFSBTS66	382	YBTRFS96	416, 419	YBTSSFESBNS4824	386	YBTSSFESBTR4830	391
YBTFSBTS72	382	YBTRFS99	416	YBTSSFESBNS4827	387	YBTSSFESBTR5424	389
YBTFSBTS78	382	YBTSSFESBNS4824	386	YBTSSFESBNS4830	388	YBTSSFESBTR5427	390
YBTFSBTS84	382	YBTSSFESBNS4827	387	YBTSSFESBNS5424	386	YBTSSFESBTR5430	391
YBTFSNNS48	384	YBTSSFESBNS4830	388	YBTSSFESBNS5427	387	YBTSSFESBTR6024	389
YBTFSNNS54	384	YBTSSFESBNS5424	386	YBTSSFESBNS5430	388	YBTSSFESBTR6027	390
YBTFSNNS60	384	YBTSSFESBNS5427	387	YBTSSFESBNS6024	386	YBTSSFESBTR6030	391
YBTFSNNS66	384	YBTSSFESBNS5430	388	YBTSSFESBNS6027	387	YBTSSFESBTR6624	389
YBTFSNNS72	384	YBTSSFESBNS6024	386	YBTSSFESBNS6030	388	YBTSSFESBTR6627	390
YBTFSNNS78	384	YBTSSFESBNS6027	387	YBTSSFESBNS6624	386	YBTSSFESBTR6630	391
YBTFSNNS84	384	YBTSSFESBNS6030	388	YBTSSFESBNS6627	387	YBTSSFESBTR7224	389
YBTC	444	YBTSSFESBNS6624	386	YBTSSFESBNS6630	388	YBTSSFESBTR7227	390
YBTHS	443	YBTSSFESBNS6627	387	YBTSSFESBNS7224	386	YBTSSFESBTR7230	391
YBTKB10	443	YBTSSFESBNS6630	388	YBTSSFESBNS7227	387	YBTSSFESBTR7824	389
YBTKB5	443	YBTSSFESBNS7224	386	YBTSSFESBNS7230	388	YBTSSFESBTR7827	390
YBTR	444	YBTSSFESBNS7227	387	YBTSSFESBNS7824	386	YBTSSFESBTR7830	391
YBTRES102	414	YBTSSFESBNS7230	388	YBTSSFESBNS7827	387	YBTSSFESBTR8424	389
YBTRES54	414, 417	YBTSSFESBNS7824	386	YBTSSFESBNS7830	388	YBTSSFESBTR8427	390
YBTRES57	414, 417	YBTSSFESBNS7827	387	YBTSSFESBNS8424	386	YBTSSFESBTR8430	391
YBTRES60	414, 417	YBTSSFESBNS7830	388	YBTSSFESBNS8427	387	YBTSSFESBTR8430	391
YBTRES63	414, 417	YBTSSFESBNS8424	386	YBTSSFESBNS8430	388	YBTSSFESBTR8427	390
YBTRES66	414, 417	YBTSSFESBNS8427	387	YBTSSFESBNS8430	388	YBTSSFESBTR8430	391
YBTRES69	414, 417	YBTSSFESBNS8430	388	YBTSSFESBNS8427	387	YBTSSFESBTR8430	391
YBTRES72	414, 417	YBTSSFESBNS8424	386	YBTSSFESBNS8427	387	YBTSSFESBTR8427	390
YBTRES75	414, 417	YBTSSFESBNS8427	387	YBTSSFESBNS8430	388	YBTSSFESBTR8427	390
YBTRES78	414, 417	YBTSSFESBNS8430	388	YBTSSFESBNS8424	386	YBTSSFESBTR8430	391
YBTRES81	414, 417	YBTSSFESBNS424	386	YBTSSFESBNS8427	387	YBTSSFESBTR8430	391
YBTRES84	414, 417	YBTSSFESBNS427	387	YBTSSFESBNS8430	388	YBTSSFESBTR8427	390
YBTRES87	414, 417	YBTSSFESBNS430	388	YBTSSFESBNS8424	386	YBTSSFESBTR8430	391
YBTRES90	414, 417	YBTSSFESBNS6024	386	YBTSSFESBNS8427	387	YBTSSFESBTR8430	391
YBTRES93	414, 417	YBTSSFESBNS6027	387	YBTSSFESBNS8430	388	YBTSSFESBTR8427	390
YBTRES96	414, 417	YBTSSFESBNS6030	388	YBTSSFESBNS8424	386	YBTSSFESBTR8430	391
YBTRES99	414	YBTSSFESBNS6624	386	YBTSSFESBNS8427	387	YBTSSFESBTR8430	391
YBTREX102	415	YBTSSFESBNS6627	387	YBTSSFESBNS8430	388	YBTSSFESBTR8427	390
YBTREX54	415, 418	YBTSSFESBNS6630	388	YBTSSFESBNS8424	386	YBTSSFESBTR8430	391
YBTREX57	415, 418	YBTSSFESBNS7224	386	YBTSSFESBNS8427	387	YBTSSFESBTR8430	391
YBTREX60	415, 418	YBTSSFESBNS7227	387	YBTSSFESBNS8430	388	YBTSSFESBTR8427	390
YBTREX63	415, 418	YBTSSFESBNS7230	388	YBTSSFESBNS8424	386	YBTSSFESBTR8430	391
YBTREX66	415, 418	YBTSSFESBNS7824	386	YBTSSFESBNS8427	387	YBTSSFESBTR8430	391
YBTREX69	415, 418	YBTSSFESBNS7827	387	YBTSSFESBNS8430	388	YBTSSFESBTR8427	390
YBTREX72	415, 418	YBTSSFESBNS7830	388	YBTSSFESBNS8424	386	YBTSSFESBTR8430	391
YBTREX75	415, 418	YBTSSFESBNS8424	386	YBTSSFESBNS8427	387	YBTSSFESBTR8430	391
YBTREX78	415, 418	YBTSSFESBNS8427	387	YBTSSFESBNS8430	388	YBTSSFESBTR8427	390
YBTREX81	415, 418	YBTSSFESBNS8430	388	YBTSSFESBNS8424	386	YBTSSFESBTR8430	391
YBTREX84	415, 418	YBTSSFESBNS8424	386	YBTSSFESBNS8427	387	YBTSSFESBTR8430	391
YBTREX87	415, 418	YBTSSFESBNS8427	387	YBTSSFESBNS8430	388	YBTSSFESBTR8427	390
YBTREX90	415, 418	YBTSSFESBNS8430	388	YBTSSFESBNS8424	386	YBTSSFESBTR8430	391
YBTREX93	415, 418	YBTSSFESBNS8424	386	YBTSSFESBNS8427	387	YBTSSFESBTR8430	391
YBTREX96	415, 418	YBTSSFESBNS8427	387	YBTSSFESBNS8430	388	YBTSSFESBTR8427	390
YBTREX99	415	YBTSSFESBNS8430	388	YBTSSFESBNS8424	386	YBTSSFESBTR8430	391
YBTRFS102	416	YBTSSFESBNS6024	386	YBTSSFESBNS8427	387	YBTSSFESBTR8430	391
YBTRFS54	416, 419	YBTSSFESBNS6027	387	YBTSSFESBNS8430	388	YBTSSFESBTR8427	390
YBTRFS57	416, 419	YBTSSFESBNS6030	388	YBTSSFESBNS8424	386	YBTSSFESBTR8430	391
YBTRFS60	416, 419	YBTSSFESBNS6624	386	YBTSSFESBNS8427	387	YBTSSFESBTR8430	391
YBTRFS63	416, 419	YBTSSFESBNS6627	387	YBTSSFESBNS8430	388	YBTSSFESBTR8427	390
YBTRFS66	416, 419	YBTSSFESBNS6630	388	YBTSSFESBNS8424	386	YBTSSFESBTR8430	391
YBTRFS69	416, 419	YBTSSFESBNS7224	386	YBTSSFESBNS8427	387	YBTSSFESBTR8430	391
YBTRFS72	416, 419	YBTSSFESBNS7227	387	YBTSSFESBNS8430	388	YBTSSFESBTR8427	390
YBTRFS75	416, 419	YBTSSFESBNS7230	388	YBTSSFESBNS8424	386	YBTSSFESBTR8430	391
YBTRFS78	416, 419	YBTSSFESBNS7824	386	YBTSSFESBNS8427	387	YBTSSFESBTR8430	391
YBTRFS81	416, 419	YBTSSFESBNS7827	387	YBTSSFESBNS8430	388	YBTSSFESBTR8427	390
YBTRFS84	416, 419	YBTSSFESBNS7830	388	YBTSSFESBNS8424	386	YBTSSFESBTR8430	391
YBTRFS87	416, 419	YBTSSFESBNS8424	386	YBTSSFESBNS8427	387	YBTSSFESBTR8430	391
YBTRFS90	416, 419	YBTSSFESBNS8427	387	YBTSSFESBNS8430	388	YBTSSFESBTR8427	390
YBTRFS93	416, 419	YBTSSFESBNS8430	388	YBTSSFESBNS8424	386	YBTSSFESBTR8430	391

<i>pattern no.</i>	<i>page</i>	<i>pattern no.</i>	<i>page</i>	<i>pattern no.</i>	<i>page</i>	<i>pattern no.</i>	<i>page</i>
YBTSSFEXBNN5427	393	YBTSSFEXBTL6024	395	YBTSSFEXBTS6030	397	YCB41	93
YBTSSFEXBNN5430	394	YBTSSFEXBTL6027	396	YBTSSFEXBTS6624	395	YCB42	92
YBTSSFEXBNN6024	392	YBTSSFEXBTL6030	397	YBTSSFEXBTS6627	396	YCB46	93
YBTSSFEXBNN6027	393	YBTSSFEXBTL6624	395	YBTSSFEXBTS6630	397	YCB47	93
YBTSSFEXBNN6030	394	YBTSSFEXBTL6627	396	YBTSSFEXBTS7224	395	YCB48	92
YBTSSFEXBNN6624	392	YBTSSFEXBTL6630	397	YBTSSFEXBTS7227	396	YCB52	93
YBTSSFEXBNN6627	393	YBTSSFEXBTL7224	395	YBTSSFEXBTS7230	397	YCB53	93
YBTSSFEXBNN6630	394	YBTSSFEXBTL7227	396	YBTSSFEXBTS7824	395	YCB54	92
YBTSSFEXBNN7224	392	YBTSSFEXBTL7230	397	YBTSSFEXBTS7827	396	YCB58	93
YBTSSFEXBNN7227	393	YBTSSFEXBTL7824	395	YBTSSFEXBTS7830	397	YCB59	93
YBTSSFEXBNN7230	394	YBTSSFEXBTL7827	396	YBTSSFEXBTS8424	395	YCB60	92
YBTSSFEXBNN7824	392	YBTSSFEXBTL7830	397	YBTSSFEXBTS8427	396	YCB64	93
YBTSSFEXBNN7827	393	YBTSSFEXBTL8424	395	YBTSSFEXBTS8430	397	YCB65	93
YBTSSFEXBNN7830	394	YBTSSFEXBTL8427	396	YBTYESBN148	408	YCB66	92
YBTSSFEXBNN8424	392	YBTSSFEXBTL8430	397	YBTYESBN154	408	YCB70	93
YBTSSFEXBNN8427	393	YBTSSFEXBTN4824	395	YBTYESBN160	408	YCB71	93
YBTSSFEXBNN8430	394	YBTSSFEXBTN4827	396	YBTYESBN248	408	YCB72	92
YBTSSFEXBNR4824	392	YBTSSFEXBTN4830	397	YBTYESBN254	408	YCB76	93
YBTSSFEXBNR4827	393	YBTSSFEXBTN5424	395	YBTYESBN260	408	YCB77	93
YBTSSFEXBNR4830	394	YBTSSFEXBTN5427	396	YBTYESBN348	409	YCB78	92
YBTSSFEXBNR5424	392	YBTSSFEXBTN5430	397	YBTYESBN354	409	YCB82	93
YBTSSFEXBNR5427	393	YBTSSFEXBTN6024	395	YBTYESBN360	409	YCB83	93
YBTSSFEXBNR5430	394	YBTSSFEXBTN6027	396	YBTYESBNN48	408	YCB84	92
YBTSSFEXBNR6024	392	YBTSSFEXBTN6030	397	YBTYESBNN54	408	YCB88	93
YBTSSFEXBNR6027	393	YBTSSFEXBTN6624	395	YBTYESBNN60	408	YCB89	93
YBTSSFEXBNR6030	394	YBTSSFEXBTN6627	396	YBTYESBT148	406	YCB90	92
YBTSSFEXBNR6624	392	YBTSSFEXBTN6630	397	YBTYESBT154	406	YCB94	93
YBTSSFEXBNR6627	393	YBTSSFEXBTN7224	395	YBTYESBT160	406	YCB95	93
YBTSSFEXBNR6630	394	YBTSSFEXBTN7227	396	YBTYESBT248	406	YCB96	92
YBTSSFEXBNR7224	392	YBTSSFEXBTN7230	397	YBTYESBT254	406	YCBCC24	92, 452
YBTSSFEXBNR7227	393	YBTSSFEXBTN7824	395	YBTYESBT260	406	YCBCC30	92, 452
YBTSSFEXBNR7230	394	YBTSSFEXBTN7827	396	YBTYESBT348	407	YCBCC36	92, 452
YBTSSFEXBNR7824	392	YBTSSFEXBTN7830	397	YBTYESBT354	407	YCBCC48	92, 452
YBTSSFEXBNR7827	393	YBTSSFEXBTN8424	395	YBTYESBT360	407	YCBCC54	92
YBTSSFEXBNR7830	394	YBTSSFEXBTN8427	396	YBTYESBTN48	406	YCBCC60	92, 452
YBTSSFEXBNR8424	392	YBTSSFEXBTN8430	397	YBTYESBTN54	406	YCBCC66	92, 452
YBTSSFEXBNR8427	393	YBTSSFEXBTR4824	395	YBTYESBTN60	406	YCBCC72	92, 452
YBTSSFEXBNR8430	394	YBTSSFEXBTR4827	396	YBTYEXBN148	412	YCBCC78	92
YBTSSFEXBNS4824	392	YBTSSFEXBTR4830	397	YBTYEXBN154	412	YCBCC84	92
YBTSSFEXBNS4827	393	YBTSSFEXBTR5424	395	YBTYEXBN160	412	YCBCC90	92
YBTSSFEXBNS4830	394	YBTSSFEXBTR5427	396	YBTYEXBN248	412	YCBCC96	92
YBTSSFEXBNS5424	392	YBTSSFEXBTR5430	397	YBTYEXBN254	412	YCBCE	92
YBTSSFEXBNS5427	393	YBTSSFEXBTR6024	395	YBTYEXBN260	412	YCBPE	92
YBTSSFEXBNS5430	394	YBTSSFEXBTR6027	396	YBTYEXBN348	413	YCBT36	92
YBTSSFEXBNS6024	392	YBTSSFEXBTR6030	397	YBTYEXBN354	413	YCBT42	92
YBTSSFEXBNS6027	393	YBTSSFEXBTR6624	395	YBTYEXBN360	413	YCBT48	92
YBTSSFEXBNS6030	394	YBTSSFEXBTR6627	396	YBTYEXBNN48	412	YCBT54	92
YBTSSFEXBNS6624	392	YBTSSFEXBTR6630	397	YBTYEXBNN54	412	YCBT60	92
YBTSSFEXBNS6627	393	YBTSSFEXBTR7224	395	YBTYEXBNN60	412	YCBT66	92
YBTSSFEXBNS6630	394	YBTSSFEXBTR7227	396	YBTYEXBT148	410	YCBT72	92
YBTSSFEXBNS7224	392	YBTSSFEXBTR7230	397	YBTYEXBT154	410	YCBT78	92
YBTSSFEXBNS7227	393	YBTSSFEXBTR7824	395	YBTYEXBT160	410	YCBT84	92
YBTSSFEXBNS7230	394	YBTSSFEXBTR7827	396	YBTYEXBT248	410	YCBT90	92
YBTSSFEXBNS7824	392	YBTSSFEXBTR7830	397	YBTYEXBT254	410	YCBT96	92
YBTSSFEXBNS7827	393	YBTSSFEXBTR8424	395	YBTYEXBT260	410	YEL2A18	102
YBTSSFEXBNS7830	394	YBTSSFEXBTR8427	396	YBTYEXBT348	411	YEL2A24	102
YBTSSFEXBNS8424	392	YBTSSFEXBTR8430	397	YBTYEXBT354	411	YEL2A27	102
YBTSSFEXBNS8427	393	YBTSSFEXBTS4824	395	YBTYEXBT360	411	YEL2A30	102
YBTSSFEXBNS8430	394	YBTSSFEXBTS4827	396	YBTYEXBTN48	410	YEL2A36	102
YBTSSFEXBTL4824	395	YBTSSFEXBTS4830	397	YBTYEXBTN54	410	YEL2A42	102
YBTSSFEXBTL4827	396	YBTSSFEXBTS5424	395	YBTYEXBTN60	410	YEL2DA18	108
YBTSSFEXBTL4830	397	YBTSSFEXBTS5427	396	YCB34	93	YEL2DA24	108
YBTSSFEXBTL5424	395	YBTSSFEXBTS5430	397	YCB35	93	YEL2DA27	108
YBTSSFEXBTL5427	396	YBTSSFEXBTS6024	395	YCB36	92	YEL2DA30	108
YBTSSFEXBTL5430	397	YBTSSFEXBTS6027	396	YCB40	93	YEL2DA36	108

<i>pattern no.</i>	<i>page</i>	<i>pattern no.</i>	<i>page</i>	<i>pattern no.</i>	<i>page</i>	<i>pattern no.</i>	<i>page</i>
YEL2DA38	114	YELSCD30	106	YEP1723	140	YEP4259	149
YEL2DA50	114	YELSCD36	106	YEP1724	140	YEP4262ES	424
YEL2DA62	114	YELSCD42	106	YEP1726	140	YEP4262ESL	424
YEL2SA18	106	YELSCD48	106	YEP1727	140	YEP4262ESR	424
YEL2SA24	106	YELSD18	106	YEP1729	140	YEP4262EX	425
YEL2SA27	106	YELSD24	106	YEP1730	140	YEP4262EXL	425
YEL2SA30	106	YELSD27	106	YEP1735	140	YEP4262EXR	425
YEL2SA36	106	YELSD30	106	YEP1736	140	YEP4265	149
YEL2SA42	106	YELSD36	106	YEP1740	143	YEP4268ES	424
YEL2SA48	106	YELSD42	106	YEP1752	143	YEP4268EX	425
YEL2SSDB22L	126	YELSD48	106	YEP1758	143	YEP4277	149
YEL2SSDB22R	126	YELSD53	111	YEP1764	143	YEP4953	149
YEL2SSDB28L	126	YELSD59	111	YEP1776	143	YEP4956ES	424
YEL2SSDB28R	126	YELSD65	111	YEP2617	141	YEP4956EX	425
YEL2SSDB34L	126	YELSSAF28L	131	YEP2618	141	YEP4959	149
YEL2SSDB34R	126	YELSSAF28R	131	YEP2623	141	YEP4962ES	424
YEL3SSAB22L	128	YELSSAF34L	131	YEP2624	141	YEP4962ESL	424
YEL3SSAB22R	128	YELSSAF34R	131	YEP2626	141	YEP4962ESR	424
YEL3SSAB28L	128	YELSSAF40L	131	YEP2627	141	YEP4962EX	425
YEL3SSAB28R	128	YELSSAF40R	131	YEP2629	141	YEP4962EXL	425
YEL3SSAB34L	128	YELSSDF28L	129	YEP2630	141	YEP4962EXR	425
YEL3SSAB34R	128	YELSSDF28R	129	YEP2635	141	YEP4965	149
YELCD18	102	YELSSDF34L	129	YEP2636	141	YEP4968ES	424
YELCD24	102	YELSSDF34R	129	YEP2640	143	YEP4968EX	425
YELCD27	102	YELSSDF40L	129	YEP2652	143	YEP4977	149
YELCD30	102	YELSSDF40R	129	YEP2658	143	YEP5653	149
YELCD36	102	YELSSDB30L	126	YEP2664	143	YEP5659	149
YELCM18	102	YELSSDB30R	126	YEP2676	143	YEP5665	149
YELCM24	102	YELSSDB33L	126	YEP2717	141	YEPH3641	147
YELCM27	102	YELSSDB33R	126	YEP2718	141	YEPH3653	147
YELCM30	102	YELSSDB36L	126	YEP2723	141	YEPH3659	147
YELCM36	102	YELSSDB36R	126	YEP2724	141	YEPH3665	147
YELD18	102	YELSSDF36L	129	YEP2726	141	YEPSSF2831L	146
YELD24	102	YELSSDF36R	129	YEP2727	141	YEPSSF2831R	146
YELD27	102	YELSSDF39L	129	YEP2729	141	YEPSSF2837L	146
YELD30	102	YELSSDF39R	129	YEP2730	141	YEPSSF2837R	146
YELD36	102	YELSSDF42L	129	YEP2735	141	YEPSSF2840L	146
YELD42	102	YELSSDF42R	129	YEP2736	141	YEPSSF2840R	146
YELDD18	108	YELWDD53	111	YEP2841	145	YEPSSF2843L	146
YELDD24	108	YELWDD59	111	YEP2853	145	YEPSSF2843R	146
YELDD27	108	YELWDD65	111	YEP2856ES	424	YEPSSF2849L	146
YELDD30	108	YELWSSDB30L	127	YEP2856EX	425	YEPSSF2849R	146
YELDD36	108	YELWSSDB30R	127	YEP2859	145	YEPT4253	147
YELDD38	111	YELWSSDB33L	127	YEP2862ES	424	YEPT4259	147
YELDD50	111	YELWSSDB33R	127	YEP2862ESL	424	YEPT4265	147
YELDD62	111	YELWSSDB36L	127	YEP2862ESR	424	YEPTSSFES2824L	426
YELDH38	118	YELWSSDB36R	127	YEP2862EX	425	YEPTSSFES2824R	427
YELDH50	118	YELWSSDF36L	130	YEP2862EXL	425	YEPTSSFES2827L	426
YELDH50B	119	YELWSSDF36R	130	YEP2862EXR	425	YEPTSSFES2827R	427
YELDHB	119	YELWSSDF39L	130	YEP2865	145	YEPTSSFES2830L	426
YELDT50	122	YELWSSDF39R	130	YEP2868ES	424	YEPTSSFES2830R	427
YELDT50B	123	YELWSSDF42L	130	YEP2868EX	425	YEPTSSFES4224L	426
YELDTB	123	YELWSSDF42R	130	YEP2877	145	YEPTSSFES4224R	427
YELDW	104	YEP1617	140	YEP2SSB2825L	146	YEPTSSFES4227L	426
YELH24	102	YEP1618	140	YEP2SSB2825R	146	YEPTSSFES4227R	427
YELH27	102	YEP1623	140	YEP2SSB2831L	146	YEPTSSFES4230L	426
YELH30	102	YEP1624	140	YEP2SSB2831R	146	YEPTSSFES4230R	427
YELH36	102	YEP1626	140	YEP2SSB2834L	146	YEPTSSFES4924L	426
YELH42	102	YEP1627	140	YEP2SSB2834R	146	YEPTSSFES4924R	427
YELP24	103	YEP1629	140	YEP2SSB2837L	146	YEPTSSFES4927L	426
YELP27	103	YEP1630	140	YEP2SSB2837R	146	YEPTSSFES4927R	427
YELP30	103	YEP1635	140	YEP2SSB2843	146	YEPTSSFES4930L	426
YELP36	103	YEP1636	140	YEP4253	149	YEPTSSFES4930R	427
YELSCD24	106	YEP1717	140	YEP4256ES	424	YEPTSSFEX2824L	428
YELSCD27	106	YEP1718	140	YEP4256EX	425	YEPTSSFEX2824R	429

<i>pattern no.</i>	<i>page</i>	<i>pattern no.</i>	<i>page</i>	<i>pattern no.</i>	<i>page</i>	<i>pattern no.</i>	<i>page</i>
YEPTSSFEX2827L	428	YFC1724V	198	YHP1A28C	451	YHP1K3025P2C	448
YEPTSSFEX2827R	429	YFC1736L	197	YHP1A28G	451	YHP1K3025P2G	448
YEPTSSFEX2830L	428	YFC1736P	196	YHP1AP2408	474	YHP1K3028NC	449
YEPTSSFEX2830R	429	YFC1736V	198	YHP1AP3008	474	YHP1K3028NG	449
YEPTSSFEX4224L	428	YFC1748L	197	YHP1AP3608	474	YHP1K3028P1C	449
YEPTSSFEX4224R	429	YFC1748P	196	YHP1AP4808	474	YHP1K3028P1G	449
YEPTSSFEX4227L	428	YFC1748V	198	YHP1AS24	472	YHP1K3028P2C	449
YEPTSSFEX4227R	429	YFC1760L	197	YHP1AS30	472	YHP1K3028P2G	449
YEPTSSFEX4230L	428	YFC1760P	196	YHP1AS36	472	YHP1K3625NC	448
YEPTSSFEX4230R	429	YFC1772L	197	YHP1B36	452	YHP1K3625NG	448
YEPTSSFEX4924L	428	YFC1772P	196	YHP1B48	452	YHP1K3625P1C	448
YEPTSSFEX4924R	429	YFC2324NL	201	YHP1B60	452	YHP1K3625P1G	448
YEPTSSFEX4927L	428	YFC2324NP	200	YHP1B66	452	YHP1K3625P2C	448
YEPTSSFEX4927R	429	YFC2324NV	202	YHP1B72	452	YHP1K3625P2G	448
YEPTSSFEX4930L	428	YFC2336NL	201	YHP1BAK	457	YHP1K3628NC	449
YEPTSSFEX4930R	429	YFC2336NP	200	YHP1BC	467	YHP1K3628NG	449
YFC0912C	191	YFC2336NV	202	YHP1C362P	454	YHP1K3628P1C	449
YFC0912L	193	YFC2348NL	201	YHP1C36N	454	YHP1K3628P1G	449
YFC0912P	192	YFC2348NP	200	YHP1C484P	454	YHP1K3628P2C	449
YFC0912S	191	YFC2348NV	202	YHP1C48N	454	YHP1K3628P2G	449
YFC0912V	194	YFC2360NL	201	YHP1C602P	454	YHP1K4825NC	448
YFC0924C	191	YFC2360NP	200	YHP1C604P	454	YHP1K4825NG	448
YFC0924L	193	YFC2372NL	201	YHP1C60N	454	YHP1K4825P1C	448
YFC0924P	192	YFC2372NP	200	YHP1C662P	454	YHP1K4825P1G	448
YFC0924S	191	YFC2624NL	201	YHP1C664P	454	YHP1K4825P2C	448
YFC0924V	194	YFC2624NP	200	YHP1C66N	454	YHP1K4825P2G	448
YFC0936C	191	YFC2624NV	202	YHP1C722P	454	YHP1K4828NC	449
YFC0936L	193	YFC2636NL	201	YHP1C724P	454	YHP1K4828NG	449
YFC0936P	192	YFC2636NP	200	YHP1C72N	454	YHP1K4828P1C	449
YFC0936S	191	YFC2636NV	202	YHP1CMB	466	YHP1K4828P1G	449
YFC0936V	194	YFC2648NL	201	YHP1DAK28	457	YHP1K4828P2C	449
YFC0948C	191	YFC2648NP	200	YHP1DP3608L	474	YHP1K4828P2G	449
YFC0948L	193	YFC2648NV	202	YHP1DP4808L	474	YHP1KUB30	487, 489
YFC0948P	192	YFC2660NL	201	YHP1DP6008L	474	YHP1KUB36	487, 489
YFC0948S	191	YFC2660NP	200	YHP1DP6608L	474	YHP1KUB48	487, 489
YFC0948V	194	YFC2672NL	201	YHP1DP7208L	474	YHP1M25	451
YFC0960C	191	YFC2672NP	200	YHP1F	491	YHP1M28	451
YFC0960L	193	YFCC48	183	YHP1HEK160	463	YHP1OF	466
YFC0960P	192	YFCC60	183	YHP1HEK166	463	YHP1SAK28	457
YFC0960S	191	YFCC72	183	YHP1HEK172	463	YHP1SDK4825	479
YFC0972C	191	YFCHOC	191	YHP1HEK260	463	YHP1SDK4828	484
YFC0972L	193	YFCOC	191	YHP1HEK266	463	YHP1SDK6025	479
YFC0972P	192	YFF2148	175	YHP1HEK272	463	YHP1SDK6028	484
YFC0972S	191	YFF2160	175	YHP1HTK160	463	YHP1SDK6625	479
YFC1412L	197	YFF2172	175	YHP1HTK166	463	YHP1SDK6628	484
YFC1412P	196	YFJE25	183	YHP1HTK172	463	YHP1SDK7225	479
YFC1412V	198	YFJE28	183	YHP1HTK260	463	YHP1SDK7228	484
YFC1424L	197	YFJL25	184	YHP1HTK266	463	YHP1SDKL4825	480
YFC1424P	196	YFJL28	184	YHP1HTK272	463	YHP1SDKL4828	485
YFC1424V	198	YFJT25	184	YHP1K2425NC	448	YHP1SDKL6025	480
YFC1436L	197	YFJT28	184	YHP1K2425NG	448	YHP1SDKL6028	485
YFC1436P	196	YFJV25	184	YHP1K2425P1C	448	YHP1SDKL6625	480
YFC1436V	198	YFJV28	184	YHP1K2425P1G	448	YHP1SDKL6628	485
YFC1448L	197	YFJX25	184	YHP1K2425P2C	448	YHP1SDKL7225	480
YFC1448P	196	YFJX28	184	YHP1K2425P2G	448	YHP1SDKL7228	485
YFC1448V	198	YFJY25	184	YHP1K2428NC	449	YHP1SDKR4825	481
YFC1460L	197	YFJY28	184	YHP1K2428NG	449	YHP1SDKR4828	486
YFC1460P	196	YFL25	175	YHP1K2428P1C	449	YHP1SDKR6025	481
YFC1472L	197	YFL28	175	YHP1K2428P1G	449	YHP1SDKR6028	486
YFC1472P	196	YFLSF	175	YHP1K2428P2C	449	YHP1SDKR6625	481
YFC1712L	197	YFTC48	183	YHP1K2428P2G	449	YHP1SDKR6628	486
YFC1712P	196	YFTC60	183	YHP1K3025NC	448	YHP1SDKR7225	481
YFC1712V	198	YFTC72	183	YHP1K3025NG	448	YHP1SDKR7228	486
YFC1724L	197	YHP1A25C	451	YHP1K3025P1C	448	YHP1SKA	487
YFC1724P	196	YHP1A25G	451	YHP1K3025P1G	448	YHP1SKM	487

<i>pattern no.</i>	<i>page</i>	<i>pattern no.</i>	<i>page</i>	<i>pattern no.</i>	<i>page</i>	<i>pattern no.</i>	<i>page</i>
YHP1SMS2425	489	YHP1SSDL6628	485	YILDD48	112	YKTRC7227YESGL	421
YHP1SMS2428	489	YHP1SSDL7225	480	YILDD50	112	YKTRC7227YESNL	421
YHP1SMS3025	489	YHP1SSDL7228	485	YILDD62	112	YKTRC7227YESRGL	421
YHP1SMS3028	489	YHP1SSDR4825	481	YILDH35	118	YKTRC7227YESRNL	421
YHP1SMS3625	489	YHP1SSDR4828	486	YILDH38	118	YKTRC7230YESGL	421
YHP1SMS3628	489	YHP1SSDR6025	481	YILDH50	118	YKTRC7230YESNL	421
YHP1SMS4825	489	YHP1SSDR6028	486	YILDHB	118	YKTRC7230YESRGL	421
YHP1SMS4828	489	YHP1SSDR6625	481	YILD35	122	YKTRC7230YESRNL	421
YHP1SOE2425	477	YHP1SSDR6628	486	YILD38	122	YKTRC7236YESGL	421
YHP1SOE2428	482	YHP1SSDR7225	481	YILSSAF26	131	YKTRC7236YESNL	421
YHP1SOE3025	477	YHP1SSDR7228	486	YILSSAF28	131	YKTRC8442YESGL	421
YHP1SOE3028	482	YHP1SWS2425	477	YILSSAF32	131	YKTRC8442YESNL	421
YHP1SOE3625	477	YHP1SWS2428	482	YILSSAF34	131	YKTS3030D	32
YHP1SOE3628	482	YHP1SWS3025	477	YILSSAF40	131	YKTS3030DG	33
YHP1SOE4825	477	YHP1SWS3028	482	YILSSDF26	130	YKTS3030L	32
YHP1SOE4828	482	YHP1SWS3625	477	YILSSDF28	130	YKTS3030LG	33
YHP1SOE6025	477	YHP1SWS3628	482	YILSSDF32	130	YKTS3030M	32
YHP1SOE6028	482	YHP1SWS4825	477	YILSSDF34	130	YKTS3030MG	33
YHP1SOE6625	477	YHP1SWS4828	482	YILSSDF40	130	YKTS3618SDCN	350
YHP1SOE6628	482	YHP1SWS6025	477	YKLB	365	YKTS3618SDHN	350
YHP1SOE7225	477	YHP1SWS6028	482	YKME4DA	39	YKTS3618SDLN	350
YHP1SOE7228	482	YHP1SWS6625	477	YKME7854HE	39	YKTS3624SDCN	351
YHP1SOEL4825	478	YHP1SWS6628	482	YKME7854NE	39	YKTS3624SDHN	351
YHP1SOEL4828	483	YHP1SWS7225	477	YKPTS3030D	34	YKTS3624SDLN	351
YHP1SOEL6025	478	YHP1SWS7228	482	YKPTS3030L	34	YKTS3627SDCN	352
YHP1SOEL6028	483	YHP1UP3612	474	YKPTS3030M	34	YKTS3627SDHN	352
YHP1SOEL6625	478	YHP1UP4812	474	YKPTS3636D	34	YKTS3627SDLN	352
YHP1SOEL6628	483	YHP1UP6012	474	YKPTS4242D	34	YKTS3630SDCN	353
YHP1SOEL7225	478	YHP1UP6612	474	YKPTS4824D	34	YKTS3630SDHN	353
YHP1SOEL7228	483	YHP1UP7212	474	YKPTS4848D	34	YKTS3630SDLN	353
YHP1SOER4825	478	YHP1VWM18	467	YKPTS5427D	34	YKTS3636D	32
YHP1SOER4828	483	YHP1VWM21	467	YKPTS6030D	34	YKTS3636DG	33
YHP1SOER6025	478	YHP2C362H	454	YKPTS7236D	34	YKTS3636SDCN	354, 355
YHP1SOER6028	483	YHP2C484H	454	YKPTS8442D	34	YKTS3636SDHN	354, 355
YHP1SOER6625	478	YHP2C602H	454	YKSI	366	YKTS3636SDLN	354, 355
YHP1SOER6628	483	YHP2C604H	454	YKTB7236YESG	420	YKTS4218SDCN	350
YHP1SOER7225	478	YHP2C662H	454	YKTB8442YESG	420	YKTS4218SDHN	350
YHP1SOER7228	483	YHP2C664H	454	YKTCG	443	YKTS4218SDLN	350
YHP1SOS2425	477	YHP2C722H	454	YKTR36SDCN	356	YKTS4224SDCN	351
YHP1SOS2428	482	YHP2C724H	454	YKTR36SDHN	356	YKTS4224SDHN	351
YHP1SOS3025	477	YHP2HOK1	464	YKTR36SDLN	356	YKTS4224SDLN	351
YHP1SOS3028	482	YHP2HOK148	464	YKTR36YDG	37	YKTS4227SDCN	352
YHP1SOS3625	477	YHP2HOK2	464	YKTR36YHG	37	YKTS4227SDHN	352
YHP1SOS3628	482	YHP2HOK248	464	YKTR36YMG	37	YKTS4227SDLN	352
YHP1SOS4825	477	YIL2DA1	115	YKTR42D	32	YKTS4230SDCN	353
YHP1SOS4828	482	YIL2DA24	114	YKTR42DG	33	YKTS4230SDHN	353
YHP1SOS6025	477	YIL2DA35	114	YKTR42L	32	YKTS4230SDLN	353
YHP1SOS6028	482	YIL2DA38	114	YKTR42LG	33	YKTS4236SDCN	354
YHP1SOS6625	477	YIL2DA48	114	YKTR42M	32	YKTS4236SDHN	354
YHP1SOS6628	482	YIL2DA50	114	YKTR42MG	33	YKTS4236SDLN	354
YHP1SOS7225	477	YIL2DA62	114	YKTR42SDCN	356	YKTS4242D	32
YHP1SOS7228	482	YIL2SSDB20	127	YKTR42SDHN	356	YKTS4242DG	33
YHP1SSD4825	479	YIL2SSDB22	127	YKTR42SDLN	356	YKTS4242SDCN	355
YHP1SSD4828	484	YIL2SSDB26	127	YKTR42YDG	37	YKTS4242SDHN	355
YHP1SSD6025	479	YIL2SSDB28	127	YKTR42YMG	37	YKTS4242SDLN	355
YHP1SSD6028	484	YIL2SSDB34	127	YKTR48D	32	YKTS4818SDCN	350
YHP1SSD6625	479	YIL3SSAB20	128	YKTR48DG	33	YKTS4818SDHN	350
YHP1SSD6628	484	YIL3SSAB22	128	YKTRC6027YESGL	421	YKTS4818SDLN	350
YHP1SSD7225	479	YIL3SSAB26	128	YKTRC6027YESNL	421	YKTS4824D	32
YHP1SSD7228	484	YIL3SSAB28	128	YKTRC6030YESGL	421	YKTS4824DG	33
YHP1SSDL4825	480	YIL3SSAB34	128	YKTRC6030YESNL	421	YKTS4824SDCN	351
YHP1SSDL4828	485	YILDD1	113	YKTRC6627YESGL	421	YKTS4824SDHN	351
YHP1SSDL6025	480	YILDD24	112	YKTRC6627YESNL	421	YKTS4824SDLN	351
YHP1SSDL6028	485	YILDD35	112	YKTRC6630YESGL	421	YKTS4827SDCN	352
YHP1SSDL6625	480	YILDD38	112	YKTRC6630YESNL	421	YKTS4827SDHN	352

<i>pattern no.</i>	<i>page</i>	<i>pattern no.</i>	<i>page</i>	<i>pattern no.</i>	<i>page</i>	<i>pattern no.</i>	<i>page</i>
YKTS4827SDLN	352	YKTS7224SDCN	351	YKTT7236YESG	420	YMPT1778	359
YKTS4830SDCN	353	YKTS7224SDHN	351	YKTT7236YHG	37	YMPT1784	359
YKTS4830SDHN	353	YKTS7224SDLN	351	YKTT8442D	32	YMPT2636	360
YKTS4830SDLN	353	YKTS7227SDCN	352	YKTT8442DG	33	YMPT2642	360
YKTS4836SDCN	354	YKTS7227SDHN	352	YKTT8442YDG	37	YMPT2648	360
YKTS4836SDHN	354	YKTS7227SDLN	352	YKTT8442YESG	420	YMPT2654	360
YKTS4836SDLN	354	YKTS7227YESG	420	YKTT8442YHG	37	YMPT2660	360
YKTS4848D	32	YKTS7227YESRC	420	YKTT9648D	32	YMPT2666	360
YKTS4848DG	33	YKTS7230SDCN	353	YKTT9648DG	33	YMPT2672	360
YKTS5418SDCN	350	YKTS7230SDHN	353	YL4L17	301	YMPT2678	360
YKTS5418SDHN	350	YKTS7230SDLN	353	YL4L31	301	YMPT2684	360
YKTS5418SDLN	350	YKTS7230YESG	420	YL4L44	301	YMPT2736	360
YKTS5424SDCN	351	YKTS7230YESRC	420	YL4L58	301	YMPT2742	360
YKTS5424SDHN	351	YKTS7236D	32	YMP1636	133	YMPT2748	360
YKTS5424SDLN	351	YKTS7236DG	33	YMP1642	133	YMPT2754	360
YKTS5427D	32	YKTS7236SDCN	354	YMP1648	133	YMPT2760	360
YKTS5427DG	33	YKTS7236SDHN	354	YMP1654	133	YMPT2766	360
YKTS5427SDCN	352	YKTS7236SDLN	354	YMP1660	133	YMPT2772	360
YKTS5427SDHN	352	YKTS7236YDG	37	YMP1666	133	YMPT2778	360
YKTS5427SDLN	352	YKTS7236YESG	420	YMP1672	133	YMPT2784	360
YKTS5430SDCN	353	YKTS7236YHG	37	YMP1678	133	YP3018	62
YKTS5430SDHN	353	YKTS7818SDCN	350	YMP1684	133	YP3024	62
YKTS5430SDLN	353	YKTS7818SDHN	350	YMP1736	133	YP3027	63
YKTS5436SDCN	354	YKTS7818SDLN	350	YMP1742	133	YP3030	63
YKTS5436SDHN	354	YKTS7824SDCN	351	YMP1748	133	YP3036	64
YKTS5436SDLN	354	YKTS7824SDHN	351	YMP1754	133	YP3048	64
YKTS6018SDCN	350	YKTS7824SDLN	351	YMP1760	133	YP3618	62
YKTS6018SDHN	350	YKTS7827SDCN	352	YMP1766	133	YP3624	62
YKTS6018SDLN	350	YKTS7827SDHN	352	YMP1772	133	YP3627	63
YKTS6024SDCN	351	YKTS7827SDLN	352	YMP1778	133	YP3630	63
YKTS6024SDHN	351	YKTS7830SDCN	353	YMP1784	133	YP3636	64
YKTS6024SDLN	351	YKTS7830SDHN	353	YMP2636	134	YP3648	64
YKTS6027SDCN	352	YKTS7830SDLN	353	YMP2642	134	YP4218	62
YKTS6027SDHN	352	YKTS7836SDCN	354	YMP2648	134	YP4224	62
YKTS6027SDLN	352	YKTS7836SDHN	354	YMP2654	134	YP4227	63
YKTS6027YESG	420	YKTS7836SDLN	354	YMP2660	134	YP4230	63
YKTS6030D	32	YKTS8418SDCN	350	YMP2666	134	YP4236	64
YKTS6030DG	33	YKTS8418SDHN	350	YMP2672	134	YP4242	64
YKTS6030SDCN	353	YKTS8418SDLN	350	YMP2678	134	YP4248	64
YKTS6030SDHN	353	YKTS8424SDCN	351	YMP2684	134	YP4818	62
YKTS6030SDLN	353	YKTS8424SDHN	351	YMP2736	134	YP4824	62
YKTS6030YESG	420	YKTS8424SDLN	351	YMP2742	134	YP4827	63
YKTS6036SDCN	354	YKTS8427SDCN	352	YMP2748	134	YP4830	63
YKTS6036SDHN	354	YKTS8427SDHN	352	YMP2754	134	YP4836	64
YKTS6036SDLN	354	YKTS8427SDLN	352	YMP2760	134	YP4848	64
YKTS6618SDCN	350	YKTS8430SDCN	353	YMP2766	134	YP5418	62
YKTS6618SDHN	350	YKTS8430SDHN	353	YMP2772	134	YP5424	62
YKTS6618SDLN	350	YKTS8430SDLN	353	YMP2778	134	YP5427	63
YKTS6624SDCN	351	YKTS8436SDCN	354	YMP2784	134	YP5430	63
YKTS6624SDHN	351	YKTS8436SDHN	354	YMPT1636	359	YP5436	64
YKTS6624SDLN	351	YKTS8436SDLN	354	YMPT1642	359	YP5448	64
YKTS6627SDCN	352	YKTS8442D	32	YMPT1648	359	YP6018	62
YKTS6627SDHN	352	YKTS8442DG	33	YMPT1654	359	YP6024	62
YKTS6627SDLN	352	YKTS8442YDG	37	YMPT1660	359	YP6027	63
YKTS6627YESG	420	YKTS8442YESG	420	YMPT1666	359	YP6030	63
YKTS6630SDCN	353	YKTS8442YHG	37	YMPT1672	359	YP6036	64
YKTS6630SDHN	353	YKTT6030YESG	420	YMPT1678	359	YP6048	64
YKTS6630SDLN	353	YKTT6630YESG	420	YMPT1684	359	YP6618	62
YKTS6630YESG	420	YKTT7230YESG	420	YMPT1736	359	YP6624	62
YKTS6636SDCN	354	YKTT7236D	32	YMPT1742	359	YP6627	63
YKTS6636SDHN	354	YKTT7236DG	33	YMPT1748	359	YP6630	63
YKTS6636SDLN	354	YKTT7236SDCN	357	YMPT1754	359	YP6636	64
YKTS7218SDCN	350	YKTT7236SDHN	357	YMPT1760	359	YP6648	64
YKTS7218SDHN	350	YKTT7236SDLN	357	YMPT1766	359	YP7218	62
YKTS7218SDLN	350	YKTT7236YDG	37	YMPT1772	359	YP7224	62

<i>pattern no.</i>	<i>page</i>	<i>pattern no.</i>	<i>page</i>	<i>pattern no.</i>	<i>page</i>	<i>pattern no.</i>	<i>page</i>
YP7227	63	YPB7224	65	YPH7227	67	YPSB2659	431
YP7230	63	YPB7227	65	YPH7230	68	YPSB2659F	430
YP7236	64	YPB7230	66	YPH7236	68	YPSB2660	207
YP7248	64	YPB7236	66	YPH7818	67	YPSB2660F	205
YP7818	62	YPB7818	65	YPH7824	67	YPSB2665	431
YP7824	62	YPB7824	65	YPH7827	67	YPSB2665FRR	430
YP7827	63	YPB7827	65	YPH7830	68	YPSB2666	207
YP7830	63	YPB7830	66	YPH7836	68	YPSB2666FRR	205
YP7836	64	YPB7836	66	YPH8418	67	YPSB2671	431
YP7848	64	YPB8418	65	YPH8424	67	YPSB2671FRR	430
YP8418	62	YPB8424	65	YPH8427	67	YPSB2672	207
YP8424	62	YPB8427	65	YPH8430	68	YPSB2672FRR	205
YP8427	63	YPB8430	66	YPH8436	68	YPSB2677	431
YP8430	63	YPB8436	66	YPSB2024	206	YPSB2677FRR	430
YP8436	64	YPB9018	65	YPSB2024F	204	YPSB2683	431
YP8442	64	YPB9024	65	YPSB2027	206	YPSB2683FRR	430
YP8448	64	YPB9027	65	YPSB2027F	204	YPSB3224	206
YP9018	62	YPB9030	66	YPSB2030	206	YPSB3224F	204
YP9024	62	YPB9036	66	YPSB2030F	204	YPSB3227	206
YP9027	63	YPB9618	65	YPSB2036	206	YPSB3227F	204
YP9030	63	YPB9624	65	YPSB2036F	204	YPSB3230	206
YP9036	64	YPB9627	65	YPSB2042	206	YPSB3230F	204
YP9048	64	YPB9630	66	YPSB2042F	204	YPSB3236	206
YP9618	62	YPB9636	66	YPSB2047	431	YPSB3236F	204
YP9624	62	YPE1524	69	YPSB2047F	430	YPSB3241	220
YP9627	63	YPE1527	69	YPSB2048	206	YPSB3241F	219
YP9630	63	YPE1530	69	YPSB2048F	204	YPSB3242	206
YP9636	64	YPE1536	69	YPSB2053	431	YPSB3242F	204
YP9648	64	YPE1539	69	YPSB2053F	430	YPSB3248	206
YPB3018	65	YPE1541	69	YPSB2054	206	YPSB3248F	204
YPB3024	65	YPE1552	69	YPSB2054F	204	YPSB3253	220
YPB3027	65	YPE1553	69	YPSB2059	431	YPSB3253F	219
YPB3030	66	YPE1558	69	YPSB2059F	430	YPSB3254	206
YPB3036	66	YPE1559	69	YPSB2060	206	YPSB3254F	204
YPB3618	65	YPE1564	69	YPSB2060F	204	YPSB3259	220
YPB3624	65	YPE1565	69	YPSB2065	431	YPSB3259F	219
YPB3627	65	YPE1576	69	YPSB2065FRR	430	YPSB3260	206
YPB3630	66	YPE1577	69	YPSB2066	206	YPSB3260F	204
YPB3636	66	YPE1841	69	YPSB2066FRR	204	YPSB3265	220
YPB4218	65	YPE1853	69	YPSB2071	431	YPSB3265FRR	219
YPB4224	65	YPE1859	69	YPSB2071FRR	430	YPSB3266	206
YPB4227	65	YPE1865	69	YPSB2072	206	YPSB3266FRR	204
YPB4230	66	YPE1877	69	YPSB2072FRR	204	YPSB3272	206
YPB4236	66	YPH4818	67	YPSB2077	431	YPSB3272FRR	204
YPB4818	65	YPH4824	67	YPSB2077FRR	430	YPSB3277	220
YPB4824	65	YPH4827	67	YPSB2083	431	YPSB3277FRR	219
YPB4827	65	YPH4830	68	YPSB2083FRR	430	YPSB3824	207
YPB4830	66	YPH4836	68	YPSB2624	207	YPSB3824F	205
YPB4836	66	YPH5418	67	YPSB2624F	205	YPSB3827	207
YPB5418	65	YPH5424	67	YPSB2627	207	YPSB3827F	205
YPB5424	65	YPH5427	67	YPSB2627F	205	YPSB3830	207
YPB5427	65	YPH5430	68	YPSB2630	207	YPSB3830F	205
YPB5430	66	YPH5436	68	YPSB2630F	205	YPSB3836	207
YPB5436	66	YPH6018	67	YPSB2636	207	YPSB3836F	205
YPB6018	65	YPH6024	67	YPSB2636F	205	YPSB3841	220
YPB6024	65	YPH6027	67	YPSB2642	207	YPSB3841F	219
YPB6027	65	YPH6030	68	YPSB2642F	205	YPSB3842	207
YPB6030	66	YPH6036	68	YPSB2647	431	YPSB3842F	205
YPB6036	66	YPH6618	67	YPSB2647F	430	YPSB3848	207
YPB6618	65	YPH6624	67	YPSB2648	207	YPSB3848F	205
YPB6624	65	YPH6627	67	YPSB2648F	205	YPSB3853	220
YPB6627	65	YPH6630	68	YPSB2653	431	YPSB3853F	219
YPB6630	66	YPH6636	68	YPSB2653F	430	YPSB3854	207
YPB6636	66	YPH7218	67	YPSB2654	207	YPSB3854F	205
YPB7218	65	YPH7224	67	YPSB2654F	205	YPSB3859	220

<i>pattern no.</i>	<i>page</i>	<i>pattern no.</i>	<i>page</i>	<i>pattern no.</i>	<i>page</i>	<i>pattern no.</i>	<i>page</i>
YPSB3359F	219	YPSCT2660	434	YPSE2135F	216	YPSI1436F	212
YPSB3360	207	YPSCT2660F	432	YPSE2136	217	YPSI2116	213
YPSB3360F	205	YPSCT2666	434	YPSE2136F	216	YPSI2116F	212
YPSB3365	220	YPSCT2666FRR	432	YPSF1424	223	YPSI2118	213
YPSB3365FRR	219	YPSCT2672	434	YPSF1424F	222	YPSI2118F	212
YPSB3366	207	YPSCT2672FRR	432	YPSF1436	223	YPSI2119	213
YPSB3366FRR	205	YPSCT2678	434	YPSF1436F	222	YPSI2119F	212
YPSB3372	207	YPSCT2678FRR	432	YPSF1448	223	YPSI2122	213
YPSB3372FRR	205	YPSCT2684	434	YPSF1448F	222	YPSI2122F	212
YPSB3377	220	YPSCT2684FRR	432	YPSF1460	223	YPSI2124	213
YPSB3377FRR	219	YPSCT2948	435	YPSF1460F	222	YPSI2124F	212
YPSC1424	210	YPSCT2948F	433	YPSF1472	223	YPSI2127	213
YPSI1424F	209	YPSCT2954	435	YPSF1472FRR	222	YPSI2127F	212
YPSC1430	210, 470	YPSCT2954F	433	YPSF1724	223	YPSI2128	213
YPSC1430F	209, 469	YPSCT2960	435	YPSF1724F	222	YPSI2128F	212
YPSC1436	210, 470	YPSCT2960F	433	YPSF1736	223	YPSI2130	213
YPSC1436F	209, 469	YPSCT2966	435	YPSF1736F	222	YPSI2130F	212
YPSC1442	210	YPSCT2966FRR	433	YPSF1748	223	YPSI2136	213
YPSC1442F	209	YPSCT2972	435	YPSF1748F	222	YPSI2136F	212
YPSC1448	210, 470	YPSCT2972FRR	433	YPSF1760	223	YPSI10	151
YPSC1448F	209, 469	YPSCT2978	435	YPSF1760F	222	YPSI3248	225
YPSC1454	210	YPSCT2978FRR	433	YPSF1772	223	YR1BCC50	169, 316
YPSC1454F	209	YPSCT2984	435	YPSF1772FRR	222	YR1BCM10	169
YPSC1460	210, 470	YPSCT2984FRR	433	YPSF2124	223	YR1C18D	156, 437
YPSC1460F	209, 469	YPSCT3348	435	YPSF2124F	222	YR1C18S	156, 437
YPSC1466	210, 470	YPSCT3354	435	YPSF2136	223	YR1C30D	156, 437
YPSC1466FRR	209, 469	YPSCT3360	435	YPSF2136F	222	YR1C30S	156, 437
YPSC1472	210, 470	YPSCT3366	435	YPSF2148	223	YR1CB2712B	170
YPSC1472FRR	209, 469	YPSCT3372	435	YPSF2148F	222	YR1CB3912B	170
YPSC2124	210	YPSCT3378	435	YPSF2160	223	YR1CB6906B	170
YPSC2124F	209	YPSCT3384	435	YPSF2160F	222	YR1CB6906H	170
YPSC2130	210, 470	YPSCTGT22	443	YPSF2172	223	YR1CB6906N	170
YPSC2130F	209, 469	YPSCTGT26	443	YPSF2172FRR	222	YR1CB6906S	170
YPSC2136	210, 470	YPSCTGT29	443	YPSF2424	223	YR1CB6912B	170
YPSC2136F	209, 469	YPSCTGT33	443	YPSF2424F	222	YR1CB6912H	170
YPSC2142	210	YPSDF5	151	YPSF2436	223	YR1CBB4	170
YPSC2142F	209	YPSE1418	217	YPSF2436F	222	YR1CBB7	170
YPSC2148	210, 470	YPSE1418F	216	YPSF2448	223	YR1CBC24	171
YPSC2148F	209, 469	YPSE1423	217	YPSF2448F	222	YR1CBC36	171
YPSC2154	210	YPSE1423F	216	YPSF2460	223	YR1CBC42	171
YPSC2154F	209	YPSE1424	217	YPSF2460F	222	YR1CBC48	171
YPSC2160	210, 470	YPSE1424F	216	YPSF2472	223	YR1CBC54	171
YPSC2160F	209, 469	YPSE1427	217	YPSF2472FRR	222	YR1CBC60	171
YPSC2166	210, 470	YPSE1427F	216	YPSFF24	222	YR1CBC66	171
YPSC2166FRR	209, 469	YPSE1429	217	YPSFF36	222	YR1CBC72	171
YPSC2172	210, 470	YPSE1429F	216	YPSFF48	222	YR1CBC78	171
YPSC2172FRR	209, 469	YPSE1430	217	YPSFF60	222	YR1CBC84	171
YPSCT2248	434	YPSE1430F	216	YPSFF72	222	YR1CBE06	171
YPSCT2248F	432	YPSE1435	217	YPSI1416	213	YR1CBE12	171
YPSCT2254	434	YPSE1435F	216	YPSI1416F	212	YR1CBH	170
YPSCT2254F	432	YPSE1436	217	YPSI1418	213	YR1CBX2	170
YPSCT2260	434	YPSE1436F	216	YPSI1418F	212	YR1CC	169
YPSCT2260F	432	YPSE2118	217	YPSI1419	213	YR1CMB	156, 436
YPSCT2266	434	YPSE2118F	216	YPSI1419F	212	YR1CMP	156
YPSCT2266FRR	432	YPSE2123	217	YPSI1422	213	YR1CP	157, 437
YPSCT2272	434	YPSE2123F	216	YPSI1422F	212	YR1D1	158, 436
YPSCT2272FRR	432	YPSE2124	217	YPSI1424	213	YR1D1C	158, 436
YPSCT2278	434	YPSE2124F	216	YPSI1424F	212	YR1D2	158, 436
YPSCT2278FRR	432	YPSE2127	217	YPSI1427	213	YR1D2C	158, 436
YPSCT2284	434	YPSE2127F	216	YPSI1427F	212	YR1D3	158, 436
YPSCT2284FRR	432	YPSE2129	217	YPSI1428	213	YR1D3C	158, 436
YPSCT2648	434	YPSE2129F	216	YPSI1428F	212	YR1D3O	158, 436
YPSCT2648F	432	YPSE2130	217	YPSI1430	213	YR1D4	158, 436
YPSCT2654	434	YPSE2130F	216	YPSI1430F	212	YR1D4C	158, 436
YPSCT2654F	432	YPSE2135	217	YPSI1436	213	YR1D4O	158

<i>pattern no.</i>	<i>page</i>	<i>pattern no.</i>	<i>page</i>	<i>pattern no.</i>	<i>page</i>	<i>pattern no.</i>	<i>page</i>
YR1DA	158, 436	YR1TJ30	160, 439	YR1XDBC	187, 465	YRPHE12	156, 436, 463
YR1DAC	158	YR1TJ36	160, 189, 439	YR1XDC	187, 465	YRPHE24	156, 436, 463
YR1DB	158, 436	YR1TJ42	160, 439	YR1XDCC	187, 465	YRPHT12	156, 436, 463
YR1DBC	158	YR1TJ48	160, 189, 439, 463	YR1XDPI	157, 187, 437, 466	YRPHT24	156, 436, 463
YR1DC	158, 436	YR1TJ54	160, 439, 463	YR1XDY	187, 465	YRPHX12	156, 436
YR1DCC	158	YR1TJ60	160, 189, 439, 463	YR1XDXC	187, 465	YRPHX24	156, 436, 463
YR1DX	158, 436	YR1TJ66	160, 439	YR1XDYO	187, 465	YRPM361	163
YR1DXC	158	YR1TJ7	160, 439	YR1XDXT	187, 465	YRPM362	163
YR1DXO	158, 436	YR1TJ72	160, 189, 439, 463	YR1XDY	187, 465	YRPMK	163
YR1DXT	158, 436	YR1TJ84	189, 463	YR1XDYC	187, 465	YRX1D40	436
YR1DY	158, 436	YR1TJ96	189, 463	YR1XDYO	187, 465	YSAD21	243
YR1DYC	158	YRITOM	187	YR1XDYT	187, 465	YSAD21NET	243
YR1DYO	158, 436	YRITPIC12	314, 438	YR1XDZ	187, 465	YSAD27	243
YR1DYT	158, 436	YRITPIC20	314, 438	YR1XDZC	187, 465	YSAD27NET	243
YR1DZ	158, 436	YRITPNY	157, 187, 437, 466	YR1XDZO	188, 465	YSAD30	243
YR1DZC	158	YRITPS	443	YR1XDZT	188, 465	YSADPADG	243
YR1DZO	158, 436	YRITPS12	441	YR1XJ108	189	YSADPADN	243
YR1DZT	158, 436	YRITPS24	441	YR1XJ12	160	YSCH	283
YR1EDPI	157, 187, 437, 466	YRITTC48	442	YR1XJ120	189	YSCS1212	275
YR1EJ108	189	YRITTC54	442	YR1XJ132	189	YSCS2412	275
YR1EJ12	160, 439, 463	YRITTC60	442	YR1XJ144	189	YSCSD1212	275
YR1EJ120	189	YRITTC66	442	YR1XJ18	160, 189	YSCSD2412	275
YR1EJ132	189	YRITTC72	442	YR1XJ24	160, 189	YSDPAD	239
YR1EJ144	189	YRITTC78	442	YR1XJ30	160	YSDXFB18	257
YR1EJ18	160, 189, 439, 463	YRITTC84	442	YR1XJ36	160, 189	YSDXFB24	257
YR1EJ24	160, 189, 439, 463	YRITTC48	442	YR1XJ42	160	YSDXFB27	257
YR1EJ30	160, 439	YRITTC54	442	YR1XJ48	160, 189	YSDXFB30	257
YR1EJ36	160, 189, 439	YRITTC60	442	YR1XJ54	160	YSDXFB36	257
YR1EJ42	160, 439	YRITTC66	442	YR1XJ60	160, 189	YSDXFB53	257
YR1EJ48	160, 189, 439, 463	YRITTC72	442	YR1XJ66	160	YSDXFB59	257
YR1EJ54	160, 439, 463	YRITTC78	442	YR1XJ7	160	YSDXFB65	257
YR1EJ60	160, 189, 439, 463	YRITTC84	442	YR1XJ72	160, 189	YSDXFB77	257
YR1EJ66	160, 439	YRITTCF48	442	YR1XJ84	189	YSDXOS1815	252
YR1EJ72	160, 189, 439, 463	YRITTCF54	442	YR1XJ96	189	YSDXOS2415	252
YR1EJ84	189, 463	YRITTCF60	442	YR1XOM	187	YSDXOS2715	252
YR1EJ96	189, 463	YR1TVWMNY	157	YR1XPIC12	314, 438	YSDXOS3015	252
YR1EOM	187	YR1TWCS	444	YR1XPIC20	314, 438	YSDXOS3615	252
YR1EPIC12	314, 438	YR1TYVWM	441	YR1XPNY	157, 187, 437, 466	YSDXOS5315	255
YR1EPIC20	314, 438	YR1TYWCS	444	YR1XUSBA	188, 465	YSDXOS5915	255
YR1EPNY	157, 187, 437, 466	YR1TZES	441	YR1XUSBB	188, 465	YSDXOS6515	255
YR1EVWMNY	157	YR1TZEX	441	YR1XUSBC	188, 465	YSDXOS7715	255
YR1H30D	161, 440	YR1USBA	159	YR1XUSBX	188, 465	YSDXSS2415	252
YR1H424D	161, 440	YR1USBB	159	YR1XUSBY	188, 465	YSDXSS2715	252
YR1HEE	161, 440	YR1USBC	159	YR1XUSBZ	188, 465	YSDXSS3015	252
YR1HFE	161, 440	YR1USBX	159	YR1XVWMNY	157	YSDXSS3615	252
YR1PCC100	169, 188	YR1USBY	159	YR2DM3	165	YSDXSS5315	255
YR1PDCX	156, 188	YR1USBZ	159	YR2DM4	165	YSDXSS5915	255
YR1SCC10	365	YR1VWM313	441	YR2DM5	165	YSDXSS6515	255
YR1SCMB	365	YR1VWM318	441	YR2DOC32U108(B/W)	165	YSDXSS7715	255
YR1SPS24	365	YR1VWM323	171	YR2DOC32U120(B/W)	165	YSDXUP	85, 252
YR1SVWMH	365	YR1VWM330	171	YR2DOC32U72(B/W)	165	YSFA	89, 232, 236
YR1SVWML	365	YR1VWM336	171	YR2DOC32UH(B/W)	165	YSFB18	232
YR1TCMP	441	YR1XD1	187, 465	YR2DOC422108(B/W)	165	YSFB24	232
YR1TCP	441	YR1XD1C	187, 465	YR2DOC422120(B/W)	165	YSFBFB18L	232
YR1TCPC20	441	YR1XD2	187, 465	YR2DOC42272(B/W)	165	YSFBFB18N	232
YR1TCPC28	441	YR1XD2C	187, 465	YR2DOC422H(B/W)	165	YSFBFB18R	232
YR1TCPC30	441	YR1XD3	187, 465	YR2DOC53U1108(B/W)	165	YSFBFB24L	232
YR1TDPI	157, 187, 437, 466	YR1XD3C	187, 465	YR2DOC53U1120(B/W)	165	YSFBFB24N	232
YR1TJ108	189	YR1XD30	187, 465	YR2DOC53U172(B/W)	165	YSFBFB24R	232
YR1TJ12	160, 439, 463	YR1XD4	187, 465	YR2DOC53U1H(B/W)	165	YSFBFB30L	232
YR1TJ120	189	YR1XD4C	187, 465	YRCE	157, 437	YSFBFB30N	232
YR1TJ132	189	YR1XD40	187, 465	YROF	159, 188, 437	YSFBFB30R	232
YR1TJ144	189	YR1XDA	187, 465	YRPHA18	156	YSFC2D2536	290
YR1TJ18	160, 189, 439, 463	YR1XDAC	187, 465	YRPHA30	156	YSFC2D2836	290
YR1TJ24	160, 189, 439, 463	YR1XDB	187, 465	YRPHA42	156	YSFC2D4236	290

<i>pattern no.</i>	<i>page</i>	<i>pattern no.</i>	<i>page</i>	<i>pattern no.</i>	<i>page</i>	<i>pattern no.</i>	<i>page</i>
YSFC2D4936	290	YSFSR423612	227	YSSDL6015	264	YSUS3F25	273
YSFC2D5636	290	YSFSR423618	227	YSSDL7215	264	YSUS3F28	273
YSFC2D02536	290	YSFSR424812	227	YSSDR3615	265	YSUSDL3615	264
YSFC2D02836	290	YSFSR424818	227	YSSDR4215	265	YSUSDL4215	264
YSFC2D05636	292	YSFSR493612	227	YSSDR4815	265	YSUSDL4815	264
YSFC4D5636	290	YSFSR493618	227	YSSDR6015	265	YSUSDL6015	264
YSFCBF2536	287	YSFSR494812	227	YSSDR7215	265	YSUSDL7215	264
YSFCDASK27	283	YSFSR494818	227	YSSOF15L	248	YSUSDR3615	265
YSFCDASK30	283	YSFWB30	236	YSSOF15V	249	YSUSDR4215	265
YSFCDASK36	283	YSFWB36	236, 288	YSSOF21L	248	YSUSDR4815	265
YSFCDE4927	282	YSFWDF30N	235	YSSOF21V	249	YSUSDR6015	265
YSFCDE4930	282	YSFWDF36N	235	YSSOF24BL	248	YSUSDR7215	265
YSFCDE4936	282	YSFWFF3018	235	YSSOF24BV	249	YSUSNDL3615	262
YSFCDEL4924	279	YSFWFF3024	235	YSSOF24L	248	YSUSNDL4215	262
YSFCDER4924	280	YSFWFF30N	235	YSSOF24V	249	YSUSNDL4815	262
YSFCDL4924	279	YSFWFF3618	235	YSSOF27BL	248	YSUSNDL6015	262
YSFCDL4927	279	YSFWFF3624	235	YSSOF27BV	249	YSUSNDL7215	262
YSFCDL4930	279	YSFWFF36N	235	YSSOF27L	248	YSUSNDR3615	263
YSFCDL4936	279	YSMOPDF18	238	YSSOF27V	249	YSUSNDR4215	263
YSFCDO4924	282	YSMOPDF24	238	YSSOF33BL	248	YSUSNDR4815	263
YSFCDO4927	282	YSMPDF18	238	YSSOF33BV	249	YSUSNDR6015	263
YSFCDO4930	282	YSMPDF24	238	YSSOF33L	248	YSUSNDR7215	263
YSFCDO4936	282	YSMUOS36	268	YSSOF33V	249	YSWMO3615	297
YSFCDR4924	280	YSMUOS42	268	YSSOS21L	248	YSWMO4215	297
YSFCDR4927	280	YSMUOS48	268	YSSOS21V	249	YSWMO4815	297
YSFCDR4930	280	YSMUOS60	268	YSSOS24BL	248	YSWMO6015	297
YSFCDR4936	280	YSMUOS72	268	YSSOS24BV	249	YSWMO7215	297
YSFCFF2836	287	YSMUSDL36L	269	YSSOS24L	248	YSWMS3615	297
YSFCO2D5636	292	YSMUSDL42L	269	YSSOS24V	249	YSWMS4215	297
YSFCOF2536	288	YSMUSDL48L	269	YSSOS27BL	248	YSWMS4815	297
YSFCOF2836	288	YSMUSDL60L	269	YSSOS27BV	249	YSWMS6015	297
YSFCOFF4236	287	YSMUSDL72L	269	YSSOS27L	248	YSWMS7215	297
YSFCOFF4936	287	YSMUSDR36L	269	YSSOS27V	249	YT3018	44
YSFCOFF5636	287	YSMUSDR42L	269	YSSPAD	239	YT3024	44
YSFCOFF6736	287	YSMUSDR48L	269	YSSPF21	245	YT3027	45
YSFCOS2536	294	YSMUSDR60L	269	YSSPF21VL	246	YT3030	45
YSFCOS2836	294	YSMUSDR72L	269	YSSPF24	245	YT3036	46
YSFCOS4236	294	YSMUSOL36	268	YSSPF24B	245	YT3048	46
YSFCOS4936	294	YSMUSOL42	268	YSSPF24BVL	246	YT3618	44
YSFCOS5636	294	YSMUSOL48	268	YSSPF24VL	246	YT3624	44
YSFCOSO2536	294	YSMUSOL60	268	YSSPF27	245	YT3627	45
YSFCOSO2836	294	YSMUSOL72	268	YSSPF27B	245	YT3630	45
YSFCWD6736	285	YSMUSOR36	268	YSSPF27BVL	246	YT3636	46
YSFCWL4924	285	YSMUSOR42	268	YSSPF27VL	246	YT3648	46
YSFCWL6718	285	YSMUSOR48	268	YSSPF33	245	YT4218	44
YSFCWR4924	285	YSMUSOR60	268	YSSPF33B	245	YT4224	44
YSFCWR6718	285	YSMUSOR72	268	YSSPF33BVL	246	YT4227	45
YSFFF18L	232	YSWMO36	299	YSSPF33VL	246	YT4230	45
YSFFF18N	232	YSWMO42	299	YSUES3615	262	YT4236	46
YSFFF18R	232	YSWMO48	299	YSUES4815	262	YT4242	46
YSFFF24L	232	YSWMO60	299	YSUOP24	271	YT4248	46
YSFFF24N	232	YSWMO72	299	YSUOP30	271	YT4808	51
YSFFF24R	232	YSMWMS36L	299	YSUOP36	271	YT4818	44
YSFFF30L	232	YSMWMS42L	299	YSUOP48	271	YT4824	44
YSFFF30N	232	YSMWMS48L	299	YSUOP60	271	YT4827	45
YSFFF30R	232	YSMWMS60L	299	YSUOP72	271	YT4830	45
YSFSB	227	YSMWMS72L	299	YSUOS3615	262	YT4836	46
YSFSL423612	227	YSSD3615	297	YSUOS4215	262	YT4848	46
YSFSL423618	227	YSSD4215	297	YSUOS4815	262	YT5408	51
YSFSL424812	227	YSSD4815	297	YSUOS6015	262	YT5418	44
YSFSL424818	227	YSSD6015	297	YSUOS7215	262	YT5424	44
YSFSL493612	227	YSSD7215	297	YSUS2BT	273	YT5427	45
YSFSL493618	227	YSSDL3615	264	YSUS2F25	273	YT5430	45
YSFSL494812	227	YSSDL4215	264	YSUS2F28	273	YT5436	46
YSFSL494818	227	YSSDL4815	264	YSUS3BT	273	YT5448	46

<i>pattern no.</i>	<i>page</i>	<i>pattern no.</i>	<i>page</i>	<i>pattern no.</i>	<i>page</i>	<i>pattern no.</i>	<i>page</i>
YT6008	51	YTD6627	49	YTH6624	47	YTSS72	365
YT6018	44	YTD6630	50	YTH6627	47	YTSS7218N(L/V)	361
YT6024	44	YTD6636	50	YTH6630	48	YTSS7224N(L/V)	361
YT6027	45	YTD7218	49	YTH6636	48	YTSS7227N(L/V)	362
YT6030	45	YTD7224	49	YTH7218	47	YTSS7230N(L/V)	362
YT6036	46	YTD7227	49	YTH7224	47	YTSS7236N(L/V)	362
YT6048	46	YTD7230	50	YTH7227	47	YTSS78	365
YT6608	51	YTD7236	50	YTH7230	48	YTSS7818N(L/V)	361
YT6618	44	YTD7818	49	YTH7236	48	YTSS7824N(L/V)	361
YT6624	44	YTD7824	49	YTH7818	47	YTSS7827N(L/V)	362
YT6627	45	YTD7827	49	YTH7824	47	YTSS7830N(L/V)	362
YT6630	45	YTD7830	50	YTH7827	47	YTSS7836N(L/V)	362
YT6636	46	YTD7836	50	YTH7830	48	YTSS84	365
YT6648	46	YTD8418	49	YTH7836	48	YTSS8418N(L/V)	361
YT7208	51	YTD8424	49	YTH8418	47	YTSS8424N(L/V)	361
YT7218	44	YTD8427	49	YTH8424	47	YTSS8427N(L/V)	362
YT7224	44	YTD8430	50	YTH8427	47	YTSS8430N(L/V)	362
YT7227	45	YTD8436	50	YTH8430	48	YTSS8436N(L/V)	362
YT7230	45	YTDVC24484824	55	YTH8436	48	YTSVC4824N(L/V)	363
YT7236	46	YTDVC24545424	55	YTHVC24484824	55	YTSVC4827N(L/V)	363
YT7248	46	YTDVC24606024	55	YTHVC24545424	55	YTSVC5424N(L/V)	363
YT7808	51	YTDVC27484827	55	YTHVC24606024	55	YTSVC5427N(L/V)	363
YT7818	44	YTDVC27545427	55	YTHVC27484827	55	YTSVC6024N(L/V)	363
YT7824	44	YTDVC27606027	55	YTHVC27545427	55	YTSVC6027N(L/V)	363
YT7827	45	YTDVS24484824	55	YTHVC27606027	55	YTT24	57
YT7830	45	YTE1524	52	YTHVS24484824	55	YTT30	57
YT7836	46	YTE1527	52	YTSB6030N(L/V)	363	YTT36	57
YT7848	46	YTE1530	52	YTSB7236N(L/V)	363	YTT42	57
YT8408	51	YTE1531	52	YTSB8442N(L/V)	363	YTT47	57
YT8418	44	YTE1536	52	YTSS36	365	YTT4724	367
YT8424	44	YTE1537	52	YTSS3618N(L/V)	361	YTT4727	367
YT8427	45	YTE1539	52	YTSS3624N(L/V)	361	YTT4730	367
YT8430	45	YTE1540	52	YTSS3627N(L/V)	362	YTT48	57
YT8436	46	YTE1541	52	YTSS3630N(L/V)	362	YTT4824	371
YT8442	46	YTE1543	52	YTSS3636N(L/V)	362	YTT4827	371
YT8448	46	YTE1549	52	YTSS42	365	YTT4830	371
YT9018	44	YTE1552	52	YTSS4218N(L/V)	361	YTT53	57
YT9024	44	YTE1553	52	YTSS4224N(L/V)	361	YTT5324	367
YT9027	45	YTE1558	52	YTSS4227N(L/V)	362	YTT5327	367
YT9030	45	YTE1559	52	YTSS4230N(L/V)	362	YTT5330	367
YT9036	46	YTE1564	52	YTSS4236N(L/V)	362	YTT5424	371
YT9048	46	YTE1565	52	YTSS48	365	YTT5427	371
YT9618	44	YTE1576	52	YTSS4818N(L/V)	361	YTT5430	371
YT9624	44	YTE1577	52	YTSS4824N(L/V)	361	YTT59	57
YT9627	45	YTE1841	52	YTSS4827N(L/V)	362	YTT5924	367
YT9630	45	YTE1853	52	YTSS4830N(L/V)	362	YTT5927	367
YT9636	46	YTE1859	52	YTSS4836N(L/V)	362	YTT5930	367
YT9648	46	YTE1865	52	YTSS54	365	YTT6024	371
YTD4818	49	YTE1877	52	YTSS5418N(L/V)	361	YTT6027	371
YTD4824	49	YTH4818	47	YTSS5424N(L/V)	361	YTT6030	371
YTD4827	49	YTH4824	47	YTSS5427N(L/V)	362	YTT65	57
YTD4830	50	YTH4827	47	YTSS5430N(L/V)	362	YTT6524	367
YTD4836	50	YTH4830	48	YTSS5436N(L/V)	362	YTY6527	367
YTD5418	49	YTH4836	48	YTSS60	365	YTT6530	367
YTD5424	49	YTH5418	47	YTSS6018N(L/V)	361	YTT6624	371
YTD5427	49	YTH5424	47	YTSS6024N(L/V)	361	YTT6627	371
YTD5430	50	YTH5427	47	YTSS6027N(L/V)	362	YTY6630	371
YTD5436	50	YTH5430	48	YTSS6030N(L/V)	362	YTT70	57
YTD6018	49	YTH5436	48	YTSS6036N(L/V)	362	YTT71	57
YTD6024	49	YTH6018	47	YTSS66	365	YTT7124	367
YTD6027	49	YTH6024	47	YTSS6618N(L/V)	361	YTT7127	367
YTD6030	50	YTH6027	47	YTSS6624N(L/V)	361	YTT7130	367
YTD6036	50	YTH6030	48	YTSS6627N(L/V)	362	YTT7224	371
YTD6618	49	YTH6036	48	YTSS6630N(L/V)	362	YTT7227	371
YTD6624	49	YTH6618	47	YTSS6636N(L/V)	362	YTT7230	371

<i>pattern no.</i>	<i>page</i>	<i>pattern no.</i>	<i>page</i>	<i>pattern no.</i>	<i>page</i>
YTT76	57	YTTRC4630	368	YTWSHK224	59
YTT77	57	YTTRC4724	369	YTWSHK230	59
YTT7724	367	YTTRC4727	369	YTWSHK236	59
YTT7727	367	YTTRC4730	369	YTWSHK242	59
YTT7730	367	YTTRC5224	368	YTWSHK248	59
YTT7824	371	YTTRC5227	368	YTWSHK260	59
YTT7827	371	YTTRC5230	368	YTWSHK272	59
YTT7830	371	YTTRC5324	369		
YTT82	57	YTTRC5327	369		
YTT83	57	YTTRC5330	369		
YTT8324	367	YTTRC5824	368		
YTT8327	367	YTTRC5827	368		
YTT8330	367	YTTRC5830	368		
YTT8424	371	YTTRC5924	369		
YTT8427	371	YTTRC5927	369		
YTT8430	371	YTTRC5930	369		
YTT88	57	YTTRC6424	368		
YTT89	57	YTTRC6427	368		
YTT94	57	YTTRC6430	368		
YTT95	57	YTTRC6524	369		
YTTE18	58	YTTRC6527	369		
YTTE24	58	YTTRC6530	369		
YTTE30	58	YTTRC7024	368		
YTTE36	58	YTTRC7027	368		
YTTE42	58	YTTRC7030	368		
YTTE48	58	YTTRC7124	369		
YTTE60	58	YTTRC7127	369		
YTTE66	58	YTTRC7130	369		
YTTE72	58	YTTRC7624	368		
YTTE78	58	YTTRC7627	368		
YTTE84	58	YTTRC7630	368		
YTTE87	58	YTTRC7724	369		
YTTE90	58	YTTRC7727	369		
YTTE96	58	YTTRC7730	369		
YTTM23	58	YTTRC8224	368		
YTTM29	58	YTTRC8227	368		
YTTM35	58	YTTRC8230	368		
YTTM41	58	YTTRC8324	369		
YTTM47	58	YTTRC8327	369		
YTTR3024	372	YTTRC8330	369		
YTTR3027	372	YTTVC4724	370		
YTTR3030	372	YTTVC4727	370		
YTTR3624	372	YTTVC4730	370		
YTTR3627	372	YTTVC5324	370		
YTTR3630	372	YTTVC5327	370		
YTTR4224	372	YTTVC5330	370		
YTTR4227	372	YTTVC5924	370		
YTTR4230	372	YTTVC5927	370		
YTTR4824	372	YTTVC5930	370		
YTTR4827	372	YTVC24484824	55		
YTTR4830	372	YTVC24545424	55		
YTTR5424	372	YTVC24606024	55		
YTTR5427	372	YTVC27484827	55		
YTTR5430	372	YTVC27545427	55		
YTTR6024	372	YTVC27606027	55		
YTTR6027	372	YTVC24484824	55		
YTTR6030	372	YTWSHK118	59		
YTTR6624	372	YTWSHK124	59		
YTTR6627	372	YTWSHK130	59		
YTTR6630	372	YTWSHK136	59		
YTTR7224	372	YTWSHK142	59		
YTTR7227	372	YTWSHK148	59		
YTTR7230	372	YTWSHK160	59		
YTTRC4624	368	YTWSHK172	59		
YTTRC4627	368	YTWSHK218	59		

Selling Policy

	<p>This Selling Policy supercedes all previous selling policies. Prices, discounts and product offerings are subject to change without notice.</p>
Terms & Conditions of Sales	<p>Sales by Knoll, Inc. or Knoll North America Corp. ("Seller") of Knoll Product Lines (hereinafter "Products") within the United States and Canada are made only on the terms which are contained in this Selling Policy. Seller hereby gives notice of its objection to any different or additional terms and conditions. This sale is expressly conditional upon Purchaser's assent to the terms and conditions set forth below. Additional terms and conditions may apply to KnollStudio and KnollTextiles orders. These terms and conditions may be modified or supplemented only by a written document signed by an authorized representative of Seller. These terms and conditions supercede any prior and/or contemporaneous agreements or correspondence between Purchaser and Seller. Written quotations expire thirty (30) days from the date of issuance and can be withdrawn by written notice anytime during that period. Where Purchaser and Seller have entered into the Knoll Electronic Terms and Conditions, all orders, acknowledgements, invoices and other business communications placed or transmitted in accordance with the Knoll Electronic Terms and Conditions shall be deemed to be in writing and signed and shall be valid for all purposes as if they were originated and maintained in documentary form.</p>
Ordering Information	<p>All orders must be in writing. The product pattern number(s) contained on Seller's order acknowledgement shall be the final expression of the order.</p>
Order Confirmation	<p>A purchase order is not binding on Seller until Purchaser has received Seller's order confirmation or acknowledgment.</p>
Pricing Policies	<p>List prices are subject to change without notice.</p> <p>List prices shall be those prices in effect on the date of receipt of a complete purchase order unless shipment is requested more than ninety (90) days after order entry in which case prices in effect on the date of shipment apply. List prices include specified freight costs. Unless specified in writing by Seller, no other charges are included in Seller's list prices.</p>
Taxes	<p>All sales, use, excise and other taxes applicable to the sale of the Products shall be paid by Purchaser. If Purchaser claims an exemption from any tax, Purchaser shall submit to Seller the appropriate exemption certificates.</p>
Terms of Payment	<p>Payment for one hundred percent (100%) of the net order amount is due within thirty (30) days of the date of invoice, which is generally issued upon shipment. In case of any discrepancies, such as shortages, and Seller is notified in writing within ten (10) days of receipt of Product, only that portion may be deducted and the balance paid. For orders greater than \$100,000 net, a fifty percent (50%) deposit is due at the time of order placement, with the remainder due within thirty (30) days of the date of invoice.</p> <p>KnollStudio orders less than \$2,000 require payment for one hundred percent (100%) of the net order amount (including any applicable sales tax and charges for inside delivery, special packaging, etc.), due at time of order placement. For KnollStudio orders greater than \$2,000, a one-half (50%) deposit is due at time of order placement with the remainder (including any applicable sales tax and charges for inside delivery, special packaging, etc.) due prior to shipment.</p> <p>If, in the judgment of Seller, Purchaser's financial condition does not justify the terms of the payment, Seller may require full or partial payment in advance.</p> <p>Past due accounts shall be charged one and one-half percent (1.5%) per month, or the highest rate permitted by law, whichever is less, and will be added to the outstanding balance. In the event Purchaser defaults on payment, Purchaser shall be liable for all collection costs, including reasonable attorney's fees and costs.</p>
Changes and Cancellation	<p>Purchase orders may not be changed or cancelled, in whole or in part, without prior written consent of Seller. Changes may effect delivery dates. Expenses incurred because of changes shall be charged to Purchaser. In the event of cancellations, Purchaser will be liable for reasonable cancellation charges established by Seller. Orders for special Product, orders including "COM" (hereinafter defined) material and orders pursuant to expedited delivery programs, may not be canceled.</p>
Freight Prepaid	<p>Freight is prepaid and included in the price of all Products, except KnollTextiles, within the 48 contiguous United States for orders placed with Knoll, Inc. and within Canada, excluding the Yukon, Northwest Territories, Nunavut and Newfoundland for orders placed with Knoll North America Corp. Packing is tested for rigorous motion and transportation but is not guaranteed to protect furniture from all conditions. If special packaging is required for any reason, please consult with your sales representative or dealer. Seller shall select the method of shipment and routing. Freight for all KnollTextiles orders is prepaid and added to the invoice.</p>
Delivery/Freight Charges	<p>Shipments outside the contiguous 48 United States and Canada shall be shipped F.O.B. Origin.</p> <p>For shipments outside the contiguous United States and Canada, Purchaser is responsible for the cost of freight from point of embarkation, including any handling and transportation charges incidental to loading at the point of departure and unloading at the final destination.</p> <p>Conditions beyond the control of Seller, including weather, available facilities and traffic conditions, may affect exact time of delivery. Seller shall not be responsible for specific carrier delivery date or time unless it has made a specific delivery commitment, in writing.</p> <p>Nonstandard methods of shipment and/or additional services are available upon request. Purchaser will be billed for the differential cost of any special services in excess of standard surface carrier freight costs. Premium charges, at Purchaser's request, will be added for airfreight, exclusive use of vehicle and extra, export or special packaging. Accessorial charges will be added for inside delivery, extra labor, reconsignment and redelivery.</p> <p>Partial shipments may be made and invoiced by Seller.</p>
Claims	<p>All shipments for Knoll Products within the contiguous United States and Canada are F.O.B. Origin. All risk of loss passes to Purchaser at time of delivery to carrier. Purchaser shall inspect all Products upon receipt and notify Seller within ten (10) working days after receipt of any damage or defects which are, or should be, apparent from an inspection of the Product and its packaging. Failure of Purchaser to notify Seller during the ten (10) working day period shall constitute acceptance of the Products and waiver of any apparent defects, errors or shortages. For all claims relating to Product damaged in transit or for any other claims relating to or arising out of the transportation of the Product, Purchaser must seek recovery from the carrier and Seller has no liability to Purchaser for such claims. Seller may, upon request, assist Purchaser with filing of such claims with the carrier, but Seller will not be liable for any of these transportation related claims.</p>
Seller's Security Interest	<p>Until Seller receives the full payment for the Product, Seller shall have a security interest in the Product. Purchaser agrees to perform all acts, including but not limited to the execution and filing of documentation, which may be necessary to perfect and assure the security interest of Seller.</p>
Returns	<p>The return of Products without a written authorization by Seller shall not be accepted. To receive authorization for Product return, please call Customer Service. All Products that are returned pursuant to a valid authorization shall be subject to a twenty-five percent (25%) of list restocking charge. Products not currently offered for sale by Seller (including COM) shall not be authorized for return. All returned Products must be unused, in original condition and in the original Seller packing cartons. No refund or credit shall be given for damaged Products.</p>
Held Orders/Storage	<p>If Purchaser requests that an order be held or delayed, prices and terms and conditions in effect at the time of shipment shall apply. If Purchaser requests a delay after the time when Seller can defer production, Purchaser will be invoiced for the Product, payable in accordance with standard terms, when the order is ready for shipment. Seller may transfer the Product to storage, in which case all expenses incurred in connection with storage, including demurrage, preparation for storage, storage charges and handling shall be payable by Purchaser upon submission of invoices by Seller. Risk of loss to the Product shall pass to the Purchaser upon delivery of the Product into storage.</p>

Selling Policy

Customer's Own Material	A Purchaser who requests a fabric or other surface material not standard to Seller's line of Products ("COM") must submit samples of the requested material to Seller prior to entry of a purchaser order. Seller shall determine if the material is suitable to its manufacturing processes and meets any requirements of Underwriters Laboratories. If the COM is acceptable, Seller will then establish a price for using the COM or the Product in question. For a description of the procedures for submitting samples and testing, contact customer resources or your sales representative. Seller shall have no responsibility for the appearance, condition, performance, durability, colorfastness or any other physical attribute of the COM. Purchaser shall indemnify and hold Seller harmless for any damages, injuries or losses arising out of or related to use of the COM on the Product.
Warranty	<p>Seller warrants to the original Purchaser only that the Products Seller manufactures and sells to Purchaser are free of defects in workmanship and materials, during the applicable warranty period set forth below.</p> <p>Warranty period set forth below is for 24-hour, 7 days a week, multi shift use (includes parts and labor to repair).</p> <p>Should any failure to conform with this limited warranty appear to a Product listed below during the applicable warranty period from the date of shipment, Seller shall, upon prompt written notice, repair or replace, at its option and costs, the affected part or parts.</p> <p><i>Product and Period of Warranty</i></p> <p><i>Lifetime: Antenna Workspaces, AutoStrada, Calibre, Crinion Open Table, Currents, Dividends Horizon, Morrison, Reff Profiles laminate, Rockwell Unscripted, Series 2 Storage, Template, Quoin and other non-wood components (except cascade edge worksurfaces, operational parts, controls, electrical, Lighting, Series 2 Veneer Front Storage, digital locks, upholstery, textiles and leathers, special or custom products, see below)</i></p> <p><i>12 Years: Chadwick, Generation by Knoll, k. task, Life, Moment, MultiGeneration by Knoll, Ollo, ReGeneration by Knoll, Remix, and Toboggan seating (except seating upholstery, textiles, leathers and finishes, see below).</i></p> <p><i>10 Years: Anchor Storage except digital locks, Antenna Workspaces, AutoStrada, Crinion Open Table, Dividends Horizon, Dividends Horizon Satellite Surfaces, Reff Profiles, Rockwell Unscripted, Quoin wood components, Template wood components, Series 2 Veneer Front Storage, cascade edge worksurfaces, Wood Casegoods (The Graham Collection) (except wood casegoods upholstered surfaces, see below), Reuter overheads, Reuter vertical storage, KnollExtra Sapper Monitor Arm Collection, Sapper XYZ Monitor Arm Series, Adjustable keyboard mechanisms and platforms, Communication Boards (except fabric board textiles, cork and FilzFelt, see below), Smokador collection (except leathers, see below), Orchestra Universal Systems Accessories, k. lounge structural components, KnollStudio Pixel and Propeller, Tone bases.</i></p> <p><i>5 Years: Operational parts, controls, electrical, Lighting (except light ballasts, bulbs and power supply, see below), special or custom product, wood veneer products and plywood, Currents handcrank, KnollStudio, Rockwell Unscripted wire bases, Spark Series seating structural elements, structural elements of all KnollStudio outdoor products including all Richard Schultz designed products, KnollExtra CPU holders and all universal storage drawers and Power Collection, k. bench (except changes in finish, see below) and k. stand bases (except changes in finish, see below).</i></p> <p><i>3 Years: Rockwell Unscripted upholstery (except textiles and leather), Office Seating upholstery, textiles, leathers and finishes. Fabric boards textiles and Smokador Collection leathers, KnollExtra Pop Up Screens.</i></p> <p><i>2 Years: Anchor Storage digital locks, Quoin digital locks, all other KnollExtra product</i></p> <p><i>1 Year: Light ballasts, bulbs and power supply, seating upholstered armpads and soft armpads, wood casegoods upholstered surfaces. KnollStudio, outdoor product finishes, k. lounge upholstery and k. lounge fabric. Rockwell Unscripted fabric and accessories.</i></p> <p>This warranty does not apply to:</p> <ul style="list-style-type: none">• Damage caused by a carrier other than the Seller.• Normal wear and tear or acts or omissions of parties other than Seller (including user modification, improper use or installation of Products).• COM or other third party materials applied to Products.• Products not installed by or under the auspices of a Knoll Dealer.• Dramatic temperature variations or exposure to unusual conditions.• Changes in surface finishes, including colorfastness due to aging or exposure to light.• Except as specifically noted above, textiles and upholstery supplied by KnollTextiles and Spinneybeck FilzFelt (consult current price lists for applicable warranties). <p>Natural variations occurring in wood, marble, and leather shall not be considered defects, and the Seller does not guarantee the colorfastness or matching of the colors, grains or textures, or surface hardness of such materials. The Seller also does not guarantee the colorfastness of fiberglass panel surfaces.</p> <p>THE EXPRESS WARRANTIES CONTAINED HEREIN ARE IN LIEU OF ALL OTHER WARRANTIES, EXPRESS OR IMPLIED, INCLUDING ANY WARRANTIES OF MERCHANTABILITY AND FITNESS FOR PARTICULAR PURPOSE AND ALL OTHER WARRANTIES ARISING FROM COURSE OF DEALING OR USAGE OF TRADE.</p> <p>The remedies provided above are the Purchaser's sole remedies for any failure of Seller to comply with its obligations regarding the workmanship of its Products. Correction of any nonconformity in the manner and for the period of time provided shall constitute complete fulfillment of all liabilities of Seller, with respect to or arising out of the Product furnished hereunder.</p>
Delay/Force Majeure	Seller shall not be liable for failure to perform or for delay in performance due to fire, flood, strike or other labor difficulty, act of God, act of war or terrorism, act of any governmental authority or of the Purchaser, riot, embargo, fuel or energy shortage, wrecks or delay in transportation, inability to obtain necessary labor, materials or manufacturing facilities from usual sources or failure of suppliers to meet their contractual obligations, or due to any cause beyond its reasonable control. If any such event occurs, Seller may extend delivery dates by a period of time necessary to overcome the effect of such delay, allocate available Product or cancel any purchase order.
Compliance with Law	PURCHASER IS SOLELY RESPONSIBLE FOR COMPLIANCE WITH ALL APPLICABLE FEDERAL, STATE AND LOCAL LAWS, ORDINANCES, REGULATIONS, RULES AND STANDARDS RELATING TO THE INSTALLATION, MAINTENANCE, USE AND OPERATION OF THE PRODUCTS.
Patents	<p>Subject to the following provisions, Seller shall, at its own expense, defend or, at its option, settle any claim, suit or proceeding brought against the Purchaser, and/or its vendees, mediate and immediate, so far as based on an allegation that any Product or any part thereof furnished hereunder constitutes a direct or a contributory infringement of any claim of any patent of the United States or Canada. This obligation shall be effective only if Purchaser shall have made all payments then due hereunder and if Seller is notified promptly in writing and given authority, information and assistance for the defense of said claim, suit or proceeding. Seller shall pay all damages and costs awarded in such suit or proceedings so defended.</p> <p>The foregoing indemnity does not apply to the following:</p> <ul style="list-style-type: none">• Products supplied according to a design other than that of Seller, and which is required by the Purchaser.• Combination of the Product with another product not furnished hereunder unless Seller is a contributory infringer.• Any settlements of a suit or proceeding made without Seller's written consent.
Limitations of Liability	<p>SELLER, ITS CONTRACTORS, AUTHORIZED DEALERS AND SUBCONTRACTORS OR SUPPLIERS OF ANY TIER SHALL NOT BE LIABLE TO PURCHASER FOR ANY SPECIAL, INDIRECT, INCIDENTAL OR CONSEQUENTIAL DAMAGES ARISING FROM A BREACH OF THIS AGREEMENT.</p> <p>Purchaser's remedies set forth herein are exclusive and the liability of Seller with respect to the breach of this agreement or any contract entered into between the parties pursuant hereto shall not exceed the price of the Product or part on which such liability is based.</p>

KnollKey Lock Program

KnollKey Lock Program General Information

Following is the KnollKey lock policy, applicable to all products.

Knoll furniture can be ordered keyed-alike or random keyed. Key-alike and random keying instructions cannot be mixed on any single order. Only one of the two instructions can be used on an individual order. When an order is submitted with mixed (key-alike and random) instructions, Knoll will release the order as key-alike only and lock cores will have to be specified separately.

Key-alike

For the convenience of the user, furniture may be keyed alike at no charge. Write "Key-alike" in the description of your purchase order for any pedestal, overhead, file or other item you wish to have keyed alike.

Using the key-alike instructions, order cores and keys as line items on your purchase order. Do NOT submit a key-alike form. The Knoll East Greenville Lock Center will select key numbers from the standard range of K 001 - K 250. Key numbers will not be repeated unless over 250 sets are ordered. Lock cores keyed-alike will ship separately from the product, ready for field installation.

There is no charge for key-alike orders if placed with the furniture order.

IF THE KEY-ALIKE ORDER IS NOT PLACED AT LEAST TWO WEEKS PRIOR TO THE FURNITURE SHIP DATE, A \$50 HANDLING CHARGE AND AIR FREIGHT CHARGES WILL APPLY.

If product is ordered and shipped random-keyed, additional lock cores for key-alike are billable.

Random-Keying

To specify product keyed-random, write "key-random" in the product description. Random-keyed product is shipped with the lock core factory installed. A shrouded key is included. Random means no effort has been made to match key numbers, or to make them different.

Keys

A Knoll shrouded key is shipped with every lock core. 250 Key numbers are available. For numbers above 250, contact Custom Product Development. Additional keys and key blanks are available. See service parts for more information.

Master Keying

Knoll locks can be controlled by means of a master key. There is no additional per-lock charge for master keying. A letter of approval from the client must accompany orders for master keys.

Installing Lock Cores

Lock cores can be installed or removed in the field by using a change key. Cores must be in the unlocked position to be removed. See service parts for change key pattern number and pricing.

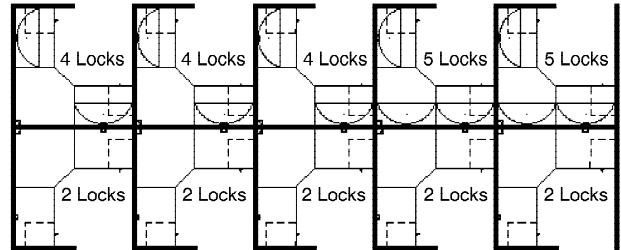
Lock Distribution

All orders for key-alike lock cores/keys are packaged and shipped from the East Greenville Lock Center, regardless of where the pedestals, overhead, or other units are produced. Random keyed product will have cores factory-installed.

How to Specify Key-Alike

Following is an example of how to specify key-alike for a cluster of 10 workstations.

Step 1 - Using the project floorplan, count the number of locks in each workstation.



Step 2 - Count the number of workstations with the same quantity of locks. Group together the workstations with a like number of locks.

5 workstations with 2 locks per station
3 workstations with 4 locks per station
2 workstations with 5 locks per station

Step 3 - For the first group (5 sets of 2 locks), enter the number of workstations in the quantity column.

Qty	Pattern #	Description	Unit List	Ext. List
5				

Step 4 - Then enter the pattern number "KSPEC_ _" and add a suffix for the number of locks for that group (i.e., for 2 locks per station, add the suffix "2"). Up to 30 lock cores are available in a set (i.e., KSPEC 30).

Qty	Pattern #	Description	Unit List	Ext. List
5	KSPEC 2	Set of 2 cores/keys	N / C	N / C

Step 5 - Repeat for other groups.

Qty	Pattern #	Description	Unit List	Ext. List
5	KSPEC 2	Set of 2 cores/keys	N / C	N / C
3	KSPEC 4	Set of 4 cores/keys	N / C	N / C
2	KSPEC 5	Set of 5 cores/keys	N / C	N / C

Your Key instructions are complete.

Knoll will select key numbers for each set from 250 available numbers. Additional key numbers are available through Custom Product Development. **For additions to existing installations, specify desired key numbers in the description.**

Service Parts

Pattern #	Description	List Price
KKEY_ _ _	Shrouded Key Specify key number desired	\$10
KBLANK	Shrouded Key Blank	\$10
KSPECB_ _ _	Retrofit Universal Core/Key Specify key number desired	\$22
KCHANGE	Change Key	\$10
HLKRKMASTER*	Master Key	\$10

*Note: A letter of approval on company letterhead from the client must accompany all orders for master keys.

General Ordering Information

The Products

This guide encompasses all standard products for this product group.

Sizes

Dimensions listed in this guide are indicated as:

H = height

W = width

D = depth

Dia. = diameter

Rad. = radius

Pricing

All prices shown are list.

How to Order

Select pattern numbers and quantities required for your complete installation. Product questions can be addressed in the specific sections of this guide or by contacting your sales representative or customer resource representative at 1-800-343-5665.

Next, select options (if required), along with colors and finishes appropriate to each product. Reference the Finishes and Fabrics pages for color designations.

On large installations, an item's "designated area" can be specified to assist in product organization and handling.

To expedite complete / correct entry of your order, be certain all pattern numbers, quantities, colors and area identifications are completely specified. Also, include complete purchase order numbers, bill-to and ship-to addresses, a contact name and specific factory shipping dates required.

Mail all orders to:

Knoll, Inc.

1235 Water Street

P.O. Box 157

East Greenville, PA 18041

Attention: Order Entry

Once your order is entered at Knoll, an acknowledgment will be mailed to you. You will be advised of your scheduled shipping date within five days of the original acknowledgment. If it is necessary to revise your order, please contact your customer resource representative.

Sustainability Statement

Sustainable design is a key component of Knoll's environmental focus. Our commitment to social responsibility and a healthy environment has prompted us to further articulate our longstanding environmental programs and, with encouragement and support from our colleagues in the industry, we have re-energized our focus on such "green" initiatives as life cycle analysis and LEED™ certification. Knoll is proud to have contributed to projects that have received LEED certification from the U.S. Green Building Council.

For the latest information on Knoll products that help our customers achieve LEED certification, log on to knoll.com, click on "About Knoll" and then "Environmental Focus."