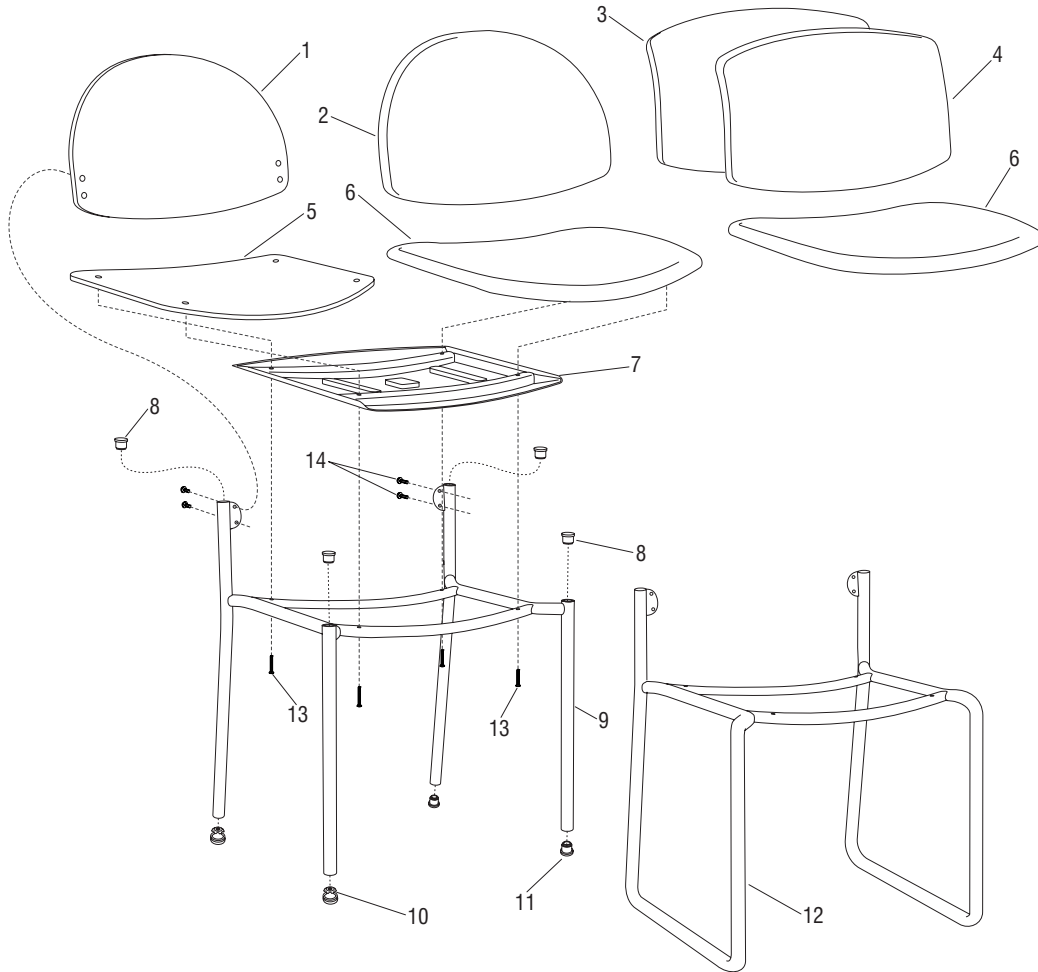


# Parts Diagram ■

Versa® Standard Armless Chair

September 2018



Item	Part Number	Item Description
1	VRPW	Back, Versa Std, Round Back, Wood
		Back, Versa Std, Round Back, Poly
2	VSRC	Back, Versa Std, Round Back, Upholstered
3	VRPW	Back, Versa Std, Square Back, Wood
4	VSRC	Back, Versa Std, Square Back, Upholstered
5	VRPW	Seat, Versa Std, Wood
		Seat, Versa Std, Poly
6	VSRC	Seat, Versa Std, Upholstered
7	85.4961.BL	Seat Pan, Versa Std
8	53.6550.XX	Plug, Plastic (for armless model)
9	VSFR	Chair Frame, Versa Std, Four-Leg with Glides, Armless (with or without ganging)

Item	Part Number	Item Description
10	10.0190	Glide, Steel
11	53.6550.XX	Glide, Plastic
12	VSFR	Chair Frame, Versa Std, Sled Base, Armless
13	12.0661.X	Screw, #10-24 x 1 1/4" PH OVL HD (wood or upholstered seat to frame)
	12.0662	Screw, #10-24 x 1 1/8" PH FLAT HD (poly seat to frame)
14	12.0903.X	Screw, 1/4-20 X 1/2" UNBREAKO BTN SHCS (wood back to frame)
	12.0904	Screw, 1/4-20 X 3/8" UNBREAKO BTN SHCS (poly back to frame)
	12.0241.X	Screw, 1/4-20 X 3/4" UNBREAKO BTN SHCS (attach upholstered back to frame)