

# PRODUCT SPECIFICATIONS ■

## Versa® Standard Chair

October 2018

### TECHNICAL SPECIFICATIONS

#### Standard Frame

Legs of  $\frac{7}{8}$ " O.D. by 13-gauge tubular steel. "Kick-back" rear legs on four-leg model increases structural integrity and adds to stability. Side members of  $\frac{7}{8}$ " O.D. by 13-gauge tubular steel. Cross tube members of  $\frac{7}{8}$ " O.D. by 14-gauge tubular steel. Legs are joined to side members by brazing; all other joints are robotically welded.

#### Standard Tube End Caps

Molded plastic. The end cap will match the frame color. With chrome frames, the end cap will be black.

#### Armrests

Molded nylon or chrome-plated cast aluminum.

#### Glides

##### 4-Leg Chairs

Glides are pressed into the bottom of the leg tubes. Three glide options are available; felt, plastic, and steel. Felt and plastic glides have a swivel base and have easy-on/easy-off replaceable caps, which makes field replacement easy and efficient (plastic & felt caps are interchangeable). Steel glides have a non-swivel base and do not have interchangeable caps. No color options are available for glides.

##### 4-Leg Wallsaver Chairs

Only available with steel glides. Rear glides have a swivel base, front glides have a non-swivel base. No color options are available for glides.

#### Sled Base Non-Skid Glides (optional)

Black PVC material. Fixed in position by a screw. Field-installable.

#### Upholstered Seat

Seat is .30" thick molded polypropylene. Fastened to frame with four #10-24 screws through T-nuts embedded in the seat. Urethane foam  $1\frac{1}{8}$ " thick glued to seat. Molded polypropylene seat shroud assembled between seat and frame.

#### Upholstered Round Back

Two-piece contoured construction with rounded top. Inner back is molded polypropylene with  $\frac{3}{4}$ " thick urethane foam. Outer back is molded polypropylene with  $\frac{1}{4}$ " thick urethane foam. Three spring steel clips attach the inner and outer backs together. The back assembly is attached to the frame with four  $\frac{1}{4}$ -20 screws.

#### Upholstered Square Back

Two-piece contoured construction with squared-off top. Inner back is  $\frac{7}{16}$ " thick multi-ply gum wood veneer with 1" thick urethane foam. Outer back is  $\frac{3}{16}$ " thick multi-ply gum wood veneer with  $\frac{1}{4}$ " thick urethane foam. Three spring steel scissor clips attach the inner and outer backs together. The back assembly is attached to the frame with four  $\frac{1}{4}$ -20 screws.

#### Ganging Fixtures

Welded steel rod. Armrest models have separate fixture that can be installed with screws to underside of arms (shipped K.D.). Armless models have fixture welded to frame.



## TECHNICAL SPECIFICATIONS (cont.)

### Wood Seat and Backrest

Backs (round & square) and seats are constructed of hard maple multi-ply veneer contoured with "A Grade" faces. Backs are .48" thick and seats are .38" thick. Backs are attached to the frame with four 1/4"-20 screws and cap nuts that are pressed into the wood backs. Seats are attached to the frame with four #10-24 screws and cap nuts that are pressed into the wood seats. Cap nut heads are low profile with gloss black finish. Molded polypropylene seat shroud is assembled between seat and frame. Optional plastic stack bumpers (four) are available to protect seats when stacked. Caution needs to be used when stacking.

### Frame Finishes

Frames are finished in either baked-on electrostatically-applied epoxy powder-coat paint, or bright nickel-chrome plated finish.

### Tablet Arm Chair

Tablet, 5/8" thick, has plywood core with high pressure laminate writing surface and plain backer undersurface. Edges are rounded and sealed with a clear lacquer finish. Available in left- or right-handed models. Non-stacking. Seating clearance is 14". Tablet is 12" wide by 20 5/8" deep.

### Standard Transport Dolly

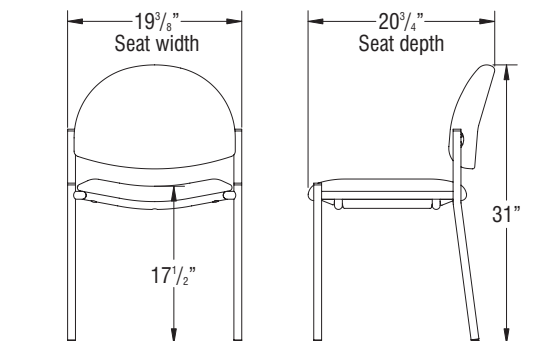
Tubular steel frame, black powder-coated finish. Four 5" swivel wheels.

### Stacking Vinyl, Polyurethane, and Imitation Leather Upholstered Chairs

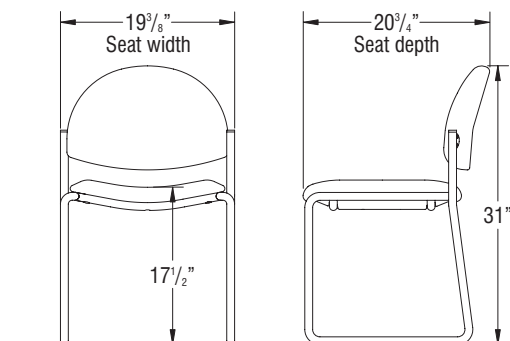
It is recommended that chairs to be stacked be covered in material other than vinyl, polyurethane, or imitation leather as an impression in the seat may result. KI does not warrant the effects of stacking on stock or C.O.M. vinyl, polyurethane, or imitation leather upholstery.

---

## DIMENSIONS



Armless 4-Leg Chair



Armless Sled Base Chair

# STATEMENT OF LINE

All models are available with upholstered seat/backrest, wood seat/backrest, or upholstered seat/wood backrest.



15NAGW



15NAGWWS



15WAGW



15WAGWWS



15TALW



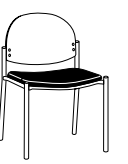
15NAGSW



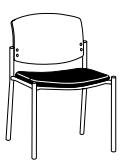
15WASGW



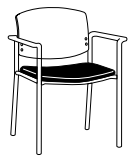
15NAGUW



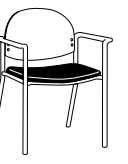
15NAGUWWS



15WAGUW



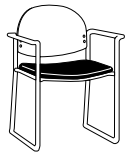
15WAGUWWS



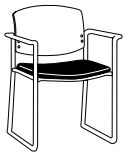
15NASGUW



15WASGUW



S96NAL



S96WAL

