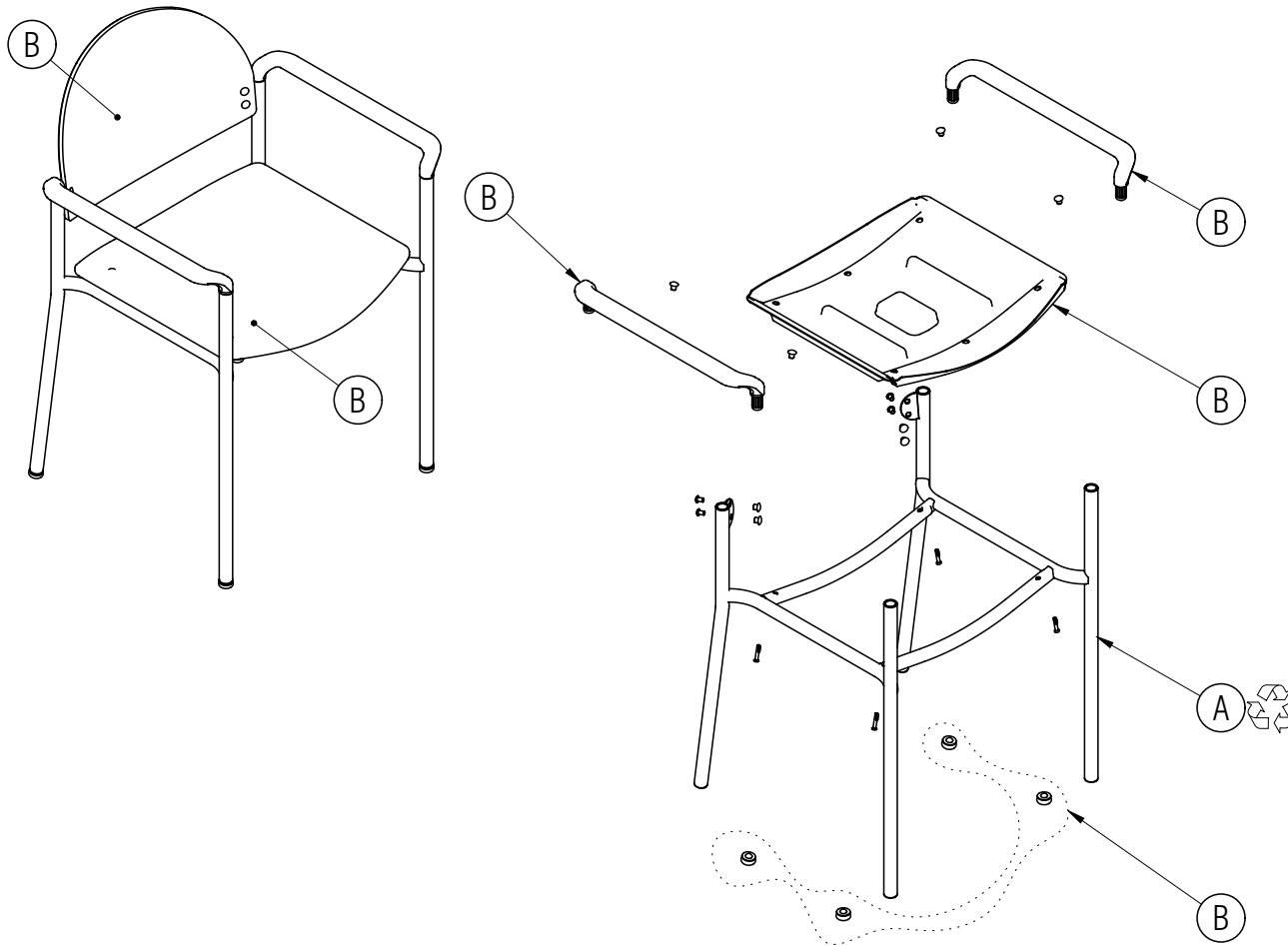


# Disassembly Instructions



Versa Chair, Versa XL Chair, Versa Conference Chair, Versa Junior Chair

Material Type: A . Steel B. Plastic



## Procedure:

1. Remove the screws holding the backrest onto the chair frame and remove the backrest.
2. Remove the screws holding the seat and seat liner to the chair frame and remove the seat and seat liner.
3. Knock out the armrests from each side of the chair frame.
4. Pry the out the glides from the ends of the leg tubes.

## General Notes:

1. Disassembly time: 5-10 minutes
2. This procedure assumes basic familiarity with hand tools and furniture terminology: no specialized training is required
3. All materials removed and disassembled shall be sorted and segregated with like materials and disposed of or recycled according to recycling availability or waste acceptance
4. For items to be recycled, refer to KI's End of Life Recycling Matrix and KI's End of Life Recovery Options Matrix, available at [www.ki.com](http://www.ki.com)

All fasteners not explicitly tagged are Material Type A: Steel

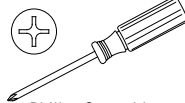
## Required Tools



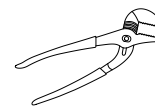
Gloves



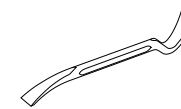
Safety Glasses



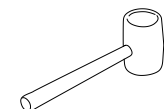
Philips Screwdriver



Channel Lock Pliers



Pry Bar



Rubber Mallet