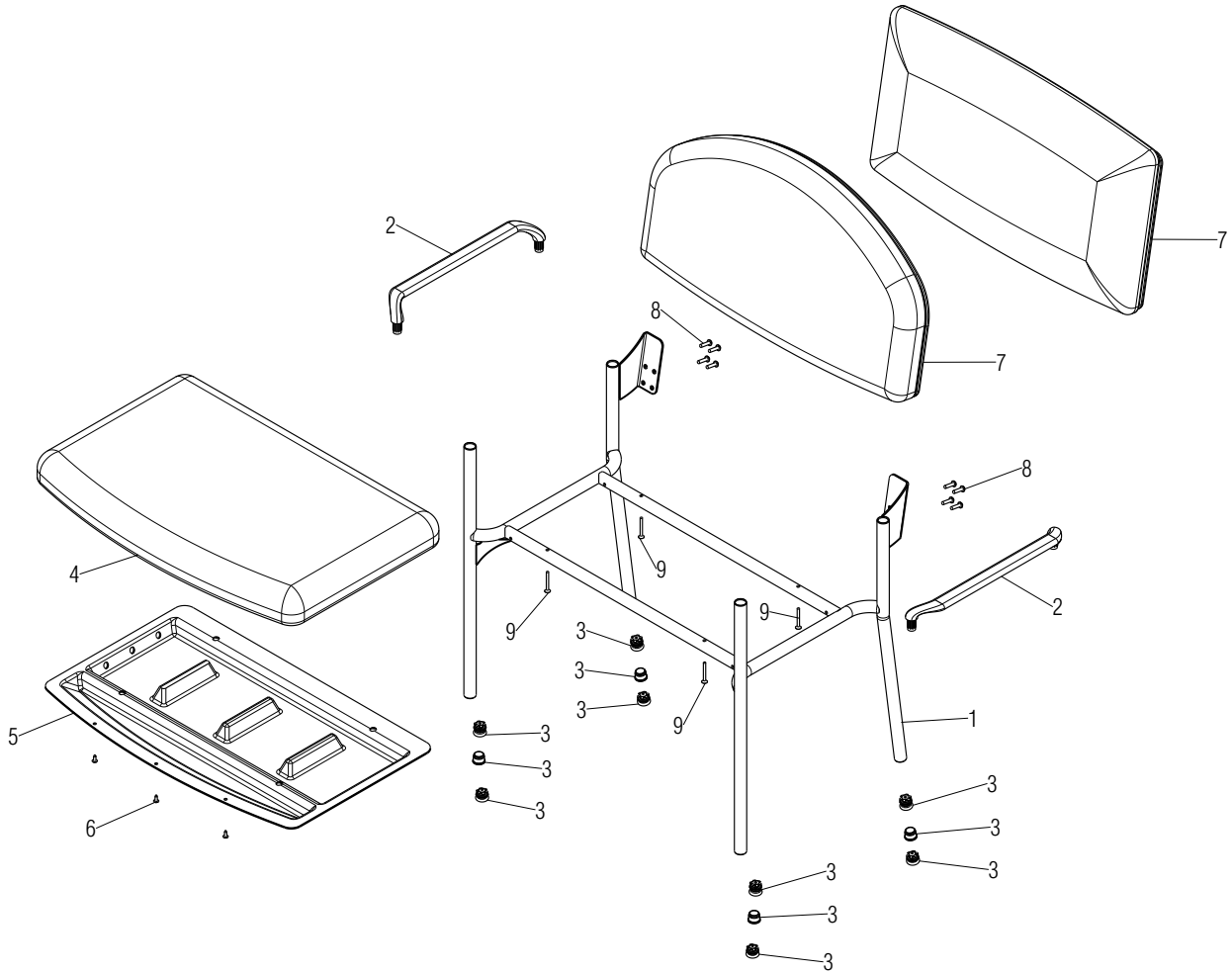


Parts Diagram

Versa® XL 4-Leg Armchair
Non-Ganging, Ganging & Wallsaver

September 2018



.XX = Select Color

* = Item 1 (frame) shipped with Item 2 (armrest) and Item 3 (glide option) all factory installed. When ganger frame is selected, Item 10 (ganger kit) will ship KD.

Items 8 & 9 (screws) are not included with frame

Item 4 includes Item 9

Item 7 includes Item 8

Item	Part Number	Item Description	Req Qty	Item	Part Number	Item Description	Req Qty
1	VSFR*	Assembly, XL Four-Leg Armchair Frame	1	4	VSRC	Replacement Cushion, XL Seat	1
		Assembly, XL Wallsaver Four-Leg Armchair Frame	1	5	46.9072.X	Shroud, Seat	1
		Assembly, XL Ganging Four-Leg Armchair Frame	1	6	12.9039.X	Screw, #10 X 5/8 PPH Twin Lead W/PATCH T/S	3
		Assembly, XL Ganging Wallsaver Four-Leg Armchair Frame	1	7	VSRC	Replacement Cushion, XL Round Backrest	1
2	85.4927.XX.X	Armrest, Universal	2			Replacement Cushion, XL Square Backrest	1
3	53.6555.XX.X	Glide, Plastic	4	8	12.0247.X	Screw, 1/4-20 x 1.0 BTN SOC HD CAP	8
	10.0195.X	Glide, Steel Fixed	4	9	12.0584.X	Screw, #10-24 x 1-3/4 PH Flat Machine	4
	10.0100.X	Glide, Steel Swivel, Wallsaver Frame Only	4	10	13.0199.X	Kit, Male & Female Ganger w/ Screws (not shown)	1

