

Assembly Instructions ■

U-Series® Pedestal

Worksurface Supporting Pedestal with Panel Supporting Bracket

January 2016

Removing Drawers

Note: To ease the assembly of support brackets to cabinets and cabinets to worksurfaces, all file drawers should be removed.

1. Empty the contents of file drawers and open drawer until suspension is fully extended (Figure 1).
2. Using a slot screwdriver, place tip between the drawer body and the suspension, near the slip connection (Detail A).
3. Rotate the screw driver to pry the glide away from the drawer body, while pressing up on the bottom of the drawer (Detail A).
4. The drawer will now slip free from the rear connections by pulling the drawer evenly at a slight angle upwards (Figure 1).

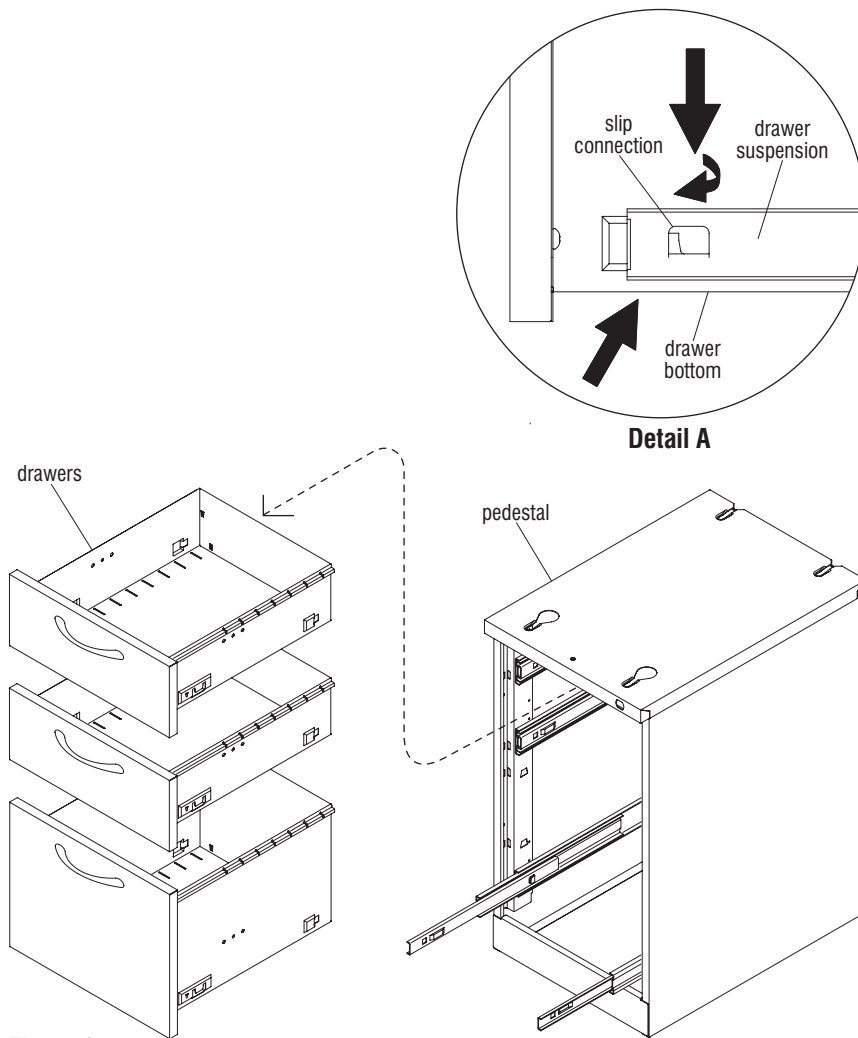


Figure 1



Assemble units as described herein only. To do otherwise may result in instability. All screws, nuts and bolts must be tightened securely and must be checked periodically after assembly. Failure to assemble properly, or to secure parts may result in assembly failure and personal injury.

■ U-Series® Pedestal - Panel Supporting Bracket

Assembly Instructions



Assemble units as described herein only. To do otherwise may result in instability. All screws, nuts and bolts must be tightened securely and must be checked periodically after assembly. Failure to assemble properly, or to secure parts may result in assembly failure and personal injury.

U-Series Pedestal, Panel Supporting Bracket without Spacer

1. Position the panel supporting bracket along the top and side edge of the pedestal as shown. Be sure the teeth are facing up (Figure 2).

Note: If a spacer-type panel supporting bracket is required, go to page 3.

Important: Care should be taken to ensure that the supporting bracket is aligned well with the top and side of the cabinet for cosmetic integrity and safe installation of the worksurfaces. Using a small piece of double-sided tape at the top and bottom of the bracket to hold it in place can aid in alignment of the supporting bracket.

2. Using the four #10-16 x 1/2" self-drilling sheet metal screws provided, carefully secure the panel supporting bracket to the cabinet (Figure 2 or 3).

Note: For right-hand installations, align the supporting bracket with the right side of the cabinet (Figure 2). For left-hand installations align the supporting bracket with the left side of the cabinet (Figure 3).

3. To install pedestal to worksurface, go now to page 4.

Tip: A small piece of double-sided tape will help hold the bracket in alignment to the pedestal while driving the self-drilling and tapping screws into place.

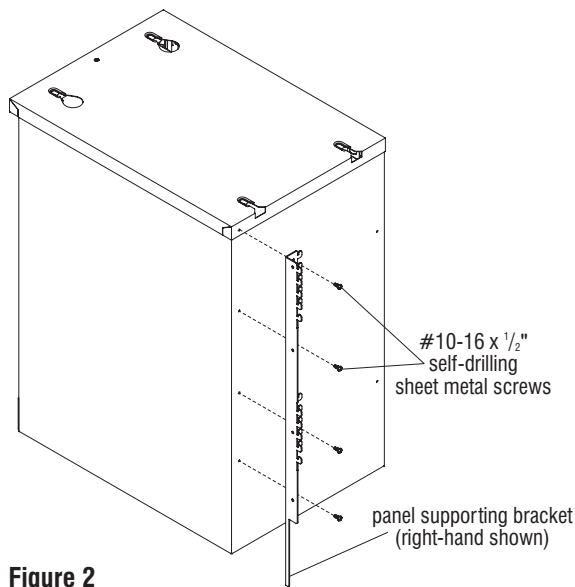


Figure 2

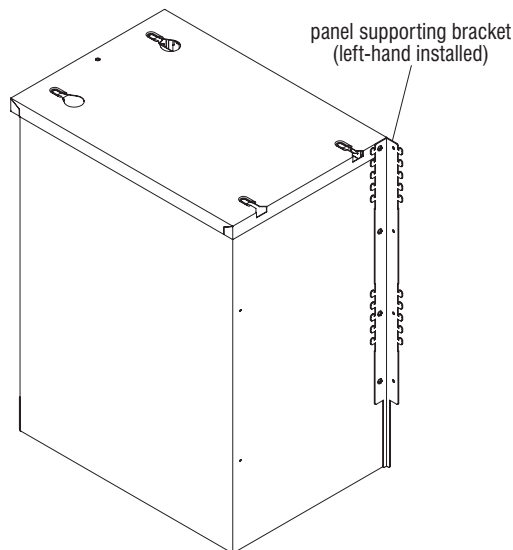


Figure 3



Assemble units as described herein only. To do otherwise may result in instability. All screws, nuts and bolts must be tightened securely and must be checked periodically after assembly. Failure to assemble properly, or to secure parts may result in assembly failure and personal injury.

Tip: A small piece of double-sided tape will help hold the bracket in alignment to the pedestal while driving the self-drilling and tapping screws into place.

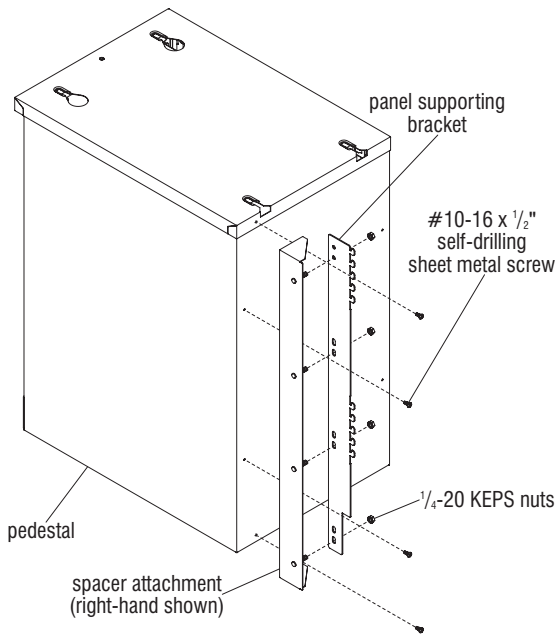


Figure 4

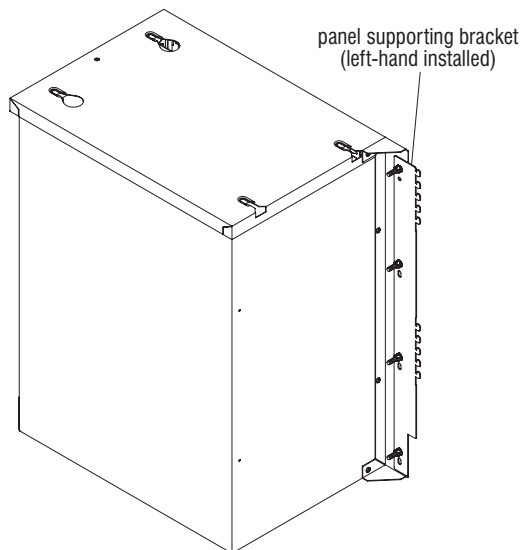


Figure 5

U-Series Pedestal, Panel Supporting Bracket with Spacer

1. Locate the spacer attachment along the top and side edge of the pedestal as shown (Figure 4).

Note: For right-hand installations, align the spacer with the right side of the cabinet with the studs facing left (Figure 4). For left-hand installations flip the spacer over and align the bracket on the left side of the cabinet with the studs pointed right (Figure 5).

Important: Care should be taken to ensure that the spacer is aligned well with the top and side of the cabinet for cosmetic integrity and safe installation of the worksurfaces. Using a small piece of double-sided tape at the top and bottom of the bracket to hold it in place can aid in alignment of the spacer.

2. Using the four #10-16 x 1/2" self-drilling sheet metal screws provided, carefully secure the spacer to the cabinet (Figure 4).
3. Attach the panel supporting bracket to the spacer. Secure to the threaded studs on the spacer with the four 1/4-20 KEPS nuts provided (Figure 4).
4. To install pedestal to worksurface, go now to page 4.



Assemble units as described herein only. To do otherwise may result in instability. All screws, nuts and bolts must be tightened securely and must be checked periodically after assembly. Failure to assemble properly, or to secure parts may result in assembly failure and personal injury.

Pedestal to Panel Installation

Note: All pedestals mount to the panel in the same manner, regardless of bracket style.

1. At the location for pedestal installation, move the pedestal to the panel and insert the upward facing teeth of the panel supporting bracket into the notches in the panel frame.
2. Twist and extend the four glides to raise the pedestal and allow the upward facing teeth of pedestal bracket to engage the panel. This will firmly lock the teeth of the bracket to secure the pedestal to the panel.

Note: If installing a double pedestal (not shown), no holes have been pre-drilled into the underside of the worksurface for installation. Once the double pedestal is aligned square, use the pedestal mounting holes as a template, and pre-drill using 1/8" drill bit, to depth of 1/2" into underside of worksurface. Take care to not drill too deep.

4. To install pedestal to underside of worksurface, align pre-drilled holes in the worksurface with mounting holes of the pedestal. Take care to assure that the front and side of the pedestal is flush with the edges of the worksurface as illustrated (Figure 6).

Worksurface to Pedestal Installation

3. Carefully place worksurface onto the installed cantilever bracket, (if used) and the pedestal. Align mounting holes of the installed bracket to pre-drilled holes in underside of worksurface. Secure using two screws appropriate for the bracket. Take care to not over-tighten screws (Figure 6).

Note: If a Knife Edge worksurface is being installed, the pedestal will be set back from the front edge of worksurface.

5. Once mounting holes are aligned and cabinet is square, secure pedestal to worksurface using four hanger bolts and one thumb screw (Figure 6).
6. Re-install pedestal drawers by first extending suspensions out of cabinet. Slide the rear slip connection together by aligning the tab of the suspension with the corresponding slot in the drawer body. Hold suspension firmly while pushing the drawer, making sure the slip connection is together properly.
7. With the rear slip connection in place correctly, the front connection tabs will align and the drawer can be pushed down and snapped securely into place.

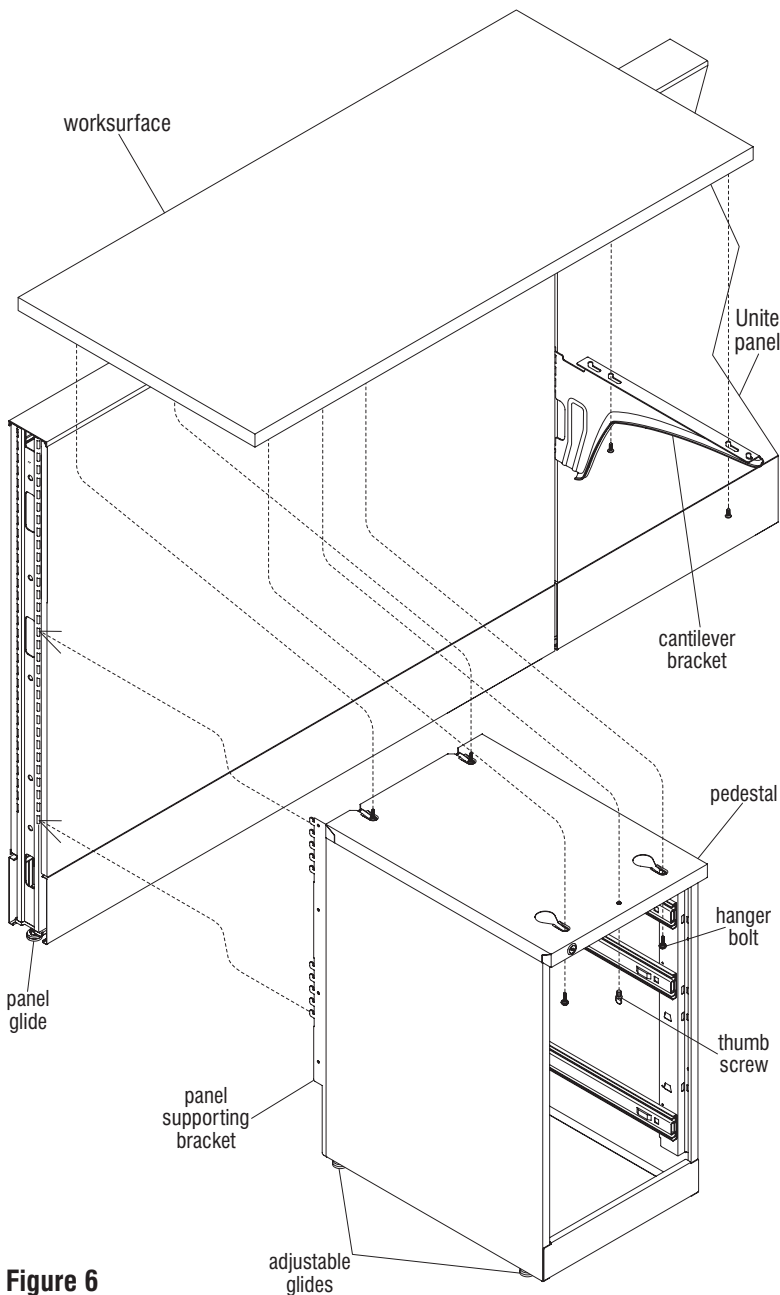


Figure 6