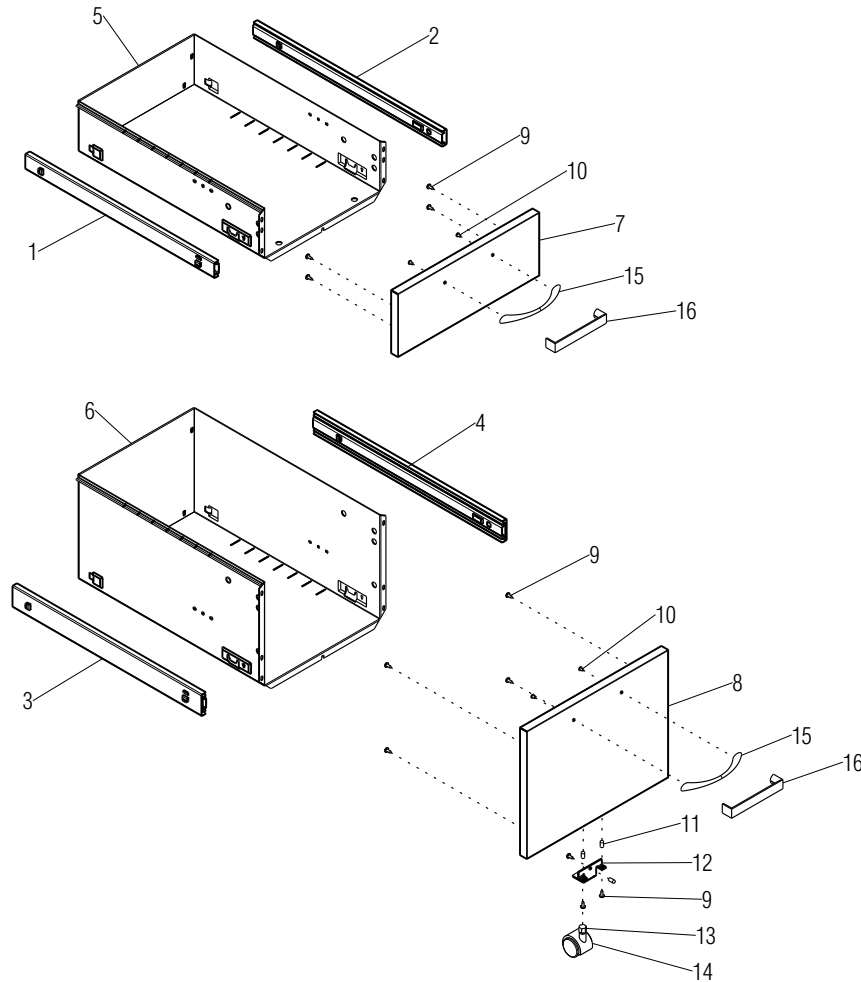


Parts Diagram

U-Series® Pedestal
Drawers

December 2018



Arc Nickel Handle is standard

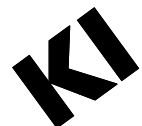
See price list for counterbalance weights when converting to File/File configuration.

Items 7 & 8 must have color noted when ordering.

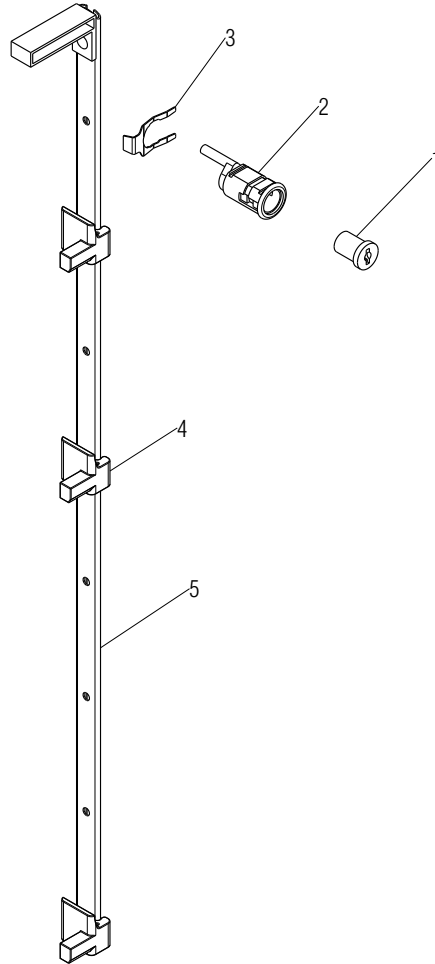
Item 9 requires a quantity of 3 for a 5th Wheel Caster or quantity of 4 for Drawer Front.

5th wheel caster assembly used on Mobile/Freestanding & non-File/File configurations only.

Item	Part Number	Item Description	Req Qty	Item	Part Number	Item Description	Req Qty
1	2.KP20601	20" Box Type Left Suspension (15 13/16")	1		2.KP40249.24F	24" File Drawer Body (19 5/8")	1
	2.KP20603	24" Box Type Left Suspension (19 13/16")	1	7	2.KP40204.OB	Box Drawer Front	1
2	2.KP20600	20" Box Type Right Suspension (15 13/16")	1	8	2.KP40204.OF	File Drawer Front	1
	2.KP20602	24" Box Type Right Suspension (19 13/16")	1	9	2.KP20171	Screw, #10 x 1/2" Type AB	3-4
3	2.KP20618.20L	20" File Type Left Suspension (15 13/16")	1	10	2.KP80490	Screw, 8-32 x 1/4"	2
	2.KP20618.24L	24" File Type Left Suspension (19 13/16")	1	11	2.KPA1887	Screw Cap	3
4	2.KP20618.20R	20" File Type Right Suspension (15 13/16")	1	12	2.KP40330	5th Wheel Caster Bracket	1
	2.KP20618.24R	24" File Type Right Suspension (19 13/16")	1	13	2.KP20230	5/16"-18 Nut with Lock Washer	1
5	2.KP40249.20B	20" Box Drawer Body (15 5/8")	1	14	2.KP20432	5th Wheel Caster	1
	2.KP40249.24B	24" Box Drawer Body (19 5/8")	1	15	2.KP56024	Handle, Arc Nickel (standard)	1
6	2.KP40249.20F	20" File Drawer Body (15 5/8")	1	16	2.KP61840	Handle, Connection Zone	1



■ U-Series® Pedestal - Locks
Parts Diagram



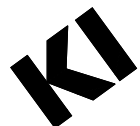
Box/File = 2 Lock Pins

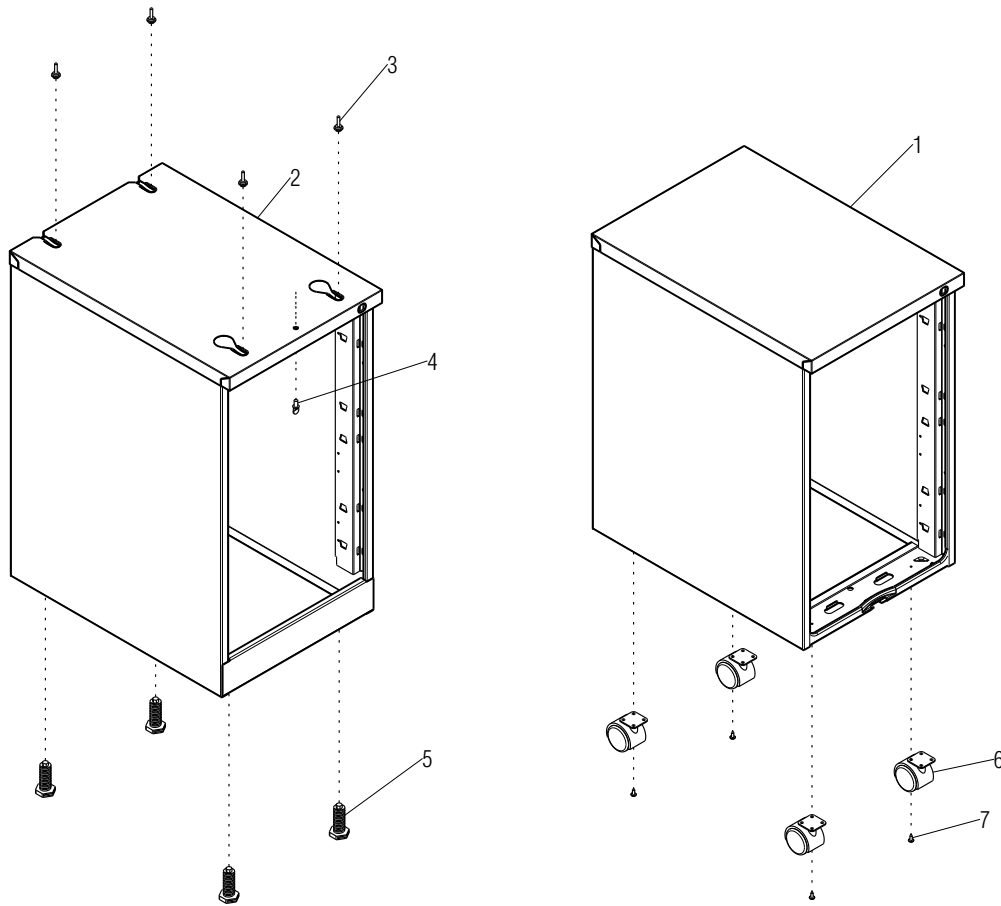
Box/Box/File = 3 Lock Pins

File/File = 2 Lock Pins

Number of Lock Pins must be specified when ordering new Lock Channel

Item	Part Number	Item Description	Req Qty
1	2.KP20522	Lock Core & Keys	1
2	2.KP29060	Lock Housing	1
3	2.KP29005	Lock Clip	1
4	2.KP20278	Lock Pin	1
5	2.KP40279.6	Lock Channel - Box/File	1
	2.KP40279.8	Lock Channel - Box/Box/File	1
	2.KP40279.8	Lock Channel - File/File	1





See pedestal accessories price list for counterbalance weights
5th Wheel Caster parts are shown on page 1
Items 1 & 2 must have color noted when ordering

Item	Part Number	Item Description	Req Qty
1	2.KP56300.20MFBF	20" Mobile/Freestanding Box/ File Pedestal (19 3/16" high x 17 5/8" deep)	1
	2.KP56300.20MFBBF	20" Mobile/Freestanding Box/ Box/File and File/File Pedestal (25 1/16" high x 17 5/8" deep)	1
	2.KP56300.24MFBF	24" Mobile/Freestanding Box/ File Pedestal (19 3/16" high x 21 5/8" deep)	1
	2.KP56300.24MFBBF	24" Mobile/Freestanding Box/ Box/File and File/File Pedestal (25 1/16" high x 21 5/8" deep)	1
2	2.KP56300.20WSBBF	20" Deep Worksurface Supporting Box/Box/File and File/File Pedestal (27 5/8" high x 17 5/8" deep)	1
	2.KP56300.24WSBBF	24" Deep Worksurface Supporting Box/Box/File and File/File Pedestal (27 5/8" high x 21 5/8" deep)	1
3	2.KP20201	Hanger Bolt, #14 x 7/8"	4
4	2.KP20046	Thumb Screw, 1/4"-20 x 1/2"	1
5	2.KP56025	.781" - 5 Glides (used on worksurface supporting ped only)	4
6	2.KP56308	Plate Mounted Caster Kit (4 casters with 5th wheel) (mobile)	1
	2.KP56309	Plate Mounted Glide Kit (4 glides with 5th wheel) (freestanding)	1
7	2.KP20171	Screw, #10 x 1/2" Type AB (mobile & freestanding only)	4