

# PRODUCT SPECIFICATIONS ■

## Uniframe® Shaped Mobile Tables without Seating Round, Oval, Square, Hexagonal & Octagonal

November 2018

### TECHNICAL SPECIFICATIONS

#### 15-Year Warranty

All tables described herein carry a 15-year warranty for table frames and tabletops with bullnose or 73P edges. Tabletops with KI's exclusive "Perfect Edge" carry a lifetime warranty.

#### Lift Mechanism

Shaped tables fold in one fluid motion without pneumatic or torsional energy assistance. Safety lock engages in the semi-open position to halt downward movement. Safety lock can be released from either side of the table.

#### Tabletops

Tabletops are of solid core nominal  $\frac{3}{4}$ " thick warp-resistant construction. Center core is  $\frac{5}{8}$ " thick 45 lb high density particleboard. A .040" high-pressure laminate face is used for the top surface with a balanced high-pressure laminate backer for the bottom surface. Tabletops are attached to the table frame with deep-thread screws, expansion rivets are not to be used. Corners have a  $1\frac{1}{2}$ " radius.

#### Edges

Tabletop edges are finished in one of the following:

##### Bullnose Edge

Edges are banded with an abrasion-resistant black vinyl bullnose molding. The barbed "T" design is inserted into a routed groove in the solid particleboard top and held in place with nails driven from the underside, spaced 8-10" apart.

##### 73P Edge

Edges are banded with a 2mm flat polypropylene edge banding that is chemically bonded to the table core.

##### "Perfect Edge"

The "Perfect Edge" is made of  $\frac{1}{4}$ " thick by  $\frac{3}{4}$ " high, cast black polyurethane. It is mechanically and chemically bonded to the table core and chemically bonded to the laminate surface edges to provide a superior, permanently sealed barrier to moisture, dirt and bacteria penetration.

#### Frames

Table frames are fabricated using a welded unitized construction, integrating all structural steel members into a self-supporting unit. The tabletop support apron is 11-gauge angle steel, pierced to securely anchor the tops. End leg and center leg assemblies are robotically wire-welded. Leg assembly consists of 1" x 2" 14-gauge vertical tube and bottom tube, 1" round 14-gauge top tube and two support gussets for added strength. Hinges and lock plates are 7-gauge steel. Stretcher bars are 1" wide, 7-gauge steel. All legs operate from the unitized frame, not the tabletop.

#### Frame Finishes

Frame finish is one of the following:

##### Powder-Coated Finish

30-sheen epoxy powder-coat paint is electrostatically applied. The dry coating is then fused and cured in a baking oven to form a smooth, continuous film. Finish is chemical-resistant, hard, tough and mar-resistant. Standard finish is black; other colors available at a slight upcharge.

##### Chrome Finish

Bright and semi-bright duplex nickel-chrome is applied to the frame in a twenty-two step process, making it impervious to staining, scuffing, scratching and corrosion. Upcharge applies.



## TECHNICAL SPECIFICATIONS (cont.)

### Locks

Storage lock is constructed of  $\frac{3}{8}$ " solid steel rods and engages automatically into slots in apron hinge. Lock is spring loaded for automatic engagement and semi-concealed to prevent accidental release. Release of storage lock is possible from either side of the table.

### Casters

Large 4" diameter heavy-duty hard rubber swivel casters provide easy and safe maneuverability. When the table is in use, casters lift off the floor to prevent table from rolling. To avoid tripping hazards, casters do not extend beyond the end of the table when in the open position. Casters are self-lubricating.

### General

Tables ship fully assembled.

---

## DIMENSIONS

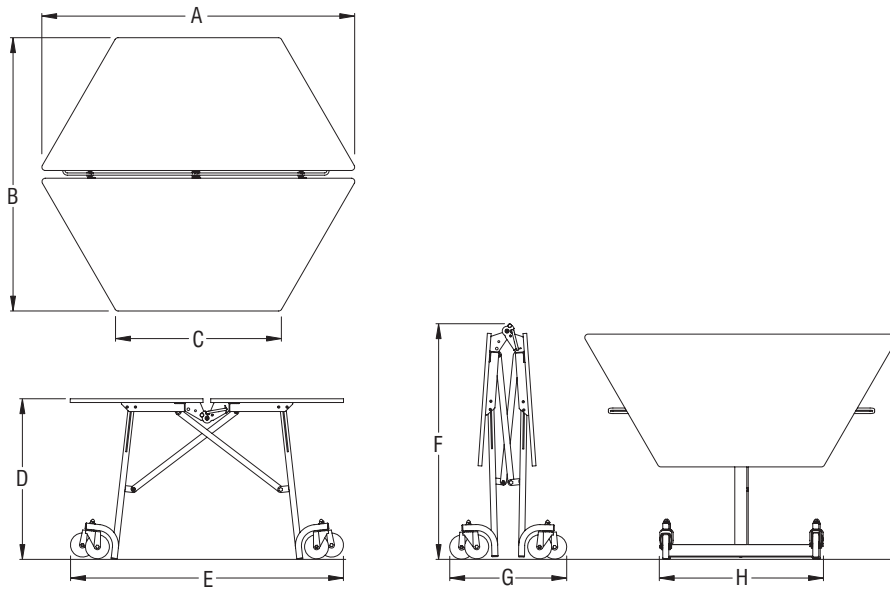
Table height is either 27", 29", 31 $\frac{3}{4}$ " or 42".

Table is available in eight sizes:

- Round - 48", 60", or 72" diameter\*
- Oval - 60" x 66" or 60" x 72"
- Square - 48"
- Hexagonal - 48"
- Octagonal - 60"

\* Stand-up height 42" high units are only available in 48" and 60" diameter.

## DIMENSIONS



Model #	A	B	C	D	E	F	G	H
UFRD6/29	72"	72"		29"	42.5"	40.75"	12.0"	37.0"
UFRD6/27	72"	72"		27"	42.5"	38.75"	12.0"	37.0"
UFRD5/29	60"	60"		29"	42.5"	40.75"	12.0"	37.0"
UFRD5/27	60"	60"		27"	42.5"	38.75"	12.0"	37.0"
UFRD4/29	48"	48"		29"	42.5"	40.75"	12.0"	37.0"
UFRD4/27	48"	48"		27"	42.5"	38.75"	12.0"	37.0"
UFOV72/29	72"	60"		29"	42.5"	40.75"	12.0"	37.0"
UFOV72/27	72"	60"		27"	42.5"	38.75"	12.0"	37.0"
UFOV66/29	66"	60"		29"	42.5"	40.75"	12.0"	37.0"
UFOV66/27	66"	60"		27"	42.5"	38.75"	12.0"	37.0"
UFSQ4/29	48"	48"		29"	42.5"	40.75"	12.0"	37.0"
UFSQ4/27	48"	48"		27"	42.5"	38.75"	12.0"	37.0"
UFHX4/29	56"	48"	24.5"	29"	42.5"	40.75"	12.0"	37.0"
UFHX4/27	56"	48"	24.5"	27"	42.5"	38.75"	12.0"	37.0"
UFOC5/29	60"	60"	24.5"	29"	42.5"	40.75"	12.0"	37.0"
UFOC5/27	60"	60"	24.5"	27"	42.5"	38.75"	12.0"	37.0"
UFSU5/42	60"	60"		42"	42.5"	53.75"	12.0"	37.0"
UFSU4/42	48"	48"		42"	42.5"	53.75"	12.0"	37.0"
WAUFRD6	72"	72"		31"	42.5"	42.75"	12.0"	37.0"
WAUFRD5	60"	60"		31"	42.5"	42.75"	12.0"	37.0"
WAUFRD4	48"	48"		31"	42.5"	42.75"	12.0"	37.0"
WAU-FOV72	72"	69"		31"	42.5"	42.75"	12.0"	37.0"
WAU-FOV66	66"	60"		31"	42.5"	42.75"	12.0"	37.0"
WAUFSQ4	48"	48"		31"	42.5"	42.75"	12.0"	37.0"
WAUFHX4	56"	48"		31"	42.5"	42.75"	12.0"	37.0"
WAUFOC5	60"	60"		31"	42.5"	42.75"	12.0"	37.0"