

# PRODUCT SPECIFICATIONS ■

## Strive® Task Chairs & Task Stools

November 2017

### TECHNICAL SPECIFICATIONS

#### Backrest

Injection-molded polypropylene with integral steel cantilever springs. The combination of the slotted polypropylene back and the spring steel provides a supportive flexing back. Springs are nominal 4.5mm diameter chrome silicon valve spring wire.

#### Seat and Shroud

Injection-molded polypropylene, attached directly to the structure.

#### Optional Upholstered Seat

Molded urethane foam is attached to an injection-molded polypropylene seat board, then upholstered using a draw-string process. The assembled seat pad is attached to the seat by means of hidden fasteners. Note: Upholstered seat is required with translucent poly backs.

#### Optional Upholstered Back

A 1/2" thick urethane foam is attached to an injection-molded polypropylene back board, then upholstered using a draw-string process. The assembled back pad is attached to the back by means of fasteners, which are exposed and are color-matched to the polypropylene.

#### Underseat Structure

Support structure is 13-gauge steel die-formed, welded to a 1" O.D. x 14-gauge tubular steel cross member.

#### Frame Finishes

Baked-on electrostatically applied 30 gloss epoxy powder-coat paint.

#### Base

Injection-molded, glass-reinforced nylon 5-blade base (black or warm grey for task chair and stool). Casters have high-impact thermoplastic double-wheels. A single control paddle under the seat operates the height-adjusting pneumatic cylinder.

#### Casters

Casters are double-wheel (60mm) high-impact thermoplastic. High-impact plastic frame. Casters are monochromatic with base. Carpet or hard floor casters are offered. Hard floor casters are black only.

#### Arms

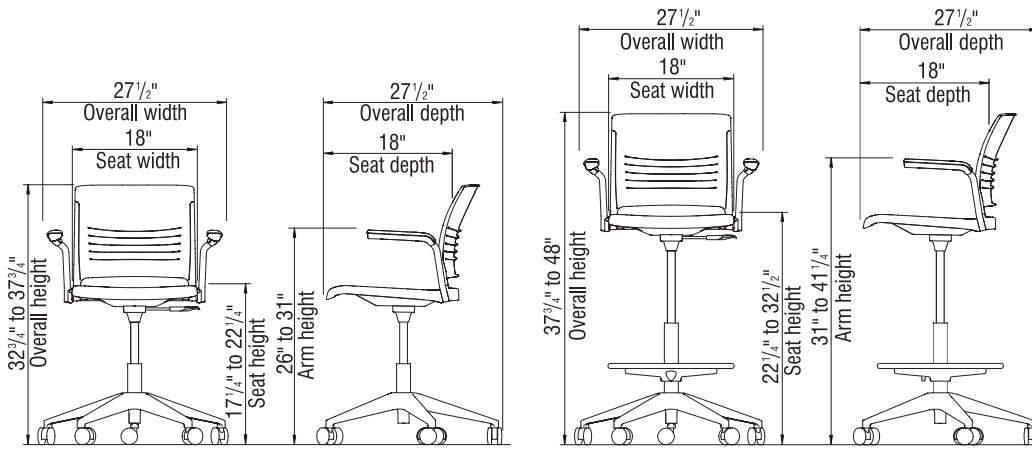
When equipped with optional cantilever arms, the supporting structure is 7/8" O.D. x 13-gauge tubular steel, welded directly to the seat support structure, and matching the seat and back color. The armcaps are injection-molded glass filled polypropylene, matching the seat and back color (when back is Diamond translucent, armcaps are Light Tone; when back is Pewter translucent, armcaps are Flannel; when back is Bronze translucent, armcaps are Chocolate). The armcaps are attached to the steel structure by means of screws.

#### Task Stool

In addition to the standard-height unit described above, a stool-height version is available. Stools are equipped with a pneumatic cylinder, allowing adjustment of seat heights from 22" to 32 1/2". The 18" diameter, adjustable-height foot ring is made of die-cast aluminum with a chrome-plated tubular steel ring and black "spokes". Stools are only with black or warm grey bases. The cylinders are available in black only.



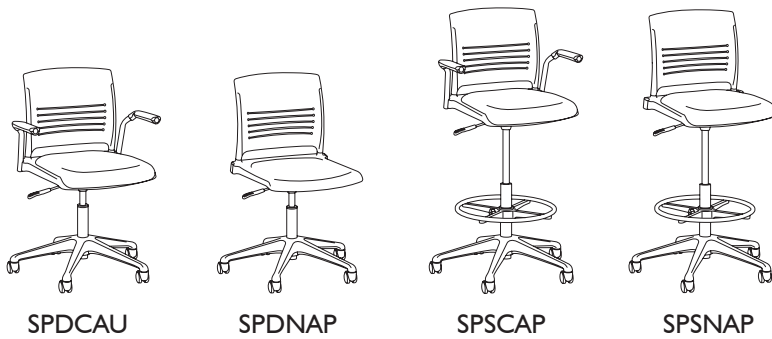
## DIMENSIONS



Task Chair

Task Stool

## STATEMENT OF LINE



SPDCAU

SPDNAP

SPSCAP

SPSNAP

## CODE COMPLIANCE

