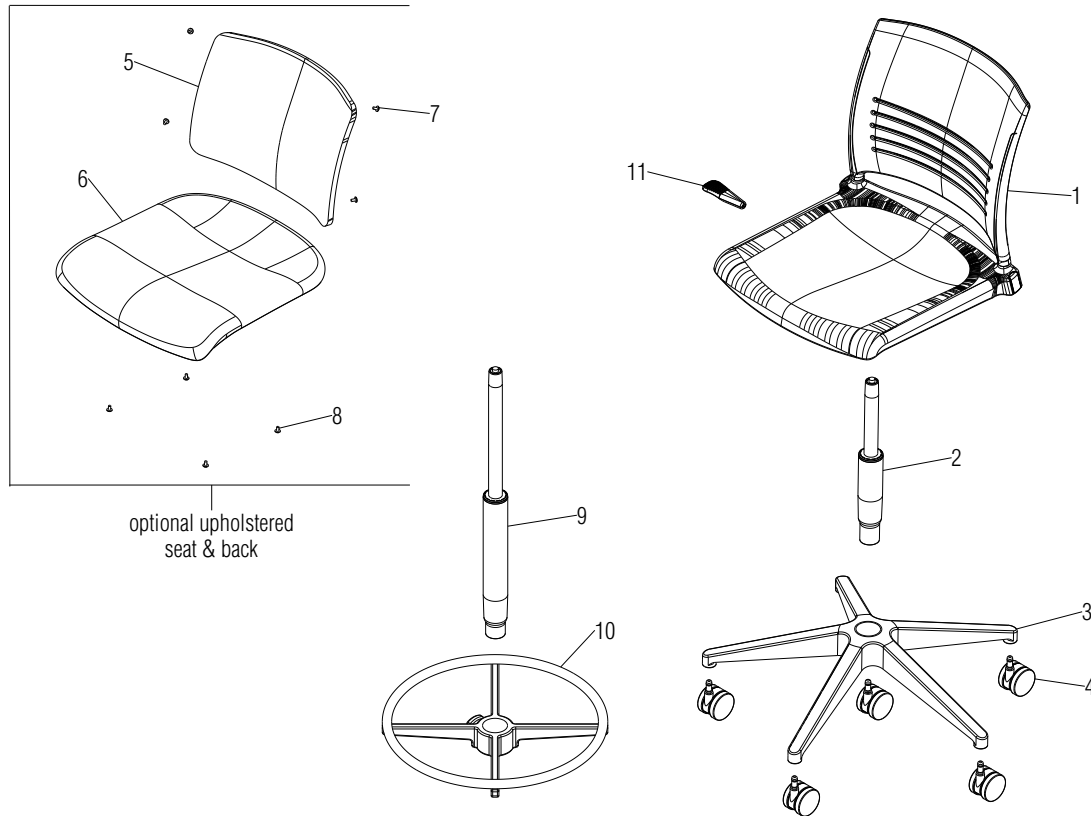


Parts Diagram

Strive® Seating
Armless Task Chair & Task Stool

August 2019



.XX = Select Color

Item 1 is a replacement Seat & Back (includes item 11).

Item 2 is for the Task Chair only.

Items 9 & 10 are for the Task Stool only.

Item	Part Number	Item Description	Req Qty	Item	Part Number	Item Description	Req Qty
1	SRFP	Replacement Seat & Back, Poly	1	5	STRBC	Assembly, Upholstered Backrest Cushion	1
	SRFU	Replacement Seat & Back, Upholstered Seat	1	6	STRRC	Assembly, Upholstered Seat Cushion	1
	SRFB	Replacement Seat & Back, Upholstered Seat & Back	1	7	12.0055.CZ.X	Screw, #10-16 x 1/2" Type AB T/F BLK ZC	4
2	15.1084.X	Cylinder, Pneumatic Height Adjustment, Type D (chair only)	1	8	12.0111.XX.X	Screw, #10-24 x 3/8" PTH M/S ZC w/ PATCH	4
	15.1084.WG.X	Cylinder, Pneumatic Height Adjustment	1	9	15.1002.X	Cylinder, Gas Seat Height Adjustment (stool only)	1
3	46.2995.XX.X	Base, 5 Blade Cylinder	1	10	15.5550.X	Ring, Stool Foot (stool only)	1
	SIFT.015.X	Aluminum Base, Grazie Task Chair	1	11	PT.06.6040.XX.X	Handle, Pedestal	1
4	09.0440.XX.X	Caster, 60mm Diameter Carpet	5				
	09.0441.BL.X	Caster, 60mm Diameter Hard Floor	5				

