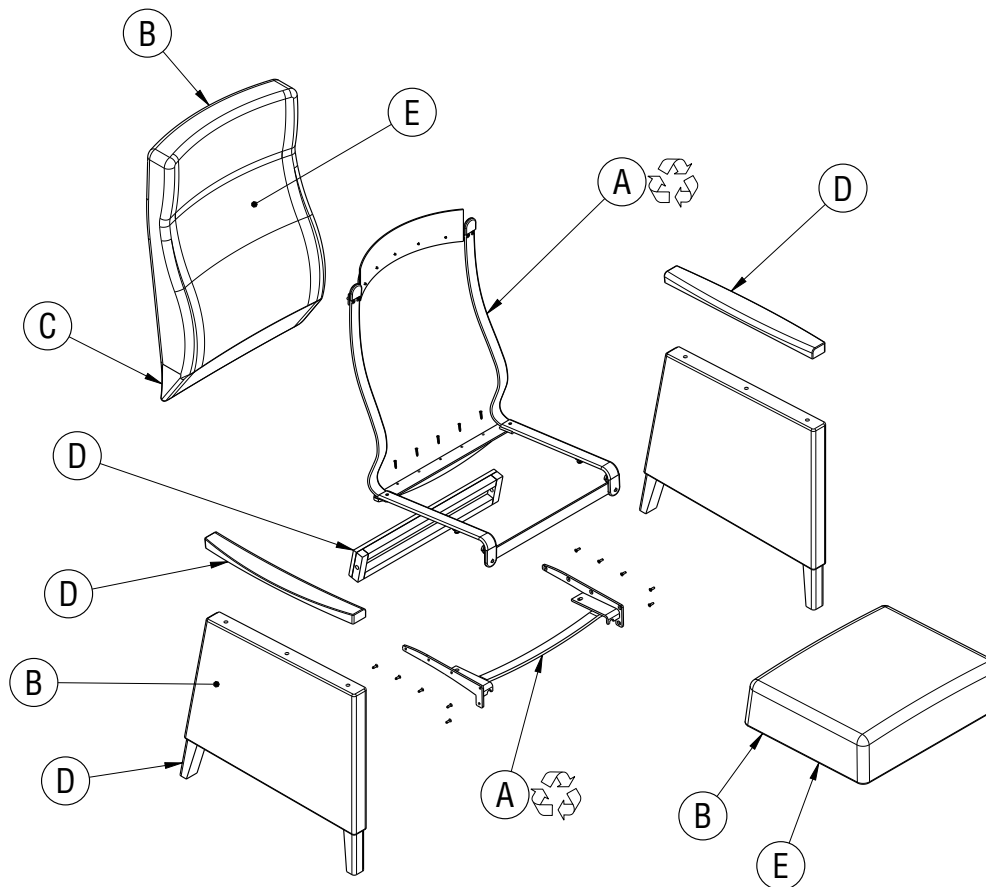
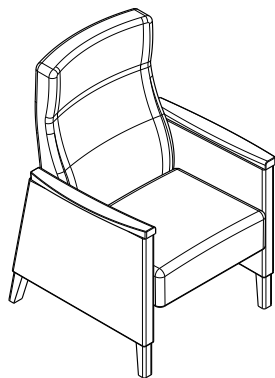


# Disassembly Instructions



Motion Patient Seating: Affina™, Briar®, Perth®, Soltice®

Material Type: A. Steel B. Foam C. Elastic Banding D. Wood E. Fabric



## Procedure:

1. Remove any fasteners holding armcaps and remove. If none are present, strike sharply upwards under armcap to loosen and separate the armcaps.
2. Turn chair bottom up and cut away any cloth covering to locate and expose seat fasteners.
4. Remove all screws holding seat to arms.
5. When arms are separated, cut away fabric and if present, scrape thin foam from wood arm components. Remove any steel brackets or fasteners. Remove any leg glides.
6. Cut away or remove large seat and back foam and fabric by hand.
7. Cut seat and back elastic banding away from steel frames.
8. Recycle steel frames and fasteners.
9. Discard remaining components.

## General Notes:

1. Disassembly time: 20-30 minutes
2. This procedure assumes basic familiarity with hand tools and furniture terminology: no specialized training is required
3. All materials removed and disassembled shall be sorted and segregated with like materials and disposed of or recycled according to recycling availability or waste acceptance
4. For items to be recycled, refer to KI's End of Life Recycling Matrix and KI's End of Life Recovery Options Matrix, available at [www.ki.com](http://www.ki.com)

 All fasteners not explicitly tagged or shown are Material Type A: Steel

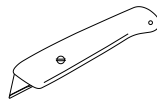
## Required Tools



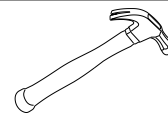
Gloves



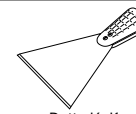
Safety Glasses



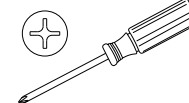
Utility Knife



Claw Hammer



Putty Knife



#2 Phillips Screwdriver