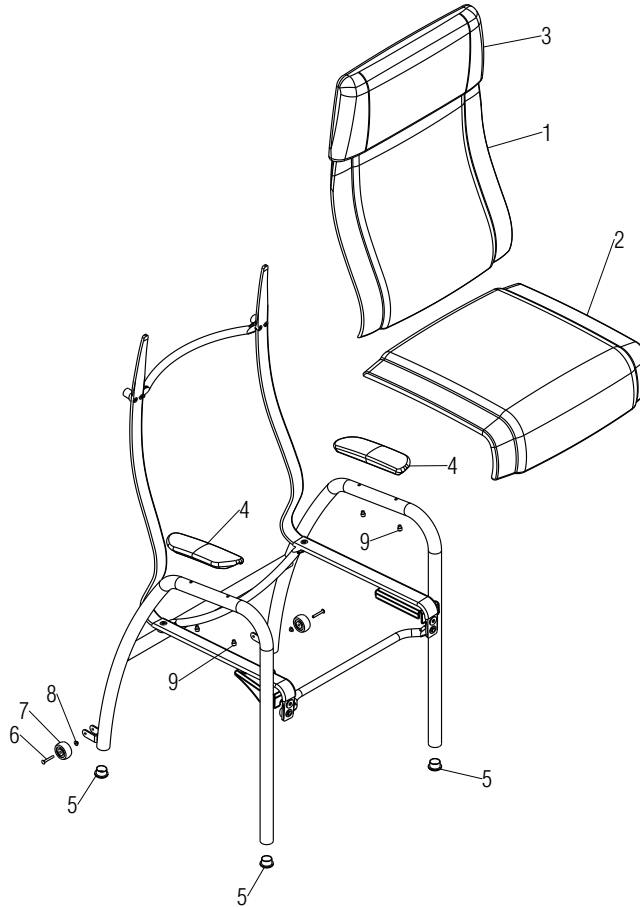


Parts Diagram

Rose™ Patient Seating
4-Leg Chair

January 2019



.XX = Select Color

If chair frame is damaged, please contact KI.

Note: Parts are not for classic Rose chair.

Item	Part Number	Item Description	Req Qty
1	RRBS/RB2L (conf.)	Back Cover, Removable	1
	RRBS/RB2M (conf.)	Back Cover, Removable	1
	RRBS/RB2H (conf.)	Back Cover, Removable	1
2	RRBS/RSC2 (conf.)	Seat Cover, Removable	1
3	RSM2 (conf.)	Head Rest (used on high back only) (shown)	1
4	08.9050	Cap, Arm	2
5	46.6513	Glide, 4-Leg Chair	4
6	8.4290	Rivet, .19" x 1.32" T375 Semitube	2
7	5175	Wheel, 1 5/8" x 3/4" Rear Tilt	2
8	8.4363	Push Nut, 3/16	2
9	12.9410.P	Screw, 1/4-20 x 1/4" LG SHCS w/Patch	4

