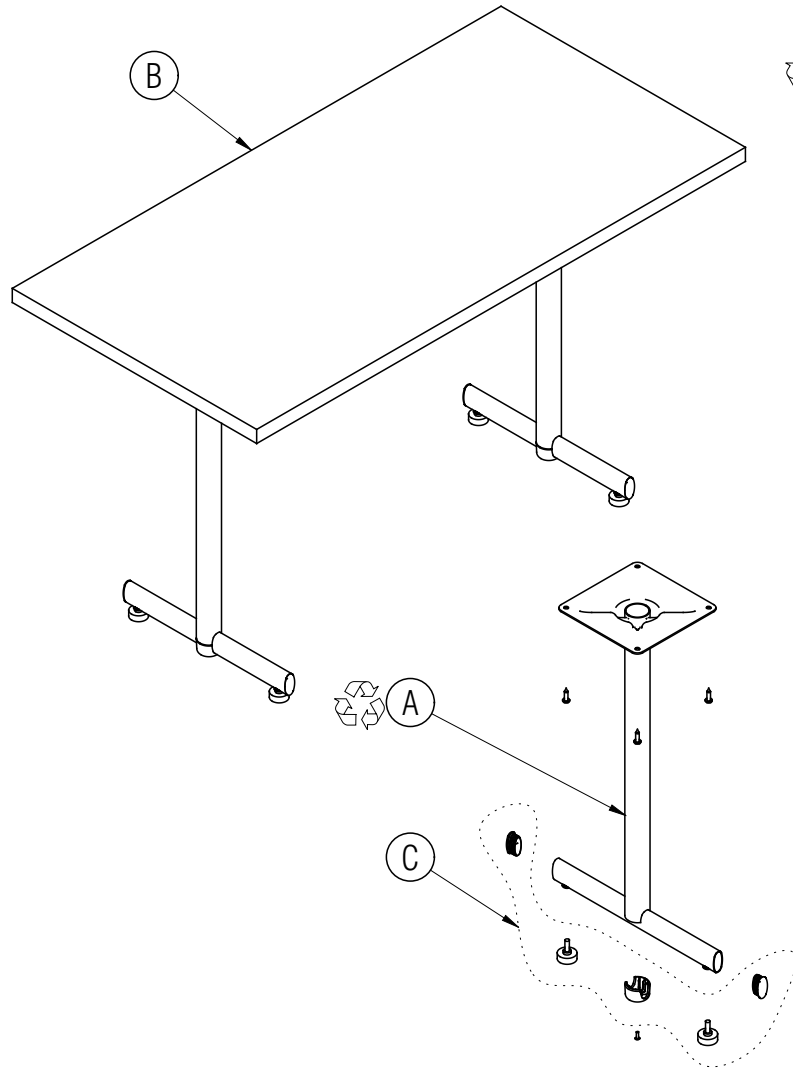


Disassembly Instructions

Portico and Venue P Base Tables

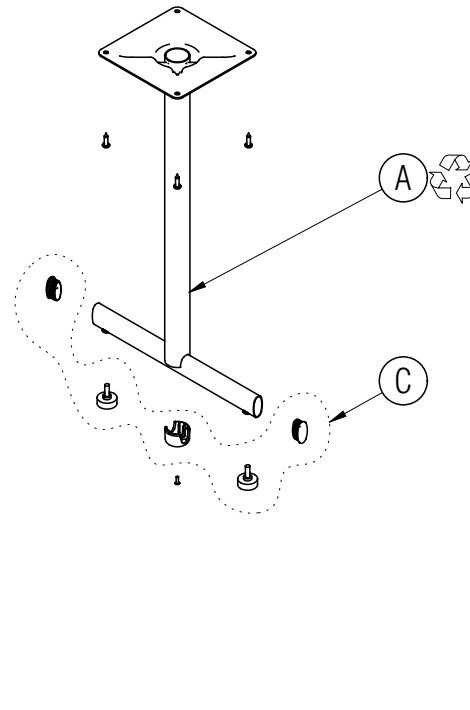
Material Type: A . Steel B. Wood / Particle Board C. Plastic



All fasteners not explicitly tagged or shown are Material Type A: Steel

Procedure:

1. Remove the screws holding the legs to the table top and remove the top.
2. Remove the plastic glides from each leg.
3. Pry the caps off of both ends of the foot tubes.
4. Pry the rivet and trim cap off the base of the column.



General Notes:

1. Disassembly time: 5-10 minutes
2. This procedure assumes basic familiarity with hand tools and furniture terminology: no specialized training is required
3. All materials removed and disassembled shall be sorted and segregated with like materials and disposed of or recycled according to recycling availability or waste acceptance
4. For items to be recycled, refer to KI's End of Life Recycling Matrix and KI's End of Life Recovery Options Matrix, available at www.ki.com

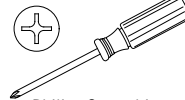
Required Tools



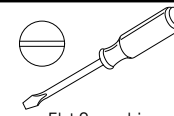
Gloves



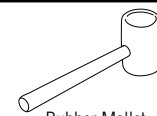
Safety Glasses



Phillips Screwdriver



Flat Screwdriver



Rubber Mallet