

# Assembly Instructions ■

## “Quick Release” Modesty Panel

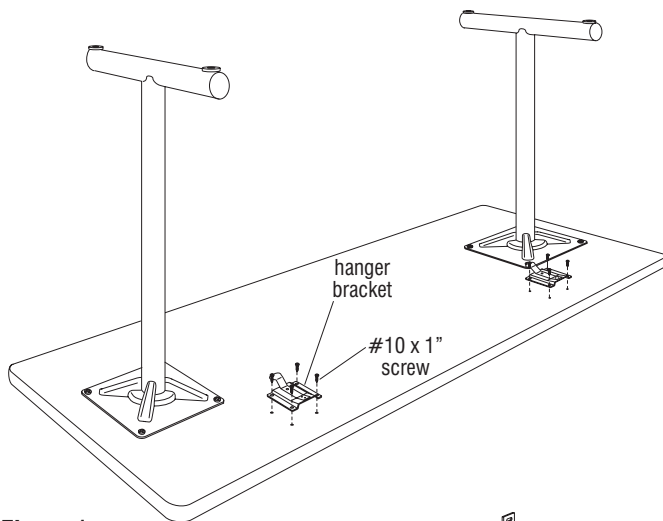
July 2013

### Tools required

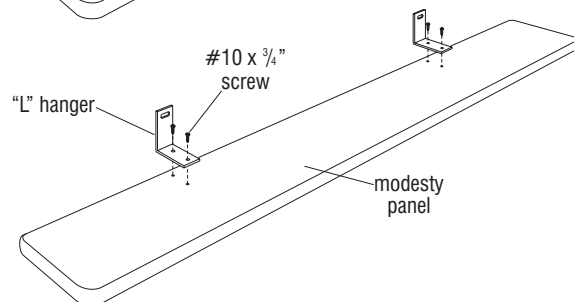
- #2 Phillips screwdriver

**Note:** All screws necessary are included. No drilling required. All screw holes have been pre-drilled.

1. Place table top upside-down on a smooth clean surface so table top is not damaged. Fasten hanger brackets to the table using four #10 x 1" screws, not to exceed 40 in/lbs of torque (Figure 1).
2. Fasten “L” hangers to the modesty panel using two #10 x 3/4" screws, not to exceed 25 in/lbs of torque. (Figure 2).

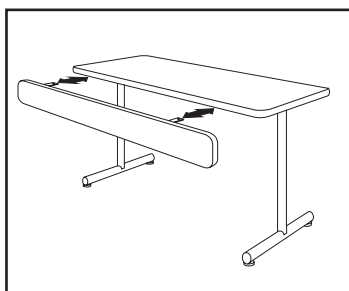


**Figure 1**

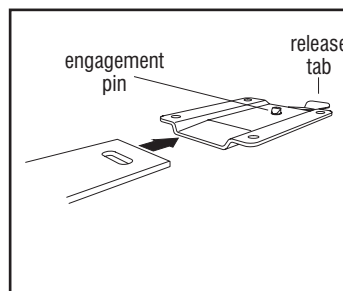


**Figure 2**

### Screws shown actual size



**Detail A**



**Detail B**

### OPERATING INSTRUCTIONS

#### Attaching Modesty Panel

1. Slide modesty panel “L” hangers into the hanger brackets. When mechanism engages, you will hear a “click” (Detail A).

#### Removing Modesty Panel

1. Stand in front of the modesty panel and reach underneath the panel. Pull down on the hanger bracket release tab while simultaneously pulling the modesty panel towards you. This releases the engagement pin from the “L” hanger (Detail B).
2. Repeat step 1 on other bracket.
3. Pull modesty panel towards you to remove.



Assemble units as described herein only. To do otherwise may result in instability. All screws, nuts and bolts must be tightened securely and must be checked periodically after assembly. Failure to assemble properly, or to secure parts may result in assembly failure and personal injury.