

Assembly Instructions

Folding Modesty Panel Table

July 2013

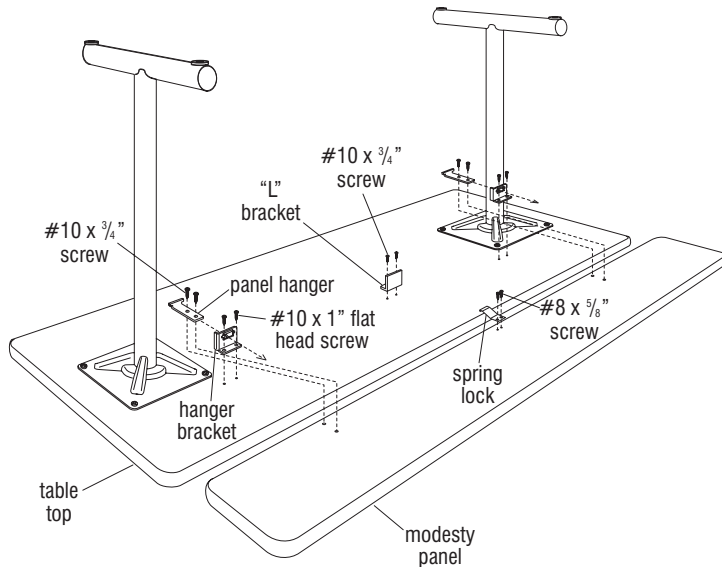
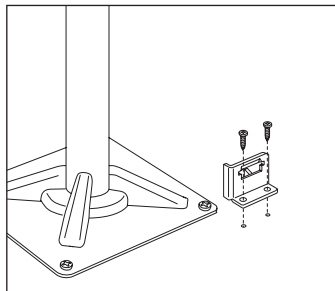


Figure 1



Detail A

Screws shown actual size

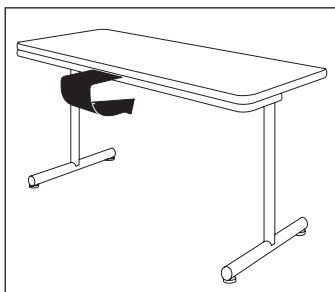
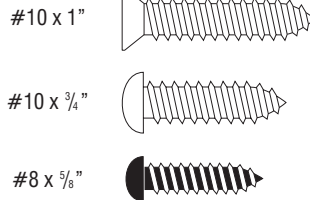


Figure 2

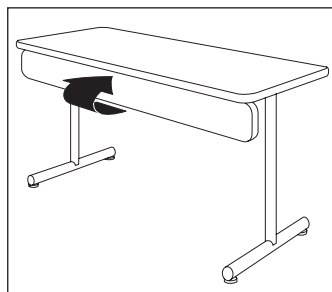


Figure 3



Assemble units as described herein only. To do otherwise may result in instability. All screws, nuts and bolts must be tightened securely and must be checked periodically after assembly. Failure to assemble properly, or to secure parts may result in assembly failure and personal injury.

CAUTION

Tools Required

- #2 Phillips screwdriver

Note: All screws necessary are included. No drilling required. All screw holes have been pre-drilled.

1. Place table top upside-down on a smooth, clean surface so table top is not damaged. Fasten hanger brackets to table using two #10 x 1" flat head screws, not to exceed 40 in/lbs of torque (Figure 1).

Note: Please see Detail A for proper hanger bracket position.

2. Slide panel hangers through rectangular slot of hanger bracket indicated by arrows (Figure 1).
3. Fasten modesty panel to panel hangers using #10 x 3/4" screws, not to exceed 25 in/lbs of torque (Figure 1).
4. To assemble spring lock, push modesty panel into the folded position. Fasten lock to center of modesty panel using #8 x 5/8" screws, not to exceed 20 in/lbs of torque (Figure 1).

5. Fasten the "L" bracket to the table as shown using two #10 x 3/4" screws, not to exceed 25 in/lbs of torque (Figure 1).

OPERATING INSTRUCTIONS

Opening Modesty Panel

1. Place table in full upright and open position (Figure 2).
2. Using both hands reach underneath the table and gently pull down the spring lock to release and pull out the modesty panel (Figure 2).
3. The modesty panel will pivot down and freely hang in place (Figure 2).

Storing Modesty Panel

1. Table must be in full upright and open position (Figure 3).
2. Standing in front of modesty panel, reach underneath the table and flip the modesty panel towards you (Figure 3).
3. With modesty in flipped-up flat position, push panel back underneath the table until lock catches (Figure 3).