

Assembly Instructions ■

TT-Base Folding Table

Trek™, Datalink® Multipurpose, Barron® & Portico™

July 2013

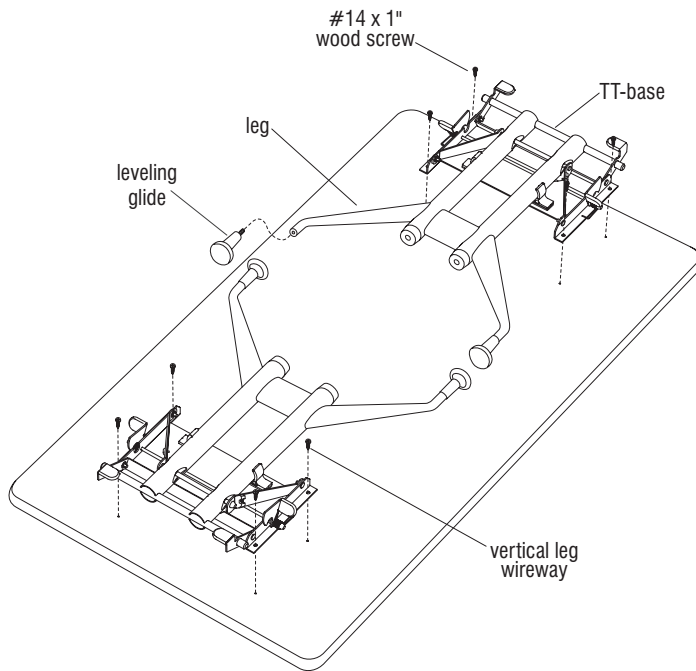


Figure 1

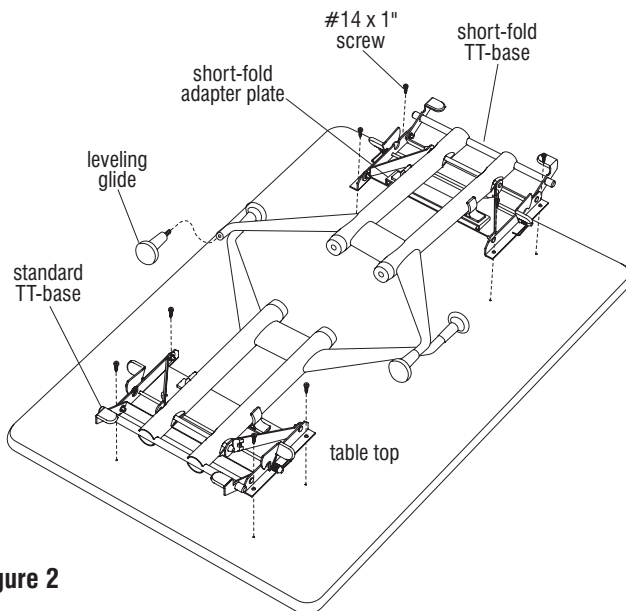


Figure 2



Assemble units as described herein only. To do otherwise may result in instability. All screws, nuts and bolts must be tightened securely and must be checked periodically after assembly. Failure to assemble properly, or to secure parts may result in assembly failure and personal injury.

Tools Required

- Phillips Screwdriver

Hardware Included

- (8) #14 x 1" Wood Screws
- (4) Glides

Note: The instructions below illustrate the assembly of both the folding TT-base (Figure 1) and the short-fold TT-base (Figure 2). The item that is required to make the base a short-fold base is the short-fold adapter plate (Figure 2). It is only on one base of each pair. The adapter plate allows the folded leg to be clamped shut while overlapping the opposite leg.

1. Place the table top upside down onto a soft protective surface (Figure 1).
2. Locate the four pre-drilled holes at each end of the table. Align the holes of each base with the pre-drilled holes in the table. The folded legs of the bases must be positioned toward the center of the table (Figure 1). If installation requires a short-fold base (Figure 2), the short-fold leg must be positioned over the standard leg.
3. Secure the bases to the table with four #14 x 1" wood screws provided, not to exceed 60 in/lbs of torque (Figures 1 & 2).
4. Screw two leveling glides into the threads at the bottom of each leg (Figures 1 & 2).

■ TT-Base Folding Table - Trek™, Datalink® Multipurpose, Barron® & Portico™

Assembly Instructions



Assemble units as described herein only. To do otherwise may result in instability. All screws, nuts and bolts must be tightened securely and must be checked periodically after assembly. Failure to assemble properly, or to secure parts may result in assembly failure and personal injury.

1. **To unfold:** place table top upside down onto a soft protective surface (Figure 3).
2. Unsnap table leg from leg holders. Lift leg to a 90° angle making sure the base locks securely into place (Figure 3).
3. Repeat step 2 for other leg.
4. **To fold:** place table top upside down onto a soft protective surface (Figure 3).
5. While depressing either one or both of the green release levers on either side of the leg base, push the leg down toward the center of the table. Snap the leg into the plastic leg holders (Figure 3).
6. Repeat step 5 for other leg.
7. If all four glides do not come in contact with the floor, adjust appropriate glide(s) in or out to stabilize table.
8. While in the folded position the spacing bumpers provide protection for the top surface of an adjacent table when tables are leaned against each other (Figure 3).

Caution: The spacing bumpers should not be used to stack tables flat on the floor. Tables are unstable when stacked in this manner and could result in personal injury and/or product damage.

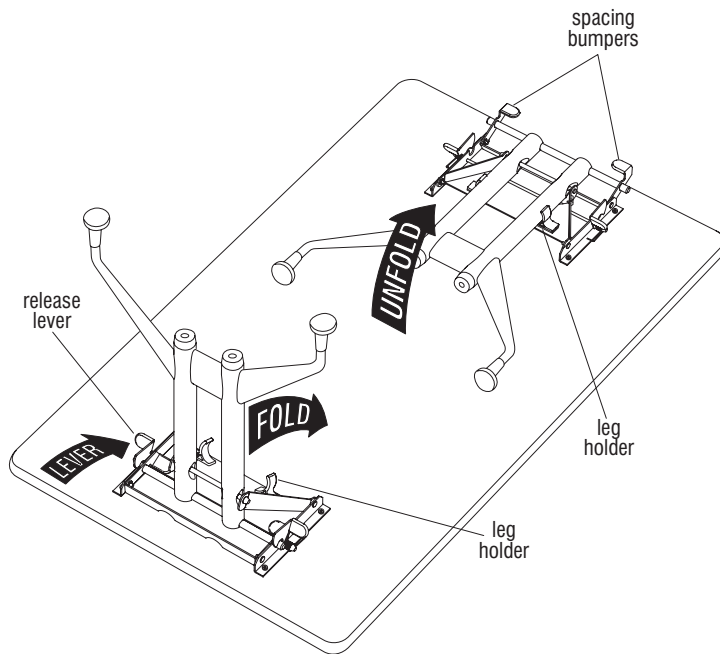


Figure 3