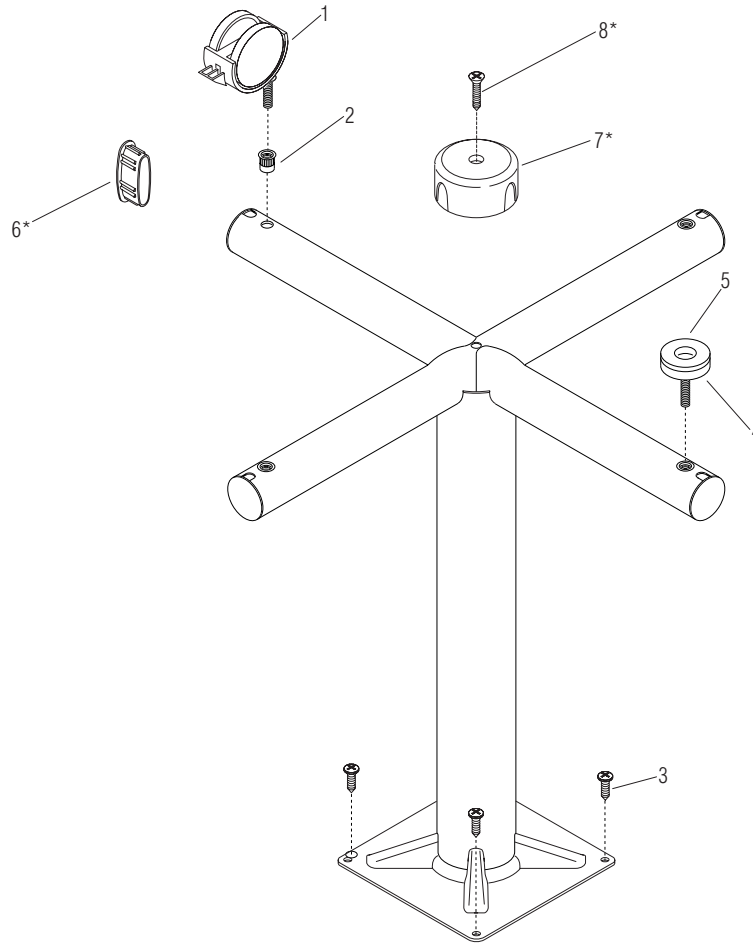


Parts Diagram ■

Fixed X-Base

(3" column)

June 2018



.XX & .XXX = Select Color

Note: Casters cannot be added to legs that originally were manufactured for glides.

Item	Part Number	Item Description
1	09.0156.X	Caster, with Brake
2	12.0486.X	Steel Rivnut
3	12.0275.X	Screw, #14 x 1"
4	10.0131.X	Glide, Manual Adjust (standard)
5	10.0119.X	Glide, Self Leveling (optional)

For Portico Bases Only

6*	53.5500.XXX	End Cap, Elliptical
7*	53.6702.XXX	Bottom Cap, 1 3/4"
8*	12.1800.X	Screw, #8 x 5/8", (for bottom cap)