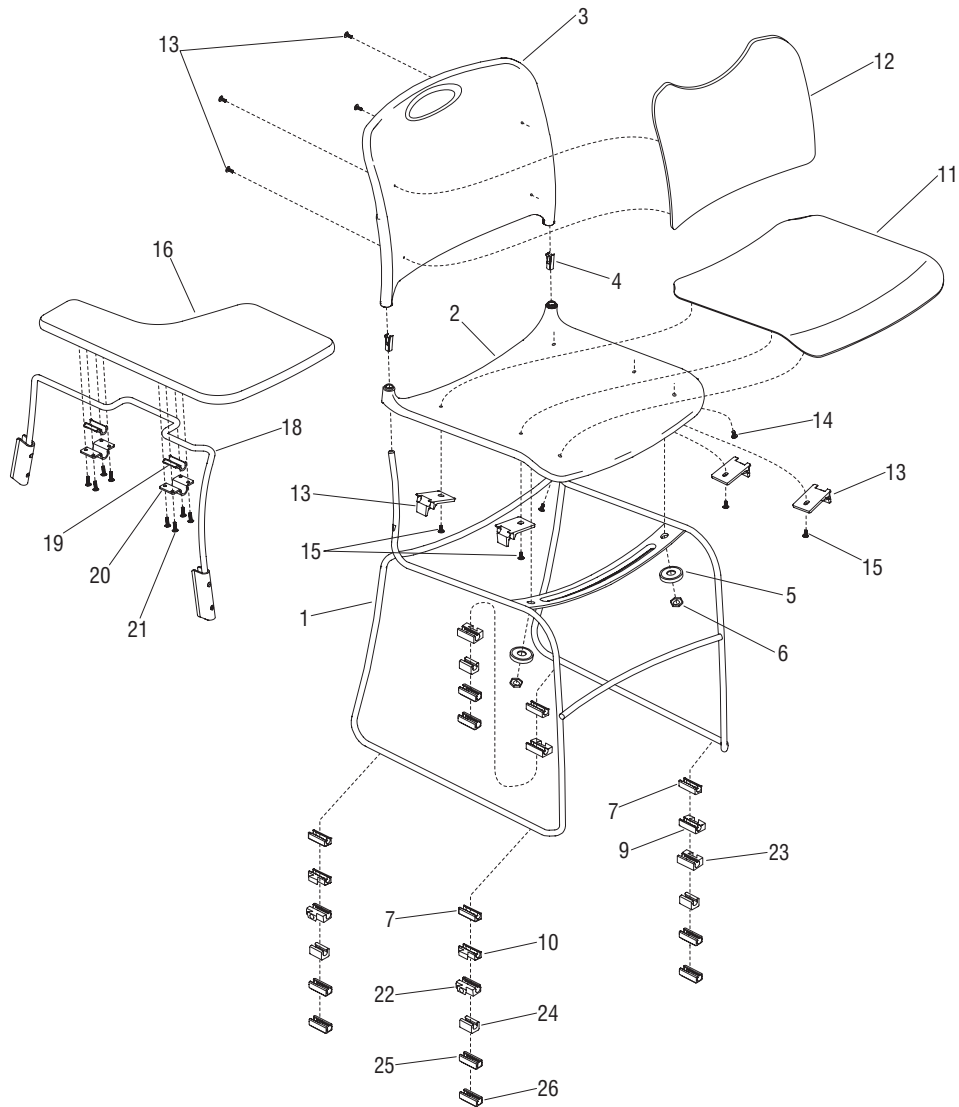


Parts Diagram ■

Maestro® Chair

MS, MSUB, MSUS & MSUSB

August 2019



Maestro® Chair - MS, MSUB, MSUS & MSUSB

Parts Diagram

.X = KD

.CC = Select Color

Special = Contact KI

Note: Frames with no slots, flats or holes, were ordered without glides. Item 7 glides can be used as a field fix, but they must be glued into position.

Note: Frames with flats pressed into them require glides listed in Item 7 for replacement.

Note: Frames with holes drilled can use glides listed in Items 9 & 10.

Note: Frames with slots pressed in can use glides listed in Items 22, 23, 24, 25 & 26.

Note: Frames with slots pressed and holes drilled can use glides listed in Items 9, 10, 22, 23, 24, 25 & 26.

Item	Part Number	Description	Qty	Item	Part Number	Description	Qty
1	85.4832.CH	Chair Frame, Chrome		11	MSRSC	Seat Cushion, Upholstered Replacement	1
	85.4832.N.CH	Chair Frame, Chrome, Notched for Glides		12	MSRBC	Back Cushion, Upholstered Replacement	1
	85.4832.B.CH	Chair Frame, Chrome, Drilled		13	46.1006	Stacking Bumpers	4
	85.4833.XX	Chair Frame, Painted		14	12.0110	Screw, #10-24 x 1/2" Phillips Machine	6
	85.4833.N.XX	Chair Frame, Painted, Notched for Glides	1	15	12.1020	Screw, #10-24 x 5/8" Phillips Machine	4
2	85.4845.XX	Seat	1	16	T4PR.Lam	Tablet Arm, Right-hand	1
3	85.4840.XX	Back	1	17	PL.Lam	Tablet Arm, Left-hand (not shown)	1
4	12.0004	Clip, Back Attachment	2	18	85.7510.CH	Weldment, Tablet Arm, Right-hand	1
5	46.5112.X	Bumper, Stacking	2		85.7520.CH	Weldment, Tablet Arm, Left-hand (not shown)	1
6	12.0712.X	Pal Nut, 1/2-13	2	19	53.1126	Pivot Bushing	2
7	06.0437.X	Glide, Stainless Steel (used before May 2010) (notched-style)	4	20	53.0015.BL	Tablet Pivot	2
	53.1123.X	Glide Poly-carbonate (used before May 2010) (notched-style)	4	21	12.0041	Screw, #10 x 5/8" PTH Tapping	8
	10.0110.X	Glide, PVC Non-skid (used before May 2010) (notched-style)	4	22	06.0490.F.X	Ganger Glide, Polycarbonate, Female (used after March 2012) (slot style)	2
8	12.0581	Screw, 8-32 x 1/2" (for 10.0110.X)	4	23	06.0490.M.X	Ganger Glide, Polycarbonate, Male (used after March 2012) (slot style)	2
9	06.0439.F.X	Ganger Glide, Female, Stainless Steel (used before March 2012) (drilled-style)	2		06.0495.M.X	Ganger Glide, Stainless Steel, Male (used after March 2012) (slot style)	2
	06.0429.F.X	Ganger Glide, Female, Poly-carbonate (used before March 2012) (drilled-style)	2	24	46.3281.X	Glide, VPC Non-Skid (used after April 2010) (slot style)	4
10	06.0439.M.X	Ganger Glide, Male, Stainless Steel (used before March 2012) (drilled-style)	2	25	46.3282.X	Glide, Polycarbonate (used after April 2010) (slot style)	4
	06.0429.M.X	Ganger Glide, Male, Poly-carbonate (used before March 2012) (drilled-style)	2	26	46.3283.X	Glide, Stainless Steel (used after April 2010) (slot style)	4

