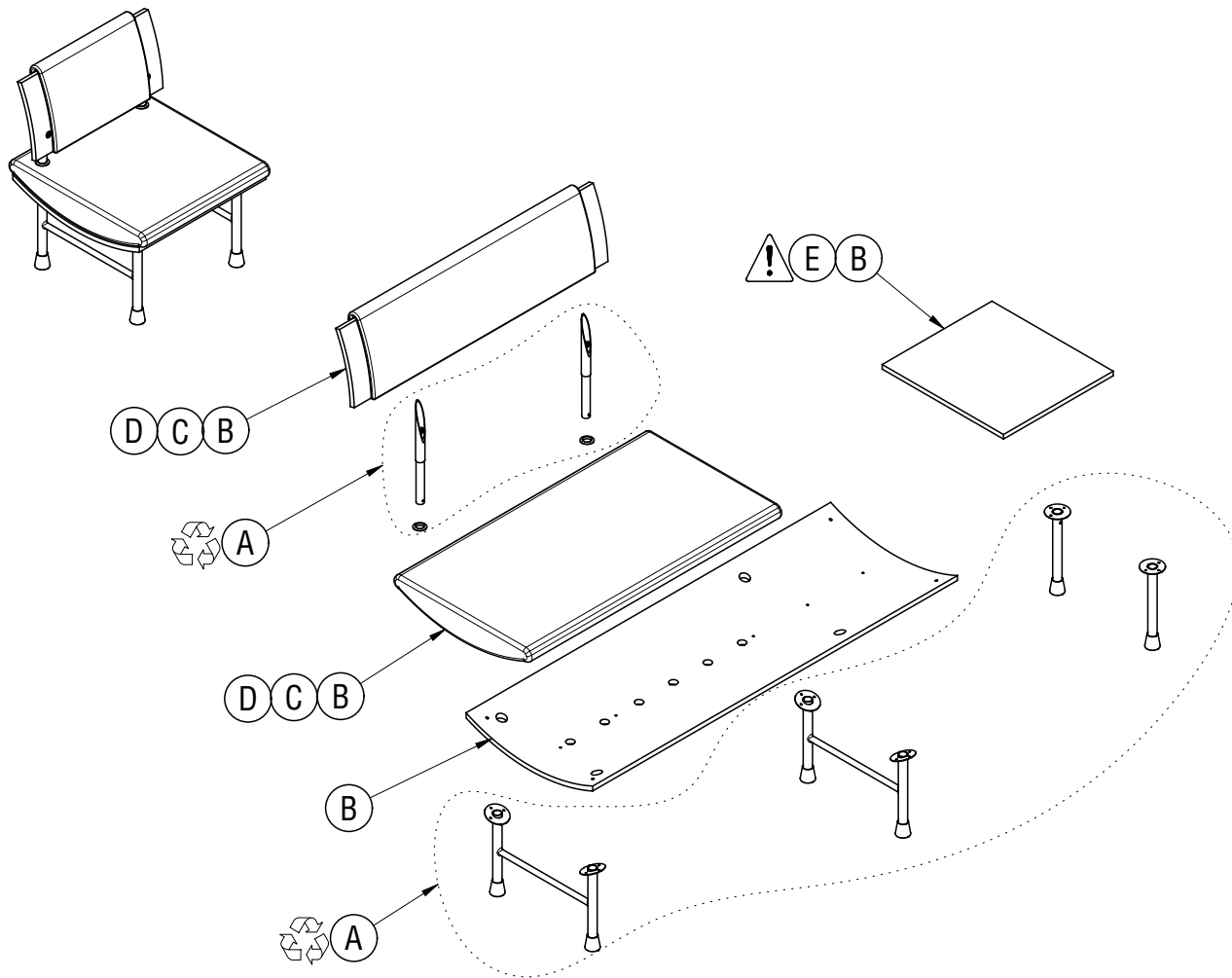


Disassembly Instructions



Kurv Bench, Kurv Chair, Kurv Table

Material Type: A. Steel B. Wood C. Foam D. Fabric E. Glass



Procedure:

1. Remove the screws holding the legs to the bench base and remove the legs.
2. If the table option is present, remove any fasteners holding the table to the seat frame.

CAUTION: HANDLE GLASS TOP WITH CARE TO AVOID BREAKAGE AND INJURY.

3. Remove the backrest if present. Cut away the fabric and foam from the backrest to expose the fasteners holding the backrest posts.
4. Remove the foam seat from the curved seat bottom. Remove the foam and fabric from the seat foam board.
5. Remove any remaining steel brackets and loose hardware.

General Notes:

1. Disassembly time: 20-30 minutes
2. This procedure assumes basic familiarity with hand tools and furniture terminology: no specialized training is required
3. All materials removed and disassembled shall be sorted and segregated with like materials and disposed of or recycled according to recycling availability or waste acceptance
4. For items to be recycled, refer to KI's End of Life Recycling Matrix and KI's End of Life Recovery Options Matrix, available at www.ki.com

All fasteners not explicitly tagged or shown are Material Type A: Steel

Required Tools				
Gloves	Safety Glasses	Utility Knife	Philips Screwdriver	Allen Wrench