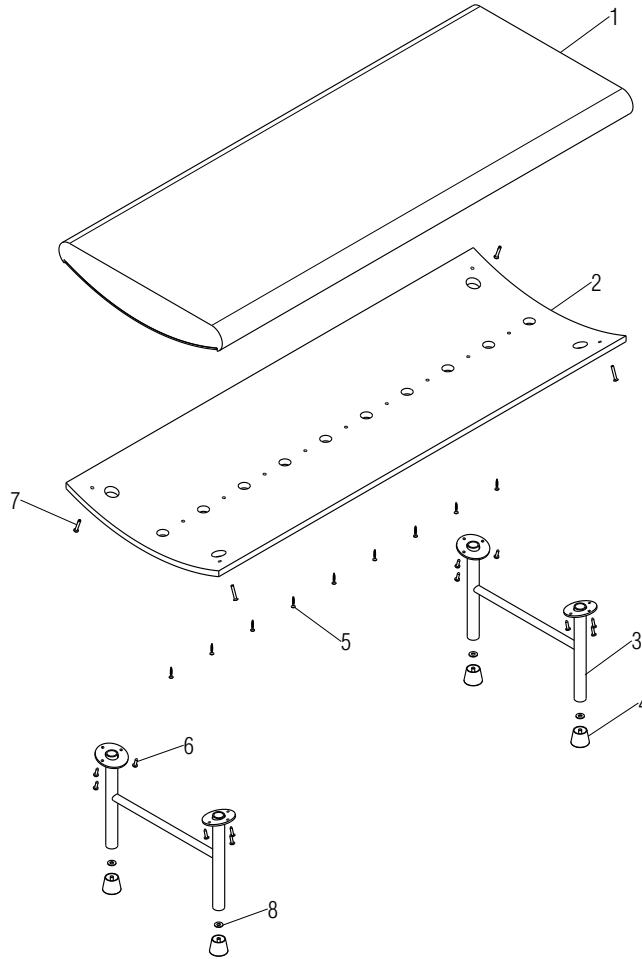


Parts Diagram

Kurv™ Seating

Bench

December 2015



.XX = Select Color

"By Request" = Contact Customer Service with model and fabric/finish information

Item 5 screw quantity varies depending on Seat Board size

Item	Part Number	Item Description	Qty	Item	Part Number	Item Description	Qty
1	By Request	Foam, 24" x 24" Bench Seat	1		0.15124.XX	Assembly, 24" x 78" Seat Board	1
	By Request	Foam, 24" x 36" Bench Seat	1		By Request	Assembly, 29" x 24" Seat Board	1
	By Request	Foam, 24" x 48" Bench Seat	1		By Request	Assembly, 29" x 36" Seat Board	1
	By Request	Foam, 24" x 60" Bench Seat	1		15123.XX	Assembly, 29" x 48" Seat Board	1
	By Request	Foam, 24" x 78" Bench Seat	1		15119.XX	Assembly, 29" x 60" Seat Board	1
	By Request	Foam, 29" x 24" Bench Seat	1		15111.XX	Assembly, 29" x 78" Seat Board	1
	By Request	Foam, 29" x 36" Bench Seat	1	3	17631.XX	Weldment, 24" Bench Leg	1
	By Request	Foam, 29" x 48" Bench Seat	1		17286.XX	Weldment, 29" Bench Leg	1
	By Request	Foam, 29" x 60" Bench Seat	1	4	17283	Glide, Bench	1
	By Request	Foam, 29" x 78" Bench Seat	1	5	16358	Screw, #8 x 1 1/4" Wood	3-12
2	By Request	Assembly, 24" x 24" Seat Board	1	6	16352	Screw, #12 x 1" PPH Aggressive T/S ZN	12
	By Request	Assembly, 24" x 36" Seat Board	1	7	16616	Screw, 1/4-20 x 1 1/2" PFH Machine	4
	0.15122.XX	Assembly, 24" x 48" Seat Board	1	8	16710	Washer, 5/16" Flat	4
	0.15123.XX	Assembly, 24" x 60" Seat Board	1				

