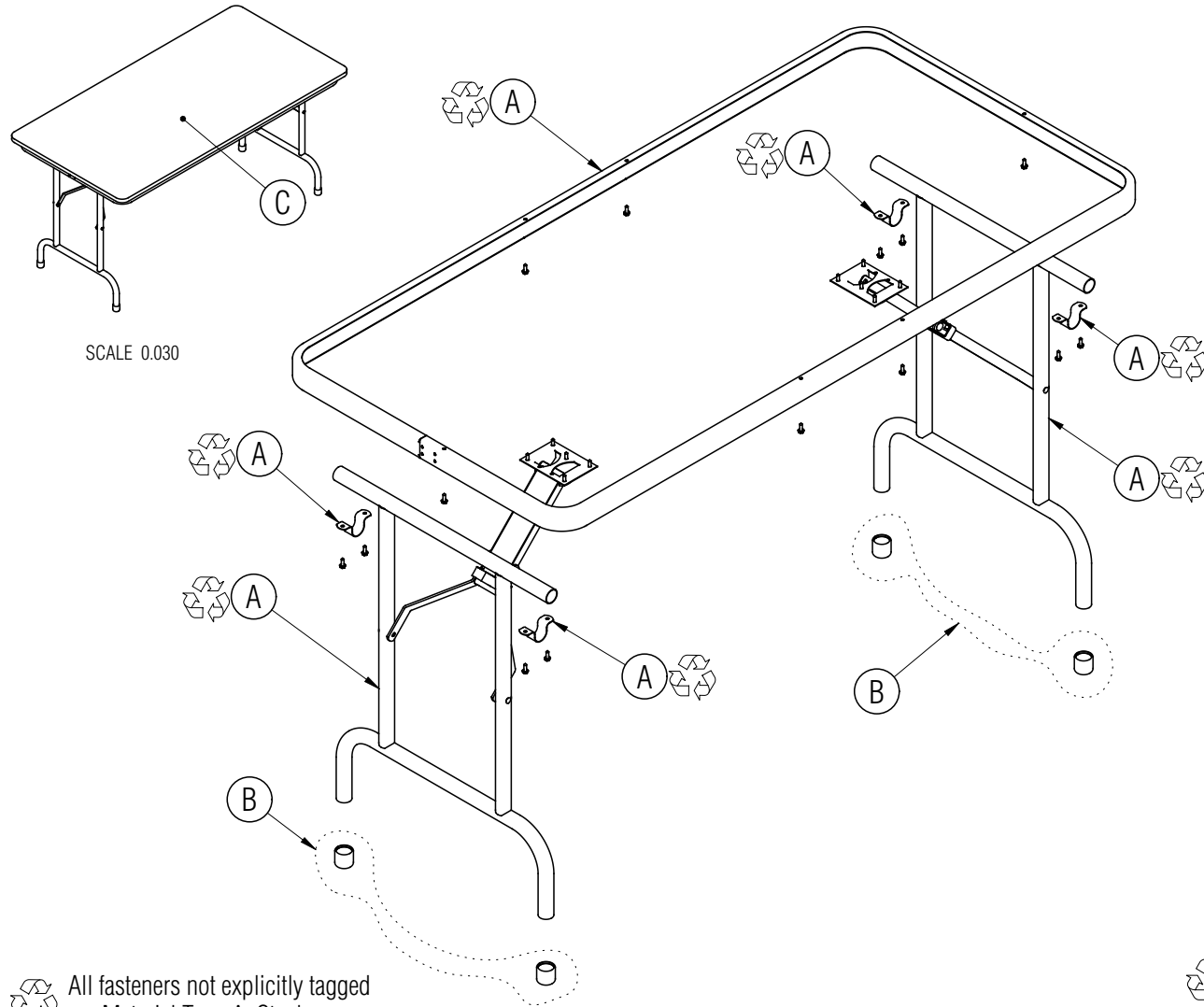


Disassembly Instructions



Heritage Folding Table, Premier Folding Table, Emissary Folding Table

Material Type: A . Steel B. Rubber C. Wood / Particle Board



Procedure:

1. Remove the screws holding each leg assembly to the table top and remove the legs.
2. Remove the screws holding the apron to the table top.
3. Pry off the glides from each leg assembly.

General Notes:

1. Disassembly time: 5-10 minutes
2. This procedure assumes basic familiarity with hand tools and furniture terminology: no specialized training is required
3. All materials removed and disassembled shall be sorted and segregated with like materials and disposed of or recycled according to recycling availability or waste acceptance
4. For items to be recycled, refer to KI's End of Life Recycling Matrix and KI's End of Life Recovery Options Matrix, available at www.ki.com

All fasteners not explicitly tagged are Material Type A: Steel

Required Tools	Gloves	Safety Glasses	Hex Socket Wrench	Flat Screwdriver
----------------	--------	----------------	-------------------	------------------