

# Technical Specifications ■

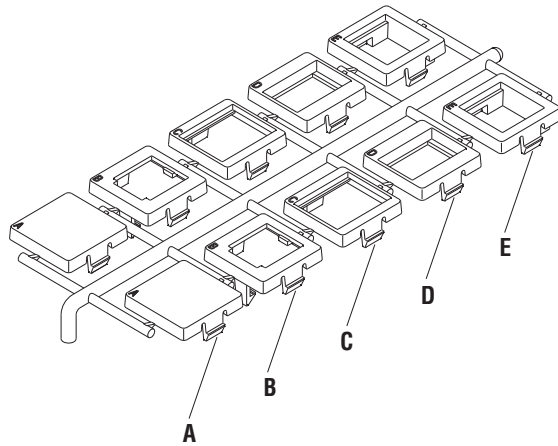
## Data Adapter Bracket Tree

February 2011

### Data Adapter Bracket Trees - Specifications

Select the appropriate data plate for the phone/data jack to be used (see chart) and carefully remove from injection-molded tree. Jacks are sold by separate companies and not supplied with the module. The chart below is a guide listing some of the more common jacks, and not intended to be all-inclusive.

Data Plate Letter	Opening Size	Phone/Data Jack
A	None	Blank
B	.635 x .730	Panduit "CJ"
C	.670 x .929	Ortronics "TrakJack"
D	.585 x .780	Panduit "KJ" and "KJA", Amp CAT-3 and CAT-5, Hubbel "HD5", Ortronics "OR-6295003-T568B" and "OR-6295004-T568A", Krone, Leviton "41108-RE5"
E	.680 x .710	AT & T



(Part # for Data Tree is #46.0151. Data Tree is automatically included with PowerUp modules, Sequence Power & Data modules and Concerto Seating with Power and Data.)

