

# Disassembly Instructions

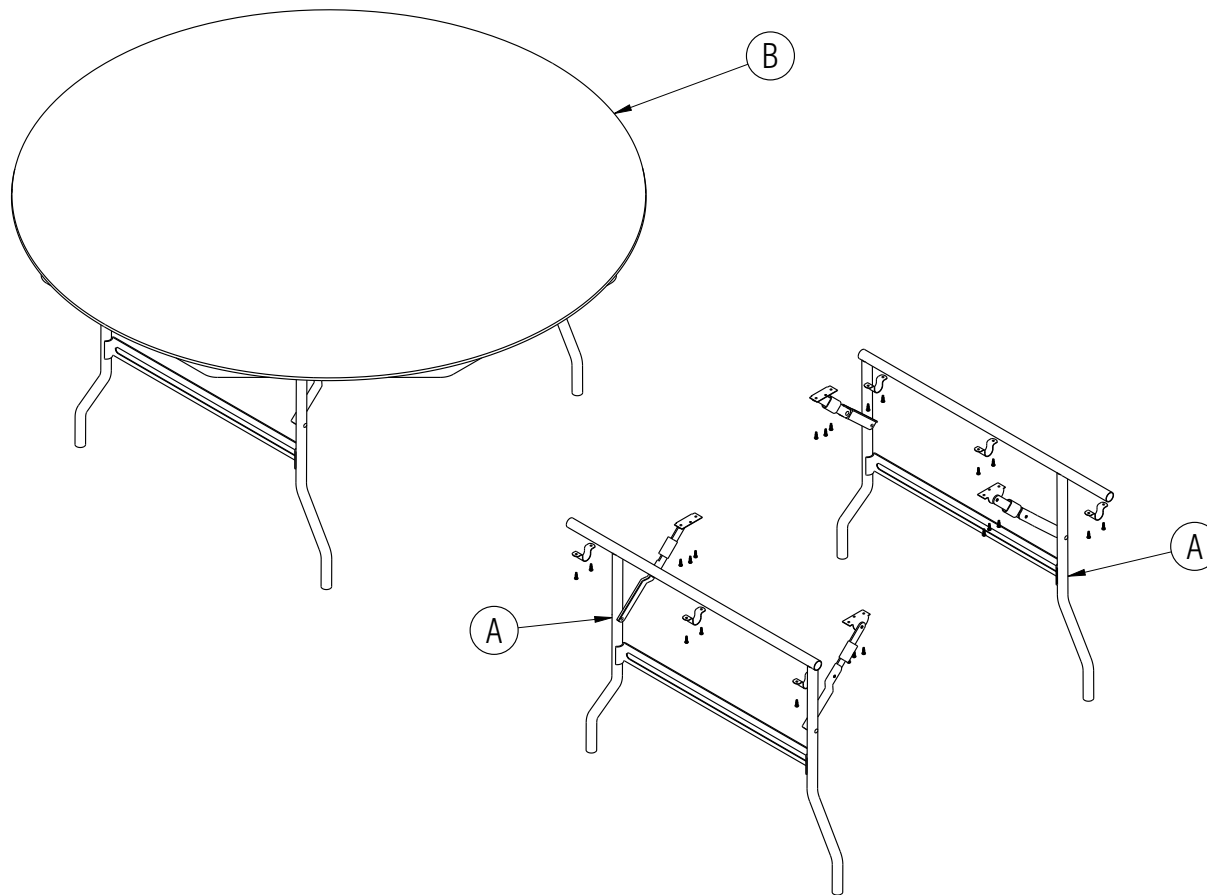
Duralite® / Valuelite® Folding Table

Material Type: A . Steel B. Plastic




Procedure:

1. Remove the screws holding the legs to the table top and remove the top.
2. Recycle the steel frame.



General Notes:

1. Disassembly time: 10-15 minutes
2. This procedure assumes basic familiarity with hand tools and furniture terminology: no specialized training is required
3. All materials removed and disassembled shall be sorted and segregated with like materials and disposed of or recycled according to recycling availability or waste acceptance
4. For items to be recycled, refer to KI's End of Life Recycling Matrix and KI's End of Life Recovery Options Matrix, available at [www.ki.com](http://www.ki.com)

 All fasteners not explicitly tagged are Material Type A: Steel

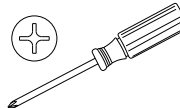
Required Tools



Gloves



Safety Glasses



Phillips Screwdriver