

Assembly Instructions

CrossRoads® Shelving

Single Face Metal with Back Stop

November 2009

Tools Required:

- #2 Phillips screwdriver
- 1/2" socket
- Socket wrench

Hardware Included:

- #8 x 5/8" screws
- #8 x 1 1/4" screws
- 5/16" x 2" hex head bolt
- 5/16" x 4 1/2" hex head bolt
- 1/4" flat washer
- 5/16" lock washer
- 5/16" flat washer
- 5/16" hex nut
- Metal pegs

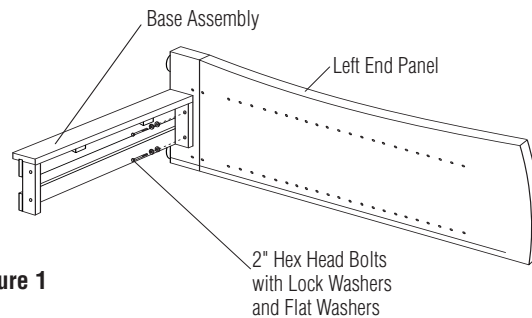


Figure 1

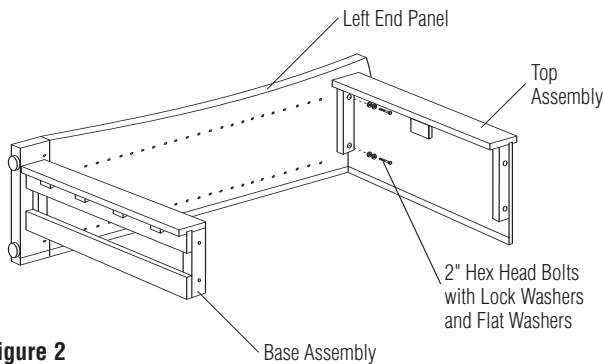


Figure 2

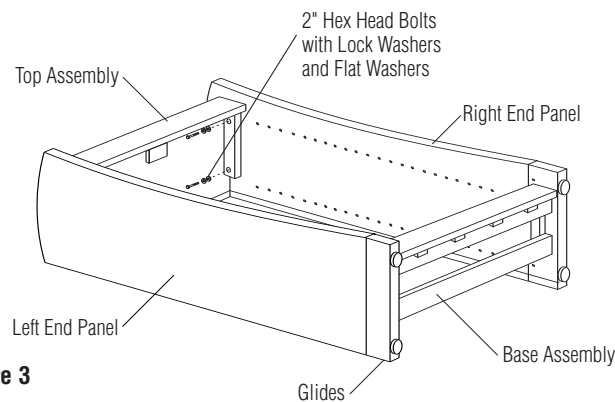


Figure 3

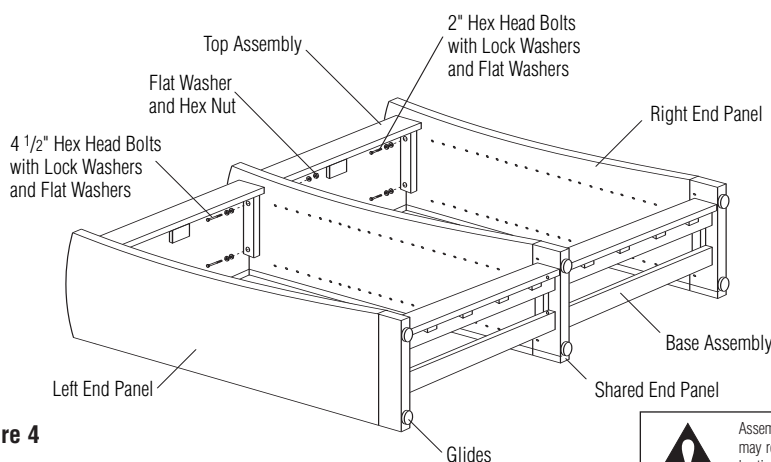
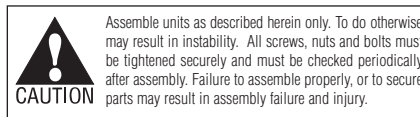


Figure 4



1. Set back edge of left end panel on flat surface (holes to inside – if it's a curved end panel make sure the curved edge is up).
2. Align the side holes in the base assembly with the lower holes in the left end panel. Insert 2" hex head bolts with lock washers and flat washers into the base and end panel. Tighten (Figure 1).
3. Align the side holes in the top assembly with the upper holes in the left end panel (Figure 2). Make sure the faceplate on the top assembly is to the front and that the back panel groove is to the back. Insert 2" hex head bolts with lock washers and flat washers into the top assembly and end panel. Tighten. **Note:** for shelving units 72" and higher, the top shelf assembly should be flipped so that the cleat side faces up.
4. For single starter unit (stand-alone) and final end panel for connecting units: Take the right end panel (holes to inside) and align the side with the holes in both the base and the top assembly (Figure 3). Insert 2" hex head bolts with lock washers and flat washers into the base and top assembly. Tighten.
5. For adder units (connecting) – Align the side holes in the shared panel (holes both sides) with the holes in both the base assembly and the top assembly. Insert 4 1/2" hex head bolts with lock washers, flat washers and nut into the base assembly. Do not tighten (Figure 4).
6. Align the side holes in both the base and top assembly with the side holes in the right end panel. Insert 2" hex head bolts with lock washers and flat washers into base assembly and top assembly (Figure 4).
7. Tighten all 2" and 4 1/2" hex head bolts. Insert glides into all end panels.

■ CrossRoads® Shelving - Single Face Metal with Back Stop

Assembly Instructions



Assemble units as described herein only. To do otherwise may result in instability. All screws, nuts and bolts must be tightened securely and must be checked periodically after assembly. Failure to assemble properly, or to secure parts may result in assembly failure and injury.

8. Carefully tip the shelving unit into an upright position. Note that two or more assemblers are recommended when multiple units are connected.

9. Bottom shelf. Insert (2) metal pegs into pre-drilled holes just above the base assembly. Lay bottom shelf with routed side down and align onto metal pegs (Figure 5).

10. Fixed center shelf. For 60", 72", 82" and 96" high units, measure up half way on the end panels. Within 6" of this dimension, determine desired shelf location. Rest shelf on four metal pegs. Attach fixed shelf with #8 x 5/8" screws and (2) 1/4" flat washers per screw to the end panel (Figure 5).

11. Adjustable shelves. Insert (4) metal pegs into pre-drilled holes at desired adjustable shelf heights. Set each shelf onto the metal pegs with notched side down. Repeat for each adjustable shelf (Figure 5).

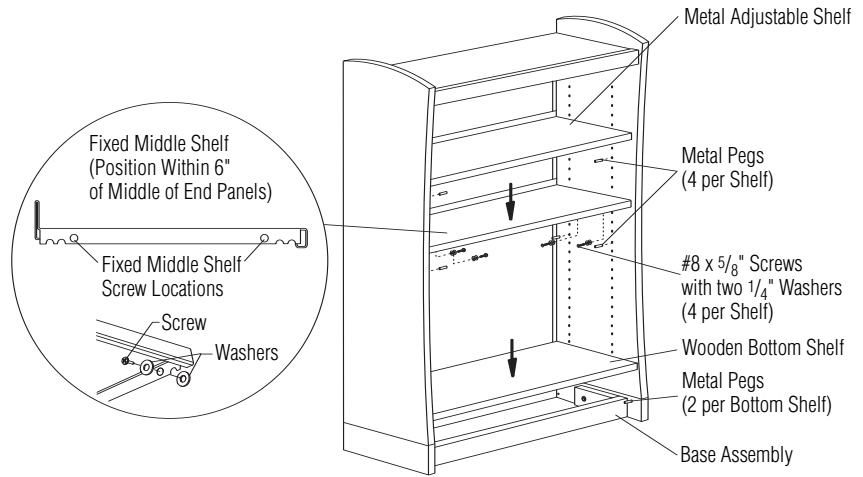


Figure 5

