

Assembly Instructions

CrossRoads® Shelving

Double Face

December 2009

Tools Required:

- #2 Phillips screwdriver
- 1/2" socket
- Socket wrench

Hardware Included:

- #8 x 5/8" screws
- #8 x 1 1/4" screws
- 5/16" x 2" hex head bolt
- 5/16" x 4 1/2" hex head bolt
- 5/16" lock washer
- 5/16" flat washer
- 5/16" hex nut
- Metal pegs

Figure 1

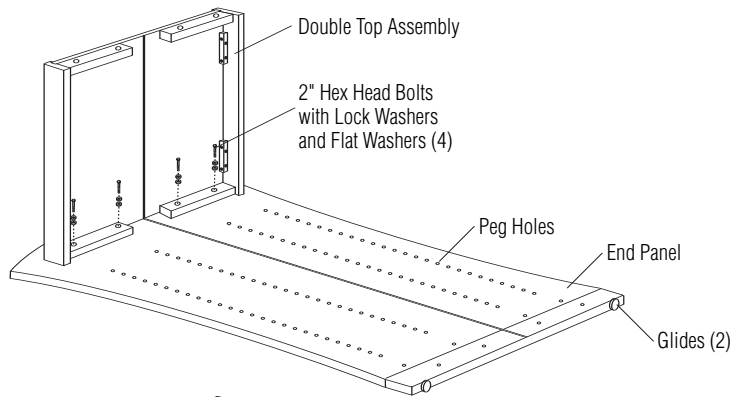


Figure 2

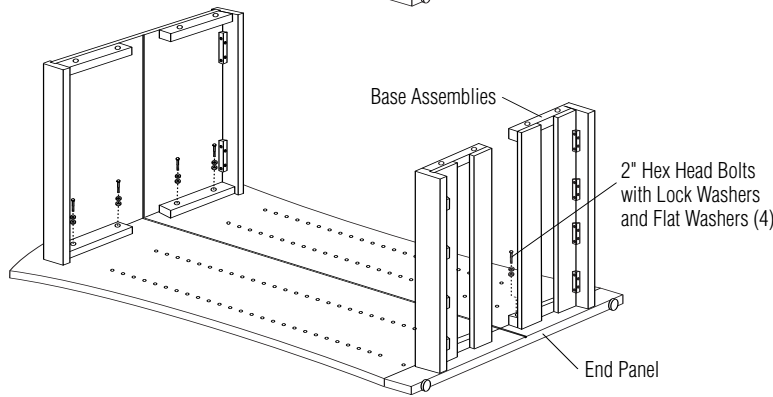


Figure 3

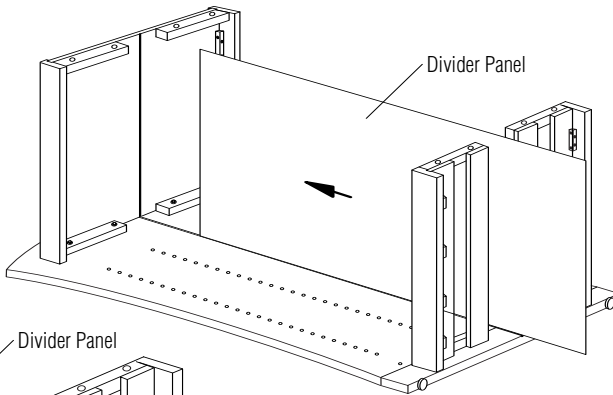
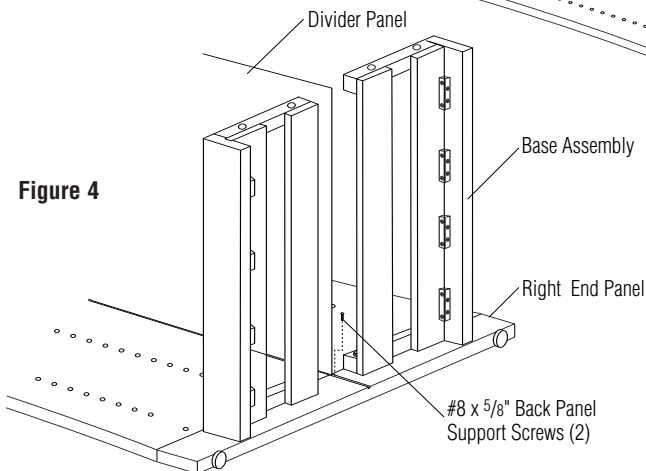


Figure 4



1. Set one end panel on flat surface with the peg holes up.
2. Position the double top assembly, routed side down on end panel. Align the pre-drilled holes with the inserts. Fasten with 5/16" x 2" hex head bolts and washers (Figure 1). **Note:** for shelving units 72" and higher, the top shelf assembly should be flipped so that the cleat side faces up.
3. Position the base assemblies by aligning the holes so that the bottoms of the base assembly facings are flush with the bottom of the end panel. Fasten with 2" hex head bolts and washers (Figure 2).
4. For optional divider panel, slide the starter divider panel into the center groove of the end panel and top assembly. Insert #8 x 5/8" screws into the groove directly below the divider panel to keep the panel raised off the floor (Figures 3 & 4).



Assemble units as described herein only. To do otherwise may result in instability. All screws, nuts and bolts must be tightened securely and must be checked periodically after assembly. Failure to assemble properly, or to secure parts may result in assembly failure and injury.



CrossRoads® Shelving - Double Face

Assembly Instructions



Assemble units as described herein only. To do otherwise may result in instability. All screws, nuts and bolts must be tightened securely and must be checked periodically after assembly. Failure to assemble properly, or to secure parts may result in assembly failure and injury.

- Position adder panel (has holes on both sides) by aligning the upper holes with the holes in the previously installed top assembly (Figure 5). Check that the divider panel is still positioned in the center groove. Position the top assembly for the adder unit by aligning the holes with the holes in the adder panel.
- Insert four 4 1/2" hex head bolts with a lock washer and a flat washer from the inside of the top assembly through the adder panel and previously installed top assembly (Figure 6). Tighten.
- Position the base assemblies for the adder unit by aligning the holes with the holes in the adder panel. Insert four 4 1/2" hex head bolts with a lock washer and a flat washer from the inside of the base assemblies through the adder panel and previously installed base assemblies (Figure 6). Tighten.
- Insert #8 x 5/8" screws into the groove directly below the divider panel to keep the panel raised off the floor (Figure 3).
- Repeat steps 5, 6, 7 and 8 until all units are assembled, finish with the right end panel (see step 5). Note that two or more assemblers are recommended when multiple units are connected.
- Raise assembled unit to upright position.

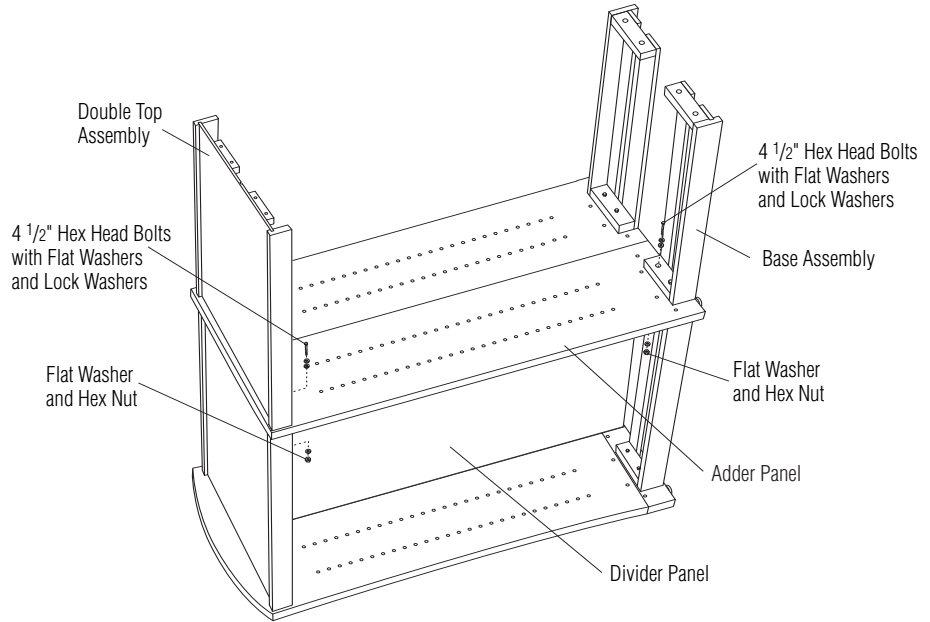


Figure 5

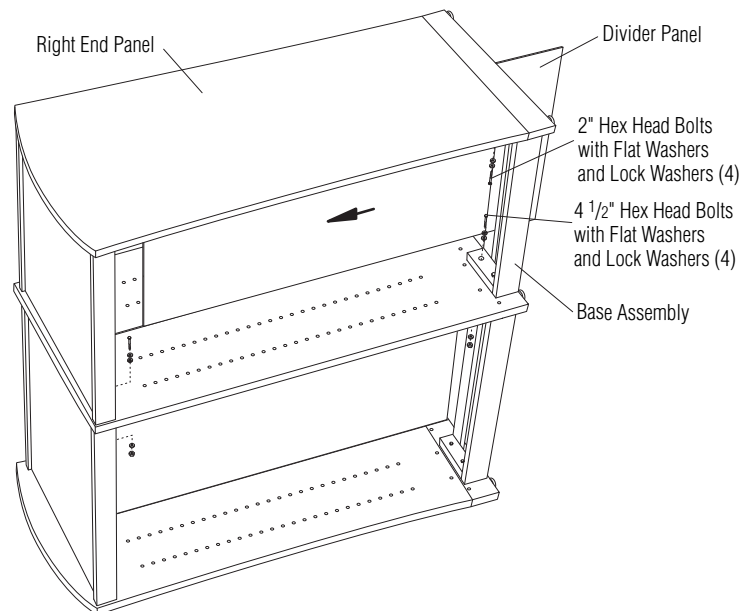


Figure 6



Assemble units as described herein only. To do otherwise may result in instability. All screws, nuts and bolts must be tightened securely and must be checked periodically after assembly. Failure to assemble properly, or to secure parts may result in assembly failure and injury.

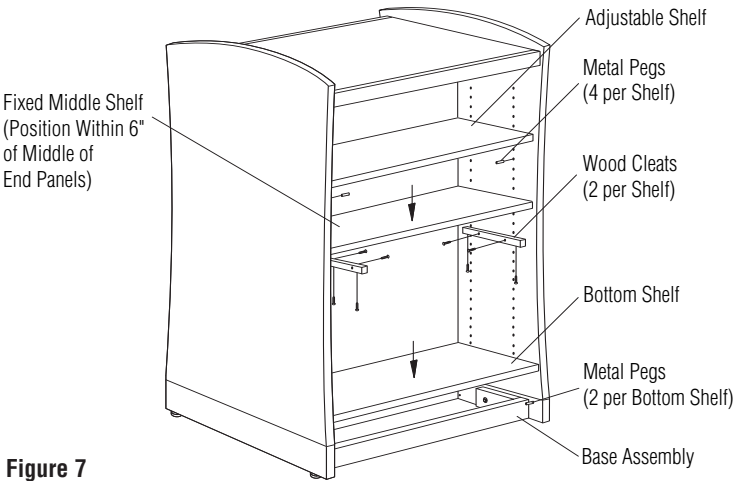


Figure 7

11. Fixed center shelf. For 60", 72", 82" and 96" high units, measure up half way on the end panels. Within 6" of this dimension, determine desired shelf location. Attach wood cleats to the bottom side of the fixed shelf using #8 x 1/4" screws. One cleat is needed for each side of shelf. Rest shelf on four metal pegs. Attach fixed shelf with cleats to the end panels using #8 x 1/4" screws (Figure 7).
12. Bottom shelf. Insert (4) metal pegs into pre-drilled holes just above the base assembly. Lay bottom shelf with routed side down routed grooves rest on the pegs and align onto metal pegs. Repeat for each unit. (Figure 7).
13. Adjustable shelves. Insert (4) metal pegs into pre-drilled holes at desired adjustable shelf heights. Set each shelf onto the metal pegs with routed side down routed grooves rest on the pegs. Repeat for each adjustable shelf (Figure 7).

**You make the rules.
We make the rest.®**

Of course KI solutions work better for you. They're made for you. No one pays more attention to customer needs than we do. We don't design our furniture to win awards (even though it does). We don't rely on one-size-fits-all solutions (even though they would make our life easier). We find out what the market needs. And, we make it. The same applies to our service, distribution...everything we do. KI solutions work, because we're working for you.

KI
1330 Bellevue Street
P. O. Box 8100
Green Bay, Wisconsin 54308-8100
1-800-424-2432
www.ki.com

KI and Working for You
are registered trademarks
of Krueger International, Inc.

© 2008 KI
All Rights Reserved.
Litho in USA.
Code KI-61562BR4/TMI/GT/1209

