

Assembly Instructions

CrossRoads® Newspaper Display Unit

December 2009

Tools Required:

- #2 Phillips screwdriver
- 1/2" socket
- Socket wrench

Hardware Included:

- #8 x 5/8" screws
- #8 x 1 1/4" screws
- #10 x 1 1/2" pan head screws
- 5/16" x 2" hex head bolt
- 5/16" x 4 1/2" hex head bolt
- 5/16" lock washer
- 5/16" flat washer
- 5/16" hex nut
- Metal pegs

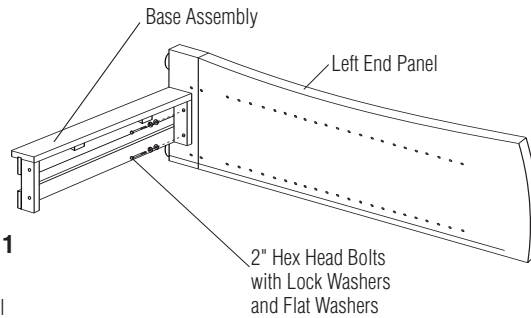


Figure 1

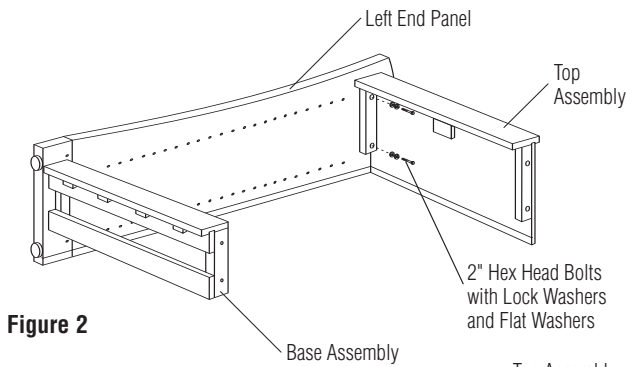


Figure 2

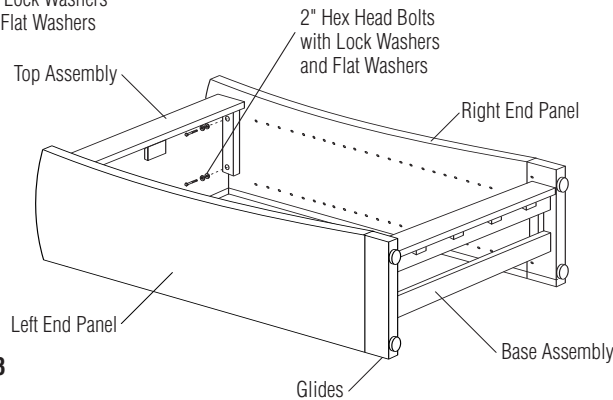


Figure 3

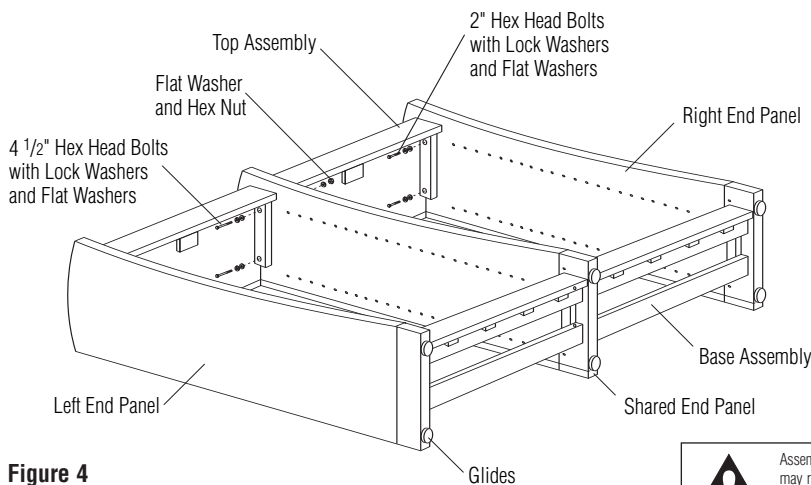


Figure 4

1. Set back edge of left end panel on flat surface (holes to inside – if it's a curved end panel make sure the curved edge is up).
2. Align the side holes in the base assembly with the lower holes in the left end panel. Insert 2" hex head bolts with lock washers and flat washers into the base and end panel (Figure 1).
3. Align the side holes in the top assembly with the upper holes in the left end panel (Figure 2). Make sure the faceplate on the top assembly is to the front and that the back panel groove is to the back. Insert 2" hex head bolts with lock washers and flat washers into the top assembly and end panel. Tighten.
4. For single starter unit (stand-alone) and final end panel for connecting units: Take the right end panel (holes to inside) and align the side with the holes in both the base and the top assembly (Figure 3). Insert 2" hex head bolts with lock washers and flat washers into the base and top assembly. Tighten.
5. For adder units (connecting) – Align the side holes in the shared panel (holes both sides) with the holes in both the base assembly and the top assembly. Insert 4 1/2" hex head bolts with lock washers, flat washers and nut into the base assembly. Do not tighten (Figure 4).
6. Align the side holes in both the base and top assembly with the side holes in the right end panel. Insert 2" hex head bolts with lock washers and flat washers into base assembly and top assembly (Figure 4).
7. Tighten all 2" and 4 1/2" hex head bolts.



Assemble units as described herein only. To do otherwise may result in instability. All screws, nuts and bolts must be tightened securely and must be checked periodically after assembly. Failure to assemble properly, or to secure parts may result in assembly failure and injury.



CrossRoads® Newspaper Display Unit

Assembly Instructions



Assemble units as described herein only. To do otherwise may result in instability. All screws, nuts and bolts must be tightened securely and must be checked periodically after assembly. Failure to assemble properly, or to secure parts may result in assembly failure and injury.

8. Repeat steps 5, 6 and 7 until all units are assembled, finished with the right end panel. **Note:** two or more assemblers are recommended when multiple units are connected.

9. For optional back panel, slide the back panel into the side grooves of the assembled units and slide into top groove. Insert #8 x 5/8" screws into the groove directly below the back panel to keep the panel raised off the floor (Figures 5 & 6).

10. Carefully tip the shelving unit into an upright position. Note that two or more assemblers are recommended when multiple units are connected.

11. Bottom shelf. Insert (4) metal pegs into pre-drilled holes just above the base assembly. Lay bottom shelf with routed side down and align onto metal pegs (Figure 7).

12. Attach wood cleats to the bottom side of the fixed shelf using #8 x 1/4" screws. One cleat is needed for each side of shelf. Rest shelf on four metal pegs. Attach fixed shelf with cleats to the end panels using #8 x 1/4" screws (Figure 7). **Note:** for 60" high units, fixed shelf is approximately 43 3/4" from top of the bottom shelf. For 82" high units, fixed shelf is approximately 50 13/16" from top of the bottom shelf.

13. Adjustable shelves for 82" high units only. Insert (4) metal pegs into pre-drilled holes at desired adjustable shelf heights. Set each shelf onto the metal pegs with routed side down (routed grooves rest on pegs) (Figure 7). **Note:** each 82" high unit has one adjustable shelf and one fixed shelf. Each 60" high unit has only the one fixed shelf.

14. Attach notched rack to panels using two #10 x 1/2" screws. **Note:** for 60" high units locate upper screw 36 3/4" above bottom shelf and 1 5/8" from back panel. For 82" high units, locate upper screw 44 3/4" above bottom shelf and 1 5/8" from back panel. Align the bottom of the rack with the front edge of the shared panel or 1" in from the center of the arc of the end panels. Attach with #10 x 1/2" screw.

15. Set up to eight newspaper display rods into notched racks.

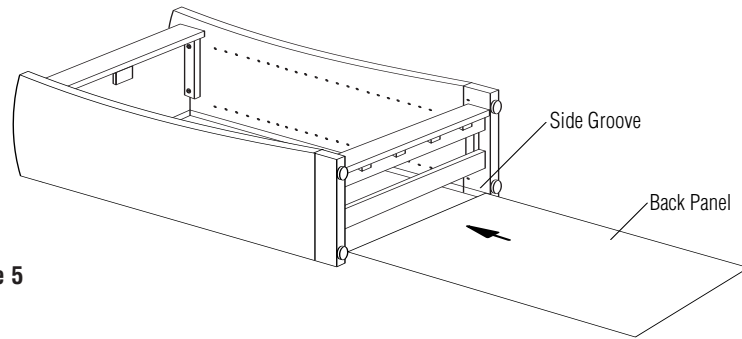


Figure 5

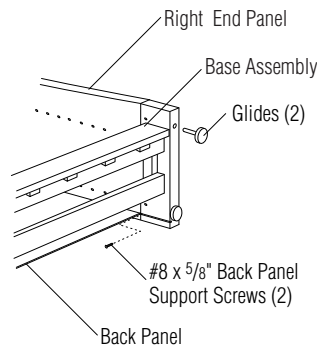


Figure 6

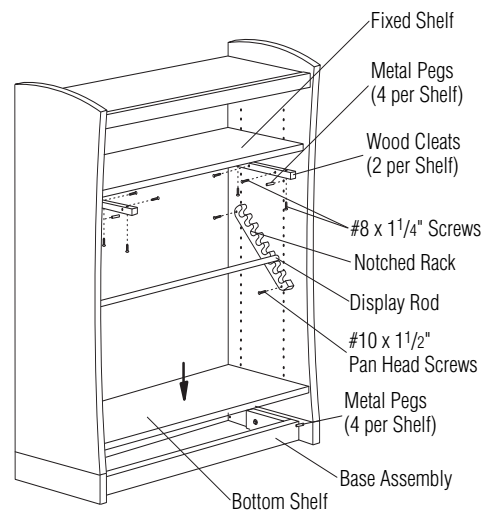


Figure 7