

**You make the rules.
We make the rest.®**

Of course KI solutions work better for you. They're made for you. No one pays more attention to customer needs than we do. We don't design our furniture to win awards (even though it does). We don't rely on one-size-fits-all solutions (even though they would make our life easier). We find out what the market needs. And, we make it. The same applies to our service, distribution...everything we do. KI solutions work, because we're working for you.

KI
1330 Bellevue Street
P. O. Box 8100
Green Bay, Wisconsin 54308-8100
1-800-424-2432
www.ki.com

KI and Working for You
are registered trademarks
of Krueger International, Inc.

© 2008 KI
All Rights Reserved.
Litho in USA.
Code KI-61558R4/TMI/GT/808



Assembly Instructions

CrossRoads® 4-Leg Table

August 2008

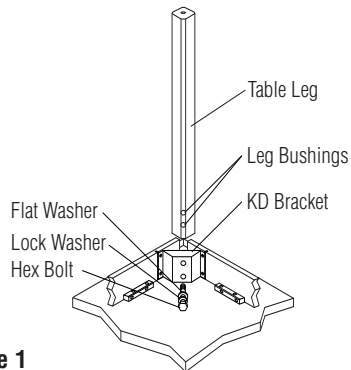


Figure 1

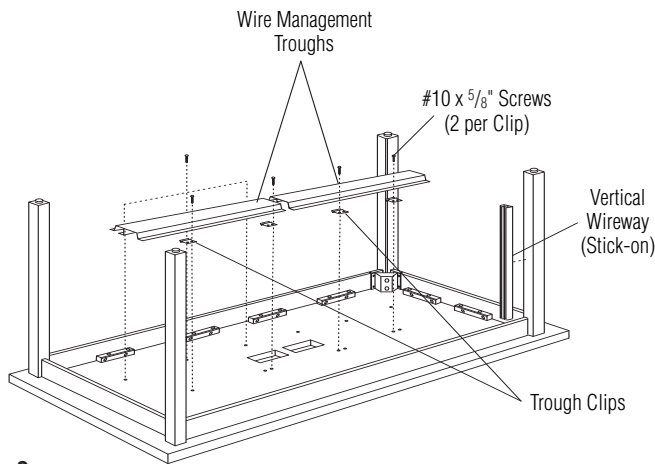


Figure 2

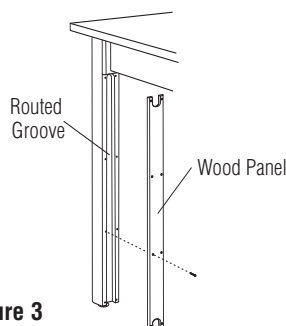


Figure 3

Wire Management Troughs and Door Extrusions Required:

1 per 60" - 72"-Long Table
2 per 84" - 96"-Long Table



Assemble units as described herein only. To do otherwise may result in instability. All screws, nuts and bolts must be tightened securely and must be checked periodically after assembly. Failure to assemble properly, or to secure parts may result in assembly failure and injury.

CrossRoads 4-Leg Table

Tools Required:

- $\frac{1}{2}$ " socket
- Socket wrench

Hardware Included:

- $\frac{5}{16}$ " x $2\frac{1}{4}$ " hex head bolt
- $\frac{5}{16}$ " lock washer
- $\frac{5}{16}$ " flat washer

1. Place table top upside down onto a soft protective surface.
2. Place lock washer then flat washer on bolts (Figure 1).
3. Place table leg into position between aprons so bushings are facing the KD bracket holes (Figure 1).
4. Insert $2\frac{1}{4}$ " hex head bolt with washers through KD bracket hole and into leg bushing and tighten.

For 4-Leg Table With Power Module or Grommet

Tools Required:

- #2 Phillips screwdriver

Hardware Included:

- #10 x $\frac{5}{8}$ " screws

1. Attach the standard plastic, self-adhesive, vertical wire manager to the inside of the leg closest to the power source (Figure 2). Place any electrical cords inside the vertical wire manager.

Note: If using the optional routed leg for wire management, place electrical cords inside the routed leg, cover with the wood plate and fasten with screws (Figure 3).

2. From the underside of the worksurface, position and secure trough to the worksurface with #10 x $\frac{5}{8}$ " screws (Figure 2). Do not over tighten screws. Position trough clips and secure with two #10 x $\frac{5}{8}$ " screws per clip.



■ CrossRoads® 4-Leg Table

Assembly Instructions



Assemble units as described herein only. To do otherwise may result in instability. All screws, nuts and bolts must be tightened securely and must be checked periodically after assembly. Failure to assemble properly, or to secure parts may result in assembly failure and injury.

3. Tip table upright. Snap the power & data module (or grommet) into place with the electrical cord feeding through grommet opening (Figure 4).
4. Route the module cord (or other electrical cords or data lines) through either end of the wire management trough. If a cord is to be routed the opposite direction that it comes out of the module/grommet, make a 6" loop with the cord to change direction.
5. Slide the flange of the wire management trough under the trough clips to secure the trough to the worksurface. Store any excess cord in the wire management trough.
6. For ganged and/or electrically interconnected tables, attach two wood ganger blocks with 1½"-long wood screws to the underside of the table top on each end (Figure 5).

Note: round 4-leg tables cannot be ganged or electrically interconnected (Figure 5).

For 4-Leg Table With Single-Circuit, Multi-Circuit, or New York City Infeed Boxes

Note: Do not make any connections to a power source until all steps below are followed and the electrical integrity of the finished system is inspected. For Single-Circuit (cord-connected) System, the combined length of the interconnected tables shall not exceed 30 feet.

Tools Required:

- #2 Phillips screwdriver
- Power drill
- ⅛" drill bit

Hardware Included:

- #10 x 5/8" screws

1. With table upside down, attach the power entry column to the inside of the leg closest to the power source (Figure 6). When a row of tables feed from the same power source, the first table is the only one that requires the power entry column.
2. Position the wood door support assembly so that its end slot is centered with the opening in the table apron (Figure 6).

Note: wire management trough is not to be used for routing extension cords. All table connections must be securely fastened before electrical connections between worksurfaces are installed.

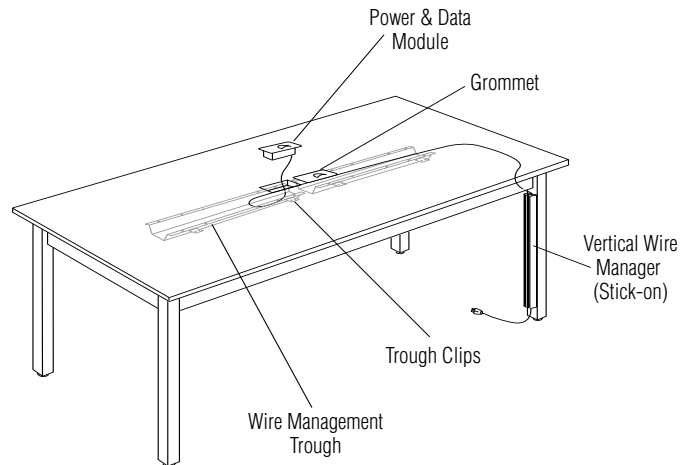


Figure 4

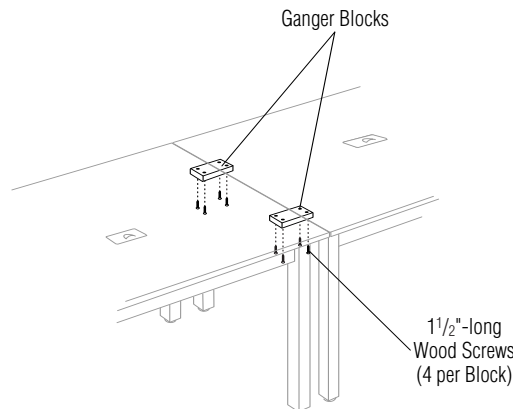


Figure 5



Assemble units as described herein only. To do otherwise may result in instability. All screws, nuts and bolts must be tightened securely and must be checked periodically after assembly. Failure to assemble properly, or to secure parts may result in assembly failure and injury.

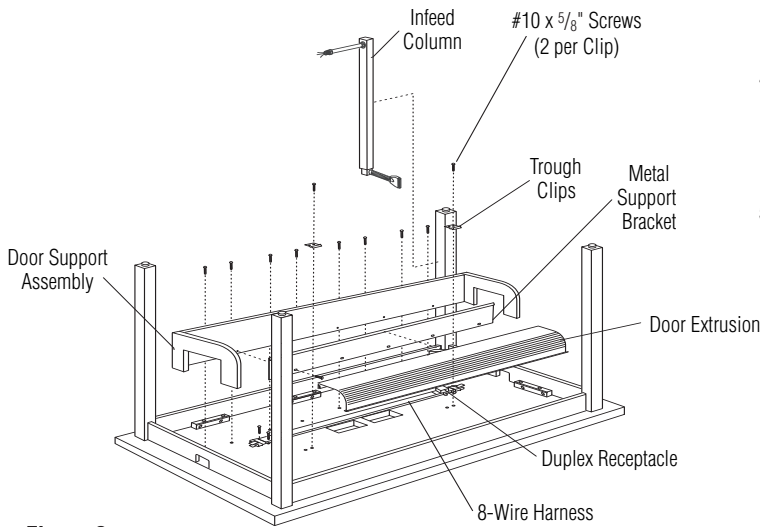


Figure 6

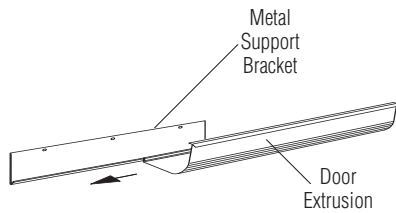


Figure 7

Wire Management Troughs and Door Extrusions Required:
1 per 60" - 72"-Long Table
2 per 84" - 96"-Long Table

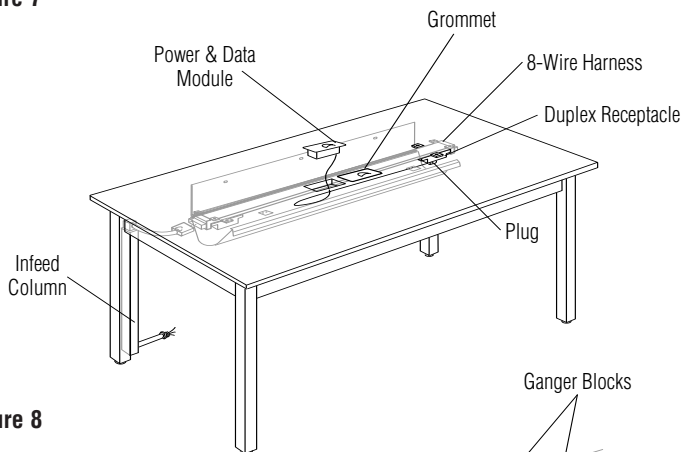


Figure 8

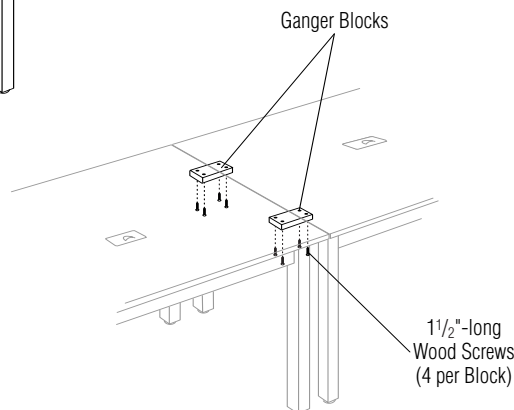


Figure 9

3. Mark holes and pre-drill. Fasten door support assembly to bottom of table top with screws.
4. Position the 8-wire harness centered on the length of the table top. Attach the 8-wire harness to bottom side of table top with screws provided in the kit.
5. Plug in optional duplex receptacle to the 8-wire harness and attach with screws.
6. Insert optional table-to-table connector into the 8-wire harness and feed it through the opening in the table apron.
7. Slide plastic door extrusion onto metal support bracket (Figure 7).
8. Align holes in bracket w/predrilled holes in wood door support and attach with #10 x 5/8" screws.
9. Mark holes and pre-drill. Attach door clips, two clips per door.
10. Tip table upright. Snap the power & data module (or grommet) into place with the electrical cord feeding through grommet opening. Plug the cord into the duplex receptacle (Figure 8).
11. For ganged and/or electrically interconnected tables, attach two wood ganger blocks with 1 1/2"-long wood screws to the underside of the table top on each end (Figure 9).

Note: Round 4-leg tables cannot be ganged or electrically interconnected (Figure 9).

New York City Guidelines

- A. All wiring must be installed by an electrician licensed in New York City.
- B. All branch circuit wiring must be #12 AWG minimum.
- C. Each branch circuit must be fused at 15 AMP maximum with no more than 10 outlets per circuit.
- D. A service entry box must be provided with a service panel. The box size must be approximately 2.25 cubic inches for each #12 AWG wire entering the box plus 2.25 cubic inches for each #12 AWG wire leaving the box.
- E. Flexible metal liquid-tight conduit (customer supplied) from the supply source to the panel may not exceed 18 inches in length and must be hardwired at both ends, per Article 4 of the New York Electrical Code.
- F. If task lights are part of the electrified panel system, the Advisory Board submission must include a sketch showing how the task lights are installed and removed without the use of tools.