

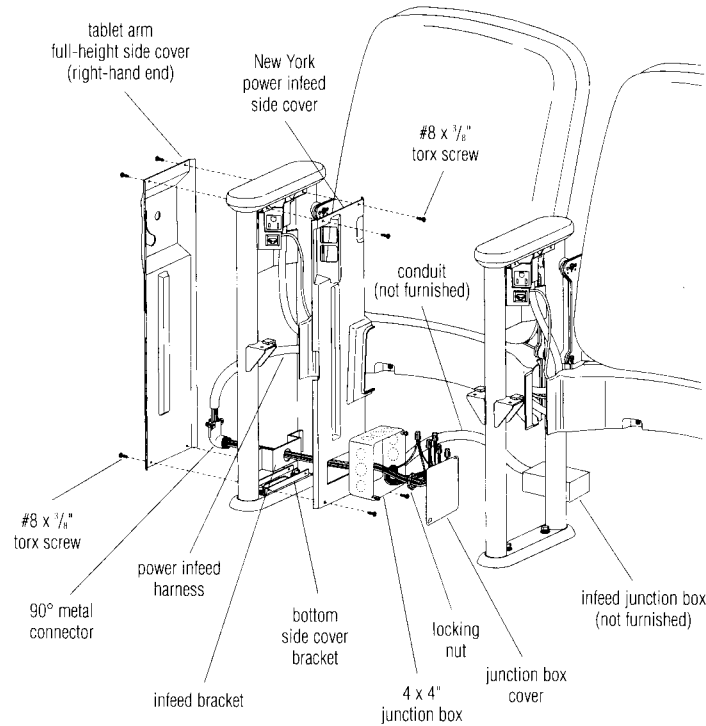
Assembly Instructions

Concerto New York Hardwire

March, 1999

KI
1330 Bellevue Street
Green Bay, Wisconsin 54302

TEL (920) 468-8100
FAX (920) 468-0280



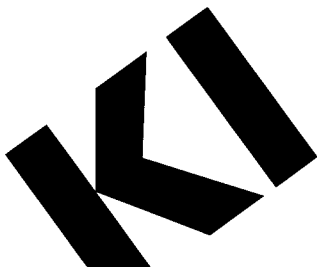
City of New York Guidelines

- A. All wiring must be installed by an electrician licensed in New York City.
- B. All branch circuit wiring must be #12 AWG minimum.
- C. Each branch circuit must be fused at 15 AMP maximum with no more than 10 outlets per circuit.
- D. A service entry box must be provided in the service panel. The box size must be approximately 2.25 cubic inches for each #12 AWG wire entering the box plus 2.25 cubic inches for each #12 AWG wire leaving the box.
- E. Flexible metal liquidtight conduit from the supply source to the panel may not exceed 18 inches in length and must be hardwired at both ends, per Article 4 of the New York Electrical Code.

New York Hardwire Assembly

1. Begin installation by making sure that a bottom side cover bracket has been installed and tightened correctly over the foot of the upright (see Concerto Seating Assembly Instructions). Orient the New York power infeed side cover into position against the upright and the bottom side cover bracket. Secure the NY side cover to the bottom bracket only with two #8 x $\frac{3}{8}$ " torx screws. The top screws may be installed only if no large tablet arm is to be attached to the upright.
2. Remove the locking nut from the threaded end of the 90° metal connector and take off the back of the same connector for ease in routing power wires. Place the threaded end of the metal connector through the hole in the infeed bracket.
3. Remove a knock-out from the back of the 4 x 4" junction box and position the box over the 90° metal connector. Secure the junction box to the connector and infeed bracket with the lock nut as illustrated. Route the 5-wires, of the power infeed harness, through the 90° metal connector and into the junction box. Pull the wires tight from the elbow side. Replace the back of the 90° metal connector and secure the flexible conduit of the power infeed harness into the connector. Trim harness wires to the desired length.
4. Wires from the power source (infeed junction box - not furnished) may be routed and connected to the 4 x 4" junction box as illustrated, through customer supplied conduit and connectors. Make standard electrical connections with wirenuts inside the junction box. Secure the junction box cover to the box with the screws provided.
5. For a power infeed upright requiring a large tablet arm, refer to "Large Tablet Arm and Side Cover Installation" steps 2, 3 and 4 in the "Concerto Seating Assembly Instructions". For a no-tablet full-height side cover, skip to step 4 in the same section. Secure the top of the power infeed side cover with two #8 x $\frac{3}{8}$ " torx screws at this time.

Note: The power infeeds are to be connected to the power source by a qualified electrician who must also check the electrical integrity of the finished system. The steps below are intended as a guideline for the installation.



Assemble units as described herein only. To do otherwise may result in instability. All screws, nuts and bolts must be checked periodically after assembly. **Failure to assemble properly, or to secure parts may result in assembly failure and injury.** Illustrations and specifications are based on current product information at the time of this printing.