

Assembly Instructions

Concerto ADA Removable Base

February, 1997

KI
1330 Bellevue Street
P.O. Box 8100
Green Bay, Wisconsin 54308-8100

TEL (414) 468-8100
FAX (414) 468-0280

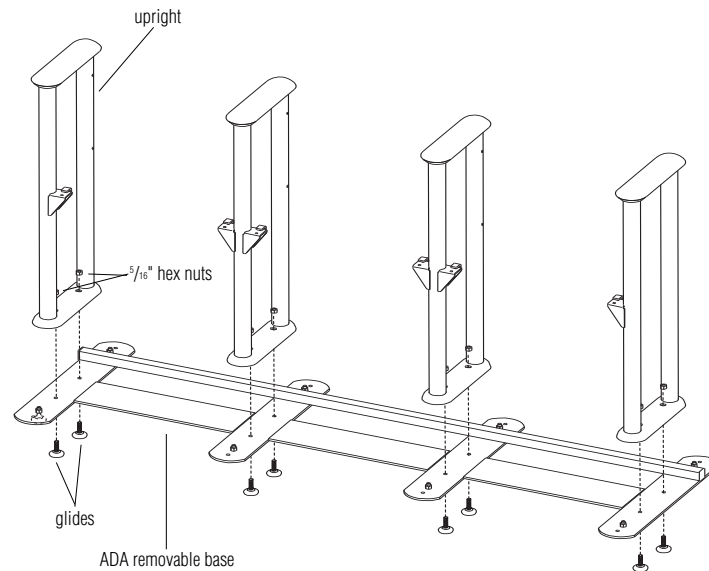


Figure A

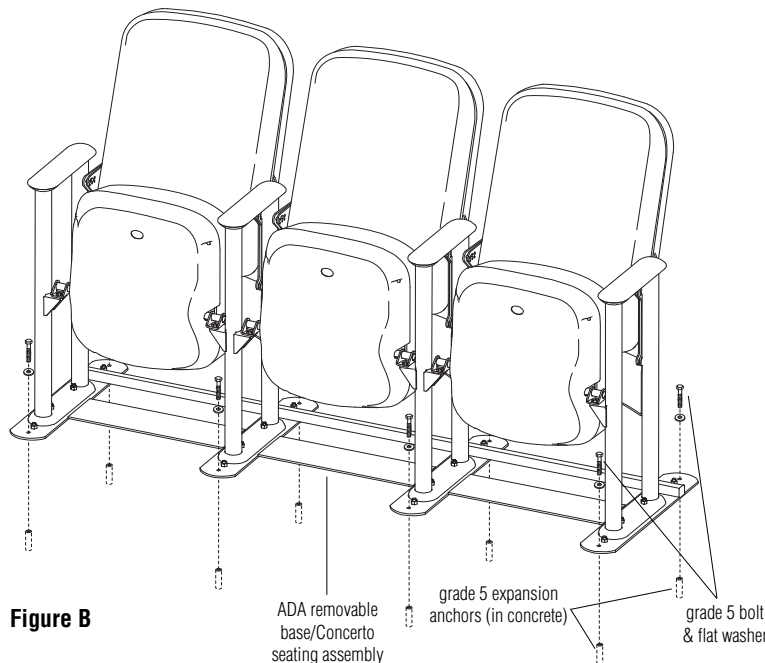


Figure B

Note: The instructions below detail the installation of the uprights to the ADA Removable Base using the glides and nuts provided. They will refer to sections of the standard Concerto Seating Assembly Instructions for completion. It is important to follow them during assembly.

1. Insert glides up through the ADA Base and the mounting holes in the foot of each upright. Secure the components together with $\frac{5}{16}$ " hex nuts on the glides (Figure A).
2. Refer to page 2 of the Concerto Seating Assembly Instructions. Follow instructions for Back Attachment and Seat Attachment as described. If equipped with accessories like tablet arms or end panels, refer to back page of the assembly instructions.
3. Place the assembled ADA Removable Base/Concerto Seating assembly in the desired location for mounting to the floor. Mark the location of the mounting holes on the floor and move the unit out of the way for drilling.
4. Drill mounting holes and install anchoring hardware in the floor. Follow the appropriate requirements in the Concerto Seating Assembly Instructions.
5. Reposition the unit and secure to the floor following the Floor Fastener Requirements in the Concerto Seating Assembly Instructions (Figure B).
6. For removal of the unit, remove the hardware that anchors the ADA Base to the floor and move the unit. To reinstall, repeat step 5 (Figure B).

Note: Take great care when removing and installing the unit. Damage to the anchoring hardware may result in expensive repairs to the floor and anchoring hardware.

Caution: Unit must be properly fastened to the floor. Failure to properly fasten unit to the floor may result in instability of the unit and personal injury.

Assemble units as described herein only. To do otherwise may result in instability. All screws, nuts and bolts must be tightened securely and must be checked periodically after assembly. Failure to assemble properly, or to secure parts may result in assembly failure and injury.

© KI 1997 Litho in USA Code KI-60501/KP297

