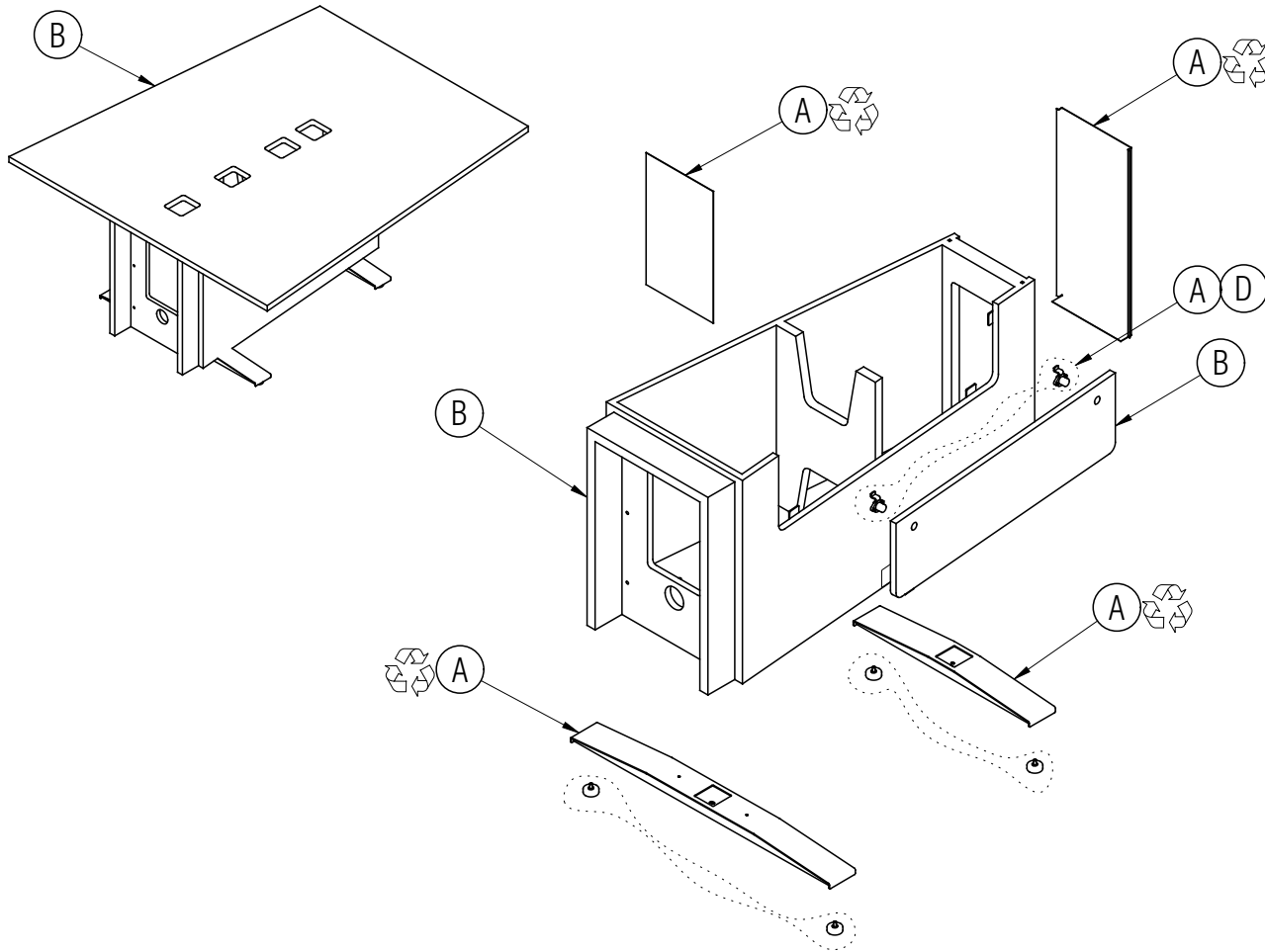


# Disassembly Instructions

## Backbone Media Platform



Material Type: A. Steel B. Plastic C. Wood / Particle Board D. Zinc



### Procedure:

1. Unlock the access door and pull it out of the base enclosure. Remove the screws holding the locks to the door and remove the locks.
2. Remove the screws holding the table top to the base enclosure and remove the top.
3. Remove the screws holding the perforated panels at each end of the enclosure and remove the panels.
4. Remove the screws holding the feet to the enclosure and remove the feet.
5. Remove the glides from each foot.

### General Notes:

1. Disassembly time: 15-20 minutes
2. This procedure assumes basic familiarity with hand tools and furniture terminology: no specialized training is required
3. All materials removed and disassembled shall be sorted and segregated with like materials and disposed of or recycled according to recycling availability or waste acceptance
4. For items to be recycled, refer to KI's End of Life Recycling Matrix and KI's End of Life Recovery Options Matrix, available at [www.ki.com](http://www.ki.com)

Fasteners not explicitly tagged or shown are Material Type A: Steel

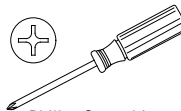
### Required Tools



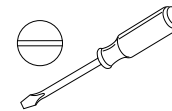
Gloves



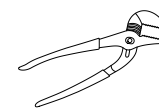
Safety Glasses



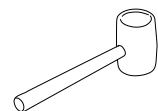
Phillips Screwdriver



Flat Screwdriver



Channel Lock Pliers



Rubber Mallet