

Assembly Instructions ■

Athens® Table

ATH4 & ATH5 Table Models

May 2011

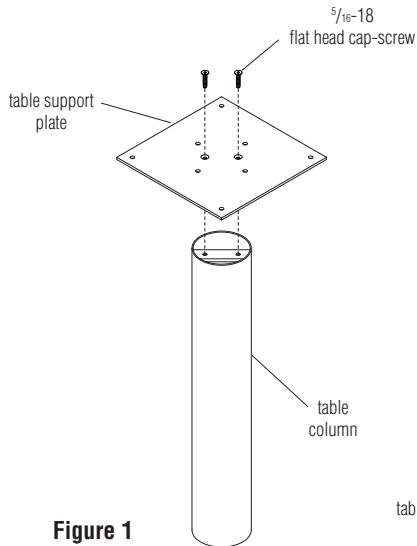


Figure 1

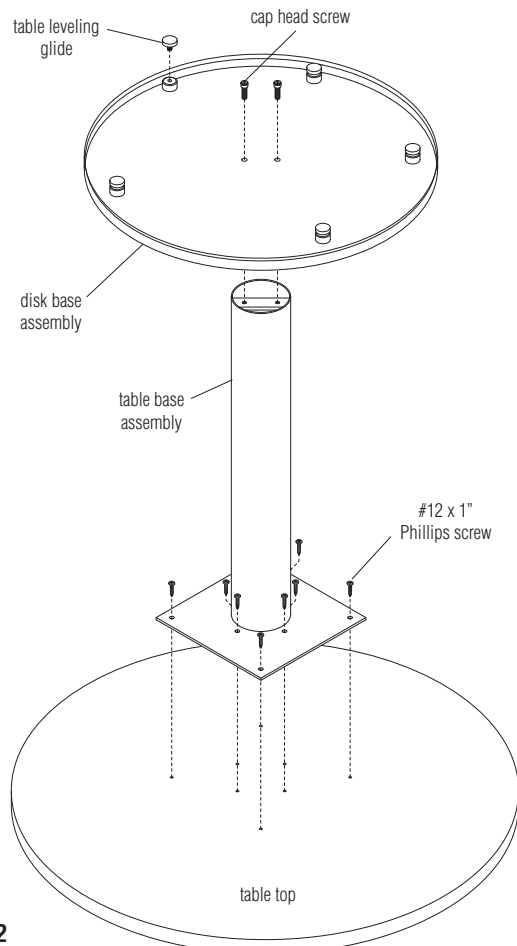


Figure 2

Tools Required:

- $\frac{3}{16}$ " hex driver
- $\frac{1}{4}$ " hex driver

1. Carefully remove contents from packaging and view Figures 1 & 2 to familiarize yourself with the table base parts. If the table support plate was shipped attached to the Athens base assembly, unbolt the two before beginning assembly.
2. Position the table support plate as illustrated over the table column. Make sure the tapered, counter-sunk holes in the plate are facing up for the screw heads to nest into. Attach the plate to the column using two $\frac{5}{16}$ -18 flat head cap-screws provided. Using a $\frac{3}{16}$ hex driver, tighten screws to between 20 and 25 foot pounds of force (Figure 1).
3. Carefully flip the table column assembly over so the table support plate is down. Position the disk base assembly over the table column as illustrated, aligning the mounting holes in the disk with the threaded strap in the column. Insert two cap screws through the disk and into the column, then thread in to secure. Tighten cap screws to between 20 and 25 foot pounds of force (Figure 2).
4. If not pre-installed, thread in five table leveling glides. Adjustment of glides may be necessary after table assembly is complete and table is set upright in its desired location (Figure 2).
5. Carefully set table top upside down onto a soft, protective surface. Position the table support plate of the table base assembly over the appropriate pre-drilled hole pattern in the underside of the worksurface. Secure using eight #12 x 1" Phillips pan head screws. Do not over-tighten (Figure 2).



Assemble units as described herein only. To do otherwise may result in instability. All screws, nuts and bolts must be tightened securely and must be checked periodically after assembly. Failure to assemble properly, or to secure parts may result in assembly failure and personal injury.